

0CD10-M49700EN

# PREFACE

1. This Parts Catalog is the 1st edition of 3TNA72L-USK Diesel Engine for SHIN MEIWA.

Pub. No. : 000Y00D4970

Published : February, 1995

2. Model name

Engine model	Vehicle		Vehicle made by
	Products	Model name	
3TNA72L-USK	TOWER WAGON	—	SHIN MEIWA

## Directions for the Parts Catalog.

1. The parts stipulated in this Parts Catalog are not necessarily standard equipped parts.
2. Parts may change without prior notice.
3. The following is an example of the Parts Catalog format.

REF.	LEV.	PARTS NO.	DESCRIPTION	Q'TY						I	R
				(A)	(B)	(C)	(D)	(E)	(F)		
1	1	729595-51390	FUEL INJECTION PUMP	1	1	1	1	1			1
1-1	1	729595-51391	FUEL INJECTION PUMP	1	1	1	1	1		N	1
		(A=E00185) (B=E00200)									
3	2	26022-060162	SCREW M 6X 16	9	9	9	9	9			
3-1	2	26022-060162	SCREW M 6X 16	4	4	4	4	4		K	
		(A=E00156) (B=E00156) (C=E00156) (D=E00156) (E=E00156)									
4	2	129470-51040	CAMSHAFT	1	1	1	1	1			
5	2	122710-51050	BEARING, ROLLER	2	2	2	2	2			
6	2	129470-51060	RETAINER	1	1	1	1	1			

Remarks
(1) BOOST COMPEMSATOR TYPE. OPTIONAL PART, TO E00155,(4JH-DT, 4JH-DTZ

### ① Ref. No.

The Ref. No. listed may not be in accordance with the illustration Ref. No.

(Ex.) Illustration No. List Ref No.

1 1 (Before change) → 1-1 (After change)

For interchangeable symbols N, R and K, illustrations for new parts may be abbreviated.

### ② Lev. (Level)

Level indication

The numbers below indicate the level of relativity towards the main part.

1 ---- Main parts (Assembly parts)

2 ---- Sub component included in " 1 ".

3 ---- Sub component included in " 2 ".

Note) Parts that are not for sale are partially illustrated but not listed.

### ③ Interchangeability Mark

When a part change takes place, one of the following interchangeability symbols is indicated beside the part.

Symbol	Interchangeability	Contents note
N	Old $\begin{matrix} \leftarrow \text{Yes} \\ \text{No} \rightarrow \end{matrix}$ New	New Part is interchangeable for Old Part but Old Part is not interchangeable for New Part.
Q	Old $\begin{matrix} \leftarrow \text{No} \\ \text{Yes} \rightarrow \end{matrix}$ New	New Part is not interchangeable for Old Part but Old Part is interchangeable for New Part.
R	Old $\begin{matrix} \leftarrow \text{Yes} \\ \text{Yes} \rightarrow \end{matrix}$ New	New/ Old Parts are both interchangeable.
S	Old $\begin{matrix} \leftarrow \text{No} \\ \text{No} \rightarrow \end{matrix}$ New	New/ Old Parts are both not interchangeable.
W		Part newly added.
Z		Part discontinued.
F		Not interchangeable by a single part but interchangeable together with related parts.
K		Changes only for used parts quantities.

### ④ Effective Machine No.

When a part changes, the effective Machine No. will be indicated in the (A)-(F) column.

Product Symbol	Product No.	Product Symbol	Product No.
C	Clutch No. Compressor No.	F	Machine No. (Agricultural Equip.)
D	Drive No.	M	Machine No.
E	Engine No.		

Note 1) A date may follow the symbol. (Ex.) 1996.01

Note 2) "XXXXX" and "ZZZZZ" are for parts that could not be predicted or for engine models that could not be identified.

Note 3) (A=E00185) is the E (Engine Serial Number) for the column (A) model (in this case 4JH-DT) after the parts design change.

### ⑤ Remarks Mark

Figures or alphabets (symbols) are entered in the remarks column.

The comments (remarks) on parts that are indicated at the bottom of the illustration are the same symbols as those stated above.

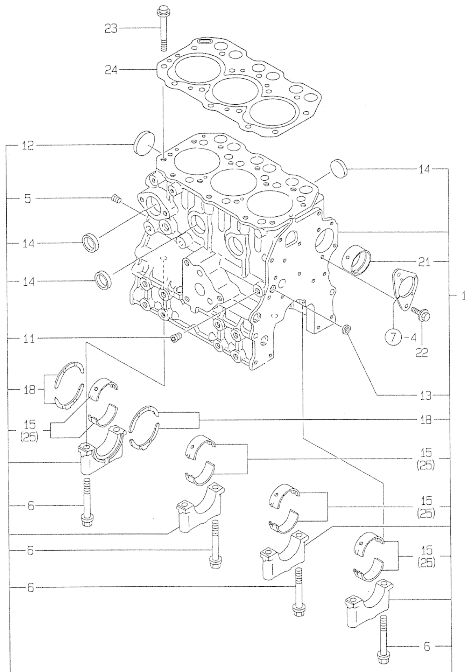
## Contents

Fig. No.	Fig. Name	Fig. No.	Fig. Name
ENGINE 3TNA72L-USK			
1.	CYLINDER BLOCK		
2.	GEAR HOUSING		
3.	MOUNTING FLANGE & OIL SUMP		
4.	CYLINDER HEAD & BONNET		
5.	SUC.MANIFOLD & AIR CLEANER		
6.	EXHAUST MANIFOLD		
7.	CAMSHAFT & DRIVING GEAR		
8.	CRANKSHAFT & PISTON		
9.	LUB.OIL SYSTEM		
10.	COOLING WATER SYSTEM		
11.	FUEL INJECTION PUMP		
12.	GOVERNOR		
13.	FUEL INJECTION VALVE		
14.	FUEL FILTER		
15.	ENGINE STOP DEVICE		
16.	STARTING MOTOR		
17.	GENERATOR		
18.	GASKET SET		

OCD10-M49700

Fig.1. CYLINDER BLOCK

Y0004970  
37NA72L-USK



No.	Lev.	Parts No.	Description	Q'ty						I	R
				(A)	(B)	(C)	(D)	(E)	(F)		
1	1	719610-01561	BLOCK ASSY, CYLINDER	1							
5	2	119600-01050	PLUG, PT 1/4	1							
6	2	119620-02020	BOLT, METAL CAP	8							
11	2	23871-010000	PLUG, R01	1							
12	2	27231-450000	PLUG 45	1							
13	2	27241-120000	PLUG, 12	1							
14	2	27241-300000	PLUG 30	6							
15	2	719620-02800	BEARING, MAIN	4							
18	2	719620-02930	BEARING, THRUST	2							
21	2	119620-02410	BUSH, CAMSHAFT	1							
22	1	26106-060122	BOLT, M6X 12 PLATED	2							
23	1	119620-01200	BOLT, HEAD	14							
24	1	119620-01342	GASKET, HEAD	1							G
25	1	719620-02870	BEARING, 0.25 US	4							1

Remarks

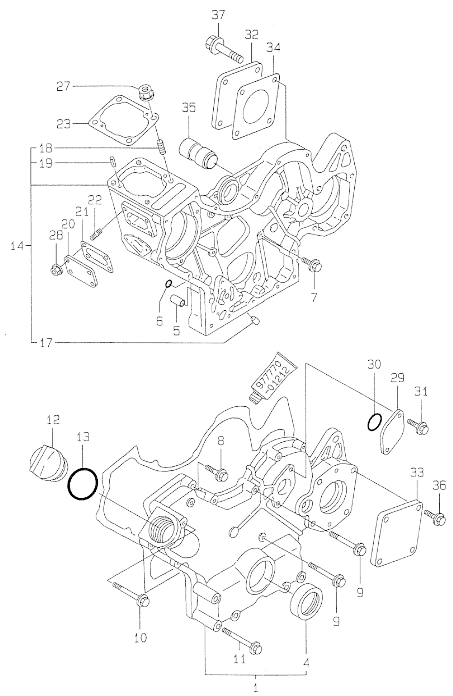
(1) UNDER-SIZE(U.S=0.25)PART.  
(G) THESE PARTS ARE SOLD BY FIG.18,  
REF.NO.1.

N:Old  $\frac{100}{100}$  New, Q:Old  $\frac{100}{100}$  New, R:Old  $\frac{100}{100}$  New, S:Old  $\frac{100}{100}$  New, W:Add, Z:Discontinued, F:Interchangeable by set, K:Qty Change  
Copyright (C) YANMAR CO., LTD. All Rights Reserved.

OCD10-M49700

Fig.2. GEAR HOUSING

Y0004970  
37NA72L-USK



No.	Lev.	Parts No.	Description	Q'ty						I	R
				(A)	(B)	(C)	(D)	(E)	(F)		
1	1	119621-01590	COVER ASSY,GEAR CASE	1							
4	2	119620-01800	SEAL, OIL	1							
5	1	119660-01911	PIPE, KNOCK	4							
6	1	24311-000120	O-RING, 1AP12.0	2							G
7	1	26106-060162	BOLT, M6X 16 PLATED	7							
8	1	26106-060302	BOLT, M6X 30 PLATED	6							
9	1	26106-060602	BOLT, M6X 60 PLATED	3							
10	1	26106-060602	BOLT, M6X 60 PLATED	1							
11	1	26106-060802	BOLT, M6X 80 PLATED	6							
12	1	124160-01751	COVER, FILLER	1							
13	1	24311-000320	O-RING, 1AP32.0	1							G
14	1	119600-01501	CASE ASSY, GEAR	1							
17	2	119660-01510	PLUG, 10X14	1							
18	2	121450-01560	STUD, M8X22	4							
19	2	22351-040010	PIN, SPRING 4.0X10	2							
20	1	119660-01551	COVER	1							
21	1	119660-01562	GASKET	1							G
22	1	119660-01570	STUD, M6X12	4							
23	1	119620-01950	SHIM SET, ADJUSTING	1							
27	1	194990-22050	NUT, M8	4							
28	1	26366-060002	NUT, M6	4							
29	1	121023-01550	COVER	1							
30	1	24341-000240	O-RING, 1AS24.0	1							G
31	1	26106-060182	BOLT, M6X 18 PLATED	2							
32	1	124240-01871	COVER	1							
33	1	124240-01871	COVER	1							
34	1	124240-01883	GASKET	1							
35	1	119621-26140	PLUG	1							
36	1	26106-080122	BOLT, M8X 12 PLATED	4							
37	1	26106-080402	BOLT, M8X 40 PLATED	4							

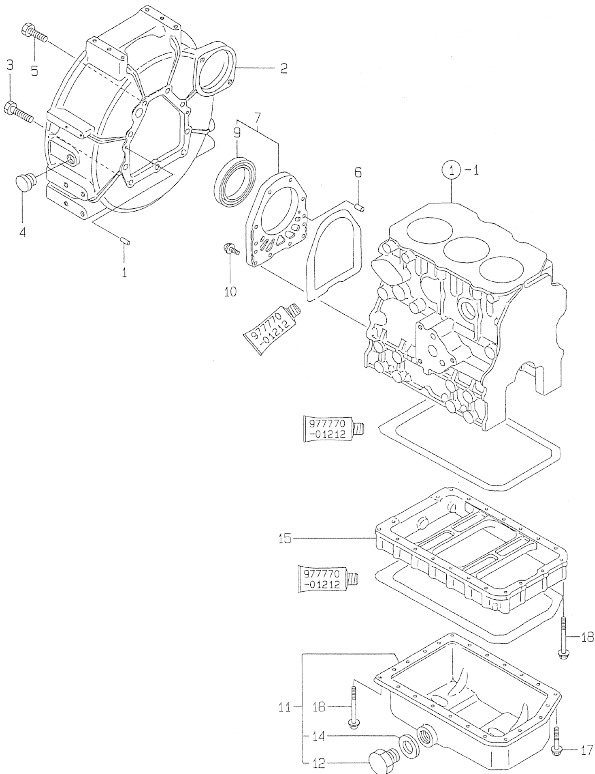
Remarks  
(G) THESE PARTS ARE SOLD BY FIG.18,  
REF.NO.1.

N:Old  $\frac{New}{Old}$  New, Q:Old  $\frac{New}{Old}$  New, R:Old  $\frac{New}{Old}$  New, S:Old  $\frac{New}{Old}$  New, W:Add, Z:Discontinued, F:Interchangeable by set, K:Qty Change  
Copyright (C) YANMAR CO., LTD. All Rights Reserved.

OCD10-M49700

Fig.3. MOUNTING FLANGE & OIL SUMP

Y0004970  
3TNA72L-USK



No.	Lev.	Parts No.	Description	Q'ty						I	R
				(A)	(B)	(C)	(D)	(E)	(F)		
1	1	129100-01580	PIN, M8X16		2						
2	1	119660-01610	HOUSING, FLYWHEEL		1						
3	1	121120-01620	BOLT, M10X28		3						
4	1	119620-01750	CAP		1						
5	1	26206-100252	BOLT, M10X 25 PLATED		6						
6	1	119620-01620	PIN, M6X10		2						
7	1	119660-01640	CASE ASSY, OIL SEAL		1						
9	2	124085-02220	SEAL, OIL		1						
10	1	26106-060222	BOLT, M6X 22 PLATED		10						
11	1	719631-01540	SUMP ASSY, OIL		1						
12	2	119640-01640	PLUG, DRAIN M22		1						
14	2	22190-220002	WASHER, SEAL 22		1						
15	1	119600-01722	SPACER, OIL SUMP		1						
17	1	26106-060122	BOLT, M6X 12 PLATED		3						
18	1	26106-060452	BOLT, M6X 45 PLATED		20						

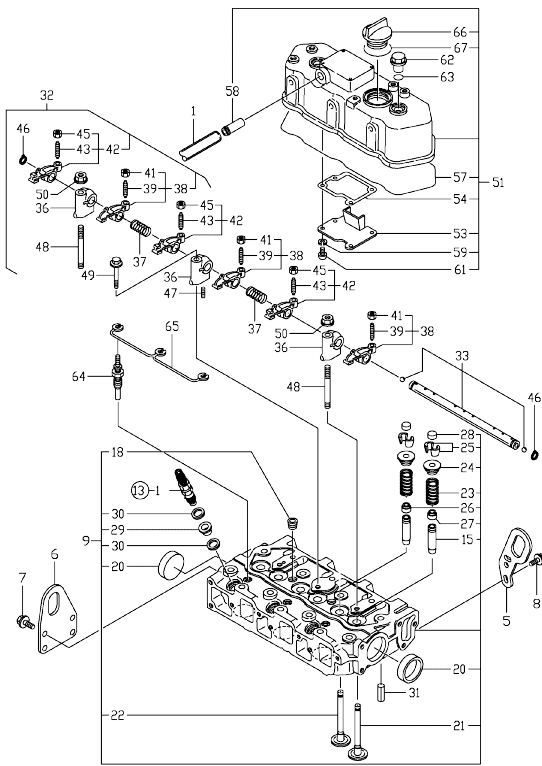
N:Old  $\frac{New}{Old}$  New, Q:Old  $\frac{New}{Old}$  New, R:Old  $\frac{New}{Old}$  New, S:Old  $\frac{New}{Old}$  New, W:Add, Z:Discontinued, F:Interchangeable by set, K:Q'ty Change  
Copyright (C) YANMAR CO., LTD. All Rights Reserved.

OCD10-M49700

Fig.4. CYLINDER HEAD & BONNET

Y00D4970  
3TNA72L-USK

4 シリンダヘッド @ ボンネット  
CYLINDER HEAD @ BONNET



Remarks

(1) REPAIR PART.  
(G) THESE PARTS ARE SOLD BY FIG.18,  
REF.NO.1.

(A)=3TNA72L-USK  
(B)=  
(C)=

(D)=  
(E)=  
(F)=

No.	Lev.	Parts No.	Description	Q'ty						I	R
				(A)	(B)	(C)	(D)	(E)	(F)		
1	1	23065-120500	PIPE, 12X 500	1							
5	1	119260-07900	LIFTER	1							
6	1	119632-07900	LIFTER	1							
7	1	26106-060122	BOLT, M6X 12 PLATED	4							
8	1	26106-080142	BOLT, M8X 14 PLATED	1							
9	1	719620-11701	HEAD ASSY, CYLINDER	1							
15	2	119620-11801	GUIDE, VALVE	6							1
18	2	121850-11860	PLUG, PT1/4	2							
20	2	27241-400000	PLUG, 40	2							
21	2	119620-11100	VALVE, INTAKE	3							
22	2	119620-11110	VALVE, EXHAUST	3							
23	2	119620-11120	SPRING, VALVE	6							
24	2	119620-11180	RETAINER, SPRING	6							
25	2	101158-11190	COTTER	6							
26	2	124160-11340	SEAL, VALVE STEM	3							G
27	2	124950-11340	SEAL, VALVE STEM	3							G
28	2	104211-11370	CAP, VALVE	6							
29	2	119600-11450	PROTECTOR, NOZZLE	3							G
30	2	119600-11460	GASKET, NOZZLE	6							G
31	1	22351-060012	PIN, SPRING 6.0X12	2							
32	1	119620-11200	SUPPORT ASSY, ARM	1							
33	2	119620-11240	SHAFT ASSY, ROCKER	1							
36	2	119620-11260	SUPPORT, ROCKER ARM	3							
37	2	119620-11280	SPRING	2							
38	2	719620-11650	ARM ASSY, ROCKER	3							
39	3	105010-11230	SCREW, VALVE ADJUST	3							
41	3	26756-060002	NUT, LOCK M6	3							
42	2	719620-11660	ARM ASSY, ROCKER	3							
43	3	105010-11230	SCREW, VALVE ADJUST	3							
45	3	26756-060002	NUT, LOCK M6	3							
46	2	22242-000120	RING, 12	2							
47	2	26979-050162	SCREW, M5X16	1							
48	1	119620-11350	STUD	2							
49	1	26106-080452	BOLT, M8X 45 PLATED	1							
50	1	26366-080002	NUT, M8	2							
51	1	119620-11330	BONNET ASSY, HEAD	1							
53	2	119620-03020	PLATE, SHELTER	1							
54	2	119620-03031	GASKET	1							G
57	2	119620-11310	GASKET, BONNET	1							G
58	2	119620-11390	JOINT	1							
59	2	22217-050000	WASHER, SPRING 5	4							
61	2	26557-050102	SCREW, M5X10	4							
62	1	124160-11360	KNOB	2							
63	1	24311-000120	O-RING, 1AP12.0	2							G
64	1	119660-77800	PLUG, GLOW	3							
65	1	119620-77820	CONNECTOR, GLOW PLUG	1							
66	1	124160-01751	COVER, FILLER	1							
67	1	24311-000320	O-RING, 1AP32.0	1							

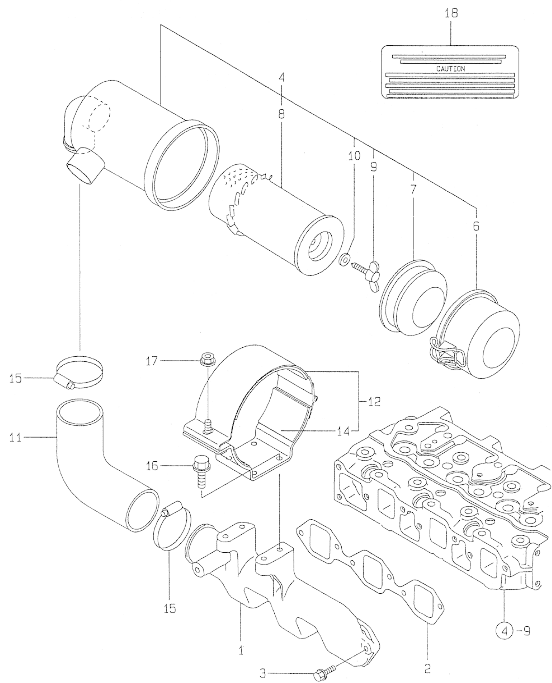
N:Old  $\frac{100}{100}$  New, Q:Old  $\frac{100}{100}$  New, R:Old  $\frac{100}{100}$  New, S:Old  $\frac{100}{100}$  New, W:Add, Z:Discontinued, F:Interchangeable by set, K:Q'ty Change  
Copyright (C) YANMAR CO., LTD. All Rights Reserved.



OCD10-M49700

Fig.5. SUC.MANIFOLD & AIR CLEANER

Y0004970  
3TNA72L-USK



No.	Lev.	Parts No.	Description	Q'ty						I	R
				(A)	(B)	(C)	(D)	(E)	(F)		
1	1	119645-12100	MANIFOLD, AIR INTAKE	1							
2	1	119620-12111	GASKET, MANIFOLD	1							G
3	1	26106-060202	BOLT, M6X 20 PLATED	6							
4	1	119632-12501	CLEANER ASSY, AIR	1							
6	2	121024-12660	PAN ASSY, DUST	1							
7	2	121465-12700	RETAINER, ELEMENT	1							
8	2	121465-12510	ELEMENT	1							
9	2	124064-12680	BOLT	1							
10	2	124064-12690	WASHER	1							
11	1	119632-12551	PIPE, AIR INTAKE	1							
12	1	119632-12590	SUPPORT ASSY,CLEANER	1							
14	2	119640-12580	SEAT, RUBBER	2							
15	1	23000-060000	CLAMP, 60	2							
16	1	26014-080202	BOLT, M8X 20	4							
17	1	26366-080002	NUT, M8	1							
18	1	171064-12600	LABEL, AIR CLEANER	1							

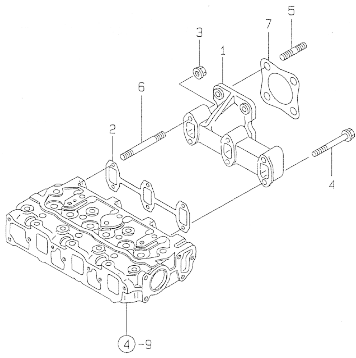
Remarks  
(G) THESE PARTS ARE SOLD BY FIG.18,  
REF.NO.1.

N:Old  $\frac{Y00}{100}$  New, Q:Old  $\frac{H0}{100}$  New, R:Old  $\frac{Y00}{100}$  New, S:Old  $\frac{H0}{100}$  New, W:Add, Z:Discontinued, F:Interchangeable by set, K:Q'ty Change  
Copyright (C) YANMAR CO., LTD. All Rights Reserved.

OCD10-M49700

Fig.6. EXHAUST MANIFOLD

Y0004970  
3TNA72L-USK



No.	Lev.	Parts No.	Description	Q'ty						I	R
				(A)	(B)	(C)	(D)	(E)	(F)		
1	1	119600-13100	MANIFOLD, EXHAUST	1							
2	1	119620-13110	GASKET	1							G
3	1	194990-22050	NUT, M8	2							
4	1	26106-080402	BOLT, M8X 40 PLATED	4							
5	1	26216-080222	STUD, M8X 22	4							
6	1	26216-080552	STUD, M8X 55	2							
7	1	121000-13201	GASKET, SILENCER	1							G

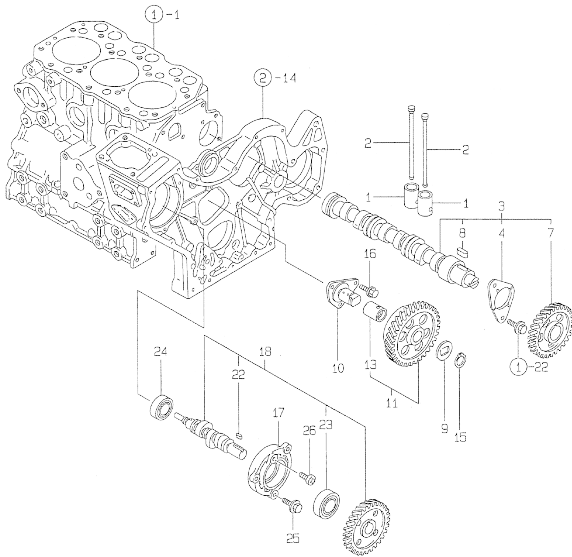
Remarks  
(G) THESE PARTS ARE SOLD BY FIG.18,  
REF.NO.1.

N:Old  $\frac{Y00}{10}$  New. Q:Old  $\frac{H0}{100}$  New. R:Old  $\frac{Y00}{100}$  New. S:Old  $\frac{H0}{100}$  New. W:Add. Z:Discontinued. F:Interchangeable by set. K:Q'ty Change  
Copyright (C) YANMAR CO., LTD. All Rights Reserved.

OCD10-M49700

Fig.7. CAMSHAFT & DRIVING GEAR

Y00G4970  
3TN472L-USK



No.	Lev.	Parts No.	Description	Q'ty						I	R
				(A)	(B)	(C)	(D)	(E)	(F)		
1	1	119620-14200	TAPPET	6							
2	1	119620-14401	ROD, PUSH	6							
3	1	119629-14580	CAMSHAFT ASSY	1							
4	2	119620-02450	BEARING, THRUST	1							
7	2	119620-14100	GEAR, CAMSHAFT	1							
8	2	22512-040120	KEY, 4X 12	1							
9	1	119660-25022	RETAINER	1							
10	1	119660-25052	SHAFT, IDLE	1							
11	1	119620-25102	GEAR ASSY, IDLE	1							
13	2	119620-25912	BUSH	1							1
15	1	22242-000200	RING, 20	1							
16	1	26106-060122	BOLT, M6X 12 PLATED	3							
17	1	119660-01821	BEARING, FUEL CAM	1							
18	1	719660-14590	CAMSHAFT	1							
22	2	22512-040120	KEY, 4X 12	1							
23	2	24102-063034	BEARING, BALL 6303U	1							
24	1	24101-062034	BEARING, BALL 6203	1							
25	1	26106-060162	BOLT, M6X 16 PLATED	3							
26	1	26587-080102	SCREW, M8X10	1							

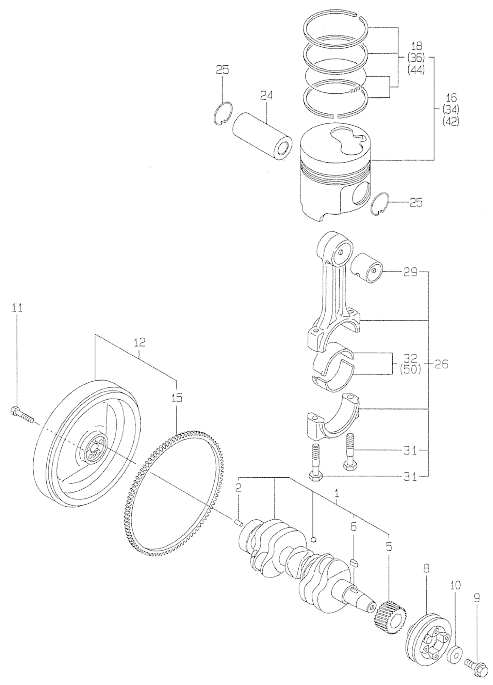
Remarks  
(1) REPAIR PART.

N:Old  $\frac{New}{Old}$  New, Q:Old  $\frac{New}{Old}$  New, R:Old  $\frac{New}{Old}$  New, S:Old  $\frac{New}{Old}$  New, W:Add, Z:Discontinued, F:Interchangeable by set, K:Qty Change  
Copyright (C) YANMAR CO., LTD. All Rights Reserved.

OCD10-M49700

Fig.8. CRANKSHAFT & PISTON

Y66049.70  
3TKA72L-USK



No.	Lev.	Parts No.	Description	Q'ty						I	R
				(A)	(B)	(C)	(D)	(E)	(F)		
1	1	119660-21710	CRANKSHAFT ASSY	1							
2	2	129100-01580	PIN, M8X16	1							
5	2	119660-21201	GEAR, CRANKSHAFT	1							
6	2	22512-040120	KEY, 4X 12	1							
8	1	119660-21651	V-PULLEY	1							
9	1	119621-21680	BOLT, FLANGE 12X1.25	1							
10	1	119620-21941	WASHER	1							
11	1	121111-21501	BOLT, FLYWHEEL	5							
12	1	119688-21590	FLYWHEEL ASSY	1							
15	2	119865-21600	GEAR, RING	1							
16	1	119620-22090	PISTON ASSY	3							
18	2	719620-22500	RING SET, PISTON	3							
24	1	119620-22300	PIN, PISTON	3							
25	1	22252-000210	RING, 21	6							
26	1	719620-23100	ROD ASSY, CONNECTING	3							
29	2	119620-23910	BEARING, PISTON PIN	3							1
31	2	105225-23200	BOLT, CONNECTING ROD	6							
32	2	719620-23600	BEARING, CRANK PIN	3							
34	1	119620-22900	PISTON ASSY, 0.25 OS	3							2
36	2	119620-22950	RING SET, 0.25 OS	3							2
42	1	119620-22920	PISTON ASSY, 0.50 OS	3							3
44	2	119620-22970	RING SET, 0.50 OS	3							3
50	1	719620-23610	BEARING ASSY, 0.25	3							4

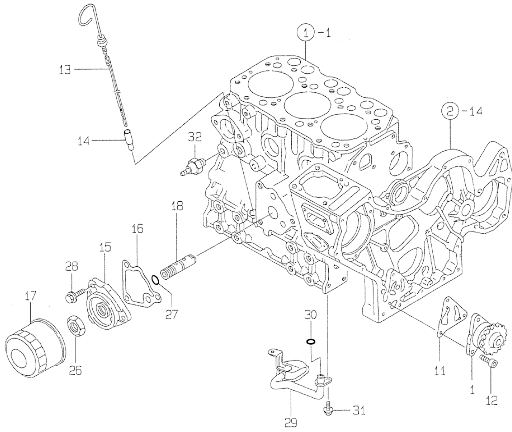
Remarks  
 (1) REPAIR PART.  
 (2) OVER-SIZE(O.S=0.25)PART.  
 (3) OVER-SIZE(O.S=0.50)PART.  
 (4) UNDER-SIZE(U.S=0.25)PART.

N:Old  $\frac{100}{100}$  New. Q:Old  $\frac{100}{100}$  New. R:Old  $\frac{100}{100}$  New. S:Old  $\frac{100}{100}$  New. W:Add. Z:Discontinued. F:Interchangeable by set. K:Q'ty Change  
 Copyright (C) YANMAR CO., LTD. All Rights Reserved.

OCD10-M49700

Fig.9. LUB.OIL SYSTEM

Y00C4970  
3TNA72L-USK



No.	Lev.	Parts No.	Description	Q'ty						I	R
				(A)	(B)	(C)	(D)	(E)	(F)		
1	1	119660-32001	PUMP ASSY, OIL	1							
11	1	119660-32020	GASKET, PUMP	1							G
12	1	26450-060202	BOLT, M6X 20	3							
13	1	119600-34800	DIPSTICK, OIL	1							
14	1	121520-34810	GUIDE, DIPSTICK	1							
15	1	119660-35102	BRACKET, FILTER	1							
16	1	119660-35113	GASKET	1							G
17	1	119305-35150	FILTER, OIL	1							
18	1	119660-35300	VALVE ASSY, CONTROL	1							
26	1	129150-35350	NUT	1							
27	1	24311-000160	O-RING, 1AP16.0	1							
28	1	26106-080202	BOLT, M8X 20 PLATED	3							
29	1	119600-35081	PIPE ASSY, OIL INLET	1							
30	1	24311-000120	O-RING, 1AP12.0	1							
31	1	26106-060102	BOLT, M6X 10 PLATED	2							
32	1	124160-39450	SWITCH, 0.5KG	1							

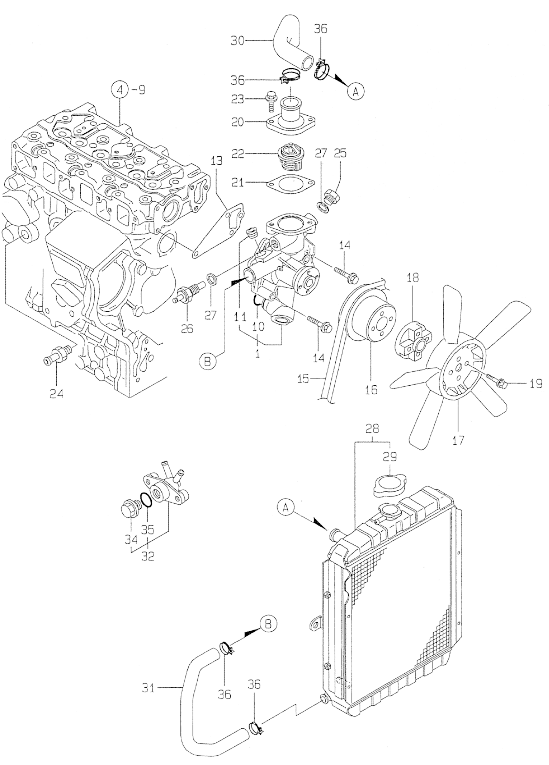
Remarks  
(G) THESE PARTS ARE SOLD BY FIG.18,  
REF.NO.1.

N:Old  $\frac{100}{100}$  New, Q:Old  $\frac{100}{100}$  New, R:Old  $\frac{100}{100}$  New, S:Old  $\frac{100}{100}$  New, W:Add, Z:Discontinued, F:Interchangeable by set, K:Qty Change  
Copyright (C) YANMAR CO., LTD. All Rights Reserved.

OCD10-M49700

Fig.10. COOLING WATER SYSTEM

Y0004570  
37NA72L-USK



No.	Lev.	Parts No.	Description	Q'ty						I	R
				(A)	(B)	(C)	(D)	(E)	(F)		
1	1	119660-42004	PUMP ASSY, WATER	1							
10	2	119620-42320	O-RING	1							
11	2	23871-030000	PLUG, R03	1							
13	1	119620-42020	GASKET, WATER PUMP	1							G
14	1	26106-080452	BOLT, M8X 45 PLATED	4							
15	1	119656-42291	V-BELT, 36	1							
16	1	119660-42350	V-PULLEY	1							
17	1	124700-44740	FAN, COOLING 5X310	1							
18	1	124574-44761	SPACER, FAN	1							
19	1	26106-060202	BOLT, M6X 20 PLATED	4							
20	1	129350-49530	COVER, THERMOSTAT	1							
21	1	129350-49541	GASKET	1							G
22	1	129350-49800	THERMOSTAT, 71	1							
23	1	26106-080202	BOLT, M8X 20 PLATED	2							
24	1	121550-49111	JOINT, PT1/4	1							
25	1	121450-42450	PLUG, M16	1							
26	1	121250-44901	SWITCH, 110	1							
27	1	124465-44950	GASKET, 16	2							G
28	1	119600-44500	RADIATOR	1							
29	2	124450-44590	CAP, RADIATOR	1							
30	1	119645-49010	PIPE, WATER	1							
31	1	119280-49020	PIPE, WATER	1							
32	1	121450-49110	COCK ASSY, 3-WAY	1							
34	2	121250-49121	PLUG, DRAIN	1							
35	2	24311-000160	O-RING, 1AP16.0	1							
36	1	23010-038000	CLAMP, 38	4							

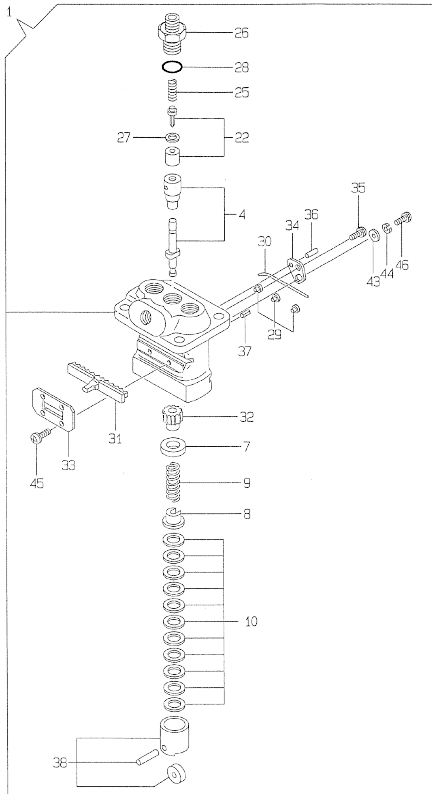
Remarks  
(G) THESE PARTS ARE SOLD BY FIG.18,  
REF.NO.1.

N:Old  $\frac{100}{100}$  New, Q:Old  $\frac{100}{100}$  New, R:Old  $\frac{100}{100}$  New, S:Old  $\frac{100}{100}$  New, W:Add, Z:Discontinued, F:Interchangeable by set, K:Qty Change  
Copyright (C) YANMAR CO., LTD. All Rights Reserved.

OCD10-M49700

Fig.11. FUEL INJECTION PUMP

Y0014970  
3TNA72L-USK



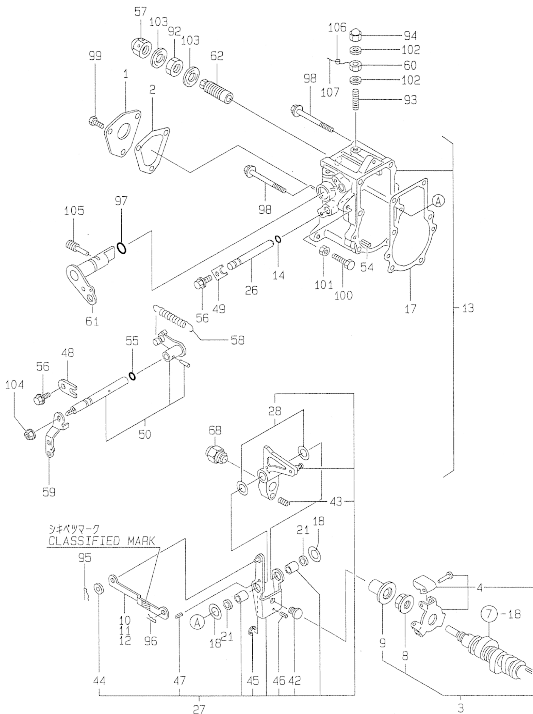
No.	Lev.	Parts No.	Description	Q'ty						I	R
				(A)	(B)	(C)	(D)	(E)	(F)		
1	1	719621-51100	PUMP ASSY, INJECTION	1							
4	2	119620-51101	PLUNGER ASSY	3							
7	2	119620-51170	RETAINER, SPRING A	3							
8	2	119620-51180	RETAINER, SPRING B	3							
9	2	119620-51190	SPRING, PLUNGER	3							
10	2	119620-51250	SHIM SET	3							
22	2	119620-51300	VALVE ASSY, DELIVERY	3							
25	2	105546-51330	SPRING, DELIVERY	3							
26	2	119620-51340	HOLDER, DELIVERY	3							
27	2	119620-51350	GASKET	3							
28	2	119620-51370	O-RING	3							
29	2	119620-51450	PIECE	3							
30	2	119620-51461	PIN	1							
31	2	119660-51500	RACK, CONTROL	1							
32	2	119620-51510	PINION	3							
33	2	119660-51530	RETAINER, RACK	1							
34	2	119620-51650	PLATE	2							
35	2	119620-51660	SCREW	2							
36	2	119620-51670	PIN	2							
37	2	119620-51680	PIN	1							
38	2	119620-51700	TAPPET ASSY	3							
43	2	22137-040000	WASHER, 4	2							
44	2	22217-040000	WASHER, SPRING 4	2							
45	2	26022-040082	SCREW, M4X 8	4							
46	2	26587-040102	SCREW, M4X10	2							

N:Old  $\frac{100}{100}$  New, Q:Old  $\frac{100}{100}$  New, R:Old  $\frac{100}{100}$  New, S:Old  $\frac{100}{100}$  New, W:Add, Z:Discontinued, F:Interchangeable by set, K:Q'ty Change  
Copyright (C) YANMAR CO., LTD. All Rights Reserved.

OCD10-M49700

Fig.12. GOVERNOR

Y06D4970  
3TNA72L-USK



Remarks  
(1) SELECTIVE PART: CERTAIN THE CLASSIFICATION MARK, THEN PLACE YOUR ORDER. (REFER TO ILLUSTRATION).

No.	Lev.	Parts No.	Description	Q'ty						I	R
				(A)	(B)	(C)	(D)	(E)	(F)		
1	1	119660-61060	COVER, GOVERNOR CASE	1							
2	1	119660-61071	GASKET	1							
3	1	119600-61100	DRIVE ASSY	1							
4	2	119600-61200	WEIGHT ASSY, GOVERNOR	1							
8	2	119660-61300	NUT	1							
9	2	119660-61341	SLEEVE	1							
10	1	119660-61121	LINK, NO MARK	1							1
11	1	119660-61140	LINK, MARK :2	1							1
12	1	119660-61150	LINK, MARK :3	1							1
13	1	119270-61200	CASE ASSY, GOVERNOR	1							
14	2	129155-51280	O-RING, S6	1							
17	2	119660-61052	GASKET	1							
18	2	119660-61460	SHIM SET	1							
21	2	129155-61480	SPACER ASSY	2							
26	2	119660-61491	SHAFT	1							
27	2	119600-61500	LEVER ASSY, GOVERNOR	1							
28	3	174307-51700	SHIM SET	2							
42	3	119600-61540	SHIFTER	1							
43	3	119600-61650	SPRING, STARTING	1							
44	3	22117-040000	WASHER, 4	1							
45	3	22272-000040	RING, E- 4	1							
46	3	22351-020004	PIN, SPRING 2.0X 4	1							
47	3	22351-030014	PIN, SPRING 3.0X14	1							
48	2	119600-61900	RETAINER, SHAFT	1							
49	2	119660-61901	RETAINER, SHAFT	1							
50	2	119621-66091	SHAFT ASSY	1							
54	2	22351-040010	PIN, SPRING 4.0X10	2							
55	2	24341-000070	O-RING, 1A57.0	1							
56	2	26106-060102	BOLT, M6X 10 PLATED	2							
57	1	129100-61930	NUT, CAP	1							
58	1	119600-66020	SPRING, REGULATOR	1							
59	1	119621-66051	LEVER, REGULATOR	1							
60	1	124550-66370	NUT, M6	1							
61	1	119600-66521	HANDLE, STOP	1							
62	1	119600-66530	LIMITER ASSY, FUEL	1							
68	1	119600-66720	ANGLEICH ASSY	1							
92	1	26776-120002	NUT, LOCK M12	1							
93	1	171002-66830	SCREW	1							
94	1	119600-66840	NUT, CAP	1							
95	1	22360-040000	PIN, SNAP 4	1							
96	1	22360-060000	PIN, SNAP 6	1							
97	1	24311-240100	O-RING, 1AP10A	1							
98	1	26106-060702	BOLT, M6X 70 PLATED	6							
99	1	26116-050102	BOLT, M5X 10 PLATED	3							
100	1	26116-060304	BOLT, M6X 30 PLATED	1							
101	1	26756-060002	NUT, LOCK M6	1							
102	1	22190-060003	WASHER, SEAL 12	2							
103	1	22190-120002	WASHER, SEAL 12	2							
104	1	194990-22050	NUT, M8	1							
105	1	124250-03640	SCREW	1							
106	1	135210-61090	LEAD	1							

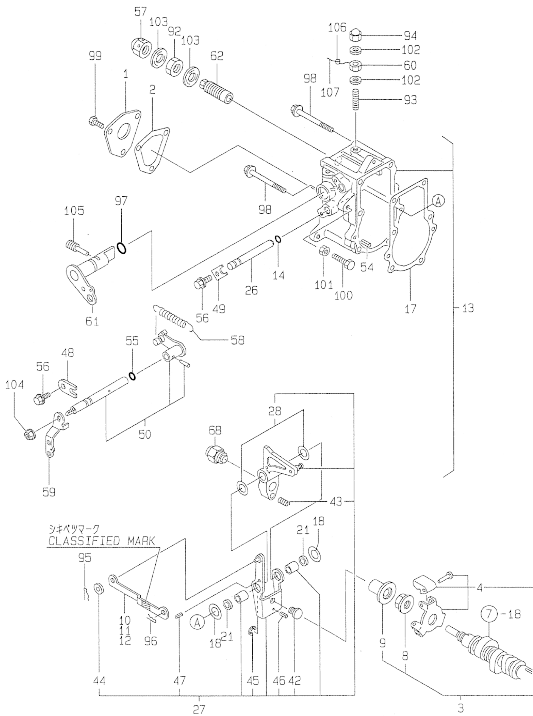
N:Old  $\frac{New}{Old}$  New, Q:Old  $\frac{New}{Old}$  New, R:Old  $\frac{New}{Old}$  New, S:Old  $\frac{New}{Old}$  New, W:Add, Z:Discontinued, F:Interchangeable by set, K:Qty Change  
 ++ CONTINUE ++  
 Copyright (C) YANMAR CO., LTD. All Rights Reserved.



OCD10-M49700

Fig.12. GOVERNOR

Y0604970  
3TNA72L-USK



No.	Lev.	Parts No.	Description	Q'ty						I	R
				(A)	(B)	(C)	(D)	(E)	(F)		
107	1	22451-060000	WIRE, 0.6	1							

Remarks

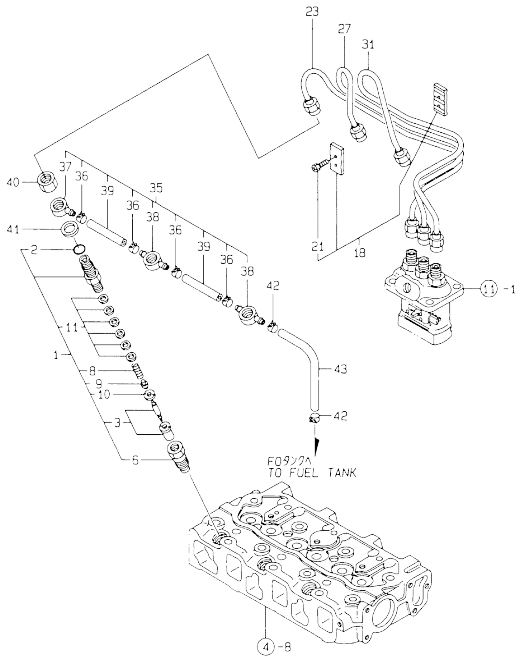
(1) SELECTIVE PART: CERTAIN THE CLASSIFICATION MARK, THEN PLACE YOUR ORDER. (REFER TO ILLUSTRATION).

N:Old  $\frac{Y06}{10}$  New, Q:Old  $\frac{H6}{100}$  New, R:Old  $\frac{Y06}{100}$  New, S:Old  $\frac{H0}{10}$  New, W:Add, Z:Discontinued, F:Interchangeable by set, K:Qty Change  
Copyright (C) YANMAR CO., LTD. All Rights Reserved.

OCD10-M49700

Fig.13. FUEL INJECTION VALVE

Y3004970  
3TNA72L-USK



No.	Lev.	Parts No.	Description	Q'ty						I	R
				(A)	(B)	(C)	(D)	(E)	(F)		
1	1	719255-53100	VALVE ASSY,INJECTION	3							
2	2	129155-51580	O-RING	3							G
3	2	119620-53000	VALVE ASSY,INJECTION	3							
6	2	119620-53080	NUT, NOZZLE	3							
8	2	119620-53120	SPRING, NOZZLE	3							
9	2	114250-53130	SEAT, SPRING	3							
10	2	119620-53140	SPACER, VALVE STOP	3							
11	2	114250-53400	SHIM SET	3							
18	1	129150-59120	RETAINER, PIPE	1							
21	2	129150-59131	BOLT, M4X14	2							
23	1	119620-59811	PIPE ASSY, INJECTION	1							
27	1	119620-59821	PIPE ASSY, INJECTION	1							
31	1	119620-59831	PIPE ASSY, INJECTION	1							
35	1	119620-59540	PIPE ASSY, FUEL	1							
36	2	124066-59100	CLIP, HOSE 8	4							
37	2	119260-59520	JOINT	1							
38	2	119260-59530	JOINT	2							
39	2	105025-59550	PIPE, FUEL RETURN	2							
40	1	119620-59700	NUT, NOZZLE	3							
41	1	23414-140000	GASKET, 14X1.0	3							G
42	1	124066-59100	CLIP, HOSE 8	2							
43	1	105425-59110		1							

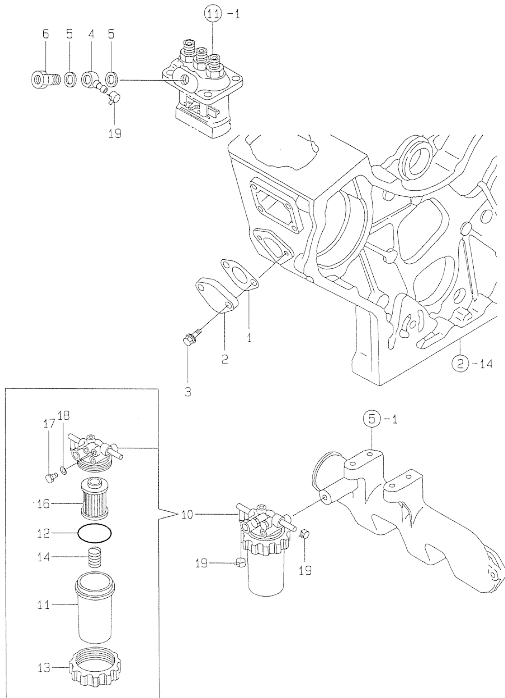
Remarks  
(G) THESE PARTS ARE SOLD BY FIG.18,  
REF.NO.1.

N:Old  $\frac{100}{100}$  New, Q:Old  $\frac{100}{100}$  New, R:Old  $\frac{100}{100}$  New, S:Old  $\frac{100}{100}$  New, W:Add, Z:Discontinued, F:Interchangeable by set, K:Q'ty Change  
Copyright (C) YANMAR CO., LTD. All Rights Reserved.

OCD10-M49700

Fig.14. FUEL FILTER

Y0024970  
3TNV72L-USK



No.	Lev.	Parts No.	Description	Q'ty						I	R
				(A)	(B)	(C)	(D)	(E)	(F)		
1	1	121520-01851	GASKET	1							
2	1	121520-01860	COVER	1							G
3	1	26106-060162	BOLT, M6X 16 PLATED	2							
4	1	101304-59020	JOINT, PIPE 12	1							
5	1	104200-59170	GASKET, 12	2							G
6	1	103854-59191	BOLT ASSY, JOINT M12	1							
10	1	119225-55600	FILTER ASSY, FUEL	1							
11	2	121254-55510	COVER	1							
12	2	102103-55520	O-RING	1							
13	2	110250-55610	RING, RETAINING	1							
14	2	121250-55620	SPRING	1							
16	2	124550-55700	FILTER, FUEL L=90	1							
17	2	101720-55750	PLUG, 6	2							
18	2	23418-060000	GASKET, 6X1.0	2							
19	1	124766-59050	CLIP, HOSE 12	10							

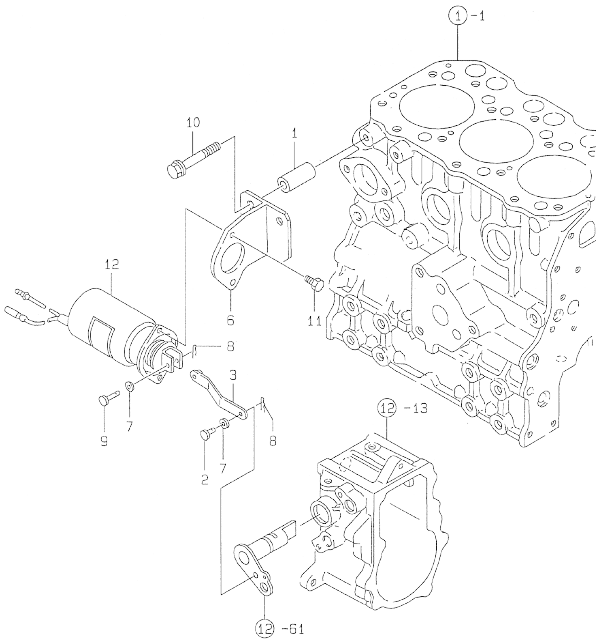
Remarks  
(G) THESE PARTS ARE SOLD BY FIG.18,  
REF.NO.1.

N:Old  $\frac{Y002}{100}$  New, Q:Old  $\frac{H0}{100}$  New, R:Old  $\frac{Y002}{100}$  New, S:Old  $\frac{H0}{100}$  New, W:Add, Z:Discontinued, F:Interchangeable by set, K:Q'ty Change  
Copyright (C) YANMAR CO., LTD. All Rights Reserved.

OCD10-M49700

Fig.15. ENGINE STOP DEVICE

Y00D4970  
3TNA72L-USK

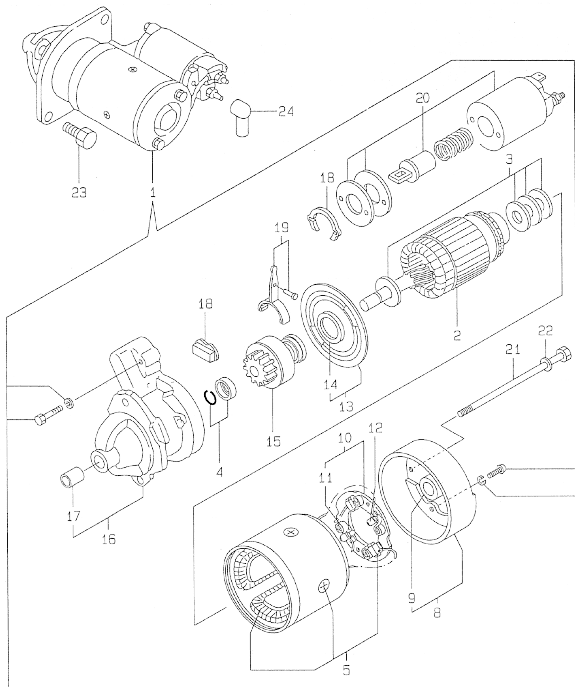


No.	Lev.	Parts No.	Description	Q'ty						I	R
				(A)	(B)	(C)	(D)	(E)	(F)		
1	1	123682-39460	SUPPORT	2							
2	1	171002-65121	PIN	1							
3	1	119645-66510	LINK ASSY	1							
6	1	119645-66530	BRACKET, SOLENOID	1							
7	1	22117-050000	WASHER, 5	2							
8	1	22360-050000	SNAP PIN 5	2							
9	1	22487-050160	PIN, H 5X 16	1							
10	1	26106-080502	BOLT, M8X 50 PLATED	2							
11	1	26116-060122	BOLT, M6X 12 PLATED	2							
12	1	46116-500241	SOLENOID, DC24V/2KG	1							

OCD10-M49700

Fig.16. STARTING MOTOR

Y00D4970  
3TNA72L-USK



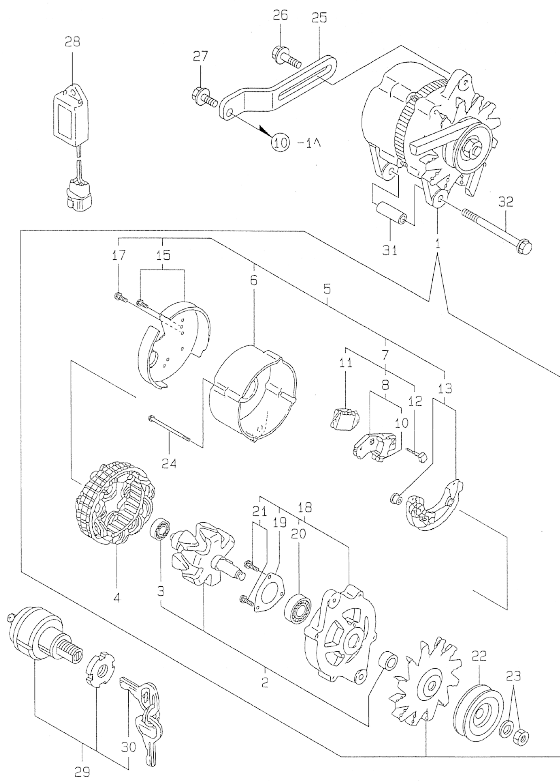
No.	Lev.	Parts No.	Description	Q'ty					
				(A)	(B)	(C)	(D)	(E)	(F)
1	1	46120-500821	STARTER, DC24S25-154	1					
2	2	X225031001	ARMATURE ASSY	1					
3	2	X212011115		1					
4	2	X22506105	STOPPER SET, PINION	1					
5	2	X225052001	COIL ASSY, FIELD	1					
8	2	X225073012	COVER ASSY, REAR	1					
9	3	X21301310	METAL, COVER BEARING	1					
10	2	X22504305	HOLDER ASSY, BRUSH	1					
11	3	X21304313	SPRING, BRUSH	4					
12	2	X22501324	BRUSH	1					
13	2	X21303400	BEARING ASSY	1					
14	3	X21204401	METAL, CENTER BEARING	1					
15	2	X225075004	PINION ASSY	1					
16	2	X225086005	CASE ASSY, GEAR	1					
17	3	X21301310	METAL, COVER BEARING	1					
18	2	X21302610	COVER SET, DUST	1					
19	2	X21302605		1					
20	2	X225047002	SWITCH ASSY, MAGNET.	1					
21	2	X22503820	BOLT, THROUGH	2					
22	2	X21301827	WASHER	2					
23	1	26116-120252	BOLT, M12X 25 PLATED	2					
24	1	124160-77020	COVER, TERMINAL	1					

N:Old  $\frac{New}{Old}$  New, Q:Old  $\frac{New}{Old}$  New, R:Old  $\frac{New}{Old}$  New, S:Old  $\frac{New}{Old}$  New, W:Add, Z:Discontinued, F:Interchangeable by set, K:Q'ty Change  
Copyright (C) YANMAR CO., LTD. All Rights Reserved.

OCD10-M49700

Fig.17. GENERATOR

Y00D4970  
3TNA72L-USK



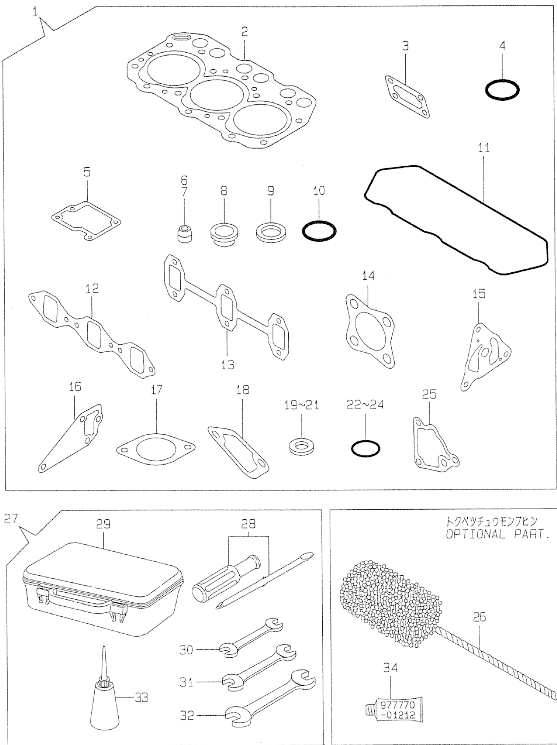
No.	Lev.	Parts No.	Description	Q'ty						I	R
				(A)	(B)	(C)	(D)	(E)	(F)		
1	1	129535-77200	GENERATOR, LR225-90	1							
2	2	119129-77300	ROTOR ASSY	1							
3	3	119129-77320	BALL BEARING	1							
4	2	119129-77960	STATOR ASSY	1							
5	2	119129-77330	REAR COVER ASSY	1							
6	3	119129-77340	REAR COVER	1							
7	3	119129-77350	BRUSH ASSY,REGULATOR	1							
8	4	119129-77380	BUSH ASSY	1							
10	4	119129-77810	BUSH SET	2							
11	4	119129-77820	REGULATOR ASSY, I.C.	1							
12	4	124080-77520	BOLT M5	2							
13	3	119129-77360	DIODE ASSY	1							
15	3	119129-77370	COVER	1							
17	3	26116-050122	BOLT, M5X 12 PLATED	1							
18	2	119129-77840	COVER ASSY, FRONT	1							
19	3	119129-77870	RETAINER, BEARING	1							
20	3	119129-77850	BALL BEARING	1							
21	3	119129-77930	SCREW KIT	1							
22	2	129535-77880	PULLEY	1							
23	2	119129-77900	NUT ASSY, PULLEY	1							
24	2	119129-77890	BOLT, THROUGH	4							
25	1	119660-77330	ADJUSTER	1							
26	1	26014-080252	BOLT, M8X 25	1							
27	1	26106-080182	BOLT, M8X 18 PLATED	1							
28	1	119660-77920	TIMER	1							
29	1	121400-91251	SWITCH, STARTER	1							
30	2	121400-91271	KEY, SWITCH	2							
31	1	119688-77340	SPACER	1							
32	1	26106-081202	BOLT, M8X120 PLATED	1							

N:Old  $\frac{100}{100}$  New, Q:Old  $\frac{100}{100}$  New, R:Old  $\frac{100}{100}$  New, S:Old  $\frac{100}{100}$  New, W:Add, Z:Discontinued, F:Interchangeable by set, K:Qty Change  
Copyright (C) YANMAR CO., LTD. All Rights Reserved.

OCD10-M49700

Fig.18. GASKET SET

Y00C4970  
3TNA72L-USK



No.	Lev.	Parts No.	Description	Q'ty						I	R	
				(A)	(B)	(C)	(D)	(E)	(F)			
1	1	719648-92600	GASKET SET	1							1	
2	2	119620-01342	GASKET, HEAD	1								
3	2	119660-01562	GASKET	1								
4	2	24311-000320	O-RING, 1AP32.0	1								
5	2	119620-03031	GASKET	1								
6	2	124950-11340	SEAL, VALVE STEM	3								
7	2	124160-11340	SEAL, VALVE STEM	3								
8	2	119600-11450	PROTECTOR, NOZZLE	3								
9	2	119600-11460	GASKET, NOZZLE	6								
10	2	24311-000320	O-RING, 1AP32.0	1								
11	2	119620-11310	GASKET, BONNET	1								
12	2	119620-12111	GASKET, MANIFOLD	1								
13	2	119620-13110	GASKET	1								
14	2	121000-13201	GASKET, SILENCER	1								
15	2	119660-32020	GASKET, PUMP	1								
16	2	119620-42020	GASKET, WATER PUMP	1								
17	2	129350-49541	GASKET	1								
18	2	121520-01851	GASKET	1								
19	2	124465-44950	GASKET, 16	2								
20	2	104200-59170	GASKET, 12	2								
21	2	23414-140000	GASKET, 14X1.0	3								
22	2	24311-000120	O-RING, 1AP12.0	4								
23	2	129155-51580	O-RING	3								
24	2	24341-000240	O-RING, 1AS24.0	2								
25	2	119660-35113	GASKET	1								
26	1	129400-92410	FLEX HORN	1								1
27	1	721400-92102	BOX ASSY, TOOL	1								1
28	2	104200-92350	DRIVER, SCREW	1								
29	2	104200-92600	BOX, TOOL	1								
30	2	28110-100120	SPANNER, 10X12	1								
31	2	28110-140170	SPANNER, 14X17	1								
32	2	28110-190220	SPANNER, 19X22	1								
33	2	28210-000140	OILER	1								
34	1	977770-01212	GASKET, LIQUID	1								1

Remarks  
(1) OPTIONAL PART.

N:Old  $\frac{100}{100}$  New, Q:Old  $\frac{100}{100}$  New, R:Old  $\frac{100}{100}$  New, S:Old  $\frac{100}{100}$  New, W:Add, Z:Discontinued, F:Interchangeable by set, K:Qty Change  
Copyright (C) YANMAR CO., LTD. All Rights Reserved.

## Parts No. Index

Parts No.	Fig. No.	Ref. No.
101158-11190	4	25
101304-59020	14	4
101720-55750	14	17
102103-55520	14	12
103854-59191	14	6
104200-59170	14	5
	18	20
104200-92350	18	28
104200-92600	18	29
104211-11370	4	28
105010-11230	4	39
	43	
105025-59550	13	39
105225-23200	8	31
105425-59110	13	43
105546-51330	11	25
110250-55610	14	13
114250-53130	13	9
114250-53400	13	11
119129-77300	17	2
119129-77320	17	3
119129-77330	17	5
119129-77340	17	6
119129-77350	17	7
119129-77360	17	13
119129-77370	17	15
119129-77380	17	8
119129-77810	17	10
119129-77820	17	11
119129-77840	17	18
119129-77850	17	20
119129-77870	17	19
119129-77890	17	24
119129-77900	17	23
119129-77930	17	21
119129-77960	17	4
119225-55600	14	10
119260-07900	4	5
119260-59520	13	37
119260-59530	13	38
119270-61200	12	13
119280-49020	10	31
119305-35150	9	17
119600-01050	1	5
119600-01501	2	14
119600-01722	3	15
119600-11450	4	29
	18	8
119600-11460	4	30
	18	9

Parts No.	Fig. No.	Ref. No.
119600-13100	6	1
119600-34800	9	13
119600-35081	9	29
119600-44500	10	28
119600-61100	12	3
119600-61200	12	4
119600-61500	12	27
119600-61540	12	42
119600-61650	12	43
119600-61900	12	48
119600-66020	12	58
119600-66521	12	61
119600-66530	12	62
119600-66720	12	68
119600-66840	12	94
119620-01200	1	23
119620-01342	1	24
	18	2
119620-01620	3	6
119620-01750	3	4
119620-01800	2	4
119620-01950	2	23
119620-02020	1	6
119620-02410	1	21
119620-02450	7	4
119620-03020	4	53
119620-03031	4	54
	18	5
119620-11100	4	21
119620-11110	4	22
119620-11120	4	23
119620-11180	4	24
119620-11200	4	32
119620-11240	4	33
119620-11260	4	36
119620-11280	4	37
119620-11310	4	57
	18	11
119620-11330	4	51
119620-11350	4	48
119620-11390	4	58
119620-11801	4	15
119620-12111	5	2
	18	12
119620-13110	6	2
	18	13
119620-14100	7	7
119620-14200	7	1
119620-14401	7	2
119620-21941	8	10

Parts No.	Fig. No.	Ref. No.
119620-22090	8	16
119620-22300	8	24
119620-22900	8	34
119620-22920	8	42
119620-22950	8	36
119620-22970	8	44
119620-23910	8	29
119620-25102	7	11
119620-25912	7	13
119620-42020	10	13
	18	16
119620-42320	10	10
119620-51101	11	4
119620-51170	11	7
119620-51180	11	8
119620-51190	11	9
119620-51250	11	10
119620-51300	11	22
119620-51340	11	26
119620-51350	11	27
119620-51370	11	28
119620-51450	11	29
119620-51461	11	30
119620-51510	11	32
119620-51650	11	34
119620-51660	11	35
119620-51670	11	36
119620-51680	11	37
119620-51700	11	38
119620-53000	13	3
119620-53080	13	6
119620-53120	13	8
119620-53140	13	10
119620-59540	13	35
119620-59700	13	40
119620-59811	13	23
119620-59821	13	27
119620-59831	13	31
119620-77820	4	65
119621-01590	2	1
119621-21680	8	9
119621-26140	2	35
119621-66051	12	59
119621-66091	12	50
119629-14580	7	3
119632-07900	4	6
119632-12501	5	4
119632-12551	5	11
119632-12590	5	12
119640-01640	3	12

Parts No.	Fig. No.	Ref. No.
119640-12580	5	14
119645-12100	5	1
119645-49010	10	30
119645-66510	15	3
119645-66530	15	6
119656-42291	10	15
119660-01510	2	17
119660-01551	2	20
119660-01562	2	21
	18	3
119660-01570	2	22
119660-01610	3	2
119660-01640	3	7
119660-01821	7	17
119660-01911	2	5
119660-21201	8	5
119660-21651	8	8
119660-21710	8	1
119660-25022	7	9
119660-25052	7	10
119660-32001	9	1
119660-32020	9	11
	18	15
119660-35102	9	15
119660-35113	9	16
	18	25
119660-35300	9	18
119660-42004	10	1
119660-42350	10	16
119660-51500	11	31
119660-51530	11	33
119660-61052	12	17
119660-61060	12	1
119660-61071	12	2
119660-61121	12	10
119660-61140	12	11
119660-61150	12	12
119660-61300	12	8
119660-61341	12	9
119660-61460	12	18
119660-61491	12	26
119660-61901	12	49
119660-77330	17	25
119660-77800	4	64
119660-77920	17	28
119688-21590	8	12
119688-77340	17	31
119865-21600	8	15
121000-13201	6	7
	18	14



## Parts No. Index

Parts No.	Fig. No.	Ref. No.
121023-01550	2	29
121024-12660	5	6
121111-21501	8	11
121120-01620	3	3
121250-44901	10	26
121250-49121	10	34
121250-55620	14	14
121254-55510	14	11
121400-91251	17	29
121400-91271	17	30
121450-01560	2	18
121450-42450	10	25
121450-49110	10	32
121465-12510	5	8
121465-12700	5	7
121520-01851	14	1
	18	18
121520-01860	14	2
121520-34810	9	14
121550-49111	10	24
121850-11860	4	18
123682-39460	15	1
124064-12680	5	9
124064-12690	5	10
124066-59100	13	36
		42
124080-77520	17	12
124085-02220	3	9
124160-01751	2	12
	4	66
124160-11340	4	26
	18	7
124160-11360	4	62
124160-39450	9	32
124160-77020	16	24
124240-01871	2	32
		33
124240-01883	2	34
124250-03640	12	105
124450-44590	10	29
124465-44950	10	27
	18	19
124550-55700	14	16
124550-66370	12	60
124574-44761	10	18
124700-44740	10	17
124766-59050	14	19
124950-11340	4	27
	18	6
129100-01580	3	1

Parts No.	Fig. No.	Ref. No.
129100-01580	8	2
129100-61930	12	57
129150-35350	9	26
129150-59120	13	18
129150-59131	13	21
129155-51280	12	14
129155-51580	13	2
	18	23
129155-61480	12	21
129350-49530	10	20
129350-49541	10	21
	18	17
129350-49800	10	22
129400-92410	18	26
129535-77200	17	1
129535-77880	17	22
135210-61090	12	106
171002-65121	15	2
171002-66830	12	93
171064-12600	5	18
174307-51700	12	28
194990-22050	2	27
	6	3
	12	104
22117-040000	12	44
22117-050000	15	7
22137-040000	11	43
22190-060003	12	102
22190-120002	12	103
22190-220002	3	14
22217-040000	11	44
22217-050000	4	59
22242-000120	4	46
22242-000200	7	15
22252-000210	8	25
22272-000040	12	45
22351-020004	12	46
22351-030014	12	47
22351-040010	2	19
	12	54
22351-060012	4	31
22360-040000	12	95
22360-050000	15	8
22360-060000	12	96
22451-060000	12	107
22487-050160	15	9
22512-040120	7	8
		22
	8	6
23000-060000	5	15

Parts No.	Fig. No.	Ref. No.
23010-038000	10	36
23065-120500	4	1
23414-140000	13	41
	18	21
23418-060000	14	18
23871-010000	1	11
23871-030000	10	11
24101-062034	7	24
24102-063034	7	23
24311-000120	2	6
	4	63
	9	30
	18	22
24311-000160	9	27
	10	35
24311-000320	2	13
	4	67
	18	4
	10	4
24311-240100	12	97
24341-000070	12	55
24341-000240	2	30
	18	24
26014-080202	5	16
26014-080252	17	26
26022-040082	11	45
26106-060102	9	31
	12	56
26106-060122	1	22
	3	17
	4	7
	7	16
26106-060162	2	7
	7	25
	14	3
26106-060182	2	31
26106-060202	5	3
	10	19
26106-060222	3	10
26106-060302	2	8
26106-060452	3	18
26106-060602	2	9
	10	10
26106-060702	12	98
26106-060802	2	11
26106-080122	2	36
26106-080142	4	8
26106-080182	17	27
26106-080202	9	28
	10	23

Parts No.	Fig. No.	Ref. No.
26106-080402	2	37
	6	4
26106-080452	4	49
	10	14
26106-080502	15	10
26106-081202	17	32
26116-050102	12	99
26116-050122	17	17
26116-060122	15	11
26116-060304	12	100
26116-120252	16	23
26206-100252	3	5
26216-080222	6	5
26216-080552	6	6
26366-060002	2	28
26366-080002	4	50
	5	17
26450-060202	9	12
26557-050102	4	61
26587-040102	11	46
26587-080102	7	26
26756-060002	4	41
		45
	12	101
26776-120002	12	92
26979-050162	4	47
27231-450000	1	12
27241-120000	1	13
27241-300000	1	14
27241-400000	4	20
28110-100120	18	30
28110-140170	18	31
28110-190220	18	32
28210-000140	18	33
46116-500241	15	12
46120-500821	16	1
719255-53100	13	1
719610-01561	1	1
719620-02800	1	15
719620-02870	1	25
719620-02930	1	18
719620-11650	4	38
719620-11660	4	42
719620-11701	4	9
719620-22500	8	18
719620-23100	8	26
719620-23600	8	32
719620-23610	8	50
719621-51100	11	1
719631-01540	3	11

### Parts No. Index

Parts No.	Fig. No.	Ref. No.
719648-92600	18	1
719660-14590	7	18
721400-92102	18	27
977770-01212	18	34
X21201115	16	3
X21204401	16	14
X21301310	16	9
		17
X21301827	16	22
X21302605	16	19
X21302610	16	18
X21303400	16	13
X21304313	16	11
X22501324	16	12
X225031001	16	2
X22503820	16	21
X22504305	16	10
X225047002	16	20
X225052001	16	5
X22506105	16	4
X225073012	16	8
X225075004	16	15
X225086005	16	16

Parts No.	Fig. No.	Ref. No.
-----------	----------	----------

Parts No.	Fig. No.	Ref. No.
-----------	----------	----------

Parts No.	Fig. No.	Ref. No.
-----------	----------	----------