

0CD10-M41702EN

PREFACE

1. This Parts Catalog is the 1st edition of 3TNA68,72L-UKS Diesel Engine for KIORITZ CORP..

Pub. No. : 000Y00D4172

Published : August,1991

2. Model name

Engine model	Vehicle		Vehicle made by
	Products	Model name	
3TNA68,72L-UKS	—	—	KIORITZ CORP.

Directions for the Parts Catalog.

1. This Parts Catalog shows both standard and optional parts.
2. Parts may change without prior notice.
3. The following is an example of the Parts Catalog format.

REF.	LEV.	PARTS NO.	DESCRIPTION	Q'TY						I	R
				(A)	(B)	(C)	(D)	(E)	(F)		
1	1	729595-51390	FUEL INJECTION PUMP	1	1	1	1	1			1
1-1	1	729595-51391	FUEL INJECTION PUMP	1	1	1	1	1		N	1
		(A=E00185) (B=E00200)									
3	2	26022-060162	SCREW M 6X 16	9	9	9	9	9			
3-1	2	26022-060162	SCREW M 6X 16	4	4	4	4	4		K	
		(A=E00156) (B=E00156) (C=E00156) (D=E00156) (E=E00156)									
4	2	129470-51040	CAMSHAFT	1	1	1	1	1			
5	2	122710-51050	BEARING, ROLLER	2	2	2	2	2			
6	2	129470-51060	RETAINER	1	1	1	1	1			

Remarks
(1) BOOST COMPEMSATOR TYPE. OPTIONAL PART, TO E00155,(4JH-DT, 4JH-DTZ

① Ref. No.

The Ref. No. listed may not be in accordance with the illustration Ref. No.

(Ex.) Illustration No.

List Ref No.

1 1 (Before change) → 1-1 (After change)

For interchangeable symbols N, R and K, illustrations for new parts may be abbreviated.

② Lev. (Level)

Level indication

The numbers below indicate the level of relativity towards the main part.

1 ---- Main parts (Assembly parts)

2 ---- Sub component included in " 1 ".

3 ---- Sub component included in " 2 ".

Note) Parts that are not for sale are partially illustrated but not listed.

③ Interchangeability Symbol

When a part change takes place, one of the following interchangeability symbols is indicated beside the part.

Symbol	Interchangeability	Contents note
N	Old $\begin{matrix} \leftarrow \text{Yes} \\ \text{No} \rightarrow \end{matrix}$ New	New Part is interchangeable for Old Part but Old Part is not interchangeable for New Part.
Q	Old $\begin{matrix} \leftarrow \text{No} \\ \text{Yes} \rightarrow \end{matrix}$ New	New Part is not interchangeable for Old Part but Old Part is interchangeable for New Part.
R	Old $\begin{matrix} \leftarrow \text{Yes} \\ \text{Yes} \rightarrow \end{matrix}$ New	New/ Old Parts are both interchangeable.
S	Old $\begin{matrix} \leftarrow \text{No} \\ \text{No} \rightarrow \end{matrix}$ New	New/ Old Parts are both not interchangeable.
W		Part newly added.
Z		Part discontinued.
F		Not interchangeable by a single part but interchangeable together with related parts.
K		Changes only for used parts quantities.

④ Effective Machine No.

When a part changes, the effective Machine No. will be indicated in the (A)-(F) column.

Product Symbol	Product No.	Product Symbol	Product No.
C	Clutch No. Compressor No.	F	Machine No. (Agricultural Equip.)
D	Drive No.	M	Machine No.
E	Engine No.		

Note 1) A date may follow the symbol. (Ex.) 1996.01

Note 2) "XXXXX" and "ZZZZZ" are for parts that could not be predicted or for engine models that could not be identified.

Note 3) (A=E00185) is the E (Engine Serial Number) for the column (A) model (in this case 4JH-DT) after the parts design change.

⑤ Remarks

Figures or alphabets (symbols) are entered in the remarks column.

The comments (remarks) on parts that are indicated at the bottom of the illustration are the same symbols as those stated above.

Contents

Fig. No.	Fig. Name
ENGI. 3TNA68,72L-UKS	
1.	CYLINDER BLOCK
2.	GEAR HOUSING
3.	GEAR HOUSING BLIND COVER
4.	OIL SEAL HOUSING
5.	LUB.OIL SUMP
6.	ENGINE LIFTER
7.	CYLINDER HEAD
8.	ROCKER ARM
9.	BONNET
10.	AIR CLEANER
11.	INTAKE MANIFOLD
12.	SILENCER
13.	EXHAUST MANIFOLD
14.	CAMSHAFT
15.	CRANKSHAFT
16.	FLYWHEEL
17.	PISTON
18.	CONNECTING ROD
19.	IDLE GEAR
20.	FUEL FEED PUMP GEAR
21.	LUB.OIL PUMP
22.	LUB.OIL DIPSTICK
23.	LUB.OIL STRAINER
24.	LUB.OIL PRESSURE SWITCH

Fig. No.	Fig. Name
25.	COOLING WATER PUMP
26.	RADIATOR & FAN MOTOR
27.	THERMOSTAT
28.	COOLING WATER LINES
29.	FUEL INJECTION PUMP
30.	FUEL FEED PUMP
31.	FUEL INJECTION VALVE
32.	FUEL STRAINER
33.	FUEL INJECTION PIPE
34.	FUEL LINES
35.	FUEL RETURN PIPE
36.	GOVERNOR
37.	CONTROL SYSTEM
38.	STARTING MOTOR
39.	GENERATOR
40.	GLOW PLUG
41.	ELECTRIC PARTS
42.	STARTING MOTOR(COMPONENT PARTS)
43.	GENERATOR(COMPONENT PARTS)
44.	GASKET SET
45.	SPECIAL TOOL(OPTIONAL)

ENGINE 3TNA72L-UKS

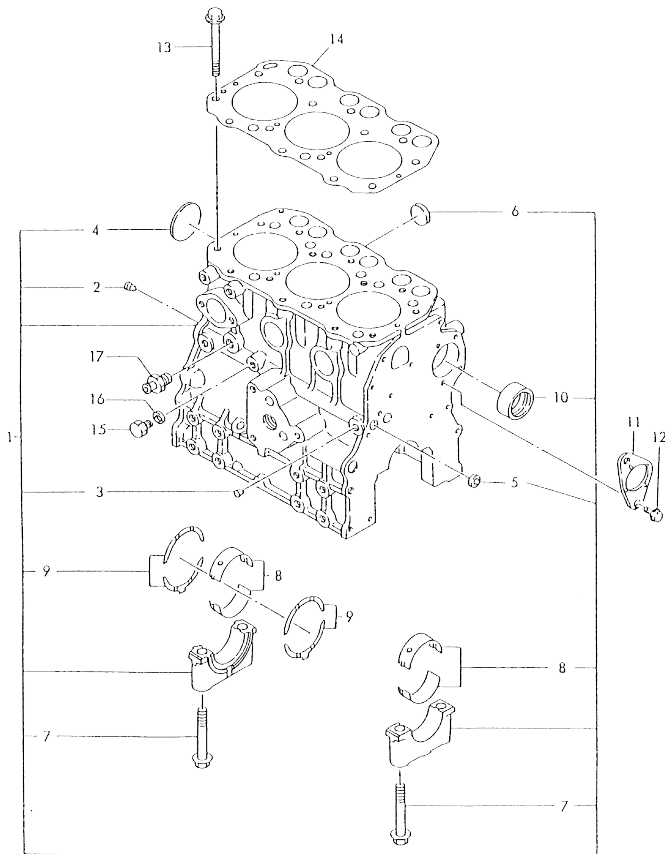
46.	CYLINDER BLOCK
47.	GEAR HOUSING

Contents

Fig. No.	Fig. Name	Fig. No.	Fig. Name
48.	LUB.OIL SUMP		
49.	CYLINDER HEAD & BONNET		
50.	SUCTION MANIFOLD & AIR CLEANER		
51.	EXHAUST MANIFOLD & SILENCER		
52.	CAMSHAFT & DRIVING GEAR		
53.	CRANKSHAFT & PISTON		
54.	LUB.OIL SYSTEM		
55.	COOLING WATER SYSTEM		
56.	FUEL INJECTION PUMP		
57.	FUEL LINE		
58.	GOVERNOR		
59.	STARTING MOTOR		
60.	GENERATOR		
61.	ELECTRIC PART		
62.	GASKET SET(OPTIONAL)		
63.	SPECIAL TOOL(OPTIONAL)		

Fig.1. CYLINDER BLOCK

019600-01100
 019620-02100
 019625-02200
 019600-45300



(A)=3TNA68L-UKS
 (B)=
 (C)=

(D)=
 (E)=
 (F)=

No.	Lev.	Parts No.	Description	Q'ty						I	R
				(A)	(B)	(C)	(D)	(E)	(F)		
1	1	719600-01562	BLOCK ASSY, CYLINDER	1							
2	2	124160-01900	PLUG, PT1/4	1							
2-1	2	119600-01050	PLUG, PT1/4	1							N
(A=E08877)											
3	2	23871-010000	PLUG, R01	1							
4	2	27231-450000	PLUG 45	1							
5	2	27241-120000	PLUG, 12	1							
6	2	27241-300000	PLUG 30	6							
7	2	119620-02020	BOLT, METAL CAP	8							
8	2	719620-02800	BEARING, MAIN	4							
9	2	719620-02930	BEARING, THRUST	2							
10	2	119620-02410	BUSH, CAMSHAFT	1							
11	1	119620-02450	BEARING, THRUST	1							Z
(A=E0000)											
12	1	26106-060122	BOLT, M6X 12 PLATED	2							
13	1	119620-01200	BOLT, HEAD	14							
14	1	119656-01340	GASKET, HEAD	1							
15	1	119656-01900	PLUG, 8	1							Z
(A=E0000)											
16	1	104884-59170	GASKET	1							Z
(A=E0000)											
17	1	121550-49111	JOINT, PT1/4	1							

OCD10-M41702

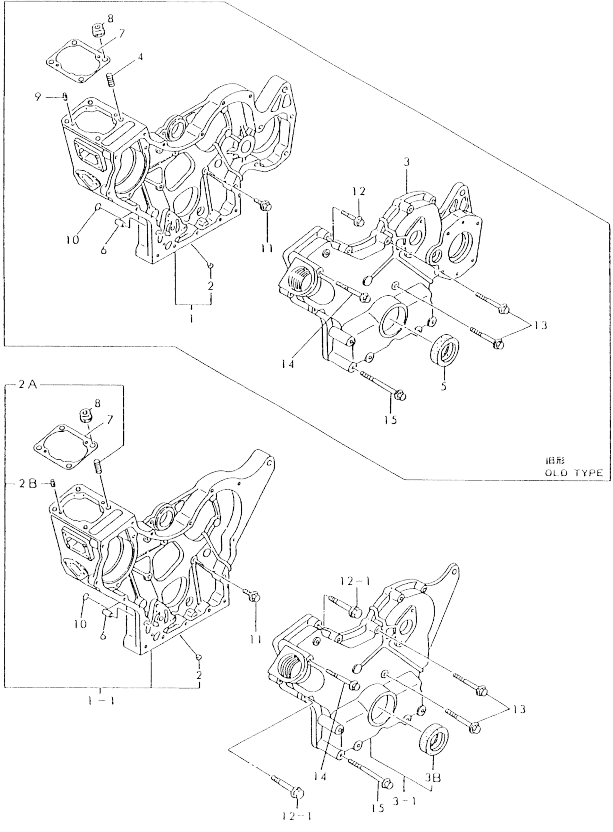
Fig.2. GEAR HOUSING

OCD10-M41702 Fig.2

(A)=3TNA68L-UKS
(B)=
(C)=

(D)=
(E)=
(F)=

D19610-01200
719646-51300



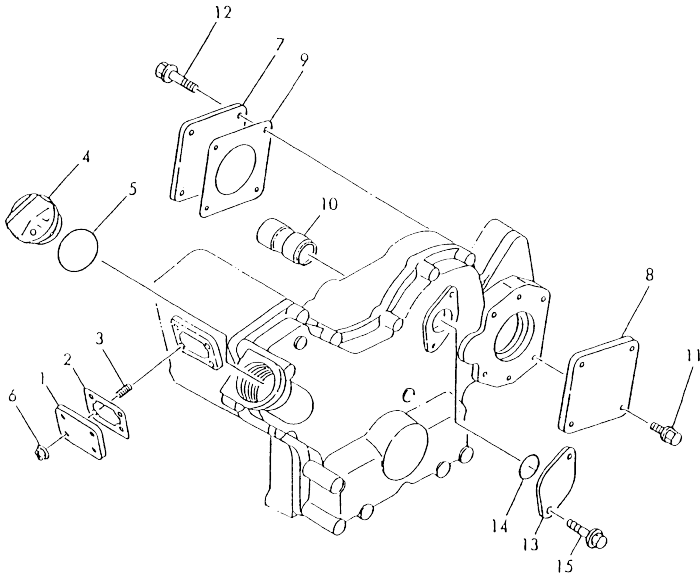
No.	Lev.	Parts No.	Description	Qty						I	R
				(A)	(B)	(C)	(D)	(E)	(F)		
1	1	119600-01501	CASE ASSY, GEAR	1							
1-1	1	119610-01490	CASE ASSY, GEAR	1							F 1
		(A=E08877)									
2	2	119660-01510	PLUG, 10X14	1							
2A	2	121450-01560	STUD, M8X22	4							W
		(A=E08877)									
2B	2	22351-040010	PIN, SPRING 4.0X10	2							W
		(A=E08877)									
3	1	119621-01520	COVER, GEAR CASE	1							
3-1	1	119610-01590	COVER ASSY, GEAR CASE	1							F 1
		(A=1990.05)									
3B	2	119620-01800	SEAL, OIL	1							W
		(A=1990.05)									
4	1	121450-01560	STUD, M8X22	4							Z
		(A=E08877)									
5	1	119620-01800	SEAL, OIL	1							Z
		(A=1990.05)									
6	1	119660-01911	PIPE, KNOCK	4							
7	1	119620-01950	SHIM SET, ADJUSTING	1							
8	1	194990-22050	NUT, M8	4							
9	1	22351-040010	PIN, SPRING 4.0X10	2							Z
		(A=E08877)									
10	1	24311-000120	O-RING, 1AP12.0	2							
11	1	26106-060162	BOLT, M6X 16 PLATED	7							
12	1	26106-060302	BOLT, M6X 30 PLATED	6							
12-1	1	26106-060302	BOLT, M6X 30 PLATED	8							F 1
		(A=E08877)									
13	1	26106-060602	BOLT, M6X 60 PLATED	3							
14	1	26106-060602	BOLT, M6X 60 PLATED	1							
15	1	26106-060802	BOLT, M6X 80 PLATED	6							

Remarks
(1)Ref.No.1-1,3-1 and 12-1 are interchangeable by set.

N:Old $\frac{100}{100}$ New, Q:Old $\frac{100}{100}$ New, R:Old $\frac{100}{100}$ New, S:Old $\frac{100}{100}$ New, W:Add, Z:Discontinued, F:Interchangeable by set, K:Qty Change
Copyright (C) YANMAR CO., LTD. All Rights Reserved.

Fig.3. GEAR HOUSING BLIND COVER

019600-01320
 019600-01800
 719646-51300



(A)=3TNA68L-UKS
 (B)=
 (C)=

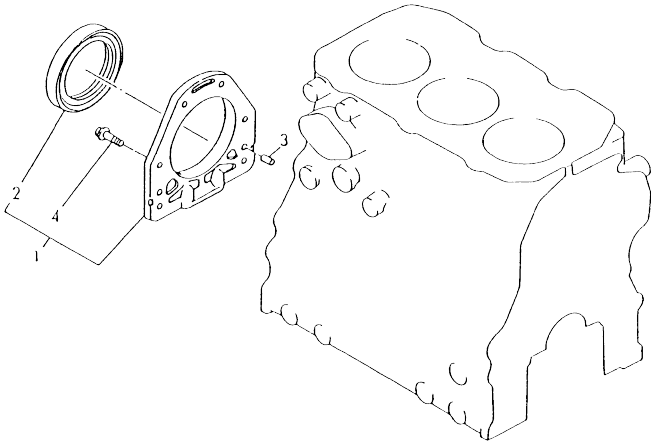
(D)=
 (E)=
 (F)=

No.	Lev.	Parts No.	Description	Q'ty						I	R
				(A)	(B)	(C)	(D)	(E)	(F)		
1	1	119660-01551	COVER	1							
2	1	119660-01561	GASKET	1							
2-1	1	119660-01562	GASKET	1							R
(A=1990.02)											
3	1	119660-01570	STUD, M6X12	4							
4	1	124160-01751	COVER, FILLER	1							
5	1	121420-01760	O-RING	1							
5-1	1	24311-000320	O-RING, 1AP32.0	1							N
(A=1990.05)											
6	1	26366-060002	NUT, M6	4							
7	1	124240-01871	COVER	1							Z
(A=EXXX)											
8	1	124240-01871	COVER	1							Z
(A=EXXX)											
9	1	124240-01882	GASKET	1							Z
(A=EXXX)											
10	1	119621-26140	PLUG	1							Z
(A=EXXX)											
11	1	26106-080122	BOLT, M8X 12 PLATED	4							Z
(A=EXXX)											
12	1	26106-080402	BOLT, M8X 40 PLATED	4							Z
(A=EXXX)											
13	1	121023-01550	COVER	1							
14	1	24341-000260	O-RING, 1AS26.0	1							
14-1	1	24341-000240	O-RING, 1AS24.0	1							N
(A=E17278)											
15	1	26106-060182	BOLT, M6X 18 PLATED	2							

OCD10-M41702

Fig.4. OIL SEAL HOUSING

019600-01500



OCD10-M41702 Fig.4

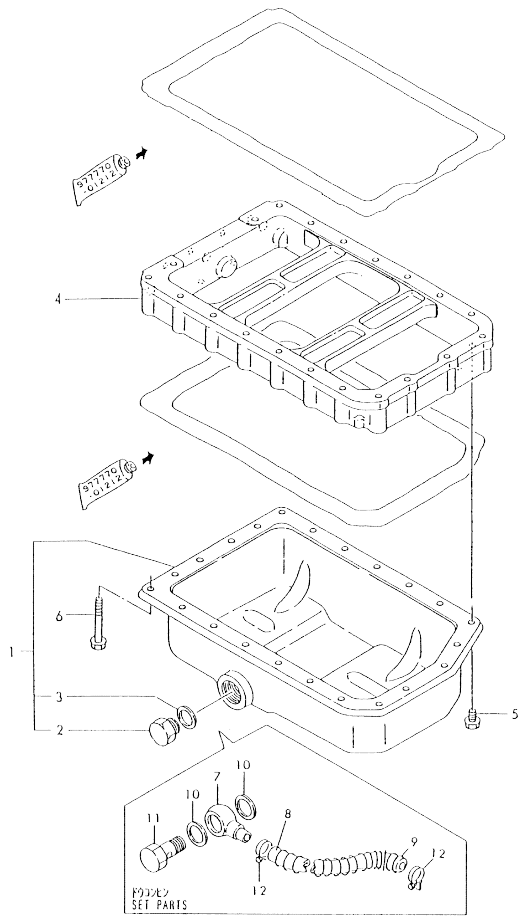
(A)=3TNA68L-UKS
(B)=
(C)=

(D)=
(E)=
(F)=

No.	Lev.	Parts No.	Description	Q'ty						I	R
				(A)	(B)	(C)	(D)	(E)	(F)		
1	1	119660-01640 (A=1990.05)	CASE ASSY, OIL SEAL	1							W
2	2	124085-02220	SEAL, OIL	1							
3	1	22312-060100	PIN, PARALLEL M6X10	2							
3-1	1	119620-01620 (A=E03816)	PIN, M6X10	2							N
4	1	26106-060222	BOLT, M6X 22 PLATED	10							

Fig.5. LUB.OIL SUMP

019600-01720



(A)=3TNA68L-UKS
(B)=
(C)=

(D)=
(E)=
(F)=

No.	Lev.	Parts No.	Description	Q'ty						I	R
				(A)	(B)	(C)	(D)	(E)	(F)		
1	1	719631-01540	SUMP ASSY, OIL	1							
2	2	171301-01640	PLUG, 22	1							
3	2	24341-000250	O-RING, 1AS25.0	1							
3-1	2	24341-000240	O-RING, 1AS24.0	1							N
		(A=E02563)									
4	1	119600-01721	SPACER, OIL SUMP	1							
4-1	1	119600-01722	SPACER, OIL SUMP	1							R
		(A=E02563)									
5	1	26106-060122	BOLT, M6X 12 PLATED	3							
6	1	26106-060452	BOLT, M6X 45 PLATED	20							
7	1	119646-39910	JOINT, PIPE	1							W
		(A=E08494)									
8	1	119646-39920	HOSE, DRAIN	1							W
		(A=E08494)									
9	1	119646-39930	SPRING, PROTECTE	1							W
		(A=E08494)									
10	1	23414-220000	GASKET, 22X1.0	2							W
		(A=E08494)									
11	1	23857-180000	BOLT, JOINT 18	1							W
		(A=E08494)									
12	1	23010-025000	CLAMP, 25	2							W
		(A=E09725)									

OCD10-M41702

Fig.6. ENGINE LIFTER

D19600-07300

OCD10-M41702 Fig.6

(A)=3TNA68L-UKS
(B)=
(C)=

(D)=
(E)=
(F)=

No.	Lev.	Parts No.	Description	Q'ty						I	R
				(A)	(B)	(C)	(D)	(E)	(F)		
1	1	119260-07900	LIFTER	2							
2	1	26106-080142	BOLT, M8X 14 PLATED	1							
3	1	26106-080142	BOLT, M8X 14 PLATED	2							

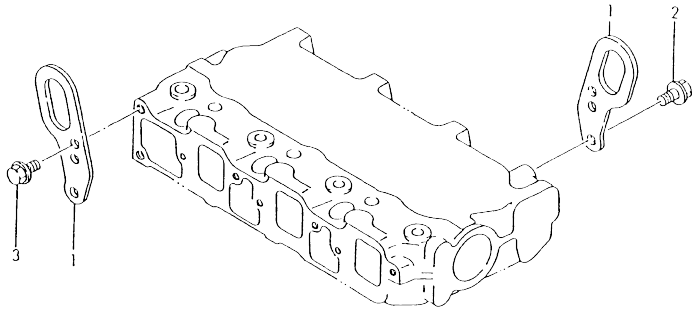
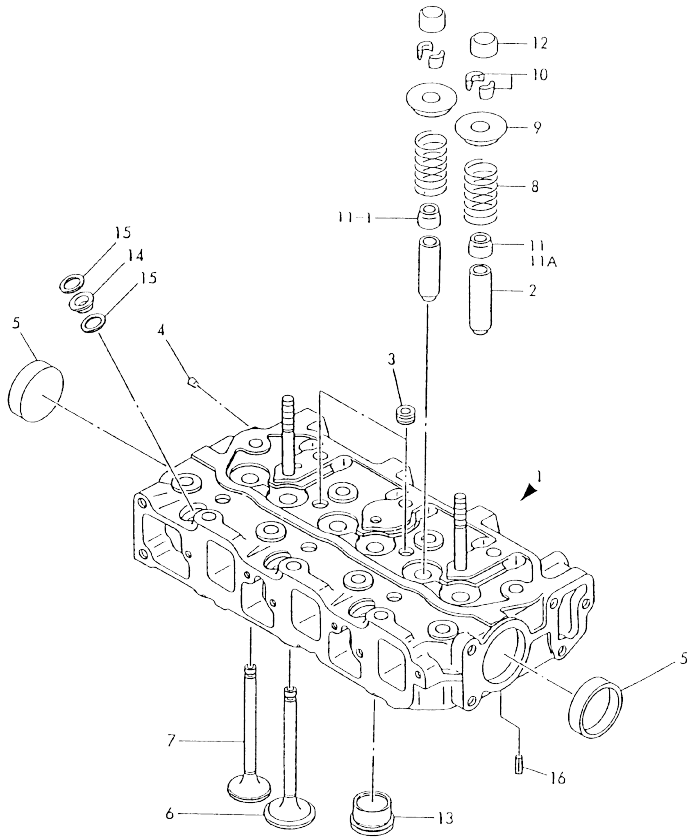


Fig.7. CYLINDER HEAD

D19600-11160



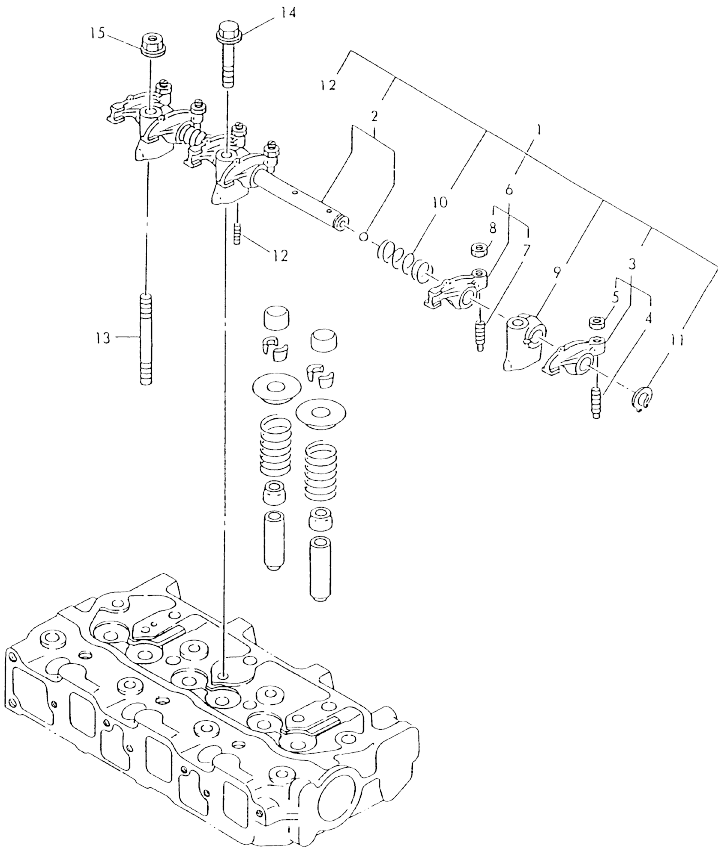
(A)=3TNA68L-UKS
(B)=
(C)=

(D)=
(E)=
(F)=

No.	Lev.	Parts No.	Description	Q'ty						I	R
				(A)	(B)	(C)	(D)	(E)	(F)		
1	1	719656-11701	HEAD ASSY, CYLINDER	1							
2	2	128272-11170	GUIDE, VALVE	6							
3	2	121850-11860	PLUG, PT1/4	2							
4	2	27221-050080	PLUG, 5X 8	1							
5	2	27241-400000	PLUG, 40	2							
6	2	119620-11100	VALVE, INTAKE	3							
7	2	119620-11110	VALVE, EXHAUST	3							
8	2	119620-11120	SPRING, VALVE	6							
9	2	119620-11180	RETAINER, SPRING	6							
10	2	101158-11190	COTTER	6							
10-1	2	27310-070001	COTTER, 7	6							N
(A=EXXXXX)											
11	2	124950-11340	SEAL, VALVE STEM	6							
11-1	2	124950-11340	SEAL, VALVE STEM	3							K
(A=E05804)											
11A	2	124160-11340	SEAL, VALVE STEM	3							W
(A=E05804)											
12	2	104211-11370	CAP, VALVE	6							
13	2	119600-11410	PLUG, HOT	3							
14	1	119600-11450	PROTECTOR, NOZZLE	3							
15	1	119600-11460	GASKET, NOZZLE	6							
16	1	22351-060012	PIN, SPRING 6.0X12	2							

Fig.8. ROCKER ARM

019620-11200



(A)=3TNA68L-UKS
(B)=
(C)=

(D)=
(E)=
(F)=

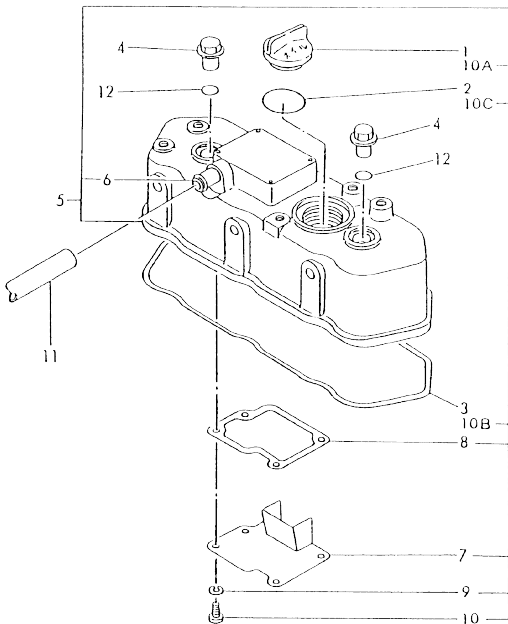
No.	Lev.	Parts No.	Description	Q'ty						I	R
				(A)	(B)	(C)	(D)	(E)	(F)		
1	1	119620-11200	SUPPORT ASSY, ARM	1							
2	2	119620-11240	SHAFT ASSY, ROCKER	1							
3	2	719620-11650	ARM ASSY, ROCKER	3							
4	3	105010-11230	SCREW, VALVE ADJUST	3							
5	3	26756-060002	NUT, LOCK M6	3							
6	2	719620-11660	ARM ASSY, ROCKER	3							
7	3	105010-11230	SCREW, VALVE ADJUST	3							
8	3	26756-060002	NUT, LOCK M6	3							
9	2	119620-11260	SUPPORT, ROCKER ARM	3							
10	2	119620-11280	SPRING	2							
11	2	22242-000120	RING, 12	2							
12	2	26979-050162	SCREW, M5X16	1							
13	1	119620-11350	STUD	2							
14	1	26106-080452	BOLT, M8X 45 PLATED	1							
15	1	26366-080002	NUT, M8	2							

OCD10-M41702

Fig.9. BONNET

OCD10-M41702 Fig.9

019305-03110
019610-11310



(A)=3TNA68L-UKS
(B)=
(C)=

(D)=
(E)=
(F)=

No.	Lev.	Parts No.	Description	Qty						I	R	
				(A)	(B)	(C)	(D)	(E)	(F)			
1	1	124160-01750	COVER	1								
1-1	1	124160-01751 (A=E02563)	COVER, FILLER	1								N
1-2	1	124160-01751 (A=*1990.05)	COVER, FILLER	1								Z
2	1	121420-01760	O-RING	1								
2-1	1	24311-000320 (A=E10957)	O-RING, 1AP32.0	1								N
2-2	1	24311-000320 (A=*1990.05)	O-RING, 1AP32.0	1								Z
3	1	119620-11310 (A=*1990.05)	GASKET, BONNET	1								Z
4	1	124160-11360	KNOB	2								
5	1	719620-11520	BONNET ASSY, HEAD	1								
5-1	1	119620-11330 (A=*1990.05)	BONNET ASSY, HEAD	1								N
6	2	119620-11390	JOINT	1								
7	2	119620-03020	PLATE, SHELTER	1								
8	2	119620-03030	GASKET	1								
8-1	2	119620-03031 (A=EXXX)	GASKET	1								N
9	2	22217-050000	WASHER, SPRING 5	4								
10	2	26557-050102	SCREW, M5X10	4								
10A	2	124160-01751 (A=*1990.05)	COVER, FILLER	1								W
10B	2	119620-11310 (A=*1990.05)	GASKET, BONNET	1								W
10C	2	24311-000320 (A=*1990.05)	O-RING, 1AP32.0	1								W
11	1	23065-120500	PIPE, 12X 500	1								
12	1	24311-000120	O-RING, 1AP12.0	2								

N:Old $\frac{New}{Old}$ New, Q:Old $\frac{New}{Old}$ New, R:Old $\frac{New}{Old}$ New, S:Old $\frac{New}{Old}$ New, W:Add, Z:Discontinued, F:Interchangeable by set, K:Qty Change
Copyright (C) YANMAR CO., LTD. All Rights Reserved.

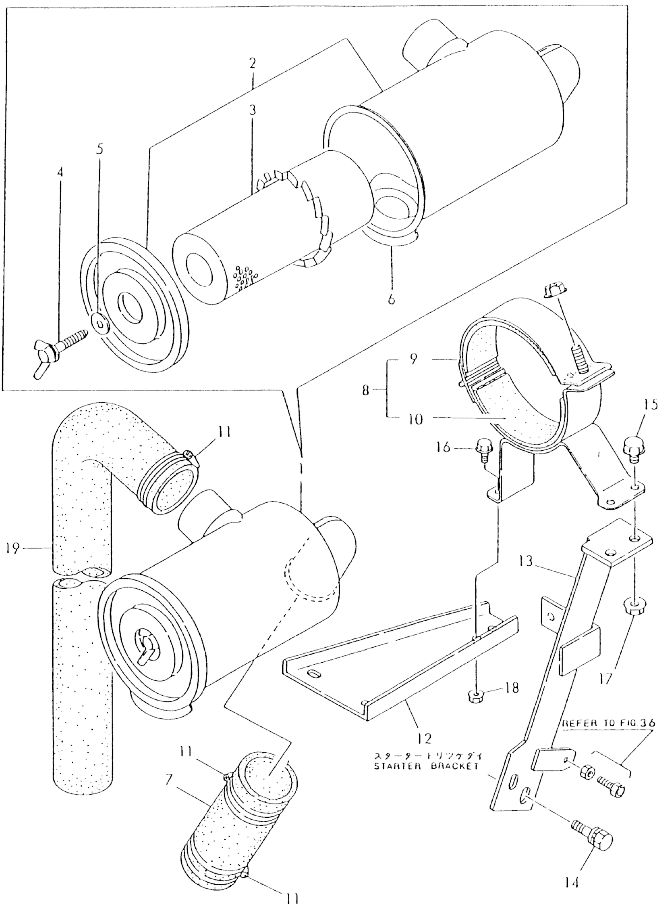
Fig.10. AIR CLEANER

015646-93000

(A)=3TNA68L-UKS
(B)=
(C)=

(D)=
(E)=
(F)=

No.	Lev.	Parts No.	Description	Q'ty						I	R
				(A)	(B)	(C)	(D)	(E)	(F)		
1	1	119654-12500	CLEANER ASSY, AIR	1							
2	2	XX75183164	CASE ASSY	1							
3	2	119860-12510	ELEMENT	1							
4	2	119860-12550	BOLT	1							
5	2	119860-12560	WASHER, SEAL	1							
6	2	X772035051	VALVE, UNLODER	1							
7	1	119646-12550	PIPE, AIR INTAKE	1							
8	1	119640-12590	BRACKET	1							
9	2	119640-12561	SUPPORT, AIR CLEANER	1							
10	2	119640-12580	SEAT, RUBBER	2							
11	1	23000-060000	CLAMP, 60	3							
12	1	119646-12560	BRACKET	1							
13	1	119646-12570	BRACKET	1							
14	1	26014-080222	BOLT, M8X 22	2							
15	1	26014-080202	BOLT, M8X 20	2							
16	1	26014-060182	BOLT, M6X 18	2							
17	1	26366-080002	NUT, M8	2							
18	1	26366-060002	NUT, M6	2							
19	1	171126-12210	PIPE, AIR INTAKE	1							

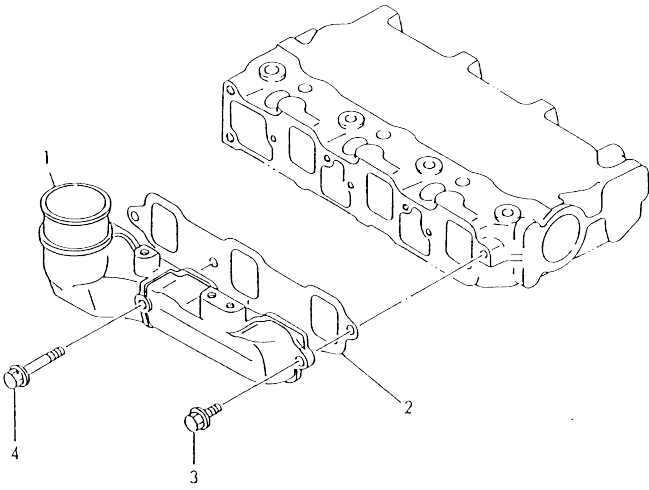


N:Old $\frac{100}{100}$ New, Q:Old $\frac{100}{100}$ New, R:Old $\frac{100}{100}$ New, S:Old $\frac{100}{100}$ New, W:Add, Z:Discontinued, F:Interchangeable by set, K:Q'ty Change
Copyright (C) YANMAR CO., LTD. All Rights Reserved.

OCD10-M41702

Fig.11. INTAKE MANIFOLD

019660-12200



OCD10-M41702 Fig.11

(A)=3TNA68L-UKS
(B)=
(C)=

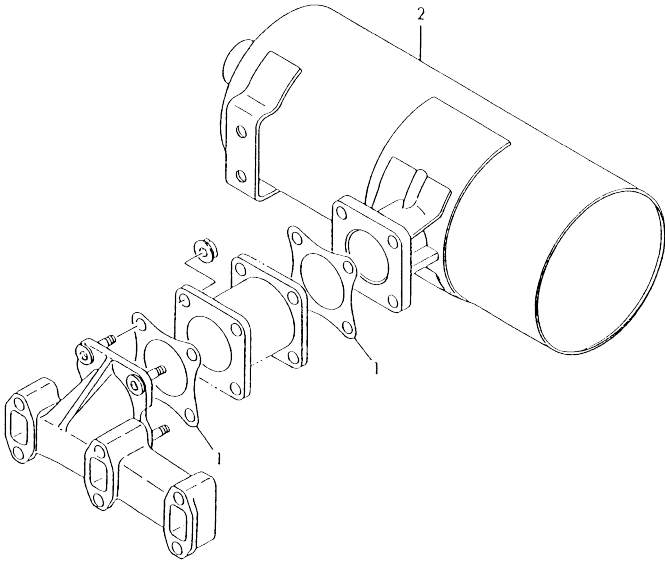
(D)=
(E)=
(F)=

No.	Lev.	Parts No.	Description	Q'ty						I	R
				(A)	(B)	(C)	(D)	(E)	(F)		
1	1	119660-12101	MANIFOLD, AIR INTAKE	1							
2	1	119660-12111	GASKET, MANIFOLD	1							
3	1	26106-060162	BOLT, M6X 16 PLATED	2							
4	1	26106-060402	BOLT, M6X 40 PLATED	1							

OCD10-M41702

Fig.12. SILENCER

019646-93000



OCD10-M41702 Fig.12

(A)=3TNA68L-UKS
(B)=
(C)=

(D)=
(E)=
(F)=

No.	Lev.	Parts No.	Description	Q'ty					
				(A)	(B)	(C)	(D)	(E)	(F)
1	1	121000-13200	GASKET, SILENCER	2					
2	1	119640-13500	SILENCER	1					

Fig.13. EXHAUST MANIFOLD

019600-13200

(A)=3TNA68L-UKS
(B)=
(C)=

(D)=
(E)=
(F)=

No.	Lev.	Parts No.	Description	Q'ty					
				(A)	(B)	(C)	(D)	(E)	(F)
1	1	119600-13100	MANIFOLD, EXHAUST	1					
2	1	119620-13110	GASKET	1					
3	1	194990-22050	NUT, M8	2					
4	1	194990-22050	NUT, M8	4					
5	1	26106-080402	BOLT, M8X 40 PLATED	4					
6	1	26216-080222	STUD, M8X 22	4					
7	1	26216-080552	STUD, M8X 55	2					

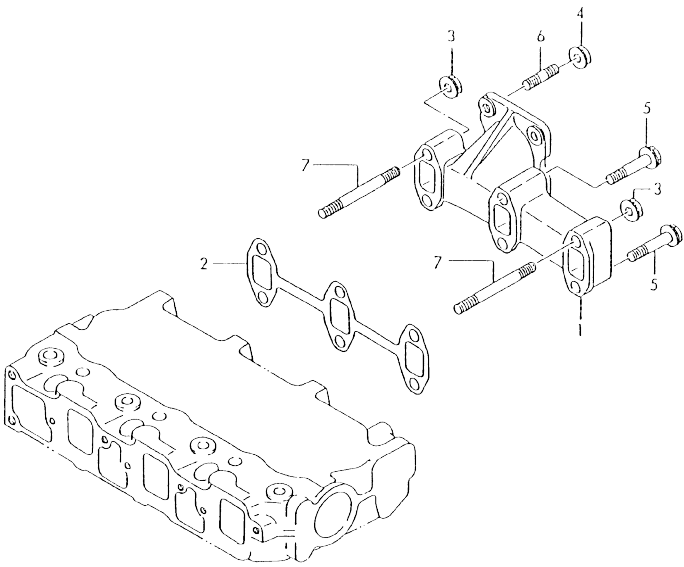


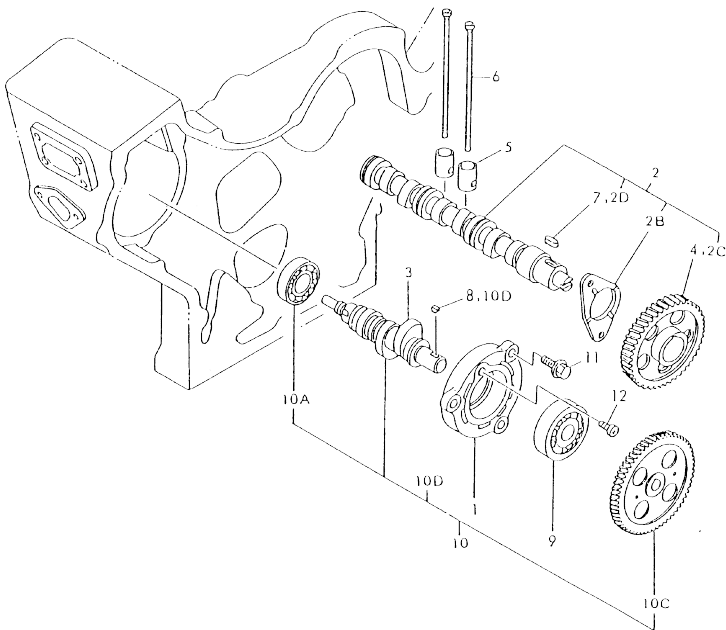
Fig.14. CAMSHAFT

D19629-14100
719646-51300

(A)=3TNA68L-UKS
(B)=
(C)=

(D)=
(E)=
(F)=

No.	Lev.	Parts No.	Description	Q'ty						I	R
				(A)	(B)	(C)	(D)	(E)	(F)		
1	1	119660-01821	BEARING, FUEL CAM	1							
2	1	119629-14580	CAMSHAFT ASSY	1							W
		(A=EXXX)									
2B	2	119620-02450	BEARING, THRUST	1							W
		(A=EXXX)									
2C	2	119620-14100	GEAR, CAMSHAFT	1							W
		(A=EXXX)									
2D	2	22512-040120	KEY, 4X 12	1							W
		(A=EXXX)									
3	1	119660-14092	CAMSHAFT	1							Z
		(A=EXXX)									
4	1	119620-14100	GEAR, CAMSHAFT	1							Z
		(A=EXXX)									
5	1	119620-14200	TAPPET	6							
6	1	119620-14400	ROD, PUSH	6							
7	1	22512-040120	KEY, 4X 12	1							Z
		(A=EXXX)									
8	1	22512-040120	KEY, 4X 12	1							Z
		(A=EXXX)									
9	1	24101-062034	BEARING, BALL 6203	1							
10	1	719660-14590	CAMSHAFT	1							W
		(A=EXXX)									
10A	2	24102-063034	BEARING, BALL 6303U	1							
10C	2	119660-25902	GEAR, PUMP	1							W
		(A=1990.05)									
10D	2	22512-040120	KEY, 4X 12	1							W
		(A=EXXX)									
11	1	26106-060162	BOLT, M6X 16 PLATED	3							
12	1	26587-080102	SCREW, M8X10	1							

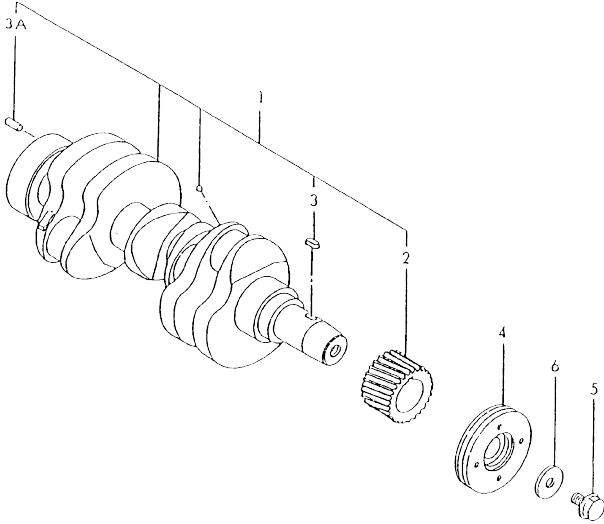


N:Old $\frac{100}{100}$ New. Q:Old $\frac{100}{100}$ New. R:Old $\frac{100}{100}$ New. S:Old $\frac{100}{100}$ New. W:Add. Z:Discontinued. F:Interchangeable by set. K:Qty Change
Copyright (C) YANMAR CO., LTD. All Rights Reserved.

OCD10-M41702

Fig.15. CRANKSHAFT

019660-21101
019649-21300



OCD10-M41702 Fig.15

(A)=3TNA68L-UKS
(B)=
(C)=

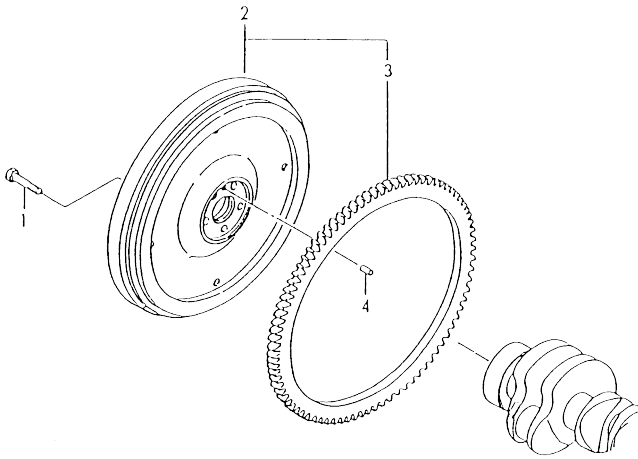
(D)=
(E)=
(F)=

No.	Lev.	Parts No.	Description	Q'ty						I	R
				(A)	(B)	(C)	(D)	(E)	(F)		
1	1	719660-21701	CRANKSHAFT ASSY	1							
1-1	1	719660-21700	CRANKSHAFT ASSY	1							N
(A=EXXX)											
2	2	119660-21201	GEAR, CRANKSHAFT	1							
3	2	22512-040120	KEY, 4X 12	1							
3A	2	129100-01580	PIN, M8X16	1							W
(A=EXXX)											
4	1	119621-21650	V-PULLEY	1							
4-1	1	119649-21650	V-PULLEY	1							N
(A=EXXX)											
5	1	119621-21680	BOLT, FLANGE 12X1.25	1							
6	1	119620-21941	WASHER	1							

OCD10-M41702

Fig.16. FLYWHEEL

019656-21200



OCD10-M41702 Fig.16

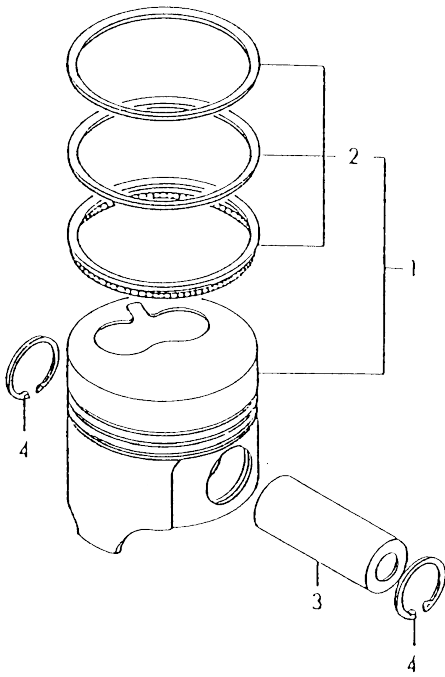
(A)=3TNA68L-UKS
(B)=
(C)=

(D)=
(E)=
(F)=

No.	Lev.	Parts No.	Description	Q'ty						I	R
				(A)	(B)	(C)	(D)	(E)	(F)		
1	1	119620-21500	BOLT, FLYWHEEL	5							
2	1	119656-21591	FLYWHEEL ASSY	1							
3	2	129350-21600	GEAR, RING	1							
4	1	22312-080160 (A=EXXX)	PIN, PARALLEL M8X16	1							Z

Fig.17. PISTON

019600-22100



(A)=3TNA68L-UKS
(B)=
(C)=

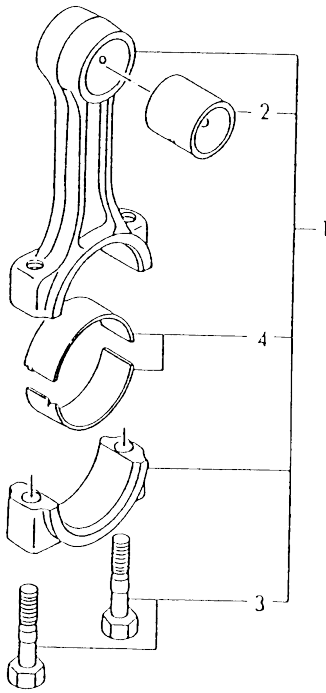
(D)=
(E)=
(F)=

No.	Lev.	Parts No.	Description	Q'ty						I	R
				(A)	(B)	(C)	(D)	(E)	(F)		
1	1	119600-22091	PISTON ASSY	3							
1-1	1	119600-22092 (A=E06266)	PISTON ASSY	3							N
2	2	719600-22501	RING SET, PISTON	3							
2-1	2	719630-22502 (A=*1990.05)	RING SET, PISTON	3							N
3	1	119620-22300	PIN, PISTON	3							
4	1	22252-000210	RING, 21	6							

OCD10-M41702

Fig.18. CONNECTING ROD

019620-23100



OCD10-M41702 Fig.18

(A)=3TNA68L-UKS
(B)=
(C)=

(D)=
(E)=
(F)=

No.	Lev.	Parts No.	Description	Q'ty					
				(A)	(B)	(C)	(D)	(E)	(F)
1	1	719620-23100	ROD ASSY. CONNECTING	3					
2	2	119620-23100	BEARING, PISTON PIN	3					
3	2	105225-23200	BOLT, CONNECTING ROD	6					
4	2	719620-23600	BEARING, CRANK PIN	3					

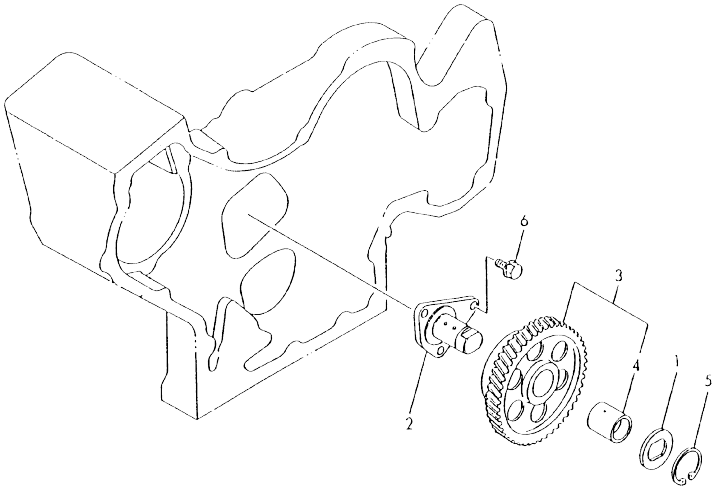
Fig.19. IDLE GEAR

019660-25101

(A)=3TNA68L-UKS
(B)=
(C)=

(D)=
(E)=
(F)=

No.	Lev.	Parts No.	Description	Q'ty					
				(A)	(B)	(C)	(D)	(E)	(F)
1	1	119660-25022	RETAINER	1					
2	1	119660-25052	SHAFT, IDLE	1					
3	1	119620-25102	GEAR ASSY, IDLE	1					
4	2	119620-25062	BUSH, IDLE GEAR	1					
5	1	22242-000200	RING, 20	1					
6	1	26106-060122	BOLT, M6X 12 PLATED	3					



OCD10-M41702

Fig.20. FUEL FEED PUMP GEAR

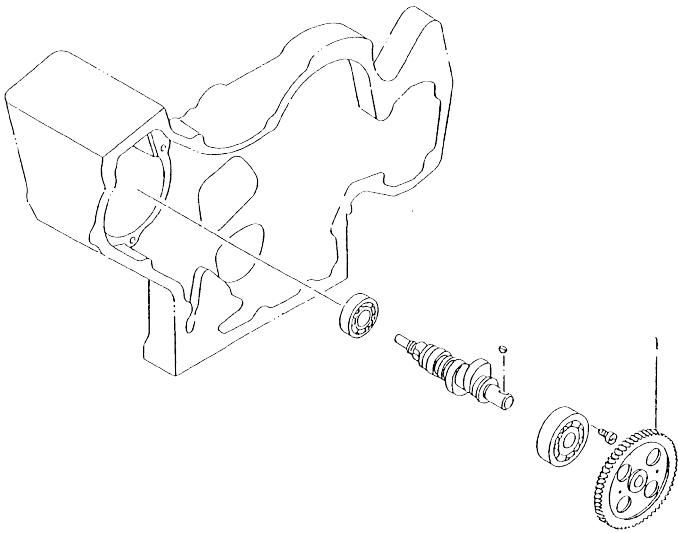
D19660-25201

OCD10-M41702 Fig.20

(A)=3TNA68L-UKS
(B)=
(C)=

(D)=
(E)=
(F)=

No.	Lev.	Parts No.	Description	Q'ty						I	R
				(A)	(B)	(C)	(D)	(E)	(F)		
1	1	119660-25902 (A=1990.05)	GEAR, PUMP	1						Z	



OCD10-M41702

Fig.21. LUB.OIL PUMP

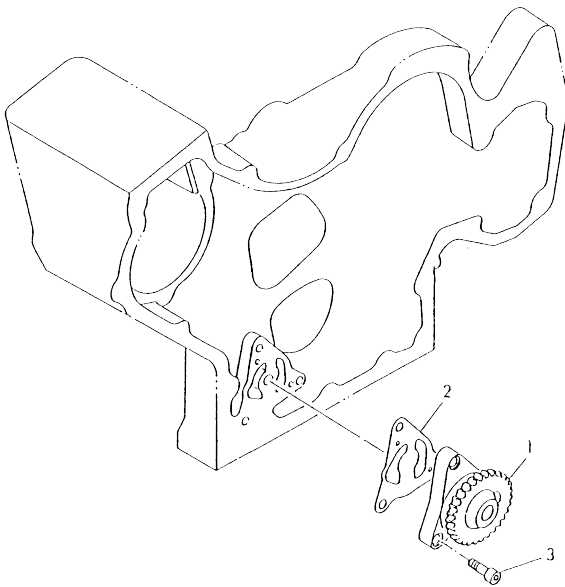
OCD10-M41702 Fig.21

(A)=3TNA68L-UKS
(B)=
(C)=

(D)=
(E)=
(F)=

019660-32100

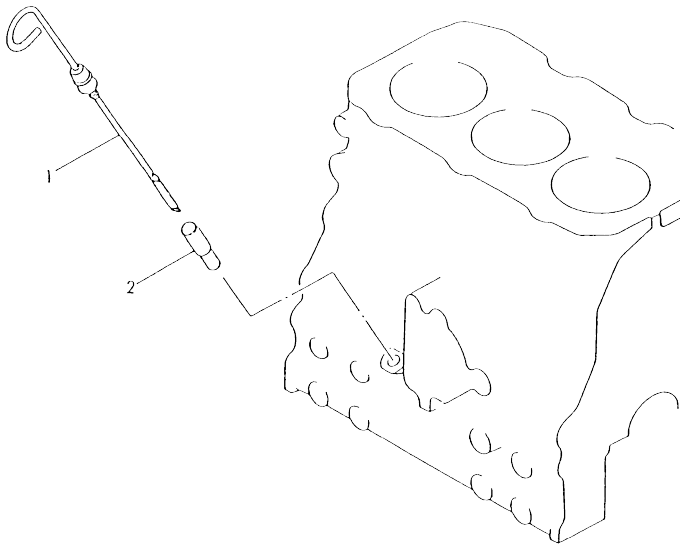
No.	Lev.	Parts No.	Description	Q'ty						I	R
				(A)	(B)	(C)	(D)	(E)	(F)		
1	1	119660-32001	PUMP ASSY, OIL	1							
2	1	119660-32020	GASKET, PUMP	1							
3	1	26450-060202	BOLT, M6X 20	3							



OCD10-M41702

Fig.22. LUB.OIL DIPSTICK

D19600-34110



OCD10-M41702 Fig.22

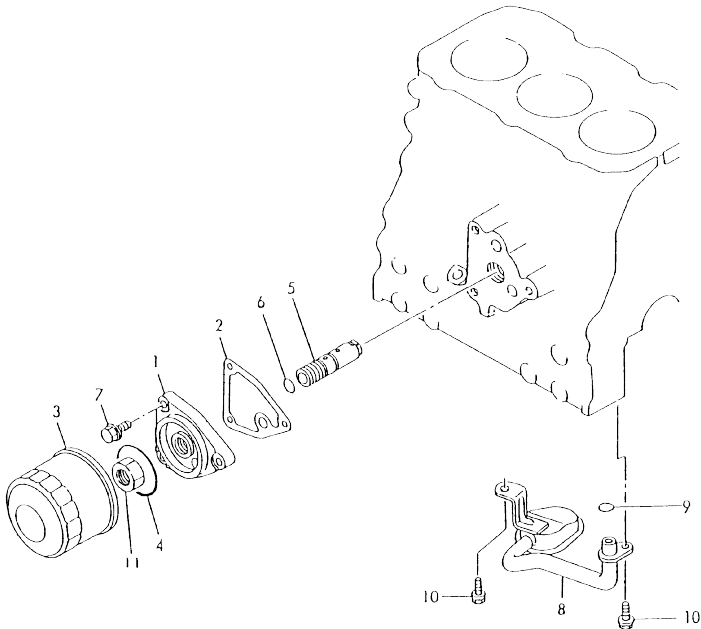
(A)=3TNA68L-UKS
(B)=
(C)=

(D)=
(E)=
(F)=

No.	Lev.	Parts No.	Description	Q'ty					
				(A)	(B)	(C)	(D)	(E)	(F)
1	1	119600-34800	DIPSTICK, OIL	1					
2	1	121520-34810	GUIDE, DIPSTICK	1					

Fig.23. LUB.OIL STRAINER

019600-35100
019600-35210



(A)=3TNA68L-UKS
(B)=
(C)=

(D)=
(E)=
(F)=

No.	Lev.	Parts No.	Description	Q'ty						I	R
				(A)	(B)	(C)	(D)	(E)	(F)		
1	1	119660-35102	BRACKET, FILTER	1							
2	1	119660-35112	GASKET	1							
2-1	1	119660-35113	GASKET	1							R
(A=1990.02)											
3	1	119660-35150	FILTER, LUB. OIL	1							
4	2	124450-35110	O-RING	1							
5	1	119660-35300	VALVE ASSY, CONTROL	1							
6	1	24311-000160	O-RING, 1AP16.0	1							
7	1	26106-080202	BOLT, M8X 20 PLATED	3							
8	1	119600-35081	PIPE ASSY, OIL INLET	1							
9	1	24311-000120	O-RING, 1AP12.0	1							
10	1	26106-060102	BOLT, M6X 10 PLATED	2							
11	1	129150-35350	NUT	1							W
(A=E02563)											

OCD10-M41702

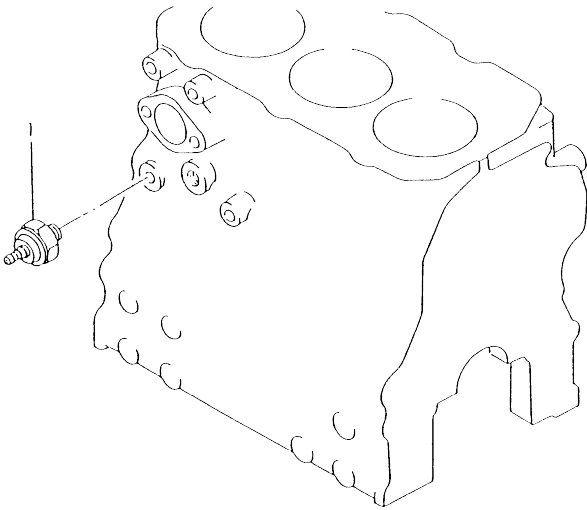
Fig.24. LUB.OIL PRESSURE SWITCH

OCD10-M41702 Fig.24

(A)=3TNA68L-UKS
(B)=
(C)=

(D)=
(E)=
(F)=

D19600-39100



No.	Lev.	Parts No.	Description	Q'ty						I	R
				(A)	(B)	(C)	(D)	(E)	(F)		
1	1	124160-39450	SWITCH, 0.5KG	1							

Fig.25. COOLING WATER PUMP

(A)=3TNA68L-UKS
(B)=
(C)=

(D)=
(E)=
(F)=

発行No. 000Y00D4172-1
更新年月: 2007.02
REVISED: Febru. 2007

No.	Lev.	Parts No.	Description	Q'ty						I	R
				(A)	(B)	(C)	(D)	(E)	(F)		
1	1	119660-42003	PUMP ASSY, WATER	1							
1-1	1	119660-42004	PUMP ASSY, WATER	1							N
(A=1990.02)											
1J	2	119620-42320	O-RING	1							
2	1	119620-42020	GASKET, WATER PUMP	1							
3	1	119640-42290	V-BELT, FM36.5	1							
4	1	119660-42350	V-PULLEY	1							
5	1	26106-080452	BOLT, M8X 45 PLATED	4							
6	1	26106-060102	BOLT, M6X 10 PLATED	4							

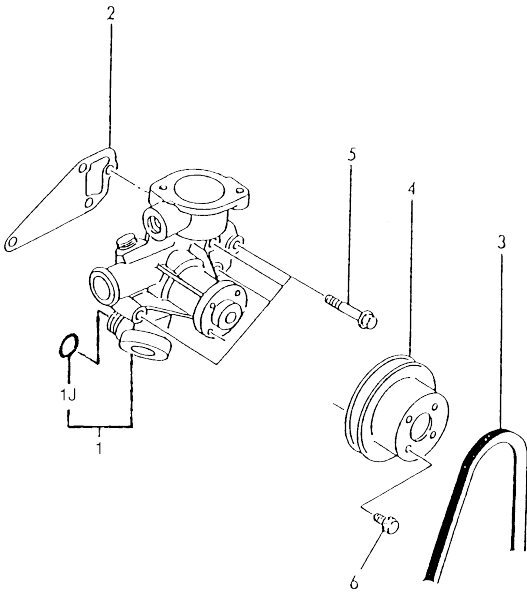


Fig.26. RADIATOR & FAN MOTOR

015546-93000

(A)=3TNA68L-UKS
(B)=
(C)=

(D)=
(E)=
(F)=

No.	Lev.	Parts No.	Description	Q'ty						I	R
				(A)	(B)	(C)	(D)	(E)	(F)		
1	1	119646-44700	MOTOR, FAN	1							
2	1	119646-44500	RADIATOR	1							
3	2	XR904110700	CAP, RADIATOR	1							
4	1	121450-44510	TANK ASSY, SUB	1							
5	2	121450-44530	CAP	1							
6	2	124450-44560	RETAINER	1							
7	2	23065-070180	PIPE, 7X 180	1							
8	1	121470-44540	LABEL, SUB-TANK	1							
9	1	121256-44600	BRACKET, SUB TANK	1							
10	1	124450-44550	BAND	1							

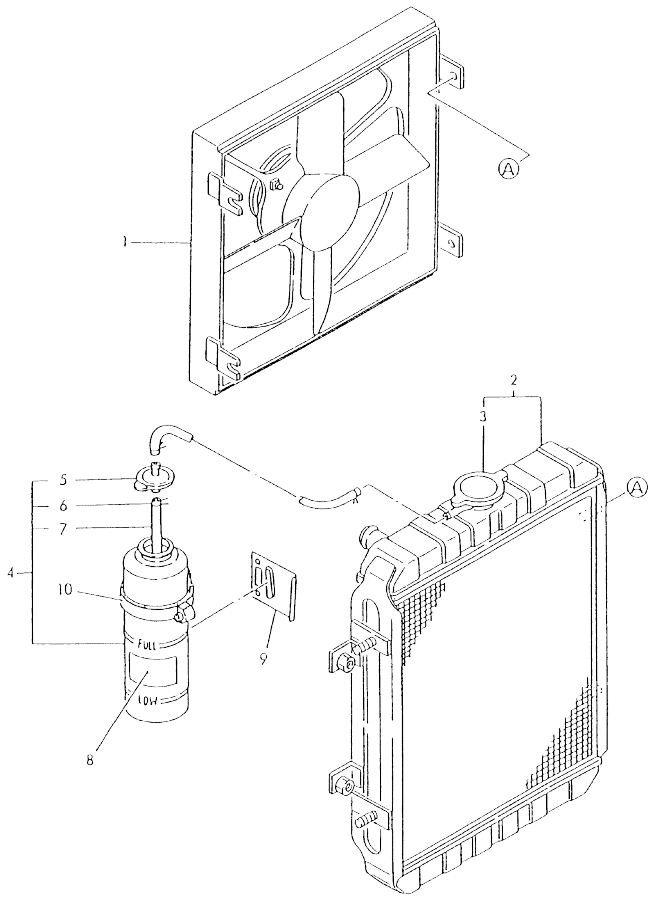
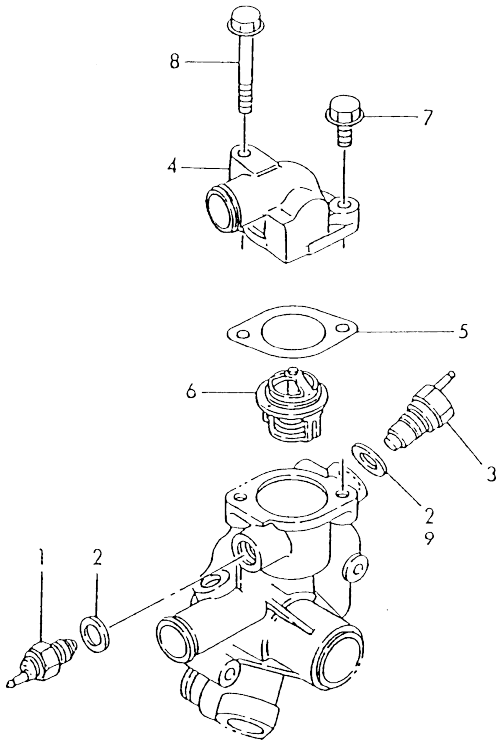


Fig.27. THERMOSTAT

019646-49220
019646-49600



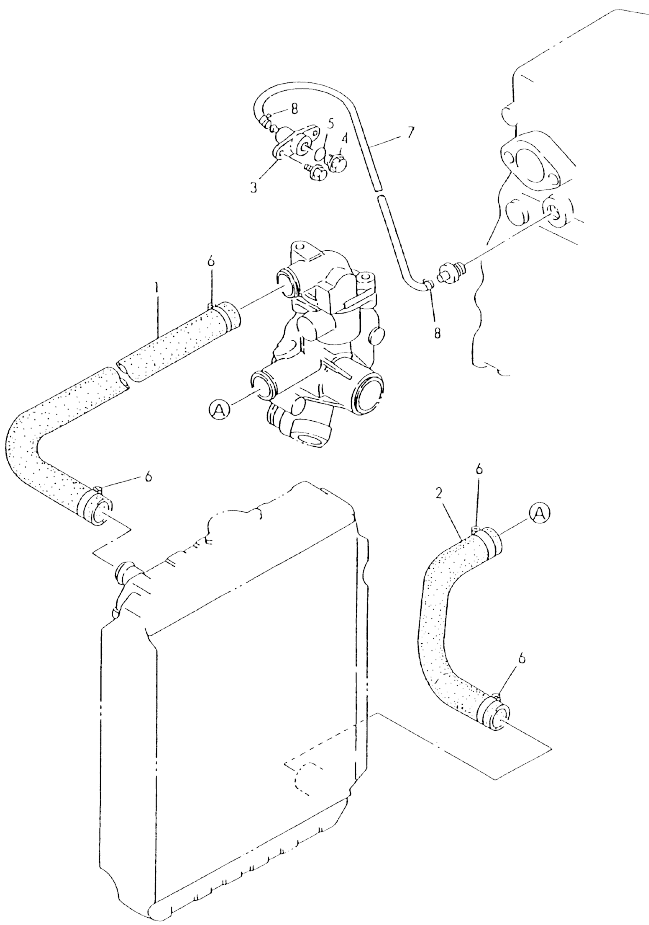
(A)=3TNA68L-UKS
(B)=
(C)=

(D)=
(E)=
(F)=

No.	Lev.	Parts No.	Description	Q'ty						I	R
				(A)	(B)	(C)	(D)	(E)	(F)		
1	1	121250-44901	SWITCH, 110	1							
2	1	124465-44950	GASKET, 16	2							
2-1	1	124465-44950	GASKET, 16	1							K
(A=*1990.10)											
3	1	171005-49380	SWITCH	1							
3-1	1	119646-44900	SWITCH, 80	1							N
(A=E*XXX)											
3-2	1	119646-44901	SWITCH, 70	1							N
(A=*1990.10)											
4	1	124101-49530	COVER, THERMOSTAT	1							
5	1	129350-49540	GASKET	1							
5-1	1	129350-49541	GASKET	1							N
(A=*1990.05)											
6	1	129350-49800	THERMOSTAT, 71	1							
7	1	26106-080252	BOLT, M8X 25 PLATED	1							
8	1	26106-080552	BOLT, M8X 55 PLATED	1							
9	1	43400-500490	SEAL WASHER 16S	1							W
(A=*1990.10)											

Fig.28. COOLING WATER LINES

019646-93000



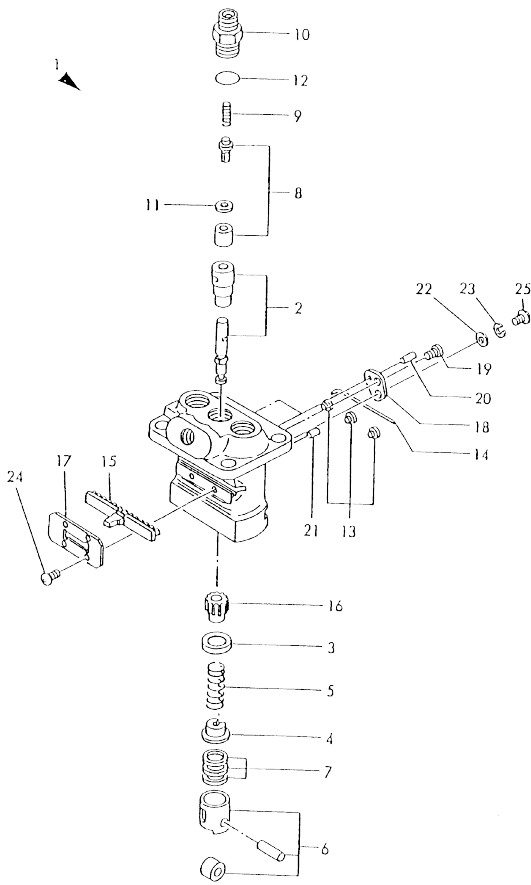
(A)=3TNA68L-UKS
(B)=
(C)=

(D)=
(E)=
(F)=

No.	Lev.	Parts No.	Description	Q'ty						I	R
				(A)	(B)	(C)	(D)	(E)	(F)		
1	1	119646-49010	PIPE, WATER	1							
2	1	119646-49020	PIPE, WATER	1							
3	1	121521-49100	BODY ASSY, COCK	1							
4	1	121250-49121	PLUG, DRAIN	1							
5	1	24311-000160	O-RING, 1AP16.0	1							
6	1	23010-038000	CLAMP, 38	4							
7	1	171022-49160	PIPE, DRAIN L=650	1							
8	1	124766-59050	CLIP, HOSE 12	2							

Fig.29. FUEL INJECTION PUMP

719646-51300



(A)=3TNA68L-UKS
(B)=
(C)=

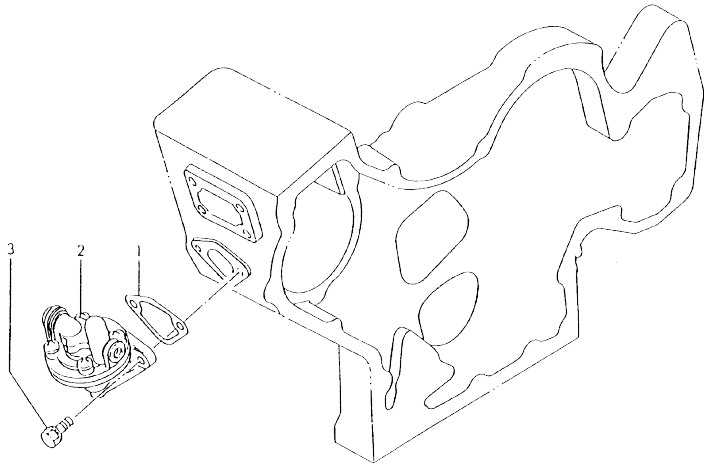
(D)=
(E)=
(F)=

No.	Lev.	Parts No.	Description	Q'ty						I	R
				(A)	(B)	(C)	(D)	(E)	(F)		
1	1	719660-51100	PUMP ASSY, INJECTION	1							
2	2	119620-51101	PLUNGER ASSY	3							
3	2	119620-51170	RETAINER, SPRING A	3							
4	2	119620-51180	RETAINER, SPRING B	3							
5	2	119620-51190	SPRING, PLUNGER	3							
6	2	119620-51700	TAPPET ASSY	3							
7	2	119620-51250	SHIM SET	3							
8	2	119620-51300	VALVE ASSY, DELIVERY	3							
9	2	105546-51330	SPRING, DELIVERY	3							
10	2	119620-51340	HOLDER, DELIVERY	3							
11	2	119620-51350	GASKET	3							
12	2	119620-51370	O-RING	3							
13	2	119620-51450	PIECE	3							
14	2	119620-51461	PIN	1							
15	2	119660-51500	RACK, CONTROL	1							
16	2	119620-51510	PINION	3							
17	2	119660-51530	RETAINER, RACK	1							
18	2	119620-51650	PLATE	2							
19	2	119620-51660	SCREW	2							
20	2	119620-51670	PIN	2							
21	2	119620-51680	PIN	1							
22	2	22137-040000	WASHER, 4	2							
23	2	22217-040000	WASHER, SPRING 4	2							
24	2	26022-040082	SCREW, M4X 8	4							
25	2	26587-040102	SCREW, M4X10	2							

OCD10-M41702

Fig.30. FUEL FEED PUMP

D19620-53100



OCD10-M41702 Fig.30

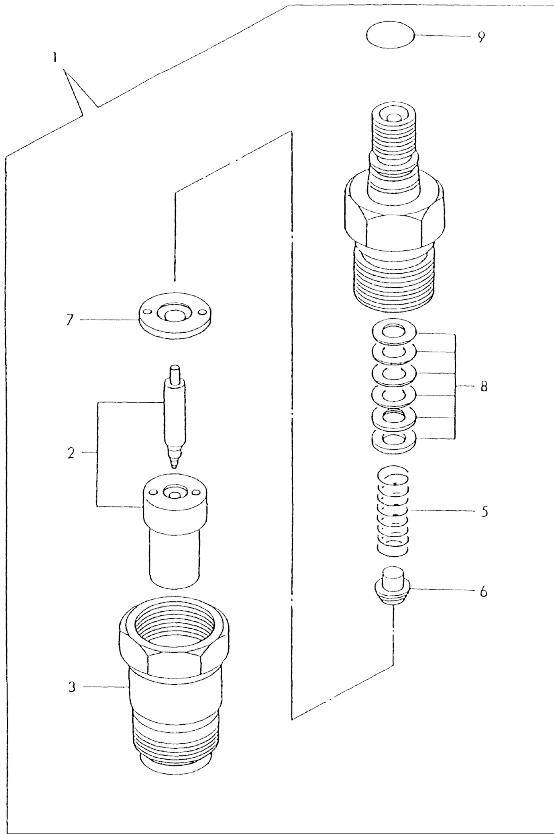
(A)=3TNA68L-UKS
(B)=
(C)=

(D)=
(E)=
(F)=

No.	Lev.	Parts No.	Description	Q'ty						I	R
				(A)	(B)	(C)	(D)	(E)	(F)		
1	1	121520-01850	GASKET	1							
1-1	1	121520-01851 (A=1990.02)	GASKET	1							R
2	1	119600-52021	PUMP ASSY, FUEL FEED	1							
3	1	26014-060202	BOLT, M6X 20	2							

Fig.31. FUEL INJECTION VALVE

015620-53100



(A)=3TNA68L-UKS
(B)=
(C)=

(D)=
(E)=
(F)=

No.	Lev.	Parts No.	Description	Q'ty						I	R
				(A)	(B)	(C)	(D)	(E)	(F)		
1	1	719620-53100	VALVE ASSY,INJECTION	3							
2	2	119620-53000	VALVE ASSY,INJECTION	3							
3	2	119620-53080	NUT, NOZZLE	3							
5	2	119620-53120	SPRING, NOZZLE	3							
6	2	114250-53130	SEAT, SPRING	3							
7	2	119620-53140	SPACER, VALVE STOP	3							
8	2	114250-53400	SHIM SET	3							
9	2	129155-61830	O-RING, S10	3							

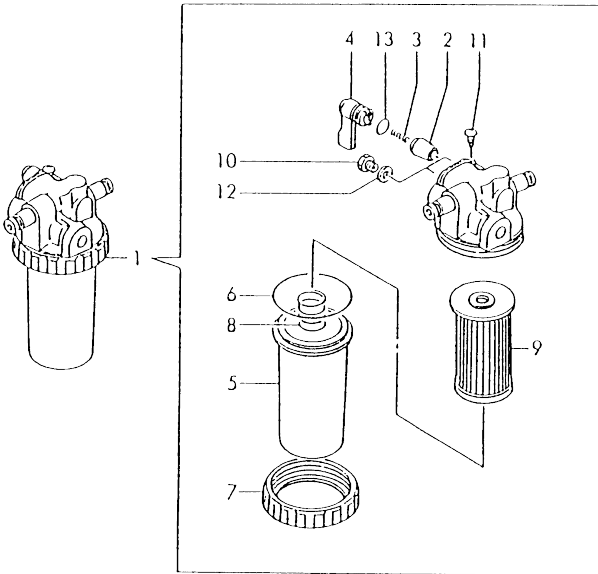
Fig.32. FUEL STRAINER

019646-93000

(A)=3TNA68L-UKS
(B)=
(C)=

(D)=
(E)=
(F)=

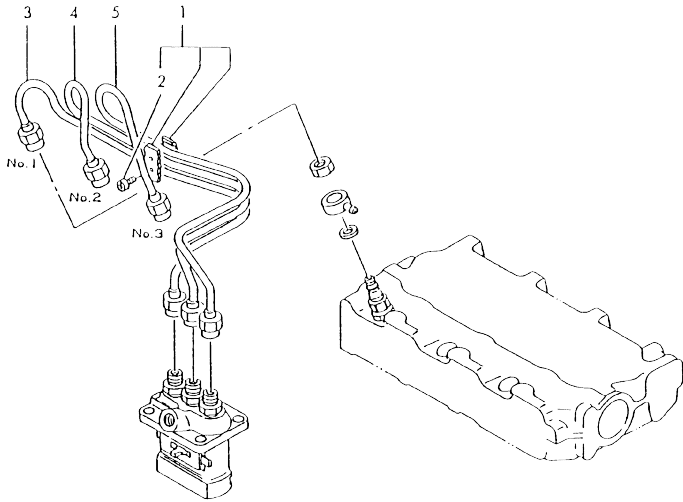
No.	Lev.	Parts No.	Description	Q'ty						I	R
				(A)	(B)	(C)	(D)	(E)	(F)		
1	1	121254-55600	STRAINER ASSY, FUEL	1							
2	2	104200-55321	VALVE, TAPER	1							
3	2	104200-55330	SPRING, VALVE	1							
4	2	104200-55341	HANDLE	1							
5	2	121254-55510	COVER	1							
6	2	102103-55520	O-RING	1							
7	2	110250-55610	RING, RETAINING	1							
8	2	121250-55620	SPRING	1							
9	2	124550-55700	FILTER, FUEL L=90	1							
10	2	101720-55750	PLUG, 6	2							
11	2	104200-55750	SCREW, M4	1							
12	2	23418-060000	GASKET, 6X1.0	2							
13	2	24311-240100	O-RING, 1AP10A	1							



N:Old $\frac{New}{Old}$ New. Q:Old $\frac{New}{Old}$ New. R:Old $\frac{New}{Old}$ New. S:Old $\frac{New}{Old}$ New. W:Add. Z:Discontinued. F:Interchangeable by set. K:Q'ty Change
Copyright (C) YANMAR CO., LTD. All Rights Reserved.

Fig.33. FUEL INJECTION PIPE

D19620-59100



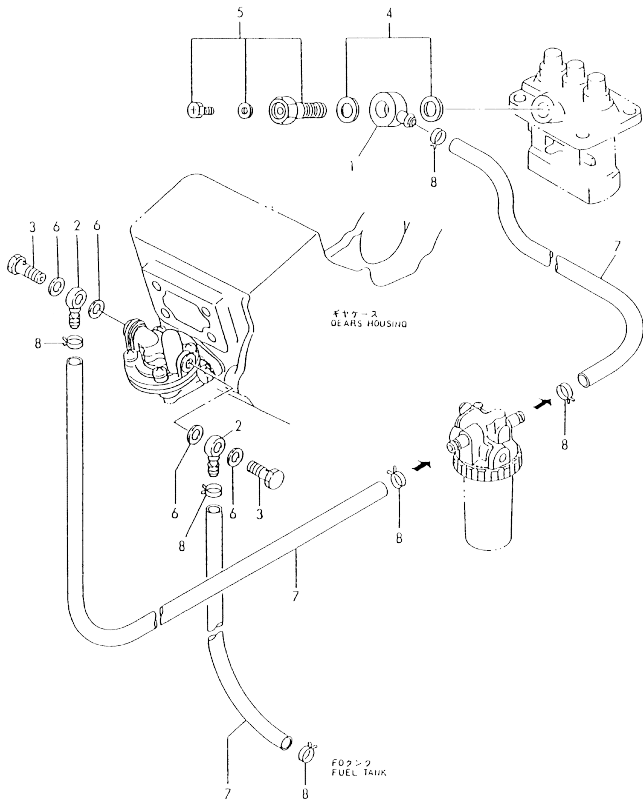
(A)=3TNA68L-UKS
(B)=
(C)=

(D)=
(E)=
(F)=

No.	Lev.	Parts No.	Description	Q'ty						I	R
				(A)	(B)	(C)	(D)	(E)	(F)		
1	1	129150-59120	RETAINER, PIPE	1							
2	2	129150-59130	BOLT, M4X12	2							
3	1	119620-59810	PIPE ASSY, INJECTION	1							
3-1	1	119620-59811 (A=E07704)	PIPE ASSY, INJECTION	1							R
4	1	119620-59820	PIPE ASSY, INJECTION	1							
4-1	1	119620-59821 (A=E07704)	PIPE ASSY, INJECTION	1							R
5	1	119620-59830	PIPE ASSY, INJECTION	1							
5-1	1	119620-59831 (A=E07704)	PIPE ASSY, INJECTION	1							R

Fig.34. FUEL LINES

019646-59700
019646-93000



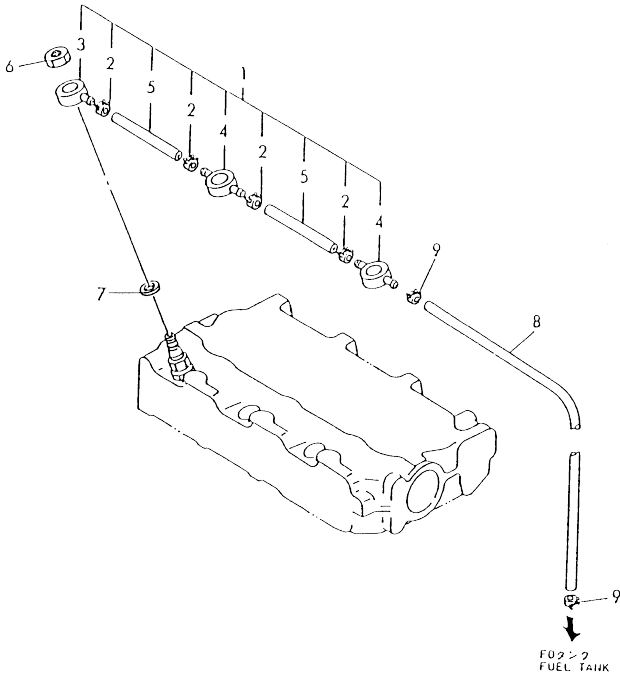
(A)=3TNA68L-UKS
(B)=
(C)=

(D)=
(E)=
(F)=

No.	Lev.	Parts No.	Description	Q'ty						I	R
				(A)	(B)	(C)	(D)	(E)	(F)		
1	1	101304-59020	JOINT, PIPE 12	1							
2	1	104264-59030	JOINT, PIPE 8	2							
3	1	105582-59150	BOLT, PIPE JOINT	2							
4	1	104200-59170	GASKET, 12	2							
5	1	103854-59191	BOLT ASSY, JOINT M12	1							
6	1	23414-080012	GASKET, 8X1.0	4							
7	1	121525-59090	PIPE, FUEL D12X2500	1							
8	1	124766-59050	CLIP, HOSE 12	6							

Fig.35. FUEL RETURN PIPE

019620-59300
019646-93000



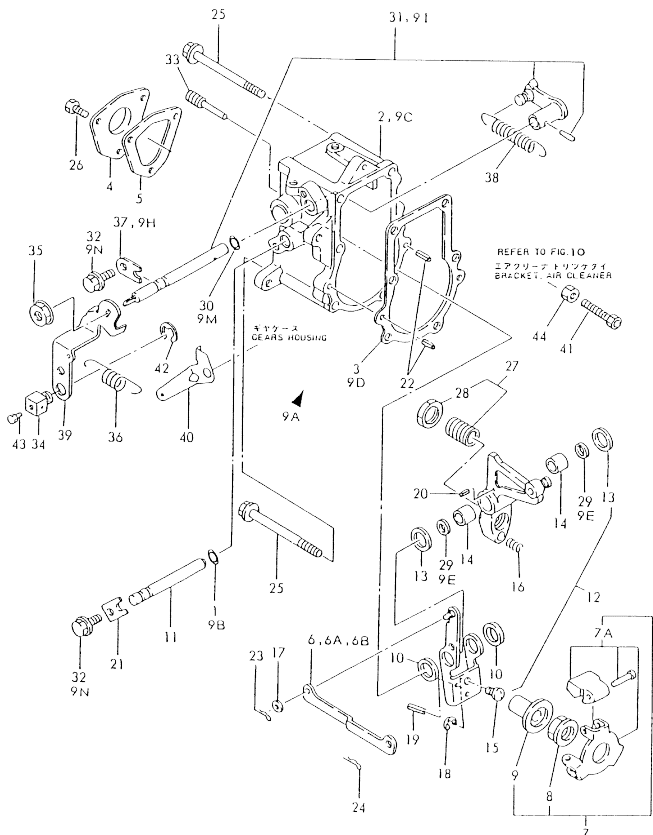
(A)=3TNA68L-UKS
(B)=
(C)=

(D)=
(E)=
(F)=

No.	Lev.	Parts No.	Description	Q'ty					
				(A)	(B)	(C)	(D)	(E)	(F)
1	1	119620-59540	PIPE ASSY, FUEL	1					
2	2	124066-59100	CLIP, HOSE 8	4					
3	2	129155-59520	JOINT	1					
3-1	2	119260-59520	JOINT	1					
		(A=E05515)							
4	2	129155-59530	JOINT	2					
4-1	2	119260-59530	JOINT	2					
		(A=E05515)							
5	2	105025-59550	PIPE, FUEL RETURN	2					
6	1	119620-59700	NUT, NOZZLE	3					
7	1	23414-140000	GASKET, 14X1.0	3					
8	1	23780-041300	HOSE, FUEL 4X1300	1					
9	1	124066-59100	CLIP, HOSE 8	2					

Fig.36. GOVERNOR

715645-51300



(A)=3TNA68L-UKS
(B)=
(C)=

(D)=
(E)=
(F)=

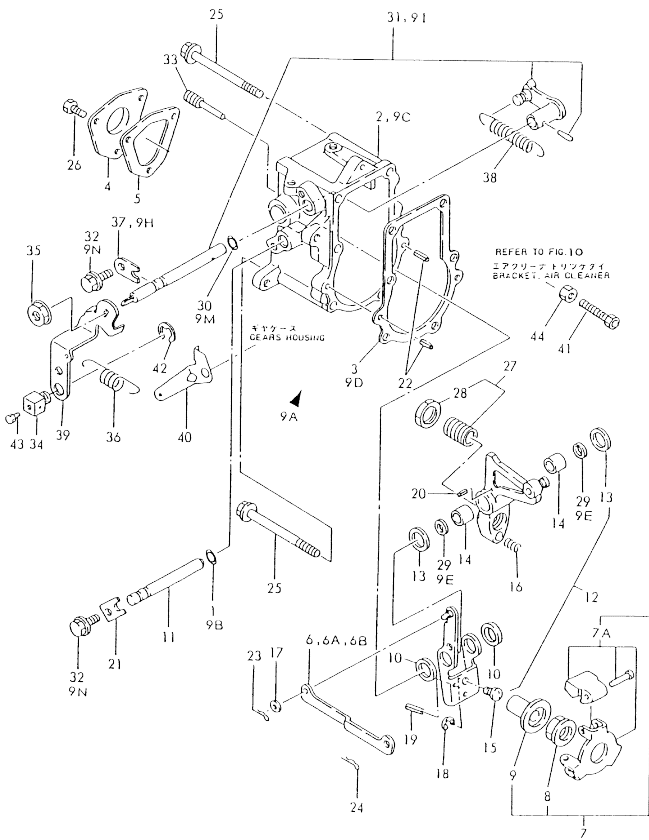
No.	Lev.	Parts No.	Description	Q'ty						I	R
				(A)	(B)	(C)	(D)	(E)	(F)		
1		129155-51280	O-RING, S6	1							Z
		(A=E08877)									
2		119660-61013	CASE, GOVERNOR	1							Z
		(A=E08877)									
3		119660-61051	GASKET	1							Z
		(A=E08877)									
4		119660-61060	COVER, GOVERNOR CASE	1							
5		119660-61070	GASKET	1							
5-1		119660-61071	GASKET	1							N
		(A=1990.02)									
6		119660-61121	LINK, NO MARK	1							
6A		119660-61140	LINK, MARK :2	1							W 1
		(A=E08877)									
6B		119660-61150	LINK, MARK :3	1							W 1
		(A=E08877)									
7		119600-61100	DRIVE ASSY	1							W
		(A=E08877)									
7A		119600-61200	WEIGHT ASSY, GOVERNOR	1							
8		119660-61300	NUT	1							
9		119660-61341	SLEEVE	1							
9A		119610-61200	CASE ASSY, GOVERNOR	1							W
		(A=E08877)									
9B		129155-51280	O-RING, S6	1							W
		(A=E08877)									
9C		119660-61013	CASE, GOVERNOR	1							W
		(A=E08877)									
9D		119660-61052	GASKET	1							W
		(A=E08877)									
9E		119660-61460	SHIM SET	1							W
		(A=E08877)									
9H		119600-61900	RETAINER, SHAFT	1							W
		(A=E08877)									
9I		119621-66091	SHAFT ASSY	1							W
		(A=E08877)									
9M		24341-000070	O-RING, 1AS7.0	1							W
		(A=E08877)									
9N		26106-060102	BOLT, M6X 10 PLATED	2							W
		(A=E08877)									
10		129155-61480	SPACER ASSY	2							
11		119660-61491	SHAFT	1							
12		119656-61500	LEVER ASSY, GOVERNOR	1							
		(A=1990.05)									
13		174307-51700	SHIM SET	2							
14		121450-61520	BEARING, NEEDLE 8	2							
15		119600-61540	SHIFTER	1							
16		119660-61651	SPRING, STARTING	1							
17		22117-040000	WASHER, 4	1							
18		22272-000040	RING, E- 4	1							
19		22351-020004	PIN, SPRING 2.0X 4	1							
20		22351-030014	PIN, SPRING 3.0X14	1							
21		119660-61901	RETAINER, SHAFT	1							

Remarks
(1) REPAIR PARTS

N:Old New, Q:Old New, R:Old New, S:Old New, W:Add, Z:Discontinued, F:Interchangeable by set, K:Qty Change
++ CONTINUE ++
Copyright (C) YANMAR CO., LTD. All Rights Reserved.

Fig.36. GOVERNOR

715645-51300



(A)=3TNA68L-UKS
(B)=
(C)=

(D)=
(E)=
(F)=

No.	Lev.	Parts No.	Description	Qty						I	R
				(A)	(B)	(C)	(D)	(E)	(F)		
22	1	22351-040010	PIN, SPRING 4.0X10	2							
23	1	22360-040000	PIN, SNAP 4	1							
24	1	22360-060000	PIN, SNAP 6	1							
25	1	26106-060702	BOLT, M6X 70 PLATED	6							
26	1	26116-050102	BOLT, M5X 10 PLATED	3							
27	1	119600-66720	ANGLEICH ASSY	1							
28	2	129155-61590	NUT, LOCK	1							
29	1	119660-61460	SHIM SET	1							Z
		(A=EXXX)									
30	1	24341-000070	O-RING, 1AS7.0	1							Z
		(A=EXXX)									
31	1	119621-66091	SHAFT ASSY	1							Z
		(A=EXXX)									
32	1	26106-060102	BOLT, M6X 10 PLATED	2							Z
		(A=EXXX)									
33	1	124250-03640	SCREW	1							
34	1	124066-03770	RETAINER	1							
35	1	194990-22050	NUT, M8	1							
36	1	119840-61870	SPRING	1							
37	1	119600-61900	RETAINER, SHAFT	1							Z
		(A=EXXX)									
38	1	119600-66020	SPRING, REGULATOR	1							
39	1	119640-66051	HANDLE, REGULATOR	1							
40	1	119656-66910	HOOK	1							
41	1	102100-67080	BOLT, ADJUSTING	1							
42	1	22272-000050	RING, E- 5	1							
43	1	26116-040088	BOLT, M4X 8 PLATED	1							
44	1	26756-060002	NUT, LOCK M6	1							

Remarks
(1) REPAIR PARTS

N:Old $\frac{100}{100}$ New, Q:Old $\frac{100}{100}$ New, R:Old $\frac{100}{100}$ New, S:Old $\frac{100}{100}$ New, W:Add, Z:Discontinued, F:Interchangeable by set, K:Qty Change
Copyright (C) YANMAR CO., LTD. All Rights Reserved.

Fig.37. CONTROL SYSTEM

(A)=3TNA68L-UKS
(B)=
(C)=

(D)=
(E)=
(F)=

119646-51300
029426-66400

No.	Lev.	Parts No.	Description	Q'ty						I	R
				(A)	(B)	(C)	(D)	(E)	(F)		
1	1	119600-66530	LIMITER ASSY, FUEL	1							
2	1	124772-66750	NUT, LOCK M12	1							
3	1	129100-61930	NUT, CAP	1							
4	1	43400-500450	SEAL WASHER 12S	2							
5	1	135210-61090	LEAD	1							
6	1	124550-66370	NUT, M6	1							
7	1	121575-66830	SCREW	1							
8	1	119600-66840	NUT, CAP	1							
9	1	22451-060000	WIRE, 0.6	1							
10	1	43400-500400	SEAL WASHER 6	2							

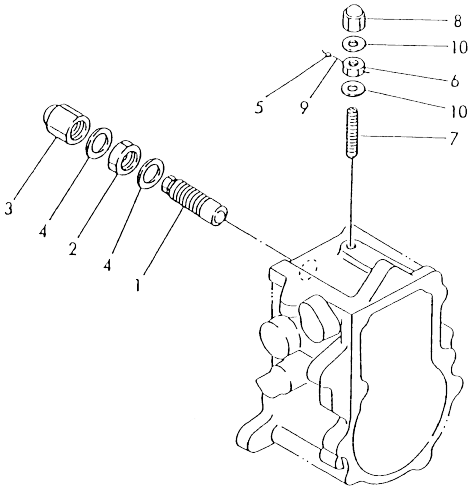
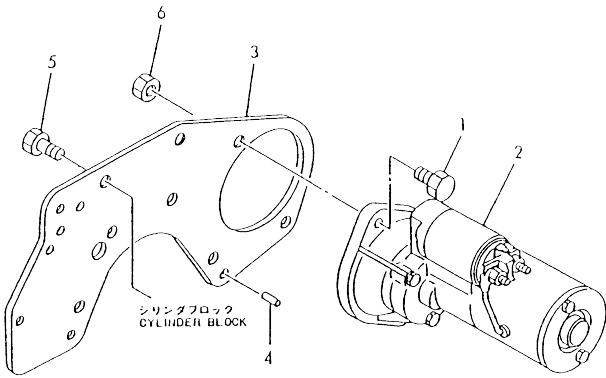


Fig.38. STARTING MOTOR

019646-77110
019656-77800



(A)=3TNA68L-UKS
(B)=
(C)=

(D)=
(E)=
(F)=

No.	Lev.	Parts No.	Description	Q'ty						I	R
				(A)	(B)	(C)	(D)	(E)	(F)		
1	1	121476-01620	BOLT	2							
2	1	124976-77011	STARTER, S114-349A	1							
3	1	119656-77041	BRACKET, STARTER	1							
4	1	22312-080160	PIN, PARALLEL M8X16	2							
4-1	1	129100-01580	PIN, M8X16	2							N
(A=E04997)											
5	1	26206-100202	BOLT, M10X 20 PLATED	6							
6	1	26716-120002	NUT, M12	2							

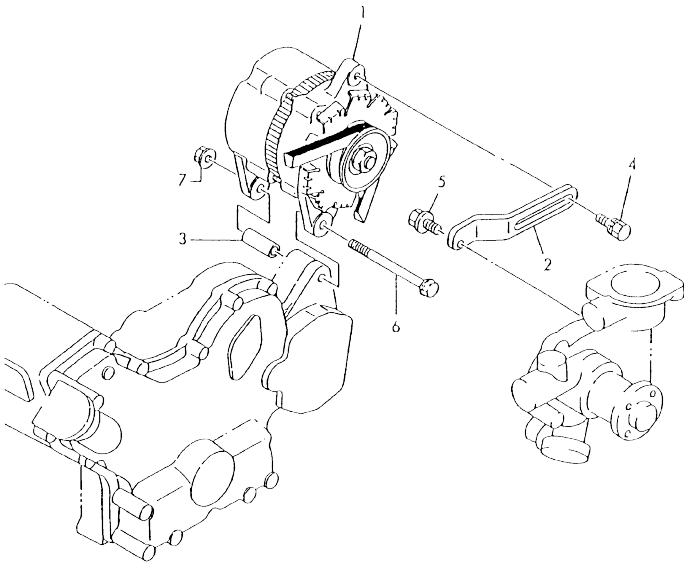
Fig.39. GENERATOR

D19646-77210
D19660-77310

(A)=3TNA68L-UKS
(B)=
(C)=

(D)=
(E)=
(F)=

No.	Lev.	Parts No.	Description	Q'ty						I	R
				(A)	(B)	(C)	(D)	(E)	(F)		
1	1	119620-77200	GENERATOR, 12V-35A	1							
1-1	1	119620-77201	GENERATOR, 40A	1							R
		(A=*1990.)									
2	1	119660-77330	ADJUSTER	1							
3	1	119621-77340	PIECE, DISTANCE	1							Z
		(A=*1990.)									
4	1	26014-080252	BOLT, M8X 25	1							
5	1	26106-080182	BOLT, M8X 18 PLATED	1							
5-1	1	26106-080162	BOLT, M8X 16 PLATED	1							N
		(A=*1990.05)									
6	1	26106-081052	BOLT, M8X105 PLATED	1							
6-1	1	26106-100552	BOLT, M10X 55 PLATED	1							N
		(A=*1990.)									
7	1	26366-080002	NUT, M8	1							Z
		(A=*1990.)									



N:Old $\frac{100}{100}$ New, Q:Old $\frac{100}{100}$ New, R:Old $\frac{100}{100}$ New, S:Old $\frac{100}{100}$ New, W:Add, Z:Discontinued, F:Interchangeable by set, K:Q'ty Change
Copyright (C) YANMAR CO., LTD. All Rights Reserved.

OCD10-M41702

Fig.40. GLOW PLUG

OCD10-M41702 Fig.40

(A)=3TNA68L-UKS
(B)=
(C)=

(D)=
(E)=
(F)=

019654-77310
019650-77700

No.	Lev.	Parts No.	Description	Q'ty						I	R
				(A)	(B)	(C)	(D)	(E)	(F)		
1	1	129795-77800	PLUG, GLOW	3							
2	1	119645-77820	CONNECTOR, GLOW PLUG	1							

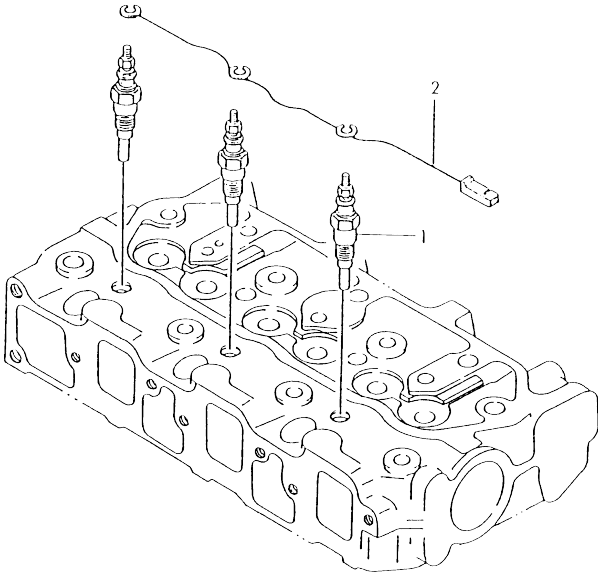


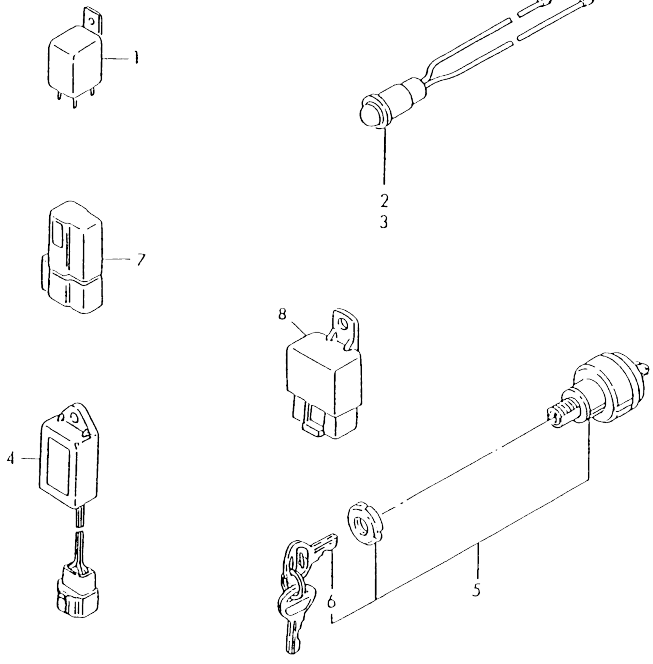
Fig.41. ELECTRIC PARTS

019646-93000

(A)=3TNA68L-UKS
(B)=
(C)=

(D)=
(E)=
(F)=

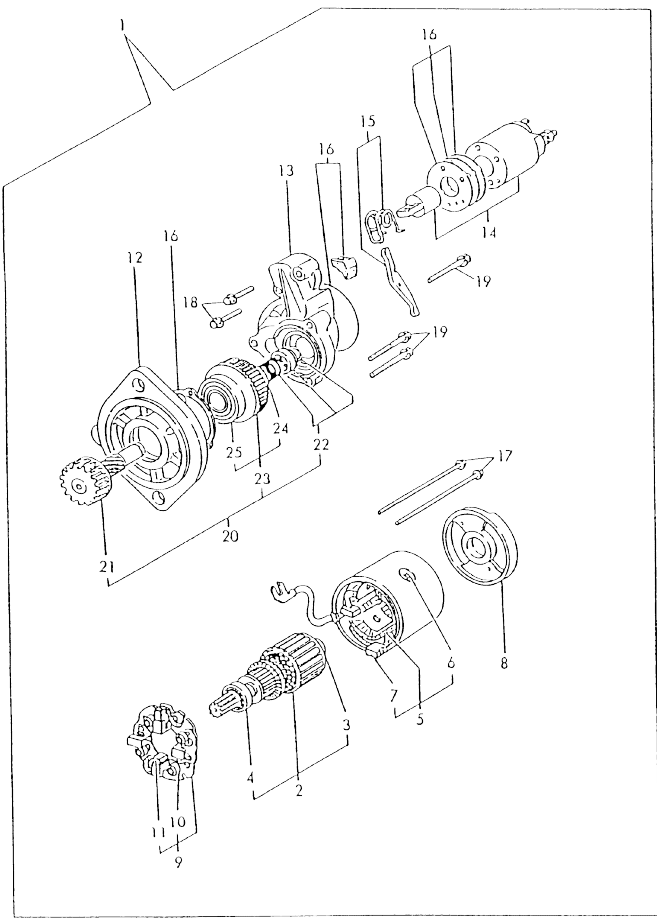
No.	Lev.	Parts No.	Description	Q'ty						I	R
				(A)	(B)	(C)	(D)	(E)	(F)		
1	1	121522-77101 (A=E17278)	RELAY, SAFETY	1							Z
2	1	124732-77720	LAMP, CHARGING	3							
3	1	124732-77970	LAMP, PILOT	1							
4	1	128300-77920	TIMER	1							
5	1	121400-91251	SWITCH, STARTER	1							
6	2	121400-91271	KEY, SWITCH	2							
7	1	119643-66900 (A=E17278)	DIODE	1							W
8	1	119247-77100 (A=E17278)	RELAY, SAFETY	1							W



N:Old $\frac{YES}{NO}$ New. Q:Old $\frac{HE}{VCC}$ New. R:Old $\frac{YES}{VCC}$ New. S:Old $\frac{NO}{NO}$ New. W:Add. Z:Discontinued. F:Interchangeable by set. K:Q'ty Change
Copyright (C) YANMAR CO., LTD. All Rights Reserved.

Fig.42. STARTING MOTOR(COMPONENT PARTS)

019646-71110



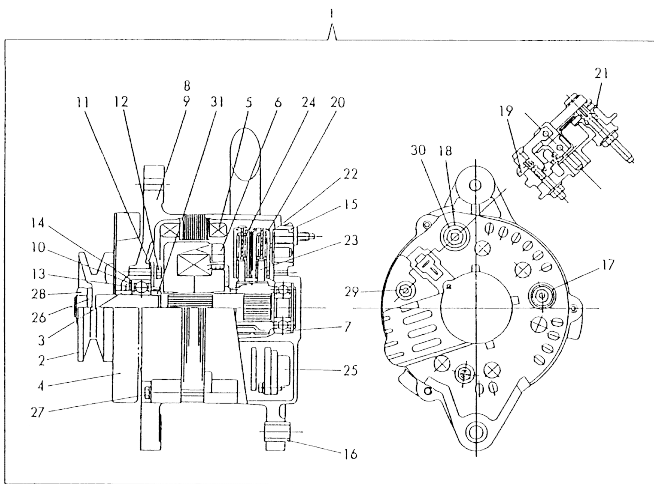
(A)=3TNA68L-UKS
(B)=
(C)=

(D)=
(E)=
(F)=

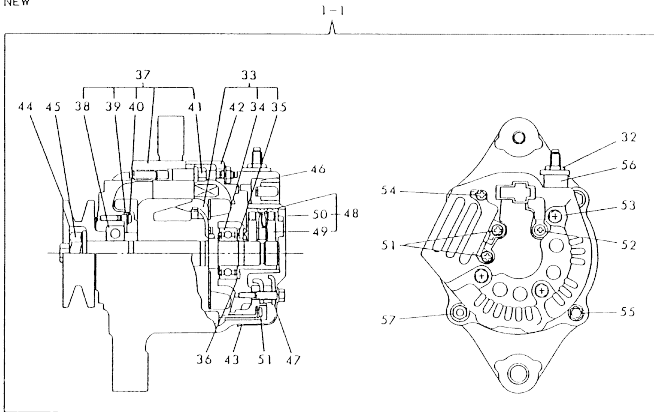
No.	Lev.	Parts No.	Description	Q'ty					
				(A)	(B)	(C)	(D)	(E)	(F)
1	1	124976-77011	STARTER, S114-349A	1					
2	2	X211451007	ARMATURE ASSY	1					
3	3	X211415502	BEARING, BALL	1					
4	3	X211425502	BEARING, BALL	1					
5	2	X211472106	COIL ASSY, FIELD	1					
6	3	X21148215	SCREW, POLE CORE	4					
7	3	X21143315	BRUSH (+)	2					
8	2	X211483003	COVER	1					
9	2	X211429007	HOLDER ASSY, BRUSH	1					
10	3	X21148314	SPRING, BRUSH	4					
11	3	X211459002	BRUSH (-)	2					
12	2	X211476504	HOUSING ASSY, GEAR	1					
13	2	X211414501	HOUSING, CENTER	1					
14	2	X211447007	SWITCH, MAGNETIC	1					
15	2	X21146012	LEVER, SHIFT	1					
16	2	X211448004	COVER KIT	1					
17	2	X211468005	BOLT, THROUGH	2					
18	2	X21145866	BOLT	2					
19	2	X21142867	BOLT	3					
20	2	X211415505	CLUTCH ASSY	1					
21	3	X211495009	SHAFT	1					
22	3	X211429006	STOPPER SET	1					
23	3	X211425505	CLUTCH ASSY	1					
24	4	X211435502	BALL BEARING	1					
25	4	X211445502	BALL BEARING	1					

Fig.43. GENERATOR(COMPONENT PARTS)

019646-11210



NEW



(A)=3TNA68L-UKS
(B)=
(C)=

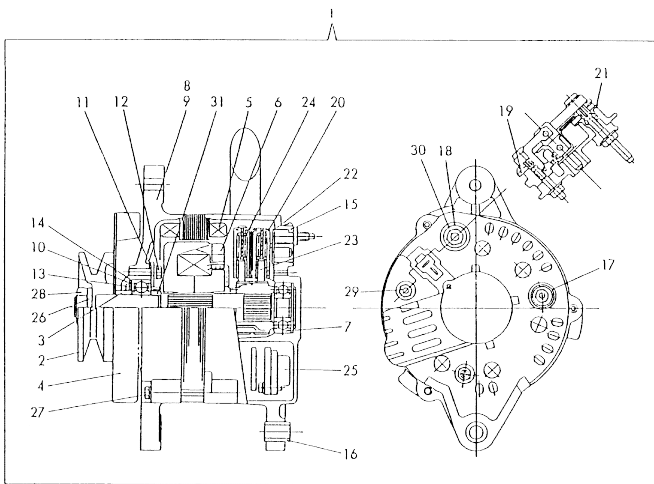
(D)=
(E)=
(F)=

No.	Lev.	Parts No.	Description	Qty						I	R
				(A)	(B)	(C)	(D)	(E)	(F)		
1	1	119620-77200	GENERATOR, 12V-35A	1							
1-1	1	119620-77201 (A=E14312)	GENERATOR, 40A	1							N
2	2	X0210412581 (A=E14312)	PULLEY	1							Z
3	2	X0210450040 (A=E14312)	COLLAR	1							Z
4	2	X0210510800 (A=E14312)	FAN	1							Z
5	2	X0211000880 (A=E14312)	STATOR	1							Z
6	2	X0212000480 (A=E14312)	ROTOR	1							Z
7	3	X9491000350 (A=E14312)	BEARING	1							Z
8	2	X0214002010 (A=E14312)	FRAME ASSY	1							Z
9	3	X0214011671 (A=E14312)	FRAME	1							Z
10	3	X0214050010 (A=E14312)	COVER	1							Z
11	3	X0214110280 (A=E14312)	PLATE	1							Z
12	3	X9480070010 (A=E14312)	SCREW	3							Z
13	3	X9490200230 (A=E14312)	FELT	1							Z
14	3	X9491000340 (A=E14312)	BEARING	1							Z
15	2	X0215014560 (A=E14312)	FRAME, REAR	1							Z
16	3	X0215410321 (A=E14312)	BUSH	1							Z
17	2	X0216050291 (A=E14312)	INSULATION	1							Z
18	2	X0216050301 (A=E14312)	INSULATION	1							Z
19	2	X0219972990 (A=E14312)	SERVICE KIT	1							Z
20	3	X0216202141 (A=E14312)	HOLDER ASSY	1							Z
21	4	X0216050890 (A=E14312)	INSULATION	2							Z
22	4	X0216250180 (A=E14312)	WASHER	1							Z
23	4	X0216600130 (A=E14312)	BRUSH	2							Z
24	4	X9491700570 (A=E14312)	SPRING	2							Z
25	2	X0260007000 (A=E14312)	REGULATOR ASSY	1							Z

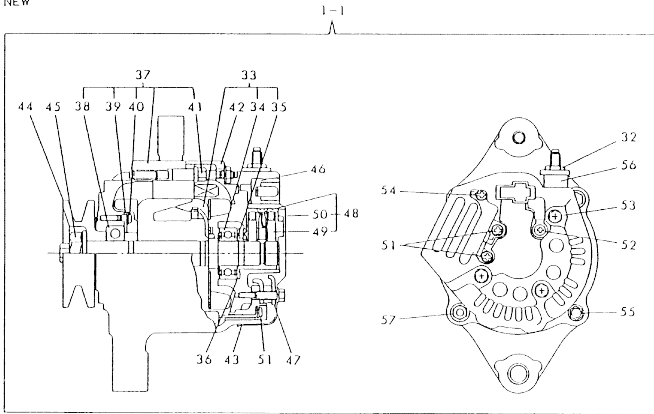
N:Old $\frac{New}{Old}$ New, Q:Old $\frac{New}{Old}$ New, R:Old $\frac{New}{Old}$ New, S:Old $\frac{New}{Old}$ New, W:Add, Z:Discontinued, F:Interchangeable by set, K:Qty Change
 ++ CONTINUE ++
 Copyright (C) YANMAR CO., LTD. All Rights Reserved.

Fig.43. GENERATOR (COMPONENT PARTS)

019646-11210



NEW

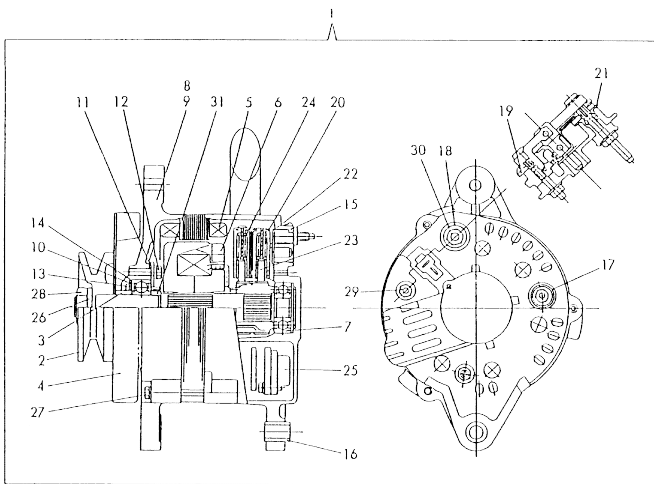


No.	Lev.	Parts No.	Description	Qty						I	R	
				(A)	(B)	(C)	(D)	(E)	(F)			
26	2	X9025814001 (A=E14312)	WASHER	1							Z	
27	2	X9480420910	BOLT	3							Z	
28	2	X9490501080 (A=E14312)	NUT	1							Z	
29	2	X9490560990 (A=E14312)	NUT	3							Z	
30	2	X9490561001 (A=E14312)	NUT	1							Z	
31	2	X9491920900 (A=E14312)	COLLAR	1							Z	
32	2	X9490561001 (A=E14312)	NUT	1							W	
33	2	119620-77380 (A=E14312)	ROTOR ASSY	1							W	
34	3	119620-79240 (A=E14312)	BEARING, BALL	1							W	
35	3	119620-79250 (A=E14312)	COVER	1							W	
36	3	119620-79360 (A=E14312)	WASHER, THRUST	1							W	
37	2	119620-77420 (A=E14312)	FLAME ASSY, DRIVE	1							W	
38	3	119620-79200 (A=E14312)	BEARING, BALL	1							W	
39	3	119620-79210 (A=E14312)	PLATE, RETAINER	1							W	
40	3	119620-79220 (A=E14312)	SCREW	4							W	
41	3	119620-79230 (A=E14312)	STUD	2							W	
42	2	119620-77440 (A=E14312)	FRAME ASSY	1							W	
43	2	119620-77450 (A=E14312)	COVER	1							W	
44	2	119620-77460 (A=E14312)	PULLEY, CRANKSHAFT	1							W	
45	2	119620-77470 (A=E14312)	NUT	1							W	
46	2	119620-77710 (A=E14312)	REGULATOR ASSY	1							W	
47	2	119620-79260 (A=E14312)	HOLDER	1							W	
48	2	119620-79270 (A=E14312)	HOLDER, BRUSH	1							W	
49	3	119620-77480 (A=E14312)	BRUSH ASSY	2							W	
50	3	119620-79280 (A=E14312)	SPRING	2							W	
51	2	119620-79290 (A=E14312)	SCREW	6							W	

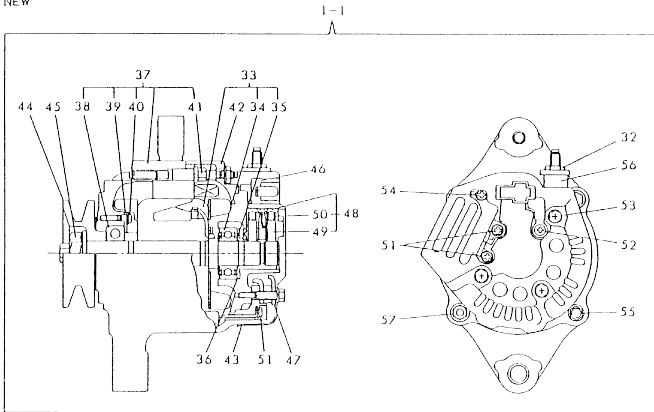
N:Old $\frac{100}{100}$ New, Q:Old $\frac{100}{100}$ New, R:Old $\frac{100}{100}$ New, S:Old $\frac{100}{100}$ New, W:Add, Z:Discontinued, F:Interchangeable by set, K:Qty Change
 ++ CONTINUE ++
 Copyright (C) YANMAR CO., LTD. All Rights Reserved.

Fig.43. GENERATOR(COMPONENT PARTS)

019646-11210



NEW

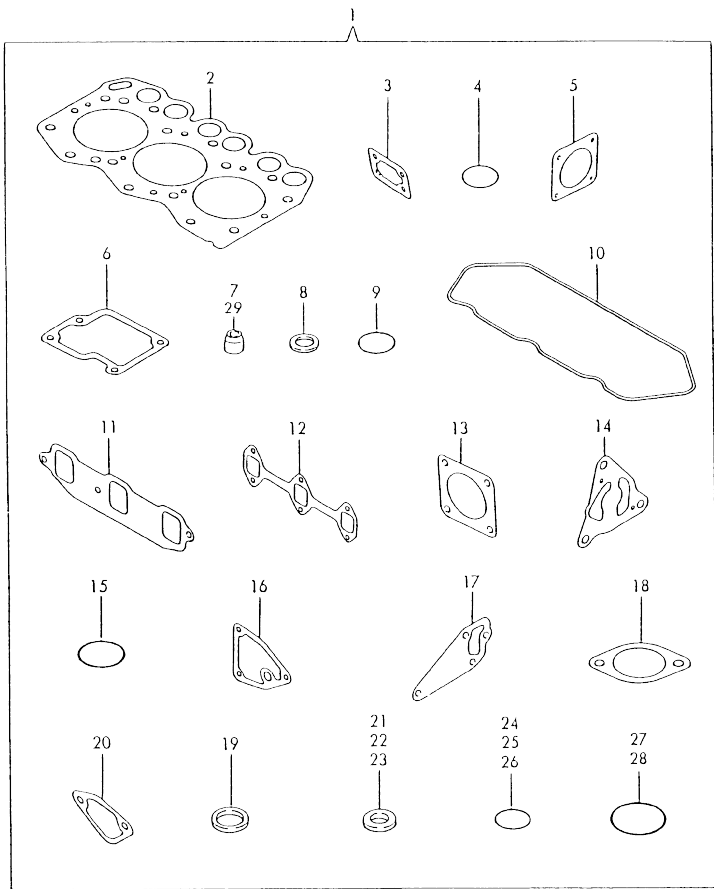


(A)=3TNA68L-UKS
(B)=
(C)=

(D)=
(E)=
(F)=

No.	Lev.	Parts No.	Description	Q'ty						I	R
				(A)	(B)	(C)	(D)	(E)	(F)		
52		(A=E14312) 2 119620-79300	SCREW		1						W
53		(A=E14312) 2 119620-79310	BOLT		3						W
54		(A=E14312) 2 119620-79320	SCREW		2						W
55		(A=E14312) 2 119620-79330	BOLT		2						W
56		(A=E14312) 2 119620-79340	BUSH, INSULATION		1						W
57		(A=E14312) 2 119620-79350	NUT		2						W

Fig.44. GASKET SET

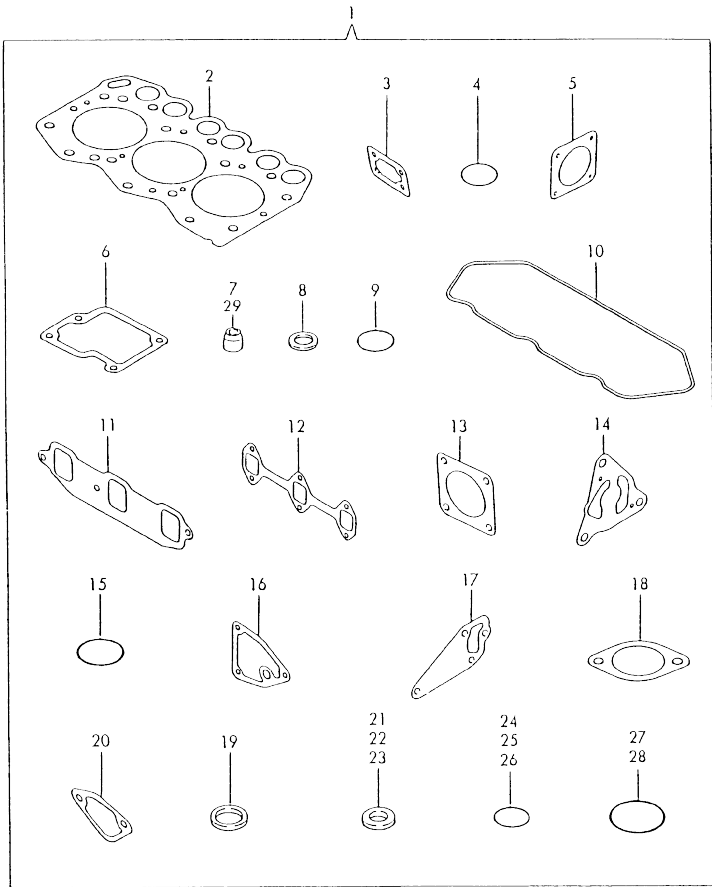


Remarks
(1)OPTIONAL PART.

No.	Lev.	Parts No.	Description	Q'ty						I	R
				(A)	(B)	(C)	(D)	(E)	(F)		
1	1	719646-92600	GASKET SET	1							1
1-1	1	719646-92601	GASKET SET	1							N 1
				(A=E0000)							
2	2	119656-01340	GASKET, HEAD	1							
3	2	119660-01561	GASKET	1							
3-1	2	119660-01562	GASKET	1							R
				(A=1990.02)							
4	2	121420-01760	O-RING	1							
4-1	2	24311-000320	O-RING, 1AP32.0	1							N
				(A=1990.05)							
5	2	124240-01882	GASKET	1							Z
				(A=E0000)							
6	2	119620-03030	GASKET	1							
6-1	2	119620-03031	GASKET	1							N
				(A=E0000)							
7	2	124950-11340	SEAL, VALVE STEM	6							
7-1	2	124950-11340	SEAL, VALVE STEM	3							K
				(A=E05804)							
8	2	119600-11460	GASKET, NOZZLE	6							
9	2	121420-01760	O-RING	1							
9-1	2	24311-000320	O-RING, 1AP32.0	1							N
				(A=1990.05)							
10	2	119620-11310	GASKET, BONNET	1							
11	2	119660-12111	GASKET, MANIFOLD	1							
12	2	119620-13110	GASKET	1							
13	2	121000-13200	GASKET, SILENCER	1							
14	2	119660-32020	GASKET, PUMP	1							
15	2	124450-35110	O-RING	1							
16	2	119660-35112	GASKET	1							
16-1	2	119660-35113	GASKET	1							R
				(A=1990.02)							
17	2	119620-42020	GASKET, WATER PUMP	1							
18	2	129350-49540	GASKET	1							
18-1	2	129350-49541	GASKET	1							N
				(A=1990.05)							
19	2	124465-44950	GASKET, 16	2							
19-1	2	124465-44950	GASKET, 16	1							K
				(A=1990.10)							
20	2	121520-01850	GASKET	1							
20-1	2	121520-01851	GASKET	1							R
				(A=1990.02)							
21	2	104200-59170	GASKET, 12	2							
22	2	23414-080012	GASKET, 8X1.0	4							
23	2	23414-140000	GASKET, 14X1.0	3							
24	2	24311-000120	O-RING, 1AP12.0	2							
25	2	24311-000160	O-RING, 1AP16.0	1							
26	2	24311-240100	O-RING, 1AP10A	1							
27	2	24341-000250	O-RING, 1AS25.0	1							
27-1	2	24341-000240	O-RING, 1AS24.0	1							N
				(A=E02563)							
28	2	24341-000260	O-RING, 1AS26.0	1							

N:Old $\frac{100}{100}$ New, Q:Old $\frac{100}{100}$ New, R:Old $\frac{100}{100}$ New, S:Old $\frac{100}{100}$ New, W:Add, Z:Discontinued, F:Interchangeable by set, K:Qty Change
 ++ CONTINUE ++
 Copyright (C) YANMAR CO., LTD. All Rights Reserved.

Fig.44. GASKET SET



(A)=3TNA68L-UKS
(B)=
(C)=

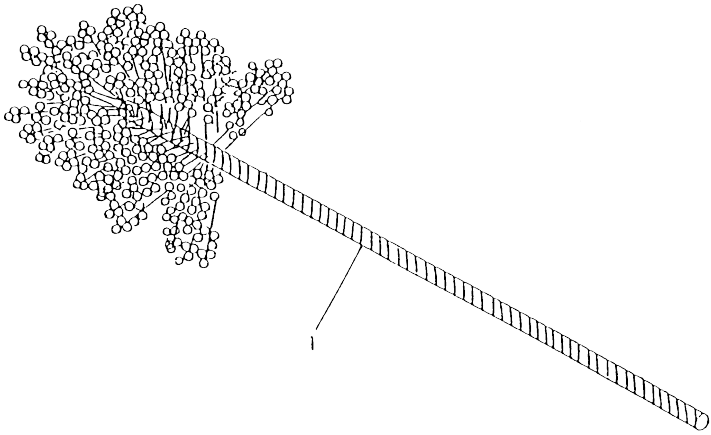
(D)=
(E)=
(F)=

No.	Lev.	Parts No.	Description	Q'ty						I	R
				(A)	(B)	(C)	(D)	(E)	(F)		
28-1	2	24341-000240 (A=E17278)	O-RING, 1AS24.0	1							N
29	2	124160-11340 (A=E05804)	SEAL, VALVE STEM	3							W

Remarks
(1)OPTIONAL PART.

N:Old $\frac{YES}{NO}$ New. Q:Old $\frac{HE}{VCC}$ New. R:Old $\frac{YES}{VCC}$ New. S:Old $\frac{NO}{NO}$ New. W:Add. Z:Discontinued. F:Interchangeable by set. K:Q'ty Change
Copyright (C) YANMAR CO., LTD. All Rights Reserved.

Fig.45. SPECIAL TOOL(OPTIONAL)



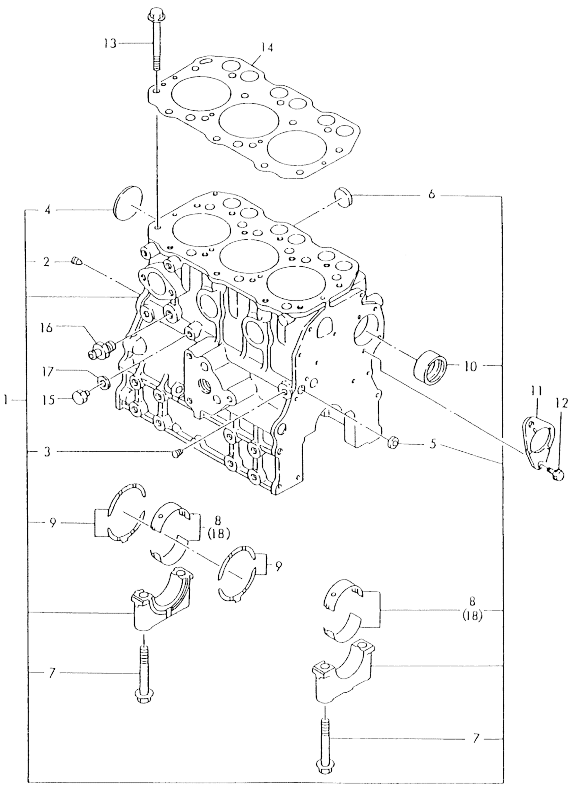
(A)=3TNA68L-UKS
(B)=
(C)=

(D)=
(E)=
(F)=

No.	Lev.	Parts No.	Description	Q'ty						I	R
				(A)	(B)	(C)	(D)	(E)	(F)		
1	1	129400-92400	HONE	1							

Fig.46. CYLINDER BLOCK

019610-01100
019620-02100
019620-02200
019600-45300



(A)=
(B)=3TNA72L-UKS
(C)=

(D)=
(E)=
(F)=

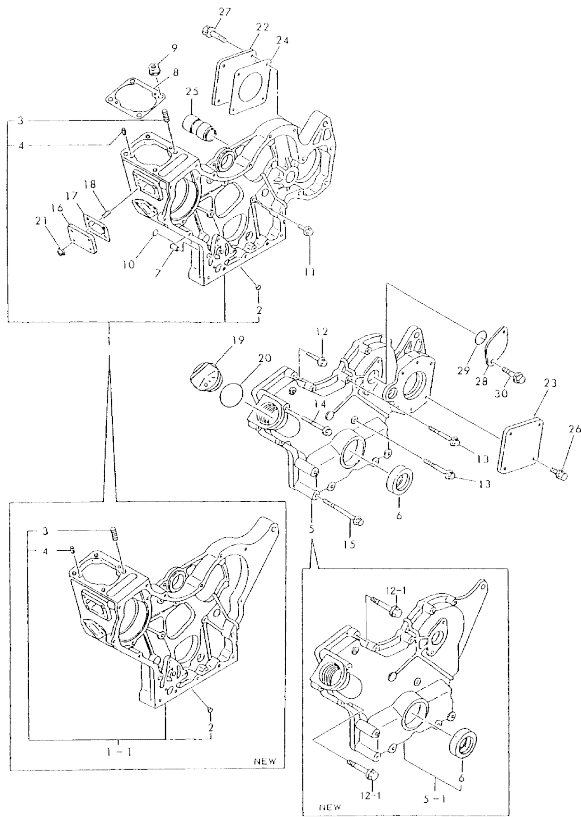
No.	Lev.	Parts No.	Description	Q'ty						I	R
				(A)	(B)	(C)	(D)	(E)	(F)		
1	1	719610-01560	BLOCK ASSY, CYLINDER		1						
2	2	124160-01910	PLUG, PT1/4		1						
2-1	2	119600-01050	PLUG, PT1/4		1						N
(B=E17350)											
3	2	23871-010000	PLUG, R01		1						
4	2	27231-450000	PLUG 45		1						
5	2	27241-120000	PLUG, 12		1						
6	2	27241-300000	PLUG 30		6						
7	2	119620-02020	BOLT, METAL CAP		8						
8	2	719620-02800	BEARING, MAIN		4						
9	2	719620-02930	BEARING, THRUST		2						
10	2	119620-02410	BUSH, CAMSHAFT		1						
11	1	119620-02450	BEARING, THRUST		1						Z
(B=EXXX)											
12	1	26106-060122	BOLT, M6X 12 PLATED		2						
13	1	119620-01200	BOLT, HEAD		14						
14	1	119610-01340	GASKET, HEAD		1						
15	1	119656-01900	PLUG, 8		1						Z
(B=EXXX)											
16	1	121550-49111	JOINT, PT1/4		1						
17	1	104884-59170	GASKET		1						Z
(B=EXXX)											
18	1	719620-02870	BEARING, 0.25 US		4						1

Remarks
(1) UNDER-SIZE PART.

N:Old $\frac{100}{100}$ New, Q:Old $\frac{100}{100}$ New, R:Old $\frac{100}{100}$ New, S:Old $\frac{100}{100}$ New, W:Add, Z:Discontinued, F:Interchangeable by set, K:Q'ty Change
Copyright (C) YANMAR CO., LTD. All Rights Reserved.

Fig.47. GEAR HOUSING

D:5610-01260
 O:5600-01320
 O:5600-01820
 I:5600-1310



(A)=
 (B)=3TNA72L-UKS
 (C)=

(D)=
 (E)=
 (F)=

No.	Lev.	Parts No.	Description	Q'ty						I	R
				(A)	(B)	(C)	(D)	(E)	(F)		
1	1	119600-01501	CASE ASSY, GEAR		1						
1-1	1	119610-01490	CASE ASSY, GEAR (B=EXXX)		1						F 1
2	2	119660-01510	PLUG, 10X14		1						
3	2	121450-01560	STUD, M8X22		4						
4	2	22351-040010	PIN, SPRING 4.0X10		2						
5	1	119621-01520	COVER, GEAR CASE		1						
5-1	1	119610-01590	COVER ASSY, GEAR CASE (B=E41789)		1						F 1
6	2	119620-01800	SEAL, OIL		1						
7	1	119660-01911	PIPE, KNOCK		4						
8	1	119620-01950	SHIM SET, ADJUSTING		1						
9	1	194990-22050	NUT, M8		4						
10	1	24311-000120	O-RING, 1AP12.0		2						
11	1	26106-060162	BOLT, M6X 16 PLATED		7						
12	1	26106-060302	BOLT, M6X 30 PLATED		6						
12-1	1	26106-060302	BOLT, M6X 30 PLATED (B=EXXX)		8						F 1
13	1	26106-060602	BOLT, M6X 60 PLATED		3						
14	1	26106-060602	BOLT, M6X 60 PLATED		1						
15	1	26106-060802	BOLT, M6X 80 PLATED		6						
16	1	119660-01551	COVER		1						
17	1	119660-01561	GASKET		1						
17-1	1	119660-01562	GASKET		1						R
(B=E39286)											
18	1	119660-01570	STUD, M6X12		4						
19	1	124160-01751	COVER, FILLER		1						
20	1	121420-01760	O-RING		1						
20-1	1	24311-000320	O-RING, 1AP32.0 (B=E21469)		1						N
21	1	26366-060002	NUT, M6		4						
22	1	124240-01871	COVER (B=EXXX)		1						Z
23	1	124240-01871	COVER (B=EXXX)		1						Z
24	1	124240-01882	GASKET (B=EXXX)		1						Z
25	1	119621-26140	PLUG (B=EXXX)		1						Z
26	1	26106-080122	BOLT, M8X 12 PLATED (B=EXXX)		4						Z
27	1	26106-080402	BOLT, M8X 40 PLATED (B=EXXX)		4						Z
28	1	121023-01550	COVER		1						
29	1	24341-000260	O-RING, 1AS26.0		1						
29-1	1	24341-000240	O-RING, 1AS24.0 (B=E25030)		1						
30	1	26106-060182	BOLT, M6X 18 PLATED		2						

Remarks
 (1)Ref.No.1-1,5-1 and 12-1 are interchangeable by set.

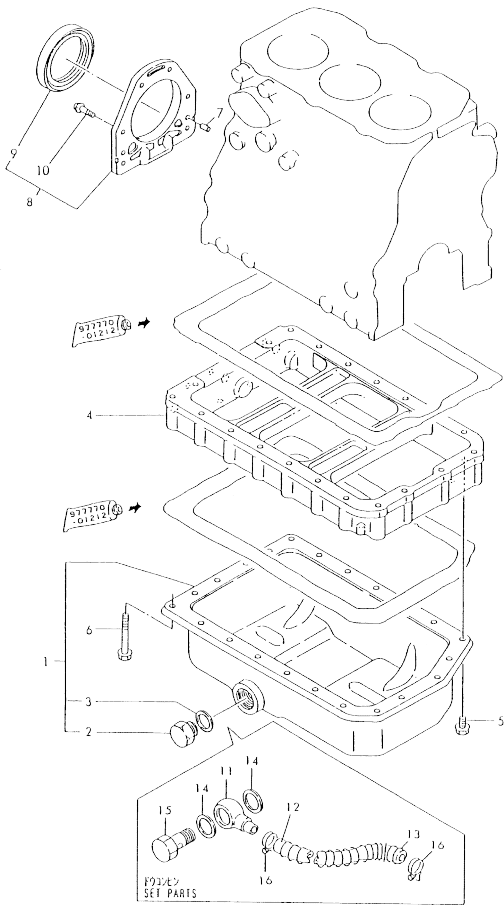
N:Old $\frac{100}{100}$ New, Q:Old $\frac{100}{100}$ New, R:Old $\frac{100}{100}$ New, S:Old $\frac{100}{100}$ New, W:Add, Z:Discontinued, F:Interchangeable by set, K:Qty Change
 Copyright (C) YANMAR CO., LTD. All Rights Reserved.

Fig.48. LUB.OIL SUMP

(A)=
(B)=3TNA72L-UKS
(C)=

(D)=
(E)=
(F)=

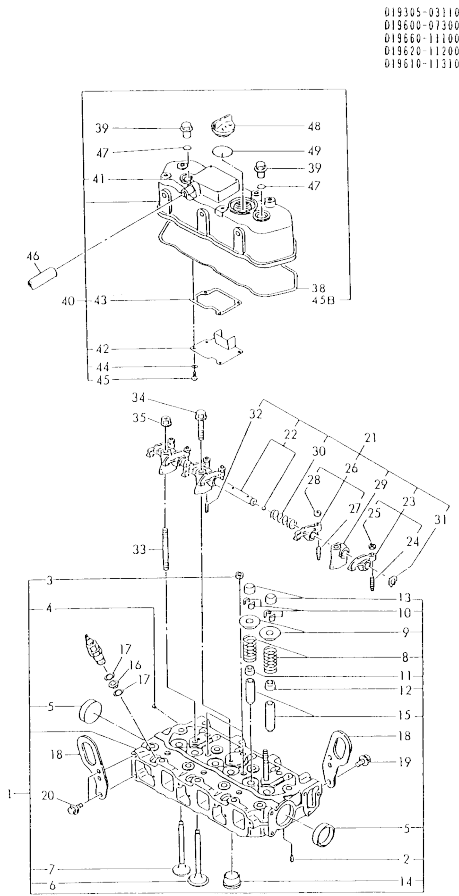
019500-01500
019500-01720
019546-93010



No.	Lev.	Parts No.	Description	Q'ty						I	R	
				(A)	(B)	(C)	(D)	(E)	(F)			
1	1	719631-01540	SUMP ASSY, OIL		1							
2	2	171301-01640	PLUG, 22		1							
3	2	24341-000240	O-RING, 1AS24.0		1							
4	1	119600-01722	SPACER, OIL SUMP		1							
5	1	26106-060122	BOLT, M6X 12 PLATED		3							
6	1	26106-060452	BOLT, M6X 45 PLATED		20							
7	1	119620-01620	PIN, M6X10		2							
8	1	119660-01640 (B=E41789)	CASE ASSY, OIL SEAL		1							W
9	2	124085-02220	SEAL, OIL		1							
10	1	26106-060222	BOLT, M6X 22 PLATED		10							
11	1	119646-39910	JOINT, PIPE		1							
12	1	119646-39920	HOSE, DRAIN		1							
13	1	119646-39930	SPRING, PROTECTE		1							
14	1	23414-220000	GASKET, 22X1.0		2							W
		(B=E17350)										
15	1	23857-180000 (B=E17350)	BOLT, JOINT 18		1							W
16	1	23010-025000 (B=E21469)	CLAMP, 25		2							W

N:Old $\frac{100}{100}$ New, Q:Old $\frac{100}{100}$ New, R:Old $\frac{100}{100}$ New, S:Old $\frac{100}{100}$ New, W:Add, Z:Discontinued, F:Interchangeable by set, K:Qty Change
Copyright (C) YANMAR CO., LTD. All Rights Reserved.

Fig.49. CYLINDER HEAD & BONNET



019305-03110
019600-07300
019620-11100
019620-11200
019610-11310

(A)=
(B)=3TNA72L-UKS
(C)=

(D)=
(E)=
(F)=

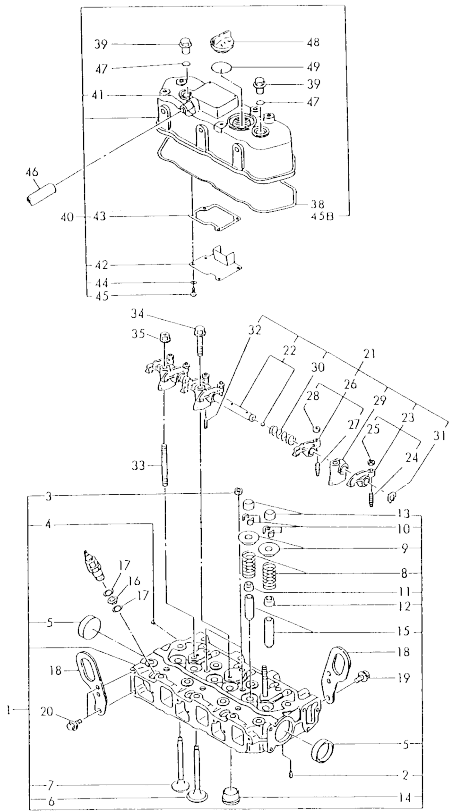
No.	Lev.	Parts No.	Description	Qty						I	R	
				(A)	(B)	(C)	(D)	(E)	(F)			
1	1	719660-11700	HEAD ASSY, CYLINDER		1							
2	2	22351-060012	PIN, SPRING 6.0X12		2							
3	2	121850-11860	PLUG, PT1/4		2							
4	2	27221-050080	PLUG, 5X 8		1							
5	2	27241-400000	PLUG, 40		2							
6	2	119620-11100	VALVE, INTAKE		3							
7	2	119620-11110	VALVE, EXHAUST		3							
8	2	119620-11120	SPRING, VALVE		6							
9	2	119620-11180	RETAINER, SPRING		6							
10	2	101158-11190	COTTER		6							
10-1	2	27310-070001	COTTER, 7		6							N
(B=EXXXXX)												
11	2	124950-11340	SEAL, VALVE STEM		3							
12	2	124160-11340	SEAL, VALVE STEM		3							
13	2	104211-11370	CAP, VALVE		6							
14	2	119656-11410	PLUG, HOT		3							
15	1	119620-11801	GUIDE, VALVE		6							1
16	1	119600-11450	PROTECTOR, NOZZLE		3							
17	1	119600-11460	GASKET, NOZZLE		6							
18	1	119260-07900	LIFTER		2							
19	1	26106-080142	BOLT, M8X 14 PLATED		1							
20	1	26106-080142	BOLT, M8X 14 PLATED		2							
21	1	119620-11200	SUPPORT ASSY, ARM		1							
22	2	119620-11240	SHAFT ASSY, ROCKER		1							
23	2	719620-11650	ARM ASSY, ROCKER		3							
24	3	105010-11230	SCREW, VALVE ADJUST		3							
25	3	26756-060002	NUT, LOCK M6		3							
26	2	719620-11660	ARM ASSY, ROCKER		3							
27	3	105010-11230	SCREW, VALVE ADJUST		3							
28	3	26756-060002	NUT, LOCK M6		3							
29	2	119620-11260	SUPPORT, ROCKER ARM		3							
30	2	119620-11280	SPRING		2							
31	2	22242-000120	RING, 12		2							
32	2	26979-050162	SCREW, M5X16		1							
33	1	119620-11350	STUD		2							
34	1	26106-080452	BOLT, M8X 45 PLATED		1							
35	1	26366-080002	NUT, M8		2							
38	1	119620-11310	GASKET, BONNET		1							Z
39	1	124160-11360	KNOB		2							
40	1	719620-11520	BONNET ASSY, HEAD		1							
40-1	1	119620-11330	BONNET ASSY, HEAD		1							N
40-2	1	119620-11331	BONNET ASSY, HEAD		1							N
40-3	1	719620-11521	BONNET ASSY, HEAD		1							R
41	2	119620-11390	JOINT		1							
41-1	2	118400-03060	JOINT, BREATHER		1							R
42	2	119620-03020	PLATE, SHELTER		1							
43	2	119620-03030	GASKET		1							
43-1	2	119620-03031	GASKET		1							R
44	2	22217-050000	WASHER, SPRING 5		4							Z
45	2	26557-050102	SCREW, M5X10		4							
45-1	2	22857-500100	SCREW, 5X10		4							R

Remarks
(1)REPAIR PART.

N:Old ^{REV}/_{REV} New, Q:Old ^{REV}/_{REV} New, R:Old ^{REV}/_{REV} New, S:Old ^{REV}/_{REV} New, W:Add, Z:Discontinued, F:Interchangeable by set, K:Qty Change
 ++ CONTINUE ++
 Copyright (C) YANMAR CO., LTD. All Rights Reserved.

Fig.49. CYLINDER HEAD & BONNET

019305-03110
 019600-07300
 019604-11180
 019628-11300
 019610-11310



(A)=
 (B)=3TNA72L-UKS
 (C)=

(D)=
 (E)=
 (F)=

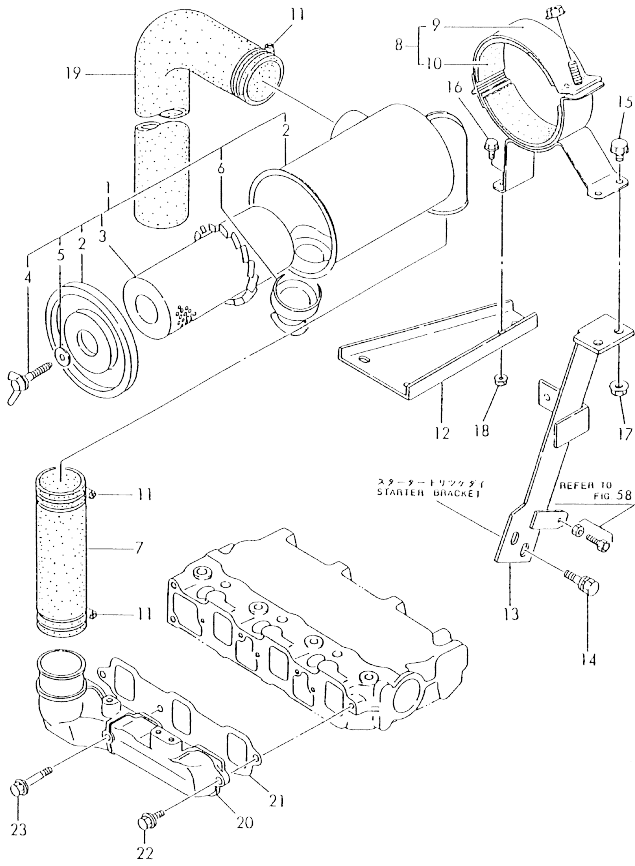
No.	Lev.	Parts No.	Description	Q'ty						I	R		
				(A)	(B)	(C)	(D)	(E)	(F)				
45B	2	119620-11310	GASKET, BONNET		1								
46	1	23065-120500	PIPE, 12X 500		1								W
47	1	24311-000120	O-RING, 1AP12.0		2								
48	1	124160-01751	COVER, FILLER		1								
49	1	24311-000320	O-RING, 1AP32.0		1								

Remarks
 (1)REPAIR PART.

N:Old $\frac{100}{100}$ New. Q:Old $\frac{100}{100}$ New. R:Old $\frac{100}{100}$ New. S:Old $\frac{100}{100}$ New. W:Add. Z:Discontinued. F:Interchangeable by set. K:Q'ty Change
 Copyright (C) YANMAR CO., LTD. All Rights Reserved.

Fig.50. SUCTION MANIFOLD & AIR CLEANER

D19660-12200
D19646-93010

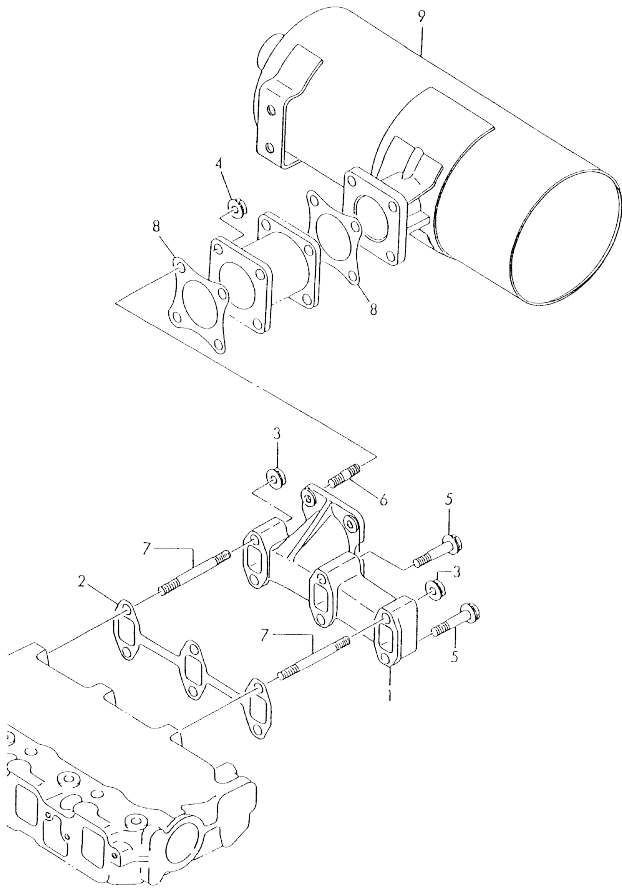


No.	Lev.	Parts No.	Description	Q'ty						
				(A)	(B)	(C)	(D)	(E)	(F)	
1	1	119654-12500	CLEANER ASSY, AIR							1
2	2	XX75183164	CASE ASSY							1
3	2	119860-12510	ELEMENT							1
4	2	119860-12550	BOLT							1
5	2	119860-12560	WASHER, SEAL							1
6	2	X772035051	VALVE, UNLODER							1
7	1	119646-12550	PIPE, AIR INTAKE							1
8	1	119640-12590	BRACKET							1
9	2	119640-12561	SUPPORT, AIR CLEANER							1
10	2	119640-12580	SEAT, RUBBER							2
11	1	23000-060000	CLAMP, 60							3
12	1	119646-12560	BRACKET							1
13	1	119646-12570	BRACKET							1
14	1	26014-080222	BOLT, M8X 22							2
15	1	26014-080202	BOLT, M8X 20							2
16	1	26014-060182	BOLT, M6X 18							2
17	1	26366-080002	NUT, M8							2
18	1	26366-060002	NUT, M6							2
19	1	171126-12210	PIPE, AIR INTAKE							1
20	1	119660-12101	MANIFOLD, AIR INTAKE							1
21	1	119660-12111	GASKET, MANIFOLD							1
22	1	26106-060162	BOLT, M6X 16 PLATED							2
23	1	26106-060402	BOLT, M6X 40 PLATED							1

N:Old $\frac{100}{100}$ New, Q:Old $\frac{100}{100}$ New, R:Old $\frac{100}{100}$ New, S:Old $\frac{100}{100}$ New, W:Add, Z:Discontinued, F:Interchangeable by set, K:Q'ty Change
Copyright (C) YANMAR CO., LTD. All Rights Reserved.

Fig.51. EXHAUST MANIFOLD & SILENCER

019600-13200
019646 93010



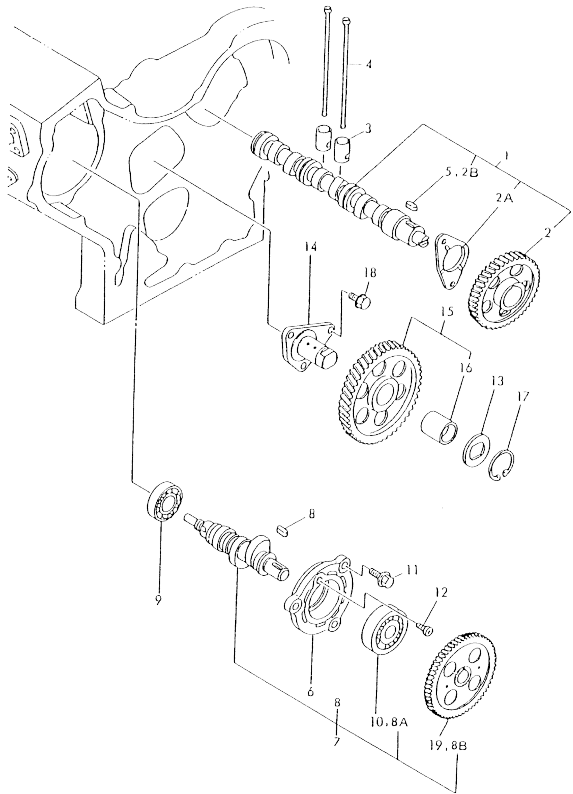
(A)=
(B)=3TNA72L-UKS
(C)=

(D)=
(E)=
(F)=

No.	Lev.	Parts No.	Description	Q'ty						
				(A)	(B)	(C)	(D)	(E)	(F)	
1	1	119600-13100	MANIFOLD, EXHAUST		1					
2	1	119620-13110	GASKET		1					
3	1	194990-22050	NUT, M8		2					
4	1	194990-22050	NUT, M8		4					
5	1	26106-080402	BOLT, M8X 40 PLATED		4					
6	1	26216-080222	STUD, M8X 22		4					
7	1	26216-080552	STUD, M8X 55		2					
8	1	121000-13200	GASKET, SILENCER		2					
9	1	119640-13500	SILENCER		1					

Fig.52. CAMSHAFT & DRIVING GEAR

019629-14100
019660-25101
719646-51310



(A)=
(B)=3TNA72L-UKS
(C)=

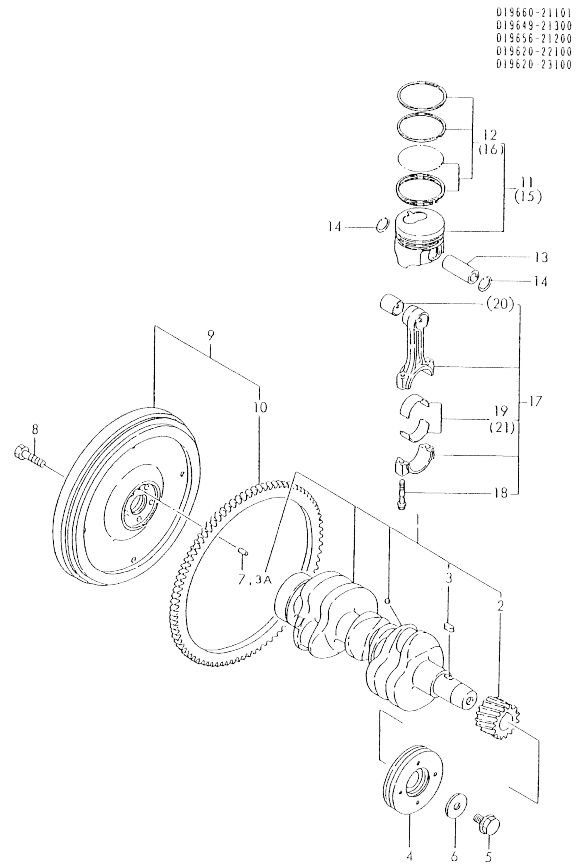
(D)=
(E)=
(F)=

No.	Lev.	Parts No.	Description	Q'ty						I	R
				(A)	(B)	(C)	(D)	(E)	(F)		
1	1	119629-14580 (B=E41789)	CAMSHAFT ASSY		1						W
2	2	119620-14100	GEAR, CAMSHAFT		1						
2A	2	119620-02450 (B=E41789)	BEARING, THRUST		1						W
2B	2	22512-040120 (B=E41789)	KEY, 4X 12		1						W
3	1	119620-14200	TAPPET		6						
4	1	119620-14400	ROD, PUSH		6						
5	1	22512-040120 (B=E41789)	KEY, 4X 12		1						Z
6	1	119660-01821	BEARING, FUEL CAM		1						
7	1	719660-14590 (B=E41789)	CAMSHAFT		1						W
8	2	22512-040120	KEY, 4X 12		1						
8A	2	24102-063034 (B=E41789)	BEARING, BALL 6303U		1						W
8B	2	119660-25902 (B=E41789)	GEAR, PUMP		1						W
9	1	24101-062034	BEARING, BALL 6203		1						
10	1	24102-063034	BEARING, BALL 6303U		1						Z
11	1	26106-060162 (B=E41789)	BOLT, M6X 16 PLATED		3						
12	1	26587-080102	SCREW, M8X10		1						
13	1	119660-25022	RETAINER		1						
14	1	119660-25052	SHAFT, IDLE		1						
15	1	119620-25102	GEAR ASSY, IDLE		1						
16	1	119620-25912	BUSH		1						1
17	1	22242-000200	RING, 20		1						
18	1	26106-060122	BOLT, M6X 12 PLATED		3						
19	1	119660-25902 (B=E41789)	GEAR, PUMP		1						Z

Remarks
(1)REPAIR PART.

N:Old $\frac{100}{100}$ New. Q:Old $\frac{100}{100}$ New. R:Old $\frac{100}{100}$ New. S:Old $\frac{100}{100}$ New. W:Add. Z:Discontinued. F:Interchangeable by set. K:Q'ty Change
Copyright (C) YANMAR CO., LTD. All Rights Reserved.

Fig.53. CRANKSHAFT & PISTON

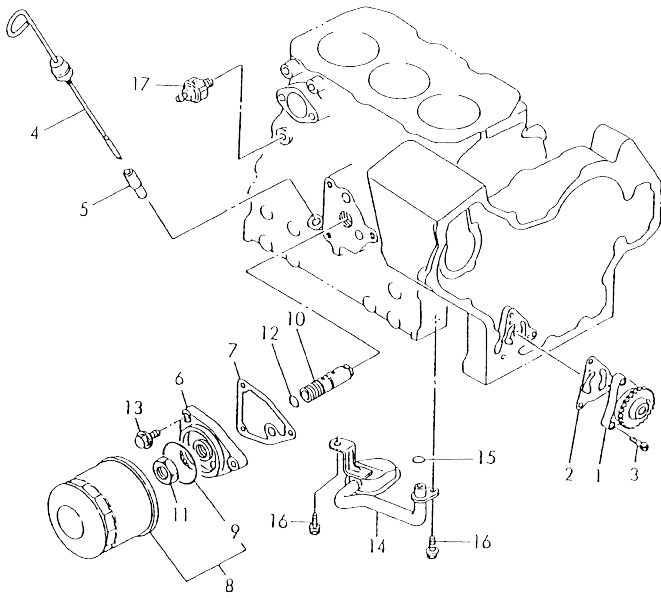


No.	Lev.	Parts No.	Description	Q'ty						I	R
				(A)	(B)	(C)	(D)	(E)	(F)		
1	1	719660-21701	CRANKSHAFT ASSY		1						
1-1	1	719660-21700	CRANKSHAFT ASSY (B=EXXX)		1						N
2	2	119660-21201	GEAR, CRANKSHAFT		1						
3	2	22512-040120	KEY, 4X 12		1						
3A	2	129100-01580	PIN, M8X16		1						W
			(B=*1990.)								
4	1	119621-21650	V-PULLEY		1						
4-1	1	119649-21650	V-PULLEY		1						N
			(B=EXXX)								
5	1	119621-21680	BOLT, FLANGE 12X1.25		1						
6	1	119620-21941	WASHER		1						
7	1	129100-01580	PIN, M8X16		1						Z
			(B=*1990.)								
8	1	119620-21500	BOLT, FLYWHEEL		5						
9	1	119656-21591	FLYWHEEL ASSY		1						
10	2	129350-21600	GEAR, RING		1						
11	1	119620-22090	PISTON ASSY		3						
12	2	719620-22501	RING SET, PISTON		3						
12-1	2	719620-22500	RING SET, PISTON (B=EXXX)		3						R
13	1	119620-22300	PIN, PISTON		3						
14	1	22252-000210	RING, 21		6						
15	1	719620-22820	PISTON ASSY, 0.25 OS		3						1
16	2	719620-22540	RING SET, 0.25 OS		3						1
17	1	719620-23100	ROD ASSY, CONNECTING		3						
18	2	105225-23200	BOLT, CONNECTING ROD		6						
19	2	719620-23600	BEARING, CRANK PIN		3						
20	1	119620-23910	BEARING, PISTON PIN		3						2
21	1	719620-23610	BEARING ASSY, 0.25		3						3

Remarks
 (1)OVER-SIZE PART.
 (2)REPAIR PART.
 (3)UNDER-SIZE PART.

Fig.54. LUB.OIL SYSTEM

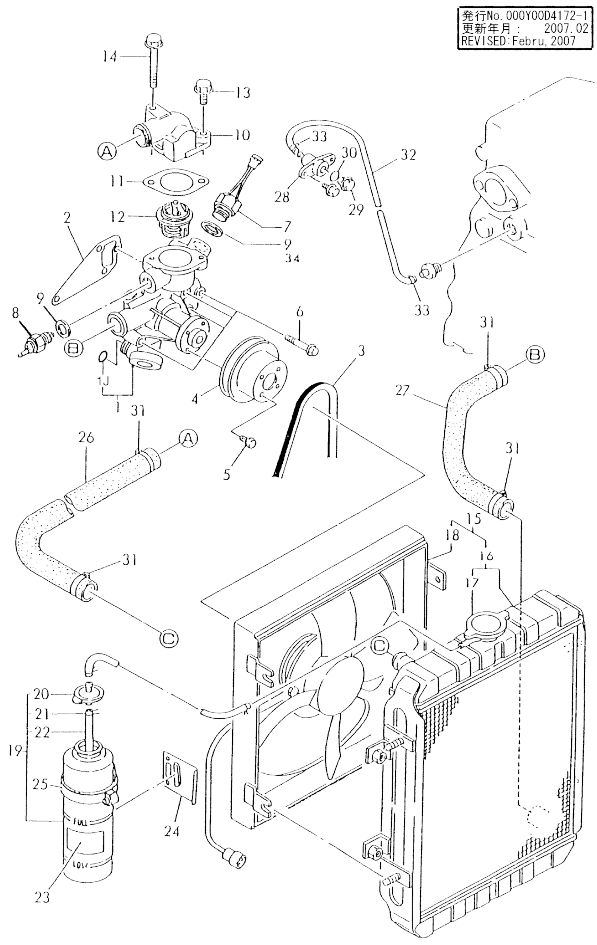
D19660-32100
 D19660-34110
 D19660-35100
 D19660-35210
 D19660-39100



No.	Lev.	Parts No.	Description	Q'ty						I	R
				(A)	(B)	(C)	(D)	(E)	(F)		
1	1	119660-32001	PUMP ASSY, OIL		1						
2	1	119660-32020	GASKET, PUMP		1						
3	1	26450-060202	BOLT, M6X 20		3						
4	1	119600-34800	DIPSTICK, OIL		1						
5	1	121520-34810	GUIDE, DIPSTICK		1						
6	1	119660-35102	BRACKET, FILTER		1						
7	1	119660-35112	GASKET		1						
7-1	1	119660-35113 (B=E39286)	GASKET		1						R
8	1	119660-35150	FILTER, LUB. OIL		1						
9	2	124450-35110	O-RING		1						
10	1	119660-35300	VALVE ASSY, CONTROL		1						
11	1	129150-35350	NUT		1						
12	1	24311-000160	O-RING, 1AP16.0		1						
13	1	26106-080202	BOLT, M8X 20 PLATED		3						
14	1	119600-35081	PIPE ASSY, OIL INLET		1						
15	1	24311-000120	O-RING, 1AP12.0		1						
16	1	26106-060102	BOLT, M6X 10 PLATED		2						
17	1	124160-39450	SWITCH, 0.5KG		1						

N:Old $\frac{New}{Old}$ New, Q:Old $\frac{New}{Old}$ New, R:Old $\frac{New}{Old}$ New, S:Old $\frac{New}{Old}$ New, W:Add, Z:Discontinued, F:Interchangeable by set, K:Q'ty Change
 Copyright (C) YANMAR CO., LTD. All Rights Reserved.

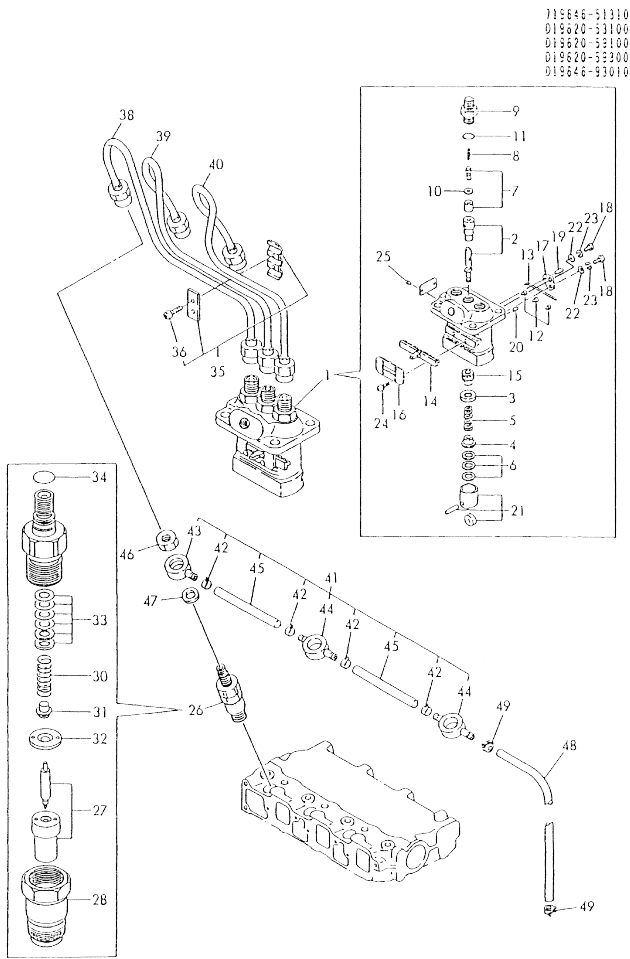
Fig.55. COOLING WATER SYSTEM



No.	Lev.	Parts No.	Description	Q'ty						I	R
				(A)	(B)	(C)	(D)	(E)	(F)		
1	1	119660-42003	PUMP ASSY, WATER		1						
1-1	1	119660-42004	PUMP ASSY, WATER		1						R
(B=E39286)											
1J	2	119620-42320	O-RING		1						
2	1	119620-42020	GASKET, WATER PUMP		1						
3	1	119640-42290	V-BELT, FM36.5		1						
4	1	119660-42350	V-PULLEY		1						
5	1	26106-060102	BOLT, M6X 10 PLATED		4						
6	1	26106-080452	BOLT, M8X 45 PLATED		4						
7	1	119646-44900	SWITCH, 80		1						
7-1	1	119646-44901	SWITCH, 70		1						N
(B=E46741)											
8	1	121250-44901	SWITCH, 110		1						
9	1	124465-44950	GASKET, 16		2						
9-1	1	124465-44950	GASKET, 16		1						K
(B=E46741)											
10	1	124101-49530	COVER, THERMOSTAT		1						
11	1	129350-49540	GASKET		1						
11-1	1	129350-49541	GASKET		1						R
(B=E41789)											
12	1	129350-49800	THERMOSTAT, 71		1						
13	1	26106-080252	BOLT, M8X 25 PLATED		1						
14	1	26106-080552	BOLT, M8X 55 PLATED		1						
15	1	119646-44510	FAN		1						
15-1	1	119646-44511	RADIATOR ASSY		1						N
(B=E46741)											
16	2	119646-44520	RADIATOR		1						
16-1	2	119646-44521	RADIATOR		1						N
(B=E46741)											
17	3	XR904110700	CAP, RADIATOR		1						
18	2	119646-44530	FAN		1						
19	1	121450-44510	TANK ASSY, SUB		1						
20	2	121450-44530	CAP		1						
21	2	124450-44560	RETAINER		1						
22	2	23065-070180	PIPE, 7X 180		1						
23	1	121470-44540	LABEL, SUB-TANK		1						
24	1	121256-44600	BRACKET, SUB TANK		1						
25	1	124450-44550	BAND		1						
26	1	119646-49020	PIPE, WATER		1						
27	1	119646-49030	PIPE, WATER		1						
28	1	121521-49100	BODY ASSY, COCK		1						
29	1	121250-49121	PLUG, DRAIN		1						
30	1	24311-000160	O-RING, 1AP16.0		1						
31	1	23010-038000	CLAMP, 38		4						
32	1	171022-49160	PIPE, DRAIN L=650		1						
33	1	124766-59050	CLIP, HOSE 12		2						
34	1	43400-500490	SEAL WASHER 16S		1						W
(B=E46741)											

N:Old $\frac{100}{100}$ New, Q:Old $\frac{100}{100}$ New, R:Old $\frac{100}{100}$ New, S:Old $\frac{100}{100}$ New, W:Add, Z:Discontinued, F:Interchangeable by set, K:Q'ty Change
 Copyright (C) YANMAR CO., LTD. All Rights Reserved.

Fig.56. FUEL INJECTION PUMP



115646-51310
 015620-51100
 015620-51100
 015620-51300
 015646-51010

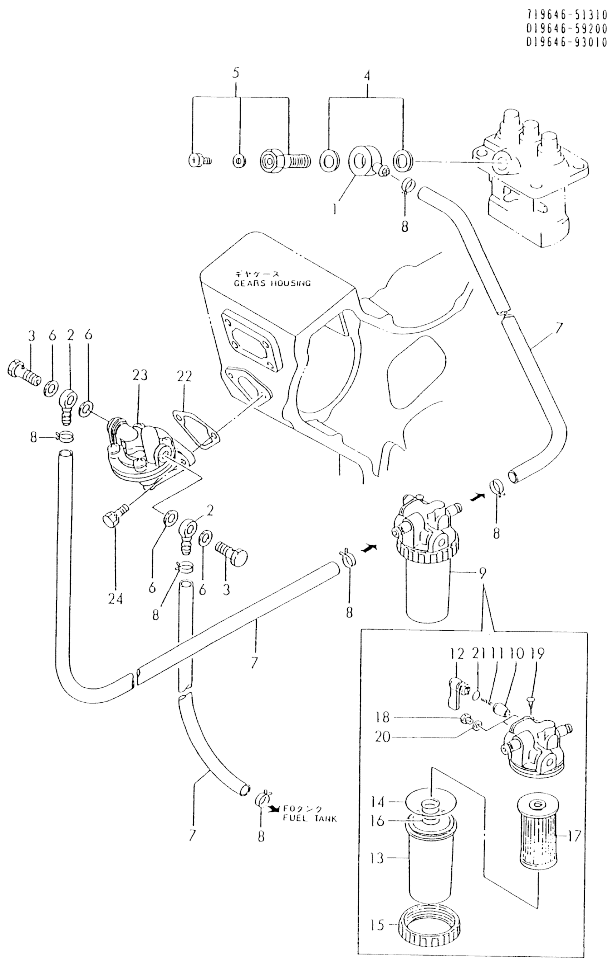
(A)=
 (B)=3TNA72L-UKS
 (C)=

(D)=
 (E)=
 (F)=

No.	Lev.	Parts No.	Description	Qty						I	R
				(A)	(B)	(C)	(D)	(E)	(F)		
1	1	719621-51100	PUMP ASSY, INJECTION		1						
2	2	119620-51101	PLUNGER ASSY		3						
3	2	119620-51170	RETAINER, SPRING A		3						
4	2	119620-51180	RETAINER, SPRING B		3						
5	2	119620-51190	SPRING, PLUNGER		3						
6	2	119620-51250	SHIM SET		3						
7	2	119620-51300	VALVE ASSY, DELIVERY		3						
8	2	105546-51330	SPRING, DELIVERY		3						
9	2	119620-51340	HOLDER, DELIVERY		3						
10	2	119620-51350	GASKET		3						
11	2	119620-51370	O-RING		3						
12	2	119620-51450	PIECE		3						
13	2	119620-51461	PIN		1						
14	2	119660-51500	RACK, CONTROL		1						
15	2	119620-51510	PINION		3						
16	2	119660-51530	RETAINER, RACK		1						
17	2	119620-51650	PLATE		2						
18	2	119620-51660	SCREW		2						
19	2	119620-51670	PIN		2						
20	2	119620-51680	PIN		1						
21	2	119620-51700	TAPPET ASSY		3						
22	2	22137-040000	WASHER, 4		2						
23	2	22217-040000	WASHER, SPRING 4		2						
24	2	26022-040082	SCREW, M4X 8		4						
25	2	26587-040102	SCREW, M4X10		2						
26	1	719620-53100	VALVE ASSY, INJECTION		3						
27	2	119620-53000	VALVE ASSY, INJECTION		3						
28	2	119620-53080	NUT, NOZZLE		3						
30	2	119620-53120	SPRING, NOZZLE		3						
31	2	114250-53130	SEAT, SPRING		3						
32	2	119620-53140	SPACER, VALVE STOP		3						
33	2	114250-53400	SHIM SET		3						
34	2	129155-61830	O-RING, S10		3						
35	1	129150-59120	RETAINER, PIPE		1						
36	2	129150-59130	BOLT, M4X12		2						
38	1	119620-59811	PIPE ASSY, INJECTION		1						
39	1	119620-59821	PIPE ASSY, INJECTION		1						
40	1	119620-59831	PIPE ASSY, INJECTION		1						
41	1	119620-59840	PIPE ASSY, FUEL		1						
42	2	124066-59100	CLIP, HOSE 8		4						
43	2	129155-59520	JOINT		1						
43-1	2	119260-59520	JOINT		1						N
				(B=E17350)							
44	2	129155-59530	JOINT		2						
44-1	2	119260-59530	JOINT		2						N
				(B=E17350)							
45	2	105025-59550	PIPE, FUEL RETURN		2						
46	1	119620-59700	NUT, NOZZLE		3						
47	1	23414-140000	GASKET, 14X1.0		3						
48	1	23780-041300	HOSE, FUEL 4X1300		1						
49	1	124066-59100	CLIP, HOSE 8		2						

N:Old $\frac{100}{100}$ New, Q:Old $\frac{100}{100}$ New, R:Old $\frac{100}{100}$ New, S:Old $\frac{100}{100}$ New, W:Add, Z:Discontinued, F:Interchangeable by set, K:Qty Change
 Copyright (C) YANMAR CO., LTD. All Rights Reserved.

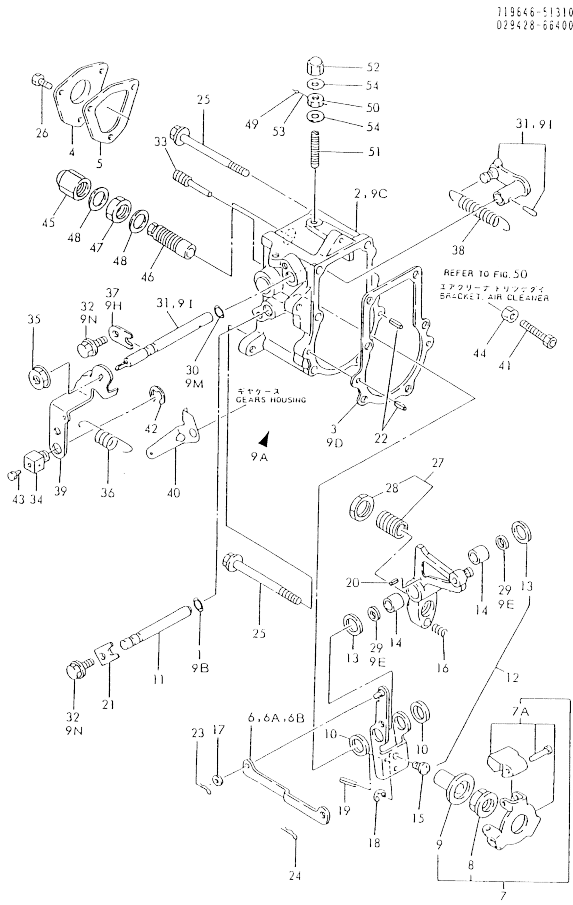
Fig.57. FUEL LINE



No.	Lev.	Parts No.	Description	Q'ty						I	R	
				(A)	(B)	(C)	(D)	(E)	(F)			
1	1	101304-59020	JOINT, PIPE 12									
2	1	104264-59030	JOINT, PIPE 8									
3	1	105582-59150	BOLT, PIPE JOINT									
4	1	104200-59170	GASKET, 12									
5	1	103854-59191	BOLT ASSY, JOINT M12									
6	1	23414-080012	GASKET, 8X1.0									
7	1	121525-59090	PIPE, FUEL D12X2500									
8	1	124766-59050	CLIP, HOSE 12									
9	1	121254-55600	STRAINER ASSY, FUEL									
10	2	104200-55321	VALVE, TAPER									
11	2	104200-55330	SPRING, VALVE									
12	2	104200-55341	HANDLE									
13	2	121254-55510	COVER									
14	2	102103-55520	O-RING									
15	2	110250-55610	RING, RETAINING									
16	2	121250-55620	SPRING									
17	2	124550-55700	FILTER, FUEL L=90									
18	2	101720-55750	PLUG, 6									
19	2	104200-55750	SCREW, M4									
20	2	23418-060000	GASKET, 6X1.0									
21	2	24311-240100	O-RING, 1AP10A									
22	1	121520-01850	GASKET									
22-1	1	121520-01851	GASKET									R
(B=E39286)												
23	1	119600-52021	PUMP ASSY, FUEL FEED									
24	1	26014-060202	BOLT, M6X 20									

N:Old $\frac{New}{Old}$ New, Q:Old $\frac{New}{Old}$ New, R:Old $\frac{New}{Old}$ New, S:Old $\frac{New}{Old}$ New, W:Add, Z:Discontinued, F:Interchangeable by set, K:Qty Change
 Copyright (C) YANMAR CO., LTD. All Rights Reserved.

Fig.58. GOVERNOR



(A)=
(B)=3TNA72L-UKS
(C)=

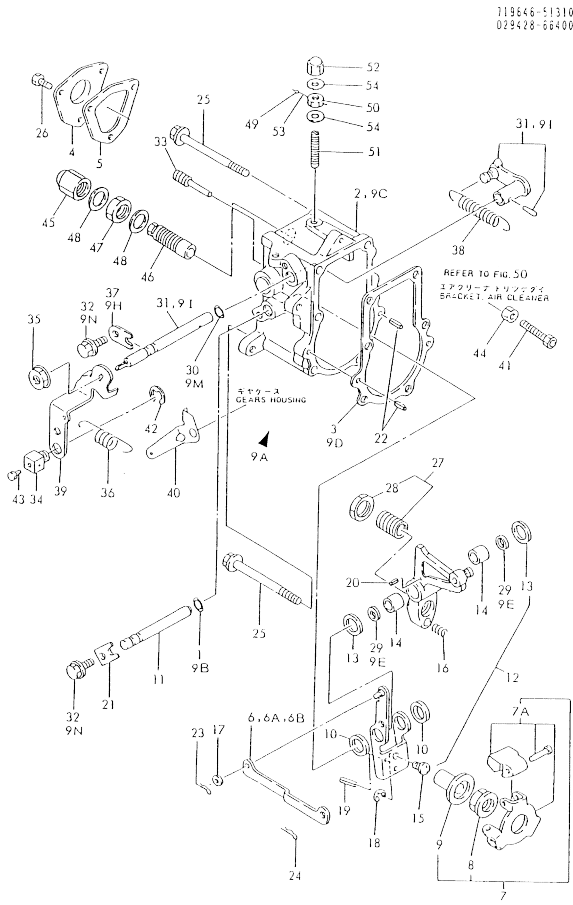
(D)=
(E)=
(F)=

No.	Lev.	Parts No.	Description	Q'ty						I	R
				(A)	(B)	(C)	(D)	(E)	(F)		
1	1	129155-51280 (B=E39286)	O-RING, S6		1						Z
2	1	119660-61013 (B=E39286)	CASE, GOVERNOR		1						Z
3	1	119660-61051 (B=E39286)	GASKET		1						Z
4	1	119660-61060	COVER, GOVERNOR CASE		1						
5	1	119660-61070	GASKET		1						
5-1	1	119660-61071	GASKET		1						R
6	1	119660-61121	LINK, NO MARK		1						
6A	1	119660-61140	LINK, MARK :2		1						1
6B	1	119660-61150	LINK, MARK :3		1						1
7	1	119600-61100 (B=E39286)	DRIVE ASSY		1						W
7A	2	119600-61200	WEIGHT ASSY, GOVERNOR		1						
8	2	119660-61300	NUT		1						
9	2	119660-61341	SLEEVE		1						
9A	1	119610-61200 (B=E39286)	CASE ASSY, GOVERNOR		1						W
9B	2	129155-51280 (B=E39286)	O-RING, S6		1						W
9C	2	119660-61013 (B=E39286)	CASE, GOVERNOR		1						W
9D	2	119660-61051 (B=E39286)	GASKET		1						W
9D-1	2	119660-61052 (B=E39286)	GASKET		1						N
9E	2	119660-61460 (B=E39286)	SHIM SET		1						W
9H	2	119600-61900 (B=E39286)	RETAINER, SHAFT		1						W
9I	2	119621-66091 (B=E39286)	SHAFT ASSY		1						W
9M	2	24341-000070 (B=E39286)	O-RING, 1AS7.0		1						W
9N	2	26106-060102 (B=E39286)	BOLT, M6X 10 PLATED		2						W
10	1	129155-61480 (B=E39286)	SPACER ASSY		2						
11	1	119660-61491	SHAFT		1						
12	1	119656-61500	LEVER ASSY, GOVERNOR		1						
13	2	174307-51700	SHIM SET		2						
14	2	121450-61520	BEARING, NEEDLE 8		2						
15	2	119600-61540	SHIFTER		1						
16	2	119660-61651	SPRING, STARTING		1						
17	2	22117-040000	WASHER, 4		1						
18	2	22272-000040	RING, E- 4		1						
19	2	22351-020004	PIN, SPRING 2.0X 4		1						
20	2	22351-030014	PIN, SPRING 3.0X14		1						
21	1	119660-61901	RETAINER, SHAFT		1						
22	1	22351-040010	PIN, SPRING 4.0X10		2						

Remarks
(1) REPAIR PART

N:Old $\frac{100}{100}$ New, Q:Old $\frac{100}{100}$ New, R:Old $\frac{100}{100}$ New, S:Old $\frac{100}{100}$ New, W:Add, Z:Discontinued, F:Interchangeable by set, K:Q'ty Change
 ++ CONTINUE ++
 Copyright (C) YANMAR CO., LTD. All Rights Reserved.

Fig.58. GOVERNOR



No.	Lev.	Parts No.	Description	Q'ty						I	R
				(A)	(B)	(C)	(D)	(E)	(F)		
23	1	22360-040000	PIN, SNAP 4								
24	1	22360-060000	PIN, SNAP 6								
25	1	26106-060702	BOLT, M6X 70 PLATED						6		
26	1	26116-050102	BOLT, M5X 10 PLATED						3		
27	1	119600-66720	ANGLEICH ASSY						1		
28	2	129155-61590	NUT, LOCK						1		
29	1	119660-61460	SHIM SET						1		Z
		(B=EXXX)									
30	1	24341-000070	O-RING, 1AS7.0						1		Z
		(B=EXXX)									
31	1	119621-66091	SHAFT ASSY						1		Z
		(B=EXXX)									
32	1	26106-060102	BOLT, M6X 10 PLATED						2		Z
		(B=EXXX)									
33	1	124250-03640	SCREW						1		
34	1	124066-03770	RETAINER						1		
35	1	194990-22050	NUT, M8						1		
36	1	119840-61870	SPRING						1		
37	1	119600-61900	RETAINER, SHAFT						1		Z
		(B=EXXX)									
38	1	119600-66020	SPRING, REGULATOR						1		
39	1	119640-66051	HANDLE, REGULATOR						1		
40	1	119656-66910	HOOK						1		
41	1	102100-67080	BOLT, ADJUSTING						1		
42	1	22272-000050	RING, E- 5						1		
43	1	26116-040088	BOLT, M4X 8 PLATED						1		
44	1	26756-060002	NUT, LOCK M6						1		
45	1	129100-61930	NUT, CAP						1		
46	1	119600-66530	LIMITER ASSY, FUEL						1		
47	1	124772-66750	NUT, LOCK M12						1		
48	1	43400-500450	SEAL WASHER 12S						2		
49	1	135210-61090	LEAD						1		
50	1	124550-66370	NUT, M6						1		
51	1	121575-66830	SCREW						1		
52	1	119600-66840	NUT, CAP						1		
53	1	22451-060000	WIRE, 0.6						1		
54	1	43400-500400	SEAL WASHER 6						2		

Remarks
(1) REPAIR PART

N:Old $\frac{100}{100}$ New, Q:Old $\frac{100}{100}$ New, R:Old $\frac{100}{100}$ New, S:Old $\frac{100}{100}$ New, W:Add, Z:Discontinued, F:Interchangeable by set, K:Q'ty Change
Copyright (C) YANMAR CO., LTD. All Rights Reserved.

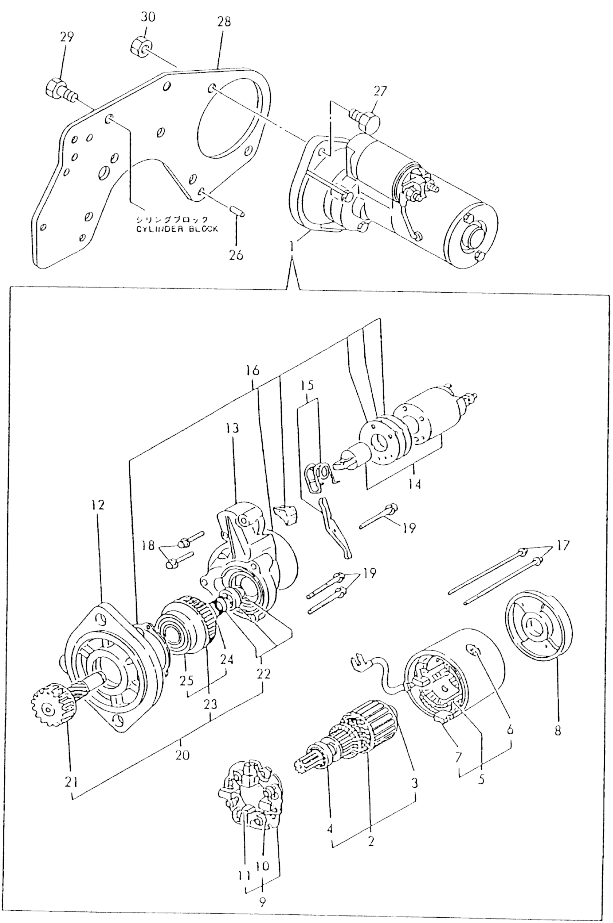
Fig.59. STARTING MOTOR

(A)=
(B)=3TNA72L-UKS
(C)=

(D)=
(E)=
(F)=

01954E-17110
01955E-17803

No.	Lev.	Parts No.	Description	Q'ty						I	R
				(A)	(B)	(C)	(D)	(E)	(F)		
1	1	124976-77011	STARTER, S114-349A		1						
2	2	X211451007	ARMATURE ASSY		1						
3	3	X211415502	BEARING, BALL		1						
4	3	X211425502	BEARING, BALL		1						
5	2	X211472106	COIL ASSY, FIELD		1						
6	3	X21148215	SCREW, POLE CORE		4						
7	3	X21143315	BRUSH (+)		2						
8	2	X211483003	COVER		1						
9	2	X211429007	HOLDER ASSY, BRUSH		1						
10	3	X21148314	SPRING, BRUSH		4						
11	3	X211459002	BRUSH (-)		2						
12	2	X211476504	HOUSING ASSY, GEAR		1						
13	2	X211414501	HOUSING, CENTER		1						
14	2	X211447007	SWITCH, MAGNETIC		1						
15	2	X21146012	LEVER, SHIFT		1						
16	2	X211448004	COVER KIT		1						
17	2	X211468005	BOLT, THROUGH		2						
18	2	X21145866	BOLT		2						
19	2	X21142867	BOLT		3						
20	2	X211415505	CLUTCH ASSY		1						
21	3	X211495009	SHAFT		1						
22	3	X211429006	STOPPER SET		1						
23	3	X211425505	CLUTCH ASSY		1						
24	4	X211435502	BALL BEARING		1						
25	4	X211445502	BALL BEARING		1						
26	1	129100-01580	PIN, M8X16		2						
27	1	121476-01620	BOLT		2						
28	1	119656-77041	BRACKET, STARTER		1						
29	1	26206-100202	BOLT, M10X 20 PLATED		6						
30	1	26716-120002	NUT, M12		2						



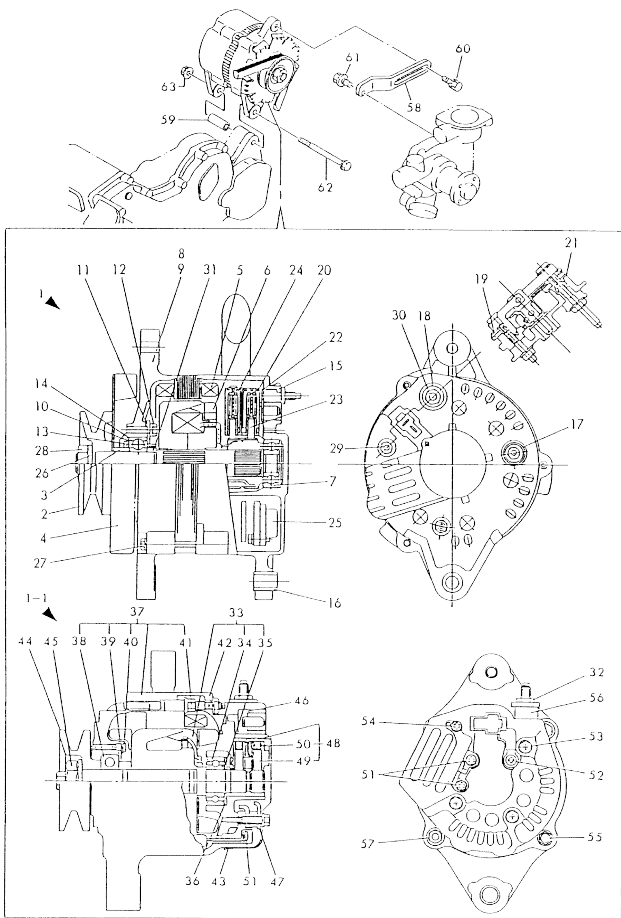
N:Old $\frac{100}{100}$ New, Q:Old $\frac{100}{100}$ New, R:Old $\frac{100}{100}$ New, S:Old $\frac{100}{100}$ New, W:Add, Z:Discontinued, F:Interchangeable by set, K:Q'ty Change
Copyright (C) YANMAR CO., LTD. All Rights Reserved.

Fig.60. GENERATOR

(A)=
(B)=3TNA72L-UKS
(C)=

(D)=
(E)=
(F)=

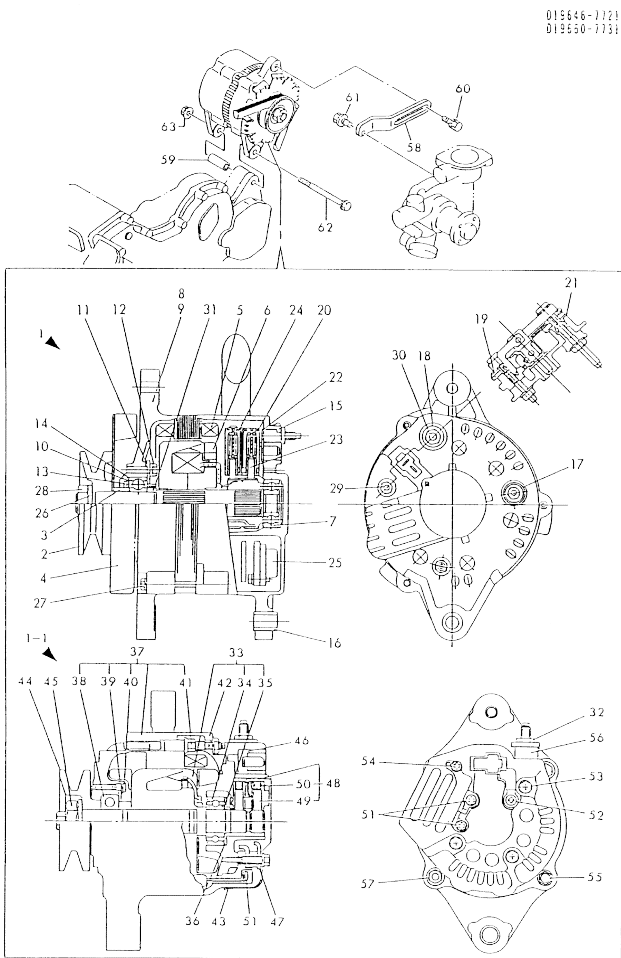
015646-77210
015650-77310



No.	Lev.	Parts No.	Description	Q'ty						I	R
				(A)	(B)	(C)	(D)	(E)	(F)		
1	1	119620-77200	GENERATOR, 12V-35A		1						
1-1	1	119620-77201	GENERATOR, 40A (B=E25030)		1						N
2	2	X0210412581	PULLEY (B=E25030)		1						Z
3	2	X0210450040	COLLAR (B=E25030)		1						Z
4	2	X0210510800	FAN (B=E25030)		1						Z
5	2	X0211000880	STATOR (B=E25030)		1						Z
6	2	X0212000480	ROTOR (B=E25030)		1						Z
7	3	X9491000350	BEARING (B=E25030)		1						Z
8	2	X0214002010	FRAME ASSY (B=E25030)		1						Z
9	3	X0214011671	FRAME (B=E25030)		1						Z
10	3	X0214050010	COVER (B=E25030)		1						Z
11	3	X0214110280	PLATE (B=E25030)		1						Z
12	3	X9480070010	SCREW (B=E25030)		3						Z
13	3	X9490200230	FELT (B=E25030)		1						Z
14	3	X9491000340	BEARING (B=E25030)		1						Z
15	2	X0215014560	FRAME, REAR (B=E25030)		1						Z
16	3	X0215410321	BUSH (B=E25030)		1						Z
17	2	X0216050291	INSULATION (B=E25030)		1						Z
18	2	X0216050301	INSULATION (B=E25030)		1						Z
19	2	X0219972990	SERVICE KIT (B=E25030)		1						Z
20	3	X0216202141	HOLDER ASSY (B=E25030)		1						Z
21	4	X0216050890	INSULATION (B=E25030)		2						Z
22	4	X0216250180	WASHER (B=E25030)		1						Z
23	4	X0216600130	BRUSH (B=E25030)		2						Z
24	4	X9491700570	SPRING (B=E25030)		2						Z
25	2	X0260007000	REGULATOR ASSY (B=E25030)		1						Z

N:Old $\frac{100}{100}$ New, Q:Old $\frac{100}{100}$ New, R:Old $\frac{100}{100}$ New, S:Old $\frac{100}{100}$ New, W:Add, Z:Discontinued, F:Interchangeable by set, K:Q'ty Change
 ++ CONTINUE ++
 Copyright (C) YANMAR CO., LTD. All Rights Reserved.

Fig.60. GENERATOR



015646-77210
015650-77310

(A)=
(B)=3TNA72L-UKS
(C)=

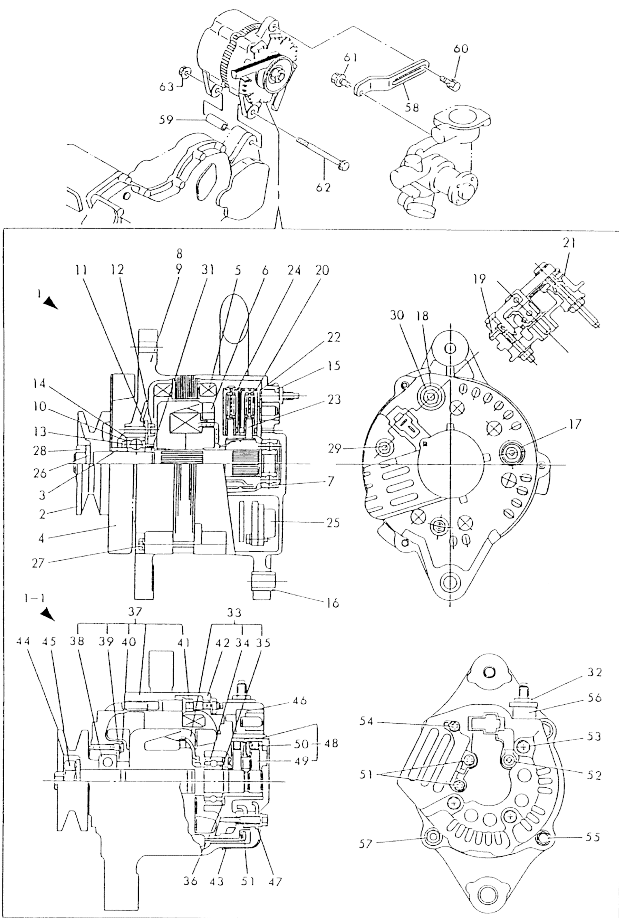
(D)=
(E)=
(F)=

No.	Lev.	Parts No.	Description	Q'ty						I	R
				(A)	(B)	(C)	(D)	(E)	(F)		
26	2	X9025814001 (B=E25030)	WASHER		1						Z
27	2	X9480420910 (B=E25030)	BOLT		3						Z
28	2	X9490501080 (B=E25030)	NUT		1						Z
29	2	X9490560990 (B=E25030)	NUT		3						Z
30	2	X9490561001 (B=E25030)	NUT		1						Z
31	2	X9491920900 (B=E25030)	COLLAR		1						Z
32	2	X9490561001 (B=E25030)	NUT		1						W
33	2	119620-77380 (B=E25030)	ROTOR ASSY		1						W
34	3	119620-79240 (B=E25030)	BEARING, BALL		1						W
35	3	119620-79250 (B=E25030)	COVER		1						W
36	3	119620-79360 (B=E25030)	WASHER, THRUST		1						W
37	2	119620-77420 (B=E25030)	FLAME ASSY, DRIVE		1						W
38	3	119620-79200 (B=E25030)	BEARING, BALL		1						W
39	3	119620-79210 (B=E25030)	PLATE, RETAINER		1						W
40	3	119620-79220 (B=E25030)	SCREW		4						W
41	3	119620-79230 (B=E25030)	STUD		2						W
42	2	119620-77440 (B=E25030)	FRAME ASSY		1						W
43	2	119620-77450 (B=E25030)	COVER		1						W
44	2	119620-77460 (B=E25030)	PULLEY, CRANKSHAFT		1						W
45	2	119620-77470 (B=E25030)	NUT		1						W
46	2	119620-77710 (B=E25030)	REGULATOR ASSY		1						W
47	2	119620-79260 (B=E25030)	HOLDER		1						W
48	2	119620-79270 (B=E25030)	HOLDER, BRUSH		1						W
49	3	119620-77480 (B=E25030)	BRUSH ASSY		2						W
50	3	119620-79280 (B=E25030)	SPRING		2						W
51	2	119620-79290 (B=E25030)	SCREW		6						W

N:Old $\frac{100}{100}$ New, Q:Old $\frac{100}{100}$ New, R:Old $\frac{100}{100}$ New, S:Old $\frac{100}{100}$ New, W:Add, Z:Discontinued, F:Interchangeable by set, K:Q'ty Change
 ++ CONTINUE ++
 Copyright (C) YANMAR CO., LTD. All Rights Reserved.

Fig.60. GENERATOR

015646-77210
015550-77310



(A)=
(B)=3TNA72L-UKS
(C)=

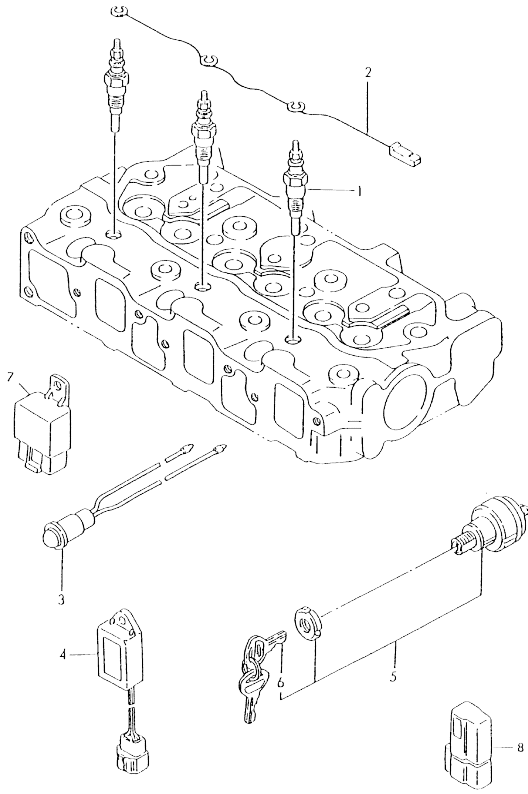
(D)=
(E)=
(F)=

No.	Lev.	Parts No.	Description	Q'ty						I	R
				(A)	(B)	(C)	(D)	(E)	(F)		
52	2	119620-79300	SCREW (B=E25030)		1						W
53	2	119620-79310	BOLT (B=E25030)		3						W
54	2	119620-79320	SCREW (B=E25030)		2						W
55	2	119620-79330	BOLT (B=E25030)		2						W
56	2	119620-79340	BUSH, INSULATION (B=E25030)		1						W
57	2	119620-79350	NUT (B=E25030)		2						W
58	1	119660-77330	ADJUSTER (B=E25030)		1						
59	1	119621-77340	PIECE, DISTANCE (B=*1990.)		1						Z
60	1	26014-080252	BOLT, M8X 25 (B=*1990.)		1						
61	1	26106-080182	BOLT, M8X 18 PLATED (B=*1990.)		1						
62	1	26106-081052	BOLT, M8X105 PLATED (B=*1990.)		1						N
62-1	1	26106-100552	BOLT, M10X 55 PLATED (B=*1990.)		1						
63	1	26366-080002	NUT, M8 (B=*1990.)		1						Z

N:Old $\frac{100}{100}$ New. Q:Old $\frac{100}{100}$ New. R:Old $\frac{100}{100}$ New. S:Old $\frac{100}{100}$ New. W:Add. Z:Discontinued. F:Interchangeable by set. K:Q'ty Change
Copyright (C) YANMAR CO., LTD. All Rights Reserved.

Fig.61. ELECTRIC PART

015654-77310
 015650-77700
 015646-93010

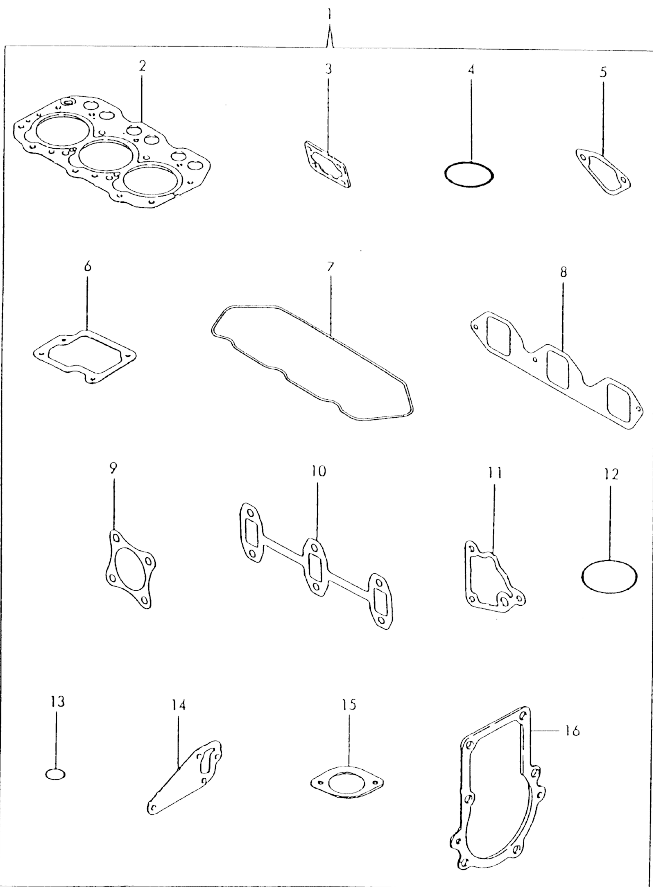


(A)=
 (B)=3TNA72L-UKS
 (C)=

(D)=
 (E)=
 (F)=

No.	Lev.	Parts No.	Description	Q'ty						I	R
				(A)	(B)	(C)	(D)	(E)	(F)		
1	1	129795-77800	PLUG, GLOW		3						
2	1	119645-77820	CONNECTOR, GLOW PLUG		1						
3	1	124732-77720	LAMP, CHARGING		1						
4	1	128300-77920	TIMER		1						
5	1	121400-91251	SWITCH, STARTER		1						
6	2	121400-91271	KEY, SWITCH		2						
7	1	119247-77100	RELAY, SAFETY		1						W
		(B=E31403)									
8	1	119643-66900	DIODE		1						W
		(B=E31406)									

Fig.62. GASKET SET(OPTIONAL)



(A)=
(B)=3TNA72L-UKS
(C)=

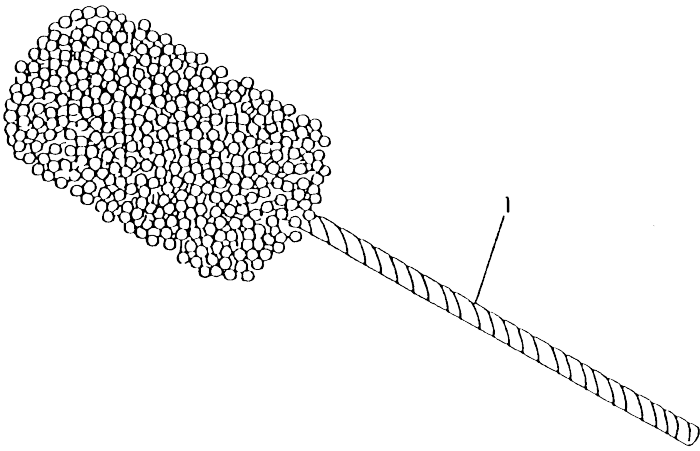
(D)=
(E)=
(F)=

No.	Lev.	Parts No.	Description	Q'ty						I	R	
				(A)	(B)	(C)	(D)	(E)	(F)			
1	1	719685-92600	GASKET SET		1						1	
1-1	1	719685-92601	GASKET SET (B=EXXX)		1						N	1
2	2	119610-01340	GASKET, HEAD		1							
3	2	119660-01561	GASKET		1							
3-1	2	119660-01562	GASKET (B=E39286)		1							R
4	2	121420-01760	O-RING		2							
4-1	2	24311-000320	O-RING, 1AP32.0 (B=E21469)		2							N
5	2	121520-01850	GASKET		1							
5-1	2	121520-01851	GASKET (B=E39286)		1							R
6	2	119620-03030	GASKET		1							
6-1	2	119620-03031	GASKET (B=E39286)		1							R
7	2	119620-11310	GASKET, BONNET		1							
8	2	119660-12111	GASKET, MANIFOLD		1							
9	2	121000-13200	GASKET, SILENCER		2							
10	2	119620-13110	GASKET		1							
11	2	119660-35112	GASKET		1							
11-1	2	119660-35113	GASKET (B=E39286)		1							R
12	2	124450-35110	O-RING		1							
13	2	24311-000160	O-RING, 1AP16.0		1							
14	2	119620-42020	GASKET, WATER PUMP		1							
15	2	129350-49540	GASKET		1							
15-1	2	129350-49541	GASKET (B=E41789)		1							R
16	2	119660-61051	GASKET		1							
16-1	2	119660-61052	GASKET (B=EXXX)		1							N

Remarks
(1)OPTIONAL PART.

OCD10-M41702

Fig.63. SPECIAL TOOL(OPTIONAL)



OCD10-M41702 Fig.63

(A)=
(B)=3TNA72L-UKS
(C)=

(D)=
(E)=
(F)=

No.	Lev.	Parts No.	Description	Q'ty						I	R
				(A)	(B)	(C)	(D)	(E)	(F)		
1	1	129400-92410	HONE		1						

Parts No. Index

Parts No.	Fig. No.	Ref. No.
101158-11190	7	10
	49	10
101304-59020	34	1
	57	1
101720-55750	32	10
	57	18
102100-67080	36	41
	58	41
102103-55520	32	6
	57	14
103854-59191	34	5
	57	5
104200-55321	32	2
	57	10
104200-55330	32	3
	57	11
104200-55341	32	4
	57	12
104200-55750	32	11
	57	19
104200-59170	34	4
	44	21
	57	4
104211-11370	7	12
	49	13
104264-59030	34	2
	57	2
104884-59170	1	16
	46	17
105010-11230	8	4
		7
	49	24
		27
105025-59550	35	5
	56	45
105225-23200	18	3
	53	18
105546-51330	29	9
	56	8
105582-59150	34	3
	57	3
110250-55610	32	7
	57	15
114250-53130	31	6
	56	31
114250-53400	31	8
	56	33
118400-03060	49	41 -1
119247-77100	41	8
	61	7

Parts No.	Fig. No.	Ref. No.
119260-07900	6	1
	49	18
119260-59520	35	3 -1
	56	43 -1
119260-59530	35	4 -1
	56	44 -1
119600-01050	1	2 -1
	46	2 -1
119600-01501	2	1
	47	1
119600-01721	5	4
119600-01722	5	4 -1
	48	4
119600-11410	7	13
119600-11450	7	14
	49	16
119600-11460	7	15
	44	8
	49	17
119600-13100	13	1
	51	1
119600-22091	17	1
119600-22092	17	1 -1
119600-34800	22	1
	54	4
119600-35081	23	8
	54	14
119600-52021	30	2
	57	23
119600-61100	36	7
	58	7
119600-61200	36	7 A
	58	7 A
119600-61540	36	15
	58	15
119600-61900	36	9 H
		37
	58	9 H
	37	
119600-66020	36	38
	58	38
119600-66530	37	1
	58	46
119600-66720	36	27
	58	27
119600-66840	37	8
	58	52
119610-01340	46	14
	62	2
119610-01490	2	1 -1

Parts No.	Fig. No.	Ref. No.
119610-01490	47	1 -1
119610-01590	2	3 -1
	47	5 -1
119610-61200	36	9 A
	58	9 A
119620-01200	1	13
	46	13
119620-01620	4	3 -1
	48	7
119620-01800	2	3 B
		5
	47	6
119620-01950	2	7
	47	8
119620-02020	1	7
	46	7
119620-02410	1	10
	46	10
119620-02450	1	11
	14	2 B
	46	11
	52	2 A
119620-03020	9	7
	49	42
119620-03030	9	8
	44	6
	49	43
	62	6
119620-03031	9	8 -1
	44	6 -1
	49	43 -1
	62	6 -1
119620-11100	7	6
	49	6
119620-11110	7	7
	49	7
119620-11120	7	8
	49	8
119620-11180	7	9
	49	9
119620-11200	8	1
	49	21
119620-11240	8	2
	49	22
119620-11260	8	9
	49	29
119620-11280	8	10
	49	30
119620-11310	9	3
		10 B

Parts No.	Fig. No.	Ref. No.
119620-11310	44	10
	49	38
		45 B
	62	7
119620-11330	9	5 -1
	49	40 -1
119620-11331	49	40 -2
119620-11350	8	13
	49	33
119620-11390	9	6
	49	41
119620-11801	49	15
119620-13110	13	2
	44	12
	51	2
	62	10
119620-14100	14	2 C
		4
	52	2
119620-14200	14	5
	52	3
119620-14400	14	6
	52	4
119620-21500	16	1
	53	8
119620-21941	15	6
	53	6
119620-22090	53	11
119620-22300	17	3
	53	13
119620-23100	18	2
119620-23910	53	20
119620-25062	19	4
119620-25102	19	3
	52	15
119620-25912	52	16
119620-42020	25	2
	44	17
	55	2
	62	14
119620-42320	25	1 J
	55	1 J
119620-51101	29	2
	56	2
119620-51170	29	3
	56	3
119620-51180	29	4
	56	4
119620-51190	29	5
	56	5

Parts No. Index

Parts No.	Fig. No.	Ref. No.
119620-51250	29	7
	56	6
119620-51300	29	8
	56	7
119620-51340	29	10
	56	9
119620-51350	29	11
	56	10
119620-51370	29	12
	56	11
119620-51450	29	13
	56	12
119620-51461	29	14
	56	13
119620-51510	29	16
	56	15
119620-51650	29	18
	56	17
119620-51660	29	19
	56	18
119620-51670	29	20
	56	19
119620-51680	29	21
	56	20
119620-51700	29	6
	56	21
119620-53000	31	2
	56	27
119620-53080	31	3
	56	28
119620-53120	31	5
	56	30
119620-53140	31	7
	56	32
119620-59540	35	1
	56	41
119620-59700	35	6
	56	46
119620-59810	33	3
119620-59811	33	3 -1
	56	38
119620-59820	33	4
119620-59821	33	4 -1
	56	39
119620-59830	33	5
119620-59831	33	5 -1
	56	40
119620-77200	39	1
	43	1
	60	1

Parts No.	Fig. No.	Ref. No.
119620-77201	39	1 -1
	43	1 -1
	60	1 -1
119620-77380	43	33
	60	33
119620-77420	43	37
	60	37
119620-77440	43	42
	60	42
119620-77450	43	43
	60	43
119620-77460	43	44
	60	44
119620-77470	43	45
	60	45
119620-77480	43	49
	60	49
119620-77710	43	46
	60	46
119620-79200	43	38
	60	38
119620-79210	43	39
	60	39
119620-79220	43	40
	60	40
119620-79230	43	41
	60	41
119620-79240	43	34
	60	34
119620-79250	43	35
	60	35
119620-79260	43	47
	60	47
119620-79270	43	48
	60	48
119620-79280	43	50
	60	50
119620-79290	43	51
	60	51
119620-79300	43	52
	60	52
119620-79310	43	53
	60	53
119620-79320	43	54
	60	54
119620-79330	43	55
	60	55
119620-79340	43	56
	60	56
119620-79350	43	57

Parts No.	Fig. No.	Ref. No.
119620-79350	60	57
119620-79360	43	36
	60	36
119621-01520	2	3
	47	5
119621-21650	15	4
	53	4
119621-21680	15	5
	53	5
119621-26140	3	10
	47	25
119621-66091	36	9 I
	31	
	58	9 I
	31	
119621-77340	39	3
	60	59
119629-14580	14	2
	52	1
119640-12561	10	9
	50	9
119640-12580	10	10
	50	10
119640-12590	10	8
	50	8
119640-13500	12	2
	51	9
119640-42290	25	3
	55	3
119640-66051	36	39
	58	39
119643-66900	41	7
	61	8
119645-77820	40	2
	61	2
119646-12550	10	7
	50	7
119646-12560	10	12
	50	12
119646-12570	10	13
	50	13
119646-39910	5	7
	48	11
119646-39920	5	8
	48	12
119646-39930	5	9
	48	13
119646-44500	26	2
119646-44510	55	15
119646-44511	55	15 -1

Parts No.	Fig. No.	Ref. No.
119646-44520	55	16
119646-44521	55	16 -1
119646-44530	55	18
119646-44700	26	1
119646-44900	27	3 -1
	55	7
119646-44901	27	3 -2
	55	7 -1
119646-49010	28	1
119646-49020	28	2
	55	26
119646-49030	55	27
119649-21650	15	4 -1
	53	4 -1
119654-12500	10	1
	50	1
119656-01340	1	14
	44	2
119656-01900	1	15
	46	15
119656-11410	49	14
119656-21591	16	2
	53	9
119656-61500	36	12
	58	12
119656-66910	36	40
	58	40
119656-77041	38	3
	59	28
119660-01510	2	2
	47	2
119660-01551	3	1
	47	16
119660-01561	3	2
	44	3
	47	17
	62	3
119660-01562	3	2 -1
	44	3 -1
	47	17 -1
	62	3 -1
119660-01570	3	3
	47	18
119660-01640	4	1
	48	8
119660-01821	14	1
	52	6
119660-01911	2	6
	47	7
119660-12101	11	1

Parts No. Index

Parts No.	Fig. No.	Ref. No.
119660-12101	50	20
119660-12111	11	2
	44	11
	50	21
	62	8
119660-14092	14	3
119660-21201	15	2
	53	2
119660-25022	19	1
	52	13
119660-25052	19	2
	52	14
119660-25902	14	10 C
	20	1
	52	8 B
		19
119660-32001	21	1
	54	1
119660-32020	21	2
	44	14
	54	2
119660-35102	23	1
	54	6
119660-35112	23	2
	44	16
	54	7
	62	11
119660-35113	23	2 -1
	44	16 -1
	54	7 -1
	62	11 -1
119660-35150	23	3
	54	8
119660-35300	23	5
	54	10
119660-42003	25	1
	55	1
119660-42004	25	1 -1
	55	1 -1
119660-42350	25	4
	55	4
119660-51500	29	15
	56	14
119660-51530	29	17
	56	16
119660-61013	36	2
		9 C
	58	2
		9 C
119660-61051	36	3

Parts No.	Fig. No.	Ref. No.
119660-61051	58	3
		9 D
	62	16
119660-61052	36	9 D
	58	9 D-1
	62	16 -1
119660-61060	36	4
	58	4
119660-61070	36	5
	58	5
119660-61071	36	5 -1
	58	5 -1
119660-61121	36	6
	58	6
119660-61140	36	6 A
	58	6 A
119660-61150	36	6 B
	58	6 B
119660-61300	36	8
	58	8
119660-61341	36	9
	58	9
119660-61460	36	9 E
		29
	58	9 E
		29
119660-61491	36	11
	58	11
119660-61651	36	16
	58	16
119660-61901	36	21
	58	21
119660-77330	39	2
	60	58
119840-61870	36	36
	58	36
119860-12510	10	3
	50	3
119860-12550	10	4
	50	4
119860-12560	10	5
	50	5
121000-13200	12	1
	44	13
	51	8
	62	9
121023-01550	3	13
	47	28
121250-44901	27	1
	55	8

Parts No.	Fig. No.	Ref. No.
121250-49121	28	4
	55	29
121250-55620	32	8
	57	16
121254-55510	32	5
	57	13
121254-55600	32	1
	57	9
121256-44600	26	9
	55	24
121400-91251	41	5
	61	5
121400-91271	41	6
	61	6
121420-01760	3	5
	9	2
	44	4
		9
	47	20
	62	4
121450-01560	2	2 A
		4
	47	3
121450-44510	26	4
	55	19
121450-44530	26	5
	55	20
121450-61520	36	14
	58	14
121470-44540	26	8
	55	23
121476-01620	38	1
	59	27
121520-01850	30	1
	44	20
	57	22
	62	5
121520-01851	30	1 -1
	44	20 -1
	57	22 -1
	62	5 -1
121520-34810	22	2
	54	5
121521-49100	28	3
	55	28
121522-77101	41	1
121525-59090	34	7
	57	7
121550-49111	1	17
	46	16

Parts No.	Fig. No.	Ref. No.
121575-66830	37	7
	58	51
121850-11860	7	3
	49	3
124066-03770	36	34
	58	34
124066-59100	35	2
		9
	56	42
		49
124085-02220	4	2
	48	9
124101-49530	27	4
	55	10
124160-01750	9	1
124160-01751	3	4
	9	1 -1
		1 -2
		10 A
	47	19
	49	48
124160-01900	1	2
124160-01910	46	2
124160-11340	7	11 A
	44	29
	49	12
124160-11360	9	4
	49	39
124160-39450	24	1
	54	17
124240-01871	3	7
		8
	47	22
		23
124240-01882	3	9
	44	5
	47	24
124250-03640	36	33
	58	33
124450-35110	23	4
	44	15
	54	9
	62	12
124450-44550	26	10
	55	25
124450-44560	26	6
	55	21
124465-44950	27	2
		2 -1
	44	19

Parts No. Index

Parts No.	Fig. No.	Ref. No.
124465-44950	44	19 -1
	55	9
		9 -1
124550-55700	32	9
	57	17
124550-66370	37	6
	58	50
124732-77720	41	2
	61	3
124732-77970	41	3
124766-59050	28	8
	34	8
	55	33
	57	8
124772-66750	37	2
	58	47
124950-11340	7	11
		11 -1
	44	7
		7 -1
	49	11
124976-77011	38	2
	42	1
	59	1
128272-11170	7	2
128300-77920	41	4
	61	4
129100-01580	15	3 A
	38	4 -1
	53	3 A
		7
	59	26
129100-61930	37	3
	58	45
129150-35350	23	11
	54	11
129150-59120	33	1
	56	35
129150-59130	33	2
	56	36
129155-51280	36	1
		9 B
	58	1
		9 B
129155-59520	35	3
	56	43
129155-59530	35	4
	56	44
129155-61480	36	10
	58	10

Parts No.	Fig. No.	Ref. No.
129155-61590	36	28
	58	28
129155-61830	31	9
	56	34
129350-21600	16	3
	53	10
129350-49540	27	5
	44	18
	55	11
	62	15
129350-49541	27	5 -1
	44	18 -1
	55	11 -1
	62	15 -1
129350-49800	27	6
	55	12
129400-92400	45	1
129400-92410	63	1
129795-77800	40	1
	61	1
135210-61090	37	5
	58	49
171005-49380	27	3
171022-49160	28	7
	55	32
	10	19
171126-12210	50	19
	5	2
171301-01640	48	2
	36	13
174307-51700	58	13
194990-22050	2	8
	13	3
		4
	36	35
	47	9
	51	3
		4
	58	35
22117-040000	36	17
	58	17
22137-040000	29	22
	56	22
22217-040000	29	23
	56	23
22217-050000	9	9
	49	44
22242-000120	8	11
	49	31
22242-000200	19	5

Parts No.	Fig. No.	Ref. No.
22242-000200	52	17
22252-000210	17	4
	53	14
22272-000040	36	18
	58	18
22272-000050	36	42
	58	42
22312-060100	4	3
22312-080160	16	4
	38	4
22351-020004	36	19
	58	19
22351-030014	36	20
	58	20
22351-040010	2	2 B
		9
	36	22
	47	4
	58	22
22351-060012	7	16
	49	2
22360-040000	36	23
	58	23
22360-060000	36	24
	58	24
22451-060000	37	9
	58	53
22512-040120	14	2 D
		7
		8
		10 D
	15	3
	52	2 B
		5
		8
	53	3
22857-500100	49	45 -1
23000-060000	10	11
	50	11
23010-025000	5	12
	48	16
23010-038000	28	6
	55	31
23065-070180	26	7
	55	22
23065-120500	9	11
	49	46
23414-080012	34	6
	44	22
	57	6

Parts No.	Fig. No.	Ref. No.
23414-140000	35	7
	44	23
	56	47
23414-220000	5	10
	48	14
23418-060000	32	12
	57	20
23780-041300	35	8
	56	48
23857-180000	5	11
	48	15
23871-010000	1	3
	46	3
24101-062034	14	9
	52	9
24102-063034	14	10 A
	52	8 A
		10
24311-000120	2	10
	9	12
	23	9
	44	24
	47	10
	49	47
	54	15
24311-000160	23	6
	28	5
	44	25
	54	12
	55	30
	62	13
24311-000320	3	5 -1
	9	2 -1
		2 -2
		10 C
	44	4 -1
		9 -1
	47	20 -1
	49	49
	62	4 -1
24311-240100	32	13
	44	26
	57	21
24341-000070	36	9 M
		30
	58	9 M
		30
24341-000240	3	14 -1
	5	3 -1
	44	27 -1

Parts No. Index

Parts No.	Fig. No.	Ref. No.
24341-000240	44	28 -1
	47	29 -1
	48	3
24341-000250	5	3
	44	27
24341-000260	3	14
	44	28
	47	29
26014-060182	10	16
	50	16
26014-060202	30	3
	57	24
26014-080202	10	15
	50	15
26014-080222	10	14
	50	14
26014-080252	39	4
	60	60
26022-040082	29	24
	56	24
26106-060102	23	10
	25	6
	36	9 N
		32
	54	16
	55	5
	58	9 N
		32
26106-060122	1	12
	5	5
	19	6
	46	12
	48	5
	52	18
26106-060162	2	11
	11	3
	14	11
	47	11
	50	22
	52	11
26106-060182	3	15
	47	30
26106-060222	4	4
	48	10
26106-060302	2	12
		12 -1
	47	12
		12 -1
26106-060402	11	4
	50	23

Parts No.	Fig. No.	Ref. No.
26106-060452	5	6
	48	6
26106-060602	2	13
		14
	47	13
		14
26106-060702	36	25
	58	25
26106-060802	2	15
	47	15
26106-080122	3	11
	47	26
26106-080142	6	2
		3
	49	19
		20
26106-080162	39	5 -1
26106-080182	39	5
	60	61
26106-080202	23	7
	54	13
26106-080252	27	7
	55	13
26106-080402	3	12
	13	5
	47	27
	51	5
26106-080452	8	14
	25	5
	49	34
	55	6
26106-080552	27	8
	55	14
26106-081052	39	6
	60	62
26106-100552	39	6 -1
	60	62 -1
26116-040088	36	43
	58	43
26116-050102	36	26
	58	26
26206-100202	38	5
	59	29
26216-080222	13	6
	51	6
26216-080552	13	7
	51	7
26366-060002	3	6
	10	18
	47	21

Parts No.	Fig. No.	Ref. No.
26366-060002	50	18
26366-080002	8	15
	10	17
	39	7
	49	35
	50	17
	60	63
26450-060202	21	3
	54	3
26557-050102	9	10
	49	45
26587-040102	29	25
	56	25
26587-080102	14	12
	52	12
26716-120002	38	6
	59	30
26756-060002	8	5
		8
	36	44
	49	25
		28
	58	44
26979-050162	8	12
	49	32
27221-050080	7	4
	49	4
27231-450000	1	4
	46	4
27241-120000	1	5
	46	5
27241-300000	1	6
	46	6
27241-400000	7	5
	49	5
27310-070001	7	10 -1
	49	10 -1
43400-500400	37	10
	58	54
43400-500450	37	4
	58	48
43400-500490	27	9
	55	34
719600-01562	1	1
719600-22501	17	2
719610-01560	46	1
719620-02800	1	8
	46	8
719620-02870	46	18
719620-02930	1	9

Parts No.	Fig. No.	Ref. No.
719620-02930	46	9
719620-11520	9	5
	49	40
719620-11521	49	40 -3
719620-11650	8	3
	49	23
719620-11660	8	6
	49	26
719620-22500	53	12 -1
719620-22501	53	12
719620-22540	53	16
719620-22820	53	15
719620-23100	18	1
	53	17
719620-23600	18	4
	53	19
719620-23610	53	21
719620-53100	31	1
	56	26
719621-51100	56	1
719630-22502	17	2 -1
719631-01540	5	1
	48	1
719646-92600	44	1
719646-92601	44	1 -1
719656-11701	7	1
719660-11700	49	1
719660-14590	14	10
	52	7
719660-21700	15	1 -1
	53	1 -1
719660-21701	15	1
	53	1
719660-51100	29	1
719685-92600	62	1
719685-92601	62	1 -1
X0210412581	43	2
	60	2
X0210450040	43	3
	60	3
X0210510800	43	4
	60	4
X0211000880	43	5
	60	5
X0212000480	43	6
	60	6
X0214002010	43	8
	60	8
X0214011671	43	9
	60	9

Parts No. Index

Parts No.	Fig. No.	Ref. No.
X0214050010	43	10
	60	10
X0214110280	43	11
	60	11
X0215014560	43	15
	60	15
X0215410321	43	16
	60	16
X0216050291	43	17
	60	17
X0216050301	43	18
	60	18
X0216050890	43	21
	60	21
X0216202141	43	20
	60	20
X0216250180	43	22
	60	22
X0216600130	43	23
	60	23
X0219972990	43	19
	60	19
X0260007000	43	25
	60	25
X211414501	42	13
	59	13
X211415502	42	3
	59	3
X211415505	42	20
	59	20
X211425502	42	4
	59	4
X211425505	42	23
	59	23
X21142867	42	19
	59	19
X211429006	42	22
	59	22
X211429007	42	9
	59	9
X21143315	42	7
	59	7
X211435502	42	24
	59	24
X211445502	42	25
	59	25
X211447007	42	14
	59	14
X211448004	42	16
	59	16

Parts No.	Fig. No.	Ref. No.
X211451007	42	2
	59	2
X21145866	42	18
	59	18
X211459002	42	11
	59	11
X21146012	42	15
	59	15
X211468005	42	17
	59	17
X211472106	42	5
	59	5
X211476504	42	12
	59	12
X21148215	42	6
	59	6
X211483003	42	8
	59	8
X21148314	42	10
	59	10
X211495009	42	21
	59	21
X772035051	10	6
	50	6
X9025814001	43	26
	60	26
X9480070010	43	12
	60	12
X9480420910	43	27
	60	27
X9490200230	43	13
	60	13
X9490501080	43	28
	60	28
X9490560990	43	29
	60	29
X9490561001	43	30
	60	30
	60	32
X9491000340	43	14
	60	14
X9491000350	43	7
	60	7
X9491700570	43	24
	60	24
X9491920900	43	31
	60	31
XR904110700	26	3
	55	17

Parts No.	Fig. No.	Ref. No.
XX75183164	10	2
	50	2

Parts No.	Fig. No.	Ref. No.
-----------	----------	----------