

0CD10-M34101EN

PREFACE

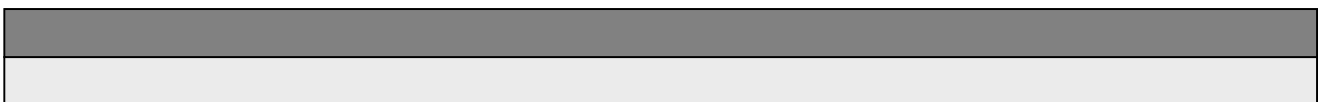
1. This Parts Catalog is the 1st edition of 3TNA72L-UMS Diesel Engine for MAEDA IND..

Pub. No. : 000Y00D3411

Published : August, 1991

2. Model name

Engine model	Vehicle		Vehicle made by
	Products	Model name	
3TNA72L-UMS	—	—	MAEDA IND.



Directions for the Parts Catalog.

1. This Parts Catalog shows both standard and optional parts.
2. Parts may change without prior notice.
3. The following is an example of the Parts Catalog format.

REF.	LEV.	PARTS NO.	DESCRIPTION	Q'TY						I	R
				(A)	(B)	(C)	(D)	(E)	(F)		
1	1	729595-51390	FUEL INJECTION PUMP	1	1	1	1	1			1
1-1	1	729595-51391	FUEL INJECTION PUMP	1	1	1	1	1		N	1
		(A=E00185) (B=E00200)									
3	2	26022-060162	SCREW M 6X 16	9	9	9	9	9			
3-1	2	26022-060162	SCREW M 6X 16	4	4	4	4	4		K	
		(A=E00156) (B=E00156) (C=E00156) (D=E00156) (E=E00156)									
4	2	129470-51040	CAMSHAFT	1	1	1	1	1			
5	2	122710-51050	BEARING, ROLLER	2	2	2	2	2			
6	2	129470-51060	RETAINER	1	1	1	1	1			

Remarks
(1) BOOST COMPEMSATOR TYPE. OPTIONAL PART, TO E00155,(4JH-DT, 4JH-DTZ

① Ref. No.

The Ref. No. listed may not be in accordance with the illustration Ref. No.

(Ex.) Illustration No. List Ref No.

1 1 (Before change) → 1-1 (After change)

For interchangeable symbols N, R and K, illustrations for new parts may be abbreviated.

② Lev. (Level)

Level indication

The numbers below indicate the level of relativity towards the main part.

1 ---- Main parts (Assembly parts)

2 ---- Sub component included in " 1 ".

3 ---- Sub component included in " 2 ".

Note) Parts that are not for sale are partially illustrated but not listed.

③ Interchangeability Symbol

When a part change takes place, one of the following interchangeability symbols is indicated beside the part.

Symbol	Interchangeability	Contents note
N	Old $\begin{matrix} \leftarrow \text{Yes} \\ \text{No} \rightarrow \end{matrix}$ New	New Part is interchangeable for Old Part but Old Part is not interchangeable for New Part.
Q	Old $\begin{matrix} \leftarrow \text{No} \\ \text{Yes} \rightarrow \end{matrix}$ New	New Part is not interchangeable for Old Part but Old Part is interchangeable for New Part.
R	Old $\begin{matrix} \leftarrow \text{Yes} \\ \text{Yes} \rightarrow \end{matrix}$ New	New/ Old Parts are both interchangeable.
S	Old $\begin{matrix} \leftarrow \text{No} \\ \text{No} \rightarrow \end{matrix}$ New	New/ Old Parts are both not interchangeable.
W		Part newly added.
Z		Part discontinued.
F		Not interchangeable by a single part but interchangeable together with related parts.
K		Changes only for used parts quantities.

④ Effective Machine No.

When a part changes, the effective Machine No. will be indicated in the (A)-(F) column.

Product Symbol	Product No.	Product Symbol	Product No.
C	Clutch No. Compressor No.	F	Machine No. (Agricultural Equip.)
D	Drive No.	M	Machine No.
E	Engine No.		

Note 1) A date may follow the symbol. (Ex.) 1996.01

Note 2) "XXXXX" and "ZZZZZ" are for parts that could not be predicted or for engine models that could not be identified.

Note 3) (A=E00185) is the E (Engine Serial Number) for the column (A) model (in this case 4JH-DT) after the parts design change.

⑤ Remarks

Figures or alphabets (symbols) are entered in the remarks column.

The comments (remarks) on parts that are indicated at the bottom of the illustration are the same symbols as those stated above.

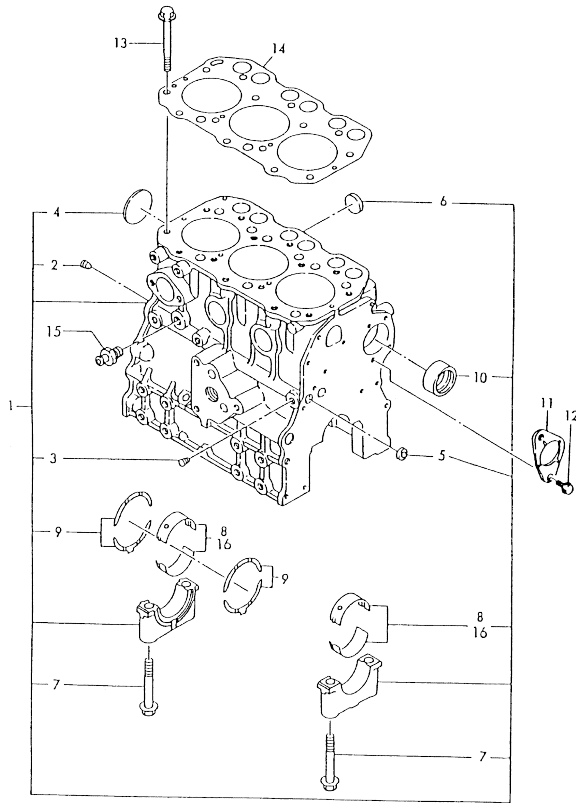
Contents

OCD10-M34101

Fig. No.	Fig. Name	Fig. No.	Fig. Name
ENGINE 3TNA72L-UMS			
1.	CYLINDER BLOCK		
2.	GEAR HOUSING		
3.	FLYWHEEL & LUB.OIL SUMP		
4.	CYLINDER HEAD & BONNET		
5.	SUCTION MANIFOLD & AIR CLEANER		
6.	EXHAUST MANIFOLD & SILENCER		
7.	CAMSHAFT & DRIVING GEAR		
8.	CRANKSHAFT & PISTON		
9.	LUB.OIL SYSTEM		
10.	COOLING WATER SYSTEM		
11.	FUEL INJECTION PUMP		
12.	FUEL LINE		
13.	GOVERNOR		
14.	ENGINE STOP DEVICE		
15.	STARTING MOTOR		
16.	GENERATOR		
17.	ELECTRIC PART		
18.	GASKET SET(OPTIONAL)		

OCD10-M34101 ENGINE 3TNA72L-UMS
 Fig.1. CYLINDER BLOCK

019610-01100
 019620-02100
 019629-02700
 019600-49300



OCD10-M34101 Fig.1

(A)=3TNA72L-UMS
 (B)=
 (C)=

(D)=
 (E)=
 (F)=

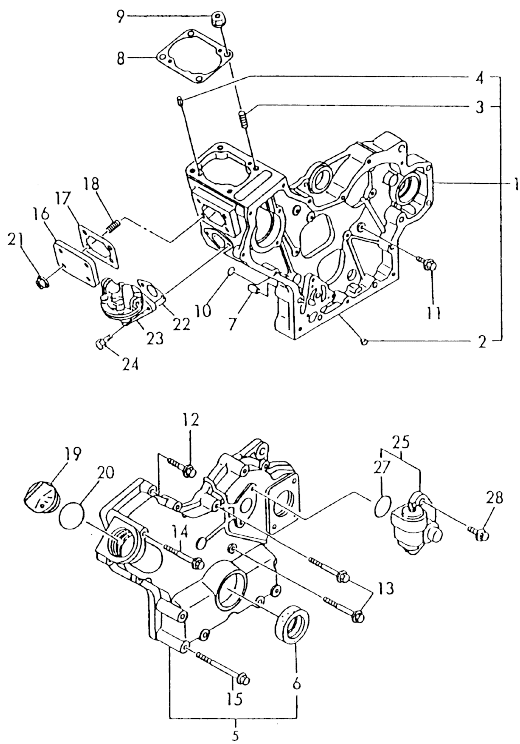
No.	Lev.	Parts No.	Description	Q'ty						I	R
				(A)	(B)	(C)	(D)	(E)	(F)		
1	1	719610-01560	BLOCK ASSY, CYLINDER	1							
2	2	119600-01050	PLUG, PT1/4	1							
3	2	23871-010000	PLUG, R01	1							
4	2	27231-450000	PLUG 45	1							
5	2	27241-120000	PLUG, 12	1							
6	2	27241-300000	PLUG 30	6							
7	2	119620-02020	BOLT, METAL CAP	8							
8	2	719620-02800	BEARING, MAIN	4							
9	2	719620-02930	BEARING, THRUST	2							
10	2	119620-02410	BUSH, CAMSHAFT	1							
11	1	119620-02450	BEARING, THRUST	1							Z
(A=E000)											
12	1	26106-060122	BOLT, M6X 12 PLATED	2							
13	1	119620-01200	BOLT, HEAD	14							
14	1	119610-01340	GASKET, HEAD	1							
15	1	121550-49111	JOINT, PT1/4	1							
16	1	719620-02870	BEARING, 0.25 US	4							1

Remarks
 (1) UNDER-SIZE(U.S=0.25)PART.

N:Old $\frac{100}{100}$ New, Q:Old $\frac{100}{100}$ New, R:Old $\frac{100}{100}$ New, S:Old $\frac{100}{100}$ New, W:Add, Z:Discontinued, F:Interchangeable by set, K:Qty Change
 Copyright (C) YANMAR CO., LTD. All Rights Reserved.

OCD10-M34101 ENGINE 3TNA72L-UMS
 Fig.2. GEAR HOUSING

019610-01200
 019600-01320
 719641-51310
 029150-91100



(A)=3TNA72L-UMS
 (B)=
 (C)=

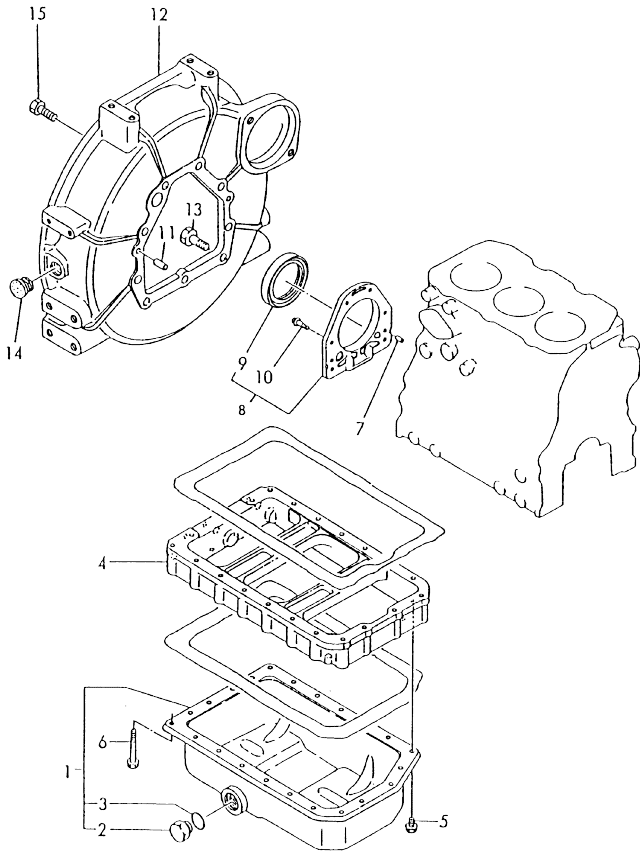
OCD10-M34101 Fig.2

(D)=
 (E)=
 (F)=

No.	Lev.	Parts No.	Description	Qty						I	R
				(A)	(B)	(C)	(D)	(E)	(F)		
1	1	119610-01490	CASE ASSY, GEAR	1							
2	2	119660-01510	PLUG, 10X14	1							
3	2	121450-01560	STUD, M8X22	4							
4	2	22351-040010	PIN, SPRING 4.0X10	2							
5	1	119610-01590	COVER ASSY, GEAR CASE	1							W
(A=E41836)											
6	2	119620-01800	SEAL, OIL	1							
7	1	119660-01911	PIPE, KNOCK	4							
8	1	119620-01950	SHIM SET, ADJUSTING	1							
9	1	194990-22050	NUT, M8	4							
10	1	24311-000120	O-RING, 1AP12.0	2							
11	1	26106-060162	BOLT, M6X 16 PLATED	7							
12	1	26106-060302	BOLT, M6X 30 PLATED	8							
13	1	26106-060602	BOLT, M6X 60 PLATED	3							
14	1	26106-060602	BOLT, M6X 60 PLATED	1							
15	1	26106-060802	BOLT, M6X 80 PLATED	6							
16	1	119660-01551	COVER	1							
17	1	119660-01561	GASKET	1							
17-1	1	119660-01562	GASKET	1							N
(A=E41836)											
18	1	119660-01570	STUD, M6X12	4							
19	1	124160-01751	COVER, FILLER	1							
20	1	24311-000320	O-RING, 1AP32.0	1							
21	1	26366-060002	NUT, M6	4							
22	1	121520-01850	GASKET	1							
22-1	1	121520-01851	GASKET	1							N
(A=E41836)											
23	1	119600-52021	PUMP ASSY, FUEL FEED	1							
24	1	26014-060202	BOLT, M6X 20	2							
25	1	129150-91400	GEAR	1							
27	2	24341-000240	O-RING, 1AS24.0	1							
28	1	26106-060162	BOLT, M6X 16 PLATED	2							

Fig.3. FLYWHEEL & LUB.OIL SUMP

019600-01400
019600-01500
019600-01720



(A)=3TNA72L-UMS
(B)=
(C)=

(D)=
(E)=
(F)=

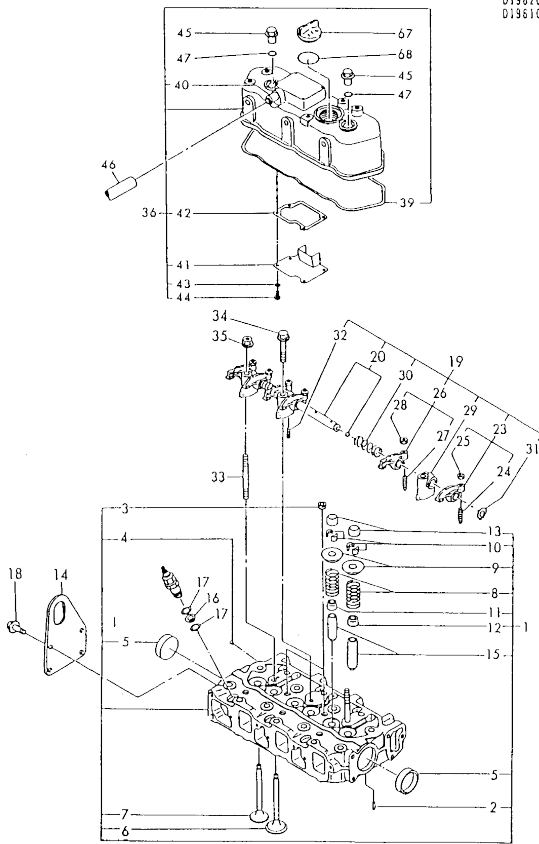
No.	Lev.	Parts No.	Description	Q'ty						I	R
				(A)	(B)	(C)	(D)	(E)	(F)		
1	1	719631-01540	SUMP ASSY, OIL	1							
2	2	171301-01640	PLUG, 22	1							
3	2	24341-000240	O-RING, 1AS24.0	1							
4	1	119600-01722	SPACER, OIL SUMP	1							
5	1	26106-060122	BOLT, M6X 12 PLATED	3							
6	1	26106-060452	BOLT, M6X 45 PLATED	20							
7	1	119620-01620	PIN, M6X10	2							
8	1	119660-01640	CASE ASSY, OIL SEAL	1							W
(A=E41836)											
9	2	124085-02220	SEAL, OIL	1							
10	1	26106-060222	BOLT, M6X 22 PLATED	10							
11	1	129100-01580	PIN, M8X16	2							
12	1	119600-01600	HOUSING, FLYWHEEL	1							
13	1	121120-01620	BOLT, M10X28	3							
14	1	119620-01750	CAP	1							
15	1	26206-100252	BOLT, M10X 25 PLATED	6							

Fig.4. CYLINDER HEAD & BONNET

(A)=3TNA72L-UMS
(B)=
(C)=

(D)=
(E)=
(F)=

D13305-03110
D13632-07301
D13660-11190
D13620-11200
D13610-11310



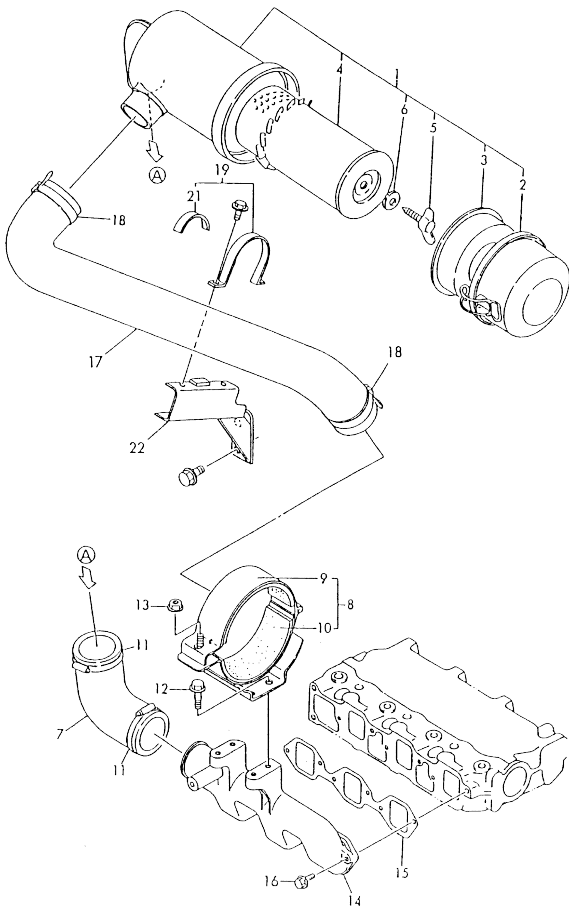
No.	Lev.	Parts No.	Description	Q'ty						I	R
				(A)	(B)	(C)	(D)	(E)	(F)		
1	1	719660-11700	HEAD ASSY, CYLINDER	1							
2	2	22351-060012	PIN, SPRING 6.0X12	2							
3	2	121850-11860	PLUG, PT1/4	2							
4	2	27221-050080	PLUG, 5X 8	1							
5	2	27241-400000	PLUG, 40	2							
6	2	119620-11100	VALVE, INTAKE	3							
7	2	119620-11110	VALVE, EXHAUST	3							
8	2	119620-11120	SPRING, VALVE	6							
9	2	119620-11180	RETAINER, SPRING	6							
10	2	101158-11190	COTTER	6							
10-1	2	27310-070001	COTTER, 7	6							R
(A=EXXXXX)											
11	2	124950-11340	SEAL, VALVE STEM	3							
12	2	124160-11340	SEAL, VALVE STEM	3							
13	2	104211-11370	CAP, VALVE	6							
14	1	119632-07900	LIFTER	1							
15	1	119620-11801	GUIDE, VALVE	6							1
16	1	119600-11450	PROTECTOR, NOZZLE	3							
17	1	119600-11460	GASKET, NOZZLE	6							
18	1	26106-060122	BOLT, M6X 12 PLATED	4							
19	1	119620-11200	SUPPORT ASSY, ARM	1							
20	2	119620-11240	SHAFT ASSY, ROCKER	1							
23	2	719620-11650	ARM ASSY, ROCKER	3							
24	3	105010-11230	SCREW, VALVE ADJUST	3							
25	3	26756-060002	NUT, LOCK M6	3							
26	2	719620-11660	ARM ASSY, ROCKER	3							
27	3	105010-11230	SCREW, VALVE ADJUST	3							
28	3	26756-060002	NUT, LOCK M6	3							
29	2	119620-11260	SUPPORT, ROCKER ARM	3							
30	2	119620-11280	SPRING	2							
31	2	22242-000120	RING, 12	2							
32	2	26979-050162	SCREW, M5X16	1							
33	1	119620-11350	STUD	2							
34	1	26106-080452	BOLT, M8X 45 PLATED	1							
35	1	26366-080002	NUT, M8	2							
36	1	719620-11520	BONNET ASSY, HEAD	1							
36-1	1	119620-11330	BONNET ASSY, HEAD	1							N
(A=E41836)											
39	2	119620-11310	GASKET, BONNET	1							
40	2	119620-11390	JOINT	1							
41	2	119620-03020	PLATE, SHELTER	1							
42	2	119620-03030	GASKET	1							
42-1	2	119620-03031	GASKET	1							N
(A=EXXXX)											
43	2	22217-050000	WASHER, SPRING 5	4							
44	2	26557-050102	SCREW, M5X10	4							
45	1	124160-11360	KNOB	2							
46	1	23065-120500	PIPE, 12X 500	1							
47	1	24311-000120	O-RING, 1AP12.0	2							
67	1	124160-01751	COVER, FILLER	1							
68	1	24311-000320	O-RING, 1AP32.0	1							

Remarks
(1) REPAIR PART.

N:Old $\frac{100}{100}$ New. Q:Old $\frac{100}{100}$ New. R:Old $\frac{100}{100}$ New. S:Old $\frac{100}{100}$ New. W:Add. Z:Discontinued. F:Interchangeable by set. K:Q'ty Change
Copyright (C) YANMAR CO., LTD. All Rights Reserved.

Fig.5. SUCTION MANIFOLD & AIR CLEANER

019645-12200
019632-12110
019632-93120



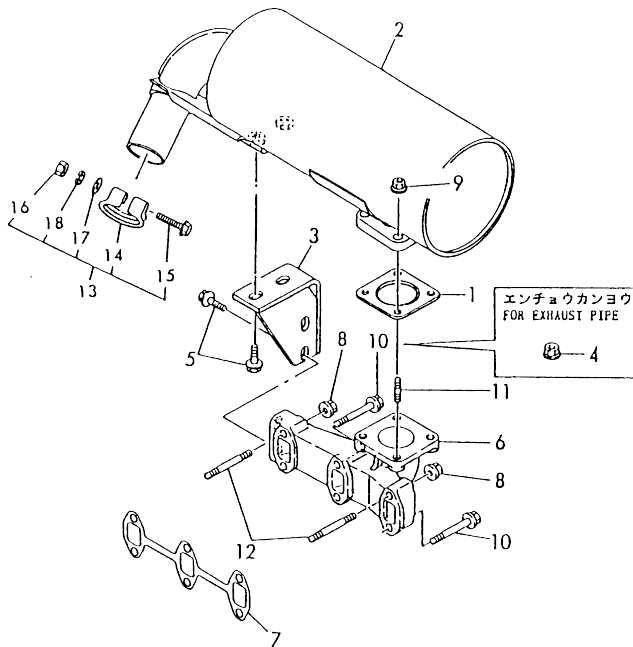
(A)=3TNA72L-UMS
(B)=
(C)=

(D)=
(E)=
(F)=

No.	Lev.	Parts No.	Description	Q'ty						I	R
				(A)	(B)	(C)	(D)	(E)	(F)		
1	1	119632-12510	CLEANER ASSY, AIR	1							
2	2	121024-12660	PAN ASSY, DUST	1							
3	2	121465-12700	RETAINER, ELEMENT	1							
4	2	121465-12510	ELEMENT	1							
5	2	124064-12680	BOLT	1							
6	2	124064-12690	WASHER	1							
7	1	119632-12551	PIPE, AIR INTAKE	1							
8	1	119632-12590	SUPPORT ASSY,CLEANER	1							
9	2	119632-12560	SUPPORT	1							
10	2	119640-12580	SEAT, RUBBER	2							
11	1	23000-060000	CLAMP, 60	2							
12	1	26014-080202	BOLT, M8X 20	4							
13	1	26366-080002	NUT, M8	1							
14	1	119645-12100	MANIFOLD, AIR INTAKE	1							
15	1	119620-12110	GASKET, MANIFOLD	1							
15-1	1	119620-12111	GASKET, MANIFOLD	1							N
		(A=E41836)									
16	1	26106-060202	BOLT, M6X 20 PLATED	6							
17	1	119632-12211	PIPE, AIR INTAKE	1							
18	1	23000-060000	CLAMP, 60	2							
19	1	129132-12800	BAND, AIR CLEANER	1							
21	2	129132-12860	SEAT, RUBBER	1							
22	1	119632-12810	SUPPORT, AIR CLEANER	1							

Fig.6. EXHAUST MANIFOLD & SILENCER

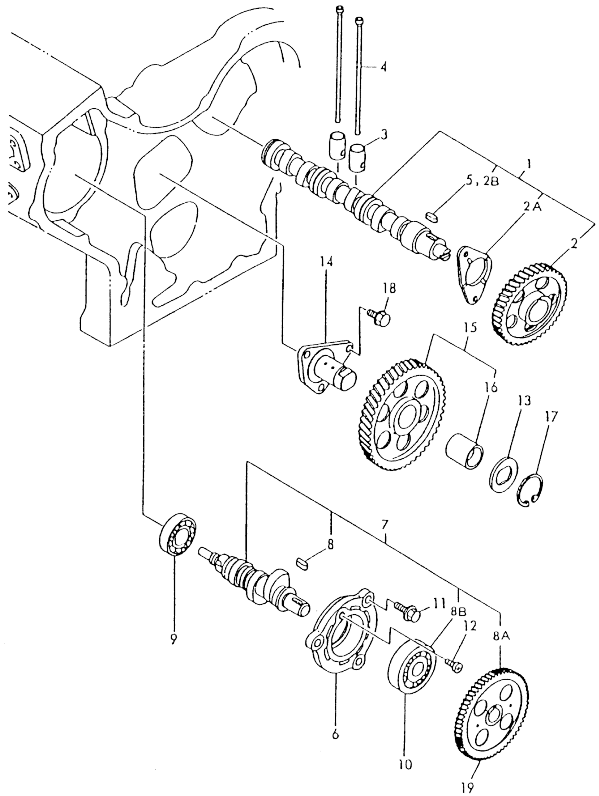
019631-13200
 019632-13100
 019632-93120



No.	Lev.	Parts No.	Description	Q'ty						I	R
				(A)	(B)	(C)	(D)	(E)	(F)		
1	1	124701-11910	GASKET, SILENCER	1							
1-1	1	124701-11911	GASKET, SILENCER	1							N
(A=E41836)											
2	1	119632-13511	SILENCER	1							
3	1	119631-13650	STAY, SILENCER	1							
4	1	194990-22050	NUT, M8	4							
5	1	26014-080202	BOLT, M8X 20	4							
6	1	119631-13101	MANIFOLD, EXHAUST	1							
7	1	119620-13110	GASKET	1							
8	1	194990-22050	NUT, M8	2							
9	1	194990-22050	NUT, M8	4							
10	1	26106-080402	BOLT, M8X 40 PLATED	4							
11	1	26216-080222	STUD, M8X 22	4							
12	1	26216-080552	STUD, M8X 55	2							
13	1	121120-13590	CLAMP	1							W
(A=1991.02)											
14	2	121120-13580	CLAMP	1							
15	2	26106-100652	BOLT, M10X 65 PLATED	1							
16	2	26706-100002	NUT, M10	1							
17	2	22137-100000	WASHER, 10	1							W
(A=1991.02)											
18	2	22217-100000	WASHER, SPRING 10	1							W
(A=1991.02)											

Fig.7. CAMSHAFT & DRIVING GEAR

019629-14100
019660-25101
119641-51310



(A)=3TNA72L-UMS
(B)=
(C)=

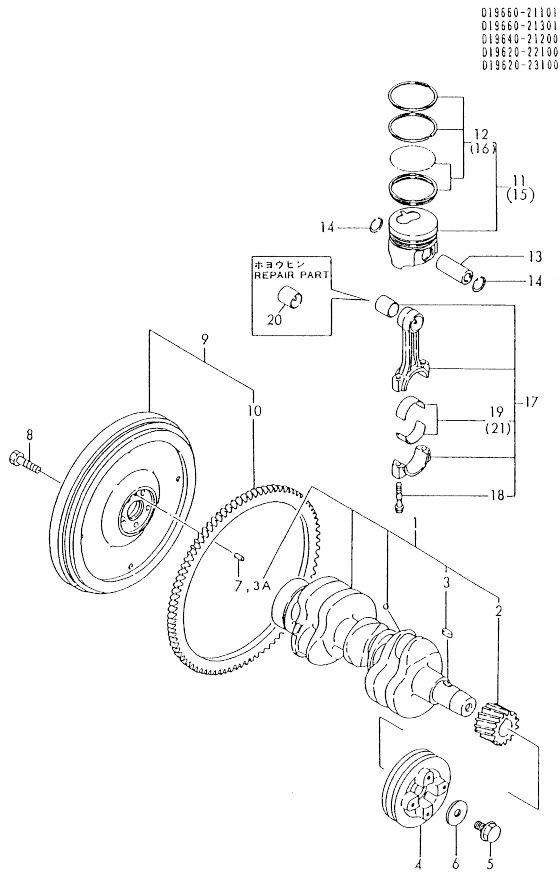
(D)=
(E)=
(F)=

No.	Lev.	Parts No.	Description	Qty						I	R
				(A)	(B)	(C)	(D)	(E)	(F)		
1	1	119629-14580	CAMSHAFT ASSY	1							W
		(A=EXXX)									
2	2	119620-14100	GEAR, CAMSHAFT	1							
2A	2	119620-02450	BEARING, THRUST	1							W
		(A=EXXX)									
2B	2	22512-040120	KEY, 4X 12	1							W
		(A=EXXX)									
3	1	119620-14200	TAPPET		6						
4	1	119620-14400	ROD, PUSH		6						
5	1	22512-040120	KEY, 4X 12	1							Z
		(A=EXXX)									
6	1	119660-01821	BEARING, FUEL CAM	1							
7	1	719660-14590	CAMSHAFT	1							W
		(A=EXXX)									
8	2	22512-040120	KEY, 4X 12		1						
8A	2	119660-25902	GEAR, PUMP	1							W
		(A=EXXX)									
8B	2	24102-063034	BEARING, BALL 6303U	1							W
		(A=EXXX)									
9	1	24101-062034	BEARING, BALL 6203	1							
10	1	24102-063034	BEARING, BALL 6303U	1							Z
		(A=EXXX)									
11	1	26106-060162	BOLT, M6X 16 PLATED	3							
12	1	26587-080102	SCREW, M8X10	1							
13	1	119660-25022	RETAINER	1							
14	1	119660-25052	SHAFT, IDLE	1							
15	1	119620-25102	GEAR ASSY, IDLE	1							
16	1	119620-25912	BUSH	1							1
17	1	22242-000200	RING, 20	1							
18	1	26106-060122	BOLT, M6X 12 PLATED	3							
19	1	119660-25902	GEAR, PUMP	1							Z
		(A=EXXX)									

Remarks
(1) REPAIR PART.

N:Old $\frac{100}{100}$ New, Q:Old $\frac{100}{100}$ New, R:Old $\frac{100}{100}$ New, S:Old $\frac{100}{100}$ New, W:Add, Z:Discontinued, F:Interchangeable by set, K:Qty Change
Copyright (C) YANMAR CO., LTD. All Rights Reserved.

Fig.8. CRANKSHAFT & PISTON

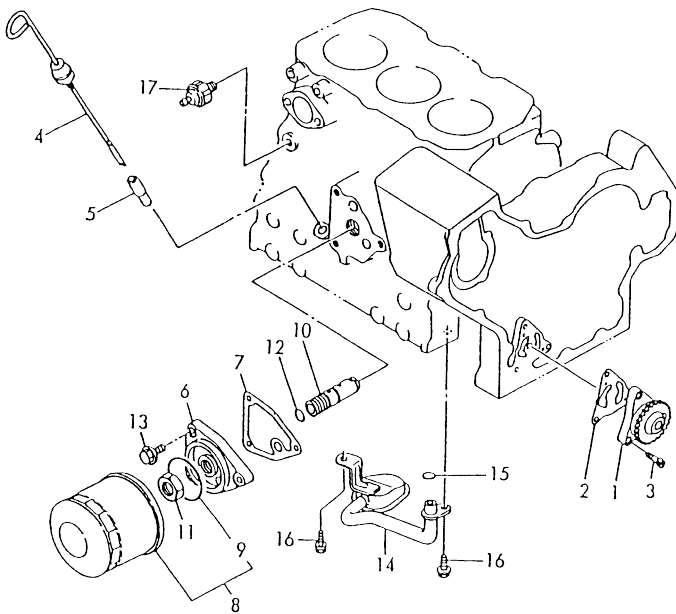


No.	Lev.	Parts No.	Description	Q'ty						I	R
				(A)	(B)	(C)	(D)	(E)	(F)		
1	1	719660-21701	CRANKSHAFT ASSY	1							
1-1	1	719660-21700	CRANKSHAFT ASSY	1							N
(A=EXXX)											
2	2	119660-21201	GEAR, CRANKSHAFT	1							
3	2	22512-040120	KEY, 4X 12	1							
3A	2	129100-01580	PIN, M8X16	1							W
(A=EXXX)											
4	1	119660-21651	V-PULLEY	1							
5	1	119621-21680	BOLT, FLANGE 12X1.25	1							
6	1	119620-21941	WASHER	1							
7	1	129100-01580	PIN, M8X16	1							Z
(A=EXXX)											
8	1	121111-21501	BOLT, FLYWHEEL	5							
9	1	119640-21590	FLYWHEEL ASSY	1							
10	2	119865-21600	GEAR, RING	1							
11	1	119620-22090	PISTON ASSY	3							
12	2	719620-22500	RING SET, PISTON	3							
13	1	119620-22300	PIN, PISTON	3							
14	1	22252-000210	RING, 21	6							
15	1	719620-22820	PISTON ASSY, 0.25 OS	3							1
16	2	719620-22540	RING SET, 0.25 OS	3							1
17	1	719620-23100	ROD ASSY, CONNECTING	3							
18	2	105225-23200	BOLT, CONNECTING ROD	6							
19	2	719620-23600	BEARING, CRANK PIN	3							
20	1	119620-23910	BEARING, PISTON PIN	3							2
21	1	719620-23610	BEARING ASSY, 0.25	3							3

Remarks
 (1) OVER-SIZE(O.S=0.25)PART.
 (2) REPAIR PART.
 (3) UNDER-SIZE(U.S=0.25)PART.

Fig.9. LUB.OIL SYSTEM

D19660-32100
 D19631-34100
 D19600-35100
 D19600-35200
 D19600-39100



(A)=3TNA72L-UMS
 (B)=
 (C)=

(D)=
 (E)=
 (F)=

No.	Lev.	Parts No.	Description	Q'ty						I	R
				(A)	(B)	(C)	(D)	(E)	(F)		
1	1	119660-32001	PUMP ASSY, OIL	1							
2	1	119660-32020	GASKET, PUMP	1							
3	1	26450-060202	BOLT, M6X 20	3							
4	1	119631-34800	DIPSTICK, OIL	1							
5	1	121520-34810	GUIDE, DIPSTICK	1							
6	1	119660-35102	BRACKET, FILTER	1							
7	1	119660-35112	GASKET	1							
7-1	1	119660-35113 (A=E37086)	GASKET	1							N
8	1	119660-35150	FILTER, LUB. OIL	1							
8-1	1	119305-35151 (A=EXXXXX)	FILTER ASSY, D68XL65	1							N 1
9	2	124450-35110 (A=EXXXXX)	O-RING	1							Z
10	1	119660-35300	VALVE ASSY, CONTROL	1							
11	1	129150-35350	NUT	1							
12	1	24311-000160	O-RING, 1AP16.0	1							
13	1	26106-080202	BOLT, M8X 20 PLATED	3							
14	1	119600-35081	PIPE ASSY, OIL INLET	1							
15	1	24311-000120	O-RING, 1AP12.0	1							
16	1	26106-060102	BOLT, M6X 10 PLATED	2							
17	1	124160-39450	SWITCH, 0.5KG	1							

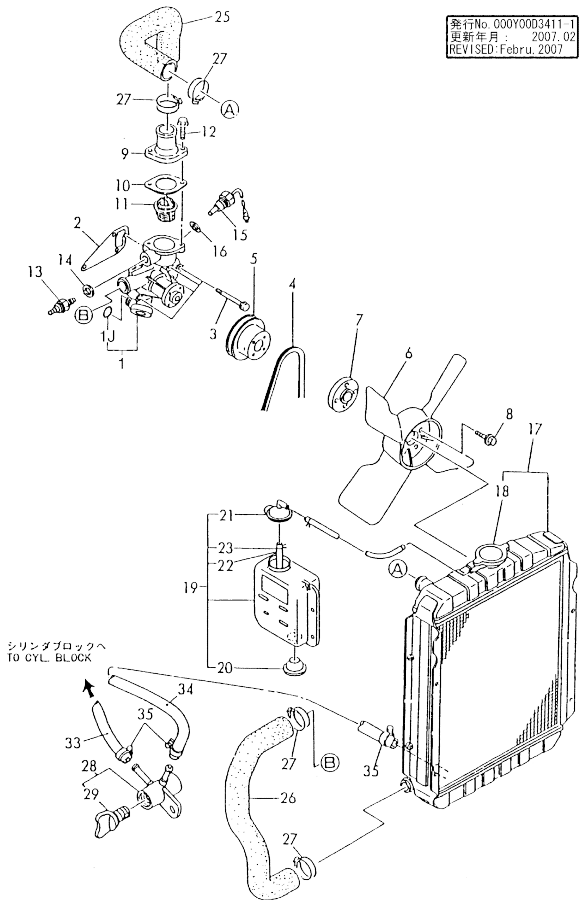
Remarks
 (1)O-ring is integrated type.
 (integrated to the LO.filter)

Fig.10. COOLING WATER SYSTEM

(A)=3TNA72L-UMS
(B)=
(C)=

(D)=
(E)=
(F)=

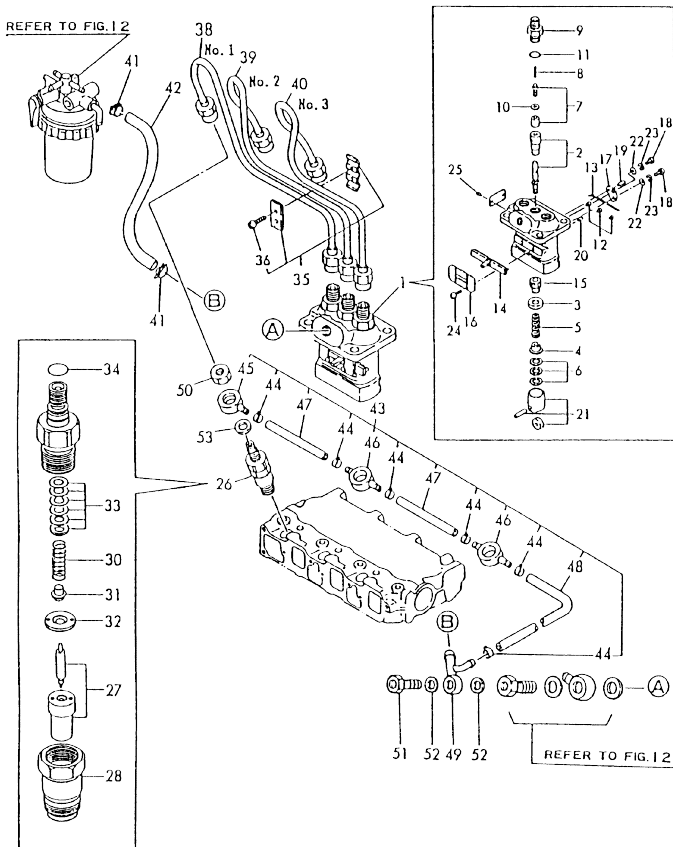
No.	Lev.	Parts No.	Description	Q'ty						I	R
				(A)	(B)	(C)	(D)	(E)	(F)		
1	1	119660-42003	PUMP ASSY, WATER	1							
1-1	1	119660-42004	PUMP ASSY, WATER	1							N
(A=E37086)											
1J	2	119620-42320	O-RING, WATER PUMP	1							
2	1	119620-42020	GASKET, WATER PUMP	1							
3	1	26106-080452	BOLT, M8X 45 PLATED	4							
4	1	119640-42290	V-BELT, FM36.5	1							
5	1	119642-42350	V-PULLEY, D=97	1							
6	1	121450-44740	FAN, COOLING	1							
7	1	124574-44761	SPACER, FAN	1							
8	1	26014-060252	BOLT, M6X 25	4							
9	1	129350-49530	COVER, THERMOSTAT	1							
10	1	129350-49540	GASKET	1							
10-1	1	129350-49541	GASKET	1							N
(A=E37086)											
11	1	129350-49800	THERMOSTAT, 71	1							
12	1	26106-080202	BOLT, M8X 20 PLATED	2							
13	1	121250-44901	SWITCH, 110	1							
14	1	124465-44950	GASKET, 16	1							
15	1	119650-44900	SWITCH	1							
16	1	129150-49360	GASKET	1							
17	1	119600-44500	RADIATOR	1							
18	2	124450-44590	CAP, RADIATOR	1							
19	1	121468-44511	TANK ASSY, SUB	1							
20	2	121468-44540	PLUG, SUB-TANK	1							
21	2	121450-44531	CAP	1							
22	2	23065-070130	PIPE, 7X 130	1							
23	2	124450-44560	RETAINER	1							
25	1	119688-49010	PIPE, WATER	1							
26	1	119632-49020	PIPE, WATER	1							
27	1	23010-038000	CLAMP, 38	4							
28	1	129150-49100	COCK ASSY, 3-WAY	1							
29	2	129150-49080	COCK, DRAIN	1							
33	1	121024-59090	PIPE, FUEL D12X450	1							
34	1	106800-59560	PIPE, FUEL	1							
35	1	124766-59050	CLIP, HOSE 12	4							



N:Old $\frac{100}{100}$ New, Q:Old $\frac{100}{100}$ New, R:Old $\frac{100}{100}$ New, S:Old $\frac{100}{100}$ New, W:Add, Z:Discontinued, F:Interchangeable by set, K:Qty Change
Copyright (C) YANMAR CO., LTD. All Rights Reserved.

Fig.11. FUEL INJECTION PUMP

719641-51310
 019620-53100
 019620-59100
 019632-59300



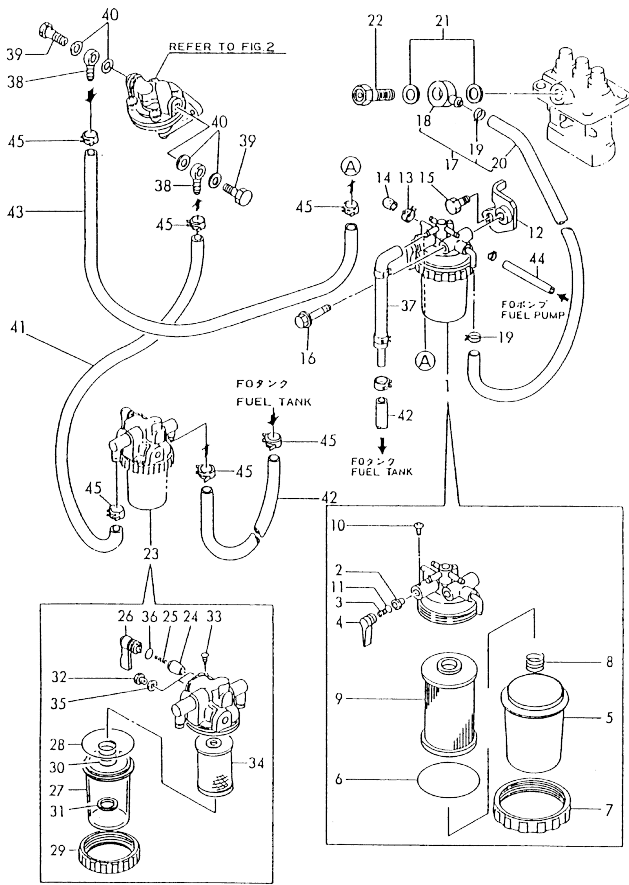
(A)=3TNA72L-UMS
 (B)=
 (C)=

(D)=
 (E)=
 (F)=

No.	Lev.	Parts No.	Description	Q'ty						I	R
				(A)	(B)	(C)	(D)	(E)	(F)		
1	1	719621-51100	PUMP ASSY, INJECTION	1							
2	2	119620-51101	PLUNGER ASSY	3							
3	2	119620-51170	RETAINER, SPRING A	3							
4	2	119620-51180	RETAINER, SPRING B	3							
5	2	119620-51190	SPRING, PLUNGER	3							
6	2	119620-51250	SHIM SET	3							
7	2	119620-51300	VALVE ASSY, DELIVERY	3							
8	2	105546-51330	SPRING, DELIVERY	3							
9	2	119620-51340	HOLDER, DELIVERY	3							
10	2	119620-51350	GASKET	3							
11	2	119620-51370	O-RING	3							
12	2	119620-51450	PIECE	3							
13	2	119620-51461	PIN	1							
14	2	119660-51500	RACK, CONTROL	1							
15	2	119620-51510	PINION	3							
16	2	119660-51530	RETAINER, RACK	1							
17	2	119620-51650	PLATE	2							
18	2	119620-51660	SCREW	2							
20	2	119620-51680	PIN	1							
21	2	119620-51700	TAPPET ASSY	3							
22	2	22137-040000	WASHER, 4	2							
23	2	22217-040000	WASHER, SPRING 4	2							
24	2	26022-040082	SCREW, M4X 8	4							
25	2	26587-040102	SCREW, M4X10	2							
26	1	719620-53100	VALVE ASSY, INJECTION	3							
27	2	119620-53000	VALVE ASSY, INJECTION	3							
28	2	119620-53080	NUT, NOZZLE	3							
30	2	119620-53120	SPRING, NOZZLE	3							
31	2	114250-53130	SEAT, SPRING	3							
32	2	119620-53140	SPACER, VALVE STOP	3							
33	2	114250-53400	SHIM SET	3							
34	2	129155-61830	O-RING, S10	3							
35	1	129150-59120	RETAINER, PIPE	1							
36	2	129150-59130	BOLT, M4X12	2							
38	1	119620-59811	PIPE ASSY, INJECTION	1							
39	1	119620-59821	PIPE ASSY, INJECTION	1							
40	1	119620-59831	PIPE ASSY, INJECTION	1							
41	1	124766-59050	CLIP, HOSE 12	2							
42	1	121250-59080	PIPE, FUEL D12X180	1							
43	1	119642-59540	PIPE ASSY, RETURN	1							
44	2	124066-59100	CLIP, HOSE 8	6							
45	2	119260-59520	JOINT	1							
46	2	119260-59530	JOINT	2							
47	2	105025-59550	PIPE, FUEL RETURN	2							
48	2	119642-59550	PIPE, FUEL RETURN	1							
49	2	119642-59570	JOINT, OVER FLOW	1							
50	1	119620-59700	NUT, NOZZLE	3							
51	1	124550-59820	BOLT, PIPE JOINT M8	1							
52	1	23414-080012	GASKET, 8X1.0	2							
53	1	23414-140000	GASKET, 14X1.0	3							

N:Old $\frac{100}{100}$ New. Q:Old $\frac{100}{100}$ New. R:Old $\frac{100}{100}$ New. S:Old $\frac{100}{100}$ New. W:Add. Z:Discontinued. F:Interchangeable by set. K:Q'ty Change
 Copyright (C) YANMAR CO., LTD. All Rights Reserved.

Fig.12. FUEL LINE



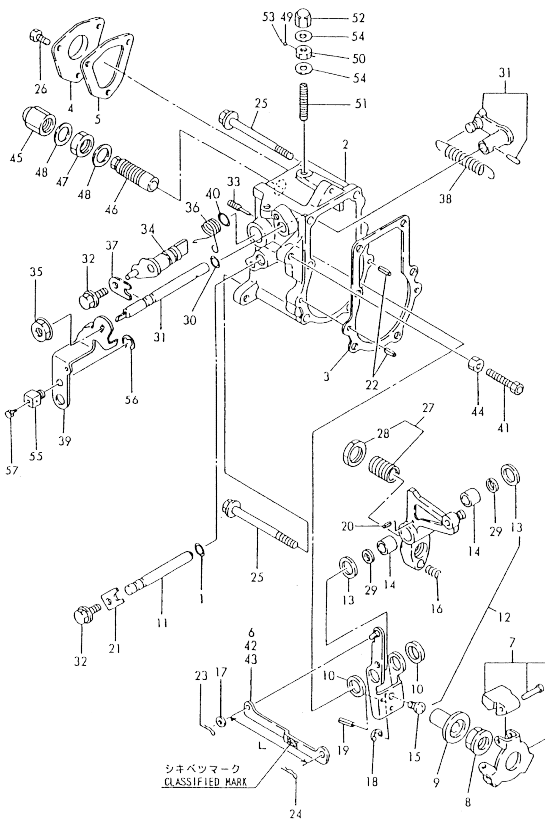
No.	Lev.	Parts No.	Description	Q'ty						I	R
				(A)	(B)	(C)	(D)	(E)	(F)		
1	1	119632-55620	FILTER ASSY, FUEL	1							
2	2	104200-55321	VALVE, TAPER	1							
3	2	104200-55330	SPRING, VALVE	1							
4	2	119810-55340	LEVER	1							
5	2	121254-55510	COVER	1							
6	2	102103-55520	O-RING	1							
7	2	110250-55610	RING, RETAINING	1							
8	2	121250-55620	SPRING	1							
9	2	124550-55700	FILTER, FUEL L=90	1							
10	2	104200-55750	SCREW, M4	1							
11	2	24311-240100	O-RING, 1AP10A	1							
12	1	119632-55630	BRACKET, STRAINER	1							
13	1	124066-59100	CLIP, HOSE 8	1							
14	1	129150-59580	CAP	1							
15	1	26106-080142	BOLT, M8X 14 PLATED	1							
16	1	26014-080702	BOLT, M8X 70	1							
17	1	124767-59031	PIPE ASSY, FUEL	1							
18	2	101304-59020	JOINT, PIPE 12	1							
19	2	124766-59050	CLIP, HOSE 12	2							
20	2	124767-59080	PIPE, FUEL	1							
21	1	104200-59170	GASKET, 12	2							
22	1	119650-59200	BOLT, PIPE JOINT M12	1							
23	1	129335-55700	SEPARATOR ASSY, WATER	1							
24	2	104200-55321	VALVE, TAPER	1							
25	2	104200-55330	SPRING, VALVE	1							
26	2	104200-55341	HANDLE	1							
27	2	124064-55510	COVER	1							
28	2	102103-55520	O-RING	1							
29	2	110250-55610	RING, RETAINING	1							
30	2	121257-55720	SPRING	1							
31	2	121257-55731	FLOAT	1							
32	2	101720-55750	PLUG, 6	2							
33	2	104200-55750	SCREW, M4	1							
34	2	171081-55910	SCREEN	1							
35	2	23418-060000	GASKET, 6X1.0	2							
36	2	24311-240100	O-RING, 1AP10A	1							
37	1	119840-59601	BEND	1							
38	1	104264-59030	JOINT, PIPE 8	2							
39	1	105582-59150	BOLT, PIPE JOINT	2							
40	1	23414-080012	GASKET, 8X1.0	4							
41	1	121522-59100	PIPE, FUEL D12X500	1							
42	1	121454-59090	PIPE, FUEL D12X700	2							
43	1	121024-59090	PIPE, FUEL D12X450	1							
44	1	121250-59080	PIPE, FUEL D12X180	1							
45	1	124766-59050	CLIP, HOSE 12	8							

N:Old $\frac{New}{Old}$ New, Q:Old $\frac{New}{Old}$ New, R:Old $\frac{New}{Old}$ New, S:Old $\frac{New}{Old}$ New, W:Add, Z:Discontinued, F:Interchangeable by set, K:Q'ty Change
 Copyright (C) YANMAR CO., LTD. All Rights Reserved.

(A)=3TNA72L-UMS
 (B)=
 (C)=

(D)=
 (E)=
 (F)=

119641-51310
 025428-65400



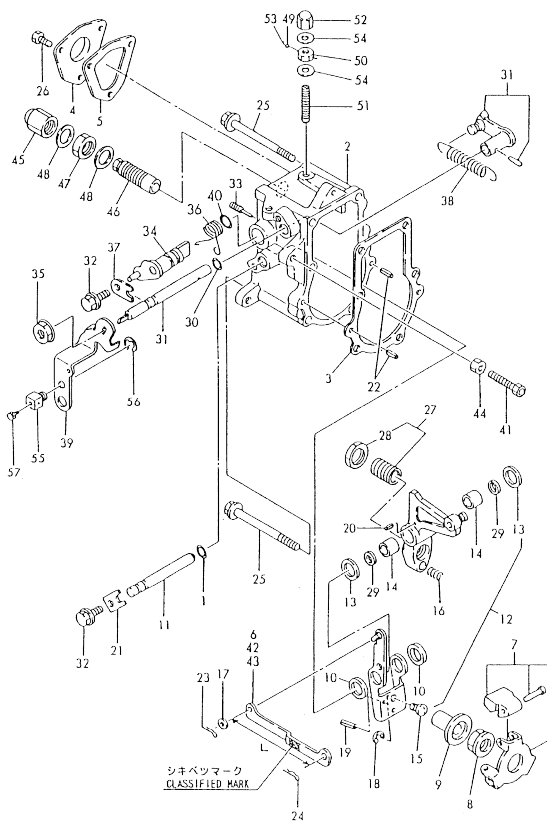
No.	Lev.	Parts No.	Description	(A)	(B)	(C)	(D)	(E)	(F)	I	R
1	1	129155-51280	O-RING, S6	1							
2	1	119660-61013	CASE, GOVERNOR	1							
3	1	119660-61051	GASKET	1							
3-1	1	119660-61052	GASKET	1							N
		(A=E41836)									
4	1	119660-61060	COVER, GOVERNOR CASE	1							
5	1	119660-61070	GASKET	1							
5-1	1	119660-61071	GASKET	1							N
		(A=E37086)									
6	1	119660-61121	LINK, NO MARK	1							1
7	1	119600-61200	WEIGHT ASSY, GOVERNOR	1							
8	1	119660-61300	NUT	1							
9	1	119660-61341	SLEEVE	1							
10	1	129155-61480	SPACER ASSY	2							
11	1	119660-61491	SHAFT	1							
12	1	119600-61500	LEVER ASSY, GOVERNOR	1							
13	2	174307-51700	SHIM SET	2							
14	2	129155-61530	BUSH	2							
15	2	119600-61540	SHIFTER	1							
16	2	119600-61650	SPRING, STARTING	1							
17	2	22117-040000	WASHER, 4	1							
17-1	2	22117-040000	WASHER, 4	2							K
		(A=EXXXX)									
18	2	22272-000040	RING, E- 4	1							
19	2	22351-020004	PIN, SPRING 2.0X 4	1							
20	2	22351-030014	PIN, SPRING 3.0X14	1							
21	1	119660-61901	RETAINER, SHAFT	1							
22	1	22351-040010	PIN, SPRING 4.0X10	2							
23	1	22360-040000	PIN, SNAP 4	1							
24	1	22360-060000	PIN, SNAP 6	1							
25	1	26106-060702	BOLT, M6X 70 PLATED	6							
26	1	26116-050102	BOLT, M5X 10 PLATED	3							
27	1	119600-66700	ANGLEICH ASSY	1							
28	2	129155-61590	NUT, LOCK	1							
29	1	119660-61460	SHIM SET	1							
30	1	24341-000070	O-RING, 1AS7.0	1							
31	1	119621-66091	SHAFT ASSY	1							
32	1	26106-060102	BOLT, M6X 10 PLATED	2							
33	1	124250-03640	SCREW	1							
34	1	119230-66520	HANDLE, STOP	1							
35	1	194990-22050	NUT, M8	1							
36	1	119655-66680	SPRING, RETURN	1							
37	1	119600-61900	RETAINER, SHAFT	1							
38	1	119600-66020	SPRING, REGULATOR	1							
39	1	119640-66051	HANDLE, REGULATOR	1							
40	1	24311-240100	O-RING, 1AP10A	1							
41	1	26116-060304	BOLT, M6X 30 PLATED	1							
42	1	119660-61140	LINK, MARK :2	1							1
43	1	119660-61150	LINK, MARK :3	1							1
44	1	26756-060002	NUT, LOCK M6	1							
45	1	129100-61930	NUT, CAP	1							

Remarks
 (1) SELECTIVE PARTS. CERTAIN THE CLASSIFICATION MARK, THEN PLACE YOUR ORDER. (ILLUSTRATION)

N:Old $\frac{100}{100}$ New, Q:Old $\frac{100}{100}$ New, R:Old $\frac{100}{100}$ New, S:Old $\frac{100}{100}$ New, W:Add, Z:Discontinued, F:Interchangeable by set, K:Qty Change
 ++ CONTINUE ++
 Copyright (C) YANMAR CO., LTD. All Rights Reserved.

Fig.13. GOVERNOR

119641-51310
025428-66400



(A)=3TNA72L-UMS
(B)=
(C)=

(D)=
(E)=
(F)=

No.	Lev.	Parts No.	Description	Q'ty						I	R
				(A)	(B)	(C)	(D)	(E)	(F)		
46	1	119600-66530	LIMITER ASSY, FUEL	1							
47	1	124772-66750	NUT, LOCK M12	1							
48	1	43400-500450	SEAL WASHER 12	2							
49	1	135210-61090	LEAD	1							
50	1	124550-66370	NUT, M6	1							
51	1	121575-66830	SCREW	1							
52	1	119600-66840	NUT, CAP	1							
53	1	22451-060000	WIRE, 0.6	1							
54	1	43400-500400	SEAL WASHER 6	2							
55	1	124066-03770	RETAINER	1							W
		(A=EXXX)									
56	1	22272-000050	RING, E- 5	1							W
		(A=EXXX)									
57	1	26116-040088	BOLT, M4X 8 PLATED	1							W
		(A=EXXX)									

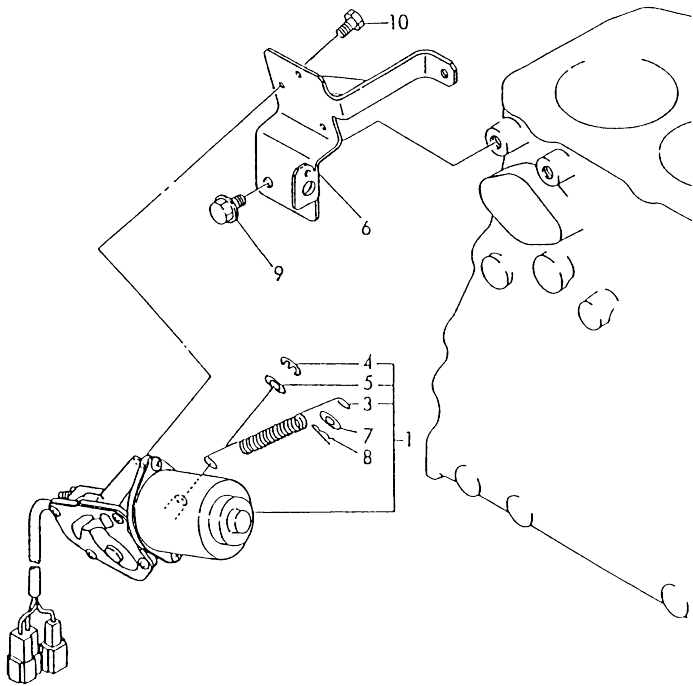
Remarks

(1) SELECTIVE PARTS. CERTAIN THE CLASSIFICATION MARK, THEN PLACE YOUR ORDER. (ILLUSTRATION)

OCD10-M34101 ENGINE 3TNA72L-UMS
 Fig.14. ENGINE STOP DEVICE

OCD10-M34101 Fig.14

019640-66600



(A)=3TNA72L-UMS
 (B)=
 (C)=

(D)=
 (E)=
 (F)=

No.	Lev.	Parts No.	Description	Q'ty						I	R
				(A)	(B)	(C)	(D)	(E)	(F)		
1	1	119230-66791	MOTOR ASSY, STOP	1							
3	2	129555-66820	SPRING, STOP MOTOR	1							
4	2	129566-66880	RING, SNAP	1							
5	2	129566-66890	WASHER	1							
6	1	119640-66810	BRACKET, STOP MOTOR	1							
6-1	1	119640-66811	BRACKET, STOP MOTOR	1							R
(A=E45344)											
7	1	22117-080000	WASHER, 8	1							
8	1	22360-080000	SNAP PIN 8	1							
9	1	26106-080162	BOLT, M8X 16 PLATED	3							
10	1	26116-050122	BOLT, M5X 12 PLATED	3							
10-1	1	26116-050102	BOLT, M5X 10 PLATED	3							N
(A=E37086)											

OCD10-M34101 ENGINE 3TNA72L-UMS
 Fig.15. STARTING MOTOR

019640-71100

OCD10-M34101 Fig.15

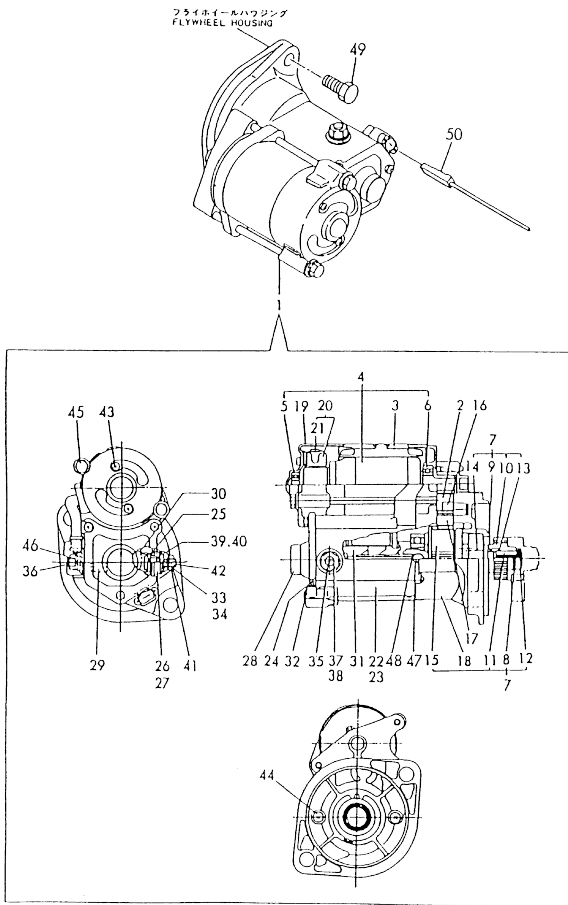
(A)=3TNA72L-UMS
 (B)=
 (C)=

(D)=
 (E)=
 (F)=

No.	Lev.	Parts No.	Description	Qty						I	R
				(A)	(B)	(C)	(D)	(E)	(F)		
1	1	119620-77011	STARTER	1							
2	2	X0280630011	RETAINER	1							
3	2	X0281003751	YOKE ASSY	1							
4	2	X0282001531	ARMATURE ASSY	1							
5	3	X9491001360	BEARING	1							
6	3	X9491001860	BALL BEARING	1							
7	2	X0283005050	CLUTCH, STARTER	1							
8	3	X0280210230	NUT	1							
9	3	X0283270140	RETAINER	1							
10	3	X0283715030	PINION, STARTER	1							
11	3	X0283810040	SHAFT	1							
12	3	X9490721080	RING	1							
13	3	X9491703371	SPRING, COIL	1							
14	3	X9491704260	SPRING	1							
15	3	121120-77930	CASE ASSY, STARTER	1							
16	2	X0283060061	ROLLER	5							
17	2	X0283711420	PINION	1							
18	2	X0284004910	HOUSING, STARTER	1							
19	2	X0285040631	FRAME ASSY	1							
20	2	X0285100460	HOLDER ASSY, BRUSH	1							
21	3	X9491730461	SPRING	4							
22	2	X0534006460	SWITCH, MAGNETIC	1							
23	3	X0534040320	GASKET	1							
24	3	X0534490120	BUSH	1							
25	3	X0534490120	BUSH	1							
26	3	X0534490230	BUSH	1							
27	3	X0534490230	BUSH	1							
28	3	X0535050620	COVER	1							
29	3	X0535130241	PLATE (B)	1							
30	3	X0535130320	PLATE (A)	1							
31	3	X0536600401	PLUNGER	1							
32	3	X9151005141	BOLT W/WASHER	3							
33	3	X9490170900	WASHER	1							
34	3	X9490170900	WASHER	1							
35	3	X9490441303	BOLT	1							
36	3	X9490441312	BOLT	1							
37	3	X9490502820	NUT	1							
38	3	X9490502820	NUT	1							
39	3	X9491402100	O-RING	1							
40	3	X9491402100	O-RING	1							
41	2	X9019008651	NUT	1							
42	2	X9025808001	WASHER	1							
43	2	X9490071810	SCREW W/WASHER	2							
44	2	X9490071970	SCREW W/WASHER	2							
45	2	X9490423330	BOLT W/WASHER	2							
46	2	X9490561370	NUT	1							
47	2	X9491200240	BALL	1							
48	2	X9491703380	SPRING	1							
49	1	26116-120252	BOLT, M12X 25 PLATED	2							
50	1	119643-77900	CONNECTOR, STARTER	1							Z

(A=EXXX)

N:Old $\frac{100}{100}$ New. Q:Old $\frac{100}{100}$ New. R:Old $\frac{100}{100}$ New. S:Old $\frac{100}{100}$ New. W:Add. Z:Discontinued. F:Interchangeable by set. K:Qty Change
 Copyright (C) YANMAR CO., LTD. All Rights Reserved.



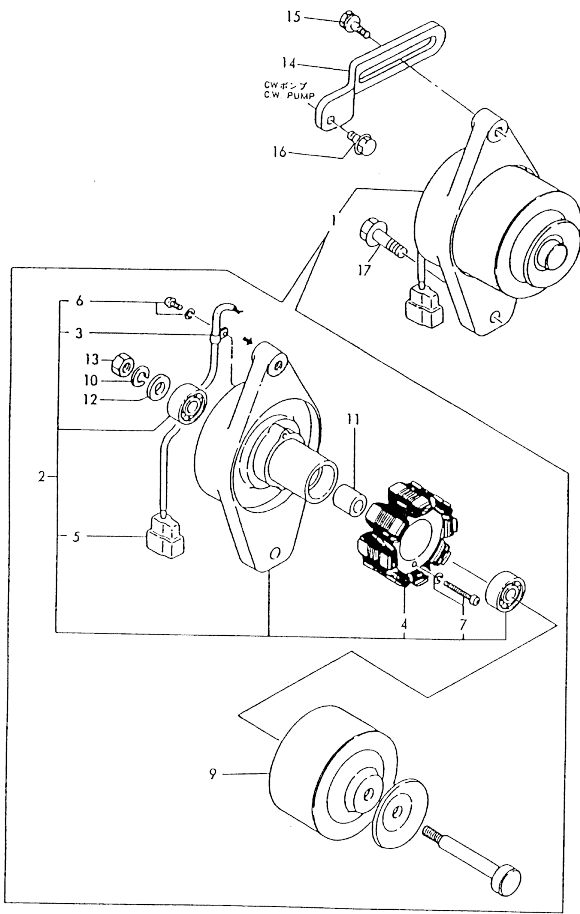
OCD10-M34101 ENGINE 3TNA72L-UMS
 Fig.16. GENERATOR

OCD10-M34101 Fig.16

(A)=3TNA72L-UMS
 (B)=
 (C)=

(D)=
 (E)=
 (F)=

D19808-77210
 D19660-77310

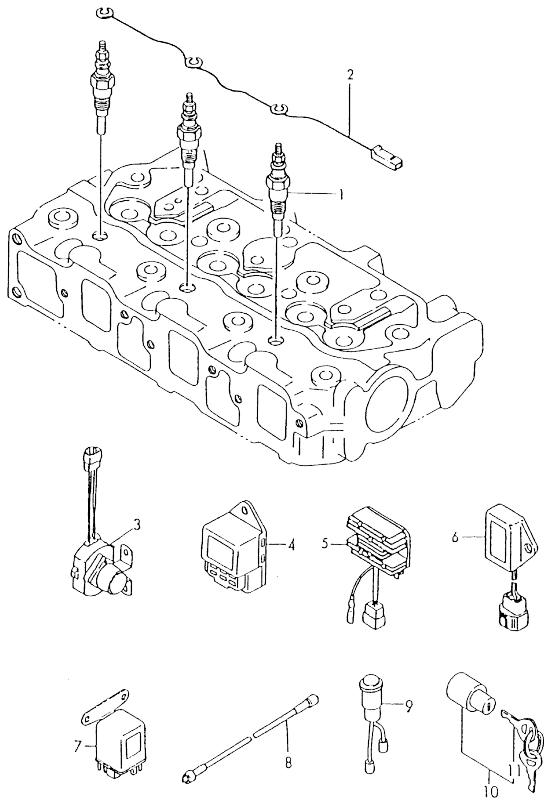


No.	Lev.	Parts No.	Description	Q'ty						I	R
				(A)	(B)	(C)	(D)	(E)	(F)		
1	1	129150-77202	GENERATOR	1							
2	2	129150-77210	PLATE ASSY	1							
3	3	XM069000000	CLAMP	1							
4	3	XM081780000	STATOR	1							
5	3	XM178780000	COUPLER	1							
6	3	XYSPS400800	SCREW	1							
7	3	XYSPS402400	SCREW	2							
9	2	129150-77230	FLYWHEEL ASSY	1							
10	2	XM219230000	WASHER, SPRING	1							
11	2	XM329830000	COLLAR	1							
12	2	XM860250000	WASHER, 10	1							
13	2	XM863720000	NUT	1							
14	1	119660-77330	ADJUSTER	1							
15	1	26014-080252	BOLT, M8X 25	1							
16	1	26106-080162	BOLT, M8X 16 PLATED	1							
17	1	26106-100302	BOLT, M10X 30 PLATED	1							

N:Old $\frac{100}{100}$ New, Q:Old $\frac{100}{100}$ New, R:Old $\frac{100}{100}$ New, S:Old $\frac{100}{100}$ New, W:Add, Z:Discontinued, F:Interchangeable by set, K:Q'ty Change
 Copyright (C) YANMAR CO., LTD. All Rights Reserved.

OCD10-M34101 ENGINE 3TNA72L-UMS
 Fig.17. ELECTRIC PART

029155-77310
 019620-77100
 019632-93120



OCD10-M34101 Fig.17

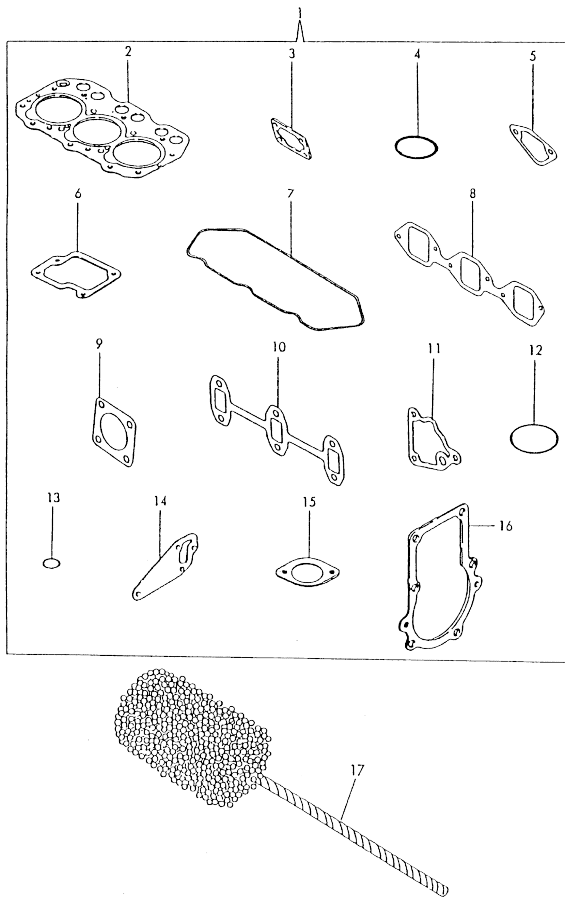
(A)=3TNA72L-UMS
 (B)=
 (C)=

(D)=
 (E)=
 (F)=

No.	Lev.	Parts No.	Description	Q'ty						I	R
				(A)	(B)	(C)	(D)	(E)	(F)		
1	1	129155-77801	PLUG, GLOW	3							
2	1	119620-77820	CONNECTOR, GLOW PLUG	1							
3	1	119247-77100	RELAY, SAFETY	2							
4	1	119650-77900	CONTROLLER	1							
5	1	119640-77711	LIMITER, CURRENT	1							
6	1	121522-77721	INDICATOR	1							
7	1	119650-77910	RELAY ASSY, GLOW	1							
8	1	124737-91420	CABLE, TACHOMETER	1							
9	1	124770-91040	LAMP, PILOT 12V 3.4W	1							
10	1	194940-52110	SWITCH, STARTING	1							
11	2	198360-52160	KEY ASSY	1							

N:Old $\frac{100}{100}$ New. Q:Old $\frac{100}{100}$ New. R:Old $\frac{100}{100}$ New. S:Old $\frac{100}{100}$ New. W:Add. Z:Discontinued. F:Interchangeable by set. K:Q'ty Change
 Copyright (C) YANMAR CO., LTD. All Rights Reserved.

Fig.18. GASKET SET(OPTIONAL)



(A)=3TNA72L-UMS
(B)=
(C)=

(D)=
(E)=
(F)=

No.	Lev.	Parts No.	Description	Q'ty						I	R	
				(A)	(B)	(C)	(D)	(E)	(F)			
1	1	719632-92600	GASKET SET	1							1	
1-1	1	719632-92601	GASKET SET	1							N	1
(A=E41836)												
2	2	119610-01340	GASKET, HEAD	1								
3	2	119660-01561	GASKET	1								
3-1	2	119660-01562	GASKET	1							N	
(A=E41836)												
4	2	24311-000320	O-RING, 1AP32.0	1								
5	2	121520-01850	GASKET	1								
5-1	2	121520-01851	GASKET	1							N	
(A=E41836)												
6	2	119620-03030	GASKET	1								
6-1	2	119620-03031	GASKET	1							N	
(A=E41836)												
7	2	119620-11310	GASKET, BONNET	1								
8	2	119620-12110	GASKET, MANIFOLD	1								
8-1	2	119620-12111	GASKET, MANIFOLD	1							N	
(A=E41836)												
9	2	124701-11910	GASKET, SILENCER	1								
9-1	2	124701-11911	GASKET, SILENCER	1							N	
(A=E41836)												
10	2	119620-13110	GASKET	1								
11	2	119660-35112	GASKET	1								
11-1	2	119660-35113	GASKET	1							N	
(A=E37086)												
12	2	124450-35110	O-RING	1								
13	2	24311-000160	O-RING, 1AP16.0	1								
14	2	119620-42020	GASKET, WATER PUMP	1								
15	2	129350-49540	GASKET	1								
15-1	2	129350-49541	GASKET	1							N	
(A=E37086)												
16	2	119660-61051	GASKET	1								
16-1	2	119660-61052	GASKET	1							N	
(A=E41836)												
17	1	129400-92410	FLEX HORN	1								1

Remarks
(1)OPTIONAL PART.

N:Old $\frac{100}{100}$ New, Q:Old $\frac{100}{100}$ New, R:Old $\frac{100}{100}$ New, S:Old $\frac{100}{100}$ New, W:Add, Z:Discontinued, F:Interchangeable by set, K:Q'ty Change
Copyright (C) YANMAR CO., LTD. All Rights Reserved.

Parts No. Index

Parts No.	Fig. No.	Ref. No.	Parts No.	Fig. No.	Ref. No.	Parts No.	Fig. No.	Ref. No.	Parts No.	Fig. No.	Ref. No.
101158-11190	4	10	119610-01340	18	2	119620-51170	11	3	119642-59540	11	43
101304-59020	12	18	119610-01490	2	1	119620-51180	11	4	119642-59550	11	48
101720-55750	12	32	119610-01590	2	5	119620-51190	11	5	119642-59570	11	49
102103-55520	12	6	119620-01200	1	13	119620-51250	11	6	119643-77900	15	50
		28	119620-01620	3	7	119620-51300	11	7	119645-12100	5	14
104200-55321	12	2	119620-01750	3	14	119620-51340	11	9	119650-44900	10	15
		24	119620-01800	2	6	119620-51350	11	10	119650-59200	12	22
104200-55330	12	3	119620-01950	2	8	119620-51370	11	11	119650-77900	17	4
		25	119620-02020	1	7	119620-51450	11	12	119650-77910	17	7
104200-55341	12	26	119620-02410	1	10	119620-51461	11	13	119655-66680	13	36
104200-55750	12	10	119620-02450	1	11	119620-51510	11	15	119660-01510	2	2
		33		7	2 A	119620-51650	11	17	119660-01551	2	16
104200-59170	12	21	119620-03020	4	41	119620-51660	11	18	119660-01561	2	17
104211-11370	4	13	119620-03030	4	42	119620-51680	11	20		18	3
104264-59030	12	38		18	6	119620-51700	11	21	119660-01562	2	17 -1
105010-11230	4	24	119620-03031	4	42 -1	119620-53000	11	27		18	3 -1
		27		18	6 -1	119620-53080	11	28	119660-01570	2	18
105025-59550	11	47	119620-11100	4	6	119620-53120	11	30	119660-01640	3	8
105225-23200	8	18	119620-11110	4	7	119620-53140	11	32	119660-01821	7	6
105546-51330	11	8	119620-11120	4	8	119620-59700	11	50	119660-01911	2	7
105582-59150	12	39	119620-11180	4	9	119620-59811	11	38	119660-21201	8	2
106800-59560	10	34	119620-11200	4	19	119620-59821	11	39	119660-21651	8	4
110250-55610	12	7	119620-11240	4	20	119620-59831	11	40	119660-25022	7	13
		29	119620-11260	4	29	119620-77011	15	1	119660-25052	7	14
114250-53130	11	31	119620-11280	4	30	119620-77820	17	2	119660-25902	7	8 A
114250-53400	11	33	119620-11310	4	39	119621-21680	8	5		19	
119230-66520	13	34		18	7	119621-66091	13	31	119660-32001	9	1
119230-66791	14	1	119620-11330	4	36 -1	119629-14580	7	1	119660-32020	9	2
119247-77100	17	3	119620-11350	4	33	119631-13101	6	6	119660-35102	9	6
119260-59520	11	45	119620-11390	4	40	119631-13650	6	3	119660-35112	9	7
119260-59530	11	46	119620-11801	4	15	119631-34800	9	4		18	11
119305-35151	9	8 -1	119620-12110	5	15	119632-07900	4	14	119660-35113	9	7 -1
119600-01050	1	2		18	8	119632-12211	5	17		18	11 -1
119600-01600	3	12	119620-12111	5	15 -1	119632-12510	5	1	119660-35150	9	8
119600-01722	3	4		18	8 -1	119632-12551	5	7	119660-35300	9	10
119600-11450	4	16	119620-13110	6	7	119632-12560	5	9	119660-42003	10	1
119600-11460	4	17		18	10	119632-12590	5	8	119660-42004	10	1 -1
119600-35081	9	14	119620-14100	7	2	119632-12810	5	22	119660-51500	11	14
119600-44500	10	17	119620-14200	7	3	119632-13511	6	2	119660-51530	11	16
119600-52021	2	23	119620-14400	7	4	119632-49020	10	26	119660-61013	13	2
119600-61200	13	7	119620-21941	8	6	119632-55620	12	1	119660-61051	13	3
119600-61500	13	12	119620-22090	8	11	119632-55630	12	12		18	16
119600-61540	13	15	119620-22300	8	13	119640-12580	5	10	119660-61052	13	3 -1
119600-61650	13	16	119620-23910	8	20	119640-21590	8	9		18	16 -1
119600-61900	13	37	119620-25102	7	15	119640-42290	10	4	119660-61060	13	4
119600-66020	13	38	119620-25912	7	16	119640-66051	13	39	119660-61070	13	5
119600-66530	13	46	119620-42020	10	2	119640-66810	14	6	119660-61071	13	5 -1
119600-66700	13	27		18	14	119640-66811	14	6 -1	119660-61121	13	6
119600-66840	13	52	119620-42320	10	1 J	119640-77711	17	5	119660-61140	13	42
119610-01340	1	14	119620-51101	11	2	119642-42350	10	5	119660-61150	13	43

Parts No. Index

Parts No.	Fig. No.	Ref. No.	Parts No.	Fig. No.	Ref. No.	Parts No.	Fig. No.	Ref. No.	Parts No.	Fig. No.	Ref. No.
119660-61300	13	8	124160-01751	2	19	129155-61830	11	34	23000-060000	5	11
119660-61341	13	9		4	67	129155-77801	17	1			18
119660-61460	13	29	124160-11340	4	12	129335-55700	12	23	23010-038000	10	27
119660-61491	13	11	124160-11360	4	45	129350-49530	10	9	23065-070130	10	22
119660-61901	13	21	124160-39450	9	17	129350-49540	10	10	23065-120500	4	46
119660-77330	16	14	124250-03640	13	33		18	15	23414-080012	11	52
119688-49010	10	25	124450-35110	9	9	129350-49541	10	10		12	40
119810-55340	12	4		18	12		18	15	23414-140000	11	53
119840-59601	12	37	124450-44560	10	23	129350-49800	10	11	23418-060000	12	35
119865-21600	8	10	124450-44590	10	18	129400-92410	18	17	23871-010000	1	3
121024-12660	5	2	124465-44950	10	14	129555-66820	14	3	24101-062034	7	9
121024-59090	10	33	124550-55700	12	9	129566-66880	14	4	24102-063034	7	8 B
	12	43	124550-59820	11	51	129566-66890	14	5			10
121111-21501	8	8	124550-66370	13	50	135210-61090	13	49	24311-000120	2	10
121120-01620	3	13	124574-44761	10	7	171081-55910	12	34		4	47
121120-13580	6	14	124701-11910	6	1	171301-01640	3	2		9	15
121120-13590	6	13		18	9	174307-51700	13	13	24311-000160	9	12
121120-77930	15	15	124701-11911	6	1 -1	194940-52110	17	10		18	13
121250-44901	10	13		18	9 -1	194990-22050	2	9	24311-000320	2	20
121250-55620	12	8	124737-91420	17	8		6	4		4	68
121250-59080	11	42	124766-59050	10	35			8		18	4
	12	44		11	41			9	24311-240100	12	11
121254-55510	12	5		12	19			13			36
121257-55720	12	30			45	198360-52160	17	11		13	40
121257-55731	12	31	124767-59031	12	17	22117-040000	13	17	24341-000070	13	30
121450-01560	2	3	124767-59080	12	20			17	24341-000240	2	27
121450-44531	10	21	124770-91040	17	9	22117-080000	14	7		3	3
121450-44740	10	6	124772-66750	13	47	22137-040000	11	22	26014-060202	2	24
121454-59090	12	42	124950-11340	4	11	22137-100000	6	17	26014-060252	10	8
121465-12510	5	4	129100-01580	3	11	22217-040000	11	23	26014-080202	5	12
121465-12700	5	3		8	3 A	22217-050000	4	43		6	5
121468-44511	10	19			7	22217-100000	6	18	26014-080252	16	15
121468-44540	10	20	129100-61930	13	45	22242-000120	4	31	26014-080702	12	16
121520-01850	2	22	129132-12800	5	19	22242-000200	7	17	26022-040082	11	24
	18	5	129132-12860	5	21	22252-000210	8	14	26106-060102	9	16
121520-01851	2	22 -1	129150-35350	9	11	22272-000040	13	18		13	32
	18	5 -1	129150-49080	10	29	22272-000050	13	56	26106-060122	1	12
121520-34810	9	5	129150-49100	10	28	22351-020004	13	19		3	5
121522-59100	12	41	129150-49360	10	16	22351-030014	13	20		4	18
121522-77721	17	6	129150-59120	11	35	22351-040010	2	4		7	18
121550-49111	1	15	129150-59130	11	36		13	22	26106-060162	2	11
121575-66830	13	51	129150-59580	12	14	22351-060012	4	2			28
121850-11860	4	3	129150-77202	16	1	22360-040000	13	23		7	11
124064-12680	5	5	129150-77210	16	2	22360-060000	13	24	26106-060202	5	16
124064-12690	5	6	129150-77230	16	9	22360-080000	14	8	26106-060222	3	10
124064-55510	12	27	129150-91400	2	25	22451-060000	13	53	26106-060302	2	12
124066-03770	13	55	129155-51280	13	1	22512-040120	7	2 B	26106-060452	3	6
124066-59100	11	44	129155-61480	13	10			5	26106-060602	2	13
	12	13	129155-61530	13	14			8			14
124085-02220	3	9	129155-61590	13	28			8	26106-060702	13	25

Parts No. Index

Parts No.	Fig. No.	Ref. No.
26106-060802	2	15
26106-080142	12	15
26106-080162	14	9
	16	16
26106-080202	9	13
	10	12
26106-080402	6	10
26106-080452	4	34
	10	3
26106-100302	16	17
26106-100652	6	15
26116-040088	13	57
26116-050102	13	26
	14	10 -1
26116-050122	14	10
26116-060304	13	41
26116-120252	15	49
26206-100252	3	15
26216-080222	6	11
26216-080552	6	12
26366-060002	2	21
26366-080002	4	35
	5	13
26450-060202	9	3
26557-050102	4	44
26587-040102	11	25
26587-080102	7	12
26706-100002	6	16
26756-060002	4	25
		28
	13	44
26979-050162	4	32
27221-050080	4	4
27231-450000	1	4
27241-120000	1	5
27241-300000	1	6
27241-400000	4	5
27310-070001	4	10 -1
43400-500400	13	54
43400-500450	13	48
719610-01560	1	1
719620-02800	1	8
719620-02870	1	16
719620-02930	1	9
719620-11520	4	36
719620-11650	4	23
719620-11660	4	26
719620-22500	8	12
719620-22540	8	16
719620-22820	8	15

Parts No.	Fig. No.	Ref. No.
719620-23100	8	17
719620-23600	8	19
719620-23610	8	21
719620-53100	11	26
719621-51100	11	1
719631-01540	3	1
719632-92600	18	1
719632-92601	18	1 -1
719660-11700	4	1
719660-14590	7	7
719660-21700	8	1 -1
719660-21701	8	1
X0280210230	15	8
X0280630011	15	2
X0281003751	15	3
X0282001531	15	4
X0283005050	15	7
X0283060061	15	16
X0283270140	15	9
X0283711420	15	17
X0283715030	15	10
X0283810040	15	11
X0284004910	15	18
X0285040631	15	19
X0285100460	15	20
X0534006460	15	22
X0534040320	15	23
X0534490120	15	24
		25
X0534490230	15	26
		27
X0535050620	15	28
X0535130241	15	29
X0535130320	15	30
X0536600401	15	31
X9019008651	15	41
X9025808001	15	42
X9151005141	15	32
X9490071810	15	43
X9490071970	15	44
X9490170900	15	33
		34
X9490423330	15	45
X9490441303	15	35
X9490441312	15	36
X9490502820	15	37
		38
X9490561370	15	46
X9490721080	15	12
X9491001360	15	5

Parts No.	Fig. No.	Ref. No.
X9491001860	15	6
X9491200240	15	47
X9491402100	15	39
		40
X9491703371	15	13
X9491703380	15	48
X9491704260	15	14
X9491730461	15	21
XM069000000	16	3
XM081780000	16	4
XM178780000	16	5
XM219230000	16	10
XM329830000	16	11
XM860250000	16	12
XM863720000	16	13
XYSPS400800	16	6
XYSPS402400	16	7

Parts No.	Fig. No.	Ref. No.
-----------	----------	----------