

OCR10-M41701EN

Contents

Fig. No.	Fig. Name
2T90LE-(G1.TB.TB)	
1.	CYLINDER BLOCK
2.	GEAR HOUSING
3.	MAIN BEARING HOUSING
4.	CYLINDER HEAD & BONNET
5.	SUC.MANIFOLD & AIR CLEANER
6.	EXH.MANIFOLD & SILENCER
7.	CAMSHAFT
8.	PISTON & CRANKSHAFT
9.	LUBRICATING OIL SYSTEM
10.	COOLING WATER SYSTEM
11.	FUEL INJECTION DEVICE
12.	FUEL OIL LINE
13.	GOVERNOR
14.	STARTING MOTOR(S12-23)(PREVIOUS)
15.	STARTING MOTOR(S12-52)(PREVIOUS)
16.	STARTING MOTOR(S12-77)
17.	GENERATOR(LR135-31)(PREVIOUS)
18.	GENERATOR(LR120-15)(PREVIOUS)
19.	GENERATOR(LR120-15C)
20.	THERMOSTART
21.	INSTRUMENT PANEL
22.	GASKET SET(OPTIONAL) & TOOL
23.	OIL GAUGE (OPTIONAL)
24.	OUTPUT SHAFT(OPTIONAL)

Fig. No.	Fig. Name
25.	HYDRAULIC OIL PUMP(OPTIONAL)
26.	LUB.OIL EVACUATION PUMP(OPTIONAL)
27.	WATER REPLENISH TANK(OPTIONAL)
28.	FAN(OPTIONAL)
29.	THERMOMETER SENDER(OPTIONAL)
30.	FUEL FEED PUMP(OPTIONAL)
31.	FUEL TANK(OPTIONAL)
32.	FUEL TANK BRACKET(OPTIONAL)
33.	CONVERSION KIT(OPTIONAL)
34.	ELECTRIC STARTING DEVICE(OPTIONAL)
35.	SPECIAL TOOL(OPTIONAL)
36.	GASKET SET(OPTIONAL)
3T90LE-G1.TA.TB	
37.	CYLINDER BLOCK
38.	GEAR HOUSING
39.	MAIN BEARING HOUSING
40.	CYLINDER HEAD & BONNET
41.	SUC.MANIFOLD & AIR CLEANER
42.	EXH.MANIFOLD & SILENCER
43.	CAMSHAFT
44.	PISTON & CRANKSHAFT
45.	LUBRICATING OIL SYSTEM
46.	COOLING WATER SYSTEM
47.	FUEL INJECTION DEVICE

Contents

Fig. No. Fig. Name

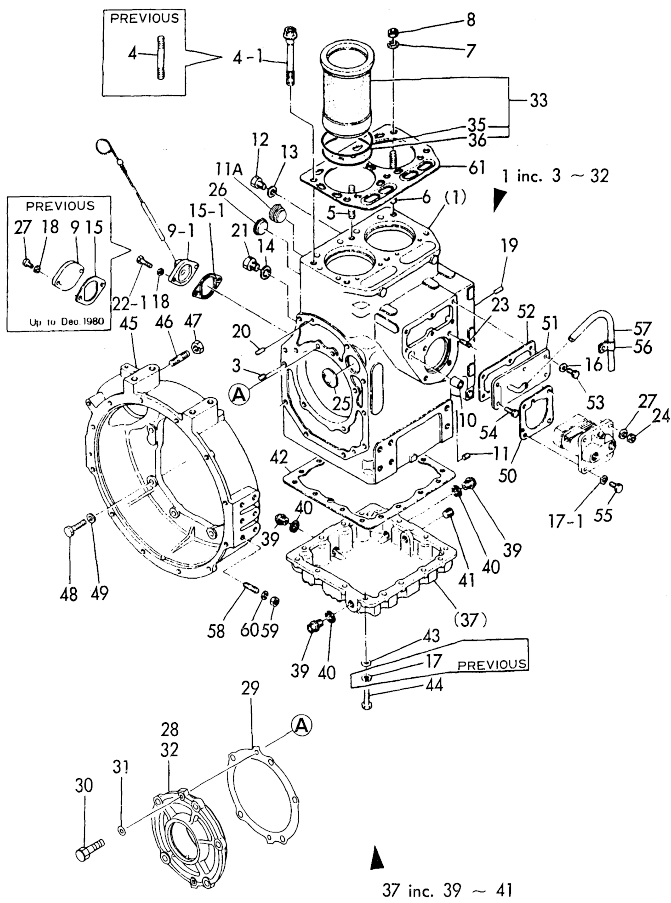
- 48. FUEL OIL LINE
- 49. GOVERNOR
- 50. STARTING MOTOR(S13-24)
- 51. GENERATOR(LR135-31)(PREVIOUS)
- 52. GENERATOR(LR120-15)(PREVIOUS)
- 53. GENERATOR(LR120-15C)
- 54. THERMOSTART
- 55. INSTRUMENT PANEL
- 56. GASKET SET(OPTIONAL) & TOOL
- 57. OIL GAUGE (OPTIONAL)
- 58. MOUNTING FLANGE(OPTIONAL)
- 59. AIR CLEANER(OPTIONAL)
- 60. OUTPUT SHAFT(OPTIONAL)
- 61. FLYWHEEL FOR(OPTIONAL)
- 62. HYDRAULIC OIL PUMP(OPTIONAL)
- 63. LUB.OIL EVACUATION PUMP(OPTION)
- 64. WATER REPLENISH TANK(OPTIONAL)
- 65. FAN(OPTIONAL)
- 66. THERMOMETER SENDER(OPTIONAL)
- 67. FUEL FEED PUMP(OPTIONAL)
- 68. FUEL FEED PUMP(OPTIONAL)
- 69. FUEL TANK(OPTIONAL)
- 70. FUEL TANK BRACKET(OPTIONAL)
- 71. CONVERSION KIT(OPTIONAL)
- 72. ELECTRIC STARTING DEVICE(OPTIO

Fig. No. Fig. Name

- 73. STARTING MOTOR(S13-41)
- 74. SPECIAL TOOL(OPTIONAL)
- 75. GASKET SET(OPTIONAL)

Fig.1. CYLINDER BLOCK

Fig. 1 CYLINDER BLOCK

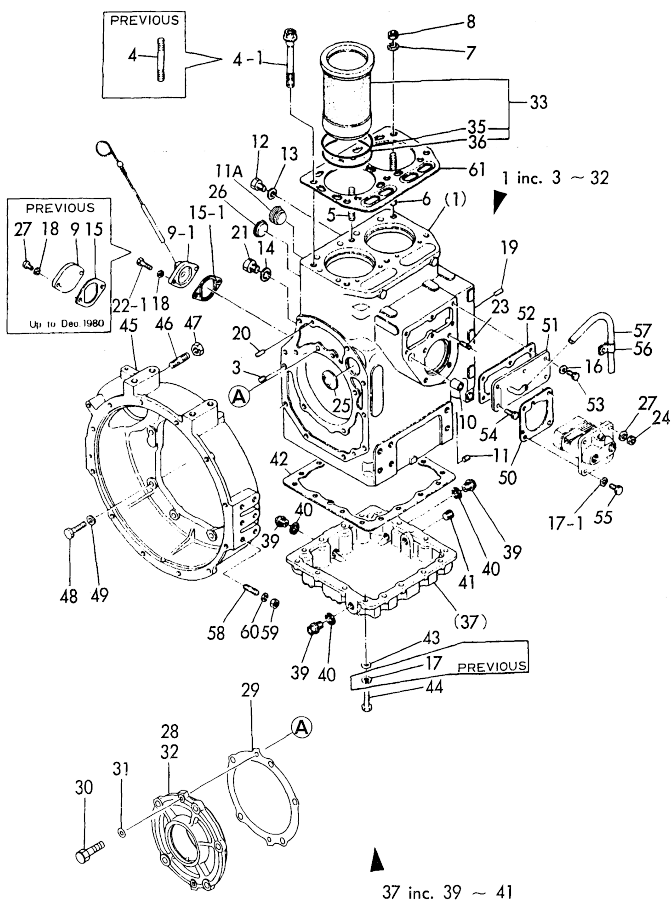


No.	Lev.	Parts No.	Description	Q'ty						I	R
				(A)	(B)	(C)	(D)	(E)	(F)		
1	1	724465-01561	BLOCK ASSY, CYLINDER	1	1	1	1				
1-1	1	724701-01560	BLOCK ASSY, CYLINDER	1	1	1	1				S
		(A=E/#G00351) (B=E/#G00351) (C=E/#G00351) (D=E/#G00351)									
1-2	1	724701-01561	BLOCK ASSY, CYLINDER	1	1	1	1				N
		(A=E/EXXX) (B=E/EXXX) (C=E/EXXX) (D=E/EXXX)									
3	2	124060-01050	PLUG, PT1/8	2	2	2	2				
4	2	124450-01210	BOLT, HEAD	4	4	4	4				
4-1	2	124450-01211	BOLT, HEAD	4	4	4	4				N
		(A=E/#00723) (B=E/#00723) (C=E/#00723) (D=E/#00723)									
4-2	2	124450-01210	BOLT, HEAD	4	4	4	4				N
		(A=E/#83658) (B=E/#83658) (C=E/#83658) (D=E/#83658)									
5	2	124450-01220	BOLT, HEAD	1	1	1	1				
6	2	124450-01230	BOLT, HEAD	1	1	1	1				
7	2	124450-01240	WASHER	6	6	6	6				
7-1	2	124450-01240	WASHER	2	2	2	2				K
		(A=E/#00723) (B=E/#00723) (C=E/#00723) (D=E/#00723)									
7-2	2	124450-01240	WASHER	6	6	6	6				K
		(A=E/#83658) (B=E/#83658) (C=E/#83658) (D=E/#83658)									
8	2	124450-01250	NUT, CYLINDER HEAD	6	6	6	6				K
8-1	2	124450-01250	NUT, CYLINDER HEAD	2	2	2	2				K
		(A=E/#00723) (B=E/#00723) (C=E/#00723) (D=E/#00723)									
8-2	2	124450-01250	NUT, CYLINDER HEAD	6	6	6	6				K
		(A=E/#83658) (B=E/#83658) (C=E/#83658) (D=E/#83658)									
9	2	124772-01400	COVER, CRANK CASE	1	1	1	1				
9-1	2	124160-34831	BRACKET	1	1	1	1				S
		(A=E/#00723) (B=E/#00723) (C=E/#00723) (D=E/#00723)									
10	2	124550-01900	BUSH	1	1	1	1				
10-1	2	124550-01901	BUSH	1	1	1	1				N
		(A=E/#83658) (B=E/#83658) (C=E/#83658) (D=E/#83658)									
11	2	124160-01910	PLUG, PT1/4	2	2	2	2				
11A	2	171051-01921	PLUG, NPTF1	1	1	1	1				W
		(A=E/#83658) (B=E/#83658) (C=E/#83658) (D=E/#83658)									
12	2	124732-01970	PLUG	1	1	1	1				
13	2	124450-01980	GASKET	1	1	1	1				
14	2	121250-01990	GASKET	1	1	1	1				
15	2	124160-34843	GASKET	1	1	1	1				
15-1	2	124160-34844	GASKET	1	1	1	1				N
		(A=E/EXXX) (B=E/EXXX) (C=E/EXXX) (D=E/EXXX)									
15-2	2	124160-34845	GASKET	1	1	1	1				N
		(A=E/#83898) (B=E/#83898) (C=E/#83898) (D=E/#83898)									
16	2	22137-060000	WASHER, 6	4	4	4	4				R
16-1	2	22117-060000	WASHER, 6	4	4	4	4				R
		(A=E/EXXX) (B=E/EXXX) (C=E/EXXX) (D=E/EXXX)									
16-2	2	22117-060000	WASHER, 6	4	4	4	4				Z
		(A=E/EXXX) (B=E/EXXX) (C=E/EXXX) (D=E/EXXX)									
17	2	22217-080000	WASHER, SPRING 8	18	18	18	18				
17-1	2	22217-080000	WASHER, SPRING 8	2	2	2	2				K
		(A=E/#00723) (B=E/#00723) (C=E/#00723) (D=E/#00723)									
18	2	22137-080000	WASHER, 8	2	2	2	2				W
		(A=E/#00723) (B=E/#00723) (C=E/#00723) (D=E/#00723)									
18-1	2	22137-080000	WASHER, 8	2	2	2	2				Z

N:Old $\frac{REV}{REV}$ New, Q:Old $\frac{REV}{REV}$ New, R:Old $\frac{REV}{REV}$ New, S:Old $\frac{REV}{REV}$ New, W:Add, Z:Discontinued, F:Interchangeable by set, K:Q'ty Change
 ++ CONTINUE ++
 Copyright (C) YANMAR CO., LTD. All Rights Reserved.

Fig.1. CYLINDER BLOCK

Fig. 1 CYLINDER BLOCK

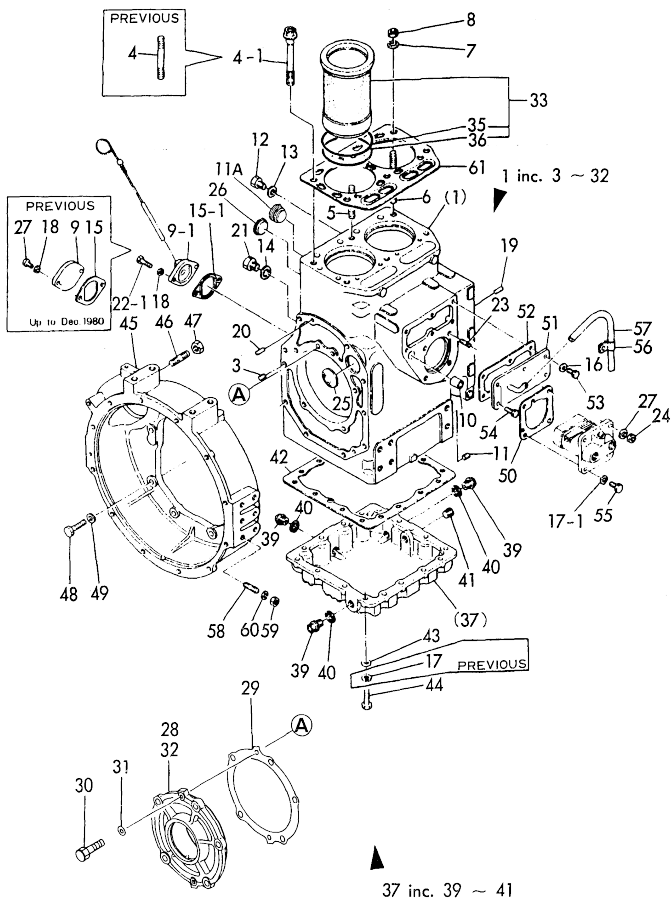


No.	Lev.	Parts No.	Description	Q'ty						I	R
				(A)	(B)	(C)	(D)	(E)	(F)		
19		(A)=E000 (B)=E000 (C)=E000 (D)=E000	22312-080160 PIN, PARALLEL M8X16	2	2	2	2				
20		(A)=E000 (B)=E000 (C)=E000 (D)=E000	22312-080200 PIN, PARALLEL M8X20	2	2	2	2				
21		(A)=E000 (B)=E000 (C)=E000 (D)=E000	23883-100002 PLUG, 10	1	1	1	1				
21-1		(A)=E000 (B)=E000 (C)=E000 (D)=E000	23887-100002 PLUG, 10	1	1	1	1				N
22		(A)=E000 (B)=E000 (C)=E000 (D)=E000	26116-080162 BOLT, M8X 16 PLATED	2	2	2	2				
22-1		(A)=E#00723 (B)=E#00723 (C)=E#00723 (D)=E#00723	26116-080252 BOLT, M8X 25 PLATED	2	2	2	2				S
22-2		(A)=E#83658 (B)=E#83658 (C)=E#83658 (D)=E#83658	26106-080222 BOLT, M8X 22 PLATED	2	2	2	2				N
23		(A)=E000 (B)=E000 (C)=E000 (D)=E000	26216-080222 STUD, M8X 22	2	2	2	2				
24		(A)=E000 (B)=E000 (C)=E000 (D)=E000	26716-080002 NUT, M8	2	2	2	2				
24-1		(A)=E#83658 (B)=E#83658 (C)=E#83658 (D)=E#83658	26366-080002 NUT, M8	2	2	2	2				N
25		(A)=E000 (B)=E000 (C)=E000 (D)=E000	27233-400000 PLUG, 40	1	1	1	1				
25-1		(A)=E000 (B)=E000 (C)=E000 (D)=E000	27231-400000 PLUG 40	1	1	1	1				N
26		(A)=E000 (B)=E000 (C)=E000 (D)=E000	27243-300000 PLUG, 30	1	1	1	1				
26-1		(A)=E000 (B)=E000 (C)=E000 (D)=E000	27241-300000 PLUG 30	1	1	1	1				N
27		(A)=E000 (B)=E000 (C)=E000 (D)=E000	43400-500410 SEAL WASHER 8	2	2	2	2				
28		(A)=E000 (B)=E000 (C)=E000 (D)=E000	724465-02500 HOUSING ASSY, METAL	1	1	1	1				
28-1		(A)=E000 (B)=E000 (C)=E000 (D)=E000	724701-02500 HOUSING ASSY, METAL	1	1	1	1				S
29		(A)=E#G00351 (B)=E#G00351 (C)=E#G00351 (D)=E#G00351	124460-02150 GASKET	1	1	1	1				
30		(A)=E000 (B)=E000 (C)=E000 (D)=E000	26116-100252 BOLT, M10X 25 PLATED	5	5	5	5				
30-1		(A)=E000 (B)=E000 (C)=E000 (D)=E000	26106-100252 BOLT, M10X 25 PLATED	5	5	5	5				N
31		(A)=E000 (B)=E000 (C)=E000 (D)=E000	22217-100000 WASHER, SPRING 10	5	5	5	5				Z
32		(A)=E000 (B)=E000 (C)=E000 (D)=E000	121250-02100 BEARING, MAIN	1	1	1	1				
32-1		(A)=E000 (B)=E000 (C)=E000 (D)=E000	121250-02101 BEARING, MAIN	1	1	1	1				N
33		(A)=E#83836 (B)=E#83836 (C)=E#83836 (D)=E#83836	724763-01900 LINER ASSY, CYLINDER	2	2	2	2				
35		(A)=E000 (B)=E000 (C)=E000 (D)=E000	124550-01300 GASKET, LINER	2	2	2	2				
36		(A)=E000 (B)=E000 (C)=E000 (D)=E000	124550-01300 GASKET, LINER	2	2	2	2				
36-1		(A)=E#1979.11 (B)=E#1979.11 (C)=E#1979.11 (D)=E#1979.11	121420-01300 GASKET, LINER	2	2	2	2				N
37		(A)=E000 (B)=E000 (C)=E000 (D)=E000	724701-01540 SUMP ASSY, OIL	1	1	1	1				
37-1		(A)=E#G00369 (B)=E#G00369 (C)=E#G00369 (D)=E#G00369	724701-01541 SUMP ASSY, OIL	1	1	1	1				N
39		(A)=E000 (B)=E000 (C)=E000 (D)=E000	124060-01640 PLUG, M12	2	2	2	2				
39-1		(A)=E#G00369 (B)=E#G00369 (C)=E#G00369 (D)=E#G00369	121400-01640 PLUG, 16	2	2	2	2				N
39-2		(A)=E000 (B)=E000 (C)=E000 (D)=E000	105425-01690 PLUG, 16	2	2	2	2				N
39-3		(A)=E#00723 (B)=E#00723 (C)=E#00723 (D)=E#00723	105425-01690 PLUG, 16	3	3	3	3				K
39-4		(A)=E#83658 (B)=E#83658 (C)=E#83658 (D)=E#83658	121400-01640 PLUG, 16	3	3	3	3				N

N:Old $\frac{New}{Old}$ New. Q:Old $\frac{New}{Old}$ New. R:Old $\frac{New}{Old}$ New. S:Old $\frac{New}{Old}$ New. W:Add. Z:Discontinued. F:Interchangeable by set. K:Q'ty Change
 ++ CONTINUE ++
 Copyright (C) YANMAR CO., LTD. All Rights Reserved.

Fig.1. CYLINDER BLOCK

Fig. 1 CYLINDER BLOCK

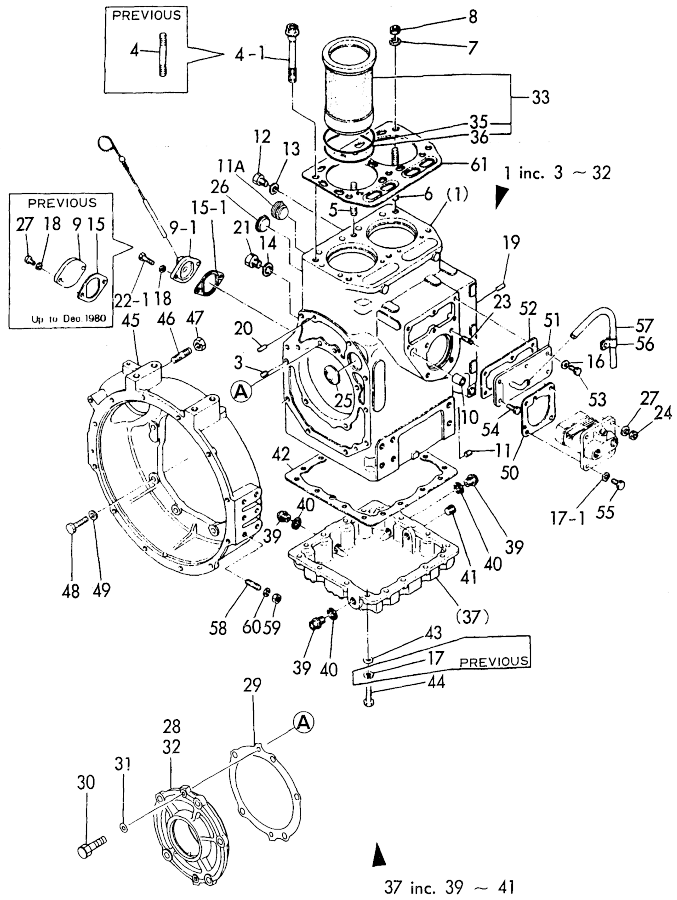


No.	Lev.	Parts No.	Description	Q'ty						I	R
				(A)	(B)	(C)	(D)	(E)	(F)		
40	2	24311-000140	O-RING, 1AP14.0		2	2	2	2			
40-1	2	24311-000180	O-RING, 1AP18.0		2	2	2	2		S	
		(A=E#G00369) (B=E#G00369) (C=E#G00369) (D=E#G00369)									
40-2	2	43400-500490	SEAL WASHER 16		2	2	2	2		S	
		(A=*1980.10) (B=*1980.10) (C=*1980.10) (D=*1980.10)									
40-3	2	43400-500490	SEAL WASHER 16		3	3	3	3		K	
		(A=E#00723) (B=E#00723) (C=E#00723) (D=E#00723)									
40-4	2	24311-000180	O-RING, 1AP18.0		3	3	3	3		N	
		(A=E#83658) (B=E#83658) (C=E#83658) (D=E#83658)									
41	2	124160-01910	PLUG, PT1/4		1	1	1	1			
42	1	124465-01750	GASKET, OIL SUMP		1	1	1	1			
42-1	1	124465-01751	GASKET		1	1	1	1		N	
		(A=E#XXXX) (B=E#XXXX) (C=E#XXXX) (D=E#XXXX)									
43	1	22137-080000	WASHER, 8		16	16	16	16		Z	
		(A=E#XXXX) (B=E#XXXX) (C=E#XXXX) (D=E#XXXX)									
44	1	26116-080302	BOLT, M8X 30 PLATED		16	16	16	16			
44-1	1	26106-080252	BOLT, M8X 25 PLATED		16	16	16	16		N	
		(A=E#83658) (B=E#83658) (C=E#83658) (D=E#83658)									
45	1	121400-01600	HOUSING, FLYWHEEL		1	1	1	1			
46	1	26226-120252	STUD, M12X 25		2	2	2	2			
46-1	1	26216-120252	STUD, M12X 25		2	2	2	2		R	
		(A=E#XXXX) (B=E#XXXX) (C=E#XXXX) (D=E#XXXX)									
47	1	26716-120002	NUT, M12		2	2	2	2			
48	1	26116-100352	BOLT, M10X 35 PLATED		9	9	9	9			
48-1	1	26206-100352	BOLT, M10X 35 PLATED		9	9	9	9		N	
		(A=E#83658) (B=E#83658) (C=E#83658) (D=E#83658)									
49	1	22137-100000	WASHER, 10		9	9	9	9			
49-1	1	22117-100000	WASHER, 10		9	9	9	9		N	
		(A=E#XXXX) (B=E#XXXX) (C=E#XXXX) (D=E#XXXX)									
50	1	124550-51950	SHIM SET, ADJUSTING		1	1	1	1			
50-1	1	124550-51951	SHIM SET, ADJUSTING		1	1	1	1		N	
		(A=E#XXXX) (B=E#XXXX) (C=E#XXXX) (D=E#XXXX)									
51	1	121250-01850	COVER		1	1	1	1			
52	1	124160-01862	GASKET		1	1	1	1			
52-1	1	124160-01863	GASKET		1	1	1	1		N	
		(A=E#XXXX) (B=E#XXXX) (C=E#XXXX) (D=E#XXXX)									
53	1	26116-060142	BOLT, M6X 14 PLATED		4	4	4	4			
53-1	1	26106-060122	BOLT, M6X 12 PLATED		4	4	4	4		N	
		(A=E#83658) (B=E#83658) (C=E#83658) (D=E#83658)									
54	1	26116-060162	BOLT, M6X 16 PLATED		2	2	2	2			
54-1	1	26106-080142	BOLT, M8X 14 PLATED		2	2	2	2		N	
		(A=E#83658) (B=E#83658) (C=E#83658) (D=E#83658)									
55	1	26116-080222	BOLT, M8X 22 PLATED		2	2	2	2			
55-1	1	26106-080222	BOLT, M8X 22 PLATED		2	2	2	2		N	
		(A=E#83658) (B=E#83658) (C=E#83658) (D=E#83658)									
56	1	124160-01650	CLAMP, PIPE		1	1	1	1			
57	1	23065-090560	PIPE, 9X 560		1	1	1	1			
57-1	1	23065-090500	PIPE, 9X 500		1	1	1	1		N	
		(A=E#XXXX) (B=E#XXXX) (C=E#XXXX) (D=E#XXXX)									
58	1	26226-100222	STUD, M10X 22		8	8	8	8			
58-1	1	26226-100252	STUD, M10X 25		8	8	8	8		R	

N:Old, Q:New, R:Old, S:New, W:Add, Z:Discontinued, F:Interchangeable by set, K:Qty Change
 ++ CONTINUE ++
 Copyright (C) YANMAR CO., LTD. All Rights Reserved.

Fig.1. CYLINDER BLOCK

Fig. 1 CYLINDER BLOCK

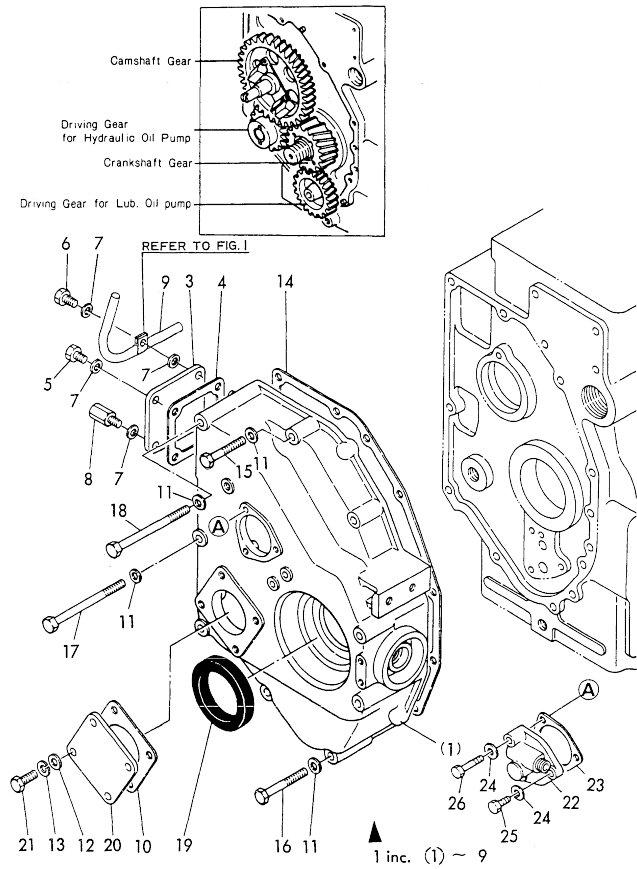


No.	Lev.	Parts No.	Description	Q'ty						I	R	
				(A)	(B)	(C)	(D)	(E)	(F)			
				(A)=2T90LE (B)=2T90LE-G1 (C)=2T90LE-TA								
				(D)=2T90LE-TB (E)= (F)=								
59	1	26716-100002	NUT, M10	(A=E)XXX	(B=E)XXX	(C=E)XXX	(D=E)XXX	8	8	8	8	
59-1	1	26706-100002	NUT, M10	(A=E)XXX	(B=E)XXX	(C=E)XXX	(D=E)XXX	8	8	8	8	N
60	1	22217-100000	WASHER, SPRING 10	(A=E/#83658)	(B=E/#83658)	(C=E/#83658)	(D=E/#83658)	8	8	8	8	Z
61	1	124763-01330	GASKET, HEAD	(A=E)XXX	(B=E)XXX	(C=E)XXX	(D=E)XXX	1	1	1	1	

N:Old $\frac{100}{100}$ New, Q:Old $\frac{100}{100}$ New, R:Old $\frac{100}{100}$ New, S:Old $\frac{100}{100}$ New, W:Add, Z:Discontinued, F:Interchangeable by set, K:Q'ty Change
 Copyright (C) YANMAR CO., LTD. All Rights Reserved.

Fig.2. GEAR HOUSING

Fig.2 GEAR HOUSING

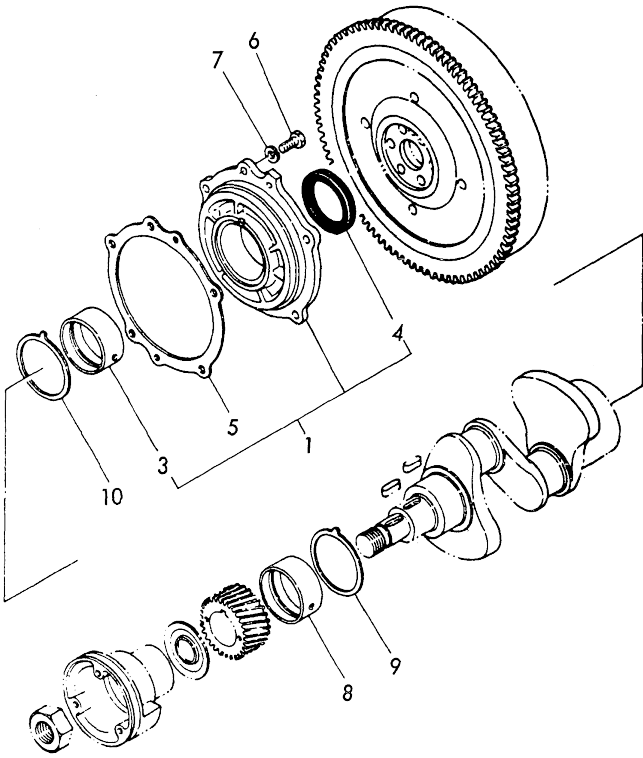


No.	Lev.	Parts No.	Description	Qty						I	R
				(A)	(B)	(C)	(D)	(E)	(F)		
1	1	724160-01612	CASE ASSY, GEAR	1	1	1	1				
3	2	121250-01550	COVER	1	1	1	1				
4	2	124160-01531	GASKET	1	1	1	1				
4-1	2	124160-01532	GASKET	1	1	1	1				N
		(A=E/XXXX) (B=E/XXXX) (C=E/XXXX) (D=E/XXXX)									
5	2	26116-080122	BOLT, M8X 12 PLATED	1	1	1	1				
5-1	2	26116-080142	BOLT M 8X 14 PLATED	1	1	1	1				
5-2	2	26106-080142	BOLT, M8X 14 PLATED	1	1	1	1				N
		(A=E/#83658) (B=E/#83658) (C=E/#83658) (D=E/#83658)									
6	2	26116-080162	BOLT, M8X 16 PLATED	1	1	1	1				
6-1	2	26116-080142	BOLT M 8X 14 PLATED	1	1	1	1				
6-2	2	26106-080142	BOLT, M8X 14 PLATED	1	1	1	1				N
		(A=E/#83658) (B=E/#83658) (C=E/#83658) (D=E/#83658)									
7	2	23414-080000	GASKET, 8X1.0	5	5	5	5				Z
		(A=E/XXXX) (B=E/XXXX) (C=E/XXXX) (D=E/XXXX)									
8	2	121400-01950	BOLT, M8X15	2	2	2	2				
9	2	23065-090560	PIPE, 9X 560	1	1	1	1				
9-1	2	23065-090500	PIPE, 9X 500	1	1	1	1				N
		(A=E/XXXX) (B=E/XXXX) (C=E/XXXX) (D=E/XXXX)									
10	1	124240-01881	GASKET	1	1	1	1				
10-1	1	124240-01882	GASKET	1	1	1	1				N
		(A=E/XXXX) (B=E/XXXX) (C=E/XXXX) (D=E/XXXX)									
10-2	1	124240-01883	GASKET	1	1	1	1				N
		(A=E/#83898) (B=E/#83898) (C=E/#83898) (D=E/#83898)									
11	1	22117-080000	WASHER, 8	9	9	9	9				Z
		(A=E/XXXX) (B=E/XXXX) (C=E/XXXX) (D=E/XXXX)									
12	1	22137-080000	WASHER, 8	4	4	4	4				
12-1	1	22117-080000	WASHER, 8	4	4	4	4				N
		(A=E/XXXX) (B=E/XXXX) (C=E/XXXX) (D=E/XXXX)									
13	1	22217-080000	WASHER, SPRING 8	4	4	4	4				Z
		(A=E/XXXX) (B=E/XXXX) (C=E/XXXX) (D=E/XXXX)									
14	1	124450-01511	GASKET, GEAR CASE	1	1	1	1				
14-1	1	124450-01512	GASKET, GEAR CASE	1	1	1	1				N
		(A=E/XXXX) (B=E/XXXX) (C=E/XXXX) (D=E/XXXX)									
15	1	26116-080502	BOLT, M8X 50 PLATED	2	2	2	2				
15-1	1	26106-080502	BOLT, M8X 50 PLATED	2	2	2	2				N
		(A=E/#83658) (B=E/#83658) (C=E/#83658) (D=E/#83658)									
16	1	26116-080602	BOLT, M8X 60 PLATED	2	2	2	2				
16-1	1	26106-080602	BOLT, M8X 60 PLATED	2	2	2	2				N
		(A=E/#83658) (B=E/#83658) (C=E/#83658) (D=E/#83658)									
17	1	26116-081002	BOLT, M8X100 PLATED	4	4	4	4				
17-1	1	26106-081002	BOLT, M8X100 PLATED	4	4	4	4				N
		(A=E/#83658) (B=E/#83658) (C=E/#83658) (D=E/#83658)									
18	1	26116-081052	BOLT, M8X105 PLATED	1	1	1	1				
18-1	1	26116-081002	BOLT, M8X100 PLATED	1	1	1	1				S
		(A=E/XXXX) (B=E/XXXX) (C=E/XXXX) (D=E/XXXX)									
18-2	1	26106-081002	BOLT, M8X100 PLATED	1	1	1	1				N
		(A=E/#83658) (B=E/#83658) (C=E/#83658) (D=E/#83658)									
19	1	124450-01800	SEAL, HTC588012	1	1	1	1				
20	1	124240-01870	COVER	1	1	1	1				
20-1	1	124240-01871	COVER	1	1	1	1				F

N:Old $\frac{New}{Old}$ New, Q:Old $\frac{New}{Old}$ New, R:Old $\frac{New}{Old}$ New, S:Old $\frac{New}{Old}$ New, W:Add, Z:Discontinued, F:Interchangeable by set, K:Qty Change
 ++ CONTINUE ++
 Copyright (C) YANMAR CO., LTD. All Rights Reserved.

Fig.3. MAIN BEARING HOUSING

Fig.3 MAIN BEARING HOUSING

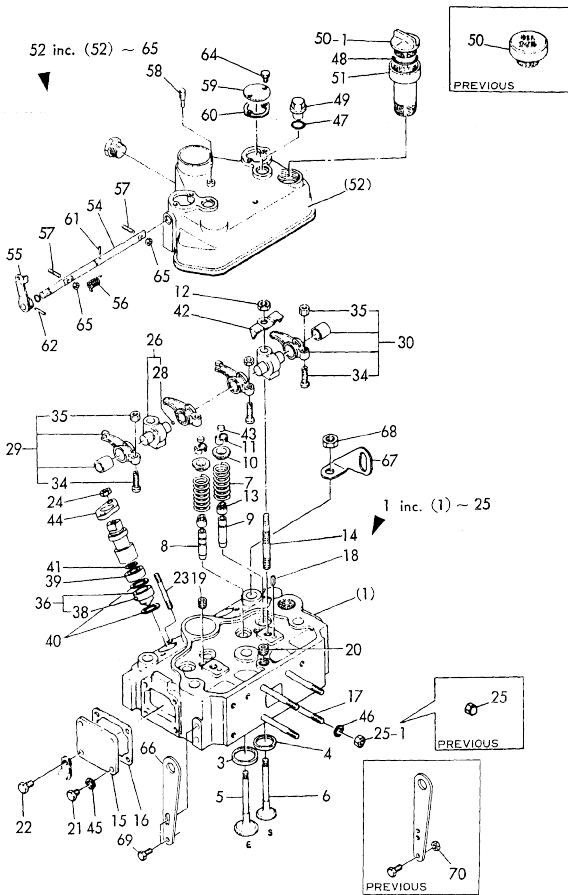


No.	Lev.	Parts No.	Description	Q'ty						I	R
				(A)	(B)	(C)	(D)	(E)	(F)		
1	1	724465-02500	HOUSING ASSY, METAL	1	1	1	1				
1-1	1	724701-02500	HOUSING ASSY, METAL	1	1	1	1				S
		(A=E/#G00351) (B=E/#G00351) (C=E/#G00351) (D=E/#G00351)									
3	2	121250-02100	BEARING, MAIN	1	1	1	1				
3-1	2	121250-02110	BEARING, MAIN	1	1	1	1				S
		(A=E/#G00351) (B=E/#G00351) (C=E/#G00351) (D=E/#G00351)									
3-2	2	121250-02111	BEARING, MAIN	1	1	1	1				N
		(A=E/#83836) (B=E/#83836) (C=E/#83836) (D=E/#83836)									
4	2	124450-02220	SEAL, HTCX60X82X9	1	1	1	1				
4-1	2	121250-02220	SEAL, OIL	1	1	1	1				S
		(A=E/#G00351) (B=E/#G00351) (C=E/#G00351) (D=E/#G00351)									
5	1	124460-02150	GASKET	1	1	1	1				
6	1	26116-100252	BOLT, M10X 25 PLATED	5	5	5	5				
6-1	1	26106-100252	BOLT, M10X 25 PLATED	5	5	5	5				N
		(A=E/XXX) (B=E/XXX) (C=E/XXX) (D=E/XXX)									
7	1	22217-100000	WASHER, SPRING 10	5	5	5	5				Z
		(A=E/XXX) (B=E/XXX) (C=E/XXX) (D=E/XXX)									
8	1	121250-02100	BEARING, MAIN	1	1	1	1				
8-1	1	121250-02101	BEARING, MAIN	1	1	1	1				N
		(A=E/#83836) (B=E/#83836) (C=E/#83836) (D=E/#83836)									
9	1	124450-02110	BEARING, THRUST	1	1	1	1				
10	1	124450-02110	BEARING, THRUST	1	1	1	1				
10-1	1	124701-02110	BEARING, THRUST	1	1	1	1				S
		(A=E/#G00351) (B=E/#G00351) (C=E/#G00351) (D=E/#G00351)									

N:Old $\frac{100}{100}$ New, Q:Old $\frac{100}{100}$ New, R:Old $\frac{100}{100}$ New, S:Old $\frac{100}{100}$ New, W:Add, Z:Discontinued, F:Interchangeable by set, K:Q'ty Change
 Copyright (C) YANMAR CO., LTD. All Rights Reserved.

Fig.4. CYLINDER HEAD & BONNET

Fig.4 CYLINDER HEAD & BONNET



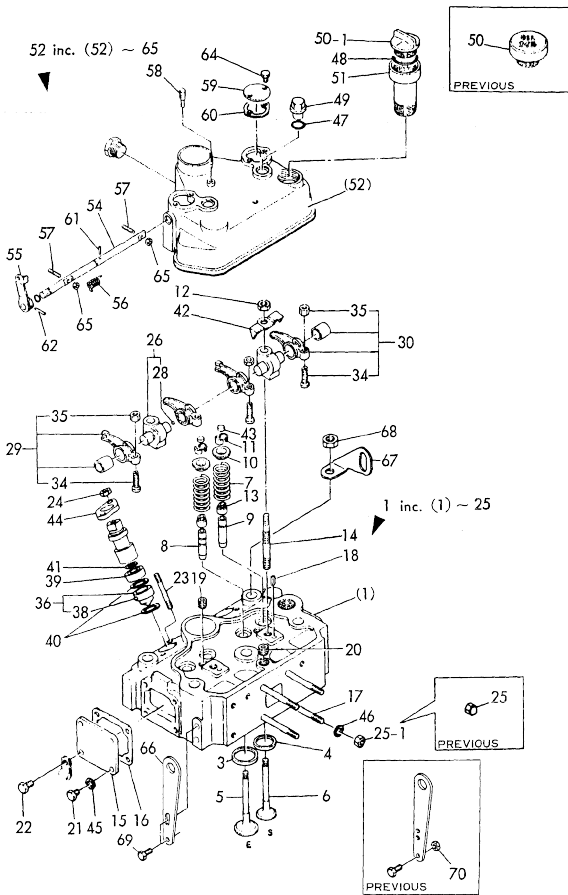
(A)=2T90LE
(B)=2T90LE-G1
(C)=2T90LE-TA
(D)=2T90LE-TB
(E)=
(F)=

No.	Lev.	Parts No.	Description	Q'ty						I	R
				(A)	(B)	(C)	(D)	(E)	(F)		
1	1	724701-11700	HEAD ASSY, CYLINDER	1	1	1	1				
1-1	1	724701-11701	HEAD ASSY, CYLINDER	1	1	1	1				N
		(A=E/#83658)	(B=E/#83658)	(C=E/#83658)	(D=E/#83658)						
2	2	124701-11000	HEAD ASSY, CYLINDER	1	1	1	1				
3	3	121400-11080	SEAT, INTAKE VALVE	2	2	2	2				
4	3	124770-11090	SEAT, EXHAUST VALVE	2	2	2	2				
5	3	124450-11160	GUIDE, VALVE	2	2	2	2				
5-1	3	124450-11161	GUIDE, VALVE	2	2	2	2				N
		(A=E/XXX)	(B=E/XXX)	(C=E/XXX)	(D=E/XXX)						
5-2	3	124450-11800	GUIDE, VALVE	2	2	2	2				N
		(A=E/XXX)	(B=E/XXX)	(C=E/XXX)	(D=E/XXX)						
5-3	3	120130-11860	GUIDE, VALVE	2	2	2	2				N
		(A=E/XXX)	(B=E/XXX)	(C=E/XXX)	(D=E/XXX)						
6	3	124450-11170	GUIDE, VALVE	2	2	2	2				
6-1	3	124450-11171	GUIDE, VALVE	2	2	2	2				N
		(A=E/XXX)	(B=E/XXX)	(C=E/XXX)	(D=E/XXX)						
6-2	3	124450-11810	GUIDE, VALVE	2	2	2	2				N
		(A=E/XXX)	(B=E/XXX)	(C=E/XXX)	(D=E/XXX)						
6-3	3	129150-11810	GUIDE, VALVE	2	2	2	2				N
		(A=E/XXX)	(B=E/XXX)	(C=E/XXX)	(D=E/XXX)						
7	2	121400-11120	SPRING, VALVE	4	4	4	4				
7-1	2	121400-11121	SPRING, VALVE	4	4	4	4				N
		(A=E/XXX)	(B=E/XXX)	(C=E/XXX)	(D=E/XXX)						
7-2	2	124772-11120	SPRING, VALVE	4	4	4	4				N
		(A=E/XXX)	(B=E/XXX)	(C=E/XXX)	(D=E/XXX)						
8	2	121400-11101	VALVE, INTAKE	2	2	2	2				
9	2	121400-11110	VALVE, EXHAUST	2	2	2	2				
10	2	103338-11180	RETAINER, SPRING	4	4	4	4				
11	2	103338-11190	COTTER	4	4	4	4				
12	2	124460-11270	NUT, M12	2	2	2	2				
13	2	121400-11340	SEAL, VALVE STEM	4	4	4	4				
14	2	104700-11350	STUD	2	2	2	2				
15	2	124450-11671	COVER, CYLINDER HEAD	1	1	1	1				
16	2	124450-11681	GASKET	1	1	1	1				
17	2	26216-080752	STUD, M8X 75	4	4	4	4				
17-1	2	26216-080822	STUD, M8X 82	4	4	4	4				N
		(A=E/#83658)	(B=E/#83658)	(C=E/#83658)	(D=E/#83658)						
18	2	22351-060014	PIN, SPRING 6.0X14	2	2	2	2				
18-1	2	22351-060012	PIN, SPRING 6.0X12	2	2	2	2				N
		(A=E/#83658)	(B=E/#83658)	(C=E/#83658)	(D=E/#83658)						
19	2	23873-020000	PLUG, R02	2	2	2	2				
19-1	2	23871-020000	PLUG, R02	2	2	2	2				N
		(A=E/XXX)	(B=E/XXX)	(C=E/XXX)	(D=E/XXX)						
20	2	23873-040000	PLUG, R04	1	1	1	1				
20-1	2	23871-040000	PLUG, R04	1	1	1	1				N
		(A=E/XXX)	(B=E/XXX)	(C=E/XXX)	(D=E/XXX)						
21	2	26116-080142	BOLT M 8X 14 PLATED	3	3	3	3				
21-1	2	26106-080122	BOLT, M8X 12 PLATED	3	3	3	3				N
		(A=E/#83658)	(B=E/#83658)	(C=E/#83658)	(D=E/#83658)						
22	2	26116-080162	BOLT, M8X 16 PLATED	1	1	1	1				
22-1	2	26106-080142	BOLT, M8X 14 PLATED	1	1	1	1				N

N:Old $\frac{100}{100}$ New, Q:Old $\frac{100}{100}$ New, R:Old $\frac{100}{100}$ New, S:Old $\frac{100}{100}$ New, W:Add, Z:Discontinued, F:Interchangeable by set, K:Q'ty Change
 ++ CONTINUE ++
 Copyright (C) YANMAR CO., LTD. All Rights Reserved.

Fig.4. CYLINDER HEAD & BONNET

Fig.4 CYLINDER HEAD & BONNET

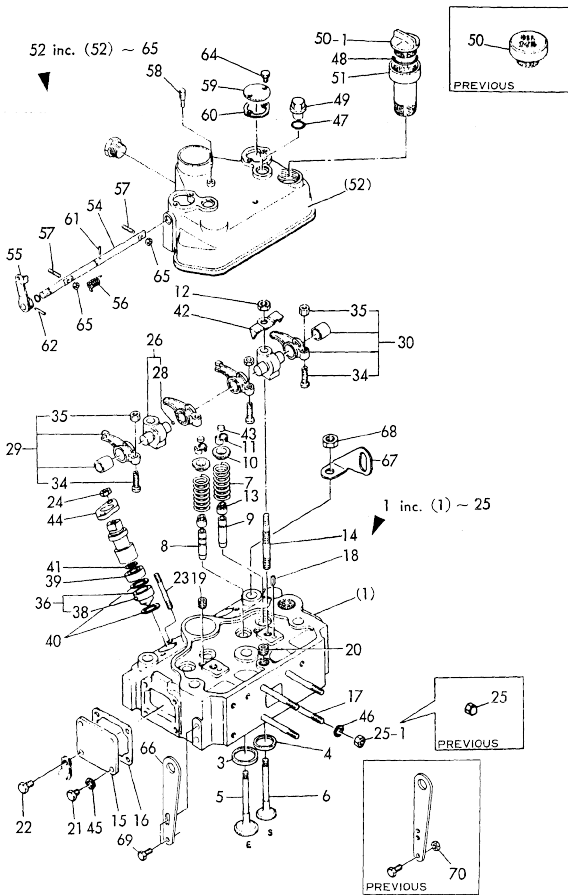


No.	Lev.	Parts No.	Description	Q'ty						I	R
				(A)	(B)	(C)	(D)	(E)	(F)		
		(A)=E/#83898 (B)=E/#83898 (C)=E/#83898 (D)=E/#83898									
23	2	26216-080602	STUD, M8X 60	4	4	4	4				
24	2	26716-080002	NUT, M8	4	4	4	4				
24-1	2	26366-080002	NUT, M8	4	4	4	4				N
		(A)=E/#83658 (B)=E/#83658 (C)=E/#83658 (D)=E/#83658									
25	2	26657-080002	NUT, CAP M8	4	4	4	4				
25-1	2	26716-080002	NUT, M8	4	4	4	4				N
		(A)=E/XXX (B)=E/XXX (C)=E/XXX (D)=E/XXX									
25-2	2	26756-080002	NUT, LOCK M8	4	4	4	4				N
		(A)=E/XXX (B)=E/XXX (C)=E/XXX (D)=E/XXX									
26	1	124772-11250	SUPPORT	2	2	2	2				
28	2	24190-060001	BALL, STEEL 3/16	2	2	2	2				
28-1	2	24190-060002	BALL, STEEL 3/16	2	2	2	2				N
		(A)=E/XXX (B)=E/XXX (C)=E/XXX (D)=E/XXX									
29	1	724450-11650	ARM ASSY, ROCKER	2	2	2	2				
29-1	2	124450-11380	ARM, ROCKER	2	2	2	2				N
		(A)=E/XXX (B)=E/XXX (C)=E/XXX (D)=E/XXX									
30	1	724450-11660	ARM ASSY, ROCKER	2	2	2	2				
30-1	1	124450-11390	ARM, ROCKER	2	2	2	2				N
		(A)=E/XXX (B)=E/XXX (C)=E/XXX (D)=E/XXX									
34	2	101158-11230	SCREW, VALVE ADJUST	4	4	4	4				
34-1	2	111100-11230	SCREW, VALVE ADJUST	4	4	4	4				N
		(A)=E/XXX (B)=E/XXX (C)=E/XXX (D)=E/XXX									
35	2	26756-080002	NUT, LOCK M8	4	4	4	4				
35-1	2	26366-080002	NUT, M8	4	4	4	4				N
		(A)=E/XXX (B)=E/XXX (C)=E/XXX (D)=E/XXX									
36	1	121400-11420	CHAMBER	2	2	2	2				
38	2	103338-11430	PIN	2	2	2	2				
39	1	104900-11410	CHAMBER	2	2	2	2				
40	1	104900-11450	GASKET, CHAMBER	4	4	4	4				
41	1	103854-11490	INSULATOR	2	2	2	2				
42	1	124450-11290	RETAINER	2	2	2	2				
43	1	104511-11370	CAP, VALVE	4	4	4	4				
44	1	173400-11900	FLANGE	2	2	2	2				
45	1	22137-080000	WASHER, 8	3	3	3	3				Z
		(A)=E/XXX (B)=E/XXX (C)=E/XXX (D)=E/XXX									
46	1	22217-080000	WASHER, SPRING 8	4	4	4	4				
47	1	24311-000140	O-RING, 1AP14.0	2	2	2	2				
48	1	24311-000320	O-RING, 1AP32.0	1	1	1	1				
49	1	124460-11360	CAP	2	2	2	2				
50	1	124722-11730	COVER	1	1	1	1				
50-1	1	124160-01750	COVER	1	1	1	1				R
		(A)=E/#00492 (B)=E/#00492 (C)=E/#00492 (D)=E/#00492									
50-2	1	124160-01751	COVER, FILLER	1	1	1	1				R
		(A)=E/XXX (B)=E/XXX (C)=E/XXX (D)=E/XXX									
51	1	124722-11740	PIPE, EXTENSION	1	1	1	1				
52	1	724701-11520	BONNET ASSY, HEAD	1	1	1	1				
52-1	1	724722-11520	BONNET ASSY, HEAD	1	1	1	1				N
		(A)=E/#83658 (B)=E/#83658 (C)=E/#83658 (D)=E/#83658									
54	2	124450-03600	SHAFT, DECOMPRESSION	1	1	1	1				
55	2	124250-03611	LEVER, DECOMPRESSION	1	1	1	1				

N:Old $\frac{New}{Old}$ New. Q:Old $\frac{New}{Old}$ New. R:Old $\frac{New}{Old}$ New. S:Old $\frac{New}{Old}$ New. W:Add. Z:Discontinued. F:Interchangeable by set. K:Q'ty Change
 ++ CONTINUE ++ Copyright (C) YANMAR CO., LTD. All Rights Reserved.

Fig.4. CYLINDER HEAD & BONNET

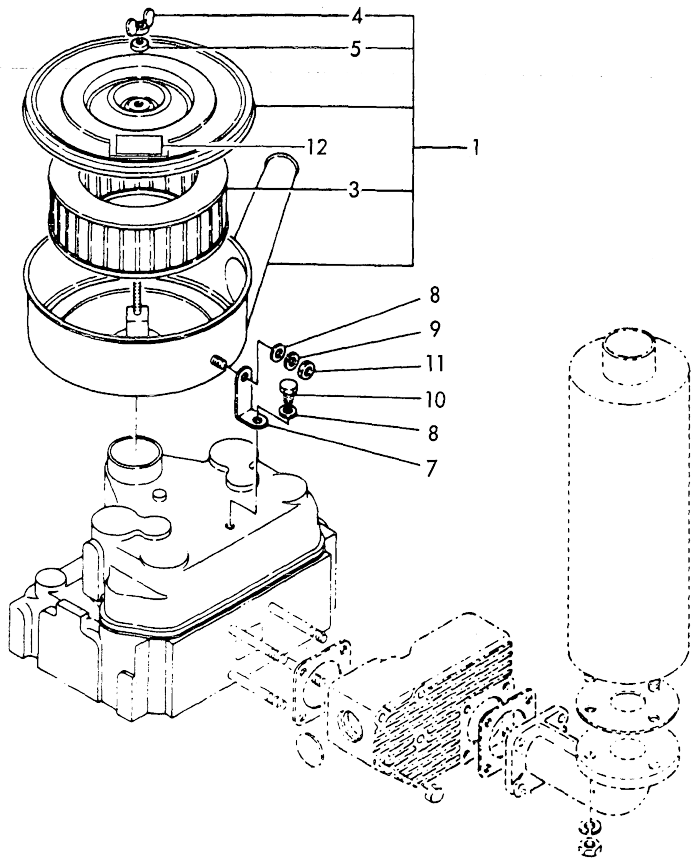
Fig.4 CYLINDER HEAD & BONNET



No.	Lev.	Parts No.	Description	Q'ty						I	R
				(A)	(B)	(C)	(D)	(E)	(F)		
56	2	124250-03621	SPRING, DECOMPRESSION	1	1	1	1				
57	2	124250-03630	SCREW	2	2	2	2				
57-1	2	120220-03660	SCREW	2	2	2	2				N
		(A)=E/#G00443 (B)=E/#G00443 (C)=E/#G00443 (D)=E/#G00443									
58	2	124250-03640	SCREW	1	1	1	1				
59	2	124460-03650	COVER	2	2	2	2				
60	2	124460-03662	GASKET	2	2	2	2				
60-1	2	124460-03663	GASKET	2	2	2	2				N
		(A)=E/XXX (B)=E/XXX (C)=E/XXX (D)=E/XXX									
61	2	22322-030140	PIN, TAPER 3X14	1	1	1	1				
62	2	22322-030180	PIN, TAPER 3X18	1	1	1	1				
63	2	24311-000070	O-RING, 1AP7.0	1	1	1	1				
64	2	26116-060102	BOLT, M6X 10 PLATED	4	4	4	4				
64-1	2	26106-060102	BOLT, M6X 10 PLATED	4	4	4	4				N
		(A)=E/#83658 (B)=E/#83658 (C)=E/#83658 (D)=E/#83658									
65	2	26756-050002	NUT, LOCK M5	2	2	2	2				
66	1	124736-07900	LIFTER	1	1	1	1				
67	1	121400-07910	LIFTER	1	1	1	1				
68	1	124450-44610	NUT, LOCK	1	1	1	1				
69	1	26116-080182	BOLT, M8X 18 PLATED	2	2	2	2				
69-1	1	26116-080122	BOLT, M8X 12 PLATED	2	2	2	2				S
		(A)=E/XXX (B)=E/XXX (C)=E/XXX (D)=E/XXX									
69-2	1	26106-080122	BOLT, M8X 12 PLATED	2	2	2	2				N
		(A)=E/#83658 (B)=E/#83658 (C)=E/#83658 (D)=E/#83658									
70	1	26716-080002	NUT, M8	2	2	2	2				Z
		(A)=E/XXX (B)=E/XXX (C)=E/XXX (D)=E/XXX									

Fig.5. SUC.MANIFOLD & AIR CLEANER

Fig. 5 SUCTION MANIFOLD & AIR CLEANER

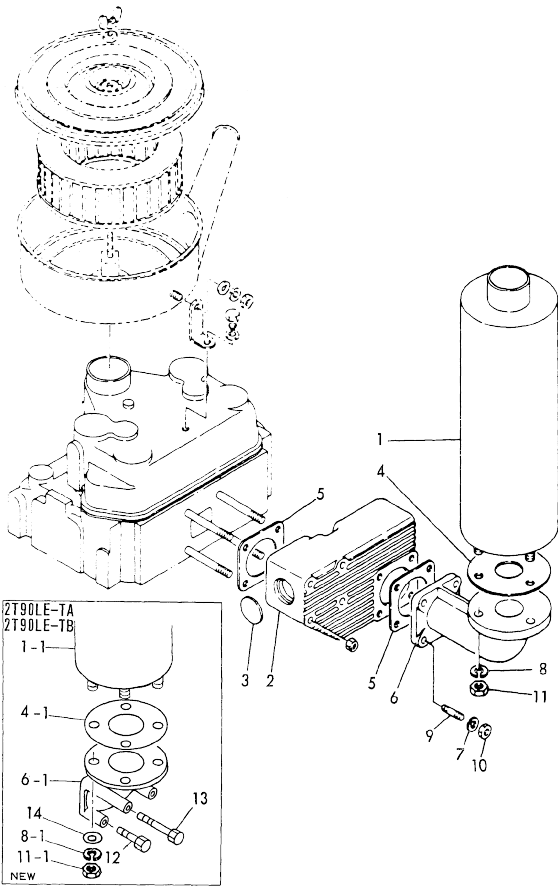


No.	Lev.	Parts No.	Description	Q'ty						I	R
				(A)	(B)	(C)	(D)	(E)	(F)		
1	1	124763-12500	CLEANER, AIR	1	1	1	1				
1-1	1	124763-12501	CLEANER, AIR	1	1	1	1				N
		(A=EXXX) (B=EXXX) (C=EXXX) (D=EXXX)									
3	2	124450-12510	ELEMENT	1	1	1	1				
3-1	2	124763-12510	ELEMENT	1	1	1	1				N
		(A=EXXX) (B=EXXX) (C=EXXX) (D=EXXX)									
4	2	101147-12550	NUT	1	1	1	1				
4-1	2	124450-12560	NUT	1	1	1	1				N
		(A=EXXX) (B=EXXX) (C=EXXX) (D=EXXX)									
5	2	124450-12570	WASHER	1	1	1	1				
5-1	2	124450-12571	WASHER	1	1	1	1				S
		(A=E/#G00300) (B=E/#G00300) (C=E/#G00300) (D=E/#G00300)									
7	1	124450-12520	RETAINER	1	1	1	1				
8	1	22137-080000	WASHER, 8	2	2	2	2				Z
		(A=EXXX) (B=EXXX) (C=EXXX) (D=EXXX)									
9	1	22217-080000	WASHER, SPRING 8	1	1	1	1				
10	1	26116-080142	BOLT M 8X 14 PLATED	1	1	1	1				
10-1	1	26106-080142	BOLT, M8X 14 PLATED	1	1	1	1				N
		(A=E/#83658) (B=E/#83658) (C=E/#83658) (D=E/#83658)									
11	1	26716-080002	NUT, M8	1	1	1	1				
11-1	1	26366-080002	NUT, M8	1	1	1	1				N
		(A=E/#83658) (B=E/#83658) (C=E/#83658) (D=E/#83658)									
12	1	129136-12600	LABEL, AIR CLEANER	1	1	1	1				W
		(A=E/#83898) (B=E/#83898) (C=E/#83898) (D=E/#83898)									

N:Old $\frac{New}{Old}$ New, Q:Old $\frac{New}{Old}$ New, R:Old $\frac{New}{Old}$ New, S:Old $\frac{New}{Old}$ New, W:Add, Z:Discontinued, F:Interchangeable by set, K:Qty Change
 Copyright (C) YANMAR CO., LTD. All Rights Reserved.

Fig.6. EXH.MANIFOLD & SILENCER

Fig.6 EXHAUST MANIFOLD & SILENCER



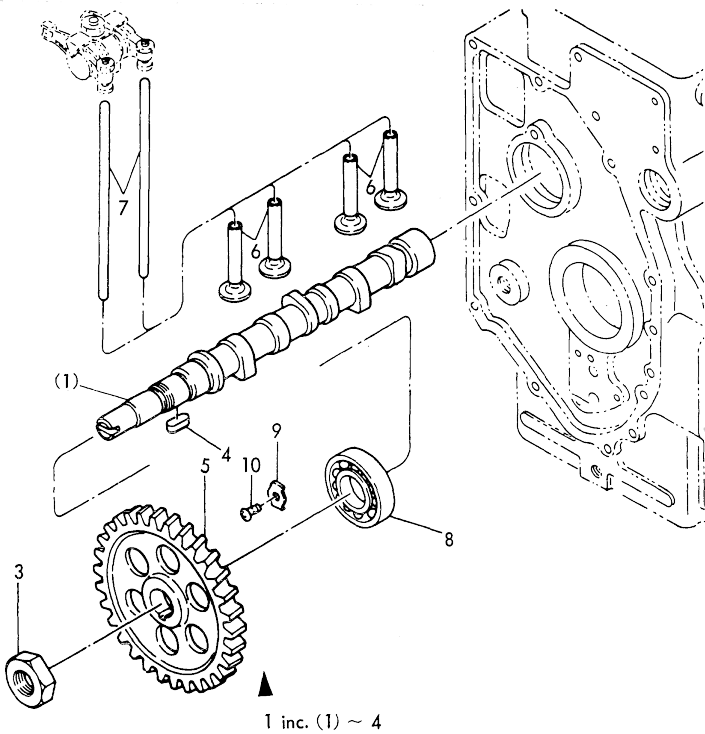
No.	Lev.	Parts No.	Description	Q'ty						I	R
				(A)	(B)	(C)	(D)	(E)	(F)		
1	1	124732-13510	SILENCER								
1-1	1	171010-13510	SILENCER (C=E/#83692) (D=E/#83692)	1	1	1	1				S
2	1	121420-13510	MANIFOLD, EXHAUST	1	1	1	1				
3	1	27233-350000	PLUG, 35	1	1	1	1				
3-1	1	27231-350000	PLUG 35	1	1	1	1				N
4	1	103954-13200	GASKET, SILENCER (A=E/XXX) (B=E/XXX) (C=E/XXX) (D=E/XXX)	1	1	1	1				
4-1	1	23446-040000	GASKET 40 (C=E/#83692) (D=E/#83692)			1	1				S
5	1	124701-11910	GASKET, SILENCER	2	2	2	2				
5-1	1	124701-11911	GASKET, SILENCER	2	2	2	2				N
6	1	124732-13550	PIPE (A=E/#83898) (B=E/#83898) (C=E/#83898) (D=E/#83898)	1	1	1	1				
6-1	1	171010-13211	BEND, EXHAUST (C=E/#83692) (D=E/#83692)			1	1				S
7	1	22217-080000	WASHER, SPRING 8 (C=E/#83692) (D=E/#83692)	4	4	4	4				Z
8	1	22217-100000	WASHER, SPRING 10 (C=E/#83692) (D=E/#83692)	3	3	3	3				
8-1	1	22217-100000	WASHER, SPRING 10 (C=E/#83692) (D=E/#83692)			4	4				K
9	1	26216-080252	STUD, M8X 25 (C=E/#83692) (D=E/#83692)	4	4	4	4				Z
10	1	26716-080002	NUT, M8 (C=E/#83692) (D=E/#83692)	4	4	4	4				Z
11	1	26736-100002	NUT, M10 (C=E/#83692) (D=E/#83692)	3	3	3	3				
11-1	1	26736-100002	NUT, M10 (C=E/#83692) (D=E/#83692)			4	4				K
12	1	26116-080452	BOLT, M8X 45 PLATED (C=E/#83692) (D=E/#83692)			2	2				W
13	1	26116-080952	BOLT, M8X 95 PLATED (C=E/#83692) (D=E/#83692)			2	2				W
14	1	22137-100000	WASHER, 10 (C=E/#83692) (D=E/#83692)			4	4				W

N:Old $\frac{100}{100}$ New, Q:Old $\frac{100}{100}$ New, R:Old $\frac{100}{100}$ New, S:Old $\frac{100}{100}$ New, W:Add, Z:Discontinued, F:Interchangeable by set, K:Q'ty Change
Copyright (C) YANMAR CO., LTD. All Rights Reserved.

OCR10-M41701

Fig.7. CAMSHAFT

Fig.7 CAMSHAFT



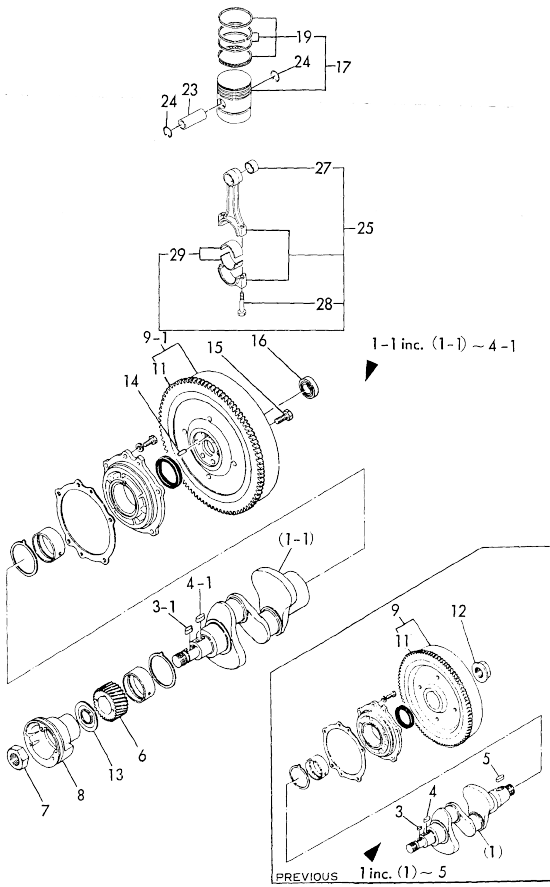
(A)=2T90LE
(B)=2T90LE-G1
(C)=2T90LE-TA
(D)=2T90LE-TB
(E)=
(F)=

No.	Lev.	Parts No.	Description	Q'ty						I	R
				(A)	(B)	(C)	(D)	(E)	(F)		
1	1	724465-14580	CAMSHAFT ASSY	1	1	1	1				
3	2	124450-14120	NUT	1	1	1	1				
4	2	22512-070180	KEY, 7X 18	1	1	1	1				
5	1	121250-14100	GEAR, CAMSHAFT	1	1	1	1				
6	1	103338-14200	TAPPET	4	4	4	4				
7	1	124450-14400	ROD, PUSH	4	4	4	4				
8	1	24101-062064	BEARING, BALL 6206	1	1	1	1				
8-1	1	172400-02410	BEARING, BALL 6206	1	1	1	1			N	
		(A=EXXX) (B=EXXX) (C=EXXX) (D=EXXX)									
9	1	121250-02450	RETAINER, BEARING	1	1	1	1				
10	1	26587-080122	SCREW, M8X12	1	1	1	1				

N:Old $\frac{100}{100}$ New, Q:Old $\frac{100}{100}$ New, R:Old $\frac{100}{100}$ New, S:Old $\frac{100}{100}$ New, W:Add, Z:Discontinued, F:Interchangeable by set, K:Q'ty Change
Copyright (C) YANMAR CO., LTD. All Rights Reserved.

Fig.8. PISTON & CRANKSHAFT

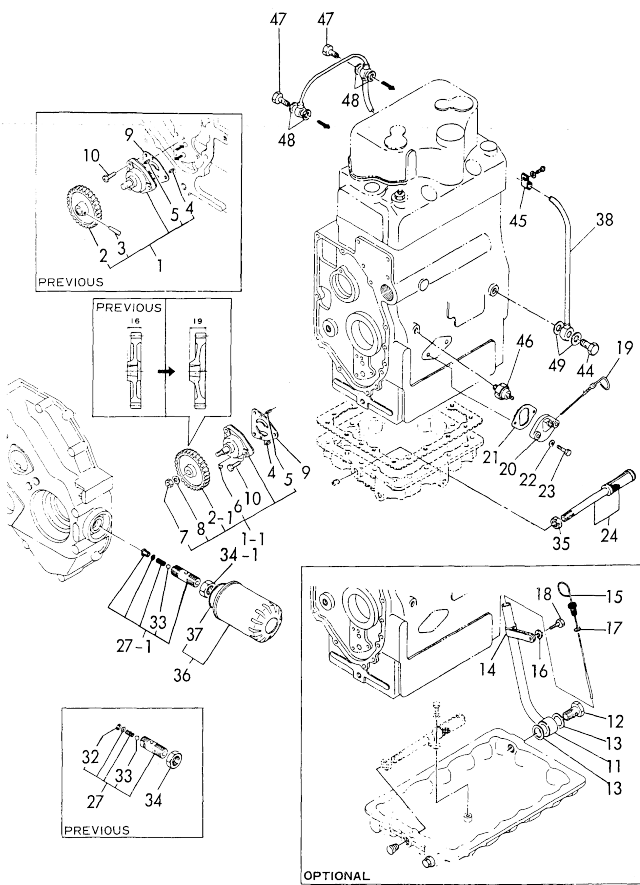
Fig.8 PISTON & CRANKSHAFT



No.	Lev.	Parts No.	Description	Q'ty						I	R
				(A)	(B)	(C)	(D)	(E)	(F)		
1	1	724450-21701	CRANKSHAFT ASSY	1	1	1	1				
1-1	1	724701-21700	CRANKSHAFT ASSY	1	1	1	1				S
		(A=E/#G00351) (B=E/#G00351) (C=E/#G00351) (D=E/#G00351)									
1-2	1	724701-21701	CRANKSHAFT ASSY	1	1	1	1				N
		(A=E/#83688) (B=E/#83688) (C=E/#83688) (D=E/#83688)									
3	2	22512-070240	KEY, 7X 24	1	1	1	1				
3-1	2	22512-070242	KEY, 7X 24	1	1	1	1				N
		(A=E/XXX) (B=E/XXX) (C=E/XXX) (D=E/XXX)									
4	2	22512-070280	KEY, 7X 28	1	1	1	1				
4-1	2	22512-070282	KEY, 7X 28	1	1	1	1				N
		(A=E/XXX) (B=E/XXX) (C=E/XXX) (D=E/XXX)									
5	2	22512-100360	KEY, 10X 36	1	1	1	1				Z
		(A=E/#G00351) (B=E/#G00351) (C=E/#G00351) (D=E/#G00351)									
6	1	121250-21200	GEAR, CRANKSHAFT	1	1	1	1				
7	1	124160-21670	NUT, M30	1	1	1	1				
8	1	124460-21651	V-PULLEY	1	1	1	1				
9	1	124701-21591	FLYWHEEL ASSY	1	1	1	1				
9-1	1	124701-21592	FLYWHEEL ASSY	1	1	1	1				S
		(A=E/#G00351) (B=E/#G00351) (C=E/#G00351) (D=E/#G00351)									
11	2	124550-21600	GEAR, RING	1	1	1	1				
12	1	124550-21530	NUT, END	1	1	1	1				Z
		(A=E/#G00351) (B=E/#G00351) (C=E/#G00351) (D=E/#G00351)									
13	1	124160-21700	DISC, OIL SHIELD	1	1	1	1				
14	1	124227-21920	PIN, PARALLEL	1	1	1	1				W
		(A=E/#G00351) (B=E/#G00351) (C=E/#G00351) (D=E/#G00351)									
15	1	124220-21130	BOLT	6	6	6	6				W
		(A=E/#G00351) (B=E/#G00351) (C=E/#G00351) (D=E/#G00351)									
16	1	24107-060054	BEARING, BALL 6005ZZ	1	1	1	1				
17	1	724768-22720	PISTON ASSY	2	2	2	2				
17-1	1	724768-22721	PISTON ASSY, D90	2	2	2	2				N
		(A=E/#00351) (B=E/#00351) (C=E/#00351) (D=E/#00351)									
17-2	1	121400-22090	PISTON ASSY	2	2	2	2				N
		(A=E/XXX) (B=E/XXX) (C=E/XXX) (D=E/XXX)									
19	2	724763-22500	RING SET, PISTON	2	2	2	2				
23	1	104600-22300	PIN, PISTON	2	2	2	2				
24	1	104600-22400	CIRCLIP	4	4	4	4				
25	1	724450-23100	ROD ASSY, CONNECTING	2	2	2	2				
27	2	124450-23100	BEARING, PISTON PIN	2	2	2	2				
28	2	124450-23200	BOLT, CONNECTING ROD	4	4	4	4				
29	2	124450-23300	BEARING, CRANK PIN	4	4	4	4				
29-1	2	124450-23301	BEARING, CRANK PIN	4	4	4	4				N
		(A=E/#83836) (B=E/#83836) (C=E/#83836) (D=E/#83836)									

Fig.9. LUBRICATING OIL SYSTEM

Fig.9 LUB. OIL SYSTEM

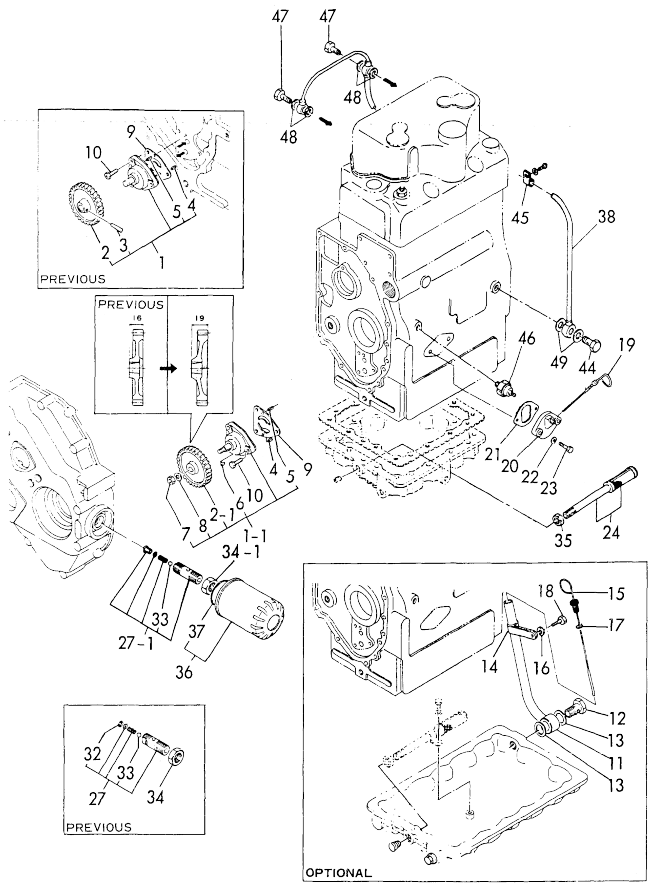


No.	Lev.	Parts No.	Description	Q'ty						I	R
				(A)	(B)	(C)	(D)	(E)	(F)		
1	1	124465-32000	PUMP ASSY, OIL	1	1	1	1				
1-1	1	724790-32100	PUMP ASSY, OIL	1	1	1	1				N
		(A)=E#G00324 (B)=E#G00324 (C)=E#G00324 (D)=E#G00324									
1-2	1	124790-32010	PUMP ASSY, OIL	1	1	1	1				N
		(A)=EXXX (B)=EXXX (C)=EXXX (D)=EXXX									
1-3	1	124790-32001	PUMP ASSY, OIL	1	1	1	1				N
		(A)=EXXX (B)=EXXX (C)=EXXX (D)=EXXX									
2	2	121250-32201	GEAR, OIL PUMP	1	1	1	1				
2-1	2	121390-32200	GEAR, OIL PUMP	1	1	1	1				S
		(A)=E#G00324 (B)=E#G00324 (C)=E#G00324 (D)=E#G00324									
3	2	22322-030220	PIN, TAPER 3X22	1	1	1	1				Z
		(A)=E#G00324 (B)=E#G00324 (C)=E#G00324 (D)=E#G00324									
4	2	22351-040008	PIN, SPRING 4.0X 8	1	1	1	1				
5	2	22351-040012	PIN, SPRING 4.0X 12	1	1	1	1				
6	2	22522-030100	KEY, WOODRUFF 3X10	1	1	1	1				W
		(A)=E#G00324 (B)=E#G00324 (C)=E#G00324 (D)=E#G00324									
7	2	26716-080002	NUT, M8	1	1	1	1				W
		(A)=E#G00324 (B)=E#G00324 (C)=E#G00324 (D)=E#G00324									
8	2	22217-080000	WASHER, SPRING 8	1	1	1	1				W
		(A)=E#G00324 (B)=E#G00324 (C)=E#G00324 (D)=E#G00324									
9	1	124450-32020	GASKET	1	1	1	1				
10	1	26116-060222	BOLT, M6X 22 PLATED	3	3	3	3				
10-1	1	26013-060222	BOLT, M6X 22	3	3	3	3				N
		(A)=E#H83658 (B)=E#H83658 (C)=E#H83658 (D)=E#H83658									
11	1	121400-34710	GUIDE, DIPSTICK	1	1	1	1				Z
		(A)=EXXX (B)=EXXX (C)=EXXX (D)=EXXX									
12	1	121400-34720	BOLT, M16	1	1	1	1				Z
		(A)=EXXX (B)=EXXX (C)=EXXX (D)=EXXX									
13	1	124770-34730	GASKET	2	2	2	2				Z
		(A)=EXXX (B)=EXXX (C)=EXXX (D)=EXXX									
14	1	121400-34750	RETAINER	1	1	1	1				Z
		(A)=EXXX (B)=EXXX (C)=EXXX (D)=EXXX									
15	1	121400-34801	DIPSTICK, OIL	1	1	1	1				Z
		(A)=EXXX (B)=EXXX (C)=EXXX (D)=EXXX									
16	1	22217-080000	WASHER, SPRING 8	1	1	1	1				Z
		(A)=EXXX (B)=EXXX (C)=EXXX (D)=EXXX									
17	1	24311-000100	O-RING, 1AP10.0	1	1	1	1				Z
		(A)=EXXX (B)=EXXX (C)=EXXX (D)=EXXX									
18	1	26117-080149	BOLT M 8X 14 PLATED	1	1	1	1				Z
		(A)=EXXX (B)=EXXX (C)=EXXX (D)=EXXX									
19	1	121236-34800	DIPSTICK, OIL	1	1	1	1				
20	1	124160-34831	BRACKET	1	1	1	1				
21	1	124160-34844	GASKET	1	1	1	1				
21-1	1	124160-34845	GASKET	1	1	1	1				N
		(A)=E#H83898 (B)=E#H83898 (C)=E#H83898 (D)=E#H83898									
22	1	22137-080000	WASHER, 8	2	2	2	2				Z
		(A)=EXXX (B)=EXXX (C)=EXXX (D)=EXXX									
23	1	26116-080252	BOLT, M8X 25 PLATED	2	2	2	2				
23-1	1	26106-080222	BOLT, M8X 22 PLATED	2	2	2	2				N
		(A)=E#H83658 (B)=E#H83658 (C)=E#H83658 (D)=E#H83658									
24	1	124732-35090	PIPE ASSY, OIL INLET	1	1	1	1				

N:Old $\frac{New}{Old}$ New, Q:Old $\frac{New}{Old}$ New, R:Old $\frac{New}{Old}$ New, S:Old $\frac{New}{Old}$ New, W:Add, Z:Discontinued, F:Interchangeable by set, K:Q'ty Change
 ++ CONTINUE ++
 Copyright (C) YANMAR CO., LTD. All Rights Reserved.

Fig.9. LUBRICATING OIL SYSTEM

Fig.9 LUB. OIL SYSTEM

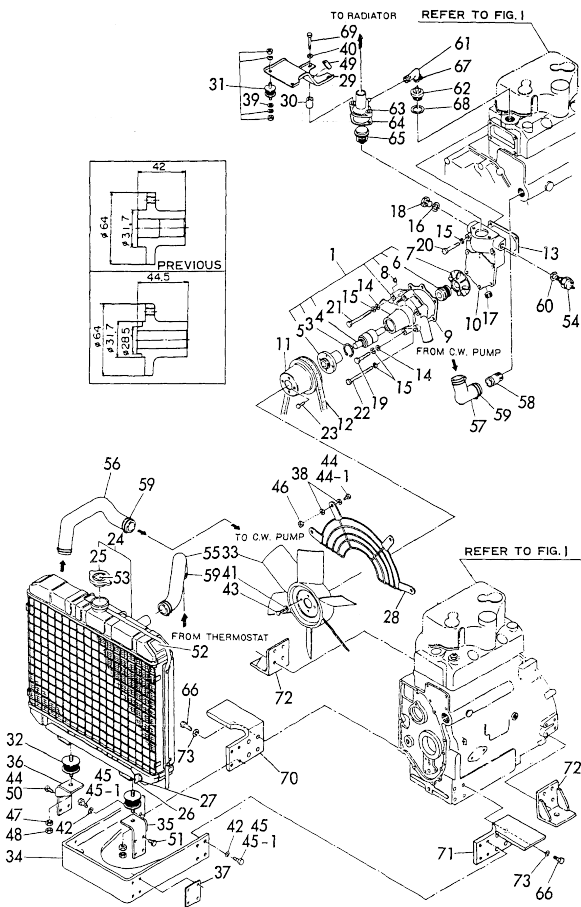


No.	Lev.	Parts No.	Description	Q'ty						I	R
				(A)	(B)	(C)	(D)	(E)	(F)		
27	1	124450-35301	VALVE ASSY, CONTROL	1	1	1	1				
27-1	1	121250-35300	VALVE ASSY, CONTROL	1	1	1	1				N
		(A=E/#G00335) (B=E/#G00335) (C=E/#G00335) (D=E/#G00335)									
27-2	1	124085-35300	VALVE ASSY, CONTROL	1	1	1	1				N
		(A=E/#83658) (B=E/#83658) (C=E/#83658) (D=E/#83658)									
32	2	22252-000100	RING, 10	1	1	1	1				Z
		(A=E/#G00335) (B=E/#G00335) (C=E/#G00335) (D=E/#G00335)									
33	2	24190-100001	BALL, STEEL 5/16	1	1	1	1				
34	1	124450-35350	NUT, LOCK	1	1	1	1				
34-1	1	124085-35350	NUT, M20	1	1	1	1				R
		(A=E/XXX) (B=E/XXX) (C=E/XXX) (D=E/XXX)									
35	1	124450-35070	NUT, PF1/4	1	1	1	1				
36	1	124550-35110	ELEMENT	1	1	1	1				
36-1	1	124085-35111	FILTER, OIL	1	1	1	1				N
		(A=E/#83898) (B=E/#83898) (C=E/#83898) (D=E/#83898)									
37	2	124450-35110	O-RING	1	1	1	1				
38	1	124465-39200	PIPE, OIL	1	1	1	1				
44	1	124160-39140	BOLT, PIPE JOINT M10	1	1	1	1				
45	1	124450-39240	RETAINER, PIPE	1	1	1	1				
46	1	121250-29450	SENSOR	1	1	1	1				
46-1	1	121252-39450	SWITCH, 0.5KG	1	1	1	1				N
		(A=E/XXX) (B=E/XXX) (C=E/XXX) (D=E/XXX)									
47	1	124550-59820	BOLT, PIPE JOINT M8	2	2	2	2				
48	1	23414-080000	GASKET, 8X1.0	4	4	4	4				
49	1	23414-100000	GASKET, 10X1.0	2	2	2	2				

N:Old $\frac{New}{Old}$ New, Q:Old $\frac{New}{Old}$ New, R:Old $\frac{New}{Old}$ New, S:Old $\frac{New}{Old}$ New, W:Add, Z:Discontinued, F:Interchangeable by set, K:Qty Change
 Copyright (C) YANMAR CO., LTD. All Rights Reserved.

Fig.10. COOLING WATER SYSTEM

Fig. 10 COOLING WATER SYSTEM

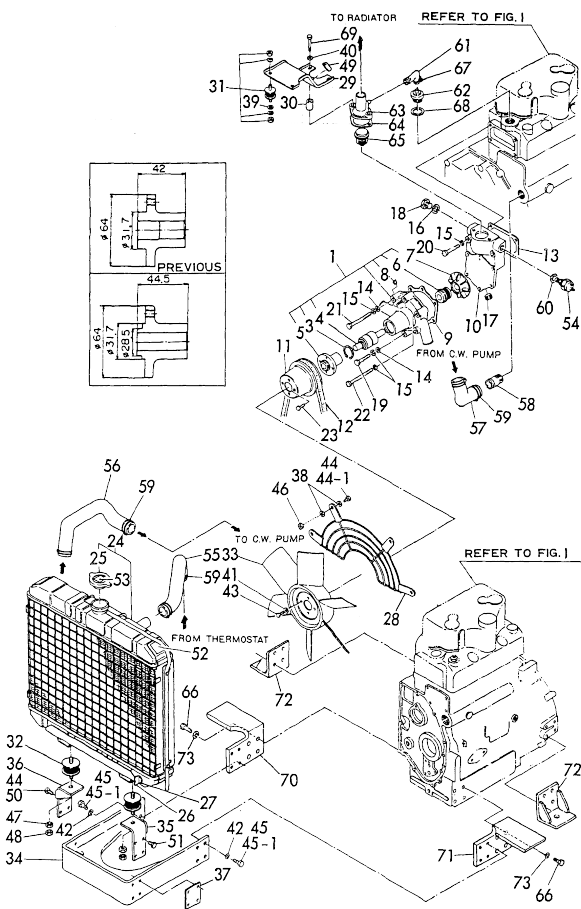


No.	Lev.	Parts No.	Description	Qty						I	R
				(A)	(B)	(C)	(D)	(E)	(F)		
1	1	121400-42100	PUMP ASSY, WATER	1	1	1	1				
1-1	1	121400-42101	PUMP ASSY, WATER	1	1	1	1				N
		(A=*1979.04) (B=*1979.04) (C=*1979.04) (D=*1979.04)									
1-2	1	121400-42102	PUMP ASSY, WATER	1	1	1	1				R
		(A=EXXX) (B=EXXX) (C=EXXX) (D=EXXX)									
3	2	121256-42170	CIRCLIP	1	1	1	1				
4	2	121256-42240	SHAFT	1	1	1	1				
5	2	121400-42261	FLANGE, V-PULLEY	1	1	1	1				
5-1	2	121400-42262	FLANGE, V-PULLEY	1	1	1	1				S
		(A=E#G08483) (B=E#G08483) (C=E#G08483) (D=E#G08483)									
5-2	2	121400-42263	FLANGE, V-PULLEY	1	1	1	1				N
		(A=EXXX) (B=EXXX) (C=EXXX) (D=EXXX)									
6	2	123482-43350	SEAL, MECHANICAL	1	1	1	1				
7	2	121256-42200	IMPELLER	1	1	1	1				
8	2	23873-020000	PLUG, R02	1	1	1	1				W
		(A=*1979.04) (B=*1979.04) (C=*1979.04) (D=*1979.04)									
8-1	2	23871-020000	PLUG, R02	1	1	1	1				N
		(A=EXXX) (B=EXXX) (C=EXXX) (D=EXXX)									
9	1	121256-42050	GASKET	1	1	1	1				
10	1	121400-42121	BRACKET, PUMP	1	1	1	1				
11	1	121400-42251	V-PULLEY	1	1	1	1				
11-1	1	121400-42252	V-PULLEY	1	1	1	1				S
		(A=E#G08483) (B=E#G08483) (C=E#G08483) (D=E#G08483)									
12	1	124732-42290	V-BELT, AX37	1	1	1	1				
13	1	124450-44410	GASKET	1	1	1	1				
14	1	22137-080000	WASHER, 8	6	6	6	6				Z
		(A=EXXX) (B=EXXX) (C=EXXX) (D=EXXX)									
15	1	22217-080000	WASHER, SPRING 8	8	8	8	8				
15-1	1	22217-080000	WASHER, SPRING 8	2	2	2	2				K
		(A=EXXX) (B=EXXX) (C=EXXX) (D=EXXX)									
16	1	23414-160000	GASKET, 16X1.0	1	1	1	1				
16-1	1	124465-44950	GASKET, 16	1	1	1	1				N
		(A=EXXX) (B=EXXX) (C=EXXX) (D=EXXX)									
17-1	1	23873-040000	PLUG, R04	1	1	1	1				
17-1	1	23871-040000	PLUG, R04	1	1	1	1				N
		(A=EXXX) (B=EXXX) (C=EXXX) (D=EXXX)									
18	1	23883-160002	PLUG, 16	1	1	1	1				
18-1	1	121450-42450	PLUG, M16	1	1	1	1				N
		(A=E#833898) (B=E#833898) (C=E#833898) (D=E#833898)									
19	1	26116-080452	BOLT, M8X 45 PLATED	4	4	4	4				
19-1	1	26106-080402	BOLT, M8X 40 PLATED	4	4	4	4				N
		(A=E#833658) (B=E#833658) (C=E#833658) (D=E#833658)									
20	1	26116-080502	BOLT, M8X 50 PLATED	2	2	2	2				
20-1	1	26106-080502	BOLT, M8X 50 PLATED	2	2	2	2				N
		(A=E#833658) (B=E#833658) (C=E#833658) (D=E#833658)									
21	1	26116-080852	BOLT, M8X 85 PLATED	1	1	1	1				
21-1	1	26106-080822	BOLT M 8X 82 PLATED	1	1	1	1				N
		(A=E#833658) (B=E#833658) (C=E#833658) (D=E#833658)									
22	1	26116-080902	BOLT, M8X 90 PLATED	1	1	1	1				
22-1	1	26106-080822	BOLT M 8X 82 PLATED	1	1	1	1				N
		(A=E#833658) (B=E#833658) (C=E#833658) (D=E#833658)									

N:Old $\frac{New}{Old}$ New, Q:Old $\frac{New}{Old}$ New, R:Old $\frac{New}{Old}$ New, S:Old $\frac{New}{Old}$ New, W:Add, Z:Discontinued, F:Interchangeable by set, K:Qty Change
 ++ CONTINUE ++
 Copyright (C) YANMAR CO., LTD. All Rights Reserved.

Fig.10. COOLING WATER SYSTEM

Fig. 10 COOLING WATER SYSTEM

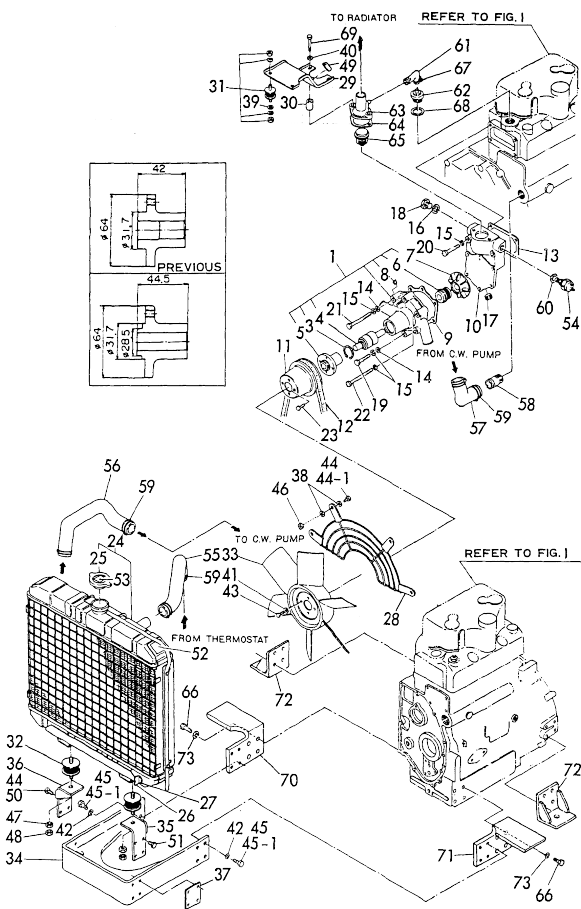


No.	Lev.	Parts No.	Description	Q'ty						I	R
				(A)	(B)	(C)	(D)	(E)	(F)		
23	1	26116-060182	BOLT, M6X 18 PLATED	4	4	4	4				
23-1	1	26116-060122	BOLT, M6X 12 PLATED	4	4	4	4				S
		(A=E/#G08483) (B=E/#G08483) (C=E/#G08483) (D=E/#G08483)									
23-2	1	26104-060182	BOLT M 6X 18	4	4	4	4				N
		(A=E/#83831) (B=E/#83831) (C=E/#83831) (D=E/#83831)									
24A	1	124701-44501	RADIATOR	1	1						
24B	1	171001-44501	RADIATOR			1	1				
25	2	124450-44590	CAP. RADIATOR	1	1	1	1				
25-1	2	123682-44210	CAP. RADIATOR	1	1	1	1				N
		(A=E/XXXX) (B=E/XXXX) (C=E/XXXX) (D=E/XXXX)									
26	1	124550-44690	COCK, WATER	1	1	1	1				
26-1	1	124060-44510	COCK, DRAIN	1	1	1	1				N
		(A=E/XXXX) (B=E/XXXX) (C=E/XXXX) (D=E/XXXX)									
27	1	124060-44520	GASKET	1	1	1	1				W
		(A=E/XXXX) (B=E/XXXX) (C=E/XXXX) (D=E/XXXX)									
28	1	121400-44510	NET, WIRE	1	1	1	1				
29	1	121400-44621	SUPPORT, RADIATOR	1	1						
30	1	121400-44630	SPACER	2	2						
31	1	121400-44640	ABSORBER	2	2						
32	1	121400-44650	ABSORBER	2	2						
33	1	121400-44740	FAN, COOLING	1	1	1	1				
34	1	121400-44952	BRACKET, RADIATOR	1	1						
35	1	121400-44961	FOOT	1	1						
35-1	1	121400-44962	BRACKET, RADIATOR	1	1						R
		(A=E/#83658) (B=E/#83658)									
36	1	124701-44971	BRACKET, RADIATOR	1	1						
37	1	124701-44980	SPACER	1	1						
38	1	22137-080000	WASHER, 8	8	8						Z
		(A=E/XXXX) (B=E/XXXX)									
39	1	22137-100000	WASHER, 10	2	2						Z
		(A=E/XXXX) (B=E/XXXX)									
40	1	22157-080000	WASHER, 8	2	2						
41	1	22217-060000	WASHER, SPRING 6	4	4						Z
		(A=E/XXXX) (B=E/XXXX)									
42	1	22217-080000	WASHER, SPRING 8	8	8						
42-1	1	22217-080000	WASHER, SPRING 8	4	4						K
		(A=E/#83863) (B=E/#83863)									
43	1	26116-060182	BOLT, M6X 18 PLATED	4	4	4	4				
43-1	1	26014-060182	BOLT, M6X 18	4	4	4	4				N
		(A=E/#83831) (B=E/#83831) (C=E/#83831) (D=E/#83831)									
44	1	26116-080162	BOLT, M8X 16 PLATED	8	8						
44-1	1	26106-080142	BOLT, M8X 14 PLATED	4	4						N
		(A=E/#83658) (B=E/#83658)									
45	1	26116-080252	BOLT, M8X 25 PLATED	12	12						
45-1	1	26116-080252	BOLT, M8X 25 PLATED	8	8						K
		(A=E/XXXX) (B=E/XXXX)									
46	1	26716-080002	NUT, M8	4	4	4	4				
46-1	1	26366-080002	NUT, M8	4	4	4	4				N
		(A=E/#83658) (B=E/#83658) (C=E/#83658) (D=E/#83658)									
47	1	26716-100002	NUT, M10	2	2						
47-1	1	26706-100002	NUT, M10	2	2						N

N:Old $\frac{New}{Old}$ New, Q:Old $\frac{New}{Old}$ New, R:Old $\frac{New}{Old}$ New, S:Old $\frac{New}{Old}$ New, W:Add, Z:Discontinued, F:Interchangeable by set, K:Q'ty Change
 ++ CONTINUE ++
 Copyright (C) YANMAR CO., LTD. All Rights Reserved.

Fig.10. COOLING WATER SYSTEM

Fig. 10 COOLING WATER SYSTEM

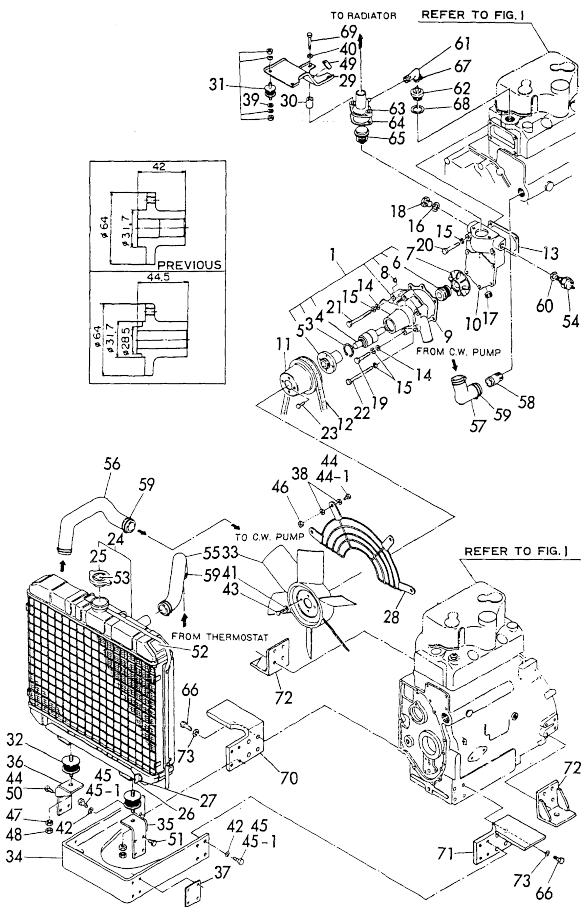


No.	Lev.	Parts No.	Description	Q'ty						I	R
				(A)	(B)	(C)	(D)	(E)	(F)		
		(A=E/#83658) (B=E/#83658)									
48	1	26756-100002	NUT, LOCK M10	2	2						
48-1	1	26796-100002	NUT, LOCK M10	2	2						N
		(A=E/#83658) (B=E/#83658)									
49	1	121400-44610	PAD	1	1	1	1				W
		(A=1980.10) (B=1980.10) (C=1980.10) (D=1980.10)									
49-1	1	121400-44660	PAD	1	1	1	1				N
		(A=E/#83658) (B=E/#83658) (C=E/#83658) (D=E/#83658)									
50	1	26106-080162	BOLT, M8X 16 PLATED	4	4	4	4				W
		(A=E/#83658) (B=E/#83658) (C=E/#83658) (D=E/#83658)									
51	1	26106-080252	BOLT, M8X 25 PLATED	4	4						W
		(A=E/#83658) (B=E/#83658)									
52	1	121400-44900	LABEL	1	1						W
		(A=E/XXXX) (B=E/XXXX)									
53	1	121400-44910	LABEL	1	1						W
		(A=E/XXXX) (B=E/XXXX)									
54	1	121250-44900	SWITCH	1	1	1	1				
54-1	1	121250-44901	SWITCH, 110	1	1	1	1				N
		(A=1980.02) (B=1980.02) (C=1980.02) (D=1980.02)									
55	1	121400-49011	PIPE, WATER	1	1	1	1				
56	1	121400-49021	PIPE, WATER	1	1	1	1				
57	1	124701-49030	HOSE, RUBBER	1	1	1	1				
58	1	124160-49480	JOINT, PIPE	1	1	1	1				
59	1	23010-038000	CLAMP, 38	6	6	6	6				
60	1	23414-160000	GASKET, 16X1.0	1	1	1	1				
60-1	1	124465-44950	GASKET, 16	1	1	1	1				N
		(A=E/XXXX) (B=E/XXXX) (C=E/XXXX) (D=E/XXXX)									
61	1	124701-49250	PIPE	1	1	1	1				
61-1	1	121400-49250	PIPE, WATER	1	1	1	1				N
		(A=E/#83863) (B=E/#83863) (C=E/#83863) (D=E/#83863)									
62	1	124732-49260	JOINT	1	1	1	1				
62-1	1	121120-49261	CONNECTOR	1	1	1	1				N
		(A=E/#83863) (B=E/#83863) (C=E/#83863) (D=E/#83863)									
63	1	124732-49530	COVER, THERMOSTAT	1	1	1	1				
63-1	1	124732-49531	COVER, THERMOSTAT	1	1	1	1				N
		(A=E/XXXX) (B=E/XXXX) (C=E/XXXX) (D=E/XXXX)									
64	1	124736-49540	GASKET	1	1	1	1				
64-1	1	129350-49540	GASKET	1	1	1	1				N
		(A=E/XXXX) (B=E/XXXX) (C=E/XXXX) (D=E/XXXX)									
64-2	1	129350-49541	GASKET	1	1	1	1				N
		(A=E/#83898) (B=E/#83898) (C=E/#83898) (D=E/#83898)									
65	1	124790-49800	THERMOSTAT	1	1	1	1				
66	1	26116-120302	BOLT, M12X 30 PLATED	8	8	8	8				
67	1	23000-019000	CLAMP, 19	2	2	2	2				
68	1	23414-270035	GASKET, 27X1.0	1	1	1	1				
68-1	1	23414-250031	GASKET, 25X1.0	1	1	1	1				N
		(A=E/XXXX) (B=E/XXXX) (C=E/XXXX) (D=E/XXXX)									
69	1	26226-080482	BOLT M 8X 48	2	2	2	2				
69-1	1	26106-080452	BOLT, M8X 45 PLATED	2	2	2	2				N
		(A=E/#83658) (B=E/#83658) (C=E/#83658) (D=E/#83658)									
70A	1	121400-08101	FOOT	1	1						

N:Old $\frac{New}{Old}$ New, Q:Old $\frac{New}{Old}$ New, R:Old $\frac{New}{Old}$ New, S:Old $\frac{New}{Old}$ New, W:Add, Z:Discontinued, F:Interchangeable by set, K:Q'ty Change
 ++ CONTINUE ++
 Copyright (C) YANMAR CO., LTD. All Rights Reserved.

Fig.10. COOLING WATER SYSTEM

Fig. 10 COOLING WATER SYSTEM

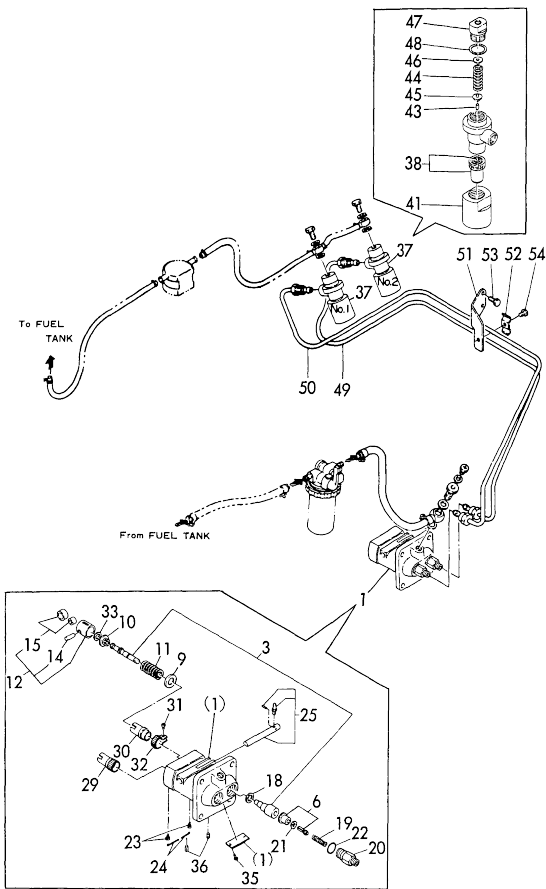


No.	Lev.	Parts No.	Description	Q'ty					
				(A)	(B)	(C)	(D)	(E)	(F)
70B	1	171010-08100	FOOT			1	1		
71A	1	121400-08111	FOOT	1	1				
71B	1	171010-08110	FOOT			1	1		
72	1	121400-08120	FOOT	2	2	2	2		
73	1	22217-120000	WASHER, SPRING 12	8	8	8	8		

N:Old $\frac{100}{100}$ New, Q:Old $\frac{100}{100}$ New, R:Old $\frac{100}{100}$ New, S:Old $\frac{100}{100}$ New, W:Add, Z:Discontinued, F:Interchangeable by set, K:Q'ty Change
 Copyright (C) YANMAR CO., LTD. All Rights Reserved.

Fig.11. FUEL INJECTION DEVICE

Fig. 11 FUEL INJECTION DEVICE

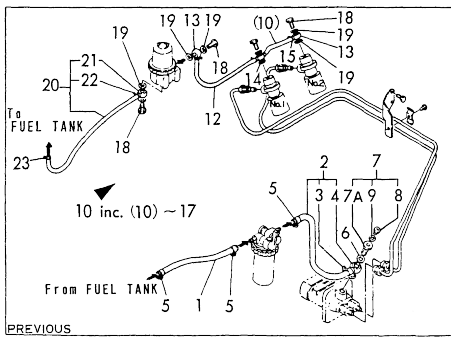
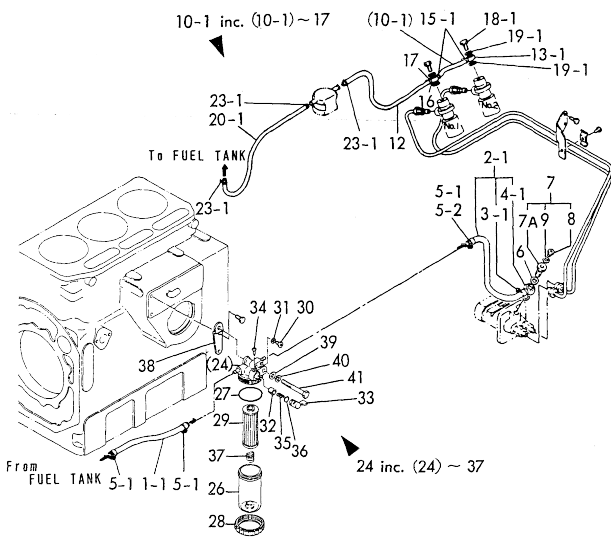


No.	Lev.	Parts No.	Description	Q'ty						I	R
				(A)	(B)	(C)	(D)	(E)	(F)		
1A	1	724701-51700	PUMP ASSY, INJECTION	1							
1B	1	724781-51700	PUMP ASSY, INJECTION		1						
2	2	124550-51011	BODY, FUEL PUMP	1	1	1	1				
3	2	124560-51100	PLUNGER ASSY	2	2	2	2				
6	2	124550-51301	VALVE ASSY, DELIVERY	2	2	2	2				
9	2	174307-51170	RETAINER, SPRING A	2	2	2	2				
10	2	174307-51180	RETAINER, SPRING	2	2	2	2				
10-1	2	174307-51181	RETAINER, SPRING B	2	2	2	2				N
		(A=E-XXXX) (B=E-XXXX) (C=E-XXXX) (D=E-XXXX)									
11	2	174307-51190	SPRING, PLUNGER	2	2	2	2				
12	2	724550-51520	GUIDE, PLUNGER	2	2	2	2				
14	3	174100-54120	PIN	2	2	2	2				
15	3	711100-51540	ROLLER ASSY	2	2	2	2				
18	2	174307-51270	GASKET	2	2	2	2				
19	2	124550-51320	SPRING, DELIVERY	2	2	2	2				
20	2	124550-51341	HOLDER, DELIVERY L43	2	2	2	2				
21	2	124550-51350	GASKET, DELIVERY	2	2	2	2				
22	2	124550-51370	O-RING	2	2	2	2				
23	2	174307-51450	PIECE	2	2	2	2				
24	2	174307-51460	PIN, LOCK	1	1	1	1				
24-1	2	174307-51460	PIN, LOCK	2	2	2	2				N
		(A=E-XXXX) (B=E-XXXX) (C=E-XXXX) (D=E-XXXX)									
25	2	724240-51530	RACK ASSY, CONTROL	1	1	1	1				
29	2	174307-51510	SLEEVE	1	1	1	1				
30	2	174307-51550	SLEEVE, PINION	1	1	1	1				
31	2	122117-51560	SCREW	1	1	1	1				
32	2	174307-51560	PINION	1	1	1	1				
32-1	2	774307-51490	PINION ASSY	1	1	1	1				N
		(A=E-XXXX) (B=E-XXXX) (C=E-XXXX) (D=E-XXXX)									
33	2	174307-51700	SHIM SET	2	2	2	2				
35	2	22624-230030	RIVET 2.3X 3	2	2	2	2				
35-1	2	124220-51890	RIVET	2	2	2	2				N
		(A=E-XXXX) (B=E-XXXX) (C=E-XXXX) (D=E-XXXX)									
36	2	174307-51250	PIN, LOCK	2	2	2	2				
37	1	724770-53100	VALVE ASSY, INJECTION	2	2	2	2				
38	2	124770-53000	VALVE ASSY, INJECTION	2	2	2	2				
41	2	104900-53080	NUT, NOZZLE	2	2	2	2				
43	2	113200-53110	SPINDLE, INTER	2	2	2	2				
44	2	103854-53120	SPRING, NOZZLE	2	2	2	2				
45	2	113200-53120	RETAINER, SPRING	2	2	2	2				
46	2	110250-53150	PLATE ASSY, ADJUST	2	2	2	2				
47	2	103854-53180	RETAINER, SPRING	2	2	2	2				
48	2	172100-53200	GASKET	2	2	2	2				
49	1	124465-59810	PIPE ASSY, INJECTION	1	1	1	1				
50	1	124465-59800	PIPE ASSY, INJECTION	1	1	1	1				
51	1	124756-59850	BRACKET	1	1	1	1				
52	1	124450-59860	RETAINER, PIPE	1	1	1	1				
53	1	26116-060102	BOLT, M6X 10 PLATED	2	2	2	2				
54	1	26557-060082	SCREW, M6X 8	1	1	1	1				

N:Old $\frac{New}{Old}$ New, Q:Old $\frac{New}{Old}$ New, R:Old $\frac{New}{Old}$ New, S:Old $\frac{New}{Old}$ New, W:Add, Z:Discontinued, F:Interchangeable by set, K:Q'ty Change
Copyright (C) YANMAR CO., LTD. All Rights Reserved.

Fig.12. FUEL OIL LINE

Fig. 12 FUEL LINE

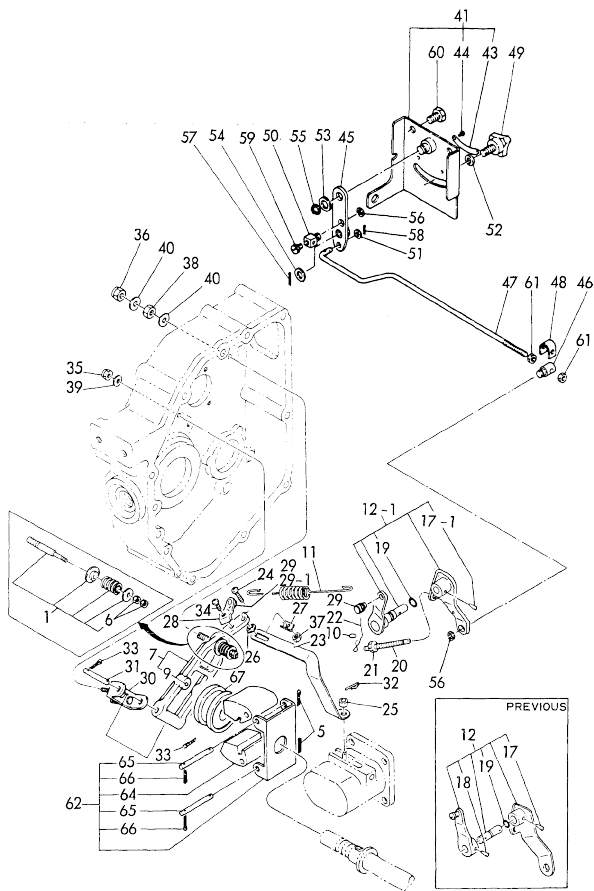


No.	Lev.	Parts No.	Description	Q'ty						I	R
				(A)	(B)	(C)	(D)	(E)	(F)		
23	1	124722-59050	CLIP, HOSE 9	1	1	1	1				
23-1	1	124060-77680	CLIP, HOSE 10	3	3	3	3				S
		(A=E#G00504) (B=E#G00504) (C=E#G00504) (D=E#G00504)									
24	1	121250-55600	STRAINER ASSY, FUEL	1	1	1	1				
24-1	1	121254-55600	STRAINER ASSY, FUEL	1	1	1	1				N
		(A=E) (B=E) (C=E) (D=E)									
26	2	124550-55510	COVER	1	1	1	1				
26-1	2	121254-55510	COVER	1	1	1	1				N
		(A=E) (B=E) (C=E) (D=E)									
27	2	102103-55520	O-RING	1	1	1	1				
28	2	110250-55610	RING, RETAINING	1	1	1	1				
29	2	124550-55700	FILTER, FUEL L=90	1	1	1	1				
30	2	101720-55750	PLUG, 6	2	2	2	2				
31	2	23418-060000	GASKET, 6X1.0	2	2	2	2				
32	2	104200-55320	VALVE, TAPER	1	1	1	1				
32-1	2	104200-55321	VALVE, TAPER	1	1	1	1				N
		(A=E) (B=E) (C=E) (D=E)									
33	2	104200-55340	HANDLE	1	1	1	1				
33-1	2	104200-55341	HANDLE	1	1	1	1				N
		(A=E) (B=E) (C=E) (D=E)									
34	2	104200-55750	SCREW, M4	1	1	1	1				
35	2	104200-55330	SPRING, VALVE	1	1	1	1				
36	2	24311-240100	O-RING, 1AP10A	1	1	1	1				
37	2	121250-55620	SPRING	1	1	1	1				
38	1	124701-55610	BRACKET, STRAINER	1	1	1	1				
39	1	22117-080000	WASHER, 8	1	1	1	1				Z
		(A=E) (B=E) (C=E) (D=E)									
40	1	22217-080000	WASHER, SPRING 8	1	1	1	1				Z
		(A=E) (B=E) (C=E) (D=E)									
41	1	26116-080652	BOLT, M8X 65 PLATED	1	1	1	1				
41-1	1	26106-080602	BOLT, M8X 60 PLATED	1	1	1	1				N
		(A=E#83658) (B=E#83658) (C=E#83658) (D=E#83658)									

N:Old $\frac{New}{Old}$ New, Q:Old $\frac{New}{Old}$ New, R:Old $\frac{New}{Old}$ New, S:Old $\frac{New}{Old}$ New, W:Add, Z:Discontinued, F:Interchangeable by set, K:Q'ty Change
 Copyright (C) YANMAR CO., LTD. All Rights Reserved.

Fig.13. GOVERNOR

Fig. 13 GOVERNOR

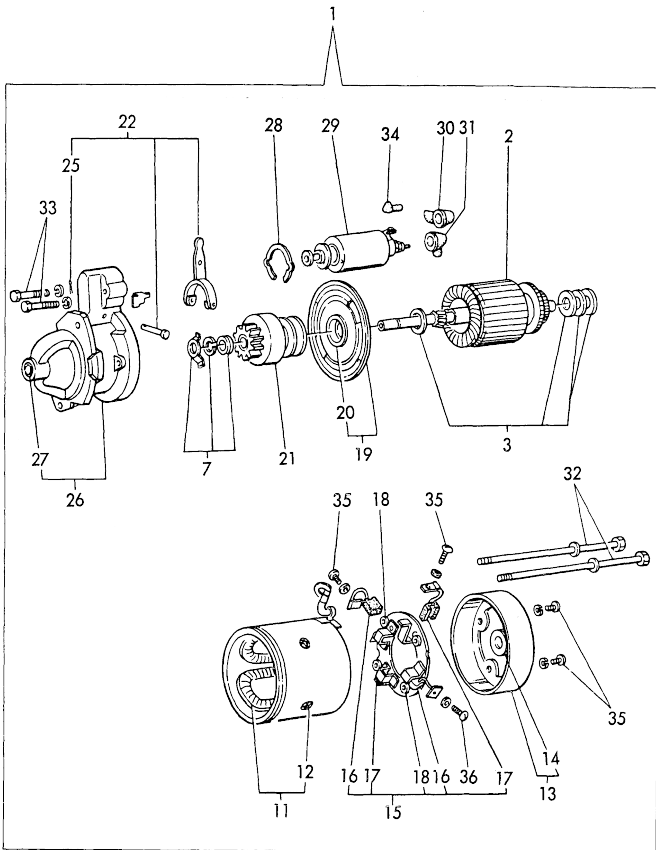


No.	Lev.	Parts No.	Description	Qty						I	R
				(A)	(B)	(C)	(D)	(E)	(F)		
40	1	43400-500410	SEAL WASHER 8	2	2	2	2				
41	1	121400-66190	BRACKET ASSY	1	1	1					
43	2	121400-66130	LABEL, INDICATION	1	1	1					
44	2	22625-140040	RIVET 1.4X 4	2	2	2	2				
45	1	121400-66090	HANDLE	1	1	1					
46	1	121400-66120	PIVOT	1	1	1					
47	1	121400-66140	ROD	1	1	1					
48	1	121400-66170	WASHER	1	1	1					
49	1	101204-66211	KNOB	1	1	1					
50	1	124756-67510	RETAINER	1	1	1					
51	1	22117-050000	WASHER, 5	1	1	1					
52	1	22117-060000	WASHER, 6	1	1	1					Z
		(A=E-XXXX) (B=E-XXXX) (C=E-XXXX)									
53	1	22117-100000	WASHER, 10	1	1	1					
54	1	22137-080000	WASHER, 8	1	1	1					
55	1	22242-000100	RING, 10	1	1	1					
56	1	22272-000070	RING, E- 7	2	2	2					
57	1	22417-120100	PIN, COTTER 1.2X10	1	1	1					
58	1	22417-200120	COTTER PIN 2.0X12	1	1	1					
59	1	26117-040088	BOLT M 4X 8 PLATED	1	1	1					
60	1	26116-080122	BOLT, M8X 12 PLATED	2	2	2					
60-1	1	26106-080122	BOLT, M8X 12 PLATED	2	2	2					N
		(A=E-XXXX) (B=E-XXXX) (C=E-XXXX)									
61	1	26756-050002	NUT, LOCK M5	2	2	2					
61-1	1	26116-040088	BOLT, M4X 8 PLATED	1	1	1					N
		(A=E-XXXX) (B=E-XXXX) (C=E-XXXX)									
62	1	724450-61520	SUPPORT ASSY, WEIGHT	1	1	1	1				
64	2	124450-61200	WEIGHT, GOVERNOR	2	2	2	2				
65	2	124450-61220	PIN, GOVERNOR WEIGHT	2	2	2	2				
66	2	22411-200200	COTTER PIN 2.0X20	4	4	4	4				
66-1	2	22417-200200	PIN, COTTER 2.0X20	4	4	4	4				R
		(A=E-XXXX) (B=E-XXXX) (C=E-XXXX) (D=E-XXXX)									
66-2	2	22417-200100	COTTER PIN 2.0X10	4	4	4	4				N
		(A=E-XXXX) (B=E-XXXX) (C=E-XXXX) (D=E-XXXX)									
67	1	121250-61600	SLEEVE	1	1	1	1				

N:Old $\frac{New}{Old}$ New, Q:Old $\frac{New}{Old}$ New, R:Old $\frac{New}{Old}$ New, S:Old $\frac{New}{Old}$ New, W:Add, Z:Discontinued, F:Interchangeable by set, K:Qty Change
 Copyright (C) YANMAR CO., LTD. All Rights Reserved.

Fig.14. STARTING MOTOR(S12-23)(PREVIOUS)

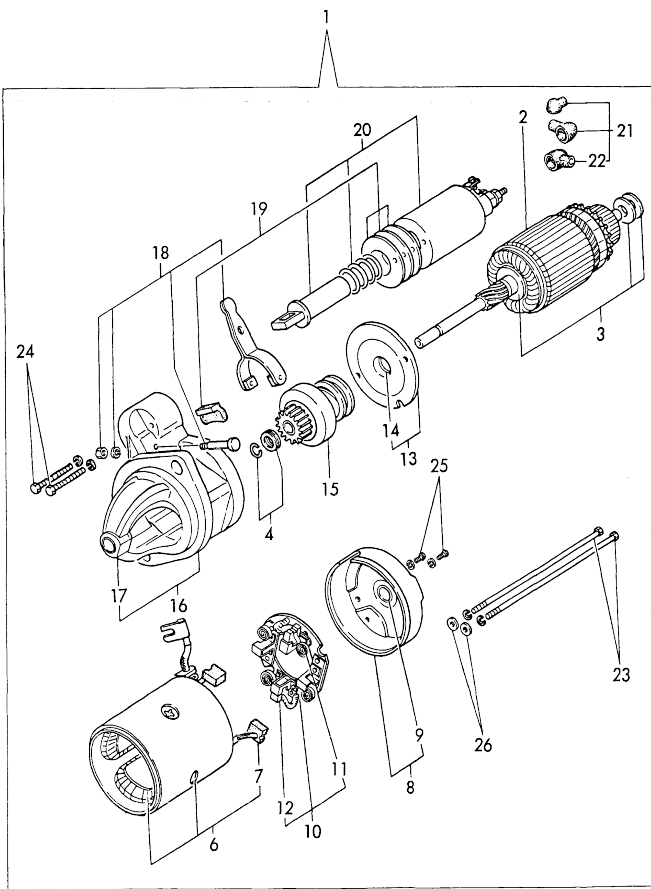
Fig. 14 STARTING MOTOR (TYPE:S12-23) (PREVIOUS)



No.	Lev.	Parts No.	Description	Q'ty						I	R
				(A)	(B)	(C)	(D)	(E)	(F)		
1	1	124250-77010	STARTER, S12-23	1	1	1	1			Z	
		(A=E#G00365) (B=E#G00365) (C=E#G00365) (D=E#G00365)									
2	2	X21207100	ARMATURE ASSY	1	1	1	1				
3	2	X21201115	WASHER SET, THRUST	1	1	1	1				
7	2	X21143155	STOOPER SET, PINION	1	1	1	1				
11	3	X21202259	COIL ASSY, FIELD	1	1	1	1				
12	4	X21142215	SCREW	4	4	4	4				
13	2	X21202350	COVER ASSY, REAR	1	1	1	1				
14	3	X21204302	METAL, COVER BEARING	1	1	1	1				
15	2	X21203305Y	HOLDER ASSY, BRUSH	1	1	1	1				
16	3	X21207311	BRUSH (+)	2	2	2	2				
17	3	X21205312	BRUSH (-)	2	2	2	2				
18	3	X21201313	SPRING, BRUSH	4	4	4	4				
19	2	X21205400	BEARING ASSY	1	1	1	1				
20	3	X21204401	METAL,CENTER BEARING	1	1	1	1				
21	2	X21205550	PINION ASSY	1	1	1	1				
22	2	X21201605	LEVER	1	1	1	1				
25	3	22417-200200	PIN, COTTER 2.0X20	1	1	1	1				
26	2	X21205650	CASE ASSY, GEAR	1	1	1	1				
27	3	X21202601	METAL, GEAR CASE	1	1	1	1				
28	2	X21204610	COVER, DUST	1	1	1	1				
29	2	X2120M6700Y	MAGNETIC SWITCH	1	1	1	1				
30	2	X21201742	COVER, RUBBER	1	1	1	1				
31	2	X21201744	COVER, RUBBER	1	1	1	1				
32	2	X21204810	BOLT, THROUGH	2	2	2	2				
33	2	X21201815Y	BOLT	2	2	2	2				
34	2	X21201836	COVER, RUBBER	1	1	1	1				
35	2	26557-040082	SCREW, M4X 8	6	6	6	6				

Fig.15. STARTING MOTOR(S12-52)(PREVIOUS)

Fig. 15 STARTING MOTOR (TYPE:S12-52) (PREVIOUS)

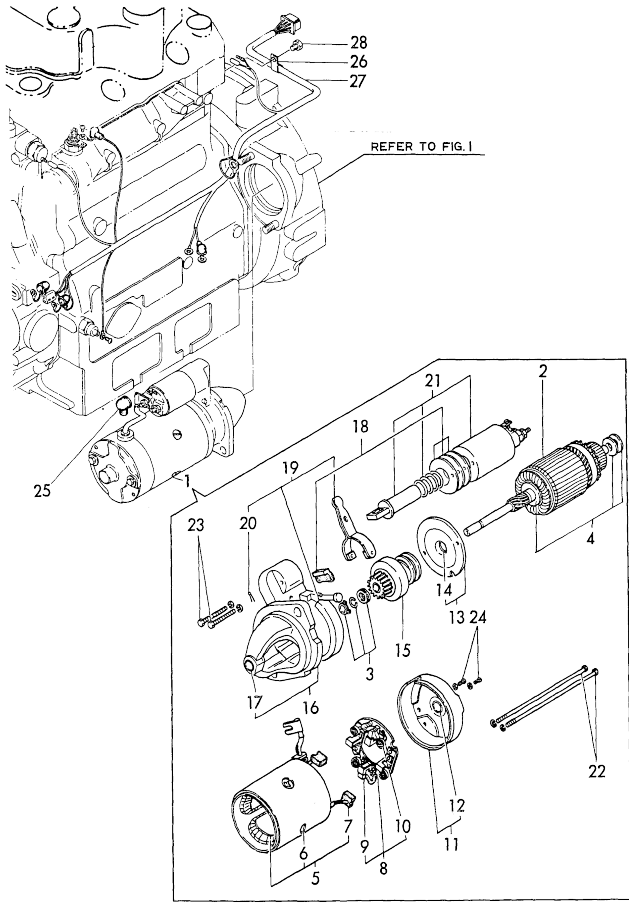


No.	Lev.	Parts No.	Description	Q'ty						I	R
				(A)	(B)	(C)	(D)	(E)	(F)		
1	1	124250-77011 (A=E#G00366)	STARTER, S12-52 (B=E#G00366) (C=E#G00366) (D=E#G00366)	1	1	1	1				Z
2	2	X21204150	ARMATURE ASSY	1	1	1	1				
3	2	X21201115	WASHER SET, THRUST	1	1	1	1				
4	2	X22506105	STOPPER SET, PINION	1	1	1	1				
6	2	X21204220	COIL ASSY, FIELD	1	1	1	1				
7	3	X21208311	BRUSH (+)	2	2	2	2				
8	2	X21307300	COVER ASSY, REAR	1	1	1	1				
9	3	X21301310	METAL, COVER BEARING	1	1	1	1				
10	2	X21205305	HOLDER ASSY, BRUSH	1	1	1	1				
11	3	X21304313	SPRING, BRUSH	4	4	4	4				
12	3	X21206312	BRUSH (-)	2	2	2	2				
13	2	X21303400	BEARING ASSY	1	1	1	1				
14	3	X21204401	METAL, CENTER BEARING	1	1	1	1				
15	2	X212045001	PINION ASSY	1	1	1	1				
16	2	X212086002	CASE ASSY, GEAR	1	1	1	1				
17	3	X21301310	METAL, COVER BEARING	1	1	1	1				
18	2	X21307605	LEVER	1	1	1	1				
19	2	X21302610	COVER SET, DUST	1	1	1	1				
19-1	2	X21306610 (A=E-XXXX) (B=E-XXXX) (C=E-XXXX) (D=E-XXXX)	COVER SET, DUST	1	1	1	1				R
20	2	X21306700	SWITCH ASSY, MAGNETO	1	1	1	1				
21	2	X21202803	COVER SET	1	1	1	1				
23	2	X21206810	BOLT, THROUGH	2	2	2	2				
24	2	X21202815	BOLT	2	2	2	2				
25	2	26557-040082	SCREW, M4X 8	2	2	2	2				
26	2	X21301827	WASHER	2	2	2	2				

N:Old $\frac{New}{Old}$ New, Q:Old $\frac{New}{Old}$ New, R:Old $\frac{New}{Old}$ New, S:Old $\frac{New}{Old}$ New, W:Add, Z:Discontinued, F:Interchangeable by set, K:Qty Change
 Copyright (C) YANMAR CO., LTD. All Rights Reserved.

Fig.16. STARTING MOTOR(S12-77)

Fig. 16 STARTING MOTOR (TYPE: S12-77)

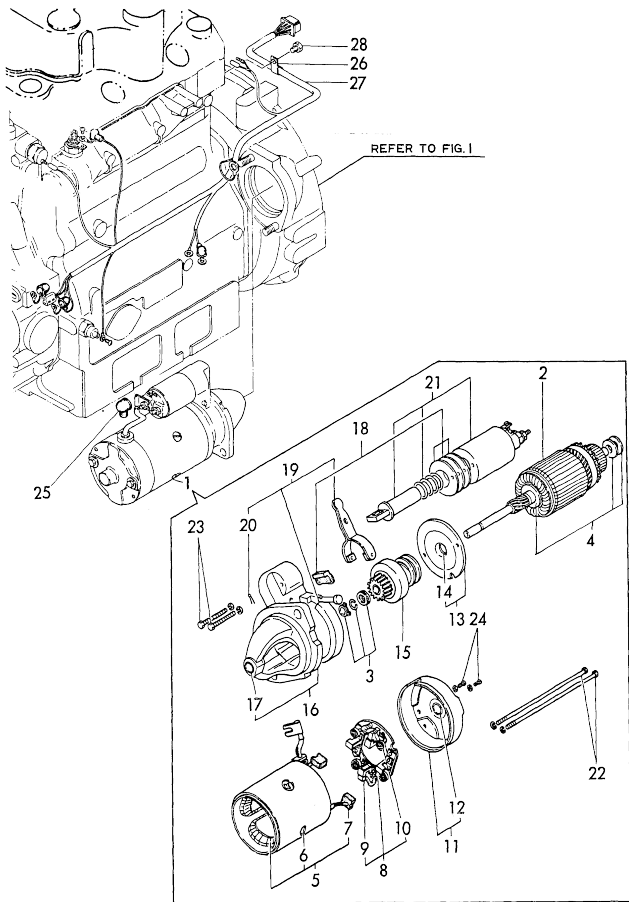


No.	Lev.	Parts No.	Description	Q'ty						I	R
				(A)	(B)	(C)	(D)	(E)	(F)		
1	1	124250-77012	STARTER, S12-77A	1	1	1	1			W	
		(A=E/#G00367) (B=E/#G00367) (C=E/#G00367) (D=E/#G00367)									
2	2	X21207100	ARMATURE ASSY	1	1	1	1				
2-1	2	124250-77500	ARMATURE ASSY	1	1	1	1			R	
		(A=E/#83898) (B=E/#83898) (C=E/#83898) (D=E/#83898)									
3	2	X21201110	STOPPER SET, PINION	1	1	1	1				
3-1	2	124250-77070	STOPPER SET, PINION	1	1	1	1			R	
		(A=E/#83898) (B=E/#83898) (C=E/#83898) (D=E/#83898)									
4	2	X21201115	WASHER SET	1	1	1	1				
4-1	2	124250-77510	WASHER KIT	1	1	1	1			R	
		(A=E/#83898) (B=E/#83898) (C=E/#83898) (D=E/#83898)									
5	2	X21204259	COIL ASSY, FIELD	1	1	1	1				
5-1	2	124250-77110	COIL ASSY, FIELD	1	1	1	1			R	
		(A=E/#83898) (B=E/#83898) (C=E/#83898) (D=E/#83898)									
6	3	X21142215	SCREW SET, PORE CORE	4	4	4	4				
6-1	3	124250-77120	SCREW SET, PORE CORE	4	4	4	4			R	
		(A=E/#83898) (B=E/#83898) (C=E/#83898) (D=E/#83898)									
7	3	X21209311	BRUSH (+)	2	2	2	2				
7-1	3	124250-77130	BRUSH (+)	2	2	2	2			R	
		(A=E/#83898) (B=E/#83898) (C=E/#83898) (D=E/#83898)									
8	2	X21205310	HOLDER ASSY, BRUSH	1	1	1	1				
8-1	2	124250-77160	HOLDER ASSY, BRUSH	1	1	1	1			R	
		(A=E/#83898) (B=E/#83898) (C=E/#83898) (D=E/#83898)									
9	3	X21207312	BRUSH (-)	2	2	2	2				
9-1	2	124250-77170	BRUSH (-)	2	2	2	2			R	
		(A=E/#83898) (B=E/#83898) (C=E/#83898) (D=E/#83898)									
10	3	X21201313	SPRING, BRUSH	4	4	4	4				
10-1	3	124250-77180	SPRING, BRUSH	4	4	4	4			R	
		(A=E/#83898) (B=E/#83898) (C=E/#83898) (D=E/#83898)									
11	2	X22501300	COVER ASSY, REAR	1	1	1	1				
11-1	2	124250-77140	COVER ASSY, REAR	1	1	1	1			R	
		(A=E/#83898) (B=E/#83898) (C=E/#83898) (D=E/#83898)									
12	3	X21204302	METAL, COVER BEARING	1	1	1	1				
12-1	2	124250-77150	METAL, REAR COVER	1	1	1	1			R	
		(A=E/#83898) (B=E/#83898) (C=E/#83898) (D=E/#83898)									
13	2	X21205400	BEARING ASSY, CENTER	1	1	1	1				
13-1	2	124250-77190	BEARING ASSY, CENTER	1	1	1	1			R	
		(A=E/#83898) (B=E/#83898) (C=E/#83898) (D=E/#83898)									
14	3	X21204401	BEARING	1	1	1	1				
14-1	2	124250-77520	BEARING	1	1	1	1			R	
		(A=E/#83898) (B=E/#83898) (C=E/#83898) (D=E/#83898)									
15	2	X212045001	PINION ASSY	1	1	1	1				
15-1	2	124250-77210	PINION ASSY	1	1	1	1			R	
		(A=E/#83898) (B=E/#83898) (C=E/#83898) (D=E/#83898)									
16	2	X21205650	CASE ASSY, GEAR	1	1	1	1				
16-1	2	124250-77220	CASE ASSY, GEAR	1	1	1	1			R	
		(A=E/#83898) (B=E/#83898) (C=E/#83898) (D=E/#83898)									
17	3	X21202601	METAL, GEAR CASE	1	1	1	1				
17-1	3	124250-77230	METAL, GEAR CASE	1	1	1	1			R	
		(A=E/#83898) (B=E/#83898) (C=E/#83898) (D=E/#83898)									
18	2	X21202602	COVER SET, DUST	1	1	1	1				

N:Old $\frac{New}{Old}$ New, Q:Old $\frac{New}{Old}$ New, R:Old $\frac{New}{Old}$ New, S:Old $\frac{New}{Old}$ New, W:Add, Z:Discontinued, F:Interchangeable by set, K:Q'ty Change
 ++ CONTINUE ++
 Copyright (C) YANMAR CO., LTD. All Rights Reserved.

Fig.16. STARTING MOTOR(S12-77)

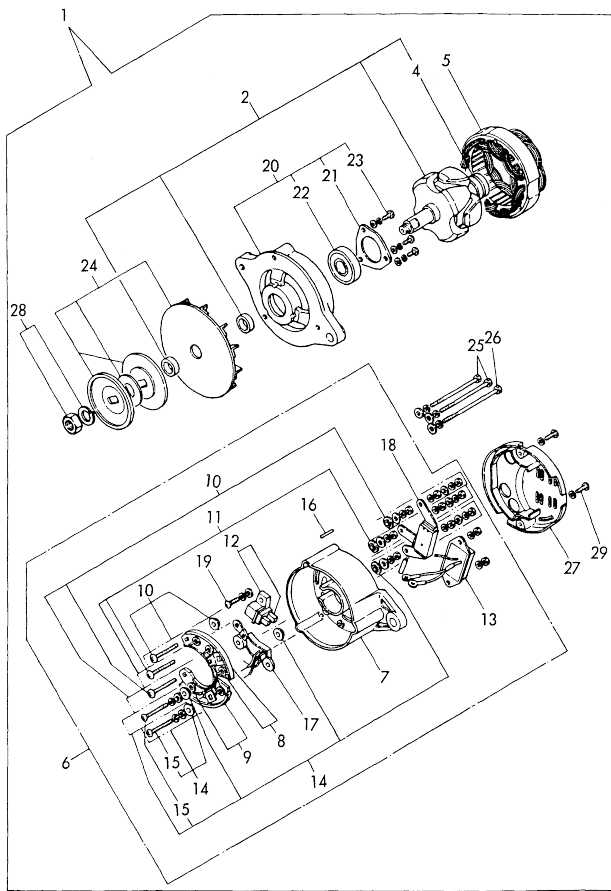
Fig.16 STARTING MOTOR (TYPE:S12-77)



No.	Lev.	Parts No.	Description	Q'ty						I	R
				(A)	(B)	(C)	(D)	(E)	(F)		
18-1	2	124250-77240 (A=E/#83898) (B=E/#83898)	COVER SET, DUST (C=E/#83898) (D=E/#83898)	1	1	1	1				R
19	2	X21201605	LEVER SET, SHIFT	1	1	1	1				R
19-1	2	124250-77270 (A=E/#83898) (B=E/#83898)	LEVER SET, SHIFT (C=E/#83898) (D=E/#83898)	1	1	1	1				R
20	3	22417-200200	PIN, COTTER 2.0X20	1	1	1	1				R
20-1	3	124250-77290 (A=E/#83898) (B=E/#83898)	COTTER PIN 2.0X20 (C=E/#83898) (D=E/#83898)	1	1	1	1				R
21	2	X212037002	SWITCH, MAGNETIC	1	1	1	1				R
21-1	2	124250-77310 (A=E/#83898) (B=E/#83898)	SWITCH, MAGNETIC (C=E/#83898) (D=E/#83898)	1	1	1	1				R
22	2	X21204810	BOLT, THROUGH	2	2	2	2				R
22-1	2	124250-77320 (A=E/#83898) (B=E/#83898)	BOLT, THROUGH (C=E/#83898) (D=E/#83898)	2	2	2	2				R
23	2	X21145866	BOLT M 6X 32 PLATED	2	2	2	2				R
23-1	2	26106-060322 (A=E/#83898) (B=E/#83898)	BOLT, M6X 32 PLATED (C=E/#83898) (D=E/#83898)	2	2	2	2				R
24	2	26557-040122	SCREW, M4X12	2	2	2	2				R
24-1	2	26557-040122 (A=E/#83898) (B=E/#83898)	SCREW, M4X12 (C=E/#83898) (D=E/#83898)	2	2	2	2				R
25	1	124550-77030	COVER, TERMINAL	1	1	1	1				
26	1	103884-03160	SUPPORT	1	1						
27	1	121400-77920	HARNESS, WIRE	1	1	1	1				
27-1	1	121400-77921 (A=E/#00490) (B=E/#00490)	HARNESS, WIRE (C=E/#00490) (D=E/#00490)	1	1	1	1				S
28	1	26116-080102	BOLT, M8X 10 PLATED	1	1						
28-1	1	26106-080102 (A=E/#83658) (B=E/#83658)	BOLT, M8X 10 PLATED	1	1						N

Fig.17. GENERATOR(LR135-31)(PREVIOUS)

Fig. 17 GENERATOR (TYPE:LR135-31) (PREVIOUS)

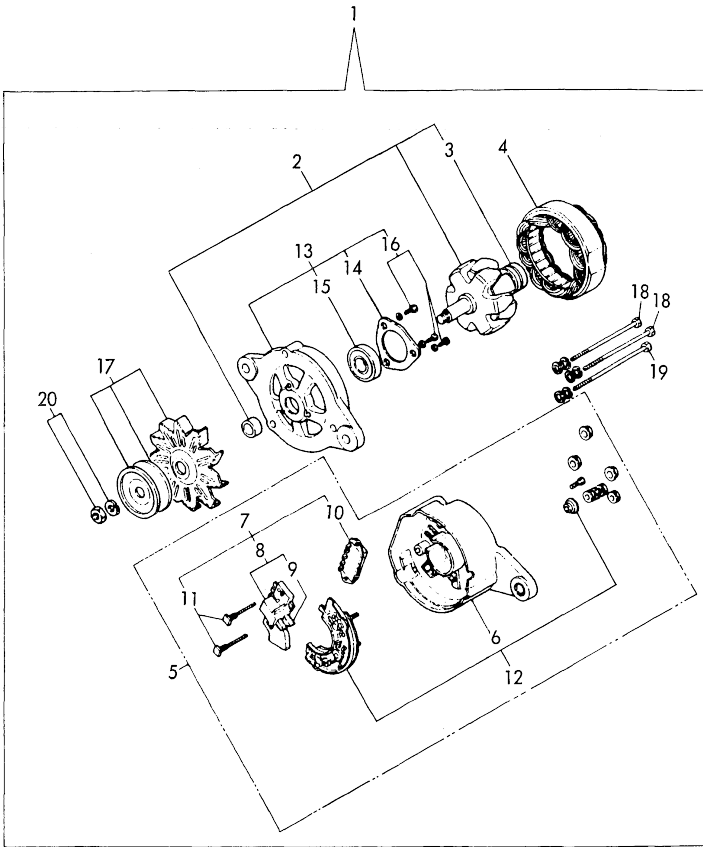


No.	Lev.	Parts No.	Description	Q'ty						I	R
				(A)	(B)	(C)	(D)	(E)	(F)		
1	1	121370-77200 (A=E/#00489)	GENERATOR, LR135-31 (C=E/#00489)	1	1	1	1			Z	
2	2	XLR135Y1100	ROTOR ASSY	1	1	1	1				
4	3	X6201SD	BALL BEARING	1	1	1	1				
5	2	XL135Y1200	STATOR ASSY	1	1	1	1				
6	2	XL135Y1300	COVER ASSY, REAR	1	1	1	1				
7	3	XL135Y1301	COVER, REAR	1	1	1	1				
8	3	XL135Y1302	SR HOLDER (+)	1	1	1	1				
9	3	XL135Y1303	SR HOLDER (-)	1	1	1	1				
10	3	XL135Y1310	TERMINAL ASSY	2	2	2	2				
11	3	XL135Y1311	TERMINAL ASSY	1	1	1	1				
12	3	XL135Y13200	BRUSH ASSY.	1	1	1	1				
13	3	XTR1Z28	REGULATOR	1	1	1	1				
14	3	XL135Y1803	SCREW SET	2	2	2	2				
15	4	26557-050362	SCREW M 5X 36	2	2	2	2				
16	3	XL135Y1810	LOCK, BEARING	1	1	1	1				
17	3	XMV11305	CONTROL UNIT, FIELD	1	1	1	1				
18	3	XMV11306	CR ASSY	1	1	1	1				
19	3	26557-050162	SCREW, M5X16	1	1	1	1				
20	2	XL135Y1400	COVER ASSY, FRONT	1	1	1	1				
21	3	XL135Y1401	RETAINER, BEARING	1	1	1	1				
22	3	X6302BM	BALL BEARING	1	1	1	1				
23	3	26557-040122	SCREW, M4X12	3	3	3	3				
24	2	XL135Y1531	PULLEY ASSY	1	1	1	1				
25	2	XL135Y1801	BOLT, THROUGH	2	2	2	2				
26	2	XL135Y1802	BOLT, THROUGH	1	1	1	1				
27	2	XL135Y1820	COVER	1	1	1	1				
28	2	XB444001A	NUT SET, PULLEY	1	1	1	1				
29	2	26557-050102	SCREW, M5X10	1	1	1	1				

N:Old $\frac{100}{100}$ New, Q:Old $\frac{100}{100}$ New, R:Old $\frac{100}{100}$ New, S:Old $\frac{100}{100}$ New, W:Add, Z:Discontinued, F:Interchangeable by set, K:Q'ty Change
 Copyright (C) YANMAR CO., LTD. All Rights Reserved.

Fig.18. GENERATOR(LR120-15)(PREVIOUS)

Fig. 18 GENERATOR (TYPE:LR120-15) (PREVIOUS)

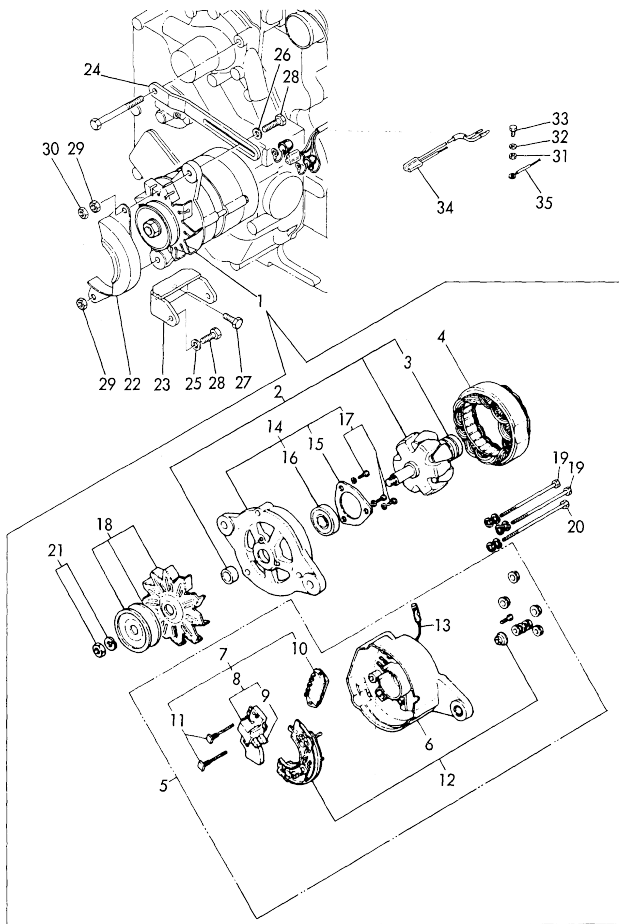


No.	Lev.	Parts No.	Description	Q'ty						I	R
				(A)	(B)	(C)	(D)	(E)	(F)		
1	1	121400-77200 (A=E#00490)	GENERATOR, 12V-20A (B=E#00490) (C=E#00490) (D=E#00490)	1	1	1	1			Z	
2	2	XL12031001	ROTOR ASSY	1	1	1	1				
3	3	X6201SD	BALL BEARING	1	1	1	1				
4	2	XL1209200	STATOR ASSY	1	1	1	1				
5	2	XL12063001	COVER ASSY, REAR	1	1	1	1				
6	3	XL12013011	COVER, REAR	1	1	1	1				
7	3	XL12013173	REGULATOR	1	1	1	1				
8	4	XL1208326	BRUSH ASSY	1	1	1	1				
9	4	XL12013262	BRUSH	2	2	2	2				
10	4	XTR1Z44	IC REGULATOR	1	1	1	1				
11	4	XL13513134	BOLT	2	2	2	2				
12	3	XL13513203	DIODE	1	1	1	1				
13	2	XL1202401	COVER ASSY, FRONT	1	1	1	1				
14	3	XL13514041	RETAINER	1	1	1	1				
15	3	X6202B	BALL BEARING	1	1	1	1				
15-1	3	X6202BM	BALL BEARING	1	1	1	1				R
		(A=E-XXXX) (B=E-XXXX) (C=E-XXXX) (D=E-XXXX)									
16	3	XL12010001	SCREW KIT	1	1	1	1				
17	2	XL1201510	PULLEY	1	1	1	1				
18	2	XL160M18021	BOLT, THROUGH	2	2	2	2				
19	2	XL1602801Y	BOLT, THROUGH	1	1	1	1				
20	2	X495469B	NUT SET	1	1	1	1				

N:Old $\frac{100}{100}$ New, Q:Old $\frac{100}{100}$ New, R:Old $\frac{100}{100}$ New, S:Old $\frac{100}{100}$ New, W:Add, Z:Discontinued, F:Interchangeable by set, K:Q'ty Change
 Copyright (C) YANMAR CO., LTD. All Rights Reserved.

Fig.19. GENERATOR(LR120-15C)

Fig. 19 GENERATOR (TYPE:LR120-15C)

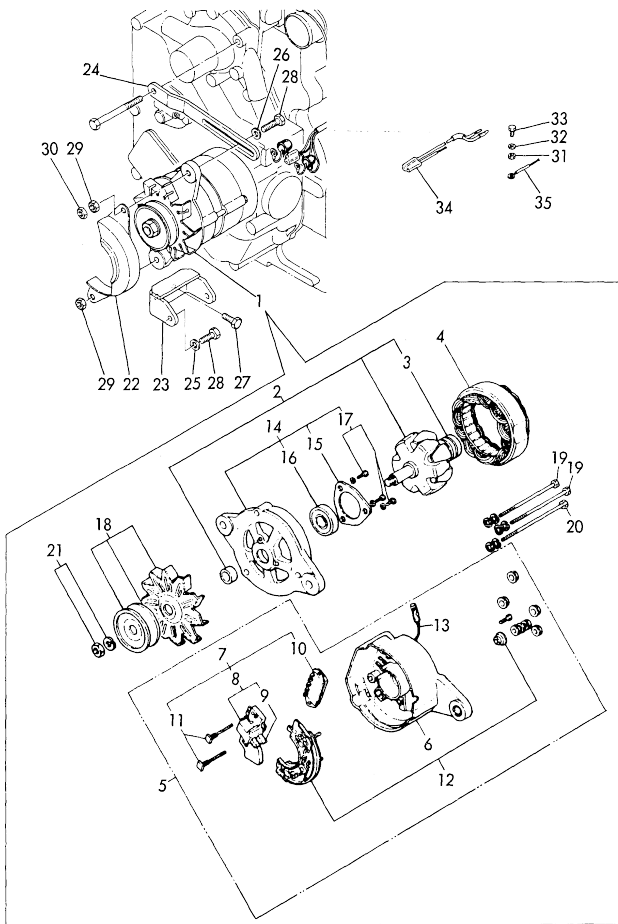


No.	Lev.	Parts No.	Description	Q'ty						I	R
				(A)	(B)	(C)	(D)	(E)	(F)		
1	1	121400-77201 (A=E/#00491)	GENERATOR, LR120-15C (B=E/#00491) (C=E/#00491) (D=E/#00491)	1	1	1	1				W
2	2	XL12031001	ROTOR ASSY	1	1	1	1				
3	3	X6201SD	BALL BEARING	1	1	1	1				
3-1	3	124080-77490 (A=E/#83658)	BALL BEARING (B=E/#83658) (C=E/#83658) (D=E/#83658)	1	1	1	1				R
4	2	XL1209200	STATOR ASSY	1	1	1	1				
5	2	XL1353002	COVER ASSY, REAR	1	1	1	1				
5-1	2	124080-77330 (A=E/#83658)	COVER ASSY (B=E/#83658) (C=E/#83658) (D=E/#83658)	1	1	1	1				R
6	3	XL12033011	COVER, REAR	1	1	1	1				
6-1	3	124080-77340 (A=E/#83658)	COVER, REAR (B=E/#83658) (C=E/#83658) (D=E/#83658)	1	1	1	1				R
7	3	XL13513152	BRUSH ASSY,REGULATOR	1	1	1	1				
7-1	3	124080-77350 (A=E/#83658)	BRUSH ASSY,REGULATOR (B=E/#83658) (C=E/#83658) (D=E/#83658)	1	1	1	1				R
8	4	XL1354326	BRUSH ASSY	1	1	1	1				
8-1	4	124080-77360 (A=E/#83658)	BRUSH ASSY (B=E/#83658) (C=E/#83658) (D=E/#83658)	1	1	1	1				R
9	4	XL12013262	BRUSH	2	2	2	2				
9-1	4	124080-77380 (A=E/#83658)	BRUSH (B=E/#83658) (C=E/#83658) (D=E/#83658)	2	2	2	2				R
10	4	XTR1Z63	REGULATOR ASSY	1	1	1	1				
10-1	4	124080-77390 (A=E/#83658)	REGULATOR ASSY (B=E/#83658) (C=E/#83658) (D=E/#83658)	1	1	1	1				R
11	4	XL13513134	BOLT M 5	2	2	2	2				
11-1	4	124080-77520 (A=E/#83658)	BOLT M 5 (B=E/#83658) (C=E/#83658) (D=E/#83658)	2	2	2	2				R
12	3	XL13513203	DIODE ASSY	1	1	1	1				
12-1	3	124080-77400 (A=E/#83658)	DIODE ASSY (B=E/#83658) (C=E/#83658) (D=E/#83658)	1	1	1	1				R
13	3	XL1356360	WIRE ASSY, LEAD	1	1	1	1				
13-1	3	124080-77530 (A=E/#83658)	WIRE ASSY, LEAD (B=E/#83658) (C=E/#83658) (D=E/#83658)	1	1	1	1				R
14	2	XL1202401	COVER ASSY, FRONT	1	1	1	1				
14-1	2	124080-77420 (A=E/#83658)	COVER ASSY (B=E/#83658) (C=E/#83658) (D=E/#83658)	1	1	1	1				R
15	3	XL13514041	RETAINER	1	1	1	1				
15-1	3	124080-77430 (A=E/#83658)	RETAINER, BEARING (B=E/#83658) (C=E/#83658) (D=E/#83658)	1	1	1	1				R
16	3	X6202BM	BALL BEARING	1	1	1	1				
16-1	3	124080-77480 (A=E/#83658)	BEARING, 6202DDU (B=E/#83658) (C=E/#83658) (D=E/#83658)	1	1	1	1				R
17	3	XL12010001	SCREW KIT	1	1	1	1				
17-1	3	124080-77500 (A=E/#83658)	SCREW KIT (B=E/#83658) (C=E/#83658) (D=E/#83658)	1	1	1	1				R
18	2	XL1201510	PULLEY ASSY	1	1	1	1				
18-1	2	124080-77440 (A=E/#83658)	PULLEY ASSY (B=E/#83658) (C=E/#83658) (D=E/#83658)	1	1	1	1				R
19	2	XL1254801	BOLT, THROUGH	2	2	2	2				
19-1	2	124080-77450 (A=E/#83658)	BOLT, THROUGH (B=E/#83658) (C=E/#83658) (D=E/#83658)	2	2	2	2				R

N:Old *New, Q:Old *New, R:Old *New, S:Old *New, W:Add, Z:Discontinued, F:Interchangeable by set, K:Q'ty Change
 ++ CONTINUE ++
 Copyright (C) YANMAR CO., LTD. All Rights Reserved.

Fig.19. GENERATOR(LR120-15C)

Fig. 19 GENERATOR (TYPE:LR120-15C)

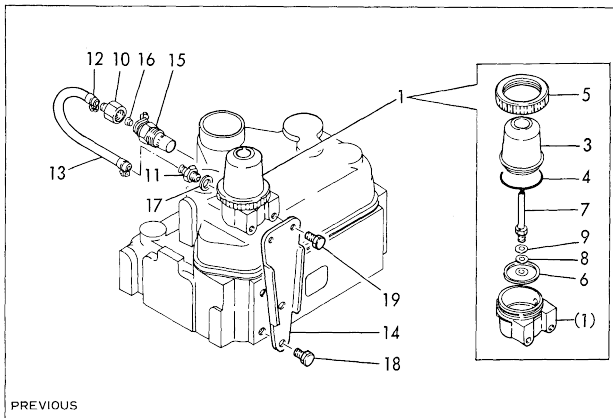
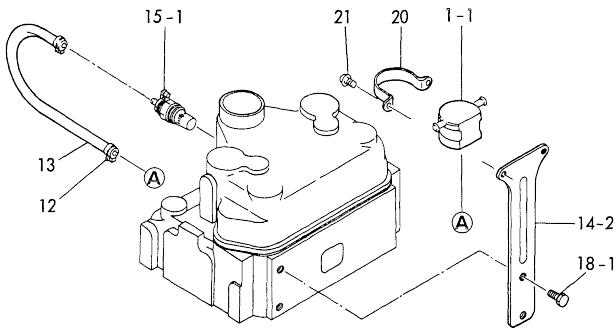


No.	Lev.	Parts No.	Description	Q'ty						I	R
				(A)	(B)	(C)	(D)	(E)	(F)		
		(A)=2T90LE (B)=2T90LE-G1 (C)=2T90LE-TA		(D)=2T90LE-TB (E)= (F)=							
20	2	XL1255801	BOLT, THROUGH	1	1	1	1				
20-1	2	124080-77460	BOLT, THROUGH	1	1	1	1				R
21	2	XB495469B	NUT ASSY, PULLEY	1	1	1	1				
21-1	2	124080-77470	NUT ASSY, PULLEY	1	1	1	1				R
22	1	121250-77210	COVER, GENERATOR	1	1	1	1				
23	1	121400-77250	BRACKET, GENERATOR	1	1	1	1				
24	1	121400-77330	ADJUSTER	1	1	1	1				
25	1	124250-77390	SHIM	1	1	1	1				Z
26	1	22137-080000	WASHER, 8	1	1	1	1				Z
27	1	26116-080182	BOLT, M8X 18 PLATED	2	2	2	2				
27-1	1	26106-080182	BOLT, M8X 18 PLATED	2	2	2	2				N
28	1	26116-080302	BOLT, M8X 30 PLATED	3	3	3	3				
28-1	1	26104-080352	BOLT M 8X 35	3	3	3	3				N
29	1	26716-080002	NUT, M8	2	2	2	2				
29-1	1	26366-080002	NUT, M8	2	2	2	2				N
30	1	26756-080002	NUT, LOCK M8	1	1	1	1				
30-1	1	26366-080002	NUT, M8	1	1	1	1				N
31	1	26716-050002	NUT, M5	1	1						W
32	1	22117-050000	WASHER, 5	2	2						W
33	1	26116-050102	BOLT, M5X 10 PLATED	1	1						W
34	1	121400-77930	HARNES, WIRE	1	1						W
35	1	121400-77940	HARNES, WIRE	1	1						W

N:Old $\frac{100}{100}$ New, Q:Old $\frac{100}{100}$ New, R:Old $\frac{100}{100}$ New, S:Old $\frac{100}{100}$ New, W:Add, Z:Discontinued, F:Interchangeable by set, K:Q'ty Change
Copyright (C) YANMAR CO., LTD. All Rights Reserved.

Fig.20. THERMOSTART

Fig. **20** THERMOSTAT

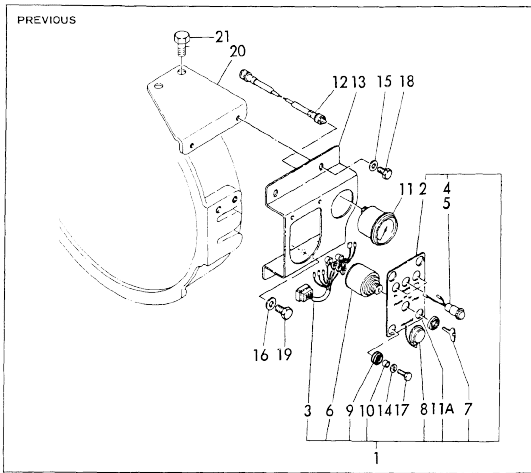
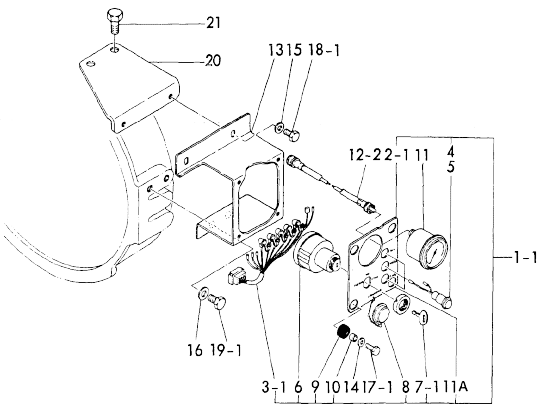


PREVIOUS

No.	Lev.	Parts No.	Description	Q'ty						I	R
				(A)	(B)	(C)	(D)	(E)	(F)		
1	1	124450-77940	TANK, HEADER	1	1	1	1				
1-1	1	121750-77800	TANK ASSY, HEADER	1	1	1	1				S
		(A)=E/#G00504 (B)=E/#G00504 (C)=E/#G00504 (D)=E/#G00504									
3	2	102103-55510	COVER	1	1	1	1				Z
		(A)=E/#G00504 (B)=E/#G00504 (C)=E/#G00504 (D)=E/#G00504									
4	2	102103-55520	O-RING	1	1	1	1				Z
		(A)=E/#G00504 (B)=E/#G00504 (C)=E/#G00504 (D)=E/#G00504									
5	2	110250-55610	RING, RETAINING	1	1	1	1				Z
		(A)=E/#G00504 (B)=E/#G00504 (C)=E/#G00504 (D)=E/#G00504									
6	2	124450-77760	ELEMENT	1	1	1	1				Z
		(A)=E/#G00504 (B)=E/#G00504 (C)=E/#G00504 (D)=E/#G00504									
7	2	124450-77770	BOLT	1	1	1	1				Z
		(A)=E/#G00504 (B)=E/#G00504 (C)=E/#G00504 (D)=E/#G00504									
8	2	22117-080000	WASHER, 8	1	1	1	1				Z
		(A)=E/#G00504 (B)=E/#G00504 (C)=E/#G00504 (D)=E/#G00504									
9	2	23414-080000	GASKET, 8X1.0	1	1	1	1				
9-1	2	22217-080000	WASHER, SPRING 8	1	1	1	1				R
		(A=*1978.01) (B=*1978.01) (C=*1978.01) (D=*1978.01)									
9-2	2	22217-080000	WASHER, SPRING 8	1	1	1	1				Z
		(A)=E/#G00504 (B)=E/#G00504 (C)=E/#G00504 (D)=E/#G00504									
10	1	124460-77660	JOINT, PIPE	1	1	1	1				Z
		(A)=E/XXXX (B)=E/XXXX (C)=E/XXXX (D)=E/XXXX									
11	1	124732-77670	JOINT	1	1	1	1				Z
		(A)=E/#G00504 (B)=E/#G00504 (C)=E/#G00504 (D)=E/#G00504									
12	1	124060-77680	CLIP, HOSE 10	2	2	2	2				
13	1	124736-77700	PIPE, FUEL	1	1	1	1				
14	1	171010-77210	BRACKET	1	1	1	1				
14-1	1	124710-77810	BRACKET	1	1	1	1				S
		(A)=E/#G60504 (B)=E/#G60504 (C)=E/#G60504 (D)=E/#G60504									
14-2	1	124701-77810	RETAINER	1	1	1	1				N
		(A)=E/XXXX (B)=E/XXXX (C)=E/XXXX (D)=E/XXXX									
15	1	124450-77910	PLUG, THERMOSTAT	1	1	1	1				F
15-1	1	121023-77910	PLUG, THERMOSTAT	1	1	1	1				
		(A)=E/XXXX (B)=E/XXXX (C)=E/XXXX (D)=E/XXXX									
16	1	124450-77980	RETAINER	1	1	1	1				Z
		(A)=E/XXXX (B)=E/XXXX (C)=E/XXXX (D)=E/XXXX									
17	1	23414-100000	GASKET, 10X1.0	1	1	1	1				Z
		(A)=E/#G00504 (B)=E/#G00504 (C)=E/#G00504 (D)=E/#G00504									
18	1	26116-080142	BOLT M 8X 14 PLATED	2	2	2	2				
18-1	1	26106-080122	BOLT, M8X 12 PLATED	2	2	2	2				N
		(A)=E/#83658 (B)=E/#83658 (C)=E/#83658 (D)=E/#83658									
19	1	26116-080162	BOLT, M8X 16 PLATED	2	2	2	2				Z
		(A)=E/#G00504 (B)=E/#G00504 (C)=E/#G00504 (D)=E/#G00504									
20	1	124460-77820	RETAINER	1	1	1	1				W
		(A)=E/#G00504 (B)=E/#G00504 (C)=E/#G00504 (D)=E/#G00504									
21	1	26557-060082	SCREW, M6X 8	2	2	2	2				W
		(A)=E/#G00504 (B)=E/#G00504 (C)=E/#G00504 (D)=E/#G00504									

Fig.21. INSTRUMENT PANEL

Fig. 21 INSTRUMENT PANEL

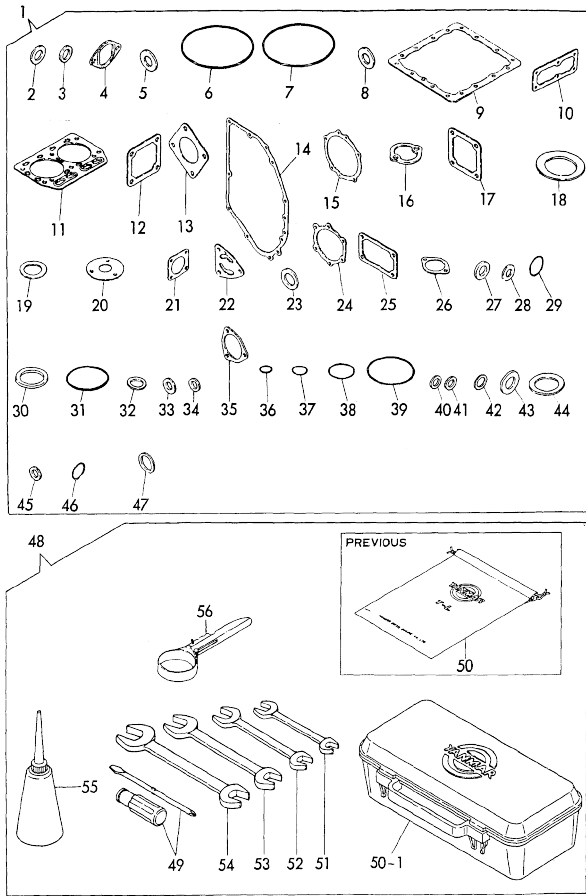


No.	Lev.	Parts No.	Description	Q'ty						I	R
				(A)	(B)	(C)	(D)	(E)	(F)		
1	1	121400-91000	PANEL ASSY	1	1	1	1				
1-1	1	121400-91001	PANEL ASSY	1	1	1	1				F
		(A=E/#G00490) (B=E/#G00490) (C=E/#G00490) (D=E/#G00490)									
2	2	121400-91010	PANEL, INSTRUMENT	1	1	1	1				S
2-1	2	121400-91011	BODY, PANEL	1	1	1	1				
		(A=E/#G00490) (B=E/#G00490) (C=E/#G00490) (D=E/#G00490)									
3	2	121400-91030	HARNES, WIRE	1	1	1	1				
3-1	2	121400-91031	HARNES, WIRE	1	1	1	1				S
		(A=E/#G00490) (B=E/#G00490) (C=E/#G00490) (D=E/#G00490)									
4	2	124770-91040	LAMP, PILOT 12V 3.4W	3	3	3	3				
5	3	46150-001110	BULB(12V3W/G11.BA9S)	3	3	3	3				
6	2	121400-91250	SWITCH, STARTER	1	1	1	1				
6-1	2	121400-91251	SWITCH, STARTER	1	1	1	1				S
		(A=E/#G00490) (B=E/#G00490) (C=E/#G00490) (D=E/#G00490)									
7	3	121400-91270	KEY	1	1	1	1				
7-1	3	121400-91271	KEY, SWITCH	1	1	1	1				S
		(A=E/#G00490) (B=E/#G00490) (C=E/#G00490) (D=E/#G00490)									
8	2	124770-91260	CAP, SWITCH	1	1	1	1				Z
		(A=E/XXX) (B=E/XXX) (C=E/XXX) (D=E/XXX)									
9	2	121400-91520	ABSORBER	4	4	4	4				
10	2	121400-91530	SPACER	4	4	4	4				
11	2	124258-91101	TACHOMETER	1	1	1	1				
11-1	2	171014-91101	TACHOMETER	1	1	1	1				N
		(A=E/#83831) (B=E/#83831) (C=E/#83831) (D=E/#83831)									
11A	2	121400-91600	LABEL	1	1	1	1				W
		(A=E/XXX) (B=E/XXX) (C=E/XXX) (D=E/XXX)									
12	1	121400-91140	SHAFT	1	1	1	1				
12-1	1	124701-91140	CABLE, L=985	1	1	1	1				N
		(A=*1979.02) (B=*1979.02) (C=*1979.02) (D=*1979.02)									
12A-2	1	194440-56900	CABLE, HOUR-METER	1	1						N
		(A=E/#83658) (B=E/#83658)									
12B-2	1	194145-56901	CABLE, HOUR-METER			1	1				N
		(C=E/XXX) (D=E/XXX)									
13	1	121400-91500	BRACKET	1	1	1	1				
13-1	1	121400-91501	BRACKET	1	1	1	1				S
		(A=E/#G00490) (B=E/#G00490) (C=E/#G00490) (D=E/#G00490)									
14	1	22117-060000	WASHER, 6	4	4	4	4				Z
		(A=E/XXX) (B=E/XXX) (C=E/XXX) (D=E/XXX)									
15	1	22117-080000	WASHER, 8	2	2	2	2				Z
		(A=E/XXX) (B=E/XXX) (C=E/XXX) (D=E/XXX)									
16	1	22117-100000	WASHER, 10	2	2	2	2				Z
		(A=E/XXX) (B=E/XXX) (C=E/XXX) (D=E/XXX)									
17	1	26116-060162	BOLT, M6X 16 PLATED	4	4	4	4				
17-1	1	26106-060142	BOLT, M6X 14 PLATED	4	4	4	4				N
		(A=E/#83658) (B=E/#83658) (C=E/#83658) (D=E/#83658)									
18	1	26116-080122	BOLT, M8X 12 PLATED	2	2	2	2				
18-1	1	26106-080102	BOLT, M8X 10 PLATED	2	2	2	2				N
		(A=E/#83658) (B=E/#83658) (C=E/#83658) (D=E/#83658)									
19	1	26116-100202	BOLT, M10X 20 PLATED	2	2	2	2				
19-1	1	26106-100182	BOLT, M10X 18 PLATED	2	2	2	2				N
		(A=E/#83658) (B=E/#83658) (C=E/#83658) (D=E/#83658)									

N:Old $\frac{New}{Old}$ New. Q:Old $\frac{New}{Old}$ New. R:Old $\frac{New}{Old}$ New. S:Old $\frac{New}{Old}$ New. W:Add. Z:Discontinued. F:Interchangeable by set. K:Q'ty Change
 ++ CONTINUE ++
 Copyright (C) YANMAR CO., LTD. All Rights Reserved.

Fig.22. GASKET SET(OPTIONAL) & TOOL

Fig.22 GASKET SET (OPTIONAL) & TOOL

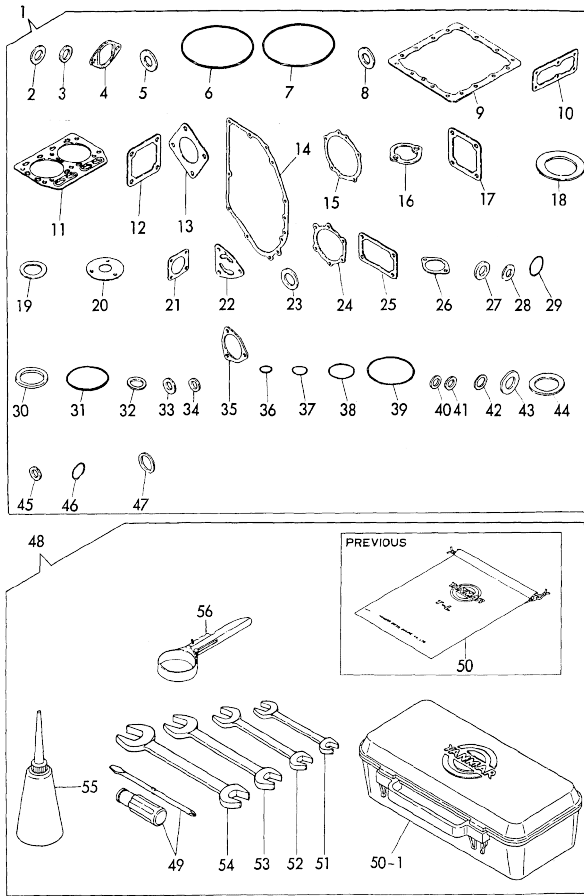


No.	Lev.	Parts No.	Description	Q'ty						I	R
				(A)	(B)	(C)	(D)	(E)	(F)		
1	1	724701-92600	GASKET SET	1	1	1	1				
1-1	1	724701-92601	GASKET SET	1	1	1	1				N
		(A=E/#83658) (B=E/#83658) (C=E/#83658) (D=E/#83658)									
1-2	1	724701-92602	GASKET SET	1	1	1	1				N
		(A=E/#83898) (B=E/#83898) (C=E/#83898) (D=E/#83898)									
2	2	124450-01980	GASKET	1	1	1	1				
3	2	121250-01990	GASKET	1	1	1	1				
4	2	124160-34843	GASKET	1	1	1	1				
4-1	2	124160-34844	GASKET	1	1	1	1				N
4-2	2	124610-34845	GASKET	1	1	1	1				N
		(A=E/#83898) (B=E/#83898) (C=E/#83898) (D=E/#83898)									
5	2	43400-500410	SEAL WASHER 8	4	4	4	4				
6	2	124550-01300	GASKET, LINER	4	4	4	4				
6-1	2	124550-01300	GASKET, LINER	2	2	2	2				K
		(A=E/XXX) (B=E/XXX) (C=E/XXX) (D=E/XXX)									
7	2	121420-01300	GASKET, LINER	2	2	2	2				W
		(A=E/XXX) (B=E/XXX) (C=E/XXX) (D=E/XXX)									
8	2	43400-500490	SEAL WASHER 16	2	2	2	2				
8-1	2	43400-500490	SEAL WASHER 16	3	3	3	3				K
		(A=E/XXX) (B=E/XXX) (C=E/XXX) (D=E/XXX)									
9	2	124465-01750	GASKET, OIL SUMP	1	1	1	1				
9-1	2	124465-01751	GASKET	1	1	1	1				N
		(A=E/XXX) (B=E/XXX) (C=E/XXX) (D=E/XXX)									
10	2	124160-01862	GASKET	1	1	1	1				
10-1	2	124160-01863	GASKET	1	1	1	1				N
		(A=E/XXX) (B=E/XXX) (C=E/XXX) (D=E/XXX)									
11	2	124763-01330	GASKET, HEAD	1	1	1	1				
12	2	124160-01531	GASKET	1	1	1	1				
12-1	2	124160-01532	GASKET	1	1	1	1				N
		(A=E/XXX) (B=E/XXX) (C=E/XXX) (D=E/XXX)									
13	2	124240-01881	GASKET	1	1	1	1				
13-1	2	124240-01882	GASKET	1	1	1	1				N
		(A=E/XXX) (B=E/XXX) (C=E/XXX) (D=E/XXX)									
13-2	2	124240-01883	GASKET	1	1	1	1				N
		(A=E/#83898) (B=E/#83898) (C=E/#83898) (D=E/#83898)									
14	2	124450-01511	GASKET, GEAR CASE	1	1	1	1				
14-1	2	124450-01512	GASKET, GEAR CASE	1	1	1	1				N
		(A=E/XXX) (B=E/XXX) (C=E/XXX) (D=E/XXX)									
15	2	124460-02150	GASKET	1	1	1	1				
16	2	124460-03662	GASKET	2	2	2	2				
16-1	2	124460-03663	GASKET	2	2	2	2				N
		(A=E/XXX) (B=E/XXX) (C=E/XXX) (D=E/XXX)									
17	2	124450-11681	GASKET	1	1	1	1				
18	2	104900-11450	GASKET, CHAMBER	4	4	4	4				
19	2	103854-11490	INSULATOR	2	2	2	2				
20	2	103954-13200	GASKET, SILENCER	1	1	1	1				
21	2	124701-11910	GASKET, SILENCER	2	2	2	2				
21-1	2	124701-11911	GASKET, SILENCER	2	2	2	2				N
		(A=E/#83898) (B=E/#83898) (C=E/#83898) (D=E/#83898)									
22	2	124450-32020	GASKET	1	1	1	1				

N:Old ^{100%} New, Q:Old ^{100%} New, R:Old ^{100%} New, S:Old ^{100%} New, W:Add, Z:Discontinued, F:Interchangeable by set, K:Q'ty Change
 ++ CONTINUE ++
 Copyright (C) YANMAR CO., LTD. All Rights Reserved.

Fig.22. GASKET SET(OPTIONAL) & TOOL

Fig.22 GASKET SET (OPTIONAL) & TOOL

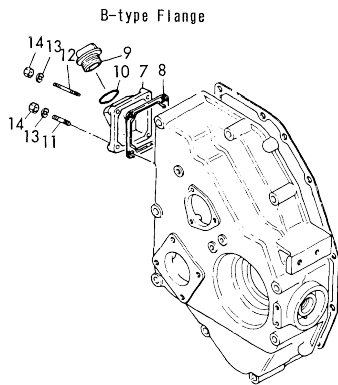
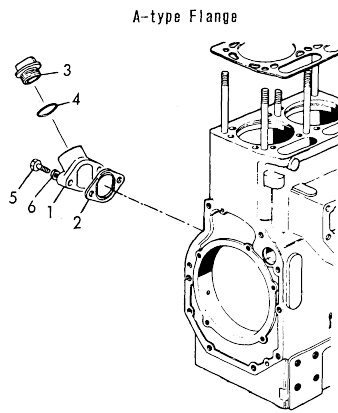


No.	Lev.	Parts No.	Description	Q'ty						I	R
				(A)	(B)	(C)	(D)	(E)	(F)		
23	2	124770-34730	GASKET	2	2	2	2				
24	2	121256-42050	GASKET	1	1	1	1				
25	2	124450-44410	GASKET	1	1	1	1				
26	2	124736-49540	GASKET	1	1	1	1				
26-1	2	129350-49540	GASKET	1	1	1	1				N
		(A=E-XXXX) (B=E-XXXX) (C=E-XXXX) (D=E-XXXX)									
26-2	2	129350-49541	GASKET	1	1	1	1				N
		(A=E/#83898) (B=E/#83898) (C=E/#83898) (D=E/#83898)									
27	2	174307-51270	GASKET	2	2	2	2				
28	2	124550-51350	GASKET, DELIVERY	2	2	2	2				
29	2	124550-51370	O-RING	2	2	2	2				
30	2	172100-53200	GASKET	2	2	2	2				
31	2	102103-55520	O-RING	2	2	2	2				
32	2	104200-59170	GASKET, 12	2	2	2	2				
33	2	43400-500390	SEAL WASHER 6	1	1	1	1				
34	2	43400-500400	SEAL WASHER 6	2	2	2	2				
35	2	124250-91411	GASKET	1	1	1	1				
35-1	2	124250-91412	GASKET	1	1	1	1				N
		(A=E-XXXX) (B=E-XXXX) (C=E-XXXX) (D=E-XXXX)									
36	2	24311-000070	O-RING, 1AP7.0	2	2	2	2				
37	2	24311-000100	O-RING, 1AP10.0	1	1	1	1				
38	2	24311-000140	O-RING, 1AP14.0	2	2	2	2				
38-1	2	24311-000140	O-RING, 1AP14.0	4	4	4	4				K
		(A=E-XXXX) (B=E-XXXX) (C=E-XXXX) (D=E-XXXX)									
39	2	24311-000320	O-RING, 1AP32.0	1	1	1	1				
40	2	23414-080000	GASKET, 8X1.0	4	4	4	4				
41	2	23414-080012	GASKET, 8X1.0	8	8	8	8				
42	2	23414-100000	GASKET, 10X1.0	3	3	3	3				
43	2	23414-160000	GASKET, 16X1.0	2	2	2	2				
43-1	2	124465-44950	GASKET, 16	2	2	2	2				N
		(A=E-XXXX) (B=E-XXXX) (C=E-XXXX) (D=E-XXXX)									
44	2	23414-270035	GASKET, 27X1.0	1	1	1	1				
44-1	2	23414-250031	GASKET, 25X1.0	1	1	1	1				N
		(A=E-XXXX) (B=E-XXXX) (C=E-XXXX) (D=E-XXXX)									
45	2	23414-060000	GASKET, 6X1.0	3	3	3	3				
46	2	124450-35110	O-RING	1	1	1	1				
47	2	124060-44520	GASKET	1	1	1	1				
48	1	171001-93100	BOX, TOOL	1	1	1	1				W
		(A=E-XXXX) (B=E-XXXX) (C=E-XXXX) (D=E-XXXX)									
49	2	104200-92350	DRIVER, SCREW	1	1	1	1				
50	2	121400-92690	BAG, TOOL	1	1	1	1				
50-1	2	104200-92600	BOX, TOOL	1	1	1	1				R
		(A=E/#83658) (B=E/#83658) (C=E/#83658) (D=E/#83658)									
51	2	28110-100130	SPANNER, 10X13	1	1	1	1				
51-1	2	28110-100120	SPANNER, 10X12	1	1	1	1				
52	2	28110-120140	SPANNER, 12X14	1	1	1	1				
52-1	2	28110-140170	SPANNER, 14X17	1	1	1	1				
53	2	28110-170190	SPANNER, 17X19	1	1	1	1				
53-1	2	28110-190220	SPANNER, 19X22	1	1	1	1				
54	2	28110-220240	SPANNER, 22X24	1	1	1	1				Z
		(A=E-XXXX) (B=E-XXXX) (C=E-XXXX) (D=E-XXXX)									

N:Old $\frac{New}{Old}$ New. Q:Old $\frac{New}{Old}$ New. R:Old $\frac{New}{Old}$ New. S:Old $\frac{New}{Old}$ New. W:Add. Z:Discontinued. F:Interchangeable by set. K:Q'ty Change
 ++ CONTINUE ++
 Copyright (C) YANMAR CO., LTD. All Rights Reserved.

Fig.23. OIL GAUGE (OPTIONAL)

Fig.23 OIL FEED FLANGE (OPTIONAL)

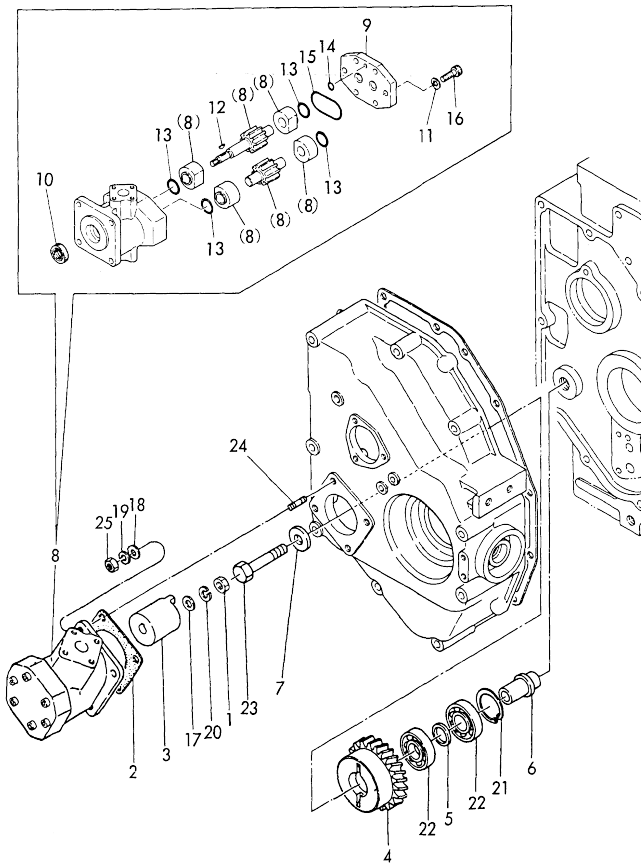


No.	Lev.	Parts No.	Description	Q'ty						I	R
				(A)	(B)	(C)	(D)	(E)	(F)		
1	1	121250-01522	FLANGE	1	1	1	1				
2	1	124160-34843	GASKET	1	1	1	1				
2-1	1	124160-34844	GASKET	1	1	1	1				N
3	1	124160-01750	COVER	1	1	1	1				
3-1	1	124160-01751	COVER, FILLER	1	1	1	1				R
4	1	24321-000350	O-RING, 1AG35.0	1	1	1	1				
5	1	26116-080382	BOLT, M 8X 38 PLATED	2	2	2	2				
5-1	1	26116-080352	BOLT, M8X 35 PLATED	2	2	2	2				R
6	1	22137-080000	WASHER, 8	2	2	2	2				Z
7	1	124160-01521	FLANGE	1	1	1	1				
8	1	124160-01531	GASKET	1	1	1	1				
8-1	1	124160-01532	GASKET	1	1	1	1				N
9	1	124160-01750	COVER	1	1	1	1				
9-1	1	124160-01751	COVER, FILLER	1	1	1	1				R
10	1	24321-000350	O-RING, 1AG35.0	1	1	1	1				
11	1	26216-080202	STUD, M8X 20	4	4	4	4				
11-1	1	26216-080202	STUD, M8X 20	3	3	3	3				K
12	1	26216-080222	STUD, M8X 22	4	4	4	4				
13	1	22137-080000	WASHER, 8	4	4	4	4				
14	1	26716-080002	NUT, M8	4	4	4	4				

N:Old $\frac{New}{Old}$ New. Q:Old $\frac{New}{Old}$ New. R:Old $\frac{New}{Old}$ New. S:Old $\frac{New}{Old}$ New. W:Add. Z:Discontinued. F:Interchangeable by set. K:Q'ty Change
Copyright (C) YANMAR CO., LTD. All Rights Reserved.

Fig.25. HYDRAULIC OIL PUMP(OPTIONAL)

Fig. **25** HYDRAULIC OIL PUMP (OPTIONAL)



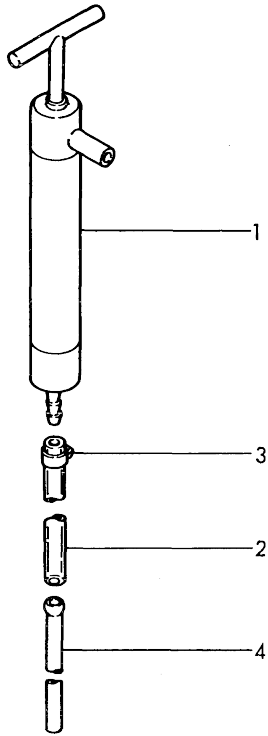
No.	Lev.	Parts No.	Description	Q'ty						I	R
				(A)	(B)	(C)	(D)	(E)	(F)		
1	1	194990-20180	NUT M 8	1	1	1	1				
2	1	124950-26021	GASKET	1	1	1	1				
3	1	121250-26160	JOINT	1	1	1	1				
4	1	121250-26201	GEAR, PUMP	1	1	1	1				
5	1	121250-26210	SPACER	1	1	1	1				
6	1	121250-26400	SHAFT	1	1	1	1				
7	1	124450-26410	WASHER	1	1	1	1				
8	1	194145-41120	PUMP ASSY, HYDRAULIC	1	1	1	1				
9	2	194320-41150	COVER, CASE	1	1	1	1				
10	2	194320-41160	SEAL, OIL	1	1	1	1				
11	2	22217-080000	WASHER, SPRING 8	6	6	6	6				
12	2	22522-030130	KEY, WOODRUFF 3X13	1	1	1	1				
13	2	24315-000200	O-RING, 1BP20.0	4	4	4	4				
14	2	24341-000100	O-RING, 1AS10.0	1	1	1	1				
15	2	24341-000480	O-RING, 1AS48.0	1	1	1	1				
16	2	26450-080252	BOLT, M8X 25	6	6	6	6				
17	1	194100-41670	WASHER 8.5X18X2	1	1	1	1				
18	1	22137-080000	WASHER, 8	4	4	4	4				
19	1	22217-080000	WASHER, SPRING 8	4	4	4	4				
20	1	22217-080000	WASHER, SPRING 8	1	1	1	1				
21	1	22252-000420	RING, 42	1	1	1	1				
22	1	24101-060044	BEARING, BALL 6004	2	2	2	2				
23	1	26116-120652	BOLT, M12X 65 PLATED	1	1	1	1				
24	1	26216-080222	STUD, M8X 22	4	4	4	4				
25	1	26716-080002	NUT, M8	4	4	4	4				

N:Old $\frac{New}{Old}$ New, Q:Old $\frac{New}{Old}$ New, R:Old $\frac{New}{Old}$ New, S:Old $\frac{New}{Old}$ New, W:Add, Z:Discontinued, F:Interchangeable by set, K:Q'ty Change
 Copyright (C) YANMAR CO., LTD. All Rights Reserved.

OCR10-M41701

Fig.26. LUB.OIL EVACUATION PUMP(OPTION

Fig. **26** LUB,OIL EVACUATION PUMP (OPTIONAL)

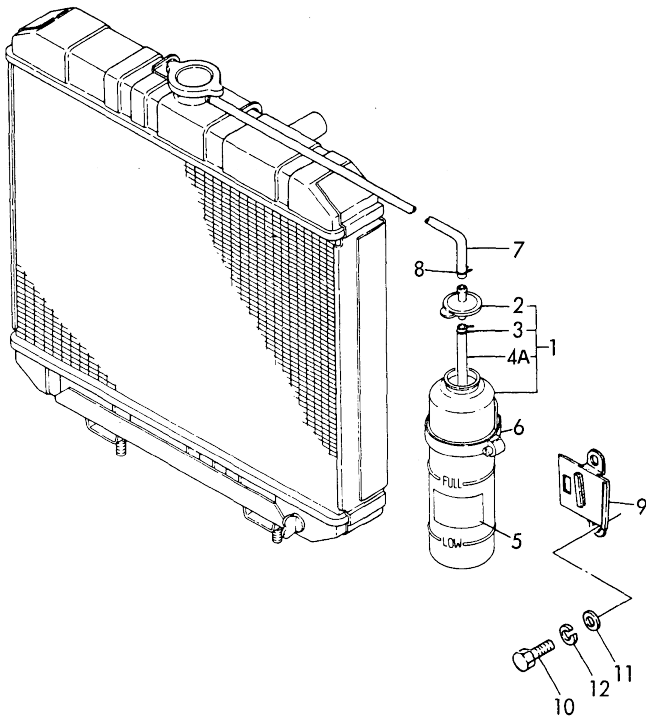


(A)=2T90LE
(B)=2T90LE-G1
(C)=2T90LE-TA
(D)=2T90LE-TB
(E)=
(F)=

No.	Lev.	Parts No.	Description	Q'ty						I	R
				(A)	(B)	(C)	(D)	(E)	(F)		
1	1	104264-39700	PUMP ASSY, WASTE	1	1	1	1				
2	1	104264-39710	PIPE	1	1	1	1				
3	1	23010-012000	CLAMP, 12	1	1	1	1				
4	1	23061-081000	PIPE, 8X1000	1	1	1	1				

Fig.27. WATER REPLENISH TANK(OPTIONAL)

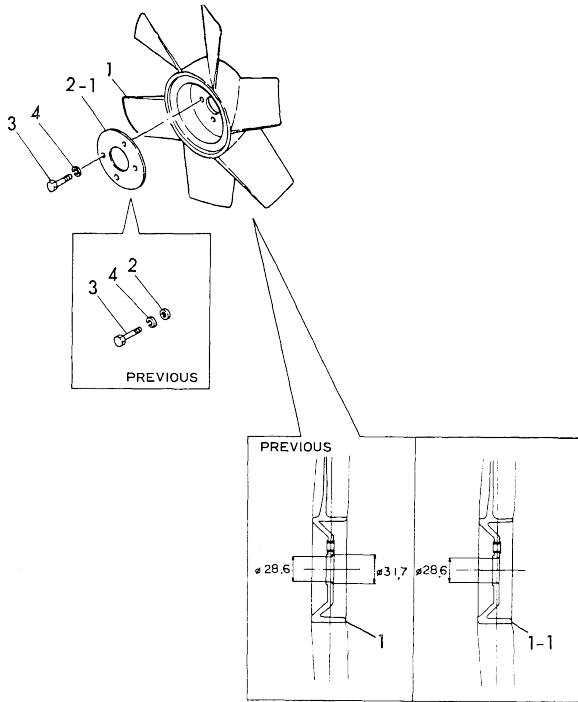
Fig. 27 WATER REPLENISH TANK (OPTIONAL)



No.	Lev.	Parts No.	Description	Q'ty						I	R
				(A)	(B)	(C)	(D)	(E)	(F)		
1	1	124450-44510	TANK ASSY, SUB	1	1	1	1				
2	2	124450-44530	CAP	1	1	1	1				
3	2	124450-44560	RETAINER	1	1	1	1				
4	2	23060-070230	PIPE 7X 230	1	1	1	1				
4A	2	23061-070230	PIPE, 7X 230	1	1	1	1				
5	1	124764-44810	LABEL, SUB-TANK	1	1	1	1				
6	1	124450-44550	BAND	1	1	1	1				
7	1	121250-44570	PIPE, 7X300	1	1	1	1				
8	1	121250-44590	CLAMP	2	2	2	2				
9	1	121480-44600	BRACKET, TANK	1	1	1	1				
10	1	26116-080142	BOLT M 8X 14 PLATED	2	2	2	2				
11	1	22137-080000	WASHER, 8	2	2	2	2				
12	1	22217-080000	WASHER, SPRING 8	2	2	2	2				

Fig.28. FAN(OPTIONAL)

Fig. **28** RADIATOR FAN for SUNCTION TYPE (OPTIONAL)

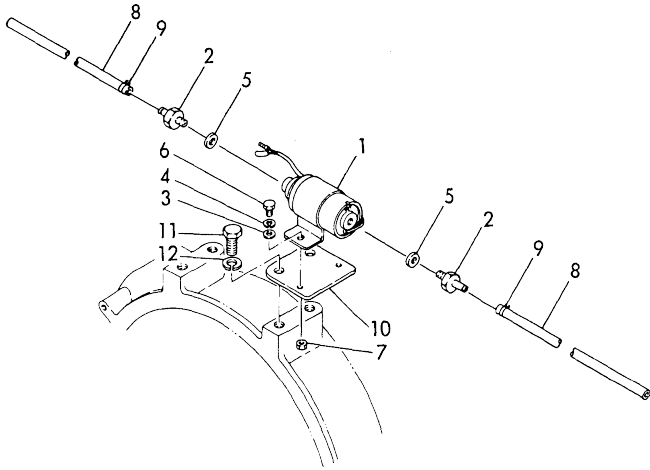


(A)=2T90LE
(B)=2T90LE-G1
(C)=2T90LE-TA
(D)=2T90LE-TB
(E)=
(F)=

No.	Lev.	Parts No.	Description	Q'ty						I	R
				(A)	(B)	(C)	(D)	(E)	(F)		
1	1	121402-44740	FAN, COOLING	1	1	1	1				
1-1	1	121850-44740	FAN, COOLING D=360	1	1	1	1				S
		(A=E/#00744)	(B=E/#00744)	(C=E/#00744)	(D=E/#00744)						
2	1	121402-44750	WASHER	4	4	4	4				
2-1	1	121402-44751	SPACER, FAN	1	1	1	1				S
		(A=E/XXXX)	(B=E/XXXX)	(C=E/XXXX)	(D=E/XXXX)						
3	1	26116-060202	BOLT, M6X 20 PLATED	4	4	4	4				
4	1	22217-060000	WASHER, SPRING 6	4	4	4	4				

Fig.30. FUEL FEED PUMP(OPTIONAL)

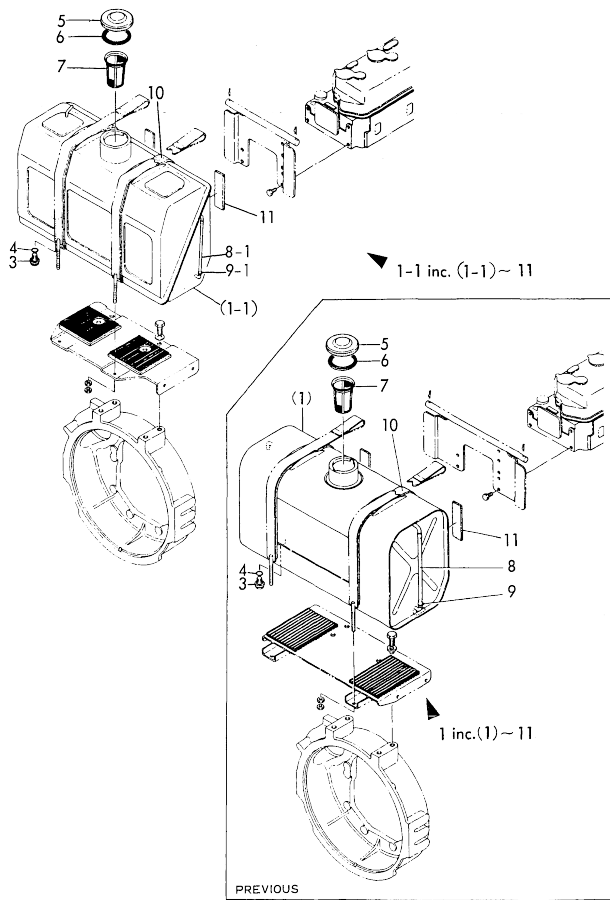
Fig. **30** FUEL FEED PUMP (OPTIONAL)



No.	Lev.	Parts No.	Description	Q'ty						I	R
				(A)	(B)	(C)	(D)	(E)	(F)		
1	1	124790-52200	PUMP ASSY, FUEL FEED	1	1	1	1				
1-1	1	124790-52201	PUMP ASSY, FUEL FEED	1	1	1	1				N
		(A=E)XXX (B=E)XXX (C=E)XXX (D=E)XXX									
2	1	124702-59150	JOINT, PIPE	2	2	2	2				
3	1	22137-060000	WASHER, 6	2	2	2	2				
4	1	22217-060000	WASHER, SPRING 6	2	2	2	2				
5	1	23414-080000	GASKET, 8X1.0	2	2	2	2				
6	1	26116-060122	BOLT, M6X 12 PLATED	2	2	2	2				
6-1	1	26116-060182	BOLT, M6X 18 PLATED	2	2	2	2				R
		(A=E)XXX (B=E)XXX (C=E)XXX (D=E)XXX									
7	1	26716-060002	NUT, M6	2	2	2	2				
8	1	124732-59090	PIPE, FUEL L=800	2	2	2	2				
9	1	124766-59050	CLIP, HOSE 12	4	4	4	4				
10	1	124702-52250	BRACKET, PUMP	1	1	1	1				
11	1	26116-120252	BOLT, M12X 25 PLATED	2	2	2	2				
12	1	22217-120000	WASHER, SPRING 12	2	2	2	2				

Fig.31. FUEL TANK(OPTIONAL)

Fig. **31** FUEL TANK (OPTIONAL)

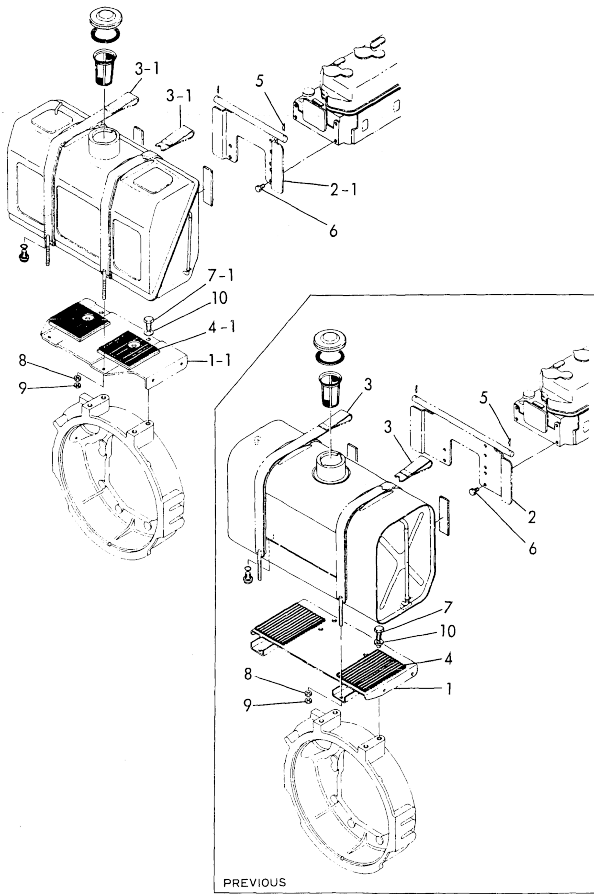


No.	Lev.	Parts No.	Description	Q'ty						I	R
				(A)	(B)	(C)	(D)	(E)	(F)		
1	1	721400-55700	TANK ASSY, FUEL	1	1	1	1				
1-1	1	721400-55701	TANK ASSY, FUEL	1	1	1	1				F
		(A=E000) (B=E000) (C=E000) (D=E000)									
3	2	124060-01640	PLUG, M12	1	1	1	1				
4	2	24311-000140	O-RING, 1AP14.0	1	1	1	1				
5	2	101168-55040	CAP ASSY	1	1	1	1				
6	2	101504-55051	GASKET	1	1	1	1				
7	2	101504-55101	STRAINER, FUEL	1	1	1	1				
8	2	121400-55150	PIPE, GAUGE	1	1	1	1				
8-1	2	23061-050060	PIPE, 5X 60	1	1	1	1				S
		(A=E000) (B=E000) (C=E000) (D=E000)									
9	2	124722-59050	CLIP, HOSE 9	2	2	2	2				
9-1	2	103854-55220	RETAINER	2	2	2	2				S
		(A=E000) (B=E000) (C=E000) (D=E000)									
10	2	124258-55830	FELT, FUEL TANK	2	2	2	2				
11	2	121400-55870	FELT, FUEL TANK	2	2	2	2				

N:Old $\frac{100}{100}$ New, Q:Old $\frac{100}{100}$ New, R:Old $\frac{100}{100}$ New, S:Old $\frac{100}{100}$ New, W:Add, Z:Discontinued, F:Interchangeable by set, K:Q'ty Change
 Copyright (C) YANMAR CO., LTD. All Rights Reserved.

Fig.32. FUEL TANK BRACKET(OPTIONAL)

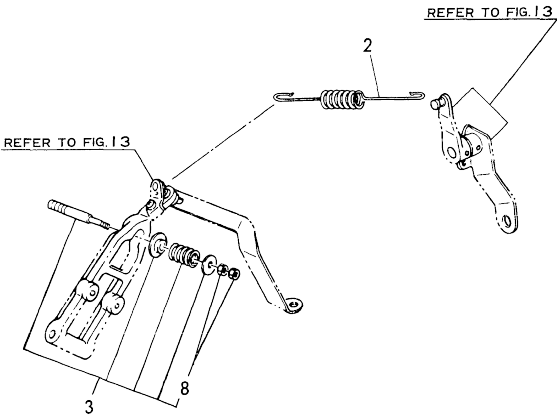
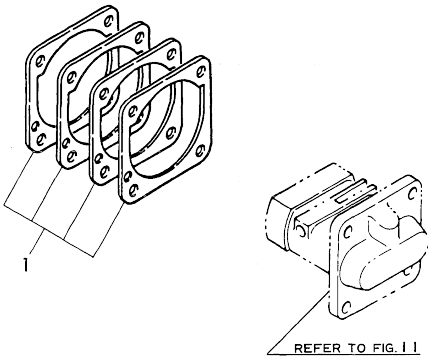
Fig. **32** FUEL TANK BRACKET (OPTIONAL)



No.	Lev.	Parts No.	Description	Q'ty						I	R
				(A)	(B)	(C)	(D)	(E)	(F)		
1	1	121400-55800	BRACKET, FUEL TANK	1	1	1	1				
1-1	1	121400-55801	BRACKET, FUEL TANK (A=E-XXX) (B=E-XXX) (C=E-XXX) (D=E-XXX)	1	1	1	1				S
2	1	121400-55810	BRACKET	1	1	1	1				
2-1	1	121400-55811	BRACKET (A=E-XXX) (B=E-XXX) (C=E-XXX) (D=E-XXX)	1	1	1	1				S
3	1	121400-55820	BAND, TANK	2	2	2	2				
3-1	1	121400-55821	BAND, TANK (A=E-XXX) (B=E-XXX) (C=E-XXX) (D=E-XXX)	2	2	2	2				S
4	1	121400-55840	PAD	2	2	2	2				
4-1	1	121400-55841	PAD (A=E-XXX) (B=E-XXX) (C=E-XXX) (D=E-XXX)	2	2	2	2				S
5	1	22360-160000	PIN, SNAP 16	2	2	2	2				
6	1	26116-080122	BOLT, M8X 12 PLATED	4	4	4	4				
7	1	26116-120252	BOLT, M12X 25 PLATED	4	4	4	4				
7-1	1	26116-120282	BOLT, M12X 28 PLATED (A=E-XXX) (B=E-XXX) (C=E-XXX) (D=E-XXX)	4	4	4	4				R
8	1	26716-080002	NUT, M8	2	2	2	2				
9	1	26756-080002	NUT, LOCK M8	2	2	2	2				
10	1	22117-120000	WASHER, 12	4	4	4	4				

Fig.33. CONVERSION KIT(OPTIONAL)

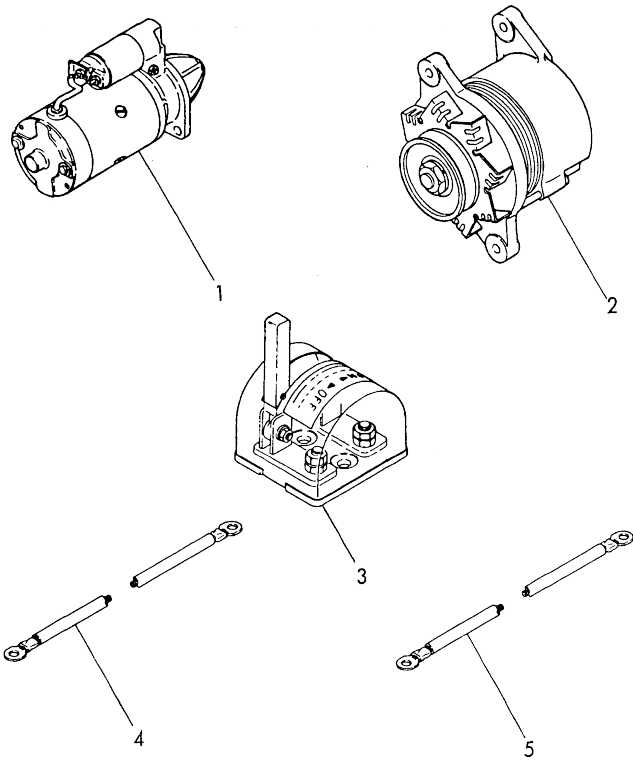
Fig. **33** CONVERSION KIT (OPTIONAL)



No.	Lev.	Parts No.	Description	Q'ty					
				(A)	(B)	(C)	(D)	(E)	(F)
1	1	121250-01951	SHIM SET, ADJUSTING	1	1	1	1		
2	1	121400-66610	SPRING, REGULATOR	1	1	1	1		
3	1	121481-66800	LIMITER ASSY, FUEL	1	1	1	1		
8	2	26756-050002	NUT, LOCK M5	2	2	2	2		

Fig.34. ELECTRIC STARTING DEVICE(OPTIO

Fig. **34** ELECTRIC STARTING DEVICE (OPTIONAL)

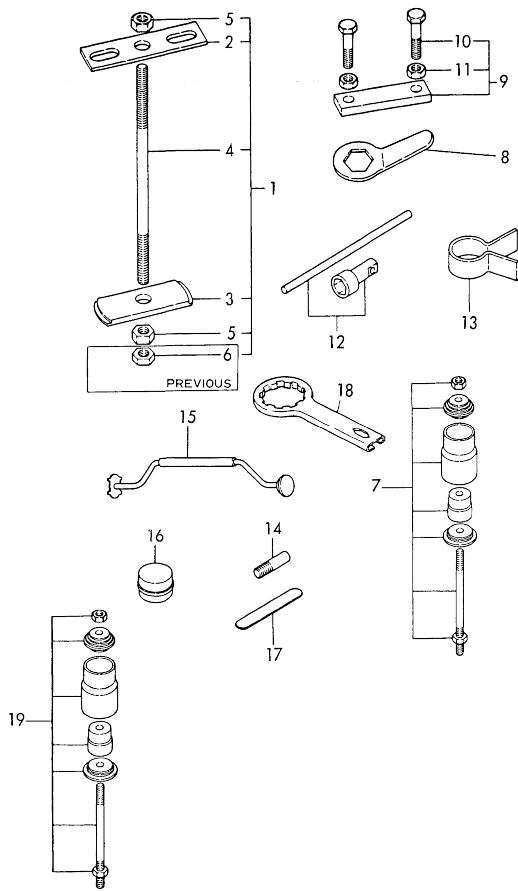


(A)=2T90LE
(B)=2T90LE-G1
(C)=2T90LE-TA
(D)=2T90LE-TB
(E)=
(F)=

No.	Lev.	Parts No.	Description	Q'ty						I	R
				(A)	(B)	(C)	(D)	(E)	(F)		
1	1	121400-77010	STARTER, 13-24ST 12V	1	1	1	1				
2	1	124080-77200	GENERATOR	1	1	1	1				
3	1	123310-77640	SWITCH, BATTERY	1	1	1	1				
4	1	124080-77930	CABLE, BATTERY	1	1	1	1				
5	1	124080-77940	CABLE, BATTERY	1	1	1	1				

Fig.35. SPECIAL TOOL(OPTIONAL)

Fig. **35** SPECIAL TOOL (OPTIONAL)

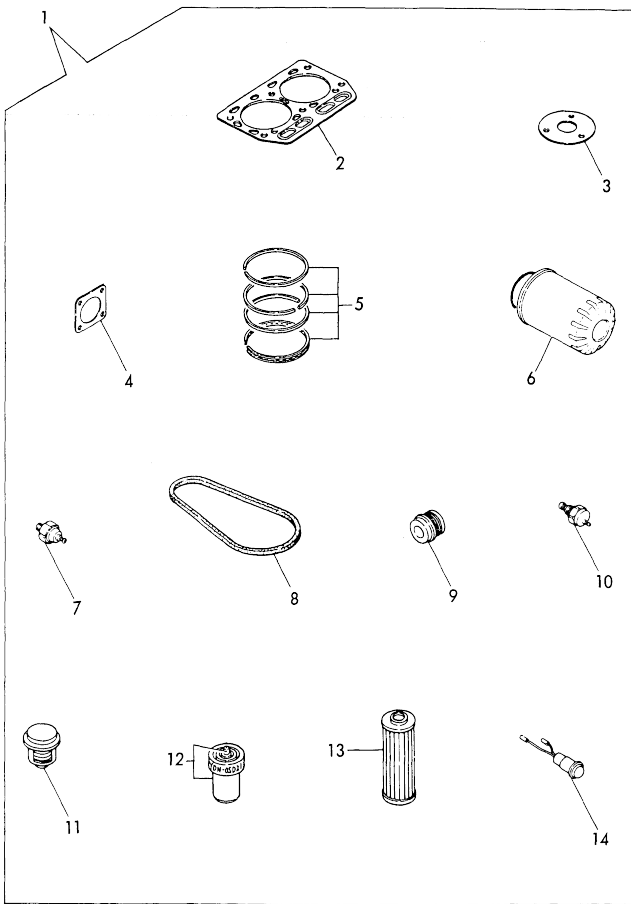


(A)=2T90LE
(B)=2T90LE-G1
(C)=2T90LE-TA
(D)=2T90LE-TB
(E)=
(F)=

No.	Lev.	Parts No.	Description	Q'ty						I	R
				(A)	(B)	(C)	(D)	(E)	(F)		
1	1	121400-92050	TOOL ASSY, LINER	1	1	1	1				
1-1	1	124765-92000	TOOL ASSY, LINER	1	1	1	1				N
		(A=E/XXX) (B=E/XXX) (C=E/XXX) (D=E/XXX)									
2	2	124060-92010	TOOL, LINER REMOVER	1	1	1	1				
3	2	124765-92020	TOOL, LINER REMOVER	1	1	1	1				
4	2	103338-92030	BOLT, LINER REMOVER	1	1	1	1				
5	2	26716-160002	NUT, M16	2	2	2	2				Z
6	2	26756-160002	NUT, LOCK M16	1	1	1	1				Z
		(A=E/XXX) (B=E/XXX) (C=E/XXX) (D=E/XXX)									
7	1	124460-92400	TOOL, MAIN METAL	1	1	1	1				Z
8	1	103338-92100	WRENCH	1	1	1	1				Z
		(A=E/#G00350) (B=E/#G00350) (C=E/#G00350) (D=E/#G00350)									
9	1	724770-92220	TOOL ASSY, FLYWHEEL	1	1	1	1				Z
		(A=E/#G00350) (B=E/#G00350) (C=E/#G00350) (D=E/#G00350)									
10	2	104200-92130	TOOL	2	2	2	2				Z
		(A=E/#G00350) (B=E/#G00350) (C=E/#G00350) (D=E/#G00350)									
11	2	26716-120002	NUT, M12	2	2	2	2				Z
		(A=E/#G00350) (B=E/#G00350) (C=E/#G00350) (D=E/#G00350)									
12	1	124770-92690	TOOL, PULLEY REPLACE	1	1	1	1				
13	1	101404-92140	TOOL, PISTON&RING	1	1	1	1				
14	1	101104-92180	TOOL, NOZZLE REMOVER	1	1	1	1				
15	1	28210-000031	TOOL, VALVE RAPPING	1	1	1	1				
16	1	28210-000070	COMPOUND	1	1	1	1				
17	1	28312-150750	GAUGE, 0.15X75	1	1	1	1				
18	1	124550-35350	WRENCH, FILTER	1	1	1	1				
19	1	121250-92400	TOOL, MAIN METAL	1	1	1	1				

Fig.36. GASKET SET(OPTIONAL)

Fig. **36** REPAIR KIT (OPTIONAL)

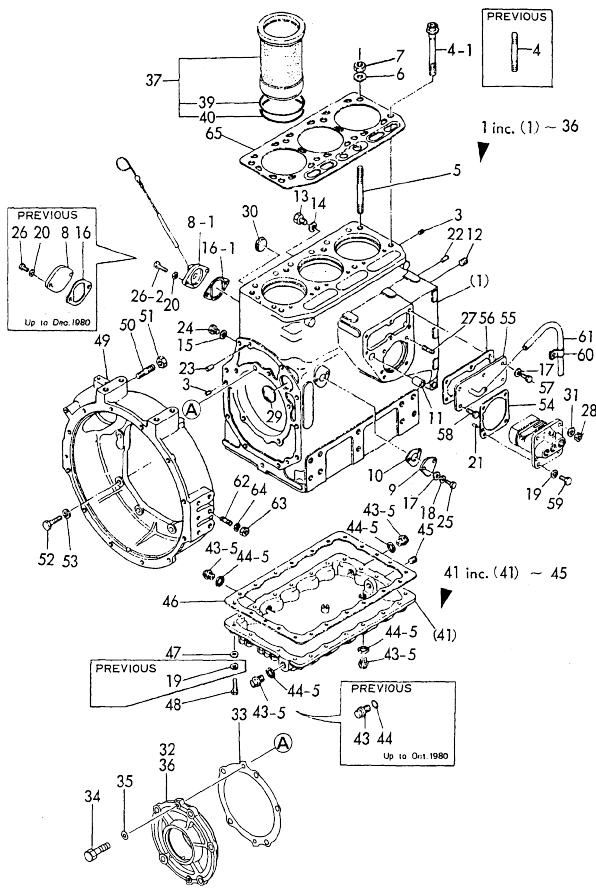


No.	Lev.	Parts No.	Description	Q'ty					
				(A)	(B)	(C)	(D)	(E)	(F)
1	1	724780-92500	REPAIR KIT	1	1	1	1		
2	2	125763-01330	GASKET, HEAD	1	1	1	1		
3	2	103954-13200	GASKET, SILENCER	1	1	1	1		
4	2	124701-11910	GASKET, SILENCER	2	2	2	2		
5	2	724763-22500	RING SET, PISTON	2	2	2	2		
6	2	124550-35110	ELEMENT	1	1	1	1		
7	2	121250-39450	SWITCH, 1.0KG	1	1	1	1		
8	2	124732-42290	V-BELT, AX37	1	1	1	1		
9	2	123482-43350	SEAL, MECHANICAL	1	1	1	1		
10	2	121250-44901	SWITCH, 110	1	1	1	1		
11	2	124790-49800	THERMOSTAT	1	1	1	1		
12	2	124770-53000	VALVE ASSY, INJECTION	2	2	2	2		
13	2	124550-55700	FILTER, FUEL L=90	1	1	1	1		
14	2	124770-91040	LAMP, PILOT 12V 3.4W	3	3	3	3		

N:Old $\frac{100}{100}$ New, Q:Old $\frac{100}{100}$ New, R:Old $\frac{100}{100}$ New, S:Old $\frac{100}{100}$ New, W:Add, Z:Discontinued, F:Interchangeable by set, K:Q'ty Change
 Copyright (C) YANMAR CO., LTD. All Rights Reserved.

Fig.37. CYLINDER BLOCK

Fig.37 CYLINDER BLOCK

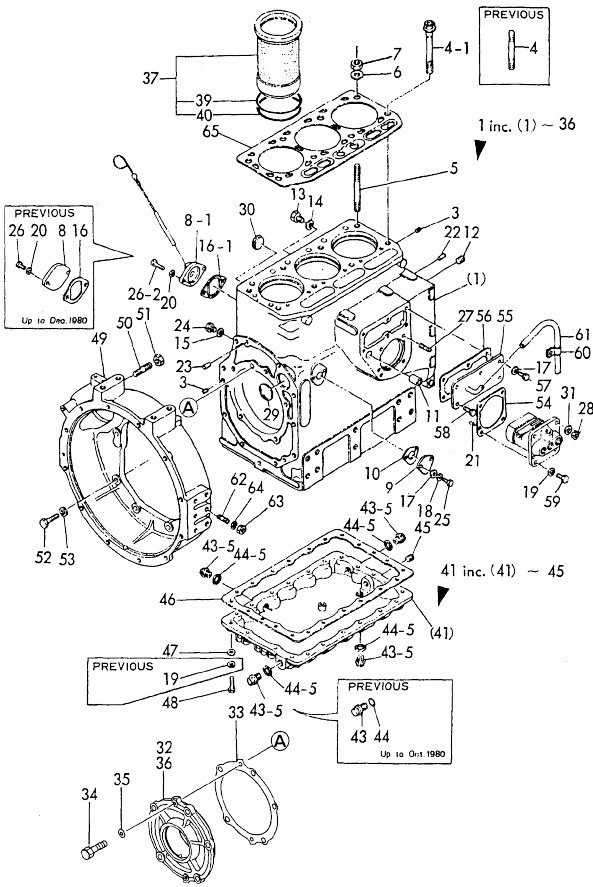


No.	Lev.	Parts No.	Description	Q'ty						I	R
				(A)	(B)	(C)	(D)	(E)	(F)		
1	1	721400-01560	BLOCK ASSY, CYLINDER	1	1	1	1				
1-1	1	721400-01561	BLOCK ASSY, CYLINDER	1	1	1	1				N
		(A=E)XXX (B=E)XXX (C=E)XXX (D=E)XXX									
3	2	124060-01050	PLUG, PT1/8	2	2	2	2				
4	2	124450-01210	BOLT, HEAD	6	6	6	6				
4-1	2	124450-01211	BOLT, HEAD	6	6	6	6				N
		(A=*1979.11) (B=*1979.11) (C=*1979.11) (D=*1979.11)									
4-2	2	124450-01210	BOLT, HEAD	7	7	7	7				N
		(A=E/#85862) (B=E/#85862) (C=E/#85862) (D=E/#85862)									
5	2	124450-01230	BOLT, HEAD	2	2	2	2				
6	2	124450-01240	WASHER	8	8	8	8				
6-1	2	124450-01240	WASHER	2	2	2	2				K
		(A=*1979.11) (B=*1979.11) (C=*1979.11) (D=*1979.11)									
6-2	2	124450-01240	WASHER	8	8	8	8				K
		(A=E/#85862) (B=E/#85862) (C=E/#85862) (D=E/#85862)									
7	2	124450-01250	NUT, CYLINDER HEAD	8	8	8	8				
7-1	2	124450-01250	NUT, CYLINDER HEAD	2	2	2	2				K
		(A=*1979.11) (B=*1979.11) (C=*1979.11) (D=*1979.11)									
7-2	2	124450-01250	NUT, CYLINDER HEAD	8	8	8	8				K
		(A=E/#85862) (B=E/#85862) (C=E/#85862) (D=E/#85862)									
8	2	124772-01400	COVER, CRANK CASE	1	1	1	1				
8-1	2	124160-34831	BRACKET	1	1	1	1				S
		(A=E/#01077) (B=E/#01077) (C=E/#01077) (D=E/#01077)									
9	2	121400-01860	COVER	1	1	1	1				
9-1	2	121520-01860	COVER	1	1	1	1				N
		(A=E/#85862) (B=E/#85862) (C=E/#85862) (D=E/#85862)									
10	2	121400-01850	GASKET	1	1	1	1				
10-1	2	121520-01851	GASKET	1	1	1	1				N
		(A=E/#90311) (B=E/#90311) (C=E/#90311) (D=E/#90311)									
11	2	124550-01900	BUSH	1	1	1	1				
11-1	2	124550-01901	BUSH	1	1	1	1				N
		(A=E/#85862) (B=E/#85862) (C=E/#85862) (D=E/#85862)									
12	2	124160-01910	PLUG, PT1/4	2	2	2	2				
13	2	124732-01970	PLUG	1	1	1	1				
14	2	124450-01980	GASKET	1	1	1	1				
15	2	121250-01990	GASKET	3	3	3	3				
16	2	124160-34843	GASKET	1	1	1	1				
16-1	2	124160-34844	GASKET	1	1	1	1				N
		(A=E)XXX (B=E)XXX (C=E)XXX (D=E)XXX									
17	2	22137-060000	WASHER, 6	6	6	6	6				
17-1	2	22117-060000	WASHER, 6	6	6	6	6				R
		(A=E)XXX (B=E)XXX (C=E)XXX (D=E)XXX									
17-2	2	22117-060000	WASHER, 6	6	6	6	6				Z
		(A=E)XXX (B=E)XXX (C=E)XXX (D=E)XXX									
18	2	22217-060000	WASHER, SPRING 6	2	2	2	2				Z
		(A=E)XXX (B=E)XXX (C=E)XXX (D=E)XXX									
19	2	22217-080000	WASHER, SPRING 8	22	22	22	22				
19-1	2	22217-080000	WASHER, SPRING 8	2	2	2	2				K
		(A=E/#01077) (B=E/#01077) (C=E/#01077) (D=E/#01077)									
19-2	2	22217-080000	WASHER, SPRING 8	2	2	2	2				Z
		(A=E)XXX (B=E)XXX (C=E)XXX (D=E)XXX									

N:Old $\frac{100}{100}$ New. Q:Old $\frac{100}{100}$ New. R:Old $\frac{100}{100}$ New. S:Old $\frac{100}{100}$ New. W:Add. Z:Discontinued. F:Interchangeable by set. K:Q'ty Change
 ++ CONTINUE ++
 Copyright (C) YANMAR CO., LTD. All Rights Reserved.

Fig.37. CYLINDER BLOCK

Fig. **37** CYLINDER BLOCK

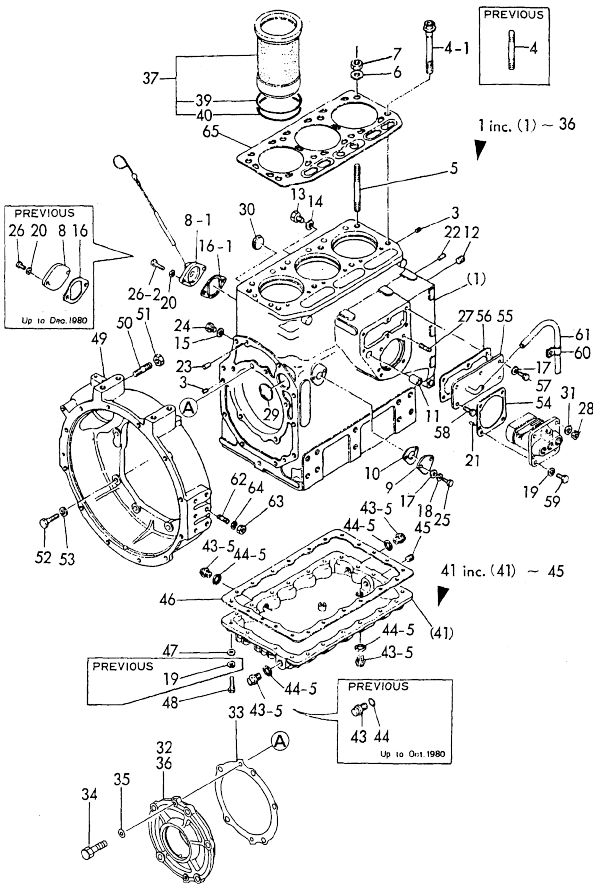


No.	Lev.	Parts No.	Description	Q'ty						I	R
				(A)	(B)	(C)	(D)	(E)	(F)		
20	2	22137-080000 (A=E/#01077)	WASHER, 8 (B=E/#01077)	8 (C=E/#01077)							W
21	2	22312-040100	PARALLEL PIN 4X10	1	1	1	1				
22	2	22312-080160	PIN, PARALLEL M8X16	2	2	2	2				
23	2	22312-080200	PIN, PARALLEL M8X20	2	2	2	2				
24	2	23883-100002	PLUG, 10	3	3	3	3				
24-1	2	23887-100002	PLUG, 10	3	3	3	3				N
25	2	26116-060182	BOLT, M6X 18 PLATED (D=E/XXXX)	2	2	2	2				
25-1	2	26015-060182	BOLT M 6X 18 (A=E/XXXX)	2	2	2	2				N
26	2	26116-080162	BOLT, M8X 16 PLATED (B=E/XXXX)	2	2	2	2				
26-1	2	26116-080252	BOLT, M8X 25 PLATED (C=E/XXXX)	2	2	2	2				S
26-2	2	26106-080222	BOLT, M8X 22 PLATED (D=E/#01077)	2	2	2	2				N
27	2	26116-080222	STUD, M8X 22 (A=E/#85862)	2	2	2	2				
28	2	26716-080002	NUT, M8 (B=E/#85862)	2	2	2	2				
28-1	2	26366-080002	NUT, M8 (C=E/#85862)	2	2	2	2				N
29	2	27233-400000	PLUG, 40 (D=E/#85862)	1	1	1	1				
29-1	2	27231-400000	PLUG 40 (A=E/XXXX)	1	1	1	1				N
30	2	27243-300000	PLUG, 30 (B=E/XXXX)	2	2	2	2				
30-1	2	27241-300000	PLUG 30 (C=E/XXXX)	2	2	2	2				N
31	2	43400-500410	SEAL WASHER 8 (D=E/XXXX)	2	2	2	2				
32	2	721250-02500	HOUSING ASSY, METAL	1	1	1	1				
32-1	2	724701-02500	HOUSING ASSY, METAL (A=E/XXXX)	1	1	1	1				S
32-2	2	724701-02501	HOUSING ASSY (B=E/XXXX)	1	1	1	1				S
33	2	124460-02150	GASKET (C=E/#87652)	1	1	1	1				
34	2	26116-100252	BOLT, M10X 25 PLATED (D=E/#87652)	5	5	5	5				
34-1	2	26013-100252	BOLT, M10X 25 (A=E/XXXX)	5	5	5	5				N
35	2	22217-100000	WASHER, SPRING 10 (B=E/#87652)	5	5	5	5				Z
36	2	121250-02100	BEARING, MAIN (C=E/#87652)	1	1	1	1				
37	1	724763-01900	LINER ASSY, CYLINDER	3	3	3	3				
39	1	124550-01300	GASKET, LINER	3	3	3	3				
40	1	124550-01300	GASKET, LINER	3	3	3	3				
40-1	1	121420-01300	GASKET, LINER (A=E/#83658)	3	3	3	3				N
41	1	721400-01540	SUMP ASSY, OIL (B=E/#83658)	1	1	1	1				
41-1	1	721400-01541	SUMP ASSY, OIL (C=E/#83658)	1	1	1	1				N
43	2	124060-01640	PLUG, M12 (A=E/G00711)	2	2	2	2				
43-1	2	121400-01640	PLUG, 16 (B=E/G00711)	2	2	2	2				S
43-2	2	121400-01640	PLUG, 16 (C=E/G00711)	3	3	3	3				K

N:Old $\frac{100}{100}$ New, Q:Old $\frac{100}{100}$ New, R:Old $\frac{100}{100}$ New, S:Old $\frac{100}{100}$ New, W:Add, Z:Discontinued, F:Interchangeable by set, K:Q'ty Change
 ++ CONTINUE ++
 Copyright (C) YANMAR CO., LTD. All Rights Reserved.

Fig.37. CYLINDER BLOCK

Fig.37 CYLINDER BLOCK

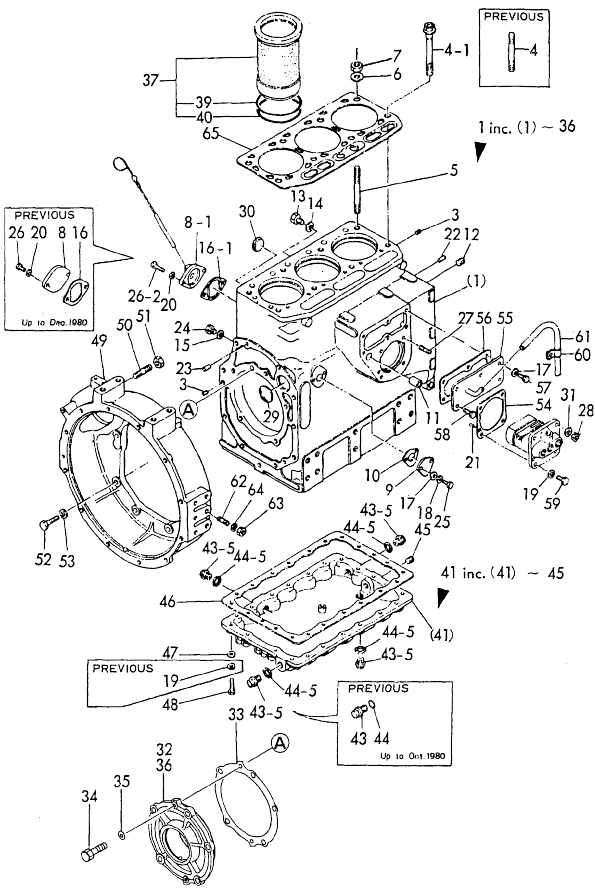


No.	Lev.	Parts No.	Description	Q'ty						I	R
				(A)	(B)	(C)	(D)	(E)	(F)		
43-3	2	105425-01690	PLUG, 16	3	3	3	3			S	
43-4	2	105425-01690	PLUG, 16	4	4	4	4			K	
43-5	2	121400-01640	PLUG, 16	4	4	4	4			N	
44	2	24311-000140	O-RING, 1AP14.0	2	2	2	2				
44-1	2	24311-000180	O-RING, 1AP18.0	2	2	2	2			S	
44-2	2	24311-000180	O-RING, 1AP18.0	3	3	3	3			K	
44-3	2	43400-500490	SEAL WASHER 16	3	3	3	3			S	
44-4	2	43400-500490	SEAL WASHER 16	4	4	4	4			K	
44-5	2	24311-000180	O-RING, 1AP18.0	4	4	4	4			N	
45	2	124160-01910	PLUG, PT1/4	1	1	1	1				
46	1	121250-01750	GASKET, OIL SUMP	1	1	1	1				
46-1	1	121250-01751	GASKET, OIL SUMP	1	1	1	1			N	
47	1	22137-080000	WASHER, 8	20	20	20	20			Z	
48	1	26116-080302	BOLT, M8X 30 PLATED	20	20	20	20				
48-1	1	26014-080302	BOLT, M8X 30	20	20	20	20			N	
49	1	121400-01600	HOUSING, FLYWHEEL	1	1	1	1				
50	1	26226-120252	STUD, M12X 25	2	2	2	2				
50-1	1	26216-120252	STUD, M12X 25	2	2	2	2			R	
51	1	26716-120002	NUT, M12	2	2	2	2				
52	1	26116-100352	BOLT, M10X 35 PLATED	9	9	9	9				
52-1	1	26206-100352	BOLT, M10X 35 PLATED	9	9	9	9			N	
53	1	22137-100000	WASHER, 10	9	9	9	9				
53-1	1	22117-100000	WASHER, 10	9	9	9	9			N	
54	1	121250-51950	SHIM SET, ADJUSTING	1	1	1	1				
54-1	1	121250-01951	SHIM SET, ADJUSTING	1	1	1	1			N	
55	1	121250-01850	COVER	1	1	1	1				
56	1	124160-01862	GASKET	1	1	1	1				
56-1	1	124160-01863	GASKET	1	1	1	1			N	
57	1	26116-060142	BOLT, M6X 14 PLATED	4	4	4	4				
57-1	1	26106-060122	BOLT, M6X 12 PLATED	4	4	4	4			N	
58	1	26116-060162	BOLT, M6X 16 PLATED	2	2	2	2				
58-1	1	26106-060142	BOLT, M6X 14 PLATED	2	2	2	2			N	

N:Old, Q:New, R:Old, S:New, W:Add, Z:Discontinued, F:Interchangeable by set, K:Q'ty Change
 ++ CONTINUE ++
 Copyright (C) YANMAR CO., LTD. All Rights Reserved.

Fig.37. CYLINDER BLOCK

Fig. **37** CYLINDER BLOCK

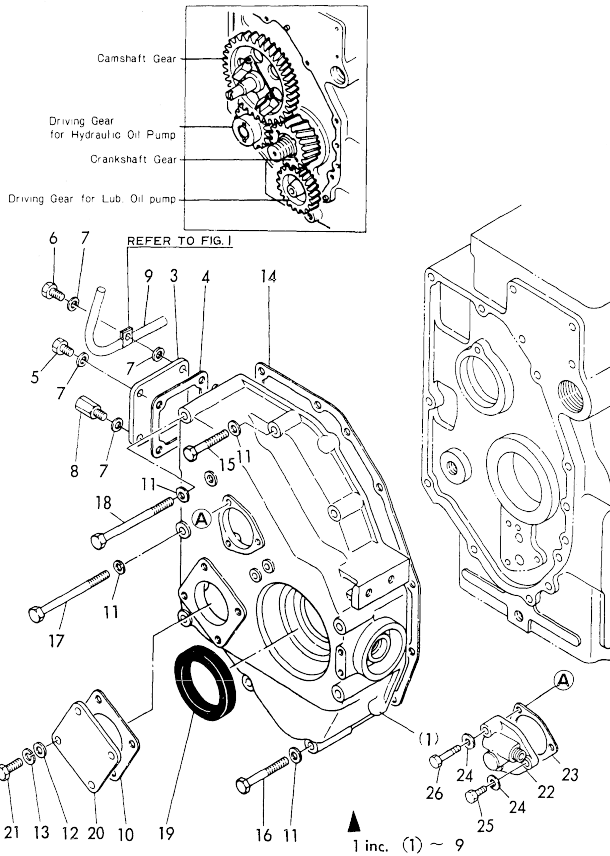


No.	Lev.	Parts No.	Description	Q'ty						I	R
				(A)	(B)	(C)	(D)	(E)	(F)		
59	1	26116-080222	BOLT, M8X 22 PLATED	2	2	2	2				
59-1	1	26013-080222	BOLT, M8X 22	2	2	2	2				N
		(A=E/#85862) (B=E/#85862) (C=E/#85862) (D=E/#85862)									
60	1	124160-01650	CLAMP, PIPE	1	1	1	1				
61	1	23065-090560	PIPE, 9X 560	1	1	1	1				
61-1	1	23065-090500	PIPE, 9X 500	1	1	1	1				N
		(A=E/XXXX) (B=E/XXXX) (C=E/XXXX) (D=E/XXXX)									
62	1	26226-100222	STUD, M10X 22	8	8	8	8				
62-1	1	26226-100252	STUD, M10X 25	8	8	8	8				R
		(A=E/XXXX) (B=E/XXXX) (C=E/XXXX) (D=E/XXXX)									
63	1	26716-100002	NUT, M10	8	8	8	8				
63-1	1	26706-100002	NUT, M10	8	8	8	8				N
		(A=E/#85862) (B=E/#85862) (C=E/#85862) (D=E/#85862)									
64	1	22217-100000	WASHER, SPRING 10	8	8	8	8				
65	1	121400-01330	GASKET, HEAD	1	1	1	1				

N:Old $\frac{100}{100}$ New, Q:Old $\frac{100}{100}$ New, R:Old $\frac{100}{100}$ New, S:Old $\frac{100}{100}$ New, W:Add, Z:Discontinued, F:Interchangeable by set, K:Q'ty Change
 Copyright (C) YANMAR CO., LTD. All Rights Reserved.

Fig.38. GEAR HOUSING

Fig. **38** GEAR HOUSING

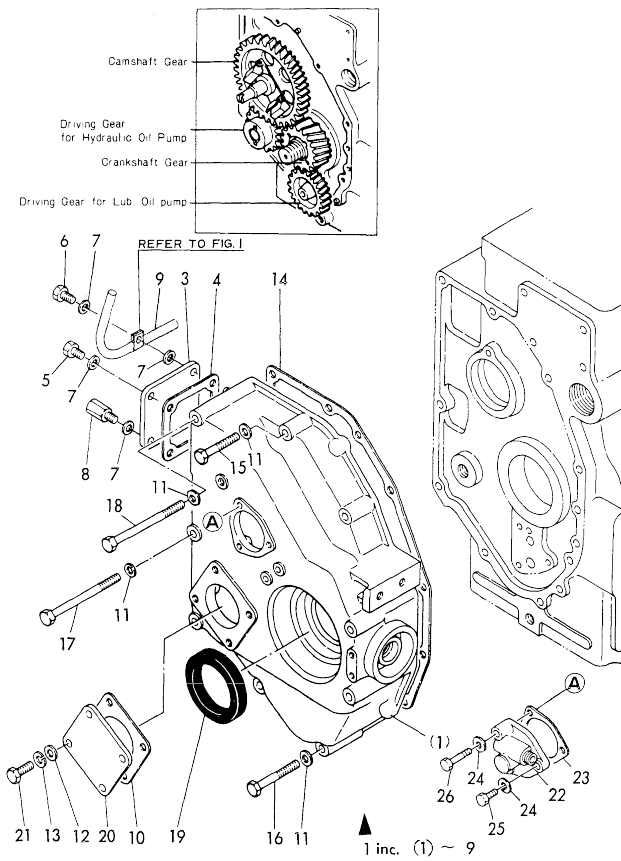


No.	Lev.	Parts No.	Description	Q'ty						I	R
				(A)	(B)	(C)	(D)	(E)	(F)		
1	1	724160-01612	CASE ASSY, GEAR	1	1	1	1				
3	2	121250-01550	COVER	1	1	1	1				
4	2	124160-01531	GASKET	1	1	1	1				
4-1	2	124160-01532	GASKET	1	1	1	1				N
		(A=E/XXX) (B=E/XXX) (C=E/XXX) (D=E/XXX)									
5	2	26116-080122	BOLT, M8X 12 PLATED	1	1	1	1				
5-1	2	26116-080142	BOLT M 8X 14 PLATED	1	1	1	1				R
		(A=E/XXX) (B=E/XXX) (C=E/XXX) (D=E/XXX)									
5-2	2	26106-080142	BOLT, M8X 14 PLATED	1	1	1	1				N
		(A=E/#85862) (B=E/#85862) (C=E/#85862) (D=E/#85862)									
6	2	26116-080162	BOLT, M8X 16 PLATED	1	1	1	1				
6-1	2	26116-080142	BOLT M 8X 14 PLATED	1	1	1	1				R
		(A=E/XXX) (B=E/XXX) (C=E/XXX) (D=E/XXX)									
6-2	2	26106-080142	BOLT, M8X 14 PLATED	1	1	1	1				N
		(A=E/#85862) (B=E/#85862) (C=E/#85862) (D=E/#85862)									
7	2	23414-080000	GASKET, 8X1.0	5	5	5	5				Z
		(A=E/XXX) (B=E/XXX) (C=E/XXX) (D=E/XXX)									
8	2	121400-01950	BOLT, M8X15	2	2	2	2				
9	2	23065-090560	PIPE, 9X 560	1	1	1	1				
9-1	2	23065-090500	PIPE, 9X 500	1	1	1	1				N
		(A=E/XXX) (B=E/XXX) (C=E/XXX) (D=E/XXX)									
10	1	124240-01881	GASKET	1	1	1	1				
10-1	1	124240-01882	GASKET	1	1	1	1				N
		(A=E/XXX) (B=E/XXX) (C=E/XXX) (D=E/XXX)									
10-2	1	124240-01883	GASKET	1	1	1	1				N
		(A=E/#90311) (B=E/#90311) (C=E/#90311) (D=E/#90311)									
11	1	22117-080000	WASHER, 8	9	9	9	9				Z
		(A=E/XXX) (B=E/XXX) (C=E/XXX) (D=E/XXX)									
12	1	22137-080000	WASHER, 8	4	4	4	4				Z
		(A=E/XXX) (B=E/XXX) (C=E/XXX) (D=E/XXX)									
13	1	22217-080000	WASHER, SPRING 8	4	4	4	4				
14	1	124450-01511	GASKET, GEAR CASE	1	1	1	1				
14-1	1	124450-01512	GASKET, GEAR CASE	1	1	1	1				N
		(A=E/XXX) (B=E/XXX) (C=E/XXX) (D=E/XXX)									
15	1	26116-080502	BOLT, M8X 50 PLATED	2	2	2	2				
15-1	1	26106-080502	BOLT, M8X 50 PLATED	2	2	2	2				N
		(A=E/#85862) (B=E/#85862) (C=E/#85862) (D=E/#85862)									
16	1	26116-080602	BOLT, M8X 60 PLATED	2	2	2	2				
16-1	1	26106-080602	BOLT, M8X 60 PLATED	2	2	2	2				N
		(A=E/#85862) (B=E/#85862) (C=E/#85862) (D=E/#85862)									
17	1	26116-081002	BOLT, M8X100 PLATED	4	4	4	4				
17-1	1	26106-081002	BOLT, M8X100 PLATED	4	4	4	4				N
		(A=E/#85862) (B=E/#85862) (C=E/#85862) (D=E/#85862)									
18	1	26116-081052	BOLT, M8X105 PLATED	1	1	1	1				
18-1	1	26116-081002	BOLT, M8X100 PLATED	1	1	1	1				S
		(A=E/XXX) (B=E/XXX) (C=E/XXX) (D=E/XXX)									
18-2	1	26106-081002	BOLT, M8X100 PLATED	1	1	1	1				N
		(A=E/#85862) (B=E/#85862) (C=E/#85862) (D=E/#85862)									
19	1	124450-01800	SEAL, HTC588012	1	1	1	1				
20	1	124240-01870	COVER	1	1	1	1				
20-1	1	124240-01871	COVER	1	1	1	1				F

N:Old *New. Q:Old *New. R:Old *New. S:Old *New. W:Add. Z:Discontinued. F:Interchangeable by set. K:Q'ty Change
 ++ CONTINUE ++
 Copyright (C) YANMAR CO., LTD. All Rights Reserved.

Fig.38. GEAR HOUSING

Fig. **38** GEAR HOUSING

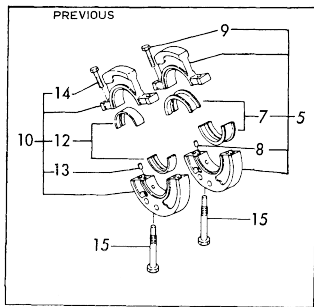
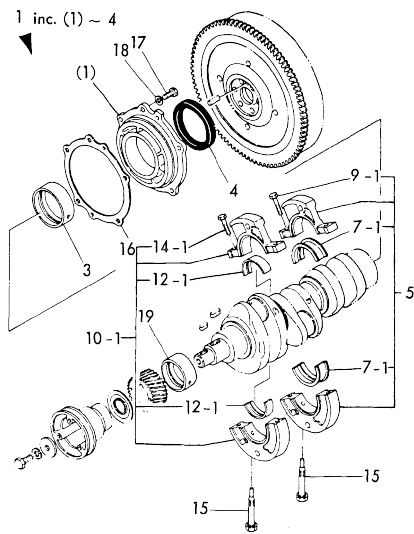


No.	Lev.	Parts No.	Description	Q'ty						I	R
				(A)	(B)	(C)	(D)	(E)	(F)		
21	1	26116-080222	BOLT, M8X 22 PLATED								
21-1	1	26116-080182	BOLT, M8X 18 PLATED	4	4	4	4				S
21-2	1	26104-080182	BOLT M 8X 18	4	4	4	4				N
22	1	124250-91400	GEAR	1	1	1	1				
23	1	124250-91411	GASKET	1	1	1	1				
23-1	1	124250-91412	GASKET	1	1	1	1				N
24	1	23414-060000	GASKET, 6X1.0	3	3	3	3				
25	1	26116-060162	BOLT, M6X 16 PLATED	2	2	2	2				
25-1	1	26106-060162	BOLT, M6X 16 PLATED	2	2	2	2				N
26	1	26116-060322	BOLT, M6X 32 PLATED	1	1	1	1				
26-1	1	26106-060322	BOLT, M6X 32 PLATED	1	1	1	1				N

N:Old $\frac{100}{100}$ New, Q:Old $\frac{100}{100}$ New, R:Old $\frac{100}{100}$ New, S:Old $\frac{100}{100}$ New, W:Add, Z:Discontinued, F:Interchangeable by set, K:Q'ty Change
 Copyright (C) YANMAR CO., LTD. All Rights Reserved.

Fig.39. MAIN BEARING HOUSING

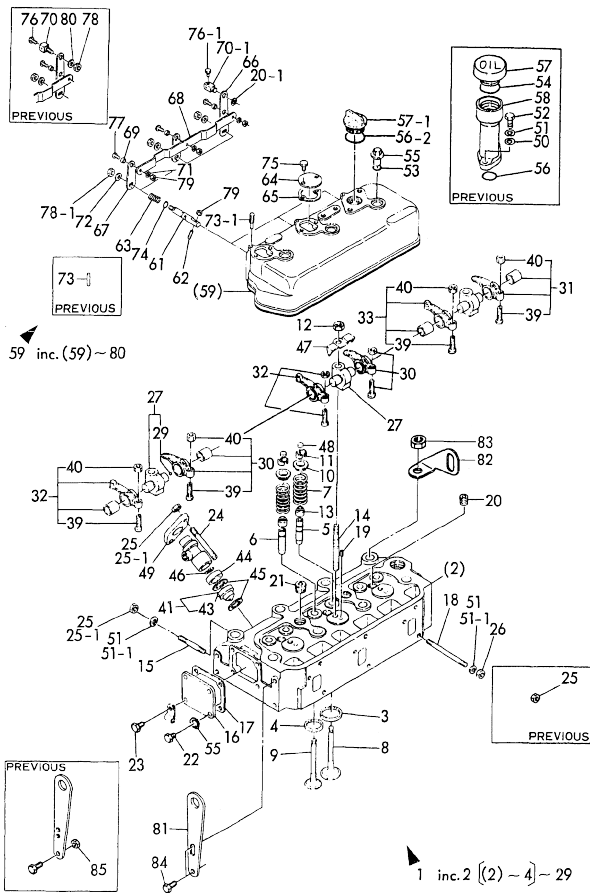
Fig. 39 MAIN BEARING HOUSING



No.	Lev.	Parts No.	Description	Q'ty						I	R
				(A)	(B)	(C)	(D)	(E)	(F)		
1	1	721250-02500	HOUSING ASSY, METAL	1	1	1	1				
1-1	1	724701-02500	HOUSING ASSY, METAL	1	1	1	1				S
		(A=E/#G00351) (B=E/#G00351) (C=E/#G00351) (D=E/#G00351)									
1-2	1	724701-02501	HOUSING ASSY	1	1	1	1				S
		(A=E/#87652) (B=E/#87652) (C=E/#87652) (D=E/#87652)									
3	2	121250-02110	BEARING, MAIN	1	1	1	1				
3-1	2	121250-02111	BEARING, MAIN	1	1	1	1				S
		(A=E/#87652) (B=E/#87652) (C=E/#87652) (D=E/#87652)									
4	2	121250-02220	SEAL, OIL	1	1	1	1				
5	1	721250-02610	HOUSING ASSY	1	1	1	1				
5-1	1	721250-02611	HOUSING ASSY, METAL	1	1	1	1				N
		(A=E/#G00746) (B=E/#G00746) (C=E/#G00746) (D=E/#G00746)									
7	2	121250-02120	BEARING, MAIN	1	1	1	1				
7-1	2	121250-02121	BEARING, MAIN	2	2	2	2				S
		(A=E/#87652) (B=E/#87652) (C=E/#87652) (D=E/#87652)									
8	2	22312-060140	PIN, PARALLEL M6X14	2	2	2	2				Z
		(A=E/#G00746) (B=E/#G00746) (C=E/#G00746) (D=E/#G00746)									
9	2	26112-100501	BOLT M10X 50	2	2	2	2				
9-1	2	121250-02070	BOLT	2	2	2	2				S
		(A=E/#G00746) (B=E/#G00746) (C=E/#G00746) (D=E/#G00746)									
10	1	721250-02620	HOUSING ASSY	1	1	1	1				
10-1	1	721250-02621	HOUSING ASSY, METAL	1	1	1	1				N
		(A=E/#G00746) (B=E/#G00746) (C=E/#G00746) (D=E/#G00746)									
12	2	121250-02130	BEARING, MAIN	1	1	1	1				
12-1	2	121250-02131	BEARING, 2.00 US	2	2	2	2				S
		(A=E/#87652) (B=E/#87652) (C=E/#87652) (D=E/#87652)									
13	2	22312-060140	PIN, PARALLEL M6X14	2	2	2	2				Z
		(A=E/#G00746) (B=E/#G00746) (C=E/#G00746) (D=E/#G00746)									
14	2	26112-100501	BOLT M10X 50	2	2	2	2				
14-1	2	121250-02070	BOLT	2	2	2	2				S
		(A=E/#G00746) (B=E/#G00746) (C=E/#G00746) (D=E/#G00746)									
15	1	121150-02300	BOLT	2	2	2	2				
16	1	124460-02150	GASKET	1	1	1	1				
17	1	26116-100252	BOLT, M10X 25 PLATED	5	5	5	5				
17-1	1	26013-100252	BOLT, M10X 25	5	5	5	5				N
		(A=E/XXXX) (B=E/XXXX) (C=E/XXXX) (D=E/XXXX)									
18	1	22217-100000	WASHER, SPRING 10	5	5	5	5				Z
		(A=E/XXXX) (B=E/XXXX) (C=E/XXXX) (D=E/XXXX)									
19	1	121250-02100	BEARING, MAIN	1	1	1	1				
19-1	1	121250-02101	BEARING, MAIN	1	1	1	1				N
		(A=E/#87652) (B=E/#87652) (C=E/#87652) (D=E/#87652)									

Fig.40. CYLINDER HEAD & BONNET

Fig. 40 CYLINDER HEAD & BONNET



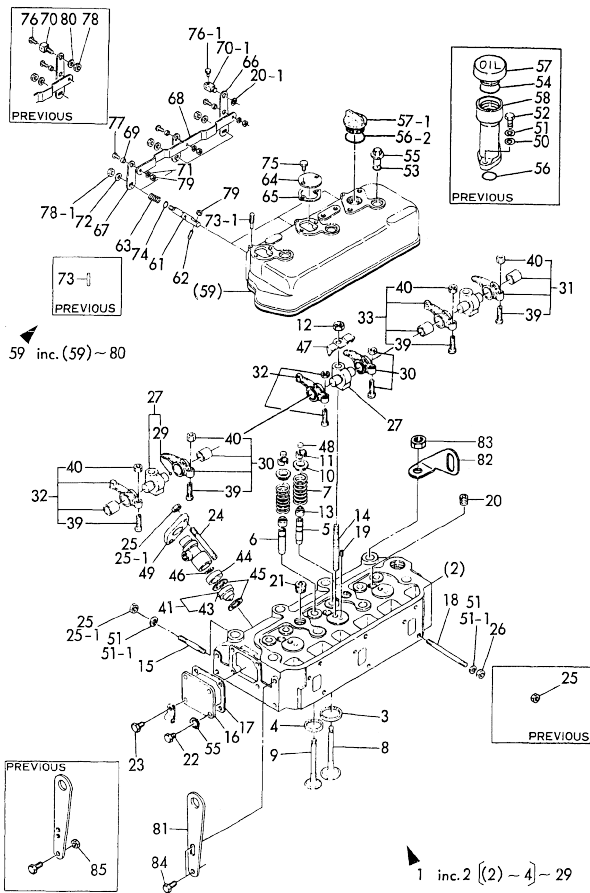
(A)=3T90LE
(B)=3T90LE-G1
(C)=3T90LE-TA
(D)=3T90LE-TB
(E)=
(F)=

No.	Lev.	Parts No.	Description	Q'ty						I	R
				(A)	(B)	(C)	(D)	(E)	(F)		
1	1	721400-11700	HEAD ASSY, CYLINDER	1	1	1	1				
1-1	1	721400-11701	HEAD ASSY, CYLINDER	1	1	1	1				N
		(A=E/#85862) (B=E/#85862) (C=E/#85862) (D=E/#85862)									
2	2	121400-11000	HEAD ASSY, CYLINDER	1	1	1	1				W
		(A=E/#85862) (B=E/#85862) (C=E/#85862) (D=E/#85862)									
3	3	121400-11080	SEAT, INTAKE VALVE	3	3	3	3				
4	3	124700-11090	SEAT, EXHAUST VALVE	3	3	3	3				
4-1	3	124770-11090	SEAT, EXHAUST VALVE	3	3	3	3				N
		(A=E/#85862) (B=E/#85862) (C=E/#85862) (D=E/#85862)									
5	3	124450-11160	GUIDE, VALVE	3	3	3	3				
5-1	3	124450-11161	GUIDE, VALVE	3	3	3	3				N
		(A=E/XXXX) (B=E/XXXX) (C=E/XXXX) (D=E/XXXX)									
5-2	3	124450-11800	GUIDE, VALVE	3	3	3	3				N
		(A=E/XXXX) (B=E/XXXX) (C=E/XXXX) (D=E/XXXX)									
5-3	3	120130-11160	GUIDE, VALVE	3	3	3	3				N
		(A=E/#89681) (B=E/#89681) (C=E/#89681) (D=E/#89681)									
6	3	124450-11170	GUIDE, VALVE	3	3	3	3				
6-1	3	124450-11171	GUIDE, VALVE	3	3	3	3				N
		(A=E/XXXX) (B=E/XXXX) (C=E/XXXX) (D=E/XXXX)									
6-2	3	124450-11810	GUIDE, VALVE	3	3	3	3				N
		(A=E/XXXX) (B=E/XXXX) (C=E/XXXX) (D=E/XXXX)									
6-3	3	129150-11170	GUIDE, VALVE	3	3	3	3				N
		(A=E/#87974) (B=E/#87974) (C=E/#87974) (D=E/#87974)									
7	2	121400-11120	SPRING, VALVE	6	6	6	6				
7-1	2	121400-11121	SPRING, VALVE	6	6	6	6				N
		(A=E/XXXX) (B=E/XXXX) (C=E/XXXX) (D=E/XXXX)									
7-2	2	124772-11120	SPRING, VALVE	6	6	6	6				N
		(A=E/XXXX) (B=E/XXXX) (C=E/XXXX) (D=E/XXXX)									
8	2	121400-11101	VALVE, INTAKE	3	3	3	3				
9	2	121400-11110	VALVE, EXHAUST	3	3	3	3				
10	2	103338-11180	RETAINER, SPRING	6	6	6	6				
11	2	103338-11190	COTTER	6	6	6	6				
12	2	124460-11270	NUT, M12	3	3	3	3				
13	2	121400-11340	SEAL, VALVE STEM	6	6	6	6				
14	2	104700-11350	STUD	3	3	3	3				
15	2	121250-11550	BOLT	2	2	2	2				
16	2	124450-11671	COVER, CYLINDER HEAD	1	1	1	1				
17	2	124450-11681	GASKET	1	1	1	1				
18	2	121250-13530	BOLT	6	6	6	6				
19	2	22351-060014	PIN, SPRING 6.0X14	3	3	3	3				
19-1	2	22351-060012	PIN, SPRING 6.0X12	3	3	3	3				N
		(A=E/#85862) (B=E/#85862) (C=E/#85862) (D=E/#85862)									
20	2	23873-020000	PLUG, R02	3	3	3	3				
20-1	2	23871-020000	PLUG, R02	3	3	3	3				N
		(A=E/XXXX) (B=E/XXXX) (C=E/XXXX) (D=E/XXXX)									
21	2	23873-040000	PLUG, R04	2	2	2	2				
21-1	2	23871-040000	PLUG, R04	2	2	2	2				N
		(A=E/XXXX) (B=E/XXXX) (C=E/XXXX) (D=E/XXXX)									
22	2	26116-080142	BOLT M 8X 14 PLATED	3	3	3	3				
22-1	2	26106-080102	BOLT, M8X 10 PLATED	3	3	3	3				N
		(A=E/#85862) (B=E/#85862) (C=E/#85862) (D=E/#85862)									

N:Old $\frac{REV}{REV}$ New. Q:Old $\frac{REV}{REV}$ New. R:Old $\frac{REV}{REV}$ New. S:Old $\frac{REV}{REV}$ New. W:Add. Z:Discontinued. F:Interchangeable by set. K:Q'ty Change
 ++ CONTINUE ++
 Copyright (C) YANMAR CO., LTD. All Rights Reserved.

Fig.40. CYLINDER HEAD & BONNET

Fig. 40 CYLINDER HEAD & BONNET

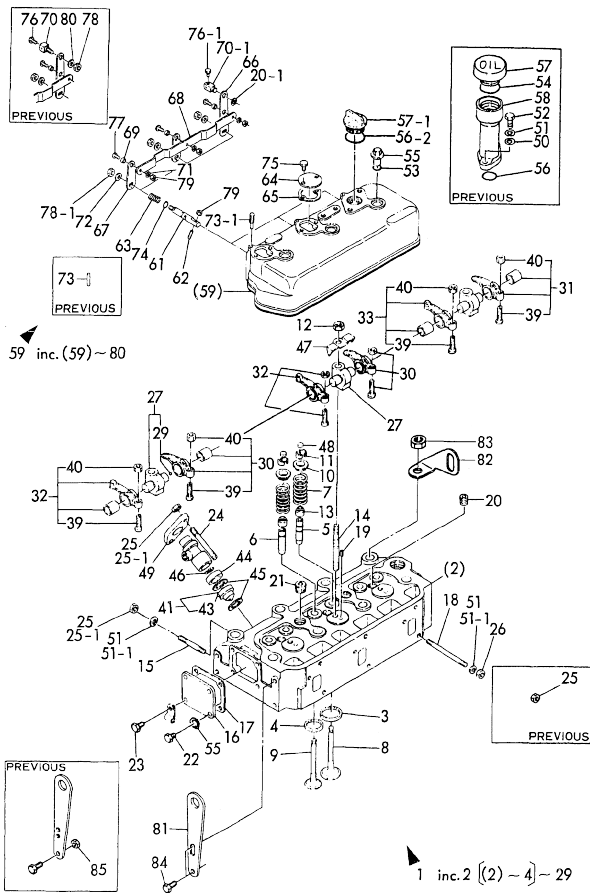


No.	Lev.	Parts No.	Description	Q'ty						I	R
				(A)	(B)	(C)	(D)	(E)	(F)		
23	2	26116-080162	BOLT, M8X 16 PLATED	1	1	1	1				
23-1	2	26106-080142	BOLT, M8X 14 PLATED	1	1	1	1			N	
		(A=E/#90311) (B=E/#90311) (C=E/#90311) (D=E/#90311)									
24	2	26216-080502	STUD, M8X 50	6	6	6	6				
25	2	26716-080002	NUT, M8	14	14	14	14				
25-1	2	26716-080002	NUT, M8	8	8	8	8			K	
		(A=E/XXXX) (B=E/XXXX) (C=E/XXXX) (D=E/XXXX)									
25-2	2	26366-080002	NUT, M8	8	8	8	8			N	
		(A=E/XXXX) (B=E/XXXX) (C=E/XXXX) (D=E/XXXX)									
26	2	26756-080002	NUT, LOCK M8	6	6	6	6			N	
		(A=E/XXXX) (B=E/XXXX) (C=E/XXXX) (D=E/XXXX)									
27	1	124772-11250	SUPPORT	3	3	3	3				
29	2	24190-060001	BALL, STEEL 3/16	3	3	3	3				
29-1	2	24190-060002	BALL, STEEL 3/16	3	3	3	3			N	
		(A=E/XXXX) (B=E/XXXX) (C=E/XXXX) (D=E/XXXX)									
30	1	721250-11650	ARM ASSY, ROCKER	2	2	2	2				
30-1	1	121250-11620	ARM, VALVE ROCKER	2	2	2	2			N	
		(A=E/#85862) (B=E/#85862) (C=E/#85862) (D=E/#85862)									
31	1	721250-11680	ARM ASSY, ROCKER	1	1	1	1				
31-1	1	121250-11630	ARM, VALVE ROCKER	1	1	1	1			N	
		(A=E/XXXX) (B=E/XXXX) (C=E/XXXX) (D=E/XXXX)									
32	1	721250-11660	ARM ASSY, ROCKER	2	2	2	2				
32-1	1	121250-11640	ARM, VALVE ROCKER	2	2	2	2			N	
		(A=E/XXXX) (B=E/XXXX) (C=E/XXXX) (D=E/XXXX)									
33	1	721250-11670	ARM ASSY, ROCKER	1	1	1	1				
33-1	1	121250-11650	ARM, VALVE ROCKER	1	1	1	1			N	
		(A=E/XXXX) (B=E/XXXX) (C=E/XXXX) (D=E/XXXX)									
39	2	101158-11230	SCREW, VALVE ADJUST	6	6	6	6				
39-1	2	111100-11230	SCREW, VALVE ADJUST	6	6	6	6			N	
		(A=E/XXXX) (B=E/XXXX) (C=E/XXXX) (D=E/XXXX)									
40	2	26756-080002	NUT, LOCK M8	6	6	6	6				
40-1	2	26366-080002	NUT, M8	6	6	6	6			N	
		(A=E/#85862) (B=E/#85862) (C=E/#85862) (D=E/#85862)									
41	1	121400-11420	CHAMBER	3	3	3	3				
43	2	103338-11430	PIN	3	3	3	3				
44	1	104900-11410	CHAMBER	3	3	3	3				
45	1	104900-11450	GASKET, CHAMBER	6	6	6	6				
46	1	103854-11490	INSULATOR	3	3	3	3				
47	1	124450-11290	RETAINER	3	3	3	3				
48	1	104511-11370	CAP VALVE	6	6	6	6				
49	1	173400-11900	FLANGE	3	3	3	3				
50	1	22137-080000	WASHER, 8	5	5	5	5				
50-1	1	22137-080000	WASHER, 8	3	3	3	3			K	
		(A=*1980.08) (B=*1980.08) (C=*1980.08) (D=*1980.08)									
50-2	1	22137-080000	WASHER, 8	3	3	3	3			Z	
		(A=E/XXXX) (B=E/XXXX) (C=E/XXXX) (D=E/XXXX)									
51	1	22217-080000	WASHER, SPRING 8	12	12	12	12				
51-1	1	22217-080000	WASHER, SPRING 8	10	10	10	10				
51-2	1	22217-080000	WASHER, SPRING 8	6	6	6	6			K	
		(A=E/XXXX) (B=E/XXXX) (C=E/XXXX) (D=E/XXXX)									
52	1	26116-080222	BOLT, M8X 22 PLATED	2	2	2	2			Z	

N:Old $\frac{100}{100}$ New, Q:Old $\frac{100}{100}$ New, R:Old $\frac{100}{100}$ New, S:Old $\frac{100}{100}$ New, W:Add, Z:Discontinued, F:Interchangeable by set, K:Q'ty Change
 ++ CONTINUE ++
 Copyright (C) YANMAR CO., LTD. All Rights Reserved.

Fig.40. CYLINDER HEAD & BONNET

Fig. 40 CYLINDER HEAD & BONNET

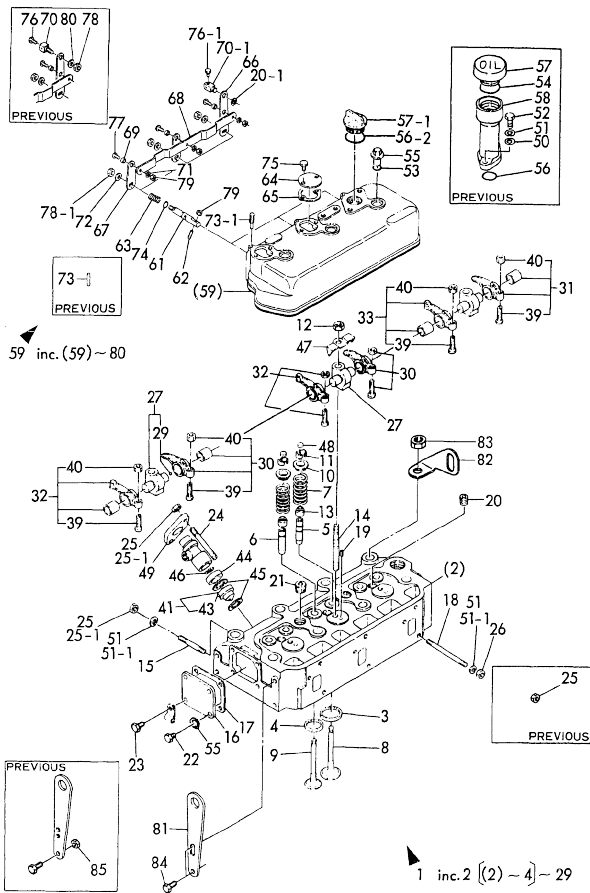


No.	Lev.	Parts No.	Description	Q'ty						I	R
				(A)	(B)	(C)	(D)	(E)	(F)		
		(A=*1980.08)	(B=*1980.08)	(C=*1980.08)	(D=*1980.08)						
53	1	24311-000140	O-RING, 1AP14.0		3	3	3	3			Z
54	1	24311-000320	O-RING, 1AP32.0		1	1	1	1			
		(A=*1980.08)	(B=*1980.08)	(C=*1980.08)	(D=*1980.08)						
55	1	124460-11360	CAP		3	3	3	3			
56	1	121256-03660	GASKET		1	1	1	1			
56-1	1	24321-000350	O-RING, 1AG35.0	(A=E*1980.08)	1	1	1	1			N
		(A=E*1980.08)	(B=E*1980.08)	(C=E*1980.08)	(D=E*1980.08)						
56-2	1	121420-01760	O-RING	(A=E*1980.08)	1	1	1	1			N
		(A=E*1980.08)	(B=E*1980.08)	(C=E*1980.08)	(D=E*1980.08)						
56-3	1	24311-000320	O-RING, 1AP32.0	(A=E*1980.08)	1	1	1	1			N
		(A=E*1980.08)	(B=E*1980.08)	(C=E*1980.08)	(D=E*1980.08)						
57	1	124722-11730	COVER	(A=E*1980.08)	1	1	1	1			
57-1	1	124160-01750	COVER	(A=E*1980.08)	1	1	1	1			R
		(A=E*1980.08)	(B=E*1980.08)	(C=E*1980.08)	(D=E*1980.08)						
57-2	1	124160-01751	COVER, FILLER	(A=E*1980.08)	1	1	1	1			R
		(A=E*1980.08)	(B=E*1980.08)	(C=E*1980.08)	(D=E*1980.08)						
58	1	121400-11740	PIPE	(A=E*1980.08)	1	1	1	1			Z
		(A=E*1980.08)	(B=E*1980.08)	(C=E*1980.08)	(D=E*1980.08)						
59	1	721400-11520	BONNET ASSY, HEAD	(A=E*1980.08)	1	1	1	1			
59-1	1	721400-11521	BONNET ASSY, HEAD	(A=E*1980.08)	1	1	1	1			N
		(A=E*1980.08)	(B=E*1980.08)	(C=E*1980.08)	(D=E*1980.08)						
61	2	121250-03610	SHAFT, DECOMPRESSION	(A=E*1980.08)	3	3	3	3			
62	2	124250-03630	SCREW	(A=E*1980.08)	3	3	3	3			
62-1	2	120220-03660	SCREW	(A=E*1980.08)	3	3	3	3			N
		(A=E*1980.08)	(B=E*1980.08)	(C=E*1980.08)	(D=E*1980.08)						
63	2	104200-03641	SPRING, DECOMPRESSION	(A=E*1980.08)	3	3	3	3			
64	2	124460-03650	COVER	(A=E*1980.08)	2	2	2	2			
65	2	124460-03662	GASKET	(A=E*1980.08)	2	2	2	2			
65-1	2	124460-03663	GASKET	(A=E*1980.08)	2	2	2	2			N
		(A=E*1980.08)	(B=E*1980.08)	(C=E*1980.08)	(D=E*1980.08)						
66	2	121250-03740	LEVER, DECOMPRESSION	(A=E*1980.08)	1	1	1	1			
67	2	121250-03751	LEVER, DECOMPRESSION	(A=E*1980.08)	2	2	2	2			
67-1	2	121462-03740	LEVER, DECOMPRESSION	(A=E*1980.08)	2	2	2	2			N
		(A=E*1980.08)	(B=E*1980.08)	(C=E*1980.08)	(D=E*1980.08)						
68	2	121400-03760	CONNECTOR	(A=E*1980.08)	1	1	1	1			
69	2	121250-03770	COLLAR	(A=E*1980.08)	3	3	3	3			
70	2	121250-03782	RETAINER, WIRE	(A=E*1980.08)	1	1	1	1			
70-1	2	121250-03783	RETAINER, INNER WIRE	(A=E*1980.08)	1	1	1	1			S
		(A=E*1980.08)	(B=E*1980.08)	(C=E*1980.08)	(D=E*1980.08)						
71	2	22117-050000	WASHER, 5	(A=E*1980.08)	3	3	3	3			Z
		(A=E*1980.08)	(B=E*1980.08)	(C=E*1980.08)	(D=E*1980.08)						
72	2	22117-060000	WASHER, 6	(A=E*1980.08)	3	3	3	3			Z
		(A=E*1980.08)	(B=E*1980.08)	(C=E*1980.08)	(D=E*1980.08)						
73	2	22312-030250	PIN, PARALLEL M3X25	(A=E*1980.08)	3	3	3	3			
73-1	2	124250-03640	SCREW	(A=E*1980.08)	3	3	3	3			S
		(A=E*1980.08)	(B=E*1980.08)	(C=E*1980.08)	(D=E*1980.08)						
74	2	24311-000070	O-RING, 1AP7.0	(A=E*1980.08)	3	3	3	3			
75	2	26116-060102	BOLT, M6X 10 PLATED	(A=E*1980.08)	4	4	4	4			
75-1	2	26106-060102	BOLT, M6X 10 PLATED	(A=E*1980.08)	4	4	4	4			N
		(A=E*1980.08)	(B=E*1980.08)	(C=E*1980.08)	(D=E*1980.08)						

N:Old $\frac{REV}{REV}$ New. Q:Old $\frac{REV}{REV}$ New. R:Old $\frac{REV}{REV}$ New. S:Old $\frac{REV}{REV}$ New. W:Add. Z:Discontinued. F:Interchangeable by set. K:Q'ty Change
 ++ CONTINUE ++
 Copyright (C) YANMAR CO., LTD. All Rights Reserved.

Fig.40. CYLINDER HEAD & BONNET

Fig. 40 CYLINDER HEAD & BONNET

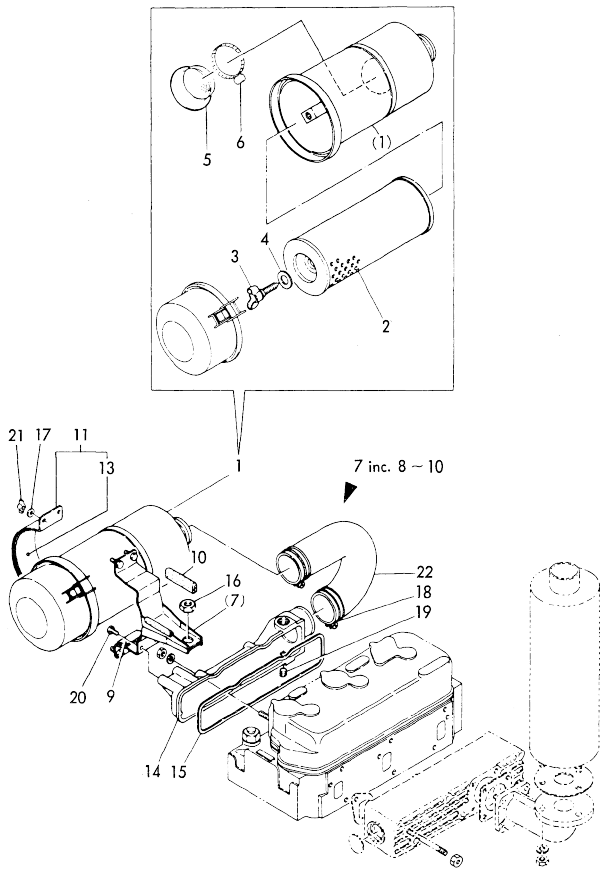


No.	Lev.	Parts No.	Description	Q'ty						I	R
				(A)	(B)	(C)	(D)	(E)	(F)		
76	2	26117-050088	BOLT M 5X 8 PLATED	1	1	1	1				
76-1	2	26116-050088	BOLT M 5X 8 PLATED	1	1	1	1				N
		(A=E/#85862) (B=E/#85862) (C=E/#85862) (D=E/#85862)									
77	2	26557-050162	SCREW, M5X16	3	3	3	3				
78	2	26716-060002	NUT, M6	4	4	4	4				
78-1	2	26716-060002	NUT, M6	3	3	3	3				K
		(A=E/XXXX) (B=E/XXXX) (C=E/XXXX) (D=E/XXXX)									
78-2	2	26366-060002	NUT, M6	3	3	3	3				N
		(A=E/#85862) (B=E/#85862) (C=E/#85862) (D=E/#85862)									
79	2	26756-050002	NUT, LOCK M5	6	6	6	6				
80	2	22117-060000	WASHER, 6	1	1	1	1				
80-1	2	22272-000060	RING, E- 6	1	1	1	1				S
		(A=E/XXXX) (B=E/XXXX) (C=E/XXXX) (D=E/XXXX)									
81	1	124736-07900	LIFTER	1	1	1	1				
82	1	121400-07910	LIFTER	1	1	1	1				
83	1	124450-44610	NUT, LOCK	1	1	1	1				
84	1	26116-080182	BOLT, M8X 18 PLATED	2	2	2	2				
84-1	1	26116-080122	BOLT, M8X 12 PLATED	2	2	2	2				S
		(A=E/XXXX) (B=E/XXXX) (C=E/XXXX) (D=E/XXXX)									
84-2	1	26106-080122	BOLT, M8X 12 PLATED	2	2	2	2				N
		(A=E/#85862) (B=E/#85862) (C=E/#85862) (D=E/#85862)									
85	1	26716-080002	NUT, M8	2	2	2	2				Z
		(A=E/XXXX) (B=E/XXXX) (C=E/XXXX) (D=E/XXXX)									

N:Old $\frac{100}{100}$ New, Q:Old $\frac{100}{100}$ New, R:Old $\frac{100}{100}$ New, S:Old $\frac{100}{100}$ New, W:Add, Z:Discontinued, F:Interchangeable by set, K:Q'ty Change
 Copyright (C) YANMAR CO., LTD. All Rights Reserved.

Fig.41. SUC.MANIFOLD & AIR CLEANER

Fig.41 SUCTION MANIFOLD & AIR CLEANER



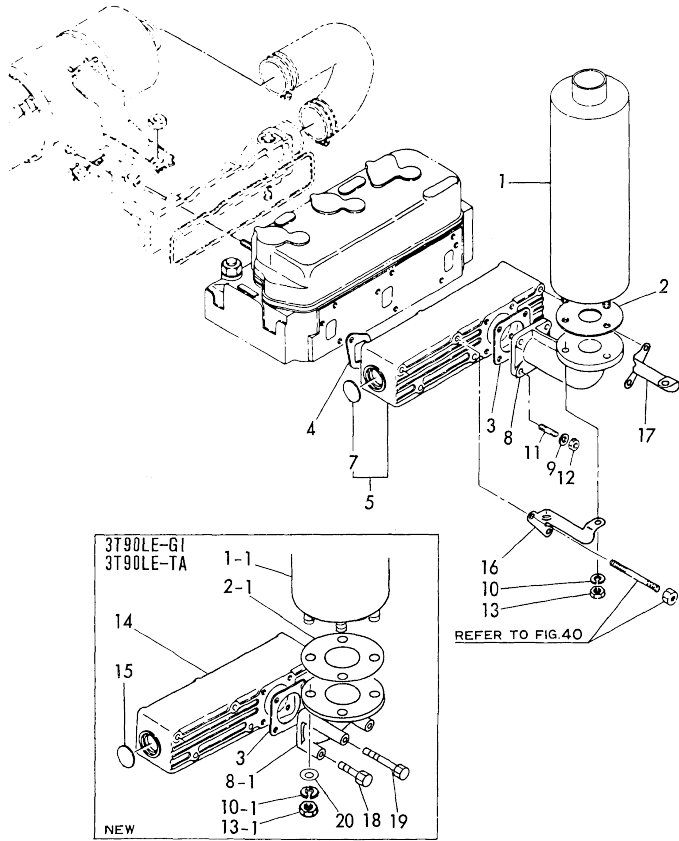
(A)=3T90LE
(B)=3T90LE-G1
(C)=3T90LE-TA
(D)=3T90LE-TB
(E)=
(F)=

No.	Lev.	Parts No.	Description	Qty						I	R
				(A)	(B)	(C)	(D)	(E)	(F)		
1	1	121400-12501	CLEANER ASSY, AIR	1	1	1	1				
2	2	121256-12510	ELEMENT	1	1	1	1				
3	2	121120-12560	BOLT	1	1	1	1				
4	2	121120-12570	WASHER, SEAL	1	1	1	1				
5	2	121400-12610	INTAKE, AIR	1	1	1	1				
6	2	121400-12620	BAND	1	1	1	1				
7	1	121250-12580	BAND, AIR CLEANER	1	1	1	1				
7-1	1	121400-12530	BAND, AIR CLEANER	1	1	1	1				N
		(A=E-XXXX) (B=E-XXXX) (C=E-XXXX) (D=E-XXXX)									
9	2	121400-12580	SEAT, RUBBER B	4	4	4	4				
10	2	121400-12590	PAD	2	2	2	2				
10-1	2	121400-12591	PAD	1	1	1	1				N
		(A=E-XXXX) (B=E-XXXX) (C=E-XXXX) (D=E-XXXX)									
11	1	121400-12540	BAND ASSY, CLEANER	1	1	1	1				
13	2	121400-12570	SEAT, RUBBER B	1	1	1	1				
14	1	121400-12700	MANIFOLD, AIR INTAKE	1	1	1	1				
15	1	121250-12710	GASKET, MANIFOLD	1	1	1	1				
16	1	124450-44610	NUT, LOCK	1	1	1	1				
17	1	22137-060000	WASHER, 6	4	4	4	4				Z
		(A=E-XXXX) (B=E-XXXX) (C=E-XXXX) (D=E-XXXX)									
18	1	23000-060000	CLAMP, 60	2	2	2	2				
19	1	23873-100000	PLUG PT 1	1	1	1	1				
19-1	1	23871-010000	PLUG, R01	1	1	1	1				N
		(A=E-XXXX) (B=E-XXXX) (C=E-XXXX) (D=E-XXXX)									
20	1	26116-060122	BOLT, M6X 12 PLATED	2	2	2	2				
20-1	1	26106-060142	BOLT, M6X 14 PLATED	2	2	2	2				N
		(A=E/#83658) (B=E/#83658) (C=E/#83658) (D=E/#83658)									
21	1	26637-060002	NUT, WING M6	4	4	4	4				
21-1	1	26366-060002	NUT, M6	4	4	4	4				N
		(A=E/#85862) (B=E/#85862) (C=E/#85862) (D=E/#85862)									
22	1	121400-12210	HOSE, AIR CLEANER	1	1	1	1				

N:Old $\frac{100}{100}$ New. Q:Old $\frac{100}{100}$ New. R:Old $\frac{100}{100}$ New. S:Old $\frac{100}{100}$ New. W:Add. Z:Discontinued. F:Interchangeable by set. K:Qty Change
Copyright (C) YANMAR CO., LTD. All Rights Reserved.

Fig.42. EXH.MANIFOLD & SILENCER

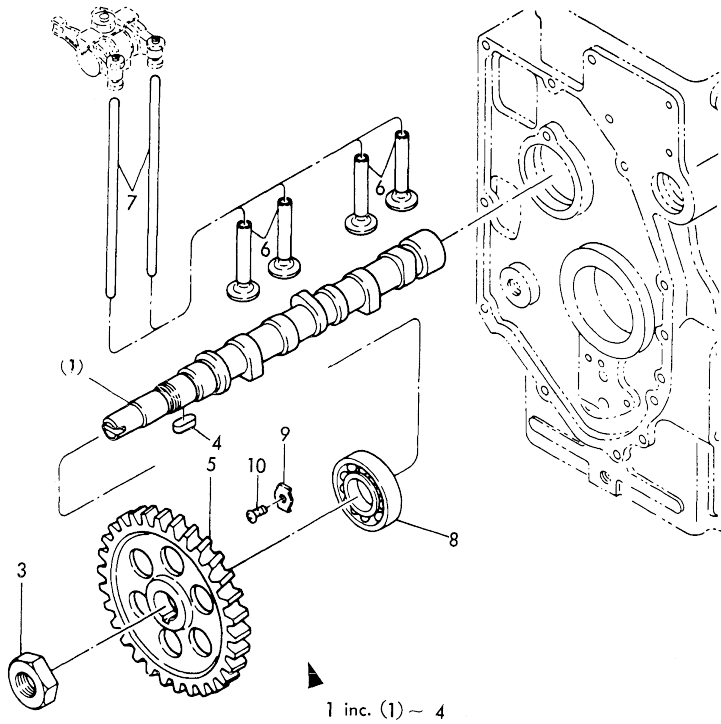
Fig.42 EXHAUST MANIFOLD & SILENCER



No.	Lev.	Parts No.	Description	Q'ty						I	R
				(A)	(B)	(C)	(D)	(E)	(F)		
1	1	124732-13510	SILENCER								
1-1	1	171010-13510	SILENCER (C=E/#86325) (D=E/#86325)	1	1	1	1				S
2	1	103954-13200	GASKET, SILENCER								
2-1	1	23446-040000	GASKET 40 (C=E/#86325) (D=E/#86325)	1	1	1	1				S
3	1	124701-11910	GASKET, SILENCER								
3-1	1	124701-11911	GASKET, SILENCER (A=E/#90311) (B=E/#90311) (C=E/#90311) (D=E/#90311)	1	1	1	1				N
4	1	121250-13520	GASKET								
5	1	721250-13500	MANIFOLD ASSY (A=E/XXX) (B=E/XXX) (C=E/XXX) (D=E/XXX)	3	3	3	3				Z
7	2	27233-350000	PLUG, 35 (A=E/XXX) (B=E/XXX) (C=E/XXX) (D=E/XXX)	1	1	1	1				Z
8	1	124732-13550	PIPE								
8-1	1	171010-13211	BEND, EXHAUST (C=E/#86325) (D=E/#86325)	1	1	1	1				S
9	1	22217-080000	WASHER, SPRING 8 (A=E/#85325) (B=E/#85325) (C=E/#85325) (D=E/#85325)	4	4	4	4				Z
10	1	22217-100000	WASHER, SPRING 10								
10-1	1	22217-100000	WASHER, SPRING 10 (C=E/#85325) (D=E/#85325)	3	3	3	3				K
11	1	26216-080252	STUD, M8X 25								
11-1	1	26216-080222	STUD, M8X 22 (A=E/XXX) (B=E/XXX)	4	4						R
11-2	1	26216-080252	STUD, M8X 25 (A=E/XXX) (B=E/XXX)	4	4						R
12	1	26716-080002	NUT, M8 (C=E/#86325) (D=E/#86325)	4	4	4	4				Z
13	1	26736-100002	NUT, M10								
13-1	1	26736-100002	NUT, M10 (C=E/#86325) (D=E/#86325)	3	3	3	3				K
14	1	121420-13510	MANIFOLD, EXHAUST (A=E/#87475) (B=E/#87475) (C=E/#87475) (D=E/#87475)	1	1	1	1				W
15	1	27231-350000	PLUG 35 (A=E/XXX) (B=E/XXX) (C=E/XXX) (D=E/XXX)	1	1	1	1				W
16	1	121400-13530	SUPPORT, SILENCER (A=E/#85862) (B=E/#85862)	1	1						W
17	1	121400-13540	SUPPORT, SILENCER (A=E/#85862) (B=E/#85862)	1	1						W
18	1	26116-080452	BOLT, M8X 45 PLATED (C=E/#83692) (D=E/#83692)					2	2		W
19	1	26116-080952	BOLT, M8X 95 PLATED (C=E/#83692) (D=E/#83692)					2	2		W
20	1	22137-100000	WASHER, 10 (C=E/#83692) (D=E/#83692)					4	4		W

Fig.43. CAMSHAFT

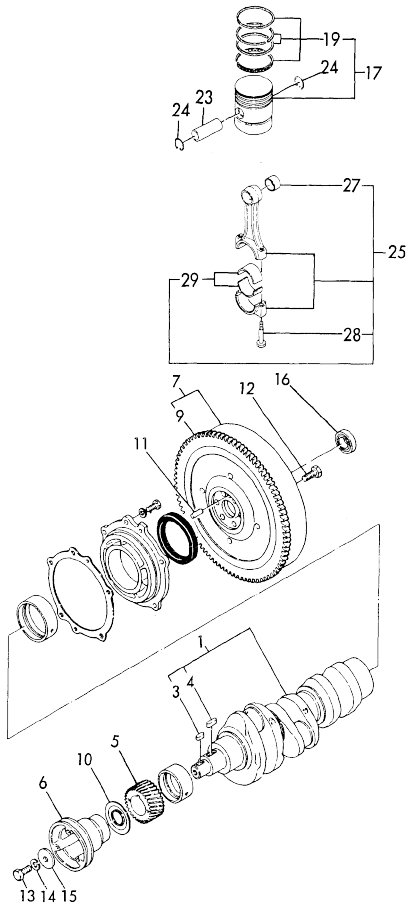
Fig. **43** CAMSHAFT



No.	Lev.	Parts No.	Description	Q'ty						I	R
				(A)	(B)	(C)	(D)	(E)	(F)		
1	1	721250-14580	CAMSHAFT ASSY	1	1	1	1				
3	2	124450-14120	NUT	1	1	1	1				
4	2	22512-070180	KEY, 7X 18	1	1	1	1				
5	1	121250-14100	GEAR, CAMSHAFT	1	1	1	1				
6	1	103338-14200	TAPPET	6	6	6	6				
7	1	124450-14400	ROD, PUSH	6	6	6	6				
8	1	24101-062064	BEARING, BALL 6206	1	1	1	1				
8-1	1	172400-02410	BEARING, BALL 6206	1	1	1	1				N
		(A=EXXX) (B=EXXX) (C=EXXX) (D=EXXX)									
9	1	121250-02450	RETAINER, BEARING	1	1	1	1				
10	1	26587-080122	SCREW, M8X12	1	1	1	1				

Fig.44. PISTON & CRANKSHAFT

Fig. **44** PISTON & CRANKSHAFT

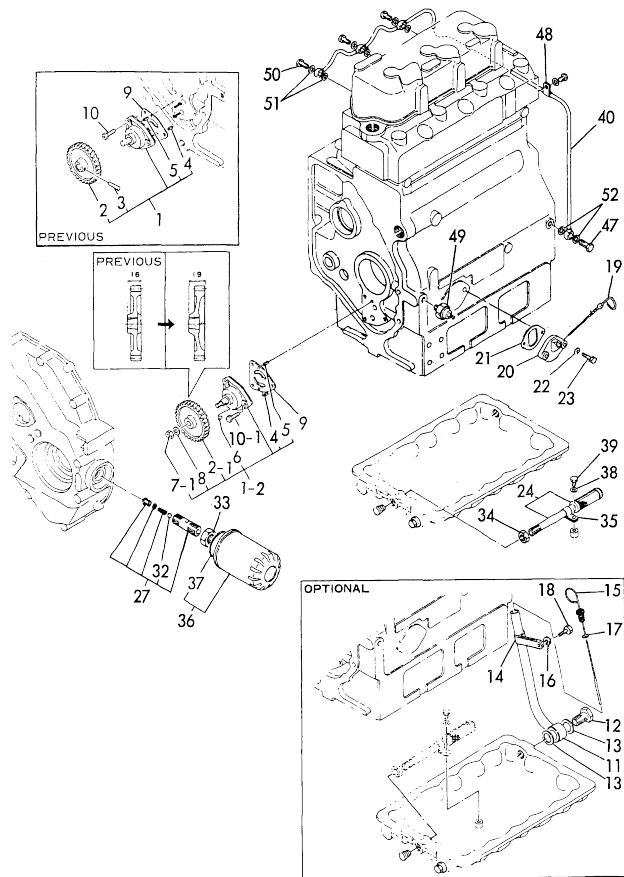


No.	Lev.	Parts No.	Description	Q'ty						I	R
				(A)	(B)	(C)	(D)	(E)	(F)		
1	1	721250-21700	CRANKSHAFT ASSY	1	1	1	1				
1-1	1	721250-21701	CRANKSHAFT ASSY	1	1	1	1				N
		(A=E/#85862) (B=E/#85862) (C=E/#85862) (D=E/#85862)									
3	2	22512-070240	KEY, 7X 24	1	1	1	1				
4	2	22512-070280	KEY, 7X 28	1	1	1	1				
5	1	121250-21200	GEAR, CRANKSHAFT	1	1	1	1				
6	1	121250-21650	V-PULLEY	1	1	1	1				
7	1	121400-21591	FLYWHEEL ASSY	1	1	1	1				
7-1	1	121400-21590	FLYWHEEL ASSY	1	1	1	1				N
		(A=E/XXX) (B=E/XXX) (C=E/XXX) (D=E/XXX)									
9	2	124550-21600	GEAR, RING	1	1	1	1				
10	1	124160-21700	DISC, OIL SHIELD	1	1	1	1				
11	1	124227-21920	PIN, PARALLEL	1	1	1	1				
12	1	124220-21130	BOLT	6	6	6	6				
13	1	26156-120302	BOLT, M12X 30 PLATED	1	1	1	1				
14	1	22217-120000	WASHER, SPRING 12	1	1	1	1				
15	1	124060-21660	WASHER	1	1	1	1				
16	1	24107-060054	BEARING, BALL 6005ZZ	1	1	1	1				
17	1	724768-22720	PISTON ASSY	3	3	3	3				
17-1	1	724768-22721	PISTON ASSY, D90	3	3	3	3				N
		(A=E/XXX) (B=E/XXX) (C=E/XXX) (D=E/XXX)									
17-2	1	121400-22090	PISTON ASSY	3	3	3	3				N
		(A=E/#G00608) (B=E/#G00608) (C=E/#G00608) (D=E/#G00608)									
19	2	724763-22500	RING SET, PISTON	3	3	3	3				
23	1	104600-22300	PIN, PISTON	3	3	3	3				
24	1	104600-22400	CIRCLIP	6	6	6	6				
25	1	724450-23100	ROD ASSY, CONNECTING	3	3	3	3				
27	2	124450-23100	BEARING, PISTON PIN	3	3	3	3				
28	2	124450-23200	BOLT, CONNECTING ROD	6	6	6	6				
29	2	124450-23300	BEARING, CRANK PIN	6	6	6	6				
29-1	2	124450-23301	BEARING, CRANK PIN	6	6	6	6				N
		(A=E/#87652) (B=E/#87652) (C=E/#87652) (D=E/#87652)									

N:Old $\frac{New}{Old}$ New, Q:Old $\frac{New}{Old}$ New, R:Old $\frac{New}{Old}$ New, S:Old $\frac{New}{Old}$ New, W:Add, Z:Discontinued, F:Interchangeable by set, K:Qty Change
 Copyright (C) YANMAR CO., LTD. All Rights Reserved.

Fig.45. LUBRICATING OIL SYSTEM

Fig. **45** LUB. OIL SYSTEM

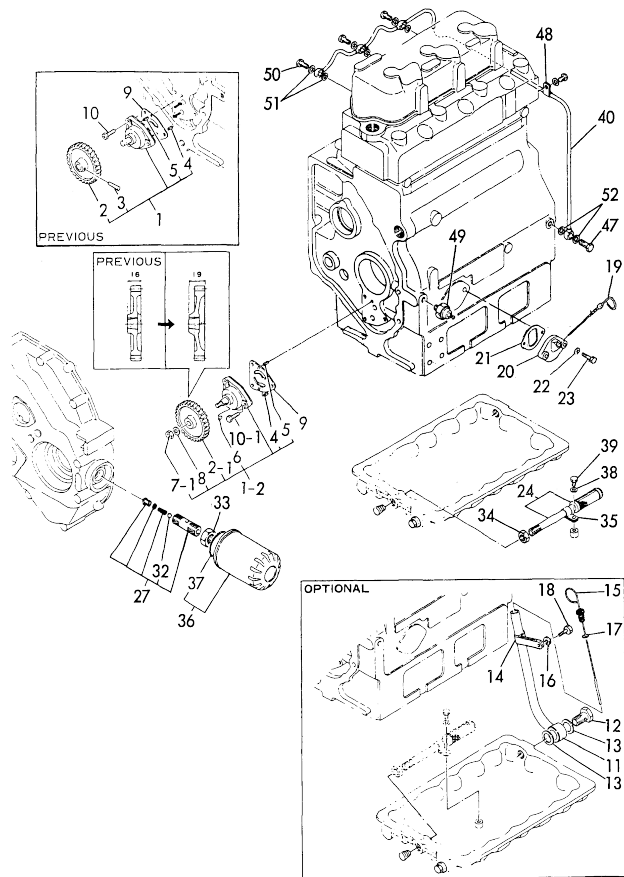


No.	Lev.	Parts No.	Description	Q'ty						I	R
				(A)	(B)	(C)	(D)	(E)	(F)		
1	1	121250-32000	PUMP ASSY, OIL	1	1	1	1				
1-1	1	721390-32100	PUMP ASSY, OIL	1	1	1	1				N
		(A=E/#G00322) (B=E/#G00322) (C=E/#G00322) (D=E/#G00322)									
1-2	1	721252-32100	PUMP ASSY, OIL	1	1	1	1				N
		(A=E/XXX) (B=E/XXX) (C=E/XXX) (D=E/XXX)									
1-3	1	121423-32000	PUMP ASSY, OIL	1	1	1	1				N
		(A=E/XXX) (B=E/XXX) (C=E/XXX) (D=E/XXX)									
2	2	121250-32201	GEAR, OIL PUMP	1	1	1	1				
2-1	2	121390-32200	GEAR, OIL PUMP	1	1	1	1				S
		(A=E/#G00322) (B=E/#G00322) (C=E/#G00322) (D=E/#G00322)									
2-2	2	121252-32200	GEAR, OIL PUMP	1	1	1	1				S
		(A=E/XXX) (B=E/XXX) (C=E/XXX) (D=E/XXX)									
3	2	22322-030220	PIN, TAPER 3X22	1	1	1	1				Z
		(A=E/#G00322) (B=E/#G00322) (C=E/#G00322) (D=E/#G00322)									
4	2	22351-040008	PIN, SPRING 4.0X 8	1	1	1	1				
5	2	22351-040012	PIN, SPRING 4.0X12	1	1	1	1				
6	2	22522-030100	KEY, WOODRUFF 3X10	1	1	1	1				W
		(A=E/#G00322) (B=E/#G00322) (C=E/#G00322) (D=E/#G00322)									
7	2	26716-080002	NUT, M8	1	1	1	1				W
		(A=E/#G00322) (B=E/#G00322) (C=E/#G00322) (D=E/#G00322)									
7-1	2	26756-080002	NUT, LOCK M8	1	1	1	1				S
		(A=E/XXX) (B=E/XXX) (C=E/XXX) (D=E/XXX)									
8	2	22217-080000	WASHER, SPRING 8	1	1	1	1				W
		(A=E/#G00322) (B=E/#G00322) (C=E/#G00322) (D=E/#G00322)									
9	1	124450-32020	GASKET	1	1	1	1				
10	1	26116-060222	BOLT, M6X 22 PLATED	3	3	3	3				
10-1	1	26013-060222	BOLT, M6X 22	3	3	3	3				N
		(A=E/#85862) (B=E/#85862) (C=E/#85862) (D=E/#85862)									
11	1	121400-34710	GUIDE, DIPSTICK	1	1	1	1				
12	1	121400-34720	BOLT, M16	1	1	1	1				
13	1	124770-34730	GASKET	2	2	2	2				
14	1	121400-34750	RETAINER	1	1	1	1				
15	1	121400-34801	DIPSTICK, OIL	1	1	1	1				
16	1	22217-080000	WASHER, SPRING 8	1	1	1	1				
17	1	24311-000100	O-RING, 1AP10.0	1	1	1	1				
18	1	26117-080149	BOLT M 8X 14 PLATED	1	1	1	1				
19	1	121236-34800	DIPSTICK, OIL	1	1	1	1				
20	1	124160-34831	BRACKET	1	1	1	1				
21	1	124160-34844	GASKET	1	1	1	1				
21-1	1	124160-34845	GASKET	1	1	1	1				N
		(A=E/#90311) (B=E/#90311) (C=E/#90311) (D=E/#90311)									
22	1	22137-080000	WASHER, 8	2	2	2	2				Z
		(A=E/XXX) (B=E/XXX) (C=E/XXX) (D=E/XXX)									
23	1	26116-080252	BOLT, M8X 25 PLATED	2	2	2	2				
23-1	1	26106-080222	BOLT, M8X 22 PLATED	2	2	2	2				N
		(A=E/#85862) (B=E/#85862) (C=E/#85862) (D=E/#85862)									
24	1	121370-35061	PIPE, OIL INLET	1	1	1	1				
27	1	121250-35300	VALVE ASSY, CONTROL	1	1	1	1				
27-1	1	124085-35300	VALVE ASSY, CONTROL	1	1	1	1				N
		(A=E/#85862) (B=E/#85862) (C=E/#85862) (D=E/#85862)									
32	2	24190-100001	BALL, STEEL 5/16	1	1	1	1				

N:Old $\frac{New}{Old}$ New. Q:Old $\frac{New}{Old}$ New. R:Old $\frac{New}{Old}$ New. S:Old $\frac{New}{Old}$ New. W:Add. Z:Discontinued. F:Interchangeable by set. K:Q'ty Change
 ++ CONTINUE ++
 Copyright (C) YANMAR CO., LTD. All Rights Reserved.

Fig.45. LUBRICATING OIL SYSTEM

Fig. **45** LUB. OIL SYSTEM

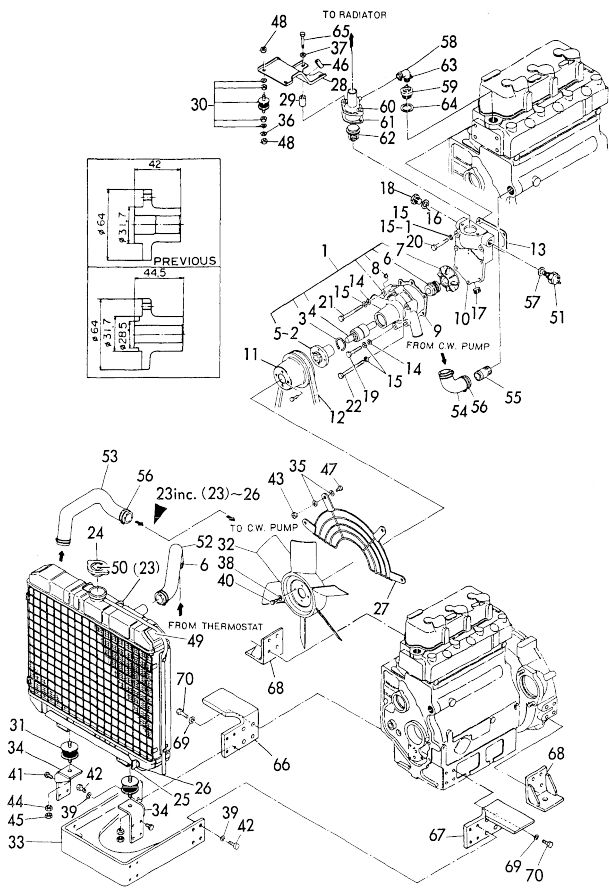


No.	Lev.	Parts No.	Description	Q'ty						I	R
				(A)	(B)	(C)	(D)	(E)	(F)		
33	1	124450-35350	NUT, LOCK	1	1	1	1				
33-1	1	124085-35350	NUT, M20	1	1	1	1				R
		(A=E/XXX) (B=E/XXX) (C=E/XXX) (D=E/XXX)									
34	1	124450-35070	NUT, PF 1/4	1	1	1	1				
35	1	121370-35080	RETAINER, PIPE	1	1	1	1				
36	1	124550-35110	ELEMENT	1	1	1	1				
36-1	1	124085-35111	FILTER, OIL	1	1	1	1				N
		(A=E/#90311) (B=E/#90311) (C=E/#90311) (D=E/#90311)									
37	2	124450-35110	O-RING	1	1	1	1				
38	1	22217-060000	WASHER, SPRING 6	1	1	1	1				Z
		(A=E/XXX) (B=E/XXX) (C=E/XXX) (D=E/XXX)									
39	1	26116-060142	BOLT, M6X 14 PLATED	1	1	1	1				
39-1	1	26106-060142	BOLT, M6X 14 PLATED	1	1	1	1				N
		(A=E/#85862) (B=E/#85862) (C=E/#85862) (D=E/#85862)									
40	1	121250-39200	PIPE, OIL	1	1	1	1				
40-1	1	121252-39200	PIPE ASSY, OIL	1	1	1	1				N
		(A=E/XXX) (B=E/XXX) (C=E/XXX) (D=E/XXX)									
47	1	124160-39140	BOLT, PIPE JOINT M10	1	1	1	1				
48	1	121400-39240	RETAINER	1	1	1	1				
49	1	121250-29450	SENSOR	1	1	1	1				
49-1	1	121252-39450	SWITCH, 0.5KG	1	1	1	1				N
		(A=E/#85862) (B=E/#85862) (C=E/#85862) (D=E/#85862)									
50	1	124550-59820	BOLT, PIPE JOINT M8	3	3	3	3				
51	1	23414-080000	GASKET, 8X1.0	6	6	6	6				
52	1	23414-100000	GASKET, 10X1.0	2	2	2	2				

N:Old $\frac{100}{100}$ New, Q:Old $\frac{100}{100}$ New, R:Old $\frac{100}{100}$ New, S:Old $\frac{100}{100}$ New, W:Add, Z:Discontinued, F:Interchangeable by set, K:Q'ty Change
 Copyright (C) YANMAR CO., LTD. All Rights Reserved.

Fig.46. COOLING WATER SYSTEM

Fig. **46** COOLING WATER SYSTEM

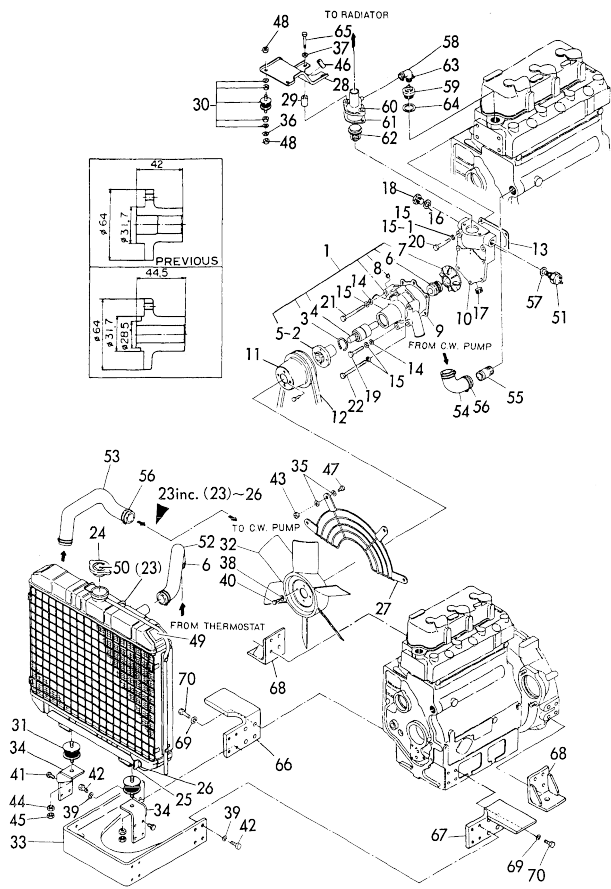


No.	Lev.	Parts No.	Description	Q'ty						I	R
				(A)	(B)	(C)	(D)	(E)	(F)		
1	1	121400-42100	PUMP ASSY, WATER	1	1	1	1				
1-1	1	121400-42101	PUMP ASSY, WATER	1	1	1	1				N
		(A=E/#85862) (B=E/#85862) (C=E/#85862) (D=E/#85862)									
1-2	1	121400-42102	PUMP ASSY, WATER	1	1	1	1				R
		(A=E/XXX) (B=E/XXX) (C=E/XXX) (D=E/XXX)									
3	2	121256-42170	CIRCLIP	1	1	1	1				
4	2	121256-42240	SHAFT	1	1	1	1				
5	2	121400-42261	FLANGE, V-PULLEY	1	1	1	1				
5-1	2	121400-42262	FLANGE, V-PULLEY	1	1	1	1				S
		(A=E/#G00730) (B=E/#G00730) (C=E/#G00730) (D=E/#G00730)									
5-2	2	121400-42263	FLANGE, V-PULLEY	1	1	1	1				N
		(A=E/XXX) (B=E/XXX) (C=E/XXX) (D=E/XXX)									
6	2	123482-43350	SEAL, MECHANICAL	1	1	1	1				
7	2	121256-42200	IMPELLER	1	1	1	1				
8	2	23873-020000	PLUG, R02	1	1	1	1				W
		(A=E/#85862) (B=E/#85862) (C=E/#85862) (D=E/#85862)									
8-1	2	23871-020000	PLUG, R02	1	1	1	1				N
		(A=E/XXX) (B=E/XXX) (C=E/XXX) (D=E/XXX)									
9	1	121256-42050	GASKET	1	1	1	1				
10	1	121400-42121	BRACKET, PUMP	1	1	1	1				
11	1	121400-42251	V-PULLEY	1	1	1	1				
11-1	1	121400-42252	V-PULLEY	1	1	1	1				S
		(A=E/#G00730) (B=E/#G00730) (C=E/#G00730) (D=E/#G00730)									
12	1	124732-42290	V-BELT, AX37	1	1	1	1				
13	1	124450-44410	GASKET	1	1	1	1				
14	1	22137-080000	WASHER, 8	6	6	6	6				Z
		(A=E/XXX) (B=E/XXX) (C=E/XXX) (D=E/XXX)									
15	1	22217-080000	WASHER, SPRING 8	8	8	8	8				
15-1	1	22217-080000	WASHER, SPRING 8	2	2	2	2				K
		(A=E/XXX) (B=E/XXX) (C=E/XXX) (D=E/XXX)									
16	1	23414-160000	GASKET, 16X1.0	1	1	1	1				
16-1	1	124465-44950	GASKET, 16	1	1	1	1				N
		(A=E/XXX) (B=E/XXX) (C=E/XXX) (D=E/XXX)									
17-1	1	23873-040000	PLUG, R04	1	1	1	1				
17-1	1	23871-040000	PLUG, R04	1	1	1	1				N
		(A=E/XXX) (B=E/XXX) (C=E/XXX) (D=E/XXX)									
18	1	23883-160002	PLUG, 16	1	1	1	1				
18-1	1	121450-42450	PLUG, M16	1	1	1	1				N
		(A=E/#90311) (B=E/#90311) (C=E/#90311) (D=E/#90311)									
19	1	26116-080452	BOLT, M8X 45 PLATED	4	4	4	4				
19-1	1	26106-080402	BOLT, M8X 40 PLATED	4	4	4	4				N
		(A=E/#85862) (B=E/#85862) (C=E/#85862) (D=E/#85862)									
20	1	26116-080502	BOLT, M8X 50 PLATED	2	2	2	2				
20-1	1	26106-080502	BOLT, M8X 50 PLATED	2	2	2	2				N
		(A=E/#85862) (B=E/#85862) (C=E/#85862) (D=E/#85862)									
21	1	26116-080852	BOLT, M8X 85 PLATED	1	1	1	1				
21-1	1	26106-080822	BOLT M 8X 82 PLATED	1	1	1	1				N
		(A=E/#85862) (B=E/#85862) (C=E/#85862) (D=E/#85862)									
22	1	26116-080902	BOLT, M8X 90 PLATED	1	1	1	1				
22-1	1	26106-080872	BOLT M 8X 87 PLATED	1	1	1	1				N
		(A=E/#85862) (B=E/#85862) (C=E/#85862) (D=E/#85862)									

N:Old $\frac{New}{Old}$ New, Q:Old $\frac{New}{Old}$ New, R:Old $\frac{New}{Old}$ New, S:Old $\frac{New}{Old}$ New, W:Add, Z:Discontinued, F:Interchangeable by set, K:Q'ty Change
 ++ CONTINUE ++
 Copyright (C) YANMAR CO., LTD. All Rights Reserved.

Fig.46. COOLING WATER SYSTEM

Fig. **46** COOLING WATER SYSTEM

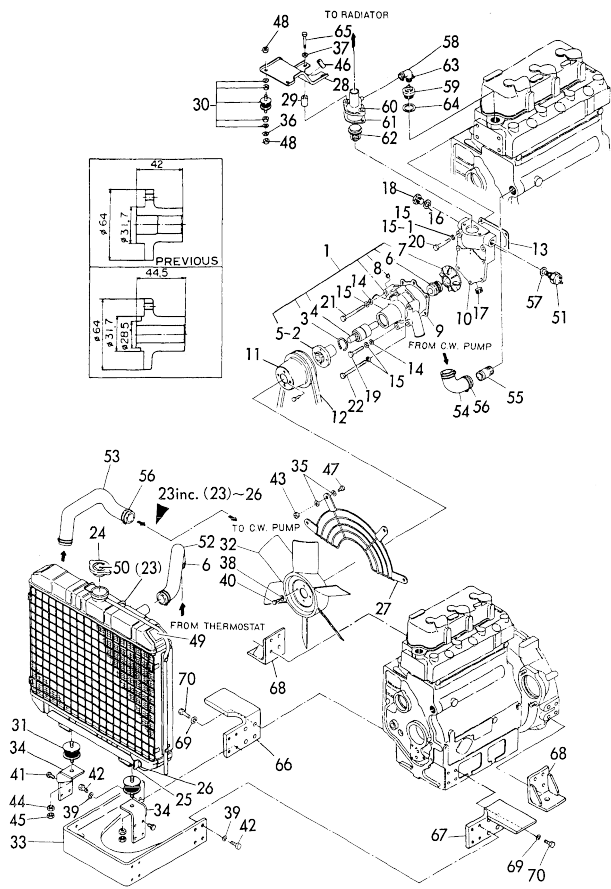


No.	Lev.	Parts No.	Description	Q'ty						I	R
				(A)	(B)	(C)	(D)	(E)	(F)		
23A	1	121400-44501	RADIATOR		1						
23B	1	171011-44501	RADIATOR			1	1				
24	2	124450-44590	CAP, RADIATOR		1	1	1	1			
24-1	2	123682-44210	CAP, RADIATOR	(A=E/XXX)	(B=E/XXX)	(C=E/XXX)	(D=E/XXX)				N
25	2	124550-44690	COCK, WATER		1	1	1	1			
25-1	2	124060-44510	COCK, DRAIN	(A=E/XXX)	(B=E/XXX)	(C=E/XXX)	(D=E/XXX)				N
26	2	124060-44520	GASKET		1	1	1	1			W
27	1	121400-44510	NET, WIRE	(A=E/XXX)	(B=E/XXX)	(C=E/XXX)	(D=E/XXX)				
28	1	121400-44621	SUPPORT, RADIATOR		1	1					
29	1	121400-44630	SPACER			2	2				
30	1	121400-44640	ABSORBER			2	2				
31	1	121400-44650	ABSORBER			2	2				
32	1	121400-44740	FAN, COOLING		1	1	1	1			
33	1	121400-44952	BRACKET, RADIATOR		1	1					
34	1	121400-44961	FOOT		2	2					
34-1	1	121400-44962	BRACKET, RADIATOR	(A=E/XXX)	(B=E/XXX)						R
35	1	22137-080000	WASHER, 8	(A=E/XXX)	(B=E/XXX)						Z
36	1	22137-100000	WASHER, 10	(A=E/XXX)	(B=E/XXX)						Z
37	1	22157-080000	WASHER, 8	(A=E/XXX)	(B=E/XXX)						Z
38	1	22217-060000	WASHER, SPRING 6	(A=E/XXX)	(B=E/XXX)						Z
39	1	22217-080000	WASHER, SPRING 8		8	8					
39-1	1	22217-080000	WASHER, SPRING 8	(A=E/#88841)	(B=E/#88841)						K
40	1	26116-060182	BOLT, M6X 18 PLATED		4	4	4	4			
40-1	1	26014-060182	BOLT, M6X 18	(A=E/#87358)	(B=E/#87358)	(C=E/#87358)	(D=E/#87358)				N
41	1	26116-080162	BOLT, M8X 16 PLATED		12	12					
41-1	1	26106-080162	BOLT, M8X 16 PLATED	(A=E/#85862)	(B=E/#85862)						N
42	1	26116-080252	BOLT, M8X 25 PLATED		8	8					
42-1	1	26013-080252	BOLT, M8X 25	(A=E/#85862)	(B=E/#85862)						N
43	1	26716-080002	NUT, M8		4	4					
43-1	1	26366-080002	NUT, M8	(A=E/#85862)	(B=E/#85862)						N
44	1	26716-100002	NUT, M10		2	2	2	2			
44-1	1	26706-100002	NUT, M10	(A=E/#85862)	(B=E/#85862)	(C=E/#85862)	(D=E/#85862)				N
45	1	26756-100002	NUT, LOCK M10		2	2	2	2			
45-1	1	26796-100002	NUT, LOCK M10	(A=E/#85862)	(B=E/#85862)	(C=E/#85862)	(D=E/#85862)				N
46	1	121400-44610	PAD	(A=E/XXX)	(B=E/XXX)						W
46-1	1	121400-44660	PAD	(A=E/XXX)	(B=E/XXX)						N

N:Old $\frac{New}{Old}$ New, Q:Old $\frac{New}{Old}$ New, R:Old $\frac{New}{Old}$ New, S:Old $\frac{New}{Old}$ New, W:Add, Z:Discontinued, F:Interchangeable by set, K:Q'ty Change
 ++ CONTINUE ++
 Copyright (C) YANMAR CO., LTD. All Rights Reserved.

Fig.46. COOLING WATER SYSTEM

Fig. **46** COOLING WATER SYSTEM

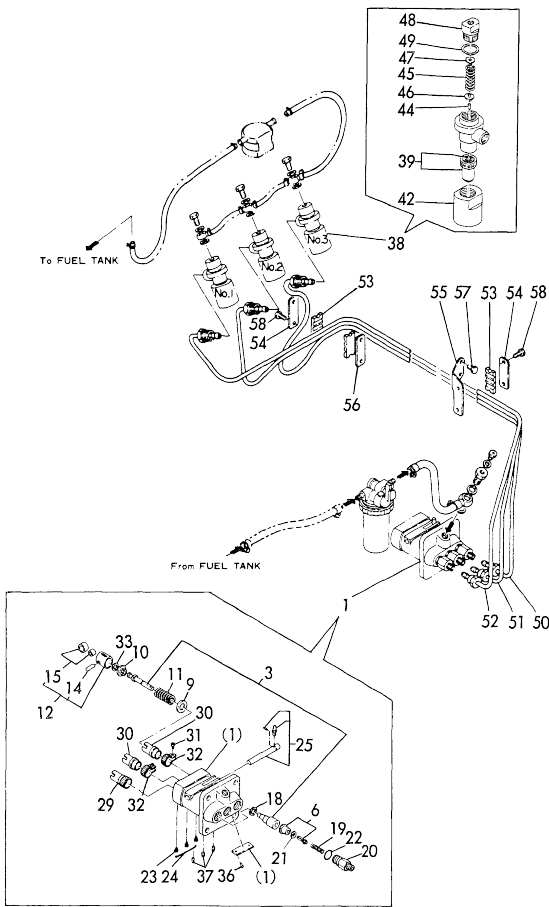


No.	Lev.	Parts No.	Description	Q'ty						I	R
				(A)	(B)	(C)	(D)	(E)	(F)		
		(A=E/#85862) (B=E/#85862)									
47	1	26106-080142	BOLT, M8X 14 PLATED	4	4						W
		(A=E/#85862) (B=E/#85862)									
48	1	26366-080002	NUT, M8	4	4						W
		(A=E/#85862) (B=E/#85862)									
49	1	121400-44900	LABEL	1	1	1	1				W
		(A=E/XXX) (B=E/XXX) (C=E/XXX) (D=E/XXX)									
50	1	121400-44910	LABEL	1	1	1	1				W
		(A=E/XXX) (B=E/XXX) (C=E/XXX) (D=E/XXX)									
51	1	121250-44900	SWITCH	1	1	1	1				
51-1	1	121250-44901	SWITCH, 110	1	1	1	1				N
		(A=E/XXX) (B=E/XXX) (C=E/XXX) (D=E/XXX)									
52	1	121400-49011	PIPE, WATER	1	1	1	1				
53	1	121400-49021	PIPE, WATER	1	1	1	1				
54	1	121400-49030	HOSE, RUBBER	1	1	1	1				
55	1	124160-49480	JOINT, PIPE	1	1	1	1				
56	1	23010-038000	CLAMP, 38	6	6	6	6				
57	1	23414-160000	GASKET, 16X1.0	1	1	1	1				
		(A=E/XXX) (B=E/XXX) (C=E/XXX) (D=E/XXX)									
57-1	1	124465-44950	GASKET, 16	1	1	1	1				N
		(A=E/XXX) (B=E/XXX) (C=E/XXX) (D=E/XXX)									
58	1	121400-49250	PIPE, WATER	1	1	1	1				
59	1	124732-49260	JOINT	1	1	1	1				
59-1	1	121120-49261	CONNECTOR	1	1	1	1				N
		(A=E/#88841) (B=E/#88841) (C=E/#88841) (D=E/#88841)									
60	1	124732-49530	COVER, THERMOSTAT	1	1	1	1				
60-1	1	124732-49531	COVER, THERMOSTAT	1	1	1	1				N
		(A=E/XXX) (B=E/XXX) (C=E/XXX) (D=E/XXX)									
61	1	124736-49540	GASKET	1	1	1	1				
61-1	1	129350-49540	GASKET	1	1	1	1				N
		(A=E/XXX) (B=E/XXX) (C=E/XXX) (D=E/XXX)									
61-2	1	129350-49541	GASKET	1	1	1	1				N
		(A=E/#90311) (B=E/#90311) (C=E/#90311) (D=E/#90311)									
62	1	124790-49800	THERMOSTAT	1	1	1	1				
63	1	23000-019000	CLAMP, 19	2	2	2	2				
64	1	23414-270035	GASKET, 27X1.0	1	1	1	1				
64-1	1	23414-250031	GASKET, 25X1.0	1	1	1	1				N
		(A=E/XXX) (B=E/XXX) (C=E/XXX) (D=E/XXX)									
65	1	26226-080482	BOLT M 8X 48	2	2	2	2				
65-1	1	26106-080452	BOLT, M8X 45 PLATED	2	2	2	2				N
		(A=E/#85862) (B=E/#85862) (C=E/#85862) (D=E/#85862)									
66A	1	121400-08101	FOOT	1	1						
66B	1	171010-08100	FOOT			1	1				
67A	1	121400-08111	FOOT	1	1						
67B	1	171010-08110	FOOT					1	1		
68	1	121400-08120	FOOT	2	2	2	2				
69	1	22217-120000	WASHER, SPRING 12	8	8	8	8				
70	1	26116-120302	BOLT, M12X 30 PLATED	8	8	8	8				

N:Old $\frac{New}{Old}$ New. Q:Old $\frac{New}{Old}$ New. R:Old $\frac{New}{Old}$ New. S:Old $\frac{New}{Old}$ New. W:Add. Z:Discontinued. F:Interchangeable by set. K:Q'ty Change
Copyright (C) YANMAR CO., LTD. All Rights Reserved.

Fig.47. FUEL INJECTION DEVICE

Fig.47 FUEL INJECTION DEVICE

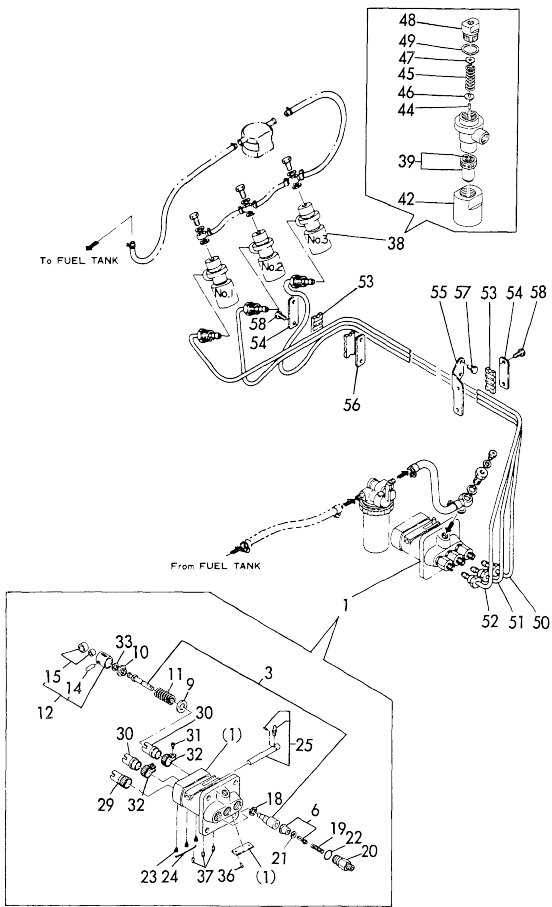


No.	Lev.	Parts No.	Description	Q'ty						I	R
				(A)	(B)	(C)	(D)	(E)	(F)		
1A	1	721400-51700	PUMP ASSY, INJECTION	1							
1B	1	721481-51700	PUMP ASSY, INJECTION		1						
3	2	124560-51100	PLUNGER ASSY	3	3	3	3				
6	2	124550-51301	VALVE ASSY, DELIVERY	3	3	3	3				
9	2	174307-51170	RETAINER, SPRING A	3	3	3	3				
10	2	174307-51180	RETAINER, SPRING	3	3	3	3				
10-1	2	174307-51181	RETAINER, SPRING B	3	3	3	3			N	
		(A=E-XXXX)	(B=E-XXXX)	(C=E-XXXX)	(D=E-XXXX)						
11	2	174307-51190	SPRING, PLUNGER	3	3	3	3				
12	2	724550-51520	GUIDE, PLUNGER	3	3	3	3				
14	3	174100-54120	PIN	3	3	3	3				
15	3	711100-51540	ROLLER ASSY	3	3	3	3				
18	2	174307-51270	GASKET	3	3	3	3				
19	2	124550-51320	SPRING, DELIVERY	3	3	3	3				
20	2	124550-51341	HOLDER, DELIVERY L43	3	3	3	3				
21	2	124550-51350	GASKET, DELIVERY	3	3	3	3				
22	2	124550-51370	O-RING	3	3	3	3				
23	2	174307-51450	PIECE	3	3	3	3				
24	2	121150-51460	PIN, GUIDE	1	1	1	1				
25	2	721150-51530	RACK ASSY, CONTROL	1	1	1	1				
25-1	2	724060-51530	RACK ASSY, CONTROL	1	1	1	1			N	
		(A=E-XXXX)	(B=E-XXXX)	(C=E-XXXX)	(D=E-XXXX)						
29	2	174307-51510	SLEEVE	1	1	1	1				
30	2	174307-51550	SLEEVE, PINION	2	2	2	2				
31	2	122117-51560	SCREW	2	2	2	2				
32	2	174307-51560	PINION	2	2	2	2				
33	2	174307-51700	SHIM SET	3	3	3	3				
36	2	22624-230030	RIVET 2.3X 3	2	2	2	2				
36-1	2	124220-51890	RIVET	2	2	2	2			N	
		(A=E-XXXX)	(B=E-XXXX)	(C=E-XXXX)	(D=E-XXXX)						
37	2	103854-51251	PIN, PLUNGER	3	3	3	3				
37-1	2	124950-51910	PIN, PLUNGER	3	3	3	3			N	
		(A=E-XXXX)	(B=E-XXXX)	(C=E-XXXX)	(D=E-XXXX)						
38	1	724770-53100	VALVE ASSY, INJECTION	3	3	3	3				
39	2	124770-53000	VALVE ASSY, INJECTION	3	3	3	3				
42	2	104900-53080	NUT, NOZZLE	3	3	3	3				
44	2	113200-53110	SPINDLE, INTER	3	3	3	3				
45	2	103854-53120	SPRING, NOZZLE	3	3	3	3				
46	2	113200-53120	RETAINER, SPRING	3	3	3	3				
47	2	110250-53150	PLATE ASSY, ADJUST	3	3	3	3				
48	2	103854-53180	RETAINER, SPRING	3	3	3	3				
49	2	172100-53200	GASKET	3	3	3	3				
50	1	121250-59830	PIPE ASSY, INJECTION	1	1	1	1				
51	1	121250-59820	PIPE ASSY, INJECTION	1	1	1	1				
52	1	121250-59810	PIPE ASSY, INJECTION	1	1	1	1				
53	1	123325-59100	RETAINER, PIPE	2	2	2	2				
54	1	123325-59110	COVER	2	2	2	2				
55	1	121250-59850	RETAINER	1	1	1	1				
56	1	121250-59860	BRACKET	1	1	1	1				
57	1	26116-060102	BOLT, M6X 10 PLATED	2	2	2	2				
57-1	1	26106-060102	BOLT, M6X 10 PLATED	2	2	2	2			N	

N:Old $\frac{100}{100}$ New, Q:Old $\frac{100}{100}$ New, R:Old $\frac{100}{100}$ New, S:Old $\frac{100}{100}$ New, W:Add, Z:Discontinued, F:Interchangeable by set, K:Q'ty Change
 ++ CONTINUE ++
 Copyright (C) YANMAR CO., LTD. All Rights Reserved.

Fig.47. FUEL INJECTION DEVICE

Fig.47 FUEL INJECTION DEVICE

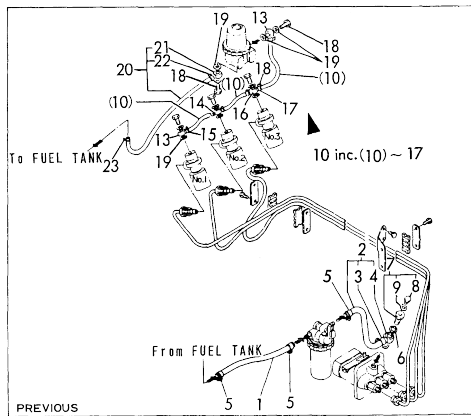
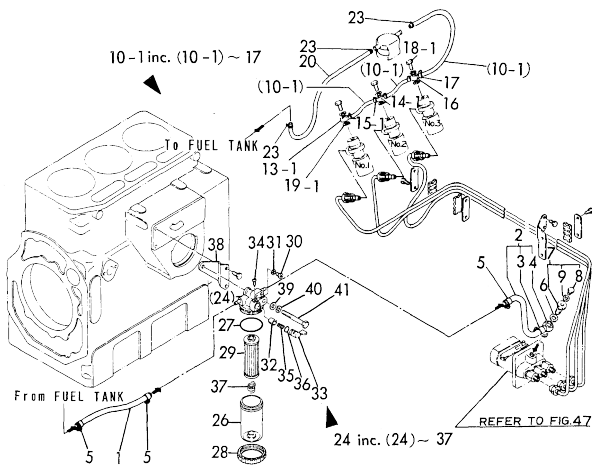


No.	Lev.	Parts No.	Description	Q'ty						I	R	
				(A)	(B)	(C)	(D)	(E)	(F)			
				(A)=3T90LE	(B)=3T90LE-G1	(C)=3T90LE-TA	(D)=3T90LE-TB	(E)=	(F)=			
				(A=E/85862)	(B=E/85862)	(C=E/85862)	(D=E/85862)					
58	1	26116-060162	BOLT, M6X 16 PLATED					4	4	4	4	
58-1	1	121465-59950	BOLT, M6X16					4	4	4	4	N

N:Old $\frac{100}{100}$ New, Q:Old $\frac{100}{100}$ New, R:Old $\frac{100}{100}$ New, S:Old $\frac{100}{100}$ New, W:Add, Z:Discontinued, F:Interchangeable by set, K:Q'ty Change
 Copyright (C) YANMAR CO., LTD. All Rights Reserved.

Fig.48. FUEL OIL LINE

Fig.48 FUEL LINE

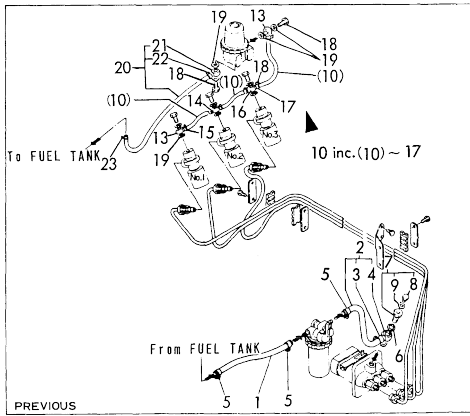
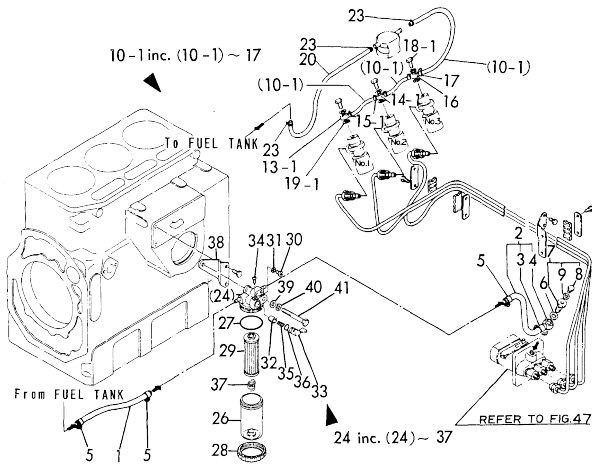


No.	Lev.	Parts No.	Description	Q'ty						I	R
				(A)	(B)	(C)	(D)	(E)	(F)		
1A	1	124732-59090	PIPE, FUEL L=800		1						
1B	1	121236-59090	PIPE, FUEL D12X800				1	1			
2	1	121250-59010	PIPE ASSY, FUEL		1	1	1	1			
2-1	1	121250-59011	PIPE ASSY, FUEL		1	1	1	1			N
		(A=#85862) (B=#85862) (C=#85862) (D=#85862)									
3	2	124460-59050	BAND		1	1	1	1			
3-1	2	124766-59050	CLIP, HOSE 12		1	1	1	1			N
		(A=E) (B=E) (C=E) (D=E)									
4	2	124250-59260	JOINT, PIPE 12		1	1	1	1			
4-1	2	101304-59020	JOINT, PIPE 12		1	1	1	1			N
		(A=#90311) (B=#90311) (C=#90311) (D=#90311)									
5	1	124460-59060	BAND		3	3	3	3			
5-1	1	124766-59050	CLIP, HOSE 12		3	3	3	3			N
		(A=E) (B=E) (C=E) (D=E)									
6	1	104200-59170	GASKET, 12		2	2	2	2			
7	1	103854-59191	BOLT ASSY, JOINT M12		1	1	1	1			W
		(A=#85862) (B=#85862) (C=#85862) (D=#85862)									
7A	2	124060-59391	BOLT, PIPE JOINT M12		1	1	1	1			
9	2	43400-500390	SEAL WASHER 6		1	1	1	1			
10	1	121236-59050	PIPE ASSY, RETURN		1	1	1	1			
10-1	1	121137-59500	PIPE ASSY, RETURN		1	1	1	1			S
		(A=#00839) (B=#00839) (C=#00839) (D=#00839)									
13	2	124550-59030	JOINT, PIPE 8		2	2	2	2			
13-1	2	124550-59030	JOINT, PIPE 8		1	1	1	1			K
		(A=#00839) (B=#00839) (C=#00839) (D=#00839)									
14	2	124550-59090	JOINT, PIPE 8		2	2	2	2			
14-1	2	124550-59090	JOINT, PIPE 8		1	1	1	1			K
		(A=#00839) (B=#00839) (C=#00839) (D=#00839)									
15	2	124066-59100	CLIP, HOSE 8		6	6	6	6			
15-1	2	124066-59100	CLIP, HOSE 8		4	4	4	4			K
		(A=#00839) (B=#00839) (C=#00839) (D=#00839)									
16	2	121750-59090	JOINT, PIPE 8		1	1	1	1			W
		(A=#00839) (B=#00839) (C=#00839) (D=#00839)									
17	2	124060-77680	CLIP, HOSE 10		1	1	1	1			W
		(A=#00839) (B=#00839) (C=#00839) (D=#00839)									
18	1	101147-59810	BOLT, PIPE JOINT M8		5	5	5	5			
18-1	1	101147-59810	BOLT, PIPE JOINT M8		3	3	3	3			K
		(A=#00839) (B=#00839) (C=#00839) (D=#00839)									
19	1	23414-080000	GASKET, 8X1.0		10	10	10	10			
19-1	1	23414-080012	GASKET, 8X1.0		6	6	6	6			N
		(A=#00839) (B=#00839) (C=#00839) (D=#00839)									
20	1	124701-59510	PIPE ASSY, RETURN		1	1					
20-1	1	124936-59570	PIPE, FUEL D11X1150		1	1					S
		(A=#00839) (B=#00839)									
20A	1	121750-59570	PIPE, FUEL RETURN				1	1			
21	2	124550-59030	JOINT, PIPE 8		1	1					Z
		(A=#00839) (B=#00839)									
22	2	124066-59100	CLIP, HOSE 8		1	1					Z
		(A=#00839) (B=#00839)									
23	1	124722-59050	CLIP, HOSE 9		1	1					
23-1	1	124060-77680	CLIP, HOSE 10		3	3					S

N:Old $\frac{New}{Old}$ New, Q:Old $\frac{New}{Old}$ New, R:Old $\frac{New}{Old}$ New, S:Old $\frac{New}{Old}$ New, W:Add, Z:Discontinued, F:Interchangeable by set, K:Q'ty Change
 ++ CONTINUE ++
 Copyright (C) YANMAR CO., LTD. All Rights Reserved.

Fig.48. FUEL OIL LINE

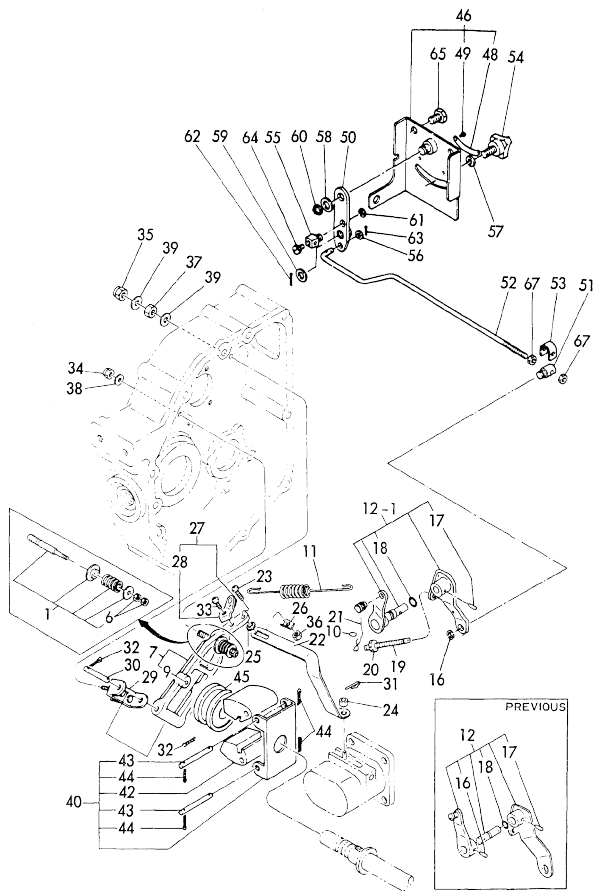
Fig.48 FUEL LINE



No.	Lev.	Parts No.	Description	Q'ty						I	R
				(A)	(B)	(C)	(D)	(E)	(F)		
		(A=E/#00839) (B=E/#00839)									
24	1	121250-55600	STRAINER ASSY, FUEL	1	1	1	1				
24-1	1	121254-55600	STRAINER ASSY, FUEL	1	1	1	1				N
		(A=E/XXX) (B=E/XXX) (C=E/XXX) (D=E/XXX)									
26	2	124550-55510	COVER	1	1	1	1				
26-1	2	121254-55510	COVER	1	1	1	1				N
		(A=E/XXX) (B=E/XXX) (C=E/XXX) (D=E/XXX)									
27	2	102103-55520	O-RING	1	1	1	1				
28	2	110250-55610	RING, RETAINING	1	1	1	1				
29	2	124550-55700	FILTER, FUEL L=90	1	1	1	1				
30	2	101720-55750	PLUG, 6	2	2	2	2				
31	2	23418-060000	GASKET, 6X1.0	2	2	2	2				
32	2	104200-55320	VALVE, TAPER	1	1	1	1				
32-1	2	104200-55321	VALVE, TAPER	1	1	1	1				N
		(A=E/XXX) (B=E/XXX) (C=E/XXX) (D=E/XXX)									
33	2	104200-55340	HANDLE	1	1	1	1				
33-1	2	104200-55341	HANDLE	1	1	1	1				N
		(A=E/XXX) (B=E/XXX) (C=E/XXX) (D=E/XXX)									
34	2	104200-55750	SCREW, M4	1	1	1	1				
35	2	104200-55330	SPRING, VALVE	1	1	1	1				
36	2	24311-240100	O-RING, 1AP10A	1	1	1	1				
37	2	121250-55620	SPRING	1	1	1	1				
38	1	121250-55610	BRACKET, STRAINER	1	1	1	1				
39	1	22117-080000	WASHER, 8	1	1	1	1				Z
		(A=E/XXX) (B=E/XXX) (C=E/XXX) (D=E/XXX)									
40	1	22217-080000	WASHER, SPRING 8	1	1	1	1				
41	1	26116-080652	BOLT, M8X 65 PLATED	1	1	1	1				
41-1	1	26106-080602	BOLT, M8X 60 PLATED	1	1	1	1				N
		(A=E/#85862) (B=E/#85862) (C=E/#85862) (D=E/#85862)									

Fig.49. GOVERNOR

Fig.49 GOVERNOR

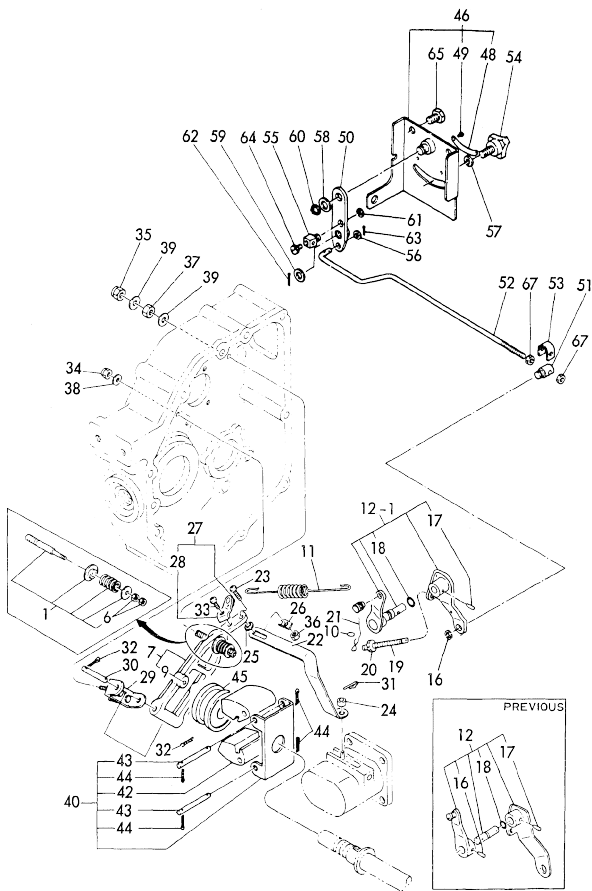


No.	Lev.	Parts No.	Description	Q'ty						I	R
				(A)	(B)	(C)	(D)	(E)	(F)		
1A	1	124768-66800	LIMITER ASSY, FUEL								
1B	1	121481-66800	LIMITER ASSY, FUEL								
6	2	26756-050002	NUT, LOCK M5	2	2	2	2				
7	1	124460-66611	LEVER ASSY, GOVERNOR	1	1	1	1				
9	2	24190-100001	BALL, STEEL 5/16	2	2	2	2				
10	1	135210-61090	LEAD	1	1	1	1				
11	1	121400-66010	SPRING, REGULATOR	1	1	1	1				Z
		(A=E-XXXX) (B=E-XXXX) (C=E-XXXX) (D=E-XXXX)									
11A	1	124701-66620	SPRING, REGULATOR	1	1	1	1				
11B	1	121481-66010	SPRING, REGULATOR	1	1	1	1				Z
		(A=E-XXXX) (B=E-XXXX) (C=E-XXXX) (D=E-XXXX)									
11C	1	121400-66610	SPRING, REGULATOR	1	1	1	1				
12	1	721400-66530	HANDLE ASSY	1	1	1	1				
12-1	1	121400-66000	HANDLE ASSY	1	1	1	1				N
		(A=E-XXXX) (B=E-XXXX) (C=E-XXXX) (D=E-XXXX)									
16	2	22322-030160	PIN, TAPER 3X16	1	1	1	1				
16-1	2	22322-030180	PIN, TAPER 3X18	1	1	1	1				R
		(A=E-XXXX) (B=E-XXXX) (C=E-XXXX) (D=E-XXXX)									
16-2	2	22322-030180	PIN, TAPER 3X18	1	1	1	1				Z
		(A=E-XXXX) (B=E-XXXX) (C=E-XXXX) (D=E-XXXX)									
17	2	22322-030180	PIN, TAPER 3X18	1	1	1	1				
18	2	24311-000070	O-RING, 1AP7.0	1	1	1	1				
19	1	103854-66420	SCREW	1	1	1	1				
19-1	1	124550-66420	SCREW	1	1	1	1				N
		(A=E-XXXX) (B=E-XXXX) (C=E-XXXX) (D=E-XXXX)									
19-2	1	103854-66420	SCREW	1	1	1	1				N
		(A=E/#88841) (B=E/#88841) (C=E/#88841) (D=E/#88841)									
20	1	124550-66370	NUT, M6	1	1	1	1				
21	1	22451-100000	WIRE, 1.0	1	1	1	1				
21-1	1	22451-060000	WIRE, 0.6	1	1	1	1				N
		(A=E/#85862) (B=E/#85862) (C=E/#85862) (D=E/#85862)									
22	1	121250-66400	LINK, GOVERNOR	1	1	1	1				
23	1	124450-66411	SCREW	1	1	1	1				
24	1	124450-66420	RETAINER	1	1	1	1				
25	1	124450-66430	SPACER	1	1	1	1				
26	1	124460-66440	WASHER	1	1	1	1				
27	1	121120-66100	HOOK ASSY	1	1	1	1				W
		(A=E/#85862) (B=E/#85862) (C=E/#85862) (D=E/#85862)									
28	2	121400-66460	RETAINER	1	1	1	1				
29	1	124450-66510	SUPPORT	1	1	1	1				
30	1	124450-66550	PIN	1	1	1	1				
31	1	22360-060000	PIN, SNAP 6	1	1	1	1				
32	1	22417-200200	PIN, COTTER 2.0X20	2	2	2	2				
32-1	1	22417-200100	COTTER PIN 2.0X10	2	2	2	2				N
		(A=E-XXXX) (B=E-XXXX) (C=E-XXXX) (D=E-XXXX)									
33	1	26557-060082	SCREW, M6X 8	1	1	1	1				
34	1	26657-060002	NUT, CAP M6	2	2	2	2				
35	1	26667-080002	NUT, CAP M8	1	1	1	1				
35-1	1	26666-080002	NUT, CAP M8	1	1	1	1				N
		(A=E-XXXX) (B=E-XXXX) (C=E-XXXX) (D=E-XXXX)									
36	1	26756-050002	NUT, LOCK M5	1	1	1	1				

N:Old $\frac{New}{Old}$ New. Q:Old $\frac{New}{Old}$ New. R:Old $\frac{New}{Old}$ New. S:Old $\frac{New}{Old}$ New. W:Add. Z:Discontinued. F:Interchangeable by set. K:Q'ty Change
 ++ CONTINUE ++
 Copyright (C) YANMAR CO., LTD. All Rights Reserved.

Fig.49. GOVERNOR

Fig. **49** GOVERNOR

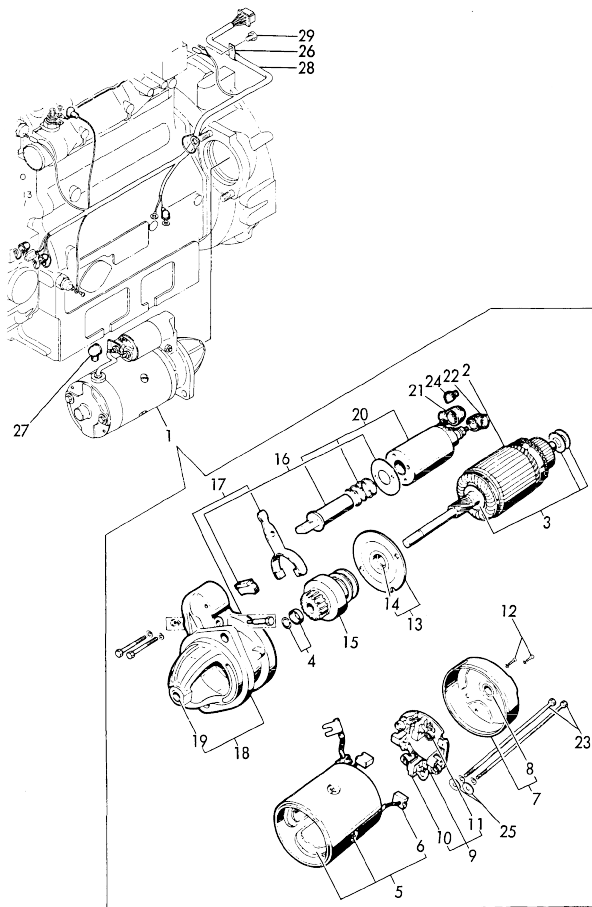


No.	Lev.	Parts No.	Description	Q'ty						I	R
				(A)	(B)	(C)	(D)	(E)	(F)		
37	1	26756-080002	NUT, LOCK M8	1	1	1	1				
38	1	43400-500400	SEAL WASHER 6	2	2	2	2				
39	1	43400-500410	SEAL WASHER 8	2	2	2	2				
40	1	724450-61520	SUPPORT ASSY, WEIGHT	1	1	1	1				
42	2	124450-61200	WEIGHT, GOVERNOR	2	2	2	2				
43	2	124450-61220	PIN, GOVERNOR WEIGHT	2	2	2	2				
44	2	22411-200200	COTTER PIN 2.0X20	4	4	4	4				
44-1	2	22411-200200 (A=E-XXX) (B=E-XXX) (C=E-XXX) (D=E-XXX)	PIN, COTTER 2.0X20	4	4	4	4			R	
44-2	2	22411-200100 (A=E-XXX) (B=E-XXX) (C=E-XXX) (D=E-XXX)	COTTER PIN 2.0X10	4	4	4	4			N	
45	1	121250-61600	SLEEVE	1	1	1	1				
46	1	121400-66190	BRACKET ASSY	1	1	1	1				
48	2	121400-66130	LABEL, INDICATION	1	1	1	1				
49	2	22625-140040	RIVET 1.4X 4	2	2	2	2				
50	1	121400-66090	HANDLE	1	1	1	1				
51	1	121400-66120	PIVOT	1	1	1	1				
52	1	121400-66140	ROD	1	1	1	1				
53	1	121400-66170	WASHER	1	1	1	1				
54	1	101204-66211	KNOB	1	1	1	1				
55	1	124756-67510	RETAINER	1	1	1	1				
56	1	22117-050000	WASHER, 5	1	1	1	1				
57	1	22117-060000 (A=E-XXX) (B=E-XXX) (C=E-XXX)	WASHER, 6	1	1	1	1			Z	
58	1	22117-100000	WASHER, 10	1	1	1	1				
59	1	22137-080000	WASHER, 8	1	1	1	1				
60	1	22242-000100	RING, 10	1	1	1	1				
61	1	22272-000070	RING, E- 7	2	2	2	2				
62	1	22417-120100	PIN, COTTER 1.2X10	1	1	1	1				
63	1	22417-200120	COTTER PIN 2.0X12	1	1	1	1				
64	1	26117-040088	BOLT M 4X 8 PLATED	1	1	1	1				
64-1	1	26116-040088 (A=E-XXX) (B=E-XXX) (C=E-XXX)	BOLT, M4X 8 PLATED	1	1	1	1			N	
65	1	26116-080122	BOLT, M8X 12 PLATED	2	2	2	2				
65-1	1	26106-080122 (A=E/#85862) (B=E/#85862) (C=E/#85862)	BOLT, M8X 12 PLATED	2	2	2	2			N	
66	1	26756-050002	NUT, LOCK M5	2	2	2	2				

N:Old $\frac{New}{Old}$ New, Q:Old $\frac{New}{Old}$ New, R:Old $\frac{New}{Old}$ New, S:Old $\frac{New}{Old}$ New, W:Add, Z:Discontinued, F:Interchangeable by set, K:Q'ty Change
Copyright (C) YANMAR CO., LTD. All Rights Reserved.

Fig.50. STARTING MOTOR(S13-24)

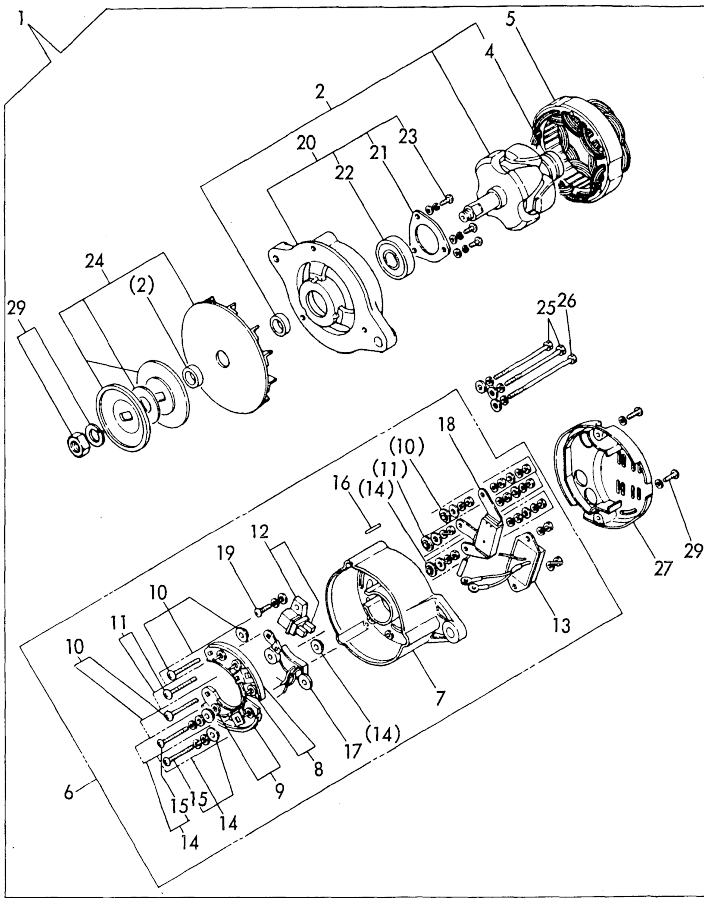
Fig. **50** STARTING MOTOR



No.	Lev.	Parts No.	Description	Q'ty						I	R
				(A)	(B)	(C)	(D)	(E)	(F)		
1	1	121400-77010	STARTER, 13-24ST 12V	1	1	1	1				
2	2	X21307100	ARMATURE ASSY	1	1	1	1				
3	2	X21201115	WASHER SET, THRUST	1	1	1	1				
4	2	X21301119	STOPPER SET, PINION	1	1	1	1				
5	2	X21304220	COIL ASSY, FIELD	1	1	1	1				
6	3	X21304311	BRUSH (+)	1	1	1	1				
7	2	X21307300	COVER ASSY, REAR	1	1	1	1				
8	3	X21301310	METAL, COVER BEARING	1	1	1	1				
9	2	X21304305	HOLDER ASSY, BRUSH	1	1	1	1				
10	3	X21304312	BRUSH (-)	2	2	2	2				
11	3	X21304313	SPRING, BRUSH	4	4	4	4				
12	2	26557-040082	SCREW, M4X 8	6	6	6	6				
13	2	X21303400	BEARING ASSY	1	1	1	1				
14	3	X21204401	METAL, CENTER BEARING	1	1	1	1				
15	2	X21308500	PINION ASSY	1	1	1	1				
16	2	X21302610	COVER SET, DUST	1	1	1	1				
17	2	X21302605	LEVER SET	1	1	1	1				
18	2	X21309600	HOUSING ASSY, GEARS	1	1	1	1				
19	3	X21302601	METAL, CASE BEARING	1	1	1	1				
20	2	X21306700	SWITCH ASSY, MAGNETO	1	1	1	1				
21	2	X21201742	COVER, RUBBER	1	1	1	1				
22	2	X21201744	COVER, RUBBER	1	1	1	1				
23	2	X21303820	THROUGH BOLT	2	2	2	2				
24	2	X21201836	COVER, RUBBER	1	1	1	1				
25	2	X21301827	WASHER	2	2	2	2				
26	1	103884-03160	SUPPORT	1	1	1	1				
27	1	124550-77030	COVER, TERMINAL	1	1	1	1				
28	1	121400-77920	HARNESS, WIRE	1	1	1	1				S
28-1	1	121400-77921	HARNESS, WIRE	1	1	1	1				
				(A=E/#00793)	(B=E/#00793)	(C=E/#00793)	(D=E/#00793)				
29	1	26116-080102	BOLT, M8X 10 PLATED	1	1						
29-1	1	26106-080102	BOLT, M8X 10 PLATED	1	1						N
				(A=E/#85862)	(B=E/#85862)						

Fig.51. GENERATOR(LR135-31)(PREVIOUS)

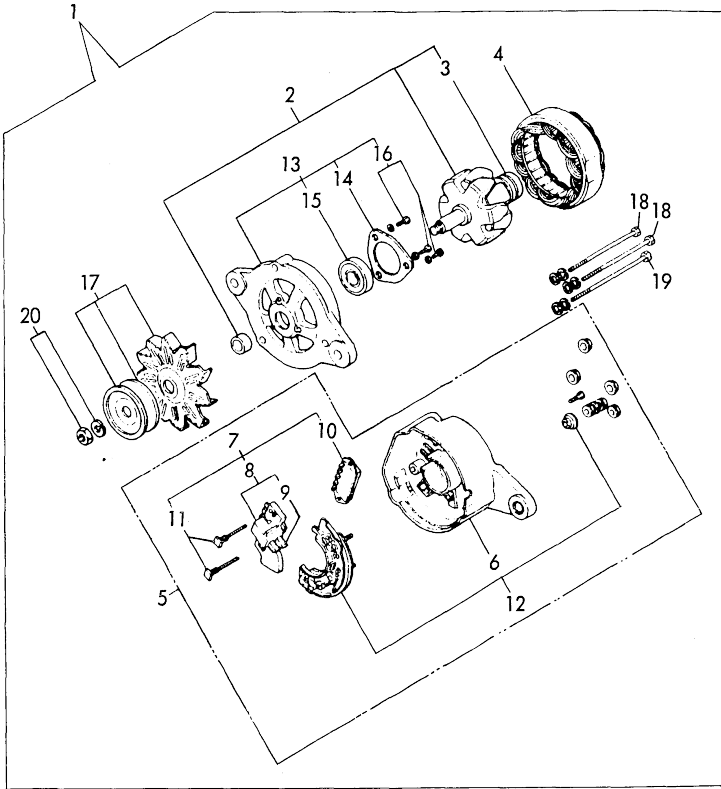
Fig.51 GENERATOR (TYPE:LR135-31) (PREVIOUS)



No.	Lev.	Parts No.	Description	Q'ty						I	R
				(A)	(B)	(C)	(D)	(E)	(F)		
1	1	121370-77200 (A=E-XXX)	GENERATOR, LR135-31 (C=E-XXX) (D=E-XXX)	1	1	1	1			Z	
2	2	XLR135Y1100	ROTOR ASSY	1	1	1	1				
4	3	X6201SD	BALL BEARING	1	1	1	1				
5	2	XL135Y1200	STATOR ASSY	1	1	1	1				
6	2	XL135Y1300	COVER ASSY, REAR	1	1	1	1				
7	3	XL135Y1301	COVER, REAR	1	1	1	1				
8	3	XL135Y1302	SR HOLDER (+)	1	1	1	1				
9	3	XL135Y1303	SR HOLDER (-)	1	1	1	1				
10	3	XL135Y1310	TERMINAL ASSY	2	2	2	2				
11	3	XL135Y1311	TERMINAL ASSY	1	1	1	1				
12	3	XL135Y13200	BRUSH ASSY.	1	1	1	1				
13	3	XTR1Z28	REGULATOR	1	1	1	1				
14	3	XL135Y1803	SCREW SET	2	2	2	2				
15	4	26557-050362	SCREW M 5X 36	2	2	2	2				
16	3	XL135Y1810	LOCK, BEARING	1	1	1	1				
17	3	XMV11305	CONTROL UNIT, FIELD	1	1	1	1				
18	3	XMV11306	CR ASSY	1	1	1	1				
19	3	26557-050162	SCREW, M5X16	1	1	1	1				
20	2	XL135Y1400	COVER ASSY, FRONT	1	1	1	1				
21	3	XL135Y1401	RETAINER, BEARING	1	1	1	1				
22	3	X6302BM	BALL BEARING	1	1	1	1				
23	3	26557-040122	SCREW, M4X12	3	3	3	3				
24	2	XL135Y1531	PULLEY ASSY	1	1	1	1				
25	2	XL135Y1801	BOLT, THROUGH	2	2	2	2				
26	2	XL135Y1802	BOLT, THROUGH	1	1	1	1				
27	2	XL135Y1820	COVER	1	1	1	1				
28	2	XB444001A	NUT SET, PULLEY	1	1	1	1				
29	2	26557-050102	SCREW, M5X10	1	1	1	1				

Fig.52. GENERATOR(LR120-15)(PREVIOUS)

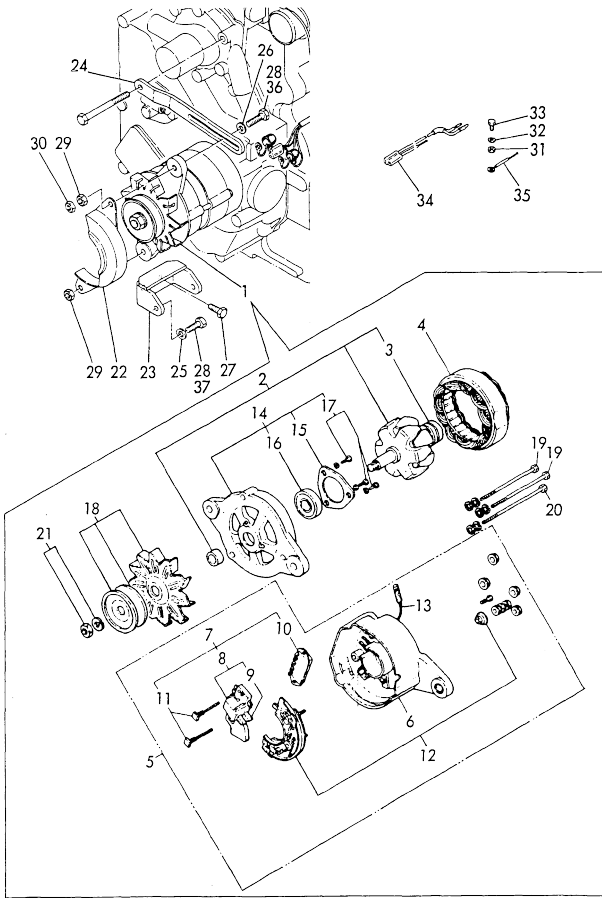
Fig. **52** GENERATOR (TYPE:LR120-15) (PREVIOUS)



No.	Lev.	Parts No.	Description	Q'ty						I	R
				(A)	(B)	(C)	(D)	(E)	(F)		
1	1	121400-77200 (A=E-XXX)	GENERATOR, 12V-20A (C=E-XXX)	1	1	1	1			Z	
2	2	XL12031001 (B=E-XXX)	ROTOR ASSY (D=E-XXX)	1	1	1	1				
3	3	X6201SD	BALL BEARING	1	1	1	1				
4	2	XL1209200	STATOR ASSY	1	1	1	1				
5	2	XL12063001	COVER ASSY, REAR	1	1	1	1				
6	3	XL12013011	COVER, REAR	1	1	1	1				
7	3	XL12013173	REGULATOR	1	1	1	1				
8	4	XL1208326	BRUSH ASSY	1	1	1	1				
9	4	XL12013262	BRUSH	2	2	2	2				
10	4	XTR1Z44	IC REGULATOR	1	1	1	1				
11	4	XL13513134	BOLT	2	2	2	2				
12	3	XL13513203	DIODE	1	1	1	1				
13	2	XL1202401	COVER ASSY, FRONT	1	1	1	1				
14	3	XL13514041	RETAINER	1	1	1	1				
15	3	X6202B	BALL BEARING	1	1	1	1				
15-1	3	X6202BM (A=E-XXX)	BALL BEARING (B=E-XXX)	1	1	1	1				R
16	3	XL12010001	SCREW KIT	1	1	1	1				
17	2	XL1201510	PULLEY	1	1	1	1				
18	2	XL160M18021	BOLT, THROUGH	2	2	2	2				
19	2	XL1602801Y	BOLT, THROUGH	1	1	1	1				
20	2	X495469B	NUT SET	1	1	1	1				

Fig.53. GENERATOR(LR120-15C)

Fig. 53 GENERATOR (TYPE:LR120-15C)

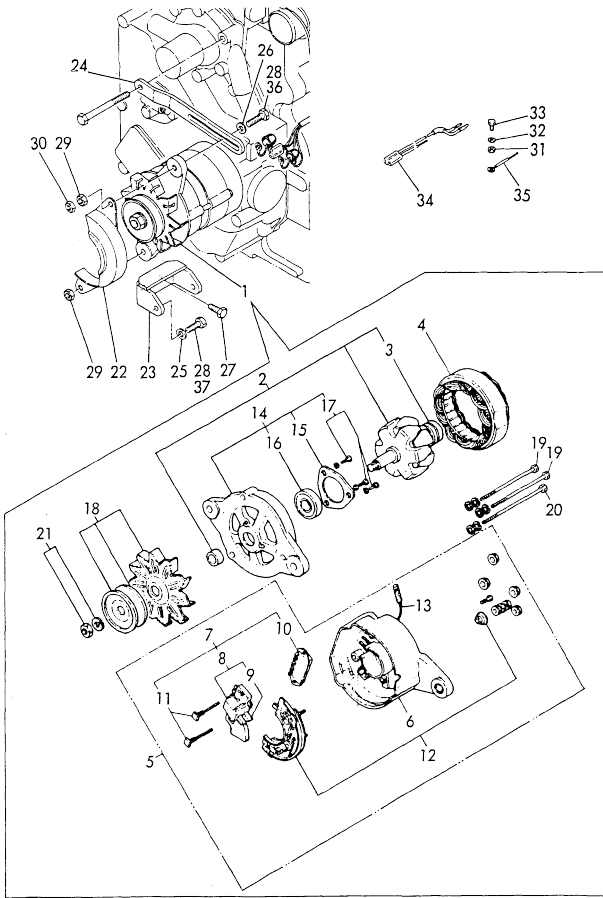


No.	Lev.	Parts No.	Description	Q'ty						I	R
				(A)	(B)	(C)	(D)	(E)	(F)		
1	1	121400-77201	GENERATOR, LR120-15C	1	1	1	1				
2	2	XL12031001	ROTOR ASSY	1	1	1	1				
3	3	X6201SD	BALL BEARING	1	1	1	1				
3-1	3	124080-77490	BALL BEARING	1	1	1	1				R
		(A=EXXX) (B=EXXX) (C=EXXX) (D=EXXX)									
4	2	XL1209200	STATOR ASSY	1	1	1	1				
5	2	XL1353002	COVER ASSY, REAR	1	1	1	1				
5-1	2	124080-77330	COVER ASSY, REAR	1	1	1	1				R
		(A=EXXX) (B=EXXX) (C=EXXX) (D=EXXX)									
6	3	XL12033011	COVER, REAR	1	1	1	1				
6-1	3	124080-77340	COVER, REAR	1	1	1	1				R
		(A=EXXX) (B=EXXX) (C=EXXX) (D=EXXX)									
7	3	XL13513152	BRUSH ASSY,REGULATOR	1	1	1	1				
7-1	3	124080-77350	BRUSH ASSY,REGULATOR	1	1	1	1				R
		(A=EXXX) (B=EXXX) (C=EXXX) (D=EXXX)									
8	4	XL1354326	BRUSH ASSY	1	1	1	1				
8-1	4	124080-77360	BRUSH ASSY	1	1	1	1				R
		(A=EXXX) (B=EXXX) (C=EXXX) (D=EXXX)									
9	4	XL12013262	BRUSH	2	2	2	2				
9-1	4	124080-77380	BRUSH	2	2	2	2				R
		(A=EXXX) (B=EXXX) (C=EXXX) (D=EXXX)									
10	4	XTR1Z63	REGULATOR ASSY	1	1	1	1				
10-1	4	124080-77390	REGULATOR ASSY	1	1	1	1				R
		(A=EXXX) (B=EXXX) (C=EXXX) (D=EXXX)									
11	4	XL13513134	BOLT M 5	2	2	2	2				
11-1	4	124080-77520	BOLT M 5	2	2	2	2				R
		(A=EXXX) (B=EXXX) (C=EXXX) (D=EXXX)									
12	3	XL13513203	DIODE	1	1	1	1				
12-1	3	120480-77400	DIODE	1	1	1	1				R
		(A=EXXX) (B=EXXX) (C=EXXX) (D=EXXX)									
13	3	XL1356360	WIRE ASSY, LEAD	1	1	1	1				
13-1	3	124080-77530	WIRE ASSY, LEAD	1	1	1	1				R
		(A=EXXX) (B=EXXX) (C=EXXX) (D=EXXX)									
14	2	XL1202401	COVER ASSY, FRONT	1	1	1	1				
14-1	2	124080-77420	COVER ASSY	1	1	1	1				R
		(A=EXXX) (B=EXXX) (C=EXXX) (D=EXXX)									
15	3	XL13514041	RETAINER	1	1	1	1				
15-1	3	124080-77430	RETAINER, BEARING	1	1	1	1				R
		(A=EXXX) (B=EXXX) (C=EXXX) (D=EXXX)									
16	3	X6202BM	BALL BEARING	1	1	1	1				
16-1	3	124080-77480	BEARING, 6202DDU	1	1	1	1				R
		(A=EXXX) (B=EXXX) (C=EXXX) (D=EXXX)									
17	3	XL12010001	SCREW KIT	1	1	1	1				
17-1	3	124080-77500	SCREW KIT	1	1	1	1				R
		(A=EXXX) (B=EXXX) (C=EXXX) (D=EXXX)									
18	2	XL1201510	PULLEY ASSY	1	1	1	1				
18-1	2	124080-77440	PULLEY ASSY	1	1	1	1				R
		(A=EXXX) (B=EXXX) (C=EXXX) (D=EXXX)									
19	2	XL1254801	BOLT, THROUGH	2	2	2	2				
19-1	2	124080-77450	BOLT, THROUGH	2	2	2	2				R
		(A=EXXX) (B=EXXX) (C=EXXX) (D=EXXX)									

N:Old $\frac{New}{Old}$ New. Q:Old $\frac{New}{Old}$ New. R:Old $\frac{New}{Old}$ New. S:Old $\frac{New}{Old}$ New. W:Add. Z:Discontinued. F:Interchangeable by set. K:Q'ty Change
 ++ CONTINUE ++
 Copyright (C) YANMAR CO., LTD. All Rights Reserved.

Fig.53. GENERATOR(LR120-15C)

Fig. 53 GENERATOR (TYPE:LR120-15C)

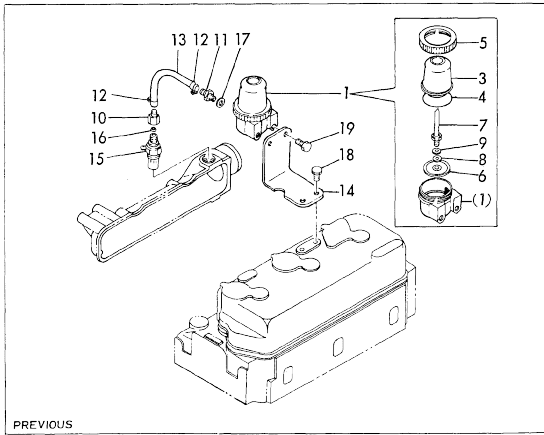
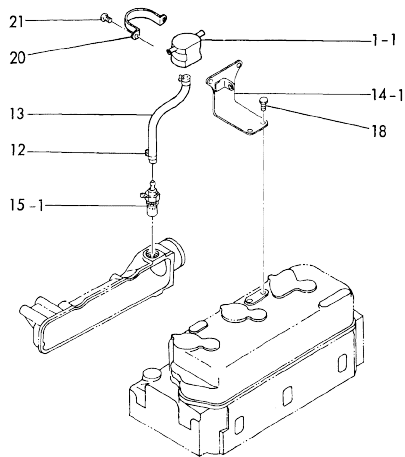


No.	Lev.	Parts No.	Description	Qty						I	R
				(A)	(B)	(C)	(D)	(E)	(F)		
20	2	XL1255801	BOLT, THROUGH	1	1	1	1				
20-1	2	124080-77460	BOLT, THROUGH	1	1	1	1				R
		(A=E)XXX (B=E)XXX (C=E)XXX (D=E)XXX									
21	2	XB495469B	NUT ASSY, PULLEY	1	1	1	1				
21-1	2	124080-77470	NUT ASSY, PULLEY	1	1	1	1				R
		(A=E)XXX (B=E)XXX (C=E)XXX (D=E)XXX									
22	1	121250-77210	COVER, GENERATOR	1	1	1	1				
23	1	121400-77250	BRACKET, GENERATOR	1	1	1	1				
24	1	121400-77330	ADJUSTER	1	1	1	1				
25	1	124250-77390	SHIM	1	1	1	1				Z
		(A=E)XXX (B=E)XXX (C=E)XXX (D=E)XXX									
26	1	22137-080000	WASHER, 8	1	1	1	1				Z
		(A=E)XXX (B=E)XXX (C=E)XXX (D=E)XXX									
27	1	26116-080182	BOLT, M8X 18 PLATED	2	2	2	2				
27-1	1	26106-080182	BOLT, M8X 18 PLATED	2	2	2	2				N
		(A=E/#85862) (B=E/#85862) (C=E/#85862) (D=E/#85862)									
28	1	26116-080302	BOLT, M8X 30 PLATED	3	3	3	3				Z
		(A=E)XXX (B=E)XXX (C=E)XXX (D=E)XXX									
29	1	26716-080002	NUT, M8	2	2	2	2				
29-1	1	26366-080002	NUT, M8	2	2	2	2				N
		(A=E/#85862) (B=E/#85862) (C=E/#85862) (D=E/#85862)									
30A	1	26756-080002	NUT, LOCK M8	1		1	1				
30B	1	26366-080002	NUT, M8	1	1						N
		(A=E/#85862) (B=E/#85862)									
31	1	26716-050002	NUT, M5	1	1						W
		(A=E/#00793) (B=E/#00793)									
32	1	22117-050000	WASHER, 5	2	2						W
		(A=E/#00793) (B=E/#00793)									
33	1	26116-050102	BOLT, M5X 10 PLATED	1	1						W
		(A=E/#00793) (B=E/#00793)									
34	1	121400-77930	HARNES, WIRE	1	1						W
		(A=E/#00793) (B=E/#00793)									
34-1	1	121400-77921	HARNES, WIRE	1	1						N
		(A=E)XXX (B=E)XXX									
35	1	121400-77940	HARNES, WIRE	1	1						W
		(A=E/#00793) (B=E/#00793)									
36A	1	26106-080302	BOLT, M8X 30 PLATED	1	1						W
		(A=E/#85862) (B=E/#85862)									
36B	1	26014-080302	BOLT, M8X 30			1	1				
37A	1	26014-080352	BOLT, M8X 35	2	2						W
		(A=E/#85862) (B=E/#85862)									
37B	1	26106-080302	BOLT, M8X 30 PLATED			2	2				

N:Old $\frac{100}{100}$ New. Q:Old $\frac{100}{100}$ New. R:Old $\frac{100}{100}$ New. S:Old $\frac{100}{100}$ New. W:Add. Z:Discontinued. F:Interchangeable by set. K:Qty Change
 Copyright (C) YANMAR CO., LTD. All Rights Reserved.

Fig.54. THERMOSTART

Fig. 54 THERMOSTAT

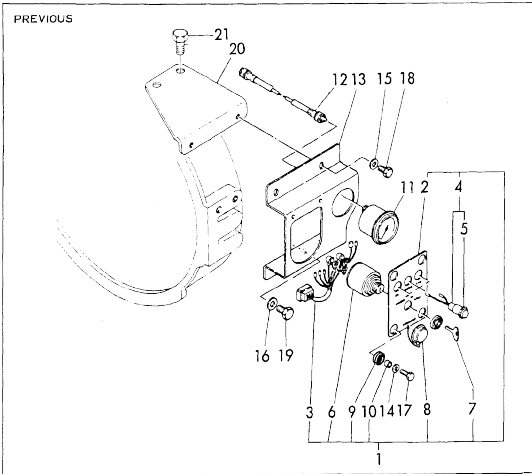
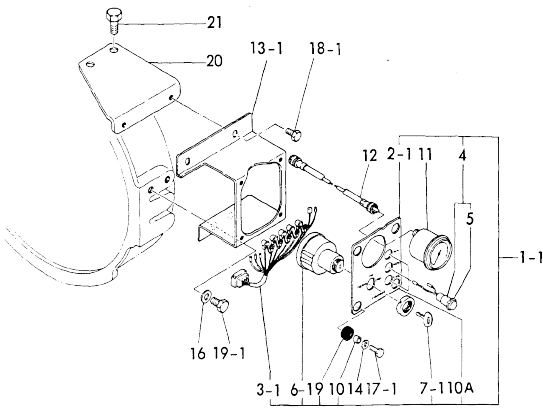


No.	Lev.	Parts No.	Description	Q'ty						I	R
				(A)	(B)	(C)	(D)	(E)	(F)		
1	1	124450-77940	TANK, HEADER	1	1	1	1				
1-1	1	121750-77800	TANK ASSY, HEADER	1	1	1	1				S
		(A=E#G00839) (B=E#G00839) (C=E#G00839) (D=E#G00839)									
3	2	102103-55510	COVER	1	1	1	1				Z
		(A=E#G00839) (B=E#G00839) (C=E#G00839) (D=E#G00839)									
4	2	102103-55520	O-RING	1	1	1	1				Z
		(A=E#G00839) (B=E#G00839) (C=E#G00839) (D=E#G00839)									
5	2	110250-55610	RING, RETAINING	1	1	1	1				Z
		(A=E#G00839) (B=E#G00839) (C=E#G00839) (D=E#G00839)									
6	2	124450-77760	ELEMENT	1	1	1	1				Z
		(A=E#G00839) (B=E#G00839) (C=E#G00839) (D=E#G00839)									
7	2	124450-77770	BOLT	1	1	1	1				Z
		(A=E#G00839) (B=E#G00839) (C=E#G00839) (D=E#G00839)									
8	2	22117-080000	WASHER, 8	1	1	1	1				Z
		(A=E#G00839) (B=E#G00839) (C=E#G00839) (D=E#G00839)									
9	2	23414-080000	GASKET, 8X1.0	1	1	1	1				
9-1	2	22217-080000	WASHER, SPRING 8	1	1	1	1				R
		(A=*1978.01) (B=*1978.01) (C=*1978.01) (D=*1978.01)									
9-2	2	22217-080000	WASHER, SPRING 8	1	1	1	1				Z
		(A=E#G00839) (B=E#G00839) (C=E#G00839) (D=E#G00839)									
10	1	124460-77660	JOINT, PIPE	1	1	1	1				Z
		(A=*1979.05) (B=*1979.05) (C=*1979.05) (D=*1979.05)									
11	1	124732-77670	JOINT	1	1	1	1				Z
		(A=E#G00839) (B=E#G00839) (C=E#G00839) (D=E#G00839)									
12	1	124060-77680	CLIP, HOSE 10	2	2	2	2				
13	1	121400-77701	PIPE, FUEL D11X280	1	1	1	1				
14	1	121236-77780	STAY	1	1	1	1				
14-1	1	121250-77812	RETAINER	1	1	1	1				S
		(A=E#G00839) (B=E#G00839) (C=E#G00839) (D=E#G00839)									
15	1	124450-77910	PLUG, THERMOSTAT	1	1	1	1				
15-1	1	121023-77910	PLUG, THERMOSTAT	1	1	1	1				F
		(A=*1979.05) (B=*1979.05) (C=*1979.05) (D=*1979.05)									
16	1	124450-77980	RETAINER	1	1	1	1				Z
		(A=*1979.05) (B=*1979.05) (C=*1979.05) (D=*1979.05)									
17	1	23414-100000	GASKET, 10X1.0	1	1	1	1				Z
		(A=E#G00839) (B=E#G00839) (C=E#G00839) (D=E#G00839)									
18	1	26116-080122	BOLT, M8X 12 PLATED	2	2	2	2				
19	1	26116-080162	BOLT, M8X 16 PLATED	2	2	2	2				Z
		(A=E#G00839) (B=E#G00839) (C=E#G00839) (D=E#G00839)									
20	1	124460-77820	RETAINER	1	1	1	1				W
		(A=E#G00839) (B=E#G00839) (C=E#G00839) (D=E#G00839)									
21	1	26557-060082	SCREW, M6X 8	2	2	2	2				W
		(A=E#G00839) (B=E#G00839) (C=E#G00839) (D=E#G00839)									

N:Old $\frac{NOC}{100}$ New. Q:Old $\frac{HQ}{100}$ New. R:Old $\frac{RQC}{100}$ New. S:Old $\frac{S10}{100}$ New. W:Add. Z:Discontinued. F:Interchangeable by set. K:Q'ty Change
 Copyright (C) YANMAR CO., LTD. All Rights Reserved.

Fig.55. INSTRUMENT PANEL

Fig. 55 INSTRUMENT PANEL

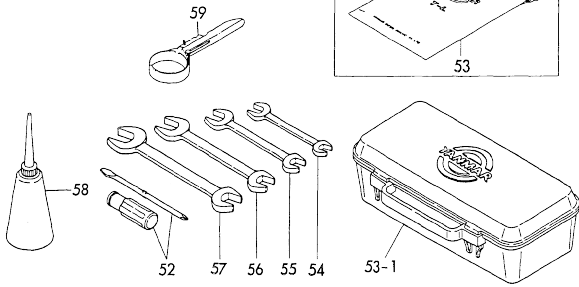
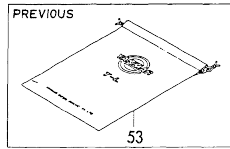
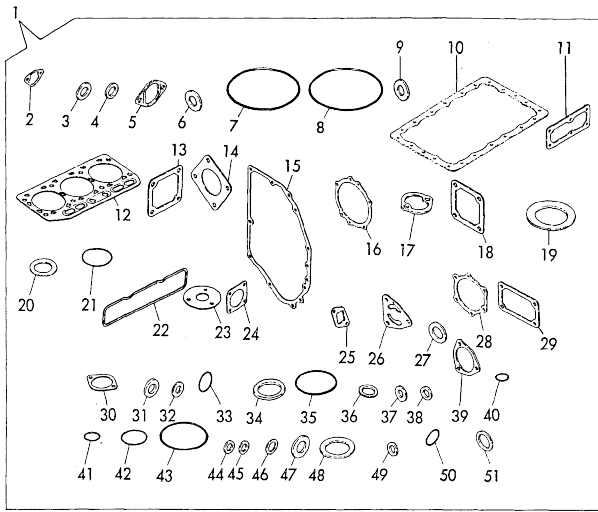


No.	Lev.	Parts No.	Description	Q'ty						I	R
				(A)	(B)	(C)	(D)	(E)	(F)		
1	1	121400-91000	PANEL ASSY	1	1	1	1				
1-1	1	121400-91001	PANEL ASSY	1	1	1	1				F
		(A=E/#G00793) (B=E/#G00793) (C=E/#G00793) (D=E/#G00793)									
2	2	121400-91010	PANEL, INSTRUMENT	1	1	1	1				S
2-1	2	121400-91011	BODY, PANEL	1	1	1	1				
		(A=E/#G00793) (B=E/#G00793) (C=E/#G00793) (D=E/#G00793)									
3	2	121400-91030	HARNESS, WIRE	1	1	1	1				S
3-1	2	121400-91031	HARNESS, WIRE	1	1	1	1				
		(A=E/#G00793) (B=E/#G00793) (C=E/#G00793) (D=E/#G00793)									
4	2	124770-91040	LAMP, PILOT 12V 3.4W	3	3	3	3				
5	3	46150-001110	BULB(12V3W/G11.BA9S)	3	3	3	3				
6	2	121400-91250	SWITCH, STARTER	1	1	1	1				
6-1	2	121400-91251	SWITCH, STARTER	1	1	1	1				S
		(A=E/#G00793) (B=E/#G00793) (C=E/#G00793) (D=E/#G00793)									
7	3	121400-91270	KEY	1	1	1	1				
7-1	3	121400-91271	KEY, SWITCH	1	1	1	1				S
		(A=E/#G00793) (B=E/#G00793) (C=E/#G00793) (D=E/#G00793)									
8	2	124770-91260	CAP, SWITCH	1	1	1	1				Z
		(A=E/XXXX) (B=E/XXXX) (C=E/XXXX) (D=E/XXXX)									
9	2	121400-91520	ABSORBER	4	4	4	4				
10	2	121400-91530	SPACER	4	4	4	4				
10A	2	121400-91600	LABEL	1	1	1	1				W
		(A=E/XXXX) (B=E/XXXX)									
11	1	124258-91101	TACHOMETER	1	1	1	1				
11-1	1	171014-91101	TACHOMETER	1	1	1	1				N
		(A=E/#87475) (B=E/#87475)									
12	1	121400-91140	SHAFT	1	1	1	1				
12A	1	42130-502220	CABLE, TACHOMETER				1				
12B	1	194145-56901	CABLE, HOUR-METER				1				
13	1	121400-91500	BRACKET	1	1	1	1				
13-1	1	121400-91501	BRACKET	1	1	1	1				S
		(A=E/#G00793) (B=E/#G00793) (C=E/#G00793) (D=E/#G00793)									
14	1	22117-060000	WASHER, 6	4	4	4	4				Z
		(A=E/XXXX) (B=E/XXXX) (C=E/XXXX) (D=E/XXXX)									
15	1	22117-080000	WASHER, 8	2	2	2	2				Z
		(A=E/XXXX) (B=E/XXXX) (C=E/XXXX) (D=E/XXXX)									
16	1	22117-100000	WASHER, 10	2	2	2	2				Z
		(A=E/XXXX) (B=E/XXXX) (C=E/XXXX) (D=E/XXXX)									
17	1	26116-060162	BOLT, M6X 16 PLATED	4	4	4	4				
17-1	1	26106-060142	BOLT, M6X 14 PLATED	4	4	4	4				N
		(A=E/#85862) (B=E/#85862) (C=E/#85862) (D=E/#85862)									
18	1	26116-080122	BOLT, M8X 12 PLATED	2	2	2	2				
18-1	1	26106-080102	BOLT, M8X 10 PLATED	2	2	2	2				N
		(A=E/#85862) (B=E/#85862) (C=E/#85862) (D=E/#85862)									
19	1	26116-100202	BOLT, M10X 20 PLATED	2	2	2	2				
19-1	1	26106-100182	BOLT, M10X 18 PLATED	2	2	2	2				N
		(A=E/#85862) (B=E/#85862) (C=E/#85862) (D=E/#85862)									
20	1	121480-91090	BRACKET	1	1	1	1				
21	1	26116-120252	BOLT, M12X 25 PLATED	2	2	2	2				

N:Old $\frac{100}{100}$ New, Q:Old $\frac{100}{100}$ New, R:Old $\frac{100}{100}$ New, S:Old $\frac{100}{100}$ New, W:Add, Z:Discontinued, F:Interchangeable by set, K:Q'ty Change
 Copyright (C) YANMAR CO., LTD. All Rights Reserved.

Fig.56. GASKET SET(OPTIONAL) & TOOL

Fig. **56** GASKET SET (OPTIONAL) & TOOL

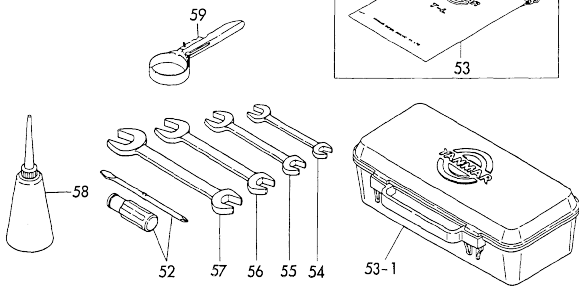
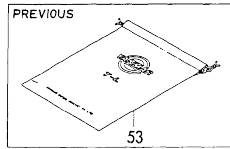
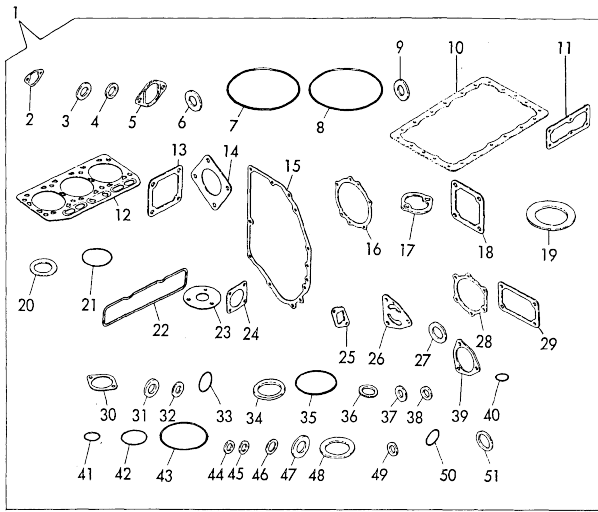


No.	Lev.	Parts No.	Description	Q'ty						I	R
				(A)	(B)	(C)	(D)	(E)	(F)		
1	1	721400-92600	GASKET SET	1	1	1	1				
1-1	1	721400-92601	GASKET SET	1	1	1	1				N
		(A=E/XXX) (B=E/XXX) (C=E/XXX) (D=E/XXX)									
1-2	1	721400-92602	GASKET SET	1	1	1	1				N
		(A=E/#90311) (B=E/#90311) (C=E/#90311) (D=E/#90311)									
2	2	121400-01850	GASKET	1	1	1	1				
2-1	2	121520-01851	GASKET	1	1	1	1				N
		(A=E/#90311) (B=E/#90311) (C=E/#90311) (D=E/#90311)									
3	2	124450-01980	GASKET	1	1	1	1				
4	2	121250-01990	GASKET	1	1	1	1				
4-1	2	121250-01990	GASKET	3	3	3	3				K
		(A=E/XXX) (B=E/XXX) (C=E/XXX) (D=E/XXX)									
5	2	124160-34843	GASKET	1	1	1	1				
5-1	2	124160-34844	GASKET	1	1	1	1				N
		(A=E/XXX) (B=E/XXX) (C=E/XXX) (D=E/XXX)									
6	2	43400-500410	SEAL WASHER 8	4	4	4	4				
7	2	124550-01300	GASKET, LINER	6	6	6	6				
7-1	2	124550-01300	GASKET, LINER	3	3	3	3				K
		(A=E/XXX) (B=E/XXX) (C=E/XXX) (D=E/XXX)									
8	2	121420-01300	GASKET, LINER	3	3	3	3				W
		(A=E/XXX) (B=E/XXX) (C=E/XXX) (D=E/XXX)									
9	2	43400-500490	SEAL WASHER 16	2	2	2	2				
9-1	2	43400-500490	SEAL WASHER 16	4	4	4	4				K
		(A=E/XXX) (B=E/XXX) (C=E/XXX) (D=E/XXX)									
9-2	2	24311-000180	O-RING, 1AP18.0	4	4	4	4				N
		(A=E/#85862) (B=E/#85862) (C=E/#85862) (D=E/#85862)									
10	2	121250-01750	GASKET, OIL SUMP	1	1	1	1				
10-1	2	121250-01751	GASKET, OIL SUMP	1	1	1	1				N
		(A=E/XXX) (B=E/XXX) (C=E/XXX) (D=E/XXX)									
11	2	124160-01862	GASKET	1	1	1	1				
11-1	2	124160-01863	GASKET	1	1	1	1				N
		(A=E/XXX) (B=E/XXX) (C=E/XXX) (D=E/XXX)									
12	2	121400-01330	GASKET, HEAD	1	1	1	1				
13	2	124160-01531	GASKET	1	1	1	1				
13-1	2	124160-01532	GASKET	1	1	1	1				N
		(A=E/XXX) (B=E/XXX) (C=E/XXX) (D=E/XXX)									
14	2	124240-01881	GASKET	1	1	1	1				
14-1	2	124240-01882	GASKET	1	1	1	1				N
		(A=E/XXX) (B=E/XXX) (C=E/XXX) (D=E/XXX)									
14-2	2	124240-01883	GASKET	1	1	1	1				N
		(A=E/#90311) (B=E/#90311) (C=E/#90311) (D=E/#90311)									
15	2	124450-01511	GASKET, GEAR CASE	1	1	1	1				
15-1	2	124450-01512	GASKET, GEAR CASE	1	1	1	1				N
		(A=E/XXX) (B=E/XXX) (C=E/XXX) (D=E/XXX)									
16	2	124460-02150	GASKET	1	1	1	1				
17	2	124460-03662	GASKET	2	2	2	2				
17-1	2	124460-03363	GASKET	2	2	2	2				N
		(A=E/XXX) (B=E/XXX) (C=E/XXX) (D=E/XXX)									
18	2	124450-11681	GASKET	1	1	1	1				
19	2	104900-11450	GASKET, CHAMBER	6	6	6	6				
20	2	103854-11490	INSULATOR	3	3	3	3				

N:Old $\frac{New}{Old}$ New. Q:Old $\frac{New}{Old}$ New. R:Old $\frac{New}{Old}$ New. S:Old $\frac{New}{Old}$ New. W:Add. Z:Discontinued. F:Interchangeable by set. K:Q'ty Change
 ++ CONTINUE ++
 Copyright (C) YANMAR CO., LTD. All Rights Reserved.

Fig.56. GASKET SET(OPTIONAL) & TOOL

Fig. **56** GASKET SET (OPTIONAL) & TOOL

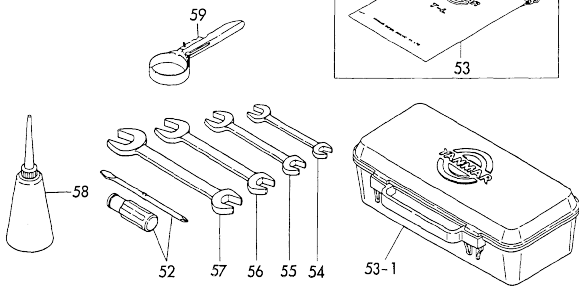
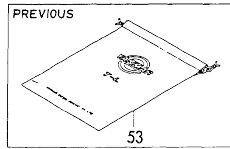
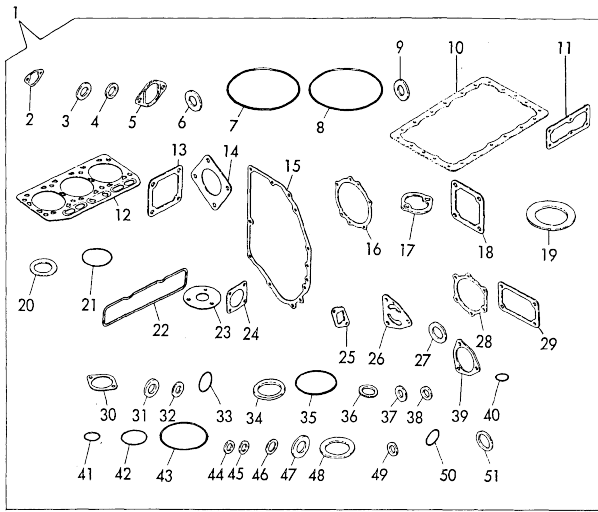


No.	Lev.	Parts No.	Description	Q'ty						I	R
				(A)	(B)	(C)	(D)	(E)	(F)		
21	2	121256-03860	GASKET	1	1	1	1				
21-1	2	24321-000350	O-RING, 1AG35.0	1	1	1	1				N
		(A=E)XXX (B=E)XXX (C=E)XXX (D=E)XXX									
21-2	2	121420-01760	O-RING	1	1	1	1				N
		(A=E)XXX (B=E)XXX (C=E)XXX (D=E)XXX									
22	2	121250-12710	GASKET, MANIFOLD	1	1	1	1				
23	2	103954-13200	GASKET, SILENCER	1	1	1	1				
24	2	124701-11910	GASKET, SILENCER	1	1	1	1				
24-1	2	124701-11911	GASKET, SILENCER	1	1	1	1				N
		(A=E/#90311) (B=E/#90311) (C=E/#90311) (D=E/#90311)									
25	2	121250-13520	GASKET	3	3	3	3				
26	2	124450-32020	GASKET	1	1	1	1				
27	2	124770-34730	GASKET	2	2	2	2				
28	2	121256-42050	GASKET	1	1	1	1				
29	2	124450-44410	GASKET	1	1	1	1				
30	2	124736-49540	GASKET	1	1	1	1				
30-1	2	129350-49540	GASKET	1	1	1	1				N
		(A=E)XXX (B=E)XXX (C=E)XXX (D=E)XXX									
30-2	2	129350-49541	GASKET	1	1	1	1				N
		(A=E/#90311) (B=E/#90311) (C=E/#90311) (D=E/#90311)									
31	2	174307-51270	GASKET	3	3	3	3				
32	2	124550-51350	GASKET, DELIVERY	3	3	3	3				
33	2	124550-51370	O-RING	3	3	3	3				
34	2	172100-53200	GASKET	3	3	3	3				
35	2	102103-55520	O-RING	2	2	2	2				
36	2	104200-59170	GASKET, 12	2	2	2	2				
37	2	43400-500390	SEAL WASHER 6	1	1	1	1				
38	2	43400-500400	SEAL WASHER 6	2	2	2	2				
39	2	124250-91411	GASKET	1	1	1	1				
39-1	2	124250-91412	GASKET	1	1	1	1				N
		(A=E)XXX (B=E)XXX (C=E)XXX (D=E)XXX									
40	2	24311-000070	O-RING, 1AP7.0	4	4	4	4				
41	2	24311-000100	O-RING, 1AP10.0	1	1	1	1				
42	2	24311-000140	O-RING, 1AP14.0	3	3	3	3				
42-1	2	24311-000140	O-RING, 1AP14.0	5	5	5	5				K
		(A=E)XXX (B=E)XXX (C=E)XXX (D=E)XXX									
43	2	24311-000320	O-RING, 1AP32.0	1	1	1	1				
44	2	23414-080000	GASKET, 8X1.0	6	6	6	6				
45	2	23414-080012	GASKET, 8X1.0	10	10	10	10				
46	2	23414-100000	GASKET, 10X1.0	3	3	3	3				
47	2	23414-160000	GASKET, 16X1.0	2	2	2	2				
47-1	2	124465-44950	GASKET, 16	2	2	2	2				N
		(A=E)XXX (B=E)XXX (C=E)XXX (D=E)XXX									
48	2	23414-270035	GASKET, 27X1.0	1	1	1	1				
48-1	2	23414-250031	GASKET, 25X1.0	1	1	1	1				N
		(A=E)XXX (B=E)XXX (C=E)XXX (D=E)XXX									
49	2	23414-060000	GASKET, 6X1.0	3	3	3	3				
50	2	124450-35110	O-RING	1	1	1	1				
51	2	124060-44520	GASKET	1	1	1	1				
52	1	104200-92350	DRIVER, SCREW	1	1	1	1				
53	1	121400-92690	BAG, TOOL	1	1	1	1				

N:Old $\frac{100}{100}$ New. Q:Old $\frac{100}{100}$ New. R:Old $\frac{100}{100}$ New. S:Old $\frac{100}{100}$ New. W:Add. Z:Discontinued. F:Interchangeable by set. K:Q'ty Change
 ++ CONTINUE ++ Copyright (C) YANMAR CO., LTD. All Rights Reserved.

Fig.56. GASKET SET(OPTIONAL) & TOOL

Fig. **56** GASKET SET (OPTIONAL) & TOOL

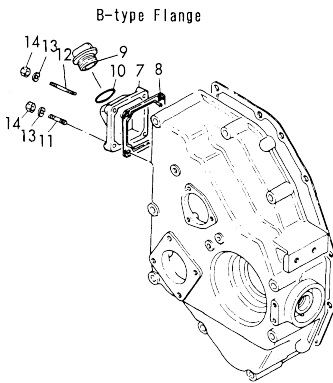
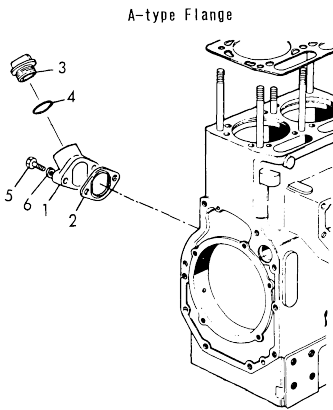


No.	Lev.	Parts No.	Description	Q'ty						I	R
				(A)	(B)	(C)	(D)	(E)	(F)		
53-1	1	104200-92600	BOX, TOOL								R
		(A=E/#85862) (B=E/#85862) (C=E/#85862) (D=E/#85862)		1	1	1	1				
54	1	28110-100130	SPANNER, 10X13								S
		(A=E/#90311) (B=E/#90311) (C=E/#90311) (D=E/#90311)		1	1	1	1				
55	1	28110-120140	SPANNER, 12X14								S
		(A=E/#90311) (B=E/#90311) (C=E/#90311) (D=E/#90311)		1	1	1	1				
55-1	1	28110-140170	SPANNER, 14X17								S
		(A=E/#90311) (B=E/#90311) (C=E/#90311) (D=E/#90311)		1	1	1	1				
56	1	28110-170190	SPANNER, 17X19								S
		(A=E/#90311) (B=E/#90311) (C=E/#90311) (D=E/#90311)		1	1	1	1				
56-1	1	28110-190220	SPANNER, 19X22								S
		(A=E/#90311) (B=E/#90311) (C=E/#90311) (D=E/#90311)		1	1	1	1				
57	1	28110-220240	SPANNER, 22X24								Z
		(A=E/XXXX) (B=E/XXXX) (C=E/XXXX) (D=E/XXXX)		1	1	1	1				
58	1	28210-000140	OILER								
		(A=E/XXXX) (B=E/XXXX) (C=E/XXXX) (D=E/XXXX)		1	1	1	1				
59	1	127610-92750	WRENCH, FILTER								W
		(A=E/XXXX) (B=E/XXXX) (C=E/XXXX) (D=E/XXXX)		1	1	1	1				

N:Old $\frac{New}{Old}$ New, Q:Old $\frac{New}{Old}$ New, R:Old $\frac{New}{Old}$ New, S:Old $\frac{New}{Old}$ New, W:Add, Z:Discontinued, F:Interchangeable by set, K:Qty Change
 Copyright (C) YANMAR CO., LTD. All Rights Reserved.

Fig.57. OIL GAUGE (OPTIONAL)

Fig. **57** OIL FEED FLANGE (OPTIONAL)



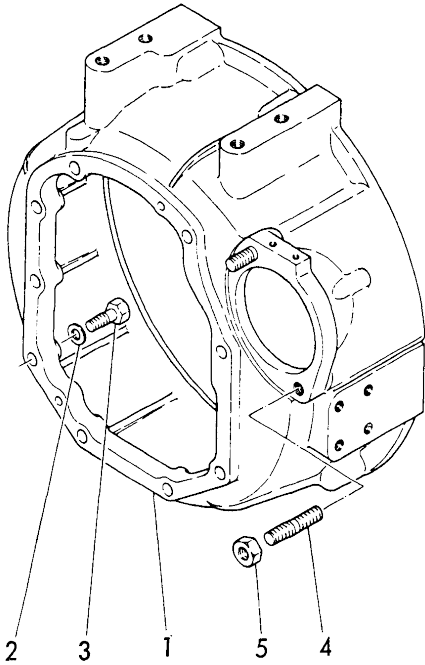
No.	Lev.	Parts No.	Description	Q'ty						I	R
				(A)	(B)	(C)	(D)	(E)	(F)		
1	1	121250-01522	FLANGE	1	1	1	1				
2	1	124160-34843	GASKET	1	1	1	1				
2-1	1	124160-34844	GASKET	1	1	1	1				N
3	1	124160-01750	COVER	1	1	1	1				
3-1	1	124160-01751	COVER, FILLER	1	1	1	1				R
4	1	24321-000350	O-RING, 1AG35.0	1	1	1	1				
5	1	26116-080382	BOLT, M 8X 38 PLATED	2	2	2	2				
5-1	1	26116-080352	BOLT, M8X 35 PLATED	2	2	2	2				R
6	1	22137-080000	WASHER, 8	2	2	2	2				Z
7	1	124160-01521	FLANGE	1	1	1	1				
8	1	124160-01531	GASKET	1	1	1	1				
8-1	1	124160-01532	GASKET	1	1	1	1				N
9	1	124160-01750	COVER	1	1	1	1				
9-1	1	124160-01751	COVER, FILLER	1	1	1	1				R
10	1	24321-000350	O-RING, 1AG35.0	1	1	1	1				
11	1	26216-080202	STUD, M8X 20	4	4	4	4				
11-1	1	26216-080202	STUD, M8X 20	5	5	5	5				K
12	1	26216-080222	STUD, M8X 22	4	4	4	4				
13	1	22137-080000	WASHER, 8	4	4	4	4				
14	1	26716-080002	NUT, M8	4	4	4	4				

N:Old $\frac{New}{Old}$ New, Q:Old $\frac{New}{Old}$ New, R:Old $\frac{New}{Old}$ New, S:Old $\frac{New}{Old}$ New, W:Add, Z:Discontinued, F:Interchangeable by set, K:Qty Change
 Copyright (C) YANMAR CO., LTD. All Rights Reserved.

OCR10-M41701

Fig.58. MOUNTING FLANGE(OPTIONAL)

Fig. **58** MOUNTING FLANGE (OPTIONAL)

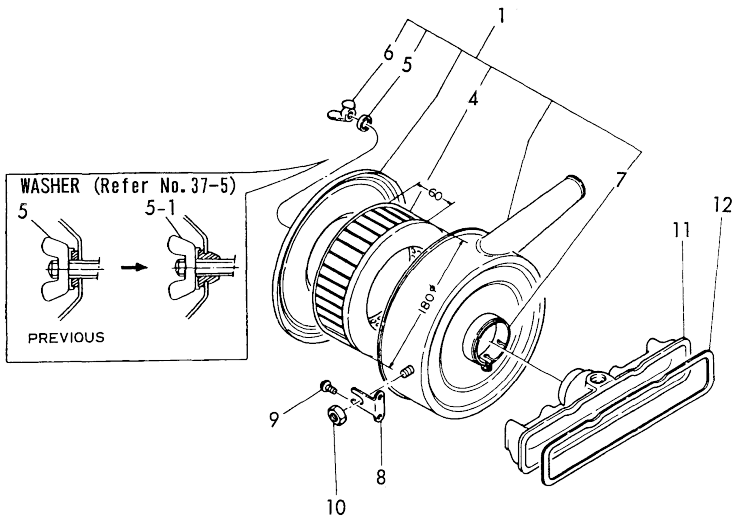


(A)=3T90LE
(B)=3T90LE-G1
(C)=3T90LE-TA
(D)=3T90LE-TB
(E)=
(F)=

No.	Lev.	Parts No.	Description	Q'ty					
				(A)	(B)	(C)	(D)	(E)	(F)
1	1	121480-01600	HOUSING, FLYWHEEL	1	1	1	1		
2	1	22117-100000	WASHER, 10	9	9	9	9		
3	1	26116-100352	BOLT, M10X 35 PLATED	9	9	9	9		
4	1	26216-120252	STUD, M12X 25	2	2	2	2		
5	1	26716-120002	NUT, M12	2	2	2	2		

Fig.59. AIR CLEANER(OPTIONAL)

Fig. **59** AIR CLEANER (OPTIONAL)



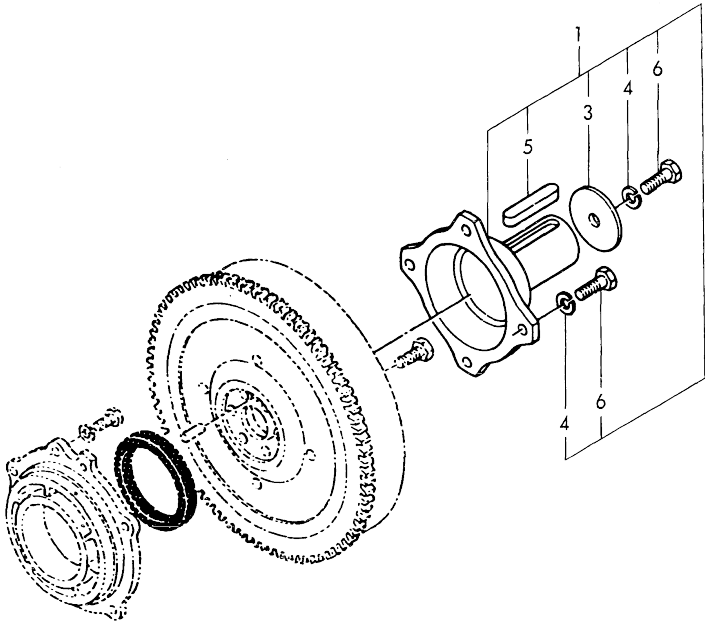
No.	Lev.	Parts No.	Description	Q'ty						I	R
				(A)	(B)	(C)	(D)	(E)	(F)		
1	1	121250-12500	CLEANER, AIR	1	1	1	1				
1-1	1	121250-12501	CLEANER, AIR	1	1	1	1				N
		(A=E-XXXX) (B=E-XXXX) (C=E-XXXX) (D=E-XXXX)									
4	2	121250-12510	ELEMENT	1	1	1	1				
5	2	124450-12570	WASHER	1	1	1	1				
5-1	2	124450-12571	WASHER	1	1	1	1				S
		(A=E-XXXX) (B=E-XXXX) (C=E-XXXX) (D=E-XXXX)									
6	2	101147-12550	NUT	1	1	1	1				
7	2	121250-12580	BAND, AIR CLEANER	1	1	1	1				
8	1	121250-12540	RETAINER	2	2	2	2				
9	1	26557-060102	SCREW, M6X10	4	4	4	4				
10	1	194990-22140	NUT, M8	2	2	2	2				
11	1	121250-12700	MANIFOLD, AIR INTAKE	1	1	1	1				
12	1	121250-12710	GASKET, MANIFOLD	1	1	1	1				

N:Old $\frac{100}{100}$ New, Q:Old $\frac{100}{100}$ New, R:Old $\frac{100}{100}$ New, S:Old $\frac{100}{100}$ New, W:Add, Z:Discontinued, F:Interchangeable by set, K:Q'ty Change
 Copyright (C) YANMAR CO., LTD. All Rights Reserved.

OCR10-M41701

Fig.60. OUTPUT SHAFT(OPTIONAL)

Fig. **60** OUTPUT SHAFT(OPTIONAL)

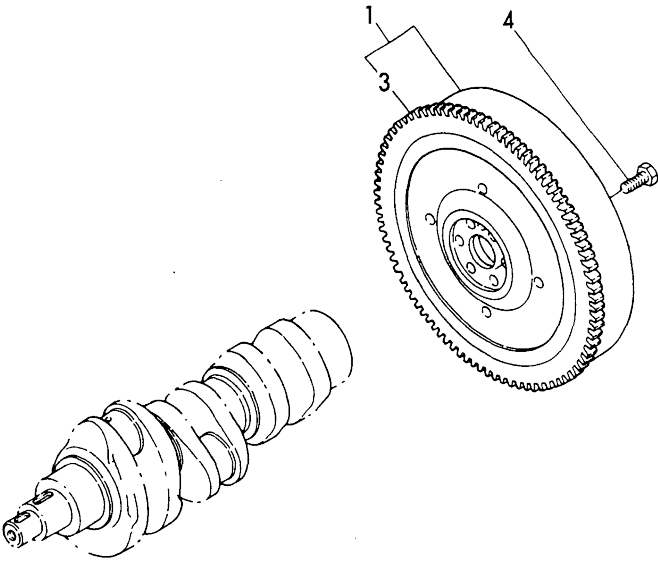


No.	Lev.	Parts No.	Description	Q'ty					
				(A)	(B)	(C)	(D)	(E)	(F)
1	1	721400-21500	SHAFT ASSY, STUB	1	1	1	1		
3	2	124258-21980	WASHER	1	1	1	1		
4	2	22217-120000	WASHER, SPRING 12	5	5	5	5		
5	2	22512-150800	KEY, 15X 80	1	1	1	1		
6	2	26116-120352	BOLT, M12X 35 PLATED	5	5	5	5		

OCR10-M41701

Fig.61. FLYWHEEL FOR(OPTIONAL)

Fig.61 FLYWHEEL (OPTIONAL)



(A)=3T90LE
(B)=3T90LE-G1
(C)=3T90LE-TA

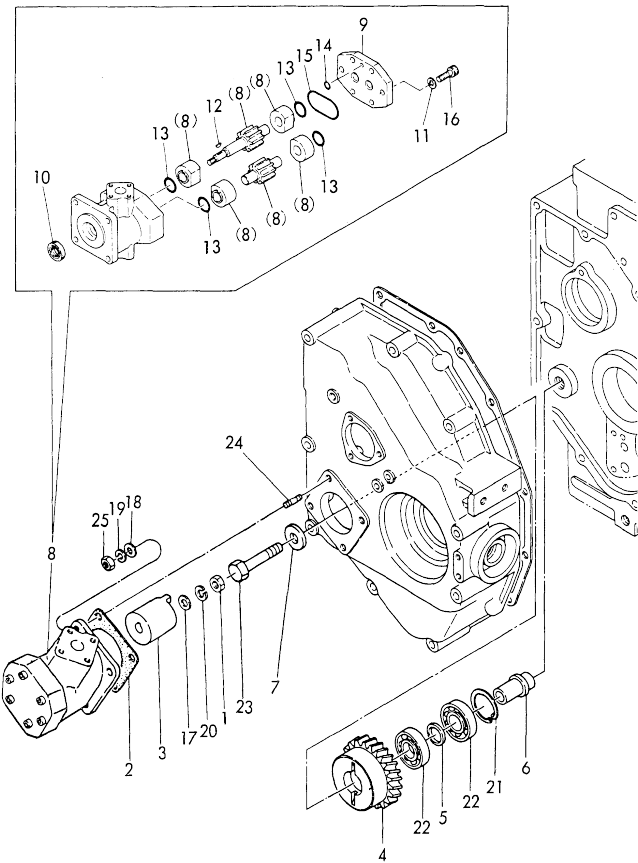
(D)=3T90LE-TB
(E)=
(F)=

No.	Lev.	Parts No.	Description	Q'ty						I	R
				(A)	(B)	(C)	(D)	(E)	(F)		
1	1	121480-21590	FLYWHEEL ASSY	1	1	1	1				
3	2	124550-21600	GEAR, RING	1	1	1	1				
4	1	124220-21130	BOLT	6	6	6	6				

N:Old $\frac{NOC}{10}$ New. Q:Old $\frac{HQ}{100}$ New. R:Old $\frac{RNC}{100}$ New. S:Old $\frac{SO}{100}$ New. W:Add. Z:Discontinued. F:Interchangeable by set. K:Q'ty Change
Copyright (C) YANMAR CO., LTD. All Rights Reserved.

Fig.62. HYDRAULIC OIL PUMP(OPTIONAL)

Fig. **62** HYDRAULIC OIL PUMP (OPTIONAL)

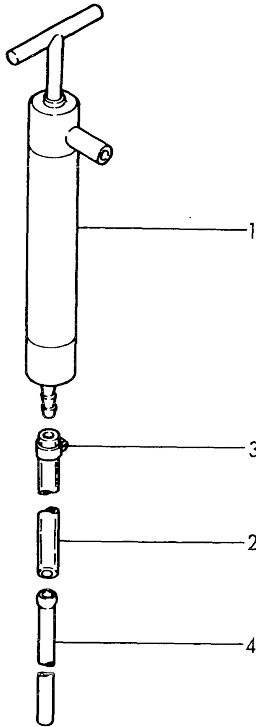


No.	Lev.	Parts No.	Description	Q'ty						I	R
				(A)	(B)	(C)	(D)	(E)	(F)		
1	1	194990-20180	NUT M 8	1	1	1	1				
2	1	124950-26021	GASKET	1	1	1	1				
3	1	121250-26160	JOINT	1	1	1	1				
4	1	121250-26201	GEAR, PUMP	1	1	1	1				
5	1	121250-26210	SPACER	1	1	1	1				
6	1	121250-26400	SHAFT	1	1	1	1				
7	1	124450-26410	WASHER	1	1	1	1				
8	1	194145-41120	PUMP ASSY, HYDRAULIC	1	1	1	1				
9	2	194320-41150	COVER, CASE	1	1	1	1				
10	2	194320-41160	SEAL, OIL	1	1	1	1				
11	2	22217-080000	WASHER, SPRING 8	6	6	6	6				
12	2	22522-030130	KEY, WOODRUFF 3X13	1	1	1	1				
13	2	24315-000200	O-RING, 1BP20.0	4	4	4	4				
14	2	24341-000100	O-RING, 1AS10.0	1	1	1	1				
15	2	24341-000480	O-RING, 1AS48.0	1	1	1	1				
16	2	26450-080252	BOLT, M8X 25	6	6	6	6				
17	1	194100-41670	WASHER 8.5X18X2	1	1	1	1				
18	1	22137-080000	WASHER, 8	4	4	4	4				
19	1	22217-080000	WASHER, SPRING 8	4	4	4	4				
20	1	22217-080000	WASHER, SPRING 8	1	1	1	1				
21	1	22252-000420	RING, 42	1	1	1	1				
22	1	24101-060044	BEARING, BALL 6004	2	2	2	2				
23	1	26116-120652	BOLT, M12X 65 PLATED	1	1	1	1				
24	1	26216-080222	STUD, M8X 22	4	4	4	4				
25	1	26716-080002	NUT, M8	4	4	4	4				

N:Old $\frac{New}{Old}$ New, Q:Old $\frac{New}{Old}$ New, R:Old $\frac{New}{Old}$ New, S:Old $\frac{New}{Old}$ New, W:Add, Z:Discontinued, F:Interchangeable by set, K:Q'ty Change
 Copyright (C) YANMAR CO., LTD. All Rights Reserved.

Fig.63. LUB.OIL EVACUATION PUMP(OPTION

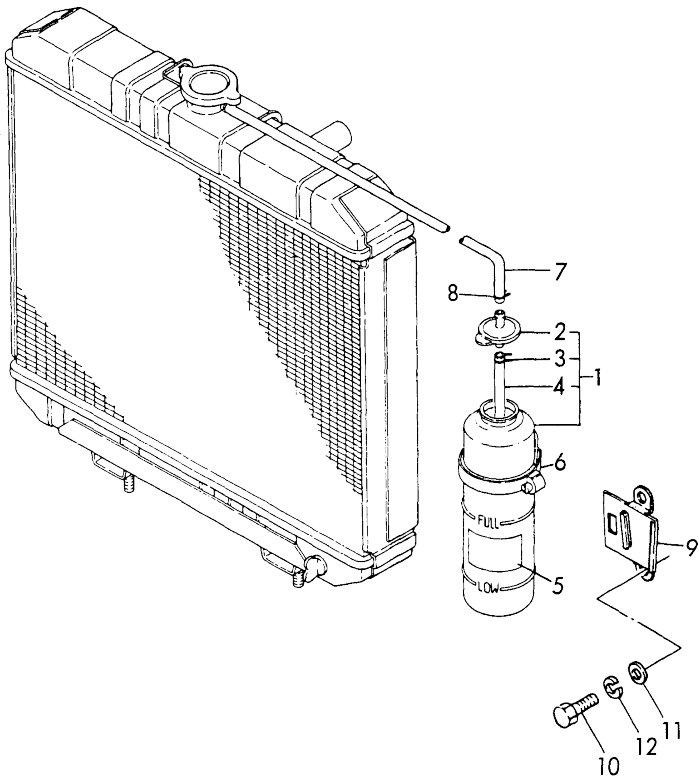
Fig. **63** LUB,OIL EVACUATION PUMP (OPTIONAL)



No.	Lev.	Parts No.	Description	Q'ty						I	R
				(A)	(B)	(C)	(D)	(E)	(F)		
1	1	104264-39700	PUMP ASSY, WASTE	1	1	1	1				
2	1	104264-39710	PIPE	1	1	1	1				
3	1	23010-012000	CLAMP, 12	1	1	1	1				
4	1	23061-081000	PIPE, 8X1000	1	1	1	1				

Fig.64. WATER REPLENISH TANK(OPTIONAL)

Fig. **64** WATER REPLENISH TANK (OPTIONAL)

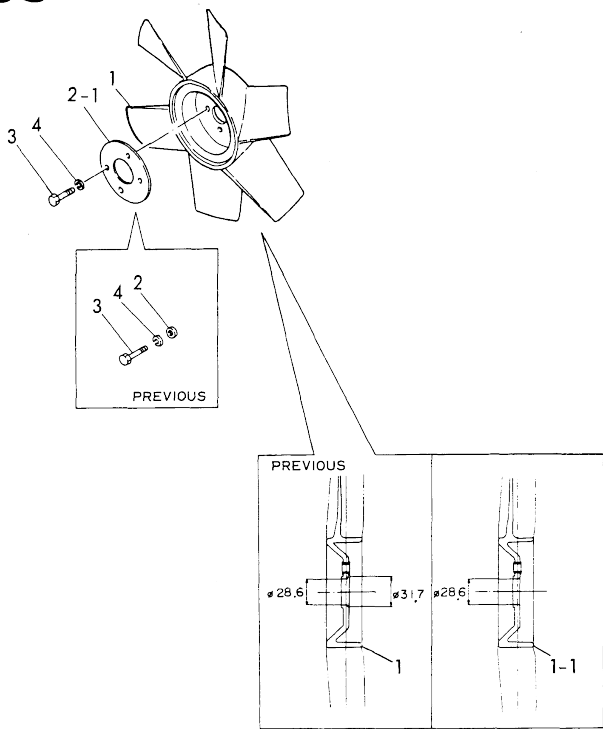


No.	Lev.	Parts No.	Description	Q'ty						I	R
				(A)	(B)	(C)	(D)	(E)	(F)		
1	1	124450-44510	TANK ASSY, SUB	1	1	1	1				
2	2	124450-44530	CAP	1	1	1	1				
3	2	124450-44560	RETAINER	1	1	1	1				
4	2	23060-070230	PIPE 7X 230	1	1	1	1				
4A	2	23061-070230	PIPE, 7X 230	1	1	1	1				
5	1	124764-44810	LABEL, SUB-TANK	1	1	1	1				
6	1	124450-44550	BAND	1	1	1	1				
7	1	121250-44570	PIPE, 7X300	1	1	1	1				
8	1	121250-44590	CLAMP	2	2	2	2				
9	1	121480-44600	BRACKET, TANK	1	1	1	1				
10	1	26116-080142	BOLT M 8X 14 PLATED	2	2	2	2				
11	1	22137-080000	WASHER, 8	2	2	2	2				
12	1	22217-080000	WASHER, SPRING 8	2	2	2	2				

N:Old $\frac{100}{100}$ New, Q:Old $\frac{100}{100}$ New, R:Old $\frac{100}{100}$ New, S:Old $\frac{100}{100}$ New, W:Add, Z:Discontinued, F:Interchangeable by set, K:Q'ty Change
 Copyright (C) YANMAR CO., LTD. All Rights Reserved.

Fig.65. FAN(OPTIONAL)

Fig. **65** RADIATOR FAN for SUNCTION TYPE (OPTIONAL)



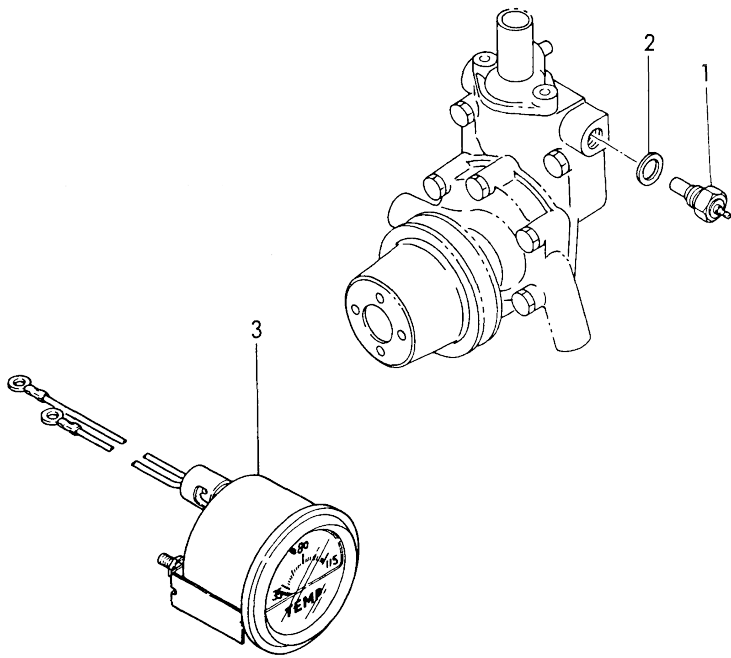
(A)=3T90LE
(B)=3T90LE-G1
(C)=3T90LE-TA
(D)=3T90LE-TB
(E)=
(F)=

No.	Lev.	Parts No.	Description	Q'ty						I	R
				(A)	(B)	(C)	(D)	(E)	(F)		
1	1	121402-44740	FAN, COOLING	1	1	1	1				
1-1	1	121850-44740	FAN, COOLING D=360	1	1	1	1				S
		(A=E/#01130)	(B=E/#01130)	(C=E/#01130)	(D=E/#01130)						
2	1	121402-44750	WASHER	4	4	4	4				
2-1	1	121402-44751	SPACER, FAN	1	1	1	1				S
		(A=E/XXX)	(B=E/XXX)	(C=E/XXX)	(D=E/XXX)						
3	1	26116-060202	BOLT, M6X 20 PLATED	4	4	4	4				
4	1	22217-060000	WASHER, SPRING 6	4	4	4	4				

OCR10-M41701

Fig.66. THERMOMETER SENDER(OPTIONAL)

Fig. **66** THERMOMETER SENDER (OPTIONAL)



(A)=3T90LE
(B)=3T90LE-G1
(C)=3T90LE-TA

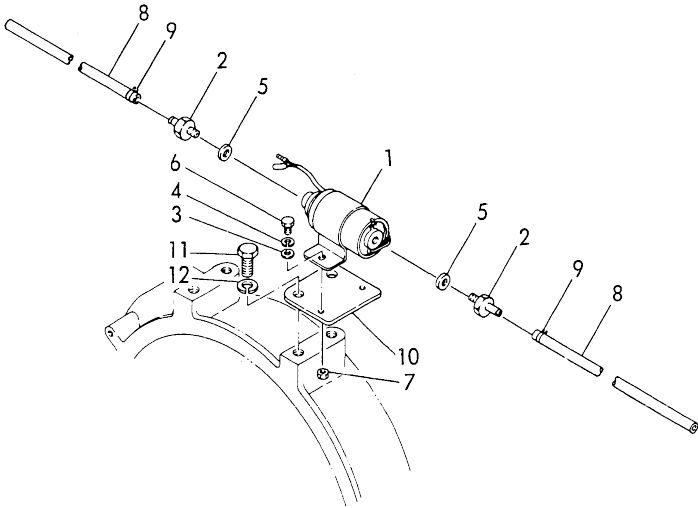
(D)=3T90LE-TB
(E)=
(F)=

No.	Lev.	Parts No.	Description	Q'ty					
				(A)	(B)	(C)	(D)	(E)	(F)
1	1	121470-44900	SENSOR	1	1	1	1		
2	1	124465-44950	GASKET, 16	1	1	1	1		
3	1	124732-77850	THERMOMETER, WATER	1	1	1	1		

N:Old $\frac{N}{10}$ New, Q:Old $\frac{H}{10}$ New, R:Old $\frac{R}{10}$ New, S:Old $\frac{S}{10}$ New, W:Add, Z:Discontinued, F:Interchangeable by set, K:Q'ty Change
Copyright (C) YANMAR CO., LTD. All Rights Reserved.

Fig.67. FUEL FEED PUMP(OPTIONAL)

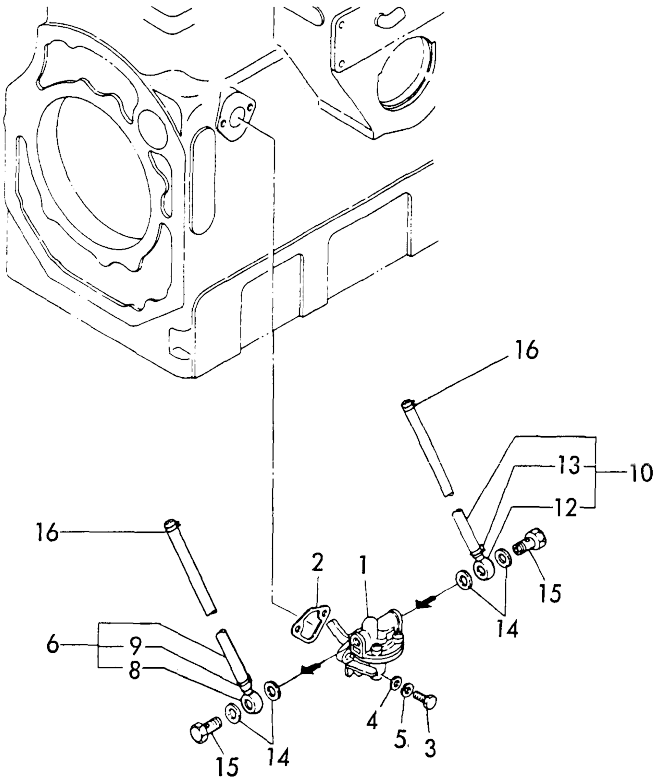
Fig. **67** FUEL FEED PUMP (OPTIONAL)



No.	Lev.	Parts No.	Description	Q'ty						I	R
				(A)	(B)	(C)	(D)	(E)	(F)		
1	1	124790-52200	PUMP ASSY, FUEL FEED	1	1	1	1				
1-1	1	124790-52201	PUMP ASSY, FUEL FEED	1	1	1	1				N
		(A=E)XXX (B=E)XXX (C=E)XXX (D=E)XXX									
2	1	124702-59150	JOINT, PIPE	2	2	2	2				
3	1	22137-060000	WASHER, 6	2	2	2	2				
4	1	22217-060000	WASHER, SPRING 6	2	2	2	2				
5	1	23414-080000	GASKET, 8X1.0	2	2	2	2				
6	1	26116-060122	BOLT, M6X 12 PLATED	2	2	2	2				
6-1	1	26116-060182	BOLT, M6X 18 PLATED	2	2	2	2				R
		(A=E)XXX (B=E)XXX (C=E)XXX (D=E)XXX									
7	1	26716-060002	NUT, M6	2	2	2	2				
8	1	124732-590090	PIPE, FUEL L=800	2	2	2	2				
9	1	124766-590050	CLIP, HOSE 12	4	4	4	4				
10	1	124702-52250	BRACKET, PUMP	1	1	1	1				
11	1	26116-120252	BOLT, M12X 25 PLATED	2	2	2	2				
12	1	22217-120000	WASHER, SPRING 12	2	2	2	2				

Fig.68. FUEL FEED PUMP(OPTIONAL)

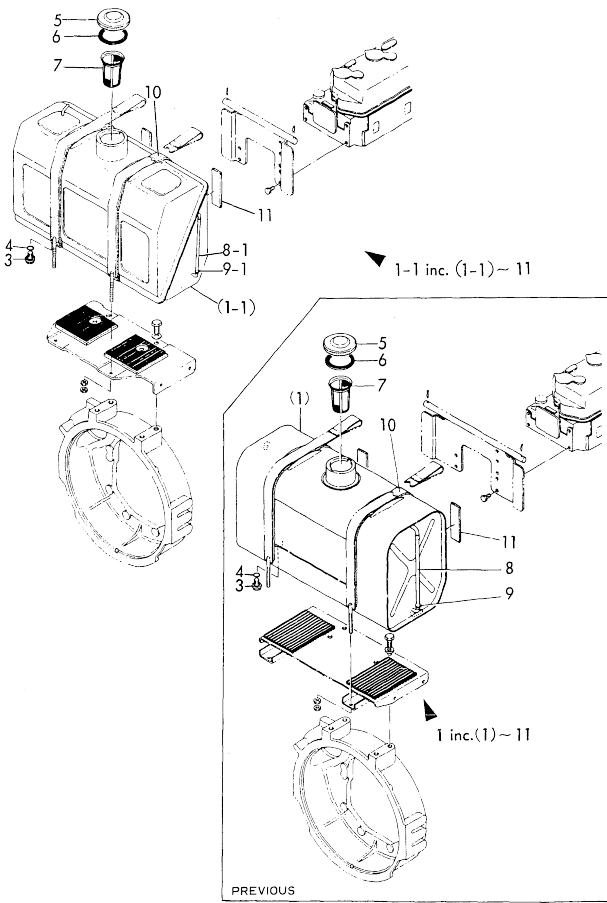
Fig.68 FUEL FEED PUMP (OPTIONAL)



No.	Lev.	Parts No.	Description	Q'ty						I	R
				(A)	(B)	(C)	(D)	(E)	(F)		
1	1	121256-52020	PUMP ASSY, FUEL FEED	1	1	1	1				
2	1	121400-01850	GASKET	1	1	1	1				
2-1	1	121520-01850	GASKET	1	1	1	1				R
		(A=E-XXX) (B=E-XXX) (C=E-XXX) (D=E-XXX)									
3	1	26116-060182	BOLT, M6X 18 PLATED	2	2	2	2				
4	1	22137-060000	WASHER, 6	2	2	2	2				
5	1	22217-060000	WASHER, SPRING 6	2	2	2	2				
6	1	121480-59021	PIPE, FUEL	1	1	1	1				
8	2	104264-59030	JOINT, PIPE 8	1	1	1	1				
9	2	124766-59050	CLIP, HOSE 12	1	1	1	1				
10	1	121480-59030	PIPE ASSY, FUEL	1	1	1	1				
12	2	104264-59030	JOINT, PIPE 8	1	1	1	1				
13	2	124766-59050	CLIP, HOSE 12	1	1	1	1				
14	1	23414-080000	GASKET, 8X1.0	4	4	4	4				
15	1	105582-59150	BOLT, PIPE JOINT	2	2	2	2				
16	1	124766-59050	CLIP, HOSE 12	2	2	2	2				

Fig.69. FUEL TANK(OPTIONAL)

Fig. **69** FUEL TANK (OPTIONAL)

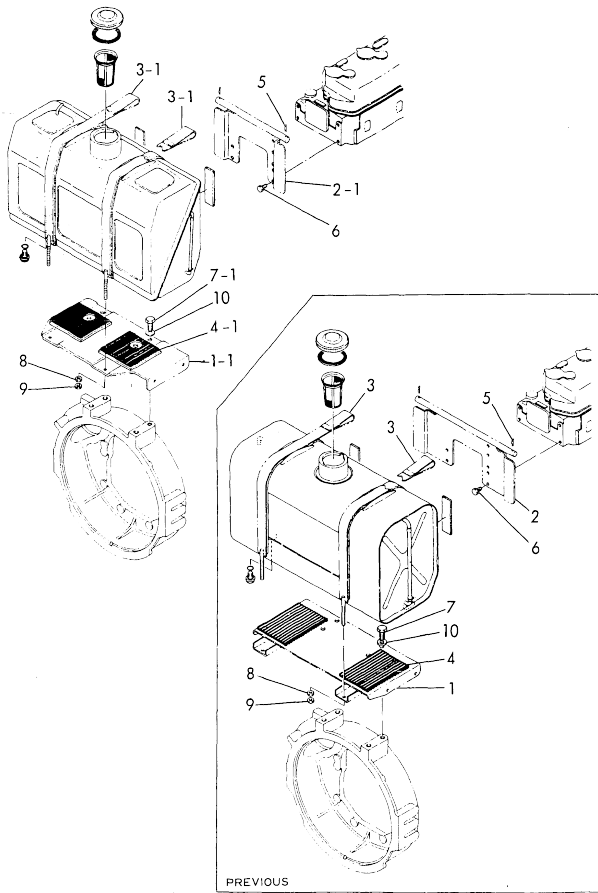


No.	Lev.	Parts No.	Description	Q'ty						I	R
				(A)	(B)	(C)	(D)	(E)	(F)		
1	1	721400-55700	TANK ASSY, FUEL	1	1	1	1				
1-1	1	721400-55701	TANK ASSY, FUEL	1	1	1	1				F
		(A=E/#85862) (B=E/#85862) (C=E/#85862) (D=E/#85862)									
3	2	124060-01640	PLUG, M12	1	1	1	1				
4	2	24311-000140	O-RING, 1AP14.0	1	1	1	1				
5	2	101168-55040	CAP ASSY	1	1	1	1				
6	2	101504-55051	GASKET	1	1	1	1				
7	2	101504-55101	STRAINER, FUEL	1	1	1	1				
8	2	121400-55150	PIPE, GAUGE	1	1	1	1				
8-1	2	23061-050060	PIPE, 5X 60	1	1	1	1				S
		(A=E/#85862) (B=E/#85862) (C=E/#85862) (D=E/#85862)									
9	2	124722-590050	CLIP, HOSE 9	2	2	2	2				
9-1	2	103854-55220	RETAINER	2	2	2	2				S
		(A=E/#85862) (B=E/#85862) (C=E/#85862) (D=E/#85862)									
10	2	124258-55830	FELT, FUEL TANK	2	2	2	2				
11	2	121400-55870	FELT, FUEL TANK	2	2	2	2				

N:Old $\frac{New}{Old}$ New, Q:Old $\frac{New}{Old}$ New, R:Old $\frac{New}{Old}$ New, S:Old $\frac{New}{Old}$ New, W:Add, Z:Discontinued, F:Interchangeable by set, K:Qty Change
 Copyright (C) YANMAR CO., LTD. All Rights Reserved.

Fig.70. FUEL TANK BRACKET(OPTIONAL)

Fig.70 FUEL TANK BRACKET (OPTIONAL)

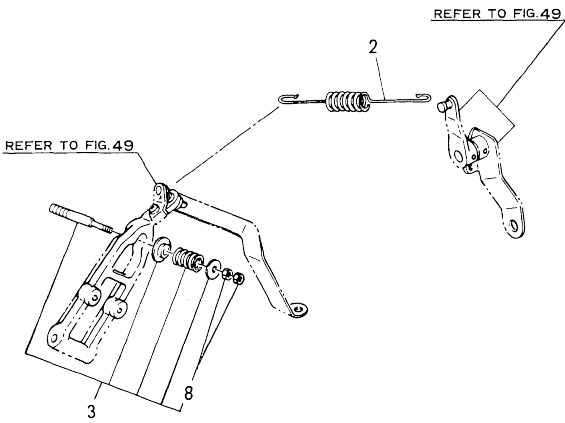
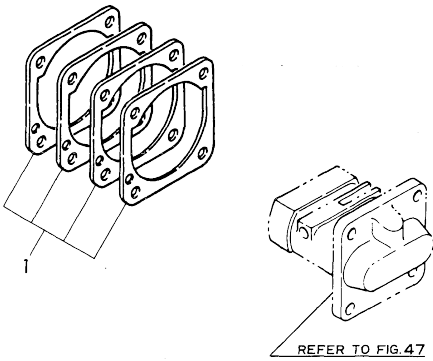


(A)=3T90LE
(B)=3T90LE-G1
(C)=3T90LE-TA
(D)=3T90LE-TB
(E)=
(F)=

No.	Lev.	Parts No.	Description	Q'ty						I	R
				(A)	(B)	(C)	(D)	(E)	(F)		
1	1	121400-55800	BRACKET, FUEL TANK	1	1	1	1				
1-1	1	121400-55801	BRACKET, FUEL TANK	1	1	1	1				S
		(A=E/#85862) (B=E/#85862) (C=E/#85862) (D=E/#85862)									
2	1	121400-55810	BRACKET	1	1	1	1				S
2-1	1	121400-55811	BRACKET	1	1	1	1				S
		(A=E/XXX) (B=E/XXX) (C=E/XXX) (D=E/XXX)									
3	1	121400-55820	BAND, TANK	2	2	2	2				S
3-1	1	121400-55821	BAND, TANK	2	2	2	2				S
		(A=E/#85862) (B=E/#85862) (C=E/#85862) (D=E/#85862)									
4	1	121400-55840	PAD	2	2	2	2				S
4-1	1	121400-55841	PAD	2	2	2	2				S
		(A=E/#85862) (B=E/#85862) (C=E/#85862) (D=E/#85862)									
5	1	22360-160000	PIN, SNAP 16	2	2	2	2				
6	1	26116-080122	BOLT, M8X 12 PLATED	4	4	4	4				
7	1	26116-120252	BOLT, M12X 25 PLATED	4	4	4	4				
7-1	1	26116-120282	BOLT, M12X 28 PLATED	4	4	4	4				R
		(A=E/XXX) (B=E/XXX) (C=E/XXX) (D=E/XXX)									
8	1	26716-080002	NUT, M8	2	2	2	2				
9	1	26756-080002	NUT, LOCK M8	2	2	2	2				
10	1	22117-120000	WASHER, 12	4	4	4	4				

Fig.71. CONVERSION KIT(OPTIONAL)

Fig. **71** CONVERSION KIT (OPTIONAL)

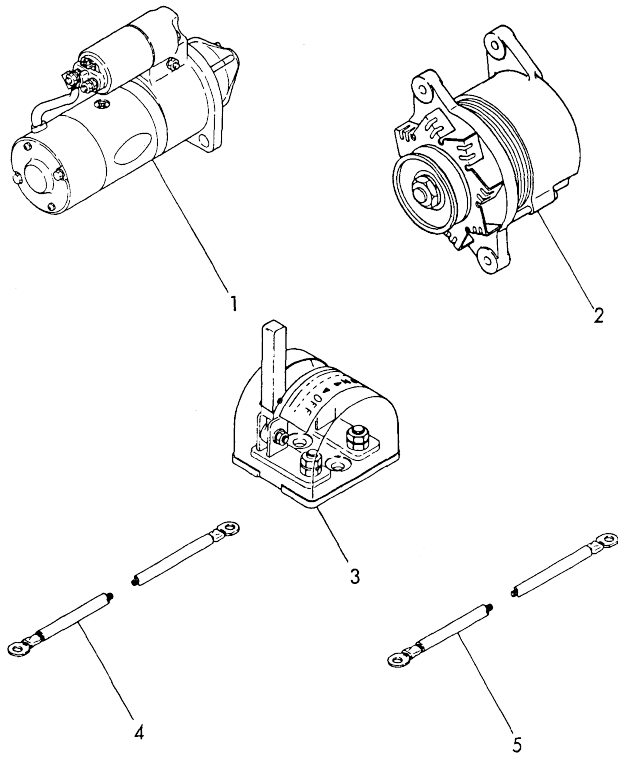


(A)=3T90LE
(B)=3T90LE-G1
(C)=3T90LE-TA
(D)=3T90LE-TB
(E)=
(F)=

No.	Lev.	Parts No.	Description	Q'ty					
				(A)	(B)	(C)	(D)	(E)	(F)
1	1	121250-01951	SHIM SET, ADJUSTING	1	1	1	1		
2	1	121400-66610	SPRING, REGULATOR	1	1	1	1		
3	1	121481-66800	LIMITER ASSY, FUEL	1	1	1	1		
8	2	26756-050002	NUT, LOCK M5	2	2	2	2		

Fig.72. ELECTRIC STARTING DEVICE(OPTIO

Fig. **72** ELECTRIC STARTING DEVICE (OPTIONAL)

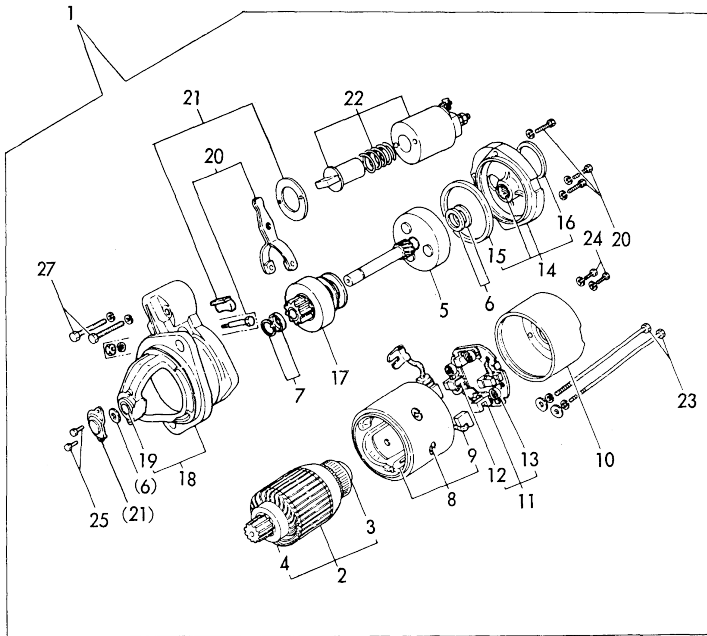


(A)=3T90LE
(B)=3T90LE-G1
(C)=3T90LE-TA
(D)=3T90LE-TB
(E)=
(F)=

No.	Lev.	Parts No.	Description	Q'ty						I	R
				(A)	(B)	(C)	(D)	(E)	(F)		
1	1	121254-77010	STARTER, S13-41	1	1	1	1				
2	1	124080-77200	GENERATOR	1	1	1	1				
3	1	123310-77640	SWITCH, BATTERY	1	1	1	1				
4	1	124080-77930	CABLE, BATTERY	1	1	1	1				
5	1	124080-77940	CABLE, BATTERY	1	1	1	1				

Fig.73. STARTING MOTOR(S13-41)

Fig. **73** STARTING MOTOR (OPTIONAL)

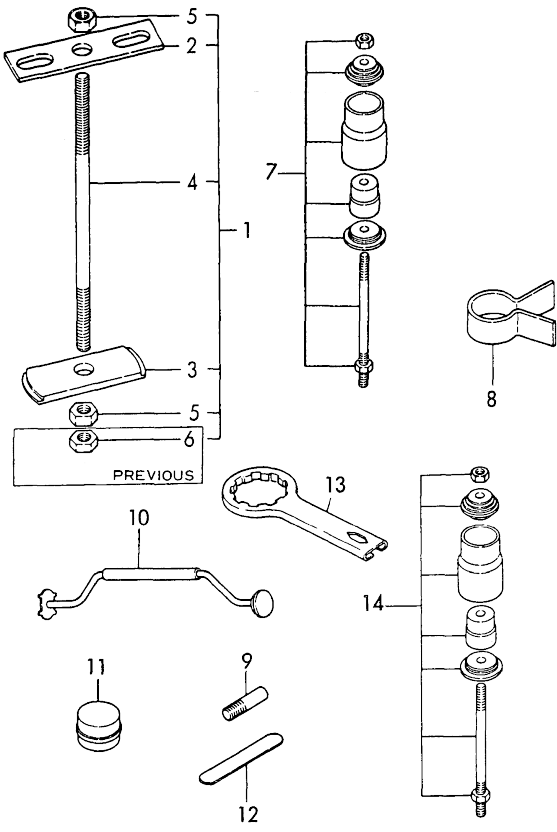


No.	Lev.	Parts No.	Description	Q'ty						I	R
				(A)	(B)	(C)	(D)	(E)	(F)		
1	1	121254-77010	STARTER, S13-41	1	1	1	1				
2	2	X213011001	ARMATURE ASSY	1	1	1	1				
3	3	X21302302	BALL BEARING	1	1	1	1				
4	3	X21303302	BALL BEARING	1	1	1	1				
5	2	X21301110	SHAFT ASSY, GEAR	1	1	1	1				
6	2	X21302115	WASHER SET, THRUST	1	1	1	1				
7	2	X21301119	STOPPER SET, PINION	1	1	1	1				
8	3	X21308220	COIL ASSY, FIELD	1	1	1	1				
9	4	X21308311	BRUSH (+)	2	2	2	2				
10	2	X213043011	COVER ASSY, REAR	1	1	1	1				
11	2	X21307305	HOLDER ASSY, BRUSH	1	1	1	1				
12	3	X21305312	BRUSH (-)	2	2	2	2				
13	3	X21305313	SPRING, BRUSH	4	4	4	4				
14	2	X21304400	BEARING ASSY, CENTER	1	1	1	1				
15	3	X21301402	SEAL, OIL	1	1	1	1				
16	3	X21302402	O-RING	1	1	1	1				
17	2	X213045001	PINION ASSY	1	1	1	1				
18	2	X213076001	CASE ASSY, GEAR	1	1	1	1				
19	3	X21302601	METAL, CASE BEARING	1	1	1	1				
20	2	X21302605	LEVER SET	1	1	1	1				
21	2	X21303610	COVER SET, DUST	1	1	1	1				
22	2	X213017001	SWITCH ASSY, MAGNET.	1	1	1	1				
23	2	X21304820	BOLT, THROUGH	2	2	2	2				
24	2	26557-040152	SCREW M 4X 15	2	2	2	2				
25	2	26116-050122	BOLT, M5X 12 PLATED	2	2	2	2				
26	2	26116-060302	BOLT, M6X 30 PLATED	3	3	3	3				
27	2	26116-060352	BOLT, M6X 35 PLATED	2	2	2	2				

N:Old $\frac{100}{100}$ New, Q:Old $\frac{100}{100}$ New, R:Old $\frac{100}{100}$ New, S:Old $\frac{100}{100}$ New, W:Add, Z:Discontinued, F:Interchangeable by set, K:Q'ty Change
 Copyright (C) YANMAR CO., LTD. All Rights Reserved.

Fig.74. SPECIAL TOOL(OPTIONAL)

Fig.74 SPECIAL TOOL (OPTIONAL)

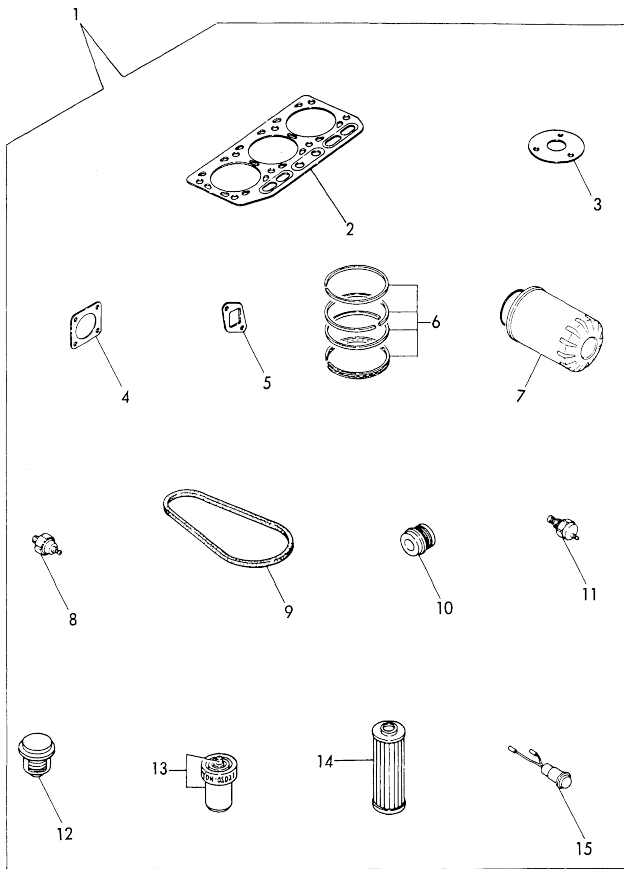


No.	Lev.	Parts No.	Description	Q'ty						I	R
				(A)	(B)	(C)	(D)	(E)	(F)		
1	1	121400-92050	TOOL ASSY, LINER	1	1	1	1				
1-1	1	124765-92000	TOOL ASSY, LINER	1	1	1	1				N
		(A=E-XXX) (B=E-XXX) (C=E-XXX) (D=E-XXX)									
2	2	124060-92010	TOOL, LINER REMOVER	1	1	1	1				
3	2	124765-92020	TOOL, LINER REMOVER	1	1	1	1				
4	2	103338-92030	BOLT, LINER REMOVER	1	1	1	1				
5	2	26716-160002	NUT, M16	2	2	2	2				
6	2	26756-160002	NUT, LOCK M16	1	1	1	1				Z
		(A=E-XXX) (B=E-XXX) (C=E-XXX) (D=E-XXX)									
7	1	124460-92400	TOOL, MAIN METAL	1	1	1	1				
8	1	101404-92140	TOOL, PISTON&RING	1	1	1	1				
9	1	101104-92180	TOOL, NOZZLE REMOVER	1	1	1	1				
10	1	28210-000031	TOOL, VALVE RAPPING	1	1	1	1				
11	1	28210-000070	COMPOUND	1	1	1	1				
12	1	28312-150750	GAUGE, 0.15X75	1	1	1	1				
13	1	124550-35350	WRENCH, FILTER	1	1	1	1				
14	1	121250-92400	TOOL, MAIN METAL	1	1	1	1				

N:Old $\frac{New}{Old}$ New, Q:Old $\frac{New}{Old}$ New, R:Old $\frac{New}{Old}$ New, S:Old $\frac{New}{Old}$ New, W:Add, Z:Discontinued, F:Interchangeable by set, K:Q'ty Change
 Copyright (C) YANMAR CO., LTD. All Rights Reserved.

Fig.75. GASKET SET(OPTIONAL)

Fig.75 REPAIR KIT (OPTIONAL)



No.	Lev.	Parts No.	Description	Q'ty						I	R
				(A)	(B)	(C)	(D)	(E)	(F)		
1	1	721480-92500	REPAIR KIT	1	1	1	1				
2	2	121400-01330	GASKET, HEAD	1	1	1	1				
3	2	103954-13200	GASKET, SILENCER	1	1	1	1				
4	2	124701-11910	GASKET, SILENCER	1	1	1	1				
5	2	121250-13520	GASKET	3	3	3	3				
6	2	724763-22500	RING SET, PISTON	3	3	3	3				
7	2	124550-35110	ELEMENT	1	1	1	1				
8	2	121250-39450	SWITCH, 1.0KG	1	1	1	1				
9	2	124732-42290	V-BELT, AX37	1	1	1	1				
10	2	123482-43350	SEAL, MECHANICAL	1	1	1	1				
11	2	121250-44901	SWITCH, 110	1	1	1	1				
12	2	124790-49800	THERMOSTAT	1	1	1	1				
13	2	124770-53000	VALVE ASSY,INJECTION	3	3	3	3				
14	2	124550-55700	FILTER, FUEL L=90	1	1	1	1				
15	2	124770-91040	LAMP, PILOT 12V 3.4W	3	3	3	3				

Parts No. Index

Parts No.	Fig. No.	Ref. No.
101104-92180	35	14
	74	9
101147-12550	5	4
	59	6
101147-59810	12	18
		18 -1
	48	18
		18 -1
101158-11230	4	34
	40	39
101168-55040	31	5
	69	5
101204-66211	13	49
	49	54
101304-59020	12	4 -1
	48	4 -1
101404-92140	35	13
	74	8
101504-55051	31	6
	69	6
101504-55101	31	7
	69	7
101720-55750	12	30
	48	30
102103-55510	20	3
	54	3
102103-55520	12	27
	20	4
	22	31
	48	27
	54	4
	56	35
103338-11180	4	10
	40	10
103338-11190	4	11
	40	11
103338-11430	4	38
	40	43
103338-14200	7	6
	43	6
103338-92030	35	4
	74	4
103338-92100	35	8
103854-11490	4	41
	22	19
	40	46
	56	20
103854-51251	47	37
103854-53120	11	44
	47	45

Parts No.	Fig. No.	Ref. No.
103854-53180	11	47
	47	48
103854-55220	31	9 -1
	69	9 -1
103854-59191	12	7
	48	7
103854-59201	12	7 A-1
103854-66420	13	20 -1
	49	19
		19 -2
103884-03160	16	26
	50	26
103954-13200	6	4
	22	20
	36	3
	42	2
	56	23
	75	3
104200-03641	40	63
104200-55320	12	32
	48	32
104200-55321	12	32 -1
	48	32 -1
104200-55330	12	35
	48	35
104200-55340	12	33
	48	33
104200-55341	12	33 -1
	48	33 -1
104200-55750	12	34
	48	34
104200-59170	12	6
	22	32
	48	6
	56	36
104200-92130	35	10
104200-92350	22	49
	56	52
104200-92600	22	50 -1
	56	53 -1
104264-39700	26	1
	63	1
104264-39710	26	2
	63	2
104264-59030	68	8
		12
104511-11370	4	43
	40	48
104600-22300	8	23
	44	23

Parts No.	Fig. No.	Ref. No.
104600-22400	8	24
	44	24
104700-11350	4	14
	40	14
104900-11410	4	39
	40	44
104900-11450	4	40
	22	18
	40	45
	56	19
104900-53080	11	41
	47	42
105425-01690	1	39 -2
		39 -3
	37	43 -3
		43 -4
105582-59150	68	15
110250-53150	11	46
	47	47
110250-55610	12	28
	20	5
	48	28
	54	5
111100-11230	4	34 -1
	40	39 -1
113200-53110	11	43
	47	44
113200-53120	11	45
	47	46
120130-11160	40	5 -3
120130-11860	4	5 -3
120220-03660	4	57 -1
	40	62 -1
120480-77400	53	12 -1
121023-77910	20	15 -1
	54	15 -1
121120-12560	41	3
121120-12570	41	4
121120-49261	10	62 -1
	46	59 -1
121120-66100	49	27
121137-59500	48	10 -1
121150-02300	39	15
121150-51460	47	24
121236-34800	9	19
	45	19
121236-59090	12	1 -1
	48	1 B
121236-59500	48	10
121236-77780	54	14

Parts No.	Fig. No.	Ref. No.
121250-01522	23	1
	57	1
121250-01550	2	3
	38	3
121250-01750	37	46
	56	10
121250-01751	37	46 -1
	56	10 -1
121250-01850	1	51
	37	55
121250-01951	33	1
	37	54 -1
	71	1
121250-01990	1	14
	22	3
	37	15
	56	4
		4 -1
121250-02070	39	9 -1
		14 -1
121250-02100	1	32
	3	3
		8
	37	36
	39	19
121250-02101	1	32 -1
	3	8 -1
	39	19 -1
121250-02110	3	3 -1
	39	3
121250-02111	3	3 -2
	39	3 -1
121250-02120	39	7
121250-02121	39	7 -1
121250-02130	39	12
121250-02131	39	12 -1
121250-02220	3	4 -1
	39	4
121250-02450	7	9
	43	9
121250-03610	40	61
121250-03740	40	66
121250-03751	40	67
121250-03770	40	69
121250-03782	40	70
121250-03783	40	70 -1
121250-11550	40	15
121250-11620	40	30 -1
121250-11630	40	31 -1
121250-11640	40	32 -1

Parts No. Index

Parts No.	Fig. No.	Ref. No.
121250-11650	40	33 -1
121250-12500	59	1
121250-12501	59	1 -1
121250-12510	59	4
121250-12540	59	8
121250-12580	41	7
	59	7
121250-12700	59	11
121250-12710	41	15
	56	22
	59	12
121250-13520	42	4
	56	25
	75	5
121250-13530	40	18
121250-14100	7	5
	43	5
121250-21200	8	6
	44	5
121250-21650	44	6
121250-26160	25	3
	62	3
121250-26201	25	4
	62	4
121250-26210	25	5
	62	5
121250-26400	25	6
	62	6
121250-29450	9	46
	45	49
121250-32000	45	1
121250-32201	9	2
	45	2
121250-35300	9	27 -1
	45	27
121250-39200	45	40
121250-39450	36	7
	75	8
121250-44570	27	7
	64	7
121250-44590	27	8
	64	8
121250-44900	10	54
	46	51
121250-44901	10	54 -1
	36	10
	46	51 -1
	75	11
121250-51950	37	54
121250-55600	12	24

Parts No.	Fig. No.	Ref. No.
121250-55600	48	24
121250-55610	48	38
121250-55620	12	37
	48	37
121250-59010	12	2
	48	2
121250-59011	12	2 -1
	48	2 -1
121250-59810	47	52
121250-59820	47	51
121250-59830	47	50
121250-59850	47	55
121250-59860	47	56
121250-61600	13	67
	49	45
121250-66400	49	22
121250-77210	19	22
	53	22
121250-77812	54	14 -1
121250-92400	35	19
	74	14
121252-32200	45	2 -2
121252-39200	45	40 -1
121252-39450	9	46 -1
	45	49 -1
121254-55510	12	26 -1
	48	26 -1
121254-55600	12	24 -1
	48	24 -1
121254-77010	72	1
	73	1
121256-03660	40	56
	56	21
121256-12510	41	2
121256-42050	10	9
	22	24
	46	9
	56	28
121256-42170	10	3
	46	3
121256-42200	10	7
	46	7
121256-42240	10	4
	46	4
121256-52020	68	1
121370-35061	45	24
121370-35080	45	35
121370-77200	17	1
	51	1
121390-32200	9	2 -1

Parts No.	Fig. No.	Ref. No.
121390-32200	45	2 -1
121400-01330	37	65
	56	12
	75	2
121400-01600	1	45
	37	49
121400-01640	1	39 -1
		39 -4
	37	43 -1
		43 -2
		43 -5
121400-01850	37	10
	56	2
	68	2
121400-01860	37	9
121400-01950	2	8
	38	8
121400-03760	40	68
121400-07910	4	67
	40	82
121400-08101	10	70 A
	46	66 A
121400-08111	10	71 A
	46	67 A
121400-08120	10	72
	46	68
121400-11000	40	2
121400-11080	4	3
	40	3
121400-11101	4	8
	40	8
121400-11110	4	9
	40	9
121400-11120	4	7
	40	7
121400-11121	4	7 -1
	40	7 -1
121400-11340	4	13
	40	13
121400-11420	4	36
	40	41
121400-11740	40	58
121400-12210	41	22
121400-12501	41	1
121400-12530	41	7 -1
121400-12540	41	11
121400-12570	41	13
121400-12580	41	9
121400-12590	41	10
121400-12591	41	10 -1

Parts No.	Fig. No.	Ref. No.
121400-12610	41	5
121400-12620	41	6
121400-12700	41	14
121400-13530	42	16
121400-13540	42	17
121400-21590	44	7 -1
121400-21591	44	7
121400-22090	8	17 -2
	44	17 -2
121400-34710	9	11
	45	11
121400-34720	9	12
	45	12
121400-34750	9	14
	45	14
121400-34801	9	15
	45	15
121400-39240	45	48
121400-42100	10	1
	46	1
121400-42101	10	1 -1
	46	1 -1
121400-42102	10	1 -2
	46	1 -2
121400-42121	10	10
	46	10
121400-42251	10	11
	46	11
121400-42252	10	11 -1
	46	11 -1
121400-42261	10	5
	46	5
121400-42262	10	5 -1
	46	5 -1
121400-42263	10	5 -2
	46	5 -2
121400-44501	46	23 A
121400-44510	10	28
	46	27
121400-44610	10	49
	46	46
121400-44621	10	29
	46	28
121400-44630	10	30
	46	29
121400-44640	10	31
	46	30
121400-44650	10	32
	46	31
121400-44660	10	49 -1

Parts No. Index

Parts No.	Fig. No.	Ref. No.
121400-44660	46	46 -1
121400-44740	10	33
	46	32
121400-44900	10	52
	46	49
121400-44910	10	53
	46	50
121400-44952	10	34
	46	33
121400-44961	10	35
	46	34
121400-44962	10	35 -1
	46	34 -1
121400-49011	10	55
	46	52
121400-49021	10	56
	46	53
121400-49030	46	54
121400-49250	10	61 -1
	46	58
121400-55150	31	8
	69	8
121400-55800	32	1
	70	1
121400-55801	32	1 -1
	70	1 -1
121400-55810	32	2
	70	2
121400-55811	32	2 -1
	70	2 -1
121400-55820	32	3
	70	3
121400-55821	32	3 -1
	70	3 -1
121400-55840	32	4
	70	4
121400-55841	32	4 -1
	70	4 -1
121400-55870	31	11
	69	11
121400-66000	13	12 -1
	49	12 -1
121400-66010	13	11
	49	11
121400-66090	13	45
	49	50
121400-66120	13	46
	49	51
121400-66130	13	43
	49	48

Parts No.	Fig. No.	Ref. No.
121400-66140	13	47
	49	52
121400-66170	13	48
	49	53
121400-66190	13	41
	49	46
121400-66460	13	28
	49	28
121400-66480	13	29
		29 -1
121400-66610	13	11 C
	33	2
	49	11 C
	71	2
121400-77010	34	1
	50	1
121400-77200	18	1
	52	1
121400-77201	19	1
	53	1
121400-77250	19	23
	53	23
121400-77330	19	24
	53	24
121400-77701	54	13
	16	27
121400-77920	50	28
	16	27 -1
121400-77921	50	28 -1
	53	34 -1
121400-77930	19	34
	53	34
121400-77940	19	35
	53	35
121400-91000	21	1
	55	1
121400-91001	21	1 -1
	55	1 -1
121400-91010	21	2
	55	2
121400-91011	21	2 -1
	55	2 -1
121400-91030	21	3
	55	3
121400-91031	21	3 -1
	55	3 -1
121400-91140	21	12
	55	12
121400-91250	21	6
	55	6

Parts No.	Fig. No.	Ref. No.
121400-91251	21	6 -1
	55	6 -1
121400-91270	21	7
	55	7
121400-91271	21	7 -1
	55	7 -1
121400-91500	21	13
	55	13
121400-91501	21	13 -1
	55	13 -1
121400-91520	21	9
	55	9
121400-91530	21	10
	55	10
121400-91600	21	11 A
	55	10 A
121400-92050	35	1
	74	1
121400-92690	22	50
	56	53
121402-44740	28	1
	65	1
121402-44750	28	2
	65	2
121402-44751	28	2 -1
	65	2 -1
121420-01300	1	36 -1
	22	7
	37	40 -1
	56	8
121420-01760	40	56 -2
	56	21 -2
121420-13510	6	2
	42	14
121423-32000	45	1 -3
121450-42450	10	18 -1
	46	18 -1
121462-03740	40	67 -1
121465-59950	47	58 -1
121470-44900	29	1
	66	1
121480-01600	58	1
121480-21590	61	1
121480-44600	27	9
	64	9
121480-59021	68	6
121480-59030	68	10
121480-91090	21	20
	55	20
121481-66010	13	11 B

Parts No.	Fig. No.	Ref. No.
121481-66010	49	11 B
121481-66800	13	1 B
	33	3
	49	1 B
	71	3
121520-01850	68	2 -1
121520-01851	37	10 -1
	56	2 -1
121520-01860	37	9 -1
121750-59090	12	16
	48	16
121750-59570	12	20 B
	48	20 A
121750-77800	20	1 -1
	54	1 -1
121850-44740	28	1 -1
	65	1 -1
122117-51560	11	31
	47	31
123310-77640	34	3
	72	3
123325-59100	47	53
123325-59110	47	54
123482-43350	10	6
	36	9
	46	6
	75	10
123682-44210	10	25 -1
	46	24 -1
124060-01050	1	3
	37	3
124060-01640	1	39
	31	3
	37	43
	69	3
124060-21660	44	15
124060-44510	10	26 -1
	46	25 -1
124060-44520	10	27
	22	47
	46	26
	56	51
124060-59380	12	8
124060-59391	12	7 A
	48	7 A
124060-77680	12	17
		23 -1
	20	12
	48	17
		23 -1

Parts No. Index

Parts No.	Fig. No.	Ref. No.
124060-77680	54	12
124060-92010	35	2
	74	2
124066-59100	12	15
		15 -1
		22
	48	15
		15 -1
		22
124080-77200	34	2
	72	2
124080-77330	19	5 -1
	53	5 -1
124080-77340	19	6 -1
	53	6 -1
124080-77350	19	7 -1
	53	7 -1
124080-77360	19	8 -1
	53	8 -1
124080-77380	19	9 -1
	53	9 -1
124080-77390	19	10 -1
	53	10 -1
124080-77400	19	12 -1
124080-77420	19	14 -1
	53	14 -1
124080-77430	19	15 -1
	53	15 -1
124080-77440	19	18 -1
	53	18 -1
124080-77450	19	19 -1
	53	19 -1
124080-77460	19	20 -1
	53	20 -1
124080-77470	19	21 -1
	53	21 -1
124080-77480	19	16 -1
	53	16 -1
124080-77490	19	3 -1
	53	3 -1
124080-77500	19	17 -1
	53	17 -1
124080-77520	19	11 -1
	53	11 -1
124080-77530	19	13 -1
	53	13 -1
124080-77930	34	4
	72	4
124080-77940	34	5
	72	5

Parts No.	Fig. No.	Ref. No.
124085-35111	9	36 -1
	45	36 -1
124085-35300	9	27 -2
	45	27 -1
124085-35350	9	34 -1
	45	33 -1
124160-01521	23	7
	57	7
124160-01531	2	4
	22	12
	23	8
	38	4
	56	13
	57	8
124160-01532	2	4 -1
	22	12 -1
	23	8 -1
	38	4 -1
	56	13 -1
	57	8 -1
124160-01650	1	56
	37	60
124160-01750	4	50 -1
	23	3
		9
	40	57 -1
	57	3
124160-01751	4	50 -2
	23	3 -1
		9 -1
	40	57 -2
	57	3 -1
		9 -1
124160-01862	1	52
	22	10
	37	56
	56	11
124160-01863	1	52 -1
	22	10 -1
	37	56 -1
	56	11 -1
124160-01910	1	11
		41
	37	12
		45
124160-21670	8	7
124160-21700	8	13
	44	10
124160-34831	1	9 -1

Parts No.	Fig. No.	Ref. No.
124160-34831	9	20
	37	8 -1
	45	20
124160-34843	1	15
	22	4
	23	2
	37	16
	56	5
	57	2
124160-34844	1	15 -1
	9	21
	22	4 -1
	23	2 -1
	37	16 -1
	45	21
	56	5 -1
	57	2 -1
124160-34845	1	15 -2
	9	21 -1
	45	21 -1
124160-39140	9	44
	45	47
124160-49480	10	58
	46	55
124220-21130	8	15
	44	12
	61	4
124220-51890	11	35 -1
	47	36 -1
124227-21920	8	14
	44	11
124240-01870	2	20
	38	20
124240-01871	2	20 -1
	38	20 -1
124240-01881	2	10
	22	13
	38	10
	56	14
124240-01882	2	10 -1
	22	13 -1
	38	10 -1
	56	14 -1
124240-01883	2	10 -2
	22	13 -2
	38	10 -2
	56	14 -2
124250-03611	4	55
124250-03621	4	56
124250-03630	4	57

Parts No.	Fig. No.	Ref. No.
124250-03630	40	62
124250-03640	4	58
	40	73 -1
124250-59260	12	4
	48	4
124250-77010	14	1
124250-77011	15	1
124250-77012	16	1
124250-77070	16	3 -1
124250-77110	16	5 -1
124250-77120	16	6 -1
124250-77130	16	7 -1
124250-77140	16	11 -1
124250-77150	16	12 -1
124250-77160	16	8 -1
124250-77170	16	9 -1
124250-77180	16	10 -1
124250-77190	16	13 -1
124250-77210	16	15 -1
124250-77220	16	16 -1
124250-77230	16	17 -1
124250-77240	16	18 -1
124250-77270	16	19 -1
124250-77290	16	20 -1
124250-77310	16	21 -1
124250-77320	16	22 -1
124250-77390	19	25
	53	25
124250-77500	16	2 -1
124250-77510	16	4 -1
124250-77520	16	14 -1
124250-91400	2	22
	38	22
124250-91411	2	23
	22	35
	38	23
	56	39
124250-91412	2	23 -1
	22	35 -1
	38	23 -1
	56	39 -1
124258-21980	24	3
	60	3
124258-55830	31	10
	69	10
124258-91101	21	11
	55	11
124450-01210	1	4
		4 -2
	37	4

Parts No. Index

Parts No.	Fig. No.	Ref. No.
124450-01210	37	4 -2
124450-01211	1	4 -1
	37	4 -1
124450-01220	1	5
124450-01230	1	6
	37	5
124450-01240	1	7
		7 -1
		7 -2
	37	6
		6 -1
		6 -2
124450-01250	1	8
		8 -1
		8 -2
	37	7
		7 -1
		7 -2
124450-01511	2	14
	22	14
	38	14
	56	15
124450-01512	2	14 -1
	22	14 -1
	38	14 -1
	56	15 -1
124450-01800	2	19
	38	19
124450-01980	1	13
	22	2
	37	14
	56	3
124450-02110	3	9
		10
124450-02220	3	4
124450-03600	4	54
124450-11160	4	5
	40	5
124450-11161	4	5 -1
	40	5 -1
124450-11170	4	6
	40	6
124450-11171	4	6 -1
	40	6 -1
124450-11290	4	42
	40	47
124450-11380	4	29 -1
124450-11390	4	30 -1
124450-11671	4	15
	40	16

Parts No.	Fig. No.	Ref. No.
124450-11681	4	16
	22	17
	40	17
	56	18
124450-11800	4	5 -2
	40	5 -2
124450-11810	4	6 -2
	40	6 -2
124450-12510	5	3
124450-12520	5	7
124450-12560	5	4 -1
124450-12570	5	5
	59	5
124450-12571	5	5 -1
	59	5 -1
124450-14120	7	3
	43	3
124450-14400	7	7
	43	7
124450-23100	8	27
	44	27
124450-23200	8	28
	44	28
124450-23300	8	29
	44	29
124450-23301	8	29 -1
	44	29 -1
124450-26410	25	7
	62	7
124450-32020	9	9
	22	22
	45	9
	56	26
124450-35070	9	35
	45	34
124450-35110	9	37
	22	46
	45	37
	56	50
124450-35301	9	27
124450-35350	9	34
	45	33
124450-39240	9	45
124450-44410	10	13
	22	25
	46	13
	56	29
124450-44510	27	1
	64	1
124450-44530	27	2

Parts No.	Fig. No.	Ref. No.
124450-44530	64	2
124450-44550	27	6
	64	6
124450-44560	27	3
	64	3
124450-44590	10	25
	46	24
124450-44610	4	68
	40	83
	41	16
124450-59860	11	52
124450-61200	13	64
	49	42
124450-61220	13	65
	49	43
124450-66411	13	24
	49	23
124450-66420	13	25
	49	24
124450-66430	13	26
	49	25
124450-66510	13	30
	49	29
124450-66550	13	31
	49	30
124450-77760	20	6
	54	6
124450-77770	20	7
	54	7
124450-77910	20	15
	54	15
124450-77940	20	1
	54	1
124450-77980	20	16
	54	16
124460-02150	1	29
	3	5
	22	15
	37	33
	39	16
	56	16
124460-03363	56	17 -1
124460-03650	4	59
	40	64
124460-03662	4	60
	22	16
	40	65
	56	17
124460-03663	4	60 -1
	22	16 -1

Parts No.	Fig. No.	Ref. No.
124460-03663	40	65 -1
124460-11270	4	12
	40	12
124460-11360	4	49
	40	55
124460-21651	8	8
124460-59050	12	3
	48	3
124460-59060	12	5
	48	5
124460-66440	13	27
	49	26
124460-66611	13	7
	49	7
124460-77660	20	10
	54	10
124460-77820	20	20
	54	20
124460-92400	35	7
	74	7
124465-01750	1	42
	22	9
124465-01751	1	42 -1
	22	9 -1
124465-32000	9	1
124465-39200	9	38
124465-44950	10	16 -1
		60 -1
	22	43 -1
	29	2
	46	16 -1
		57 -1
	56	47 -1
	66	2
124465-59800	11	50
124465-59810	11	49
124465-66400	13	23
124550-01300	1	35
		36
	22	6
		6 -1
	37	39
		40
	56	7
		7 -1
124550-01900	1	10
	37	11
124550-01901	1	10 -1
	37	11 -1
124550-21530	8	12

Parts No. Index

Parts No.	Fig. No.	Ref. No.
124550-21600	8	11
	44	9
	61	3
124550-35110	9	36
	36	6
	45	36
	75	7
124550-35350	35	18
	74	13
124550-44690	10	26
	46	25
124550-51011	11	2
124550-51301	11	6
	47	6
124550-51320	11	19
	47	19
124550-51341	11	20
	47	20
124550-51350	11	21
	22	28
	47	21
	56	32
124550-51370	11	22
	22	29
	47	22
	56	33
124550-51950	1	50
124550-51951	1	50 -1
124550-55510	12	26
	48	26
124550-55700	12	29
	36	13
	48	29
	75	14
124550-59030	12	13
	13	-1
	21	
	48	13
	13	-1
	21	
124550-59090	12	14
	48	14
	14	-1
124550-59820	9	47
	45	50
124550-66370	13	21
	49	20
124550-66420	13	20
	49	19 -1
124550-77030	16	25

Parts No.	Fig. No.	Ref. No.
124550-77030	50	27
124560-51100	11	3
	47	3
124610-34845	22	4 -2
124700-11090	40	4
124701-02110	3	10 -1
124701-11000	4	2
124701-11910	6	5
	22	21
	36	4
	42	3
	56	24
	75	4
124701-11911	6	5 -1
	22	21 -1
	42	3 -1
	56	24 -1
124701-21591	8	9
124701-21592	8	9 -1
124701-44501	10	24 A
124701-44971	10	36
124701-44980	10	37
124701-49030	10	57
124701-49250	10	61
124701-55610	12	38
124701-59500	12	10 -1
124701-59510	12	20 A
	48	20
124701-66620	13	11 A
	49	11 A
124701-77810	20	14 -2
124701-91140	21	12 -1
124702-52250	30	10
	67	10
124702-59150	30	2
	67	2
124710-77810	20	14 -1
124722-11730	4	50
	40	57
124722-11740	4	51
124722-59050	12	23
	31	9
	48	23
	69	9
124732-01970	1	12
	37	13
124732-13510	6	1
	42	1
124732-13550	6	6
	42	8

Parts No.	Fig. No.	Ref. No.
124732-35090	9	24
124732-42290	10	12
	36	8
	46	12
	75	9
124732-49260	10	62
	46	59
124732-49530	10	63
	46	60
124732-49531	10	63 -1
	46	60 -1
124732-59090	12	1
	30	8
	48	1 A
	67	8
124732-77670	20	11
	54	11
124732-77850	29	3
	66	3
124736-07900	4	66
	40	81
124736-49540	10	64
	22	26
	46	61
	56	30
124736-77700	20	13
124737-59500	12	10
124756-59850	11	51
124756-67510	13	50
	49	55
124763-01330	1	61
	22	11
124763-12500	5	1
124763-12501	5	1 -1
124763-12510	5	3 -1
124764-44810	27	5
	64	5
124765-92000	35	1 -1
	74	1 -1
124765-92020	35	3
	74	3
124766-59050	12	3 -1
	5	-1
	30	9
	48	3 -1
	67	5 -1
	67	9
	68	9
	13	
	16	

Parts No.	Fig. No.	Ref. No.
124768-66800	13	1 A
	49	1 A
124770-11090	4	4
	40	4 -1
124770-34730	9	13
	22	23
	45	13
	56	27
124770-53000	11	38
	36	12
	47	39
	75	13
124770-91040	21	4
	36	14
	55	4
	75	15
124770-91260	21	8
	55	8
124770-92690	35	12
124772-01400	1	9
	37	8
124772-11120	4	7 -2
	40	7 -2
124772-11250	4	26
	40	27
124790-32001	9	1 -3
124790-32010	9	1 -2
124790-49800	10	65
	36	11
	46	62
	75	12
124790-52200	30	1
	67	1
124790-52201	30	1 -1
	67	1 -1
124936-59570	12	20 A-1
	48	20 -1
124950-26021	25	2
	62	2
124950-51910	47	37 -1
125763-01330	36	2
127610-92750	22	56
	56	59
	5	12
129136-12600	40	6 -3
129150-11170	4	6 -3
129150-11810	10	64 -1
129350-49540	22	26 -1
	46	61 -1
	56	30 -1

Parts No. Index

Parts No.	Fig. No.	Ref. No.
129350-49541	10	64 -2
	22	26 -2
	46	61 -2
	56	30 -2
135210-61090	13	10
	49	10
171001-44501	10	24 B
171001-93100	22	48
171010-08100	10	70 B
	46	66 B
171010-08110	10	71 B
	46	67 B
171010-13211	6	6 -1
	42	8 -1
171010-13510	6	1 -1
	42	1 -1
171010-77210	20	14
171011-44501	46	23 B
171014-91101	21	11 -1
	55	11 -1
171051-01921	1	11 A
172100-53200	11	48
	22	30
	47	49
	56	34
172400-02410	7	8 -1
	43	8 -1
173400-11900	4	44
	40	49
174100-54120	11	14
	47	14
174307-51170	11	9
	47	9
174307-51180	11	10
	47	10
174307-51181	11	10 -1
	47	10 -1
174307-51190	11	11
	47	11
174307-51250	11	36
174307-51270	11	18
	22	27
	47	18
	56	31
174307-51450	11	23
	47	23
174307-51460	11	24
		24 -1
174307-51510	11	29
	47	29

Parts No.	Fig. No.	Ref. No.
174307-51550	11	30
	47	30
174307-51560	11	32
	47	32
174307-51700	11	33
	47	33
194100-41670	25	17
	62	17
194145-41120	25	8
	62	8
194145-56901	21	12 B-2
	55	12 B
194320-41150	25	9
	62	9
194320-41160	25	10
	62	10
194440-56900	21	12 A-2
194990-20180	25	1
	62	1
194990-22140	59	10
22117-050000	13	51
	19	32
	40	71
	49	56
	53	32
22117-060000	1	16 -1
		16 -2
	13	52
	21	14
	37	17 -1
		17 -2
	40	72
		80
	49	57
	55	14
22117-080000	2	11
		12 -1
	12	39
	20	8
	21	15
	38	11
	48	39
	54	8
	55	15
22117-100000	1	49 -1
	13	53
	21	16
	37	53 -1
	49	58
	55	16

Parts No.	Fig. No.	Ref. No.
22117-100000	58	2
22117-120000	32	10
	70	10
22137-060000	1	16
	30	3
	37	17
	41	17
	67	3
	68	4
22137-080000	1	18
		18 -1
		43
	2	12
	4	45
	5	8
	9	22
	10	14
		38
	13	54
	19	26
	23	6
		13
	25	18
	27	11
	37	20
		47
	38	12
	40	50
		50 -1
		50 -2
	45	22
	46	14
		35
	49	59
	53	26
	57	6
		13
	62	18
	64	11
22137-100000	1	49
	6	14
	10	39
	37	53
	42	20
	46	36
22157-080000	10	40
	46	37
22217-060000	10	41
	28	4
	30	4

Parts No.	Fig. No.	Ref. No.
22217-060000	37	18
	45	38
	46	38
	65	4
	67	4
	68	5
22217-080000	1	17
		17 -1
	2	13
	4	46
	5	9
	6	7
	9	8
		16
	10	15
		15 -1
		42
		42 -1
	12	40
	20	9 -1
		9 -2
	25	11
		19
		20
	27	12
	37	19
		19 -1
		19 -2
	38	13
	40	51
		51 -1
		51 -2
	42	9
	45	8
		16
	46	15
		15 -1
		39
		39 -1
	48	40
	54	9 -1
		9 -2
	62	11
		19
		20
	64	12
22217-100000	1	31
		60
	3	7
	6	8

Parts No. Index

Parts No.	Fig. No.	Ref. No.
22217-100000	6	8 -1
	37	35
		64
	39	18
	42	10
		10 -1
22217-120000	10	73
	24	4
	30	12
	44	14
	46	69
	60	4
	67	12
22242-000100	13	55
	49	60
22252-000100	9	32
22252-000420	25	21
	62	21
22272-000060	40	80 -1
22272-000070	13	56
	49	61
22312-030250	40	73
22312-040100	37	21
22312-060140	39	8
		13
22312-080160	1	19
	37	22
22312-080200	1	20
	37	23
22322-030140	4	61
22322-030160	13	17
	49	16
22322-030180	4	62
	13	17 -1
		18
	49	16 -1
		16 -2
	17	
22322-030220	9	3
	45	3
22351-040008	9	4
	45	4
22351-040012	9	5
	45	5
22351-060012	4	18 -1
	40	19 -1
22351-060014	4	18
	40	19
22360-060000	13	32
	49	31

Parts No.	Fig. No.	Ref. No.
22360-160000	32	5
	70	5
22411-200200	13	66
	49	44
22417-120100	13	57
	49	62
22417-200100	13	33 -1
		66 -2
	49	32 -1
		44 -2
22417-200120	13	58
	49	63
22417-200200	13	33
		66 -1
	14	25
	16	20
	49	32
		44 -1
22451-060000	13	22 -1
	49	21 -1
22451-100000	13	22
	49	21
22512-070180	7	4
	43	4
22512-070240	8	3
	44	3
22512-070242	8	3 -1
22512-070280	8	4
	44	4
22512-070282	8	4 -1
22512-100360	8	5
22512-150800	24	5
	60	5
22522-030100	9	6
	45	6
22522-030130	25	12
	62	12
22624-230030	11	35
	47	36
22625-140040	13	44
	49	49
23000-019000	10	67
	46	63
23000-060000	41	18
23010-012000	26	3
	63	3
23010-038000	10	59
	46	56
23060-070230	27	4
	64	4

Parts No.	Fig. No.	Ref. No.
23061-050060	31	8 -1
	69	8 -1
23061-070230	27	4 A
	64	4 A
23061-081000	26	4
	63	4
23065-090500	1	57 -1
	2	9 -1
	37	61 -1
	38	9 -1
23065-090560	1	57
	2	9
	37	61
	38	9
23414-060000	2	24
	22	45
	38	24
	56	49
23414-080000	2	7
	9	48
	12	19
	20	9
	22	40
	30	5
	38	7
	45	51
	48	19
	54	9
	56	44
	67	5
	68	14
23414-080012	12	19 -1
	22	41
	48	19 -1
	56	45
23414-100000	9	49
	20	17
	22	42
	45	52
	54	17
	56	46
23414-160000	10	16
	60	
	22	43
	46	16
		57
	56	47
23414-250031	10	68 -1
	22	44 -1
	46	64 -1

Parts No.	Fig. No.	Ref. No.
23414-250031	56	48 -1
23414-270035	10	68
	22	44
	46	64
	56	48
23418-060000	12	31
	48	31
23446-040000	6	4 -1
	42	2 -1
23871-010000	41	19 -1
23871-020000	4	19 -1
	10	8 -1
	40	20 -1
	46	8 -1
23871-040000	4	20 -1
	10	17 -1
	40	21 -1
	46	17 -1
23873-020000	4	19
	10	8
	40	20
	46	8
23873-040000	4	20
	10	17
	40	21
	46	17
23873-100000	41	19
23883-100002	1	21
	37	24
23883-160002	10	18
	46	18
23887-100002	1	21 -1
	37	24 -1
24101-060044	25	22
	62	22
24101-062064	7	8
	43	8
24107-060054	8	16
	44	16
24190-060001	4	28
	40	29
24190-060002	4	28 -1
	40	29 -1
24190-100001	9	33
	13	9
	45	32
	49	9
24311-000070	4	63
	13	19
	22	36

Parts No. Index

Parts No.	Fig. No.	Ref. No.
24311-000070	40	74
	49	18
	56	40
24311-000100	9	17
	22	37
	45	17
	56	41
24311-000140	1	40
	4	47
	22	38
		38 -1
	31	4
	37	44
	40	53
	56	42
		42 -1
	69	4
24311-000180	1	40 -1
		40 -4
	37	44 -1
		44 -2
		44 -5
	56	9 -2
24311-000320	4	48
	22	39
	40	54
		56 -3
	56	43
24311-240100	12	36
	48	36
24315-000200	25	13
	62	13
24321-000350	23	4
		10
	40	56 -1
	56	21 -1
	57	4
		10
24341-000100	25	14
	62	14
24341-000480	25	15
	62	15
26013-060222	9	10 -1
	45	10 -1
26013-080222	37	59 -1
26013-080252	46	42 -1
26013-100252	37	34 -1
	39	17 -1
26014-060182	10	43 -1
	46	40 -1

Parts No.	Fig. No.	Ref. No.
26014-080302	37	48 -1
	53	36 B
26014-080352	53	37 A
26015-060182	37	25 -1
26104-060182	10	23 -2
26104-080182	38	21 -2
26104-080352	19	28 -1
26106-060102	4	64 -1
	40	75 -1
	47	57 -1
26106-060122	1	53 -1
	37	57 -1
26106-060142	21	17 -1
	37	58 -1
	41	20 -1
	45	39 -1
	55	17 -1
26106-060162	2	25 -1
	38	25 -1
26106-060322	2	26 -1
	16	23 -1
	38	26 -1
26106-080102	16	28 -1
	21	18 -1
	40	22 -1
	50	29 -1
	55	18 -1
26106-080122	4	21 -1
		69 -2
		13
		60 -1
		20
		18 -1
		40
		84 -2
		65 -1
26106-080142	1	54 -1
	2	5 -2
		6 -2
	4	22 -1
	5	10 -1
	10	44 -1
	38	5 -2
		6 -2
	40	23 -1
	46	47
26106-080162	10	50
	46	41 -1
26106-080182	19	27 -1
	53	27 -1
26106-080222	1	22 -2
		55 -1
	9	23 -1

Parts No.	Fig. No.	Ref. No.
26106-080222	37	26 -2
	45	23 -1
26106-080252	1	44 -1
	10	51
26106-080302	53	36 A
		37 B
26106-080402	10	19 -1
	46	19 -1
26106-080452	10	69 -1
	46	65 -1
26106-080502	2	15 -1
	10	20 -1
	38	15 -1
	46	20 -1
26106-080602	2	16 -1
	12	41 -1
	38	16 -1
	48	41 -1
26106-080822	10	21 -1
		22 -1
	46	21 -1
26106-080872	46	22 -1
26106-081002	2	17 -1
		18 -2
	38	17 -1
		18 -2
26106-100182	21	19 -1
	55	19 -1
26106-100252	1	30 -1
	3	6 -1
26112-100501	39	9
		14
26116-040088	13	61 -1
	49	64 -1
26116-050088	40	76 -1
26116-050102	19	33
	53	33
26116-050122	73	25
26116-060102	4	64
	11	53
	40	75
	47	57
26116-060122	10	23 -1
	30	6
	41	20
	67	6
26116-060142	1	53
	37	57
	45	39
26116-060162	1	54

Parts No.	Fig. No.	Ref. No.
26116-060162	2	25
	21	17
	37	58
	38	25
	47	58
	55	17
26116-060182	10	23
		43
	30	6 -1
	37	25
	46	40
	67	6 -1
	68	3
26116-060202	28	3
	65	3
26116-060222	9	10
	45	10
26116-060302	73	26
26116-060322	2	26
	38	26
26116-060352	73	27
26116-080102	16	28
	50	29
26116-080122	2	5
	4	69 -1
	13	60
	21	18
	32	6
	38	5
	40	84 -1
	49	65
	54	18
	55	18
	70	6
26116-080142	2	5 -1
		6 -1
	4	21
	5	10
	20	18
	27	10
	38	5 -1
		6 -1
	40	22
	64	10
26116-080162	1	22
	2	6
	4	22
	10	44
	20	19
	37	26

Parts No. Index

Parts No.	Fig. No.	Ref. No.	Parts No.	Fig. No.	Ref. No.	Parts No.	Fig. No.	Ref. No.	Parts No.	Fig. No.	Ref. No.
26116-080162	38	6	26116-081002	38	17	26216-080602	4	23	26557-060082	49	33
	40	23			18	26216-080752	4	17		54	21
	46	41	26116-081052	2	18	26216-080822	4	17 -1	26557-060102	59	9
	54	19		38	18	26216-120252	1	46 -1	26587-080122	7	10
26116-080182	2	21 -1	26116-100202	21	19		37	50 -1		43	10
	4	69		55	19		58	4	26637-060002	41	21
	19	27	26116-100252	1	30	26226-080482	10	69	26657-060002	13	35
	38	21 -1		3	6		46	65		49	34
	40	84		37	34	26226-100222	1	58	26657-080002	4	25
	53	27		39	17		37	62	26666-080002	13	36 -1
26116-080222	1	55	26116-100352	1	48	26226-100252	1	58 -1		49	35 -1
	2	21		37	52		37	62 -1	26667-080002	13	36
	37	59		58	3	26226-120252	1	46		49	35
	38	21	26116-120252	21	21		37	50	26706-100002	1	59 -1
	40	52		30	11	26366-060002	40	78 -2		10	47 -1
26116-080252	1	22 -1		32	7		41	21 -1		37	63 -1
	9	23		55	21	26366-080002	1	24 -1		46	44 -1
	10	45		67	11		4	24 -1	26716-050002	19	31
		45 -1		70	7			35 -1		53	31
	37	26 -1	26116-120282	32	7 -1		5	11 -1	26716-060002	30	7
	45	23		70	7 -1		10	46 -1		40	78
	46	42	26116-120302	10	66		19	29 -1			78 -1
26116-080302	1	44		46	70			30 -1		67	7
	19	28	26116-120352	24	6		37	28 -1	26716-080002	1	24
	37	48		60	6		40	25 -2		4	24
	53	28	26116-120652	25	23			40 -1			25 -1
26116-080352	23	5 -1		62	23		46	43 -1		70	70
	57	5 -1	26117-040088	13	59			48		5	11
26116-080382	23	5		49	64		53	29 -1		6	10
	57	5	26117-050088	40	76			30 B		9	7
26116-080452	6	12	26117-080149	9	18	26450-080252	25	16		10	46
	10	19		45	18		62	16		19	29
	42	18	26156-120302	44	13	26557-040082	14	35		23	14
	46	19	26206-100352	1	48 -1		15	25		25	25
26116-080502	2	15		37	52 -1		50	12		32	8
	10	20	26216-080202	23	11	26557-040122	16	24		37	28
	38	15			11 -1			24 -1		40	25
	46	20		57	11		17	23			25 -1
26116-080602	2	16			11 -1		51	23			85
	38	16	26216-080222	1	23	26557-040152	73	24		42	12
26116-080652	12	41		23	12	26557-050102	17	29		45	7
	48	41		25	24		51	29		46	43
26116-080852	10	21		37	27	26557-050162	17	19		53	29
	46	21		42	11 -1		40	77		57	14
26116-080902	10	22		57	12		51	19		62	25
	46	22		62	24	26557-050362	17	15		70	8
26116-080952	6	13	26216-080252	6	9		51	15	26716-100002	1	59
	42	19		42	11	26557-060082	11	54		10	47
26116-081002	2	17			11 -2		13	34		37	63
		18 -1	26216-080502	40	24		20	21		46	44

Parts No. Index

Parts No.	Fig. No.	Ref. No.	Parts No.	Fig. No.	Ref. No.	Parts No.	Fig. No.	Ref. No.	Parts No.	Fig. No.	Ref. No.
26716-120002	1	47	28110-100120	56	54 -1	721250-02500	39	1	724465-02500	3	1
	35	11	28110-100130	22	51	721250-02610	39	5	724465-14580	7	1
	37	51		56	54	721250-02611	39	5 -1	724550-51520	11	12
	58	5	28110-120140	22	52	721250-02620	39	10		47	12
26716-160002	35	5		56	55	721250-02621	39	10 -1	724701-01540	1	37
	74	5	28110-140170	22	52 -1	721250-11650	40	30	724701-01541	1	37 -1
26736-100002	6	11		56	55 -1	721250-11660	40	32	724701-01560	1	1 -1
		11 -1	28110-170190	22	53	721250-11670	40	33	724701-01561	1	1 -2
	42	13		56	56	721250-11680	40	31	724701-02500	1	28 -1
	13	-1	28110-190220	22	53 -1	721250-13500	42	5		3	1 -1
26756-050002	4	65		56	56 -1	721250-14580	43	1		37	32 -1
	13	6	28110-220240	22	54	721250-21700	44	1		39	1 -1
		37		56	57	721250-21701	44	1 -1	724701-02501	37	32 -2
		61	28210-000031	35	15	721252-32100	45	1 -2		39	1 -2
	33	8		74	10	721390-32100	45	1 -1	724701-11520	4	52
	40	79	28210-000070	35	16	721400-01540	37	41	724701-11700	4	1
	49	6		74	11	721400-01541	37	41 -1	724701-11701	4	1 -1
		36	28210-000140	22	55	721400-01560	37	1	724701-21700	8	1 -1
		66		56	58	721400-01561	37	1 -1	724701-21701	8	1 -2
	71	8	28312-150750	35	17	721400-11520	40	59	724701-51700	11	1 A
26756-080002	4	25 -2		74	12	721400-11521	40	59 -1	724701-92600	22	1
		13	42130-502220	55	12 A	721400-11700	40	1	724701-92601	22	1 -1
		19	43400-500390	12	9	721400-11701	40	1 -1	724701-92602	22	1 -2
		32		22	33	721400-21500	24	1	724722-11520	4	52 -1
		40		48	9		60	1	724763-01900	1	33
		26		56	37	721400-51700	47	1 A		37	37
		40	43400-500400	13	39	721400-55700	31	1	724763-22500	8	19
		45		22	34		69	1		36	5
		49		49	38	721400-55701	31	1 -1		44	19
		53		56	38		69	1 -1		75	6
		70	43400-500410	1	27	721400-66530	13	12	724768-22720	8	17
		10		13	40		49	12		44	17
		46		22	5	721400-92600	56	1	724768-22721	8	17 -1
26756-160002	35	6		37	31	721400-92601	56	1 -1		44	17 -1
	74	6		49	39	721400-92602	56	1 -2	724770-53100	11	37
26796-100002	10	48 -1		56	6	721480-92500	75	1		47	38
	46	45 -1	43400-500490	1	40 -2	721481-51700	47	1 B	724770-92220	35	9
27231-350000	6	3 -1		40	-3	724060-51530	47	25 -1	724780-92500	36	1
	42	15		22	8	724160-01612	2	1	724781-51700	11	1 B
27231-400000	1	25 -1		37	8 -1		38	1	724790-32100	9	1 -1
	37	29 -1		44	-3	724240-51530	11	25	774307-51490	11	32 -1
27233-350000	6	3		44	-4	724450-11650	4	29	X21142215	14	12
	42	7		56	9	724450-11660	4	30		16	6
27233-400000	1	25		9	-1	724450-21701	8	1	X21143155	14	7
	37	29	46150-001110	21	5	724450-23100	8	25	X21145866	16	23
27241-300000	1	26 -1		55	5		44	25	X21201110	16	3
	37	30 -1	711100-51540	11	15	724450-61520	13	62		14	3
27243-300000	1	26		47	15		49	40	X21201115	15	3
	37	30	721150-51530	47	25		1	1		16	4
28110-100120	22	51 -1	721250-02500	37	32		1	28		50	3

Parts No. Index

Parts No.	Fig. No.	Ref. No.
X21201313	14	18
	16	10
X21201605	14	22
	16	19
X21201742	14	30
	50	21
X21201744	14	31
	50	22
X21201815Y	14	33
X21201836	14	34
	50	24
X21202259	14	11
X21202350	14	13
X21202601	14	27
	16	17
X21202602	16	18
X21202803	15	21
X21202815	15	24
X21203305Y	14	15
X212037002	16	21
X21204150	15	2
X21204220	15	6
X21204259	16	5
X21204302	14	14
	16	12
X21204401	14	20
	15	14
	16	14
	50	14
X212045001	15	15
	16	15
X21204610	14	28
X21204810	14	32
	16	22
X21205305	15	10
X21205310	16	8
X21205312	14	17
X21205400	14	19
	16	13
X21205550	14	21
X21205650	14	26
	16	16
X21206312	15	12
X21206810	15	23
X21207100	14	2
	16	2
X21207311	14	16
X21207312	16	9
X21208311	15	7
X212086002	15	16

Parts No.	Fig. No.	Ref. No.
X21209311	16	7
X2120M6700Y	14	29
X213011001	73	2
X21301110	73	5
X21301119	50	4
	73	7
X21301310	15	9
		17
	50	8
X21301402	73	15
X213017001	73	22
X21301827	15	26
	50	25
X21302115	73	6
X21302302	73	3
X21302402	73	16
X21302601	50	19
	73	19
X21302605	50	17
	73	20
X21302610	15	19
	50	16
X21303302	73	4
X21303400	15	13
	50	13
X21303610	73	21
X21303820	50	23
X21304220	50	5
X213043011	73	10
X21304305	50	9
X21304311	50	6
X21304312	50	10
X21304313	15	11
	50	11
X21304400	73	14
X213045001	73	17
X21304820	73	23
X21305312	73	12
X21305313	73	13
X21306610	15	19
X21306700	15	20
	50	20
X21307100	50	2
X21307300	15	8
	50	7
X21307305	73	11
X213076001	73	18
X21307605	15	18
X21308220	73	8
X21308311	73	9

Parts No.	Fig. No.	Ref. No.
X21308500	50	15
X21309600	50	18
X22501300	16	11
X22506105	15	4
X495469B	18	20
	52	20
X6201SD	17	4
	18	3
	19	3
	51	4
	52	3
	53	3
X6202B	18	15
	52	15
X6202BM	18	15
	19	16
	52	15
	53	16
X6302BM	17	22
	51	22
XB444001A	17	28
	51	28
XB495469B	19	21
	53	21
XL12010001	18	16
	19	17
	52	16
	53	17
XL12013011	18	6
	52	6
XL12013173	18	7
	52	7
XL12013262	18	9
	19	9
	52	9
	53	9
XL1201510	18	17
	19	18
	52	17
	53	18
XL1202401	18	13
	19	14
	52	13
	53	14
XL12031001	18	2
	19	2
	52	2
	53	2
XL12033011	19	6
	53	6

Parts No.	Fig. No.	Ref. No.
XL12063001	18	5
	52	5
XL1208326	18	8
	52	8
XL1209200	18	4
	19	4
	52	4
	53	4
XL1254801	19	19
	53	19
XL1255801	19	20
	53	20
XL13513134	18	11
	19	11
	52	11
	53	11
XL13513152	19	7
	53	7
XL13513203	18	12
	19	12
	52	12
	53	12
XL13514041	18	14
	19	15
	52	14
	53	15
XL13533002	19	5
	53	5
XL1354326	19	8
	53	8
XL1356360	19	13
	53	13
XL135Y1200	17	5
	51	5
XL135Y1300	17	6
	51	6
XL135Y1301	17	7
	51	7
XL135Y1302	17	8
	51	8
XL135Y1303	17	9
	51	9
XL135Y1310	17	10
	51	10
XL135Y1311	17	11
	51	11
XL135Y13200	17	12
	51	12
XL135Y1400	17	20
	51	20

Parts No. Index

Parts No.	Fig. No.	Ref. No.
XL135Y1401	17	21
	51	21
XL135Y1531	17	24
	51	24
XL135Y1801	17	25
	51	25
XL135Y1802	17	26
	51	26
XL135Y1803	17	14
	51	14
XL135Y1810	17	16
	51	16
XL135Y1820	17	27
	51	27
XL1602801Y	18	19
	52	19
XL160M18021	18	18
	52	18
XLR135Y1100	17	2
	51	2
XMV11305	17	17
	51	17
XMV11306	17	18
	51	18
XTR1Z28	17	13
	51	13
XTR1Z44	18	10
	52	10
XTR1Z63	19	10
	53	10

Parts No.	Fig. No.	Ref. No.
-----------	----------	----------

Parts No.	Fig. No.	Ref. No.
-----------	----------	----------

Parts No.	Fig. No.	Ref. No.
-----------	----------	----------