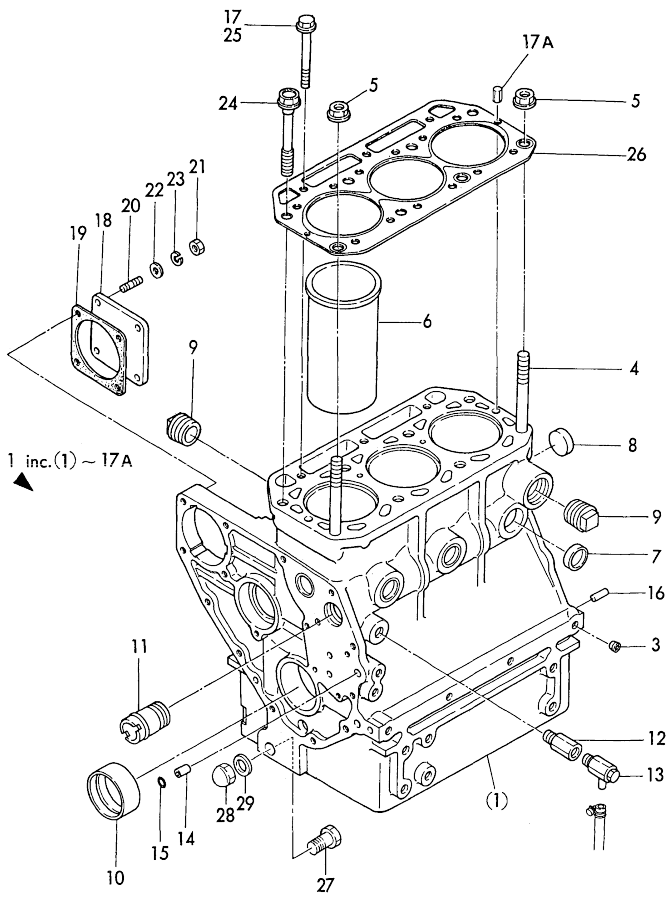


Fig.24. CYLINDER BLOCK

(A)=3T75HLE
(D)=3T75HLEG1-S
(B)=3T75HLE-S
(E)=
(C)=3T75HLEG1
(F)=

Fig.24 CYLINDER BLOCK



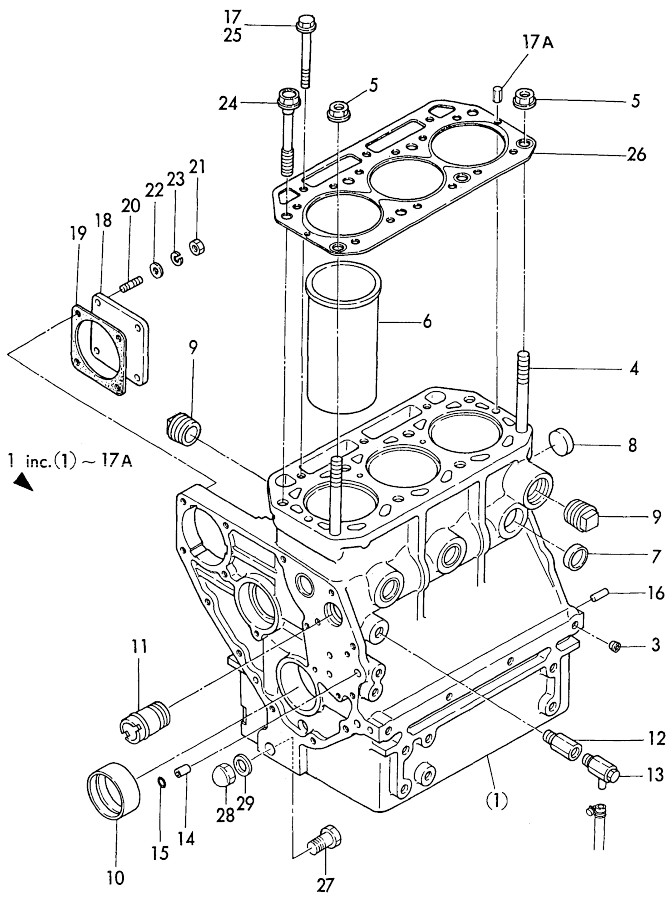
No.	Lev.	Parts No.	Description	Q'ty						I	R
				(A)	(B)	(C)	(D)	(E)	(F)		
1	1	721500-01560	BLOCK ASSY, CYLINDER	1	1						
1-1	1	721500-01561	BLOCK ASSY, CYLINDER	1	1						N
		(A=E/# 89474) (B=E/# 87991)									
1-2	1	721500-01562	BLOCK ASSY, CYLINDER	1	1						R
		(A=E/# 89474) (B=E/# 87991)									
1-3	1	721500-01563	BLOCK ASSY, CYLINDER	1	1	1	1				N
		(A=E/# 89474) (B=E/# 87991)									
3	2	124060-01050	PLUG, PT1/8	7	7	7	7				
4	2	121450-01210	BOLT, HEAD	2	2	2	2				
5	2	121450-01220	NUT, CYLINDER HEAD	2	2	2	2				
6	2	121500-01100	LINER, CYLINDER	3	3	3	3				
7	2	27243-300000	PLUG, 30	5	5						
7-1	2	27241-300000	PLUG 30	5	5	5	5				N
		(A=E/XXX) (B=E/XXX)									
8	2	121450-01990	PLUG, 30	1	1	1	1				
9	2	121750-01920	PLUG, NPTF1	2	2						
9-1	2	171051-01921	PLUG, NPTF1	2	2	2	2				N
		(A=E/# 89474) (B=E/# 87991)									
10	2	121520-02100	BEARING, MAIN	1	1	1	1				
11	2	124160-49480	JOINT, PIPE	1	1	1	1				
12	2	124085-01880	CONNECTOR	1	1						Z
		(A=E/XXX) (B=E/XXX)									
13	2	43600-500290	COCK ASSY 1/4	1	1						
13-1	2	128370-01800	COCK ASSY, 1/4	1	1	1	1				N
		(A=E/# 89474) (B=E/# 87991)									
14	2	105225-01900	GUIDE	2	2						
14-1	2	124085-01900	GUIDE	2	2	2	2				N
		(A=E/# 89474) (B=E/# 87991)									
15	2	24314-000100	O-RING, 4CP10.0	2	2						
15-1	2	24311-000100	O-RING, 1AP10.0	2	2	2	2				N
16	2	22312-080160	PIN, PARALLEL M8X16	2	2	2	2				
17	2	129350-01230	BOLT, HEAD	3	3	3	3				W
		(A=E/# 89474) (B=E/# 87991)									
17A	2	22351-060012	PIN, SPRING 6.0X12	2	2	2	2				W
		(A=E/# 89474) (B=E/# 87991)									
18	1	124240-01871	COVER	1	1	1	1				
19	1	124240-01882	GASKET	1	1						
19-1	1	124240-01883	GASKET	1	1	1	1				N
		(A=E/# 98855) (B=E/# A0744)									
20	1	26216-080222	STUD, M8X 22	4	4	4	4				
21	1	26716-080002	NUT, M8	4	4						
21-1	1	26366-080002	NUT, M8	4	4	4	4				N
		(A=E/# 89474) (B=E/# 87991)									
22	1	22117-080000	WASHER, 8	4	4						Z
		(A=E/XXX) (B=E/XXX)									
23	1	22217-080000	WASHER, SPRING 8	4	4						Z
		(A=E/XXX) (B=E/XXX)									
24	1	121550-01200	BOLT, HEAD	6	6	6	6				
25	1	121450-01231	BOLT, HEAD	3	3						Z
		(A=E/# 89474) (B=E/# 87991)									
26	1	121550-01330	GASKET, HEAD	1	1						

N:Old $\frac{New}{Old}$ New. Q:Old $\frac{New}{Old}$ New. R:Old $\frac{New}{Old}$ New. S:Old $\frac{New}{Old}$ New. W:Add. Z:Discontinued. F:Interchangeable by set. K:Q'ty Change
 ++ CONTINUE ++
 Copyright (C) YANMAR CO., LTD. All Rights Reserved.

Fig.24. CYLINDER BLOCK

(A)=3T75HLE
(D)=3T75HLEG1-S
(B)=3T75HLE-S
(E)=
(C)=3T75HLEG1
(F)=

Fig. **24** CYLINDER BLOCK

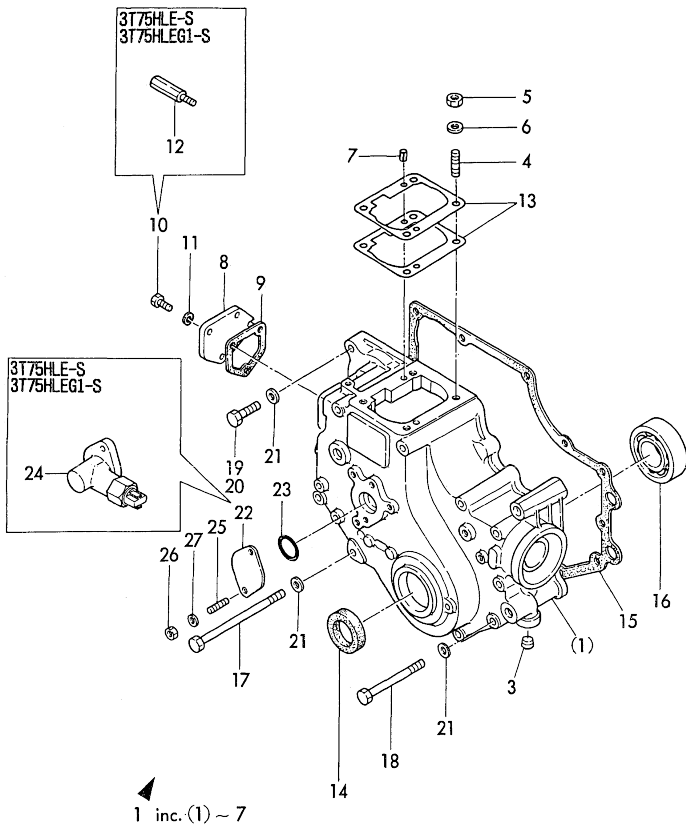


No.	Lev.	Parts No.	Description	Q'ty						I	R
				(A)	(B)	(C)	(D)	(E)	(F)		
26-1	1	121550-01331	GASKET, HEAD	1	1	1	1			N	
		(A=E# 89474) (B=E# 87991)									
27	1	124500-01950	BOLT	1	1	1	1			W	
		(A=E# 89474) (B=E# 87991)									
28	1	121550-35100	NUT, CAP PF1/4	1	1	1	1			W	
		(A=E# 89474) (B=E# 87991)									
29	1	121550-35111	GASKET, 18	1	1					W	
		(A=E# 89474) (B=E# 87991)									
29-1	1	121550-35110	GASKET, 18	1	1	1	1			N	
		(A=E# 89474) (B=E# 87991)									

N:Old $\frac{100}{100}$ New, Q:Old $\frac{100}{100}$ New, R:Old $\frac{100}{100}$ New, S:Old $\frac{100}{100}$ New, W:Add, Z:Discontinued, F:Interchangeable by set, K:Q'ty Change
Copyright (C) YANMAR CO., LTD. All Rights Reserved.

Fig.25. GEAR HOUSING

Fig. 25 GEAR HOUSING



(A)=3T75HLE
(B)=3T75HLE-S
(C)=3T75HLEG1

(D)=3T75HLEG1-S
(E)=
(F)=

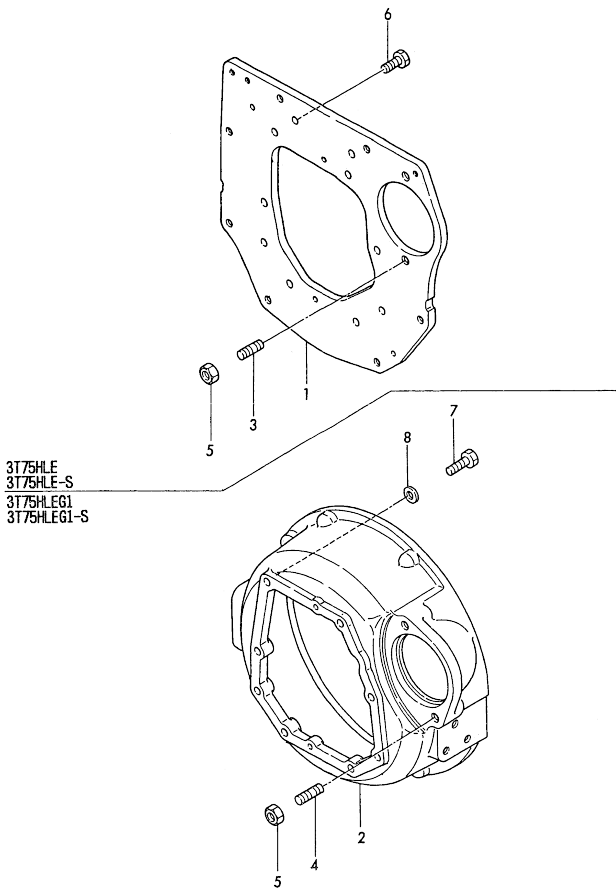
No.	Lev.	Parts No.	Description	Qty						I	R
				(A)	(B)	(C)	(D)	(E)	(F)		
1	1	721000-01610	CASE ASSY, GEAR	1	1						
1-1	1	721000-01611	CASE ASSY, GEAR	1	1	1	1				S
		(A=E# 89474) (B=E# 87991)									
3	2	124060-01050	PLUG, PT1/8	1	1	1	1				
4	2	121450-01560	STUD, M8X22	4	4	4	4				
5	2	26716-080002	NUT, M8	4	4	4	4				
5-1	2	194990-22050	NUT, M8	4	4						N
		(A=E# 89796)									
6	2	43400-500140	SEAL WASHER 8S	4	4						
6-1	2	22217-080000	WASHER, SPRING 8	4	4						N
		(B=E-EXXX)									
7	2	22351-040010	PIN, SPRING 4.0X10	2	2	2	2				
8	1	121000-01850	COVER, BLOCK	1	1	1	1				
9	1	121575-01860	GASKET	1	1						
9-1	1	121575-01861	GASKET	1	1	1	1				N
		(A=E# 89474) (B=E# 87991)									
10	1	26116-060142	BOLT, M6X 14 PLATED	3	1						
10-1	1	26106-060122	BOLT, M6X 12 PLATED	3	1	3	1				N
		(A=E# 89474) (B=E# 87991)									
11	1	22217-060000	WASHER, SPRING 6	3	3						Z
		(A=E-EXXX) (B=E-EXXX)									
12	1	121005-01950	BOLT, M6X15		2		2				
13	1	121450-01951	SHIM SET, ADJUSTING	1	1	1	1				
14	1	121450-01801	SEAL, TC25408	1	1	1	1				
15	1	121575-01510	GASKET, GEAR CASE	1	1						
15-1	1	121575-01511	GASKET, GEAR CASE	1	1	1	1				N
		(A=E# 89474) (B=E# 87991)									
16	1	24101-063050	BEARING, BALL 6305C3	1	1	1	1				
17	1	26116-081152	BOLT, M8X115 PLATED	4	4						
17-1	1	26106-081152	BOLT, M8X115 PLATED	4	4	4	4				N
		(A=E# 89474) (B=E# 87991)									
18	1	26116-080852	BOLT, M8X 85 PLATED	6	6						
18-1	1	26106-080852	BOLT, M8X 85 PLATED	6	6	6	6				N
		(A=E# 89474) (B=E# 87991)									
19	1	26116-080352	BOLT, M8X 35 PLATED	2							
19-1	1	26106-080352	BOLT, M8X 35 PLATED	2		2					N
		(A=E# 89474)									
20	1	26116-080322	BOLT, M8X 32 PLATED		2						
20-1	1	26106-080322	BOLT, M8X 32 PLATED		2		2				N
		(B=E# 87991)									
21	1	22117-080000	WASHER, 8	12	10						Z
		(A=E-EXXX) (B=E-EXXX)									
22	1	121023-01550	COVER	1		1					
23	1	24341-000260	O-RING, 1AS26.0	1	1	1	1				
23-1	1	24341-000240	O-RING, 1AS24.0	1		1					N
		(A=E# 98855)									
24	1	121005-91401	SENSOR		1						
24-1	1	121005-91402	SENSOR		1		1				S
		(B=E# 87991)									
25	1	26216-060142	STUD, M6X 14	2	2	2	2				
26	1	26716-060002	NUT, M6	2	2						

N:Old $\frac{100}{100}$ New, Q:Old $\frac{100}{100}$ New, R:Old $\frac{100}{100}$ New, S:Old $\frac{100}{100}$ New, W:Add, Z:Discontinued, F:Interchangeable by set, K:Qty Change
 ++ CONTINUE ++
 Copyright (C) YANMAR CO., LTD. All Rights Reserved.

Fig.26. MOUNTING FLANGE

(A)=3T75HLE
(B)=3T75HLE-S
(C)=3T75HLEG1
(D)=3T75HLEG1-S
(E)=
(F)=

Fig. 26 MOUNTING FLANGE

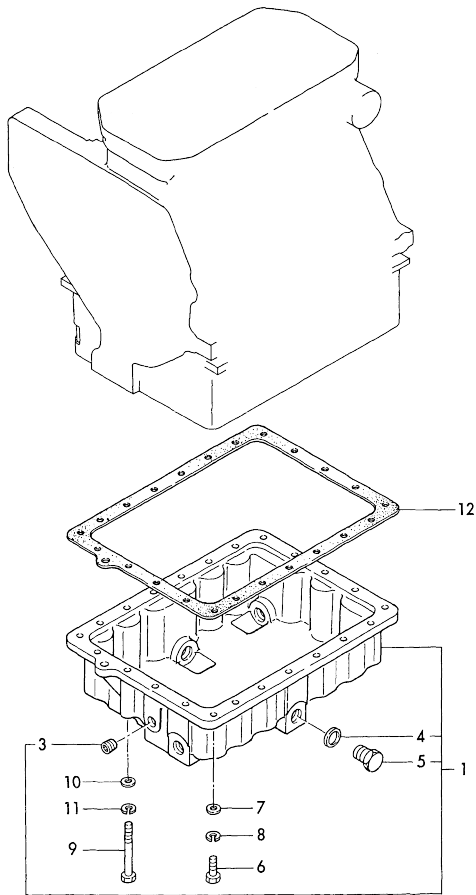


No.	Lev.	Parts No.	Description	Q'ty						I	R
				(A)	(B)	(C)	(D)	(E)	(F)		
1	1	129350-01600	FLANGE, MOUNTING	1							
2	1	121505-01600	FLANGE, MOUNTING		1						
2-1	1	121505-01601	HOUSING, FLYWHEEL			1		1			N
			(B=E# 87991)								
3	1	124450-01610	STUD		2		2				
4	1	26216-120252	STUD, M12X 25			2		2			
5	1	26716-120002	NUT, M12		2		2	2			
6	1	26116-100222	BOLT, M10X 22 PLATED		10						
6-1	1	26206-100222	BOLT M10X22		10		10				N
			(A=E# 89474)								
7	1	26116-100302	BOLT, M10X 30 PLATED			10					
7-1	1	26206-100282	BOLT, M10X 28 PLATED			10		10			N
			(B=E# 87991)								
8	1	22117-100000	WASHER, 10			10					Z

N:Old $\frac{100}{100}$ New, Q:Old $\frac{100}{100}$ New, R:Old $\frac{100}{100}$ New, S:Old $\frac{100}{100}$ New, W:Add, Z:Discontinued, F:Interchangeable by set, K:Qty Change
Copyright (C) YANMAR CO., LTD. All Rights Reserved.

Fig.27. LUB. OIL SUMP

Fig.27 LUB. OIL SUMP



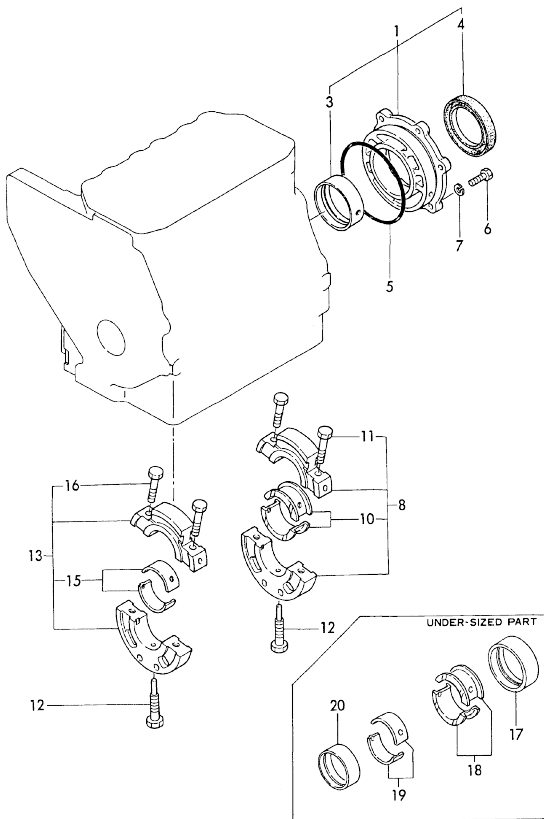
(A)=3T75HLE
(B)=3T75HLE-S
(C)=3T75HLEG1

(D)=3T75HLEG1-S
(E)=
(F)=

No.	Lev.	Parts No.	Description	Q'ty						I	R
				(A)	(B)	(C)	(D)	(E)	(F)		
1	1	721500-01540	SUMP ASSY, OIL	1	1	1	1				
3	2	124160-01910	PLUG, PT1/4	1	1	1	1				
4	2	105425-01690	PLUG, 16	5	5						
4-1	2	121400-01640	PLUG, 16	5	5	5	5				S
		(A=E/# 89474) (B=E/# 87991)									
5	2	43400-500490	SEAL WASHER 16	5	5						
5-1	2	24311-000180	O-RING, 1AP18.0	5	5	5	5				S
		(A=E/# 89474) (B=E/# 87991)									
6	1	26116-060202	BOLT, M6X 20 PLATED	22	22						
6-1	1	26014-060202	BOLT, M6X 20	22	22	22	22				N
		(A=E/# 89474) (B=E/# 87991)									
7	1	22117-060000	WASHER, 6	22	22						Z
		(A=E/XXX) (B=E/XXX)									
8	1	22217-060000	WASHER, SPRING 6	22	22						Z
		(A=E/XXX) (B=E/XXX)									
9	1	26116-060652	BOLT, M6X 65 PLATED	1	1						
9-1	1	26014-060652	BOLT M 6X 65	1	1	1	1				N
		(A=E/# 89474) (B=E/# 87991)									
10	1	22117-060000	WASHER, 6	1	1						Z
		(A=E/XXX) (B=E/XXX)									
11	1	22217-060000	WASHER, SPRING 6	1	1						Z
		(A=E/XXX) (B=E/XXX)									
12	1	121575-01750	GASKET, OIL SUMP	1	1						
12-1	1	121575-01751	GASKET, OIL SUMP	1	1	1	1				N
		(A=E/# 89474) (B=E/# 87991)									

Fig.28. MAIN BEARING HOUSING

Fig. 28 MAIN BEARING HOUSING



(A)=3T75HLE
(B)=3T75HLE-S
(C)=3T75HLEG1

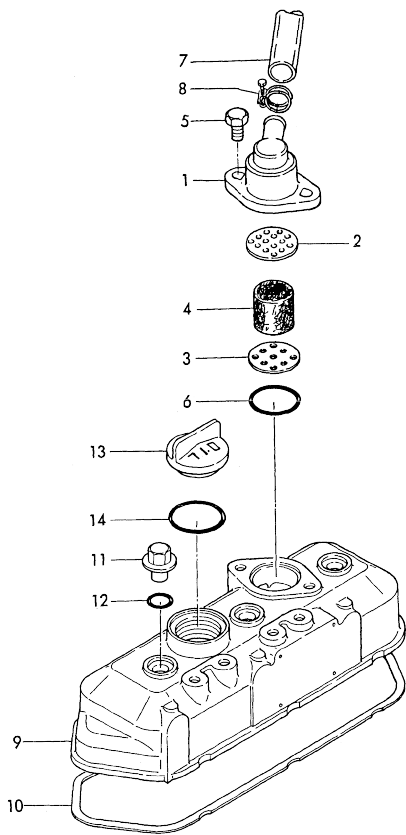
(D)=3T75HLEG1-S
(E)=
(F)=

No.	Lev.	Parts No.	Description	Q'ty						I	R
				(A)	(B)	(C)	(D)	(E)	(F)		
1	1	721550-02500	HOUSING ASSY, METAL	1	1	1	1				
3	2	121550-02110	BEARING, MAIN	1	1	1	1				
4	2	121551-02220	SEAL, OIL	1	1	1	1				
5	1	24341-001350	O-RING, 1AS135.0	1	1	1	1				
6	1	26116-080202	BOLT, M8X 20 PLATED	6	6						
6-1	1	26013-080202	BOLT, M8X 20	6	6	6	6				N
7	1	(A=E/XXX) (B=E/XXX) 22217-080000	WASHER, SPRING 8	6	6						Z
8	1	721550-02610	HOUSING ASSY, METAL	1	1	1	1				
10	2	721550-02800	BEARING, MAIN	1	1	1	1				
11	2	121550-02070	BOLT	2	2						
11-1	2	121250-02070	BOLT	2	2	2	2				N
12	1	(A=E/# 98855) (B=E/# A0744) 105225-02300	BOLT	2	2						
12-1	1	(A=E/XXX) (B=E/XXX) 121550-02300	BOLT	2	2	2	2				N
13	1	721550-02620	HOUSING ASSY, METAL	1	1	1	1				
15	2	721550-02810	BEARING, MAIN	1	1						
16	2	121550-02070	BOLT	2	2						
16-1	2	121250-02070	BOLT	2	2	2	2				N
17	1	(A=E/# 98855) (B=E/# A0744) 121550-02320	BEARING, 0.25 US	1	1	1	1				1
18	1	721550-02830	BEARING, 0.25 US	1	1	1	1				1
19	1	721550-02820	BEARING, 0.25 US	1	1	1	1				1
20	1	121550-02310	BEARING, 0.25 US	1	1	1	1				1

Remarks
(1) UNDER SIZED(U.S=0.25) PART.

N:Old $\frac{100}{100}$ New. Q:Old $\frac{100}{100}$ New. R:Old $\frac{100}{100}$ New. S:Old $\frac{100}{100}$ New. W:Add. Z:Discontinued. F:Interchangeable by set. K:Q'ty Change
Copyright (C) YANMAR CO., LTD. All Rights Reserved.

Fig. **29** BONNET



(A)=3T75HLE
 (B)=3T75HLE-S
 (C)=3T75HLEG1

(D)=3T75HLEG1-S
 (E)=
 (F)=

No.	Lev.	Parts No.	Description	Qty						I	R
				(A)	(B)	(C)	(D)	(E)	(F)		
1	1	121450-03011	BODY, BREATHER	1	1						
1-1	1	121450-03012	BODY, BREATHER	1	1	1	1				N
		(A=E# 89474) (B=E# 87991)									
2	1	128670-03020	PLATE, BAFFLE	1	1						Z
		(A=E# 89474) (B=E# 87991)									
3	1	128670-03030	PLATE, BAFFLE	1	1	1	1				
4	1	128670-03040	WOOL, STEEL	1	1	1	1				
5	1	121250-01710	BOLT, SUMP M8X14	2	2						
5-1	1	26106-080142	BOLT, M8X 14 PLATED	2	2	2	2				N
		(A=E# 98855) (B=E# A0744)									
6	1	24341-000400	O-RING, 1AS40.0	1	1	1	1				
7	1	121500-03200	PIPE, BREATHER	1	1						
7-1	1	171008-03202	PIPE, BREATHER	1	1						R
		(A=E# 89474) (B=E# 87991)									
7-2	1	171008-03203	PIPE, BREATHER	1	1	1	1				N
		(A=E# 89474) (B=E# 87991)									
8	1	23010-025000	CLAMP, 25	2	2						
8-1	1	171008-03990	CLIP, HOSE 18.5	2	2	2	2				R
		(A=E# 89474) (B=E# 87991)									
9	1	121500-11300	BONNET	1	1	1	1				
9-1	1	121520-11300	BONNET	1	1	1	1				F 1
10	1	128670-11310	GASKET, BONNET	1	1	1	1				
10-1	1	121550-11310	GASKET, BONNET	1	1	1	1				S 1
11	1	124160-11360	KNOB	3	3	3	3				
12	1	24314-000120	O-RING, 4CP12.0	3	3						
12-1	1	24311-000120	O-RING, 1AP12.0	3	3	3	3				N
		(A=E# 89474) (B=E# 87991)									
13	1	124160-01751	COVER, FILLER	1	1	1	1				
14	1	24321-000350	O-RING, 1AG35.0	1	1						
14-1	1	24311-000320	O-RING, 1AP32.0	1	1	1	1				N
		(A=E# 93793) (B=E# 93970)									

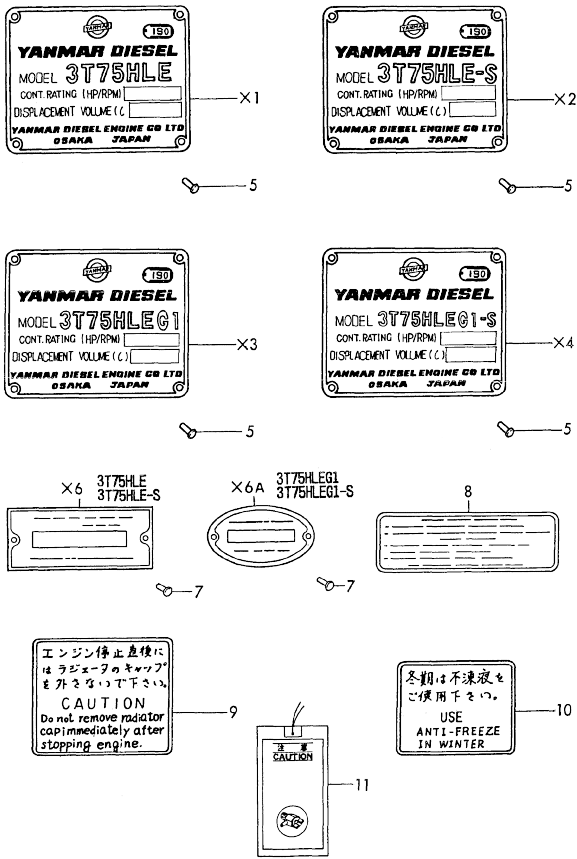
Remarks
 (1) INTERCHANGEABLE BY SIMULTANEOUS
 REPLACEMENT WITH NO.9-1 AND 10-1.

Fig.30. LABEL

(A)=3T75HLE
(B)=3T75HLE-S
(C)=3T75HLEG1

(D)=3T75HLEG1-S
(E)=
(F)=

Fig.30 LABEL



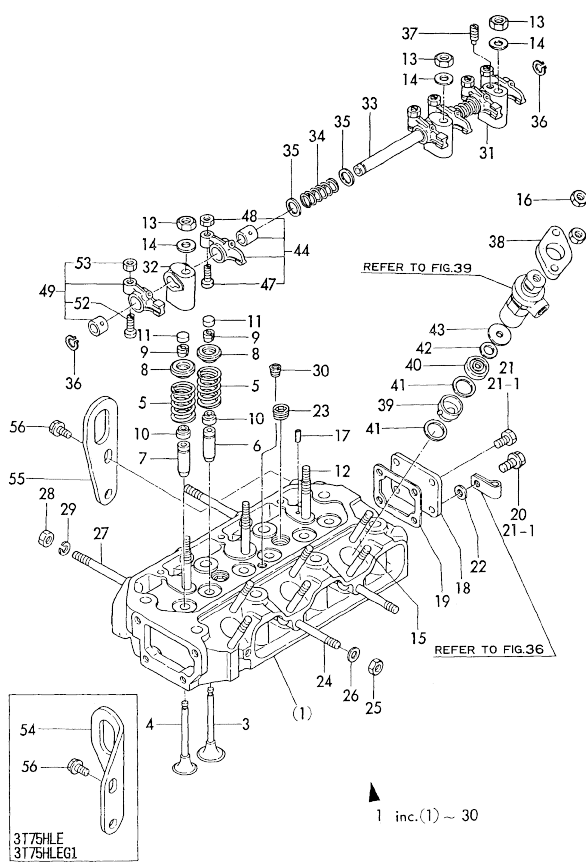
No.	Lev.	Parts No.	Description	Q'ty						I	R
				(A)	(B)	(C)	(D)	(E)	(F)		
5	1	102210-07990	RIVET	4	4	4	4				
7	1	124220-51890	RIVET	2	2	2	2				
8	1	121005-12600	LABEL			1	1				
9	1	121400-44910	LABEL			1	1				
10	1	121400-44900	LABEL			1	1				
11	1	123682-07850	LABEL, CAUTION	1	1	1	1				W

(A)=E# 89474 (B)=E# 87991

Fig.31. CYLINDER HEAD

(A)=3T75HLE
(D)=3T75HLEG1-S
(B)=3T75HLE-S
(E)=
(C)=3T75HLEG1
(F)=

Fig.31 CYLINDER HEAD



No.	Lev.	Parts No.	Description	Q'ty						I	R
				(A)	(B)	(C)	(D)	(E)	(F)		
1	1	721580-11700	HEAD ASSY, CYLINDER	1	1	1	1				
3	2	104211-11100	VALVE, INTAKE	3	3	3	3				
4	2	121500-11110	VALVE, EXHAUST	3	3	3	3				
5	2	121575-11121	SPRING, VALVE	6	6	6	6				
6	2	124060-11800	GUIDE, VALVE	3	3	3	3				1
7	2	119620-11801	GUIDE, VALVE	3	3	3	3				1
8	2	104211-11180	RETAINER, SPRING	6	6	6	6				
9	2	27310-070001	COTTER, 7	6	6						
9-1	2	101158-11190	COTTER	6	6	6	6				N
		(A=E# 89474) (B=E# 87991)									
10	2	124950-11340	SEAL, VALVE STEM	6	6	6	6				
11	2	104211-11370	CAP, VALVE	6	6	6	6				
12	2	105225-11350	STUD	3	3	3	3				
13	2	26776-100002	NUT, LOCK M10	3	3						
13-1	2	26696-100002	NUT, LOCK M10	3	3	3	3				N
		(A=E# 89474) (B=E# 87991)									
14	2	22137-100000	WASHER, 10	3	3						Z
		(A=E# 89474) (B=E# 87991)									
15	2	26216-080702	STUD, M8X 70	6	6	6	6				
16	2	26716-080002	NUT, M8	6	6						
16-1	2	121465-11950	NUT	6	6						N
		(A=E# 89474) (B=E# 87991)									
16A	2	26366-080002	NUT, M8				6	6			
17	2	121000-11050	PIN, 4.5X12	1	1	1	1				
18	2	121450-11670	COVER, HEAD	1	1	1	1				
19	2	121450-11680	GASKET	1	1						
19-1	2	121450-11681	GASKET	1	1	1	1				N
		(A=E# 89474) (B=E# 87991)									
20	2	121250-01710	BOLT, SUMP M8X14	1	1						Z
		(A=E# 89474) (B=E# 87991)									
21	2	26116-080122	BOLT, M8X 12 PLATED	3	3						
21-1	2	26106-080122	BOLT, M8X 12 PLATED	4	4	4	4				N
		(A=E# 89474) (B=E# 87991)									
22	2	22137-080000	WASHER, 8	1	1						Z
		(A=E# 89474) (B=E# 87991)									
23	2	23873-030000	PLUG, R03	2	2						
23-1	2	23871-030000	PLUG, R03	2	2	2	2				N
		(A=E# 89474) (B=E# 87991)									
24	2	121450-11550	STUD, MANIFOLD	2	2	2	2				
25	2	26716-080002	NUT, M8	2	2						
25-1	2	26366-080002	NUT, M8	2	2	2	2				N
		(A=E# 89474) (B=E# 87991)									
26	2	22137-080000	WASHER, 8	2	2						Z
		(A=E# 89474) (B=E# 87991)									
27	2	121450-11550	STUD, MANIFOLD	2	2	2	2				
28	2	26716-080002	NUT, M8	2	2						
28-1	2	194990-22050	NUT, M8	2	2	2	2				N
		(A=E# 89796) (B=E# 90326)									
29	2	22217-080000	WASHER, SPRING 8	2	2						Z
		(A=E# 89474) (B=E# 87991)									
30	2	23873-020000	PLUG, R02	1	1						

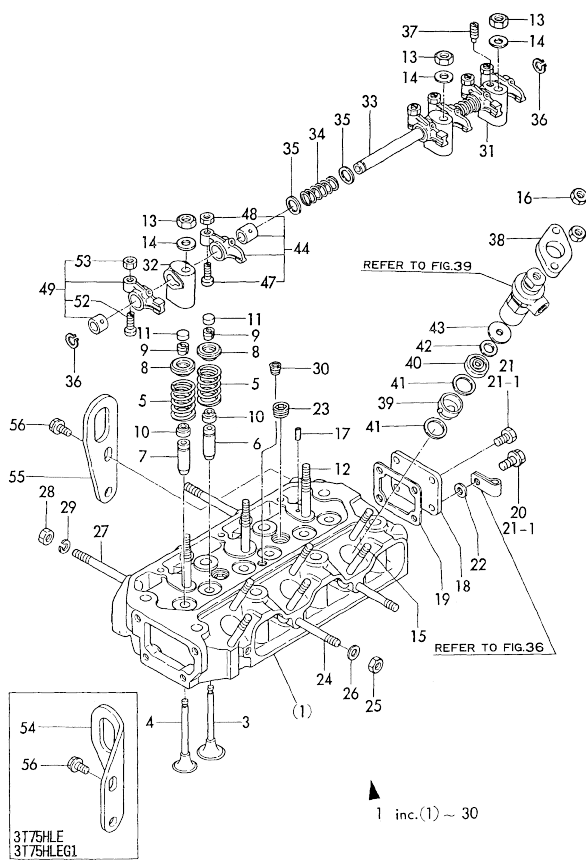
Remarks
(1) REPAIR PARTS.

N:Old $\frac{100}{100}$ New, Q:Old $\frac{100}{100}$ New, R:Old $\frac{100}{100}$ New, S:Old $\frac{100}{100}$ New, W:Add, Z:Discontinued, F:Interchangeable by set, K:Q'ty Change
++ CONTINUE ++
Copyright (C) YANMAR CO., LTD. All Rights Reserved.

Fig.31. CYLINDER HEAD

(A)=3T75HLE
(B)=3T75HLE-S
(C)=3T75HLEG1
(D)=3T75HLEG1-S
(E)=
(F)=

Fig.31 CYLINDER HEAD



No.	Lev.	Parts No.	Description	Q'ty						I	R
				(A)	(B)	(C)	(D)	(E)	(F)		
30-1	2	23871-020000 (A=E)XXX (B=E)XXX	PLUG, R02	1	1	1	1			N	
31	1	121450-11260 (A=E)XXX (B=E)XXX	SUPPORT, ROCKER ARM	2	2						
31-1	1	121450-11260 (A=E)XXX (B=E)XXX	SUPPORT, ROCKER ARM	1	1	1	1			K	
32	1	121450-11270 (A=E)XXX (B=E)XXX	SUPPORT, ROCKER ARM	2	2	2	2				
33	1	121550-11240	SHAFT ASSY, ROCKER	1	1	1	1				
34	1	121550-11280	SPRING	2	2	2	2				
35	1	121550-11290	WASHER	6	6	6	6				
36	1	22242-000140	RING, 14	2	2	2	2				
37	1	26921-080102	SCREW, M8X10	1	1	1	1				
38	1	101147-11900	RETAINER	3	3	3	3				
39	1	121575-11420	CHAMBER, D29/24H25	3	3						
39-1	1	121575-11421 (A=E)XXX (B=E)XXX	CHAMBER	3	3					N	
39A	1	121582-11420	CHAMBER			3	3				
40	1	128695-11410	CHAMBER	3	3						
40A	1	121582-11410	CHAMBER			3	3				
41	1	121550-11451	GASKET, CHAMBER	6	6	6	6				
42	1	128275-11490	PROTECTOR	3	3						
42A	1	103854-11490	INSULATOR			3	3				
43	1	128695-11500	COVER	3	3	3	3				
44	1	721450-11650	ARM ASSY, ROCKER	3	3						
44-1	1	121450-11620 (A=E)XXX (B=E)XXX	ARM, ROCKER	3	3	3	3			N	
47	2	101158-11230 (A=E)XXX (B=E)XXX	SCREW, VALVE ADJUST	3	3	3	3				
48	2	26756-080002	NUT, LOCK M8	3	3	3	3				
49	1	721450-11660	ARM ASSY, ROCKER	3	3						
49-1	1	121450-11640 (A=E)XXX (B=E)XXX	ARM, ROCKER	3	3	3	3			N	
52	2	101158-11230 (A=E)XXX (B=E)XXX	SCREW, VALVE ADJUST	3	3	3	3				
53	2	26756-080002	NUT, LOCK M8	3	3	3	3				
54	1	121700-07900	LIFTER	1						Z	
55	1	124736-07900 (A=E)XXX (B=E)XXX	LIFTER	1	1	1	1			W	
56	1	121250-01710	BOLT, SUMP M8X14	2	2						
56-1	1	26106-080142 (A=E# 89474) (B=E# 87991)	BOLT, M8X 14 PLATED	2	2	2	2			N	

Remarks
(1) REPAIR PARTS.

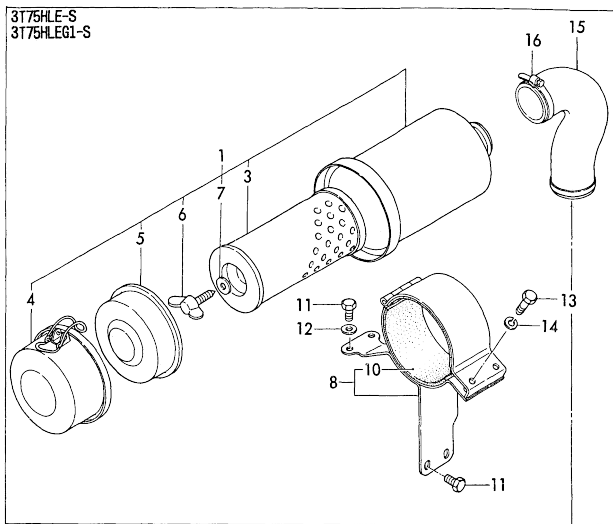
N:Old $\frac{100}{100}$ New. Q:Old $\frac{100}{100}$ New. R:Old $\frac{100}{100}$ New. S:Old $\frac{100}{100}$ New. W:Add. Z:Discontinued. F:Interchangeable by set. K:Q'ty Change
Copyright (C) YANMAR CO., LTD. All Rights Reserved.

Fig.32. SUC.MANIFOLD & AIR CLEANER

(A)=3T75HLE
(B)=3T75HLE-S
(C)=3T75HLEG1

(D)=3T75HLEG1-S
(E)=
(F)=

Fig. **32** SUC. MANIFOLD & AIR CLEANER

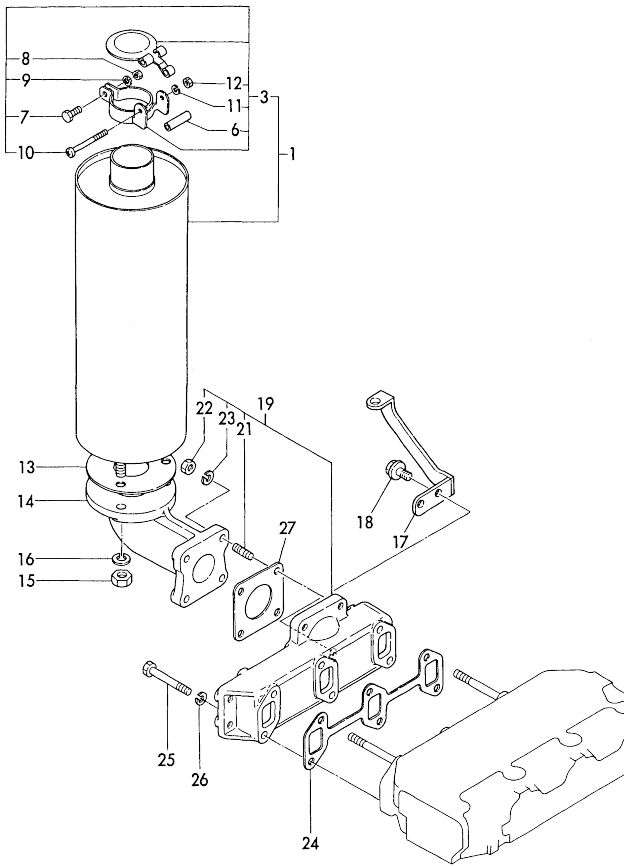


No.	Lev.	Parts No.	Description	Q'ty						I	R
				(A)	(B)	(C)	(D)	(E)	(F)		
1	1	124768-12500	CLEANER, AIR	1	1						
3	2	124756-12510	ELEMENT	1	1						
4	2	129350-12530	PAN ASSY, DUST	1							
4-1	2	124768-12530	PAN, DUST (B=E=XXX)	1		1					N
5	2	129350-12540	BAFFLE ASSY	1							
5-1	2	124768-12540	BAFFLE ASSY (B=E=XXX)	1		1					N
6	2	121120-12560	BOLT	1		1					
7	2	121120-12570	WASHER, SEAL	1		1					
8	1	121505-12580	SUPPORT ASSY,CLEANER	1		1					
10	2	121023-12570	FELT	2		2					
11	1	26116-080162	BOLT, M8X 16 PLATED	4							
11-1	1	26106-080162	BOLT, M8X 16 PLATED (B=E# 87991)	4		4					N
12	1	22137-080000	WASHER, 8 (B=E=XXX)	2							Z
13	1	26116-080302	BOLT, M8X 30 PLATED	2							
13-1	1	26013-080352	BOLT, M8X 35 (B=E# 87991)	2		2					N
14	1	22217-080000	WASHER, SPRING 8 (B=E=XXX)	2							Z
15	1	121505-12210	HOSE, AIR CLEANER	1		1					
16	1	23000-060000	CLAMP, 60	2		2					
17	1	121500-12701	MANIFOLD, AIR INTAKE	1	1	1	1				
17-1	1	721500-12750	MANIFOLD ASSY,INTAKE (A=E=XXX) (B=E=XXX)	1	1						N
17-2	1	121500-12730	MANIFOLD ASSY,INTAKE (A=E# 89474) (B=E# 87991)	1	1	1	1				N
19	2	121500-12790	JOINT, PIPE PT1/4	1	1	1	1				
20	1	121551-12710	GASKET, MANIFOLD	1	1	1	1				
21	1	124450-11320	PLUG	1	1	1	1				

Fig.33. EXH.MANIFOLD & SILENCER

(A)=3T75HLE
(B)=3T75HLE-S
(C)=3T75HLEG1
(D)=3T75HLEG1-S
(E)=
(F)=

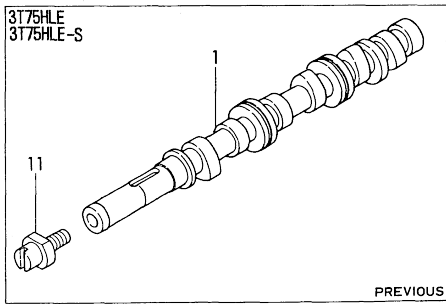
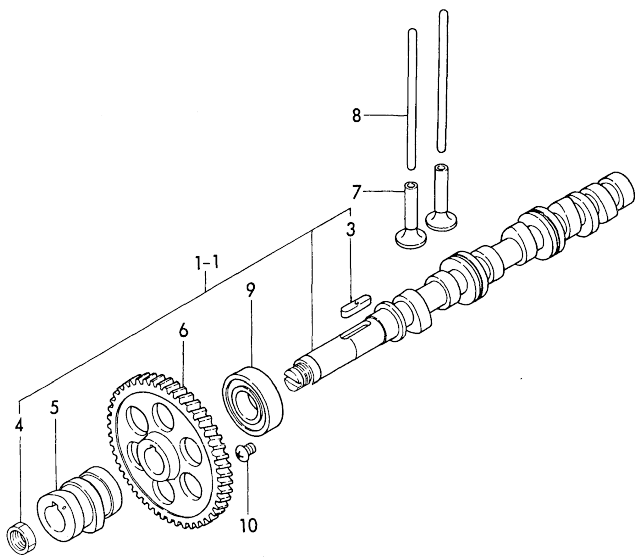
Fig. **33** EXH. MANIFOLD & SILENCER



No.	Lev.	Parts No.	Description	Q'ty						I	R
				(A)	(B)	(C)	(D)	(E)	(F)		
1	1	121100-13490	SILENCER ASSY	1	1						
3	2	721100-13570	CAP ASSY, SILENCER	1	1						
6	3	23042-080035	PIPE 8X1.6X 35	1	1						
7	3	26116-060162	BOLT, M6X 16 PLATED	1							
7-1	3	26013-060162	BOLT, M6X 16 (B=E# 87991)	1	1						N
8	3	26716-060002	NUT, M6	1							
8-1	3	26366-060002	NUT, M6 (B=E# 87991)	1	1						N
9	3	22217-060000	WASHER, SPRING 6 (B=EXXX)	1							Z
10	3	26557-040452	SCREW, M4X45	1	1						
11	3	22217-040000	WASHER, SPRING 4	1	1						
12	3	26716-040002	NUT, M4	1	1						
13	1	103954-13200	GASKET, SILENCER	1	1						
14	1	124732-13550	PIPE	1	1						
15	1	26736-100002	NUT, M10	3							
15-1	1	26606-100002	NUT, M10 (B=E# 87991)	3	3						N
16	1	22217-100000	WASHER, SPRING 10	3	3						
17	1	121086-13530	SUPPORT, SILENCER (B=E# 87991)	1	1						W
18	1	121250-01710	BOLT, SUMP M8X14 (B=E# 87991)	2							W
18-1	1	26106-080142	BOLT, M8X 14 PLATED (B=E# A0744)	2	2						N
19	1	721522-13500	MANIFOLD ASSY	1	1	1	1				
21	2	26216-080222	STUD, M8X 22	4	4	4	4				
22	2	26716-080002	NUT, M8	4	4						
22-1	2	26366-080002	NUT, M8 (A=E# 89474) (B=E# 87991)	4	4	4	4				N
23	2	22217-080000	WASHER, SPRING 8 (A=E# 89474) (B=E# 87991)	4	4	4	4				
24	1	121550-13520	GASKET	1	1						
24-1	1	121550-13521	GASKET (A=E# 89474) (B=E# 87991)	1	1	1	1				N
25	1	26116-080582	BOLT M 8X 58 PLATED	4	4						
25-1	1	121465-13582	BOLT, M8X58 (A=E# 89474) (B=E# 87991)	4	4	4	4				N
26	1	22217-080000	WASHER, SPRING 8 (A=EXXX) (B=EXXX)	4	4						Z
27	1	121000-13200	GASKET, SILENCER	1	1						
27-1	1	121000-13201	GASKET, SILENCER (A=E# 98855) (B=E# A0744)	1	1	1	1				N

N:Old $\frac{100}{100}$ New, Q:Old $\frac{100}{100}$ New, R:Old $\frac{100}{100}$ New, S:Old $\frac{100}{100}$ New, W:Add, Z:Discontinued, F:Interchangeable by set, K:Q'ty Change
Copyright (C) YANMAR CO., LTD. All Rights Reserved.

Fig. 34 CAMSHAFT



(A)=3T75HLE
 (B)=3T75HLE-S
 (C)=3T75HLEG1

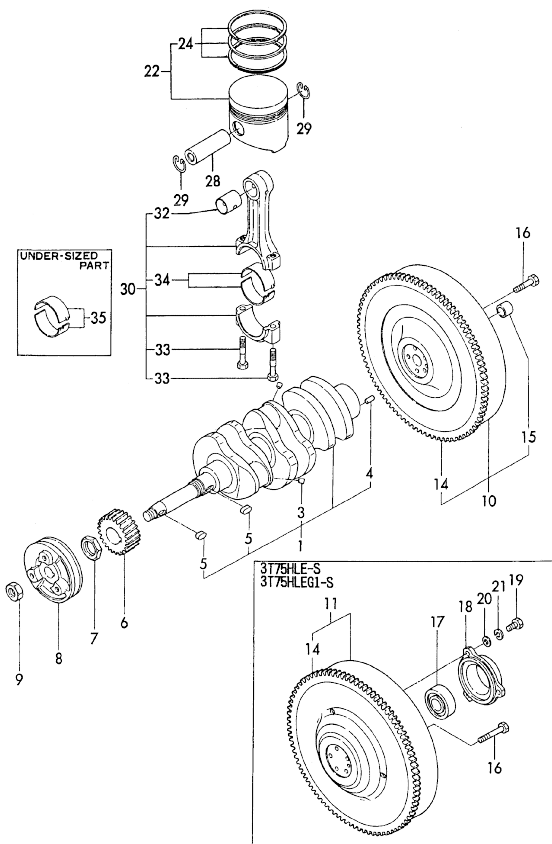
(D)=3T75HLEG1-S
 (E)=
 (F)=

No.	Lev.	Parts No.	Description	Q'ty						I	R
				(A)	(B)	(C)	(D)	(E)	(F)		
1	1	721580-14580	CAMSHAFT ASSY	1	1						
1-1	1	721550-14580	CAMSHAFT ASSY	1	1	1	1				S
		(A=E# 89474) (B=E# 00064)									
3	2	22512-070300	KEY, 7X 30	1	1	1	1				
4	2	121450-14120	NUT	1	1	1	1				W
		(A=E# 89474) (B=E# 00064)									
5	1	121450-14090	CAM, FUEL	1	1	1	1				
6	1	129350-14100	GEAR, CAMSHAFT	1	1	1	1				
7	1	104200-14200	TAPPET	6	6	6	6				
8	1	121550-14400	ROD, PUSH	6	6	6	6				
9	1	24101-062054	BEARING, BALL 6205	1	1	1	1				
10	1	26587-080102	SCREW, M8X10	1	1						
10-1	1	26587-080122	SCREW, M8X12	1	1	1	1				N
		(A=E# 98855) (B=E# A0744)									
11	1	121000-14110	BOLT, CAMSHAFT	1	1						Z
		(A=E) (B=E)									

Fig.35. CRANKSHAFT & PISTON

(A)=3T75HLE
(D)=3T75HLEG1-S
(B)=3T75HLE-S
(E)=
(C)=3T75HLEG1
(F)=

Fig. **35** CRANKSHAFT & PISTON



No.	Lev.	Parts No.	Description	Q'ty						I	R
				(A)	(B)	(C)	(D)	(E)	(F)		
1	1	721500-21700	CRANKSHAFT ASSY	1	1	1	1				
3	2	27221-060140	PLUG 6X14	3	3						
3-1	2	24190-080001	BALL, STEEL 1/4	3	3	3	3				R
(A=E# 89474) (B=E# 87991)											
4	2	22312-080160	PIN, PARALLEL M8X16	1	1	1	1				
5	2	22512-070180	KEY, 7X 18	2	2	2	2				
6	1	129350-21200	GEAR, CRANKSHAFT	1	1	1	1				
7	1	121450-21540	NUT, CRANKSHAFT GEAR	1	1						
7-1	1	121450-21541	NUT, CRANKSHAFT GEAR	1	1	1	1				N
(A=E# 89474) (B=E# 87991)											
8	1	121505-21650	V-PULLEY	1	1	1	1				
9	1	26776-180002	NUT, LOCK M18	1	1	1	1				
10	1	121500-21590	FLYWHEEL ASSY	1		1					
11	1	121505-21590	FLYWHEEL ASSY		1		1				
14	2	129350-21600	GEAR, RING	1	1	1	1				
15	2	121000-21230	BUSH	1		1					
16	1	121000-21500	BOLT, FLYWHEEL	5	5						
16-1	1	121111-21500	BOLT, FLYWHEEL	5	5		5				R
(A=E# 89474) (B=E# 87991)											
16-2	1	121111-21501	BOLT, FLYWHEEL	5		5					N
(A=E# 89474)											
17	1	24107-062054	BEARING, BALL 6205ZZ		1		1				
18	1	121100-21450	RETAINER, BEARING		1		1				
19	1	26116-080222	BOLT, M8X 22 PLATED		3						
19-1	1	26013-080222	BOLT, M8X 22		3		3				N
(B=E# 87991)											
20	1	22117-080000	WASHER, 8		3						Z
(B=E# 87991)											
21	1	22217-080000	WASHER, SPRING 8		3						Z
(B=E# 87991)											
22	1	121500-22090	PISTON ASSY	3	3	3	3				
24	2	721500-22500	RING SET, PISTON	3	3	3	3				
28	1	104200-22300	PIN, PISTON	3	3	3	3				
29	1	172100-22400	CIRCLIP	6	6	6	6				
30	1	721550-23100	ROD ASSY, CONNECTING	3	3	3	3				
32	2	124060-23100	BEARING, PISTON PIN	3	3	3	3				
33	2	121550-23200	BOLT, CONNECTING ROD	6	6	6	6				
34	2	721550-23600	BEARING, CRANK PIN	3	3	3	3				
34A	3	121550-23300	BEARING, CRANK PIN	6	6	6	6				
35	1	121550-23380	BEARING, 0.25 US	3	3						1

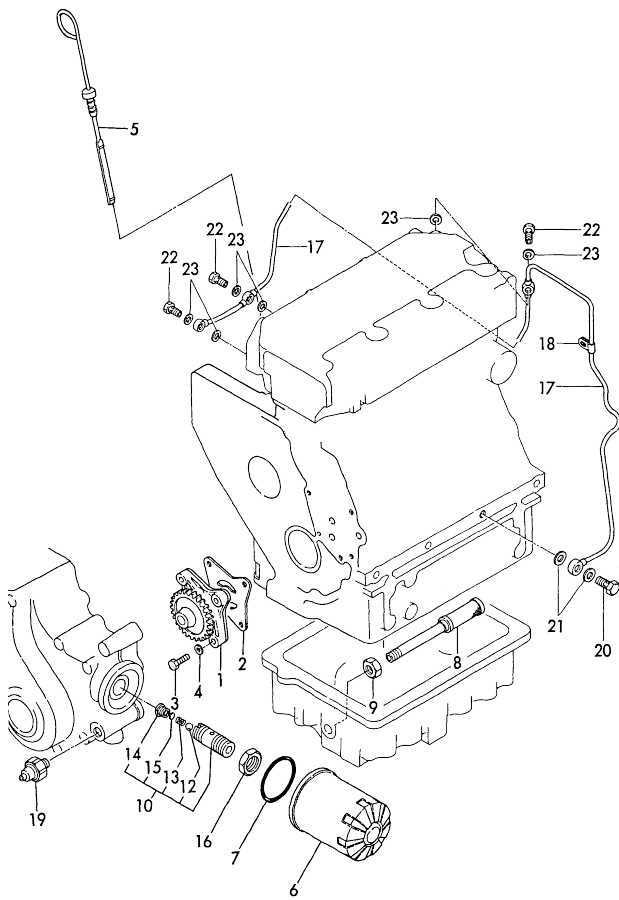
Remarks
(1) REPAIR PARTS.

N:Old $\frac{100}{100}$ New, Q:Old $\frac{100}{100}$ New, R:Old $\frac{100}{100}$ New, S:Old $\frac{100}{100}$ New, W:Add, Z:Discontinued, F:Interchangeable by set, K:Q'ty Change
Copyright (C) YANMAR CO., LTD. All Rights Reserved.

Fig.36. LUB. OIL SYSTEM

(A)=3T75HLE
(D)=3T75HLEG1-S
(B)=3T75HLE-S
(E)=
(C)=3T75HLEG1
(F)=

Fig.36 LUB. OIL SYSTEM



No.	Lev.	Parts No.	Description	Q'ty						I	R
				(A)	(B)	(C)	(D)	(E)	(F)		
1	1	121575-32090	PUMP ASSY, OIL	1	1	1	1				
2	1	121450-32021	GASKET, PUMP	1	1	1	1				
3	1	26116-060222	BOLT, M6X 22 PLATED	3	3						
3-1	1	26013-060222	BOLT, M6X 22	3	3	3	3				N
		(A=E# 89474) (B=E# 87991)									
4	1	22137-060000	WASHER, 6	3	3						Z
		(A=E# XXX) (B=E# XXX)									
5	1	171008-34801	DIPSTICK, OIL	1	1						
5-1	1	171008-34802	DIPSTICK, OIL	1	1	1	1				N
		(A=E# 96864) (B=E# 95541)									
6	1	124550-35110	ELEMENT	1	1						
6-1	1	124085-35111	FILTER, OIL	1	1	1	1				N
		(A=E# 98855) (B=E# A0744)									
7	1	124450-35110	O-RING	1	1	1	1				
8	1	124732-35090	PIPE ASSY, OIL INLET	1	1	1	1				
9	1	124450-35070	NUT, PF1/4	1	1	1	1				
10	1	124085-35300	VALVE ASSY, CONTROL	1	1	1	1				
12	2	24190-100001	BALL, STEEL 5/16	1	1	1	1				
13	2	121250-35320	SPRING, VALVE	1	1	1	1				
14	2	121250-35330	RETAINER, SPRING	1	1	1	1				
15	2	121250-35340	SHIM	1	1	1	1				
16	1	124085-35350	NUT, M20	1	1	1	1				
17	1	121550-39200	PIPE, OIL	1	1	1	1				
18	1	124450-39240	RETAINER, PIPE	1	1	1	1				
19	1	124160-39450	SWITCH, 0.5KG	1	1	1	1				
20	1	124160-39140	BOLT, PIPE JOINT M10	1	1	1	1				
21	1	23414-100000	GASKET, 10X1.0	2	2	2	2				
22	1	124550-59820	BOLT, PIPE JOINT M8	3	3	3	3				
23	1	23414-080000	GASKET, 8X1.0	6	6	6	6				

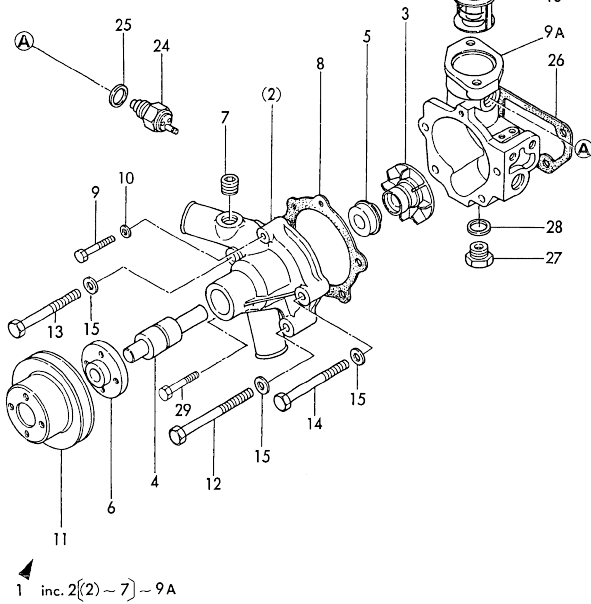
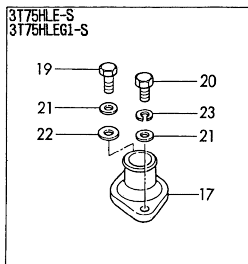
N:Old $\frac{100}{100}$ New, Q:Old $\frac{100}{100}$ New, R:Old $\frac{100}{100}$ New, S:Old $\frac{100}{100}$ New, W:Add, Z:Discontinued, F:Interchangeable by set, K:Q'ty Change
Copyright (C) YANMAR CO., LTD. All Rights Reserved.

Fig.37. COOLING WATER PUMP

(A)=3T75HLE
(B)=3T75HLE-S
(C)=3T75HLEG1

(D)=3T75HLEG1-S
(E)=
(F)=

Fig. 37 COOLING WATER PUMP

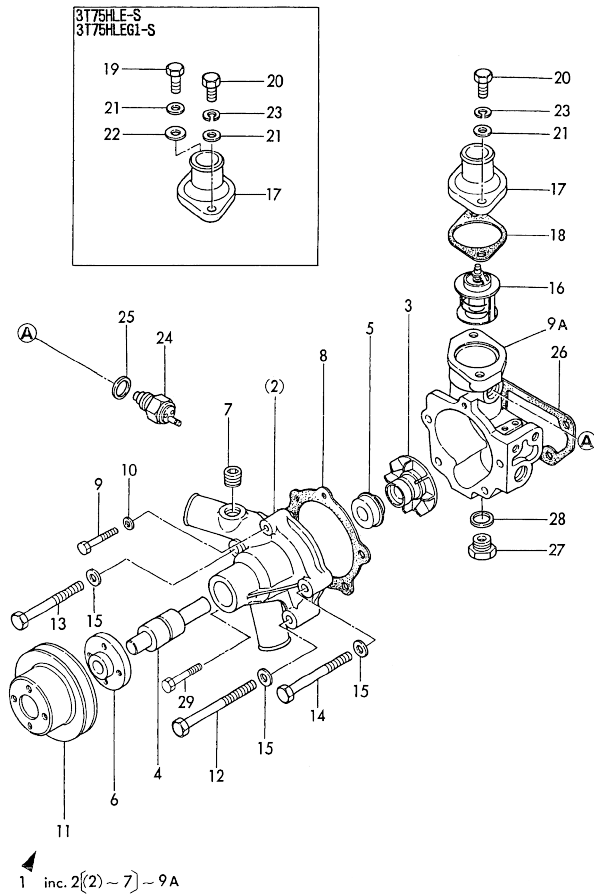


No.	Lev.	Parts No.	Description	Qty						I	R
				(A)	(B)	(C)	(D)	(E)	(F)		
1	1	121000-42010	PUMP ASSY, WATER	1	1	1	1				W
		(A=EXXX) (B=EXXX)									
2	2	121000-42100	PUMP ASSY, WATER	1	1	1	1				
3	3	129350-42200	IMPELLER	1	1	1	1				
4	3	121450-42240	BEARING, SHAFT	1	1	1	1				
5	3	121450-42310	SEAL, MECHANICAL	1	1	1	1				
6	3	121450-42260	FLANGE, V-PULLEY	1	1	1	1				
7	3	23873-030000	PLUG, R03	1	1						
7-1	3	23871-030000	PLUG, R03	1	1	1	1				N
		(A=EXXX) (B=EXXX)									
8	2	121000-42050	GASKET, WATER PUMP	1	1						
8-1	2	121000-42051	GASKET, WATER PUMP	1	1	1	1				N
		(A=E/# 89474) (B=E/# 87991)									
9	2	26116-060352	BOLT, M6X 35 PLATED	1	1						
9-1	2	26106-060322	BOLT, M6X 32 PLATED	1	1	1	1				N
		(A=E/# 89474) (B=E/# 87991)									
9A	2	121000-42120	BRACKET, PUMP	1	1	1	1				W
		(A=EXXX) (B=EXXX)									
10	1	22117-060000	WASHER, 6	1	1						Z
		(A=EXXX) (B=EXXX)									
11	1	121450-42350	V-PULLEY	1	1	1	1				
12	1	26116-081052	BOLT, M8X105 PLATED	1	1						
12-1	1	26106-081052	BOLT, M8X105 PLATED	1	1	1	1				N
		(A=E/# 89474) (B=E/# 87991)									
13	1	26116-080902	BOLT, M8X 90 PLATED	1	1						
13-1	1	26106-080872	BOLT M 8X 87 PLATED	1	1	1	1				N
		(A=E/# 89474) (B=E/# 87991)									
14	1	26116-080852	BOLT, M8X 85 PLATED	2	2						
14-1	1	26106-080822	BOLT M 8X 82 PLATED	2	2	2	2				N
		(A=E/# 89474) (B=E/# 87991)									
15	1	22117-080000	WASHER, 8	3	3						Z
		(A=EXXX) (B=EXXX)									
16	1	129350-49800	THERMOSTAT, 71	1	1	1	1				
17	1	129350-49530	COVER, THERMOSTAT	1	1	1	1				
18	1	129350-49540	GASKET	1	1						
18-1	1	129350-49541	GASKET	1	1	1	1				N
		(A=E/# 98855) (B=E/# A0744)									
19	1	26116-080282	BOLT, M8X 28 PLATED	1							
19-1	1	26106-080282	BOLT, M8X 28 PLATED	1		1					N
		(B=E/# 87991)									
20	1	26116-080222	BOLT, M8X 22 PLATED	2	1						
20A-1	1	26106-080182	BOLT, M8X 18 PLATED	2		2					N
		(A=E/# 89474)									
20B-1	1	26106-080222	BOLT, M8X 22 PLATED		1		1				N
		(B=E/# 87991)									
21	1	22117-080000	WASHER, 8	2	1						Z
		(A=EXXX) (B=EXXX)									
22	1	22157-080000	WASHER, 8		1		1				
23	1	22217-080000	WASHER, SPRING 8	2	1						Z
		(A=EXXX) (B=EXXX)									
24	1	121250-44901	SWITCH, 110	1	1	1	1				

N:Old $\frac{New}{Old}$ New, Q:Old $\frac{New}{Old}$ New, R:Old $\frac{New}{Old}$ New, S:Old $\frac{New}{Old}$ New, W:Add, Z:Discontinued, F:Interchangeable by set, K:Qty Change
 ++ CONTINUE ++
 Copyright (C) YANMAR CO., LTD. All Rights Reserved.

Fig.37. COOLING WATER PUMP

Fig. **37** COOLING WATER PUMP



(A)=3T75HLE
(B)=3T75HLE-S
(C)=3T75HLEG1

(D)=3T75HLEG1-S
(E)=
(F)=

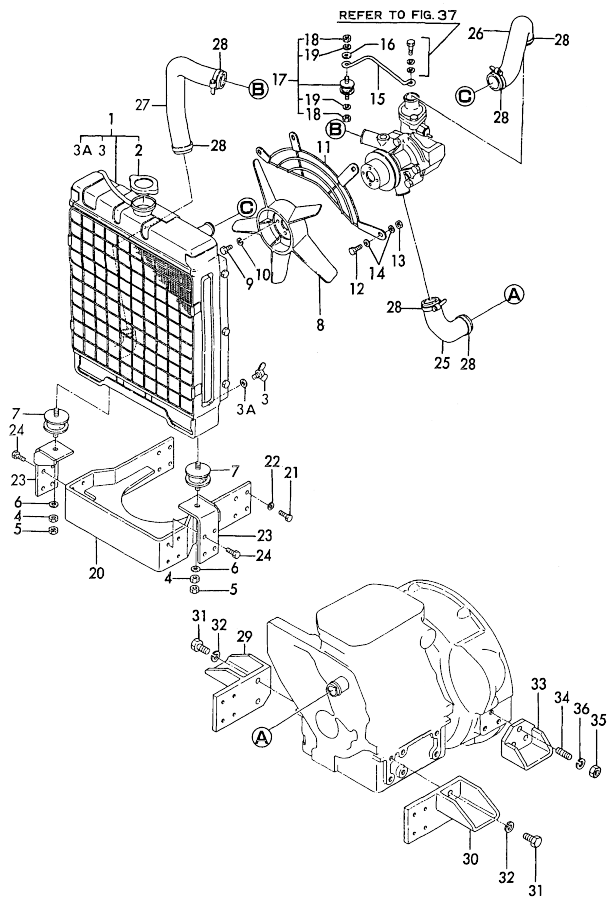
No.	Lev.	Parts No.	Description	Q'ty						I	R
				(A)	(B)	(C)	(D)	(E)	(F)		
25	1	124465-44950	GASKET, 16	1	1	1	1				
26	1	121450-44410	GASKET	1	1	1	1				
27	1	23883-160002	PLUG, 16	1	1						
27-1	1	121450-42450	PLUG, M16	1	1	1	1				N
		(A=E# 89474) (B=E# 87991)									
28	1	124465-44950	GASKET, 16	1	1	1	1				
29	1	26106-060322	BOLT, M6X 32 PLATED	1	1	1	1				W
		(A=E# 89474) (B=E# 87991)									

Fig.38. COOLING WATER SYSTEM

(A)=3T75HLE
(B)=3T75HLE-S
(C)=3T75HLEG1

(D)=3T75HLEG1-S
(E)=
(F)=

Fig. 38 COOLING WATER SYSTEM



No.	Lev.	Parts No.	Description	Q'ty						I	R
				(A)	(B)	(C)	(D)	(E)	(F)		
1	1	121005-44501	RADIATOR		1						
1-1	1	121005-44502 (B=E# 95541)	RADIATOR		1		1				N
2	2	124450-44590	CAP, RADIATOR		1						
2-1	2	123682-44210 (B=E#XXX)	CAP, RADIATOR		1		1				N
3	2	124550-44690	COCK, WATER		1						
3-1	2	124060-44510 (B=E#XXX)	COCK, DRAIN		1		1				N
3A	2	124060-44520 (B=E#XXX)	GASKET		1		1				W
4	1	26716-100002	NUT, M10		2						
4-1	1	26706-100002 (B=E# 87991)	NUT, M10		2		2				N
5	1	26756-100002	NUT, LOCK M10		2						
5-1	1	26796-100002 (B=E# 87991)	NUT, LOCK M10		2		2				N
6	1	22137-100000	WASHER, 10		2		2				
7	1	121400-44650	ABSORBER		2		2				
8	1	124700-44740	FAN, COOLING 5X310		1		1	1	1		
9	1	26116-060142	BOLT, M6X 14 PLATED		4		4				
9-1	1	26014-060162 (A=E# 89474) (B=E# 87991)	BOLT, M6X 16		4		4	4	4		N
10	1	22217-060000 (A=E#XXX) (B=E#XXX)	WASHER, SPRING 6		4		4				Z
11	1	121005-44511	NET, WIRE		1		1				
12	1	26116-080162	BOLT, M8X 16 PLATED		4						
12-1	1	26106-080162 (B=E# 87991)	BOLT, M8X 16 PLATED		4		4				N
13	1	26716-080002	NUT, M8		4						
13-1	1	26366-080002 (B=E# 87991)	NUT, M8		4		4				N
14	1	22137-080000 (B=E#XXX)	WASHER, 8		8						Z
15	1	121005-44620	SUPPORT, RADIATOR		1		1				
16	1	22157-080000	WASHER, 8		1		1				
17	1	121400-44640	ABSORBER		1		1				
18	2	26716-080002	NUT, M8		2						
18-1	2	26366-080002 (B=E# 94598)	NUT, M8		2		2				N
19	2	22217-080000	WASHER, SPRING 8		2		2				
20	1	121505-44951	BRACKET, RADIATOR		1		1				
21	1	26116-080252	BOLT, M8X 25 PLATED		8						
21-1	1	26014-080252 (B=E# 87991)	BOLT, M8X 25		8		8				N
22	1	22217-080000	WASHER, SPRING 8		8		8				
23	1	121400-44962	BRACKET, RADIATOR		2		2				
24	1	26116-080162	BOLT, M8X 16 PLATED		8						
24-1	1	26106-080162 (B=E# 87991)	BOLT, M8X 16 PLATED		8		8				N
25	1	121500-49030	PIPE, WATER		1		1	1	1		

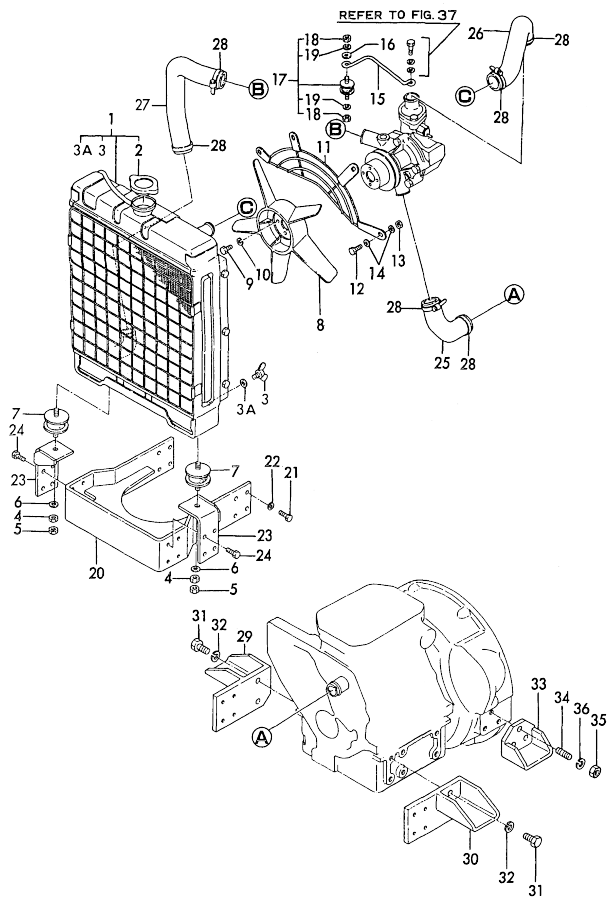
N:Old $\frac{New}{Old}$ New. Q:Old $\frac{New}{Old}$ New. R:Old $\frac{New}{Old}$ New. S:Old $\frac{New}{Old}$ New. W:Add. Z:Discontinued. F:Interchangeable by set. K:Q'ty Change
 ++ CONTINUE ++
 Copyright (C) YANMAR CO., LTD. All Rights Reserved.

Fig.38. COOLING WATER SYSTEM

(A)=3T75HLE
(B)=3T75HLE-S
(C)=3T75HLEG1

(D)=3T75HLEG1-S
(E)=
(F)=

Fig. **38** COOLING WATER SYSTEM

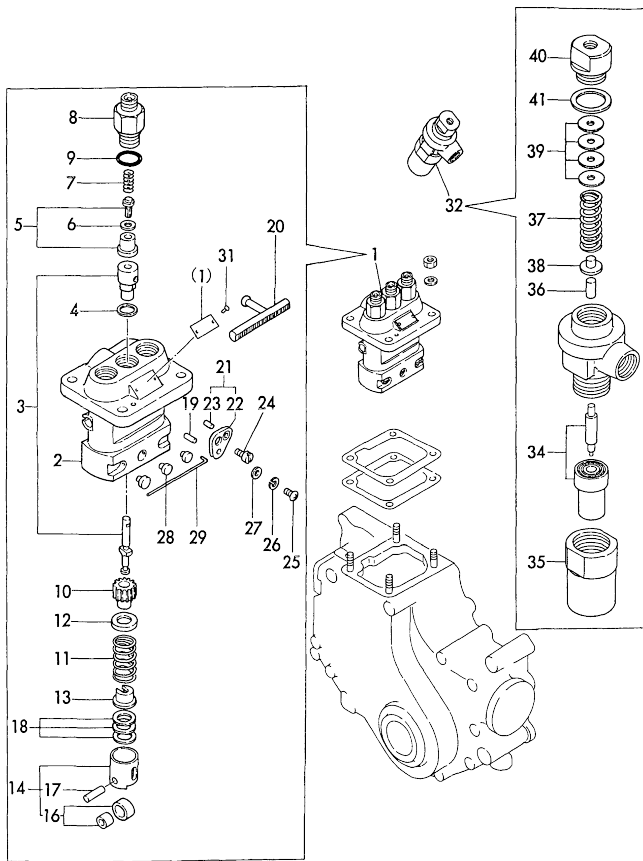


No.	Lev.	Parts No.	Description	Qty						I	R
				(A)	(B)	(C)	(D)	(E)	(F)		
26	1	121005-49010	PIPE, WATER	1							
27	1	121005-49020	PIPE, WATER	1							
27-1	1	121005-49023	PIPE, WATER	1			1				N
(B=E# 95541)											
28	1	23010-038000	CLAMP, 38	2	6	2	6				
29	1	121505-08100	FOOT	1			1				
30	1	121505-08110	FOOT	1			1				
31	1	26116-120252	BOLT, M12X 25 PLATED				4		4		
32	1	22217-120000	WASHER, SPRING 12				4		4		
33	1	121005-08120	FOOT				2		2		
34	1	26226-100252	STUD, M10X 25				6		6		
35	1	26716-100002	NUT, M10				6				
35-1	1	26706-100002	NUT, M10				6		6		N
(B=E# 87991)											
36	1	22217-100000	WASHER, SPRING 10				6		6		

N:Old $\frac{100}{100}$ New, Q:Old $\frac{100}{100}$ New, R:Old $\frac{100}{100}$ New, S:Old $\frac{100}{100}$ New, W:Add, Z:Discontinued, F:Interchangeable by set, K:Qty Change
Copyright (C) YANMAR CO., LTD. All Rights Reserved.

Fig.39. FUEL INJECTION PUMP

Fig. **39** FUEL INJECTION PUMP



(A)=3T75HLE
(B)=3T75HLE-S
(C)=3T75HLEG1

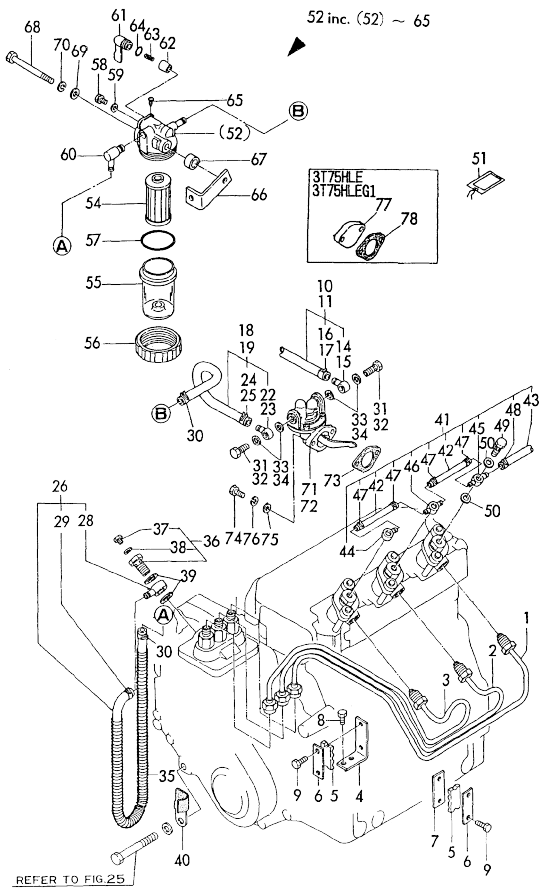
(D)=3T75HLEG1-S
(E)=
(F)=

No.	Lev.	Parts No.	Description	Qty						I	R
				(A)	(B)	(C)	(D)	(E)	(F)		
1	1	721522-51700	PUMP ASSY, INJECTION	1	1						
1A	1	721582-51100	PUMP ASSY, INJECTION				1	1			
2	2	121450-51010	BODY ASSY, PUMP	1	1						
3	2	121550-51100	PLUNGER ASSY, FUEL	3	3	3	3				
4	2	124950-51270	GASKET	3	3	3	3				
5	2	124060-51300	VALVE ASSY, DELIVERY	3	3						
5A	2	128170-51300	VALVE ASSY, DELIVERY				3	3			
6	2	124550-51350	GASKET, DELIVERY	3	3	3	3				
7	2	124550-51320	SPRING, DELIVERY	3	3	3	3				
8	2	124550-51341	HOLDER, DELIVERY L43	3	3	3	3				
9	2	124550-51370	O-RING	3	3	3	3				
10	2	124950-51510	PINION	3	3	3	3				
11	2	124950-51190	SPRING, PLUNGER	3	3	3	3				
12	2	174307-51170	RETAINER, SPRING A	3	3	3	3				
13	2	174307-51181	RETAINER, SPRING B	3	3	3	3				
14	2	724550-51520	GUIDE, PLUNGER	3	3	3	3				
16	3	711100-51540	ROLLER ASSY	3	3	3	3				
17	3	174100-54120	PIN, TAPPET ROLLER	3	3	3	3				
18	2	174307-51700	SHIM SET, PLUNGER	3	3	3	3				
19	2	103854-51251	PIN, PLUNGER	1	1	1	1				
20	2	121450-51500	RACK, CONTROL	1	1	1	1				
21	2	124950-51640	PLATE ASSY, ADJUST	2	2	2	2				
22	3	124950-51650	PLATE	2	2	2	2				
23	3	124950-51670	PIN	2	2	2	2				
24	2	103854-51660	SCREW	2	2	2	2				
25	2	26587-050102	SCREW, M5X10	2	2						
25-1	2	26033-050102	SCREW, M5X10	2	2	2	2				N
26	2	(A=E000) (B=E000) 22217-050000	WASHER, SPRING 5	2	2						Z
27	2	(A=E000) (B=E000) 22137-050000	WASHER, 5	2	2	2	2				
28	2	124950-51450	PIECE, GUIDE	3	3	3	3				
29	2	121150-51460	PIN, GUIDE	1	1	1	1				
31	2	124220-51890	RIVET	2	2	2	2				
32	1	721500-53100	VALVE ASSY, INJECTION	3	3	3	3				
34	2	124770-53000	VALVE ASSY, INJECTION	3	3	3	3				
35	2	104200-53080	NUT, NOZZLE	3	3	3	3				
36	2	113200-53110	SPINDLE, INTER	3	3	3	3				
37	2	104211-53120	SPRING, NOZZLE	3	3	3	3				
38	2	113200-53120	RETAINER, SPRING	3	3	3	3				
39	2	110250-53150	PLATE ASSY, ADJUST	3	3	3	3				
40	2	103854-53180	RETAINER, SPRING	3	3	3	3				
41	2	172100-53200	GASKET	3	3	3	3				

Fig.40. FUEL SYSTEM

(A)=3T75HLE
(D)=3T75HLEG1-S
(B)=3T75HLE-S
(E)=
(C)=3T75HLEG1
(F)=

Fig.40 FUEL SYSTEM



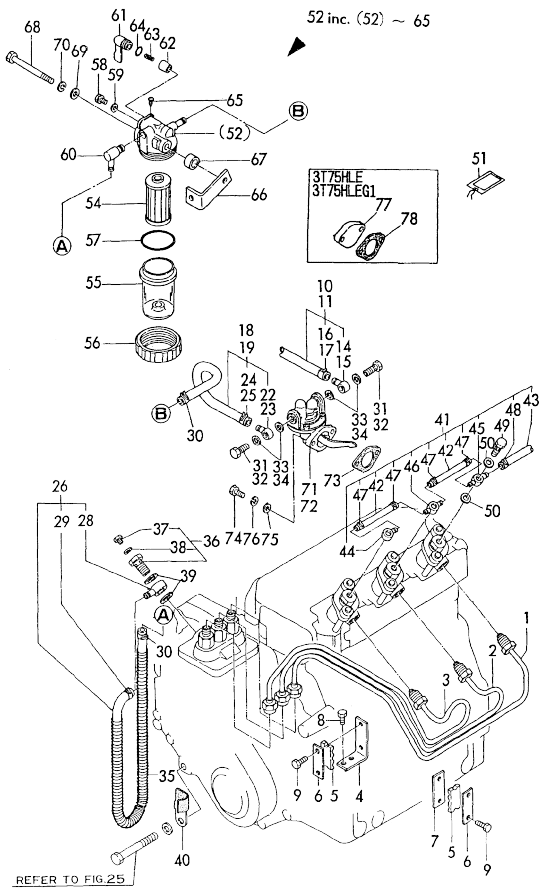
No.	Lev.	Parts No.	Description	Qty						I	R
				(A)	(B)	(C)	(D)	(E)	(F)		
1	1	121522-59810	PIPE ASSY, INJECTION	1	1	1	1				
2	1	121522-59820	PIPE ASSY, INJECTION	1	1	1	1				
3	1	121522-59830	PIPE ASSY, INJECTION	1	1	1	1				
4	1	121450-59850	BRACKET	1	1	1	1				
5	1	123325-59100	RETAINER, PIPE	2	2	2	2				
6	1	123325-59110	COVER	2	2	2	2				
7	1	121250-59860	BRACKET	1	1	1	1				
8	1	26116-060102	BOLT, M6X 10 PLATED	2	2	2	2				
9	1	26116-060162	BOLT, M6X 16 PLATED	4	4						
9-1	1	121465-59950	BOLT, M6X16	4	4	4	4				N
		(A=E/# 89474) (B=E/# 87991)									
10	1	121000-59010	PIPE ASSY, FUEL		1		1				
11	1	121000-59010	PIPE ASSY, FUEL	1							Z
		(A=E/XXX)									
14	2	104264-59030	JOINT, PIPE 8		1		1				
15	2	104264-59030	JOINT, PIPE 8	1							Z
		(A=E/XXX)									
16	2	124766-59050	CLIP, HOSE 12		1		1				
17	2	124766-59050	CLIP, HOSE 12	1							Z
		(A=E/XXX)									
18	1	121000-59020	PIPE ASSY, FUEL		1						
18-1	1	124000-59020	PIPE ASSY, FUEL	1			1				N
		(B=E/# 93970)									
19	1	121000-59020	PIPE ASSY, FUEL	1							Z
		(A=E/XXX)									
22	2	104264-59030	JOINT, PIPE 8		1		1				
23	2	104264-59030	JOINT, PIPE 8	1							Z
		(A=E/XXX)									
24	2	124766-59050	CLIP, HOSE 12		1		1				
25	2	124766-59050	CLIP, HOSE 12	1							Z
		(A=E/XXX)									
26	1	121462-59010	PIPE ASSY, FUEL	1	1						
26-1	1	121462-59011	PIPE ASSY, FUEL	1	1	1	1				N
		(A=E/# 89474) (B=E/# 87991)									
28	2	124250-59260	JOINT, PIPE 12	1	1						
28-1	2	101304-59020	JOINT, PIPE 12	1	1	1	1				N
		(A=E/# 98855) (B=E/# A0744)									
29	2	124766-59050	CLIP, HOSE 12	1	1	1	1				
30	1	124766-59050	CLIP, HOSE 12	2	2	2	2				
31	1	105582-59150	BOLT, PIPE JOINT	2	2		2				Z
32	1	105582-59150	BOLT, PIPE JOINT	2							Z
		(A=E/XXX)									
33	1	23414-080012	GASKET, 8X1.0		4		4				
34	1	23414-080012	GASKET, 8X1.0	4							Z
		(A=E/XXX)									
35	1	106100-59060	SPRING, PROTECTE	1	1	1	1				
36	1	103854-59191	BOLT ASSY, JOINT M12	1	1	1	1				W
		(A=E/# 89474) (B=E/# 87991)									
37	2	124060-59380	PLUG, 6	1	1	1	1				
38	2	43400-500390	SEAL WASHER 6	1	1	1	1				
39	1	104200-59170	GASKET, 12	2	2	2	2				

N:Old $\frac{New}{Old}$ New, Q:Old $\frac{New}{Old}$ New, R:Old $\frac{New}{Old}$ New, S:Old $\frac{New}{Old}$ New, W:Add, Z:Discontinued, F:Interchangeable by set, K:Qty Change
 ++ CONTINUE ++
 Copyright (C) YANMAR CO., LTD. All Rights Reserved.

Fig.40. FUEL SYSTEM

(A)=3T75HLE
(D)=3T75HLEG1-S
(B)=3T75HLE-S
(E)=
(C)=3T75HLEG1
(F)=

Fig.40 FUEL SYSTEM

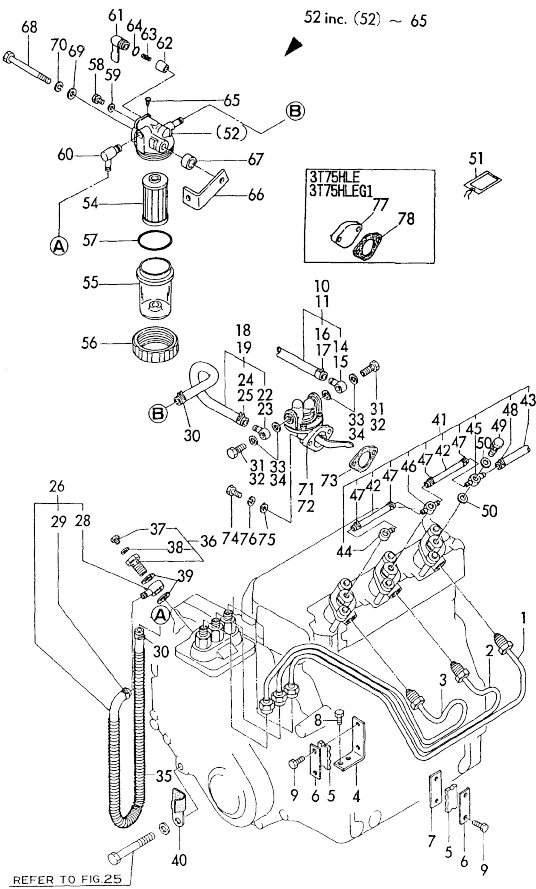


No.	Lev.	Parts No.	Description	Q'ty						I	R
				(A)	(B)	(C)	(D)	(E)	(F)		
40	1	121000-59920	CLAMP, PIPE	1	1						
40-1	1	124160-01650	CLAMP, PIPE	1	1	1	1				N
		(A=E# 96864) (B=E# 95719)									
41	1	121000-59501	PIPE ASSY, RETURN	1	1	1	1				
42	2	121450-59550	PIPE, FUEL D8X80	2	2	2	2				
43	2	124736-77700	PIPE, FUEL	1	1	1	1				
44	2	121750-59090	JOINT, PIPE 8	1	1	1	1				
45	2	124550-59030	JOINT, PIPE 8	1	1	1	1				
46	2	124550-59090	JOINT, PIPE 8	1	1	1	1				
47	2	124066-59100	CLIP, HOSE 8	4	4	4	4				
48	2	124060-77680	CLIP, HOSE 10	1	1	1	1				
49	1	101147-59810	BOLT, PIPE JOINT M8	3	3	3	3				
50	1	23414-080012	GASKET, 8X1.0	6	6	6	6				
51	1	126630-07350	LABEL, DRAIN COCK	1	1						
51-1	1	123682-07850	LABEL, CAUTION	1	1	1	1				N
		(A=E# 89474) (B=E# 87991)									
52	1	121027-55600	FILTER ASSY, FUEL	1	1	1	1				
54	2	104500-55710	ELEMENT	1	1	1	1				
55	2	104500-55510	CUP	1	1	1	1				
56	2	110250-55610	RING, RETAINING	1	1	1	1				
57	2	102103-55520	O-RING	1	1	1	1				
58	2	101720-55750	PLUG, 6	2	2	2	2				
59	2	23418-060000	GASKET, 6X1.0	2	2	2	2				
60	2	106152-55730	JOINT	1	1	1	1				
61	2	104200-55341	HANDLE	1	1	1	1				
62	2	104200-55321	VALVE, TAPER	1	1	1	1				
63	2	104200-55330	SPRING, VALVE	1	1	1	1				
64	2	24311-240100	O-RING, 1AP10A	1	1	1	1				
65	2	104200-55750	SCREW, M4	1	1	1	1				
66	1	171008-55612	BRACKET, STRAINER	1	1	1	1				
67	1	124060-44710	SPACER	1	1	1	1				
68	1	26116-080752	BOLT, M8X 75 PLATED	1	1						
68-1	1	26106-080602	BOLT, M8X 60 PLATED	1	1	1	1				N
		(A=E# 89474) (B=E# 87991)									
69	1	22117-080000	WASHER, 8	1	1						Z
		(A=EXXXX) (B=EXXXX)									
70	1	22217-080000	WASHER, SPRING 8	1	1						Z
		(A=EXXXX) (B=EXXXX)									
71	1	121256-52020	PUMP ASSY, FUEL FEED			1	1				
72	1	121256-52020	PUMP ASSY, FUEL FEED	1							Z
		(A=EXXXX)									
73	1	121400-01850	GASKET	1	1	1	1				
73-1	1	121520-01850	GASKET	1	1						R
73-2	1	121520-01851	GASKET			1	1				N
		(B=E# A0744)									
74	1	26116-060182	BOLT, M6X 18 PLATED	2	2	2	2				
74A-1	1	26106-060142	BOLT, M6X 14 PLATED	2	2	2	2				N
		(A=E# 89474)									
74B-1	1	26014-060182	BOLT, M6X 18			2	2				N
		(B=E# 87991)									
75	1	22117-060000	WASHER, 6	2	2	2	2				

N:Old $\frac{100}{100}$ New, Q:Old $\frac{100}{100}$ New, R:Old $\frac{100}{100}$ New, S:Old $\frac{100}{100}$ New, W:Add, Z:Discontinued, F:Interchangeable by set, K:Q'ty Change
 ++ CONTINUE ++
 Copyright (C) YANMAR CO., LTD. All Rights Reserved.

Fig.40. FUEL SYSTEM

Fig.40 FUEL SYSTEM



(A)=3T75HLE
(B)=3T75HLE-S
(C)=3T75HLEG1

(D)=3T75HLEG1-S
(E)=
(F)=

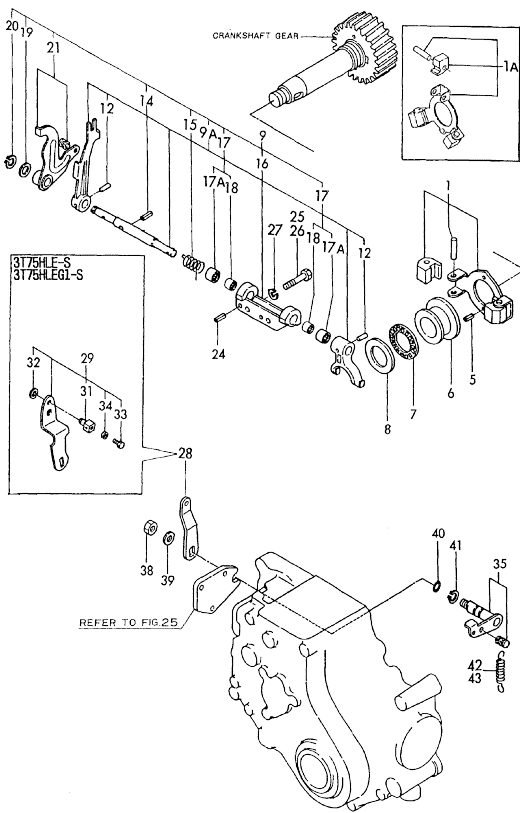
No.	Lev.	Parts No.	Description	Q'ty						I	R
				(A)	(B)	(C)	(D)	(E)	(F)		
76	1	22217-060000	WASHER, SPRING 6	2	2	2	2				
77	1	121520-01860	COVER	1		1					
78	1	121520-01851	GASKET	1		1					W

(A=E# 98855)

(A)=3T75HLE
 (B)=3T75HLE-S
 (C)=3T75HLEG1

(D)=3T75HLEG1-S
 (E)=
 (F)=

Fig.41 GOVERNOR



No.	Lev.	Parts No.	Description	Q'ty						I	R
				(A)	(B)	(C)	(D)	(E)	(F)		
31	2	124756-67510	(B=E)RETAINER		1						Z
32	2	22272-000070	(B=E)RING, E- 7		1						Z
33	2	26116-040148	(B=E)BOLT M 4X 14		1						Z
34	2	26756-040002	(B=E)NUT, LOCK M4		1						Z
35	1	121000-66090	LEVER ASSY,REGULATOR	1	1	1	1				
38	1	26116-080002	NUT M 8	1	1						
38-1	1	26366-080002	NUT, M8	1	1	1	1				N
39	1	22117-080000	(A=E)WASHER, 8	1	1	1	1				Z
40	1	24311-000090	O-RING, 1AP9.0	1	1	1	1				
41	1	22242-000120	RING, 12	1	1	1	1				
42	1	121000-66011	SPRING, REGULATOR	1	1						
43	1	171016-66010	SPRING, REGULATOR			1	1				

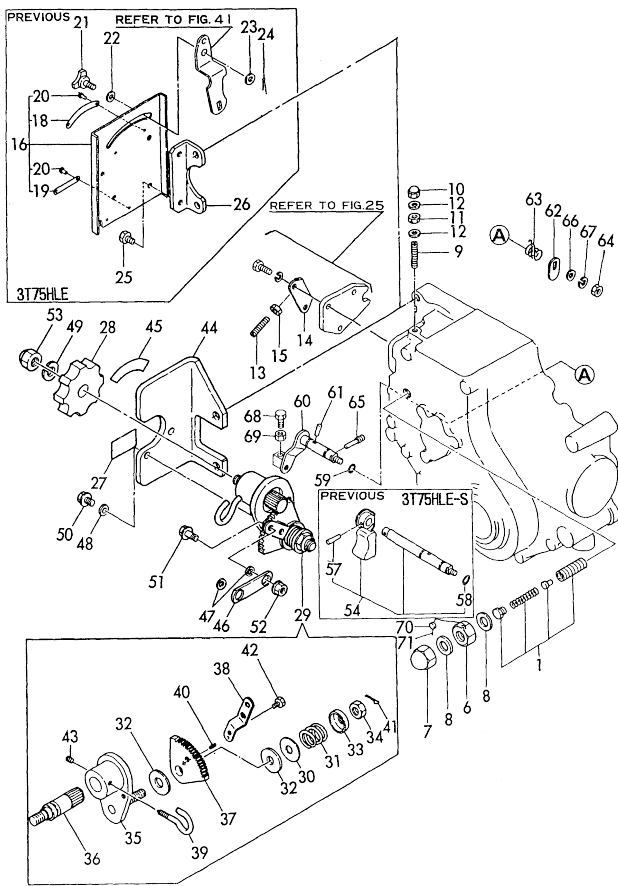
Remarks
 (1) INTERCHANGEABLE BY SIMULTANEOUS
 REPLACEMENT WITH NO.9-1,17A AND
 18.

Fig.42. CONTROLLER DEVICE

(A)=3T75HLE
(B)=3T75HLE-S
(C)=3T75HLEG1

(D)=3T75HLEG1-S
(E)=
(F)=

Fig.42 CONTROLLER DEVICE



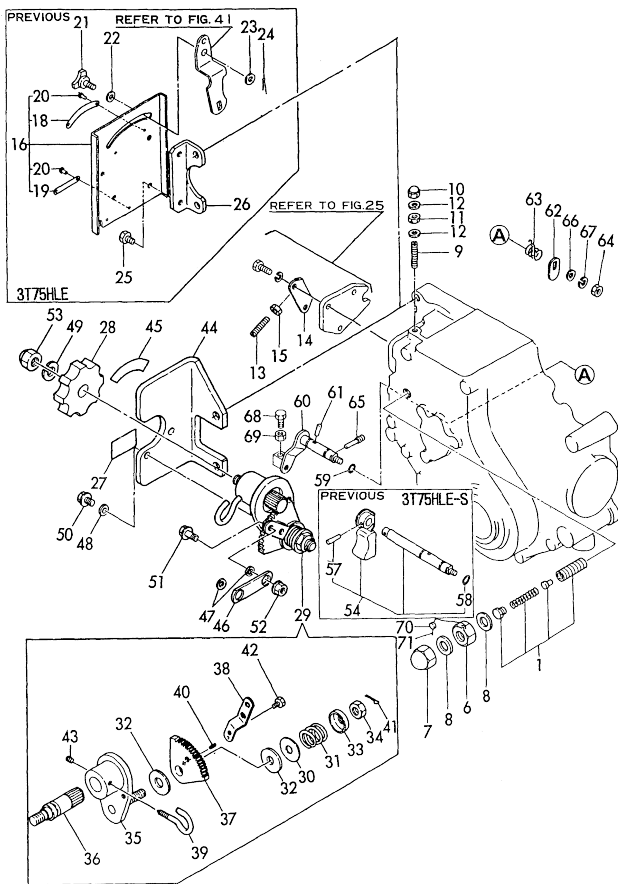
No.	Lev.	Parts No.	Description	Qty						I	R
				(A)	(B)	(C)	(D)	(E)	(F)		
1	1	121500-66550	LIMITER ASSY, FUEL	1	1						
1-1	1	121500-66551	LIMITER ASSY, FUEL	1	1						S
1-2	1	171004-66550	LIMITER ASSY, FUEL	1	1	1	1				N
6	1	121000-66600	NUT	1	1						
6-1	1	26776-120002	NUT, LOCK M12	1	1	1	1				S
7	1	26686-140002	NUT, CAP M14	1	1						
7A-1	1	26687-120002	NUT, CAP M12	1	1	1					N
7B-1	1	26686-120002	NUT, CAP M12		1		1				N
8	1	43400-500470	SEAL WASHER 14		2	2					
8-1	1	43400-500450	SEAL WASHER 12		2	2	2	2			S
9	1	121575-66830	SCREW	1	1						
9-1	1	121575-66800	SCREW	1	1	1	1				N
10	1	26666-060002	NUT, CAP M6	1	1	1	1				
11	1	124550-66370	NUT, M6	1	1	1	1				
12	1	43400-500400	SEAL WASHER 6		2	2	2	2			
13	1	121575-66800	SCREW	1	1	1	1				W
14	1	121575-66850	RETAINER	1	1	1	1				W
15	1	26756-060002	NUT, LOCK M6	1	1	1	1				W
16	1	121005-66190	BRACKET		1						Z
18	2	121005-66130	LEBEL, INDICATION		1						Z
19	2	121005-66140	LABEL, STOP		1						Z
20	2	22625-140040	RIVET 1.4X 4		4						Z
21	1	101158-66210	KNOB		1						Z
22	1	22137-080000	WASHER, 8		1						Z
23	1	22117-060000	WASHER, 6		1						Z
24	1	22417-120100	PIN, COTTER 1.2X10		1						Z
25	1	26116-060102	BOLT, M6X 10 PLATED		4						Z
26	1	121005-66110	BRACKET, RADIATOR		1						Z
27	1	171010-65100	LABEL		1	1					W
28	1	126650-66020	HANDLE, REGULATOR		1	1					W
29	1	171048-67010	CONTROLLER ASSY		1	1					W

N:Old $\frac{100}{100}$ New, Q:Old $\frac{10}{100}$ New, R:Old $\frac{100}{100}$ New, S:Old $\frac{10}{100}$ New, W:Add, Z:Discontinued, F:Interchangeable by set, K:Qty Change
 ++ CONTINUE ++
 Copyright (C) YANMAR CO., LTD. All Rights Reserved.

(A)=3T75HLE
(B)=3T75HLE-S
(C)=3T75HLEG1

(D)=3T75HLEG1-S
(E)=
(F)=

Fig.42 CONTROLLER DEVICE



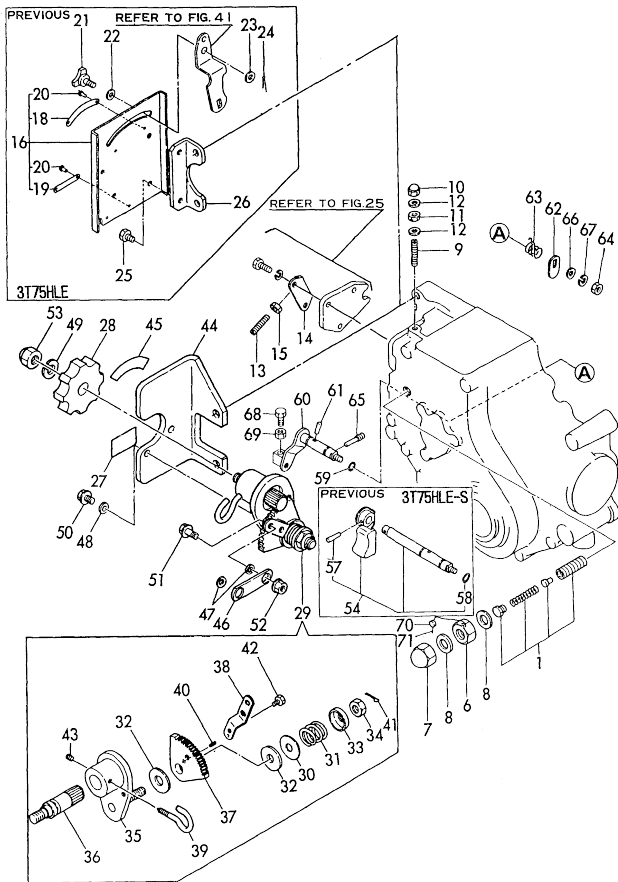
No.	Lev.	Parts No.	Description	Q'ty						I	R
				(A)	(B)	(C)	(D)	(E)	(F)		
30	2	171102-66080 (B=E# 93970)	WASHER		1		1				W
31	2	104200-66820 (B=E# 93970)	SPRING		1		1				W
32	2	104200-66830 (B=E# 93970)	PLATE, FRICTION		2		2				W
33	2	104200-66850 (B=E# 93970)	WASHER		1		1				W
34	2	104200-66860 (B=E# 93970)	NUT		1		1				W
35	2	171085-67100 (B=E# 93970)	BRACKET		1		1				W
36	2	171085-67110 (B=E# 93970)	SHAFT, DRIVE		1		1				W
37	2	171085-67120 (B=E# 93970)	GEAR		1		1				W
38	2	171048-67130 (B=E# 93970)	LEVER		1		1				W
39	2	171048-67140 (B=E# A0744)	STOPPER		1		1				W
40	2	22351-020006 (B=E# 93970)	PIN, SPRING 2.0X 6		1		1				W
41	2	22411-200150 (B=E# 93970)	COTTER PIN 2.0X 15		1		1				W
42	2	26116-060082 (B=E# 93970)	BOLT, M6X 8 PLATED		1		1				W
43	2	26921-050122 (B=E# A0655)	SCREW, M5X12		1		1				W
44	1	171084-67200 (B=E# 93970)	SUPPORT		1		1				W
45	1	170064-67210 (B=E# 93970)	LABEL, HANDLE		1		1				W
46	1	171084-67210 (B=E# 93970)	LINK		1		1				W
47	1	171084-67220 (B=E# 93970)	COLLAR		2		2				W
48	1	22117-100000 (B=E# 93970)	WASHER, 10		1		1				W
49	1	22217-100000 (B=E# 93970)	WASHER, SPRING 10		1		1				W
50	1	26106-060102 (B=E# 93970)	BOLT, M6X 10 PLATED		2		2				W
51	1	26106-060142 (B=E# 93970)	BOLT, M6X 14 PLATED		2		2				W
52	1	26366-060002 (B=E# 93970)	NUT, M6		2		2				W
53	1	26657-100002 (B=E# 93970)	NUT, CAP M10		1		1				W
54	1	121005-66500	LEVER ASSY. STOP		1						N
54-1	1	121575-66520 (B=E# 93970)	LEVER ASSY. ENG.STOP		1		1				N

N:Old $\frac{100}{100}$ New, Q:Old $\frac{10}{100}$ New, R:Old $\frac{100}{100}$ New, S:Old $\frac{10}{100}$ New, W:Add, Z:Discontinued, F:Interchangeable by set, K:Q'ty Change
 ++ CONTINUE ++
 Copyright (C) YANMAR CO., LTD. All Rights Reserved.

(A)=3T75HLE
(B)=3T75HLE-S
(C)=3T75HLEG1

(D)=3T75HLEG1-S
(E)=
(F)=

Fig.42 CONTROLLER DEVICE



No.	Lev.	Parts No.	Description	Q'ty						I	R
				(A)	(B)	(C)	(D)	(E)	(F)		
57	2	22322-030180 (B=E=XXX)	PIN, TAPER 3X18		1						Z
58	2	24311-000070 (B=E=XXX)	O-RING, 1AP7.0		1						Z
59	1	24311-000070 (B=E# 93970)	O-RING, 1AP7.0	1	1	1	1				W
60	1	121575-66510	LEVER ASSY, STOP	1		1					
61	1	22322-030160	PIN, TAPER 3X16	1	1	1	1				
62	1	121575-66550	CAM	1	1	1	1				
63	1	121575-66580	SPRING, RETURN	1	1	1	1				
64	1	26716-060002	NUT, M6	1	1	1					
64-1	1	26366-060002 (B=E# 93970)	NUT, M6		1		1				N
65	1	124250-03640	SCREW	1	1	1	1				
66	1	22117-060000	WASHER, 6	1	1	1					Z
67	1	22217-060000 (B=E=XXX)	WASHER, SPRING 6	1	1	1					Z
68	1	26116-050128 (A=E# 89474)	BOLT, M5X 12 PLATED	1		1					W
69	1	26756-050002 (A=E# 89474)	NUT, LOCK M5	1		1					W
70	1	135210-61090 (A=E=XXX)	LEAD	1		1					W
71	1	22451-060000 (A=E# 89474)	WIRE, 0.6	1		1					W

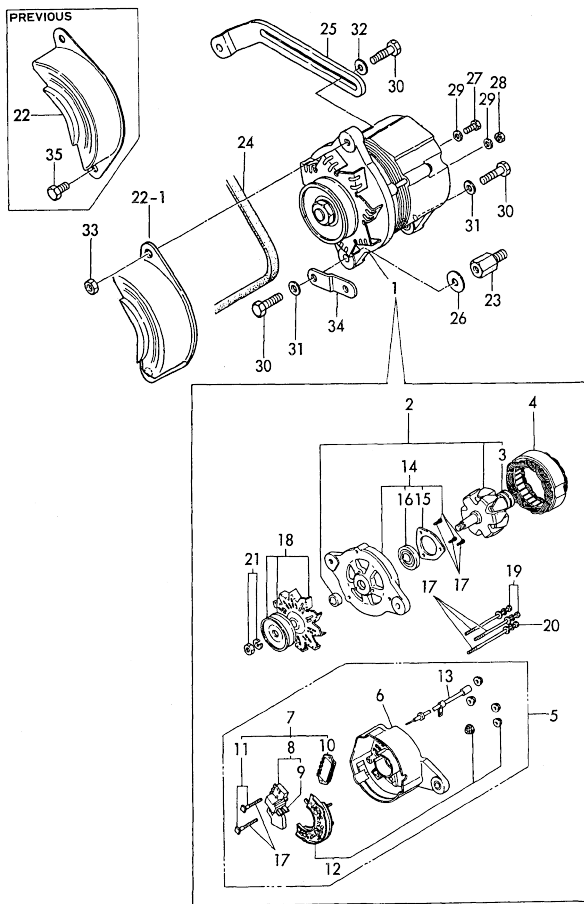
N:Old $\frac{100}{100}$ New, Q:Old $\frac{100}{100}$ New, R:Old $\frac{100}{100}$ New, S:Old $\frac{100}{100}$ New, W:Add, Z:Discontinued, F:Interchangeable by set, K:Q'ty Change
Copyright (C) YANMAR CO., LTD. All Rights Reserved.

Fig.44. GENERATOR

(A)=3T75HLE
(B)=3T75HLE-S
(C)=3T75HLEG1

(D)=3T75HLEG1-S
(E)=
(F)=

Fig.44 GENERATOR



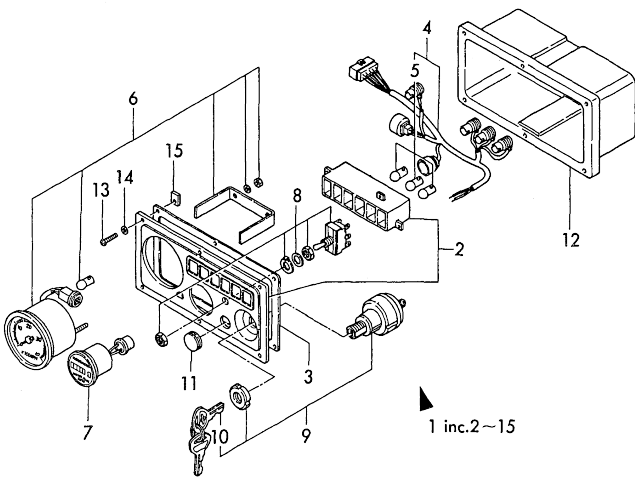
No.	Lev.	Parts No.	Description	Q'ty						I	R
				(A)	(B)	(C)	(D)	(E)	(F)		
1	1	121400-77200	GENERATOR, 12V-20A	1	1						
1-1	1	121400-77201	GENERATOR, LR120-15C	1	1	1	1				R
		(A=E# 89474) (B=E# 87991)									
2	2	XL12031001	ROTOR ASSY	1	1	1	1				
3	3	124080-77490	BALL BEARING	1	1	1	1				
4	2	XL1209200	STATOR ASSY	1	1	1	1				
5	2	124080-77330	COVER ASSY	1	1	1	1				
6	3	124080-77340	COVER, REAR	1	1	1	1				
7	3	124080-77350	BRUSH ASSY,REGULATOR	1	1	1	1				
8	4	124080-77360	BRUSH ASSY	1	1	1	1				
9	4	124080-77380	BRUSH	2	2	2	2				
10	4	124080-77390	REGULATOR ASSY	1	1	1	1				
11	4	124080-77520	BOLT M5	2	2	2	2				
12	3	124080-77400	DIODE ASSY	1	1	1	1				
13	3	124080-77530	WIRE ASSY, LEAD	1	1	1	1				
14	2	124080-77420	COVER ASSY	1	1	1	1				
15	3	124080-77430	RETAINER, BEARING	1	1	1	1				
16	3	124080-77480	BEARING, 6202DDU	1	1	1	1				
17	3	124080-77500	SCREW KIT	1	1	1	1				
18	2	124080-77440	PULLEY ASSY	1	1	1	1				
19	2	124080-77450	BOLT, THROUGH	2	2	2	2				
20	2	124080-77460	BOLT, THROUGH	1	1	1	1				
21	2	124080-77470	NUT ASSY, PULLEY	1	1	1	1				
22	1	121250-77210	COVER, GENERATOR	1	1						
22-1	1	129795-77210	COVER	1	1	1	1				N
		(A=E# 89474) (B=E# 87991)									
23	1	121000-77250	SPACER, GENERATOR	1	1						
23-1	1	121000-77251	SPACER, GENERATOR	1	1	1	1				N
		(A=E# 89474) (B=E# 87991)									
24	1	124001-42290	V-BELT, 36	1	1	1	1				
25	1	121000-77332	ADJUSTER	1	1						
25-1	1	171054-77330	ADJUSTER	1	1	1	1				R
		(A=E# 89474) (B=E# 87991)									
26	1	124250-77390	SHIM	1	1	1	1				
27	1	26116-050102	BOLT, M5X 10 PLATED								
28	1	26716-050002	NUT, M5								
29	1	22117-050000	WASHER, 5				2				
30	1	26116-080302	BOLT, M8X 30 PLATED				3				
30-1	1	26014-080352	BOLT, M8X 35				3				N
		(A=E# 89474) (B=E# 87991)									
31	1	22117-080000	WASHER, 8				2				Z
		(A=E# 89474) (B=E# 87991)									
32	1	22137-080000	WASHER, 8				1				Z
		(A=E# 89474) (B=E# 87991)									
33	1	26756-080002	NUT, LOCK M8				1				
33-1	1	26366-080002	NUT, M8				1				N
		(A=E# 89474) (B=E# 87991)									
34	1	121000-77220	SUPPORT				1				Z
		(A=E# 89474) (B=E# 87991)									
35	1	26116-080162	BOLT, M8X 16 PLATED				1				Z
		(A=E# 89474) (B=E# 87991)									

N:Old $\frac{100}{100}$ New, Q:Old $\frac{100}{100}$ New, R:Old $\frac{100}{100}$ New, S:Old $\frac{100}{100}$ New, W:Add, Z:Discontinued, F:Interchangeable by set, K:Q'ty Change
Copyright (C) YANMAR CO., LTD. All Rights Reserved.

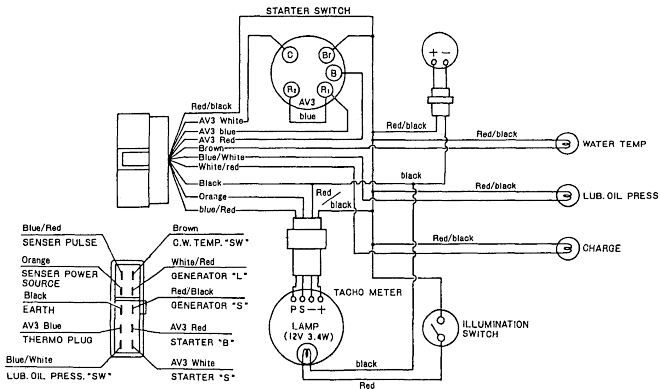
Fig.45. INSTRUMENT PANEL

(A)=3T75HLE
(D)=3T75HLEG1-S
(B)=3T75HLE-S
(E)=
(C)=3T75HLEG1
(F)=

Fig.45 INSTRUMENT PANEL



No.	Lev.	Parts No.	Description	Q'ty					
				(A)	(B)	(C)	(D)	(E)	(F)
1	1	121100-91011	PANEL ASSY	1	1				
2	2	121100-91050	BODY, PANEL	1	1				
3	2	128170-91020	GASKET	1	1				
4	2	121100-91030	HARNES, WIRE	1	1				
5	3	46150-001110	BULB(12V3W/G11.BA9S)	3	3				
6	2	121100-91101	TACHOMETER	1	1				
7	2	121100-91110	METER, HOUR	1	1				
8	2	121100-91120	SWITCH	1	1				
9	2	121400-91251	SWITCH, STARTER	1	1				
10	3	121400-91271	KEY, SWITCH	1	1				
11	2	121100-91060	PLUG	1	1				
12	2	121100-91070	BOX	1	1				
13	2	128170-91810	SCREW, M5X35	6	6				
14	2	128170-91820	WASHER, 5	6	6				
15	2	128170-91830	NUT, M5	6	6				



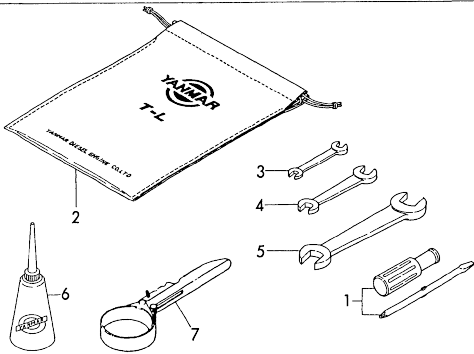
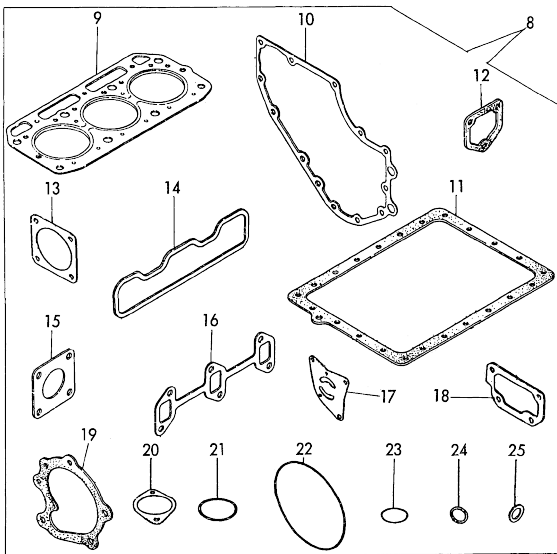
N:Old $\frac{100}{100}$ New, Q:Old $\frac{100}{100}$ New, R:Old $\frac{100}{100}$ New, S:Old $\frac{100}{100}$ New, W:Add, Z:Discontinued, F:Interchangeable by set, K:Q'ty Change
Copyright (C) YANMAR CO., LTD. All Rights Reserved.

Fig.46. GASKET SET(OPTIONAL) & TOOL

(A)=3T75HLE
(B)=3T75HLE-S
(C)=3T75HLEG1

(D)=3T75HLEG1-S
(E)=
(F)=

Fig.46 GASKET (OPTIONAL) & TOOL



No.	Lev.	Parts No.	Description	Q'ty						I	R
				(A)	(B)	(C)	(D)	(E)	(F)		
1	1	104200-92350	DRIVER, SCREW	1	1	1	1				
2	1	121400-92690	BAG, TOOL	1	1						
2-1	1	104200-92600	BOX, TOOL	1	1	1	1				N
(A=E# 98855) (B=E# A0744)											
3	1	28110-100130	SPANNER, 10X13	1	1						
3-1	1	28110-100120	SPANNER, 10X12	1	1	1	1				S
(A=E# 98855) (B=E# A0744)											
4	1	28110-170190	SPANNER, 17X19	1	1						
4-1	1	28110-140170	SPANNER, 14X17	1	1	1	1				S
(A=E# 98855) (B=E# A0744)											
5	1	28110-220240	SPANNER, 22X24	1	1						
5-1	1	28110-190220	SPANNER, 19X22	1	1	1	1				S
(A=E# 98855) (B=E# A0744)											
6	1	28210-000140	OILER	1	1	1	1				
7	1	127610-92750	WRENCH, FILTER	1	1	1	1				W
(A=E# 98855) (B=E# A0744)											
8	1	721500-92600	GASKET SET	1	1	1	1				
9	2	121550-01331	GASKET, HEAD	1	1	1	1				
10	2	121575-01511	GASKET, GEAR CASE	1	1	1	1				
11	2	121575-01751	GASKET, OIL SUMP	1	1	1	1				
12	2	121575-01861	GASKET	1	1	1	1				
13	2	124240-01883	GASKET	1	1	1	1				
14	2	121551-12710	GASKET, MANIFOLD	1	1	1	1				
15	2	121000-13201	GASKET, SILENCER	1	1	1	1				
16	2	121550-13521	GASKET	1	1	1	1				
17	2	121450-32021	GASKET, PUMP	1	1	1	1				
18	2	121450-44410	GASKET	1	1	1	1				
19	2	121000-42051	GASKET, WATER PUMP	1	1	1	1				
20	2	129350-49541	GASKET	1	1	1	1				
21	2	102103-55520	O-RING	1	1	1	1				
22	2	24341-001350	O-RING, 1AS135.0	1	1	1	1				
23	2	24341-000400	O-RING, 1AS40.0	1	1	1	1				
24	2	121550-11451	GASKET, CHAMBER	4	4	4	4				
25	2	124465-44950	GASKET, 16	1	1	1	1				

Parts No. Index

Parts No.	Fig. No.	Ref. No.
101147-11900	8	34
	31	38
101147-59810	17	47
	40	49
101158-11190	8	9 -1
	31	9 -1
101158-11230	8	43
		48
	31	47
		52
101158-66210	19	21
	42	21
101304-59020	17	27 -1
	40	28 -1
101720-55750	17	56
	40	58
102103-55520	17	55
	23	21
	40	57
	46	21
102210-07990	7	5
	30	5
103854-11490	8	38 A
	31	42 A
103854-51251	16	19
	39	19
103854-51660	16	24
	39	24
103854-53180	16	40
	39	40
103854-59191	17	35
	40	36
103954-13200	10	13
	33	13
104200-14200	11	6
	34	7
104200-22300	12	28
	35	28
104200-53080	16	35
	39	35
104200-55321	17	60
	40	62
104200-55330	17	61
	40	63
104200-55341	17	59
	40	61
104200-55750	17	63
	40	65
104200-59170	17	38
	40	39

Parts No.	Fig. No.	Ref. No.
104200-66820	19	31
	42	31
104200-66830	19	32
	42	32
104200-66850	19	33
	42	33
104200-66860	19	34
	42	34
104200-92350	23	1
	46	1
104200-92600	23	2 -1
	46	2 -1
104211-11100	8	3
	31	3
104211-11180	8	8
	31	8
104211-11370	8	11
	31	11
104211-42130	18	19
	41	19
104211-53120	16	37
	39	37
104264-59030	17	13
		14
		21
		22
	40	14
		15
		22
		23
104500-55510	17	53
	40	55
104500-55710	17	52
	40	54
105225-01900	1	14
	24	14
105225-02300	5	12
	28	12
105225-11350	8	12
	31	12
105425-01690	4	4
	27	4
105582-59150	17	30
		31
	40	31
		32
106100-59060	17	34
	40	35
106152-55730	17	58
	40	60

Parts No.	Fig. No.	Ref. No.
110250-53150	16	39
	39	39
110250-55610	17	54
	40	56
113200-53110	16	36
	39	36
113200-53120	16	38
	39	38
119620-11801	8	7
	31	7
121000-01850	2	7
	25	8
121000-11050	8	17
	31	17
121000-13200	10	27
	33	27
121000-13201	10	27 -1
	23	15
	33	27 -1
	46	15
121000-14110	11	10
	34	11
121000-21230	12	15
	35	15
121000-21500	12	16
	35	16
121000-42010	14	1
	37	1
121000-42050	14	8
	37	8
121000-42051	14	8 -1
	23	19
	37	8 -1
	46	19
121000-42100	14	2
	37	2
121000-42120	14	9 A
	37	9 A
121000-49030	15	25
121000-59010	17	9
		10
	40	10
		11
121000-59020	40	18
		19
121000-59501	40	41
121000-59920	17	39
	40	40
121000-61010	18	9 A
	41	9 A

Parts No.	Fig. No.	Ref. No.
121000-61100	18	1
	41	1
121000-61101	18	1 -1
	41	1 -1
121000-61160	18	21 -1
	41	21 -1
121000-61180	18	19 -1
	41	19 -1
121000-61190	18	20 -1
	41	20 -1
121000-61600	18	6
	41	6
121000-61620	18	16 -1
	41	16 -1
121000-61660	18	18
	41	18
121000-66011	18	42
	41	42
121000-66090	18	35
	41	35
121000-66600	19	6
	42	6
121000-77220	21	34
	44	34
121000-77250	21	23
	44	23
121000-77251	21	23 -1
	44	23 -1
121000-77332	21	25
	44	25
121005-01950	2	11
	25	12
121005-08120	15	33
	38	33
121005-12600	7	8
	30	8
121005-44501	38	1
121005-44502	38	1 -1
121005-44511	15	11
	38	11
121005-44620	15	15
	38	15
121005-49010	15	26
	38	26
121005-49020	15	27
	38	27
121005-49023	15	27 -1
	38	27 -1
121005-66000	18	29
	41	29

Parts No. Index

Parts No.	Fig. No.	Ref. No.
121005-66110	19	26
	42	26
121005-66130	19	18
	42	18
121005-66140	19	19
	42	19
121005-66190	19	16
	42	16
121005-66500	19	54
	42	54
121005-77910	20	24
	43	33
121005-91401	2	23
	25	24
121005-91402	2	23 -1
	25	24 -1
121023-01550	2	21
	25	22
121023-12570	9	10
	32	10
121027-55600	17	50
	40	52
121086-13530	10	17
	33	17
121100-13490	10	1
	33	1
121100-21450	12	18
	35	18
121100-77920	20	25
	43	34
121100-91011	22	1
	45	1
121100-91030	22	4
	45	4
121100-91050	22	2
	45	2
121100-91060	22	11
	45	11
121100-91070	22	12
	45	12
121100-91101	22	6
	45	6
121100-91110	22	7
	45	7
121100-91120	22	8
	45	8
121111-21500	12	16 -1
	35	16 -1
121111-21501	35	16 -2
121111-24501	12	16 -2

Parts No.	Fig. No.	Ref. No.
121120-12560	32	6
121120-12570	32	7
121150-51460	39	29
121250-01710	6	5
	8	20
		52
	10	18
	29	5
	31	20
		56
	33	18
121250-02070	5	11 -1
	28	11 -1
		16 -1
121250-35320	13	13
	36	13
121250-35330	13	14
	36	14
121250-35340	13	15
	36	15
121250-44901	14	25
	37	24
121250-59860	17	6
	40	7
121250-77210	21	22
	44	22
121256-52020	17	69
		70
	40	71
		72
121400-01640	4	4 -1
	27	4 -1
121400-01850	17	71
	40	73
121400-44640	15	17
	38	17
121400-44650	15	7
	38	7
121400-44900	7	10
	30	10
121400-44910	7	9
	30	9
121400-44962	15	23
	38	23
121400-77200	21	1
	44	1
121400-77201	21	1 -1
	44	1 -1
121400-91251	22	9
	45	9

Parts No.	Fig. No.	Ref. No.
121400-91271	22	10
	45	10
121400-92690	23	2
	46	2
121450-01210	1	4
	24	4
121450-01220	1	5
	24	5
121450-01231	1	25
	24	25
121450-01560	2	4
	25	4
121450-01801	2	13
	25	14
121450-01951	25	13
121450-01990	1	8
121450-03011	24	8
	6	1
121450-03012	29	1
	6	1 -1
	29	1 -1
121450-11260	8	27
	31	31
		31 -1
121450-11270	8	28
	31	32
121450-11550	8	24
	31	24
		27
121450-11620	8	40 -1
	31	44 -1
121450-11640	8	45 -1
	31	49 -1
121450-11670	8	18
	31	18
121450-11680	8	19
	31	19
121450-11681	8	19 -1
	31	19 -1
121450-12500	9	1
121450-12530	9	4
121450-14090	34	5
121450-14120	11	10 -1
	34	4
121450-21540	12	7
	35	7
121450-21541	12	7 -1
	35	7 -1
121450-32021	13	2
	23	17

Parts No.	Fig. No.	Ref. No.
121450-32021	36	2
	46	17
121450-42240	14	4
	37	4
121450-42260	14	6
	37	6
121450-42310	14	5
	37	5
121450-42350	14	11
	37	11
121450-42450	14	28 -1
	37	27 -1
121450-44410	14	27
	23	18
	37	26
	46	18
121450-51010	39	2
121450-51500	39	20
121450-59500	17	41
121450-59550	40	42
121450-59850	17	3
	40	4
121462-59010	17	25
	40	26
121462-59011	17	25 -1
	40	26 -1
121464-12500	9	1 -1
121465-11950	8	16 -1
	31	16 -1
121465-13582	10	25 -1
	33	25 -1
121465-59950	17	8 -1
	40	9 -1
121500-01100	1	6
	24	6
121500-03200	29	7
121500-11110	8	4
	31	4
121500-11300	29	9
121500-12701	32	17
121500-12730	32	17 -2
121500-12790	9	19
	32	19
121500-21590	35	10
121500-22090	12	22
	35	22
121500-49030	15	25 -1
	38	25
121500-61001	18	9 -2
	41	9 -2

Parts No. Index

Parts No.	Fig. No.	Ref. No.
124080-77330	21	5
	44	5
124080-77340	21	6
	44	6
124080-77350	21	7
	44	7
124080-77360	21	8
	44	8
124080-77380	21	9
	44	9
124080-77390	21	10
	44	10
124080-77400	21	12
	44	12
124080-77420	21	14
	44	14
124080-77430	21	15
	44	15
124080-77440	21	18
	44	18
124080-77450	21	19
	44	19
124080-77460	21	20
	44	20
124080-77470	21	21
	44	21
124080-77480	21	16
	44	16
124080-77490	21	3
	44	3
124080-77500	21	17
	44	17
124080-77520	21	11
	44	11
124080-77530	21	13
	44	13
124082-14090	11	4 A
124085-01880	1	12
	24	12
124085-01900	1	14 -1
	24	14 -1
124085-35111	13	6 -1
	36	6 -1
124085-35300	13	10
	36	10
124085-35350	13	16
	36	16
124085-51500	16	20
124160-01650	17	39 -1
	40	40 -1

Parts No.	Fig. No.	Ref. No.
124160-01751	6	13
	29	13
124160-01910	4	3
	27	3
124160-11360	6	11
	29	11
124160-39140	13	20
	36	20
124160-39450	13	19
	36	19
124160-49480	1	11
	24	11
124220-51890	7	7
	16	31
	30	7
	39	31
124240-01871	1	18
	24	18
124240-01882	1	19
	24	19
124240-01883	1	19 -1
	23	13
	24	19 -1
	46	13
124250-03640	19	65
	42	65
124250-59260	17	27
	40	28
124250-77012	43	1
124250-77070	43	2
124250-77110	43	6
124250-77120	43	7
124250-77130	43	8
124250-77140	43	9
124250-77150	43	10
124250-77160	43	11
124250-77170	43	12
124250-77180	43	13
124250-77190	43	14
124250-77210	43	16
124250-77220	43	17
124250-77230	43	18
124250-77240	43	19
124250-77270	43	22
124250-77310	43	26
124250-77320	43	27
124250-77390	21	26
	44	26
124250-77500	43	28
124250-77510	43	29

Parts No.	Fig. No.	Ref. No.
124250-77520	43	15
124450-01610	3	3
	26	3
124450-11320	9	21
	32	21
124450-35070	13	9
	36	9
124450-35110	13	7
	36	7
124450-39240	13	18
	36	18
124450-44590	15	2
	38	2
124450-77010	20	1
124465-44950	14	26
	29	
	23	25
	37	25
	46	25
124500-01330	1	26
124500-01331	1	26 -1
	23	9
124500-01750	4	12
	23	11
124500-01950	1	27
	24	27
124500-03200	6	7
124500-11240	8	29
124500-11300	6	9
124500-11310	6	10
124500-12701	9	17
124500-12710	9	20
	23	14
124500-12730	9	17 -2
124500-13520	10	24
	23	16
124500-21590	12	10
124500-39200	13	17
124500-59810	17	1
124500-59820	17	2
124505-12210	9	15
124505-12580	9	8
124505-21590	12	11
124505-21650	12	8
124520-11300	6	9 -1
124520-11310	6	10 -1
124550-35110	13	6
	36	6
124550-44690	15	3

Parts No.	Fig. No.	Ref. No.
124550-44690	38	3
124550-51320	16	7
	39	7
124550-51341	16	8
	39	8
124550-51350	16	6
	39	6
124550-51370	16	9
	39	9
124550-59030	17	44
	40	45
124550-59090	40	46
124550-59820	13	22
	36	22
124550-66370	19	11
	42	11
124550-77030	20	23
	43	32
124700-44740	15	8
	38	8
124732-13550	10	14
	33	14
124732-35090	36	8
124736-07900	8	50 -1
		51
	31	55
124736-77700	17	42
	40	43
124756-12510	32	3
124756-67510	18	31
	41	31
124764-77090	43	35
124766-59050	17	15
		16
		23
		24
		28
		29
	40	16
		17
		24
		25
		29
		30
124768-12500	32	1
124768-12530	32	4 -1
124768-12540	32	5 -1
124770-53000	16	34
	39	34
124950-01951	2	12

Parts No. Index

Parts No.	Fig. No.	Ref. No.
124950-11340	8	10
	31	10
124950-51010	16	2
124950-51170	16	12
124950-51190	16	11
	39	11
124950-51270	16	4
	39	4
124950-51450	16	28
	39	28
124950-51510	16	10
	39	10
124950-51640	16	21
	39	21
124950-51650	16	22
	39	22
124950-51670	16	23
	39	23
126630-07350	17	49
	40	51
126650-66020	19	28
	42	28
127610-92750	23	7
	46	7
128170-51300	39	5 A
128170-91020	22	3
	45	3
128170-91810	22	13
	45	13
128170-91820	22	14
	45	14
128170-91830	22	15
	45	15
128275-11490	8	38
	31	42
128370-01800	1	13 -1
	24	13 -1
128670-03020	6	2
	29	2
128670-03030	6	3
	29	3
128670-03040	6	4
	29	4
128670-11310	29	10
128695-11410	8	36
	31	40
128695-11500	8	39
	31	43
129350-01230	1	17
	24	17

Parts No.	Fig. No.	Ref. No.
129350-01600	3	1
	26	1
129350-12530	32	4
129350-12540	32	5
129350-14100	11	5
	34	6
129350-21200	12	6
	35	6
129350-21600	12	14
	35	14
129350-42200	14	3
	37	3
129350-49530	14	18
	37	17
129350-49540	14	19
	37	18
129350-49541	14	19 -1
	23	20
	37	18 -1
	46	20
129350-49800	14	17
	37	16
129795-77210	21	22 -1
	44	22 -1
135210-61090	19	70
	42	70
170064-67210	19	45
	42	45
171004-66550	19	1 -2
	42	1 -2
171008-03201	6	7 -1
171008-03202	6	7 -2
	29	7 -1
171008-03203	6	7 -3
	29	7 -2
171008-03990	6	8 -1
	29	8 -1
171008-34801	13	5
	36	5
171008-34802	13	5 -1
	36	5 -1
171008-55612	17	64
	40	66
171010-65100	19	27
	42	27
171016-61100	18	1 A
	41	1 A
171016-66010	18	43
	41	43
171048-67010	19	29

Parts No.	Fig. No.	Ref. No.
171048-67010	42	29
171048-67130	19	38
	42	38
171048-67140	19	39
	42	39
171051-01921	1	9 -1
	24	9 -1
171054-77330	21	25 -1
	44	25 -1
171084-67200	19	44
	42	44
171084-67210	19	46
	42	46
171084-67220	19	47
	42	47
171085-67100	19	35
	42	35
171085-67110	19	36
	42	36
171085-67120	19	37
	42	37
171102-66080	19	30
	42	30
172100-22400	12	29
	35	29
172100-53200	16	41
	39	41
174100-54120	16	17
	39	17
174307-51170	16	12 -1
	39	12
174307-51181	16	13
	39	13
174307-51460	16	29
174307-51700	16	18
	39	18
194990-22050	8	25 -1
	25	5 -1
	31	28 -1
22117-050000	21	29
	44	29
22117-060000	2	26
	4	7
		10
	14	10
	17	73
	19	23
		66
	25	27
	27	7

Parts No.	Fig. No.	Ref. No.
22117-060000	27	10
	37	10
	40	75
	42	23
		66
22117-080000	1	22
	2	20
	9	23
	12	20
	14	15
		22
	17	67
	18	39
	21	31
	24	22
	25	21
	35	20
	37	15
		21
	40	69
	41	39
	44	31
22117-100000	3	8
	19	48
	26	8
	42	48
22137-050000	16	27
	39	27
22137-060000	13	4
	36	4
22137-080000	8	22
	9	12
	15	14
	19	22
	21	32
	31	22
		26
	32	12
	38	14
	42	22
	44	32
22137-100000	8	14
	15	6
	31	14
	38	6
22157-080000	14	23
	15	16
		16 -1
	37	22
	38	16

Parts No. Index

Parts No.	Fig. No.	Ref. No.
22217-040000	10	11
	33	11
22217-050000	16	26
	39	26
22217-060000	2	10
	4	8
		11
	10	9
	15	10
	17	74
	18	27
	19	67
	25	11
	27	8
		11
	33	9
	38	10
	40	76
	41	27
	42	67
22217-080000	1	23
	2	6 -1
	5	7
	8	26
	9	14
	10	23
		26
	12	21
	14	24
	15	19
		22
	17	68
	24	23
	25	6 -1
	28	7
	31	29
	32	14
	33	23
		26
	35	21
	37	23
	38	19
		22
	40	70
22217-100000	10	16
	15	36
	19	49
	33	16
	38	36
	42	49

Parts No.	Fig. No.	Ref. No.
22217-120000	15	32
	38	32
22242-000100	18	20
	41	20
22242-000120	18	41
	41	41
22242-000140	8	32
	31	36
22272-000070	18	32
	41	32
22312-040008	18	5 -1
	41	5 -1
22312-080160	1	16
	12	4
	24	16
	35	4
22322-030160	19	61
	42	61
22322-030180	19	57
	42	57
22322-030200	18	12
	41	12
22351-020006	19	40
	42	40
22351-030012	18	14
	41	14
22351-040008	18	5
		24
	41	5
		24
22351-040010	25	7
22351-060012	1	17 A
	24	17 A
22411-200150	19	41
	42	41
22417-120100	19	24
	42	24
22451-060000	19	71
	42	71
22512-070180	12	5
	35	5
22512-070300	11	3
	34	3
22625-140040	19	20
	42	20
23000-060000	9	16
	32	16
23010-025000	6	8
	29	8
23010-038000	15	28

Parts No.	Fig. No.	Ref. No.
23010-038000	38	28
23042-080035	10	6
	33	6
23414-080000	13	23
	36	23
23414-080012	17	32
		33
		48
	40	33
		34
		50
23414-100000	13	21
	36	21
23418-060000	17	57
	40	59
23871-020000	31	30 -1
23871-030000	8	23 -1
	14	7 -1
	31	23 -1
	37	7 -1
23873-020000	31	30
23873-030000	8	23
	14	7
	31	23
	37	7
23883-160002	14	28
	37	27
24101-062054	11	8
	34	9
24101-063050	2	15
	25	16
24107-062054	12	17
	35	17
24190-080001	12	3 -1
	35	3 -1
24190-100001	13	12
	36	12
24311-000070	19	58
		59
	42	58
		59
24311-000090	18	40
	41	40
24311-000100	1	15 -1
	24	15 -1
24311-000120	6	12 -1
	29	12 -1
24311-000180	4	5 -1
	27	5 -1
24311-000320	6	14 -1

Parts No.	Fig. No.	Ref. No.
24311-000320	29	14 -1
24311-240100	17	62
	40	64
24314-000100	1	15
	24	15
24314-000120	6	12
	29	12
24321-000350	6	14
	29	14
24341-000240	2	22 -1
	25	23 -1
24341-000260	2	22
	25	23
24341-000400	6	6
	23	23
	29	6
	46	23
24341-001350	5	5
	23	22
	28	5
	46	22
26013-060162	10	7 -1
	33	7 -1
26013-060222	13	3 -1
	36	3 -1
26013-060302	18	25 -1
	41	25 -1
26013-080202	5	6 -1
	28	6 -1
26013-080222	35	19 -1
26013-080352	32	13 -1
26014-060162	15	9 -1
	38	9 -1
26014-060182	17	72 A-1
	40	74 B-1
26014-060202	4	6 -1
	27	6 -1
26014-060652	4	9 -1
	27	9 -1
26014-080252	38	21 -1
26014-080352	21	30 -1
	44	30 -1
26033-050102	16	25 -1
	39	25 -1
26106-060102	19	50
	42	50
26106-060122	2	9 -1
	25	10 -1
26106-060142	17	72 B-1
	19	51

Parts No. Index

Parts No.	Fig. No.	Ref. No.
26106-060142	40	74 A-1
	42	51
26106-060302	18	26
	41	26
26106-060322	14	9 -1
	16	
	37	9 -1
	29	
	43	31
26106-080122	8	21 -1
	31	21 -1
26106-080142	6	5 -1
	8	52 -1
	9	11 -1
	10	18 -1
	29	5 -1
	31	56 -1
	33	18 -1
26106-080162	15	12 -1
	32	11 -1
	38	12 -1
		24 -1
26106-080182	12	19 -1
	14	21 -1A
	37	20 A-1
26106-080222	14	21 -1B
	37	20 B-1
26106-080252	15	21 -1
26106-080282	14	20 -1
	37	19 -1
26106-080322	2	18 -1
		19 -1
	9	13 -1
	25	20 -1
26106-080352	25	19 -1
26106-080382	9	22 -1
26106-080602	17	66 -1
	40	68 -1
26106-080822	14	14 -1
	37	14 -1
26106-080852	2	17 -1
	25	18 -1
26106-080872	14	13 -1
	37	13 -1
26106-081052	14	12 -1
	37	12 -1
26106-081152	25	17 -1
26116-040148	18	33
	41	33
26116-050102	21	27

Parts No.	Fig. No.	Ref. No.
26116-050102	44	27
26116-050128	19	68
	42	68
26116-060082	19	42
	42	42
26116-060102	17	7
	19	25
	40	8
	42	25
26116-060142	2	9
	15	9
	25	10
	38	9
26116-060162	10	7
	17	8
	33	7
	40	9
26116-060182	17	72
	40	74
26116-060202	4	6
	27	6
26116-060222	13	3
	36	3
26116-060302	18	25
	41	25
26116-060322	20	22
26116-060352	14	9
	37	9
26116-060652	4	9
	27	9
26116-080002	18	38
	41	38
26116-080122	8	21
	31	21
26116-080162	9	11
	15	12
		24 -1
		21 35
		32 11
		38 12
		24
	44	35
26116-080202	5	6
	28	6
26116-080222	12	19
	14	21
	35	19
	37	20
26116-080252	15	21

Parts No.	Fig. No.	Ref. No.
26116-080252	38	21
26116-080282	14	20
	37	19
26116-080302	9	13
	21	30
	32	13
	44	30
26116-080322	2	19
	25	20
26116-080352	2	18
	25	19
26116-080402	9	22
26116-080582	10	25
	33	25
26116-080752	17	66
	40	68
26116-080852	2	17
	14	14
	25	18
	37	14
26116-080902	14	13
	37	13
26116-081052	14	12
	37	12
26116-081152	2	16
	25	17
26116-100222	3	6
	26	6
26116-100302	3	7
	26	7
26116-120252	15	31
	38	31
26206-100222	3	6 -1
	26	6 -1
26206-100282	3	7 -1
	26	7 -1
26216-060142	2	24
	25	25
26216-080222	1	20
	10	21
	24	20
	33	21
26216-080702	8	15
	31	15
26216-120252	3	4
	26	4
26226-100252	15	34
	38	34
26366-060002	2	25 -1
	10	8 -1

Parts No.	Fig. No.	Ref. No.
26366-060002	19	52
		64 -1
	25	26 -1
	33	8 -1
	42	52
		64 -1
26366-080002	1	21 -1
	2	5 -1
	8	16 A
	10	22 -1
	15	13 -1
		18 -1
	18	38 -1
	21	33 -1
	24	21 -1
	31	16 A
		25 -1
	33	22 -1
	38	13 -1
		18 -1
	41	38 -1
	44	33 -1
26557-040122	20	20
26557-040452	10	10
	33	10
26587-050102	16	25
	39	25
26587-080102	11	9
	34	10
26587-080122	11	9 -1
	34	10 -1
26606-100002	10	15 -1
	33	15 -1
26657-100002	19	53
	42	53
26666-060002	19	10
	42	10
26686-120002	19	7 A-1
	42	7 B-1
26686-140002	19	7
	42	7
26687-120002	19	7 B-1
	42	7 A-1
26696-100002	8	13 -1
	31	13 -1
26706-100002	15	4 -1
		35 -1
	38	4 -1
		35 -1
26716-040002	10	12

Parts No. Index

Parts No.	Fig. No.	Ref. No.
26716-040002	33	12
26716-050002	21	28
	44	28
26716-060002	2	25
	10	8
	19	64
	25	26
	33	8
	42	64
26716-080002	1	21
	2	5
	8	16
		25
	10	22
	15	13
		18
	24	21
	25	5
	31	16
		25
		28
	33	22
	38	13
		18
26716-100002	15	4
		35
	38	4
		35
26716-120002	3	5
	26	5
26736-100002	10	15
	33	15
26756-040002	18	34
	41	34
26756-050002	19	69
	42	69
26756-060002	19	15
	42	15
26756-080002	8	44
		49
	21	33
	31	48
		53
	44	33
26756-100002	15	5
	38	5
26776-100002	8	13
	31	13
26776-120002	19	6 -1
	42	6 -1

Parts No.	Fig. No.	Ref. No.
26776-180002	12	9
	35	9
26796-100002	15	5 -1
	38	5 -1
26921-050122	19	43
	42	43
26921-080102	8	33
	31	37
27221-060140	12	3
	35	3
27241-300000	1	7 -1
	24	7 -1
27243-300000	1	7
	24	7
27310-070001	8	9
	31	9
28110-100120	23	3 -1
	46	3 -1
28110-100130	23	3
	46	3
28110-140170	23	4 -1
	46	4 -1
28110-170190	23	4
	46	4
28110-190220	23	5 -1
	46	5 -1
28110-220240	23	5
	46	5
28210-000140	23	6
	46	6
43400-500140	2	6
	25	6
43400-500390	17	37
	40	38
43400-500400	19	12
	42	12
43400-500450	19	8 -1
	42	8 -1
43400-500470	19	8
	42	8
43400-500490	4	5
	27	5
43600-500290	1	13
	24	13
46150-001110	22	5
	45	5
711100-51540	16	16
	39	16
721000-01610	25	1
721000-01611	25	1 -1

Parts No.	Fig. No.	Ref. No.
721100-13570	10	3
	33	3
721450-11650	8	40
	31	44
721450-11660	8	45
	31	49
721500-01540	27	1
721500-01560	24	1
721500-01561	24	1 -1
721500-01562	24	1 -2
721500-01563	24	1 -3
721500-12750	32	17 -1
721500-21700	35	1
721500-22500	12	24
	35	24
721500-53100	16	32
	39	32
721500-61560	18	9
	41	9
721500-61561	18	9 -1
	41	9 -1
721500-92600	46	8
721522-13500	33	19
721522-51700	39	1
721550-02500	5	1
	28	1
721550-02610	5	8
	28	8
721550-02620	28	13
721550-02800	5	10
	28	10
721550-02810	28	15
721550-02820	28	19
721550-02830	5	14
	28	18
721550-14580	34	1 -1
721550-23100	12	30
	35	30
721550-23600	12	34
	35	34
721580-11700	31	1
721580-14580	34	1
721582-51100	39	1 A
724000-01611	2	1
724000-01612	2	1 -1
724500-01540	4	1
724500-01560	1	1
724500-01561	1	1 -1
724500-01562	1	1 -2
724500-01563	1	1 -3

Parts No.	Fig. No.	Ref. No.
724500-12750	9	17 -1
724500-13500	10	19
724500-21700	12	1
724500-51700	16	1
724500-92600	23	8
724520-14580	11	1 -1
724550-51520	16	14
	39	14
724580-11700	8	1
724580-14580	11	1
724582-51100	16	1 A
X21141360	20	10
X211423001	20	8
X21143454	20	13
X21143963	20	21
X211445002	20	14
X21145312	20	6
X21145313	20	11
X21145314	20	12
X21145352	20	9
X21145661	20	16
X211457001	20	18
X21146815	20	19
X21147155	20	4
X21147215	20	7
X21148110	20	3
X211482001	20	5
X211486003	20	15
X21148652	20	17
X211491001	20	2
XL12031001	21	2
	44	2
XL1209200	21	4
	44	4