

0CD10-M78300EN

# PREFACE

1. This parts catalog is the Second edition of 4TNV106-NTB for Takeuchi Mfg. Co., Ltd.
2. This parts catalog does not contain the technical data needed for maintenance service.
3. The illustrations used in this parts catalog have been simplified for clarity.

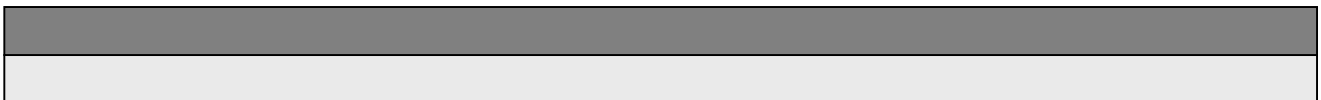
Pub. No.: 000Y00D7830

Published: March., 2003

#### 4. Model name

Engine model	Vehicle		Vehicle made by
	Products	Model name	
4TNV106-NTB	CRAWLER CARRIER	TCR50 C50R	Takeuchi Mfg. Co., Ltd.

5. The contents of this parts catalog are subject to change without prior notice.



## Directions for the Parts Catalog.

1. This Parts Catalog shows both standard and optional parts.
2. Parts may change without prior notice.
3. The following is an example of the Parts Catalog format.

REF.	LEV.	PARTS NO.	DESCRIPTION	Q'TY						I	R
				(A)	(B)	(C)	(D)	(E)	(F)		
1	1	729595-51390	FUEL INJECTION PUMP	1	1	1	1	1			1
1-1	1	729595-51391	FUEL INJECTION PUMP	1	1	1	1	1		N	1
		(A=E00185) (B=E00200)									
3	2	26022-060162	SCREW M 6X 16	9	9	9	9	9			
3-1	2	26022-060162	SCREW M 6X 16	4	4	4	4	4		K	
		(A=E00156) (B=E00156) (C=E00156) (D=E00156) (E=E00156)									
4	2	129470-51040	CAMSHAFT	1	1	1	1	1			
5	2	122710-51050	BEARING, ROLLER	2	2	2	2	2			
6	2	129470-51060	RETAINER	1	1	1	1	1			

Remarks
(1) BOOST COMPEMSATOR TYPE. OPTIONAL PART, TO E00155,(4JH-DT, 4JH-DTZ

### ① Ref. No.

The Ref. No. listed may not be in accordance with the illustration Ref. No.

(Ex.) Illustration No.

List Ref No.

1 1 (Before change) → 1-1 (After change)

For interchangeable symbols N, R and K, illustrations for new parts may be abbreviated.

### ② Lev. (Level)

Level indication

The numbers below indicate the level of relativity towards the main part.

1 ---- Main parts (Assembly parts)

2 ---- Sub component included in " 1 ".

3 ---- Sub component included in " 2 ".

Note) Parts that are not for sale are partially illustrated but not listed.

### ③ Interchangeability Symbol

When a part change takes place, one of the following interchangeability symbols is indicated beside the part.

Symbol	Interchangeability	Contents note
N	Old $\begin{matrix} \leftarrow \text{Yes} \\ \text{No} \rightarrow \end{matrix}$ New	New Part is interchangeable for Old Part but Old Part is not interchangeable for New Part.
Q	Old $\begin{matrix} \leftarrow \text{No} \\ \text{Yes} \rightarrow \end{matrix}$ New	New Part is not interchangeable for Old Part but Old Part is interchangeable for New Part.
R	Old $\begin{matrix} \leftarrow \text{Yes} \\ \text{Yes} \rightarrow \end{matrix}$ New	New/ Old Parts are both interchangeable.
S	Old $\begin{matrix} \leftarrow \text{No} \\ \text{No} \rightarrow \end{matrix}$ New	New/ Old Parts are both not interchangeable.
W		Part newly added.
Z		Part discontinued.
F		Not interchangeable by a single part but interchangeable together with related parts.
K		Changes only for used parts quantities.

### ④ Effective Machine No.

When a part changes, the effective Machine No. will be indicated in the (A)-(F) column.

Product Symbol	Product No.	Product Symbol	Product No.
C	Clutch No. Compressor No.	F	Machine No. (Agricultural Equip.)
D	Drive No.	M	Machine No.
E	Engine No.		

Note 1) A date may follow the symbol. (Ex.) 1996.01

Note 2) "XXXXX" and "ZZZZZ" are for parts that could not be predicted or for engine models that could not be identified.

Note 3) (A=E00185) is the E (Engine Serial Number) for the column (A) model (in this case 4JH-DT) after the parts design change.

### ⑤ Remarks

Figures or alphabets (symbols) are entered in the remarks column.

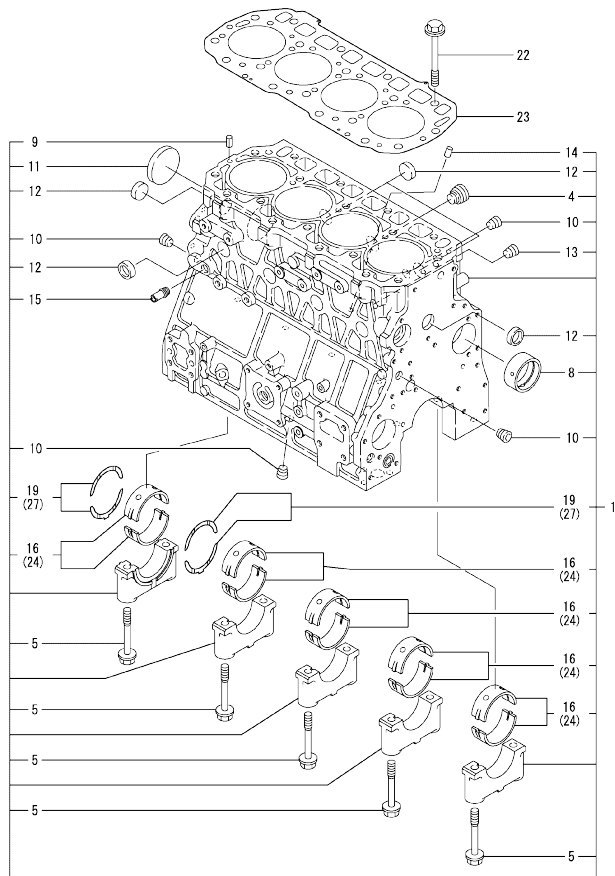
The comments (remarks) on parts that are indicated at the bottom of the illustration are the same symbols as those stated above.

## Contents

0CD10-M78300

Fig. No.	Fig. Name	Fig. No.	Fig. Name
4	TNV106-NTB		
1.	CYLINDER BLOCK		
2.	GEAR HOUSING		
3.	FLYWHEEL HOUSING & OIL SUMP		
4.	CYLINDER HEAD & BONNET		
5.	SUCTION MANIFOLD & AIR CLEANER		
6.	EXHAUST MANIFOLD & SILENCER		
7.	CAMSHAFT & DRIVING GEAR		
8.	CRANKSHAFT & PISTON		
9.	LUB.OIL SYSTEM		
10.	LUB.OIL LINE		
11.	COOLING WATER SYSTEM		
12.	FUEL INJECTION PUMP		
13.	FUEL INJECTION VALVE		
14.	FUEL LINE		
15.	STARTING MOTOR		
16.	GENERATOR		
17.	GASKET SET		
18.	FUEL INJECTION PUMP (INNER PARTS)		
19.	GOVERNOR (INNER PARTS)		

Fig.1. CYLINDER BLOCK



(A)=4TNV106-NTB  
(B)=  
(C)=

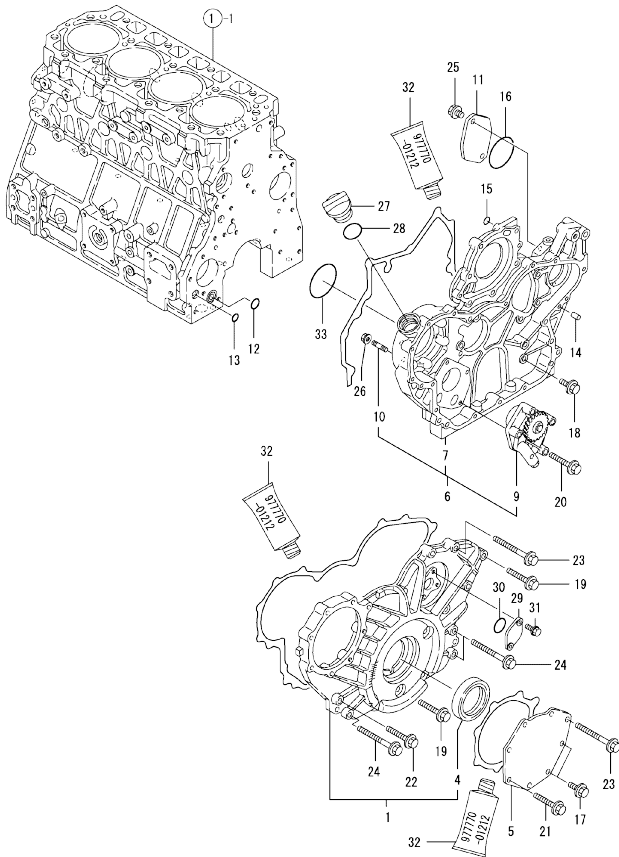
(D)=  
(E)=  
(F)=

No.	Lev.	Parts No.	Description	Q'ty						I	R
				(A)	(B)	(C)	(D)	(E)	(F)		
1	1	723907-01560	BLOCK ASSY, CYLINDER	1							
4	2	171051-01921	PLUG, NPTF1	1							
5	2	123900-02020	BOLT, METAL CAP	10							
8	2	123900-02410	BUSH	1							
9	2	22351-060012	PIN, SPRING 6.0X12	2							
10	2	23875-030000	PLUG, R03	4							
11	2	27231-700000	PLUG, 70	1							
12	2	27241-300000	PLUG 30	8							
13	2	23875-030000	PLUG, R03	1							
14	2	27225-120160	PLUG, 12X16	1							
15	2	121851-11970	JOINT, PIPE	1							
16	2	123900-02800	BEARING, MAIN	5							
19	2	123900-02930	BEARING, THRUST	2							
22	1	119174-01200	BOLT, HEAD	18							
23	1	123907-01349	GASKET, HEAD	1							
24	1	123900-02340	BEARING, 0.25 US	5							1
27	1	123900-02940	BEARING, THRUST 0.25	2							2

Remarks

- (1) UNDER-SIZED(U.S=0.25)PART.
- (2) OVER-SIZED(O.S=0.25)PART.

Fig.2. GEAR HOUSING



(A)=4TNV106-NTB  
(B)=  
(C)=

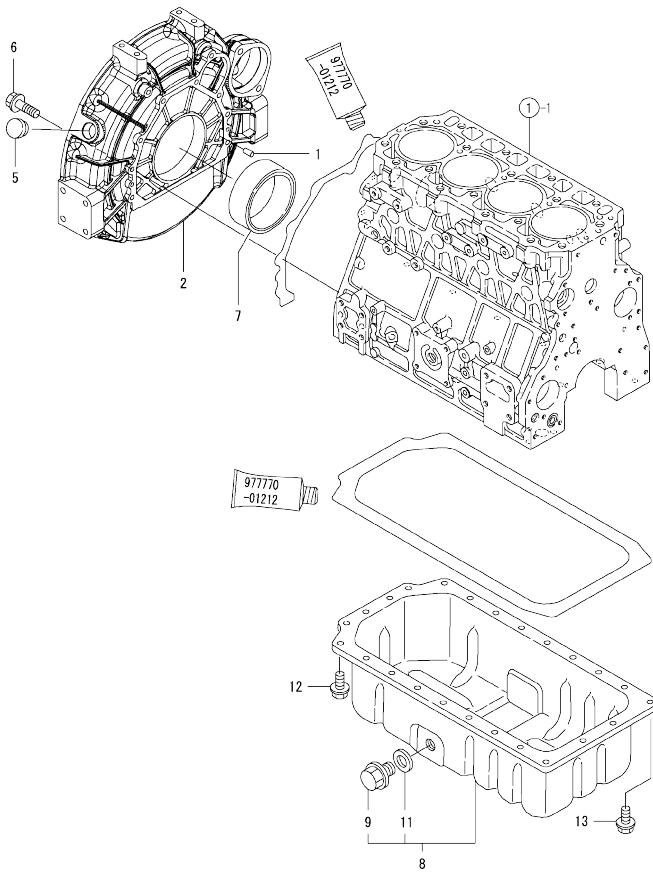
(D)=  
(E)=  
(F)=

No.	Lev.	Parts No.	Description	Q'ty						I	R
				(A)	(B)	(C)	(D)	(E)	(F)		
1	1	723900-01570	COVER ASSY,GEAR CASE	1							
1-1	1	723900-01580 (A=EV15839)	COVER ASSY,GEAR CASE	1						F	2
4	2	123900-01780	SEAL, OIL	1							
4-1	2	123946-01780 (A=EV15839)	SEAL, OIL	1						F	2
5	1	123900-01740	COVER	1							
6	1	123907-01800	CASE ASSY, GEAR	1							
7	2	123907-01500	CASE, GEAR	1							
9	2	123900-32001	PUMP ASSY, OIL	1							
10	2	121850-01900	STUD, SB10X32	4							
11	1	121023-26070	COVER	1							
12	1	129900-32030	O-RING, P20	1							
13	1	129900-32040	O-RING, P14	1							
14	1	22312-080160	PIN, PARALLEL M8X16	4							
15	1	24311-000110	O-RING, 1AP11.0	1							
16	1	24321-000850	O-RING, 1AG85.0	1							
17	1	26106-080202	BOLT, M8X 20 PLATED	2							
18	1	26106-080202	BOLT, M8X 20 PLATED	5							
19	1	26106-080402	BOLT, M8X 40 PLATED	6							
20	1	26106-080452	BOLT, M8X 45 PLATED	4							
21	1	26106-080452	BOLT, M8X 45 PLATED	5							
22	1	26106-080502	BOLT, M8X 50 PLATED	1							
23	1	26106-080702	BOLT, M8X 70 PLATED	5							
24	1	26106-080802	BOLT, M8X 80 PLATED	3							
25	1	26106-100222	BOLT, M10X 22 PLATED	2							
26	1	26306-100002	NUT, M10	4							
27	1	124160-01751	COVER, FILLER	1							
28	1	24311-000320	O-RING, 1AP32.0	1							
29	1	121023-01550	COVER	1							
30	1	24341-000240	O-RING, 1AS24.0	1							
31	1	26106-060162	BOLT, M6X 16 PLATED	2							
32	1	977770-01212	GASKET, LIQUID	1							1
33	1	24351-030750	O-RING, 1A3075	1							

Remarks

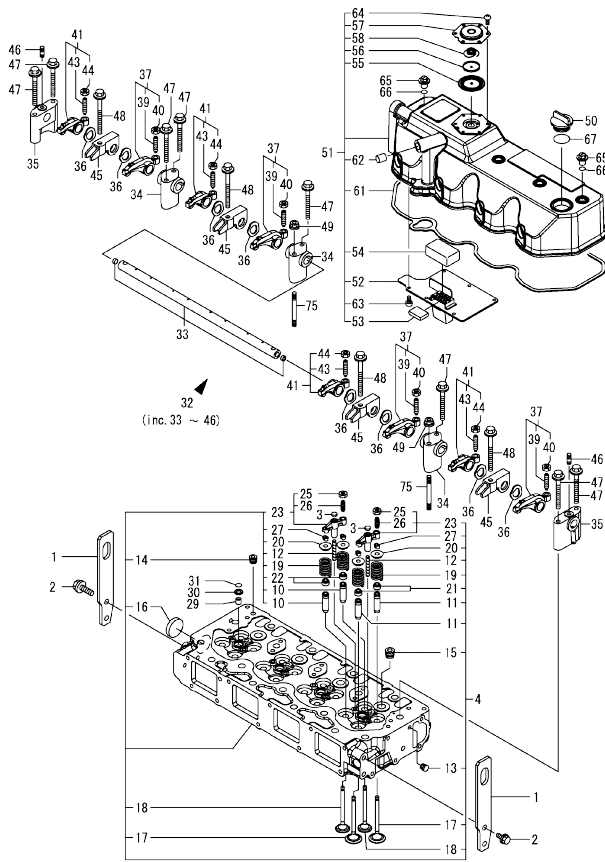
- (1) OPTIONAL PART.
- (2) FIG.NO.8 REF.NO.7-1,8-1,9-1 & 39 INTERCHANGEABLE BY SET.

Fig.3. FLYWHEEL HOUSING & OIL SUMP



No.	Lev.	Parts No.	Description	Q'ty						I	R
				(A)	(B)	(C)	(D)	(E)	(F)		
1	1	129100-01580	PIN, M8X16	2							
2	1	123900-01620	HOUSING, FLYWHEEL	1							
5	1	119575-01750	CAP	1							
5-1	1	119620-01750	CAP	1							R
		(A="2009.11)									
6	1	26106-100352	BOLT, M10X 35 PLATED	10							
7	1	123672-01782	SEAL, SD105X135X14L	1							
8	1	123900-01710	SUMP ASSY, OIL	1							
9	2	119640-01640	PLUG, DRAIN M22	1							
11	2	22190-220002	WASHER, SEAL 22	1							
12	1	26106-080122	BOLT, M8X 12 PLATED	22							
13	1	26106-080162	BOLT, M8X 16 PLATED	4							

Fig.4. CYLINDER HEAD & BONNET



(A)=4TNV106-NTB  
(B)=  
(C)=

(D)=  
(E)=  
(F)=

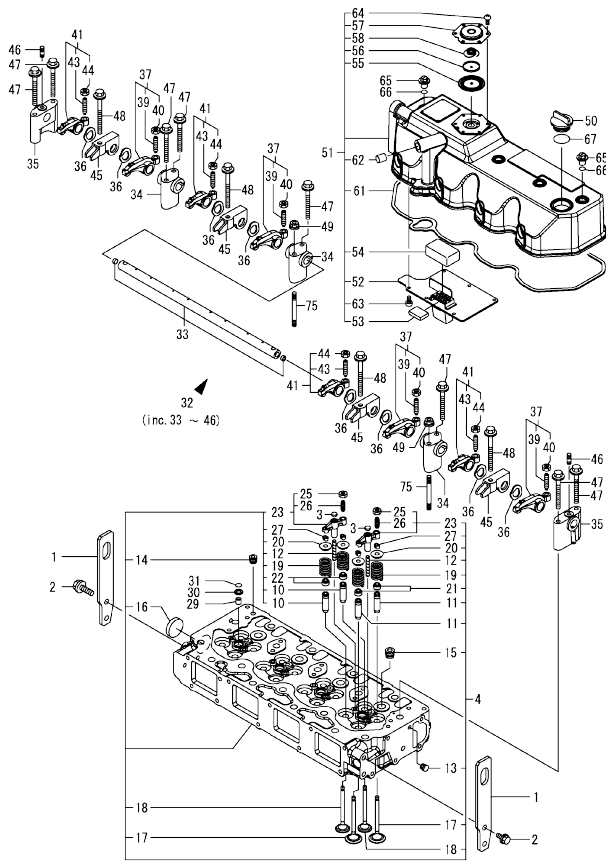
No.	Lev.	Parts No.	Description	Q'ty						I	R
				(A)	(B)	(C)	(D)	(E)	(F)		
1	1	123907-07900	LIFTER	2							
2	1	26106-100202	BOLT, M10X 20 PLATED	4							
3	1	123907-11550	SEAT, VALVE BRIDGE	8							
4	1	723907-11100	HEAD ASSY, CYLINDER	1							1
10	2	120325-11160	GUIDE, VALVE	8							
11	2	123907-11160	GUIDE, VALVE	8							
12	2	123907-11820	GUIDE	8							
13	2	23876-005000	PLUG, R005	1							
14	2	23876-020000	PLUG, R02	1							
15	2	23876-030000	PLUG, R03	4							
16	2	27241-400000	PLUG, 40	1							
17	2	123907-11100	VALVE, INTAKE	8							
18	2	123907-11110	VALVE, EXHAUST	8							
19	2	123907-11120	SPRING, VALVE	16							
20	2	123907-11180	RETAINER, SPRING	16							
21	2	124160-11340	SEAL, VALVE STEM	8							
22	2	124950-11340	SEAL, VALVE STEM	8							
23	2	123907-11510	BRIDGE ASSY, VALVE	8							
25	3	129150-11750	NUT, M8	8							
26	3	123907-11830	ADJUSTER	8							
27	2	27310-070001	COTTER, 7	16							
29	1	119802-11870	PROTECTOR, NOZZLE	4							
30	1	119625-11880	SEAT, NOZZLE	4							
31	1	24311-000120	O-RING, 1AP12.0	4							
32	1	123907-11340	SUPPORT ASSY, ARM	1							
33	2	123907-11250	SHAFT, ROCKER ARM	1							
34	2	123907-11260	SUPPORT, ROCKER ARM	3							
35	2	123907-11270	SUPPORT, ROCKER ARM	2							
36	2	123907-11280	WASHER	8							
37	2	123907-11650	ARM, ROCKER	4							
39	3	129150-11230	SCREW, VALVE ADJUST	4							
40	3	129150-11750	NUT, M8	4							
41	2	123907-11660	ARM, ROCKER	4							
43	3	129150-11230	SCREW, VALVE ADJUST	4							
44	3	129150-11750	NUT, M8	4							
45	2	123907-11900	RETAINER, NOZZLE	4							
46	2	26226-080302	STUD, M8X 30	2							
47	1	26106-080752	BOLT, M8X 75 PLATED	8							
48	1	26106-080902	BOLT, M8X 90 PLATED	4							
49	1	26306-080002	NUT, M8	2							
50	1	124160-01751	COVER, FILLER	1							
51	1	123907-11320	BONNET ASSY, HEAD	1							
52	2	123907-03010	PLATE	1							
53	2	123907-03060	BAFFLE, BREATHER	1							
54	2	123907-03070	BAFFLE, BREATHER	1							
55	2	123907-03100	DIAPHRAGM	1							
56	2	123907-03110	PLATE	1							
57	2	123907-03120	PLATE, BREATHER	1							
58	2	123907-03140	SPRING, DIAPHRAGM	1							
61	2	123907-11310	GASKET, BONNET	1							
62	2	119640-61400	PLUG	1							

Remarks  
(1) Model Label to EV00871 Fig.6  
Ref.No.1-1,2-1,3-1,4-1,6-1,7-1  
interchangeable by set.

N:Old  $\frac{New}{Old}$  New, Q:Old  $\frac{New}{Old}$  New, R:Old  $\frac{New}{Old}$  New, S:Old  $\frac{New}{Old}$  New, W:Add, Z:Discontinued, F:Interchangeable by set, K:Q'ty Change  
++ CONTINUE ++  
Copyright (C) YANMAR GLOBAL CS CO., LTD. All Rights Reserved.



Fig.4. CYLINDER HEAD & BONNET



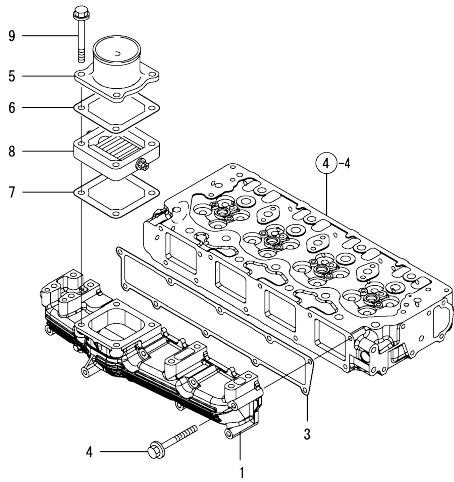
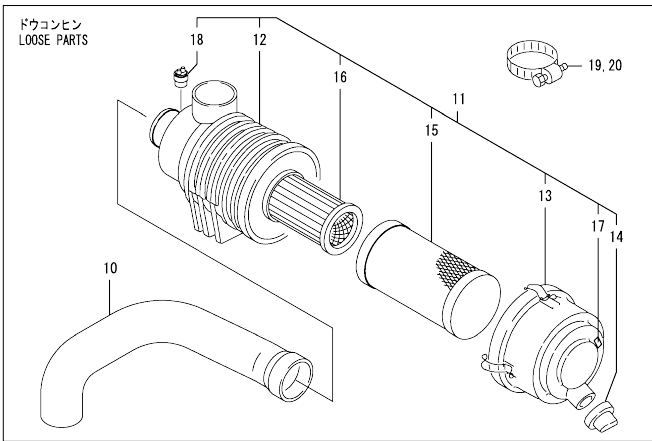
(A)=4TNV106-NTB  
(B)=  
(C)=

(D)=  
(E)=  
(F)=

No.	Lev.	Parts No.	Description	(A)	(B)	(C)	(D)	(E)	(F)	I	R
63	2	22857-500100	SCREW, 5X10	6							
64	2	22857-500100	SCREW, 5X10	6							
65	1	124160-11360	KNOB	4							
66	1	24311-000120	O-RING, 1AP12.0	4							
67	1	24311-000320	O-RING, 1AP32.0	1							
75	1	123907-11390	STUD, M8X95	2							

Remarks  
(1) Model Label to EV00871 Fig.6  
Ref.No.1-1,2-1,3-1,4-1,6-1,7-1  
interchangeable by set.

Fig.5. SUCTION MANIFOLD & AIR CLEANER

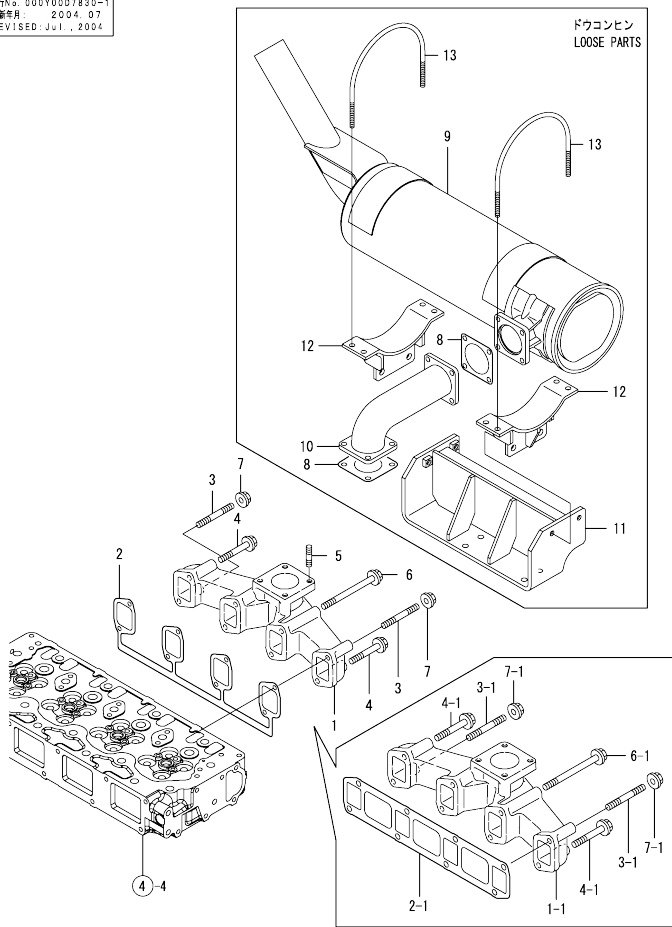


No.	Lev.	Parts No.	Description	Q'ty						I	R
				(A)	(B)	(C)	(D)	(E)	(F)		
1	1	123907-12100	MANIFOLD, AIR INTAKE	1							
3	1	123907-12110	GASKET, MANIFOLD	1							
4	1	26106-080702	BOLT, M8X 70 PLATED	10							
5	1	124610-12580	JOINT, AIR HEATER	1							
6	1	123900-77020	GASKET	1							
7	1	123900-77030	GASKET	1							
8	1	123915-77500	HEATER	1							
9	1	26106-100452	BOLT, M10X 45 PLATED	4							
10	1	123911-12040	PIPE, AIR INTAKE	1							
11	1	123911-12500	CLEANER ASSY, AIR	1							
12	2	123911-12510	BODY ASSY, CLEANER	1							
13	2	119117-12530	COVER	1							
14	2	119160-12540	VALVE	1							
15	2	119117-12560	ELEMENT	1							
16	2	119117-12570	ELEMENT	1							
17	2	129612-12650	MARKING (W)	1							
18	2	119140-12680	INDICATOR	1							
19	1	23000-102000	CLAMP, 102	1							
20	1	23000-115000	CLAMP, 115	1							

Fig.6. EXHAUST MANIFOLD & SILENCER

図号: 000Y0007830-1  
 発注年号: 2004.07  
 REVISED: JUL. 2004

ドクコンピン  
 LOOSE PARTS

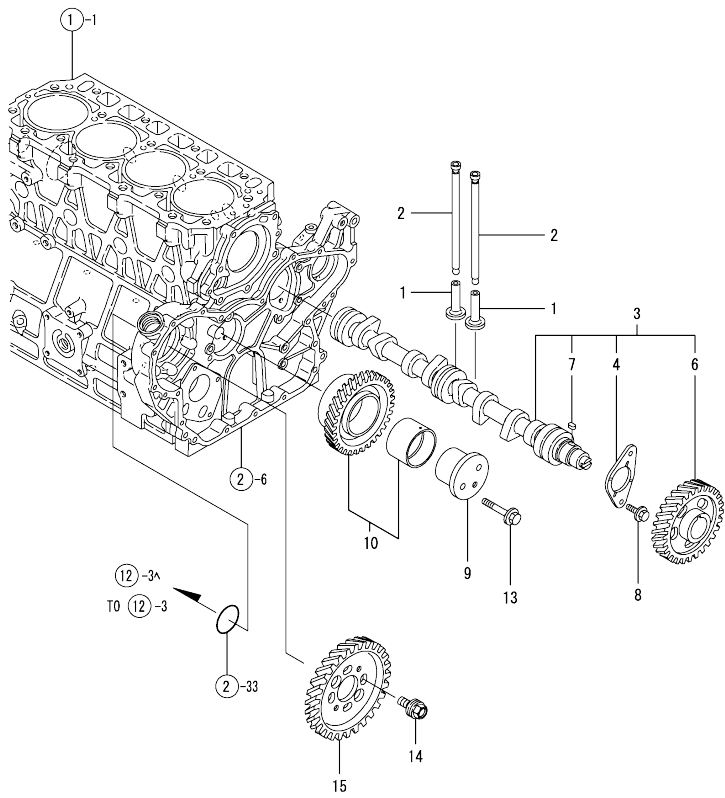


(A)=4TNV106-NTB  
 (B)=  
 (C)=

(D)=  
 (E)=  
 (F)=

No.	Lev.	Parts No.	Description	Q'ty						I	R
				(A)	(B)	(C)	(D)	(E)	(F)		
1	1	123900-13100	MANIFOLD, EXHAUST	1							
1-1	1	123907-13100 (A=EV00872)	MANIFOLD, EXHAUST	1							S
2	1	123900-13111	GASKET	1							
2-1	1	123907-13110 (A=EV00872)	GASKET	1							S
3	1	123900-13600	STUD, M8X70	2							
3-1	1	123907-13800 (A=EV00872)	STUD, M10X70	2							S
4	1	123900-13620	BOLT, M8X70	2							
4-1	1	123907-13700 (A=EV00872)	BOLT, M10X75 10.9	2							S
5	1	119131-18320	STUD, M8X22	4							
6	1	129693-44310	BOLT	4							
6-1	1	123907-13730 (A=EV00872)	BOLT, M10X105 10.9	4							S
7	1	26306-080002	NUT, M8	2							
7-1	1	26306-100002 (A=EV00872)	NUT, M10	2							S
8	1	129400-13201	GASKET, SILENCER	2							
9	1	123911-13510	SILENCER	1							
10	1	123911-13550	BEND, EXHAUST	1							
11	1	123911-13650	BRACKET, SILENCER	1							
12	1	123911-13660	STAY, SILENCER	2							
13	1	123911-13670	BOLT	2							

Fig.7. CAMSHAFT & DRIVING GEAR

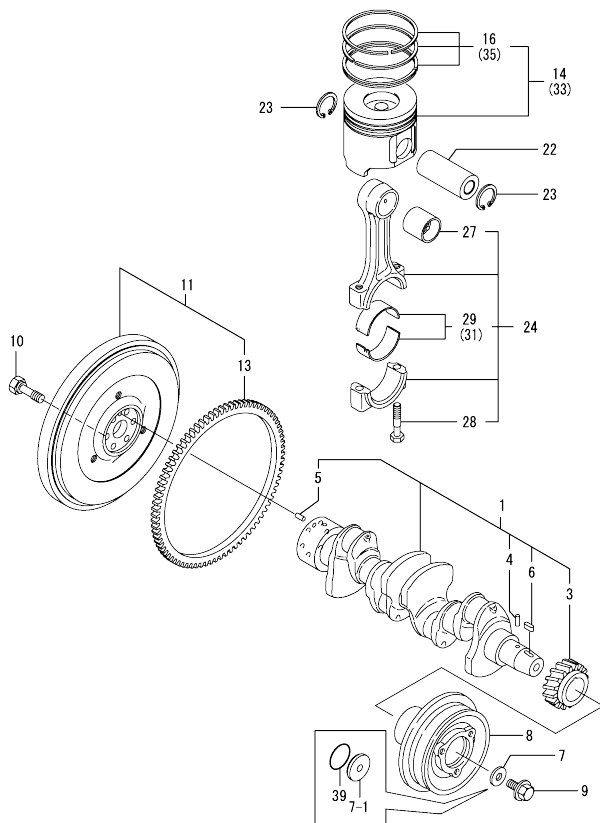


(A)=4TNV106-NTB  
(B)=  
(C)=

(D)=  
(E)=  
(F)=

No.	Lev.	Parts No.	Description	Q'ty						I	R
				(A)	(B)	(C)	(D)	(E)	(F)		
1	1	123900-14200	TAPPET	8							
2	1	123907-14400	ROD, PUSH	8							
3	1	123907-14580	CAMSHAFT ASSY	1							
4	2	129150-02450	BEARING, THRUST	1							
6	2	129900-14100	GEAR, CAMSHAFT	1							
7	2	22512-070140	KEY, 7X 14	1							
8	1	26106-080142	BOLT, M8X 14 PLATED	2							
9	1	123900-25060	SHAFT, IDLE GEAR	1							
10	1	123900-25120	GEAR ASSY, IDLE	1							
13	1	26106-080552	BOLT, M8X 55 PLATED	3							
14	1	129953-25300	BOLT	4							
15	1	123907-25909	GEAR, PUMP	1							

Fig.8. CRANKSHAFT & PISTON



(A)=4TNV106-NTB  
(B)=  
(C)=

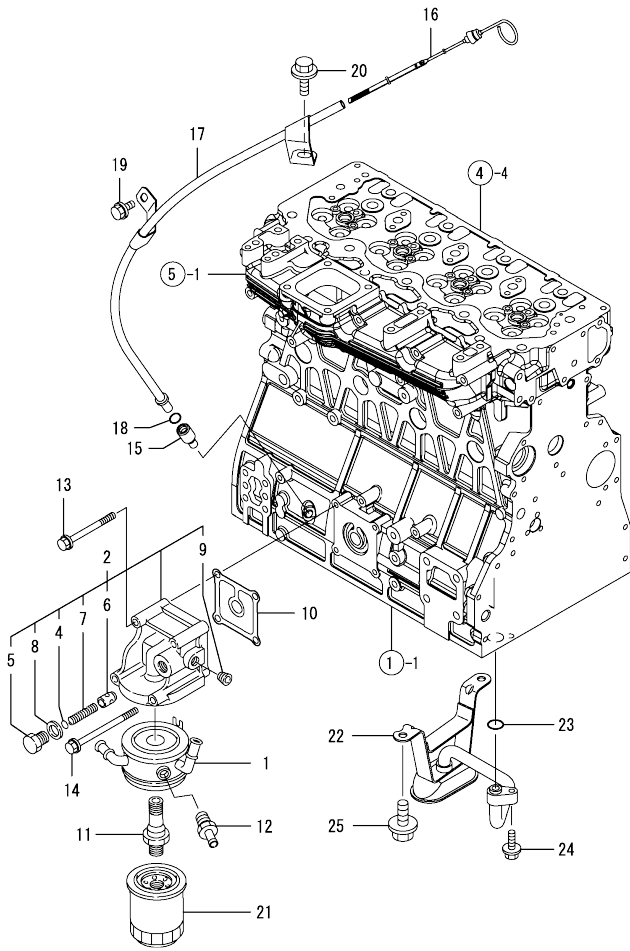
(D)=  
(E)=  
(F)=

No.	Lev.	Parts No.	Description	Q'ty						I	R
				(A)	(B)	(C)	(D)	(E)	(F)		
1	1	123900-21000	CRANKSHAFT ASSY	1							
3	2	129900-21200	GEAR, CRANKSHAFT	1							
4	2	121850-21290	PIN	1							
5	2	121850-21920	PIN, M10X22	1							
6	2	22512-070140	KEY, 7X 14	1							
7	1	129900-21640	WASHER	1							
7-1	1	129960-21640	WASHER	1						F	4
		(A=EV15839)									
8	1	123900-21650	V-PULLEY	1							
8-1	1	123946-21660	V-PULLEY, 150	1						F	4
		(A=EV15839)									
9	1	121850-21680	BOLT	1							
9-1	1	129916-21610	BOLT	1						F	4
		(A=EV15839)									
10	1	121850-21130	BOLT, FLYWHEEL	6							
11	1	123900-21580	FLYWHEEL ASSY	1							
13	2	127410-21480	GEAR, RING Z=129	1							
14	1	123907-22090	PISTON ASSY, 18.5	4							
16	2	123907-22050	RING SET, PISTON	4							
22	1	119173-22300	PIN, PISTON	4							
23	1	22252-000370	RING, 37	8							
24	1	123900-23000	ROD ASSY, CONNECTING	4							
27	2	123900-23910	BEARING, PISTON PIN	4							1
28	2	123900-23200	BOLT, CONNECTING ROD	8							
29	2	123900-23600	BEARING, CRANK PIN	4							
31	1	123900-23610	BEARING, 0.25 US	4							2
33	1	723907-22910	PISTON ASSY, 0.25 OS	4							3
35	2	723907-22950	RING SET, 0.25 OS	4							3
39	1	24341-000530	O-RING, 1AS53.0	1							W 4
		(A=EV15839)									

Remarks

- (1) REPAIR PART.
- (2) UNDER-SIZE (U.S=0.25) PART.
- (3) OVER-SIZE (O.S=0.25) PART.
- (4) REF.NO.7-1,8-1,9-1 & 39 FIG.NO.2
- REF.NO.4-1 INTERCHANGEABLE BY SET

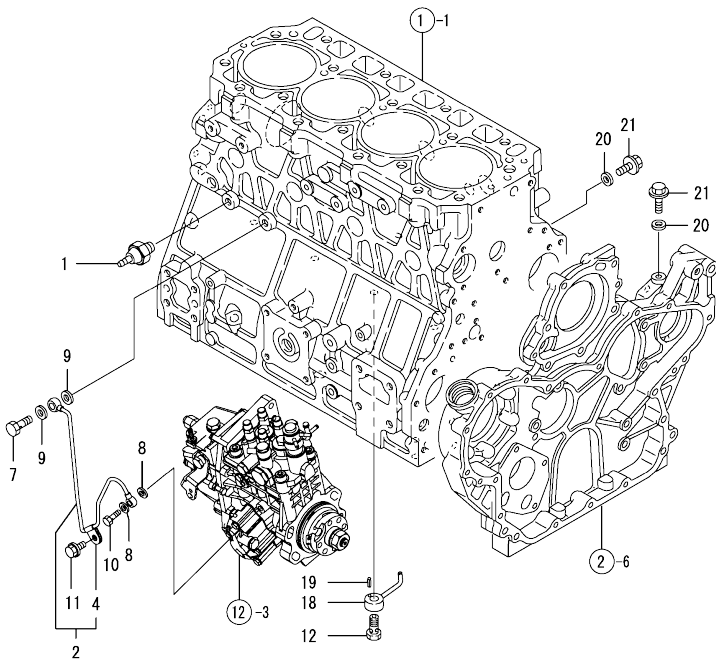
Fig.9. LUB.OIL SYSTEM



No.	Lev.	Parts No.	Description	Q'ty						I	R
				(A)	(B)	(C)	(D)	(E)	(F)		
1	1	123910-33011	COOLER ASSY, OIL	1							
2	1	123910-33041	BRACKET ASSY, COOLER	1							
4	2	121850-35230	SHIM, T=1.0	1							
5	2	124223-35510	RETAINER, SPRING	1							
6	2	121850-35531	VALVE, CONTROL	1							
7	2	121952-39830	SPRING	1							
8	2	23414-180000	GASKET, 18X1.0	1							
9	2	23876-020000	PLUG, R02	1							
10	1	123900-33060	GASKET	1							
11	1	123910-33100	BOLT	1							
12	1	121550-49111	JOINT, PT1/4	1							
13	1	26106-080752	BOLT, M8X 75 PLATED	2							
14	1	26106-081002	BOLT, M8X100 PLATED	2							
15	1	119260-34810	GUIDE, DIPSTICK	1							
16	1	123900-34810	DIPSTICK, OIL	1							
17	1	123900-34820	GUIDE, DIPSTICK	1							
18	1	24311-240100	O-RING, 1AP10A	1							
19	1	26106-080182	BOLT, M8X 18 PLATED	1							
20	1	26106-100182	BOLT, M10X 18 PLATED	1							
21	1	119005-35100	FILTER, D80X100L	1							
22	1	123900-35004	PIPE ASSY, OIL INLET	1							
23	1	24314-000180	O-RING, 4CP18.0	1							
24	1	26106-080302	BOLT, M8X 30 PLATED	1							
25	1	26106-120162	BOLT, M12X 16 PLATED	2							

OCD10-M78300 4TNV106-NTB  
 Fig.10. LUB.OIL LINE

OCD10-M78300 Fig.10

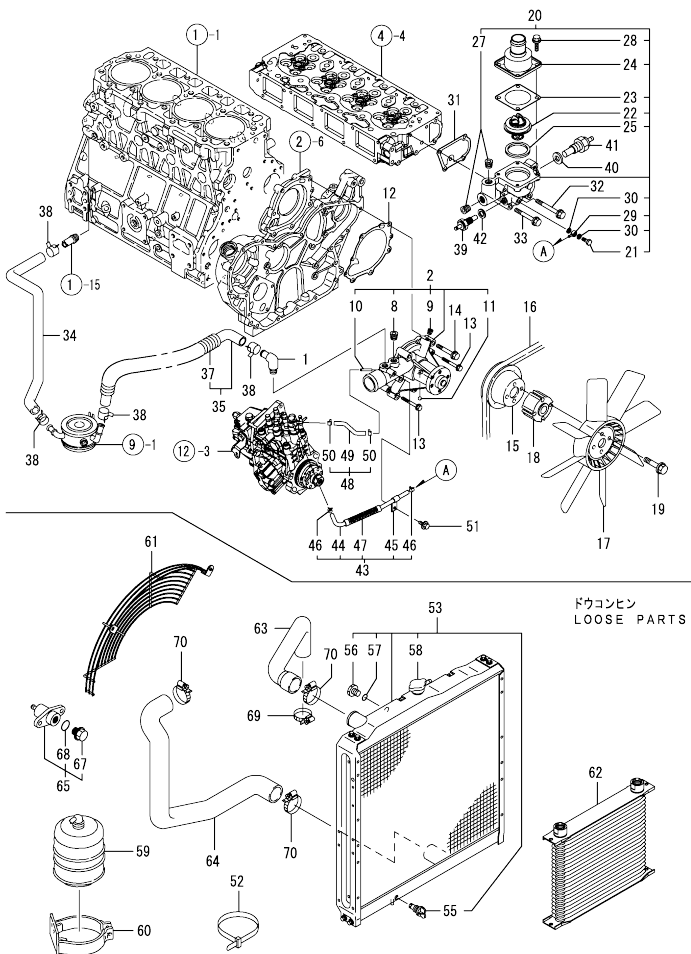


(A)=4TNV106-NTB  
 (B)=  
 (C)=

(D)=  
 (E)=  
 (F)=

No.	Lev.	Parts No.	Description	Q'ty						I	R
				(A)	(B)	(C)	(D)	(E)	(F)		
1	1	114250-39450	SWITCH, 0.5KG	1							
2	1	123907-39060	PIPE, OIL	1							
4	2	123907-39500	RETAINER	1							
7	1	124160-39140	BOLT, PIPE JOINT M10	1							
8	1	23414-080000	GASKET, 8X1.0	2							
9	1	23414-100000	GASKET, 10X1.0	2							
10	1	23857-030000	BOLT, JOINT 3	1							
11	1	26106-080122	BOLT, M8X 12 PLATED	1							
12	1	129792-39410	VALVE ASSY, CHECK	4							
18	1	123900-39650	NOZZLE	4							
19	1	22351-030010	PIN, SPRING 3.0X10	4							
20	1	22190-080002	WASHER, SEAL 6	2							
21	1	26106-080122	BOLT, M8X 12 PLATED	2							

Fig.11. COOLING WATER SYSTEM

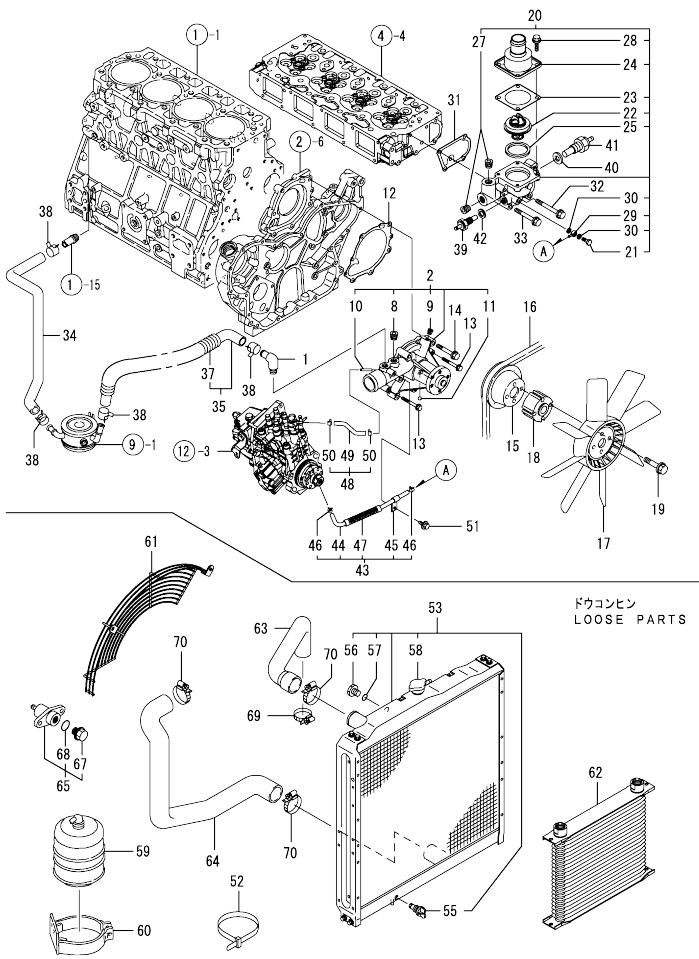


No.	Lev.	Parts No.	Description	Q'ty						I	R
				(A)	(B)	(C)	(D)	(E)	(F)		
1	1	123907-49300	ELBOW, R3/8	1							
2	1	123907-42000	PUMP ASSY, WATER	1							
8	2	23875-030000	PLUG, R03	1							
9	2	23875-020000	PLUG, R02	1							
10	2	119802-49112	PIPE, WATER	1							
11	2	24190-080001	BALL, STEEL 1/4	1							
12	1	123900-42050	GASKET, WATER PUMP	1							
13	1	26106-060502	BOLT, M6X 50 PLATED	2							
14	1	26106-080552	BOLT, M8X 55 PLATED	4							
15	1	123915-42450	V-PULLEY	1							
16	1	123946-42480	V-BELT, B49	1							
17	1	123910-44740	FAN, COOLING D=500	1							
18	1	123911-44780	SPACER, FAN	1							
19	1	26106-100602	BOLT, M10X 60 PLATED	4							
20	1	123946-49810	CASE ASSY,THERMOSTAT	1							
21	2	105010-39140	BOLT, PIPE JOINT	1							
22	2	124610-48620	THERMOSTAT, 82	1							
23	2	124610-49291	GASKET	1							
24	2	123962-49500	COVER, THERMOSTAT	1							
25	2	123500-49550	GASKET	1							
27	2	23876-030000	PLUG, R03	2							
28	2	26106-080252	BOLT, M8X 25 PLATED	4							
29	2	23387-040800	JOINT, HOSE 4-8	1							
30	2	23414-080000	GASKET, 8X1.0	2							
31	1	123900-49820	GASKET	1							
32	1	26106-080602	BOLT, M8X 60 PLATED	4							
33	1	26106-080702	BOLT, M8X 70 PLATED	2							
34	1	123910-49033	PIPE, WATER	1							
35	1	123946-49040	PIPE ASSY, WATER	1							
37	2	123946-49660	TUBE, CORRUGATED	1							
38	1	23000-025000	CLAMP, 25	4							
39	1	121250-44901	SWITCH, 110	1							
40	1	124465-44950	GASKET, 16	1							
41	1	124250-49351	SENSOR	1							
42	1	129150-49360	GASKET	1							
43	1	123907-49610	PIPE ASSY, WATER	1							
44	2	123907-49710	PIPE, WATER	1							
45	2	119802-49730	RETAINER, PIPE	1							
46	2	124722-59050	CLIP, HOSE 9	2							
47	2	129486-59320	TUBE, CORRUGATED	1							
48	1	123907-49620	PIPE ASSY, WATER	1							
49	2	123907-49720	PIPE, WATER	1							
50	2	124722-59050	CLIP, HOSE 9	2							
51	1	26106-060122	BOLT, M6X 12 PLATED	1							
52	1	121750-59890	BAND, 140	1							
53	1	123930-44500	RADIATOR ASSY	1							
55	2	123930-44560	COCK ASSY	1							
56	2	123930-44570	PLUG	1							
57	2	123930-44580	O-RING	1							
58	2	129107-44590	CAP, RADIATOR	1							
59	1	148616-44510	TANK, SUB	1							

N:Old  $\frac{New}{Old}$  New, Q:Old  $\frac{New}{Old}$  New, R:Old  $\frac{New}{Old}$  New, S:Old  $\frac{New}{Old}$  New, W:Add, Z:Discontinued, F:Interchangeable by set, K:Q'ty Change  
 ++ CONTINUE ++  
 Copyright (C) YANMAR GLOBAL CS CO., LTD. All Rights Reserved.



Fig.11. COOLING WATER SYSTEM

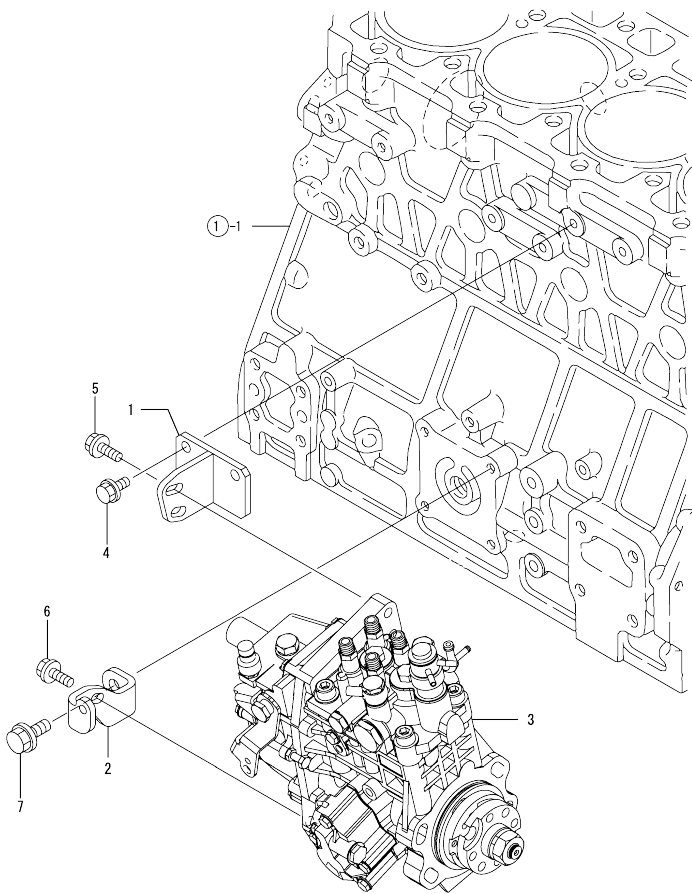


(A)=4TNV106-NTB  
(B)=  
(C)=

(D)=  
(E)=  
(F)=

No.	Lev.	Parts No.	Description	Q'ty						I	R
				(A)	(B)	(C)	(D)	(E)	(F)		
60	1	148616-44551	BRACKET	1							
61	1	123655-44600	NET, WIRE	1							
62	1	123930-44901	COOLER ASSY, OIL	1							
63	1	123911-49010	PIPE, WATER	1							
64	1	123911-49020	PIPE, WATER	1							
65	1	721521-49100	COCK ASSY, 2-WAY	1							
67	2	121250-49121	PLUG, DRAIN	1							
68	2	24311-000160	O-RING, 1AP16.0	1							
69	1	23000-054000	CLAMP, 54	1							
70	1	23000-060000	CLAMP, 60	3							

Fig.12. FUEL INJECTION PUMP



(A)=4TNV106-NTB  
(B)=  
(C)=

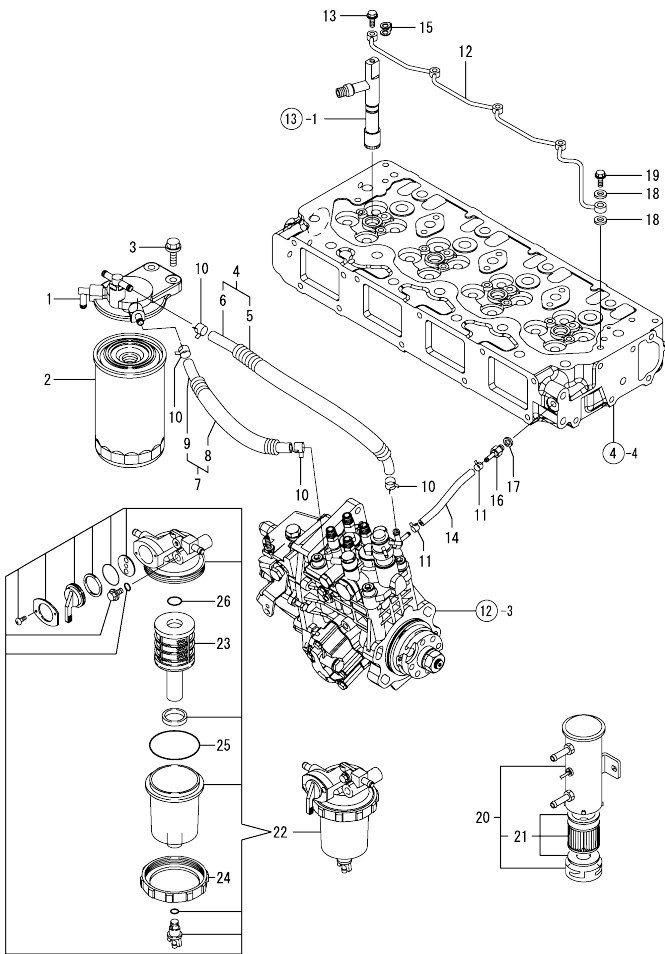
(D)=  
(E)=  
(F)=

No.	Lev.	Parts No.	Description	Q'ty						I	R
				(A)	(B)	(C)	(D)	(E)	(F)		
1	1	123907-01950	RETAINER	1							
2	1	123907-01960	RETAINER	1							
3	1	723944-51300	PUMP ASSY, INJECTION	1							
230	1	26106-080162	BOLT, M8X 16 PLATED	2							
231	1	26106-080202	BOLT, M8X 20 PLATED	2							
232	1	26106-080202	BOLT, M8X 20 PLATED	1							
233	1	26106-100162	BOLT, M10X 16 PLATED	1							
234	1	129209-61940	CASE ASSY	1							
236	2	24311-000150	O-RING, 1AP15.0	1							
237	1	119285-66610	CAP, HIGH-IDLE	1							

Remarks  
See the innerparts in Fig.18 &19.



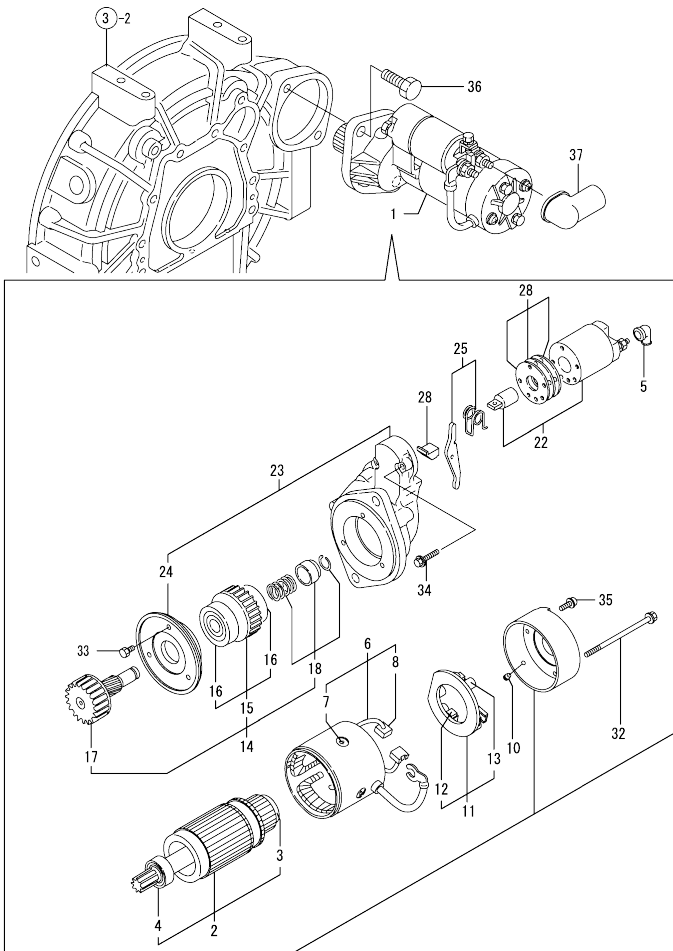
Fig.14. FUEL LINE



No.	Lev.	Parts No.	Description	Q'ty						I	R
				(A)	(B)	(C)	(D)	(E)	(F)		
1	1	129004-55610	BRACKET, FILTER	1							
2	1	123907-55800	FILTER, FUEL	1							
3	1	26106-080302	BOLT, M8X 30 PLATED	2							
4	1	129957-59040	PIPE, FUEL	1							
5	2	119560-59110	TUBE, CORRUGATED	1							
6	2	129335-59090	PIPE, FUEL D13X500	1							
7	1	119160-59010	PIPE ASSY, FUEL	1							
8	2	129950-59221	TUBE, CORRUGATED	1							
9	2	105025-59530	PIPE, FUEL D13X400	1							
10	1	23000-013000	CLAMP, 13	4							
11	1	124066-59100	CLIP, HOSE 8	2							
12	1	123907-59140	PIPE ASSY, RETURN	1							
13	1	123907-59540	BOLT, PIPE JOINT M6	4							
14	1	121250-59550	PIPE, PIPE D8X120	1							
15	1	123907-59550	GASKET	4							
16	1	123907-59560	JOINT	1							
17	1	22190-080002	WASHER, SEAL 6	1							
18	1	23414-080000	GASKET, 8X1.0	2							
19	1	23857-030000	BOLT, JOINT 3	1							
20	1	129953-52100	PUMP ASSY, FUEL FEED	1							
21	2	129535-52150	FILTER ASSY	1							
22	1	119802-55700	SEPARATOR ASSY	1							
23	2	119802-55710	ELEMENT	1							
24	2	129100-55690	RING, RETAINING	1							
25	2	24321-000650	O-RING, 1AG65.0	1							
26	2	24311-000160	O-RING, 1AP16.0	1							

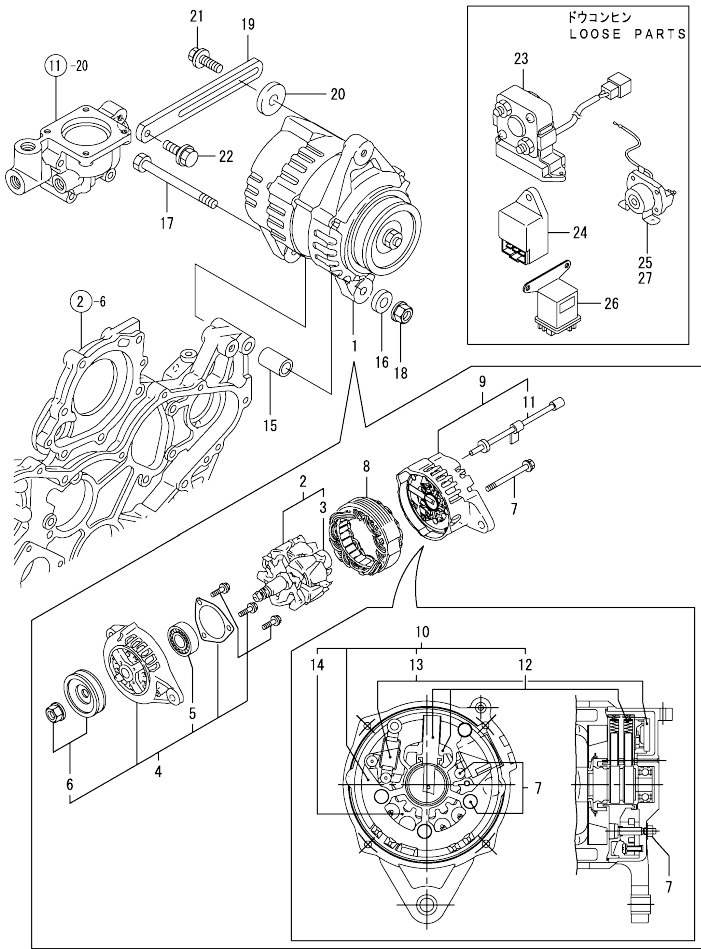
N:Old  $\frac{100}{100}$  New, Q:Old  $\frac{100}{100}$  New, R:Old  $\frac{100}{100}$  New, S:Old  $\frac{100}{100}$  New, W:Add, Z:Discontinued, F:Interchangeable by set, K:Qty Change  
 Copyright (C) YANMAR GLOBAL CS CO., LTD. All Rights Reserved.

Fig.15. STARTING MOTOR



No.	Lev.	Parts No.	Description	Qty						I	R
				(A)	(B)	(C)	(D)	(E)	(F)		
1	1	119131-77010	STARTING MOTOR	1							
2	2	119131-77400	ARMATURE ASSY	1							
3	3	X2130350900	BALL BEARING	1							
4	3	119131-77420	BALL BEARING	1							
5	2	121254-77810	COVER, TERMINAL	1							
6	2	119131-77440	COIL ASSY, FIELD	1							
7	3	171008-77450	SCREW	4							
8	3	119131-77450	BRUSH (+)	2							
10	2	119131-77470	BUSH	1							
11	2	119131-77480	HOLDER ASSY, BRUSH	1							
12	3	119131-77500	BRUSH (-)	2							
13	3	119131-77490	SPRING, BRUSH	4							
14	2	119131-77510	PINION	1							
15	3	119131-77520	CLUTCH ASSY	1							
16	4	X2240610100	BALL BEARING (3)	2							
17	3	119131-77540	PINION SHAFT	1							
18	3	119131-77550	STOPPER KIT, PINION	1							
22	2	119131-77590	SWITCH, MAGNETIC	1							
23	2	119131-77600	CASE ASSY, GEAR	1							
24	3	119131-77610	METAL, GEAR CASE	1							
25	2	119131-77620	LEVER SET, SHIFT	1							
28	2	119131-77650	COVER SET, DUST	1							
32	2	129400-77640	BOLT, THROUGH	2							
33	2	26014-060162	BOLT, M6X 16	3							
34	2	119131-77690	BOLT M 6X 45 PLATED	2							
35	2	26557-040102	SCREW, M4X10	2							
36	1	26116-120302	BOLT, M12X 30 PLATED	2							
37	1	124550-77030	COVER, TERMINAL	1							

OCD10-M78300 4TNV106-NTB  
 Fig.16. GENERATOR



OCD10-M78300 Fig.16

(A)=4TNV106-NTB  
 (B)=  
 (C)=

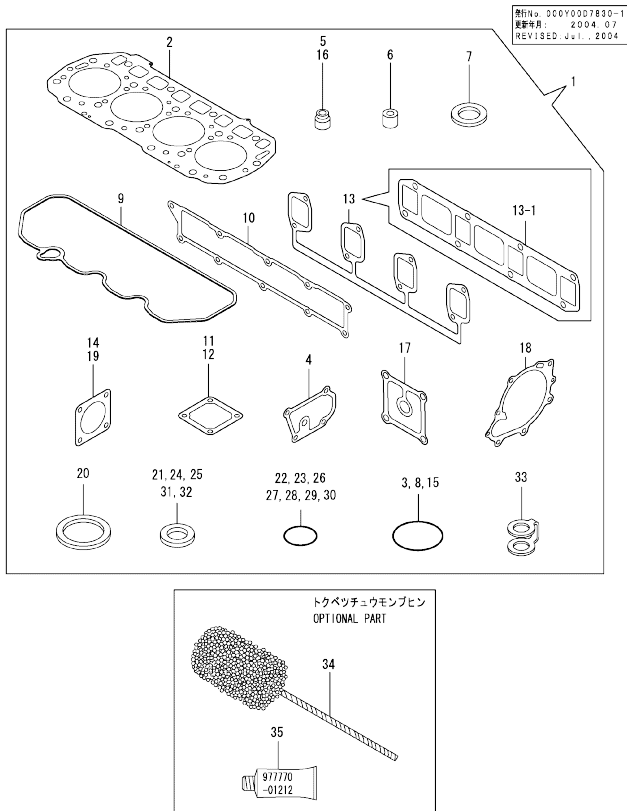
(D)=  
 (E)=  
 (F)=

No.	Lev.	Parts No.	Description	Qty						I	R
				(A)	(B)	(C)	(D)	(E)	(F)		
1	1	123900-77220	GENERATOR	1							
1-1	1	123900-77221 (A=EXXXXX)	ALTERNATOR, 24V-35A	1							N
2	2	129900-77800	ROTOR ASSY	1							
3	3	129900-77810	BEARING, BALL	1							
4	2	129900-77890	BRACKET ASSY	1							
5	3	129900-77900	BEARING, BALL	1							
6	2	123910-77910	PULLEY	1							
7	2	129900-77920	SCREW KIT	1							
8	2	129900-77930	STATOR ASSY	1							
9	2	129900-77980	BRACKET ASSY, REAR	1							
9-1	2	123900-77820 (A=EXXXXX)	BRACKET ASSY	1							N
10	3	129900-77970	RECTIFIER ASSY	1							
11	4	129900-77860	LEAD WIRE ASSY	1							
12	4	129900-77940	HOLDER, BRUSH	1							
13	4	129900-77950	REGULATOR	1							
14	4	129900-77960	DIODE ASSY	1							
15	1	123900-77340	PIECE, DISTANCE	1							
16	1	22137-100000	WASHER, 10	1							
17	1	26116-101202	BOLT, M10X120 PLATED	1							
18	1	26306-100002	NUT, M10	1							
19	1	123900-77330	ADJUSTER	1							
20	1	121236-77340	SPACER	1							
21	1	119005-77350	BOLT, M8X25	1							
22	1	26014-080252	BOLT, M8X 25	1							
23	1	129900-77100	RELAY, SAFETY	1							
24	1	119129-77920	TIMER	1							
25	1	124612-77920	SWITCH	1							
26	1	129612-77910	RELAY, GROW	1							
27	1	129612-77920	TIMER	1							

N:Old  $\frac{100}{100}$  New, Q:Old  $\frac{100}{100}$  New, R:Old  $\frac{100}{100}$  New, S:Old  $\frac{100}{100}$  New, W:Add, Z:Discontinued, F:Interchangeable by set, K:Qty Change  
 Copyright (C) YANMAR GLOBAL CS CO., LTD. All Rights Reserved.

OCD10-M78300 4TNV106-NTB  
 Fig.17. GASKET SET

OCD10-M78300 Fig.17



(A)=4TNV106-NTB  
 (B)=  
 (C)=

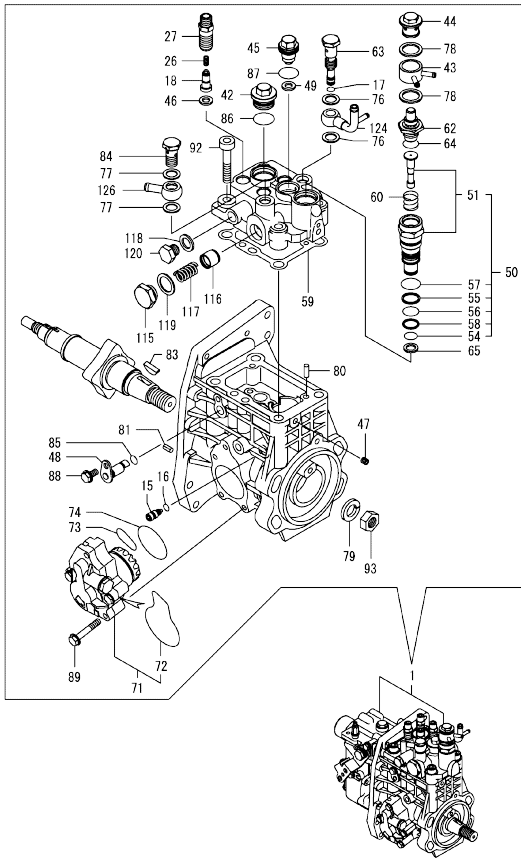
(D)=  
 (E)=  
 (F)=

No.	Lev.	Parts No.	Description	Q'ty						I	R
				(A)	(B)	(C)	(D)	(E)	(F)		
1	1	723907-92610	GASKET SET	1							1
1-1	1	723907-92611	GASKET SET	1							S 1
(A=EV00872)											
2	2	123907-01349	GASKET, HEAD	1							
3	2	24311-000320	O-RING, 1AP32.0	2							
4	2	123900-49820	GASKET	1							
5	2	124160-11340	SEAL, VALVE STEM	8							
6	2	119802-11870	PROTECTOR, NOZZLE	4							
7	2	119625-11880	SEAT, NOZZLE	4							
8	2	24351-030750	O-RING, 1A3075	1							
9	2	123907-11310	GASKET, BONNET	1							
10	2	123907-12110	GASKET, MANIFOLD	1							
11	2	123900-77020	GASKET	1							
12	2	123900-77030	GASKET	1							
13	2	123900-13111	GASKET	1							
13-1	2	123907-13110	GASKET	1							S
(A=EV00872)											
14	2	129400-13201	GASKET, SILENCER	2							
15	2	24321-000850	O-RING, 1AG85.0	1							
16	2	124950-11340	SEAL, VALVE STEM	8							
17	2	123900-33060	GASKET	1							
18	2	123900-42050	GASKET, WATER PUMP	1							
19	2	124610-49291	GASKET	1							
20	2	123500-49550	GASKET	1							
21	2	22190-080002	WASHER, SEAL 6	1							
22	2	24311-240100	O-RING, 1AP10A	1							
23	2	24341-000240	O-RING, 1AS24.0	1							
24	2	23414-100000	GASKET, 10X1.0	2							
25	2	124465-44950	GASKET, 16	1							
26	2	129900-32030	O-RING, P20	1							
27	2	129900-32040	O-RING, P14	1							
28	2	24311-000110	O-RING, 1AP11.0	1							
29	2	24311-000120	O-RING, 1AP12.0	8							
30	2	24314-000180	O-RING, 4CP18.0	1							
31	2	23414-080000	GASKET, 8X1.0	6							
32	2	129150-49360	GASKET	1							
33	2	123907-59550	GASKET	4							
34	1	129400-92450	HONE	1							1
35	1	97770-01212	GASKET, LIQUID	1							1

Remarks  
 (1) OPTIONAL PART.

N:Old  $\frac{100}{100}$  New, Q:Old  $\frac{100}{100}$  New, R:Old  $\frac{100}{100}$  New, S:Old  $\frac{100}{100}$  New, W:Add, Z:Discontinued, F:Interchangeable by set, K:Qty Change  
 Copyright (C) YANMAR GLOBAL CS CO., LTD. All Rights Reserved.

Fig.18. FUEL INJECTION PUMP (INNER PARTS)



(A)=4TNV106-NTB  
(B)=  
(C)=

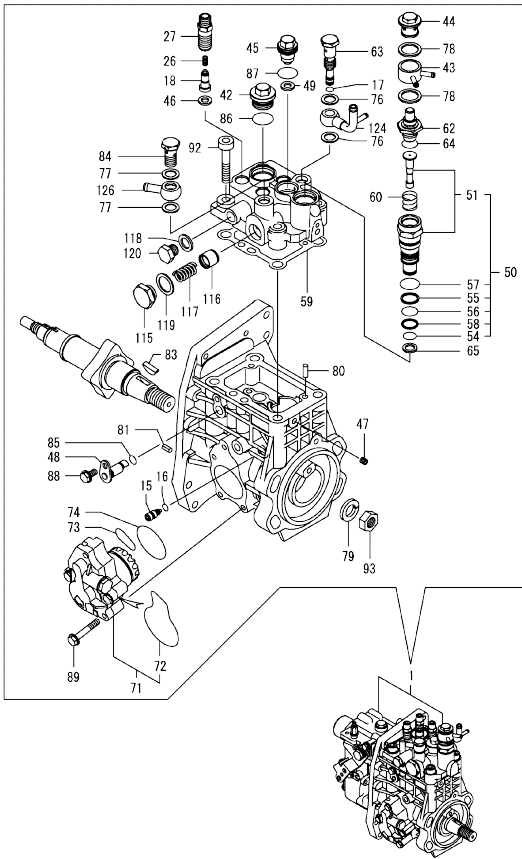
(D)=  
(E)=  
(F)=

No.	Lev.	Parts No.	Description	Qty						I	R	
				(A)	(B)	(C)	(D)	(E)	(F)			
1	1	723944-51300	PUMP ASSY, INJECTION	1							1	
15	2	158600-51270	STOPPER, TAPPET	1								
16	2	158563-51281	O-RING, 4D S6	1								
17	2	158563-51281	O-RING, 4D S6	1								
18	2	158560-51300	VALVE ASSY, DELIVERY	4								
26	2	158563-51330	SPRING, DELIVERY	4								
27	2	129907-51340	HOLDER, DELIVERY	4								
42	2	158601-51550	PLUG	1								
43	2	158553-51551	JOINT	1								
44	2	158601-51570	PLUG	1								
45	2	129907-51560	PLUG, BARREL	1								
46	2	158552-51570	GASKET	4								
47	2	158557-51570	PLUG	1								
48	2	158552-51580	LIFTER	1								
49	2	129906-51580	GASKET	1								
50	2	119802-51590	TIMER SET	1								
51	3	119802-51600	TIMER ASSY	1								
54	3	158553-51670	O-RING, 1011	1								
55	3	119802-51680	RING, BACK UP	1								
56	3	119802-51690	O-RING	1								
57	3	24356-010200	O-RING, 4D1020	1								
58	3	24372-000150	RING, BACK UP T2P15	1								
59	2	158560-51600	GASKET	1								
60	2	158553-51630	SPRING, TIMER	1								
62	2	158553-51640	ELEMENT	1								
63	2	158601-51650	JOINT, OVER FLOW	1								
64	2	158553-51660	O-RING, P14	1								
65	2	158553-51680	GASKET	1								
71	2	158552-52100	PUMP ASSY, FUEL FEED	1								
72	3	158552-52500	O-RING	1								
73	2	158552-52310	O-RING	1								
74	2	158552-52400	O-RING, 4E S42	1								
76	2	22190-120002	WASHER, SEAL 12	2								
77	2	22190-120002	WASHER, SEAL 12	2								
78	2	22190-180002	WASHER, SEAL 18	2								
79	2	22217-180000	WASHER, SPRING 18	1								
80	2	22312-050140	PIN, PARALLEL M5X14	2								
81	2	22351-050010	PIN, SPRING 5.0X10	2								
83	2	144626-51090	KEY, 5X19	1								
84	2	23857-060000	BOLT, JOINT 6	1								
85	2	24311-000070	O-RING, 1AP7.0	1								
86	2	24356-010200	O-RING, 4D1020	1								
87	2	24356-020210	O-RING, 4D2021	1								
88	2	26106-060102	BOLT, M6X 10 PLATED	1								
89	2	26106-060352	BOLT, M6X 35 PLATED	4								
92	2	26450-100452	BOLT, M10X 45	4								
93	2	26776-180002	NUT, LOCK M18	1								
115	2	158601-51790	PLUG	1								
116	2	158601-51770	PISTON	1								
117	2	158552-51780	SPRING	1								
118	2	22190-120002	WASHER, SEAL 12	1								

Remarks  
(1) GOVERNOR ASSY(FIG.19) IS  
INCORPORATED IN THIS FOP.CMP  
(REF.NO.1).



Fig.18. FUEL INJECTION PUMP (INNER PARTS)



(A)=4TNV106-NTB  
(B)=  
(C)=

(D)=  
(E)=  
(F)=

No.	Lev.	Parts No.	Description	Q'ty						I	R
				(A)	(B)	(C)	(D)	(E)	(F)		
119	2	22190-180002	WASHER, SEAL 18	1							
120	2	23887-120002	PLUG, 12	1							
124	2	158552-51670	JOINT, OVER FLOW	1							
126	2	129916-59020	JOINT, PIPE 12	1							

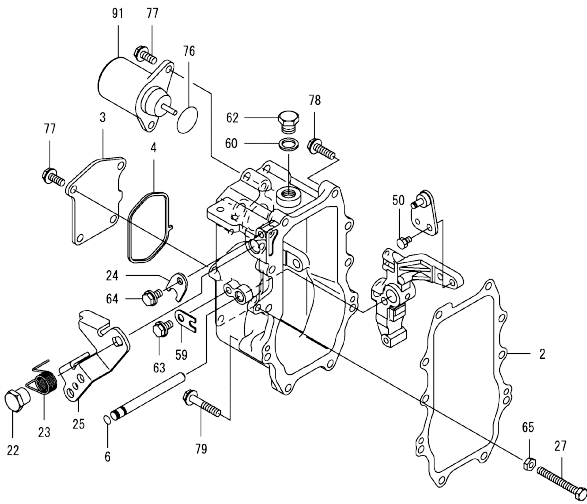
Remarks  
(1) GOVERNOR ASSY(FIG.19) IS  
INCORPORATED IN THIS FOP.CMP  
(REF.NO.1).

Fig.19. GOVERNOR (INNER PARTS)

(A)=4TNV106-NTB  
(B)=  
(C)=

(D)=  
(E)=  
(F)=

No.	Lev.	Parts No.	Description	Q'ty						I	R
				(A)	(B)	(C)	(D)	(E)	(F)		
2	2	158560-61050	GASKET	1							
3	2	158560-61061	COVER, GOVERNOR CASE	1							
4	2	158560-61071	GASKET	1							
6	2	129155-51280	O-RING, S6	1							
22	2	129255-61410	NUT, LOCK	1							
23	2	119807-61420	SPRING, RETURN	1							
24	2	158560-61430	RETAINER, SHAFT	1							
25	2	158560-61442	LEVER, REGULATOR	1							
27	2	129155-61460	BOLT, IDLE	1							
50	2	26116-060102	BOLT, M6X 10 PLATED	1							
59	2	119660-61901	RETAINER, SHAFT	1							
60	2	22190-160002	WASHER, SEAL 16	1							
62	2	23887-160002	PLUG, 16	1							
63	2	26106-060102	BOLT, M6X 10 PLATED	1							
64	2	26106-060102	BOLT, M6X 10 PLATED	1							
65	2	26756-060002	NUT, LOCK M6	1							
76	2	158552-61900	O-RING	1							
77	2	26106-060142	BOLT, M6X 14 PLATED	6							
78	2	26106-060252	BOLT, M6X 25 PLATED	8							
79	2	26106-060402	BOLT, M6X 40 PLATED	2							
91	2	129612-77930	SOLENOID, STOP	1							



Remarks  
\* THIS FIGURE(GOVERNOR ASSY)IS  
INCORPORATED IN THE FUEL INJECTION  
PUMP ASSY(FIG.18).

## Parts No. Index

Parts No.	Fig. No.	Ref. No.	Parts No.	Fig. No.	Ref. No.	Parts No.	Fig. No.	Ref. No.	Parts No.	Fig. No.	Ref. No.
105010-39140	11	21	119802-11870	4	29	123900-13620	6	4	123907-11180	4	20
105025-59530	14	9		17	6	123900-14200	7	1	123907-11250	4	33
114250-39450	10	1	119802-49112	11	10	123900-21000	8	1	123907-11260	4	34
114250-53080	13	5	119802-49730	11	45	123900-21580	8	11	123907-11270	4	35
114250-53120	13	9	119802-51590	18	50	123900-21650	8	8	123907-11280	4	36
114250-53130	13	10	119802-51600	18	51	123900-23000	8	24	123907-11310	4	61
114250-53140	13	11	119802-51680	18	55	123900-23200	8	28		17	9
114250-53210	13	12	119802-51690	18	56	123900-23600	8	29	123907-11320	4	51
114250-53400	13	13	119802-55700	14	22	123900-23610	8	31	123907-11340	4	32
119005-35100	9	21	119802-55710	14	23	123900-23910	8	27	123907-11390	4	75
119005-77350	16	21	119807-61420	19	23	123900-25060	7	9	123907-11510	4	23
119117-12530	5	13	120325-11160	4	10	123900-25120	7	10	123907-11550	4	3
119117-12560	5	15	121023-01550	2	29	123900-32001	2	9	123907-11601	13	25
119117-12570	5	16	121023-26070	2	11	123900-33060	9	10	123907-11650	4	37
119129-77920	16	24	121236-77340	16	20		17	17	123907-11660	4	41
119131-18320	6	5	121250-44901	11	39	123900-34810	9	16	123907-11820	4	12
119131-77010	15	1	121250-49121	11	67	123900-34820	9	17	123907-11830	4	26
119131-77400	15	2	121250-59550	14	14	123900-35004	9	22	123907-11900	4	45
119131-77420	15	4	121254-77810	15	5	123900-39650	10	18	123907-12100	5	1
119131-77440	15	6	121550-49111	9	12	123900-42050	11	12	123907-12110	5	3
119131-77450	15	8	121750-59890	11	52		17	18		17	10
119131-77470	15	10	121850-01900	2	10	123900-49820	11	31	123907-13100	6	1 -1
119131-77480	15	11	121850-21130	8	10		17	4	123907-13110	6	2 -1
119131-77490	15	13	121850-21290	8	4	123900-77020	5	6		17	13 -1
119131-77500	15	12	121850-21680	8	9		17	11	123907-13700	6	4 -1
119131-77510	15	14	121850-21920	8	5	123900-77030	5	7	123907-13730	6	6 -1
119131-77520	15	15	121850-35230	9	4		17	12	123907-13800	6	3 -1
119131-77540	15	17	121850-35531	9	6	123900-77220	16	1	123907-14400	7	2
119131-77550	15	18	121851-11970	1	15	123900-77221	16	1 -1	123907-14580	7	3
119131-77590	15	22	121952-39830	9	7	123900-77330	16	19	123907-22050	8	16
119131-77600	15	23	122780-59100	13	26	123900-77340	16	15	123907-22090	8	14
119131-77610	15	24	123472-59120	13	27	123900-77820	16	9 -1	123907-25909	7	15
119131-77620	15	25	123500-49550	11	25	123907-01349	1	23	123907-39060	10	2
119131-77650	15	28		17	20		17	2	123907-39500	10	4
119131-77690	15	34	123655-44600	11	61	123907-01500	2	7	123907-42000	11	2
119140-12680	5	18	123672-01782	3	7	123907-01800	2	6	123907-49300	11	1
119160-12540	5	14	123900-01620	3	2	123907-01950	12	1	123907-49610	11	43
119160-59010	14	7	123900-01710	3	8	123907-01960	12	2	123907-49620	11	48
119173-22300	8	22	123900-01740	2	5	123907-03010	4	52	123907-49710	11	44
119174-01200	1	22	123900-01780	2	4	123907-03060	4	53	123907-49720	11	49
119260-34810	9	15	123900-02020	1	5	123907-03070	4	54	123907-53000	13	2
119285-66610	12	237	123900-02340	1	24	123907-03100	4	55	123907-55800	14	2
119560-59110	14	5	123900-02410	1	8	123907-03110	4	56	123907-59140	14	12
119575-01750	3	5	123900-02800	1	16	123907-03120	4	57	123907-59540	14	13
119620-01750	3	5 -1	123900-02930	1	19	123907-03140	4	58	123907-59550	14	15
119625-11880	4	30	123900-02940	1	27	123907-07900	4	1		17	33
	17	7	123900-13100	6	1	123907-11100	4	17	123907-59560	14	16
119640-01640	3	9	123900-13111	6	2	123907-11110	4	18	123907-59729	13	28
119640-61400	4	62		17	13	123907-11120	4	19	123907-59810	13	30
119660-61901	19	59	123900-13600	6	3	123907-11160	4	11	123907-59820	13	31

## Parts No. Index

Parts No.	Fig. No.	Ref. No.	Parts No.	Fig. No.	Ref. No.	Parts No.	Fig. No.	Ref. No.	Parts No.	Fig. No.	Ref. No.
123907-59830	13	32	124722-59050	11	46	129900-77950	16	13	171051-01921	1	4
123907-59840	13	33			50	129900-77960	16	14	22137-100000	16	16
123910-33011	9	1	124950-11340	4	22	129900-77970	16	10	22190-080002	10	20
123910-33041	9	2		17	16	129900-77980	16	9		14	17
123910-33100	9	11	127410-21480	8	13	129906-51580	18	49		17	21
123910-44740	11	17	129004-55610	14	1	129907-51340	18	27	22190-120002	18	76
123910-49033	11	34	129100-01580	3	1	129907-51560	18	45			77
123910-77910	16	6	129100-55690	14	24	129916-21610	8	9 -1			118
123911-12040	5	10	129107-44590	11	58	129916-21610	8	9 -1	22190-160002	19	60
123911-12500	5	11	129150-02450	7	4	129950-59221	14	8	22190-180002	18	78
123911-12510	5	12	129150-11230	4	39	129953-25300	7	14			119
123911-13510	6	9			43	129953-52100	14	20	22190-220002	3	11
123911-13550	6	10	129150-11750	4	25	129957-59040	14	4	22217-180000	18	79
123911-13650	6	11			40	129960-21640	8	7 -1	22252-000370	8	23
123911-13660	6	12			44	144626-51090	18	83	22312-050140	18	80
123911-13670	6	13	129150-49360	11	42	148616-44510	11	59	22312-080160	2	14
123911-44780	11	18		17	32	148616-44551	11	60	22351-030010	10	19
123911-49010	11	63	129155-51280	19	6	158552-51570	18	46	22351-050010	18	81
123911-49020	11	64	129155-61460	19	27	158552-51580	18	48	22351-060012	1	9
123915-42450	11	15	129209-61940	12	234	158552-51670	18	124	22512-070140	7	7
123915-77500	5	8	129255-61410	19	22	158552-51780	18	117		8	6
123930-44500	11	53	129335-59090	14	6	158552-52100	18	71	22857-500100	4	63
123930-44560	11	55	129400-13201	6	8	158552-52310	18	73			64
123930-44570	11	56		17	14	158552-52400	18	74	23000-013000	14	10
123930-44580	11	57	129400-77640	15	32	158552-52500	18	72	23000-025000	11	38
123930-44901	11	62	129400-92450	17	34	158552-61900	19	76	23000-054000	11	69
123946-01780	2	4 -1	129486-59320	11	47	158553-51551	18	43	23000-060000	11	70
123946-21660	8	8 -1	129535-52150	14	21	158553-51630	18	60	23000-102000	5	19
123946-42480	11	16	129612-12650	5	17	158553-51640	18	62	23000-115000	5	20
123946-49040	11	35	129612-77910	16	26	158553-51660	18	64	23387-040800	11	29
123946-49660	11	37	129612-77920	16	27	158553-51670	18	54	23414-080000	10	8
123946-49810	11	20	129612-77930	19	91	158553-51680	18	65		11	30
123962-49500	11	24	129693-44310	6	6	158557-51570	18	47		14	18
124066-59100	14	11	129792-39410	10	12	158560-51300	18	18		17	31
124160-01751	2	27	129900-14100	7	6	158560-51600	18	59	23414-100000	10	9
	4	50	129900-21200	8	3	158560-61050	19	2		17	24
124160-11340	4	21	129900-21640	8	7	158560-61061	19	3	23414-180000	9	8
	17	5	129900-32030	2	12	158560-61071	19	4	23857-030000	10	10
124160-11360	4	65		17	26	158560-61430	19	24		14	19
124160-39140	10	7	129900-32040	2	13	158560-61442	19	25	23857-060000	18	84
124223-35510	9	5		17	27	158563-51281	18	16	23875-020000	11	9
124250-49351	11	41	129900-77100	16	23			17	23875-030000	1	10
124465-44950	11	40	129900-77800	16	2	158563-51330	18	26			13
	17	25	129900-77810	16	3	158600-51270	18	15		11	8
124550-77030	15	37	129900-77860	16	11	158601-51550	18	42	23876-005000	4	13
124610-12580	5	5	129900-77890	16	4	158601-51570	18	44	23876-020000	4	14
124610-48620	11	22	129900-77900	16	5	158601-51650	18	63		9	9
124610-49291	11	23	129900-77920	16	7	158601-51770	18	116	23876-030000	4	15
	17	19	129900-77930	16	8	158601-51790	18	115		11	27
124612-77920	16	25	129900-77940	16	12	171008-77450	15	7	23887-120002	18	120

## Parts No. Index

Parts No.	Fig. No.	Ref. No.
23887-160002	19	62
24190-080001	11	11
24311-000070	18	85
24311-000110	2	15
	17	28
24311-000120	4	31
		66
	17	29
24311-000150	12	236
24311-000160	11	68
	14	26
24311-000320	2	28
	4	67
	17	3
24311-240100	9	18
	17	22
24314-000180	9	23
	17	30
24321-000650	14	25
24321-000850	2	16
	17	15
24341-000240	2	30
	17	23
24341-000530	8	39
24351-030750	2	33
	17	8
24356-010200	18	57
		86
24356-020210	18	87
24372-000150	18	58
26014-060162	15	33
26014-080252	16	22
26106-060102	18	88
	19	63
		64
26106-060122	11	51
26106-060142	19	77
26106-060162	2	31
26106-060202	13	34
26106-060252	19	78
26106-060352	18	89
26106-060402	19	79
26106-060502	11	13
26106-080122	3	12
	10	11
		21
26106-080142	7	8
26106-080162	3	13
	12	230
26106-080182	9	19

Parts No.	Fig. No.	Ref. No.
26106-080202	2	17
		18
	12	231
		232
	13	35
26106-080252	11	28
26106-080302	9	24
	14	3
26106-080402	2	19
26106-080452	2	20
		21
26106-080502	2	22
26106-080552	7	13
	11	14
26106-080602	11	32
26106-080702	2	23
	5	4
	11	33
26106-080752	4	47
	9	13
26106-080802	2	24
26106-080902	4	48
26106-081002	9	14
26106-100162	12	233
26106-100182	9	20
26106-100202	4	2
26106-100222	2	25
26106-100352	3	6
26106-100452	5	9
26106-100602	11	19
26106-120162	9	25
26116-060102	19	50
26116-101202	16	17
26116-120302	15	36
26226-080302	4	46
26306-080002	4	49
	6	7
26306-100002	2	26
	6	7 -1
	16	18
26450-100452	18	92
26557-040102	15	35
26756-060002	19	65
26776-180002	18	93
27225-120160	1	14
27231-700000	1	11
27241-300000	1	12
27241-400000	4	16
27310-070001	4	27
721521-49100	11	65

Parts No.	Fig. No.	Ref. No.
723900-01570	2	1
723900-01580	2	1 -1
723907-01560	1	1
723907-11100	4	4
723907-22910	8	33
723907-22950	8	35
723907-53100	13	1
723907-92610	17	1
723907-92611	17	1 -1
723944-51300	12	3
	18	1
977770-01212	2	32
	17	35
X2130350900	15	3
X2240610100	15	16

Parts No.	Fig. No.	Ref. No.
-----------	----------	----------