

0CD50-M06300EN

P R E F A C E

This parts catalog is the 1st edition of 3TN86CHT-MWM for Weidmann.

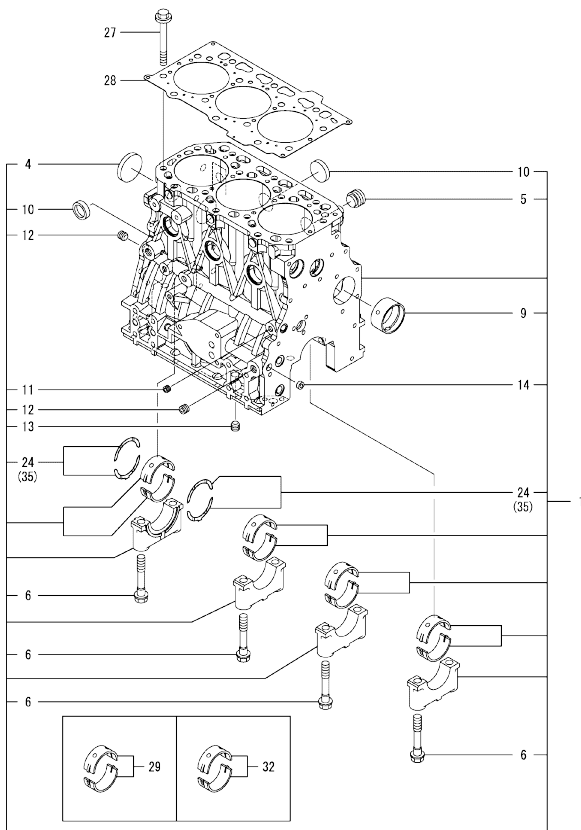
Published : September, 2020

Contents

0CD50-M06300

Fig. No.	Fig. Name	Fig. No.	Fig. Name
ENGINE			
1.	CYLINDER BLOCK		
2.	GEAR HOUSING		
3.	FLYWHEEL HOUSING & OIL SUMP		
4.	CYLINDER HEAD & BONNET		
5.	SUCTION MANIFOLD		
6.	EXHAUST MANIFOLD		
7.	DIESEL PARTICULATE FILTER(DPF)		
8.	CAMSHAFT & DRIVING GEAR		
9.	TURBINE		
10.	CRANKSHAFT & PISTON		
11.	LUB. OIL SYSTEM		
12.	LUB. OIL PIPE		
13.	COOLING WATER SYSTEM		
14.	FUEL SUPPLY PUMP		
15.	FUEL INJECTION VALVE		
16.	FUEL PIPE		
17.	STARTER MOTOR		
18.	GENERATOR		
19.	ELECTRONIC CONTROL UNIT(ECU)		
20.	ELECTRIC PARTS		
21.	ACCESSORY		

Fig.1. CYLINDER BLOCK



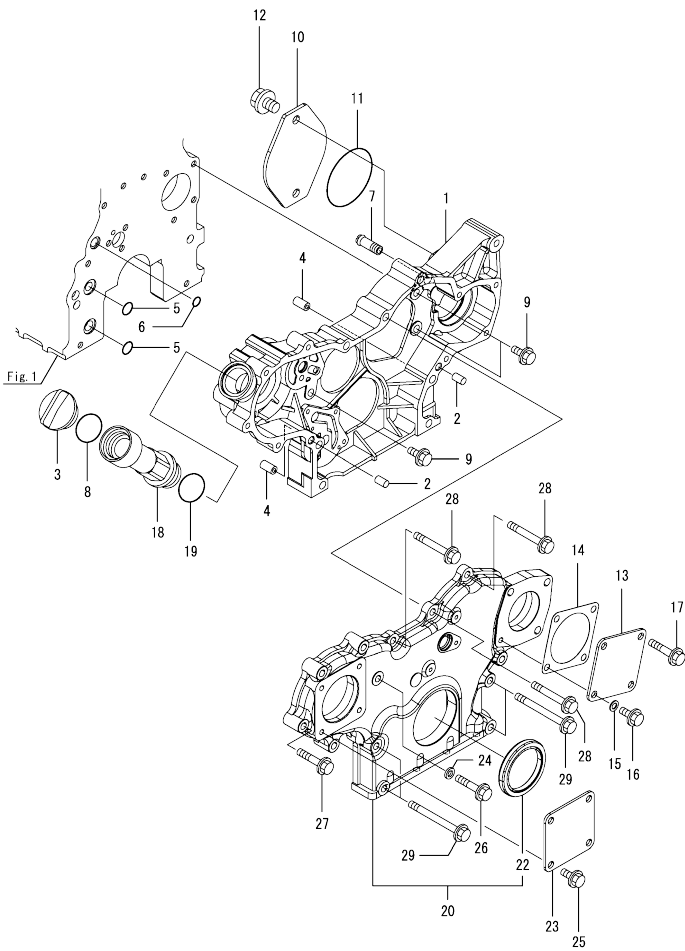
(A)=3TN86CHT-MWM
(B)=
(C)=

(D)=
(E)=
(F)=

No.	Lev.	Parts No.	Description	Q'ty						I	R
				(A)	(B)	(C)	(D)	(E)	(F)		
1	1	129A05-01150	BLOCK ASSY, CYLINDER	1							
4	2	129001-01250	PLUG, 50	1							
5	2	171051-01921	PLUG, NPTF1	1							
6	2	129150-02020	BOLT, METAL CAP	8							
9	2	129795-02412	BUSH, CAMSHAFT	1							
10	2	27241-300000	PLUG(30)	6							
11	2	124060-01050	PLUG, PT1/8	1							
12	2	124160-01910	PLUG, PT1/4	2							
13	2	124160-01910	PLUG, PT1/4	1							
14	2	27241-120000	PLUG, 12	1							
24	2	129150-02931	METAL ASSY, THRUST	2							
27	1	129150-01200	BOLT, CYLINDER HEAD	14							
28	1	129A05-01330	GASKET ASSY, HEAD	1							
29	1	129C05-02810	BEARING ASSY, MAIN	4							1
32	1	129C05-02600	BEARING ASSY, MAIN	4							2
35	1	129150-02941	METAL ASSY, 0.25 OS	1							3

Remarks
 (1)Spare parts.
 (2)Under-sized(U.S.=0.25) parts.
 (3)Over-sized(O.S.=0.25) parts.

Fig.2. GEAR HOUSING

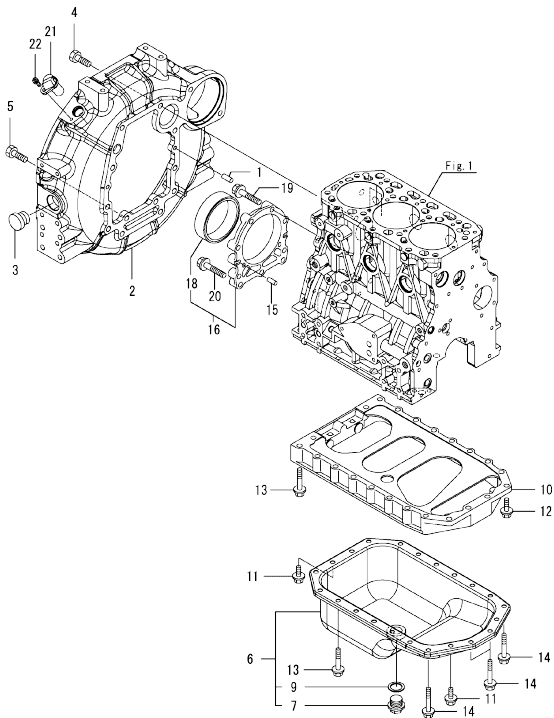


(A)=3TN86CHT-MWM
(B)=
(C)=

(D)=
(E)=
(F)=

No.	Lev.	Parts No.	Description	Qty						I	R
				(A)	(B)	(C)	(D)	(E)	(F)		
1	1	129A32-01510	CASE, GEAR	1							
2	1	129100-01580	PIN, PARALLEL 8X16	2							
3	1	124160-01751	CAP, FILLER	1							
4	1	129795-01950	PIPE, KNOCK L=18	2							
5	1	119609-32040	O-RING, P16	2							
6	1	119624-32040	O-RING, P12.0	1							
7	1	129122-44480	JOINT, PT1/4	1							
8	1	24311-000320	O-RING, 1AP32.0	1							
9	1	26106-080162	BOLT, M8X 16 PLATED	3							
10	1	121023-26071	COVER, PUMP	1							
11	1	24321-000850	O-RING, 1AG85.0	1							
12	1	26106-100202	BOLT, M10X 20 PLATED	2							
13	1	124240-01871	COVER, HYDRAULIC PUMP	1							
14	1	129C26-01890	GASKET, PUMP	1							
15	1	22190-080002	WASHER, SEAL 8	1							
16	1	26106-080142	BOLT, M8X 14 PLATED	1							
17	1	26106-080352	BOLT, M8X 35 PLATED	3							
18	1	121027-11743	PIPE, FILLER	1							
19	1	24311-000320	O-RING, 1AP32.0	1							
20	1	129C00-01550	COVER ASSY, CASE	1							
22	2	119934-01800	SEAL, OIL	1							
23	1	124240-01871	COVER, HYDRAULIC PUMP	1							
24	1	22190-080002	WASHER, SEAL 8	1							
25	1	26106-080162	BOLT, M8X 16 PLATED	4							
26	1	26106-080352	BOLT, M8X 35 PLATED	1							
27	1	26106-080402	BOLT, M8X 40 PLATED	5							
28	1	26106-080602	BOLT, M8X 60 PLATED	3							
29	1	26106-080852	BOLT, M8X 85 PLATED	4							

Fig.3. FLYWHEEL HOUSING & OIL SUMP



(A)=3TN86CHT-MWM
(B)=
(C)=

(D)=
(E)=
(F)=

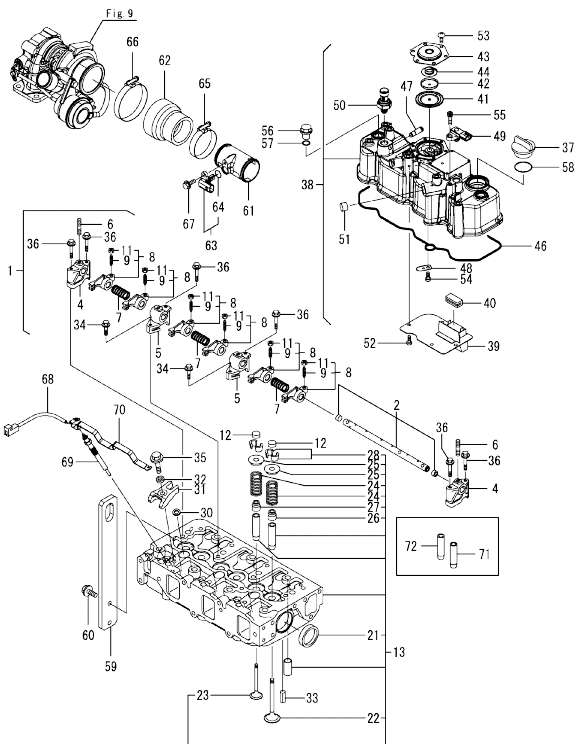
No.	Lev.	Parts No.	Description	Q'ty						I	R
				(A)	(B)	(C)	(D)	(E)	(F)		
1	1	129100-01580	PIN, PARALLEL 8X16	2							
2	1	129A24-01600	HOUSING, FLYWHEEL	1							
3	1	119620-01750	CAP, WHEEL COVER	1							
4	1	26206-100252	BOLT, M10X 25 PLATED	6							
5	1	26206-100302	BOLT, M10X 30 PLATED	4							
6	1	129121-01540	OIL PAN ASSY	1							
7	2	119640-01640	PLUG, DRAIN M22	1							
9	2	22190-220002	WASHER, SEAL 22	1							
10	1	129100-01730	SPACER, OIL PAN	1							
11	1	26106-080162	BOLT, M8X 16 PLATED	4							
12	1	26106-080252	BOLT, M8X 25 PLATED	2							
13	1	26106-080452	BOLT, M8X 45 PLATED	16							
14	1	26106-080502	BOLT, M8X 50 PLATED	4							
15	1	129100-01580	PIN, PARALLEL 8X16	2							
16	1	129648-01600	CASE ASSY, OIL SEAL	1							
18	2	129648-01780	SEAL, OIL	1							
19	1	129486-01670	BOLT, M8X30	6							
20	1	26106-080352	BOLT, M8X 35 PLATED	3							
21	1	129A00-21710	SENSOR, FLYWHEEL	1							1
22	1	26450-060162	BOLT, M6X 16	1							

Remarks

(1)When replacing this part, it is necessary to update the software of the ECU using the designated service tool. Please refer to the Service Manual for details.

Fig.4. CYLINDER HEAD & BONNET

(A)=3TN86CHT-MWM
(D)=
(E)=
(F)=



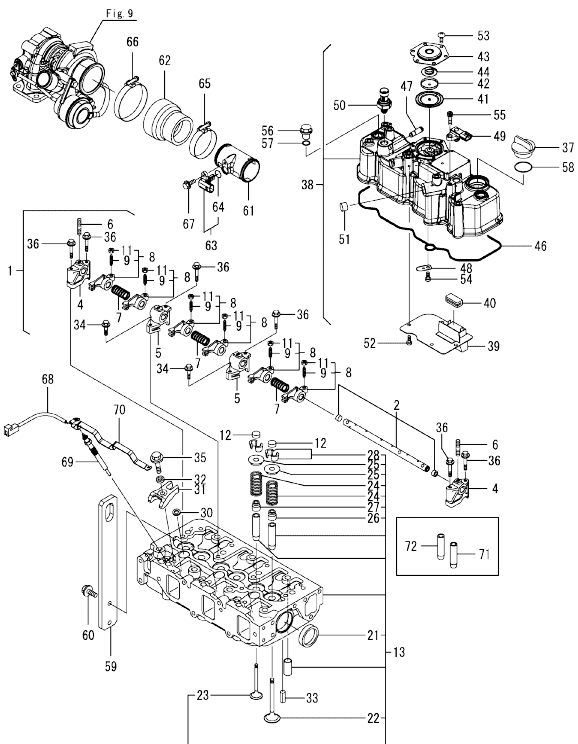
No.	Lev.	Parts No.	Description	Q'ty						I	R
				(A)	(B)	(C)	(D)	(E)	(F)		
1	1	129004-11241	SHAFT ASSY, ROCKER	1							
2	2	129004-11251	SHAFT, ROCKER ARM	1							
4	2	119802-11260	SUPPORT, ROCKER ARM	2							
5	2	119802-11270	SUPPORT, ROCKER ARM	2							
6	2	119802-11280	BOLT, STUD	3							
7	2	129150-11280	SPRING, SHAFT	3							
8	2	129004-11650	ARM ASSY, ROCKER	6							
9	3	129150-11230	SCREW, VALVE ADJUST	6							
11	3	129150-11750	NUT, M8XP1.0	6							
12	1	129150-11370	CAP, VALVE	6							
13	1	129A05-11700	HEAD ASSY, CYLINDER	1							
21	2	27241-400000	PLUG, 40	2							
22	2	129C05-11100	VALVE, SUCTION	3							
23	2	129100-11112	VALVE, EXHAUST	3							
24	2	129795-11120	SPRING, VALVE	6							
25	2	129795-11180	RETAINER, SPRING	6							
26	2	124460-11340	SEAL, VALVE STEM	3							
27	2	129A00-11340	SEAL, VALVE STEM	3							
28	2	27310-080001	COTTER, 8	6							
30	1	129978-11871	GASKET, INJECTOR	3							
31	1	129A00-11900	RETAINER, INJECTOR	3							
32	1	120270-54410	WASHER, INJECTOR	3							
33	1	22351-060012	PIN, SPRING 6.0X12	2							
34	1	26106-080252	BOLT, M8X 25 PLATED	2							
35	1	26106-080352	BOLT, M8X 35 PLATED	3							
36	1	26106-080502	BOLT, M8X 50 PLATED	6							
37	1	124160-01751	CAP, FILLER	1							
38	1	129A05-11351	BONNET ASSY	1							
39	2	129004-03010	PLATE, BAFFLE	1							
40	2	129150-03070	BAFFLE, BREATHER	1							
41	2	123907-03100	DIAPHRAGM, BREATHER	1							
42	2	123907-03110	PLATE, CENTER	1							
43	2	123907-03120	PLATE, BREATHER	1							
44	2	123907-03140	SPRING, DIAPHRAGM	1							
46	2	129A00-11310	GASKET, BONNET	1							
47	2	129A00-11330	JOINT	1							
48	2	129009-11340	SPRING, PLATE	1							
49	2	129C05-12700	SENSOR, INT PRESSURE	1							1
50	2	129C05-13700	SENSOR, EXH PRESSURE	1							
51	2	119640-61400	PLUG	1							
52	2	22857-500100	SCREW, 5X10	4							
53	2	22857-500100	SCREW, 5X10	6							
54	2	22857-500100	SCREW, 5X10	1							
55	2	26450-060162	BOLT, M6X 16	1							
56	1	124160-11360	KNOB, BONNET	3							
57	1	24311-000120	O-RING, 1AP12.0	3							
58	1	24311-000320	O-RING, 1AP32.0	1							
59	1	129973-07910	LIFTER	1							
60	1	26106-080202	BOLT, M8X 20 PLATED	2							
61	1	129978-03380	JOINT, BREATHER	1							
62	1	129A05-12061	HOSE, AIR INTAKE	1							

Remarks
(1)When replacing this part, it is necessary to update the software of the ECU using the designated service tool.
Please refer to the Service Manual for details.
(2)Spare parts.

Fig.4. CYLINDER HEAD & BONNET

(A)=3TN86CHT-MWM
(B)=
(C)=

(D)=
(E)=
(F)=



No.	Lev.	Parts No.	Description	Q'ty						I	R
				(A)	(B)	(C)	(D)	(E)	(F)		
63	1	129A00-12711	SENSOR, TEMPERATURE	1							
64	2	129A00-12790	O-RING, TEMP SENSOR	1							
65	1	23000-070000	CLAMP, 70	1							
66	1	23000-080000	CLAMP, 80	1							
67	1	26106-060162	BOLT, M6X 16 PLATED	1							
68	1	119803-77830	HARNES, WIRE	1							
69	1	129008-77800	PLUG, GLOW	3							
70	1	129A00-77820	CONNECTOR, GLOW PLUG	1							
71	1	120130-11860	GUIDE, VALVE	3							2
72	1	129150-11810	GUIDE, VALVE	3							2

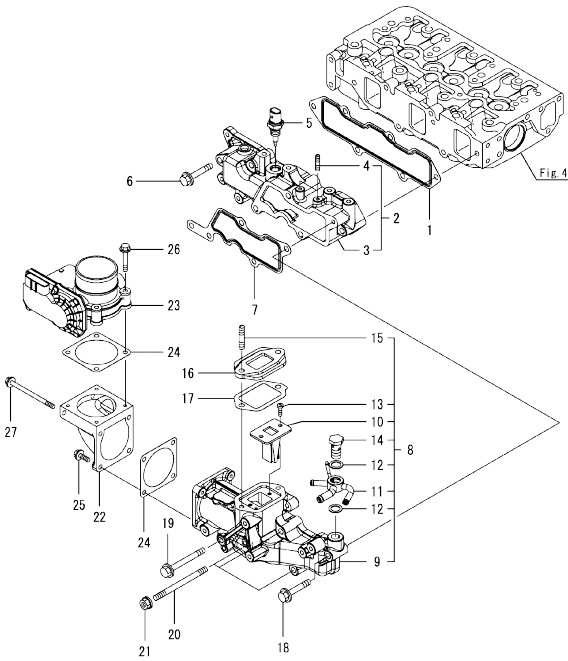
Remarks

- (1)When replacing this part, it is necessary to update the software of the ECU using the designated service tool. Please refer to the Service Manual for details.
- (2)Spare parts.

Fig.5. SUCTION MANIFOLD

(A)=3TN86CHT-MWM
(B)=
(C)=

(D)=
(E)=
(F)=

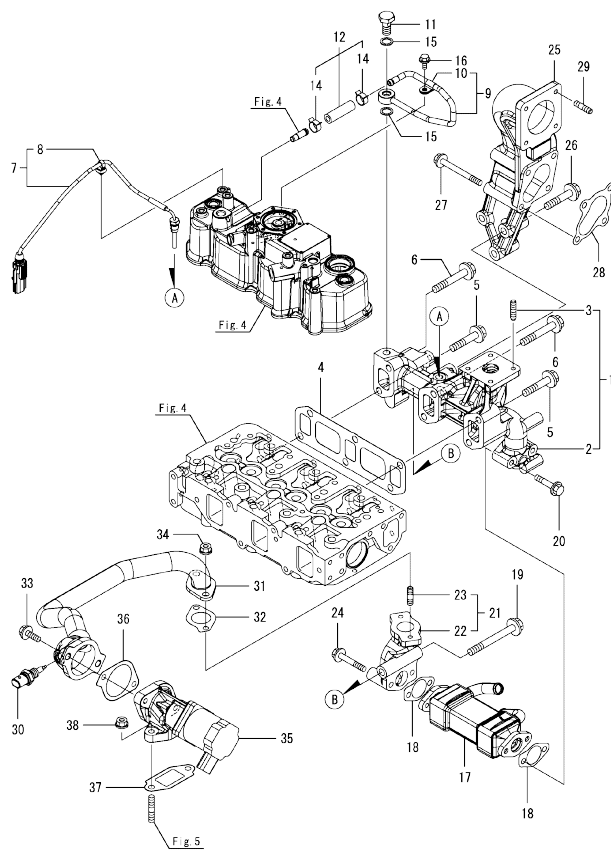


No.	Lev.	Parts No.	Description	Q'ty						I	R
				(A)	(B)	(C)	(D)	(E)	(F)		
1	1	129A00-12110	GASKET, MANIFOLD	1							
2	1	129A01-12150	MANIFOLD ASSY,INTAKE	1							
3	2	129A01-12100	MANIFOLD, INTAKE	1							
4	2	26216-060202	STUD, M6X 20	2							
5	1	129A00-12721	SENSOR,AIR TEMP	1							1
6	1	26106-080502	BOLT, M8X 50 PLATED	3							
7	1	129A00-12810	GASKET, COLLECTOR	1							
8	1	129A33-12900	COLLECTOR ASSY	1							
9	2	129A01-12800	COLLECTOR, INTAKE	1							
10	2	129C01-13700	VALVE, REED	1							
11	2	129A23-59130	JOINT, HOSE 4-WAY	1							
12	2	22190-140002	WASHER, SEAL 14	2							
13	2	22857-500160	SCREW, 5X16	2							
14	2	23857-080000	BOLT, JOINT 8	1							
15	2	26216-080352	STUD, M8X 35	2							
16	1	129A00-13710	SPACER, EGR VALVE	1							
17	1	129A00-13720	GASKET, EGR-V SPACER	1							
18	1	26106-080502	BOLT, M8X 50 PLATED	1							
19	1	26106-080752	BOLT, M8X 75 PLATED	1							
20	1	26216-081052	STUD, M8X105	3							
21	1	26306-080002	NUT, M8	3							
22	1	129A00-12820	BEND, INTAKE	1							
23	1	129A00-12900	THROTTLE, INTAKE	1							1
24	1	129A00-12910	GASKET, THROTTLE	2							
25	1	26106-060202	BOLT, M6X 20 PLATED	2							
26	1	26106-060402	BOLT, M6X 40 PLATED	4							
27	1	26106-060902	BOLT, M6X 90 PLATED	2							

Remarks

(1)When replacing this part, it is necessary to update the software of the ECU using the designated service tool. Please refer to the Service Manual for details.

Fig.6. EXHAUST MANIFOLD



(A)=3TN86CHT-MWM
(B)=
(C)=

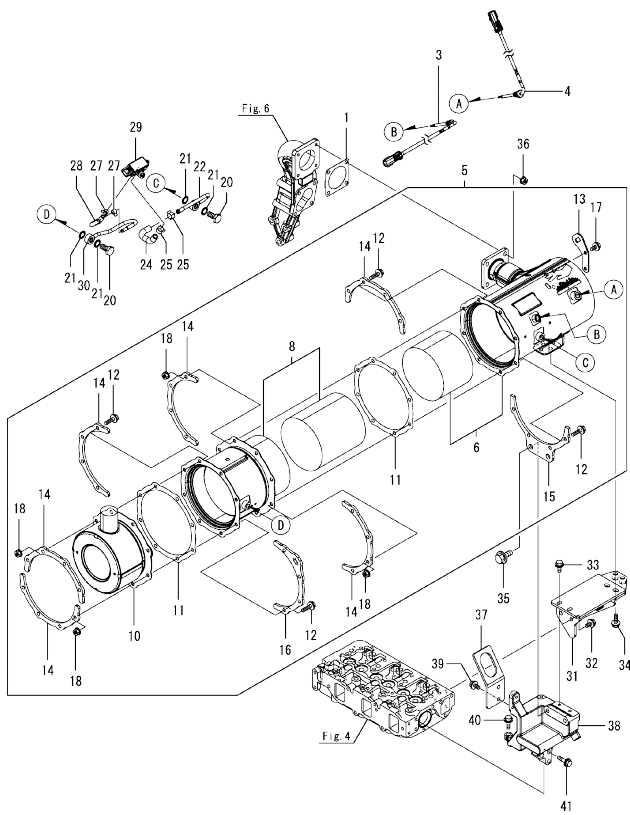
(D)=
(E)=
(F)=

No.	Lev.	Parts No.	Description	Q'ty						I	R
				(A)	(B)	(C)	(D)	(E)	(F)		
1	1	129A05-13100	MANIFOLD, EXHAUST	1							
2	2	129A05-13110	MANIFOLD, EXHAUST	1							
3	2	129C05-13120	STUD, M8X20	4							
4	1	129A00-13110	GASKET, MANIFOLD	1							
5	1	129A01-13601	BOLT, M10X50 10.9T	2							
6	1	129F01-13620	BOLT, M10X65 10.9T	4							
7	1	129A00-13770	SENSOR, TEMPERATURE	1							1
8	2	129A00-91200	CLIP, BAND	1							
9	1	129A05-13300	PIPE ASSY, PRESSURE	1							
10	2	23297-080061	CLAMP, ABX 6	1							
11	1	129A00-13350	BOLT, PIPE JOINT	1							
12	1	129A05-13360	HOSE ASSY, PRES EXH	1							
14	2	129A00-13380	CLIP, HOSE 14	2							
15	1	23414-120000	GASKET, 12X1.0	2							
16	1	26106-060122	BOLT, M6X 12 PLATED	1							
17	1	129A00-13400	COOLER, EGR	1							
18	1	129A00-13410	GASKET, EGR COOLER	2							
19	1	129F01-13600	BOLT, M10X90 10.9T	1							
20	1	129E00-13620	BOLT, M8X40 10.9	2							
21	1	129A00-13851	PIPE, EGR OUTLET	1							
22	2	129A00-13861	PIPE, EGR OUTLET	1							
23	2	129418-18320	STUD, M8X20	2							
24	1	26106-080502	BOLT, M8X 50 PLATED	2							
25	1	129A75-13360	PIPE, EXHAUST	1							
26	1	129E00-13601	BOLT, M10X55 10.9T	3							
27	1	129E00-13640	BOLT, M8X80 10.9T	4							
28	1	129C05-18090	GASKET,TC OUT	1							
29	1	119131-18320	STUD, M8X22	4							
30	1	129A00-13752	SENSOR,EGR GAS TEMP	1							1
31	1	129A00-13800	PIPE, EGR	1							
32	1	129927-13810	GASKET, EGR PIPE	1							
33	1	26106-080252	BOLT, M8X 25 PLATED	2							
34	1	26306-080002	NUT, M8	2							
35	1	129A00-13901	VALVE, EGR	1							1
36	1	129A00-13910	GASKET, EGR-V INLET	1							
37	1	129A00-13920	GASKET, EGR-V OUTLET	1							
38	1	26306-080002	NUT, M8	2							

Remarks

(1)When replacing this part, it is necessary to update the software of the ECU using the designated service tool. Please refer to the Service Manual for details.

Fig.7. DIESEL PARTICULATE FILTER(DPF)



(A)=3TN86CHT-MWM
(B)=
(C)=

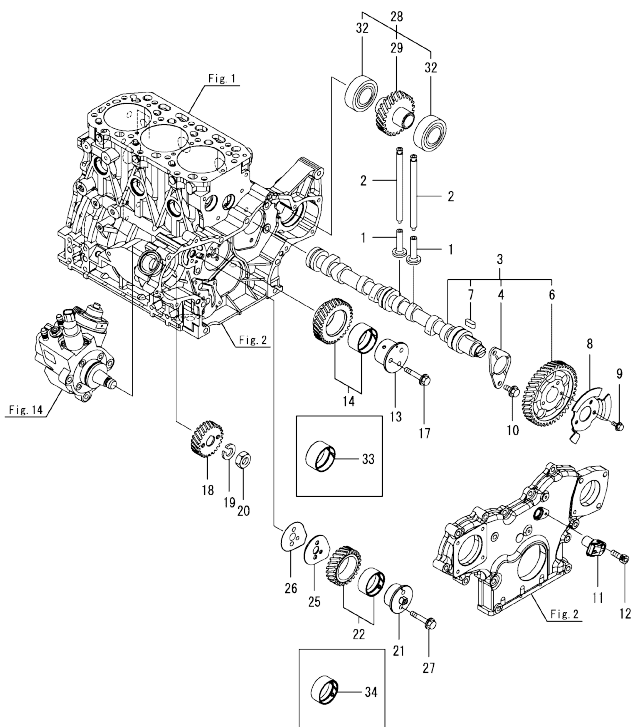
(D)=
(E)=
(F)=

No.	Lev.	Parts No.	Description	Qty						I	R
				(A)	(B)	(C)	(D)	(E)	(F)		
1	1	129930-13201	GASKET, SILENCER	1							
3	1	129C23-13930	SENSOR, ATD TEMP.DS+	1							1
4	1	129C23-13940	SENSOR, ATD TEMP.DS+	1							1
5	1	129A75-16060	DPF ASSY	1							1
6	2	129A75-16240	CASE, DOC	1							1
8	2	129A75-16430	CASE, SOOT FILTER	1							1
10	2	129A20-16510	SILENCER, DPF	1							
11	2	129A00-16600	GASKET, DPF	2							
12	2	129A00-16610	BOLT, M8X28 10.9T	16							
13	2	129C01-16690	LIFTER, DPF	1							
14	2	129A00-16700	STIFFENER, DPF A	6							
15	2	129A23-16700	STIFFENER, DPF B	1							
16	2	129A00-16740	STIFFENER, DPF C	1							
17	2	26106-080142	BOLT, M8X 14 PLATED	2							
18	2	26306-080002	NUT, M8	16							
20	1	129A00-13350	BOLT, PIPE JOINT	2							
21	1	129A00-17311	GASKET, SENSOR	4							
22	1	129A00-17340	PIPE ASSY, SENSOR	1							
24	1	129E22-17500	HOSE, PRES EXH	1							
25	1	129A00-17520	CLIP, HOSE	2							
27	1	129A00-17570	CLIP, HOSE	2							
28	1	129A33-17580	HOSE, PRES EXH	1							
29	1	129978-17700	SENSOR, PRESSURE	1							1
30	1	129A33-17880	PIPE ASSY, SENSOR	1							
31	1	129A35-17430	BRACKET,DPF B	1							
32	1	26106-080162	BOLT, M8X 16 PLATED	2							
33	1	26106-080162	BOLT, M8X 16 PLATED	2							
34	1	26106-080252	BOLT, M8X 25 PLATED	2							
35	1	26106-120202	BOLT, M12X 20 PLATED	2							
36	1	26306-080002	NUT, M8	4							
37	1	129A35-07960	LIFTER, ENGINE	1							
38	1	129A35-17382	STAY, DPF A	1							
39	1	26106-080162	BOLT, M8X 16 PLATED	2							
40	1	26106-080252	BOLT, M8X 25 PLATED	1							
41	1	26106-080352	BOLT, M8X 35 PLATED	3							

Remarks

(1)When replacing this part, it is necessary to update the software of the ECU using the designated service tool. Please refer to the Service Manual for details.

Fig.8. CAMSHAFT & DRIVING GEAR



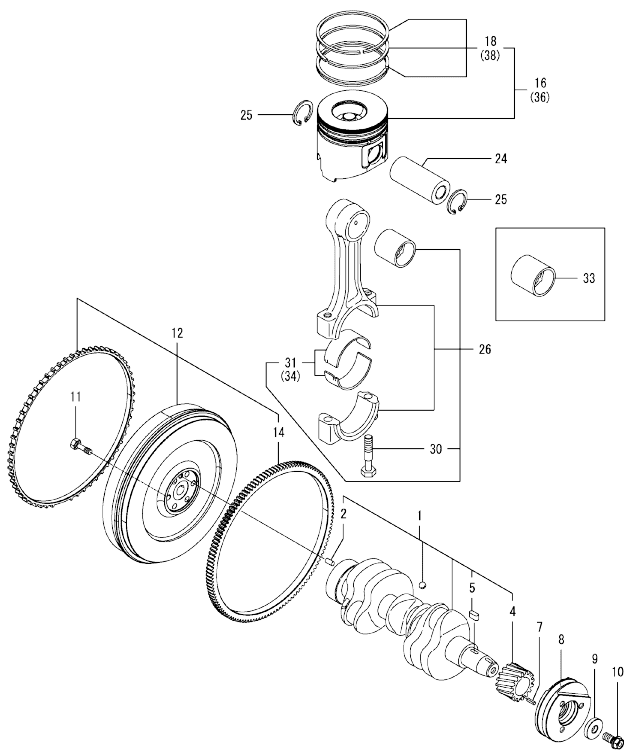
(A)=3TN86CHT-MWM
(B)=
(C)=

(D)=
(E)=
(F)=

No.	Lev.	Parts No.	Description	Q'ty						I	R
				(A)	(B)	(C)	(D)	(E)	(F)		
1	1	129150-14200	TAPPET	6							
2	1	129150-14400	ROD, PUSH L=178	6							
3	1	129A00-14580	CAMSHAFT ASSY	1							
4	2	129150-02450	METAL, THRUST	1							
6	2	129A00-14100	GEAR, CAMSHAFT	1							
7	2	22512-070140	KEY, 7X 14	1							
8	1	129A00-14701	PULSER, CAMSHAFT	1							
9	1	26106-060102	BOLT, M6X 10 PLATED	3							
10	1	26106-080142	BOLT, M8X 14 PLATED	2							
11	1	129A00-14710	SENSOR, ROTATION	1							
12	1	26450-060162	BOLT, M6X 16	1							
13	1	129A00-25050	SHAFT, IDLE GEAR A	1							
14	1	129A00-25110	GEAR ASSY, IDLE A	1							
17	1	26106-080452	BOLT, M8X 45 PLATED	3							
18	1	129A00-25900	GEAR, SUPPLY PUMP	1							
19	1	22217-180000	WASHER, SPRING 18	1							
20	1	26776-180002	NUT, LOCK M18	1							
21	1	129A00-25060	SHAFT, IDLE GEAR B	1							
22	1	129A00-25120	GEAR ASSY, IDLE B	1							
25	1	129A00-25200	PLATE, IDLE SHAFT B	1							
26	1	129A00-25210	GASKET, IDLE SHAFT B	1							
27	1	26106-080402	BOLT, M8X 40 PLATED	2							
28	1	129A88-26000	DRIVE ASSY, PUMP	1							
29	2	129484-26210	GEAR ASSY, PUMP	1							
32	2	24105-060064	BEARING, BALL 6006Z	2							
33	1	119802-25071	BUSH, IDLE GEAR	1							1
34	1	129A00-25080	BUSH, IDLE GEAR B	1							1

Remarks
(1)Spare parts.

Fig.10. CRANKSHAFT & PISTON



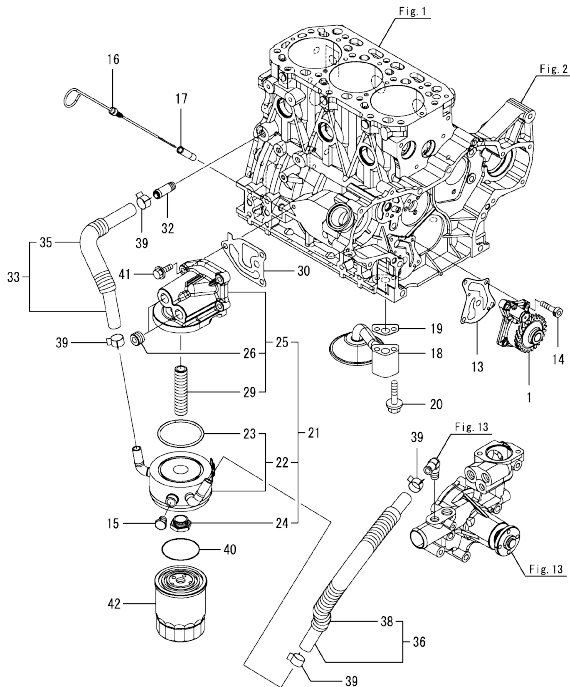
(A)=3TN86CHT-MWM
(B)=
(C)=

(D)=
(E)=
(F)=

No.	Lev.	Parts No.	Description	Q'ty						I	R
				(A)	(B)	(C)	(D)	(E)	(F)		
1	1	129A05-21000	CRANKSHAFT ASSY	1							
2	2	129100-01580	PIN, PARALLEL 8X16	1							
4	2	119803-21200	GEAR, CRANKSHAFT	1							
5	2	22512-070140	KEY, 7X 14	1							
7	1	22351-030010	PIN, SPRING 3.0X10	1							
8	1	129005-21650	V-PULLEY, CRANKSHAFT	1							
9	1	129795-21661	WASHER, 14	1							
10	1	121850-21680	BOLT, V-PULLEY	1							
11	1	121111-21501	BOLT, FLYWHEEL	6							
12	1	129A24-21590	FLYWHEEL ASSY	1							
14	2	124550-21600	GEAR, RING Z=127	1							
16	1	129C05-22000	PISTON ASSY	3							
18	2	129C05-22050	RING ASSY, PISTON	3							
24	1	129573-22301	PIN, PISTON D28 L69	3							
25	1	22252-000280	RING, 28	6							
26	1	129C05-23900	ROD ASSY, CONNECTING	3							
30	2	121550-23200	BOLT, CONNECTING ROD	6							
31	2	129C05-23600	BEARING ASSY, PIN	3							
33	1	129C05-23910	BUSH, PISTON PIN	3							1
34	1	129C05-23610	BEARING ASSY, PIN US	3							2
36	1	129C05-22900	PISTON ASSY, 0.25 OS	3							3
38	2	129C05-22950	RING ASSY, PISTON OS	3							3

Remarks
 (1)Spare parts.
 (2)Under-sized(U.S.=0.25) parts.
 (3)Over-sized(O.S.=0.25) parts.

Fig.11. LUB. OIL SYSTEM



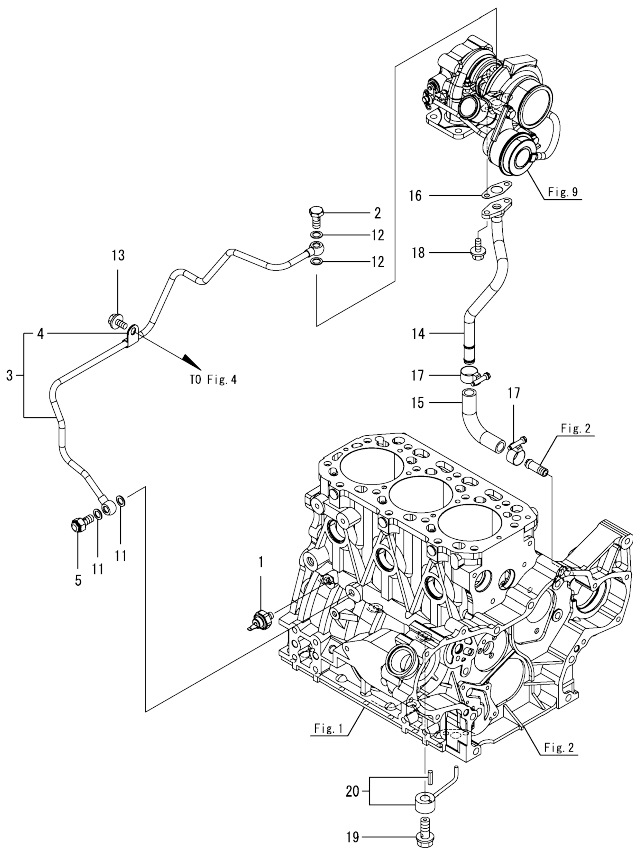
(A)=3TN86CHT-MWM
(B)=
(C)=

(D)=
(E)=
(F)=

No.	Lev.	Parts No.	Description	Q'ty						I	R
				(A)	(B)	(C)	(D)	(E)	(F)		
1	1	129A05-32000	PUMP ASSY, OIL	1							
13	1	129486-32020	GASKET, PUMP	1							
14	1	26450-060252	BOLT, M6X 25	4							
15	1	171056-49120	PLUG, DRAIN R1/4	1							
16	1	129005-34802	DIPSTICK, OIL	1							
17	1	121520-34810	GUIDE, DIPSTICK	1							
18	1	129C61-35000	PIPE ASSY, OIL INLET	1							
19	1	129150-35042	GASKET, INLET PIPE	1							
20	1	26106-080552	BOLT, M8X 55 PLATED	2							
21	1	129A75-35110	BRACKET ASSY, FILTER	1							
22	2	129949-33010	COOLER ASSY, OIL	1							
23	3	123912-33050	O-RING	1							
24	2	129417-33111	NUT, OIL COOLER	1							
25	2	129C33-35150	BRACKET ASSY, LO FILT	1							
26	3	129033-01770	PLUG, SCREW NPT1/2	2							
29	3	129648-35150	STUD	1							
30	1	129103-35122	GASKET, BRACKET	1							
32	1	129122-44480	JOINT, PT1/4	1							
33	1	129949-49110	PIPE ASSY, WATER	1							
35	2	129956-49190	TUBE, CORRUGATED	1							
36	1	129956-49210	PIPE ASSY, WATER	1							
38	2	129956-49230	TUBE, CORRUGATED	1							
39	1	23080-018000	CLAMP, 18	4							
40	1	24321-000600	O-RING, 1AG60.0	1							
41	1	26106-080252	BOLT, M8X 25 PLATED	3							
42	1	119005-35151	FILTER, OIL D80X100	1							1

Remarks
(1) Spare parts.

Fig.12. LUB. OIL PIPE

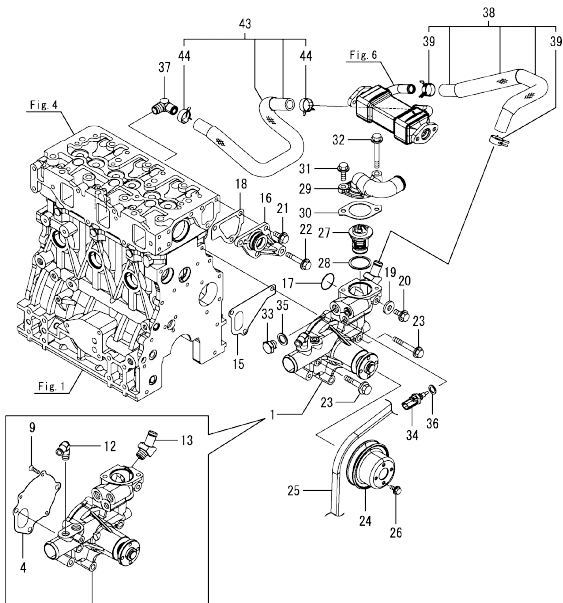


(A)=3TN86CHT-MWM
(B)=
(C)=

(D)=
(E)=
(F)=

No.	Lev.	Parts No.	Description	Q'ty						I	R
				(A)	(B)	(C)	(D)	(E)	(F)		
1	1	119761-39450	SWITCH, HYDRAULIC	1							
2	1	121252-39150	BOLT, JOINT M10X1.5	1							
3	1	129A05-39450	PIPE ASSY, LO T/C	1							
3-1	1	129A05-39451	PIPE ASSY, LO T/C	1							N
		(A=E00369)									
4	2	124223-39900	RETAINER	1							
5	1	129C05-39700	VALVE ASSY, CHECK	1							
11	1	22190-100002	WASHER, SEAL 10	2							
12	1	23414-100000	GASKET, 10X1.0	2							
13	1	26106-080122	BOLT, M8X 12 PLATED	1							
14	1	129A05-39600	PIPE, LO RETURN	1							
15	1	129266-39620	JOINT, OIL PIPE	1							
16	1	129C05-39690	GASKET, LO PIPE RTRN	1							
17	1	23000-022000	CLAMP, 22	2							
18	1	26106-060162	BOLT, M6X 16 PLATED	2							
19	1	129C05-39410	VALVE ASSY, CHECK	3							
20	1	129C05-39650	NOZZLE, PISTON	3							

Fig.13. COOLING WATER SYSTEM



(A)=3TN86CHT-MWM
(B)=
(C)=

(D)=
(E)=
(F)=

No.	Lev.	Parts No.	Description	Q'ty						I	R
				(A)	(B)	(C)	(D)	(E)	(F)		
1	1	129A24-42011	PUMP ASSY, CW	1							
4	2	129100-42051	GASKET, WATER PUMP	1							
9	2	129150-42290	SCREW, FLAT M6X15	3							
12	2	129103-49301	ELBOW, PT1/4	1							
13	2	129C26-49300	ELBOW, R3/8	1							
15	1	129486-42021	GASKET, WATER PUMP	1							
16	1	129004-42040	JOINT, WATER PIPE	1							
17	1	129486-42140	O-RING, G30	1							
18	1	124395-49840	GASKET, THERMOSTAT	1							
19	1	23414-080000	GASKET, 8X1.0	1							
20	1	26106-080122	BOLT, M8X 12 PLATED	1							
21	1	26106-080162	BOLT, M8X 16 PLATED	3							
22	1	26106-080452	BOLT, M8X 45 PLATED	1							
23	1	26106-080602	BOLT, M8X 60 PLATED	3							
24	1	129155-42350	V-PULLEY, PUMP	1							
25	1	129612-42360	V-BELT, A39	1							
26	1	26106-060122	BOLT, M6X 12 PLATED	4							
27	1	129457-49801	THERMOSTAT, 82C	1							
28	1	129150-49811	GASKET, THERMOSTAT	1							
29	1	129A33-49530	COVER, THERMOSTAT	1							
30	1	129795-49551	GASKET, COVER	1							
31	1	26106-080222	BOLT, M8X 22 PLATED	1							
32	1	26106-080502	BOLT, M8X 50 PLATED	1							
33	1	121450-42450	PLUG, M16	1							
34	1	129927-44900	SENSOR, TEMPERATURE	1							1
35	1	124465-44950	GASKET, 16	1							
36	1	22190-120002	WASHER, SEAL 12	1							
37	1	129051-49310	ELBOW, PT3/8	1							
38	1	129A75-49600	HOSE ASSY, EGR-C OUT	1							
39	2	129960-03990	CLAMP, HOSE 19.8	2							
43	1	129A23-49610	PIPE ASSY, WATER	1							
44	2	129960-03990	CLAMP, HOSE 19.8	2							

Remarks

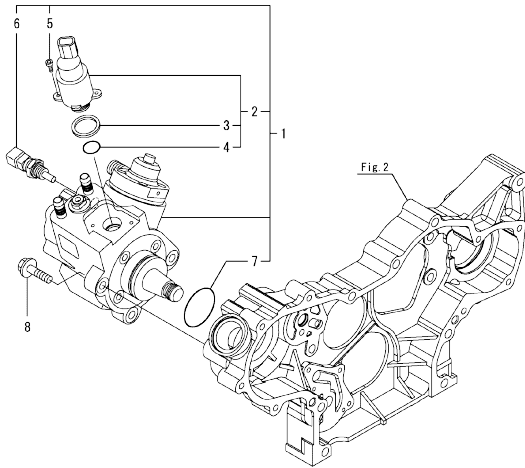
(1)When replacing this part, it is necessary to update the software of the ECU using the designated service tool. Please refer to the Service Manual for details.

Fig.14. FUEL SUPPLY PUMP

(A)=3TN86CHT-MWM
(B)=
(C)=

(D)=
(E)=
(F)=

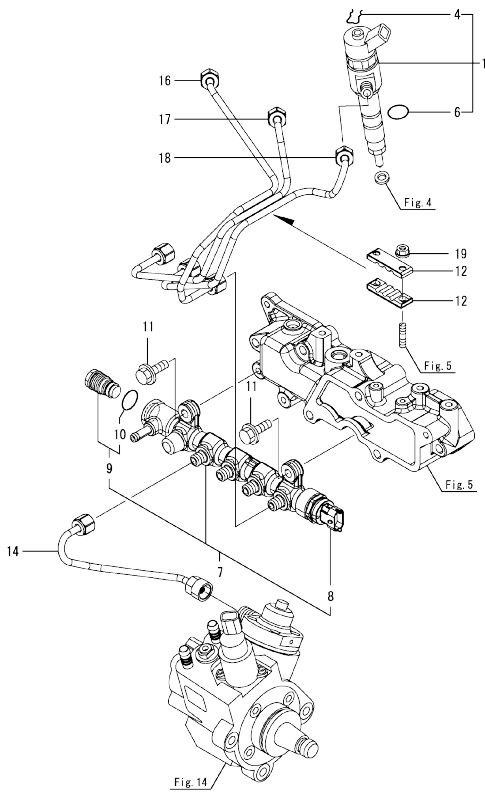
No.	Lev.	Parts No.	Description	Q'ty						I	R
				(A)	(B)	(C)	(D)	(E)	(F)		
1	1	129C28-51000	PUMP ASSY, FUEL	1							1
2	2	129A00-51100	VALVE ASSY	1							1
3	3	129A00-51110	RING, SEAL	1							
4	3	129A00-51120	O-RING, MPROP	1							
5	2	129A00-51130	BOLT, MPROP	2							
6	2	129A00-51200	SENSOR, TEMPERATURE	1							1
7	2	129A00-51900	O-RING, FUEL PUMP	1							
8	1	26106-080302	BOLT, M8X 30 PLATED	3							



Remarks

(1)When replacing this part, it is necessary to update the software of the ECU using the designated service tool. Please refer to the Service Manual for details.

Fig.15. FUEL INJECTION VALVE



(A)=3TN86CHT-MWM
(B)=
(C)=

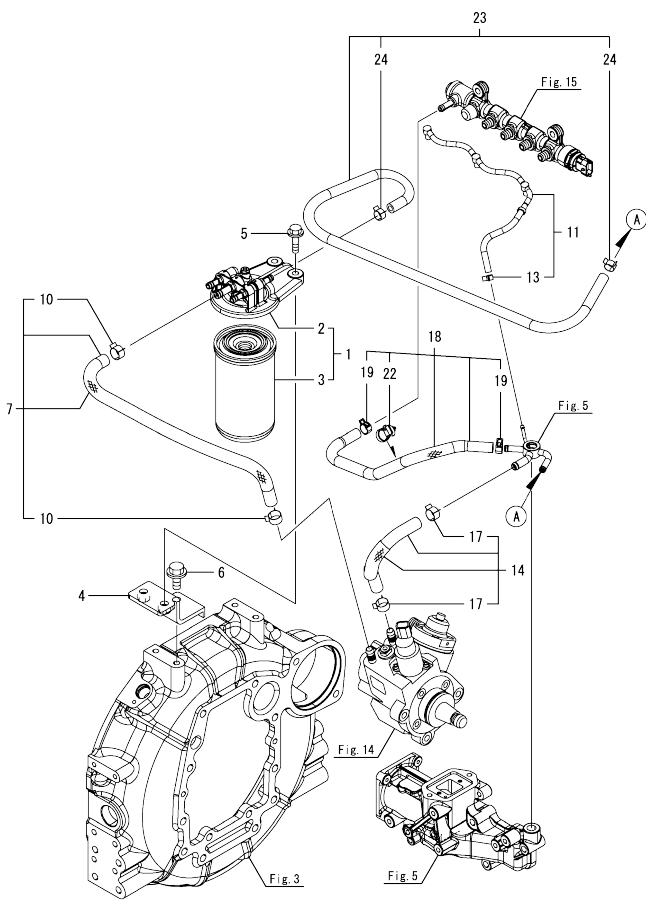
(D)=
(E)=
(F)=

No.	Lev.	Parts No.	Description	Q'ty						I	R
				(A)	(B)	(C)	(D)	(E)	(F)		
1	1	129C05-53100	INJECTOR ASSY	3							1
4	2	129A00-53200	RING, RETAINING	3							
6	2	129C28-53300	O-RING	3							
7	1	129A00-57000	COMMON RAIL ASSY	1							1
8	2	129A00-57100	SENSOR, PRESSURE	1							1
9	2	129A00-57200	VALVE ASSY, PLV4	1							1
10	3	129A00-57210	O-RING, PLV4	1							
11	1	26106-080252	BOLT, M8X 25 PLATED	2							
12	1	123372-59100	RETAINER, PIPE	2							
14	1	129A00-59700	PIPE ASSY, RAIL IN	1							
16	1	129A00-59810	PIPE ASSY, INJECTION	1							
17	1	129A00-59820	PIPE ASSY, INJECTION	1							
18	1	129A00-59830	PIPE ASSY, INJECTION	1							
19	1	26366-060002	NUT, M6	2							

Remarks

(1)When replacing this part, it is necessary to update the software of the ECU using the designated service tool. Please refer to the Service Manual for details.

Fig.16. FUEL PIPE

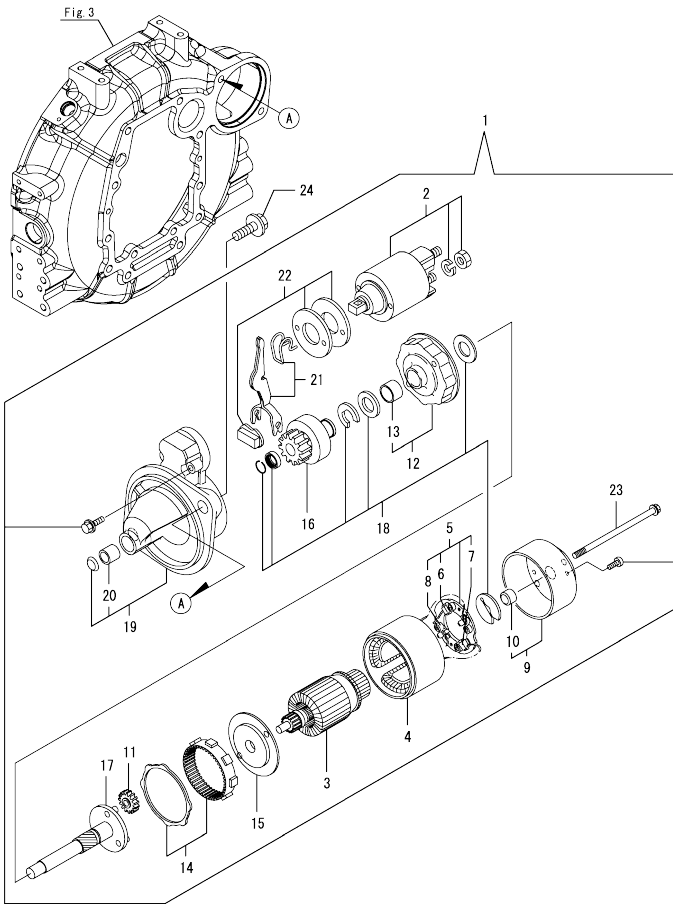


(A)=3TN86CHT-MWM
(B)=
(C)=

(D)=
(E)=
(F)=

No.	Lev.	Parts No.	Description	Q'ty					
				(A)	(B)	(C)	(D)	(E)	(F)
1	1	129A00-55600	FILTER ASSY, FUEL	1					
2	2	129A00-55610	BRACKET ASSY, FILTER	1					
3	2	129A00-55800	FILTER, FUEL	1					
4	1	129A75-55600	BRACKET, FUEL FILTER	1					
5	1	26106-080302	BOLT, M8X 30 PLATED	2					
6	1	26106-100222	BOLT, M10X 22 PLATED	1					
7	1	129A24-59010	PIPE ASSY, FUEL	1					
10	2	23080-015000	CLAMP, 15	2					
11	1	129A23-59500	PIPE ASSY, RETURN	1					
13	2	23080-007000	CLAMP, 7	1					
14	1	129A00-59020	PIPE ASSY, RETURN	1					
17	2	23080-015000	CLAMP, 15	2					
18	1	129A00-59030	PIPE ASSY, RETURN	1					
19	2	114270-59010	CLAMP, HOSE 12	2					
22	2	129A00-91200	CLIP, BAND	1					
23	1	129A24-59040	PIPE ASSY, FUEL	1					
24	2	114270-59010	CLAMP, HOSE 12	2					

Fig.17. STARTER MOTOR

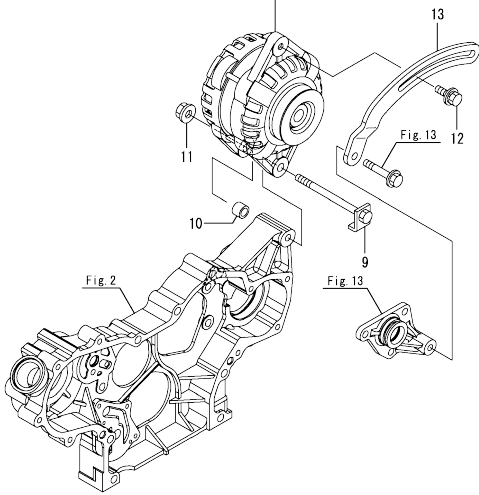
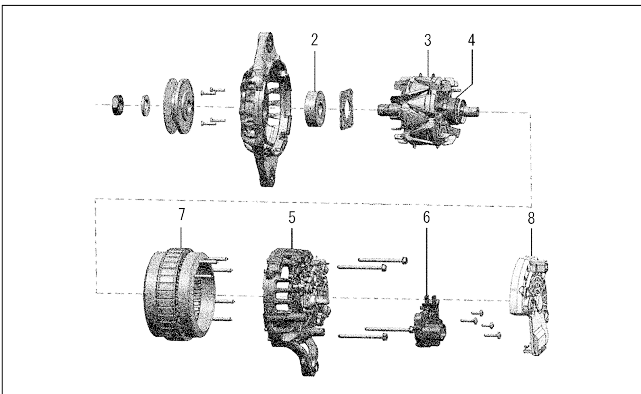


(A)=3TN86CHT-MWM
(B)=
(C)=

(D)=
(E)=
(F)=

No.	Lev.	Parts No.	Description	Q'ty						I	R
				(A)	(B)	(C)	(D)	(E)	(F)		
1	1	129242-77010	STARTER, 1.7	1							
2	2	129698-77020	SWITCH ASSY, MAGNET	1							
3	2	129242-77100	ARMATURE ASSY	1							
4	2	129242-77110	YOKE ASSY	1							
5	2	129242-77120	HOLDER ASSY, BRUSH	1							
6	3	129242-77130	BRUSH, -	2							
7	3	129242-77140	BRUSH SET	1							
8	3	129242-77150	SPRING, BRUSH	4							
9	2	129242-77160	COVER ASSY, STARTER	1							
10	3	129242-77170	METAL, REAR COVER	1							
11	2	118400-77170	GEAR, PLANETARY	3							
12	2	129242-77180	BRACKET, CENTER P	1							
13	3	129698-77190	BRACKET, CENTER	1							
14	2	129698-77200	GEAR, INTERNAL	1							
15	2	129242-77210	BRACKET, CENTER A	1							
16	2	129698-77220	PINION ASSY	1							
17	2	129698-77230	SHAFT, PINION	1							
18	2	129698-77250	WASHER SET	1							
19	2	129242-77260	CASE ASSY, GEAR	1							
20	3	X2114535200	METAL, STARTER	1							
21	2	129242-77270	LEVER SET, SHIFT	1							
22	2	129242-77280	COVER KIT, DUST	1							
23	2	124195-77770	BOLT, THROUGH	2							
24	1	26106-120252	BOLT, M12X 25 PLATED	2							

Fig.18. GENERATOR

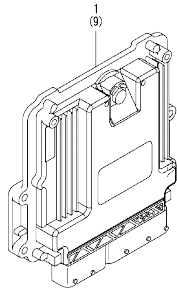


(A)=3TN86CHT-MWM
(B)=
(C)=

(D)=
(E)=
(F)=

No.	Lev.	Parts No.	Description	Q'ty					
				(A)	(B)	(C)	(D)	(E)	(F)
1	1	129908-77200	ALTERNATOR,	1					
2	2	129908-77710	BEARING, BALL FR	1					
3	2	129908-77720	ROTOR	1					
4	2	129908-77730	BEARING, BALL RR	1					
5	2	129908-77740	RECTIFIER	1					
6	2	129908-77750	REGULATOR	1					
7	2	129908-77760	STATOR	1					
8	2	129908-77770	PROTECTOR	1					
9	1	129908-77220	BOLT, STOPPER M10	1					
10	1	129A20-77350	PIECE, DISTANCE	1					
11	1	26306-100002	NUT, M10	1					
12	1	119810-77340	BOLT, ADJUSTER L=30	1					
13	1	129688-77340	ADJUSTER, BELT	1					

Fig.19. ELECTRONIC CONTROL UNIT(ECU)



(A)=3TN86CHT-MWM
(B)=
(C)=

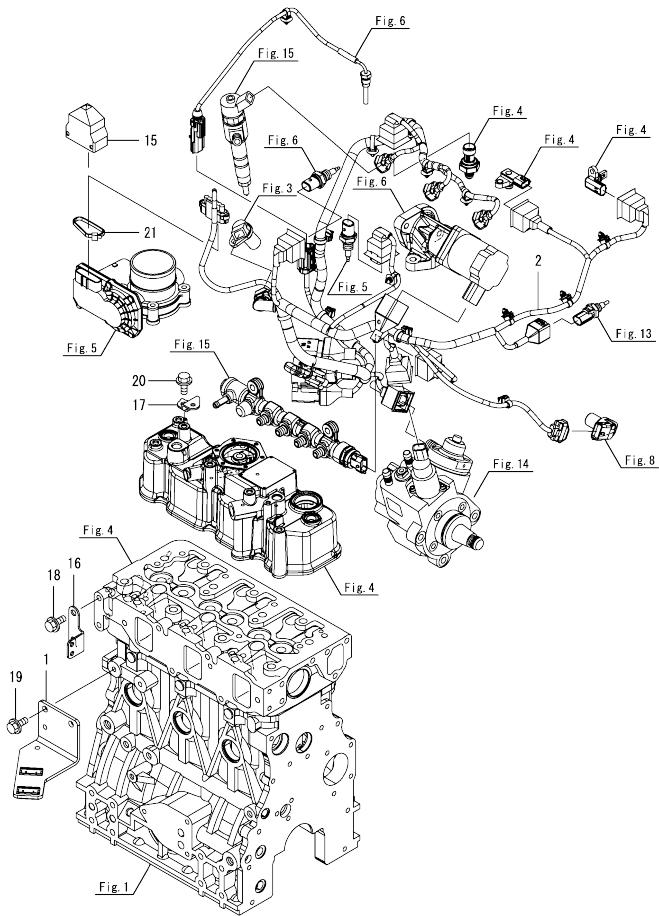
(D)=
(E)=
(F)=

No.	Lev.	Parts No.	Description	Q'ty						I	R	
				(A)	(B)	(C)	(D)	(E)	(F)			
1	1	129A75-75010	ECU ASSY,3-86CHT-MWM	1							1	
9	1	129A00-75910	ECU ASSY,SERVICE YMR	1								2

Remarks

- (1)Eco ECU
This part cannot be ordered.
Replace the part using a Service ECU with the proper engine information installed.
- (2)Service ECU
When replacing this part, it is necessary to update the software of the ECU using the designated service tool.
Please refer to the Service Manual for details.

Fig.20. ELECTRIC PARTS



(A)=3TN86CHT-MWM
(B)=
(C)=

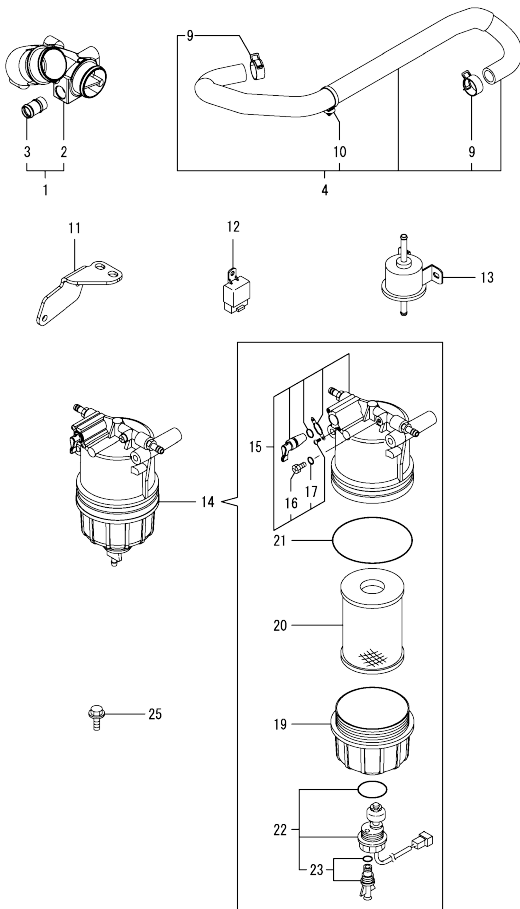
(D)=
(E)=
(F)=

No.	Lev.	Parts No.	Description	Q'ty						I	R
				(A)	(B)	(C)	(D)	(E)	(F)		
1	1	129A24-77940	BRACKET, CONNECTOR	1							
2	1	129A01-91400	HARNESS, T4 ENGINE	1							
15	1	129A00-91451	BOOT, CAP TYPE	1							
16	1	129A00-91600	BRACKET, HARNESS	1							
17	1	129A05-91600	BRACKET, HARNESS	1							
18	1	26106-080122	BOLT, M8X 12 PLATED	2							
19	1	26106-080142	BOLT, M8X 14 PLATED	2							
20	1	26106-080162	BOLT, M8X 16 PLATED	1							
21	1	29621-200000	BAND	1							

N:Old $\frac{New}{Old}$ New, Q:Old $\frac{New}{Old}$ New, R:Old $\frac{New}{Old}$ New, S:Old $\frac{New}{Old}$ New, W:Add, Z:Discontinued, F:Interchangeable by set, K:Q'ty Change
Copyright (C) 2020 YANMAR GLOBAL CS CO., LTD. All Rights Reserved.

OCD50-M06300 ENGINE
 Fig.21. ACCESSORY

OCD50-M06300 Fig.21



(A)=3TN86CHT-MWM
 (B)=
 (C)=

(D)=
 (E)=
 (F)=

No.	Lev.	Parts No.	Description	Q'ty						I	R
				(A)	(B)	(C)	(D)	(E)	(F)		
1	1	129A75-03030	JOINT ASSY,BREATHER	1							
2	2	129A75-03040	JOINT, BREATHER	1							
3	2	129001-11340	PIPE, BREATHER	1							
4	1	129A35-03130	HOSE ASSY, BREATHER	1							
9	2	129410-03990	CLAMP, HOSE 21.5	2							
10	2	129A00-91200	CLIP, BAND	1							
11	1	129A35-03200	BRACKET,BREATHER	1							
12	1	172B02-17150	RELAY, CA TYPE C	1							
13	1	129612-52100	PUMP, FUEL FEED	1							
14	1	129C01-55701	FILTER ASSY, FO PRE	1							
15	2	129A00-55710	BODY ASSY	1							
16	3	129A00-55751	PLUG, AIR VENT	1							
17	3	129A00-55760	O-RING	1							
19	2	129C01-55720	CUP, FUEL FILTER	1							
20	2	129A00-55730	ELEMENT, FUEL FILTER	1							
21	2	129A00-55740	O-RING	1							
22	2	129917-55870	SENSOR ASSY, LEVEL	1							
23	3	129242-55740	PLUG, DRAIN	1							
25	1	26106-080202	BOLT, M8X 20 PLATED	4							

Parts No. Index

Parts No.	Fig. No.	Ref. No.	Parts No.	Fig. No.	Ref. No.	Parts No.	Fig. No.	Ref. No.	Parts No.	Fig. No.	Ref. No.
114270-59010	16	19	129001-11340	21	3	129242-77170	17	10	129956-49190	11	35
		24	129004-03010	4	39	129242-77180	17	12	129956-49210	11	36
118400-77170	17	11	129004-11241	4	1	129242-77210	17	15	129956-49230	11	38
119005-35151	11	42	129004-11251	4	2	129242-77260	17	19	129960-03990	13	39
119131-18320	6	29	129004-11650	4	8	129242-77270	17	21			44
119609-32040	2	5	129004-42040	13	16	129242-77280	17	22	129973-07910	4	59
119620-01750	3	3	129005-21650	10	8	129266-39620	12	15	129978-03380	4	61
119624-32040	2	6	129005-34802	11	16	129410-03990	21	9	129978-11871	4	30
119640-01640	3	7	129008-77800	4	69	129417-33111	11	24	129978-17700	7	29
119640-61400	4	51	129009-11340	4	48	129418-18320	6	23	129A00-11310	4	46
119761-39450	12	1	129033-01770	11	26	129457-49801	13	27	129A00-11330	4	47
119802-11260	4	4	129051-49310	13	37	129484-26210	8	29	129A00-11340	4	27
119802-11270	4	5	129100-01580	2	2	129486-01670	3	19	129A00-11900	4	31
119802-11280	4	6		3	1	129486-32020	11	13	129A00-12110	5	1
119802-25071	8	33			15	129486-42021	13	15	129A00-12711	4	63
119803-21200	10	4		10	2	129486-42140	13	17	129A00-12721	5	5
119803-77830	4	68	129100-01730	3	10	129573-22301	10	24	129A00-12790	4	64
119810-77340	18	12	129100-11112	4	23	129612-42360	13	25	129A00-12810	5	7
119934-01800	2	22	129100-42051	13	4	129612-52100	21	13	129A00-12820	5	22
120130-11860	4	71	129103-35122	11	30	129648-01600	3	16	129A00-12900	5	23
120270-54410	4	32	129103-49301	13	12	129648-01780	3	18	129A00-12910	5	24
121023-26071	2	10	129121-01540	3	6	129648-35150	11	29	129A00-13110	6	4
121027-11743	2	18	129122-44480	2	7	129688-77340	18	13	129A00-13350	6	11
121111-21501	10	11		11	32	129698-77020	17	2		7	20
121252-39150	12	2	129150-01200	1	27	129698-77190	17	13	129A00-13380	6	14
121450-42450	13	33	129150-02020	1	6	129698-77200	17	14	129A00-13400	6	17
121520-34810	11	17	129150-02450	8	4	129698-77220	17	16	129A00-13410	6	18
121550-23200	10	30	129150-02931	1	24	129698-77230	17	17	129A00-13710	5	16
121850-21680	10	10	129150-02941	1	35	129698-77250	17	18	129A00-13720	5	17
123372-59100	15	12	129150-03070	4	40	129795-01950	2	4	129A00-13752	6	30
123907-03100	4	41	129150-11230	4	9	129795-02412	1	9	129A00-13770	6	7
123907-03110	4	42	129150-11280	4	7	129795-11120	4	24	129A00-13800	6	31
123907-03120	4	43	129150-11370	4	12	129795-11180	4	25	129A00-13851	6	21
123907-03140	4	44	129150-11750	4	11	129795-21661	10	9	129A00-13861	6	22
123912-33050	11	23	129150-11810	4	72	129795-49551	13	30	129A00-13901	6	35
124060-01050	1	11	129150-14200	8	1	129908-77200	18	1	129A00-13910	6	36
124160-01751	2	3	129150-14400	8	2	129908-77220	18	9	129A00-13920	6	37
	4	37	129150-35042	11	19	129908-77710	18	2	129A00-14100	8	6
124160-01910	1	12	129150-42290	13	9	129908-77720	18	3	129A00-14580	8	3
		13	129150-49811	13	28	129908-77730	18	4	129A00-14701	8	8
124160-11360	4	56	129155-42350	13	24	129908-77740	18	5	129A00-14710	8	11
124195-77770	17	23	129242-55740	21	23	129908-77750	18	6	129A00-16600	7	11
124223-39900	12	4	129242-77010	17	1	129908-77760	18	7	129A00-16610	7	12
124240-01871	2	13	129242-77100	17	3	129908-77770	18	8	129A00-16700	7	14
		23	129242-77110	17	4	129917-55870	21	22	129A00-16740	7	16
124395-49840	13	18	129242-77120	17	5	129927-13810	6	32	129A00-17311	7	21
124460-11340	4	26	129242-77130	17	6	129927-44900	13	34	129A00-17340	7	22
124465-44950	13	35	129242-77140	17	7	129930-13201	7	1	129A00-17520	7	25
124550-21600	10	14	129242-77150	17	8	129949-33010	11	22	129A00-17570	7	27
129001-01250	1	4	129242-77160	17	9	129949-49110	11	33	129A00-21710	3	21

Parts No. Index

Parts No.	Fig. No.	Ref. No.
129A00-25050	8	13
129A00-25060	8	21
129A00-25080	8	34
129A00-25110	8	14
129A00-25120	8	22
129A00-25200	8	25
129A00-25210	8	26
129A00-25900	8	18
129A00-51100	14	2
129A00-51110	14	3
129A00-51120	14	4
129A00-51130	14	5
129A00-51200	14	6
129A00-51900	14	7
129A00-53200	15	4
129A00-55600	16	1
129A00-55610	16	2
129A00-55710	21	15
129A00-55730	21	20
129A00-55740	21	21
129A00-55751	21	16
129A00-55760	21	17
129A00-55800	16	3
129A00-57000	15	7
129A00-57100	15	8
129A00-57200	15	9
129A00-57210	15	10
129A00-59020	16	14
129A00-59030	16	18
129A00-59700	15	14
129A00-59810	15	16
129A00-59820	15	17
129A00-59830	15	18
129A00-75910	19	9
129A00-77820	4	70
129A00-91200	6	8
	16	22
	21	10
129A00-91451	20	15
129A00-91600	20	16
129A01-12100	5	3
129A01-12150	5	2
129A01-12800	5	9
129A01-13601	6	5
129A01-91400	20	2
129A05-01150	1	1
129A05-01330	1	28
129A05-11351	4	38
129A05-11700	4	13
129A05-12061	4	62

Parts No.	Fig. No.	Ref. No.
129A05-13100	6	1
129A05-13110	6	2
129A05-13300	6	9
129A05-13360	6	12
129A05-18020	9	1
129A05-21000	10	1
129A05-32000	11	1
129A05-39450	12	3
129A05-39451	12	3 -1
129A05-39600	12	14
129A05-91600	20	17
129A20-16510	7	10
129A20-77350	18	10
129A23-16700	7	15
129A23-49610	13	43
129A23-59130	5	11
129A23-59500	16	11
129A24-01600	3	2
129A24-21590	10	12
129A24-42011	13	1
129A24-59010	16	7
129A24-59040	16	23
129A24-77940	20	1
129A32-01510	2	1
129A33-12900	5	8
129A33-17580	7	28
129A33-17880	7	30
129A33-49530	13	29
129A35-03130	21	4
129A35-03200	21	11
129A35-07960	7	37
129A35-17382	7	38
129A35-17430	7	31
129A75-03030	21	1
129A75-03040	21	2
129A75-13360	6	25
129A75-16060	7	5
129A75-16240	7	6
129A75-16430	7	8
129A75-35110	11	21
129A75-49600	13	38
129A75-55600	16	4
129A75-75010	19	1
129A88-26000	8	28
129C00-01550	2	20
129C01-13700	5	10
129C01-16690	7	13
129C01-55701	21	14
129C01-55720	21	19
129C05-02600	1	32

Parts No.	Fig. No.	Ref. No.
129C05-02810	1	29
129C05-11100	4	22
129C05-12700	4	49
129C05-13120	6	3
129C05-13700	4	50
129C05-18080	9	2
129C05-18090	6	28
129C05-22000	10	16
129C05-22050	10	18
129C05-22900	10	36
129C05-22950	10	38
129C05-23600	10	31
129C05-23610	10	34
129C05-23900	10	26
129C05-23910	10	33
129C05-39410	12	19
129C05-39650	12	20
129C05-39690	12	16
129C05-39700	12	5
129C05-53100	15	1
129C23-13930	7	3
129C23-13940	7	4
129C26-01890	2	14
129C26-49300	13	13
129C28-51000	14	1
129C28-53300	15	6
129C33-35150	11	25
129C61-35000	11	18
129E00-13601	6	26
129E00-13620	6	20
129E00-13640	6	27
129E22-17500	7	24
129F01-13600	6	19
129F01-13620	6	6
171051-01921	1	5
171056-49120	11	15
172B02-17150	21	12
22190-080002	2	15
		24
22190-100002	12	11
22190-120002	13	36
22190-140002	5	12
22190-220002	3	9
22217-180000	8	19
22252-000280	10	25
22351-030010	10	7
22351-060012	4	33
22512-070140	8	7
	10	5
22857-500100	4	52

Parts No.	Fig. No.	Ref. No.
22857-500100	4	53
		54
22857-500160	5	13
23000-022000	12	17
23000-070000	4	65
23000-080000	4	66
23080-007000	16	13
23080-015000	16	10
		17
23080-018000	11	39
23297-080061	6	10
23414-080000	13	19
23414-100000	12	12
23414-120000	6	15
23857-080000	5	14
24105-060064	8	32
24311-000120	4	57
24311-000320	2	8
		19
		4
		58
24321-000600	11	40
24321-000850	2	11
26106-060102	8	9
26106-060122	6	16
	13	26
26106-060162	4	67
	12	18
26106-060202	5	25
26106-060402	5	26
26106-060902	5	27
26106-080122	12	13
	13	20
	20	18
26106-080142	2	16
	7	17
	8	10
	20	19
26106-080162	2	9
		25
		3
		7
		32
		33
		39
		13
		21
		20
		20
26106-080202	4	60
	21	25
26106-080222	13	31
26106-080252	3	12
	4	34

Parts No. Index

Parts No.	Fig. No.	Ref. No.	
26106-080252	6	33	
	7	34	
		40	
	11	41	
	15	11	
26106-080302	14	8	
	16	5	
26106-080352	2	17	
		26	
	3	20	
	4	35	
	7	41	
	26106-080402	2	27
		8	27
26106-080452	3	13	
	8	17	
26106-080502	13	22	
	3	14	
	4	36	
	5	6	
		18	
	6	24	
26106-080552	11	20	
26106-080602	2	28	
	13	23	
26106-080752	5	19	
26106-080852	2	29	
26106-100202	2	12	
26106-100222	16	6	
26106-120202	7	35	
26106-120252	17	24	
26206-100252	3	4	
26206-100302	3	5	
26216-060202	5	4	
26216-080352	5	15	
26216-081052	5	20	
26306-080002	5	21	
	6	34	
		38	
	7	18	
		36	
	9	3	
26306-100002	18	11	
26366-060002	15	19	
26450-060162	3	22	
	4	55	
	8	12	
26450-060252	11	14	
26776-180002	8	20	

Parts No.	Fig. No.	Ref. No.
27241-120000	1	14
27241-300000	1	10
27241-400000	4	21
27310-080001	4	28
29621-200000	20	21
X2114535200	17	20

Parts No.	Fig. No.	Ref. No.
-----------	----------	----------

Parts No.	Fig. No.	Ref. No.
-----------	----------	----------