

0CD50-M05700EN

P R E F A C E

This parts catalog is the 1st edition of 3TNV86CHT-MWM for Weidmann.

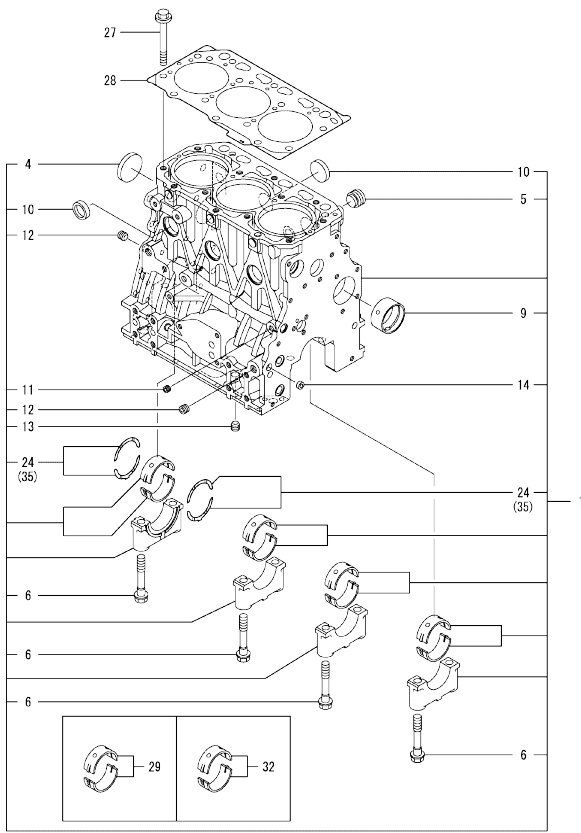
Published : February, 2020

Contents

0CD50-M05700

Fig. No.	Fig. Name	Fig. No.	Fig. Name
ENGINE			
1.	CYLINDER BLOCK		
2.	GEAR HOUSING		
3.	FLYWHEEL HOUSING & OIL SUMP		
4.	CYLINDER HEAD & BONNET		
5.	SUCTION MANIFOLD		
6.	EXHAUST MANIFOLD		
7.	DIESEL PARTICULATE FILTER(DPF)		
8.	CAMSHAFT & DRIVING GEAR		
9.	TURBINE		
10.	CRANKSHAFT & PISTON		
11.	LUB. OIL SYSTEM		
12.	LUB. OIL PIPE		
13.	COOLING WATER SYSTEM		
14.	FUEL SUPPLY PUMP		
15.	FUEL INJECTION VALVE		
16.	FUEL PIPE		
17.	STARTER MOTOR		
18.	GENERATOR		
19.	ELECTRONIC CONTROL UNIT(ECU)		
20.	ELECTRIC PARTS		
21.	ACCESSORY		
22.	GASKET SET		

Fig.1. CYLINDER BLOCK



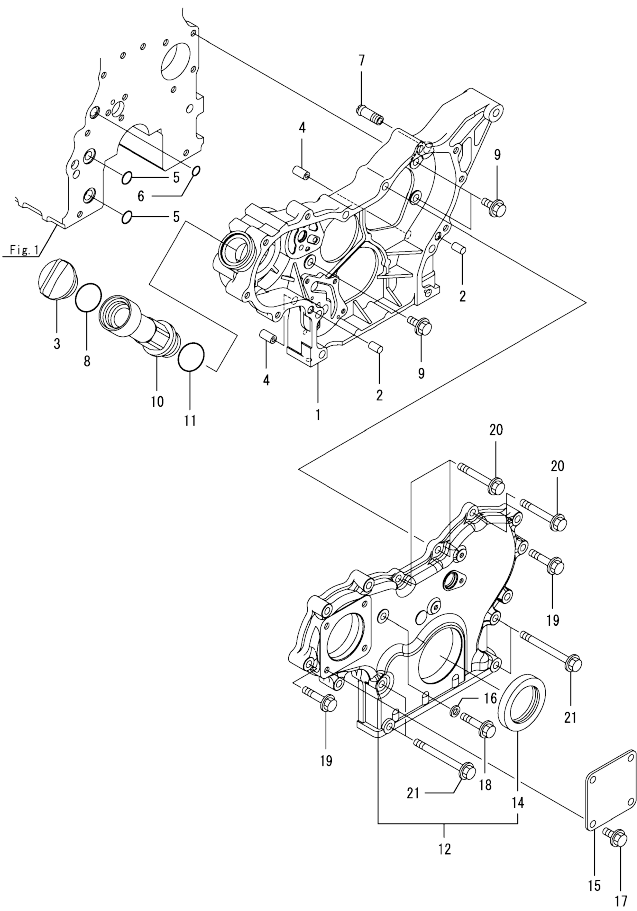
(A)=3TNV86CHT-MWM
(B)=
(C)=

(D)=
(E)=
(F)=

No.	Lev.	Parts No.	Description	Q'ty						I	R
				(A)	(B)	(C)	(D)	(E)	(F)		
1	1	129A01-01560	BLOCK ASSY, CYLINDER	1							
4	2	129001-01250	PLUG, 50	1							
5	2	171051-01921	PLUG, NPTF1	1							
6	2	129150-02020	BOLT, METAL CAP	8							
9	2	129795-02412	BUSH, CAMSHAFT	1							
10	2	27241-300000	PLUG 30	6							
11	2	124060-01050	PLUG, PT1/8	1							
12	2	124160-01910	PLUG, PT1/4	2							
13	2	124160-01910	PLUG, PT1/4	1							
14	2	27241-120000	PLUG, 12	1							
24	2	129150-02931	METAL ASSY, THRUST	2							
27	1	129150-01200	BOLT, CYLINDER HEAD	14							
28	1	129A01-01331	GASKET ASSY, HEAD	1							
29	1	129001-02931	METAL ASSY, MAIN	4							1
32	1	129150-02871	METAL ASSY, MAIN ,25	4							2
35	1	129150-02941	METAL ASSY, 0.25 OS	1							3

Remarks
 (1)Spare parts.
 (2)Under-sized(U.S.=0.25) parts.
 (3)Over-sized(O.S.=0.25) parts.

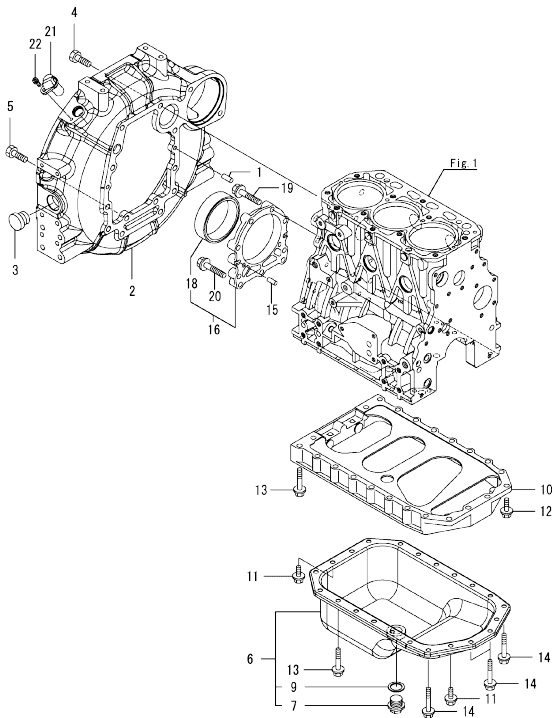
Fig.2. GEAR HOUSING



No.	Lev.	Parts No.	Description	Q'ty						I	R
				(A)	(B)	(C)	(D)	(E)	(F)		
1	1	129A33-01500	CASE, GEAR	1							
2	1	129100-01580	PIN, PARALLEL 8X16	2							
3	1	124160-01751	CAP, FILLER	1							
4	1	129795-01950	PIPE, KNOCK L=18	2							
5	1	119609-32040	O-RING, P16	2							
6	1	119624-32040	O-RING, P12.0	1							
7	1	129122-44480	JOINT, PT1/4	1							
8	1	24311-000320	O-RING, 1AP32.0	1							
9	1	26106-080162	BOLT, M8X 16 PLATED	3							
10	1	121027-11743	PIPE, FILLER	1							
11	1	24311-000320	O-RING, 1AP32.0	1							
12	1	129A00-01550	COVER ASSY, CASE	1							
14	2	119934-01800	SEAL, OIL	1							
15	1	124240-01871	COVER, HYDRAULIC PUMP	1							
16	1	22190-080002	WASHER, SEAL 8	1							
17	1	26106-080162	BOLT, M8X 16 PLATED	4							
18	1	26106-080352	BOLT, M8X 35 PLATED	1							
19	1	26106-080402	BOLT, M8X 40 PLATED	7							
20	1	26106-080602	BOLT, M8X 60 PLATED	3							
21	1	26106-080852	BOLT, M8X 85 PLATED	4							

N:Old $\frac{New}{Old}$ New, Q:Old $\frac{New}{Old}$ New, R:Old $\frac{New}{Old}$ New, S:Old $\frac{New}{Old}$ New, W:Add, Z:Discontinued, F:Interchangeable by set, K:Q'ty Change
 Copyright (C) 2020 YANMAR GLOBAL CS CO., LTD. All Rights Reserved.

Fig.3. FLYWHEEL HOUSING & OIL SUMP



(A)=3TNV86CHT-MWM
(B)=
(C)=

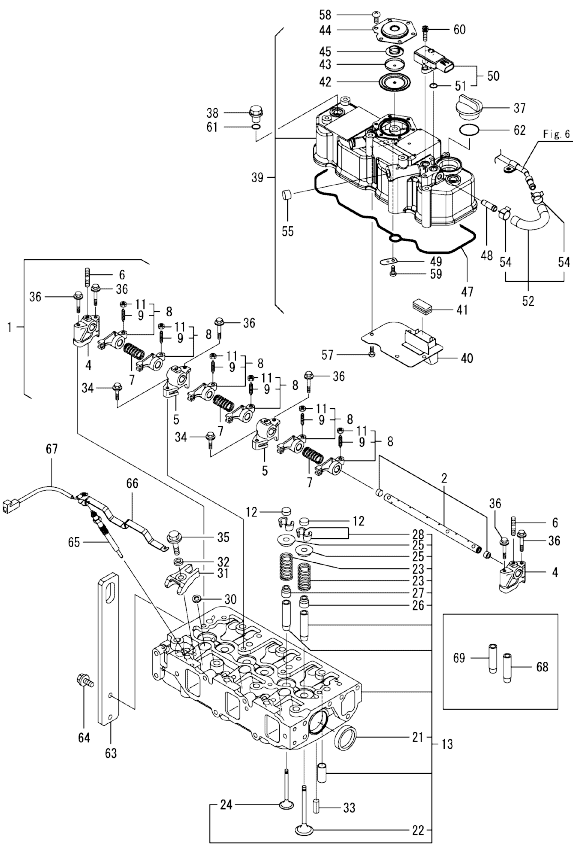
(D)=
(E)=
(F)=

No.	Lev.	Parts No.	Description	Q'ty						I	R
				(A)	(B)	(C)	(D)	(E)	(F)		
1	1	129100-01580	PIN, PARALLEL 8X16	2							
2	1	129A24-01600	HOUSING, FLYWHEEL	1							
3	1	119620-01750	CAP, WHEEL COVER	1							
4	1	26206-100252	BOLT, M10X 25 PLATED	6							
5	1	26206-100302	BOLT, M10X 30 PLATED	4							
6	1	129121-01540	OIL PAN ASSY	1							
7	2	119640-01640	PLUG, DRAIN M22	1							
9	2	22190-220002	WASHER, SEAL 22	1							
10	1	129100-01730	SPACER, OIL PAN	1							
11	1	26106-080162	BOLT, M8X 16 PLATED	4							
12	1	26106-080252	BOLT, M8X 25 PLATED	2							
13	1	26106-080452	BOLT, M8X 45 PLATED	16							
14	1	26106-080502	BOLT, M8X 50 PLATED	4							
15	1	129100-01580	PIN, PARALLEL 8X16	2							
16	1	129648-01600	CASE ASSY, OIL SEAL	1							
18	2	129648-01780	SEAL, OIL	1							
19	1	129486-01670	BOLT, M8X30	6							
20	1	26106-080352	BOLT, M8X 35 PLATED	3							
21	1	129A00-21710	SENSOR, FLYWHEEL	1							1
22	1	26450-060162	BOLT, M6X 16	1							

Remarks

(1)When replacing this part, it is necessary to update the software of the ECU using the designated service tool. Please refer to the Service Manual for details.

Fig.4. CYLINDER HEAD & BONNET



(A)=3TNV86CHT-MWM
(D)=
(E)=
(F)=

No.	Lev.	Parts No.	Description	Q'ty						I	R
				(A)	(B)	(C)	(D)	(E)	(F)		
1	1	129004-11241	SHAFT ASSY, ROCKER	1							
2	2	129004-11251	SHAFT, ROCKER ARM	1							
4	2	119802-11260	SUPPORT, ROCKER ARM	2							
5	2	119802-11270	SUPPORT, ROCKER ARM	2							
6	2	119802-11280	BOLT, STUD	3							
7	2	129150-11280	SPRING, SHAFT	3							
8	2	129004-11650	ARM ASSY, ROCKER	6							
9	3	129150-11230	SCREW, VALVE ADJUST	6							
11	3	129150-11750	NUT, M8XP1.0	6							
12	1	129150-11370	CAP, VALVE	6							
13	1	129A01-11700	HEAD ASSY, CYLINDER	1							
21	2	27241-400000	PLUG, 40	2							
22	2	129005-11100	VALVE, INTAKE	3							
23	2	129795-11120	SPRING, VALVE	6							
24	2	129100-11130	VALVE, EXHAUST	3							
25	2	129795-11180	RETAINER, SPRING	6							
26	2	124460-11340	SEAL, VALVE STEM	3							
27	2	129A00-11340	SEAL, VALVE STEM	3							
28	2	27310-080001	COTTER, 8	6							
30	1	129978-11871	GASKET, INJECTOR	3							
31	1	129A00-11900	RETAINER, INJECTOR	3							
32	1	120270-54410	WASHER, INJECTOR	3							
33	1	22351-060012	PIN, SPRING 6.0X12	2							
34	1	26106-080252	BOLT, M8X 25 PLATED	2							
35	1	26106-080352	BOLT, M8X 35 PLATED	3							
36	1	26106-080502	BOLT, M8X 50 PLATED	6							
37	1	124160-01751	CAP, FILLER	1							
38	1	124160-11360	KNOB, BONNET	3							
39	1	129A01-11360	BONNET ASSY, HEAD	1							
40	2	129004-03010	PLATE, BAFFLE	1							
41	2	129150-03070	BAFFLE, BREATHER	1							
42	2	123907-03100	DIAPHRAGM, BREATHER	1							
43	2	123907-03110	PLATE, CENTER	1							
44	2	123907-03120	PLATE, BREATHER	1							
45	2	123907-03140	SPRING, DIAPHRAGM	1							
47	2	129A00-11310	GASKET, BONNET	1							
48	2	129A00-11330	JOINT	1							
49	2	129009-11340	SPRING, PLATE	1							
50	2	129978-12700	SENSOR, PRESSURE	1							1
51	3	129A00-12780	O-RING, EGR SENSOR	2							
52	2	129A00-13360	HOSE ASSY, PRESSURE	1							
54	3	129A00-13380	CLIP, HOSE 14	2							
55	2	119640-61400	PLUG	1							
57	2	22857-500100	SCREW, 5X10	4							
58	2	22857-500100	SCREW, 5X10	6							
59	2	22857-500100	SCREW, 5X10	1							
60	2	26450-060162	BOLT, M6X 16	2							
61	1	24311-000120	O-RING, 1AP12.0	3							
62	1	24311-000320	O-RING, 1AP32.0	1							
63	1	129973-07910	LIFTER	1							
64	1	26106-080202	BOLT, M8X 20 PLATED	2							

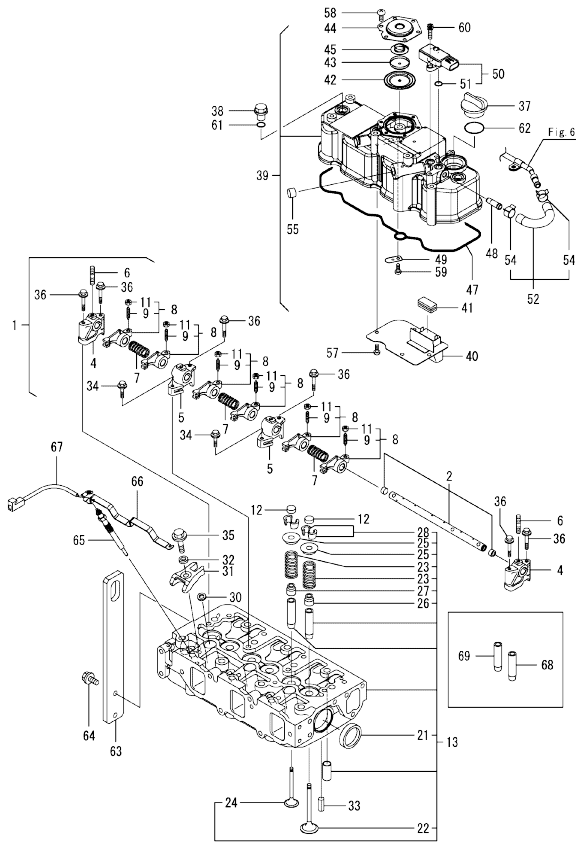
Remarks

- (1)When replacing this part, it is necessary to update the software of the ECU using the designated service tool. Please refer to the Service Manual for details.
- (2)Spare parts.

Fig.4. CYLINDER HEAD & BONNET

(A)=3TNV86CHT-MWM
(B)=
(C)=

(D)=
(E)=
(F)=



No.	Lev.	Parts No.	Description	Q'ty						I	R
				(A)	(B)	(C)	(D)	(E)	(F)		
65	1	129008-77800	PLUG, GLOW	3							
66	1	129A00-77820	CONNECTOR, GLOW PLUG	1							
67	1	119803-77830	HARNESS, WIRE	1							
68	1	120130-11860	GUIDE, VALVE	3							2
69	1	129150-11810	GUIDE, VALVE	3							2

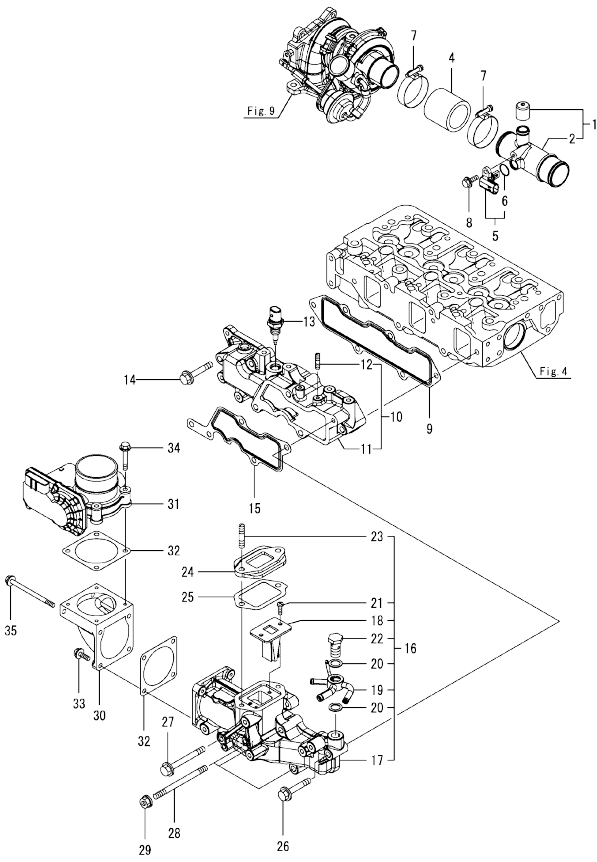
Remarks

- (1)When replacing this part, it is necessary to update the software of the ECU using the designated service tool. Please refer to the Service Manual for details.
- (2)Spare parts.

Fig.5. SUCTION MANIFOLD

(A)=3TNV86CHT-MWM
(B)=
(C)=

(D)=
(E)=
(F)=

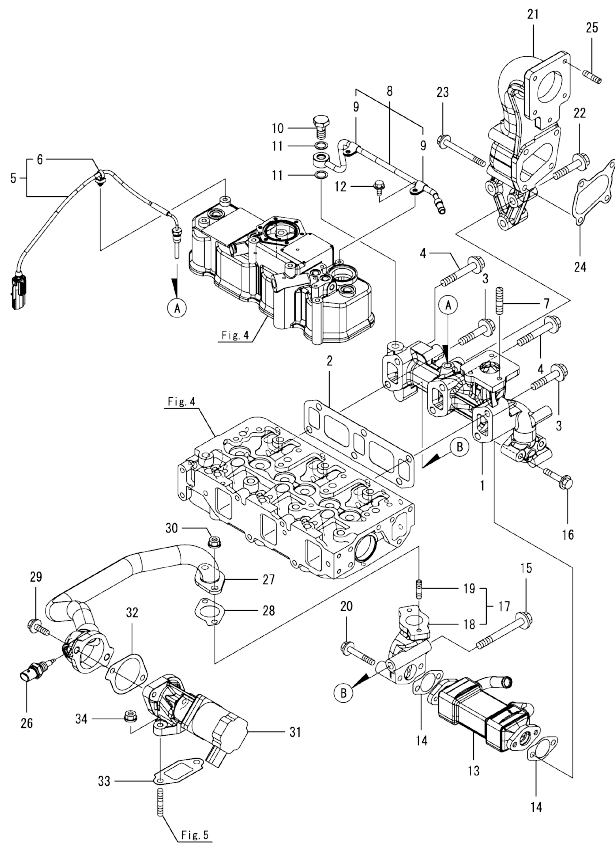


No.	Lev.	Parts No.	Description	Qty						I	R
				(A)	(B)	(C)	(D)	(E)	(F)		
1	1	129A35-03010	JOINT ASSY	1							
2	2	129A01-03052	JOINT, BREATHER	1							
4	1	129A01-12060	HOSE, AIR	1							
5	1	129A00-12711	SENSOR, TEMPERATURE	1							
6	2	129A00-12790	O-RING, TEMP SENSOR	1							
7	1	23000-054000	CLAMP, 54	2							
8	1	26106-060162	BOLT, M6X 16 PLATED	1							
9	1	129A00-12110	GASKET, MANIFOLD	1							
10	1	129A01-12150	MANIFOLD ASSY,INTAKE	1							
11	2	129A01-12100	MANIFOLD, INTAKE	1							
12	2	26216-060202	STUD, M6X 20	2							
13	1	129A00-12721	SENSOR,AIR TEMP	1							1
14	1	26106-080502	BOLT, M8X 50 PLATED	3							
15	1	129A00-12810	GASKET, COLLECTOR	1							
16	1	129A33-12900	COLLECTOR ASSY	1							
17	2	129A01-12800	COLLECTOR, INTAKE	1							
18	2	129C01-13700	VALVE, REED	1							
19	2	129A23-59130	JOINT, HOSE 4-WAY	1							
20	2	22190-140002	WASHER, SEAL 14	2							
21	2	22857-500160	SCREW, 5X16	2							
22	2	23857-080000	BOLT, JOINT 8	1							
23	2	26216-080352	STUD, M8X 35	2							
24	1	129A00-13710	SPACER, EGR VALVE	1							
25	1	129A00-13720	GASKET, EGR-V SPACER	1							
26	1	26106-080502	BOLT, M8X 50 PLATED	1							
27	1	26106-080752	BOLT, M8X 75 PLATED	1							
28	1	26216-081052	STUD, M8X105	3							
29	1	26306-080002	NUT, M8	3							
30	1	129A00-12820	BEND, INTAKE	1							
31	1	129A00-12900	THROTTLE, INTAKE	1							1
32	1	129A00-12910	GASKET, THROTTLE	2							
33	1	26106-060202	BOLT, M6X 20 PLATED	2							
34	1	26106-060402	BOLT, M6X 40 PLATED	4							
35	1	26106-060902	BOLT, M6X 90 PLATED	2							

Remarks

(1)When replacing this part, it is necessary to update the software of the ECU using the designated service tool. Please refer to the Service Manual for details.

Fig.6. EXHAUST MANIFOLD



(A)=3TNV86CHT-MWM
(B)=
(C)=

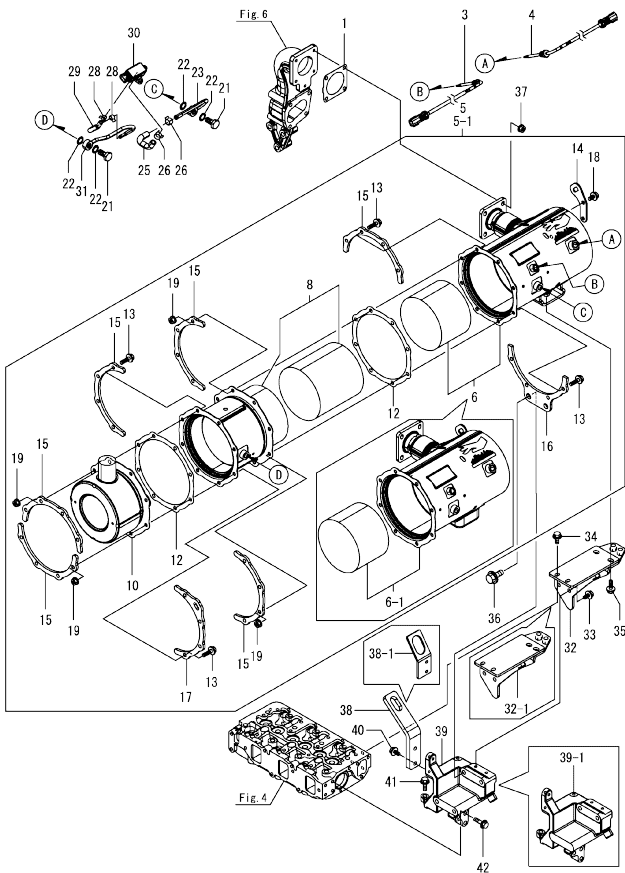
(D)=
(E)=
(F)=

No.	Lev.	Parts No.	Description	Qty						I	R
				(A)	(B)	(C)	(D)	(E)	(F)		
1	1	129A33-13101	MANIFOLD, EXHAUST	1							
2	1	129A00-13110	GASKET, MANIFOLD	1							
3	1	129A01-13601	BOLT, M10X50 10.9T	2							
4	1	129F01-13620	BOLT, M10X65 10.9T	4							
5	1	129A01-13760	SENSOR, TEMPERATURE	1							1
6	2	129A00-91200	CLIP, BAND	1							
7	1	129418-18320	STUD, M8X20	3							
8	1	129A00-13300	PIPE ASSY, PRESSURE	1							
9	2	23297-080061	CLAMP, A8X 6	2							
10	1	129A00-13350	BOLT, PIPE JOINT	1							
11	1	23414-120000	GASKET, 12X1.0	2							
12	1	26106-060122	BOLT, M6X 12 PLATED	2							
13	1	129A00-13400	COOLER, EGR	1							
14	1	129A00-13410	GASKET, EGR COOLER	2							
15	1	129F01-13600	BOLT, M10X90 10.9T	1							
16	1	129E00-13620	BOLT, M8X40 10.9	2							
17	1	129A00-13851	PIPE, EGR OUTLET	1							
18	2	129A00-13861	PIPE, EGR OUTLET	1							
19	2	129418-18320	STUD, M8X20	2							
20	1	26106-080502	BOLT, M8X 50 PLATED	2							
21	1	129A35-13310	PIPE, EXHAUST	1							
22	1	129E00-13601	BOLT, M10X55 10.9T	3							
23	1	129E00-13640	BOLT, M8X80 10.9T	4							
24	1	129A01-18090	GASKET, TURBINE OUT	1							
25	1	119131-18320	STUD, M8X22	4							
26	1	129A00-13752	SENSOR, EGR GAS TEMP	1							1
27	1	129A00-13800	PIPE, EGR	1							
28	1	129927-13810	GASKET, EGR PIPE	1							
29	1	26106-080252	BOLT, M8X 25 PLATED	2							
30	1	26306-080002	NUT, M8	2							
31	1	129A00-13901	VALVE, EGR	1							1
32	1	129A00-13910	GASKET, EGR-V INLET	1							
33	1	129A00-13920	GASKET, EGR-V OUTLET	1							
34	1	26306-080002	NUT, M8	2							

Remarks

(1)When replacing this part, it is necessary to update the software of the ECU using the designated service tool. Please refer to the Service Manual for details.

Fig.7. DIESEL PARTICULATE FILTER(DPF)



(A)=3TNV86CHT-MWM
(B)=
(C)=

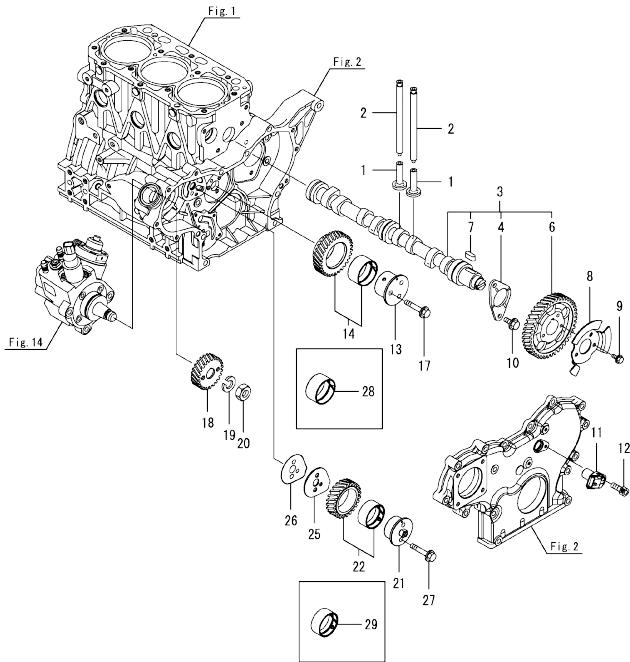
(D)=
(E)=
(F)=

No.	Lev.	Parts No.	Description	Q'ty						I	R
				(A)	(B)	(C)	(D)	(E)	(F)		
1	1	129930-13201	GASKET, SILENCER	1							
3	1	129C23-13930	SENSOR, ATD TEMP.DS+	1							1
4	1	129C23-13940	SENSOR, ATD TEMP.DS+	1							1
5	1	129A35-16000	DPF ASSY	1							1
5-1	1	129A35-16070	DPF ASSY	1							S 1
(A=E06066)											
6	2	129A35-16200	CASE, DOC	1							1
6-1	2	129A35-16220	CASE, DOC	1							S 1
(A=E06066)											
8	2	129C00-16410	CASE, SOOT FILTER	1							1
10	2	129A20-16510	SILENCER, DPF	1							
12	2	129A00-16600	GASKET, DPF	2							
13	2	129A00-16610	BOLT, M8X28 10.9T	16							
14	2	129C01-16690	LIFTER, DPF	1							
15	2	129A00-16700	STIFFENER, DPF A	6							
16	2	129A23-16700	STIFFENER, DPF B	1							
17	2	129A00-16740	STIFFENER, DPF C	1							
18	2	26106-080142	BOLT, M8X 14 PLATED	2							
19	2	26306-080002	NUT, M8	16							
21	1	129A00-13350	BOLT, PIPE JOINT	2							
22	1	129A00-17311	GASKET, SENSOR	4							
23	1	129A00-17340	PIPE ASSY, SENSOR	1							
25	1	129E22-17500	HOSE, PRES EXH	1							
26	1	129A00-17520	CLIP, HOSE	2							
28	1	129A00-17570	CLIP, HOSE	2							
29	1	129A33-17580	HOSE, PRES EXH	1							
30	1	129978-17700	SENSOR, PRESSURE	1							1
31	1	129A33-17880	PIPE ASSY, SENSOR	1							
32	1	129A35-17370	BRACKET, DPF B	1							
32-1	1	129A35-17430	BRACKET, DPF B	1							S
(A=E06066)											
33	1	26106-080162	BOLT, M8X 16 PLATED	2							
34	1	26106-080162	BOLT, M8X 16 PLATED	2							
35	1	26106-080252	BOLT, M8X 25 PLATED	2							
36	1	26106-120202	BOLT, M12X 20 PLATED	2							
37	1	26306-080002	NUT, M8	4							
38	1	129A35-07910	LIFTER, ENGINE	1							
38-1	1	129A35-07960	LIFTER, ENGINE	1							N
(A=E05637)											
39	1	129A35-17380	STAY, DPF A	1							
39-1	1	129A35-17381	STAY, DPF A	1							N
(A=E05637)											
39-2	1	129A35-17382	STAY, DPF A	1							R
(A=E06106)											
40	1	26106-080202	BOLT, M8X 20 PLATED	2							
40-1	1	26106-080162	BOLT, M8X 16 PLATED	2							N
(A=E05637)											
41	1	26106-080252	BOLT, M8X 25 PLATED	1							
42	1	26106-080352	BOLT, M8X 35 PLATED	3							

Remarks

(1)When replacing this part, it is necessary to update the software of the ECU using the designated service tool. Please refer to the Service Manual for details.

Fig.8. CAMSHAFT & DRIVING GEAR



(A)=3TNV86CHT-MWM
(B)=
(C)=

(D)=
(E)=
(F)=

No.	Lev.	Parts No.	Description	Q'ty						I	R
				(A)	(B)	(C)	(D)	(E)	(F)		
1	1	129150-14200	TAPPET	6							
2	1	129150-14400	ROD, PUSH L=178	6							
3	1	129A00-14580	CAMSHAFT ASSY	1							
4	2	129150-02450	METAL, THRUST	1							
6	2	129A00-14100	GEAR, CAMSHAFT	1							
7	2	22512-070140	KEY, 7X 14	1							
8	1	129A00-14700	PULSER, CAMSHAFT	1							
8-1	1	129A00-14701 (A=E05722)	PULSER, CAMSHAFT	1							N
9	1	26106-060102	BOLT, M6X 10 PLATED	3							
10	1	26106-080142	BOLT, M8X 14 PLATED	2							
11	1	129A00-14710	SENSOR, ROTATION	1							
12	1	26450-060162	BOLT, M6X 16	1							
13	1	129A00-25050	SHAFT, IDLE GEAR A	1							
14	1	129A00-25110	GEAR ASSY, IDLE A	1							
17	1	26106-080452	BOLT, M8X 45 PLATED	3							
18	1	129A00-25900	GEAR, SUPPLY PUMP	1							
19	1	22217-180000	WASHER, SPRING 18	1							
20	1	26776-180002	NUT, LOCK M18	1							
21	1	129A00-25060	SHAFT, IDLE GEAR B	1							
22	1	129A00-25120	GEAR ASSY, IDLE B	1							
25	1	129A00-25200	PLATE, IDLE SHAFT B	1							
26	1	129A00-25210	GASKET, IDLE SHAFT B	1							
27	1	26106-080402	BOLT, M8X 40 PLATED	2							
28	1	119802-25071	BUSH, IDLE GEAR	1							1
29	1	129A00-25080	BUSH, IDLE GEAR B	1							1

Remarks
(1)Spare parts.

OCD50-M05700 ENGINE
 Fig.9. TURBINE

OCD50-M05700 Fig.9

(A)=3TNV86CHT-MWM
 (B)=
 (C)=

(D)=
 (E)=
 (F)=

No.	Lev.	Parts No.	Description	Q'ty					
				(A)	(B)	(C)	(D)	(E)	(F)
1	1	129A01-18011	TURBOCHARGER, RHF3	1					
2	1	129A01-18080	GASKET, TURBINE IN	1					
3	1	26306-080002	NUT, M8	3					

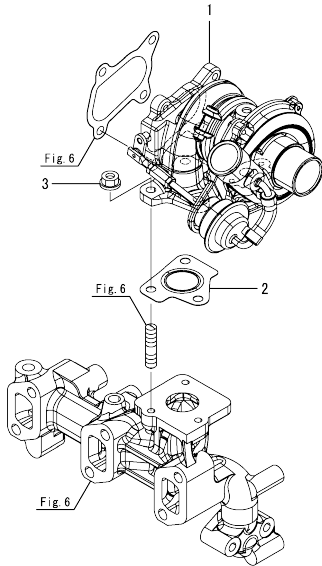
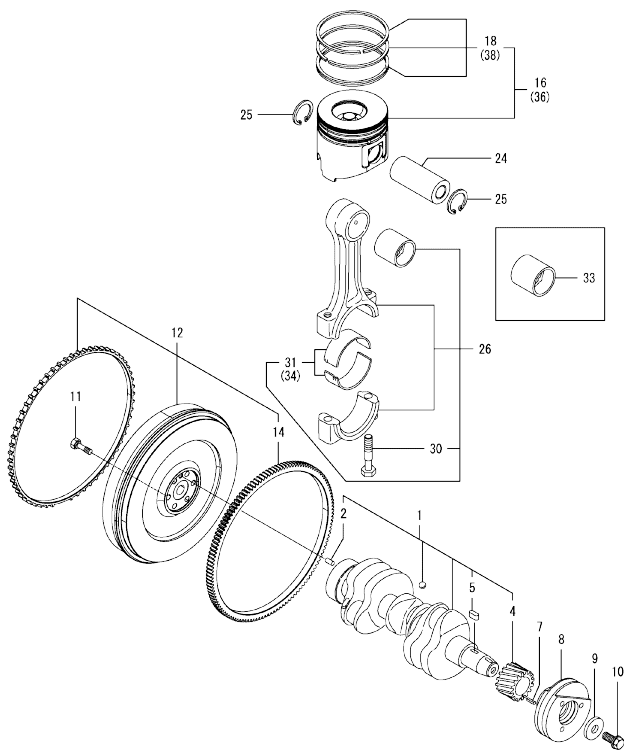


Fig.10. CRANKSHAFT & PISTON



(A)=3TNV86CHT-MWM
(B)=
(C)=

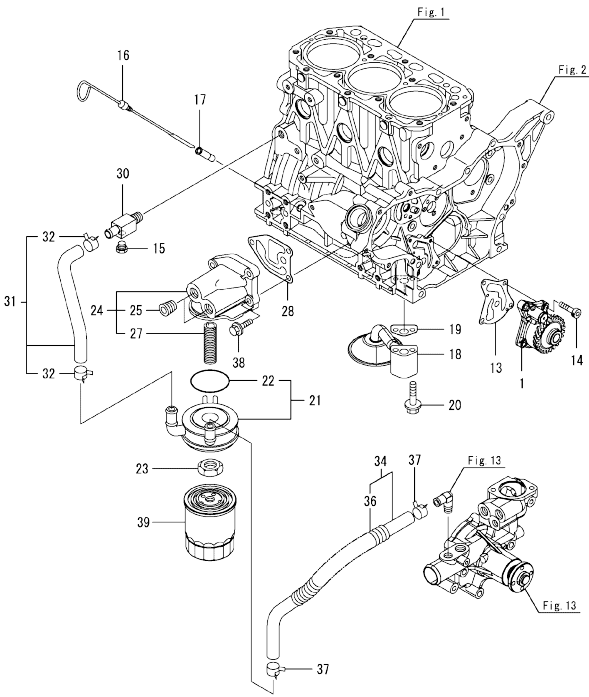
(D)=
(E)=
(F)=

No.	Lev.	Parts No.	Description	Q'ty						I	R
				(A)	(B)	(C)	(D)	(E)	(F)		
1	1	129008-21000	CRANKSHAFT ASSY	1							
2	2	129100-01580	PIN, PARALLEL 8X16	1							
4	2	119803-21200	GEAR, CRANKSHAFT	1							
5	2	22512-070140	KEY, 7X 14	1							
7	1	22351-030010	PIN, SPRING 3.0X10	1							
8	1	129005-21650	V-PULLEY, CRANKSHAFT	1							
9	1	129795-21661	WASHER, 14	1							
10	1	121850-21680	BOLT, V-PULLEY	1							
11	1	121111-21501	BOLT, FLYWHEEL	6							
12	1	129A24-21590	FLYWHEEL ASSY	1							
14	2	124550-21600	GEAR, RING Z=127	1							
16	1	129A01-22080	PISTON ASSY	3							
18	2	129A01-22500	RING SET, PISTON	3							
24	1	129202-22300	PIN, PISTON D26 L70	3							
25	1	22252-000260	RING, 26	6							
26	1	729402-23100	ROD ASSY, CONNECTING	3							
30	2	121550-23200	BOLT, CONNECTING ROD	6							
31	2	129150-23601	METAL ASSY, CRANK PIN	3							
33	1	129100-23910	METAL, PISTON PIN	3							1
34	1	129150-23611	METAL, CRANK PIN .25	3							2
36	1	129A01-22900	PISTON ASSY, 0.25 OS	3							3
38	2	129A01-22950	RING SET, PISTON .25	3							3

Remarks

- (1) Spare parts.
- (2) Under-sized (U.S.=0.25) parts.
- (3) Over-sized (O.S.=0.25) parts.

Fig.11. LUB. OIL SYSTEM



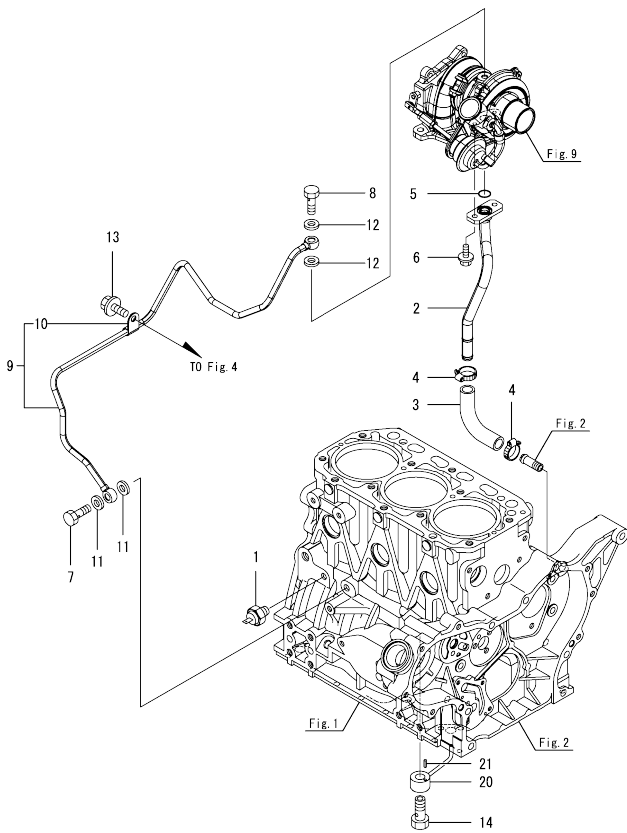
(A)=3TNV86CHT-MWM
(B)=
(C)=

(D)=
(E)=
(F)=

No.	Lev.	Parts No.	Description	Q'ty						I	R
				(A)	(B)	(C)	(D)	(E)	(F)		
1	1	129A01-32000	PUMP ASSY, OIL	1							
13	1	129486-32020	GASKET, PUMP	1							
14	1	26450-060252	BOLT, M6X 25	4							
15	1	171056-49120	PLUG, DRAIN R1/4	1							
16	1	129005-34802	DIPSTICK, OIL	1							
17	1	121520-34810	GUIDE, DIPSTICK	1							
18	1	129C61-35000	PIPE ASSY, OIL INLET	1							
19	1	129150-35042	GASKET, INLET PIPE	1							
20	1	26106-080552	BOLT, M8X 55 PLATED	2							
21	1	129067-33011	COOLER ASSY, OIL	1							
22	2	129508-33050	O-RING	1							
23	1	129417-33111	NUT, OIL COOLER	1							
24	1	129033-35100	BRACKET ASSY, FILTER	1							
25	2	129033-01770	PLUG, SCREW NPT1/2	2							
27	2	129417-35150	STUD, M20X67	1							
28	1	129103-35122	GASKET, BRACKET	1							
30	1	129006-44480	JOINT, R02	1							
31	1	129033-49030	PIPE, COOLER INLET	1							
32	2	171008-03990	CLAMP, HOSE 18.5	2							
34	1	129956-49210	PIPE ASSY, WATER	1							
36	2	129956-49230	TUBE, CORRUGATED	1							
37	1	23080-018000	CLAMP, 18	2							
38	1	26106-080252	BOLT, M8X 25 PLATED	3							
39	1	119005-35151	FILTER, OIL D80X100	1							1

Remarks
(1)Spare parts.

Fig.12. LUB. OIL PIPE

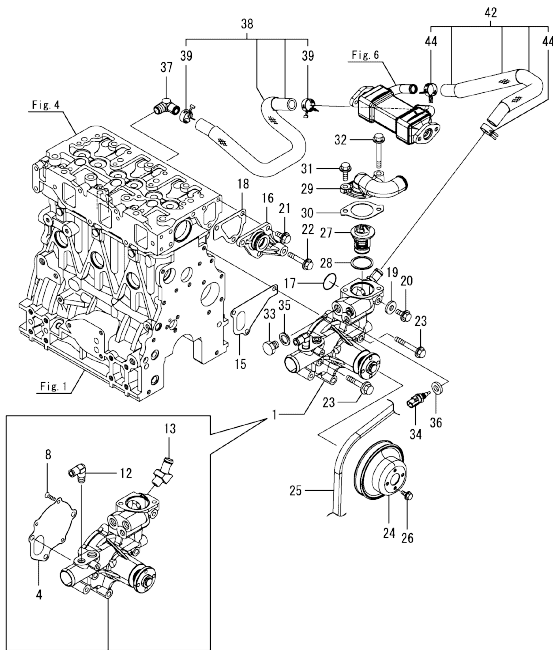


(A)=3TNV86CHT-MWM
(B)=
(C)=

(D)=
(E)=
(F)=

No.	Lev.	Parts No.	Description	Q'ty						I	R
				(A)	(B)	(C)	(D)	(E)	(F)		
1	1	119761-39450	SWITCH, HYDRAULIC	1							
2	1	129A01-39600	PIPE, OIL RETURN	1							
3	1	129266-39620	JOINT, OIL PIPE	1							
4	1	23000-022000	CLAMP, 22	2							
5	1	24316-000160	O-RING, 4DP16.0	1							
6	1	26106-060162	BOLT, M6X 16 PLATED	2							
7	1	124160-39140	BOLT, PIPE JOINT M10	1							
8	1	121252-39150	BOLT, JOINT M10X1.5	1							
9	1	129A01-39460	PIPE ASSY, OIL	1							
10	2	124223-39900	RETAINER	1							
11	1	22190-100002	WASHER, SEAL 10	2							
12	1	23414-100000	GASKET, 10X1.0	2							
13	1	26106-080122	BOLT, M8X 12 PLATED	1							
14	1	129792-39410	VALVE ASSY, CHECK	3							
20	1	129553-39650	NOZZLE, COOLING	3							
21	1	22351-030010	PIN, SPRING 3.0X10	3							

Fig.13. COOLING WATER SYSTEM



(A)=3TNV86CHT-MWM
(B)=
(C)=

(D)=
(E)=
(F)=

No.	Lev.	Parts No.	Description	Q'ty						I	R
				(A)	(B)	(C)	(D)	(E)	(F)		
1	1	129A24-42011	PUMP ASSY, CW	1							
4	2	129100-42051	GASKET, WATER PUMP	1							
8	2	129150-42290	SCREW, FLAT M6X15	3							
12	2	129103-49301	ELBOW, PT1/4	1							
13	2	129C26-49300	ELBOW, R3/8	1							
15	1	129486-42021	GASKET, WATER PUMP	1							
16	1	129004-42040	JOINT, WATER PIPE	1							
17	1	129486-42140	O-RING, G30	1							
18	1	124395-49840	GASKET, THERMOSTAT	1							
19	1	23414-080000	GASKET, 8X1.0	1							
20	1	26106-080122	BOLT, M8X 12 PLATED	1							
21	1	26106-080162	BOLT, M8X 16 PLATED	3							
22	1	26106-080452	BOLT, M8X 45 PLATED	1							
23	1	26106-080602	BOLT, M8X 60 PLATED	3							
24	1	129550-42350	V-PULLEY, PUMP	1							
24-1	1	129155-42350	V-PULLEY, PUMP	1							N
		(A=E060666)									
25	1	25152-004000	V-BELT, A40	1							
25-1	1	129612-42360	V-BELT, A39	1							N
		(A=E060666)									
26	1	26106-060122	BOLT, M6X 12 PLATED	4							
27	1	129457-49801	THERMOSTAT, 82C	1							
28	1	129150-49811	GASKET, THERMOSTAT	1							
29	1	129A33-49530	COVER, THERMOSTAT	1							
30	1	129795-49551	GASKET, COVER	1							
31	1	26106-080222	BOLT, M8X 22 PLATED	1							
32	1	26106-080502	BOLT, M8X 50 PLATED	1							
33	1	121450-42450	PLUG, M16	1							
34	1	129927-44900	SENSOR, TEMPERATURE	1							1
35	1	124465-44950	GASKET, 16	1							
36	1	22190-120002	WASHER, SEAL 12	1							
37	1	129051-49310	ELBOW, PT3/8	1							
38	1	129A23-49610	PIPE ASSY, WATER	1							
39	2	129960-03990	CLAMP, HOSE 19.8	2							
42	1	129A23-49640	HOSE, COOLER OUTLET	1							
44	2	129960-03990	CLAMP, HOSE 19.8	2							

Remarks

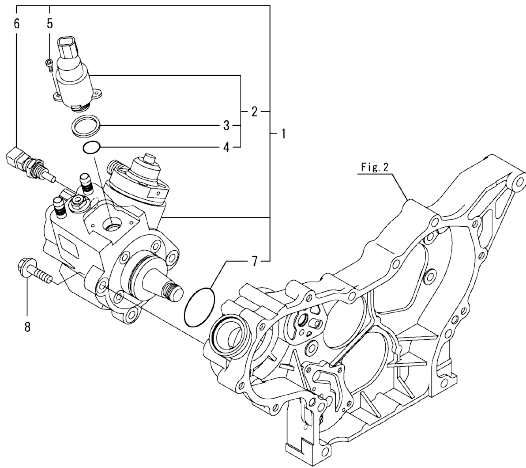
(1)When replacing this part, it is necessary to update the software of the ECU using the designated service tool. Please refer to the Service Manual for details.

Fig.14. FUEL SUPPLY PUMP

(A)=3TNV86CHT-MWM
(B)=
(C)=

(D)=
(E)=
(F)=

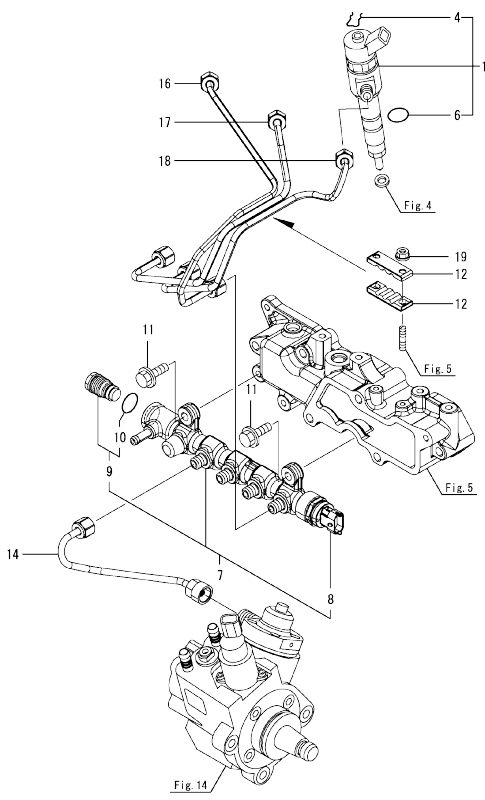
No.	Lev.	Parts No.	Description	Qty						I	R	
				(A)	(B)	(C)	(D)	(E)	(F)			
1	1	129C28-51000	PUMP ASSY, FUEL	1							1	
2	2	129A00-51100	VALVE ASSY	1								1
3	3	129A00-51110	RING, SEAL	1								
4	3	129A00-51120	O-RING, MPROP	1								
5	2	129A00-51130	BOLT, MPROP	2								
6	2	129A00-51200	SENSOR, TEMPERATURE	1								1
7	2	129A00-51900	O-RING, FUEL PUMP	1								
8	1	26106-080302	BOLT, M8X 30 PLATED	3								



Remarks

(1)When replacing this part, it is necessary to update the software of the ECU using the designated service tool. Please refer to the Service Manual for details.

Fig.15. FUEL INJECTION VALVE



(A)=3TNV86CHT-MWM
(B)=
(C)=

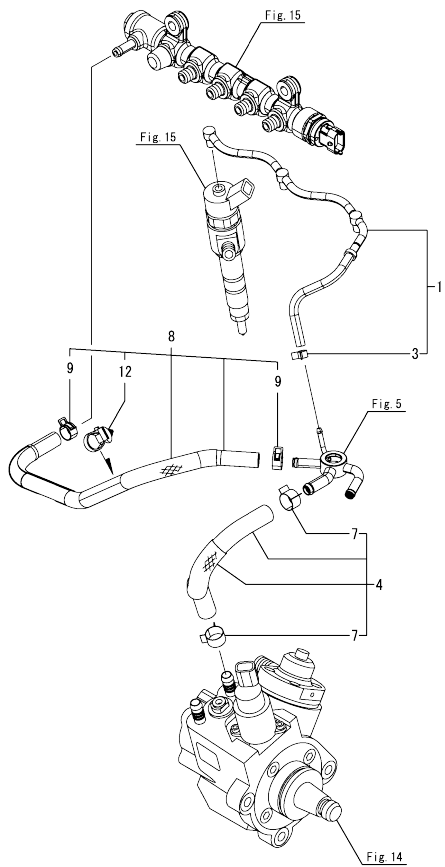
(D)=
(E)=
(F)=

No.	Lev.	Parts No.	Description	Q'ty						I	R
				(A)	(B)	(C)	(D)	(E)	(F)		
1	1	129A01-53100	INJECTOR, CR	3							1
4	2	129A00-53200	RING, RETAINING	3							
6	2	129C28-53300	O-RING	3							
7	1	129A00-57000	COMMON RAIL ASSY	1							1
8	2	129A00-57100	SENSOR, PRESSURE	1							1
9	2	129A00-57200	VALVE ASSY, PLV4	1							1
10	3	129A00-57210	O-RING, PLV4	1							
11	1	26106-080252	BOLT, M8X 25 PLATED	2							
12	1	123372-59100	RETAINER, PIPE	2							
14	1	129A00-59700	PIPE ASSY, RAIL IN	1							
16	1	129A00-59810	PIPE ASSY, INJECTION	1							
17	1	129A00-59820	PIPE ASSY, INJECTION	1							
18	1	129A00-59830	PIPE ASSY, INJECTION	1							
19	1	26366-060002	NUT, M6	2							

Remarks

(1)When replacing this part, it is necessary to update the software of the ECU using the designated service tool. Please refer to the Service Manual for details.

Fig.16. FUEL PIPE

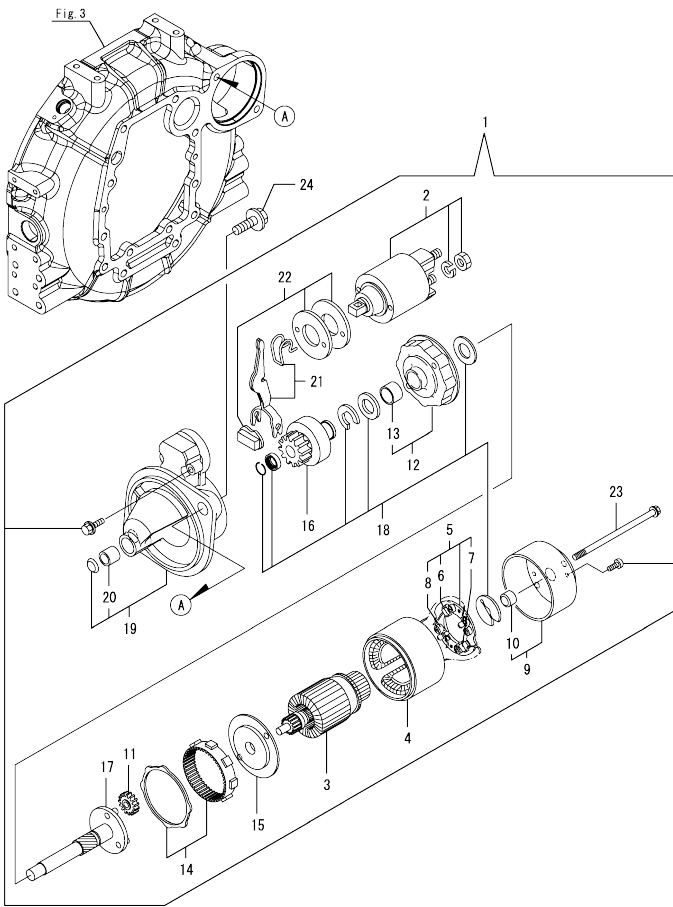


(A)=3TNV86CHT-MWM
(B)=
(C)=

(D)=
(E)=
(F)=

No.	Lev.	Parts No.	Description	Q'ty					
				(A)	(B)	(C)	(D)	(E)	(F)
1	1	129A23-59500	PIPE ASSY, RETURN	1					
3	2	23080-007000	CLAMP, 7	1					
4	1	129A00-59020	PIPE ASSY, RETURN	1					
7	2	23080-015000	CLAMP, 15	2					
8	1	129A00-59030	PIPE ASSY, RETURN	1					
9	2	114270-59010	CLAMP, HOSE 12	2					
12	2	129A00-91200	CLIP, BAND	1					

Fig.17. STARTER MOTOR

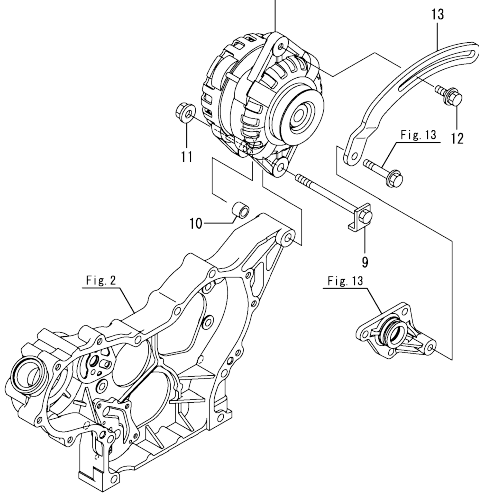
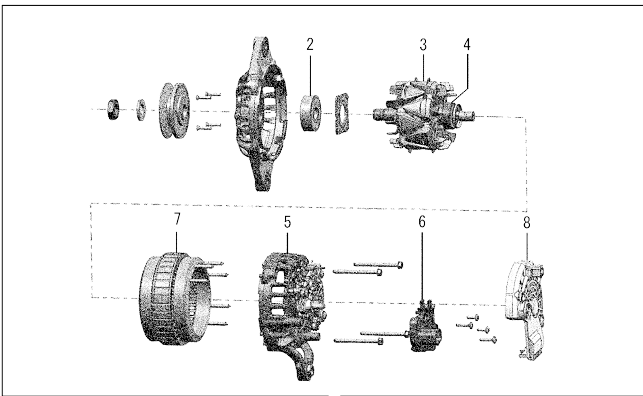


(A)=3TNV86CHT-MWM
(B)=
(C)=

(D)=
(E)=
(F)=

No.	Lev.	Parts No.	Description	Q'ty						I	R
				(A)	(B)	(C)	(D)	(E)	(F)		
1	1	129242-77010	STARTER, 1.7	1							
2	2	129698-77020	SWITCH ASSY, MAGNET	1							
3	2	129242-77100	ARMATURE ASSY	1							
4	2	129242-77110	YOKE ASSY	1							
5	2	129242-77120	HOLDER ASSY, BRUSH	1							
6	3	129242-77130	BRUSH, -	2							
7	3	129242-77140	BRUSH SET	1							
8	3	129242-77150	SPRING, BRUSH	4							
9	2	129242-77160	COVER ASSY, STARTER	1							
10	3	129242-77170	METAL, REAR COVER	1							
11	2	118400-77170	GEAR, PLANETARY	3							
12	2	129242-77180	BRACKET, CENTER P	1							
13	3	129698-77190	BRACKET, CENTER	1							
14	2	129698-77200	GEAR, INTERNAL	1							
15	2	129242-77210	BRACKET, CENTER A	1							
16	2	129698-77220	PINION ASSY	1							
17	2	129698-77230	SHAFT, PINION	1							
18	2	129698-77250	WASHER SET	1							
19	2	129242-77260	CASE ASSY, GEAR	1							
20	3	X2114535200	METAL, STARTER	1							
21	2	129242-77270	LEVER SET, SHIFT	1							
22	2	129242-77280	COVER KIT, DUST	1							
23	2	124195-77770	BOLT, THROUGH	2							
24	1	26106-120252	BOLT, M12X 25 PLATED	2							

Fig.18. GENERATOR



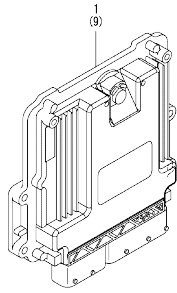
(A)=3TNV86CHT-MWM
(B)=
(C)=

(D)=
(E)=
(F)=

No.	Lev.	Parts No.	Description	Q'ty					
				(A)	(B)	(C)	(D)	(E)	(F)
1	1	129908-77200	ALTERNATOR, 12V	1					
2	2	129908-77710	BEARING, BALL FR	1					
3	2	129908-77720	ROTOR	1					
4	2	129908-77730	BEARING, BALL RR	1					
5	2	129908-77740	RECTIFIER	1					
6	2	129908-77750	REGULATOR	1					
7	2	129908-77760	STATOR	1					
8	2	129908-77770	PROTECTOR	1					
9	1	129908-77220	BOLT, STOPPER M10	1					
10	1	129A20-77350	PIECE, DISTANCE	1					
11	1	26306-100002	NUT, M10	1					
12	1	119810-77340	BOLT, ADJUSTER L=30	1					
13	1	129688-77340	ADJUSTER, BELT	1					

OCD50-M05700 ENGINE

Fig.19. ELECTRONIC CONTROL UNIT(ECU)



OCD50-M05700 Fig.19

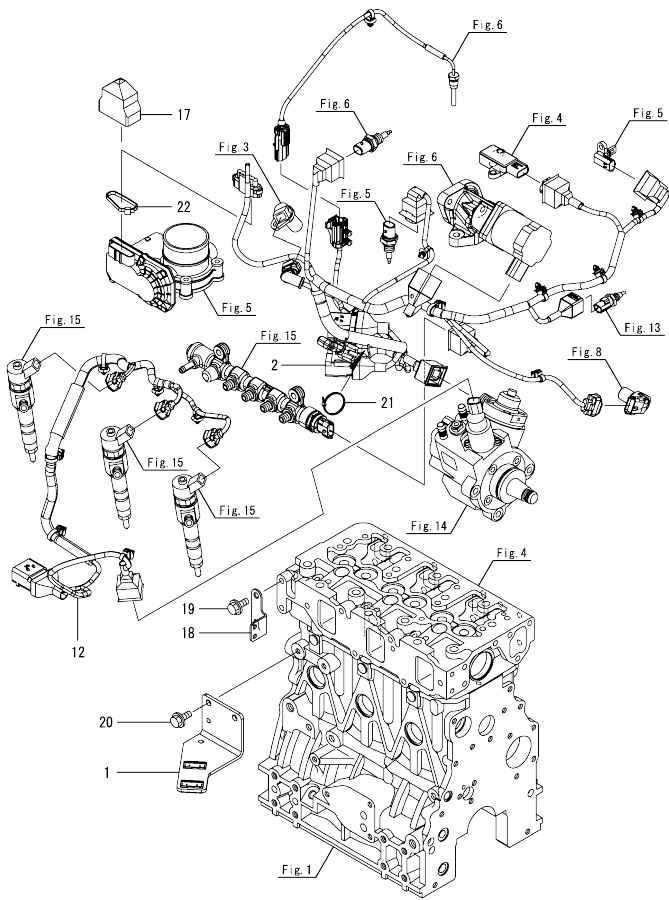
No.	Lev.	Parts No.	Description	Q'ty						I	R
				(A)	(B)	(C)	(D)	(E)	(F)		
1	1	129A35-75020	ECU ASSY,3-86CHT-MWM	1							1
9	1	129A00-75910	ECU ASSY,SERVICE YMR	1							2

(A)=3TNV86CHT-MWM
(B)=
(C)=

(D)=
(E)=
(F)=

Remarks
 (1)Eco ECU
 This part cannot be ordered.
 Replace the part using a Service ECU with the proper engine information installed.
 (2)Service ECU
 When replacing this part, it is necessary to update the software of the ECU using the designated service tool.
 Please refer to the Service Manual for details.

Fig.20. ELECTRIC PARTS

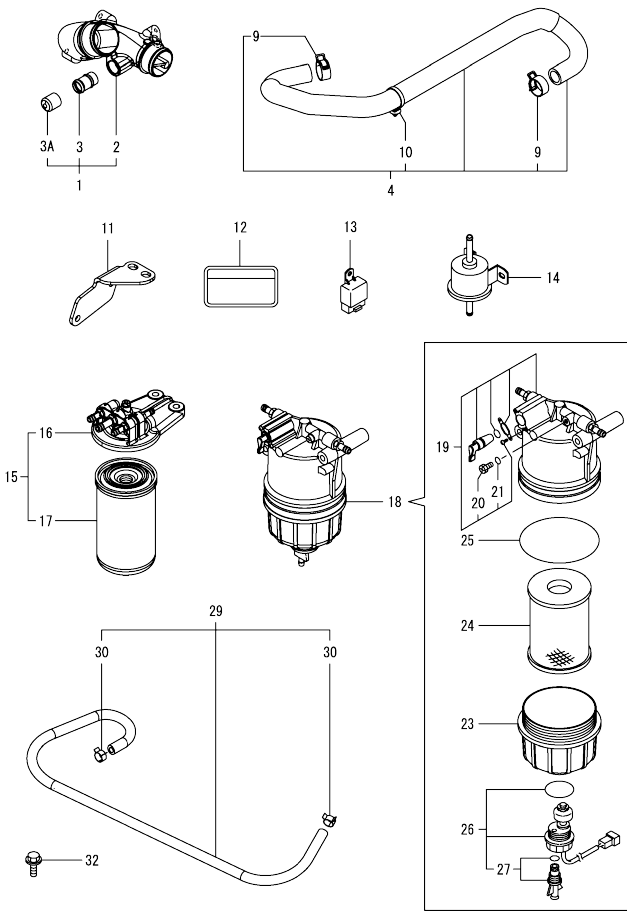


(A)=3TNV86CHT-MWM
(B)=
(C)=

(D)=
(E)=
(F)=

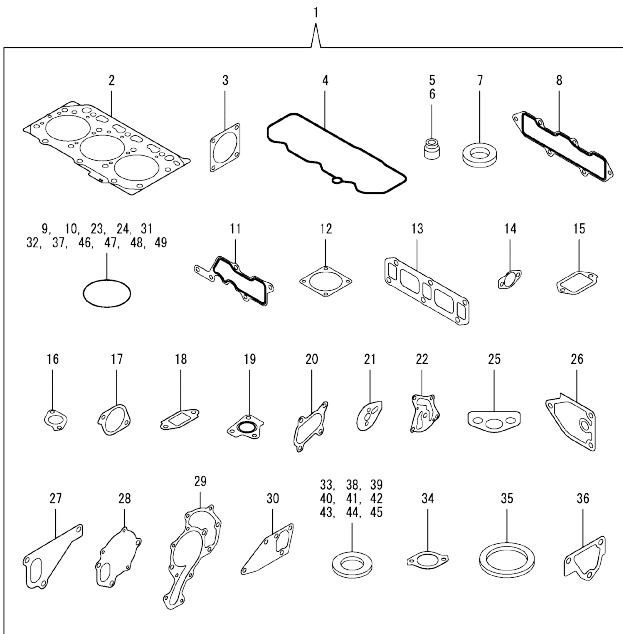
No.	Lev.	Parts No.	Description	Q'ty						I	R
				(A)	(B)	(C)	(D)	(E)	(F)		
1	1	129A24-77940	BRACKET, CONNECTOR	1							
2	1	129A35-91220	HARNESS, B ECO ENGINE	1							
12	1	129A00-91231	HARNESS, C T4	1							
17	1	129A00-91451	BOOT, CAP TYPE	1							
18	1	129A00-91600	BRACKET, HARNESS	1							
19	1	26106-080122	BOLT, M8X 12 PLATED	2							
20	1	26106-080142	BOLT, M8X 14 PLATED	2							
21	1	29621-100000	BAND, TR100	1							
22	1	29621-200000	BAND	1							

Fig.21. ACCESSORY



No.	Lev.	Parts No.	Description	Q'ty						I	R
				(A)	(B)	(C)	(D)	(E)	(F)		
1	1	129A35-03030	JOINT ASSY,BREATHER	1							
2	2	129A35-03110	JOINT,BREATHER	1							
3	2	129001-11340	PIPE, BREATHER	1							
3A	2	129A33-03070 (A=E05493)	CAP	1							W
4	1	129A35-03130	HOSE ASSY, BREATHER	1							
9	2	129410-03990	CLAMP, HOSE 21.5	2							
10	2	129A00-91200	CLIP, BAND	1							
11	1	129A35-03200	BRACKET,BREATHER	1							
12	1	114110-07761 (A=E06066)	LABEL, FUEL CAUTION	1							Z
13	1	172B02-17150	RELAY, CA TYPE C	1							
14	1	129612-52100	PUMP, FUEL FEED	1							
15	1	129A00-55600	FILTER ASSY, FUEL	1							
16	2	129A00-55610	BRACKET ASSY, FILTER	1							
17	2	129A00-55800	FILTER, FUEL	1							
18	1	129C01-55701	FILTER ASSY, FO PRE	1							
19	2	129A00-55710	BODY ASSY	1							
20	3	129A00-55751	PLUG, AIR VENT	1							
21	3	129A00-55760	O-RING	1							
23	2	129C01-55720	CUP, FUEL FILTER	1							
24	2	129A00-55730	ELEMENT, FUEL FILTER	1							
25	2	129A00-55740	O-RING	1							
26	2	129917-55870	SENSOR ASSY, LEVEL	1							
27	3	129242-55740	PLUG, DRAIN	1							
29	1	129A24-59040	PIPE ASSY, FUEL	1							
30	2	114270-59010	CLAMP, HOSE 12	2							
32	1	26106-080202	BOLT, M8X 20 PLATED	4							

Fig.22. GASKET SET



(A)=3TNV86CHT-MWM
(B)=
(C)=

(D)=
(E)=
(F)=

No.	Lev.	Parts No.	Description	Qty						I	R	
				(A)	(B)	(C)	(D)	(E)	(F)			
1	1	729A01-92600	GASKET SET	1							1	
2	2	129A01-01331	GASKET ASSY, HEAD	1								
3	2	129C26-01890	GASKET, PUMP	2								
4	2	129A00-11310	GASKET, BONNET	1								
5	2	124460-11340	SEAL, VALVE STEM	3								
6	2	129A00-11340	SEAL, VALVE STEM	3								
7	2	129978-11871	GASKET, INJECTOR	3								
8	2	129A00-12110	GASKET, MANIFOLD	1								
9	2	129A00-12780	O-RING, EGR SENSOR	2								
10	2	129A00-12790	O-RING, TEMP SENSOR	1								
11	2	129A00-12810	GASKET, COLLECTOR	1								
12	2	129A00-12910	GASKET, THROTTLE	2								
13	2	129A00-13110	GASKET, MANIFOLD	1								
14	2	129A00-13410	GASKET, EGR COOLER	2								
15	2	129A00-13720	GASKET, EGR-V SPACER	1								
16	2	129927-13810	GASKET, EGR PIPE	1								
17	2	129A00-13910	GASKET, EGR-V INLET	1								
18	2	129A00-13920	GASKET, EGR-V OUTLET	1								
19	2	129A01-18080	GASKET, TURBINE IN	1								
20	2	129A01-18090	GASKET, TURBINE OUT	1								
21	2	129A00-25210	GASKET, IDLE SHAFT B	1								
22	2	129486-32020	GASKET, PUMP	1								
23	2	119609-32040	O-RING, P16	2								
24	2	119624-32040	O-RING, P12.0	1								
25	2	129150-35042	GASKET, INLET PIPE	1								
26	2	129150-35111	GASKET, BRACKET	1								
27	2	129486-42021	GASKET, WATER PUMP	1								
28	2	129100-42051	GASKET, WATER PUMP	1								
29	2	129150-42059	GASKET	1								
30	2	129486-42050	GASKET, WATER PUMP	1								
31	2	129486-42140	O-RING, G30	1								
32	2	129054-42320	O-RING	1								
33	2	124465-44950	GASKET, 16	1								
34	2	129795-49551	GASKET, COVER	1								
35	2	129150-49811	GASKET, THERMOSTAT	1								
36	2	124395-49840	GASKET, THERMOSTAT	1								
37	2	129A00-51900	O-RING, FUEL PUMP	1								
38	2	22190-080002	WASHER, SEAL 8	3								
39	2	22190-100002	WASHER, SEAL 10	2								
40	2	22190-120002	WASHER, SEAL 12	1								
41	2	22190-140002	WASHER, SEAL 14	2								
42	2	22190-160002	WASHER, SEAL 16	1								
43	2	23414-080000	GASKET, 8X1.0	1								
44	2	23414-100000	GASKET, 10X1.0	2								
45	2	23414-120000	GASKET, 12X1.0	2								
46	2	24311-000120	O-RING, 1AP12.0	3								
47	2	24311-000320	O-RING, 1AP32.0	2								
48	2	24316-000160	O-RING, 4DP16.0	1								
49	2	24358-240310	O-RING, 524031	1								

Remarks

(1)Optional parts.

Parts No. Index

Parts No.	Fig. No.	Ref. No.
114110-07761	21	12
114270-59010	16	9
	21	30
118400-77170	17	11
119005-35151	11	39
119131-18320	6	25
119609-32040	2	5
	22	23
119620-01750	3	3
119624-32040	2	6
	22	24
119640-01640	3	7
119640-61400	4	55
119761-39450	12	1
119802-11260	4	4
119802-11270	4	5
119802-11280	4	6
119802-25071	8	28
119803-21200	10	4
119803-77830	4	67
119810-77340	18	12
119934-01800	2	14
120130-11860	4	68
120270-54410	4	32
121027-11743	2	10
121111-21501	10	11
121252-39150	12	8
121450-42450	13	33
121520-34810	11	17
121550-23200	10	30
121850-21680	10	10
123372-59100	15	12
123907-03100	4	42
123907-03110	4	43
123907-03120	4	44
123907-03140	4	45
124060-01050	1	11
124160-01751	2	3
	4	37
124160-01910	1	12
		13
124160-11360	4	38
124160-39140	12	7
124195-77770	17	23
124223-39900	12	10
124240-01871	2	15
124395-49840	13	18
	22	36
124460-11340	4	26
	22	5

Parts No.	Fig. No.	Ref. No.
124465-44950	13	35
	22	33
124550-21600	10	14
129001-01250	1	4
129001-02931	1	29
129001-11340	21	3
129004-03010	4	40
129004-11241	4	1
129004-11251	4	2
129004-11650	4	8
129004-42040	13	16
129005-11100	4	22
129005-21650	10	8
129005-34802	11	16
129006-44480	11	30
129008-21000	10	1
129008-77800	4	65
129009-11340	4	49
129033-01770	11	25
129033-35100	11	24
129033-49030	11	31
129051-49310	13	37
129054-42320	22	32
129067-33011	11	21
129100-01580	2	2
	3	1
	10	15
	10	2
129100-01730	3	10
129100-11130	4	24
129100-23910	10	33
129100-42051	13	4
	22	28
129103-35122	11	28
129103-49301	13	12
129121-01540	3	6
129122-44480	2	7
129150-01200	1	27
129150-02020	1	6
129150-02450	8	4
129150-02871	1	32
129150-02931	1	24
129150-02941	1	35
129150-03070	4	41
129150-11230	4	9
129150-11280	4	7
129150-11370	4	12
129150-11750	4	11
129150-11810	4	69
129150-14200	8	1

Parts No.	Fig. No.	Ref. No.
129150-14400	8	2
129150-23601	10	31
129150-23611	10	34
129150-35042	11	19
	22	25
129150-35111	22	26
129150-42059	22	29
129150-42290	13	8
129150-49811	13	28
	22	35
129155-42350	13	24
129202-22300	10	24
129242-55740	21	27
129242-77010	17	1
129242-77100	17	3
129242-77110	17	4
129242-77120	17	5
129242-77130	17	6
129242-77140	17	7
129242-77150	17	8
129242-77160	17	9
129242-77170	17	10
129242-77180	17	12
129242-77210	17	15
129242-77260	17	19
129242-77270	17	21
129242-77280	17	22
129266-39620	12	3
129410-03990	21	9
129417-33111	11	23
129417-35150	11	27
129418-18320	6	7
	19	19
129457-49801	13	27
129486-01670	3	19
129486-32020	11	13
	22	22
129486-42021	13	15
	22	27
129486-42050	22	30
129486-42140	13	17
	22	31
129508-33050	11	22
129550-42350	13	24
129553-39650	12	20
129612-42360	13	25
129612-52100	21	14
129648-01600	3	16
129648-01780	3	18
129688-77340	18	13

Parts No.	Fig. No.	Ref. No.
129698-77020	17	2
129698-77190	17	13
129698-77200	17	14
129698-77220	17	16
129698-77230	17	17
129698-77250	17	18
129792-39410	12	14
129795-01950	2	4
129795-02412	1	9
129795-11120	4	23
129795-11180	4	25
129795-21661	10	9
129795-49551	13	30
	22	34
129908-77200	18	1
129908-77220	18	9
129908-77710	18	2
129908-77720	18	3
129908-77730	18	4
129908-77740	18	5
129908-77750	18	6
129908-77760	18	7
129908-77770	18	8
129917-55870	21	26
129927-13810	6	28
	22	16
129927-44900	13	34
129930-13201	7	1
129956-49210	11	34
129956-49230	11	36
129960-03990	13	39
	44	44
129973-07910	4	63
129978-11871	4	30
	22	7
129978-12700	4	50
129978-17700	7	30
129A00-01550	2	12
129A00-11310	4	47
	22	4
129A00-11330	4	48
129A00-11340	4	27
	22	6
129A00-11900	4	31
129A00-12110	5	9
	22	8
129A00-12711	5	5
129A00-12721	5	13
129A00-12780	4	51
	22	9

Parts No. Index

Parts No.	Fig. No.	Ref. No.	Parts No.	Fig. No.	Ref. No.	Parts No.	Fig. No.	Ref. No.	Parts No.	Fig. No.	Ref. No.
129A00-12790	5	6	129A00-25210	8	26	129A01-18080	9	2	129C00-16410	7	8
	22	10		22	21		22	19	129C01-13700	5	18
129A00-12810	5	15	129A00-25900	8	18	129A01-18090	6	24	129C01-16690	7	14
	22	11	129A00-51100	14	2		22	20	129C01-55701	21	18
129A00-12820	5	30	129A00-51110	14	3	129A01-22080	10	16	129C01-55720	21	23
129A00-12900	5	31	129A00-51120	14	4	129A01-22500	10	18	129C23-13930	7	3
129A00-12910	5	32	129A00-51130	14	5	129A01-22900	10	36	129C23-13940	7	4
	22	12	129A00-51200	14	6	129A01-22950	10	38	129C26-01890	22	3
129A00-13110	6	2	129A00-51900	14	7	129A01-32000	11	1	129C26-49300	13	13
	22	13		22	37	129A01-39460	12	9	129C28-51000	14	1
129A00-13300	6	8	129A00-53200	15	4	129A01-39600	12	2	129C28-53300	15	6
129A00-13350	6	10	129A00-55600	21	15	129A01-53100	15	1	129C61-35000	11	18
	7	21	129A00-55610	21	16	129A20-16510	7	10	129E00-13601	6	22
129A00-13360	4	52	129A00-55710	21	19	129A20-77350	18	10	129E00-13620	6	16
129A00-13380	4	54	129A00-55730	21	24	129A23-16700	7	16	129E00-13640	6	23
129A00-13400	6	13	129A00-55740	21	25	129A23-49610	13	38	129E22-17500	7	25
129A00-13410	6	14	129A00-55751	21	20	129A23-49640	13	42	129F01-13600	6	15
	22	14	129A00-55760	21	21	129A23-59130	5	19	129F01-13620	6	4
129A00-13710	5	24	129A00-55800	21	17	129A23-59500	16	1	171008-03990	11	32
129A00-13720	5	25	129A00-57000	15	7	129A24-01600	3	2	171051-01921	1	5
	22	15	129A00-57100	15	8	129A24-21590	10	12	171056-49120	11	15
129A00-13752	6	26	129A00-57200	15	9	129A24-42011	13	1	172B02-17150	21	13
129A00-13800	6	27	129A00-57210	15	10	129A24-59040	21	29	22190-080002	2	16
129A00-13851	6	17	129A00-59020	16	4	129A24-77940	20	1		22	38
129A00-13861	6	18	129A00-59030	16	8	129A33-01500	2	1	22190-100002	12	11
129A00-13901	6	31	129A00-59700	15	14	129A33-03070	21	3 A		22	39
129A00-13910	6	32	129A00-59810	15	16	129A33-12900	5	16	22190-120002	13	36
	22	17	129A00-59820	15	17	129A33-13101	6	1		22	40
129A00-13920	6	33	129A00-59830	15	18	129A33-17580	7	29	22190-140002	5	20
	22	18	129A00-75910	19	9	129A33-17880	7	31		22	41
129A00-14100	8	6	129A00-77820	4	66	129A33-49530	13	29	22190-160002	22	42
129A00-14580	8	3	129A00-91200	6	6	129A35-03010	5	1	22190-220002	3	9
129A00-14700	8	8		16	12	129A35-03030	21	1	22217-180000	8	19
129A00-14701	8	8 -1		21	10	129A35-03110	21	2	22252-000260	10	25
129A00-14710	8	11	129A00-91231	20	12	129A35-03130	21	4	22351-030010	10	7
129A00-16600	7	12	129A00-91451	20	17	129A35-03200	21	11		12	21
129A00-16610	7	13	129A00-91600	20	18	129A35-07910	7	38	22351-060012	4	33
129A00-16700	7	15	129A01-01331	1	28	129A35-07960	7	38 -1	22512-070140	8	7
129A00-16740	7	17		22	2	129A35-13310	6	21		10	5
129A00-17311	7	22	129A01-01560	1	1	129A35-16000	7	5	22857-500100	4	57
129A00-17340	7	23	129A01-03052	5	2	129A35-16070	7	5 -1			58
129A00-17520	7	26	129A01-11360	4	39	129A35-16200	7	6			59
129A00-17570	7	28	129A01-11700	4	13	129A35-16220	7	6 -1	22857-500160	5	21
129A00-21710	3	21	129A01-12060	5	4	129A35-17370	7	32	23000-022000	12	4
129A00-25050	8	13	129A01-12100	5	11	129A35-17380	7	39	23000-054000	5	7
129A00-25060	8	21	129A01-12150	5	10	129A35-17381	7	39 -1	23080-007000	16	3
129A00-25080	8	29	129A01-12800	5	17	129A35-17382	7	39 -2	23080-015000	16	7
129A00-25110	8	14	129A01-13601	6	3	129A35-17430	7	32 -1	23080-018000	11	37
129A00-25120	8	22	129A01-13760	6	5	129A35-75020	19	1	23297-080061	6	9
129A00-25200	8	25	129A01-18011	9	1	129A35-91220	20	2	23414-080000	13	19

Parts No. Index

Parts No.	Fig. No.	Ref. No.
23414-080000	22	43
23414-100000	12	12
	22	44
23414-120000	6	11
	22	45
23857-080000	5	22
24311-000120	4	61
	22	46
24311-000320	2	8
		11
	4	62
	22	47
24316-000160	12	5
	22	48
24358-240310	22	49
25152-004000	13	25
26106-060102	8	9
26106-060122	6	12
	13	26
26106-060162	5	8
	12	6
26106-060202	5	33
26106-060402	5	34
26106-060902	5	35
26106-080122	12	13
	13	20
	20	19
26106-080142	7	18
	8	10
	20	20
26106-080162	2	9
		17
	3	11
	7	33
		34
	40	-1
	13	21
26106-080202	4	64
	7	40
	21	32
26106-080222	13	31
26106-080252	3	12
	4	34
	6	29
	7	35
		41
	11	38
	15	11
26106-080302	14	8
26106-080352	2	18

Parts No.	Fig. No.	Ref. No.
26106-080352	3	20
	4	35
	7	42
26106-080402	2	19
	8	27
26106-080452	3	13
	8	17
	13	22
26106-080502	3	14
	4	36
	5	14
		26
	6	20
	13	32
26106-080552	11	20
26106-080602	2	20
	13	23
26106-080752	5	27
26106-080852	2	21
26106-120202	7	36
26106-120252	17	24
26206-100252	3	4
26206-100302	3	5
26216-060202	5	12
26216-080352	5	23
26216-081052	5	28
26306-080002	5	29
	6	30
		34
	7	19
		37
	9	3
26306-100002	18	11
26366-060002	15	19
26450-060162	3	22
	4	60
	8	12
26450-060252	11	14
26776-180002	8	20
27241-120000	1	14
27241-300000	1	10
27241-400000	4	21
27310-080001	4	28
29621-100000	20	21
29621-200000	20	22
729402-23100	10	26
729A01-92600	22	1
X2114535200	17	20

Parts No.	Fig. No.	Ref. No.
-----------	----------	----------

Parts No.	Fig. No.	Ref. No.
-----------	----------	----------