

0CD50-M05890EN

P R E F A C E

This parts catalog is the 1st edition of 3TNV86CHT-MWM2 for Weidmann.

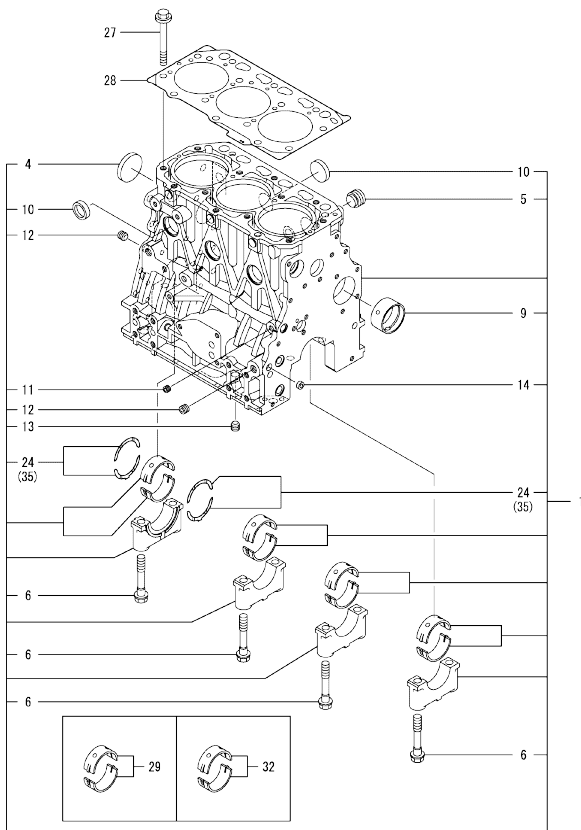
Published : March, 2020

Contents

0CD50-M05890

Fig. No.	Fig. Name	Fig. No.	Fig. Name
ENGINE			
1.	CYLINDER BLOCK		
2.	GEAR HOUSING		
3.	FLYWHEEL HOUSING & OIL SUMP		
4.	CYLINDER HEAD & BONNET		
5.	SUCTION MANIFOLD		
6.	EXHAUST MANIFOLD		
7.	DIESEL PARTICULATE FILTER(DPF)		
8.	CAMSHAFT & DRIVING GEAR		
9.	TURBINE		
10.	CRANKSHAFT & PISTON		
11.	LUB. OIL SYSTEM		
12.	LUB. OIL PIPE		
13.	COOLING WATER SYSTEM		
14.	FUEL SUPPLY PUMP		
15.	FUEL INJECTION VALVE		
16.	FUEL PIPE		
17.	STARTER MOTOR		
18.	GENERATOR		
19.	ELECTRONIC CONTROL UNIT(ECU)		
20.	ELECTRIC PARTS		
21.	ACCESSORY		

Fig.1. CYLINDER BLOCK



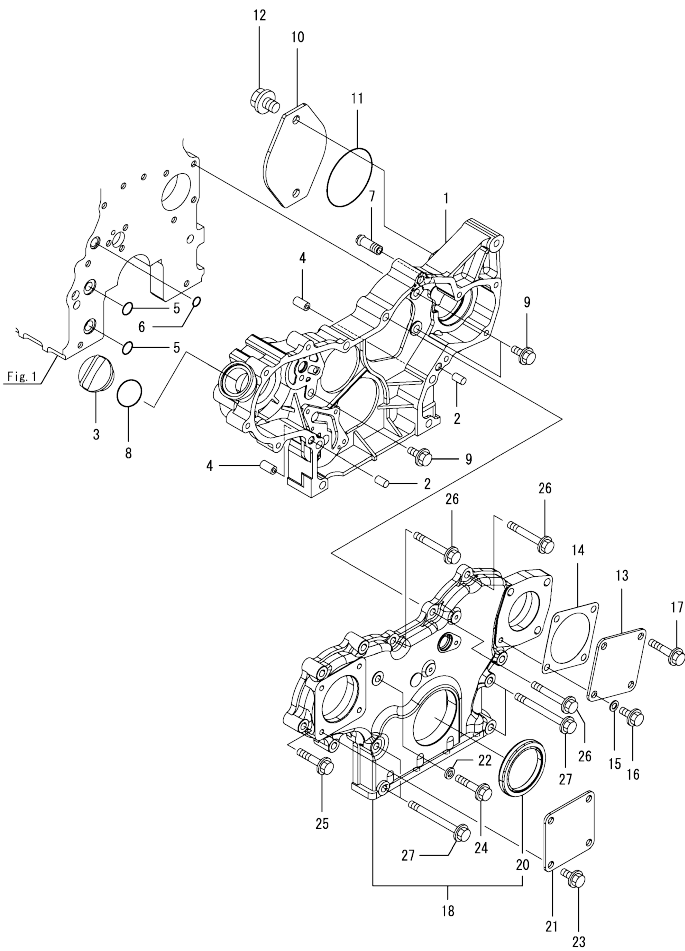
(A)=3TNV86CHT-MWM2
(B)=
(C)=

(D)=
(E)=
(F)=

No.	Lev.	Parts No.	Description	Q'ty						I	R
				(A)	(B)	(C)	(D)	(E)	(F)		
1	1	129A01-01560	BLOCK ASSY, CYLINDER	1							
4	2	129001-01250	PLUG, 50	1							
5	2	171051-01921	PLUG, NPTF1	1							
6	2	129150-02020	BOLT, METAL CAP	8							
9	2	129795-02412	BUSH, CAMSHAFT	1							
10	2	27241-300000	PLUG 30	6							
11	2	124060-01050	PLUG, PT1/8	1							
12	2	124160-01910	PLUG, PT1/4	2							
13	2	124160-01910	PLUG, PT1/4	1							
14	2	27241-120000	PLUG, 12	1							
24	2	129150-02931	METAL ASSY, THRUST	2							
27	1	129150-01200	BOLT, CYLINDER HEAD	14							
28	1	129A01-01331	GASKET ASSY, HEAD	1							
29	1	129001-02931	METAL ASSY, MAIN	4							1
32	1	129150-02871	METAL ASSY, MAIN .25	4							2
35	1	129150-02941	METAL ASSY, 0.25 OS	1							3

Remarks
 (1)Spare parts.
 (2)Under-sized(U.S.=0.25) parts.
 (3)Over-sized(O.S.=0.25) parts.

Fig.2. GEAR HOUSING

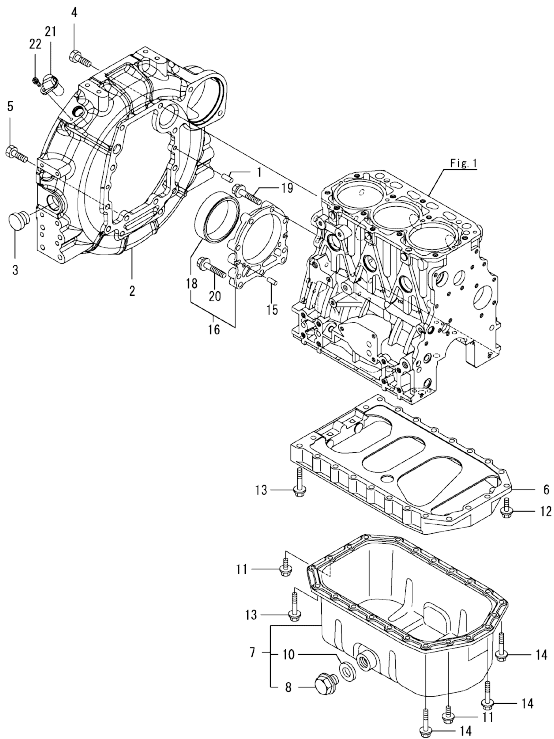


(A)=3TNV86CHT-MWM2
(B)=
(C)=

(D)=
(E)=
(F)=

No.	Lev.	Parts No.	Description	Qty						I	R
				(A)	(B)	(C)	(D)	(E)	(F)		
1	1	129A32-01510	CASE, GEAR	1							
2	1	129100-01580	PIN, PARALLEL 8X16	2							
3	1	124160-01751	CAP, FILLER	1							
4	1	129795-01950	PIPE, KNOCK L=18	2							
5	1	119609-32040	O-RING, P16	2							
6	1	119624-32040	O-RING, P12.0	1							
7	1	129122-44480	JOINT, PT1/4	1							
8	1	24311-000320	O-RING, 1AP32.0	1							
9	1	26106-080162	BOLT, M8X 16 PLATED	3							
10	1	121023-26071	COVER, PUMP	1							
11	1	24321-000850	O-RING, 1AG85.0	1							
12	1	26106-100202	BOLT, M10X 20 PLATED	2							
13	1	124240-01871	COVER, HYDRAULIC PUMP	1							
14	1	129C26-01890	GASKET, PUMP	1							
15	1	22190-080002	WASHER, SEAL 8	1							
16	1	26106-080142	BOLT, M8X 14 PLATED	1							
17	1	26106-080352	BOLT, M8X 35 PLATED	3							
18	1	129C00-01550	COVER ASSY, CASE	1							
20	2	119934-01800	SEAL, OIL	1							
21	1	124240-01871	COVER, HYDRAULIC PUMP	1							
22	1	22190-080002	WASHER, SEAL 8	1							
23	1	26106-080162	BOLT, M8X 16 PLATED	4							
24	1	26106-080352	BOLT, M8X 35 PLATED	1							
25	1	26106-080402	BOLT, M8X 40 PLATED	5							
26	1	26106-080602	BOLT, M8X 60 PLATED	3							
27	1	26106-080852	BOLT, M8X 85 PLATED	4							

Fig.3. FLYWHEEL HOUSING & OIL SUMP



(A)=3TNV86CHT-MWM2
(B)=
(C)=

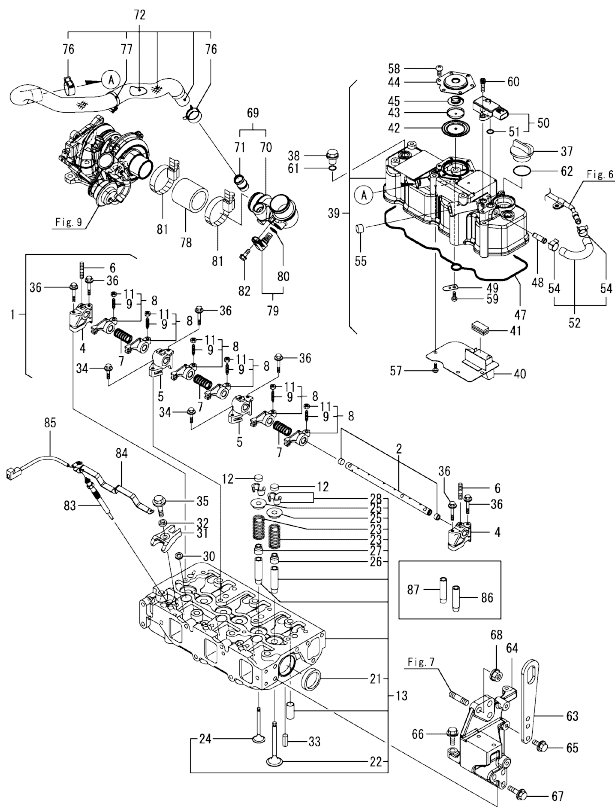
(D)=
(E)=
(F)=

No.	Lev.	Parts No.	Description	Q'ty						I	R
				(A)	(B)	(C)	(D)	(E)	(F)		
1	1	129100-01580	PIN, PARALLEL 8X16	2							
2	1	129A35-01600	HOUSING, FLYWHEEL	1							
3	1	119620-01750	CAP, WHEEL COVER	1							
4	1	26206-100252	BOLT, M10X 25 PLATED	6							
5	1	26206-100302	BOLT, M10X 30 PLATED	4							
6	1	129100-01730	SPACER, OIL PAN	1							
7	1	129100-01760	OIL PAN ASSY	1							
8	2	119640-01640	PLUG, DRAIN M22	1							
10	2	22190-220002	WASHER, SEAL 22	1							
11	1	26106-080162	BOLT, M8X 16 PLATED	4							
12	1	26106-080252	BOLT, M8X 25 PLATED	2							
13	1	26106-080452	BOLT, M8X 45 PLATED	16							
14	1	26106-080502	BOLT, M8X 50 PLATED	4							
15	1	129100-01580	PIN, PARALLEL 8X16	2							
16	1	129648-01600	CASE ASSY, OIL SEAL	1							
18	2	129648-01780	SEAL, OIL	1							
19	1	129486-01670	BOLT, M8X30	6							
20	1	26106-080352	BOLT, M8X 35 PLATED	3							
21	1	129A00-21710	SENSOR, FLYWHEEL	1							1
22	1	26450-060162	BOLT, M6X 16	1							

Remarks

(1)When replacing this part, it is necessary to update the software of the ECU using the designated service tool. Please refer to the Service Manual for details.

Fig.4. CYLINDER HEAD & BONNET



(A)=3TNV86CHT-MWM2
(B)=
(C)=

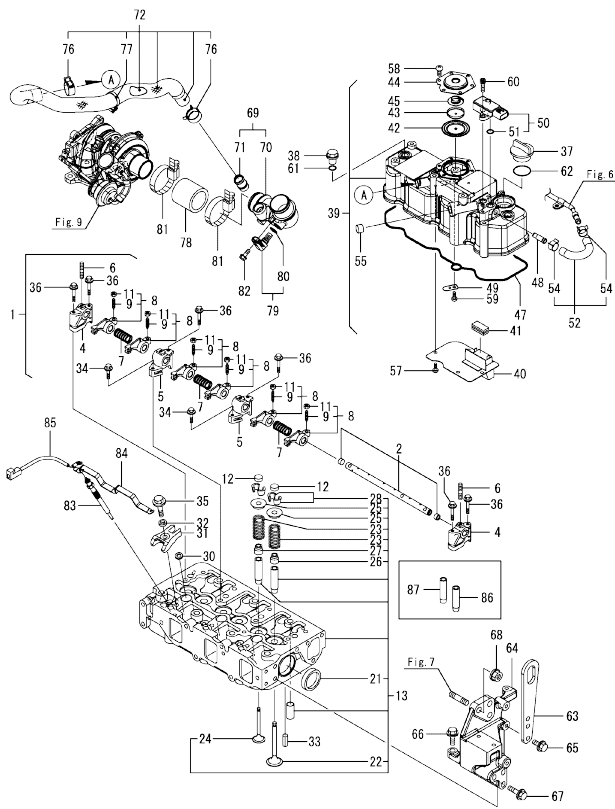
(D)=
(E)=
(F)=

No.	Lev.	Parts No.	Description	Q'ty						I	R
				(A)	(B)	(C)	(D)	(E)	(F)		
1	1	129004-11241	SHAFT ASSY, ROCKER	1							
2	2	129004-11251	SHAFT, ROCKER ARM	1							
4	2	119802-11260	SUPPORT, ROCKER ARM	2							
5	2	119802-11270	SUPPORT, ROCKER ARM	2							
6	2	119802-11280	BOLT, STUD	3							
7	2	129150-11280	SPRING, SHAFT	3							
8	2	129004-11650	ARM ASSY, ROCKER	6							
9	3	129150-11230	SCREW, VALVE ADJUST	6							
11	3	129150-11750	NUT, M8XP1.0	6							
12	1	129150-11370	CAP, VALVE	6							
13	1	129A01-11700	HEAD ASSY, CYLINDER	1							
21	2	27241-400000	PLUG, 40	2							
22	2	129005-11100	VALVE, INTAKE	3							
23	2	129795-11120	SPRING, VALVE	6							
24	2	129100-11130	VALVE, EXHAUST	3							
25	2	129795-11180	RETAINER, SPRING	6							
26	2	124460-11340	SEAL, VALVE STEM	3							
27	2	129A00-11340	SEAL, VALVE STEM	3							
28	2	27310-080001	COTTER, 8	6							
30	1	129978-11871	GASKET, INJECTOR	3							
31	1	129A00-11900	RETAINER, INJECTOR	3							
32	1	120270-54410	WASHER, INJECTOR	3							
33	1	22351-060012	PIN, SPRING 6.0X12	2							
34	1	26106-080252	BOLT, M8X 25 PLATED	2							
35	1	26106-080352	BOLT, M8X 35 PLATED	3							
36	1	26106-080502	BOLT, M8X 50 PLATED	6							
37	1	124160-01751	CAP, FILLER	1							
38	1	124160-11360	KNOB, BONNET	3							
39	1	129A01-11360	BONNET ASSY, HEAD	1							
40	2	129004-03010	PLATE, BAFFLE	1							
41	2	129150-03070	BAFFLE, BREATHER	1							
42	2	123907-03100	DIAPHRAGM, BREATHER	1							
43	2	123907-03110	PLATE, CENTER	1							
44	2	123907-03120	PLATE, BREATHER	1							
45	2	123907-03140	SPRING, DIAPHRAGM	1							
47	2	129A00-11310	GASKET, BONNET	1							
48	2	129A00-11330	JOINT	1							
49	2	129009-11340	SPRING, PLATE	1							
50	2	129978-12700	SENSOR, PRESSURE	1							1
51	3	129A00-12780	O-RING, EGR SENSOR	2							
52	2	129A00-13360	HOSE ASSY, PRESSURE	1							
54	3	129A00-13380	CLIP, HOSE 14	2							
55	2	119640-61400	PLUG	1							
57	2	22857-500100	SCREW, 5X10	4							
58	2	22857-500100	SCREW, 5X10	6							
59	2	22857-500100	SCREW, 5X10	1							
60	2	26450-060162	BOLT, M6X 16	2							
61	1	24311-000120	O-RING, 1AP12.0	3							
62	1	24311-000320	O-RING, 1AP32.0	1							
63	1	129900-07900	LIFTER, ENGINE	1							
64	1	129A75-07930	SPACER, LIFTER	1							

Remarks

- (1)When replacing this part, it is necessary to update the software of the ECU using the designated service tool. Please refer to the Service Manual for details.
- (2)Spare parts.

Fig.4. CYLINDER HEAD & BONNET



(A)=3TNV86CHT-MWM2
(B)=
(C)=

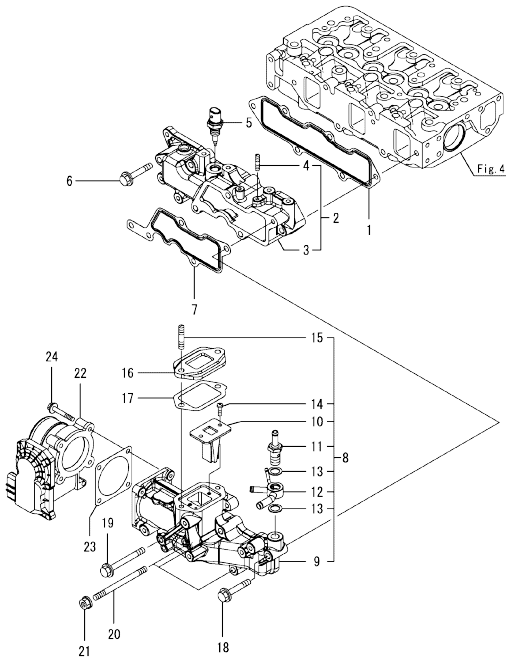
(D)=
(E)=
(F)=

No.	Lev.	Parts No.	Description	Q'ty						I	R
				(A)	(B)	(C)	(D)	(E)	(F)		
65	1	26106-080162	BOLT, M8X 16 PLATED	2							
66	1	26106-080252	BOLT, M8X 25 PLATED	1							
67	1	26106-080302	BOLT, M8X 30 PLATED	3							
68	1	26306-100002	NUT, M10	3							
69	1	129A35-03040	JOINT ASSY,BREATHER	1							
70	2	129A35-03020	JOINT, BREATHER	1							
71	2	129001-11340	PIPE, BREATHER	1							
72	1	129A35-03240	HOSE ASSY, BREATHER	1							
76	2	129410-03990	CLAMP, HOSE 21.5	2							
77	2	129A00-91200	CLIP, BAND	1							
78	1	129A01-12060	HOSE, AIR	1							
79	1	129A00-12711	SENSOR, TEMPERATURE	1							
80	2	129A00-12790	O-RING, TEMP SENSOR	1							
81	1	23000-054000	CLAMP, 54	2							
82	1	26106-060162	BOLT, M6X 16 PLATED	1							
83	1	129008-77800	PLUG, GLOW	3							
84	1	129A00-77820	CONNECTOR, GLOW PLUG	1							
85	1	119803-77830	HARNESS, WIRE	1							
86	1	120130-11860	GUIDE, VALVE	3							2
87	1	129150-11810	GUIDE, VALVE	3							2

Remarks

- (1)When replacing this part, it is necessary to update the software of the ECU using the designated service tool. Please refer to the Service Manual for details.
- (2)Spare parts.

Fig.5. SUCTION MANIFOLD



(A)=3TNV86CHT-MWM2
(B)=
(C)=

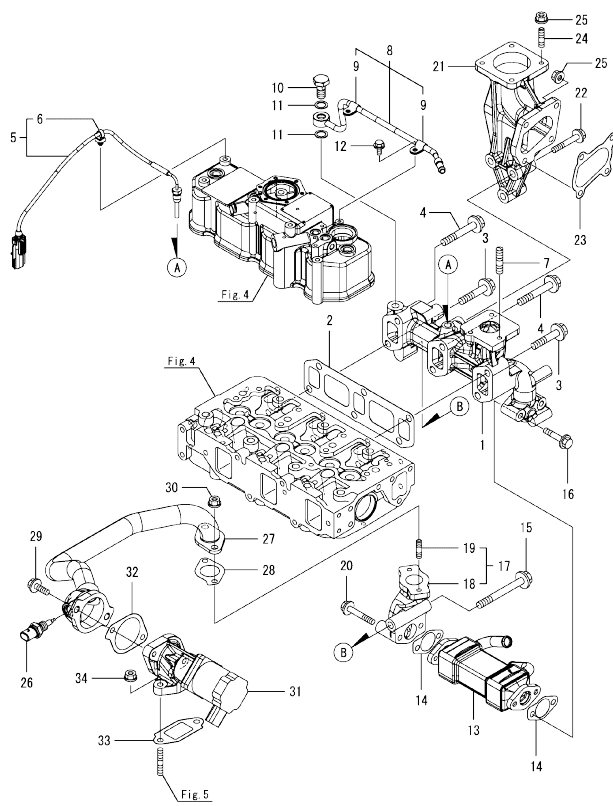
(D)=
(E)=
(F)=

No.	Lev.	Parts No.	Description	Q'ty						I	R
				(A)	(B)	(C)	(D)	(E)	(F)		
1	1	129A00-12110	GASKET, MANIFOLD	1							
2	1	129A01-12150	MANIFOLD ASSY,INTAKE	1							
3	2	129A01-12100	MANIFOLD, INTAKE	1							
4	2	26216-060202	STUD, M6X 20	2							
5	1	129A00-12721	SENSOR,AIR TEMP	1							1
6	1	26106-080502	BOLT, M8X 50 PLATED	3							
7	1	129A00-12810	GASKET, COLLECTOR	1							
8	1	129A01-12851	COLLECTOR ASSY	1							
9	2	129A01-12800	COLLECTOR, INTAKE	1							
10	2	129C01-13700	VALVE, REED	1							
11	2	129A00-59110	JOINT, HOSE M14	1							
12	2	129A00-59120	JOINT, HOSE 14	1							
13	2	22190-140002	WASHER, SEAL 14	2							
14	2	22857-500160	SCREW, 5X16	2							
15	2	26216-080352	STUD, M8X 35	2							
16	1	129A00-13710	SPACER, EGR VALVE	1							
17	1	129A00-13720	GASKET, EGR-V SPACER	1							
18	1	26106-080502	BOLT, M8X 50 PLATED	1							
19	1	26106-080752	BOLT, M8X 75 PLATED	1							
20	1	26216-081052	STUD, M8X105	3							
21	1	26306-080002	NUT, M8	3							
22	1	129A00-12900	THROTTLE, INTAKE	1							1
23	1	129A00-12910	GASKET, THROTTLE	1							
24	1	26106-060402	BOLT, M6X 40 PLATED	4							

Remarks

(1)When replacing this part, it is necessary to update the software of the ECU using the designated service tool. Please refer to the Service Manual for details.

Fig.6. EXHAUST MANIFOLD



(A)=3TNV86CHT-MWM2
(B)=
(C)=

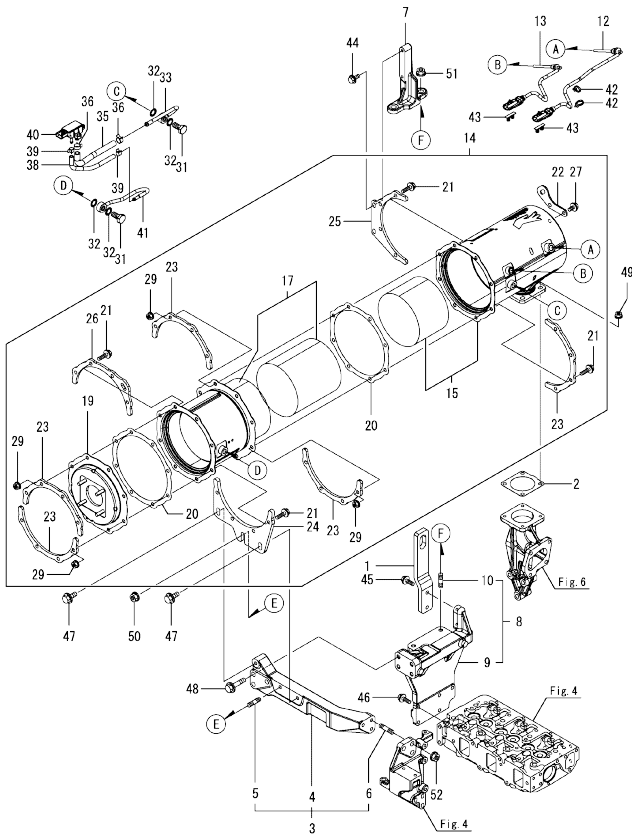
(D)=
(E)=
(F)=

No.	Lev.	Parts No.	Description	Qty						I	R
				(A)	(B)	(C)	(D)	(E)	(F)		
1	1	129A33-13101	MANIFOLD, EXHAUST	1							
2	1	129A00-13110	GASKET, MANIFOLD	1							
3	1	129A01-13601	BOLT, M10X50 10.9T	2							
4	1	129F01-13620	BOLT, M10X65 10.9T	4							
5	1	129A01-13760	SENSOR, TEMPERATURE	1							1
6	2	129A00-91200	CLIP, BAND	1							
7	1	129418-18320	STUD, M8X20	3							
8	1	129A00-13300	PIPE ASSY, PRESSURE	1							
9	2	23297-080061	CLAMP, A8X 6	2							
10	1	129A00-13350	BOLT, PIPE JOINT	1							
11	1	23414-120000	GASKET, 12X1.0	2							
12	1	26106-060122	BOLT, M6X 12 PLATED	2							
13	1	129A00-13400	COOLER, EGR	1							
14	1	129A00-13410	GASKET, EGR COOLER	2							
15	1	129F01-13600	BOLT, M10X90 10.9T	1							
16	1	129E00-13620	BOLT, M8X40 10.9	2							
17	1	129A00-13851	PIPE, EGR OUTLET	1							
18	2	129A00-13861	PIPE, EGR OUTLET	1							
19	2	129418-18320	STUD, M8X20	2							
20	1	26106-080502	BOLT, M8X 50 PLATED	2							
21	1	129A35-13320	PIPE, EXHAUST	1							
22	1	129E00-13610	BOLT, M8X50 10.9	3							
23	1	129A01-18090	GASKET, TURBINE OUT	1							
24	1	119131-18320	STUD, M8X22	4							
25	1	26306-080002	NUT, M8	8							
26	1	129A00-13752	SENSOR, EGR GAS TEMP	1							1
27	1	129A00-13800	PIPE, EGR	1							
28	1	129927-13810	GASKET, EGR PIPE	1							
29	1	26106-080252	BOLT, M8X 25 PLATED	2							
30	1	26306-080002	NUT, M8	2							
31	1	129A00-13901	VALVE, EGR	1							1
32	1	129A00-13910	GASKET, EGR-V INLET	1							
33	1	129A00-13920	GASKET, EGR-V OUTLET	1							
34	1	26306-080002	NUT, M8	2							

Remarks

(1)When replacing this part, it is necessary to update the software of the ECU using the designated service tool. Please refer to the Service Manual for details.

Fig.7. DIESEL PARTICULATE FILTER(DPF)



(A)=3TNV86CHT-MWM2
(B)=
(C)=

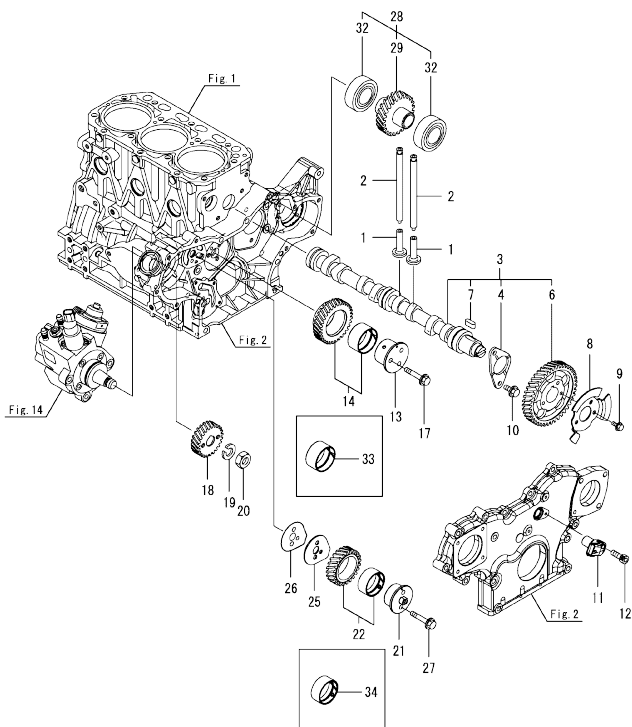
(D)=
(E)=
(F)=

No.	Lev.	Parts No.	Description	Q'ty						I	R
				(A)	(B)	(C)	(D)	(E)	(F)		
1	1	129C26-07950	LIFTER, ENGINE	1							
2	1	129930-13201	GASKET, SILENCER	1							
3	1	129A75-16830	BRACKET ASSY, DPF B	1							
4	2	129A75-16840	BRACKET,DPF B	1							
5	2	26216-100252	STUD, M10X 25	1							
6	2	26216-100302	STUD, M10X 30	3							
7	1	129A75-16850	BRACKET,DPF C	1							
8	1	129A75-16890	BRACKET ASSY, DPF	1							
9	2	129A75-16880	BRACKET,DPF	1							
10	2	26216-100252	STUD, M10X 25	2							
12	1	129C00-13940	SENSOR, EXH. TEMP.	1							1
13	1	129C00-13950	SENSOR, EXH. TEMP.	1							1
14	1	129A35-16010	DPF ASSY	1							1
15	2	129A35-16210	CASE, DOC	1							1
17	2	129A35-16400	CASE, SOOT FILTER	1							1
19	2	129A01-16550	FLANGE, OUTLET	1							
20	2	129A00-16600	GASKET, DPF	2							
21	2	129A00-16610	BOLT, M8X28 10.9T	16							
22	2	129C01-16680	LIFTER, DPF	1							
23	2	129A00-16700	STIFFENER, DPF A	5							
24	2	129A35-16700	STIFFENER, DPF	1							
25	2	129A75-16710	STIFFENER, DPF A	1							
26	2	129A00-16740	STIFFENER, DPF C	1							
27	2	26106-080142	BOLT, M8X 14 PLATED	2							
29	2	26306-080002	NUT, M8	16							
31	1	129A00-13350	BOLT, PIPE JOINT	2							
32	1	129A00-17311	GASKET, SENSOR	4							
33	1	129A00-17340	PIPE ASSY, SENSOR	1							
35	1	129978-17500	HOSE, PRES EXH	1							
36	1	129A00-17520	CLIP, HOSE	2							
38	1	129A00-17551	HOSE, PRESSURE	1							
39	1	129A00-17570	CLIP, HOSE	2							
40	1	129978-17700	SENSOR, PRESSURE	1							1
41	1	129A33-17880	PIPE ASSY, SENSOR	1							
42	1	129C00-91200	BAND	2							
43	1	129A00-91430	CLIP, CONNECTOR	2							
44	1	26106-080162	BOLT, M8X 16 PLATED	2							
45	1	26106-080202	BOLT, M8X 20 PLATED	2							
46	1	26106-080202	BOLT, M8X 20 PLATED	5							
47	1	26106-100202	BOLT, M10X 20 PLATED	2							
48	1	26106-100452	BOLT, M10X 45 PLATED	3							
49	1	26306-080002	NUT, M8	4							
50	1	26306-100002	NUT, M10	1							
51	1	26306-100002	NUT, M10	2							
52	1	26306-100002	NUT, M10	3							

Remarks

(1)When replacing this part, it is necessary to update the software of the ECU using the designated service tool. Please refer to the Service Manual for details.

Fig.8. CAMSHAFT & DRIVING GEAR



(A)=3TNV86CHT-MWM2
(B)=
(C)=

(D)=
(E)=
(F)=

No.	Lev.	Parts No.	Description	Q'ty						I	R
				(A)	(B)	(C)	(D)	(E)	(F)		
1	1	129150-14200	TAPPET	6							
2	1	129150-14400	ROD, PUSH L=178	6							
3	1	129A00-14580	CAMSHAFT ASSY	1							
4	2	129150-02450	METAL, THRUST	1							
6	2	129A00-14100	GEAR, CAMSHAFT	1							
7	2	22512-070140	KEY, 7X 14	1							
8	1	129A00-14700	PULSER, CAMSHAFT	1							
9	1	26106-060102	BOLT, M6X 10 PLATED	3							
10	1	26106-080142	BOLT, M8X 14 PLATED	2							
11	1	129A00-14710	SENSOR, ROTATION	1							
12	1	26450-060162	BOLT, M6X 16	1							
13	1	129A00-25050	SHAFT, IDLE GEAR A	1							
14	1	129A00-25110	GEAR ASSY, IDLE A	1							
17	1	26106-080452	BOLT, M8X 45 PLATED	3							
18	1	129A00-25900	GEAR, SUPPLY PUMP	1							
19	1	22217-180000	WASHER, SPRING 18	1							
20	1	26776-180002	NUT, LOCK M18	1							
21	1	129A00-25060	SHAFT, IDLE GEAR B	1							
22	1	129A00-25120	GEAR ASSY, IDLE B	1							
25	1	129A00-25200	PLATE, IDLE SHAFT B	1							
26	1	129A00-25210	GASKET, IDLE SHAFT B	1							
27	1	26106-080402	BOLT, M8X 40 PLATED	2							
28	1	129A88-26000	DRIVE ASSY, PUMP	1							
29	2	129484-26210	GEAR ASSY, PUMP	1							
32	2	24105-060064	BEARING, BALL 6006Z	2							
33	1	119802-25071	BUSH, IDLE GEAR	1							1
34	1	129A00-25080	BUSH, IDLE GEAR B	1							1

Remarks

(1)Spare parts.

OCD50-M05890 ENGINE
 Fig.9. TURBINE

OCD50-M05890 Fig.9

(A)=3TNV86CHT-MWM2
 (B)=
 (C)=

(D)=
 (E)=
 (F)=

No.	Lev.	Parts No.	Description	Q'ty						I	R
				(A)	(B)	(C)	(D)	(E)	(F)		
1	1	129A01-18011	TURBOCHARGER, RHF3	1							
2	1	129A01-18080	GASKET, TURBINE IN	1							
3	1	119131-18320	STUD, M8X22	4							
4	1	26306-080002	NUT, M8	3							

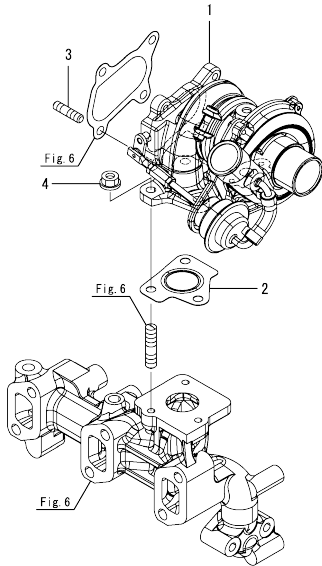
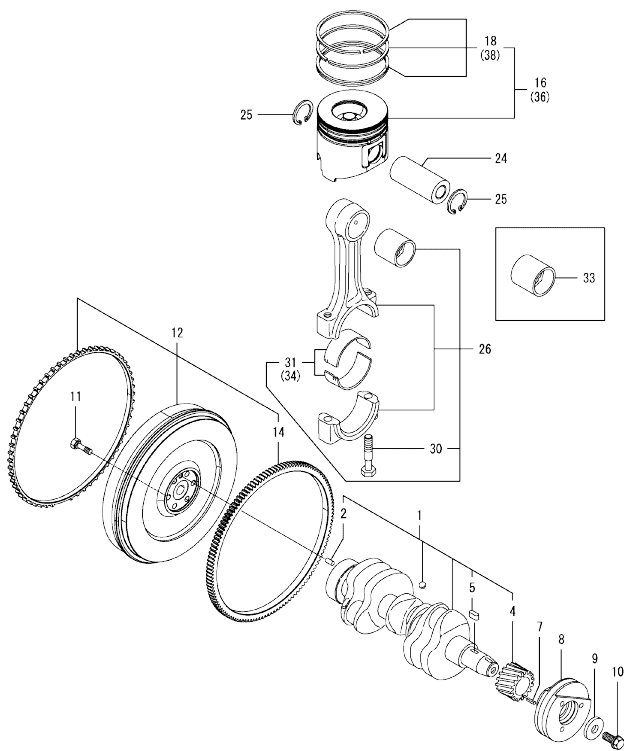


Fig.10. CRANKSHAFT & PISTON



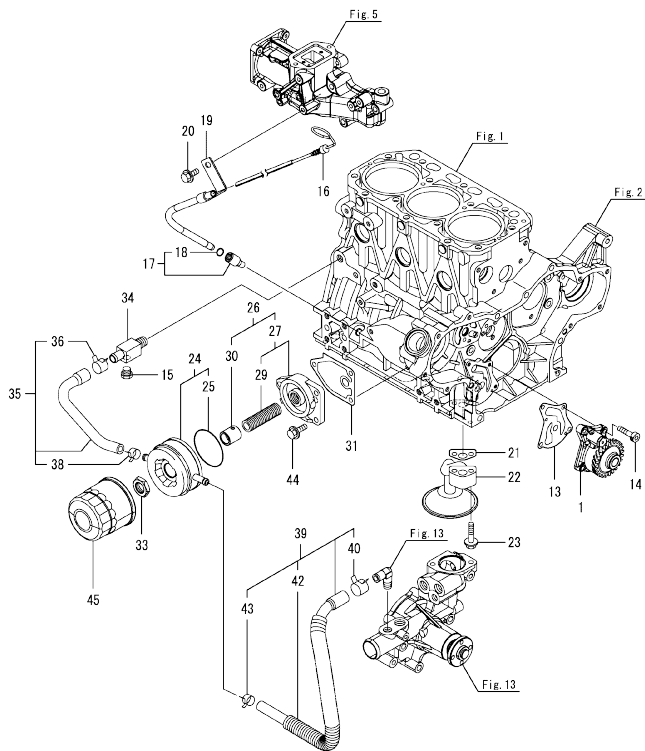
(A)=3TNV86CHT-MWM2
(B)=
(C)=

(D)=
(E)=
(F)=

No.	Lev.	Parts No.	Description	Q'ty						I	R
				(A)	(B)	(C)	(D)	(E)	(F)		
1	1	129008-21000	CRANKSHAFT ASSY	1							
2	2	129100-01580	PIN, PARALLEL 8X16	1							
4	2	119803-21200	GEAR, CRANKSHAFT	1							
5	2	22512-070140	KEY, 7X 14	1							
7	1	22351-030010	PIN, SPRING 3.0X10	1							
8	1	129005-21650	V-PULLEY, CRANKSHAFT	1							
9	1	129795-21661	WASHER, 14	1							
10	1	121850-21680	BOLT, V-PULLEY	1							
11	1	121111-21501	BOLT, FLYWHEEL	6							
12	1	129A24-21590	FLYWHEEL ASSY	1							
14	2	124550-21600	GEAR, RING Z=127	1							
16	1	129A01-22080	PISTON ASSY	3							
18	2	129A01-22500	RING SET, PISTON	3							
24	1	129202-22300	PIN, PISTON D26 L70	3							
25	1	22252-000260	RING, 26	6							
26	1	729402-23100	ROD ASSY, CONNECTING	3							
30	2	121550-23200	BOLT, CONNECTING ROD	6							
31	2	129150-23601	METAL ASSY, CRANK PIN	3							
33	1	129100-23910	METAL, PISTON PIN	3							1
34	1	129150-23611	METAL, CRANK PIN .25	3							2
36	1	129A01-22900	PISTON ASSY, 0.25 OS	3							3
38	2	129A01-22950	RING SET, PISTON .25	3							3

Remarks
(1)Spare parts.
(2)Under-sized(U.S.=0.25) parts.
(3)Over-sized(O.S.=0.25) parts.

Fig.11. LUB. OIL SYSTEM



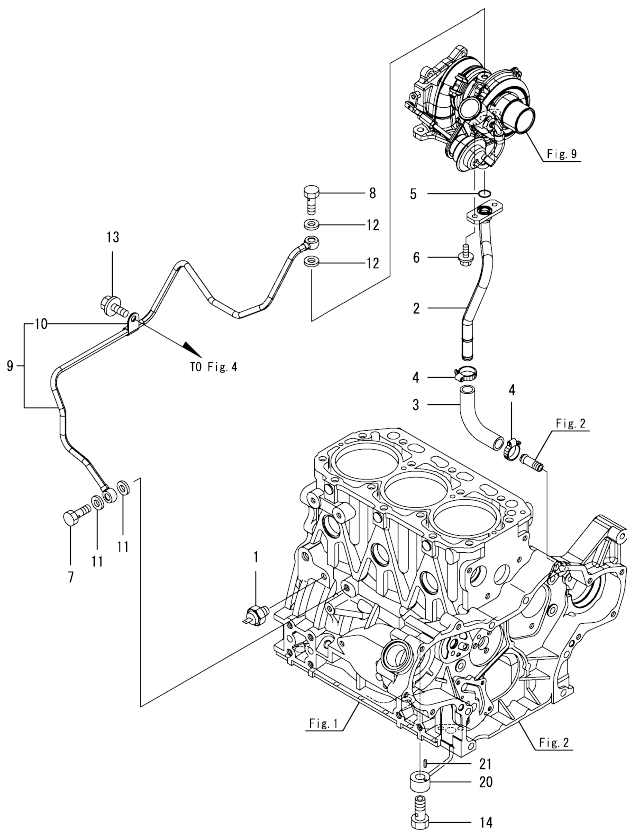
(A)=3TNV86CHT-MWM2
(B)=
(C)=

(D)=
(E)=
(F)=

No.	Lev.	Parts No.	Description	Q'ty						I	R
				(A)	(B)	(C)	(D)	(E)	(F)		
1	1	129A01-32000	PUMP ASSY, OIL	1							
13	1	129486-32020	GASKET, PUMP	1							
14	1	26450-060252	BOLT, M6X 25	4							
15	1	171056-49120	PLUG, DRAIN R1/4	1							
16	1	129601-34801	DIPSTICK, OIL	1							
17	1	119260-34810	GUIDE, DIPSTICK	1							
18	2	24316-240100	O-RING, 4DP10A	1							
19	1	129A00-34870	GUIDE, DIPSTICK	1							
20	1	26106-080162	BOLT, M8X 16 PLATED	1							
21	1	129150-35042	GASKET, INLET PIPE	1							
22	1	129100-35301	PIPE ASSY, OIL INLET	1							
23	1	26106-080352	BOLT, M8X 35 PLATED	2							
24	1	129508-33031	COOLER ASSY, OIL	1							
25	2	129508-33060	GASKET, COOLER	1							
26	1	129508-35100	BRACKET ASSY, LO FILT	1							
27	2	129006-35100	BRACKET ASSY, FILTER	1							
29	3	129417-35150	STUD, M20X67	1							
30	2	129508-35150	COLLAR, OIL-COOLER	1							
31	1	129150-35111	GASKET, BRACKET	1							
33	1	124085-35350	NUT, M20	1							
34	1	129006-44480	JOINT, R02	1							
35	1	129508-49030	HOSE ASSY, COOLER IN	1							
36	2	171008-03990	CLAMP, HOSE 18.5	1							
38	2	23080-015000	CLAMP, 15	1							
39	1	129006-49040	HOSE ASSY, COOLER OUT	1							
40	2	171008-03990	CLAMP, HOSE 18.5	1							
42	2	129642-49180	TUBE, CORRUGATED 19	1							
43	2	23080-015000	CLAMP, 15	1							
44	1	26106-080202	BOLT, M8X 20 PLATED	3							
45	1	129150-35153	FILTER ASSY, D80X80L	1							1

Remarks
(1) Spare parts.

Fig.12. LUB. OIL PIPE

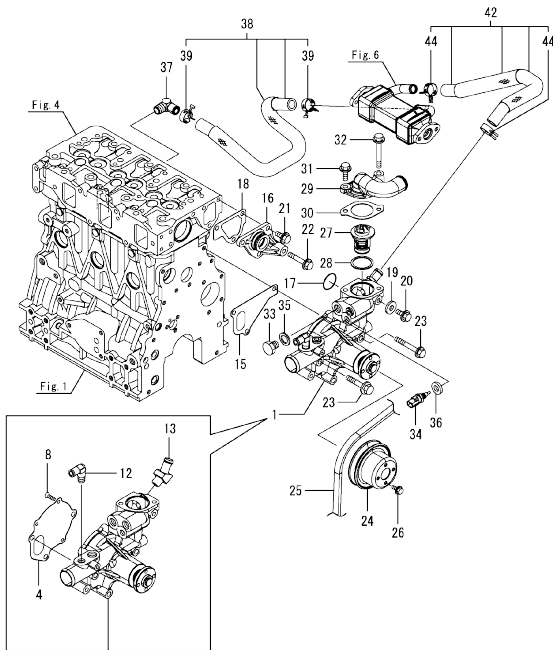


(A)=3TNV86CHT-MWM2
(B)=
(C)=

(D)=
(E)=
(F)=

No.	Lev.	Parts No.	Description	Q'ty						I	R
				(A)	(B)	(C)	(D)	(E)	(F)		
1	1	119761-39450	SWITCH, HYDRAULIC	1							
2	1	129A01-39600	PIPE, OIL RETURN	1							
3	1	129266-39620	JOINT, OIL PIPE	1							
4	1	23000-022000	CLAMP, 22	2							
5	1	24316-000160	O-RING, 4DP16.0	1							
6	1	26106-060162	BOLT, M6X 16 PLATED	2							
7	1	124160-39140	BOLT, PIPE JOINT M10	1							
8	1	121252-39150	BOLT, JOINT M10X1.5	1							
9	1	129A01-39460	PIPE ASSY, OIL	1							
10	2	124223-39900	RETAINER	1							
11	1	22190-100002	WASHER, SEAL 10	2							
12	1	23414-100000	GASKET, 10X1.0	2							
13	1	26106-080122	BOLT, M8X 12 PLATED	1							
14	1	129792-39410	VALVE ASSY, CHECK	3							
20	1	129553-39650	NOZZLE, COOLING	3							
21	1	22351-030010	PIN, SPRING 3.0X10	3							

Fig.13. COOLING WATER SYSTEM



(A)=3TNV86CHT-MWM2
(D)=
(E)=
(F)=

No.	Lev.	Parts No.	Description	Q'ty						I	R
				(A)	(B)	(C)	(D)	(E)	(F)		
1	1	129A24-42011	PUMP ASSY, CW	1							
4	2	129100-42051	GASKET, WATER PUMP	1							
8	2	129150-42290	SCREW, FLAT M6X15	3							
12	2	129103-49301	ELBOW, PT1/4	1							
13	2	129C26-49300	ELBOW, R3/8	1							
15	1	129486-42021	GASKET, WATER PUMP	1							
16	1	129004-42040	JOINT, WATER PIPE	1							
17	1	129486-42140	O-RING, G30	1							
18	1	124395-49840	GASKET, THERMOSTAT	1							
19	1	23414-080000	GASKET, 8X1.0	1							
20	1	26106-080122	BOLT, M8X 12 PLATED	1							
21	1	26106-080162	BOLT, M8X 16 PLATED	3							
22	1	26106-080452	BOLT, M8X 45 PLATED	1							
23	1	26106-080602	BOLT, M8X 60 PLATED	3							
24	1	129155-42350	V-PULLEY, PUMP	1							
25	1	25152-003900	V-BELT, A39	1							
26	1	26106-060122	BOLT, M6X 12 PLATED	4							
27	1	129457-49801	THERMOSTAT, 82C	1							
28	1	129150-49811	GASKET, THERMOSTAT	1							
29	1	129A33-49530	COVER, THERMOSTAT	1							
30	1	129795-49551	GASKET, COVER	1							
31	1	26106-080222	BOLT, M8X 22 PLATED	1							
32	1	26106-080502	BOLT, M8X 50 PLATED	1							
33	1	121450-42450	PLUG, M16	1							
34	1	129927-44900	SENSOR, TEMPERATURE	1							1
35	1	124465-44950	GASKET, 16	1							
36	1	22190-120002	WASHER, SEAL 12	1							
37	1	129051-49310	ELBOW, PT3/8	1							
38	1	129A23-49610	PIPE ASSY, WATER	1							
39	2	129960-03990	CLAMP, HOSE 19.8	2							
42	1	129A23-49640	HOSE, COOLER OUTLET	1							
44	2	129960-03990	CLAMP, HOSE 19.8	2							

Remarks

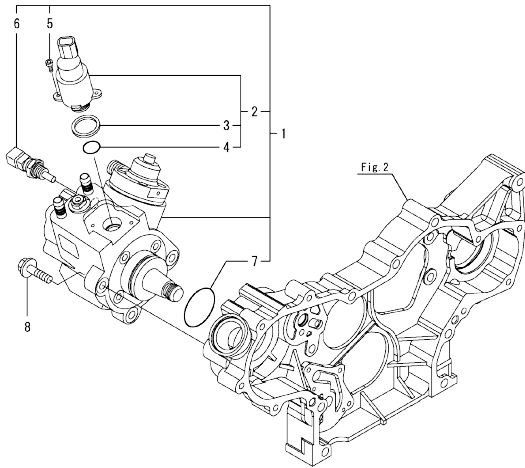
(1)When replacing this part, it is necessary to update the software of the ECU using the designated service tool. Please refer to the Service Manual for details.

Fig.14. FUEL SUPPLY PUMP

(A)=3TNV86CHT-MWM2
(B)=
(C)=

(D)=
(E)=
(F)=

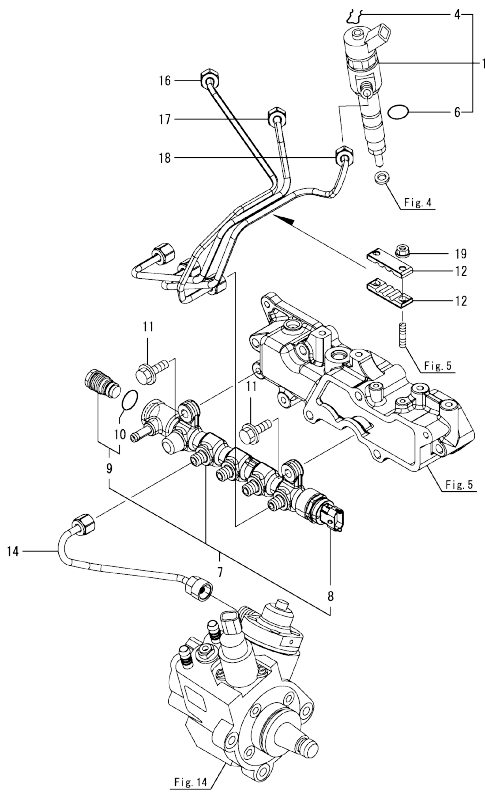
No.	Lev.	Parts No.	Description	Q'ty						I	R
				(A)	(B)	(C)	(D)	(E)	(F)		
1	1	129C28-51000	PUMP ASSY, FUEL	1							1
2	2	129A00-51100	VALVE ASSY	1							1
3	3	129A00-51110	RING, SEAL	1							
4	3	129A00-51120	O-RING, MPROP	1							
5	2	129A00-51130	BOLT, MPROP	2							
6	2	129A00-51200	SENSOR, TEMPERATURE	1							1
7	2	129A00-51900	O-RING, FUEL PUMP	1							
8	1	26106-080302	BOLT, M8X 30 PLATED	3							



Remarks

(1)When replacing this part, it is necessary to update the software of the ECU using the designated service tool. Please refer to the Service Manual for details.

Fig.15. FUEL INJECTION VALVE



(A)=3TNV86CHT-MWM2
(B)=
(C)=

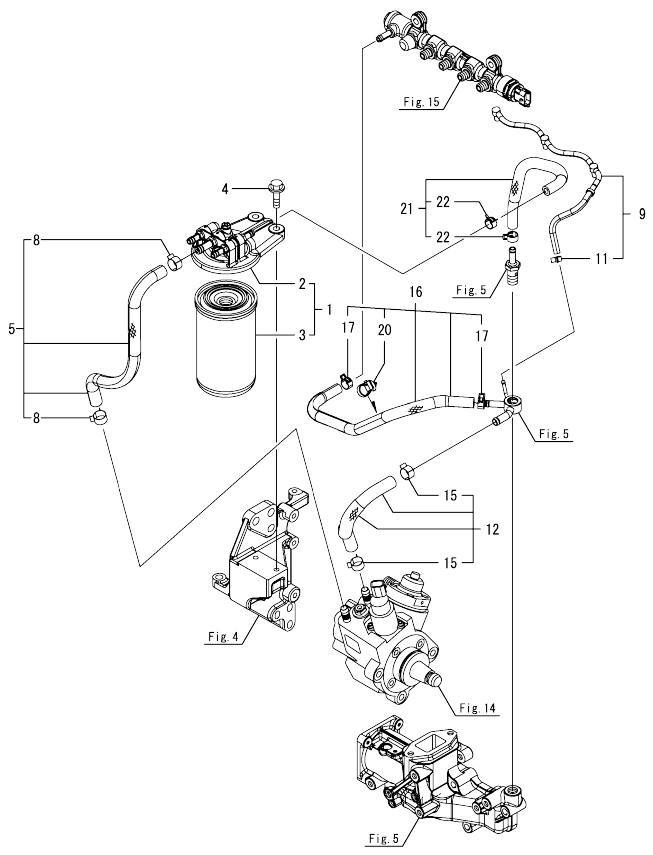
(D)=
(E)=
(F)=

No.	Lev.	Parts No.	Description	Q'ty						I	R
				(A)	(B)	(C)	(D)	(E)	(F)		
1	1	129A01-53100	INJECTOR, CR	3							1
4	2	129A00-53200	RING, RETAINING	3							
6	2	129C28-53300	O-RING	3							
7	1	129A00-57000	COMMON RAIL ASSY	1							1
8	2	129A00-57100	SENSOR, PRESSURE	1							1
9	2	129A00-57200	VALVE ASSY, PLV4	1							1
10	3	129A00-57210	O-RING, PLV4	1							
11	1	26106-080252	BOLT, M8X 25 PLATED	2							
12	1	123372-59100	RETAINER, PIPE	2							
14	1	129A00-59700	PIPE ASSY, RAIL IN	1							
16	1	129A00-59810	PIPE ASSY, INJECTION	1							
17	1	129A00-59820	PIPE ASSY, INJECTION	1							
18	1	129A00-59830	PIPE ASSY, INJECTION	1							
19	1	26366-060002	NUT, M6	2							

Remarks

(1)When replacing this part, it is necessary to update the software of the ECU using the designated service tool. Please refer to the Service Manual for details.

Fig.16. FUEL PIPE

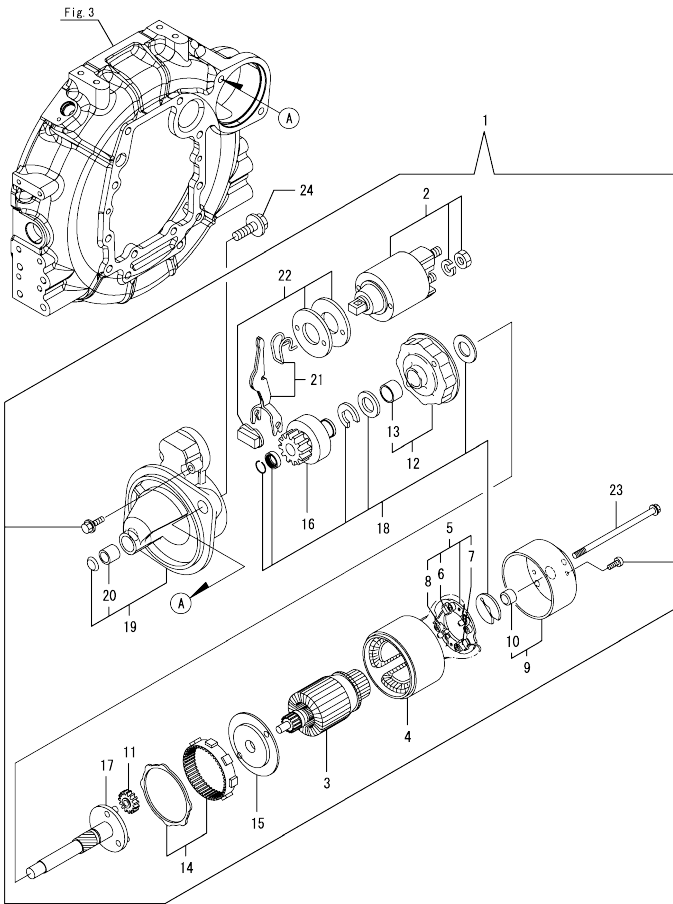


(A)=3TNV86CHT-MWM2
(B)=
(C)=

(D)=
(E)=
(F)=

No.	Lev.	Parts No.	Description	Q'ty						I	R
				(A)	(B)	(C)	(D)	(E)	(F)		
1	1	129A00-55600	FILTER ASSY, FUEL	1							
2	2	129A00-55610	BRACKET ASSY, FILTER	1							
3	2	129A00-55800	FILTER, FUEL	1							
4	1	26106-080302	BOLT, M8X 30 PLATED	2							
5	1	129A00-59010	PIPE ASSY, FUEL	1							
8	2	23080-015000	CLAMP, 15	2							
9	1	129A23-59500	PIPE ASSY, RETURN	1							
11	2	23080-007000	CLAMP, 7	1							
12	1	129A00-59020	PIPE ASSY, RETURN	1							
15	2	23080-015000	CLAMP, 15	2							
16	1	129A00-59030	PIPE ASSY, RETURN	1							
17	2	114270-59010	CLAMP, HOSE 12	2							
20	2	129A00-91200	CLIP, BAND	1							
21	1	129A00-59040	PIPE ASSY, RETURN	1							
22	2	114270-59010	CLAMP, HOSE 12	2							

Fig.17. STARTER MOTOR

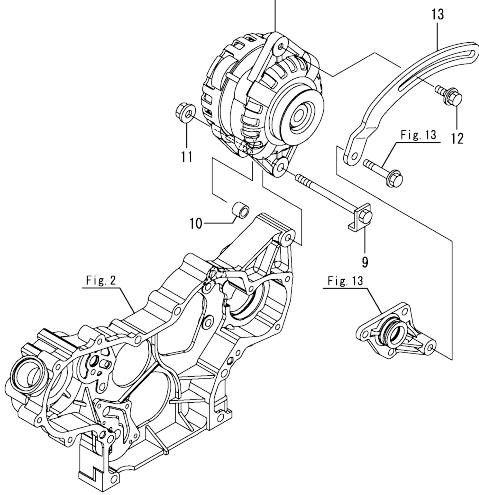
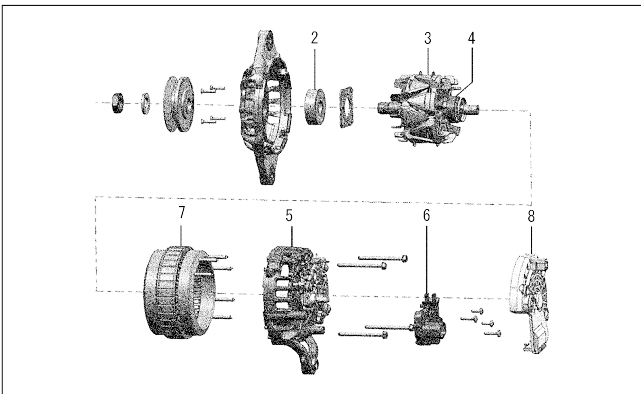


(A)=3TNV86CHT-MWM2
(B)=
(C)=

(D)=
(E)=
(F)=

No.	Lev.	Parts No.	Description	Q'ty						I	R
				(A)	(B)	(C)	(D)	(E)	(F)		
1	1	129242-77010	STARTER, 1.7	1							
2	2	129698-77020	SWITCH ASSY, MAGNET	1							
3	2	129242-77100	ARMATURE ASSY	1							
4	2	129242-77110	YOKE ASSY	1							
5	2	129242-77120	HOLDER ASSY, BRUSH	1							
6	3	129242-77130	BRUSH, -	2							
7	3	129242-77140	BRUSH SET	1							
8	3	129242-77150	SPRING, BRUSH	4							
9	2	129242-77160	COVER ASSY, STARTER	1							
10	3	129242-77170	METAL, REAR COVER	1							
11	2	118400-77170	GEAR, PLANETARY	3							
12	2	129242-77180	BRACKET, CENTER P	1							
13	3	129698-77190	BRACKET, CENTER	1							
14	2	129698-77200	GEAR, INTERNAL	1							
15	2	129242-77210	BRACKET, CENTER A	1							
16	2	129698-77220	PINION ASSY	1							
17	2	129698-77230	SHAFT, PINION	1							
18	2	129698-77250	WASHER SET	1							
19	2	129242-77260	CASE ASSY, GEAR	1							
20	3	X2114535200	METAL, STARTER	1							
21	2	129242-77270	LEVER SET, SHIFT	1							
22	2	129242-77280	COVER KIT, DUST	1							
23	2	124195-77770	BOLT, THROUGH	2							
24	1	26106-120252	BOLT, M12X 25 PLATED	2							

Fig.18. GENERATOR

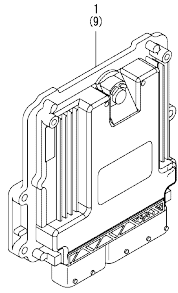


(A)=3TNV86CHT-MWM2
(B)=
(C)=

(D)=
(E)=
(F)=

No.	Lev.	Parts No.	Description	Q'ty					
				(A)	(B)	(C)	(D)	(E)	(F)
1	1	129908-77200	ALTERNATOR, 12V	1					
2	2	129908-77710	BEARING, BALL FR	1					
3	2	129908-77720	ROTOR	1					
4	2	129908-77730	BEARING, BALL RR	1					
5	2	129908-77740	RECTIFIER	1					
6	2	129908-77750	REGULATOR	1					
7	2	129908-77760	STATOR	1					
8	2	129908-77770	PROTECTOR	1					
9	1	129908-77220	BOLT, STOPPER M10	1					
10	1	129A20-77350	PIECE, DISTANCE	1					
11	1	26306-100002	NUT, M10	1					
12	1	119810-77340	BOLT, ADJUSTER L=30	1					
13	1	129688-77340	ADJUSTER, BELT	1					

Fig.19. ELECTRONIC CONTROL UNIT(ECU)



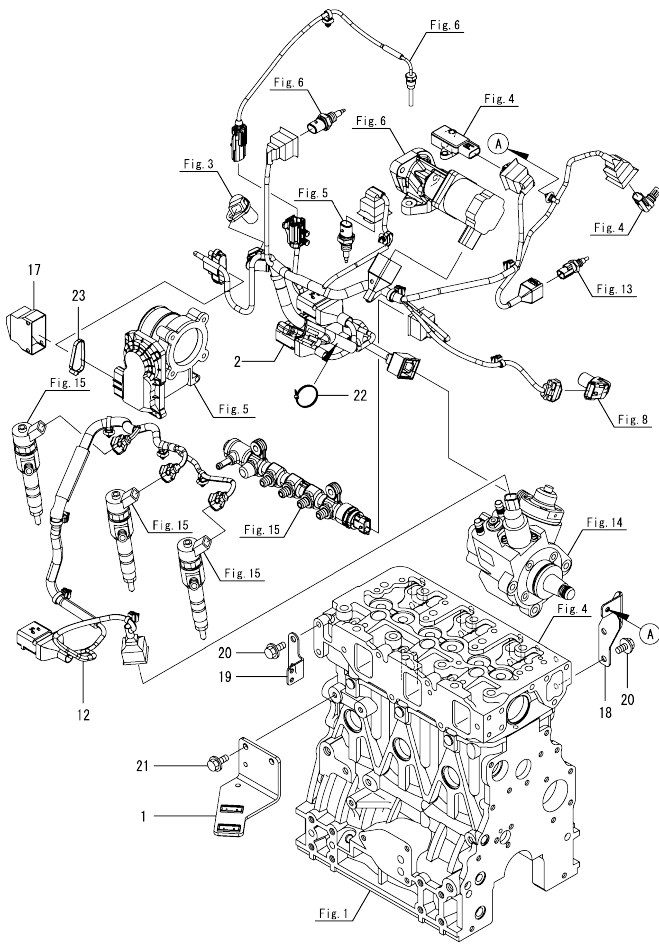
No.	Lev.	Parts No.	Description	Q'ty						I	R
				(A)	(B)	(C)	(D)	(E)	(F)		
1	1	129A35-75020	ECU ASSY,3-86CHT-MWM	1							1
9	1	129A00-75910	ECU ASSY,SERVICE YMR	1							2

(A)=3TNV86CHT-MWM2
(B)=
(C)=

(D)=
(E)=
(F)=

Remarks
 (1)Eco ECU
 This part cannot be ordered.
 Replace the part using a Service ECU with the proper engine information installed.
 (2)Service ECU
 When replacing this part, it is necessary to update the software of the ECU using the designated service tool.
 Please refer to the Service Manual for details.

Fig.20. ELECTRIC PARTS

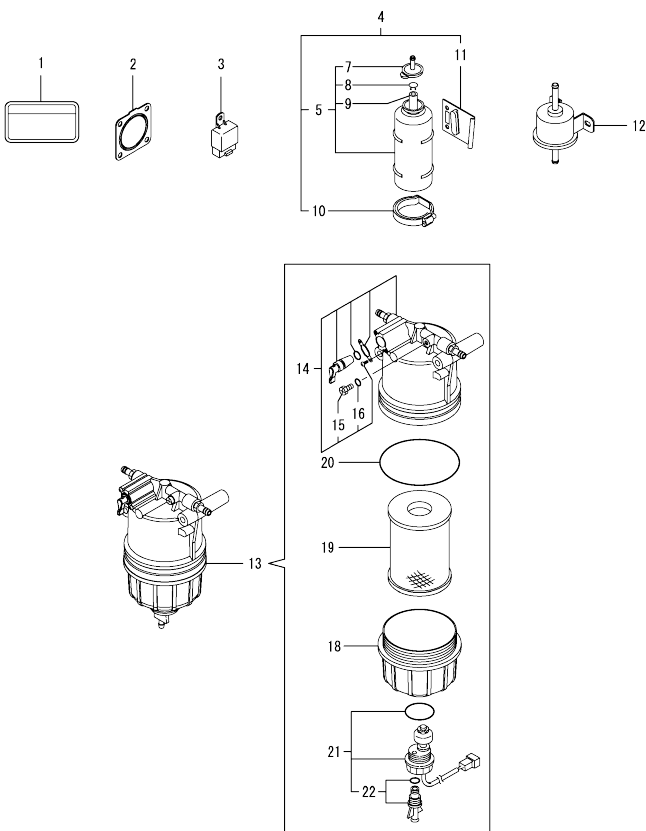


(A)=3TNV86CHT-MWM2
(B)=
(C)=

(D)=
(E)=
(F)=

No.	Lev.	Parts No.	Description	Q'ty						I	R
				(A)	(B)	(C)	(D)	(E)	(F)		
1	1	129A24-77940	BRACKET, CONNECTOR	1							
2	1	129A01-91222	HARNESS, B T4	1							
12	1	129A00-91231	HARNESS, C T4	1							
17	1	129A00-91451	BOOT, CAP TYPE	1							
18	1	129A01-91510	BRACKET, HARNESS	1							
19	1	129A00-91600	BRACKET, HARNESS	1							
20	1	26106-080122	BOLT, M8X 12 PLATED	4							
21	1	26106-080142	BOLT, M8X 14 PLATED	2							
22	1	29621-100000	BAND, TR100	1							
23	1	29621-200000	BAND	1							

Fig.21. ACCESSORY



(A)=3TNV86CHT-MWM2
(B)=
(C)=

(D)=
(E)=
(F)=

No.	Lev.	Parts No.	Description	Q'ty						I	R
				(A)	(B)	(C)	(D)	(E)	(F)		
1	1	114110-07761	LABEL, FUEL CAUTION	1							
2	1	129930-13201	GASKET, SILENCER	1							
3	1	172B02-17150	RELAY, CA TYPE C	1							
4	1	129619-44510	TANK ASSY, SUB	1							
5	2	124450-44510	TANK ASSY, SUB	1							
7	3	124450-44530	CAP, SUB TANK	1							
8	3	124450-44560	CLAMP, PIPE	1							
9	3	23061-070230	PIPE, 7X 230	1							
10	2	124450-44550	BAND, SUB TANK	1							
11	2	121256-44600	BRACKET, SUB TANK	1							
12	1	129612-52100	PUMP, FUEL FEED	1							
13	1	129C01-55701	FILTER ASSY, FO PRE	1							
13-1	1	129E00-55701	FILTER ASSY, FO PRE	1							N
		(A=E06882)									
14	2	129A00-55710	BODY ASSY	1							
14-1	2	129E00-55710	BODY ASSY	1							N
		(A=E06882)									
15	3	129A00-55751	PLUG, AIR VENT	1							
16	3	129A00-55760	O-RING	1							
18	2	129C01-55720	CUP, FUEL FILTER	1							
19	2	129A00-55730	ELEMENT, FUEL FILTER	1							
20	2	129A00-55740	O-RING	1							
21	2	129917-55870	SENSOR ASSY, LEVEL	1							
22	3	129242-55740	PLUG, DRAIN	1							

Parts No. Index

Parts No.	Fig. No.	Ref. No.	Parts No.	Fig. No.	Ref. No.	Parts No.	Fig. No.	Ref. No.	Parts No.	Fig. No.	Ref. No.
114110-07761	21	1	124450-44550	21	10	129150-35042	11	21	129698-77230	17	17
114270-59010	16	17	124450-44560	21	8	129150-35111	11	31	129698-77250	17	18
		22	124460-11340	4	26	129150-35153	11	45	129792-39410	12	14
118400-77170	17	11	124465-44950	13	35	129150-42290	13	8	129795-01950	2	4
119131-18320	6	24	124550-21600	10	14	129150-49811	13	28	129795-02412	1	9
	9	3	129001-01250	1	4	129155-42350	13	24	129795-11120	4	23
119260-34810	11	17	129001-02931	1	29	129202-22300	10	24	129795-11180	4	25
119609-32040	2	5	129001-11340	4	71	129242-55740	21	22	129795-21661	10	9
119620-01750	3	3	129004-03010	4	40	129242-77010	17	1	129795-49551	13	30
119624-32040	2	6	129004-11241	4	1	129242-77100	17	3	129900-07900	4	63
119640-01640	3	8	129004-11251	4	2	129242-77110	17	4	129908-77200	18	1
119640-61400	4	55	129004-11650	4	8	129242-77120	17	5	129908-77220	18	9
119761-39450	12	1	129004-42040	13	16	129242-77130	17	6	129908-77710	18	2
119802-11260	4	4	129005-11100	4	22	129242-77140	17	7	129908-77720	18	3
119802-11270	4	5	129005-21650	10	8	129242-77150	17	8	129908-77730	18	4
119802-11280	4	6	129006-35100	11	27	129242-77160	17	9	129908-77740	18	5
119802-25071	8	33	129006-44480	11	34	129242-77170	17	10	129908-77750	18	6
119803-21200	10	4	129006-49040	11	39	129242-77180	17	12	129908-77760	18	7
119803-77830	4	85	129008-21000	10	1	129242-77210	17	15	129908-77770	18	8
119810-77340	18	12	129008-77800	4	83	129242-77260	17	19	129917-55870	21	21
119934-01800	2	20	129009-11340	4	49	129242-77270	17	21	129927-13810	6	28
120130-11860	4	86	129051-49310	13	37	129242-77280	17	22	129927-44900	13	34
120270-54410	4	32	129100-01580	2	2	129266-39620	12	3	129930-13201	7	2
121023-26071	2	10		3	1	129410-03990	4	76		21	2
121111-21501	10	11		15		129417-35150	11	29	129960-03990	13	39
121252-39150	12	8		10	2	129418-18320	6	7		44	
121256-44600	21	11	129100-01730	3	6			19	129978-11871	4	30
121450-42450	13	33	129100-01760	3	7	129457-49801	13	27	129978-12700	4	50
121550-23200	10	30	129100-11130	4	24	129484-26210	8	29	129978-17500	7	35
121850-21680	10	10	129100-23910	10	33	129486-01670	3	19	129978-17700	7	40
123372-59100	15	12	129100-35301	11	22	129486-32020	11	13	129A00-11310	4	47
123907-03100	4	42	129100-42051	13	4	129486-42021	13	15	129A00-11330	4	48
123907-03110	4	43	129103-49301	13	12	129486-42140	13	17	129A00-11340	4	27
123907-03120	4	44	129122-44480	2	7	129508-33031	11	24	129A00-11900	4	31
123907-03140	4	45	129150-01200	1	27	129508-33060	11	25	129A00-12110	5	1
124060-01050	1	11	129150-02020	1	6	129508-35100	11	26	129A00-12711	4	79
124085-35350	11	33	129150-02450	8	4	129508-35150	11	30	129A00-12721	5	5
124160-01751	2	3	129150-02871	1	32	129508-49030	11	35	129A00-12780	4	51
	4	37	129150-02931	1	24	129553-39650	12	20	129A00-12790	4	80
124160-01910	1	12	129150-02941	1	35	129601-34801	11	16	129A00-12810	5	7
		13	129150-03070	4	41	129612-52100	21	12	129A00-12900	5	22
124160-11360	4	38	129150-11230	4	9	129619-44510	21	4	129A00-12910	5	23
124160-39140	12	7	129150-11280	4	7	129642-49180	11	42	129A00-13110	6	2
124195-77770	17	23	129150-11370	4	12	129648-01600	3	16	129A00-13300	6	8
124223-39900	12	10	129150-11750	4	11	129648-01780	3	18	129A00-13350	6	10
124240-01871	2	13	129150-11810	4	87	129688-77340	18	13		7	31
		21	129150-14200	8	1	129698-77020	17	2	129A00-13360	4	52
124395-49840	13	18	129150-14400	8	2	129698-77190	17	13	129A00-13380	4	54
124450-44510	21	5	129150-23601	10	31	129698-77200	17	14	129A00-13400	6	13
124450-44530	21	7	129150-23611	10	34	129698-77220	17	16	129A00-13410	6	14

Parts No. Index

Parts No.	Fig. No.	Ref. No.
129A00-13710	5	16
129A00-13720	5	17
129A00-13752	6	26
129A00-13800	6	27
129A00-13851	6	17
129A00-13861	6	18
129A00-13901	6	31
129A00-13910	6	32
129A00-13920	6	33
129A00-14100	8	6
129A00-14580	8	3
129A00-14700	8	8
129A00-14710	8	11
129A00-16600	7	20
129A00-16610	7	21
129A00-16700	7	23
129A00-16740	7	26
129A00-17311	7	32
129A00-17340	7	33
129A00-17520	7	36
129A00-17551	7	38
129A00-17570	7	39
129A00-21710	3	21
129A00-25050	8	13
129A00-25060	8	21
129A00-25080	8	34
129A00-25110	8	14
129A00-25120	8	22
129A00-25200	8	25
129A00-25210	8	26
129A00-25900	8	18
129A00-34870	11	19
129A00-51100	14	2
129A00-51110	14	3
129A00-51120	14	4
129A00-51130	14	5
129A00-51200	14	6
129A00-51900	14	7
129A00-53200	15	4
129A00-55600	16	1
129A00-55610	16	2
129A00-55710	21	14
129A00-55730	21	19
129A00-55740	21	20
129A00-55751	21	15
129A00-55760	21	16
129A00-55800	16	3
129A00-57000	15	7
129A00-57100	15	8
129A00-57200	15	9

Parts No.	Fig. No.	Ref. No.
129A00-57210	15	10
129A00-59010	16	5
129A00-59020	16	12
129A00-59030	16	16
129A00-59040	16	21
129A00-59110	5	11
129A00-59120	5	12
129A00-59700	15	14
129A00-59810	15	16
129A00-59820	15	17
129A00-59830	15	18
129A00-75910	19	9
129A00-77820	4	84
129A00-91200	4	77
	6	6
	16	20
129A00-91231	20	12
129A00-91430	7	43
129A00-91451	20	17
129A00-91600	20	19
129A01-01331	1	28
129A01-01560	1	1
129A01-11360	4	39
129A01-11700	4	13
129A01-12060	4	78
129A01-12100	5	3
129A01-12150	5	2
129A01-12800	5	9
129A01-12851	5	8
129A01-13601	6	3
129A01-13760	6	5
129A01-16550	7	19
129A01-18011	9	1
129A01-18080	9	2
129A01-18090	6	23
129A01-22080	10	16
129A01-22500	10	18
129A01-22900	10	36
129A01-22950	10	38
129A01-32000	11	1
129A01-39460	12	9
129A01-39600	12	2
129A01-53100	15	1
129A01-91222	20	2
129A01-91510	20	18
129A20-77350	18	10
129A23-49610	13	38
129A23-49640	13	42
129A23-59500	16	9
129A24-21590	10	12

Parts No.	Fig. No.	Ref. No.
129A24-42011	13	1
129A24-77940	20	1
129A32-01510	2	1
129A33-13101	6	1
129A33-17880	7	41
129A33-49530	13	29
129A35-01600	3	2
129A35-03020	4	70
129A35-03040	4	69
129A35-03240	4	72
129A35-13320	6	21
129A35-16010	7	14
129A35-16210	7	15
129A35-16400	7	17
129A35-16700	7	24
129A35-75020	19	1
129A75-07930	4	64
129A75-16710	7	25
129A75-16830	7	3
129A75-16840	7	4
129A75-16850	7	7
129A75-16880	7	9
129A75-16890	7	8
129A88-26000	8	28
129C00-01550	2	18
129C00-13940	7	12
129C00-13950	7	13
129C00-91200	7	42
129C01-13700	5	10
129C01-16680	7	22
129C01-55701	21	13
129C01-55720	21	18
129C26-01890	2	14
129C26-07950	7	1
129C26-49300	13	13
129C28-51000	14	1
129C28-53300	15	6
129E00-13610	6	22
129E00-13620	6	16
129E00-55701	21	13 -1
129E00-55710	21	14 -1
129F01-13600	6	15
129F01-13620	6	4
171008-03990	11	36
		40
171051-01921	1	5
171056-49120	11	15
172B02-17150	21	3
22190-080002	2	15
		22

Parts No.	Fig. No.	Ref. No.
22190-100002	12	11
22190-120002	13	36
22190-140002	5	13
22190-220002	3	10
22217-180000	8	19
22252-000260	10	25
22351-030010	10	7
	12	21
22351-060012	4	33
22512-070140	8	7
	10	5
22857-500100	4	57
		58
		59
22857-500160	5	14
23000-022000	12	4
23000-054000	4	81
23061-070230	21	9
23080-007000	16	11
23080-015000	11	38
		43
	16	8
		15
23297-080061	6	9
23414-080000	13	19
23414-100000	12	12
23414-120000	6	11
24105-060064	8	32
24311-000120	4	61
24311-000320	2	8
	4	62
24316-000160	12	5
24316-240100	11	18
24321-000850	2	11
25152-003900	13	25
26106-060102	8	9
26106-060122	6	12
	13	26
26106-060162	4	82
	12	6
26106-060402	5	24
26106-080122	12	13
	13	20
	20	20
26106-080142	2	16
	7	27
	8	10
	20	21
26106-080162	2	9
		23

Parts No. Index

Parts No.	Fig. No.	Ref. No.
26106-080162	3	11
	4	65
	7	44
	11	20
	13	21
26106-080202	7	45
		46
	11	44
26106-080222	13	31
26106-080252	3	12
	4	34
		66
	6	29
	15	11
26106-080302	4	67
	14	8
	16	4
26106-080352	2	17
		24
	3	20
	4	35
	11	23
26106-080402	2	25
	8	27
26106-080452	3	13
	8	17
	13	22
26106-080502	3	14
	4	36
	5	6
		18
	6	20
	13	32
26106-080602	2	26
	13	23
26106-080752	5	19
26106-080852	2	27
26106-100202	2	12
	7	47
26106-100452	7	48
26106-120252	17	24
26206-100252	3	4
26206-100302	3	5
26216-060202	5	4
26216-080352	5	15
26216-081052	5	20
26216-100252	7	5
		10
26216-100302	7	6
26306-080002	5	21

Parts No.	Fig. No.	Ref. No.
26306-080002	6	25
		30
		34
	7	29
		49
	9	4
26306-100002	4	68
	7	50
		51
		52
	18	11
26366-060002	15	19
26450-060162	3	22
	4	60
	8	12
26450-060252	11	14
26776-180002	8	20
27241-120000	1	14
27241-300000	1	10
27241-400000	4	21
27310-080001	4	28
29621-100000	20	22
29621-200000	20	23
729402-23100	10	26
X2114535200	17	20

Parts No.	Fig. No.	Ref. No.
-----------	----------	----------

Parts No.	Fig. No.	Ref. No.
-----------	----------	----------