

0CD50-M06761EN

# P R E F A C E

This parts catalog is the 2nd edition of 4TN86CHT-MJLW5, 4TN86CHT-MJLW6 & 4TN86CHT-MJLW for Liebherr .

Published : June, 2021

## Contents

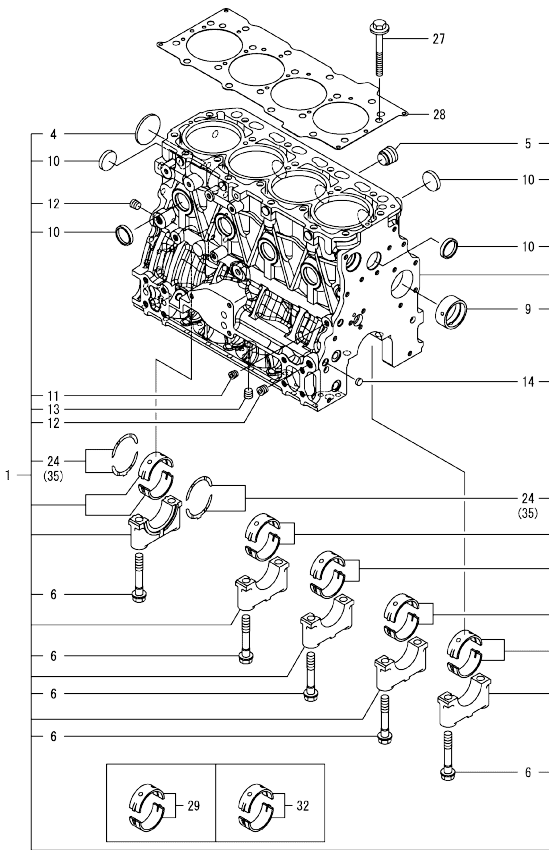
0CD50-M06761

Fig. No.	Fig. Name	Fig. No.	Fig. Name
ENGINE			
1.	CYLINDER BLOCK		
2.	GEAR HOUSING		
3.	FLYWHEEL HOUSING & OIL SUMP		
4.	CYLINDER HEAD & BONNET		
5.	SUCTION MANIFOLD		
6.	EXHAUST MANIFOLD		
7.	DIESEL PARTICULATE FILTER(DPF)		
8.	CAMSHAFT & DRIVING GEAR		
9.	TURBINE		
10.	CRANKSHAFT & PISTON		
11.	LUB. OIL SYSTEM		
12.	LUB. OIL PIPING		
13.	COOLING WATER SYSTEM		
14.	FUEL SUPPLY PUMP		
15.	FUEL INJECTION VALVE		
16.	FUEL PIPE		
17.	STARTER MOTOR		
18.	GENERATOR		
19.	ELECTRONIC CONTROL UNIT(ECU)		
20.	ELECTRIC PARTS		
21.	ACCESSORY		
22.	GASKET SET		

Fig.1. CYLINDER BLOCK

(A)=4TN86CHT-MJLW5  
 (B)=4TN86CHT-MJLW6  
 (C)=4TN86CHT-MJLW

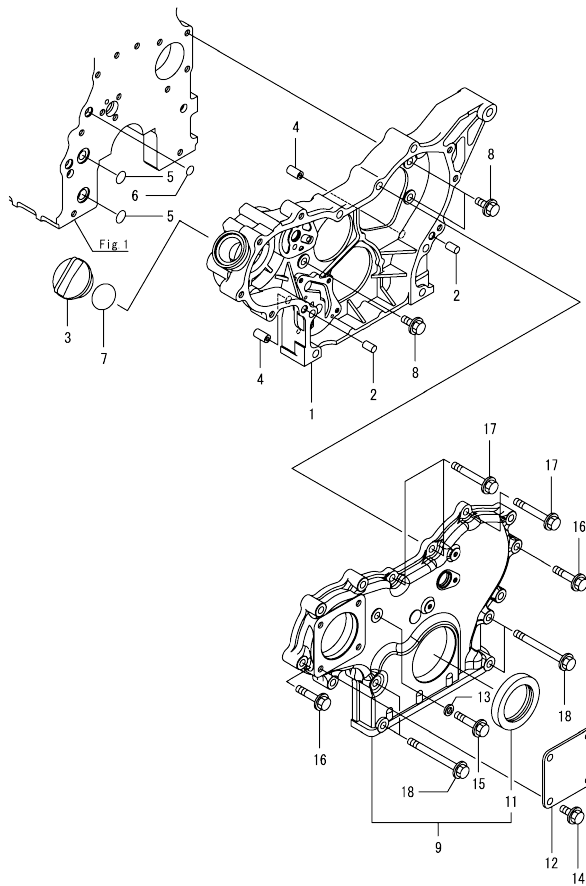
(D)=  
 (E)=  
 (F)=



No.	Lev.	Parts No.	Description	Q'ty						I	R
				(A)	(B)	(C)	(D)	(E)	(F)		
1	1	129C01-01560	BLOCK ASSY, CYLINDER	1	1	1					
4	2	129001-01250	PLUG, 50	1	1	1					
5	2	171051-01921	PLUG, NPTF1	1	1	1					
6	2	129150-02020	BOLT, METAL CAP	10	10	10					
9	2	129795-02412	BUSH, CAMSHAFT	1	1	1					
10	2	27241-300000	PLUG(30)	8	8	8					
11	2	124060-01050	PLUG, PT1/8	1	1	1					
12	2	124160-01910	PLUG, PT1/4	2	2	2					
13	2	124160-01910	PLUG, PT1/4	1	1	1					
14	2	27241-120000	PLUG, 12	1	1	1					
24	2	129150-02931	METAL ASSY, THRUST	2	2	2					
27	1	129150-01200	BOLT, CYLINDER HEAD	18	18	18					
28	1	129C05-01330	GASKET ASSY, HEAD	1	1	1					
29	1	129C05-02810	BEARING ASSY, MAIN	5	5	5					1
32	1	129C05-02600	BEARING ASSY, MAIN	5	5	5					2
35	1	129150-02941	METAL ASSY, 0.25 OS	1	1	1					3

Remarks  
 (1)Spare parts.  
 (2)Under-sized(U.S.=0.25) parts.  
 (3)Over-sized(O.S.=0.25) parts.

Fig.2. GEAR HOUSING



(A)=4TN86CHT-MJLW5  
(B)=4TN86CHT-MJLW6  
(C)=4TN86CHT-MJLW

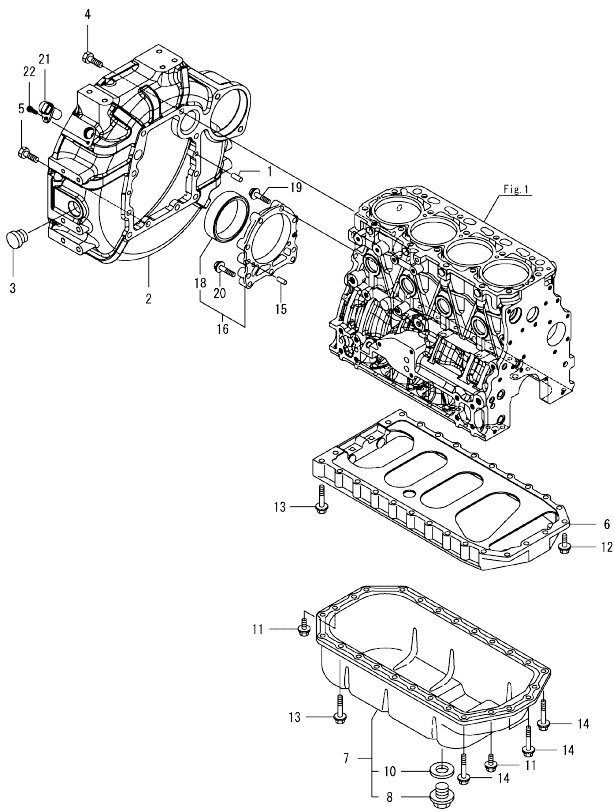
(D)=  
(E)=  
(F)=

No.	Lev.	Parts No.	Description	Q'ty						I	R
				(A)	(B)	(C)	(D)	(E)	(F)		
1	1	129A23-01500	CASE, GEAR	1	1	1					
2	1	129100-01580	PIN, PARALLEL 8X16	2	2	2					
3	1	124160-01751	CAP, FILLER	1	1	1					
4	1	129795-01950	PIPE, KNOCK L=18	2	2	2					
5	1	119609-32040	O-RING, P16	2	2	2					
6	1	119624-32040	O-RING, P12.0	1	1	1					
7	1	24311-000320	O-RING, 1AP32.0	1	1	1					
8	1	26106-080162	BOLT, M8X 16 PLATED	3	3	3					
9	1	129A00-01550	COVER ASSY, CASE	1	1	1					
11	2	119934-01800	SEAL, OIL	1	1	1					
12	1	124240-01871	COVER, HYDRAULIC PUMP	1	1	1					
13	1	22190-080002	WASHER, SEAL 8	1	1	1					
14	1	26106-080162	BOLT, M8X 16 PLATED	4	4	4					
15	1	26106-080352	BOLT, M8X 35 PLATED	1	1	1					
16	1	26106-080402	BOLT, M8X 40 PLATED	7	7	7					
17	1	26106-080602	BOLT, M8X 60 PLATED	3	3	3					
18	1	26106-080852	BOLT, M8X 85 PLATED	4	4	4					

Fig.3. FLYWHEEL HOUSING & OIL SUMP

(A)=4TN86CHT-MJLW5  
 (B)=4TN86CHT-MJLW6  
 (C)=4TN86CHT-MJLW

(D)=  
 (E)=  
 (F)=



No.	Lev.	Parts No.	Description	Q'ty						I	R
				(A)	(B)	(C)	(D)	(E)	(F)		
1	1	129100-01580	PIN, PARALLEL 8X16	2	2	2					
2	1	129C01-01600	HOUSING, FLYWHEEL	1	1	1					
3	1	119620-01750	CAP, WHEEL COVER	1	1	1					
4	1	26206-100252	BOLT, M10X 25 PLATED	6	6	6					
5	1	26206-100302	BOLT, M10X 30 PLATED	4	4	4					
6	1	129400-01730	SPACER, OIL PAN	1	1	1					
7	1	129436-01780	OIL PAN ASSY	1	1	1					
8	2	119640-01640	PLUG, DRAIN M22	1	1	1					
10	2	22190-220002	WASHER, SEAL 22	1	1	1					
11	1	26106-080162	BOLT, M8X 16 PLATED	4	4	4					
12	1	26106-080252	BOLT, M8X 25 PLATED	2	2	2					
13	1	26106-080452	BOLT, M8X 45 PLATED	20	20	20					
14	1	26106-080502	BOLT, M8X 50 PLATED	4	4	4					
15	1	129100-01580	PIN, PARALLEL 8X16	2	2	2					
16	1	129648-01600	CASE ASSY, OIL SEAL	1	1	1					
18	2	129648-01780	SEAL, OIL	1	1	1					
19	1	129486-01670	BOLT, M8X30	6	6	6					
20	1	26106-080352	BOLT, M8X 35 PLATED	3	3	3					
21	1	129A00-21710	SENSOR, FLYWHEEL	1	1	1					1
22	1	26450-060162	BOLT, M6X 16	1	1	1					

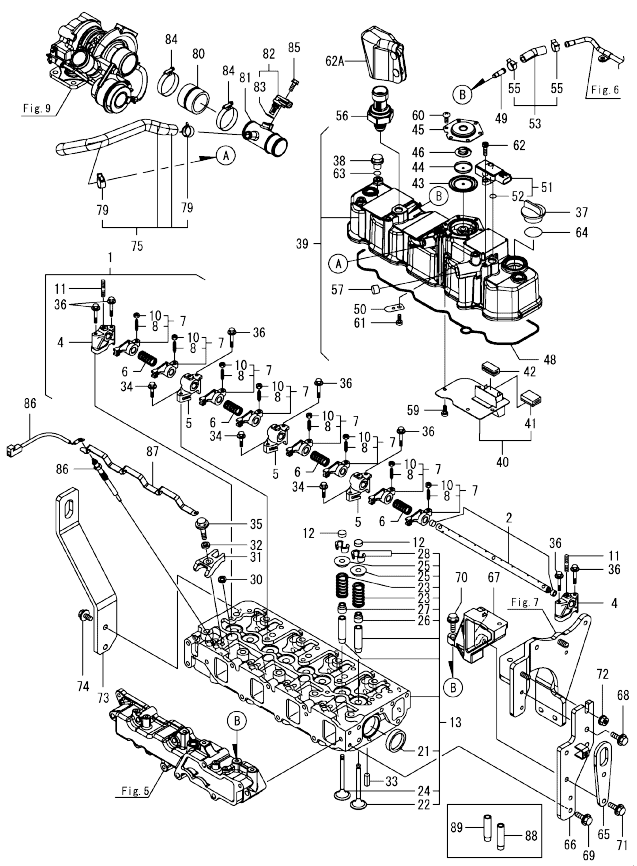
Remarks

(1)When replacing this part, it is necessary to update the software of the ECU using the designated service tool. Please refer to the Service Manual for details.

Fig.4. CYLINDER HEAD & BONNET

(A)=4TN86CHT-MJLW5  
(B)=4TN86CHT-MJLW6  
(C)=4TN86CHT-MJLW

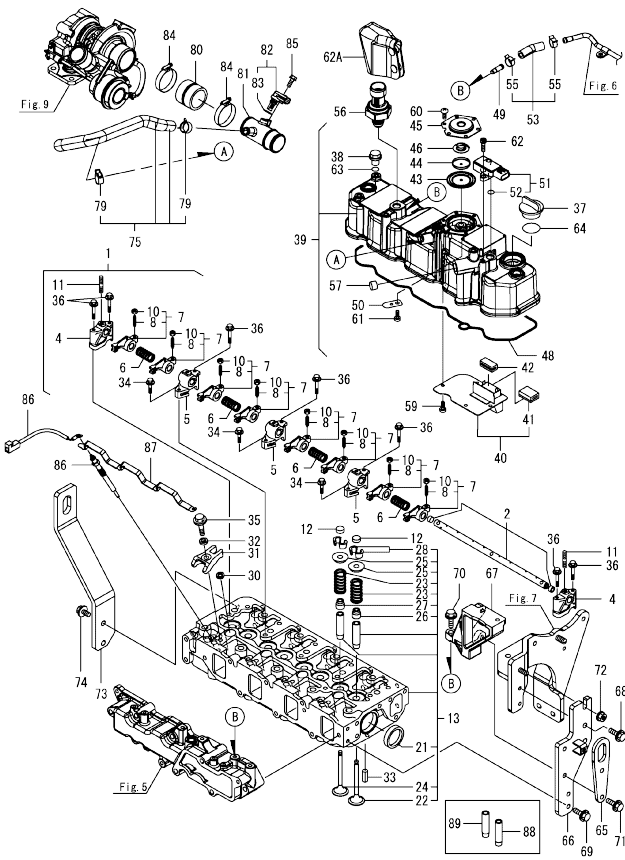
(D)=  
(E)=  
(F)=



No.	Lev.	Parts No.	Description	Q'ty						I	R
				(A)	(B)	(C)	(D)	(E)	(F)		
1	1	129601-11241	SHAFT ASSY, ROCKER	1	1	1					
2	2	129601-11251	SHAFT, ROCKER ARM	1	1	1					
4	2	119802-11260	SUPPORT, ROCKER ARM	2	2	2					
5	2	119802-11270	SUPPORT, ROCKER ARM	3	3	3					
6	2	129150-11280	SPRING, SHAFT	4	4	4					
7	2	129004-11650	ARM ASSY, ROCKER	8	8	8					
8	3	129150-11230	SCREW, VALVE ADJUST	8	8	8					
10	3	129150-11750	NUT, M8XP1.0	8	8	8					
11	2	26226-080182	STUD, M8X 18	3	3	3					
12	1	129150-11370	CAP, VALVE	8	8	8					
13	1	129C05-11700	HEAD ASSY, CYLINDER	1	1	1					
21	2	27241-400000	PLUG, 40	2	2	2					
22	2	129C05-11100	VALVE, SUCTION	4	4	4					
23	2	129795-11120	SPRING, VALVE	8	8	8					
24	2	129100-11112	VALVE, EXHAUST	4	4	4					
25	2	129795-11180	RETAINER, SPRING	8	8	8					
26	2	124460-11340	SEAL, VALVE STEM	4	4	4					
27	2	129A00-11340	SEAL, VALVE STEM	4	4	4					
28	2	27310-080001	COTTER, 8	8	8	8					
30	1	129978-11871	GASKET, INJECTOR	4	4	4					
31	1	129A00-11900	RETAINER, INJECTOR	4	4	4					
32	1	120270-54410	WASHER, INJECTOR	4	4	4					
33	1	22351-060012	PIN, SPRING 6.0X12	2	2	2					
34	1	26106-080252	BOLT, M8X 25 PLATED	3	3	3					
35	1	26106-080352	BOLT, M8X 35 PLATED	4	4	4					
36	1	26106-080502	BOLT, M8X 50 PLATED	7	7	7					
37	1	124160-01751	CAP, FILLER	1	1	1					
38	1	124160-11360	KNOB, BONNET	3	3	3					
39	1	129C05-11351	BONNET ASSY	1	1	1					
40	2	129004-03010	PLATE, BAFFLE	1	1	1					
41	3	119802-03070	BAFFLE, BREATHER	1	1	1					
42	2	129150-03070	BAFFLE, BREATHER	1	1	1					
43	2	123907-03100	DIAPHRAGM, BREATHER	1	1	1					
44	2	123907-03110	PLATE, CENTER	1	1	1					
45	2	123907-03120	PLATE, BREATHER	1	1	1					
46	2	123907-03140	SPRING, DIAPHRAGM	1	1	1					
48	2	129C00-11310	GASKET, BONNET	1	1	1					
49	2	129A00-11330	JOINT	1	1	1					
50	2	129009-11340	SPRING, PLATE	1	1	1					
51	2	129C05-12700	SENSOR, INT PRESSURE	1	1	1					
52	3	129A00-12780	O-RING, EGR SENSOR	2	2	2					
53	2	129C05-13360	HOSE ASSY, PRES EXH	1	1	1					
55	3	129A00-13380	CLIP, HOSE 14	2	2	2					
56	2	129C05-13700	SENSOR, EXH PRESSURE	1	1	1					
57	2	119640-61400	PLUG	1	1	1					
59	2	22857-500100	SCREW, 5X10	4	4	4					
60	2	22857-500100	SCREW, 5X10	6	6	6					
61	2	22857-500100	SCREW, 5X10	1	1	1					
62	2	26450-060162	BOLT, M6X 16	1	1	1					
62A	1	129C05-91500	COVER, SENSOR	1	1	1					
63	1	24311-000120	O-RING, 1AP12.0	3	3	3					

Remarks  
 (1)When replacing this part, it is necessary to update the software of the ECU using the designated service tool. Please refer to the Service Manual for details.  
 (2)Spare parts.

Fig.4. CYLINDER HEAD & BONNET



(A)=4TN86CHT-MJLW5  
(B)=4TN86CHT-MJLW6  
(C)=4TN86CHT-MJLW

(D)=  
(E)=  
(F)=

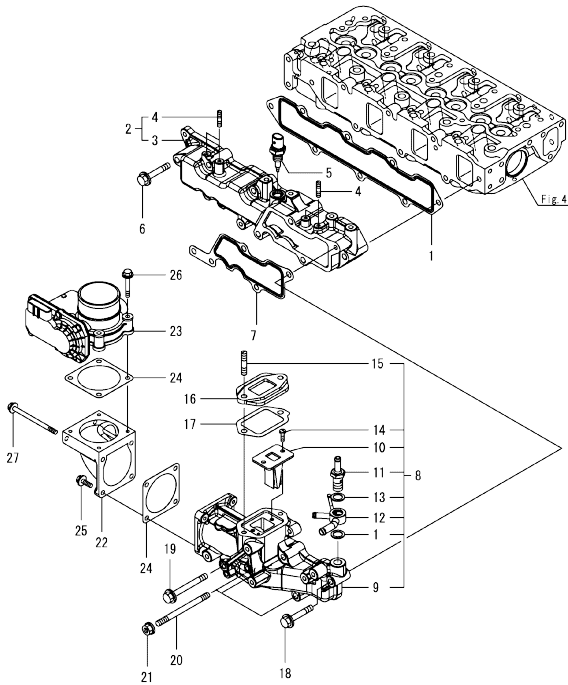
No.	Lev.	Parts No.	Description	Q'ty						I	R
				(A)	(B)	(C)	(D)	(E)	(F)		
64	1	24311-000320	O-RING, 1AP32.0	1	1	1					
65	1	129A01-07900	LIFTER, ENGINE	1	1	1					
66	1	129A01-16810	STAY, DPF	1	1	1					
67	1	129A01-55650	STAY, FILTER BRACKET	1	1	1					
68	1	26106-080202	BOLT, M8X 20 PLATED	2	2	2					
69	1	26106-080202	BOLT, M8X 20 PLATED	2	2	2					
70	1	26106-080252	BOLT, M8X 25 PLATED	1	1	1					
71	1	26106-080302	BOLT, M8X 30 PLATED	2	2	2					
72	1	26306-080002	NUT, M8	1	1	1					
73	1	129C01-07900	LIFTER, ENGINE	1	1	1					
74	1	26106-080202	BOLT, M8X 20 PLATED	2	2	2					
75	1	129C05-03080	HOSE ASSY, BREATHER	1	1	1					
79	2	129410-03990	CLAMP, HOSE 21.5	2	2	2					
80	1	129E30-12060	HOSE, AIR INTAKE	1	1	1					
81	1	129C01-03060	JOINT, BREATHER	1	1	1					
82	1	129A00-12711	SENSOR, TEMPERATURE	1	1	1					
83	2	129A00-12790	O-RING, TEMP SENSOR	1	1	1					
84	1	23000-060000	CLAMP, 60	2	2	2					
85	1	26106-060162	BOLT, M6X 16 PLATED	1	1	1					
86	1	129008-77800	PLUG, GLOW	4	4	4					
87	1	129C00-77820	CONNECTOR, GLOW PLUG	1	1	1					
88	1	120130-11860	GUIDE, VALVE	4	4	4					2
89	1	129150-11810	GUIDE, VALVE	4	4	4					2

Remarks

- (1)When replacing this part, it is necessary to update the software of the ECU using the designated service tool. Please refer to the Service Manual for details.
- (2)Spare parts.



Fig.5. SUCTION MANIFOLD



(A)=4TN86CHT-MJLW5  
(B)=4TN86CHT-MJLW6  
(C)=4TN86CHT-MJLW

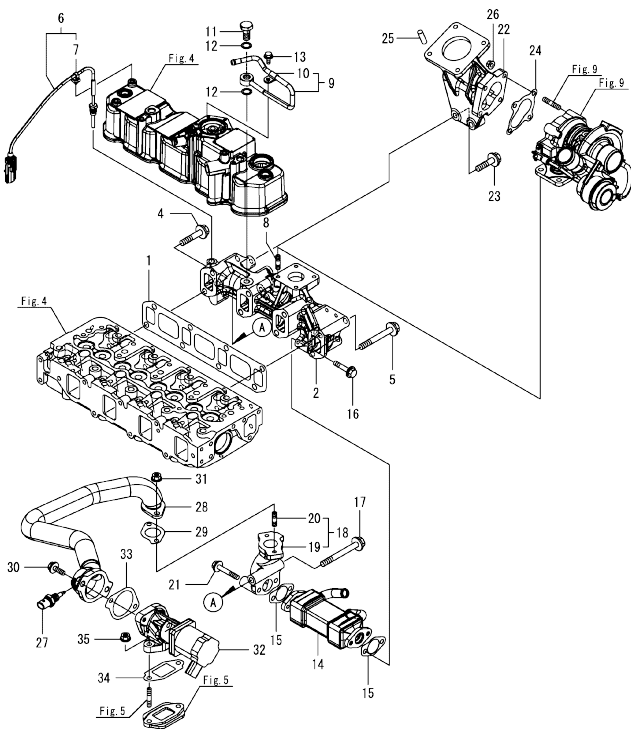
(D)=  
(E)=  
(F)=

No.	Lev.	Parts No.	Description	Q'ty						I	R
				(A)	(B)	(C)	(D)	(E)	(F)		
1	1	129C00-12110	GASKET, MANIFOLD	1	1	1					
2	1	129C01-12150	MANIFOLD ASSY,INTAKE	1	1	1					
3	2	129C01-12100	MANIFOLD, INTAKE	1	1	1					
4	2	26216-060202	STUD, M6X 20	4	4	4					
5	1	129A00-12721	SENSOR,AIR TEMP	1	1	1					1
6	1	26106-080502	BOLT, M8X 50 PLATED	5	5	5					
7	1	129A00-12810	GASKET, COLLECTOR	1	1	1					
8	1	129A01-12851	COLLECTOR ASSY	1	1	1					
9	2	129A01-12800	COLLECTOR, INTAKE	1	1	1					
10	2	129C01-13700	VALVE, REED	1	1	1					
11	2	129A00-59110	JOINT, HOSE M14	1	1	1					
12	2	129A00-59120	JOINT, HOSE 14	1	1	1					
13	2	22190-140002	WASHER, SEAL 14	2	2	2					
14	2	22857-500160	SCREW, 5X16	2	2	2					
15	2	26216-080352	STUD, M8X 35	2	2	2					
16	1	129A00-13710	SPACER, EGR VALVE	1	1	1					
17	1	129A00-13720	GASKET, EGR-V SPACER	1	1	1					
18	1	26106-080502	BOLT, M8X 50 PLATED	1	1	1					
19	1	26106-080752	BOLT, M8X 75 PLATED	1	1	1					
20	1	26216-081052	STUD, M8X105	3	3	3					
21	1	26306-080002	NUT, M8	3	3	3					
22	1	129A00-12820	BEND, INTAKE	1	1	1					
23	1	129A00-12900	THROTTLE, INTAKE	1	1	1					1
24	1	129A00-12910	GASKET, THROTTLE	2	2	2					
25	1	26106-060202	BOLT, M6X 20 PLATED	2	2	2					
26	1	26106-060402	BOLT, M6X 40 PLATED	4	4	4					
27	1	26106-060902	BOLT, M6X 90 PLATED	2	2	2					

Remarks

(1)When replacing this part, it is necessary to update the software of the ECU using the designated service tool. Please refer to the Service Manual for details.

Fig.6. EXHAUST MANIFOLD



(A)=4TN86CHT-MJLW5  
(B)=4TN86CHT-MJLW6  
(C)=4TN86CHT-MJLW

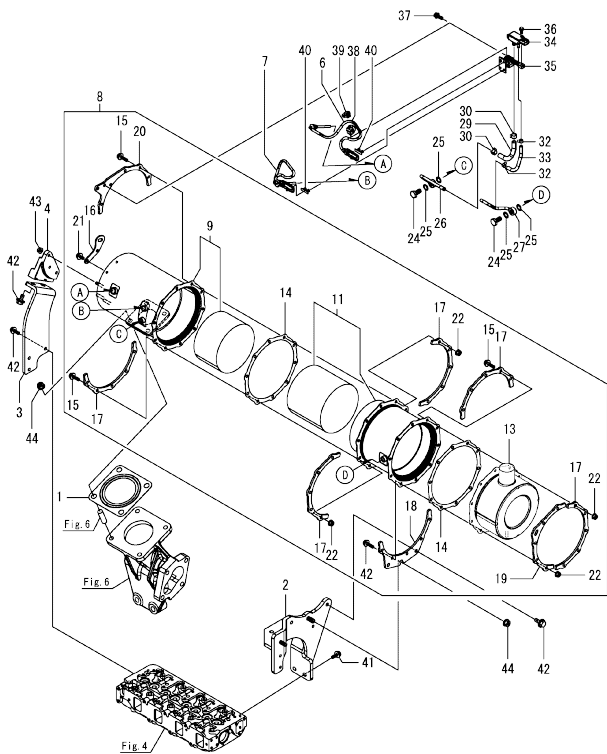
(D)=  
(E)=  
(F)=

No.	Lev.	Parts No.	Description	Q'ty						I	R
				(A)	(B)	(C)	(D)	(E)	(F)		
1	1	129C00-13110	GASKET, MANIFOLD	1	1	1					
2	1	129C05-13100	MANIFOLD ASSY, EXH.	1	1	1					
4	1	129A01-13601	BOLT, M10X50 10.9T	1	1	1					
5	1	129F01-13630	BOLT, M10X80 10.9T	7	7	7					
6	1	129C01-13770	SENSOR, TEMPERATURE	1	1	1					1
7	2	129A00-91200	CLIP, BAND	1	1	1					
8	1	129C05-13120	STUD, M8X20	4	4	4					
9	1	129C05-13300	PIPE ASSY, EXHAUST P	1	1	1					
10	2	23297-080061	CLAMP, ABX 6	1	1	1					
11	1	129A00-13350	BOLT, PIPE JOINT	1	1	1					
12	1	23414-120000	GASKET, 12X1.0	2	2	2					
13	1	26106-060122	BOLT, M6X 12 PLATED	1	1	1					
14	1	129A00-13400	COOLER, EGR	1	1	1					
15	1	129A00-13410	GASKET, EGR COOLER	2	2	2					
16	1	129E00-13620	BOLT, M8X40 10.9	2	2	2					
17	1	129F01-13600	BOLT, M10X90 10.9T	1	1	1					
18	1	129A00-13851	PIPE, EGR OUTLET	1	1	1					
19	2	129A00-13861	PIPE, EGR OUTLET	1	1	1					
20	2	129418-18320	STUD, M8X20	2	2	2					
21	1	26106-080502	BOLT, M8X 50 PLATED	2	2	2					
22	1	129C05-13350	PIPE, EXHAUST	1	1	1					
23	1	129F01-13650	BOLT, M10X40 10.9T	2	2	2					
24	1	129C05-18090	GASKET, TC OUT	1	1	1					
25	1	123900-13130	STUD, M10X22	4	4	4					
26	1	26306-080002	NUT, M8	4	4	4					
27	1	129A00-13752	SENSOR, EGR GAS TEMP	1	1	1					1
28	1	129C00-13800	PIPE, EGR	1	1	1					
29	1	129927-13810	GASKET, EGR PIPE	1	1	1					
30	1	26106-080252	BOLT, M8X 25 PLATED	2	2	2					
31	1	26306-080002	NUT, M8	2	2	2					
32	1	129A00-13901	VALVE, EGR	1	1	1					1
33	1	129A00-13910	GASKET, EGR-V INLET	1	1	1					
34	1	129A00-13920	GASKET, EGR-V OUTLET	1	1	1					
35	1	26306-080002	NUT, M8	2	2	2					

Remarks

(1)When replacing this part, it is necessary to update the software of the ECU using the designated service tool. Please refer to the Service Manual for details.

Fig.7. DIESEL PARTICULATE FILTER(DPF)



(A)=4TN86CHT-MJLW5  
(B)=4TN86CHT-MJLW6  
(C)=4TN86CHT-MJLW

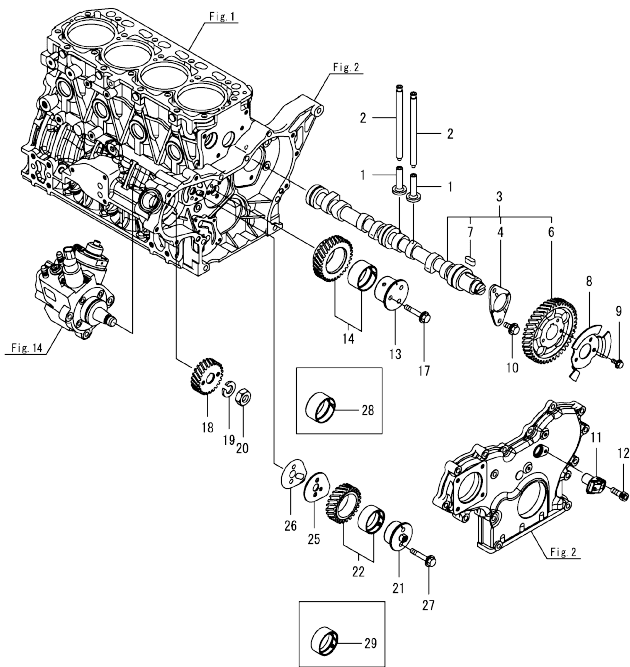
(D)=  
(E)=  
(F)=

No.	Lev.	Parts No.	Description	Q'ty						I	R
				(A)	(B)	(C)	(D)	(E)	(F)		
1	1	128300-13230	GASKET, SILENCER	1	1	1					
2	1	129C01-16811	STAY, DPF	1	1	1					
3	1	129C01-16820	STAY, DPF	1	1	1					
4	1	129C01-16830	STAY, DPF	1	1	1					
6	1	129C00-13860	SENSOR, ATD TEMP.DS+	1	1	1					1
7	1	129C00-13870	SENSOR, ATD TEMP.DS+	1	1	1					1
8	1	129C72-16030	DPF ASSY	1	1	1					1
9	2	129C01-16220	CASE, DOC	1	1	1					1
11	2	129C05-16540	CASE, SOOT FILTER	1	1	1					1
13	2	129E20-16550	SILENCER, DPF	1	1	1					
14	2	129E00-16600	GASKET, DPF	2	2	2					
15	2	129A00-16610	BOLT, M8X28 10.9T	20	20	20					
16	2	129C01-16680	LIFTER, DPF	1	1	1					
17	2	129C01-16700	STIFFENER, DPF A	5	5	5					
18	2	129C01-16721	STIFFENER, DPF B	1	1	1					
19	2	129C01-16740	STIFFENER, DPF C	1	1	1					
20	2	129C01-16750	STIFFENER, DPF C	1	1	1					
21	2	26106-080142	BOLT, M8X 14 PLATED	2	2	2					
22	2	26306-080002	NUT, M8	20	20	20					
24	1	129A00-13350	BOLT, PIPE JOINT	2	2	2					
25	1	129A00-17311	GASKET, SENSOR	4	4	4					
26	1	129E00-17310	PIPE ASSY, PRESSURE	1	1	1					
27	1	129E00-17360	PIPE ASSY, PRESSURE	1	1	1					
29	1	129C01-17510	HOSE, PRES EXH	1	1	1					
30	1	129A00-17520	CLIP, HOSE	2	2	2					
32	1	129A00-17570	CLIP, HOSE	2	2	2					
33	1	129A00-17580	HOSE, PRES EXH	1	1	1					
34	1	129978-17700	SENSOR, PRESSURE	1	1	1					1
35	1	129E20-17700	BRACKET, SENSOR	1	1	1					
36	1	26106-060162	BOLT, M6X 16 PLATED	2	2	2					
37	1	26106-080202	BOLT, M8X 20 PLATED	2	2	2					
38	1	129A00-91200	CLIP, BAND	1	1	1					
39	1	129C00-91200	BAND	1	1	1					
40	1	129A00-91430	CLIP, CONNECTOR	2	2	2					
41	1	26106-080202	BOLT, M8X 20 PLATED	5	5	5					
42	1	26106-100202	BOLT, M10X 20 PLATED	4	4	4					
43	1	26306-080002	NUT, M8	3	3	3					
44	1	26306-100002	NUT, M10	5	5	5					

Remarks

(1)When replacing this part, it is necessary to update the software of the ECU using the designated service tool. Please refer to the Service Manual for details.

Fig.8. CAMSHAFT & DRIVING GEAR



(A)=4TN86CHT-MJLW5  
(B)=4TN86CHT-MJLW6  
(C)=4TN86CHT-MJLW

(D)=  
(E)=  
(F)=

No.	Lev.	Parts No.	Description	Q'ty						I	R
				(A)	(B)	(C)	(D)	(E)	(F)		
1	1	129150-14200	TAPPET	8	8	8					
2	1	129150-14400	ROD, PUSH L=178	8	8	8					
3	1	129C00-14580	CAMSHAFT ASSY	1	1	1					
4	2	129150-02450	METAL, THRUST	1	1	1					
6	2	129A00-14100	GEAR, CAMSHAFT	1	1	1					
7	2	22512-070140	KEY, 7X 14	1	1	1					
8	1	129A00-14701	PULSER, CAMSHAFT	1	1	1					
9	1	26106-060102	BOLT, M6X 10 PLATED	3	3	3					
10	1	26106-080142	BOLT, M8X 14 PLATED	2	2	2					
11	1	129A00-14710	SENSOR, ROTATION	1	1	1					
12	1	26450-060162	BOLT, M6X 16	1	1	1					
13	1	129A00-25050	SHAFT, IDLE GEAR A	1	1	1					
14	1	129A00-25110	GEAR ASSY, IDLE A	1	1	1					
17	1	26106-080452	BOLT, M8X 45 PLATED	3	3	3					
18	1	129A00-25900	GEAR, SUPPLY PUMP	1	1	1					
19	1	22217-180000	WASHER, SPRING 18	1	1	1					
20	1	26776-180002	NUT, LOCK M18	1	1	1					
21	1	129A00-25060	SHAFT, IDLE GEAR B	1	1	1					
22	1	129A00-25120	GEAR ASSY, IDLE B	1	1	1					
25	1	129A00-25200	PLATE, IDLE SHAFT B	1	1	1					
26	1	129A00-25210	GASKET, IDLE SHAFT B	1	1	1					
27	1	26106-080402	BOLT, M8X 40 PLATED	2	2	2					
28	1	119802-25071	BUSH, IDLE GEAR	1	1	1					1
29	1	129A00-25080	BUSH, IDLE GEAR B	1	1	1					1

Remarks  
(1)Spare parts.

OCD50-M06761 ENGINE  
 Fig.9. TURBINE

OCD50-M06761 Fig.9

(A)=4TN86CHT-MJLW5  
 (B)=4TN86CHT-MJLW6  
 (C)=4TN86CHT-MJLW

(D)=  
 (E)=  
 (F)=

No.	Lev.	Parts No.	Description	Q'ty					
				(A)	(B)	(C)	(D)	(E)	(F)
1	1	129C05-18010	TURBOCHARGER ASSY,TD	1	1	1			
2	1	129C05-18080	GASKET,TC IN	1	1	1			
3	1	129930-13130	STUD, M8X30	4	4	4			
4	1	26306-080002	NUT, M8	4	4	4			

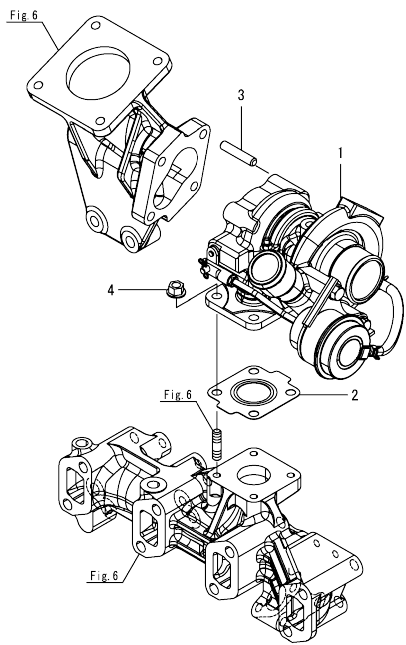
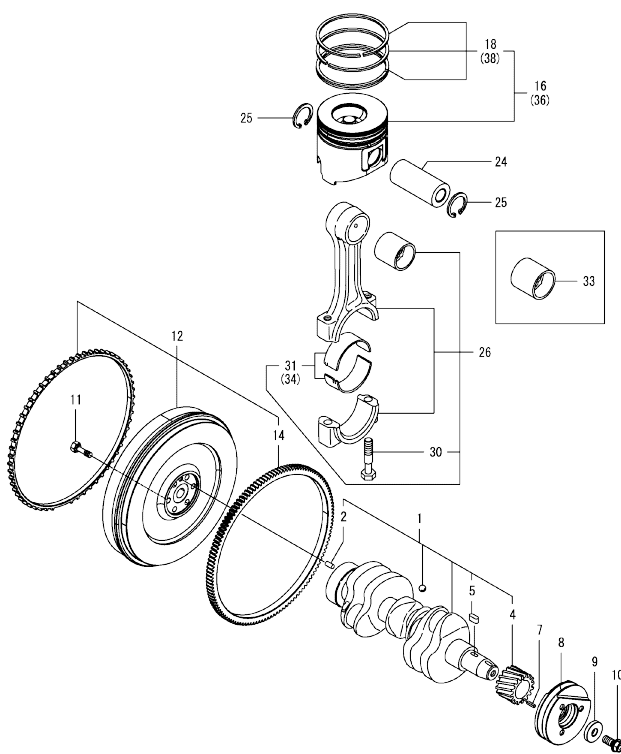


Fig.10. CRANKSHAFT & PISTON

(A)=4TN86CHT-MJLW5  
(B)=4TN86CHT-MJLW6  
(C)=4TN86CHT-MJLW

(D)=  
(E)=  
(F)=



No.	Lev.	Parts No.	Description	Q'ty						I	R
				(A)	(B)	(C)	(D)	(E)	(F)		
1	1	129509-21000	CRANKSHAFT ASSY	1	1	1					
2	2	129100-01580	PIN, PARALLEL 8X16	1	1	1					
4	2	119803-21200	GEAR, CRANKSHAFT	1	1	1					
5	2	22512-070140	KEY, 7X 14	1	1	1					
7	1	22351-030010	PIN, SPRING 3.0X10	1	1	1					
8	1	129C35-21310	V-PULLEY	1	1	1					
9	1	129795-21661	WASHER, 14	1	1	1					
10	1	121850-21680	BOLT, V-PULLEY	1	1	1					
11	1	121111-21501	BOLT, FLYWHEEL	6	6	6					
12	1	129C00-21570	FLYWHEEL ASSY	1	1	1					
14	2	124550-21600	GEAR, RING Z=127	1	1	1					
16	1	129C05-22000	PISTON ASSY	4	4	4					
18	2	129C05-22050	RING ASSY, PISTON	4	4	4					
24	1	129573-22301	PIN, PISTON D28 L69	4	4	4					
25	1	22252-000280	RING, 28	8	8	8					
26	1	129C05-23900	ROD ASSY, CONNECTING	4	4	4					
30	2	121550-23200	BOLT, CONNECTING ROD	8	8	8					
31	2	129C05-23600	BEARING ASSY, PIN	4	4	4					
33	1	129C05-23910	BUSH, PISTON PIN	4	4	4					1
34	1	129C05-23610	BEARING ASSY, PIN US	4	4	4					2
36	1	129C05-22900	PISTON ASSY, 0.25 OS	4	4	4					3
38	2	129C05-22950	RING ASSY, PISTON OS	4	4	4					3

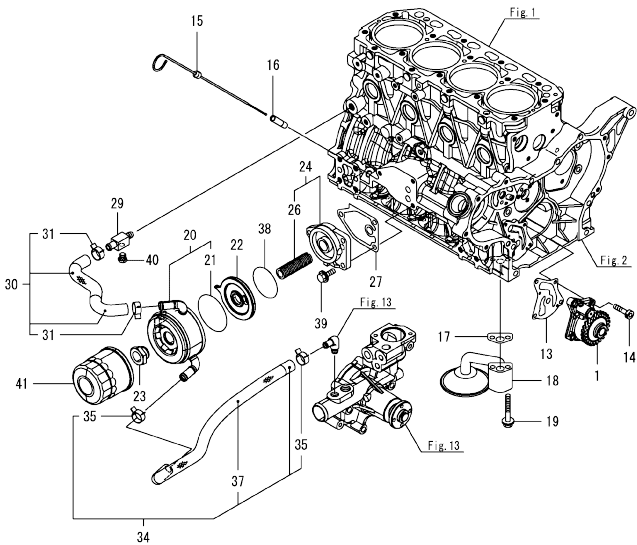
Remarks  
(1)Spare parts.  
(2)Under-sized(U.S.=0.25) parts.  
(3)Over-sized(O.S.=0.25) parts.

Fig.11. LUB. OIL SYSTEM

(A)=4TN86CHT-MJLW5  
(B)=4TN86CHT-MJLW6  
(C)=4TN86CHT-MJLW

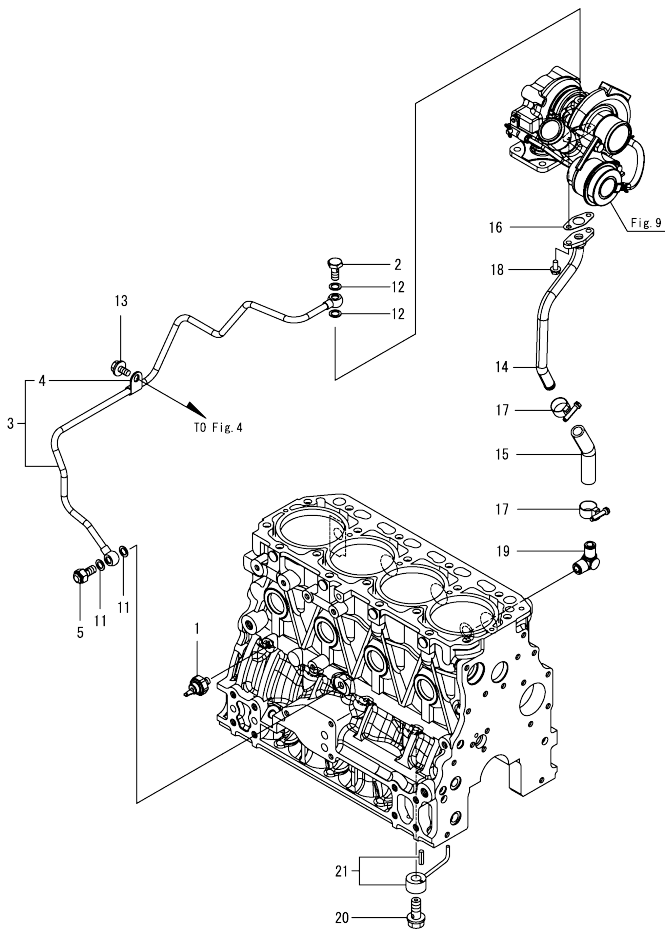
(D)=  
(E)=  
(F)=

No.	Lev.	Parts No.	Description	Q'ty						I	R
				(A)	(B)	(C)	(D)	(E)	(F)		
1	1	129C05-32000	PUMP ASSY, LO	1	1	1					
13	1	129486-32020	GASKET, PUMP	1	1	1					
14	1	26450-060252	BOLT, M6X 25	4	4	4					
15	1	129004-34802	DIPSTICK, OIL	1	1	1					
16	1	121520-34810	GUIDE, DIPSTICK	1	1	1					
17	1	129150-35042	GASKET, INLET PIPE	1	1	1					
18	1	129436-35070	PIPE ASSY, OIL INLET	1	1	1					
19	1	26106-080552	BOLT, M8X 55 PLATED	2	2	2					
20	1	129908-33010	COOLER ASSY, OIL	1	1	1					
21	2	123912-33050	O-RING	1	1	1					
22	1	129C01-33100	BRACKET, COOLER	1	1	1					
23	1	129417-33111	NUT, OIL COOLER	1	1	1					
24	1	129648-35100	BRACKET ASSY, FILTER	1	1	1					
26	2	129648-35150	STUD	1	1	1					
27	1	129150-35111	GASKET, BRACKET	1	1	1					
29	1	129006-44480	JOINT, R02	1	1	1					
30	1	129A01-49030	PIPE, COOLER INLET	1	1	1					
31	2	171008-03990	CLAMP, HOSE 18.5	2	2	2					
34	1	129C35-49040	HOSE, COOLER OUTLET	1	1	1					
35	2	171008-03990	CLAMP, HOSE 18.5	2	2	2					
37	2	129C35-49090	PROTECTOR, HOSE	1	1	1					
38	1	24321-000600	O-RING, 1AG60.0	1	1	1					
39	1	26106-080202	BOLT, M8X 20 PLATED	3	3	3					
40	1	171056-49120	PLUG, DRAIN R1/4	1	1	1					
41	1	129150-35153	FILTER ASSY, D80X80L	1	1	1					1



Remarks  
(1)Spare parts.

Fig.12. LUB. OIL PIPING



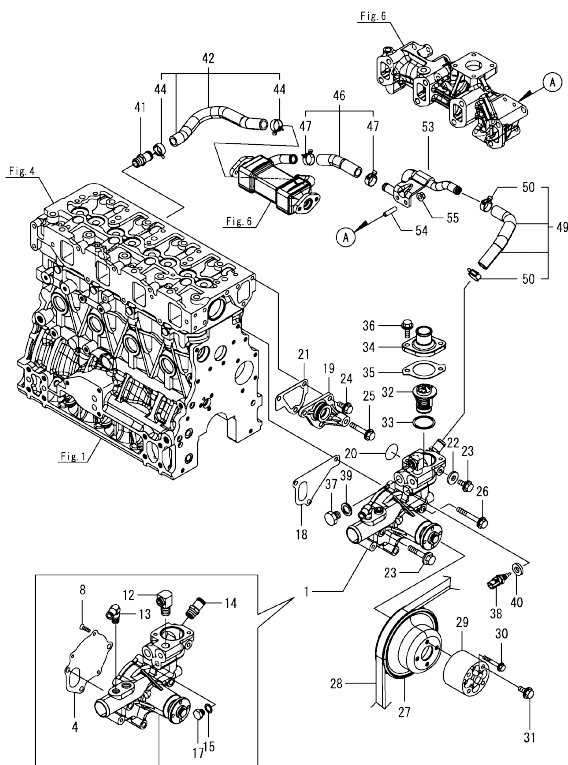
(A)=4TN86CHT-MJLW5  
(B)=4TN86CHT-MJLW6  
(C)=4TN86CHT-MJLW

(D)=  
(E)=  
(F)=

No.	Lev.	Parts No.	Description	Q'ty					
				(A)	(B)	(C)	(D)	(E)	(F)
1	1	119761-39450	SWITCH, HYDRAULIC	1	1	1			
2	1	121252-39150	BOLT, JOINT M10X1.5	1	1	1			
3	1	129C05-39450	PIPE ASSY, LO T/C	1	1	1			
4	2	124223-39900	RETAINER	1	1	1			
5	1	129C05-39700	VALVE ASSY, CHECK	1	1	1			
11	1	22190-100002	WASHER, SEAL 10	2	2	2			
12	1	23414-100000	GASKET, 10X1.0	2	2	2			
13	1	26106-080122	BOLT, M8X 12 PLATED	1	1	1			
14	1	129C05-39601	PIPE ASSY, LO RETURN	1	1	1			
15	1	129044-39610	JOINT, RUBBER	1	1	1			
16	1	129C05-39690	GASKET, LO PIPE RTRN	1	1	1			
17	1	23000-022000	CLAMP, 22	2	2	2			
18	1	26106-060122	BOLT, M6X 12 PLATED	2	2	2			
19	1	129466-49300	ELBOW, PT3/8	1	1	1			
20	1	129C05-39410	VALVE ASSY, CHECK	4	4	4			
21	1	129C05-39650	NOZZLE, PISTON	4	4	4			



Fig.13. COOLING WATER SYSTEM



(A)=4TN86CHT-MJLW5  
(B)=4TN86CHT-MJLW6  
(C)=4TN86CHT-MJLW

(D)=  
(E)=  
(F)=

No.	Lev.	Parts No.	Description	Q'ty						I	R
				(A)	(B)	(C)	(D)	(E)	(F)		
1	1	129C24-42100	PUMP ASSY, CW	1	1	1					
4	2	129100-42051	GASKET, WATER PUMP	1	1	1					
8	2	129150-42290	SCREW, FLAT M6X15	3	3	3					
12	2	129C20-49350	ELBOW, R3/8	1	1	1					
13	2	129103-49301	ELBOW, PT1/4	1	1	1					
14	2	129928-49420	JOINT	1	1	1					
15	2	23414-120000	GASKET, 12X1.0	1	1	1					
17	2	23887-120002	PLUG, 12	1	1	1					
18	1	129486-42021	GASKET, WATER PUMP	1	1	1					
19	1	129004-42040	JOINT, WATER PIPE	1	1	1					
20	1	129486-42140	O-RING, G30	1	1	1					
21	1	124395-49840	GASKET, THERMOSTAT	1	1	1					
22	1	23414-080000	GASKET, 8X1.0	1	1	1					
23	1	26106-080122	BOLT, M8X 12 PLATED	1	1	1					
24	1	26106-080162	BOLT, M8X 16 PLATED	3	3	3					
25	1	26106-080452	BOLT, M8X 45 PLATED	1	1	1					
26	1	26106-080602	BOLT, M8X 60 PLATED	3	3	3					
27	1	129120-42351	V-PULLEY, PUMP	1	1	1					
28	1	129940-42320	V-BELT, A41	1	1	1					
29	1	129601-44770	SPACER, FAN 50MM	1	1	1					
30	1	26106-060552	BOLT, M6X 55 PLATED	4	4	4					
31	1	26106-080162	BOLT, M8X 16 PLATED	4	4	4					
32	1	129457-49801	THERMOSTAT, 82C	1	1	1					
33	1	129150-49811	GASKET, THERMOSTAT	1	1	1					
34	1	129350-49530	COVER, THERMOSTAT	1	1	1					
35	1	129795-49551	GASKET, COVER	1	1	1					
36	1	26106-080222	BOLT, M8X 22 PLATED	2	2	2					
37	1	121450-42450	PLUG, M16	1	1	1					
38	1	129927-44900	SENSOR, TEMPERATURE	1	1	1					1
39	1	124465-44950	GASKET, 16	1	1	1					
40	1	22190-120002	WASHER, SEAL 12	1	1	1					
41	1	129928-49420	JOINT	1	1	1					
42	1	129C23-49620	PIPE ASSY, WATER	1	1	1					
44	2	129960-03990	CLAMP, HOSE 19.8	2	2	2					
46	1	129C00-49610	PIPE ASSY, OUTLET A	1	1	1					
47	2	129960-03990	CLAMP, HOSE 19.8	2	2	2					
49	1	129C23-49650	HOSE, COOLER OUTLET	1	1	1					
50	2	129960-03990	CLAMP, HOSE 19.8	2	2	2					
53	1	129C05-49700	PIPE, CW EGR-C OUT	1	1	1					
54	1	119131-18320	STUD, M8X22	2	2	2					
55	1	26306-080002	NUT, M8	2	2	2					

Remarks

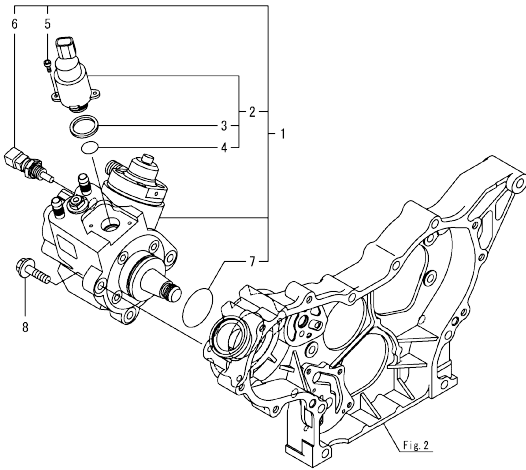
(1)When replacing this part, it is necessary to update the software of the ECU using the designated service tool. Please refer to the Service Manual for details.

Fig.14. FUEL SUPPLY PUMP

(A)=4TN86CHT-MJLW5  
 (B)=4TN86CHT-MJLW6  
 (C)=4TN86CHT-MJLW

(D)=  
 (E)=  
 (F)=

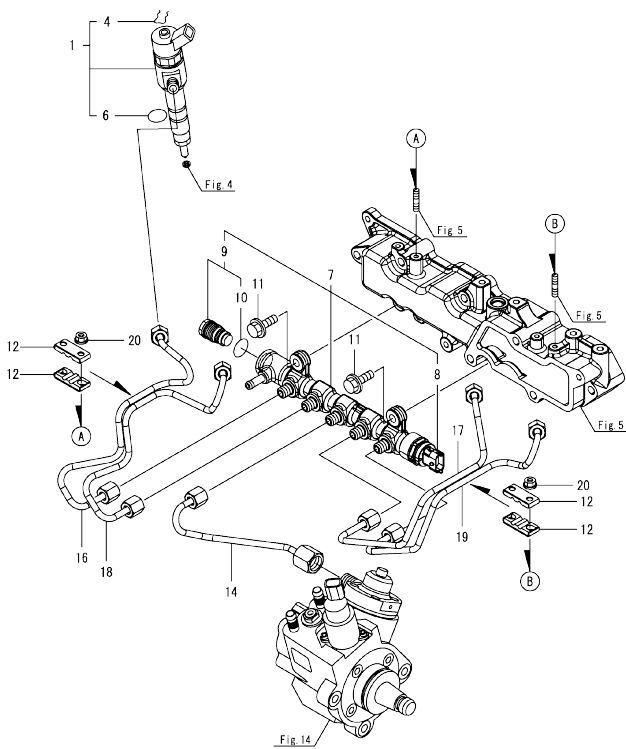
No.	Lev.	Parts No.	Description	Q'ty						I	R
				(A)	(B)	(C)	(D)	(E)	(F)		
1	1	129C28-51000	PUMP ASSY, FUEL	1	1	1					1
2	2	129A00-51100	VALVE ASSY	1	1	1					1
3	3	129A00-51110	RING, SEAL	1	1	1					
4	3	129A00-51120	O-RING, MPROP	1	1	1					
5	2	129A00-51130	BOLT, MPROP	2	2	2					
6	2	129A00-51200	SENSOR, TEMPERATURE	1	1	1					1
7	2	129A00-51900	O-RING, FUEL PUMP	1	1	1					
8	1	26106-080302	BOLT, M8X 30 PLATED	3	3	3					



Remarks

(1)When replacing this part, it is necessary to update the software of the ECU using the designated service tool. Please refer to the Service Manual for details.

Fig.15. FUEL INJECTION VALVE



(A)=4TN86CHT-MJLW5  
(B)=4TN86CHT-MJLW6  
(C)=4TN86CHT-MJLW

(D)=  
(E)=  
(F)=

No.	Lev.	Parts No.	Description	Q'ty						I	R
				(A)	(B)	(C)	(D)	(E)	(F)		
1	1	129C05-53100	INJECTOR ASSY	4	4	4					1
4	2	129A00-53200	RING, RETAINING	4	4	4					
6	2	129C28-53300	O-RING	4	4	4					
7	1	129C00-57000	COMMON RAIL ASSY	1	1	1					1
8	2	129A00-57100	SENSOR, PRESSURE	1	1	1					1
9	2	129A00-57200	VALVE ASSY, PLV4	1	1	1					1
10	3	129A00-57210	O-RING, PLV4	1	1	1					
11	1	26106-080252	BOLT, M8X 25 PLATED	2	2	2					
12	1	122780-59100	RETAINER, PIPE	4	4	4					
14	1	129A00-59700	PIPE ASSY, RAIL IN	1	1	1					
16	1	129C00-59810	PIPE ASSY, INJECTION	1	1	1					
17	1	129A00-59820	PIPE ASSY, INJECTION	1	1	1					
18	1	129C00-59820	PIPE ASSY, INJECTION	1	1	1					
19	1	129A00-59830	PIPE ASSY, INJECTION	1	1	1					
20	1	26366-060002	NUT, M6	4	4	4					

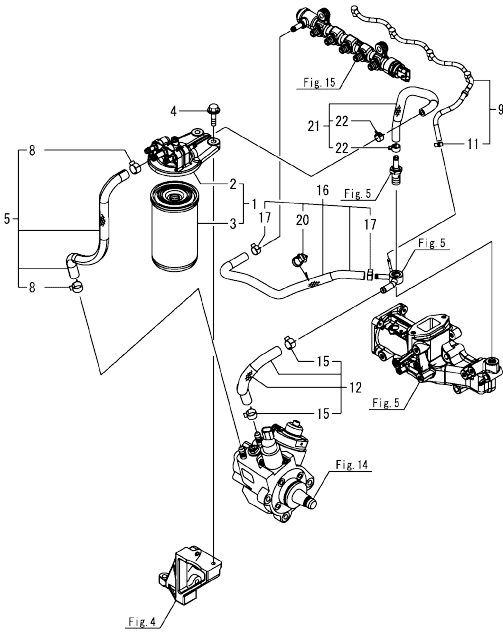
Remarks

(1)When replacing this part, it is necessary to update the software of the ECU using the designated service tool. Please refer to the Service Manual for details.

Fig.16. FUEL PIPE

(A)=4TN86CHT-MJLW5  
 (B)=4TN86CHT-MJLW6  
 (C)=4TN86CHT-MJLW

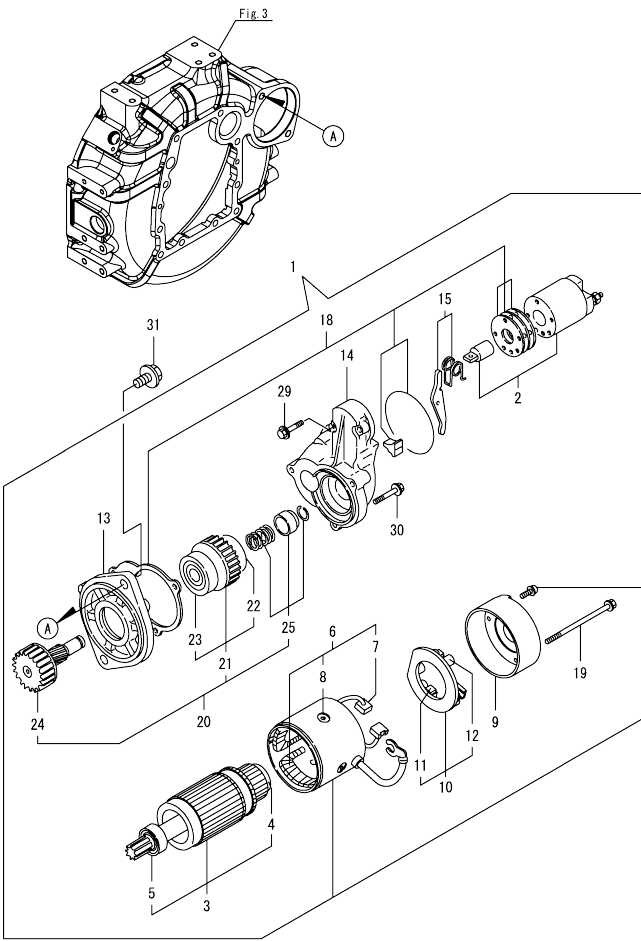
(D)=  
 (E)=  
 (F)=



No.	Lev.	Parts No.	Description	Q'ty					
				(A)	(B)	(C)	(D)	(E)	(F)
1	1	129A00-55600	FILTER ASSY, FUEL	1	1	1			
2	2	129A00-55610	BRACKET ASSY, FILTER	1	1	1			
3	2	129A00-55800	FILTER, FUEL	1	1	1			
4	1	26106-080302	BOLT, M8X 30 PLATED	2	2	2			
5	1	129A00-59010	PIPE ASSY, FUEL	1	1	1			
8	2	23080-015000	CLAMP, 15	2	2	2			
9	1	129677-59501	PIPE ASSY, RETURN	1	1	1			
11	2	23080-007000	CLAMP, 7	1	1	1			
12	1	129A00-59020	PIPE ASSY, RETURN	1	1	1			
15	2	23080-015000	CLAMP, 15	2	2	2			
16	1	129C00-59030	PIPE ASSY, RETURN	1	1	1			
17	2	114270-59010	CLAMP, HOSE 12	2	2	2			
20	2	129A00-91200	CLIP, BAND	1	1	1			
21	1	129A00-59040	PIPE ASSY, RETURN	1	1	1			
22	2	114270-59010	CLAMP, HOSE 12	2	2	2			

N:Old  $\frac{100}{100}$  New, Q:Old  $\frac{100}{100}$  New, R:Old  $\frac{100}{100}$  New, S:Old  $\frac{100}{100}$  New, W:Add, Z:Discontinued, F:Interchangeable by set, K:Qty Change  
 Copyright (C) 2021 YANMAR GLOBAL CS CO., LTD. All Rights Reserved.

Fig.17. STARTER MOTOR



(A)=4TN86CHT-MJLW5  
(B)=4TN86CHT-MJLW6  
(C)=4TN86CHT-MJLW

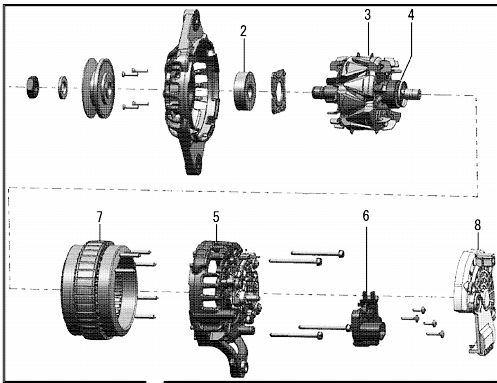
(D)=  
(E)=  
(F)=

No.	Lev.	Parts No.	Description	Qty						I	R
				(A)	(B)	(C)	(D)	(E)	(F)		
1	1	129136-77011	STARTER	1	1	1					
2	2	129136-77310	SWITCH ASSY, MAGNET	1	1	1					
3	2	129900-77400	ARMATURE ASSY	1	1	1					
4	3	X2130350900	BEARING, BALL	1	1	1					
5	3	X2114255110	BEARING, BALL	1	1	1					
6	2	129900-77440	COIL ASSY, FIELD	1	1	1					
7	3	129900-77450	BRUSH, +	2	2	2					
8	3	171008-77450	SCREW, CORE SET	4	4	4					
9	2	129900-77460	COVER, REAR	1	1	1					
10	2	129900-77480	HOLDER ASSY, BRUSH	1	1	1					
11	3	129900-77500	BRUSH	2	2	2					
12	3	129400-77490	SPRING, BRUSH	4	4	4					
13	2	171008-77510	CASE, GEAR	1	1	1					
14	2	129136-77520	HOUSING, STARTOR	1	1	1					
15	2	171008-77540	LEVER SET, SHIFT	1	1	1					
18	2	129400-77571	COVER KIT, DUST	1	1	1					
19	2	129900-77640	BOLT, THROUGH	2	2	2					
20	2	171008-77650	PINION ASSY,W/CLUTCH	1	1	1					
21	3	X2114555500	CLUTCH ASSY	1	1	1					
22	4	X2114955020	BEARING, BALL	1	1	1					
23	4	X2240410100	BEARING, BALL	1	1	1					
24	3	171008-77660	SHAFT, PINION	1	1	1					
25	3	171008-77670	STOPPER SET, PINION	1	1	1					
29	2	26106-060322	BOLT, M6X 32 PLATED	2	2	2					
30	2	26106-060402	BOLT, M6X 40 PLATED	3	3	3					
31	1	26106-120252	BOLT, M12X 25 PLATED	2	2	2					

Fig.18. GENERATOR

(A)=4TN86CHT-MJLW5  
 (B)=4TN86CHT-MJLW6  
 (C)=4TN86CHT-MJLW

(D)=  
 (E)=  
 (F)=



No.	Lev.	Parts No.	Description	Q'ty					
				(A)	(B)	(C)	(D)	(E)	(F)
1	1	129908-77200	ALTERNATOR,	1	1	1			
2	2	129908-77710	BEARING, BALL FR	1	1	1			
3	2	129908-77720	ROTOR	1	1	1			
4	2	129908-77730	BEARING, BALL RR	1	1	1			
5	2	129908-77740	RECTIFIER	1	1	1			
6	2	129908-77750	REGULATOR	1	1	1			
7	2	129908-77760	STATOR	1	1	1			
8	2	129908-77770	PROTECTOR	1	1	1			
9	1	129908-77220	BOLT, STOPPER M10	1	1	1			
10	1	129A20-77350	PIECE, DISTANCE	1	1	1			
11	1	26306-100002	NUT, M10	1	1	1			
12	1	129C22-77300	ADJUSTER, BELT	1	1	1			
13	1	119624-77351	BLOCK ASSY, ADJUSTER	1	1	1			
15	2	26106-081004	BOLT, M8X100 PLATED	1	1	1			
16	2	26306-080002	NUT, M8	1	1	1			
17	1	26106-080452	BOLT, M8X 45 PLATED	2	2	2			

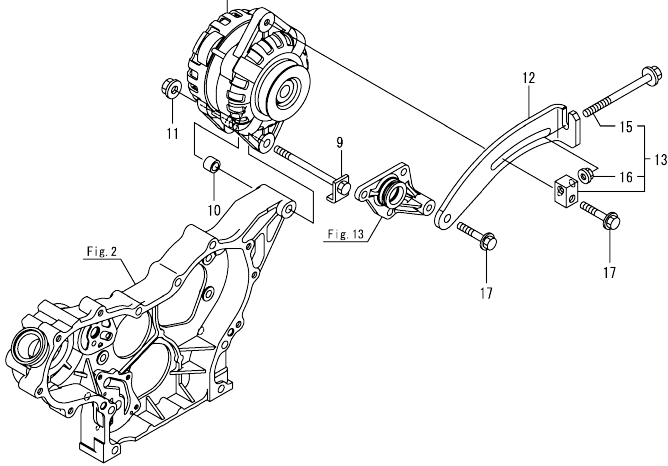
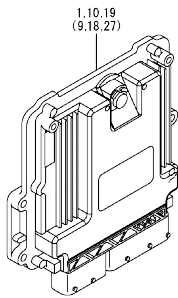


Fig.19. ELECTRONIC CONTROL UNIT(ECU)

(A)=4TN86CHT-MJLW5  
 (B)=4TN86CHT-MJLW6  
 (C)=4TN86CHT-MJLW

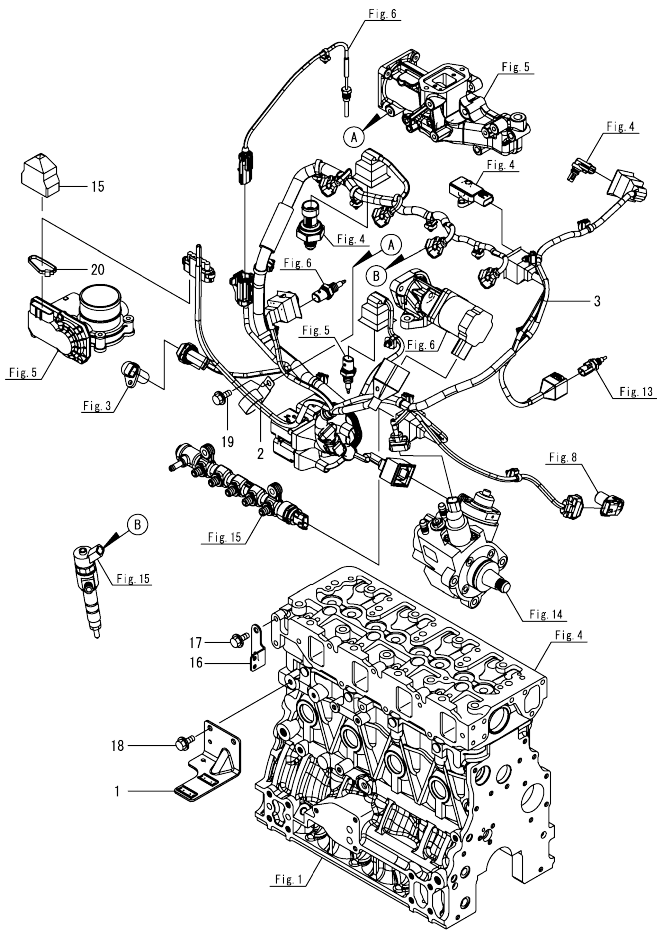
(D)=  
 (E)=  
 (F)=

No.	Lev.	Parts No.	Description	Q'ty						I	R
				(A)	(B)	(C)	(D)	(E)	(F)		
1	1	129C72-75011	ECU ASSY	1							1
9	1	129A00-75910	ECU ASSY,SERVICE YMR	1							2
10	1	129C72-75020	ECU ASSY		1						1
18	1	129A00-75960	ECU CMP(SERVICE CL		1						2
19	1	129C72-75030	ECU ASSY					1			1
27	1	129A00-75920	ECU ASSY, SERVICE JD					1			2



Remarks  
 (1)Eco ECU  
 This part cannot be ordered.  
 Replace the part using a Service ECU with the proper engine information installed.  
 (2)Service ECU  
 If the proper information is not installed, the engine will not operate.  
 To install proper information, go to an authorized distributor.

Fig.20. ELECTRIC PARTS



(A)=4TN86CHT-MJLW5  
(B)=4TN86CHT-MJLW6  
(C)=4TN86CHT-MJLW

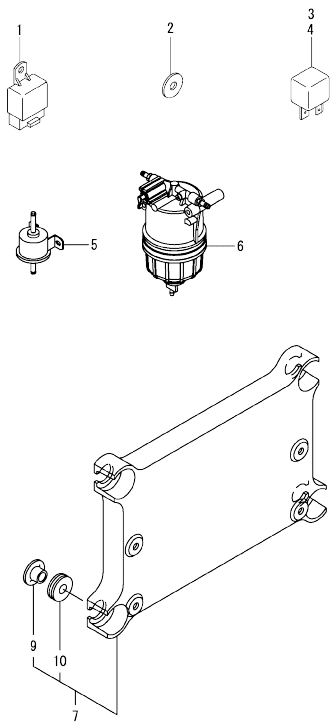
(D)=  
(E)=  
(F)=

No.	Lev.	Parts No.	Description	Q'ty						I	R
				(A)	(B)	(C)	(D)	(E)	(F)		
1	1	129A00-77930	BRACKET, CONNECTOR	1	1	1					
2	1	129928-79700	CLAMP, 150-M8	1	1	1					
3	1	129C05-91401	HARNESS, T4 ENGINE	1	1	1					
15	1	129A00-91451	BOOT, CAP TYPE	1	1	1					
16	1	129A00-91600	BRACKET, HARNESS	1	1	1					
17	1	26106-080122	BOLT, M8X 12 PLATED	2	2	2					
18	1	26106-080122	BOLT, M8X 12 PLATED	2	2	2					
19	1	26106-080122	BOLT, M8X 12 PLATED	1	1	1					
20	1	29621-200000	BAND	1	1	1					



OCD50-M06761 ENGINE  
 Fig.21. ACCESSORY

OCD50-M06761 Fig.21

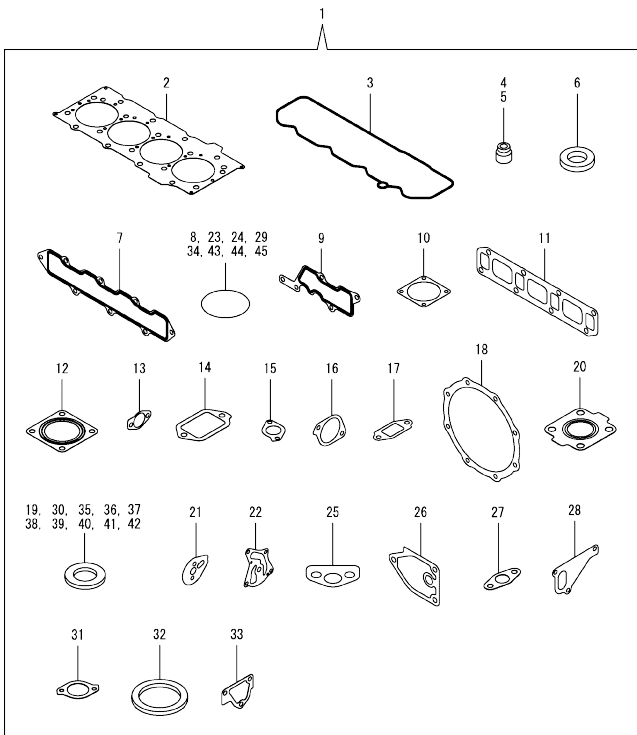


(A)=4TN86CHT-MJLW5  
 (B)=4TN86CHT-MJLW6  
 (C)=4TN86CHT-MJLW

(D)=  
 (E)=  
 (F)=

No.	Lev.	Parts No.	Description	Q'ty						I	R
				(A)	(B)	(C)	(D)	(E)	(F)		
1	1	172B02-17150	RELAY, CA TYPE C	1	1	1					
1-1	1	198461-52950	RELAY, CA TYPE C	1	1	1					Q
		(A=2021.08)	(B=2021.08)	(C=2021.08)							
2	1	129927-77690	WASHER, ECU	4	4	4					
3	1	129927-77920	RELAY, ISO 70A	1	1	1					
4	1	129927-77930	RELAY, ISO 40A	1	1	1					
5	1	129612-52100	PUMP, FUEL FEED	1	1	1					
6	1	129C24-55700	FILTER ASSY,FUEL PRE	1	1	1					
7	1	129C20-77610	BRACKET ASSY, ECU	1	1	1					
9	2	129927-77680	COLLAR, CONTROLLER	4	4	4					
10	2	119578-91351	RUBBER, CONTROLLER	4	4	4					

Fig.22. GASKET SET



(A)=4TN86CHT-MJLW5  
(B)=4TN86CHT-MJLW6  
(C)=4TN86CHT-MJLW

(D)=  
(E)=  
(F)=

No.	Lev.	Parts No.	Description	Q'ty						I	R
				(A)	(B)	(C)	(D)	(E)	(F)		
1	1	129C05-92600	PACKING	1	1	1					1
2	2	129C05-01330	GASKET ASSY, HEAD	1	1	1					
3	2	129C00-11310	GASKET, BONNET	1	1	1					
4	2	124460-11340	SEAL, VALVE STEM	4	4	4					
5	2	129A00-11340	SEAL, VALVE STEM	4	4	4					
6	2	129978-11871	GASKET, INJECTOR	4	4	4					
7	2	129C00-12110	GASKET, MANIFOLD	1	1	1					
8	2	129A00-12790	O-RING, TEMP SENSOR	1	1	1					
9	2	129A00-12810	GASKET, COLLECTOR	1	1	1					
10	2	129A00-12910	GASKET, THROTTLE	2	2	2					
11	2	129C00-13110	GASKET, MANIFOLD	1	1	1					
12	2	128300-13230	GASKET, SILENCER	1	1	1					
13	2	129A00-13410	GASKET, EGR COOLER	2	2	2					
14	2	129A00-13720	GASKET, EGR-V SPACER	1	1	1					
15	2	129927-13810	GASKET, EGR PIPE	1	1	1					
16	2	129A00-13910	GASKET, EGR-V INLET	1	1	1					
17	2	129A00-13920	GASKET, EGR-V OUTLET	1	1	1					
18	2	129E00-16600	GASKET, DPF	2	2	2					
19	2	129A00-17311	GASKET, SENSOR	4	4	4					
20	2	129C05-18080	GASKET, TC IN	1	1	1					
21	2	129A00-25210	GASKET, IDLE SHAFT B	1	1	1					
22	2	129486-32020	GASKET, PUMP	1	1	1					
23	2	119609-32040	O-RING, P16	2	2	2					
24	2	119624-32040	O-RING, P12.0	1	1	1					
25	2	129150-35042	GASKET, INLET PIPE	1	1	1					
26	2	129150-35111	GASKET, BRACKET	1	1	1					
27	2	129C05-39690	GASKET, LO PIPE RTRN	1	1	1					
28	2	129486-42021	GASKET, WATER PUMP	1	1	1					
29	2	129486-42140	O-RING, G30	1	1	1					
30	2	124465-44950	GASKET, 16	1	1	1					
31	2	129795-49551	GASKET, COVER	1	1	1					
32	2	129150-49811	GASKET, THERMOSTAT	1	1	1					
33	2	124395-49840	GASKET, THERMOSTAT	1	1	1					
34	2	129A00-51900	O-RING, FUEL PUMP	1	1	1					
35	2	22190-080002	WASHER, SEAL 8	1	1	1					
36	2	22190-100002	WASHER, SEAL 10	2	2	2					
37	2	22190-120002	WASHER, SEAL 12	1	1	1					
38	2	22190-140002	WASHER, SEAL 14	2	2	2					
39	2	22190-220002	WASHER, SEAL 22	1	1	1					
40	2	23414-080000	GASKET, 8X1.0	1	1	1					
41	2	23414-100000	GASKET, 10X1.0	2	2	2					
42	2	23414-120000	GASKET, 12X1.0	2	2	2					
43	2	24311-000120	O-RING, 1AP12.0	3	3	3					
44	2	24311-000320	O-RING, 1AP32.0	2	2	2					
45	2	24321-000600	O-RING, 1AG60.0	1	1	1					

Remarks  
(1)Optional parts.

## Parts No. Index

Parts No.	Fig. No.	Ref. No.	Parts No.	Fig. No.	Ref. No.	Parts No.	Fig. No.	Ref. No.	Parts No.	Fig. No.	Ref. No.
114270-59010	16	17	128300-13230	22	12	129436-35070	11	18	129927-77920	21	3
		22	129001-01250	1	4	129457-49801	13	32	129927-77930	21	4
119131-18320	13	54	129004-03010	4	40	129466-49300	12	19	129928-49420	13	14
119578-91351	21	10	129004-11650	4	7	129486-01670	3	19			41
119609-32040	2	5	129004-34802	11	15	129486-32020	11	13	129928-79700	20	2
	22	23	129004-42040	13	19		22	22	129930-13130	9	3
119620-01750	3	3	129006-44480	11	29	129486-42021	13	18	129940-42320	13	28
119624-32040	2	6	129008-77800	4	86		22	28	129960-03990	13	44
	22	24	129009-11340	4	50	129486-42140	13	20			47
119624-77351	18	13	129044-39610	12	15		22	29			50
119640-01640	3	8	129100-01580	2	2	129509-21000	10	1	129978-11871	4	30
119640-61400	4	57		3	1	129573-22301	10	24		22	6
119761-39450	12	1			15	129601-11241	4	1	129978-17700	7	34
119802-03070	4	41		10	2	129601-11251	4	2	129A00-01550	2	9
119802-11260	4	4	129100-11112	4	24	129601-44770	13	29	129A00-11330	4	49
119802-11270	4	5	129100-42051	13	4	129612-52100	21	5	129A00-11340	4	27
119802-25071	8	28	129103-49301	13	13	129648-01600	3	16		22	5
119803-21200	10	4	129120-42351	13	27	129648-01780	3	18	129A00-11900	4	31
119934-01800	2	11	129136-77011	17	1	129648-35100	11	24	129A00-12711	4	82
120130-11860	4	88	129136-77310	17	2	129648-35150	11	26	129A00-12721	5	5
120270-54410	4	32	129136-77520	17	14	129677-59501	16	9	129A00-12780	4	52
121111-21501	10	11	129150-01200	1	27	129795-01950	2	4	129A00-12790	4	83
121252-39150	12	2	129150-02020	1	6	129795-02412	1	9		22	8
121450-42450	13	37	129150-02450	8	4	129795-11120	4	23	129A00-12810	5	7
121520-34810	11	16	129150-02931	1	24	129795-11180	4	25		22	9
121550-23200	10	30	129150-02941	1	35	129795-21661	10	9	129A00-12820	5	22
121850-21680	10	10	129150-03070	4	42	129795-49551	13	35	129A00-12900	5	23
122780-59100	15	12	129150-11230	4	8		22	31	129A00-12910	5	24
123900-13130	6	25	129150-11280	4	6	129900-77400	17	3		22	10
123907-03100	4	43	129150-11370	4	12	129900-77440	17	6	129A00-13350	6	11
123907-03110	4	44	129150-11750	4	10	129900-77450	17	7		7	24
123907-03120	4	45	129150-11810	4	89	129900-77460	17	9	129A00-13380	4	55
123907-03140	4	46	129150-14200	8	1	129900-77480	17	10	129A00-13400	6	14
123912-33050	11	21	129150-14400	8	2	129900-77500	17	11	129A00-13410	6	15
124060-01050	1	11	129150-35042	11	17	129900-77640	17	19		22	13
124160-01751	2	3		22	25	129908-33010	11	20	129A00-13710	5	16
	4	37	129150-35111	11	27	129908-77200	18	1	129A00-13720	5	17
124160-01910	1	12		22	26	129908-77220	18	9		22	14
		13	129150-35153	11	41	129908-77710	18	2	129A00-13752	6	27
124160-11360	4	38	129150-42290	13	8	129908-77720	18	3	129A00-13851	6	18
124223-39900	12	4	129150-49811	13	33	129908-77730	18	4	129A00-13861	6	19
124240-01871	2	12		22	32	129908-77740	18	5	129A00-13901	6	32
124395-49840	13	21	129350-49530	13	34	129908-77750	18	6	129A00-13910	6	33
	22	33	129400-01730	3	6	129908-77760	18	7		22	16
124460-11340	4	26	129400-77490	17	12	129908-77770	18	8	129A00-13920	6	34
	22	4	129400-77571	17	18	129927-13810	6	29		22	17
124465-44950	13	39	129410-03990	4	79		22	15	129A00-14100	8	6
	22	30	129417-33111	11	23	129927-44900	13	38	129A00-14701	8	8
124550-21600	10	14	129418-18320	6	20	129927-77680	21	9	129A00-14710	8	11
128300-13230	7	1	129436-01780	3	7	129927-77690	21	2	129A00-16610	7	15

## Parts No. Index

Parts No.	Fig. No.	Ref. No.	Parts No.	Fig. No.	Ref. No.	Parts No.	Fig. No.	Ref. No.	Parts No.	Fig. No.	Ref. No.
129A00-17311	7	25	129A01-13601	6	4	129C05-11700	4	13	129E00-13620	6	16
	22	19	129A01-16810	4	66	129C05-12700	4	51	129E00-16600	7	14
129A00-17520	7	30	129A01-49030	11	30	129C05-13100	6	2		22	18
129A00-17570	7	32	129A01-55650	4	67	129C05-13120	6	8	129E00-17310	7	26
129A00-17580	7	33	129A20-77350	18	10	129C05-13300	6	9	129E00-17360	7	27
129A00-21710	3	21	129A23-01500	2	1	129C05-13350	6	22	129E20-16550	7	13
129A00-25050	8	13	129C00-11310	4	48	129C05-13360	4	53	129E20-17700	7	35
129A00-25060	8	21		22	3	129C05-13700	4	56	129E30-12060	4	80
129A00-25080	8	29	129C00-12110	5	1	129C05-16540	7	11	129F01-13600	6	17
129A00-25110	8	14		22	7	129C05-18010	9	1	129F01-13630	6	5
129A00-25120	8	22	129C00-13110	6	1	129C05-18080	9	2	129F01-13650	6	23
129A00-25200	8	25		22	11		22	20	171008-03990	11	31
129A00-25210	8	26	129C00-13800	6	28	129C05-18090	6	24			35
	22	21	129C00-13860	7	6	129C05-22000	10	16	171008-77450	17	8
129A00-25900	8	18	129C00-13870	7	7	129C05-22050	10	18	171008-77510	17	13
129A00-51100	14	2	129C00-14580	8	3	129C05-22900	10	36	171008-77540	17	15
129A00-51110	14	3	129C00-21570	10	12	129C05-22950	10	38	171008-77650	17	20
129A00-51120	14	4	129C00-49610	13	46	129C05-23600	10	31	171008-77660	17	24
129A00-51130	14	5	129C00-57000	15	7	129C05-23610	10	34	171008-77670	17	25
129A00-51200	14	6	129C00-59030	16	16	129C05-23900	10	26	171051-01921	1	5
129A00-51900	14	7	129C00-59810	15	16	129C05-23910	10	33	171056-49120	11	40
	22	34	129C00-59820	15	18	129C05-32000	11	1	172B02-17150	21	1
129A00-53200	15	4	129C00-77820	4	87	129C05-39410	12	20	198461-52950	21	1
129A00-55600	16	1	129C00-91200	7	39	129C05-39450	12	3	22190-080002	2	13
129A00-55610	16	2	129C01-01560	1	1	129C05-39601	12	14		22	35
129A00-55800	16	3	129C01-01600	3	2	129C05-39650	12	21	22190-100002	12	11
129A00-57100	15	8	129C01-03060	4	81	129C05-39690	12	16		22	36
129A00-57200	15	9	129C01-07900	4	73		22	27	22190-120002	13	40
129A00-57210	15	10	129C01-12100	5	3	129C05-39700	12	5		22	37
129A00-59010	16	5	129C01-12150	5	2	129C05-49700	13	53	22190-140002	5	13
129A00-59020	16	12	129C01-13700	5	10	129C05-53100	15	1		22	38
129A00-59040	16	21	129C01-13770	6	6	129C05-91401	20	3	22190-220002	3	10
129A00-59110	5	11	129C01-16220	7	9	129C05-91500	4	62 A		22	39
129A00-59120	5	12	129C01-16680	7	16	129C05-92600	22	1	22217-180000	8	19
129A00-59700	15	14	129C01-16700	7	17	129C20-49350	13	12	22252-000280	10	25
129A00-59820	15	17	129C01-16721	7	18	129C20-77610	21	7	22351-030010	10	7
129A00-59830	15	19	129C01-16740	7	19	129C22-77300	18	12	22351-060012	4	33
129A00-75910	19	9	129C01-16750	7	20	129C23-49620	13	42	22512-070140	8	7
129A00-75920	19	27	129C01-16811	7	2	129C23-49650	13	49		10	5
129A00-75960	19	18	129C01-16820	7	3	129C24-42100	13	1	22857-500100	4	59
129A00-77930	20	1	129C01-16830	7	4	129C24-55700	21	6			60
129A00-91200	6	7	129C01-17510	7	29	129C28-51000	14	1			61
	7	38	129C01-33100	11	22	129C28-53300	15	6	22857-500160	5	14
	16	20	129C05-01330	1	28	129C35-21310	10	8	23000-022000	12	17
129A00-91430	7	40		22	2	129C35-49040	11	34	23000-060000	4	84
129A00-91451	20	15	129C05-02600	1	32	129C35-49090	11	37	23080-007000	16	11
129A00-91600	20	16	129C05-02810	1	29	129C72-16030	7	8	23080-015000	16	8
129A01-07900	4	65	129C05-03080	4	75	129C72-75011	19	1			15
129A01-12800	5	9	129C05-11100	4	22	129C72-75020	19	10	23297-080061	6	10
129A01-12851	5	8	129C05-11351	4	39	129C72-75030	19	19	23414-080000	13	22

## Parts No. Index

Parts No.	Fig. No.	Ref. No.
23414-080000	22	40
23414-100000	12	12
	22	41
23414-120000	6	12
	13	15
	22	42
23887-120002	13	17
24311-000120	4	63
	22	43
24311-000320	2	7
	4	64
	22	44
24321-000600	11	38
	22	45
26106-060102	8	9
26106-060122	6	13
	12	18
26106-060162	4	85
	7	36
26106-060202	5	25
26106-060322	17	29
26106-060402	5	26
	17	30
26106-060552	13	30
26106-060902	5	27
26106-080122	12	13
	13	23
	20	17
		18
		19
26106-080142	7	21
	8	10
26106-080162	2	8
		14
	3	11
	13	24
		31
26106-080202	4	68
		69
		74
	7	37
		41
	11	39
26106-080222	13	36
26106-080252	3	12
	4	34
		70
	6	30
	15	11
26106-080302	4	71

Parts No.	Fig. No.	Ref. No.
26106-080302	14	8
	16	4
26106-080352	2	15
	3	20
	4	35
26106-080402	2	16
	8	27
26106-080452	3	13
	8	17
	13	25
	18	17
26106-080502	3	14
	4	36
	5	6
		18
	6	21
26106-080552	11	19
26106-080602	2	17
	13	26
26106-080752	5	19
26106-080852	2	18
26106-081004	18	15
26106-100202	7	42
26106-120252	17	31
26206-100252	3	4
26206-100302	3	5
26216-060202	5	4
26216-080352	5	15
26216-081052	5	20
26226-080182	4	11
26306-080002	4	72
	5	21
	6	26
		31
		35
	7	22
		43
	9	4
	13	55
	18	16
26306-100002	7	44
	18	11
26366-060002	15	20
26450-060162	3	22
	4	62
	8	12
	11	14
26450-060252	11	14
26776-180002	8	20
27241-120000	1	14
27241-300000	1	10

Parts No.	Fig. No.	Ref. No.
27241-400000	4	21
27310-080001	4	28
29621-200000	20	20
X2114255110	17	5
X2114555500	17	21
X2114955020	17	22
X2130350900	17	4
X2240410100	17	23

Parts No.	Fig. No.	Ref. No.
-----------	----------	----------