

0CD50-M03881EN

P R E F A C E

This parts catalog is the 2nd edition of 4TNV86CHT-MYI2, 4TNV86CHT-MYI2D.

Published : September, 2019

Contents

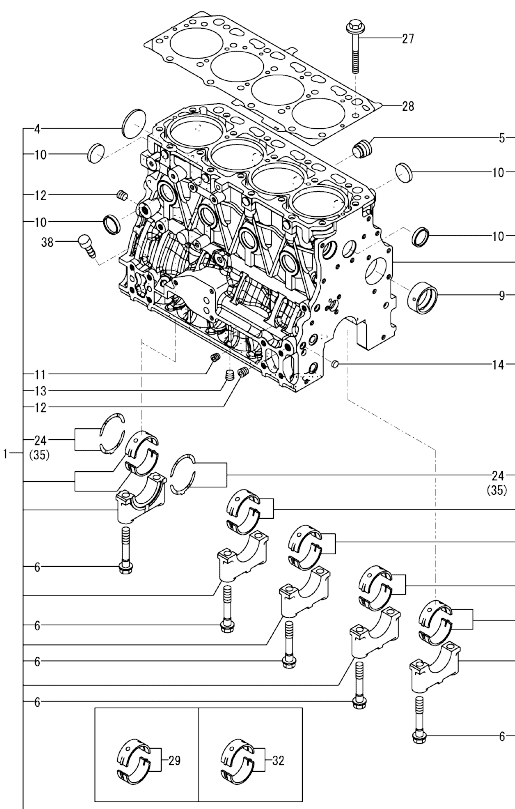
0CD50-M03881

Fig. No.	Fig. Name	Fig. No.	Fig. Name
ENGINE			
1.	CYLINDER BLOCK		
2.	GEAR HOUSING		
3.	FLYWHEEL HOUSING & OIL SUMP		
4.	CYLINDER HEAD & BONNET		
5.	SUCTION MANIFOLD & AIR CLEANER		
6.	EXHAUST MANIFOLD		
7.	DIESEL PARTICULATE FILTER(DPF)		
8.	CAMSHAFT & DRIVING GEAR		
9.	TURBINE		
10.	CRANKSHAFT & PISTON		
11.	LUB. OIL SYSTEM		
12.	LUB. OIL PIPE		
13.	COOLING WATER SYSTEM		
21.	(13A)RADIATOR		
14.	FUEL SUPPLY PUMP		
15.	FUEL INJECTION VALVE		
16.	FUEL PIPE		
17.	STARTER MOTOR		
22.	(17A)GENERATOR		
23.	(17B)GENERATOR		
18.	ELECTRONIC CONTROL UNIT(ECU)		
19.	ELECTRIC PARTS		
20.	ACCESSORY		

Fig.1. CYLINDER BLOCK

(A)=4TNV86CHT-MY12
 (B)=4TNV86CHT-MY12D
 (C)=

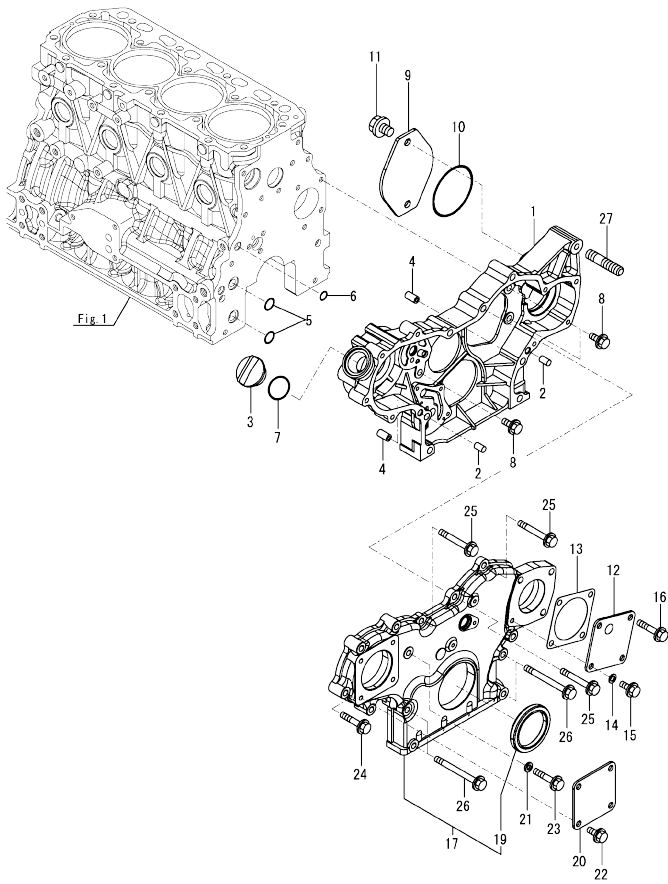
(D)=
 (E)=
 (F)=



No.	Lev.	Parts No.	Description	Q'ty						I	R
				(A)	(B)	(C)	(D)	(E)	(F)		
1	1	129C35-01560	BLOCK ASSY, CYLINDER	1							
4	2	129001-01250	PLUG, 50	1							
5	2	171051-01921	PLUG, NPTF1	1							
6	2	129150-02020	BOLT, METAL CAP	10							
9	2	129795-02412	BUSH, CAMSHAFT	1							
10	2	27241-300000	PLUG 30	8							
11	2	124060-01050	PLUG, PT1/8	1							
12	2	124160-01910	PLUG, PT1/4	2							
13	2	124160-01910	PLUG, PT1/4	1							
14	2	27241-120000	PLUG, 12	1							
24	2	129150-02931	METAL ASSY, THRUST	2							
27	1	129150-01200	BOLT, CYLINDER HEAD	18							
28	1	129C01-01331	GASKET ASSY, HEAD	1							
29	1	129001-02931	METAL ASSY, MAIN	5							1
32	1	129150-02871	METAL ASSY, MAIN .25	5							2
35	1	129150-02941	METAL ASSY, 0.25 OS	1							3
38	1	124976-34850	PLUG	1							

Remarks
 (1)Spare parts.
 (2)Under-sized(U.S.=0.25) parts.
 (3)Over-sized(O.S.=0.25) parts.

Fig.2. GEAR HOUSING

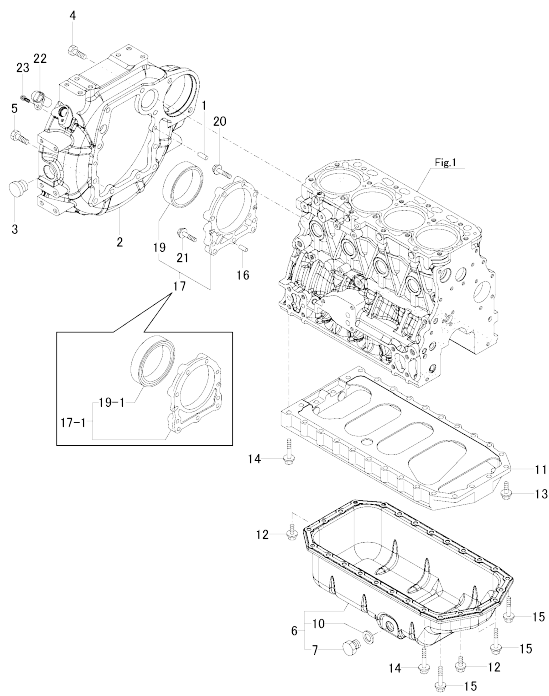


(A)=4TNV86CHT-MY12
(B)=4TNV86CHT-MY12D
(C)=

(D)=
(E)=
(F)=

No.	Lev.	Parts No.	Description	Qty						I	R	
				(A)	(B)	(C)	(D)	(E)	(F)			
1	1	129A88-01500	CASE, GEAR	1								
2	1	129100-01580	PIN, PARALLEL 8X16	2								
3	1	124160-01751	CAP, FILLER	1								
4	1	129795-01950	PIPE, KNOCK L=18	2								
5	1	119609-32040	O-RING, P16	2								
6	1	119624-32040	O-RING, P12.0	1								
7	1	24311-000320	O-RING, 1AP32.0	1								
8	1	26106-080162	BOLT, M8X 16 PLATED	3								
9	1	121023-26071	COVER, PUMP	1								
10	1	24321-000850	O-RING, 1AG85.0	1								
11	1	26106-100202	BOLT, M10X 20 PLATED	2								
12	1	124240-01871	COVER, HYDRAULIC PUMP	1								
13	1	129C26-01890	GASKET, PUMP	1								
14	1	22190-080002	WASHER, SEAL 8	1								
15	1	26106-080142	BOLT, M8X 14 PLATED	1								
16	1	26106-080352	BOLT, M8X 35 PLATED	3								
17	1	129C00-01550	COVER ASSY, CASE	1								
19	2	119934-01800	SEAL, OIL	1								
20	1	124240-01871	COVER, HYDRAULIC PUMP	1								
21	1	22190-080002	WASHER, SEAL 8	1								
22	1	26106-080162	BOLT, M8X 16 PLATED	4								
23	1	26106-080352	BOLT, M8X 35 PLATED	1								
24	1	26106-080402	BOLT, M8X 40 PLATED	5								
25	1	26106-080602	BOLT, M8X 60 PLATED	3								
26	1	26106-080852	BOLT, M8X 85 PLATED	4								
27	1	129795-01900	BOLT, M10X30	1								

Fig.3. FLYWHEEL HOUSING & OIL SUMP



(A)=4TNV86CHT-MY12
(B)=4TNV86CHT-MY12D
(C)=

(D)=
(E)=
(F)=

No.	Lev.	Parts No.	Description	Q'ty						I	R
				(A)	(B)	(C)	(D)	(E)	(F)		
1	1	129100-01580	PIN, PARALLEL 8X16	2							
2	1	129A00-01602	HOUSING, FLYWHEEL	1							
3	1	119620-01750	CAP, WHEEL COVER	1							
4	1	26206-100252	BOLT, M10X 25 PLATED	6							
5	1	26206-100302	BOLT, M10X 30 PLATED	4							
6	1	129688-01780	OIL PAN ASSY	1							
7	2	119640-01640	PLUG, DRAIN M22	1							
10	2	22190-220002	WASHER, SEAL 22	1							
11	1	129400-01730	SPACER, OIL PAN	1							
12	1	26106-080162	BOLT, M8X 16 PLATED	4							
13	1	26106-080252	BOLT, M8X 25 PLATED	2							
14	1	26106-080452	BOLT, M8X 45 PLATED	20							
15	1	26106-080502	BOLT, M8X 50 PLATED	4							
16	1	129100-01580	PIN, PARALLEL 8X16	2							
17	1	129100-01640	CASE ASSY, OIL SEAL	1							
17-1	1	129648-01600	CASE ASSY, OIL SEAL	1							N
		(A=2021.01)									
19	2	129795-01780	SEAL, OIL	1							
19-1	2	129648-01780	SEAL, OIL	1							N
		(A=2021.01)									
20	1	129486-01670	BOLT, M8X30	6							
21	1	26106-080352	BOLT, M8X 35 PLATED	3							
22	1	129A00-21710	SENSOR, FLYWHEEL	1							1
23	1	26450-060162	BOLT, M6X 16	1							

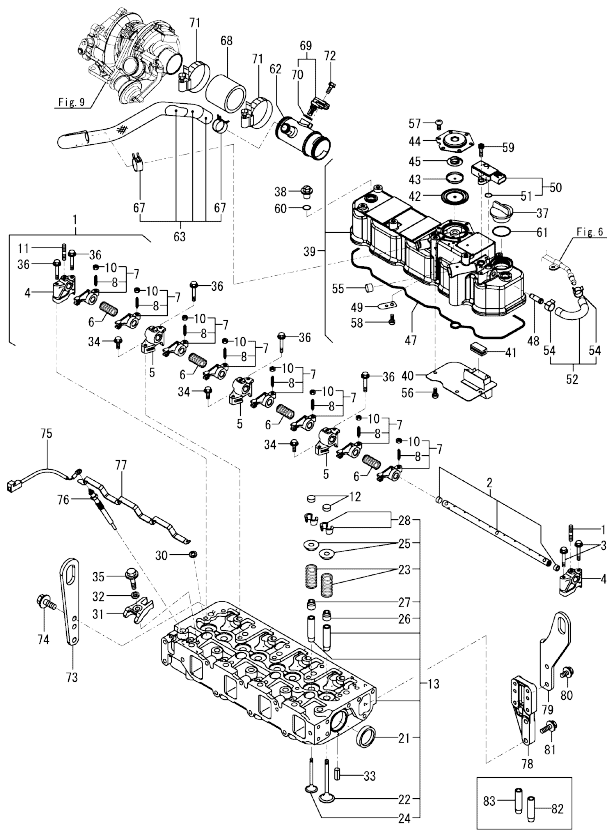
Remarks

(1)When replacing this part, it is necessary to update the software of the ECU using the designated service tool. Please refer to the Service Manual for details.

Fig.4. CYLINDER HEAD & BONNET

(A)=4TNV86CHT-MY12
(B)=4TNV86CHT-MY12D
(C)=

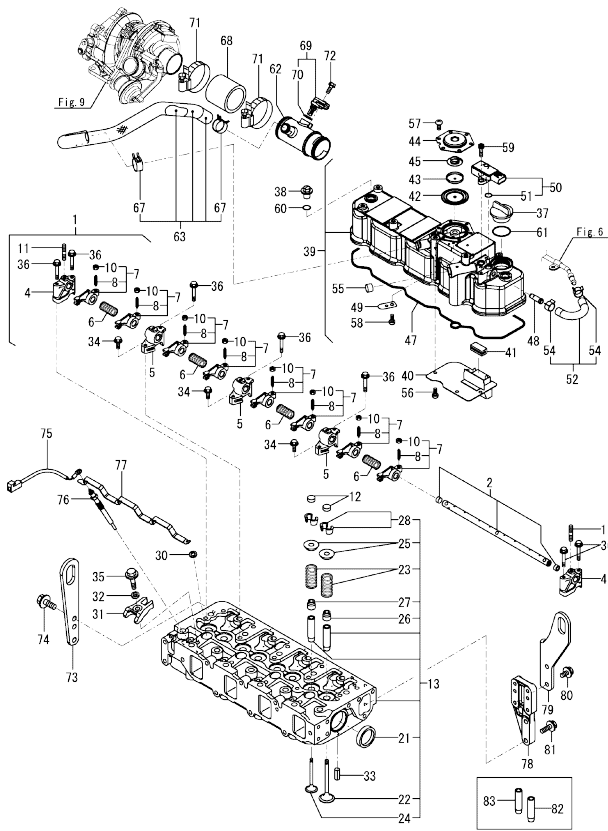
(D)=
(E)=
(F)=



No.	Lev.	Parts No.	Description	Q'ty						I	R
				(A)	(B)	(C)	(D)	(E)	(F)		
1	1	129601-11241	SHAFT ASSY, ROCKER	1							
2	2	129601-11251	SHAFT, ROCKER ARM	1							
4	2	119802-11260	SUPPORT, ROCKER ARM	2							
5	2	119802-11270	SUPPORT, ROCKER ARM	3							
6	2	129150-11280	SPRING, SHAFT	4							
7	2	129004-11650	ARM ASSY, ROCKER	8							
8	3	129150-11230	SCREW, VALVE ADJUST	8							
10	3	129150-11750	NUT, M8XP1.0	8							
11	2	26226-080182	STUD, M8X 18	3							
12	1	129150-11370	CAP, VALVE	8							
13	1	129C01-11700	HEAD ASSY, CYLINDER	1							
21	2	27241-400000	PLUG, 40	2							
22	2	129005-11100	VALVE, INTAKE	4							
23	2	129795-11120	SPRING, VALVE	8							
24	2	129100-11130	VALVE, EXHAUST	4							
25	2	129795-11180	RETAINER, SPRING	8							
26	2	124460-11340	SEAL, VALVE STEM	4							
27	2	129A00-11340	SEAL, VALVE STEM	4							
28	2	27310-080001	COTTER, 8	8							
30	1	129978-11871	GASKET, INJECTOR	4							
31	1	129A00-11900	RETAINER, INJECTOR	4							
32	1	120270-54410	WASHER, INJECTOR	4							
33	1	22351-060012	PIN, SPRING 6.0X12	2							
34	1	26106-080252	BOLT, M8X 25 PLATED	3							
35	1	26106-080352	BOLT, M8X 35 PLATED	4							
36	1	26106-080502	BOLT, M8X 50 PLATED	7							
37	1	124160-01751	CAP, FILLER	1							
38	1	124160-11360	KNOB, BONNET	3							
39	1	129C01-11360	BONNET ASSY, HEAD	1							
40	2	129004-03010	PLATE, BAFFLE	1							
41	2	129150-03070	BAFFLE, BREATHER	1							
42	2	123907-03100	DIAPHRAGM, BREATHER	1							
43	2	123907-03110	PLATE, CENTER	1							
44	2	123907-03120	PLATE, BREATHER	1							
45	2	123907-03140	SPRING, DIAPHRAGM	1							
47	2	129C00-11310	GASKET, BONNET	1							
48	2	129A00-11330	JOINT	1							
49	2	129009-11340	SPRING, PLATE	1							
50	2	129978-12700	SENSOR, PRESSURE	1							1
51	3	129A00-12780	O-RING, EGR SENSOR	2							
52	2	129A00-13360	HOSE ASSY, PRESSURE	1							
54	3	129A00-13380	CLIP, HOSE 14	2							
55	2	119640-61400	PLUG	1							
56	2	22857-500100	SCREW, 5X10	4							
57	2	22857-500100	SCREW, 5X10	6							
58	2	22857-500100	SCREW, 5X10	1							
59	2	26450-060162	BOLT, M6X 16	2							
60	1	24311-000120	O-RING, 1AP12.0	3							
61	1	24311-000320	O-RING, 1AP32.0	1							
62	1	129C01-03060	JOINT, BREATHER	1							
63	1	129C01-03130	HOSE ASSY, BREATHER	1							

Remarks
(1)When replacing this part, it is necessary to update the software of the ECU using the designated service tool.
Please refer to the Service Manual for details.
(2)Spare parts.

Fig.4. CYLINDER HEAD & BONNET



(A)=4TNV86CHT-MY12
(B)=4TNV86CHT-MY12D
(C)=

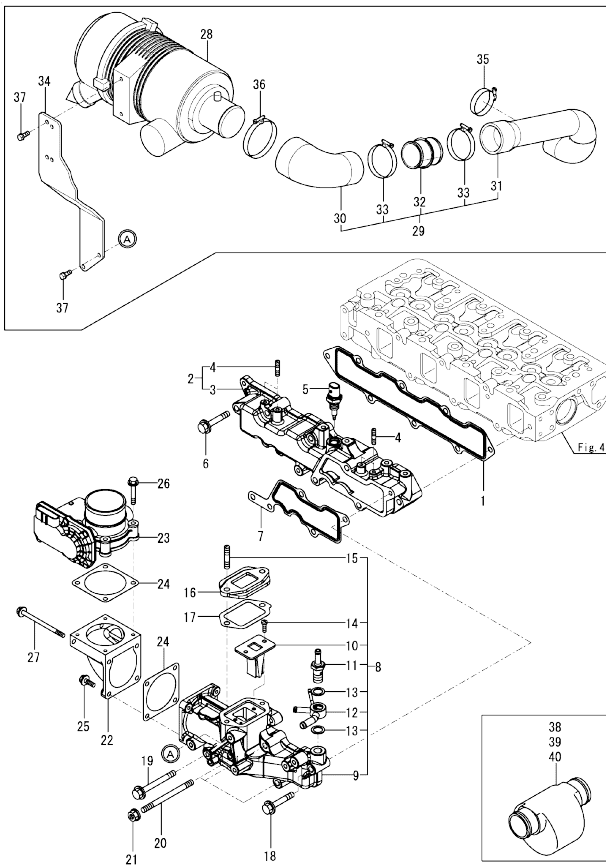
(D)=
(E)=
(F)=

No.	Lev.	Parts No.	Description	Q'ty						I	R
				(A)	(B)	(C)	(D)	(E)	(F)		
67	2	129410-03990	CLAMP, HOSE 21.5	2							
68	1	129C01-12060	HOSE, AIR INTAKE	1							
68-1	1	129E30-12060	HOSE, AIR INTAKE	1							N
(A=2021.01)											
69	1	129A00-12711	SENSOR, TEMPERATURE	1							1
70	2	129A00-12790	O-RING, TEMP SENSOR	1							
71	1	23000-060000	CLAMP, 60	2							
72	1	26106-060162	BOLT, M6X 16 PLATED	1							
73	1	129900-07900	LIFTER, ENGINE	1							
74	1	26106-080162	BOLT, M8X 16 PLATED	2							
75	1	119803-77830	HARNES, WIRE	1							
76	1	129008-77800	PLUG, GLOW	4							
77	1	129C00-77820	CONNECTOR, GLOW PLUG	1							
78	1	129C01-07910	SPACER, LIFTER	1							
79	1	129C32-07920	LIFTER, ENGINE	1							
80	1	26106-080162	BOLT, M8X 16 PLATED	2							
81	1	26106-080252	BOLT, M8X 25 PLATED	2							
82	1	120130-11860	GUIDE, VALVE	4							2
83	1	129150-11810	GUIDE, VALVE	4							2

Remarks

- (1)When replacing this part, it is necessary to update the software of the ECU using the designated service tool. Please refer to the Service Manual for details.
- (2)Spare parts.

Fig.5. SUCTION MANIFOLD & AIR CLEANER



(A)=4TNV86CHT-MY12
(B)=4TNV86CHT-MY12D
(C)=

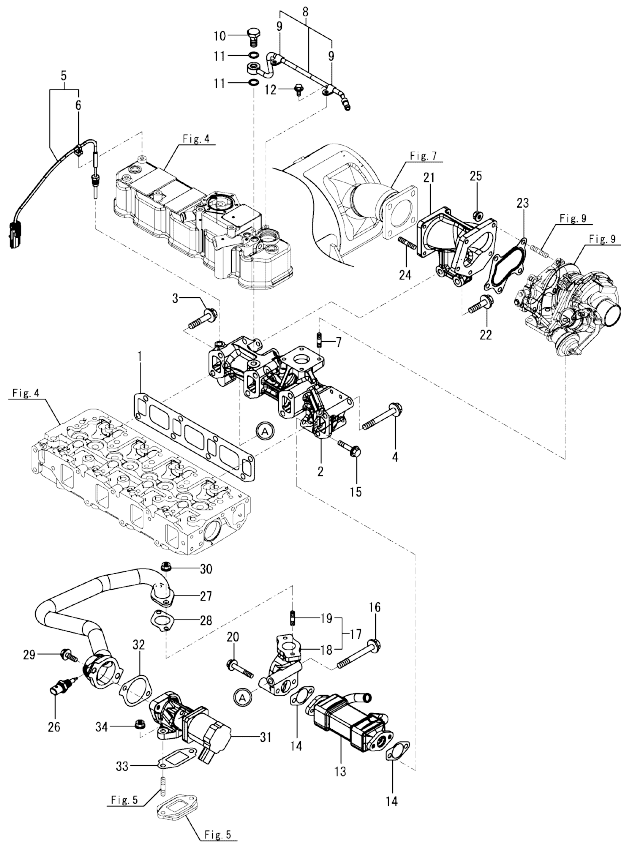
(D)=
(E)=
(F)=

No.	Lev.	Parts No.	Description	Qty						I	R
				(A)	(B)	(C)	(D)	(E)	(F)		
1	1	129C00-12110	GASKET, MANIFOLD	1							
2	1	129C01-12150	MANIFOLD ASSY,INTAKE	1							
3	2	129C01-12100	MANIFOLD, INTAKE	1							
4	2	26216-060202	STUD, M6X 20	4							
5	1	129A00-12721	SENSOR,AIR TEMP	1							1
6	1	26106-080502	BOLT, M8X 50 PLATED	5							
7	1	129A00-12810	GASKET, COLLECTOR	1							
8	1	129A01-12851	COLLECTOR ASSY	1							
9	2	129A01-12800	COLLECTOR, INTAKE	1							
10	2	129C01-13700	VALVE, REED	1							
11	2	129A00-59110	JOINT, HOSE M14	1							
12	2	129A00-59120	JOINT, HOSE 14	1							
13	2	22190-140002	WASHER, SEAL 14	2							
14	2	22857-500160	SCREW, 5X16	2							
15	2	26216-080352	STUD, M8X 35	2							
16	1	129A00-13710	SPACER, EGR VALVE	1							
17	1	129A00-13720	GASKET, EGR-V SPACER	1							
18	1	26106-080502	BOLT, M8X 50 PLATED	1							
19	1	26106-080752	BOLT, M8X 75 PLATED	1							
20	1	26216-081052	STUD, M8X105	3							
21	1	26306-080002	NUT, M8	3							
22	1	129A00-12820	BEND, INTAKE	1							
23	1	129A00-12900	THROTTLE, INTAKE	1							1
24	1	129A00-12910	GASKET, THROTTLE	2							
25	1	26106-060202	BOLT, M6X 20 PLATED	2							
26	1	26106-060402	BOLT, M6X 40 PLATED	4							
27	1	26106-060902	BOLT, M6X 90 PLATED	2							
28	1	129E45-12500	AIR CLEANER ASSY							1	
29	1	129C84-12580	HOSE ASSY, INTAKE 7							1	
30	2	129C84-12560	HOSE, AIR INTAKE 7							1	
31	2	129C84-12570	HOSE, AIR INTAKE 7							1	
32	2	129E45-12580	PIPE, AIR INTAKE							1	
33	2	23000-075000	CLAMP, 75							2	
34	1	129C84-12650	BRACKET, AIR CLEANER							1	
35	1	23000-060000	CLAMP, 60							1	
36	1	23000-090000	CLAMP, 90							1	
37	1	26013-080222	BOLT, M8X 22							4	
38	1	121855-12060	SILENCER, INTAKE							1	
39	1	119005-12060	SILENCER, INTAKE							1	
40	1	119160-12060	SILENCER ASSY,INTAKE							1	

Remarks

(1)When replacing this part, it is necessary to update the software of the ECU using the designated service tool. Please refer to the Service Manual for details.

Fig.6. EXHAUST MANIFOLD



(A)=4TNV86CHT-MY12
(B)=4TNV86CHT-MY12D
(C)=

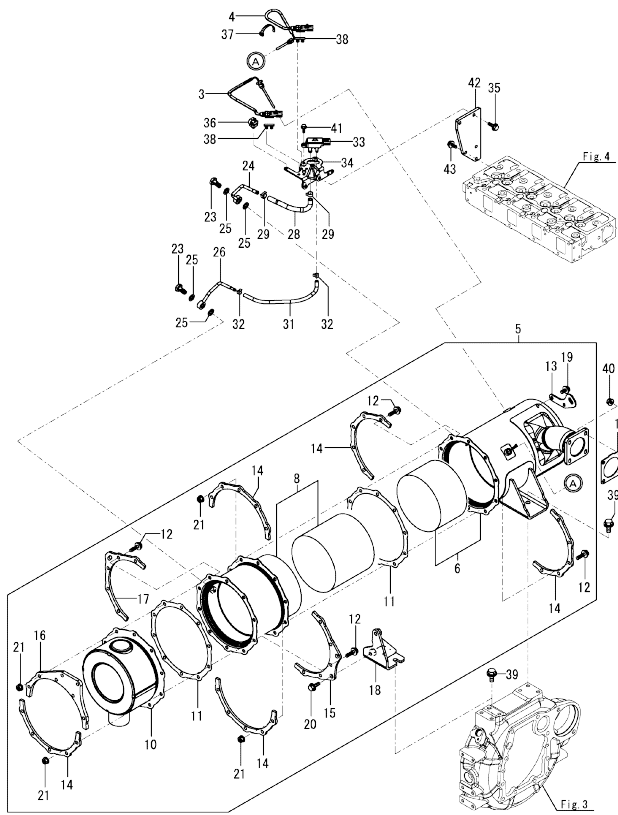
(D)=
(E)=
(F)=

No.	Lev.	Parts No.	Description	Qty						I	R
				(A)	(B)	(C)	(D)	(E)	(F)		
1	1	129C00-13110	GASKET, MANIFOLD	1							
2	1	129C01-13110	MANIFOLD, EXHAUST	1							
3	1	129A01-13601	BOLT, M10X50 10.9T	1							
4	1	129F01-13630	BOLT, M10X80 10.9T	7							
5	1	129C01-13770	SENSOR, TEMPERATURE	1							1
6	2	129A00-91200	CLIP, BAND	1							
7	1	129418-18320	STUD, M8X20	4							
8	1	129A00-13300	PIPE ASSY, PRESSURE	1							
9	2	23297-080061	CLAMP, ABX 6	2							
10	1	129A00-13350	BOLT, PIPE JOINT	1							
11	1	23414-120000	GASKET, 12X1.0	2							
12	1	26106-060122	BOLT, M6X 12 PLATED	2							
13	1	129A00-13400	COOLER, EGR	1							
14	1	129A00-13410	GASKET, EGR COOLER	2							
15	1	129F01-13600	BOLT, M10X90 10.9T	1							
16	1	129E00-13620	BOLT, M8X40 10.9	2							
17	1	129A00-13851	PIPE, EGR OUTLET	1							
18	2	129A00-13861	PIPE, EGR OUTLET	1							
19	2	129418-18320	STUD, M8X20	2							
20	1	26106-080502	BOLT, M8X 50 PLATED	2							
21	1	129C01-13350	PIPE, EXHAUST	1							
22	1	129F01-13650	BOLT, M10X40 10.9T	2							
23	1	129508-18090	GASKET, TURBINE OUT	1							
24	1	119131-18320	STUD, M8X22	4							
25	1	26306-080002	NUT, M8	5							
26	1	129A00-13752	SENSOR, EGR GAS TEMP	1							1
27	1	129C00-13800	PIPE, EGR	1							
28	1	129927-13810	GASKET, EGR PIPE	1							
29	1	26106-080252	BOLT, M8X 25 PLATED	2							
30	1	26306-080002	NUT, M8	2							
31	1	129C00-13901	VALVE, EGR	1							1
32	1	129A00-13910	GASKET, EGR-V INLET	1							
33	1	129A00-13920	GASKET, EGR-V OUTLET	1							
34	1	26306-080002	NUT, M8	2							

Remarks

(1)When replacing this part, it is necessary to update the software of the ECU using the designated service tool. Please refer to the Service Manual for details.

Fig.7. DIESEL PARTICULATE FILTER(DPF)



(A)=4TNV86CHT-MY12
(B)=4TNV86CHT-MY12D
(C)=

(D)=
(E)=
(F)=

No.	Lev.	Parts No.	Description	Q'ty						I	R
				(A)	(B)	(C)	(D)	(E)	(F)		
1	1	129930-13201	GASKET, SILENCER	1							
3	1	129C00-13940	SENSOR, EXH. TEMP.	1							1
3-1	1	129C00-13860	SENSOR, ATD TEMP.DS+	1							N 1
(A=E21142)											
4	1	129C00-13950	SENSOR, EXH. TEMP.	1							1
4-1	1	129C00-13870	SENSOR, ATD TEMP.DS+	1							N 1
(A=E21142)											
5	1	129C35-16040	DPF ASSY	1							1
6	2	129C35-16200	CASE, DOC	1							1
8	2	129C01-16400	CASE, SOOT FILTER	1							1
10	2	129E00-16500	SILENCER, DPF	1							
11	2	129E00-16600	GASKET, DPF	2							
12	2	129A00-16610	BOLT, M8X28 10.9T		20						
13	2	129C01-16680	LIFTER, DPF		1						
14	2	129C01-16700	STIFFENER, DPF A		5						
15	2	129C01-16710	STIFFENER, DPF B		1						
16	2	129C01-16730	STIFFENER, DPF C		1						
17	2	129C01-16740	STIFFENER, DPF C		1						
18	2	129C01-16800	STAY, DPF		1						
19	2	26106-080142	BOLT, M8X 14 PLATED		2						
20	2	26106-100222	BOLT, M10X 22 PLATED		2						
21	2	26306-080002	NUT, M8		20						
23	1	129A00-13350	BOLT, PIPE JOINT		2						
24	1	129E00-17300	PIPE ASSY, PRESSURE		1						
25	1	129A00-17311	GASKET, SENSOR		4						
26	1	129E00-17350	PIPE ASSY, PRESSURE		1						
28	1	129E22-17510	HOSE, PRES EXH		1						
29	1	129A00-17520	CLIP, HOSE		2						
31	1	129E22-17560	HOSE, PRES EXH		1						
32	1	129A00-17570	CLIP, HOSE		2						
33	1	129978-17700	SENSOR, PRESSURE		1						1
34	1	129A00-17760	BRACKET, SENSOR		1						
35	1	26106-080202	BOLT, M8X 20 PLATED		2						
36	1	129A00-91200	CLIP, BAND		1						
37	1	129C00-91200	BAND		1						
38	1	129A00-91430	CLIP, CONNECTOR		2						
39	1	26106-100202	BOLT, M10X 20 PLATED		4						
40	1	26306-080002	NUT, M8		4						
41	1	26106-060162	BOLT, M6X 16 PLATED		2						
42	1	129C32-17710	BRACKET, PRES SENSOR		1						
43	1	26106-080162	BOLT, M8X 16 PLATED		3						

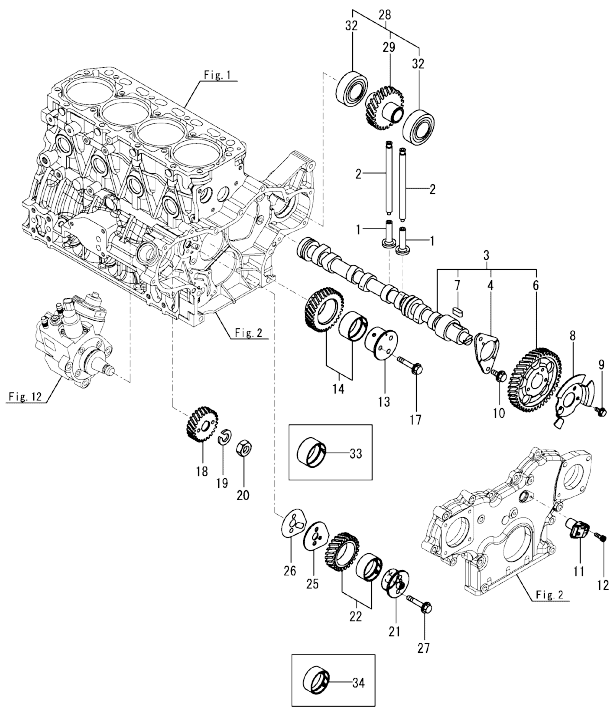
Remarks

(1)When replacing this part, it is necessary to update the software of the ECU using the designated service tool. Please refer to the Service Manual for details.

Fig.8. CAMSHAFT & DRIVING GEAR

(A)=4TNV86CHT-MY12
 (B)=4TNV86CHT-MY12D
 (C)=

(D)=
 (E)=
 (F)=



No.	Lev.	Parts No.	Description	Q'ty						I	R
				(A)	(B)	(C)	(D)	(E)	(F)		
1	1	129150-14200	TAPPET	8							
2	1	129150-14400	ROD, PUSH L=178	8							
3	1	129C00-14580	CAMSHAFT ASSY	1							
4	2	129150-02450	METAL, THRUST	1							
6	2	129A00-14100	GEAR, CAMSHAFT	1							
7	2	22512-070140	KEY, 7X 14	1							
8	1	129A00-14700	PULSER, CAMSHAFT	1							
9	1	26106-060102	BOLT, M6X 10 PLATED	3							
10	1	26106-080142	BOLT, M8X 14 PLATED	2							
11	1	129A00-14710	SENSOR, ROTATION	1							
12	1	26450-060162	BOLT, M6X 16	1							
13	1	129A00-25050	SHAFT, IDLE GEAR A	1							
14	1	129A00-25110	GEAR ASSY, IDLE A	1							
17	1	26106-080452	BOLT, M8X 45 PLATED	3							
18	1	129A00-25900	GEAR, SUPPLY PUMP	1							
19	1	22217-180000	WASHER, SPRING 18	1							
20	1	26776-180002	NUT, LOCK M18	1							
21	1	129A00-25060	SHAFT, IDLE GEAR B	1							
22	1	129A00-25120	GEAR ASSY, IDLE B	1							
25	1	129A00-25200	PLATE, IDLE SHAFT B	1							
26	1	129A00-25210	GASKET, IDLE SHAFT B	1							
27	1	26106-080402	BOLT, M8X 40 PLATED	2							
28	1	129A88-26000	DRIVE ASSY, PUMP	1							
29	2	129484-26210	GEAR ASSY, PUMP	1							
32	2	24105-060064	BEARING, BALL 6006Z	2							
33	1	119802-25071	BUSH, IDLE GEAR	1							1
34	1	129A00-25080	BUSH, IDLE GEAR B	1							1

Remarks
 (1)Spare parts.

OCD50-M03881 ENGINE
 Fig.9. TURBINE

OCD50-M03881 Fig.9

(A)=4TNV86CHT-MY12
 (B)=4TNV86CHT-MY12D
 (C)=

(D)=
 (E)=
 (F)=

No.	Lev.	Parts No.	Description	Q'ty					
				(A)	(B)	(C)	(D)	(E)	(F)
1	1	129C01-18011	TURBOCHARGER, RHF4	1					
2	1	129508-18080	GASKET, TURBINE IN	1					
3	1	119131-18320	STUD, M8X22	5					
4	1	26306-080002	NUT, M8	4					

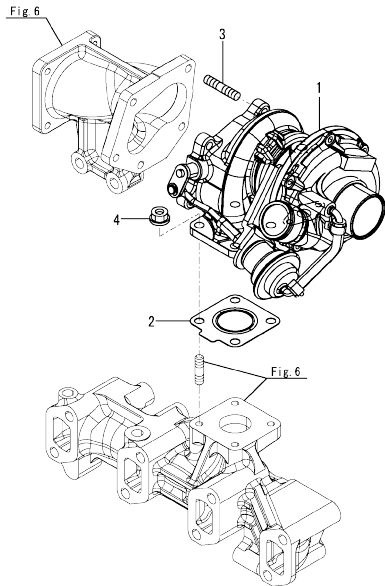
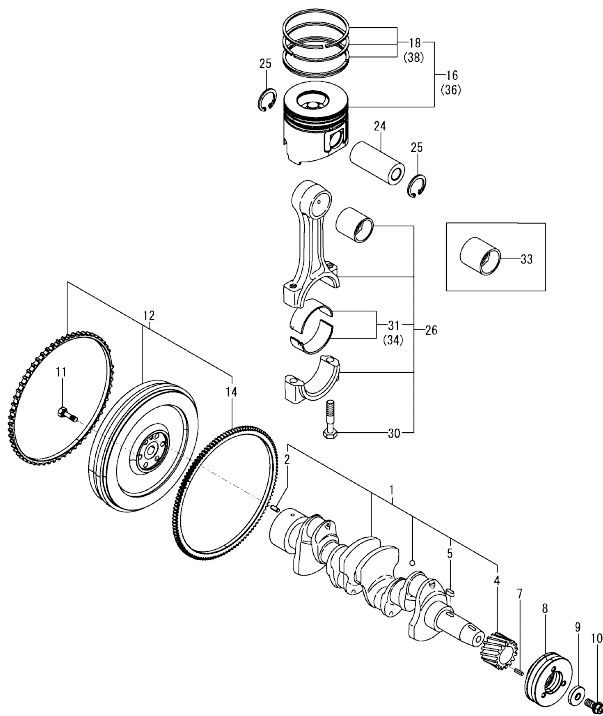


Fig.10. CRANKSHAFT & PISTON



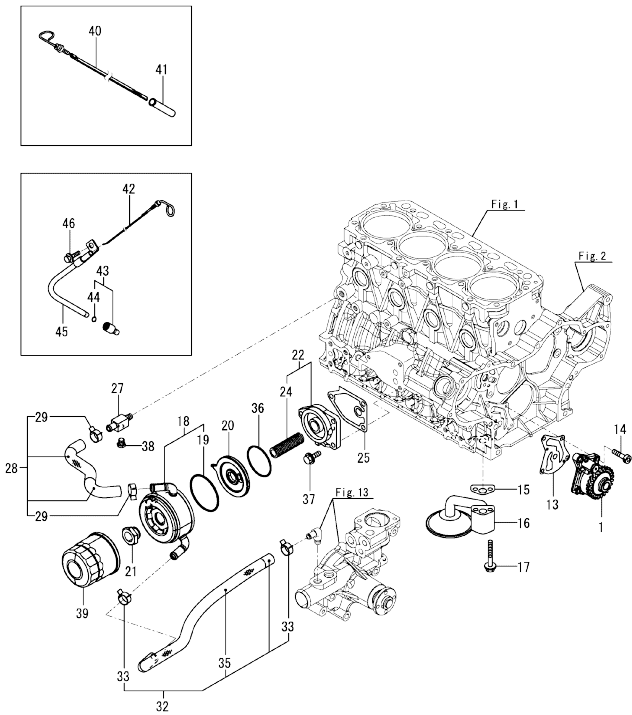
(A)=4TNV86CHT-MY12
 (B)=4TNV86CHT-MY12D
 (C)=

(D)=
 (E)=
 (F)=

No.	Lev.	Parts No.	Description	Q'ty						I	R
				(A)	(B)	(C)	(D)	(E)	(F)		
1	1	129509-21000	CRANKSHAFT ASSY	1							
2	2	129100-01580	PIN, PARALLEL 8X16	1							
4	2	119803-21200	GEAR, CRANKSHAFT	1							
5	2	22512-070140	KEY, 7X 14	1							
7	1	22351-030010	PIN, SPRING 3.0X10	1							
8	1	129558-21660	V-PULLEY, CRANKSHAFT	1							
9	1	129795-21661	WASHER, 14	1							
10	1	121850-21680	BOLT, V-PULLEY	1							
11	1	121111-21501	BOLT, FLYWHEEL	6							
12	1	129C34-21580	FLYWHEEL ASSY	1							
14	2	119865-21600	GEAR, RING Z=116	1							
16	1	129A01-22080	PISTON ASSY	4							
18	2	129A01-22500	RING SET, PISTON	4							
24	1	129202-22300	PIN, PISTON D26 L70	4							
25	1	22252-000260	RING, 26	8							
26	1	729402-23100	ROD ASSY, CONNECTING	4							
30	2	121550-23200	BOLT, CONNECTING ROD	8							
31	2	129150-23601	METAL ASSY, CRANK PIN	4							
33	1	129100-23910	METAL, PISTON PIN	4							1
34	1	129150-23611	METAL, CRANK PIN .25	4							2
36	1	129A01-22900	PISTON ASSY, 0.25 OS	4							3
38	2	129A01-22950	RING SET, PISTON .25	4							3

Remarks
 (1) Spare parts.
 (2) Under-sized (U.S.=0.25) parts.
 (3) Over-sized (O.S.=0.25) parts.

Fig.11. LUB. OIL SYSTEM



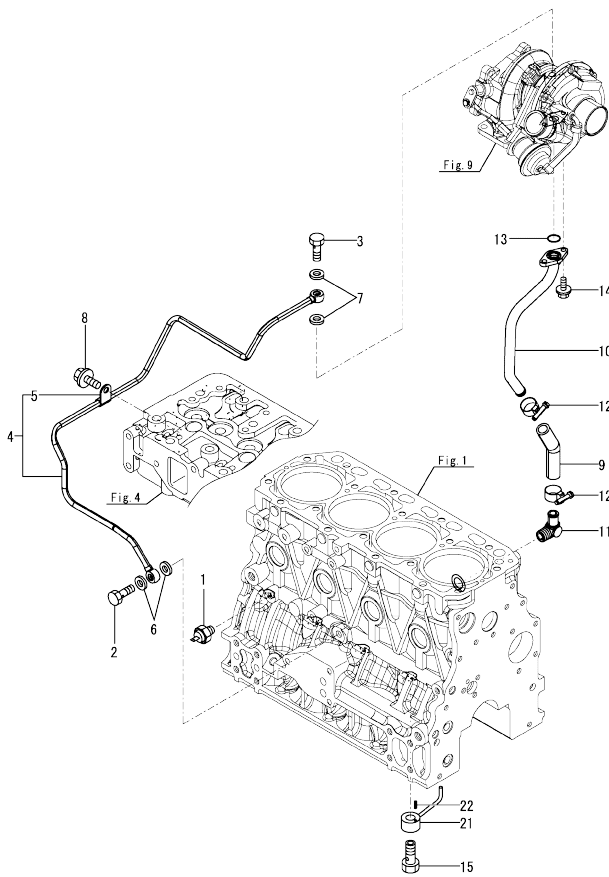
(A)=4TNV86CHT-MY12
(B)=4TNV86CHT-MY12D
(C)=

(D)=
(E)=
(F)=

No.	Lev.	Parts No.	Description	Q'ty						I	R
				(A)	(B)	(C)	(D)	(E)	(F)		
1	1	129A01-32000	PUMP ASSY, OIL	1							
13	1	129486-32020	GASKET, PUMP	1							
14	1	26450-060252	BOLT, M6X 25	4							
15	1	129150-35042	GASKET, INLET PIPE	1							
16	1	129436-35070	PIPE ASSY, OIL INLET	1							
17	1	26106-080552	BOLT, M8X 55 PLATED	2							
18	1	129908-33010	COOLER ASSY, OIL	1							
19	2	123912-33050	O-RING	1							
20	1	129C01-33100	BRACKET, COOLER	1							
21	1	129417-33111	NUT, OIL COOLER	1							
22	1	129648-35100	BRACKET ASSY, FILTER	1							
24	2	129648-35150	STUD	1							
25	1	129150-35111	GASKET, BRACKET	1							
27	1	129006-44480	JOINT, R02	1							
28	1	129A01-49030	PIPE, COOLER INLET	1							
29	2	171008-03990	CLAMP, HOSE 18.5	2							
32	1	129A01-49040	PIPE, COOLER OUTLET	1							
33	2	171008-03990	CLAMP, HOSE 18.5	2							
35	2	129608-49090	TUBE, CORRUGATED	1							
36	1	24321-000600	O-RING, 1AG60.0	1							
37	1	26106-080202	BOLT, M8X 20 PLATED	3							
38	1	171056-49120	PLUG, DRAIN R1/4	1							
39	1	129150-35153	FILTER ASSY, D80X80L	1							1
40	1	129004-34802	DIPSTICK, OIL			1					
41	1	121520-34820	GUIDE, DIPSTICK			1					
42	1	129601-34801	DIPSTICK, OIL			1					
43	1	119260-34840	GUIDE, DIPSTICK			1					
44	2	24316-240100	O-RING, 4DP10A			1					
45	1	129C88-34870	GUIDE, DIPSTICK			1					
46	1	26106-080162	BOLT, M8X 16 PLATED			1					

Remarks
(1)Spare parts.

Fig.12. LUB. OIL PIPE

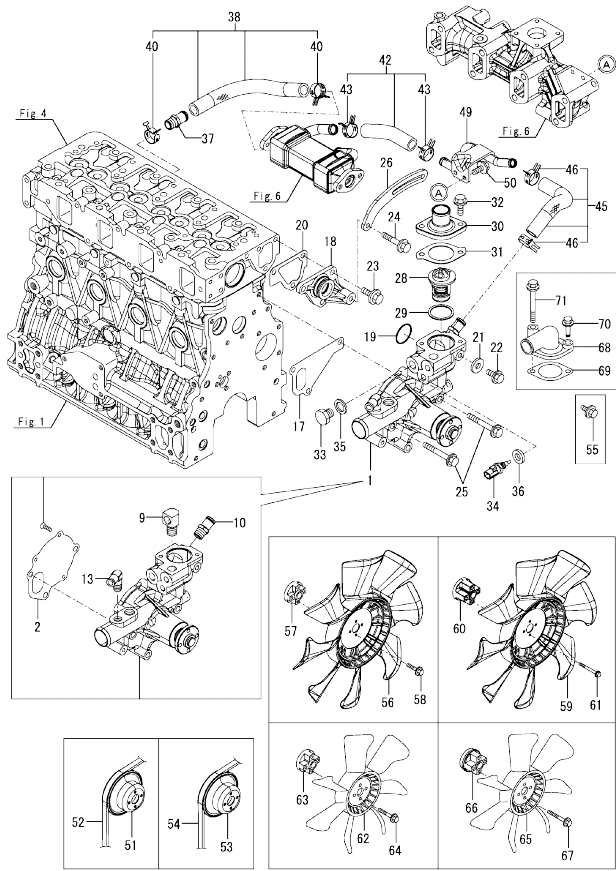


(A)=4TNV86CHT-MY12
(B)=4TNV86CHT-MY12D
(C)=

(D)=
(E)=
(F)=

No.	Lev.	Parts No.	Description	Q'ty						I	R
				(A)	(B)	(C)	(D)	(E)	(F)		
1	1	119761-39450	SWITCH, HYDRAULIC	1							
2	1	124160-39140	BOLT, PIPE JOINT M10	1							
3	1	121252-39150	BOLT, JOINT M10X1.5	1							
4	1	129C01-39450	PIPE ASSY, TURBINE	1							
5	2	124223-39900	RETAINER	1							
6	1	22190-100002	WASHER, SEAL 10	2							
7	1	23414-100000	GASKET, 10X1.0	2							
8	1	26106-080122	BOLT, M8X 12 PLATED	1							
9	1	129044-39610	JOINT, RUBBER	1							
10	1	129C01-39610	PIPE, OIL RETURN	1							
11	1	129466-49300	ELBOW, PT3/8	1							
12	1	23000-022000	CLAMP, 22	2							
13	1	24316-000160	O-RING, 4DP16.0	1							
14	1	26106-060122	BOLT, M6X 12 PLATED	2							
15	1	129792-39410	VALVE ASSY, CHECK	4							
21	1	129553-39650	NOZZLE, COOLING	4							
22	1	22351-030010	PIN, SPRING 3.0X10	4							

Fig.13. COOLING WATER SYSTEM



(A)=4TNV86CMT-MY12
(B)=4TNV86CMT-MY12D
(C)=

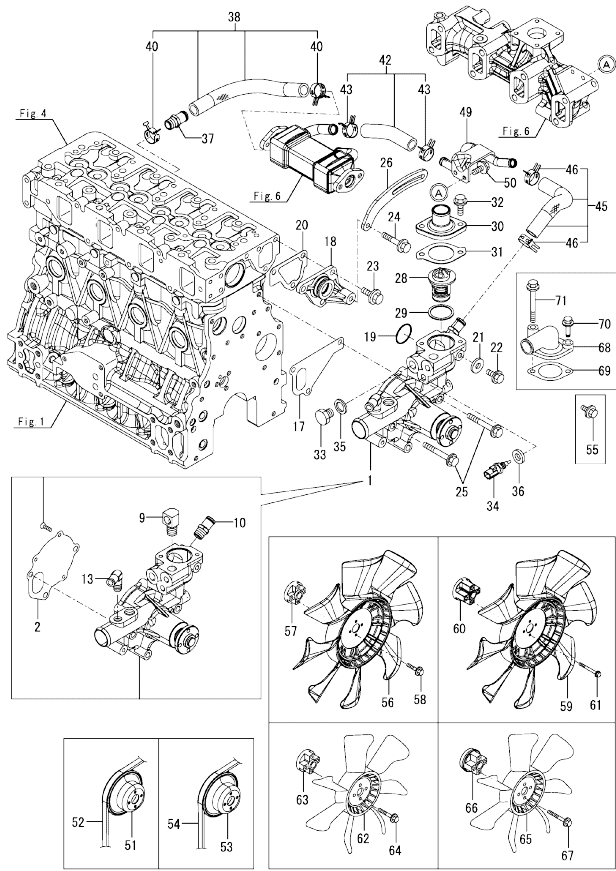
(D)=
(E)=
(F)=

No.	Lev.	Parts No.	Description	Q'ty						I	R
				(A)	(B)	(C)	(D)	(E)	(F)		
1	1	129C35-42010	PUMP ASSY, CW	1							
1-1	1	129C35-42011 (A=E20796)	PUMP ASSY, CW	1							N
2	2	129100-42051	GASKET, WATER PUMP	1							
9	2	129C20-49350	ELBOW, R3/8	1							
10	2	129928-49420	JOINT	1							
13	2	129103-49301	ELBOW, PT1/4	1							
17	1	129486-42021	GASKET, WATER PUMP	1							
18	1	129004-42040	JOINT, WATER PIPE	1							
19	1	129486-42140	O-RING, G30	1							
20	1	124395-49840	GASKET, THERMOSTAT	1							
21	1	23414-080000	GASKET, 8X1.0	1							
22	1	26106-080122	BOLT, M8X 12 PLATED	1							
23	1	26106-080162	BOLT, M8X 16 PLATED	3							
24	1	26106-080452	BOLT, M8X 45 PLATED	1							
25	1	26106-080602	BOLT, M8X 60 PLATED	3							
26	1	119802-77330	ADJUSTER, BELT	1							
28	1	129155-49801	THERMOSTAT, 71C	1							
29	1	129150-49811	GASKET, THERMOSTAT	1							
30	1	129350-49530	COVER, THERMOSTAT	1							
31	1	129795-49551	GASKET, COVER	1							
32	1	26106-080222	BOLT, M8X 22 PLATED	2							
33	1	121450-42450	PLUG, M16	1							
34	1	129927-44900	SENSOR, TEMPERATURE	1							1
35	1	124465-44950	GASKET, 16	1							
36	1	22190-120002	WASHER, SEAL 12	1							
37	1	129928-49420	JOINT	1							
38	1	129A00-49610	PIPE ASSY, EGR-C IN	1							
40	2	129960-03990	CLAMP, HOSE 19.8	2							
42	1	129C00-49610	PIPE ASSY, OUTLET A	1							
43	2	129960-03990	CLAMP, HOSE 19.8	2							
45	1	129C00-49620	PIPE ASSY, OUTLET B	1							
46	2	129960-03990	CLAMP, HOSE 19.8	2							
49	1	129C23-49700	PIPE ASSY, WATER	1							
50	1	26106-080162	BOLT, M8X 16 PLATED	2							
51	1	129120-42351	V-PULLEY, PUMP							1	
52	1	129612-42370	V-BELT, A39.5							1	
53	1	129403-42380	V-PULLEY, PUMP							1	
54	1	25152-003900	V-BELT, A39							1	
55	1	26106-060122	BOLT, M6X 12 PLATED	4							
56	1	129436-44740	FAN, COOLING D=410	1							
57	1	121267-44760	SPACER, FAN 18MM	1							
58	1	26014-060302	BOLT, M6X 30	4							
59	1	129436-44740	FAN, COOLING D=410	1							
60	1	129030-44760	SPACER, FAN L38.5	1							
61	1	26106-060502	BOLT, M6X 50 PLATED	4							
62	1	129655-44740	FAN, COOLING D=380	1							
63	1	171353-44760	SPACER, FAN 25MM	1							
64	1	26106-060402	BOLT, M6X 40 PLATED	4							
65	1	129655-44740	FAN, COOLING D=380	1							
66	1	129030-44760	SPACER, FAN L38.5	1							

Remarks

(1)When replacing this part, it is necessary to update the software of the ECU using the designated service tool. Please refer to the Service Manual for details.

Fig.13. COOLING WATER SYSTEM



(A)=4TNV86CHT-MY12
(B)=4TNV86CHT-MY12D
(C)=

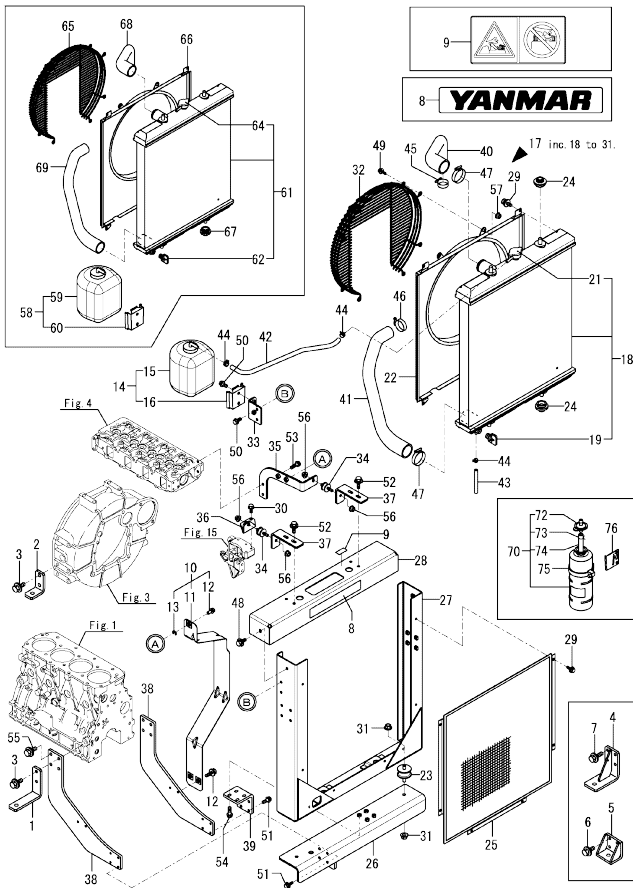
(D)=
(E)=
(F)=

No.	Lev.	Parts No.	Description	Q'ty					
				(A)	(B)	(C)	(D)	(E)	(F)
67	1	26106-060502	BOLT, M6X 50 PLATED		4				
68	1	124101-49531	COVER, THERMOSTAT		1				
69	1	129795-49551	GASKET, COVER		1				
70	1	26106-080282	BOLT, M8X 28 PLATED		1				
71	1	26106-080652	BOLT, M8X 65 PLATED		1				

Remarks

(1)When replacing this part, it is necessary to update the software of the ECU using the designated service tool. Please refer to the Service Manual for details.

Fig.21. (13A)RADIATOR



(A)=4TNV86CHT-MY12
(B)=4TNV86CHT-MY12D
(C)=

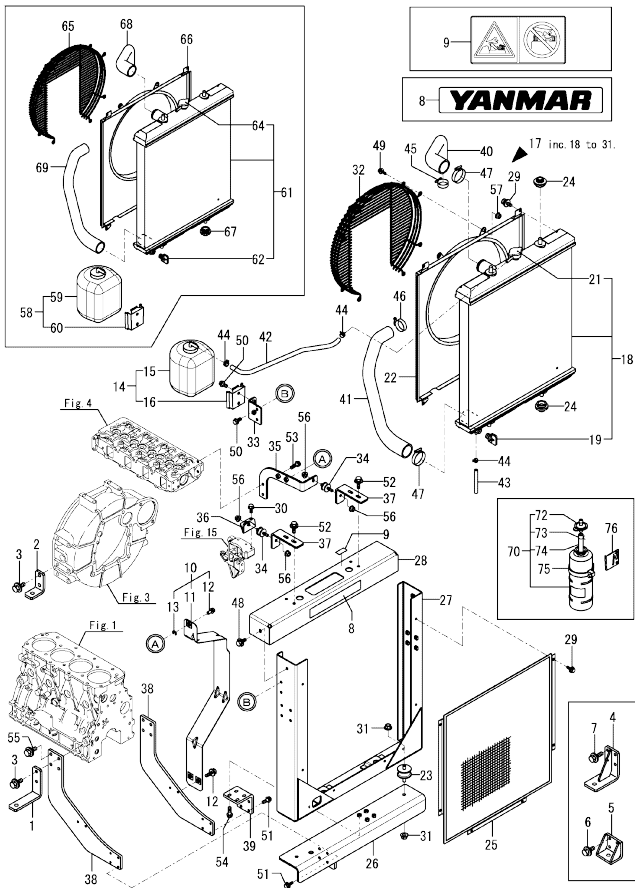
(D)=
(E)=
(F)=

No.	Lev.	Parts No.	Description	Q'ty						I	R
				(A)	(B)	(C)	(D)	(E)	(F)		
1	1	119933-08100	FOOT, MOUNTING A		2						
2	1	119933-08110	FOOT, MOUNTING B		2						
3	1	26106-100202	BOLT, M10X 20 PLATED		8						
4	1	129188-08100	FOOT, MOUNTING A		2						
5	1	119888-08110	FOOT, MOUNTING B		2						
6	1	26106-100202	BOLT, M10X 20 PLATED		8						
7	1	26106-100302	BOLT, M10X 30 PLATED		8						
8	1	129247-07002	LABEL, YANMAR MARK		1						
9	1	129946-07000	LABEL, NO OPEN		1						
10	1	129C32-42810	COVER ASSY, V-BELT		1						
11	2	129C32-42800	COVER, V-BELT		1						
12	2	119746-42820	SCREW, V-BELT COVER		3						
13	2	22276-000060	RING, E- 6		3						
14	1	720445-44200	TANK ASSY, SUB		1						
15	2	120445-44530	TANK, SUB		1						
16	2	120445-44540	BRACKET, SUB TANK		1						
17	1	129C32-44500	RADIATOR ASSY		1						
18	2	129940-44510	RADIATOR ASSY		1						
19	3	129508-44550	COCK ASSY		1						
21	3	129107-44590	CAP, RADIATOR		1						
22	2	129C01-44600	SHROUD		1						
23	2	121400-44650	RUBBER, RADIATOR		2						
24	2	119255-44660	RUBBER, RADIATOR		4						
25	2	129946-44800	SCREEN, RADIATOR		1						
26	2	129C32-44960	BRACKET, B RADIATOR		1						
27	2	129C32-44970	BRACKET, C RADIATOR		1						
28	2	129946-44980	BRACKET, RADIATOR D		1						
29	2	26106-060162	BOLT, M6X 16 PLATED		10						
30	2	26106-080162	BOLT, M8X 16 PLATED		2						
31	2	26366-100002	NUT, M10		4						
32	1	129601-44560	GUARD, FAN		1						
33	1	129C32-44600	BRACKET, SUB TANK		1						
34	1	121400-44640	RUBBER, RADIATOR		2						
35	1	129C32-44910	STAY, A RADIATOR		1						
36	1	129C32-44920	STAY, B RADIATOR		1						
37	1	129946-44940	STAY, RADIATOR C		2						
38	1	129C32-44950	BRACKET, A RADIATOR		2						
39	1	129C32-44990	BRACKET, E RADIATOR		1						
40	1	129C01-49010	PIPE, COOLING WATER		1						
41	1	129C01-49020	PIPE, COOLING WATER		1						
42	1	129426-49150	PIPE, WATER DRAIN		1						
43	1	121520-49160	PIPE, WATER DRAIN B		1						
44	1	124766-59050	CLAMP, HOSE 11.5		3						
45	1	23000-041000	CLAMP, 41		1						
46	1	23000-048000	CLAMP, 48		1						
47	1	23000-060000	CLAMP, 60		2						
48	1	26106-080162	BOLT, M8X 16 PLATED		2						
49	1	26106-080162	BOLT, M8X 16 PLATED		8						
50	1	26106-080162	BOLT, M8X 16 PLATED		4						
51	1	26106-080202	BOLT, M8X 20 PLATED		8						
52	1	26106-080202	BOLT, M8X 20 PLATED		4						

Remarks
(1) Loose parts.

N:Old $\frac{100}{100}$ New, Q:Old $\frac{100}{100}$ New, R:Old $\frac{100}{100}$ New, S:Old $\frac{100}{100}$ New, W:Add, Z:Discontinued, F:Interchangeable by set, K:Q'ty Change
 ++ CONTINUE ++
 Copyright (C) 2019 YANMAR GLOBAL CS CO., LTD. All Rights Reserved.

Fig.21. (13A)RADIATOR



(A)=4TNV86CHT-MY12
(B)=4TNV86CHT-MY12D
(C)=

(D)=
(E)=
(F)=

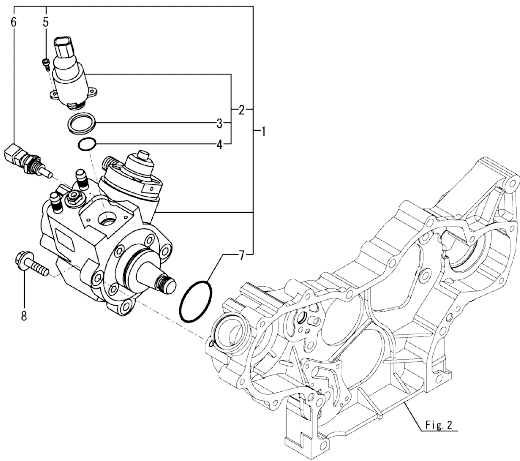
No.	Lev.	Parts No.	Description	Q'ty						I	R
				(A)	(B)	(C)	(D)	(E)	(F)		
53	1	26106-080252	BOLT, M8X 25 PLATED		2						
54	1	26106-080252	BOLT, M8X 25 PLATED		4						
55	1	26106-100222	BOLT, M10X 22 PLATED		8						
56	1	26306-080002	NUT, M8		4						
57	1	26306-080002	NUT, M8		8						
58	1	720445-44200	TANK ASSY, SUB		1						
59	2	120445-44530	TANK, SUB		1						
60	2	120445-44540	BRACKET, SUB TANK		1						
61	1	129940-44510	RADIATOR ASSY		1						
62	2	129508-44550	COCK ASSY		1						
64	2	129107-44590	CAP, RADIATOR		1						
65	1	129601-44560	GUARD, FAN		1						
66	1	129C01-44600	SHROUD		1						
67	1	119255-44660	RUBBER, RADIATOR		4						
68	1	129C01-49010	PIPE, COOLING WATER		1						
69	1	129C01-49020	PIPE, COOLING WATER		1						
70	1	124450-44510	TANK ASSY, SUB		1						1
72	2	124450-44530	CAP, SUB TANK		1						
73	2	124450-44560	CLAMP, PIPE		1						
74	2	23061-070230	PIPE, 7X 230		1						
75	1	124450-44550	BAND, SUB TANK		1						1
76	1	121256-44600	BRACKET, SUB TANK		1						1

Remarks
(1)Loose parts.

Fig.14. FUEL SUPPLY PUMP

(A)=4TNV86CHT-MY12
 (B)=4TNV86CHT-MY12D
 (C)=

(D)=
 (E)=
 (F)=



No.	Lev.	Parts No.	Description	Q'ty						I	R
				(A)	(B)	(C)	(D)	(E)	(F)		
1	1	129A00-51000	PUMP ASSY, FUEL	1							1
1-1	1	129C28-51000	PUMP ASSY, FUEL	1							N 1
(A=E20796)											
2	2	129A00-51100	VALVE ASSY	1							1
3	3	129A00-51110	RING, SEAL	1							
4	3	129A00-51120	O-RING, MPROP	1							
5	2	129A00-51130	BOLT, MPROP	2							
6	2	129A00-51200	SENSOR, TEMPERATURE	1							1
7	2	129A00-51900	O-RING, FUEL PUMP	1							
8	1	26106-080302	BOLT, M8X 30 PLATED	3							

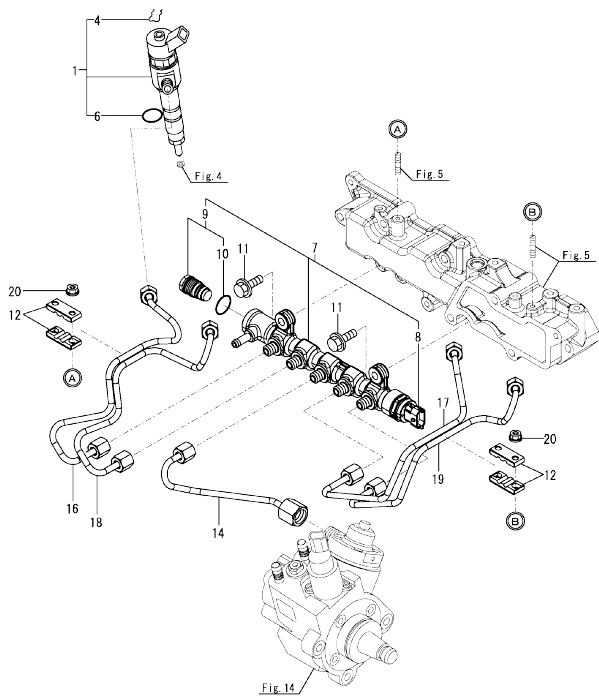
Remarks

(1)When replacing this part, it is necessary to update the software of the ECU using the designated service tool. Please refer to the Service Manual for details.

Fig.15. FUEL INJECTION VALVE

(A)=4TNV86CHT-MYI2
 (B)=4TNV86CHT-MYI2D
 (C)=

(D)=
 (E)=
 (F)=



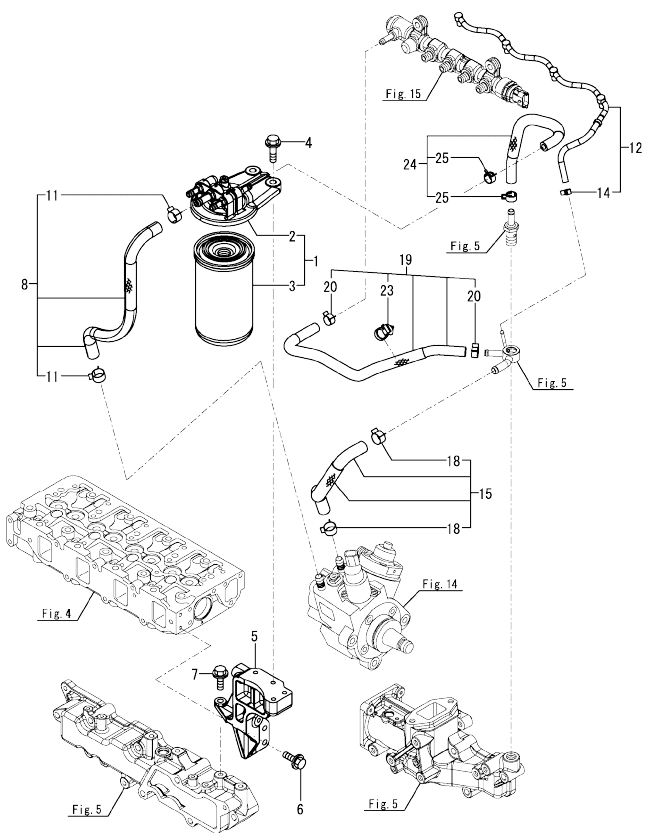
No.	Lev.	Parts No.	Description	Q'ty						I	R
				(A)	(B)	(C)	(D)	(E)	(F)		
1	1	129A01-53100	INJECTOR, CR	4							1
4	2	129A00-53200	RING, RETAINING	4							
6	2	129C28-53300	O-RING	4							
7	1	129C00-57000	COMMON RAIL ASSY	1							1
8	2	129A00-57100	SENSOR, PRESSURE	1							1
9	2	129A00-57200	VALVE ASSY, PLV4	1							1
10	3	129A00-57210	O-RING, PLV4	1							
11	1	26106-080252	BOLT, M8X 25 PLATED	2							
12	1	122780-59100	RETAINER, PIPE	4							
14	1	129A00-59700	PIPE ASSY, RAIL IN	1							
16	1	129C00-59810	PIPE ASSY, INJECTION	1							
17	1	129A00-59820	PIPE ASSY, INJECTION	1							
18	1	129C00-59820	PIPE ASSY, INJECTION	1							
19	1	129A00-59830	PIPE ASSY, INJECTION	1							
20	1	26366-060002	NUT, M6	4							

Remarks

(1)When replacing this part, it is necessary to update the software of the ECU using the designated service tool. Please refer to the Service Manual for details.

OCD50-M03881 ENGINE
Fig.16. FUEL PIPE

OCD50-M03881 Fig.16



(A)=4TNV86CHT-MY12
 (B)=4TNV86CHT-MY12D
 (C)=

(D)=
 (E)=
 (F)=

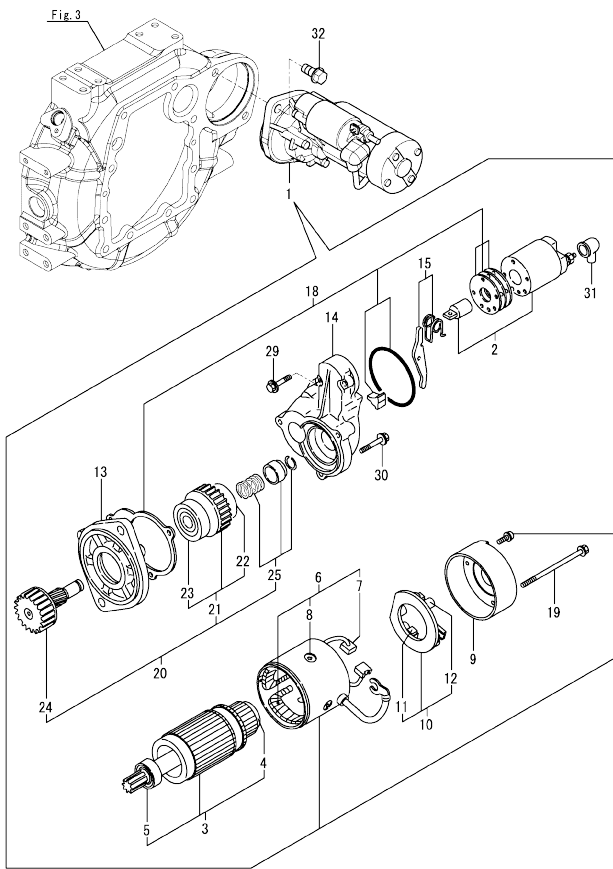
No.	Lev.	Parts No.	Description	Q'ty						I	R
				(A)	(B)	(C)	(D)	(E)	(F)		
1	1	129A00-55600	FILTER ASSY, FUEL	1							
1-1	1	129C00-55600 (A=E20796)	FILTER ASSY, FO	1							N
2	2	129A00-55610	BRACKET ASSY, FILTER	1							
3	2	129A00-55800	FILTER, FUEL	1							
3-1	2	129C00-55800	FILTER, FO	1							N
(A=E20796)											
4	1	26106-080302	BOLT, M8X 30 PLATED	2							
5	1	129C32-55650	BRACKET, FO FILTER	1							
6	1	26106-080202	BOLT, M8X 20 PLATED	2							
7	1	26106-080252	BOLT, M8X 25 PLATED	1							
8	1	129A00-59010	PIPE ASSY, FUEL	1							
11	2	23080-015000	CLAMP, 15	2							
12	1	129677-59501	PIPE ASSY, RETURN	1							
14	2	23080-007000	CLAMP, 7	1							
15	1	129A00-59020	PIPE ASSY, RETURN	1							
18	2	23080-015000	CLAMP, 15	2							
19	1	129C00-59030	PIPE ASSY, RETURN	1							
20	2	114270-59010	CLAMP, HOSE 12	2							
23	2	129A00-91200	CLIP, BAND	1							
24	1	129A00-59040	PIPE ASSY, RETURN	1							
25	2	114270-59010	CLAMP, HOSE 12	2							

N:Old $\frac{100}{100}$ New, Q:Old $\frac{100}{100}$ New, R:Old $\frac{100}{100}$ New, S:Old $\frac{100}{100}$ New, W:Add, Z:Discontinued, F:Interchangeable by set, K:Q'ty Change
 Copyright (C) 2019 YANMAR GLOBAL CS CO., LTD. All Rights Reserved.

Fig.17. STARTER MOTOR

(A)=4TNV86CHT-MY12
(B)=4TNV86CHT-MY12D
(C)=

(D)=
(E)=
(F)=

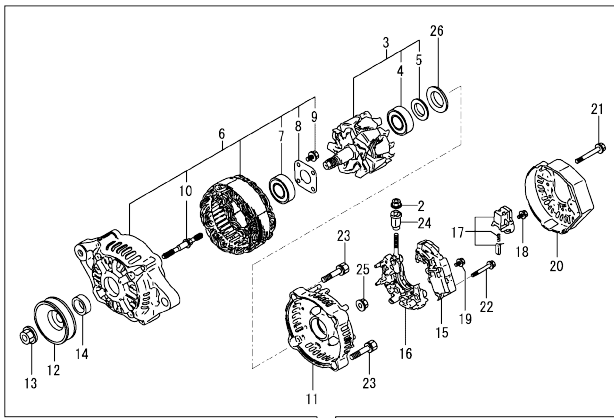


No.	Lev.	Parts No.	Description	Q'ty						I	R
				(A)	(B)	(C)	(D)	(E)	(F)		
1	1	129136-77011	STARTER	1							
2	2	129136-77310	SWITCH ASSY, MAGNET	1							
3	2	129900-77400	ARMATURE ASSY	1							
4	3	X2130350900	BEARING, BALL	1							
5	3	X2114255110	BEARING, BALL	1							
6	2	129900-77440	COIL ASSY, FIELD	1							
7	3	129900-77450	BRUSH, +	2							
8	3	171008-77450	SCREW, CORE SET	4							
9	2	129900-77460	COVER, REAR	1							
10	2	129900-77480	HOLDER ASSY, BRUSH	1							
11	3	129900-77500	BRUSH	2							
12	3	129400-77490	SPRING, BRUSH	4							
13	2	171008-77510	CASE, GEAR	1							
14	2	129136-77520	HOUSING, STARTOR	1							
15	2	171008-77540	LEVER SET, SHIFT	1							
18	2	129400-77571	COVER KIT, DUST	1							
19	2	129900-77640	BOLT, THROUGH	2							
20	2	171008-77650	PINION ASSY,W/CLUTCH	1							
21	3	X2114555500	CLUTCH ASSY	1							
22	4	X2114955020	BEARING, BALL	1							
23	4	X2240410100	BEARING, BALL	1							
24	3	171008-77660	SHAFT, PINION	1							
25	3	171008-77670	STOPPER SET, PINION	1							
29	2	26106-060322	BOLT, M6X 32 PLATED	2							
30	2	26106-060402	BOLT, M6X 40 PLATED	3							
31	2	171008-77750	COVER, TERMINAL	1							
32	1	26106-120252	BOLT, M12X 25 PLATED	2							

Fig.22. (17A)GENERATOR

(A)=4TNV86CHT-MY12
(B)=4TNV86CHT-MY12D
(C)=

(D)=
(E)=
(F)=



No.	Lev.	Parts No.	Description	Qty					
				(A)	(B)	(C)	(D)	(E)	(F)
1	1	119751-77210	ALTERNATOR, 12V-40A	1					
2	2	X9490561001	NUT	1					
3	2	119620-77380	ROTOR ASSY	1					
4	3	123501-79240	BEARING, BALL	1					
5	3	119620-79250	COVER, BEARING	1					
6	2	129052-77422	FRAME ASSY	1					
7	3	119620-79200	BEARING, BALL	1					
8	3	119620-79210	PLATE, RETAINER	1					
9	3	119620-79220	SCREW	4					
10	3	119620-79230	STUD	2					
11	2	119751-77440	FRAME ASSY, REAR	1					
12	2	119620-77461	PULLEY, GENERATOR	1					
13	2	119620-77471	NUT	1					
14	2	119620-77490	COLLAR	1					
15	2	129423-77720	REGULATOR ASSY	1					
16	2	119620-79260	HOLDER ASSY	1					
17	2	129052-79270	HOLDER ASSY, BRUSH	1					
18	2	119620-79290	SCREW	6					
19	2	119620-79300	SCREW	1					
20	2	129240-79300	COVER	1					
21	2	119620-79310	BOLT	3					
22	2	119620-79320	SCREW, W/WASHER	2					
23	2	119620-79330	BOLT	2					
24	2	119620-79340	BUSH, INSULATION	1					
25	2	119620-79350	NUT	2					
26	2	119620-79360	WASHER, THRUST	1					
27	1	119940-77270	SPACER, GENERATOR	1					
28	1	119802-77340	BOLT, ADJUSTER L=40	1					
29	1	26306-100002	NUT, M10	1					

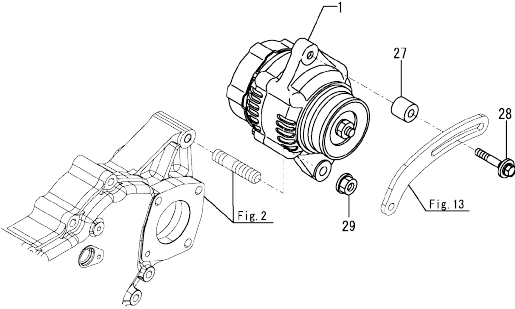
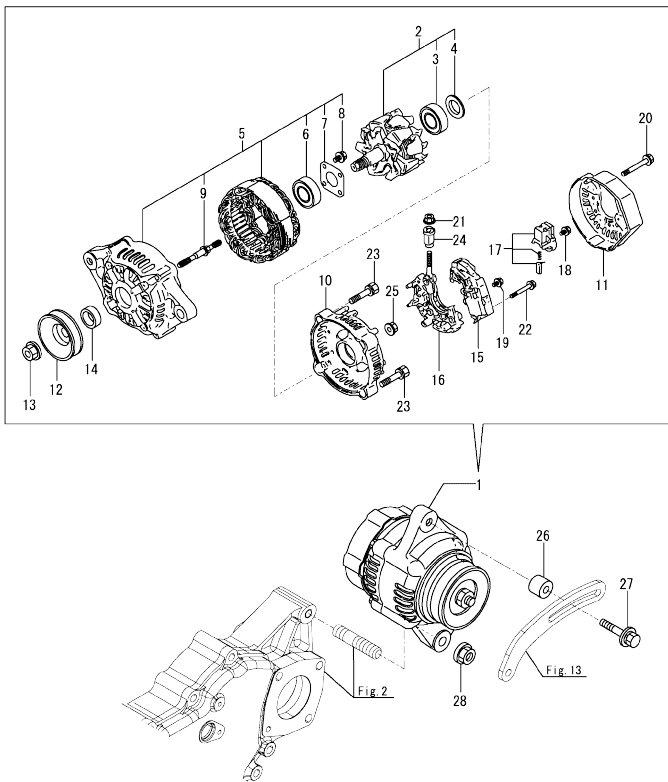


Fig.23. (17B)GENERATOR

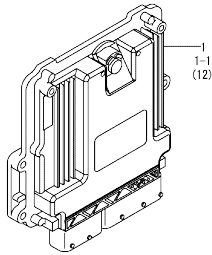


(A)=4TNV86CHT-MY12
(B)=4TNV86CHT-MY12D
(C)=

(D)=
(E)=
(F)=

No.	Lev.	Parts No.	Description	Q'ty					
				(A)	(B)	(C)	(D)	(E)	(F)
1	1	119626-77220	ALTERNATOR, 12V-55A	1					
2	2	129052-77380	ROTOR ASSY	1					
3	3	123501-79240	BEARING, BALL	1					
4	3	119620-79250	COVER, BEARING	1					
5	2	129052-77422	FRAME ASSY	1					
6	3	119620-79200	BEARING, BALL	1					
7	3	119620-79210	PLATE, RETAINER	1					
8	3	119620-79220	SCREW	4					
9	3	119620-79230	STUD	2					
10	2	128401-77440	COVER, END	1					
11	2	119626-77450	COVER, END	1					
12	2	119620-77461	PULLEY, GENERATOR	1					
13	2	119620-77471	NUT	1					
14	2	119620-77490	COLLAR	1					
15	2	129423-77730	REGULATOR ASSY	1					
16	2	129052-79260	HOLDER ASSY	1					
17	2	129052-79270	HOLDER ASSY, BRUSH	1					
18	2	119620-79290	SCREW	6					
19	2	119620-79300	SCREW	1					
20	2	119620-79310	BOLT	3					
21	2	129240-79310	NUT	1					
22	2	119620-79320	SCREW, W/WASHER	2					
23	2	119620-79330	BOLT	2					
24	2	119620-79340	BUSH, INSULATION	1					
25	2	119620-79350	NUT	2					
26	1	119940-77270	SPACER, GENERATOR	1					
27	1	119802-77340	BOLT, ADJUSTER L=40	1					
28	1	26306-100002	NUT, M10	1					

Fig.18. ELECTRONIC CONTROL UNIT(ECU)



(A)=4TNV86CHT-MY12
 (B)=4TNV86CHT-MY12D
 (C)=

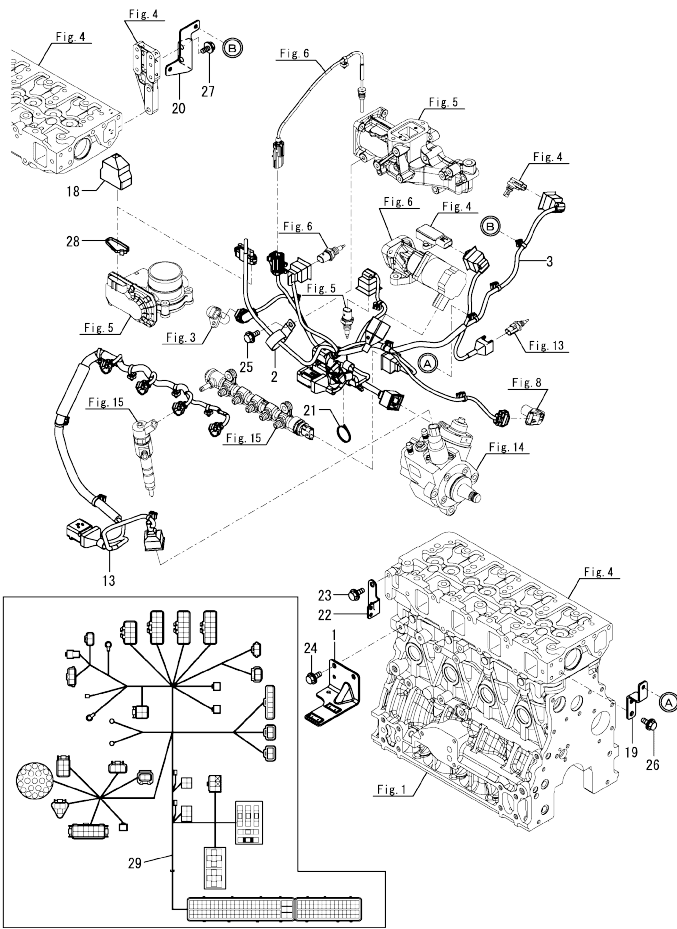
(D)=
 (E)=
 (F)=

No.	Lev.	Parts No.	Description	Q'ty						I	R
				(A)	(B)	(C)	(D)	(E)	(F)		
1	1	129C35-75060	ECU ASSY,486CHT-MY12	1							1
1-1	1	129C35-75061 (A=E20796)	ECU ASSY,486CHT-MY12	1							S 1
12	1	129A00-75910	ECU ASSY,SERVICE YMR	1							2

Remarks

- (1)Eco ECU
 This part cannot be ordered.
 Replace the part using a Service ECU with the proper engine information installed.
- (2)Service ECU
 When replacing this part, it is necessary to update the software of the ECU using the designated service tool.
 Please refer to the Service Manual for details.

Fig.19. ELECTRIC PARTS



(A)=4TNV86CHT-MY12
 (B)=4TNV86CHT-MY12D
 (C)=

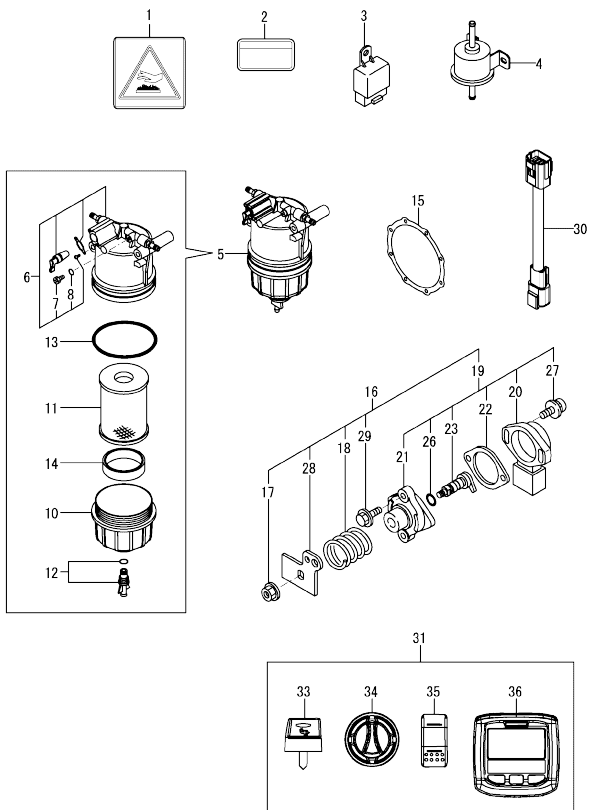
(D)=
 (E)=
 (F)=

No.	Lev.	Parts No.	Description	Q'ty						I	R
				(A)	(B)	(C)	(D)	(E)	(F)		
1	1	129A00-77930	BRACKET, CONNECTOR	1							
2	1	129928-79700	CLAMP, 150-M8	1							
3	1	129C01-91222	HARNESS, B T4	1							
13	1	129C00-91232	HARNESS, C T4	1							
18	1	129A00-91451	BOOT, CAP TYPE	1							
19	1	129A01-91500	BRACKET, HARNESS	1							
20	1	129C01-91500	BRACKET, HARNESS	1							
21	1	29621-100000	BAND, TR100	1							
22	1	129A00-91600	BRACKET, HARNESS	1							
23	1	26106-080122	BOLT, M8X 12 PLATED	2							
24	1	26106-080122	BOLT, M8X 12 PLATED	2							
25	1	26106-080122	BOLT, M8X 12 PLATED	1							
26	1	26106-080122	BOLT, M8X 12 PLATED	2							
27	1	26106-080142	BOLT, M8X 14 PLATED	2							
28	1	29621-200000	BAND	1							
29	1	129C88-91130	HARNESS, A T4			1					

Fig.20. ACCESSORY

(A)=4TNV86CHT-MY12
(B)=4TNV86CHT-MY12D
(C)=

(D)=
(E)=
(F)=



No.	Lev.	Parts No.	Description	Qty						
				(A)	(B)	(C)	(D)	(E)	(F)	
1	1	114220-07130	LABEL, HOT SURFACE	1						
2	1	114110-07761	LABEL, FUEL CAUTION	1						
3	1	172B02-17150	RELAY, CA TYPE C	1						
4	1	129612-52100	PUMP, FUEL FEED	1						
5	1	129A00-55700	FILTER ASSY,FUEL PRE	1						
6	2	129A00-55710	BODY ASSY	1						
7	3	129A00-55751	PLUG, AIR VENT	1						
8	3	129A00-55760	O-RING	1						
10	2	129A00-55720	CUP, CLEAR	1						
11	2	129A00-55730	ELEMENT, FUEL FILTER	1						
12	2	129242-55740	PLUG, DRAIN	1						
13	2	129A00-55740	O-RING	1						
14	2	129A00-55770	FLOAT	1						
15	1	129A00-16600	GASKET, DPF	1						
16	1	129938-77800	SENSOR ASSY, ACCEL.			1				
17	2	194990-22130	NUT, M6				1			
18	2	119060-61990	SPRING, RETURN				1			
19	2	129054-77800	SENSOR ASSY, ACCEL.				1			
20	3	185100-50070	SENSOR, ACCELERATOR				1			
21	3	129054-77811	SUPPORT, SENSOR				1			
22	3	129054-77820	GASKET, SUPPORT				1			
23	3	129054-77830	SHAFT ASSY, SENSOR				1			
26	3	24311-000070	O-RING, 1AP7.0				1			
27	3	26023-040202	SCREW, M4X20				2			
28	2	129938-77810	LEVER, SENSOR				1			
29	2	26106-060122	BOLT, M6X 12 PLATED				2			
30	1	129C88-91140	HARNESS, APS1				1			
31	1	129A88-91300	PANEL ASSY, W/SWITCH				1			
33	2	129A88-91320	KEY				1			
34	2	129A88-91330	SWITCH, KEY				1			
35	2	129A88-91340	SWITCH, SPEED				1			
36	2	129A88-91410	PANEL ASSY, CONTROL				1			

Parts No. Index

Parts No.	Fig. No.	Ref. No.	Parts No.	Fig. No.	Ref. No.	Parts No.	Fig. No.	Ref. No.	Parts No.	Fig. No.	Ref. No.
114110-07761	20	2	119640-01640	3	7	124160-01751	2	3	129103-49301	13	13
114220-07130	20	1	119640-61400	4	55		4	37	129107-44590	21	21
114270-59010	16	20	119746-42820	21	12	124160-01910	1	12			64
		25	119751-77210	22	1			13	129120-42351	13	51
119005-12060	5	39	119751-77440	22	11	124160-11360	4	38	129136-77011	17	1
119060-61990	20	18	119761-39450	12	1	124160-39140	12	2	129136-77310	17	2
119131-18320	6	24	119802-11260	4	4	124223-39900	12	5	129136-77520	17	14
	9	3	119802-11270	4	5	124240-01871	2	12	129150-01200	1	27
119160-12060	5	40	119802-25071	8	33			20	129150-02020	1	6
119255-44660	21	24	119802-77330	13	26	124395-49840	13	20	129150-02450	8	4
		67	119802-77340	22	28	124450-44510	21	70	129150-02871	1	32
119260-34840	11	43		23	27	124450-44530	21	72	129150-02931	1	24
119609-32040	2	5	119803-21200	10	4	124450-44550	21	75	129150-02941	1	35
119620-01750	3	3	119803-77830	4	75	124450-44560	21	73	129150-03070	4	41
119620-77380	22	3	119865-21600	10	14	124460-11340	4	26	129150-11230	4	8
119620-77461	22	12	119888-08110	21	5	124465-44950	13	35	129150-11280	4	6
	23	12	119933-08100	21	1	124766-59050	21	44	129150-11370	4	12
119620-77471	22	13	119933-08110	21	2	124976-34850	1	38	129150-11750	4	10
	23	13	119934-01800	2	19	128401-77440	23	10	129150-11810	4	83
119620-77490	22	14	119940-77270	22	27	129001-01250	1	4	129150-14200	8	1
	23	14		23	26	129001-02931	1	29	129150-14400	8	2
119620-79200	22	7	120130-11860	4	82	129004-03010	4	40	129150-23601	10	31
	23	6	120270-54410	4	32	129004-11650	4	7	129150-23611	10	34
119620-79210	22	8	120445-44530	21	15	129004-34802	11	40	129150-35042	11	15
	23	7		59		129004-42040	13	18	129150-35111	11	25
119620-79220	22	9	120445-44540	21	16	129005-11100	4	22	129150-35153	11	39
	23	8		60		129006-44480	11	27	129150-49811	13	29
119620-79230	22	10	121023-26071	2	9	129008-77800	4	76	129155-49801	13	28
	23	9	121111-21501	10	11	129009-11340	4	49	129188-08100	21	4
119620-79250	22	5	121252-39150	12	3	129030-44760	13	60	129202-22300	10	24
	23	4	121256-44600	21	76			66	129240-79300	22	20
119620-79260	22	16	121267-44760	13	57	129044-39610	12	9	129240-79310	23	21
119620-79290	22	18	121400-44640	21	34	129052-77380	23	2	129242-55740	20	12
	23	18	121400-44650	21	23	129052-77422	22	6	129247-07002	21	8
119620-79300	22	19	121450-42450	13	33			23	129350-49530	13	30
	23	19	121520-34820	11	41	129052-79260	23	16	129400-01730	3	11
119620-79310	22	21	121520-49160	21	43	129052-79270	22	17	129400-77490	17	12
	23	20	121550-23200	10	30			23	129400-77571	17	18
119620-79320	22	22	121850-21680	10	10	129054-77800	20	19	129403-42380	13	53
	23	22	121855-12060	5	38	129054-77811	20	21	129410-03990	4	67
119620-79330	22	23	122780-59100	15	12	129054-77820	20	22	129417-33111	11	21
	23	23	123501-79240	22	4	129054-77830	20	23	129418-18320	6	7
119620-79340	22	24		23	3	129100-01580	2	2			19
	23	24	123907-03100	4	42		3	1	129423-77720	22	15
119620-79350	22	25	123907-03110	4	43			16	129423-77730	23	15
	23	25	123907-03120	4	44			10	129426-49150	21	42
119620-79360	22	26	123907-03140	4	45	129100-01640	3	17	129436-35070	11	16
119624-32040	2	6	123912-33050	11	19	129100-11130	4	24	129436-44740	13	56
119626-77220	23	1	124060-01050	1	11	129100-23910	10	33			59
119626-77450	23	11	124101-49531	13	68	129100-42051	13	2	129466-49300	12	11

Parts No. Index

Parts No.	Fig. No.	Ref. No.
129484-26210	8	29
129486-01670	3	20
129486-32020	11	13
129486-42021	13	17
129486-42140	13	19
129508-18080	9	2
129508-18090	6	23
129508-44550	21	19
	62	
129509-21000	10	1
129553-39650	12	21
129558-21660	10	8
129601-11241	4	1
129601-11251	4	2
129601-34801	11	42
129601-44560	21	32
	65	
129608-49090	11	35
129612-42370	13	52
129612-52100	20	4
129648-01600	3	17 -1
129648-01780	3	19 -1
129648-35100	11	22
129648-35150	11	24
129655-44740	13	62
	65	
129677-59501	16	12
129688-01780	3	6
129792-39410	12	15
129795-01780	3	19
129795-01900	2	27
129795-01950	2	4
129795-02412	1	9
129795-11120	4	23
129795-11180	4	25
129795-21661	10	9
129795-49551	13	31
	69	
129900-07900	4	73
129900-77400	17	3
129900-77440	17	6
129900-77450	17	7
129900-77460	17	9
129900-77480	17	10
129900-77500	17	11
129900-77640	17	19
129908-33010	11	18
129927-13810	6	28
129927-44900	13	34
129928-49420	13	10

Parts No.	Fig. No.	Ref. No.
129928-49420	13	37
129928-79700	19	2
129930-13201	7	1
129938-77800	20	16
129938-77810	20	28
129940-44510	21	18
	61	
129946-07000	21	9
129946-44800	21	25
129946-44940	21	37
129946-44980	21	28
129960-03990	13	40
	43	
	46	
129978-11871	4	30
129978-12700	4	50
129978-17700	7	33
129A00-01602	3	2
129A00-11330	4	48
129A00-11340	4	27
129A00-11900	4	31
129A00-12711	4	69
129A00-12721	5	5
129A00-12780	4	51
129A00-12790	4	70
129A00-12810	5	7
129A00-12820	5	22
129A00-12900	5	23
129A00-12910	5	24
129A00-13300	6	8
129A00-13350	6	10
	7	23
129A00-13360	4	52
129A00-13380	4	54
129A00-13400	6	13
129A00-13410	6	14
129A00-13710	5	16
129A00-13720	5	17
129A00-13752	6	26
129A00-13851	6	17
129A00-13861	6	18
129A00-13910	6	32
129A00-13920	6	33
129A00-14100	8	6
129A00-14700	8	8
129A00-14710	8	11
129A00-16600	20	15
129A00-16610	7	12
129A00-17311	7	25
129A00-17520	7	29

Parts No.	Fig. No.	Ref. No.
129A00-17570	7	32
129A00-17760	7	34
129A00-21710	3	22
129A00-25050	8	13
129A00-25060	8	21
129A00-25080	8	34
129A00-25110	8	14
129A00-25120	8	22
129A00-25200	8	25
129A00-25210	8	26
129A00-25900	8	18
129A00-49610	13	38
129A00-51000	14	1
129A00-51100	14	2
129A00-51110	14	3
129A00-51120	14	4
129A00-51130	14	5
129A00-51200	14	6
129A00-51900	14	7
129A00-53200	15	4
129A00-55600	16	1
129A00-55610	16	2
129A00-55700	20	5
129A00-55710	20	6
129A00-55720	20	10
129A00-55730	20	11
129A00-55740	20	13
129A00-55751	20	7
129A00-55760	20	8
129A00-55770	20	14
129A00-55800	16	3
129A00-57100	15	8
129A00-57200	15	9
129A00-57210	15	10
129A00-59010	16	8
129A00-59020	16	15
129A00-59040	16	24
129A00-59110	5	11
129A00-59120	5	12
129A00-59700	15	14
129A00-59820	15	17
129A00-59830	15	19
129A00-75910	18	12
129A00-77930	19	1
129A00-91200	6	6
	7	36
	16	23
129A00-91430	7	38
129A00-91451	19	18
129A00-91600	19	22

Parts No.	Fig. No.	Ref. No.
129A01-12800	5	9
129A01-12851	5	8
129A01-13601	6	3
129A01-22080	10	16
129A01-22500	10	18
129A01-22900	10	36
129A01-22950	10	38
129A01-32000	11	1
129A01-49030	11	28
129A01-49040	11	32
129A01-53100	15	1
129A01-91500	19	19
129A88-01500	2	1
129A88-26000	8	28
129A88-91300	20	31
129A88-91320	20	33
129A88-91330	20	34
129A88-91340	20	35
129A88-91410	20	36
129C00-01550	2	17
129C00-11310	4	47
129C00-12110	5	1
129C00-13110	6	1
129C00-13800	6	27
129C00-13860	7	3 -1
129C00-13870	7	4 -1
129C00-13901	6	31
129C00-13940	7	3
129C00-13950	7	4
129C00-14580	8	3
129C00-49610	13	42
129C00-49620	13	45
129C00-55600	16	1 -1
129C00-55800	16	3 -1
129C00-57000	15	7
129C00-59030	16	19
129C00-59810	15	16
129C00-59820	15	18
129C00-77820	4	77
129C00-91200	7	37
129C00-91232	19	13
129C01-01331	1	28
129C01-03060	4	62
129C01-03130	4	63
129C01-07910	4	78
129C01-11360	4	39
129C01-11700	4	13
129C01-12060	4	68
129C01-12100	5	3
129C01-12150	5	2

Parts No. Index

Parts No.	Fig. No.	Ref. No.
129C01-13110	6	2
129C01-13350	6	21
129C01-13700	5	10
129C01-13770	6	5
129C01-16400	7	8
129C01-16680	7	13
129C01-16700	7	14
129C01-16710	7	15
129C01-16730	7	16
129C01-16740	7	17
129C01-16800	7	18
129C01-18011	9	1
129C01-33100	11	20
129C01-39450	12	4
129C01-39610	12	10
129C01-44600	21	22
		66
129C01-49010	21	40
		68
129C01-49020	21	41
		69
129C01-91222	19	3
129C01-91500	19	20
129C20-49350	13	9
129C23-49700	13	49
129C26-01890	2	13
129C28-51000	14	1 -1
129C28-53300	15	6
129C32-07920	4	79
129C32-17710	7	42
129C32-42800	21	11
129C32-42810	21	10
129C32-44500	21	17
129C32-44600	21	33
129C32-44910	21	35
129C32-44920	21	36
129C32-44950	21	38
129C32-44960	21	26
129C32-44970	21	27
129C32-44990	21	39
129C32-55650	16	5
129C34-21580	10	12
129C35-01560	1	1
129C35-16040	7	5
129C35-16200	7	6
129C35-42010	13	1
129C35-42011	13	1 -1
129C35-75060	18	1
129C35-75061	18	1 -1
129C84-12560	5	30

Parts No.	Fig. No.	Ref. No.
129C84-12570	5	31
129C84-12580	5	29
129C84-12650	5	34
129C88-34870	11	45
129C88-91130	19	29
129C88-91140	20	30
129E00-13620	6	16
129E00-16500	7	10
129E00-16600	7	11
129E00-17300	7	24
129E00-17350	7	26
129E22-17510	7	28
129E22-17560	7	31
129E30-12060	4	68 -1
129E45-12500	5	28
129E45-12580	5	32
129F01-13600	6	15
129F01-13630	6	4
129F01-13650	6	22
171008-03990	11	29
		33
171008-77450	17	8
171008-77510	17	13
171008-77540	17	15
171008-77650	17	20
171008-77660	17	24
171008-77670	17	25
171008-77750	17	31
171051-01921	1	5
171056-49120	11	38
171353-44760	13	63
172B02-17150	20	3
185100-50070	20	20
194990-22130	20	17
22190-080002	2	14
		21
22190-100002	12	6
22190-120002	13	36
22190-140002	5	13
22190-220002	3	10
22217-180000	8	19
22252-000260	10	25
22276-000060	21	13
22351-030010	10	7
	12	22
22351-060012	4	33
22512-070140	8	7
	10	5
22857-500100	4	56
		57

Parts No.	Fig. No.	Ref. No.
22857-500100	4	58
22857-500160	5	14
23000-022000	12	12
23000-041000	21	45
23000-048000	21	46
23000-060000	4	71
	5	35
	21	47
23000-075000	5	33
23000-090000	5	36
23061-070230	21	74
23080-007000	16	14
23080-015000	16	11
		18
23297-080061	6	9
23414-080000	13	21
23414-100000	12	7
23414-120000	6	11
24105-060064	8	32
24311-000070	20	26
24311-000120	4	60
24311-000320	2	7
	4	61
24316-000160	12	13
24316-240100	11	44
24321-000600	11	36
24321-000850	2	10
25152-003900	13	54
26013-080222	5	37
26014-060302	13	58
26023-040202	20	27
26106-060102	8	9
26106-060122	6	12
	12	14
	13	55
	20	29
26106-060162	4	72
	7	41
	21	29
26106-060202	5	25
26106-060322	17	29
26106-060402	5	26
	13	64
	17	30
26106-060502	13	61
		67
26106-060902	5	27
26106-080122	12	8
	13	22
	19	23

Parts No.	Fig. No.	Ref. No.
26106-080122	19	24
		25
		26
26106-080142	2	15
	7	19
	8	10
	19	27
26106-080162	2	8
		22
	3	12
	4	74
		80
	7	43
	11	46
	13	23
		50
	21	30
		48
		49
		50
26106-080202	7	35
	11	37
	16	6
	21	51
		52
26106-080222	13	32
26106-080252	3	13
	4	34
		81
	6	29
	15	11
	16	7
	21	53
		54
26106-080282	13	70
26106-080302	14	8
	16	4
26106-080352	2	16
		23
	3	21
	4	35
26106-080402	2	24
	8	27
26106-080452	3	14
	8	17
	13	24
26106-080502	3	15
	4	36
	5	6
		18

Parts No. Index

Parts No.	Fig. No.	Ref. No.
26106-080502	6	20
26106-080552	11	17
26106-080602	2	25
	13	25
26106-080652	13	71
26106-080752	5	19
26106-080852	2	26
26106-100202	2	11
	7	39
	21	3
		6
26106-100222	7	20
	21	55
26106-100302	21	7
26106-120252	17	32
26206-100252	3	4
26206-100302	3	5
26216-060202	5	4
26216-080352	5	15
26216-081052	5	20
26226-080182	4	11
26306-080002	5	21
	6	25
		30
		34
	7	21
		40
	9	4
	21	56
		57
26306-100002	22	29
	23	28
26366-060002	15	20
26366-100002	21	31
26450-060162	3	23
	4	59
	8	12
26450-060252	11	14
26776-180002	8	20
27241-120000	1	14
27241-300000	1	10
27241-400000	4	21
27310-080001	4	28
29621-100000	19	21
29621-200000	19	28
720445-44200	21	14
		58
729402-23100	10	26
X2114255110	17	5
X2114555500	17	21

Parts No.	Fig. No.	Ref. No.
X2114955020	17	22
X2130350900	17	4
X2240410100	17	23
X9490561001	22	2

Parts No.	Fig. No.	Ref. No.
-----------	----------	----------

Parts No.	Fig. No.	Ref. No.
-----------	----------	----------