

0CD50-M06380EN

# P R E F A C E

This parts catalog is the 1st edition of 4TNV86CHT-MCR for CARRARO.

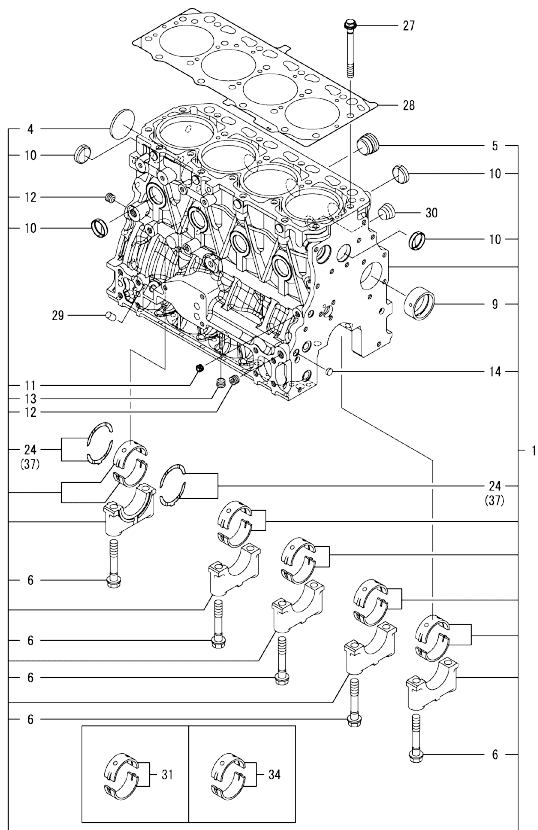
Published : September, 2020

## Contents

0CD50-M06380

Fig. No.	Fig. Name	Fig. No.	Fig. Name
ENGINE			
1.	CYLINDER BLOCK		
2.	GEAR HOUSING		
3.	MOUNTING FLANGE & OIL SUMP		
4.	CYLINDER HEAD & BONNET		
5.	SUCTION MANIFOLD		
6.	EXHAUST MANIFOLD		
7.	CAMSHAFT & DRIVING GEAR		
8.	TURBINE		
9.	CRANKSHAFT & PISTON		
10.	BALANCER		
11.	LUB. OIL SYSTEM		
12.	LUB. OIL PIPE		
13.	COOLING WATER SYSTEM		
14.	FUEL SUPPLY PUMP		
15.	FUEL INJECTION VALVE		
16.	FUEL PIPE		
17.	ELECTRONIC CONTROL UNIT(ECU)		
18.	ELECTRIC PARTS		
19.	ACCESSORY(1)		
20.	ACCESSORY(2)		
21.	ACCESSORY(3)		
22.	ACCESSORY(4)		
23.	ACCESSORY(5)		

Fig.1. CYLINDER BLOCK



(A)=4TNV86CHT-MCR  
(B)=  
(C)=

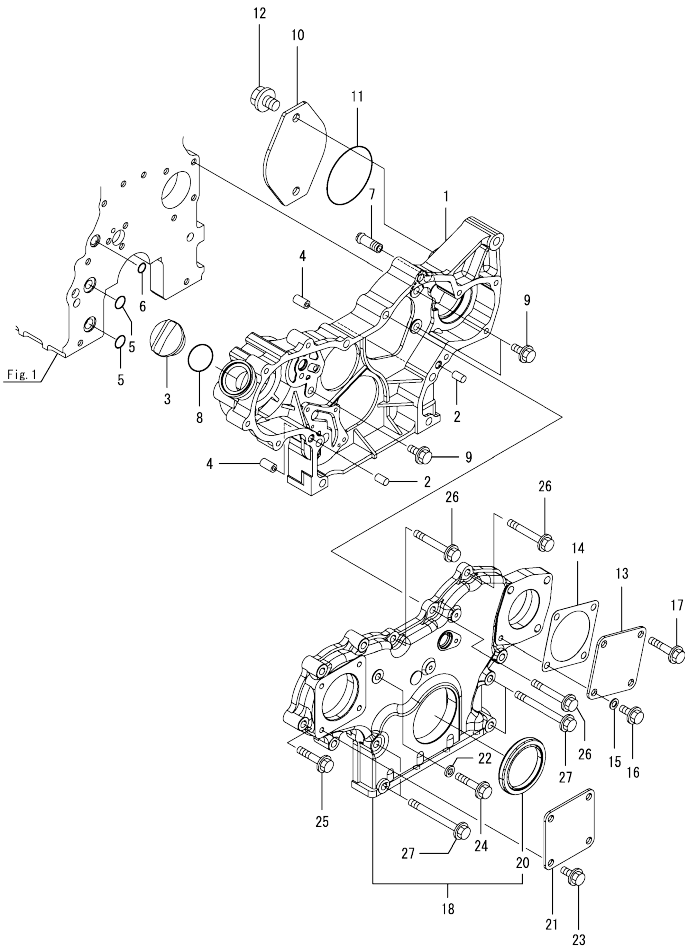
(D)=  
(E)=  
(F)=

No.	Lev.	Parts No.	Description	Q'ty						I	R
				(A)	(B)	(C)	(D)	(E)	(F)		
1	1	129C01-01560	BLOCK ASSY, CYLINDER	1							
4	2	129001-01250	PLUG, 50	1							
5	2	171051-01921	PLUG, NPTF1	1							
6	2	129150-02020	BOLT, METAL CAP	10							
9	2	129795-02412	BUSH, CAMSHAFT	1							
10	2	27241-300000	PLUG(30)	8							
11	2	124060-01050	PLUG, PT1/8	1							
12	2	124160-01910	PLUG, PT1/4	2							
13	2	124160-01910	PLUG, PT1/4	1							
14	2	27241-120000	PLUG, 12	1							
24	2	129150-02931	METAL ASSY, THRUST	2							
27	1	129150-01200	BOLT, CYLINDER HEAD	18							
28	1	129C01-01331	GASKET ASSY, HEAD	1							
29	1	119309-01810	PLUG	1							
30	1	23876-030000	PLUG, R03	1							
31	1	129001-02931	METAL ASSY, MAIN	5							1
34	1	129150-02871	METAL ASSY, MAIN .25	5							2
37	1	129150-02941	METAL ASSY, 0.25 OS	1							3

Remarks

- (1) Spare parts.
- (2) Under-sized (U.S.=0.25) parts.
- (3) Over-sized (O.S.=0.25) parts.

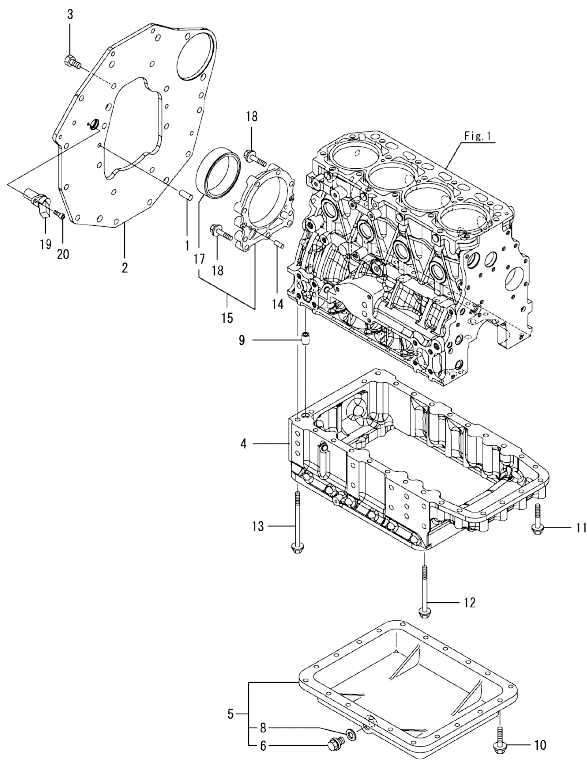
Fig.2. GEAR HOUSING



No.	Lev.	Parts No.	Description	Qty						I	R
				(A)	(B)	(C)	(D)	(E)	(F)		
1	1	129A32-01510	CASE, GEAR	1							
2	1	129100-01580	PIN, PARALLEL 8X16	2							
3	1	124160-01751	CAP, FILLER	1							
4	1	129795-01950	PIPE, KNOCK L=18	2							
5	1	119609-32040	O-RING, P16	2							
6	1	119624-32040	O-RING, P12.0	1							
7	1	129122-44480	JOINT, PT1/4	1							
8	1	24311-000320	O-RING, 1AP32.0	1							
9	1	26106-080162	BOLT, M8X 16 PLATED	3							
10	1	121023-26071	COVER, PUMP	1							
11	1	24321-000850	O-RING, 1AG85.0	1							
12	1	26106-100202	BOLT, M10X 20 PLATED	2							
13	1	124240-01871	COVER, HYDRAULIC PUMP	1							
14	1	129C26-01890	GASKET, PUMP	1							
15	1	22190-080002	WASHER, SEAL 8	1							
16	1	26106-080142	BOLT, M8X 14 PLATED	1							
17	1	26106-080352	BOLT, M8X 35 PLATED	3							
18	1	129C00-01550	COVER ASSY, CASE	1							
20	2	119934-01800	SEAL, OIL	1							
21	1	124240-01871	COVER, HYDRAULIC PUMP	1							
22	1	22190-080002	WASHER, SEAL 8	1							
23	1	26106-080162	BOLT, M8X 16 PLATED	4							
24	1	26106-080352	BOLT, M8X 35 PLATED	1							
25	1	26106-080402	BOLT, M8X 40 PLATED	5							
26	1	26106-080602	BOLT, M8X 60 PLATED	3							
27	1	26106-080852	BOLT, M8X 85 PLATED	4							

N:Old  $\frac{100}{100}$  New, Q:Old  $\frac{100}{100}$  New, R:Old  $\frac{100}{100}$  New, S:Old  $\frac{100}{100}$  New, W:Add, Z:Discontinued, F:Interchangeable by set, K:Qty Change  
 Copyright (C) 2020 YANMAR GLOBAL CS CO., LTD. All Rights Reserved.

Fig.3. MOUNTING FLANGE & OIL SUMP

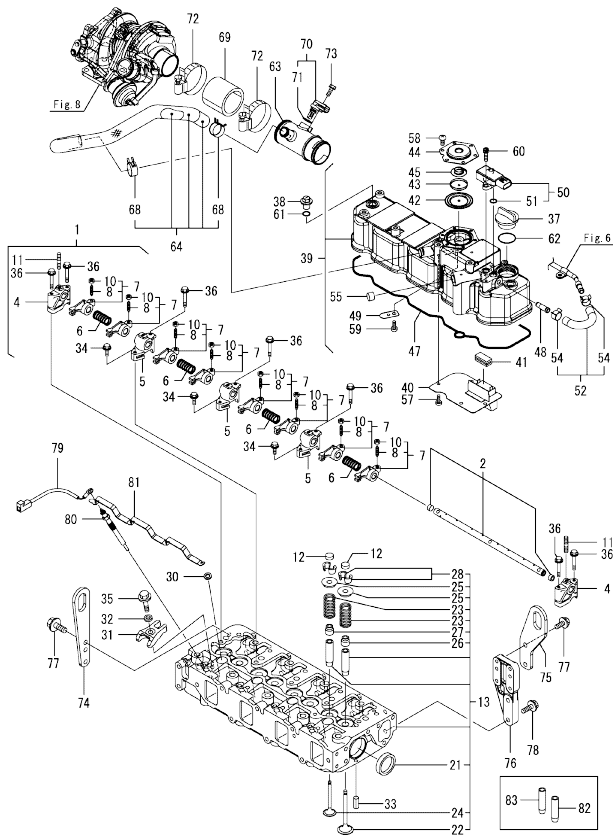


No.	Lev.	Parts No.	Description	Q'ty						I	R
				(A)	(B)	(C)	(D)	(E)	(F)		
1	1	129100-01580	PIN, PARALLEL 8X16	2							
2	1	129C36-01610	FLANGE, MOUNTING	1							
3	1	26206-100202	BOLT, M10X 20 PLATED	8							
4	1	129550-01702	OIL PAN	1							
5	1	129657-01730	COVER ASSY, OIL PAN	1							
6	2	105425-01690	PLUG, DRAIN M16	1							
8	2	22190-160002	WASHER, SEAL 16	1							
9	1	129555-01750	PIPE, KNOCK 14X19	1							
10	1	26106-080252	BOLT, M8X 25 PLATED	20							
11	1	26106-080502	BOLT, M8X 50 PLATED	8							
12	1	26106-081002	BOLT, M8X100 PLATED	14							
13	1	26106-081202	BOLT, M8X120 PLATED	4							
14	1	129100-01580	PIN, PARALLEL 8X16	2							
15	1	129648-01600	CASE ASSY, OIL SEAL	1							
17	2	129648-01780	SEAL, OIL	1							
18	1	129486-01670	BOLT, M8X30	9							
19	1	129A00-21710	SENSOR, FLYWHEEL	1							1
20	1	26450-060162	BOLT, M6X 16	1							

Remarks

(1)When replacing this part, it is necessary to update the software of the ECU using the designated service tool. Please refer to the Service Manual for details.

Fig.4. CYLINDER HEAD & BONNET



(A)=4TNV86CHT-MCR  
(B)=  
(C)=

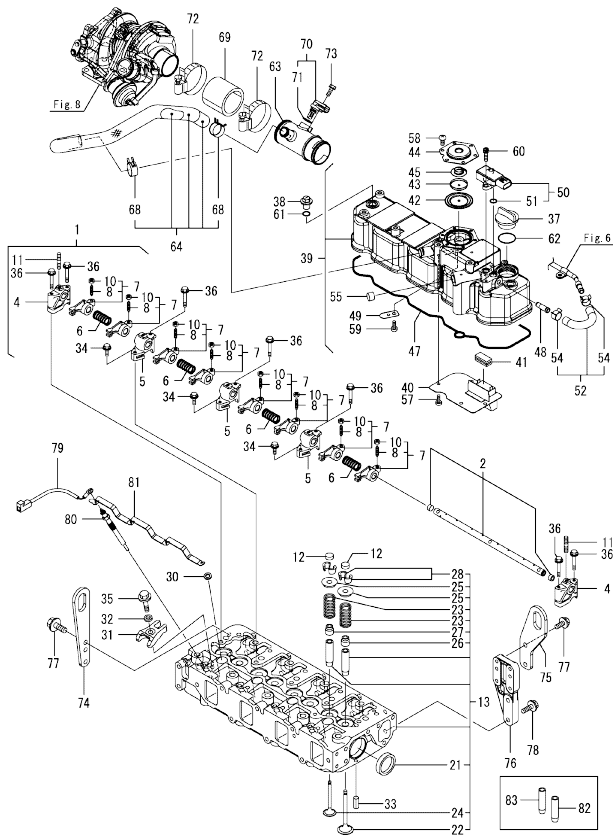
(D)=  
(E)=  
(F)=

No.	Lev.	Parts No.	Description	Q'ty						I	R
				(A)	(B)	(C)	(D)	(E)	(F)		
1	1	129601-11241	SHAFT ASSY, ROCKER	1							
2	2	129601-11251	SHAFT, ROCKER ARM	1							
4	2	119802-11260	SUPPORT, ROCKER ARM	2							
5	2	119802-11270	SUPPORT, ROCKER ARM	3							
6	2	129150-11280	SPRING, SHAFT	4							
7	2	129004-11650	ARM ASSY, ROCKER	8							
8	3	129150-11230	SCREW, VALVE ADJUST	8							
10	3	129150-11750	NUT, M8XP1.0	8							
11	2	26226-080182	STUD, M8X 18	3							
12	1	129150-11370	CAP, VALVE	8							
13	1	129C01-11700	HEAD ASSY, CYLINDER	1							
21	2	27241-400000	PLUG, 40	2							
22	2	129005-11100	VALVE, INTAKE	4							
23	2	129795-11120	SPRING, VALVE	8							
24	2	129100-11130	VALVE, EXHAUST	4							
25	2	129795-11180	RETAINER, SPRING	8							
26	2	124460-11340	SEAL, VALVE STEM	4							
27	2	129A00-11340	SEAL, VALVE STEM	4							
28	2	27310-080001	COTTER, 8	8							
30	1	129978-11871	GASKET, INJECTOR	4							
31	1	129A00-11900	RETAINER, INJECTOR	4							
32	1	120270-54410	WASHER, INJECTOR	4							
33	1	22351-060012	PIN, SPRING 6.0X12	2							
34	1	26106-080252	BOLT, M8X 25 PLATED	3							
35	1	26106-080352	BOLT, M8X 35 PLATED	4							
36	1	26106-080502	BOLT, M8X 50 PLATED	7							
37	1	124160-01751	CAP, FILLER	1							
38	1	124160-11360	KNOB, BONNET	3							
39	1	129C01-11360	BONNET ASSY, HEAD	1							
40	2	129004-03010	PLATE, BAFFLE	1							
41	2	129150-03070	BAFFLE, BREATHER	1							
42	2	123907-03100	DIAPHRAGM, BREATHER	1							
43	2	123907-03110	PLATE, CENTER	1							
44	2	123907-03120	PLATE, BREATHER	1							
45	2	123907-03140	SPRING, DIAPHRAGM	1							
47	2	129C00-11310	GASKET, BONNET	1							
48	2	129A00-11330	JOINT	1							
49	2	129009-11340	SPRING, PLATE	1							
50	2	129978-12700	SENSOR, PRESSURE	1							1
51	3	129A00-12780	O-RING, EGR SENSOR	2							
52	2	129A00-13360	HOSE ASSY, PRESSURE	1							
54	3	129A00-13380	CLIP, HOSE 14	2							
55	2	119640-61400	PLUG	1							
57	2	22857-500100	SCREW, 5X10	4							
58	2	22857-500100	SCREW, 5X10	6							
59	2	22857-500100	SCREW, 5X10	1							
60	2	26450-060162	BOLT, M6X 16	2							
61	1	24311-000120	O-RING, 1AP12.0	3							
62	1	24311-000320	O-RING, 1AP32.0	1							
63	1	129C01-03060	JOINT, BREATHER	1							
64	1	129C01-03130	HOSE ASSY, BREATHER	1							

Remarks

- (1)When replacing this part, it is necessary to update the software of the ECU using the designated service tool. Please refer to the Service Manual for details.
- (2)Spare parts.

Fig.4. CYLINDER HEAD & BONNET



(A)=4TNV86CHT-MCR  
(B)=  
(C)=

(D)=  
(E)=  
(F)=

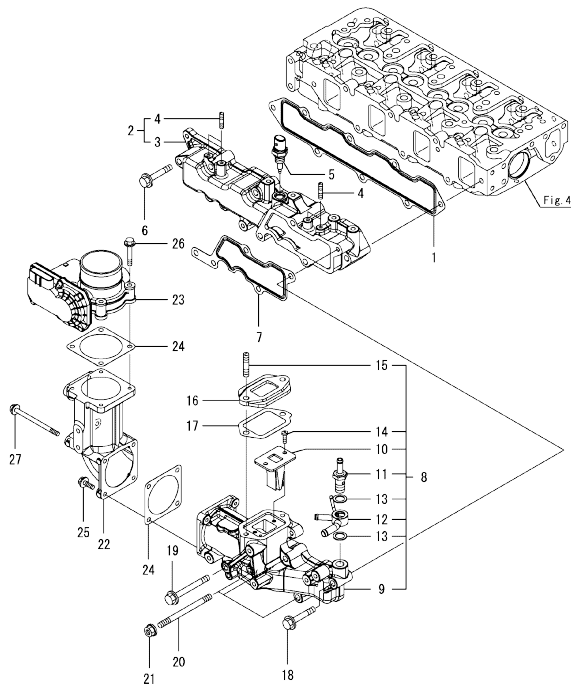
No.	Lev.	Parts No.	Description	Q'ty						I	R
				(A)	(B)	(C)	(D)	(E)	(F)		
68	2	129410-03990	CLAMP, HOSE 21.5	2							
69	1	129C01-12060	HOSE, AIR INTAKE	1							
70	1	129A00-12711	SENSOR, TEMPERATURE	1							1
71	2	129A00-12790	O-RING, TEMP SENSOR	1							
72	1	23000-060000	CLAMP, 60	2							
73	1	26106-060162	BOLT, M6X 16 PLATED	1							
74	1	129900-07900	LIFTER, ENGINE	1							
75	1	129C32-07900	LIFTER, ENGINE	1							
76	1	129C01-07910	SPACER, LIFTER	1							
77	1	26106-080162	BOLT, M8X 16 PLATED	4							
78	1	26106-080252	BOLT, M8X 25 PLATED	2							
79	1	119803-77830	HARNES, WIRE	1							
80	1	129008-77800	PLUG, GLOW	4							
81	1	129C00-77820	CONNECTOR, GLOW PLUG	1							
82	1	120130-11860	GUIDE, VALVE	4							2
83	1	129150-11810	GUIDE, VALVE	4							2

Remarks

- (1)When replacing this part, it is necessary to update the software of the ECU using the designated service tool. Please refer to the Service Manual for details.
- (2)Spare parts.



Fig.5. SUCTION MANIFOLD



(A)=4TNV86CHT-MCR  
(B)=  
(C)=

(D)=  
(E)=  
(F)=

No.	Lev.	Parts No.	Description	Q'ty						I	R
				(A)	(B)	(C)	(D)	(E)	(F)		
1	1	129C00-12110	GASKET, MANIFOLD	1							
2	1	129C01-12150	MANIFOLD ASSY,INTAKE	1							
3	2	129C01-12100	MANIFOLD, INTAKE	1							
4	2	26216-060202	STUD, M6X 20	4							
5	1	129A00-12721	SENSOR,AIR TEMP	1							1
6	1	26106-080502	BOLT, M8X 50 PLATED	5							
7	1	129A00-12810	GASKET, COLLECTOR	1							
8	1	129A01-12851	COLLECTOR ASSY	1							
9	2	129A01-12800	COLLECTOR, INTAKE	1							
10	2	129C01-13700	VALVE, REED	1							
11	2	129A00-59110	JOINT, HOSE M14	1							
12	2	129A00-59120	JOINT, HOSE 14	1							
13	2	22190-140002	WASHER, SEAL 14	2							
14	2	22857-500160	SCREW, 5X16	2							
15	2	26216-080352	STUD, M8X 35	2							
16	1	129A00-13710	SPACER, EGR VALVE	1							
17	1	129A00-13720	GASKET, EGR-V SPACER	1							
18	1	26106-080502	BOLT, M8X 50 PLATED	1							
19	1	26106-080752	BOLT, M8X 75 PLATED	1							
20	1	26216-081052	STUD, M8X105	3							
21	1	26306-080002	NUT, M8	3							
22	1	129C36-12820	BEND, INLET	1							
23	1	129A00-12900	THROTTLE, INTAKE	1							1
24	1	129A00-12910	GASKET, THROTTLE	2							
25	1	26106-060202	BOLT, M6X 20 PLATED	2							
26	1	26106-060402	BOLT, M6X 40 PLATED	4							
27	1	26106-060902	BOLT, M6X 90 PLATED	2							

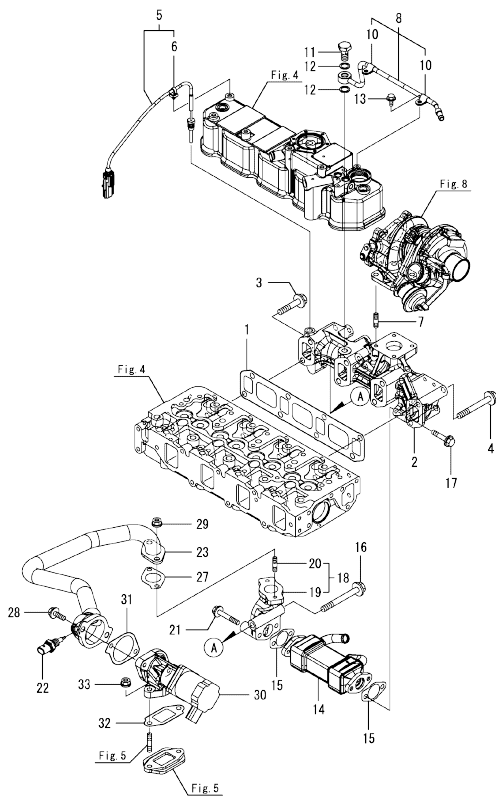
Remarks

(1)When replacing this part, it is necessary to update the software of the ECU using the designated service tool. Please refer to the Service Manual for details.

Fig.6. EXHAUST MANIFOLD

(A)=4TNV86CHT-MCR  
(B)=  
(C)=

(D)=  
(E)=  
(F)=

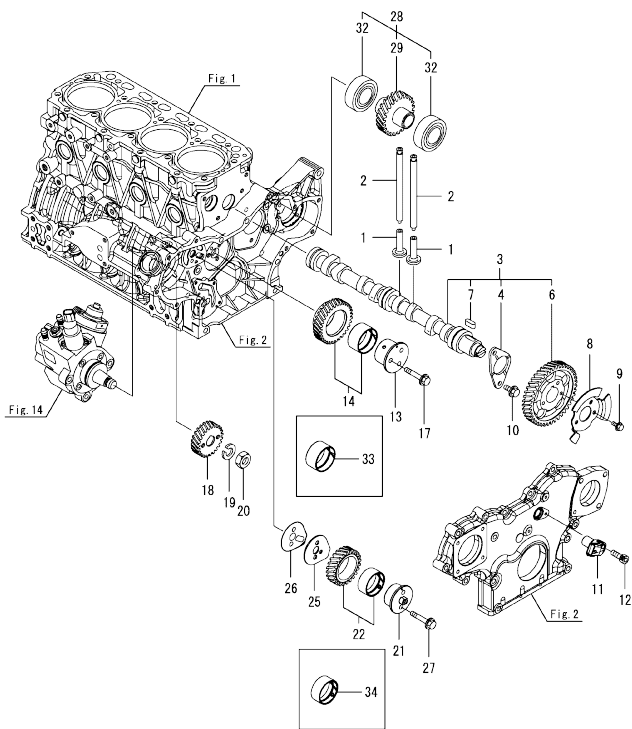


No.	Lev.	Parts No.	Description	Q'ty						I	R
				(A)	(B)	(C)	(D)	(E)	(F)		
1	1	129C00-13110	GASKET, MANIFOLD	1							
2	1	129C01-13110	MANIFOLD, EXHAUST	1							
3	1	129A01-13601	BOLT, M10X50 10.9T	1							
4	1	129F01-13630	BOLT, M10X80 10.9T	7							
5	1	129C01-13770	SENSOR, TEMPERATURE	1							1
6	2	129A00-91200	CLIP, BAND	1							
7	1	129418-18320	STUD, M8X20	4							
8	1	129A00-13300	PIPE ASSY, PRESSURE	1							
10	2	23297-080061	CLAMP, A8X 6	2							
11	1	129A00-13350	BOLT, PIPE JOINT	1							
12	1	23414-120000	GASKET, 12X1.0	2							
13	1	26106-060122	BOLT, M6X 12 PLATED	2							
14	1	129A00-13400	COOLER, EGR	1							
15	1	129A00-13410	GASKET, EGR COOLER	2							
16	1	129F01-13600	BOLT, M10X90 10.9T	1							
17	1	129E00-13620	BOLT, M8X40 10.9	2							
18	1	129A00-13851	PIPE, EGR OUTLET	1							
19	2	129A00-13861	PIPE, EGR OUTLET	1							
20	2	129418-18320	STUD, M8X20	2							
21	1	26106-080502	BOLT, M8X 50 PLATED	2							
22	1	129A00-13752	SENSOR,EGR GAS TEMP	1							1
23	1	129C00-13800	PIPE, EGR	1							
27	1	129927-13810	GASKET, EGR PIPE	1							
28	1	26106-080252	BOLT, M8X 25 PLATED	2							
29	1	26306-080002	NUT, M8	2							
30	1	129C00-13901	VALVE, EGR	1							1
31	1	129A00-13910	GASKET, EGR-V INLET	1							
32	1	129A00-13920	GASKET, EGR-V OUTLET	1							
33	1	26306-080002	NUT, M8	2							

Remarks

(1)When replacing this part, it is necessary to update the software of the ECU using the designated service tool. Please refer to the Service Manual for details.

Fig.7. CAMSHAFT & DRIVING GEAR



(A)=4TNV86CHT-MCR  
(B)=  
(C)=

(D)=  
(E)=  
(F)=

No.	Lev.	Parts No.	Description	Q'ty						I	R
				(A)	(B)	(C)	(D)	(E)	(F)		
1	1	129150-14200	TAPPET	8							
2	1	129150-14400	ROD, PUSH L=178	8							
3	1	129C00-14580	CAMSHAFT ASSY	1							
4	2	129150-02450	METAL, THRUST	1							
6	2	129A00-14100	GEAR, CAMSHAFT	1							
7	2	22512-070140	KEY, 7X 14	1							
8	1	129A00-14701	PULSER, CAMSHAFT	1							
9	1	26106-060102	BOLT, M6X 10 PLATED	3							
10	1	26106-080142	BOLT, M8X 14 PLATED	2							
11	1	129A00-14710	SENSOR, ROTATION	1							
12	1	26450-060162	BOLT, M6X 16	1							
13	1	129A00-25050	SHAFT, IDLE GEAR A	1							
14	1	129A00-25110	GEAR ASSY, IDLE A	1							
17	1	26106-080452	BOLT, M8X 45 PLATED	3							
18	1	129A00-25900	GEAR, SUPPLY PUMP	1							
19	1	22217-180000	WASHER, SPRING 18	1							
20	1	26776-180002	NUT, LOCK M18	1							
21	1	129A00-25060	SHAFT, IDLE GEAR B	1							
22	1	129A00-25120	GEAR ASSY, IDLE B	1							
25	1	129A00-25200	PLATE, IDLE SHAFT B	1							
26	1	129A00-25210	GASKET, IDLE SHAFT B	1							
27	1	26106-080402	BOLT, M8X 40 PLATED	2							
28	1	129A88-26000	DRIVE ASSY, PUMP	1							
29	2	129484-26210	GEAR ASSY, PUMP	1							
32	2	24105-060064	BEARING, BALL 6006Z	2							
33	1	119802-25071	BUSH, IDLE GEAR	1							1
34	1	129A00-25080	BUSH, IDLE GEAR B	1							1

Remarks

(1)Spare parts.

OCD50-M06380 ENGINE  
 Fig.8. TURBINE

OCD50-M06380 Fig.8

(A)=4TNV86CHT-MCR  
 (B)=  
 (C)=

(D)=  
 (E)=  
 (F)=

No.	Lev.	Parts No.	Description	Q'ty						
				(A)	(B)	(C)	(D)	(E)	(F)	
1	1	129C01-18011	TURBOCHARGER, RHF4	1						
2	1	129508-18080	GASKET, TURBINE IN	1						
3	1	26306-080002	NUT, M8	4						

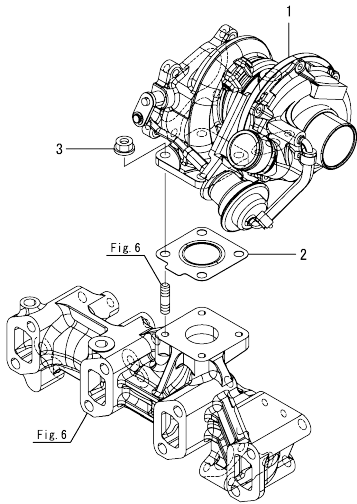
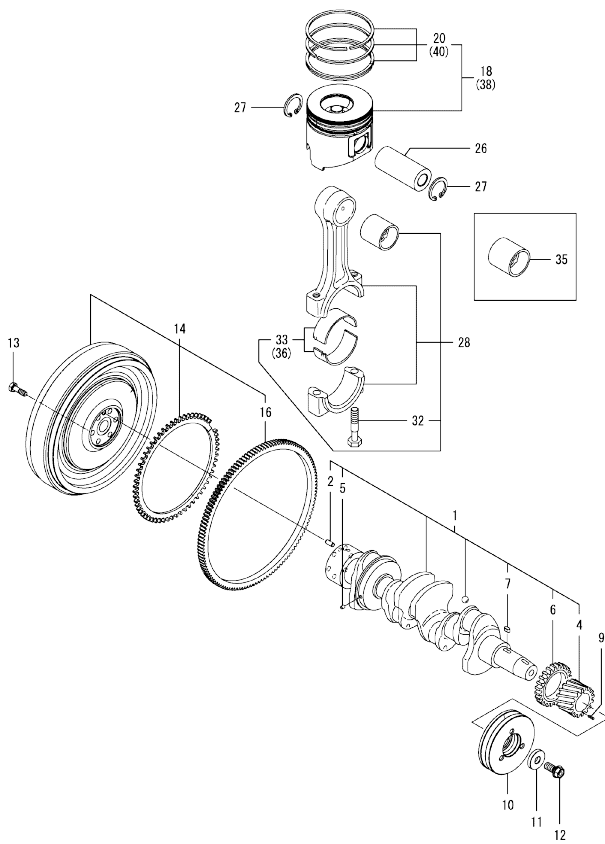


Fig.9. CRANKSHAFT & PISTON



(A)=4TNV86CHT-MCR  
(B)=  
(C)=

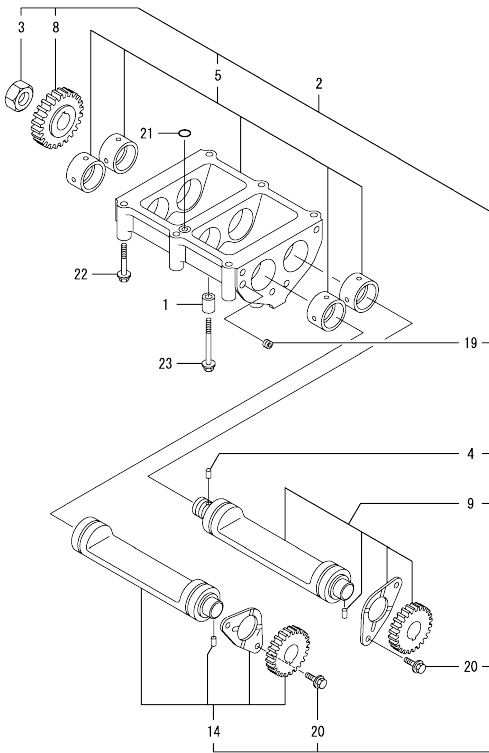
(D)=  
(E)=  
(F)=

No.	Lev.	Parts No.	Description	Q'ty						I	R
				(A)	(B)	(C)	(D)	(E)	(F)		
1	1	129558-21000	CRANKSHAFT ASSY	1							
2	2	129100-01580	PIN, PARALLEL 8X16	1							
4	2	119803-21200	GEAR, CRANKSHAFT	1							
5	2	121850-21290	PIN, CRANK GEAR	1							
6	2	129400-28121	GEAR, BALANCER	1							
7	2	22512-070140	KEY, 7X 14	1							
9	1	22351-030010	PIN, SPRING 3.0X10	1							
10	1	129558-21660	V-PULLEY, CRANKSHAFT	1							
11	1	129795-21661	WASHER, 14	1							
12	1	121850-21680	BOLT, V-PULLEY	1							
13	1	121111-21501	BOLT, FLYWHEEL	6							
14	1	129C36-21550	FLYWHEEL ASSY	1							
16	2	124550-21600	GEAR, RING Z=127	1							
18	1	129A01-22080	PISTON ASSY	4							
20	2	129A01-22500	RING SET, PISTON	4							
26	1	129202-22300	PIN, PISTON D26 L70	4							
27	1	22252-000260	RING, 26	8							
28	1	729402-23100	ROD ASSY, CONNECTING	4							
32	2	121550-23200	BOLT, CONNECTING ROD	8							
33	2	129150-23601	METAL ASSY, CRANK PIN	4							
35	1	129100-23910	METAL, PISTON PIN	4							1
36	1	129150-23611	METAL, CRANK PIN .25	4							2
38	1	129A01-22900	PISTON ASSY, 0.25 OS	4							3
40	2	129A01-22950	RING SET, PISTON .25	4							3

Remarks  
(1) Spare parts.  
(2) Under-sized (U.S.=0.25) parts.  
(3) Over-sized (O.S.=0.25) parts.

OCD50-M06380 ENGINE  
 Fig.10. BALANCER

OCD50-M06380 Fig.10



(A)=4TNV86CHT-MCR  
 (B)=  
 (C)=

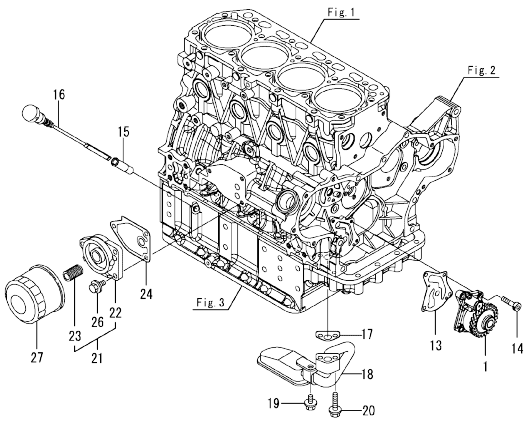
(D)=  
 (E)=  
 (F)=

No.	Lev.	Parts No.	Description	Q'ty						I	R
				(A)	(B)	(C)	(D)	(E)	(F)		
1	1	129795-01960	PIPE, KNOCK 11X12	2							
2	1	129457-28000	BALANCER ASSY	1							
3	2	128170-14150	NUT, CAM	1							
4	2	121850-21290	PIN, CRANK GEAR	1							
5	2	129457-28011	CASE ASSY, BALANCER	1							
8	2	129400-28150	GEAR, BALANCER A	1							
9	2	729490-28510	SHAFT ASSY, BALANCER	1							
14	2	729490-28520	SHAFT ASSY, BALANCER	1							
19	2	23876-005000	PLUG, R005	1							
20	2	26106-080142	BOLT, M8X 14 PLATED	4							
21	1	24311-000140	O-RING, 1AP14.0	1							
22	1	26106-080602	BOLT, M8X 60 PLATED	4							
23	1	26106-080802	BOLT, M8X 80 PLATED	2							

Fig.11. LUB. OIL SYSTEM

(A)=4TNV86CHT-MCR  
(B)=  
(C)=

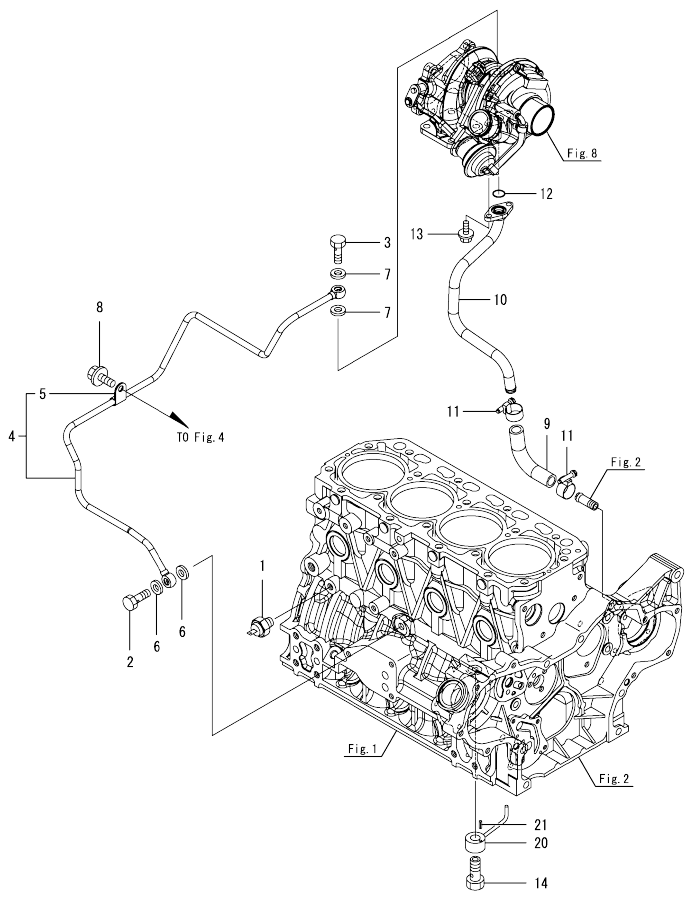
(D)=  
(E)=  
(F)=



No.	Lev.	Parts No.	Description	Q'ty						I	R
				(A)	(B)	(C)	(D)	(E)	(F)		
1	1	129A01-32000	PUMP ASSY, OIL	1							
13	1	129486-32020	GASKET, PUMP	1							
14	1	26450-060252	BOLT, M6X 25	4							
15	1	121520-34810	GUIDE, DIPSTICK	1							
16	1	129457-34810	DIPSTICK, OIL	1							
17	1	129150-35042	GASKET, INLET PIPE	1							
18	1	129657-35090	PIPE ASSY, OIL INLET	1							
19	1	26106-080122	BOLT, M8X 12 PLATED	1							
20	1	26106-080352	BOLT, M8X 35 PLATED	2							
21	1	119802-35100	BRACKET ASSY, FILTER	1							
22	2	119802-35110	BRACKET, FILTER	1							
23	2	129100-35140	STUD	1							
24	1	129150-35111	GASKET, BRACKET	1							
26	1	26106-080202	BOLT, M8X 20 PLATED	3							
27	1	129150-35153	FILTER ASSY, D80X80L	1							1

Remarks  
(1)Spare parts.

Fig.12. LUB. OIL PIPE



(A)=4TNV86CHT-MCR  
(B)=  
(C)=

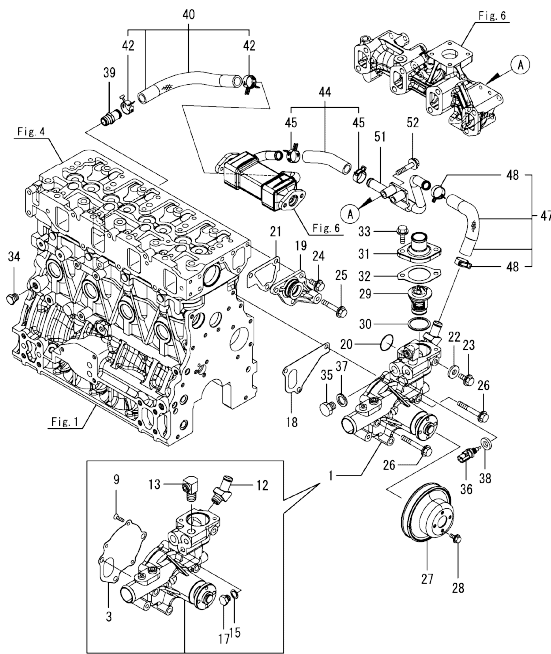
(D)=  
(E)=  
(F)=

No.	Lev.	Parts No.	Description	Q'ty						I	R
				(A)	(B)	(C)	(D)	(E)	(F)		
1	1	119761-39450	SWITCH, HYDRAULIC	1							
2	1	124160-39140	BOLT, PIPE JOINT M10	1							
3	1	121252-39150	BOLT, JOINT M10X1.5	1							
4	1	129C01-39450	PIPE ASSY, TURBINE	1							
5	2	124223-39900	RETAINER	1							
6	1	22190-100002	WASHER, SEAL 10	2							
7	1	23414-100000	GASKET, 10X1.0	2							
8	1	26106-080122	BOLT, M8X 12 PLATED	1							
9	1	129266-39620	JOINT, OIL PIPE	1							
10	1	129C36-39640	PIPE, LO RETURN T/C	1							
11	1	23000-022000	CLAMP, 22	2							
12	1	24316-000160	O-RING, 4DP16.0	1							
13	1	26106-060122	BOLT, M6X 12 PLATED	2							
14	1	129792-39410	VALVE ASSY, CHECK	4							
20	1	129553-39650	NOZZLE, COOLING	4							
21	1	22351-030010	PIN, SPRING 3.0X10	4							

N:Old  $\frac{New}{Old}$  New, Q:Old  $\frac{New}{Old}$  New, R:Old  $\frac{New}{Old}$  New, S:Old  $\frac{New}{Old}$  New, W:Add, Z:Discontinued, F:Interchangeable by set, K:Qty Change  
Copyright (C) 2020 YANMAR GLOBAL CS CO., LTD. All Rights Reserved.



Fig.13. COOLING WATER SYSTEM



(A)=4TNV86CHT-MCR  
(B)=  
(C)=

(D)=  
(E)=  
(F)=

No.	Lev.	Parts No.	Description	Q'ty						I	R
				(A)	(B)	(C)	(D)	(E)	(F)		
1	1	129C36-42010	PUMP ASSY, CW	1							
3	2	129100-42051	GASKET, WATER PUMP	1							
9	2	129150-42290	SCREW, FLAT M6X15	3							
12	2	129C26-49300	ELBOW, R3/8	1							
13	2	129C20-49350	ELBOW, R3/8	1							
15	2	23414-120000	GASKET, 12X1.0	1							
17	2	23887-120002	PLUG, 12	1							
18	1	129486-42021	GASKET, WATER PUMP	1							
19	1	129004-42040	JOINT, WATER PIPE	1							
20	1	129486-42140	O-RING, G30	1							
21	1	124395-49840	GASKET, THERMOSTAT	1							
22	1	23414-080000	GASKET, 8X1.0	1							
23	1	26106-080122	BOLT, M8X 12 PLATED	1							
24	1	26106-080162	BOLT, M8X 16 PLATED	3							
25	1	26106-080452	BOLT, M8X 45 PLATED	1							
26	1	26106-080602	BOLT, M8X 60 PLATED	3							
27	1	129550-42350	V-PULLEY, PUMP	1							
27-1	1	129120-42351	V-PULLEY, PUMP	1							N
(A=2021.08)											
28	1	26106-060122	BOLT, M6X 12 PLATED	4							
29	1	129457-49801	THERMOSTAT, 82C	1							
30	1	129150-49811	GASKET, THERMOSTAT	1							
31	1	129350-49530	COVER, THERMOSTAT	1							
32	1	129795-49551	GASKET, COVER	1							
33	1	26106-080222	BOLT, M8X 22 PLATED	2							
34	1	171056-49120	PLUG, DRAIN R1/4	1							
35	1	121450-42450	PLUG, M16	1							
36	1	129927-44900	SENSOR, TEMPERATURE	1							1
37	1	124465-44950	GASKET, 16	1							
38	1	22190-120002	WASHER, SEAL 12	1							
39	1	129928-49420	JOINT	1							
40	1	129A00-49610	PIPE ASSY, EGR-C IN	1							
42	2	129960-03990	CLAMP, HOSE 19.8	2							
44	1	129C00-49610	PIPE ASSY, OUTLET A	1							
45	2	129960-03990	CLAMP, HOSE 19.8	2							
47	1	129C36-49610	PIPE ASSY, CW EGR	1							
48	2	129960-03990	CLAMP, HOSE 19.8	2							
51	1	129C36-49700	PIPE, CW EGR-C OUT	1							
52	1	26106-080402	BOLT, M8X 40 PLATED	2							

Remarks

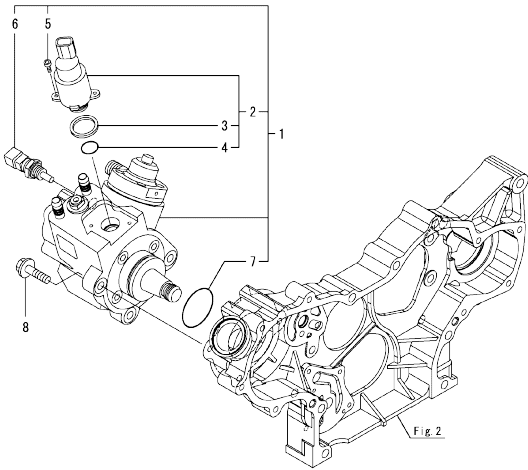
(1)When replacing this part, it is necessary to update the software of the ECU using the designated service tool. Please refer to the Service Manual for details.

Fig.14. FUEL SUPPLY PUMP

(A)=4TNV86CHT-MCR  
(B)=  
(C)=

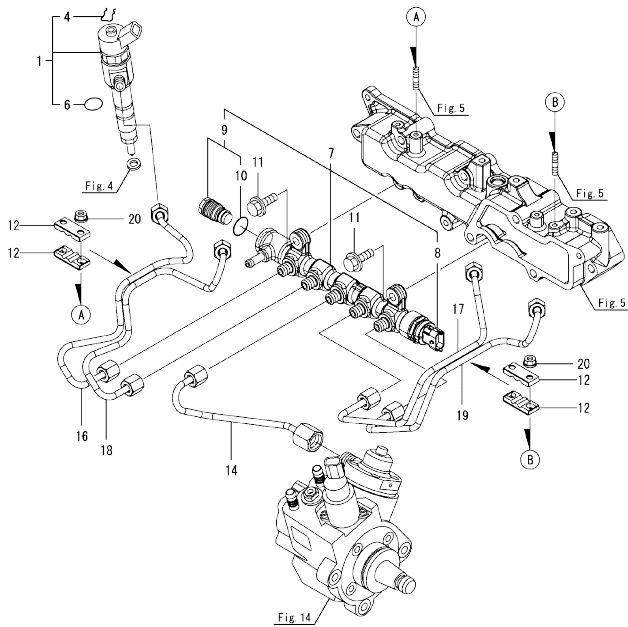
(D)=  
(E)=  
(F)=

No.	Lev.	Parts No.	Description	Q'ty						I	R
				(A)	(B)	(C)	(D)	(E)	(F)		
1	1	129C28-51000	PUMP ASSY, FUEL	1							1
2	2	129A00-51100	VALVE ASSY	1							1
3	3	129A00-51110	RING, SEAL	1							
4	3	129A00-51120	O-RING, MPROP	1							
5	2	129A00-51130	BOLT, MPROP	2							
6	2	129A00-51200	SENSOR, TEMPERATURE	1							1
7	2	129A00-51900	O-RING, FUEL PUMP	1							
8	1	26106-080302	BOLT, M8X 30 PLATED	3							



Remarks  
(1)When replacing this part, it is necessary to update the software of the ECU using the designated service tool.  
Please refer to the Service Manual for details.

Fig.15. FUEL INJECTION VALVE



(A)=4TNV86CHT-MCR  
(B)=  
(C)=

(D)=  
(E)=  
(F)=

No.	Lev.	Parts No.	Description	Q'ty						I	R
				(A)	(B)	(C)	(D)	(E)	(F)		
1	1	129A01-53100	INJECTOR, CR	4							1
4	2	129A00-53200	RING, RETAINING	4							
6	2	129C28-53300	O-RING	4							
7	1	129C00-57000	COMMON RAIL ASSY	1							1
8	2	129A00-57100	SENSOR, PRESSURE	1							1
9	2	129A00-57200	VALVE ASSY, PLV4	1							1
10	3	129A00-57210	O-RING, PLV4	1							
11	1	26106-080252	BOLT, M8X 25 PLATED	2							
12	1	122780-59100	RETAINER, PIPE	4							
14	1	129A00-59700	PIPE ASSY, RAIL IN	1							
16	1	129C00-59810	PIPE ASSY, INJECTION	1							
17	1	129A00-59820	PIPE ASSY, INJECTION	1							
18	1	129C00-59820	PIPE ASSY, INJECTION	1							
19	1	129A00-59830	PIPE ASSY, INJECTION	1							
20	1	26366-060002	NUT, M6	4							

Remarks

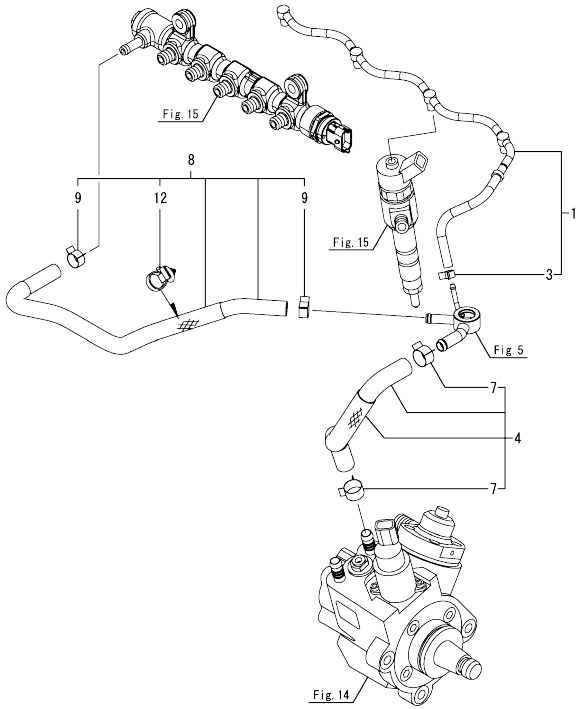
(1)When replacing this part, it is necessary to update the software of the ECU using the designated service tool. Please refer to the Service Manual for details.

Fig.16. FUEL PIPE

(A)=4TNV86CHT-MCR  
(B)=  
(C)=

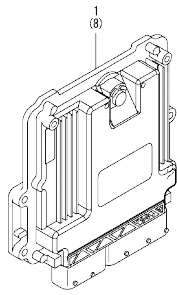
(D)=  
(E)=  
(F)=

No.	Lev.	Parts No.	Description	Q'ty						I	R
				(A)	(B)	(C)	(D)	(E)	(F)		
1	1	129677-59501	PIPE ASSY, RETURN	1							
3	2	23080-007000	CLAMP, 7	1							
4	1	129A00-59020	PIPE ASSY, RETURN	1							
7	2	23080-015000	CLAMP, 15	2							
8	1	129C00-59030	PIPE ASSY, RETURN	1							
9	2	114270-59010	CLAMP, HOSE 12	2							
12	2	129A00-91200	CLIP, BAND	1							



OCD50-M06380 ENGINE

Fig.17. ELECTRONIC CONTROL UNIT(ECU)



OCD50-M06380 Fig.17

(A)=4TNV86CHT-MCR  
(B)=  
(C)=

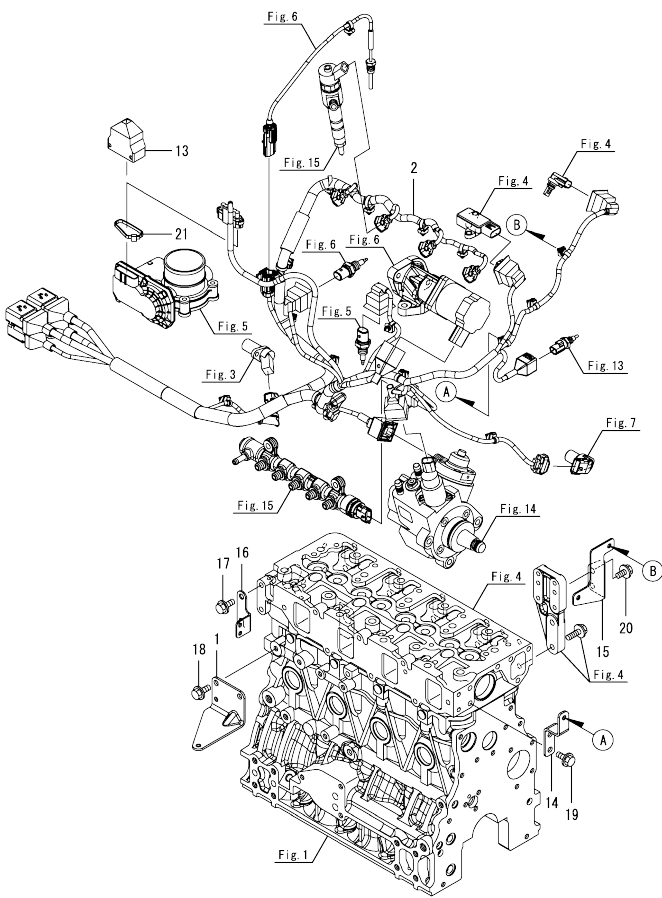
(D)=  
(E)=  
(F)=

No.	Lev.	Parts No.	Description	Q'ty						I	R	
				(A)	(B)	(C)	(D)	(E)	(F)			
1	1	129C35-75080	ECU ASSY	1							1	
8	1	129A00-75910	ECU ASSY,SERVICE YMR	1								2

Remarks

- (1)Eco ECU  
This part cannot be ordered.
- Replace the part using a Service ECU with the proper engine information installed.
- (2)Service ECU  
When replacing this part, it is necessary to update the software of the ECU using the designated service tool.
- Please refer to the Service Manual for details.

Fig.18. ELECTRIC PARTS

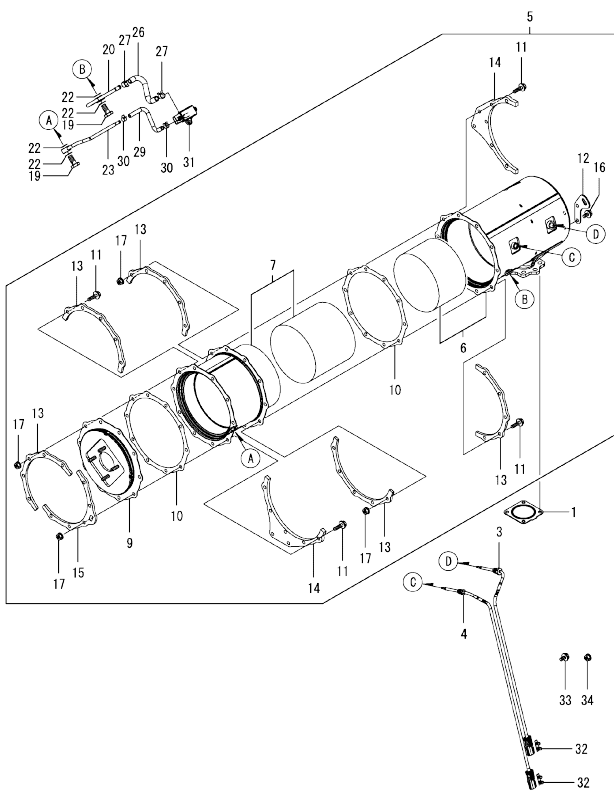


(A)=4TNV86CHT-MCR  
(B)=  
(C)=

(D)=  
(E)=  
(F)=

No.	Lev.	Parts No.	Description	Q'ty						I	R
				(A)	(B)	(C)	(D)	(E)	(F)		
1	1	129C36-77900	BRACKET,HARNESS	1							
2	1	129C36-91240	HARNESS, LONG	1							
13	1	129A00-91451	BOOT, CAP TYPE	1							
14	1	129A01-91500	BRACKET, HARNESS	1							
15	1	129C01-91500	BRACKET, HARNESS	1							
16	1	129A00-91600	BRACKET, HARNESS	1							
17	1	26106-080122	BOLT, M8X 12 PLATED	2							
18	1	26106-080122	BOLT, M8X 12 PLATED	2							
19	1	26106-080122	BOLT, M8X 12 PLATED	2							
20	1	26106-080142	BOLT, M8X 14 PLATED	2							
21	1	29621-200000	BAND	1							

Fig.19. ACCESSORY(1)



(A)=4TNV86CHT-MCR  
(B)=  
(C)=

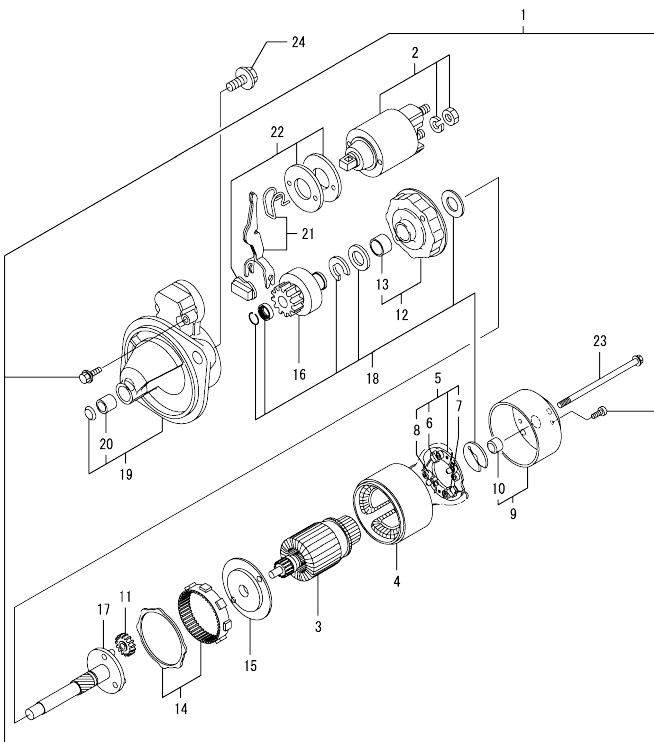
(D)=  
(E)=  
(F)=

No.	Lev.	Parts No.	Description	Q'ty						I	R
				(A)	(B)	(C)	(D)	(E)	(F)		
1	1	129930-13201	GASKET, SILENCER	1							
3	1	129C23-13910	SENSOR, ATD TEMP.DS+	1							1
4	1	129C23-13920	SENSOR, ATD TEMP.DS+	1							1
5	1	129C35-16100	DPF ASSY	1							1
6	2	129C35-16210	CASE, DOC	1							1
7	2	129C36-16410	CASE, SOOT FILTER	1							1
9	2	129C01-16550	FLANGE, OUTLET	1							
10	2	129E00-16600	GASKET, DPF	2							
11	2	129A00-16610	BOLT, M8X28 10.9T	20							
12	2	129C01-16680	LIFTER, DPF	1							
13	2	129C01-16700	STIFFENER, DPF A	5							
14	2	129E26-16720	STIFFENER, DPF B	2							
15	2	129C01-16740	STIFFENER, DPF C	1							
16	2	26106-080142	BOLT, M8X 14 PLATED	2							
17	2	26306-080002	NUT, M8	20							
19	1	129A00-13350	BOLT, PIPE JOINT	2							
20	1	129C36-17300	PIPE ASSY,PRESSURE	1							
22	1	129A00-17311	GASKET, SENSOR	4							
23	1	129C36-17310	PIPE ASSY,PRESSURE	1							
26	1	129A24-17500	HOSE,PRES EXH	1							
27	1	129A00-17520	CLIP, HOSE	2							
29	1	129A00-17551	HOSE, PRESSURE	1							
30	1	129A00-17570	CLIP, HOSE	2							
31	1	129978-17700	SENSOR, PRESSURE	1							1
32	1	129A00-91430	CLIP, CONNECTOR	2							
33	1	26106-080142	BOLT, M8X 14 PLATED	2							
33-1	1	26106-080142	BOLT, M8X 14 PLATED	2							Z
		(A=*2021.03.)									
34	1	26306-080002	NUT, M8	10							
34-1	1	26306-080002	NUT, M8	10							Z
		(A=*2021.03.)									

Remarks

(1)When replacing this part, it is necessary to update the software of the ECU using the designated service tool. Please refer to the Service Manual for details.

Fig.20. ACCESSORY(2)



(A)=4TNV86CHT-MCR  
(B)=  
(C)=

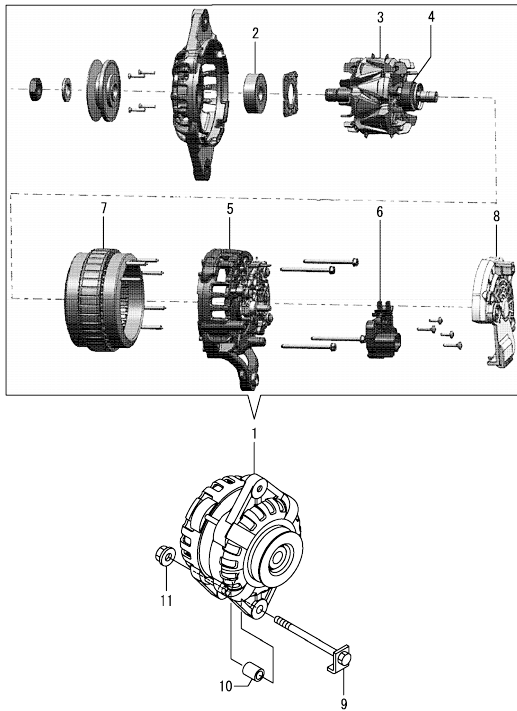
(D)=  
(E)=  
(F)=

No.	Lev.	Parts No.	Description	Q'ty						I	R
				(A)	(B)	(C)	(D)	(E)	(F)		
1	1	129242-77010	STARTER, 1.7	1							
2	2	129698-77020	SWITCH ASSY, MAGNET	1							
3	2	129242-77100	ARMATURE ASSY	1							
4	2	129242-77110	YOKE ASSY	1							
5	2	129242-77120	HOLDER ASSY, BRUSH	1							
6	3	129242-77130	BRUSH, -	2							
7	3	129242-77140	BRUSH SET	1							
8	3	129242-77150	SPRING, BRUSH	4							
9	2	129242-77160	COVER ASSY, STARTER	1							
10	3	129242-77170	METAL, REAR COVER	1							
11	2	118400-77170	GEAR, PLANETARY	3							
12	2	129242-77180	BRACKET, CENTER P	1							
13	3	129698-77190	BRACKET, CENTER	1							
14	2	129698-77200	GEAR, INTERNAL	1							
15	2	129242-77210	BRACKET, CENTER A	1							
16	2	129698-77220	PINION ASSY	1							
17	2	129698-77230	SHAFT, PINION	1							
18	2	129698-77250	WASHER SET	1							
19	2	129242-77260	CASE ASSY, GEAR	1							
20	3	X2114535200	METAL, STARTER	1							
21	2	129242-77270	LEVER SET, SHIFT	1							
22	2	129242-77280	COVER KIT, DUST	1							
23	2	124195-77770	BOLT, THROUGH	2							
24	1	26106-120252	BOLT, M12X 25 PLATED	2							
24-1	1	26106-120402	BOLT, M12X 40 PLATED	2							N

(A=\*\*2021.03.)



Fig.21. ACCESSORY(3)

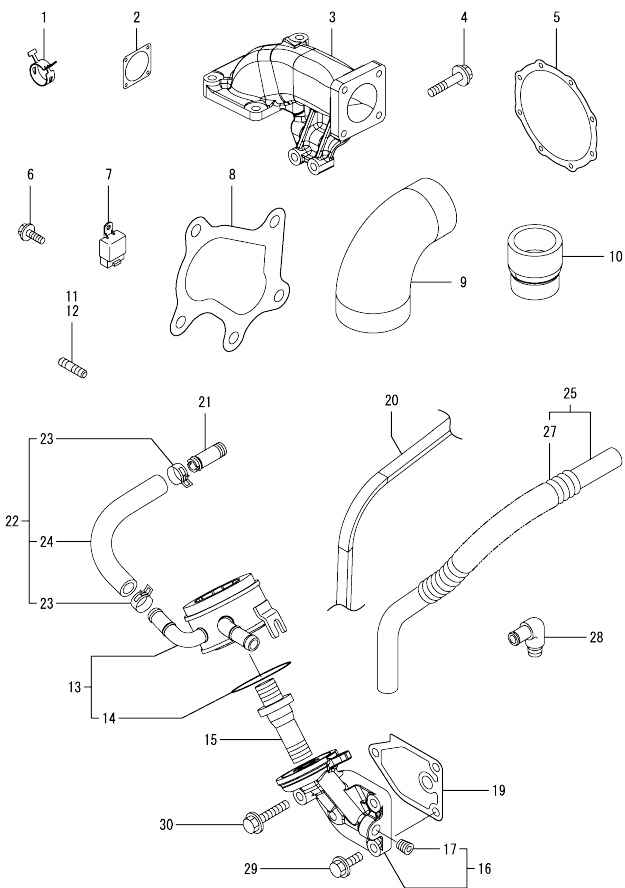


(A)=4TNV86CHT-MCR  
(B)=  
(C)=

(D)=  
(E)=  
(F)=

No.	Lev.	Parts No.	Description	Q'ty						I	R
				(A)	(B)	(C)	(D)	(E)	(F)		
1	1	129908-77200	ALTERNATOR,	1							
2	2	129908-77710	BEARING, BALL FR	1							
3	2	129908-77720	ROTOR	1							
4	2	129908-77730	BEARING, BALL RR	1							
5	2	129908-77740	RECTIFIER	1							
6	2	129908-77750	REGULATOR	1							
7	2	129908-77760	STATOR	1							
8	2	129908-77770	PROTECTOR	1							
9	1	129908-77220	BOLT, STOPPER M10	1							
10	1	129908-77360	PIECE, DISTANCE	1							
10-1	1	129A20-77350	PIECE, DISTANCE	1							N
		(A=*2021.03.)									
11	1	26306-100002	NUT, M10	1							W
		(A=*2021.03.)									

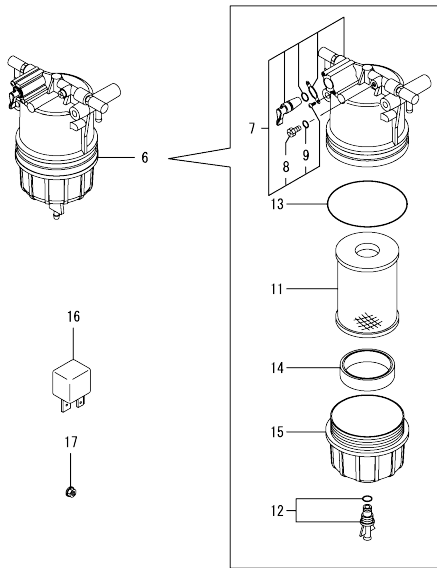
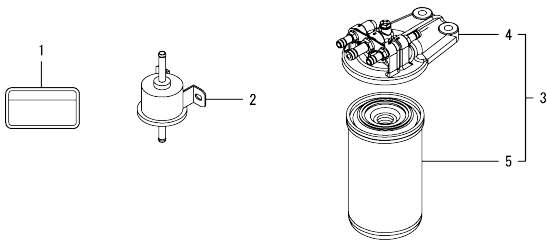
Fig.22. ACCESSORY(4)



No.	Lev.	Parts No.	Description	Q'ty						I	R
				(A)	(B)	(C)	(D)	(E)	(F)		
1	1	129960-03990	CLAMP, HOSE 19.8	2							
2	1	129A00-12910	GASKET, THROTTLE	1							
3	1	129C36-13350	PIPE, EXHAUST	1							
4	1	129F01-13650	BOLT, M10X40 10.9T	2							
5	1	129E00-16600	GASKET, DPF	1							
6	1	129A00-16610	BOLT, M8X28 10.9T	10							
6-1	1	129A00-16610	BOLT, M8X28 10.9T	10							Z
(A=*2021.03.)											
7	1	172B02-17150	RELAY, CA TYPE C	1							
8	1	129508-18090	GASKET, TURBINE OUT	1							
9	1	129A01-18210	JOINT, RUBBER	1							
10	1	129C01-18220	JOINT, RUBBER	1							
11	1	119131-18320	STUD, M8X22	5							
11-1	1	129418-18320	STUD, M8X20	5							N
(A=*2021.03.)											
12	1	129418-18320	STUD, M8X20	4							
13	1	129558-33010	COOLER ASSY, OIL	1							
14	2	129508-33050	O-RING	1							
15	1	123910-33100	BOLT, CENTER	1							
16	1	129558-35000	BRACKET ASSY, FILTER	1							
17	2	124160-01910	PLUG, PT1/4	1							
19	1	129150-35111	GASKET, BRACKET	1							
20	1	129612-42360	V-BELT, A39	1							
21	1	129122-44480	JOINT, PT1/4	1							
22	1	129558-49150	PIPE, COOLER INLET	1							
23	2	171008-03990	CLAMP, HOSE 18.5	2							
24	2	129558-49160	PIPE, WATER	1							
25	1	129956-49210	PIPE ASSY, WATER	1							
27	2	129956-49230	TUBE, CORRUGATED	1							
28	1	129103-49301	ELBOW, PT1/4	1							
29	1	26106-080252	BOLT, M8X 25 PLATED	2							
30	1	26106-080452	BOLT, M8X 45 PLATED	1							

N:Old  $\frac{100}{100}$  New, Q:Old  $\frac{100}{100}$  New, R:Old  $\frac{100}{100}$  New, S:Old  $\frac{100}{100}$  New, W:Add, Z:Discontinued, F:Interchangeable by set, K:Q'ty Change  
 Copyright (C) 2020 YANMAR GLOBAL CS CO., LTD. All Rights Reserved.

Fig.23. ACCESSORY(5)



(A)=4TNV86CHT-MCR  
(B)=  
(C)=

(D)=  
(E)=  
(F)=

No.	Lev.	Parts No.	Description	Q'ty						I	R
				(A)	(B)	(C)	(D)	(E)	(F)		
1	1	114110-07761	LABEL, FUEL CAUTION	1							
2	1	119225-52102	PUMP, FUEL FEED	1							
3	1	129A00-55600	FILTER ASSY, FUEL	1							
4	2	129A00-55610	BRACKET ASSY, FILTER	1							
5	2	129A00-55800	FILTER, FUEL	1							
6	1	129E22-55710	FILTER ASSY,FUEL PRE	1							
7	2	129E00-55710	BODY ASSY	1							
8	3	129A00-55751	PLUG, AIR VENT	1							
9	3	129A00-55760	O-RING	1							
11	2	129A00-55730	ELEMENT, FUEL FILTER	1							
12	2	129242-55740	PLUG, DRAIN	1							
13	2	129A00-55740	O-RING	1							
14	2	129A00-55770	FLOAT	1							
15	2	129A00-55790	CUP, CLEAR	1							
16	1	129927-77920	RELAY, ISO 70A	2							
17	1	26306-080002	NUT, M8	9							

## Parts No. Index

Parts No.	Fig. No.	Ref. No.	Parts No.	Fig. No.	Ref. No.	Parts No.	Fig. No.	Ref. No.	Parts No.	Fig. No.	Ref. No.
105425-01690	3	6	124465-44950	13	37	129242-77120	20	5	129698-77020	20	2
114110-07761	23	1	124550-21600	9	16	129242-77130	20	6	129698-77190	20	13
114270-59010	16	9	128170-14150	10	3	129242-77140	20	7	129698-77200	20	14
118400-77170	20	11	129001-01250	1	4	129242-77150	20	8	129698-77220	20	16
119131-18320	22	11	129001-02931	1	31	129242-77160	20	9	129698-77230	20	17
119225-52102	23	2	129004-03010	4	40	129242-77170	20	10	129698-77250	20	18
119309-01810	1	29	129004-11650	4	7	129242-77180	20	12	129792-39410	12	14
119609-32040	2	5	129004-42040	13	19	129242-77210	20	15	129795-01950	2	4
119624-32040	2	6	129005-11100	4	22	129242-77260	20	19	129795-01960	10	1
119640-61400	4	55	129008-77800	4	80	129242-77270	20	21	129795-02412	1	9
119761-39450	12	1	129009-11340	4	49	129242-77280	20	22	129795-11120	4	23
119802-11260	4	4	129100-01580	2	2	129266-39620	12	9	129795-11180	4	25
119802-11270	4	5		3	1	129350-49530	13	31	129795-21661	9	11
119802-25071	7	33			14	129400-28121	9	6	129795-49551	13	32
119802-35100	11	21		9	2	129400-28150	10	8	129900-07900	4	74
119802-35110	11	22	129100-11130	4	24	129410-03990	4	68	129908-77200	21	1
119803-21200	9	4	129100-23910	9	35	129418-18320	6	7	129908-77220	21	9
119803-77830	4	79	129100-35140	11	23			20	129908-77360	21	10
119934-01800	2	20	129100-42051	13	3			22	129908-77710	21	2
120130-11860	4	82	129103-49301	22	28			12	129908-77720	21	3
120270-54410	4	32	129120-42351	13	27	-1			129908-77730	21	4
121023-26071	2	10	129122-44480	2	7			10	129908-77740	21	5
121111-21501	9	13		22	21	129457-28000	10	2	129908-77750	21	6
121252-39150	12	3	129150-01200	1	27	129457-28011	10	5	129908-77760	21	7
121450-42450	13	35	129150-02020	1	6	129457-34810	11	16	129908-77770	21	8
121520-34810	11	15	129150-02450	7	4	129484-26210	7	29	129908-77780	21	8
121550-23200	9	32	129150-02871	1	34	129486-01670	3	18	129927-13810	6	27
121850-21290	9	5	129150-02931	1	24	129486-32020	11	13	129927-44900	13	36
	10	4	129150-02941	1	37	129486-42021	13	18	129927-77920	23	16
121850-21680	9	12	129150-03070	4	41	129486-42140	13	20	129928-49420	13	39
122780-59100	15	12	129150-03700	4	41	129508-18080	8	2	129930-13201	19	1
123907-03100	4	42	129150-11230	4	8	129508-18090	22	8	129956-49210	22	25
123907-03110	4	43	129150-11280	4	6	129508-33050	22	14	129956-49230	22	27
123907-03120	4	44	129150-11370	4	12	129550-01702	3	4	129960-03990	13	42
123907-03140	4	45	129150-11750	4	10	129550-42350	13	27			45
123910-33100	22	15	129150-11810	4	83	129553-39650	12	20			48
124060-01050	1	11	129150-14200	7	1	129555-01750	3	9			1
124160-01751	2	3	129150-14400	7	2	129558-21000	9	1	129978-11871	4	30
	4	37	129150-23601	9	33	129558-21660	9	10	129978-12700	4	50
124160-01910	1	12	129150-23611	9	36	129558-33010	22	13	129978-17700	19	31
	13		129150-35042	11	17	129558-35000	22	16	129A00-11330	4	48
	22	17	129150-35111	11	24	129558-49150	22	22	129A00-11340	4	27
124160-11360	4	38		22	19	129558-49160	22	24	129A00-11900	4	31
124160-39140	12	2	129150-35153	11	27	129601-11241	4	1	129A00-12711	4	70
124195-77770	20	23	129150-42290	13	9	129601-11251	4	2	129A00-12721	5	5
124223-39900	12	5	129150-49811	13	30	129612-42360	22	20	129A00-12780	4	51
124240-01871	2	13	129202-22300	9	26	129648-01600	3	15	129A00-12790	4	71
			129242-55740	23	12	129648-01780	3	17	129A00-12810	5	7
124395-49840	13	21	129242-77010	20	1	129657-01730	3	5	129A00-12900	5	23
124460-11340	4	26	129242-77100	20	3	129657-35090	11	18	129A00-12910	5	24
			129242-77110	20	4	129677-59501	16	1		22	2



## Parts No. Index

Parts No.	Fig. No.	Ref. No.
26106-080122	18	19
26106-080142	2	16
	7	10
	10	20
	18	20
	19	16
	33	33
	33	-1
26106-080162	2	9
		23
	4	77
	13	24
26106-080202	11	26
26106-080222	13	33
26106-080252	3	10
	4	34
		78
	6	28
	15	11
	22	29
26106-080302	14	8
26106-080352	2	17
		24
	4	35
	11	20
26106-080402	2	25
	7	27
	13	52
26106-080452	7	17
	13	25
	22	30
26106-080502	3	11
	4	36
	5	6
		18
	6	21
26106-080602	2	26
	10	22
	13	26
26106-080752	5	19
26106-080802	10	23
26106-080852	2	27
26106-081002	3	12
26106-081202	3	13
26106-100202	2	12
26106-120252	20	24
26106-120402	20	24 -1
26206-100202	3	3
26216-060202	5	4
26216-080352	5	15

Parts No.	Fig. No.	Ref. No.
26216-081052	5	20
26226-080182	4	11
26306-080002	5	21
	6	29
		33
	8	3
	19	17
		34
		34 -1
	23	17
26306-100002	21	11
26366-060002	15	20
26450-060162	3	20
	4	60
	7	12
26450-060252	11	14
26776-180002	7	20
27241-120000	1	14
27241-300000	1	10
27241-400000	4	21
27310-080001	4	28
29621-200000	18	21
729402-23100	9	28
729490-28510	10	9
729490-28520	10	14
X2114535200	20	20

Parts No.	Fig. No.	Ref. No.
-----------	----------	----------

Parts No.	Fig. No.	Ref. No.
-----------	----------	----------