

0CD50-M03700EN

P R E F A C E

This parts catalog is the 1st edition of 4TNV86CHT-MVX for Roberine.

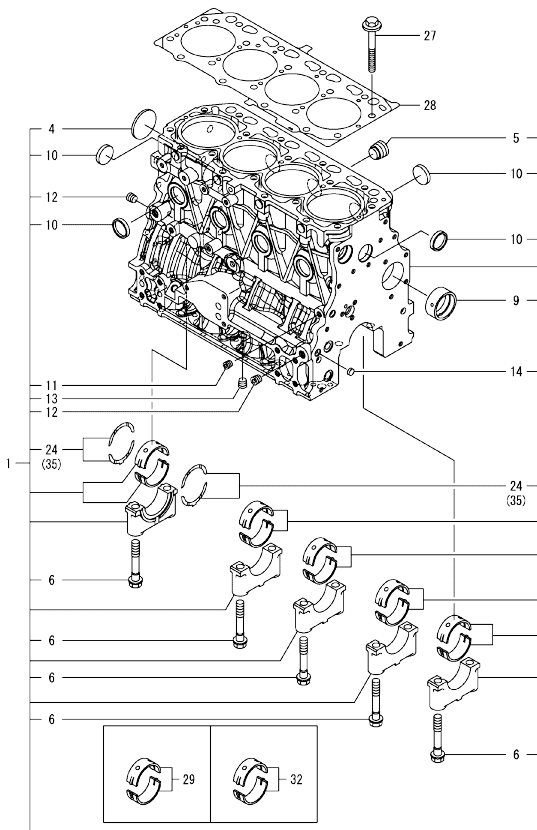
Published : February, 2018

Contents

0CD50-M03700

Fig. No.	Fig. Name	Fig. No.	Fig. Name
ENGINE			
1.	CYLINDER BLOCK		
2.	GEAR HOUSING		
3.	FLYWHEEL HOUSING & OIL SUMP		
4.	CYLINDER HEAD & BONNET		
5.	SUCTION MANIFOLD		
6.	EXHAUST MANIFOLD		
7.	DIESEL PARTICULATE FILTER(DPF)		
8.	CAMSHAFT & DRIVING GEAR		
9.	TURBINE		
10.	CRANKSHAFT & PISTON		
11.	LUB. OIL SYSTEM		
12.	LUB. OIL PIPE		
13.	COOLING WATER SYSTEM		
14.	FUEL SUPPLY PUMP		
15.	FUEL INJECTION VALVE		
16.	FUEL PIPE		
17.	STARTER MOTOR		
18.	GENERATOR		
19.	ELECTRONIC CONTROL UNIT(ECU)		
20.	ELECTRIC PARTS		
21.	ACCESSORY		

Fig.1. CYLINDER BLOCK



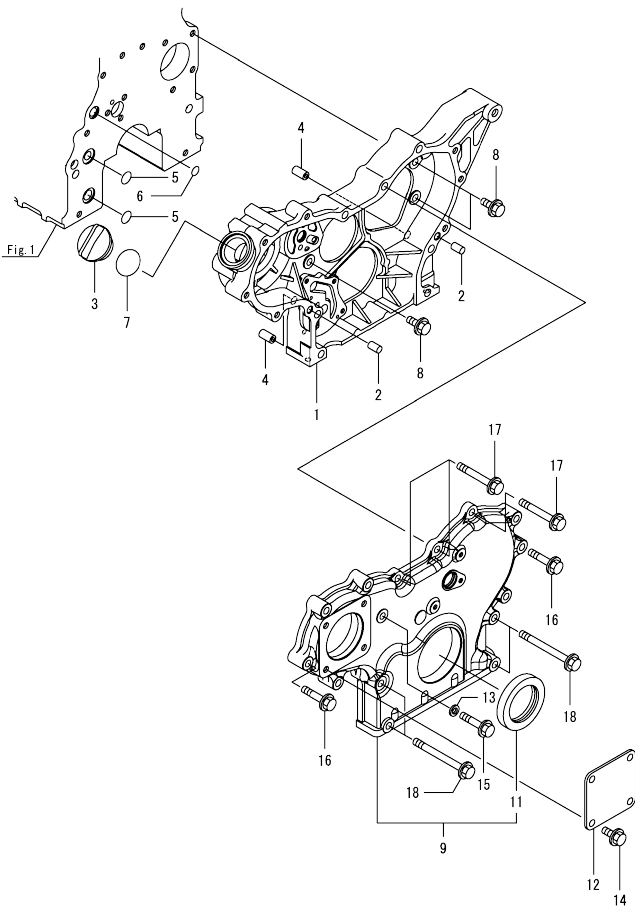
(A)=4TNV86CHT-MVX
(B)=
(C)=

(D)=
(E)=
(F)=

No.	Lev.	Parts No.	Description	Q'ty						I	R
				(A)	(B)	(C)	(D)	(E)	(F)		
1	1	129C01-01560	BLOCK ASSY, CYLINDER	1							
4	2	129001-01250	PLUG, 50	1							
5	2	171051-01921	PLUG, NPTF1	1							
6	2	129150-02020	BOLT, METAL CAP	10							
9	2	129795-02412	BUSH, CAMSHAFT	1							
10	2	27241-300000	PLUG 30	8							
11	2	124060-01050	PLUG, PT1/8	1							
12	2	124160-01910	PLUG, PT1/4	2							
13	2	124160-01910	PLUG, PT1/4	1							
14	2	27241-120000	PLUG, 12	1							
24	2	129150-02931	METAL ASSY, THRUST	2							
27	1	129150-01200	BOLT, CYLINDER HEAD	18							
28	1	129C01-01331	GASKET ASSY, HEAD	1							
29	1	129001-02931	METAL ASSY, MAIN	5							1
32	1	129150-02871	METAL ASSY, MAIN .25	5							2
35	1	129150-02941	METAL ASSY, 0.25 OS	1							3

Remarks
 (1)Spare parts.
 (2)Under-sized(U.S.=0.25) parts.
 (3)Over-sized(O.S.=0.25) parts.

Fig.2. GEAR HOUSING

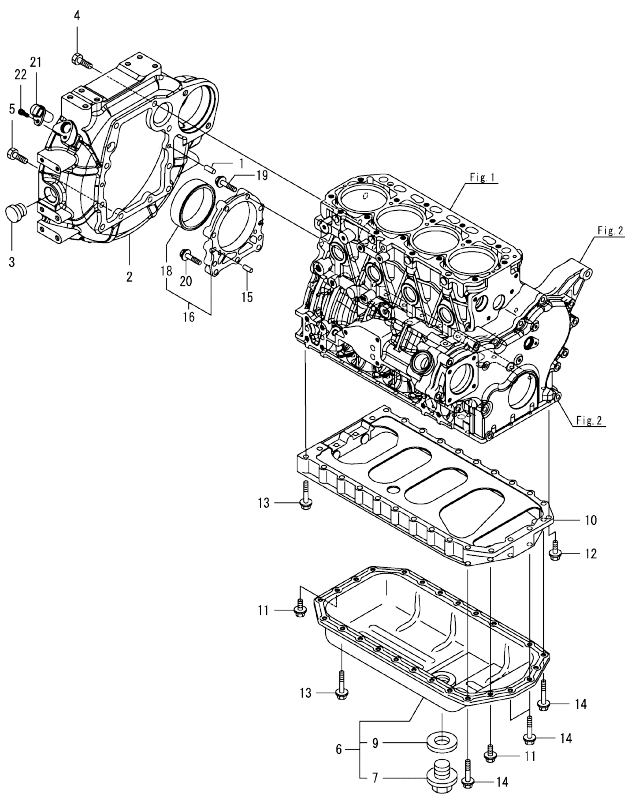


(A)=4TNV86CHT-MVX
(B)=
(C)=

(D)=
(E)=
(F)=

No.	Lev.	Parts No.	Description	Q'ty						I	R
				(A)	(B)	(C)	(D)	(E)	(F)		
1	1	129A23-01500	CASE, GEAR	1							
2	1	129100-01580	PIN, PARALLEL 8X16	2							
3	1	124160-01751	CAP, FILLER	1							
4	1	129795-01950	PIPE, KNOCK L=18	2							
5	1	119609-32040	O-RING, P16	2							
6	1	119624-32040	O-RING, P12.0	1							
7	1	24311-000320	O-RING, 1AP32.0	1							
8	1	26106-080162	BOLT, M8X 16 PLATED	3							
9	1	129A00-01550	COVER ASSY, CASE	1							
11	2	119934-01800	SEAL, OIL	1							
12	1	124240-01871	COVER, HYDRAULIC PUMP	1							
13	1	22190-080002	WASHER, SEAL 8	1							
14	1	26106-080162	BOLT, M8X 16 PLATED	4							
15	1	26106-080352	BOLT, M8X 35 PLATED	1							
16	1	26106-080402	BOLT, M8X 40 PLATED	7							
17	1	26106-080602	BOLT, M8X 60 PLATED	3							
18	1	26106-080852	BOLT, M8X 85 PLATED	4							

Fig.3. FLYWHEEL HOUSING & OIL SUMP



(A)=4TNV86CHT-MVX
(B)=
(C)=

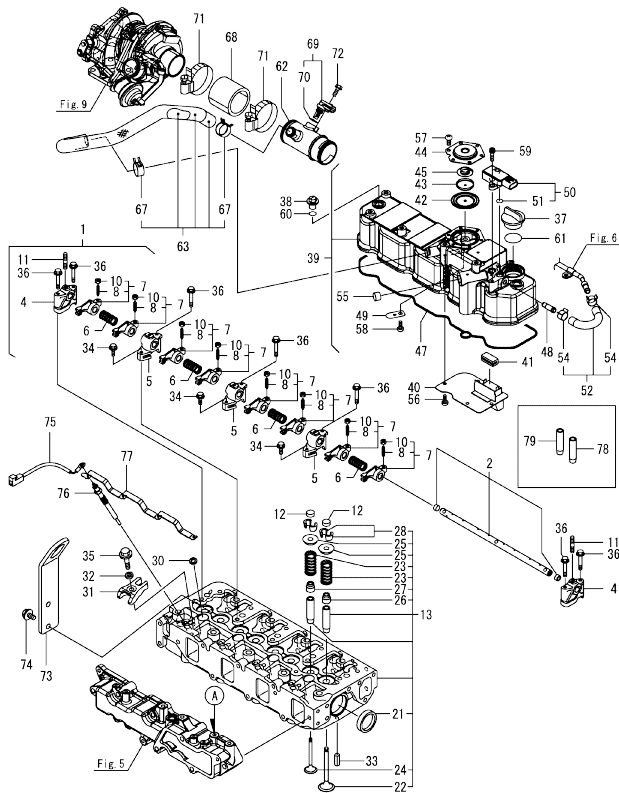
(D)=
(E)=
(F)=

No.	Lev.	Parts No.	Description	Q'ty						I	R
				(A)	(B)	(C)	(D)	(E)	(F)		
1	1	129100-01580	PIN, PARALLEL 8X16	2							
2	1	129A00-01602	HOUSING, FLYWHEEL	1							
3	1	119620-01750	CAP, WHEEL COVER	1							
4	1	26206-100252	BOLT, M10X 25 PLATED	6							
5	1	26206-100302	BOLT, M10X 30 PLATED	4							
6	1	729400-01720	OIL PAN ASSY	1							
7	2	119640-01640	PLUG, DRAIN M22	1							
9	2	22190-220002	WASHER, SEAL 22	1							
10	1	129400-01730	SPACER, OIL PAN	1							
11	1	26106-080162	BOLT, M8X 16 PLATED	4							
12	1	26106-080252	BOLT, M8X 25 PLATED	2							
13	1	26106-080452	BOLT, M8X 45 PLATED	20							
14	1	26106-080502	BOLT, M8X 50 PLATED	4							
15	1	129100-01580	PIN, PARALLEL 8X16	2							
16	1	129100-01640	CASE ASSY, OIL SEAL	1							
18	2	129795-01780	SEAL, OIL	1							
19	1	129486-01670	BOLT, M8X30	6							
20	1	26106-080352	BOLT, M8X 35 PLATED	3							
21	1	129A00-21710	SENSOR, FLYWHEEL	1							1
22	1	26450-060162	BOLT, M6X 16	1							

Remarks

(1)When replacing this part, it is necessary to update the software of the ECU using the designated service tool. Please refer to the Service Manual for details.

Fig.4. CYLINDER HEAD & BONNET



(A)=4TNV86CHT-MVX
(B)=
(C)=

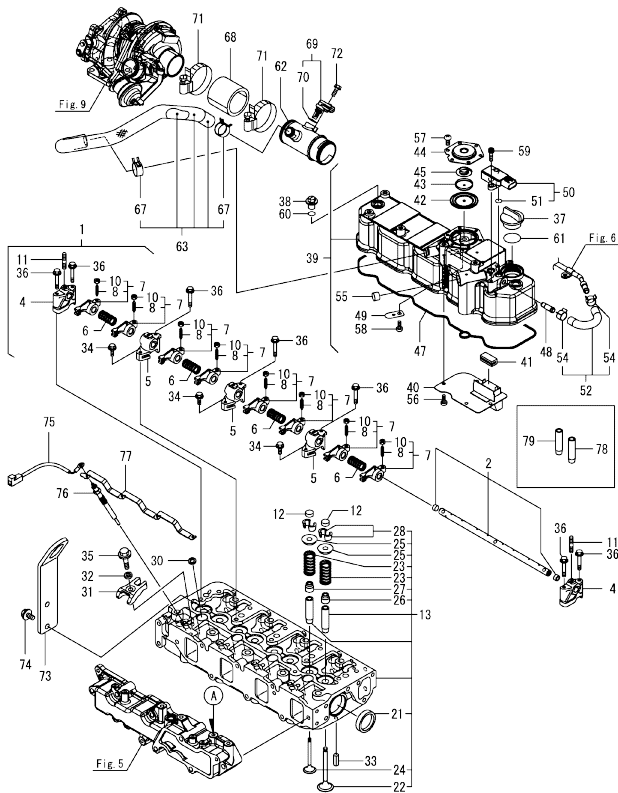
(D)=
(E)=
(F)=

No.	Lev.	Parts No.	Description	Q'ty						I	R
				(A)	(B)	(C)	(D)	(E)	(F)		
1	1	129601-11241	SHAFT ASSY, ROCKER	1							
2	2	129601-11251	SHAFT, ROCKER ARM	1							
4	2	119802-11260	SUPPORT, ROCKER ARM	2							
5	2	119802-11270	SUPPORT, ROCKER ARM	3							
6	2	129150-11280	SPRING, SHAFT	4							
7	2	129004-11650	ARM ASSY, ROCKER	8							
8	3	129150-11230	SCREW, VALVE ADJUST	8							
10	3	129150-11750	NUT, M8XP1.0	8							
11	2	26226-080182	STUD, M8X 18	3							
12	1	129150-11370	CAP, VALVE	8							
13	1	129C01-11700	HEAD ASSY, CYLINDER	1							
21	2	27241-400000	PLUG, 40	2							
22	2	129005-11100	VALVE, INTAKE	4							
23	2	129795-11120	SPRING, VALVE	8							
24	2	129100-11130	VALVE, EXHAUST	4							
25	2	129795-11180	RETAINER, SPRING	8							
26	2	124460-11340	SEAL, VALVE STEM	4							
27	2	129A00-11340	SEAL, VALVE STEM	4							
28	2	27310-080001	COTTER, 8	8							
30	1	129978-11871	GASKET, INJECTOR	4							
31	1	129A00-11900	RETAINER, INJECTOR	4							
32	1	120270-54410	WASHER, INJECTOR	4							
33	1	22351-060012	PIN, SPRING 6.0X12	2							
34	1	26106-080252	BOLT, M8X 25 PLATED	3							
35	1	26106-080352	BOLT, M8X 35 PLATED	4							
36	1	26106-080502	BOLT, M8X 50 PLATED	7							
37	1	124160-01751	CAP, FILLER	1							
38	1	124160-11360	KNOB, BONNET	3							
39	1	129C01-11360	BONNET ASSY, HEAD	1							
40	2	129004-03010	PLATE, BAFFLE	1							
41	2	129150-03070	BAFFLE, BREATHER	1							
42	2	123907-03100	DIAPHRAGM, BREATHER	1							
43	2	123907-03110	PLATE, CENTER	1							
44	2	123907-03120	PLATE, BREATHER	1							
45	2	123907-03140	SPRING, DIAPHRAGM	1							
47	2	129C00-11310	GASKET, BONNET	1							
48	2	129A00-11330	JOINT	1							
49	2	129009-11340	SPRING, PLATE	1							
50	2	129978-12700	SENSOR, PRESSURE	1							1
51	3	129A00-12780	O-RING, EGR SENSOR	2							
52	2	129A00-13360	HOSE ASSY, PRESSURE	1							
54	3	129A00-13380	CLIP, HOSE 14	2							
55	2	119640-61400	PLUG	1							
56	2	22857-500100	SCREW, 5X10	4							
57	2	22857-500100	SCREW, 5X10	6							
58	2	22857-500100	SCREW, 5X10	1							
59	2	26450-060162	BOLT, M6X 16	2							
60	1	24311-000120	O-RING, 1AP12.0	3							
61	1	24311-000320	O-RING, 1AP32.0	1							
62	1	129C01-03060	JOINT, BREATHER	1							
63	1	129C01-03130	HOSE ASSY, BREATHER	1							

Remarks

- (1)When replacing this part, it is necessary to update the software of the ECU using the designated service tool. Please refer to the Service Manual for details.
- (2)Spare parts.

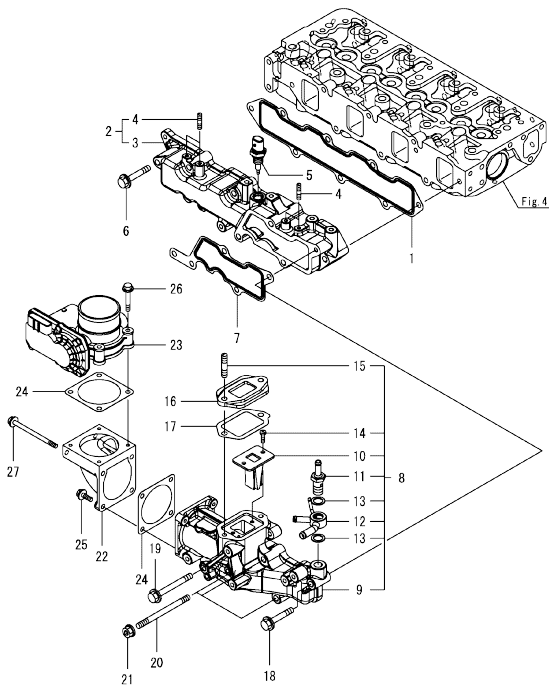
Fig.4. CYLINDER HEAD & BONNET



No.	Lev.	Parts No.	Description	Q'ty						I	R
				(A)	(B)	(C)	(D)	(E)	(F)		
67	2	129410-03990	CLAMP, HOSE 21.5	2							
68	1	129C01-12060	HOSE, AIR INTAKE	1							
69	1	129A00-12711	SENSOR, TEMPERATURE	1							
70	2	129A00-12790	O-RING, TEMP SENSOR	1							
71	1	23000-060000	CLAMP, 60	2							
72	1	26106-060162	BOLT, M6X 16 PLATED	1							
73	1	129C20-07900	LIFTER, ENGINE	1							
74	1	26106-080162	BOLT, M8X 16 PLATED	2							
75	1	119803-77830	HARNES, WIRE	1							
76	1	129008-77800	PLUG, GLOW	4							
77	1	129C00-77820	CONNECTOR, GLOW PLUG	1							
78	1	120130-11860	GUIDE, VALVE	4							2
79	1	129150-11810	GUIDE, VALVE	4							2

Remarks
 (1)When replacing this part, it is necessary to update the software of the ECU using the designated service tool.
 Please refer to the Service Manual for details.
 (2)Spare parts.

Fig.5. SUCTION MANIFOLD



(A)=4TNV86CHT-MVX
(B)=
(C)=

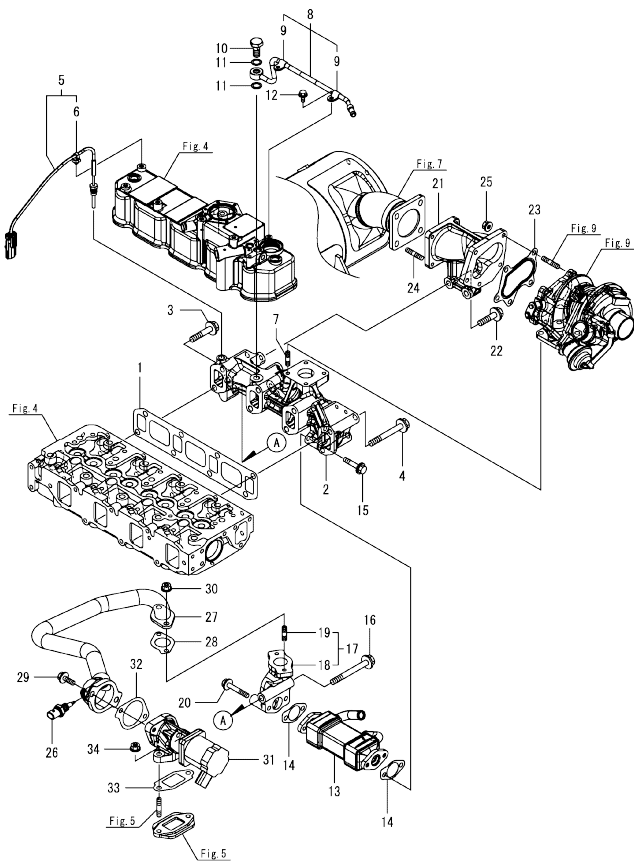
(D)=
(E)=
(F)=

No.	Lev.	Parts No.	Description	Q'ty						I	R
				(A)	(B)	(C)	(D)	(E)	(F)		
1	1	129C00-12110	GASKET, MANIFOLD	1							
2	1	129C01-12150	MANIFOLD ASSY,INTAKE	1							
3	2	129C01-12100	MANIFOLD, INTAKE	1							
4	2	26216-060202	STUD, M6X 20	4							
5	1	129A00-12721	SENSOR,AIR TEMP	1							1
6	1	26106-080502	BOLT, M8X 50 PLATED	5							
7	1	129A00-12810	GASKET, COLLECTOR	1							
8	1	129A01-12851	COLLECTOR ASSY	1							
9	2	129A01-12800	COLLECTOR, INTAKE	1							
10	2	129C01-13700	VALVE, REED	1							
11	2	129A00-59110	JOINT, HOSE M14	1							
12	2	129A00-59120	JOINT, HOSE 14	1							
13	2	22190-140002	WASHER, SEAL 14	2							
14	2	22857-500160	SCREW, 5X16	2							
15	2	26216-080352	STUD, M8X 35	2							
16	1	129A00-13710	SPACER, EGR VALVE	1							
17	1	129A00-13720	GASKET, EGR-V SPACER	1							
18	1	26106-080502	BOLT, M8X 50 PLATED	1							
19	1	26106-080752	BOLT, M8X 75 PLATED	1							
20	1	26216-081052	STUD, M8X105	3							
21	1	26306-080002	NUT, M8	3							
22	1	129A00-12820	BEND, INTAKE	1							
23	1	129A00-12900	THROTTLE, INTAKE	1							1
24	1	129A00-12910	GASKET, THROTTLE	2							
25	1	26106-060202	BOLT, M6X 20 PLATED	2							
26	1	26106-060402	BOLT, M6X 40 PLATED	4							
27	1	26106-060902	BOLT, M6X 90 PLATED	2							

Remarks

(1)When replacing this part, it is necessary to update the software of the ECU using the designated service tool. Please refer to the Service Manual for details.

Fig.6. EXHAUST MANIFOLD



(A)=4TNV86CHT-MVX
(B)=
(C)=

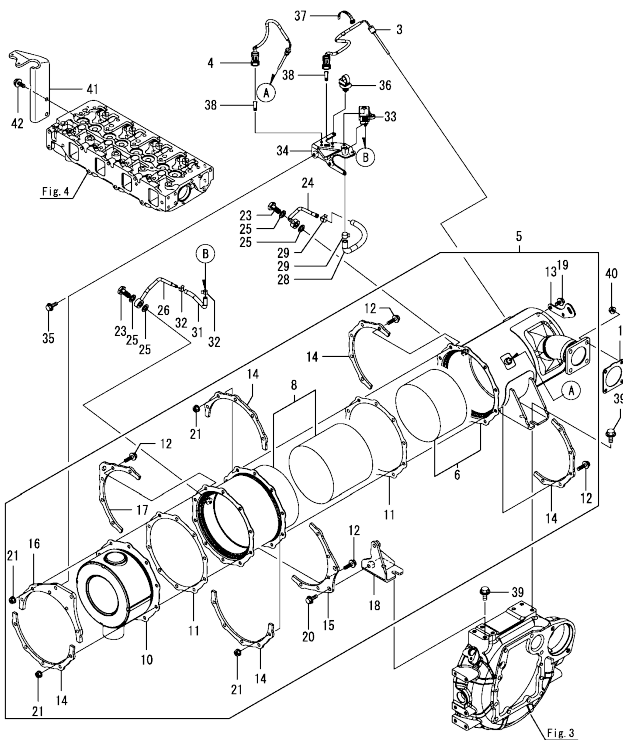
(D)=
(E)=
(F)=

No.	Lev.	Parts No.	Description	Q'ty						I	R
				(A)	(B)	(C)	(D)	(E)	(F)		
1	1	129C00-13110	GASKET, MANIFOLD	1							
2	1	129C01-13110	MANIFOLD, EXHAUST	1							
3	1	129A01-13601	BOLT, M10X50 10.9T	1							
4	1	129F01-13630	BOLT, M10X80 10.9T	7							
5	1	129C01-13770	SENSOR, TEMPERATURE	1							1
6	2	129A00-91200	CLIP, BAND	1							
7	1	129418-18320	STUD, M8X20	4							
8	1	129A00-13300	PIPE ASSY, PRESSURE	1							
9	2	23297-080061	CLAMP, A8X 6	2							
10	1	129A00-13350	BOLT, PIPE JOINT	1							
11	1	23414-120000	GASKET, 12X1.0	2							
12	1	26106-060122	BOLT, M6X 12 PLATED	2							
13	1	129A00-13400	COOLER, EGR	1							
14	1	129A00-13410	GASKET, EGR COOLER	2							
15	1	129F01-13600	BOLT, M10X90 10.9T	1							
16	1	129E00-13620	BOLT, M8X40 10.9	2							
17	1	129A00-13851	PIPE, EGR OUTLET	1							
18	2	129A00-13861	PIPE, EGR OUTLET	1							
19	2	129418-18320	STUD, M8X20	2							
20	1	26106-080502	BOLT, M8X 50 PLATED	2							
21	1	129C01-13350	PIPE, EXHAUST	1							
22	1	129F01-13650	BOLT, M10X40 10.9T	2							
23	1	129508-18090	GASKET, TURBINE OUT	1							
24	1	119131-18320	STUD, M8X22	4							
25	1	26306-080002	NUT, M8	5							
26	1	129A00-13752	SENSOR,EGR GAS TEMP	1							1
27	1	129C00-13800	PIPE, EGR	1							
28	1	129927-13810	GASKET, EGR PIPE	1							
29	1	26106-080252	BOLT, M8X 25 PLATED	2							
30	1	26306-080002	NUT, M8	2							
31	1	129C00-13901	VALVE, EGR	1							1
32	1	129A00-13910	GASKET, EGR-V INLET	1							
33	1	129A00-13920	GASKET, EGR-V OUTLET	1							
34	1	26306-080002	NUT, M8	2							

Remarks

(1)When replacing this part, it is necessary to update the software of the ECU using the designated service tool. Please refer to the Service Manual for details.

Fig.7. DIESEL PARTICULATE FILTER(DPF)



(A)=4TNV86CHT-MVX
(B)=
(C)=

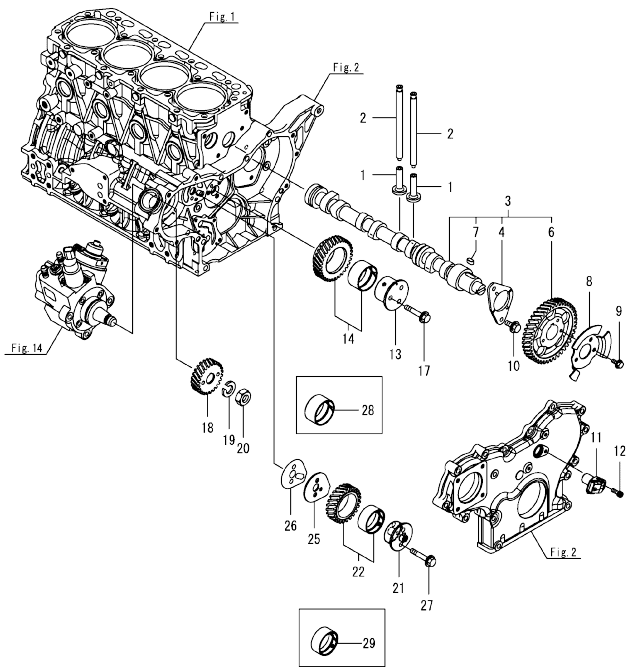
(D)=
(E)=
(F)=

No.	Lev.	Parts No.	Description	Q'ty						I	R
				(A)	(B)	(C)	(D)	(E)	(F)		
1	1	129930-13201	GASKET, SILENCER	1							
3	1	129C00-13940	SENSOR, EXH. TEMP.	1							1
3-1	1	129C00-13860	SENSOR, ATD TEMP. DS+	1							N 1
(A=E27889)											
4	1	129C00-13950	SENSOR, EXH. TEMP.	1							1
4-1	1	129C00-13870	SENSOR, ATD TEMP. DS+	1							N 1
(A=E27889)											
5	1	129C35-16040	DPF ASSY	1							1
6	2	129C35-16200	CASE, DOC	1							1
8	2	129C01-16400	CASE, SOOT FILTER	1							1
10	2	129E00-16500	SILENCER, DPF	1							
11	2	129E00-16600	GASKET, DPF	2							
12	2	129A00-16610	BOLT, M8X28 10.9T	20							
13	2	129C01-16680	LIFTER, DPF	1							
14	2	129C01-16700	STIFFENER, DPF A	5							
15	2	129C01-16710	STIFFENER, DPF B	1							
16	2	129C01-16730	STIFFENER, DPF C	1							
17	2	129C01-16740	STIFFENER, DPF C	1							
18	2	129C01-16800	STAY, DPF	1							
19	2	26106-080142	BOLT, M8X 14 PLATED	2							
20	2	26106-100222	BOLT, M10X 22 PLATED	2							
21	2	26306-080002	NUT, M8	20							
23	1	129A00-13350	BOLT, PIPE JOINT	2							
24	1	129E00-17300	PIPE ASSY, PRESSURE	1							
25	1	129A00-17311	GASKET, SENSOR	4							
26	1	129E00-17350	PIPE ASSY, PRESSURE	1							
28	1	129978-17500	HOSE, PRES EXH	1							
29	1	129A00-17520	CLIP, HOSE	2							
31	1	129A00-17560	HOSE, PRES EXH	1							
32	1	129A00-17570	CLIP, HOSE	2							
33	1	129978-17700	SENSOR, PRESSURE	1							1
34	1	129A00-17760	BRACKET, SENSOR	1							
35	1	26106-080202	BOLT, M8X 20 PLATED	2							
36	1	129A00-91200	CLIP, BAND	1							
37	1	129C00-91200	BAND	1							
38	1	129A00-91430	CLIP, CONNECTOR	2							
39	1	26106-100202	BOLT, M10X 20 PLATED	4							
40	1	26306-080002	NUT, M8	4							
41	1	129C20-17770	BRACKET, SENSOR	1							
41-1	1	129C35-17760	BRACKET, PRES SENSOR	1							N
(A=E14505)											
42	1	26106-080162	BOLT, M8X 16 PLATED	2							
42-1	1	26106-080202	BOLT, M8X 20 PLATED	2							N
(A=E14505)											

Remarks

(1)When replacing this part, it is necessary to update the software of the ECU using the designated service tool. Please refer to the Service Manual for details.

Fig.8. CAMSHAFT & DRIVING GEAR



(A)=4TNV86CHT-MVX
(B)=
(C)=

(D)=
(E)=
(F)=

No.	Lev.	Parts No.	Description	Q'ty						I	R
				(A)	(B)	(C)	(D)	(E)	(F)		
1	1	129150-14200	TAPPET	8							
2	1	129150-14400	ROD, PUSH L=178	8							
3	1	129C00-14580	CAMSHAFT ASSY	1							
4	2	129150-02450	METAL, THRUST	1							
6	2	129A00-14100	GEAR, CAMSHAFT	1							
7	2	22512-070140	KEY, 7X 14	1							
8	1	129A00-14700	PULSER, CAMSHAFT	1							
9	1	26106-060102	BOLT, M6X 10 PLATED	3							
10	1	26106-080142	BOLT, M8X 14 PLATED	2							
11	1	129A00-14710	SENSOR, ROTATION	1							
12	1	26450-060162	BOLT, M6X 16	1							
13	1	129A00-25050	SHAFT, IDLE GEAR A	1							
14	1	129A00-25110	GEAR ASSY, IDLE A	1							
17	1	26106-080452	BOLT, M8X 45 PLATED	3							
18	1	129A00-25900	GEAR, SUPPLY PUMP	1							
19	1	22217-180000	WASHER, SPRING 18	1							
20	1	26776-180002	NUT, LOCK M18	1							
21	1	129A00-25060	SHAFT, IDLE GEAR B	1							
22	1	129A00-25120	GEAR ASSY, IDLE B	1							
25	1	129A00-25200	PLATE, IDLE SHAFT B	1							
26	1	129A00-25210	GASKET, IDLE SHAFT B	1							
27	1	26106-080402	BOLT, M8X 40 PLATED	2							
28	1	119802-25071	BUSH, IDLE GEAR	1							1
29	1	129A00-25080	BUSH, IDLE GEAR B	1							1

Remarks
(1)Spare parts.

OCD50-M03700 ENGINE
 Fig.9. TURBINE

OCD50-M03700 Fig.9

(A)=4TNV86CHT-MVX
 (B)=
 (C)=

(D)=
 (E)=
 (F)=

No.	Lev.	Parts No.	Description	Q'ty						I	R
				(A)	(B)	(C)	(D)	(E)	(F)		
1	1	129C01-18011	TURBOCHARGER, RHF4	1							
2	1	129508-18080	GASKET, TURBINE IN	1							
3	1	119131-18320	STUD, M8X22	5							
4	1	26306-080002	NUT, M8	4							

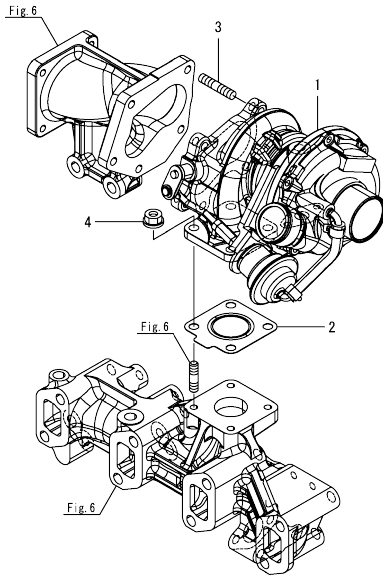
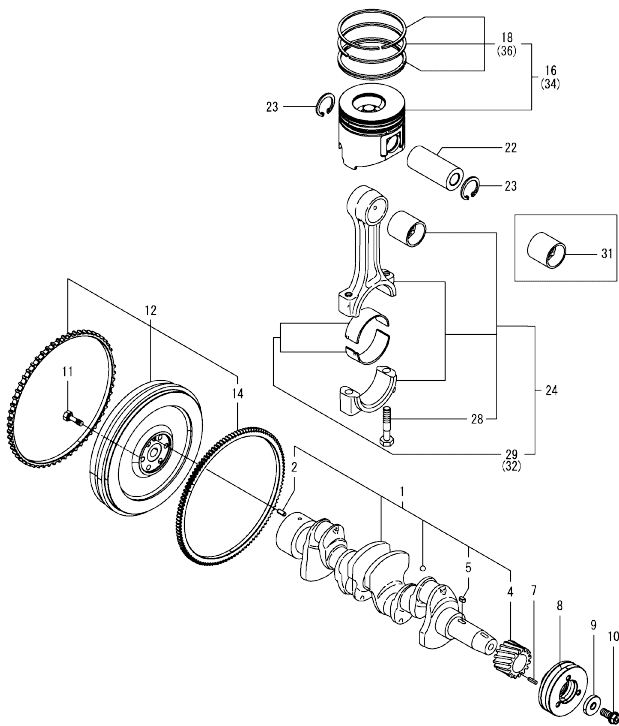


Fig.10. CRANKSHAFT & PISTON



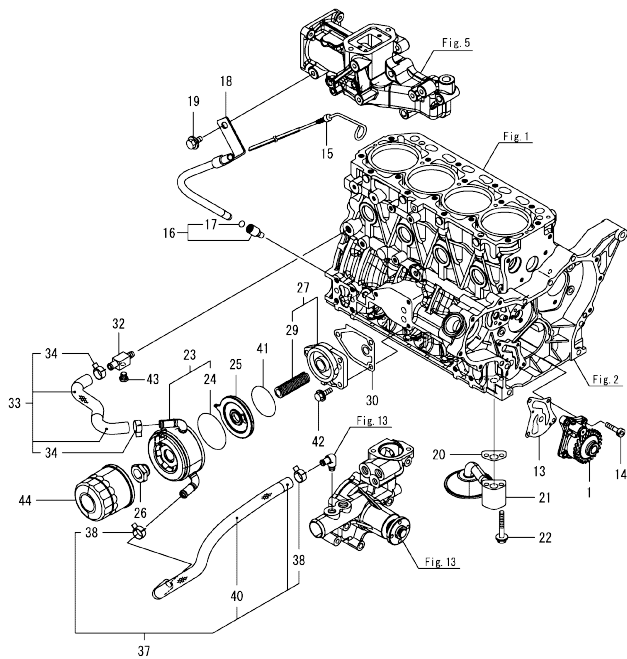
(A)=4TNV86CHT-MVX
(B)=
(C)=

(D)=
(E)=
(F)=

No.	Lev.	Parts No.	Description	Q'ty						I	R
				(A)	(B)	(C)	(D)	(E)	(F)		
1	1	129509-21000	CRANKSHAFT ASSY	1							
2	2	129100-01580	PIN, PARALLEL 8X16	1							
4	2	119803-21200	GEAR, CRANKSHAFT	1							
5	2	22512-070140	KEY, 7X 14	1							
7	1	22351-030010	PIN, SPRING 3.0X10	1							
8	1	129558-21660	V-PULLEY, CRANKSHAFT	1							
9	1	129795-21661	WASHER, 14	1							
10	1	121850-21680	BOLT, V-PULLEY	1							
11	1	121111-21501	BOLT, FLYWHEEL	6							
12	1	129C00-21580	FLYWHEEL ASSY	1							
14	2	119865-21600	GEAR, RING Z=116	1							
16	1	129A01-22080	PISTON ASSY	4							
18	2	129A01-22500	RING SET, PISTON	4							
22	1	129202-22300	PIN, PISTON D26 L70	4							
23	1	22252-000260	RING, 26	8							
24	1	729402-23100	ROD ASSY, CONNECTING	4							
28	3	121550-23200	BOLT, CONNECTING ROD	8							
29	2	129150-23601	METAL ASSY, CRANK PIN	4							
31	1	129100-23910	METAL, PISTON PIN	4							1
32	1	129150-23611	METAL, CRANK PIN .25	4							2
34	1	129A01-22900	PISTON ASSY, 0.25 OS	4							3
36	2	129A01-22950	RING SET, PISTON .25	4							3

Remarks
(1)Spare parts.
(2)Under-sized(U.S.=0.25) parts.
(3)Over-sized(O.S.=0.25) parts.

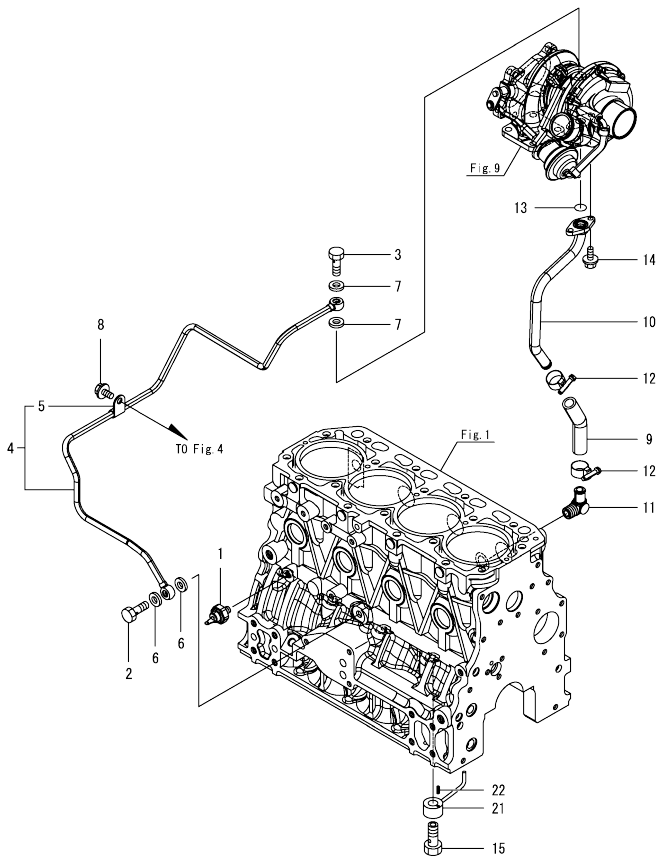
Fig.11. LUB. OIL SYSTEM



No.	Lev.	Parts No.	Description	Q'ty						I	R
				(A)	(B)	(C)	(D)	(E)	(F)		
1	1	129A01-32000	PUMP ASSY, OIL	1							
13	1	129486-32020	GASKET, PUMP	1							
14	1	26450-060252	BOLT, M6X 25	4							
15	1	129602-34801	DIPSTICK, OIL	1							
15-1	1	129005-34802	DIPSTICK, OIL	1							N
(A=E14505)											
16	1	119260-34810	GUIDE, DIPSTICK	1							
16-1	1	121520-34810	GUIDE, DIPSTICK	1							N
(A=E14505)											
17	2	24316-240100	O-RING, 4DP10A	1							Z
(A=E14505)											
18	1	129A00-34870	GUIDE, DIPSTICK	1							Z
(A=E14505)											
19	1	26106-080162	BOLT, M8X 16 PLATED	1							Z
(A=E14505)											
20	1	129150-35042	GASKET, INLET PIPE	1							
21	1	129C61-35000	PIPE ASSY, OIL INLET	1							
22	1	26106-080552	BOLT, M8X 55 PLATED	2							
23	1	129908-33010	COOLER ASSY, OIL	1							
24	2	123912-33050	O-RING	1							
25	1	129C01-33100	BRACKET, COOLER	1							
26	1	129417-33111	NUT, OIL COOLER	1							
27	1	129648-35100	BRACKET ASSY, FILTER	1							
29	2	129648-35150	STUD	1							
30	1	129150-35111	GASKET, BRACKET	1							
32	1	129006-44480	JOINT, R02	1							
33	1	129A01-49030	PIPE, COOLER INLET	1							
34	2	171008-03990	CLAMP, HOSE 18.5	2							
37	1	129A01-49040	PIPE, COOLER OUTLET	1							
38	2	171008-03990	CLAMP, HOSE 18.5	2							
40	2	129608-49090	TUBE, CORRUGATED	1							
41	1	24321-000600	O-RING, 1AG60.0	1							
42	1	26106-080202	BOLT, M8X 20 PLATED	3							
43	1	171056-49120	PLUG, DRAIN R1/4	1							
44	1	129150-35153	FILTER ASSY, D80X80L	1							1

Remarks
(1)Spare parts.

Fig.12. LUB. OIL PIPE

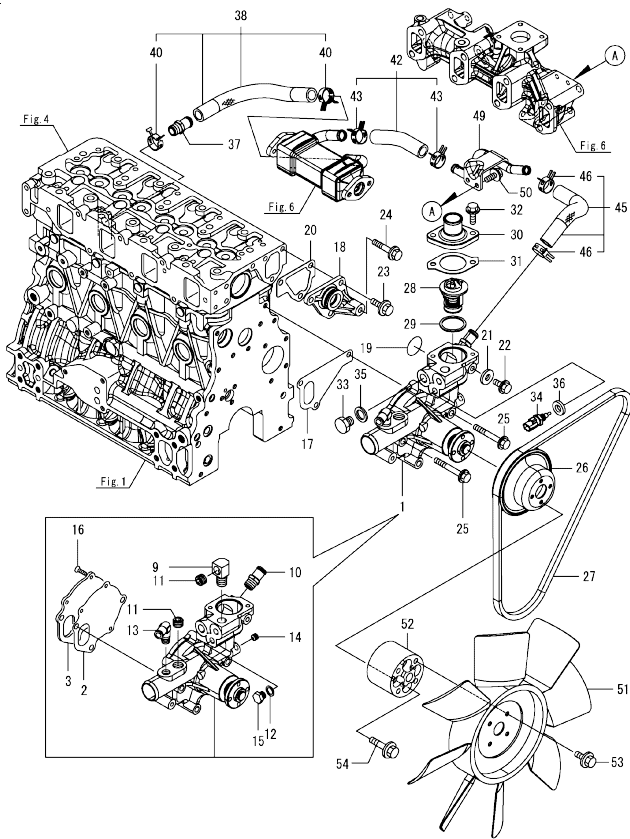


(A)=4TNV86CHT-MVX
(B)=
(C)=

(D)=
(E)=
(F)=

No.	Lev.	Parts No.	Description	Q'ty						I	R
				(A)	(B)	(C)	(D)	(E)	(F)		
1	1	119761-39450	SWITCH, HYDRAULIC	1							
1-1	1	114250-39450	SWITCH, HYDRAULIC	1							N
(A=E14505)											
2	1	124160-39140	BOLT, PIPE JOINT M10	1							
3	1	121252-39150	BOLT, JOINT M10X1.5	1							
4	1	129C01-39450	PIPE ASSY, TURBINE	1							
5	2	124223-39900	RETAINER	1							
6	1	22190-100002	WASHER, SEAL 10	2							
7	1	23414-100000	GASKET, 10X1.0	2							
8	1	26106-080122	BOLT, M8X 12 PLATED	1							
9	1	129044-39610	JOINT, RUBBER	1							
10	1	129C01-39610	PIPE, OIL RETURN	1							
11	1	129466-49300	ELBOW, PT3/8	1							
12	1	23000-022000	CLAMP, 22	2							
13	1	24316-000160	O-RING, 4DP16.0	1							
14	1	26106-060122	BOLT, M6X 12 PLATED	2							
15	1	129792-39410	VALVE ASSY, CHECK	4							
21	1	129553-39650	NOZZLE, COOLING	4							
22	1	22351-030010	PIN, SPRING 3.0X10	4							

Fig.13. COOLING WATER SYSTEM



(A)=4TNV86CHT-MVX
(D)=
(E)=
(F)=

No.	Lev.	Parts No.	Description	Q'ty						I	R
				(A)	(B)	(C)	(D)	(E)	(F)		
1	1	129C35-42010	PUMP ASSY, CW	1							
2	2	129100-42051	GASKET, WATER PUMP	1							
3	2	129100-42121	PLATE, PUMP	1							
9	2	129C20-49350	ELBOW, R3/8	1							
10	2	129928-49420	JOINT	1							
11	2	129916-49740	PLUG, R3/8	2							
12	2	23414-120000	GASKET, 12X1.0	1							
13	2	129103-49301	ELBOW, PT1/4	1							
14	2	23876-010000	PLUG, R01	1							
15	2	23887-120002	PLUG, 12	1							
16	2	26577-060142	SCREW M 6X 14	3							
17	1	129486-42021	GASKET, WATER PUMP	1							
18	1	129004-42040	JOINT, WATER PIPE	1							
19	1	129486-42140	O-RING, G30	1							
20	1	124395-49840	GASKET, THERMOSTAT	1							
21	1	23414-080000	GASKET, 8X1.0	1							
22	1	26106-080122	BOLT, M8X 12 PLATED	1							
23	1	26106-080162	BOLT, M8X 16 PLATED	3							
24	1	26106-080452	BOLT, M8X 45 PLATED	1							
25	1	26106-080602	BOLT, M8X 60 PLATED	3							
26	1	129120-42351	V-PULLEY, PUMP	1							
27	1	129612-42370	V-BELT, A39.5	1							
28	1	129155-49801	THERMOSTAT, 71C	1							
29	1	129150-49811	GASKET, THERMOSTAT	1							
30	1	129350-49530	COVER, THERMOSTAT	1							
31	1	129795-49551	GASKET, COVER	1							
32	1	26106-080222	BOLT, M8X 22 PLATED	2							
33	1	121450-42450	PLUG, M16	1							
34	1	129927-44900	SENSOR, TEMPERATURE	1							1
35	1	124465-44950	GASKET, 16	1							
36	1	22190-120002	WASHER, SEAL 12	1							
37	1	129928-49420	JOINT	1							
38	1	129A00-49610	PIPE ASSY, EGR-C IN	1							
40	2	129960-03990	CLAMP, HOSE 19.8	2							
42	1	129C00-49610	PIPE ASSY, OUTLET A	1							
43	2	129960-03990	CLAMP, HOSE 19.8	2							
45	1	129C00-49620	PIPE ASSY, OUTLET B	1							
46	2	129960-03990	CLAMP, HOSE 19.8	2							
49	1	129C23-49700	PIPE ASSY, WATER	1							
50	1	26106-080162	BOLT, M8X 16 PLATED	2							
51	1	129953-44710	FAN, COOLING D=460	1							
52	1	129601-44770	SPACER, FAN 50MM	1							
53	1	26106-080162	BOLT, M8X 16 PLATED	4							
54	1	26106-060552	BOLT, M6X 55 PLATED	4							

Remarks

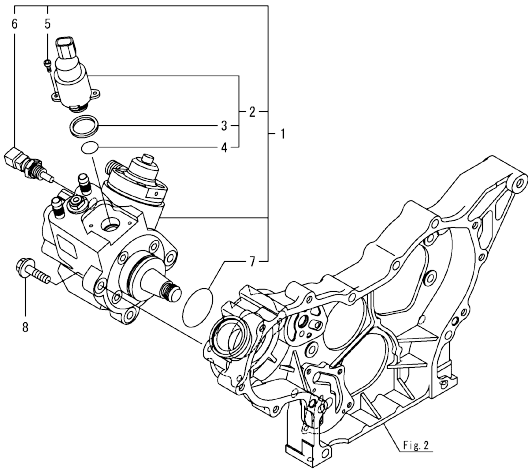
(1)When replacing this part, it is necessary to update the software of the ECU using the designated service tool. Please refer to the Service Manual for details.

Fig.14. FUEL SUPPLY PUMP

(A)=4TNV86CHT-MVX
(B)=
(C)=

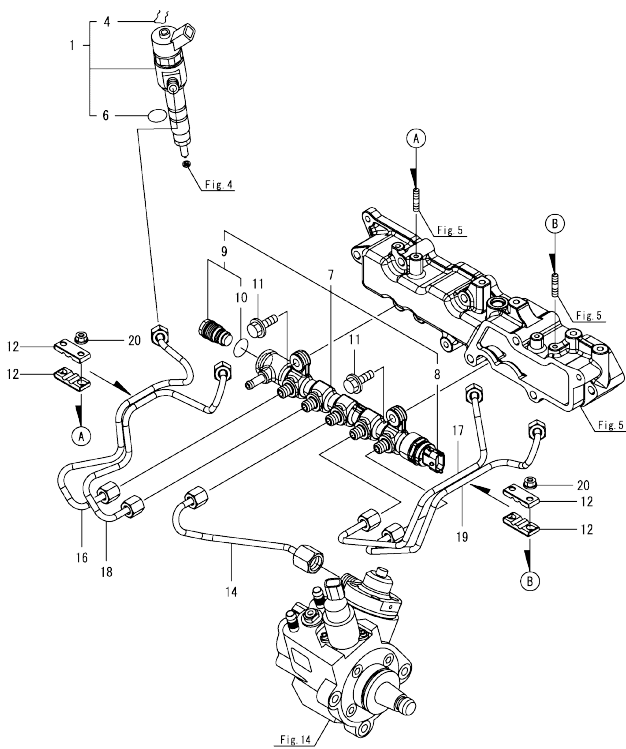
(D)=
(E)=
(F)=

No.	Lev.	Parts No.	Description	Q'ty						I	R
				(A)	(B)	(C)	(D)	(E)	(F)		
1	1	129A00-51000	PUMP ASSY, FUEL	1							1
2	2	129A00-51100	VALVE ASSY	1							1
3	3	129A00-51110	RING, SEAL	1							
4	3	129A00-51120	O-RING, MPROP	1							
5	2	129A00-51130	BOLT, MPROP	2							
6	2	129A00-51200	SENSOR, TEMPERATURE	1							1
7	2	129A00-51900	O-RING, FUEL PUMP	1							
8	1	26106-080302	BOLT, M8X 30 PLATED	3							



Remarks
(1)When replacing this part, it is necessary to update the software of the ECU using the designated service tool.
Please refer to the Service Manual for details.

Fig.15. FUEL INJECTION VALVE



(A)=4TNV86CHT-MVX
(B)=
(C)=

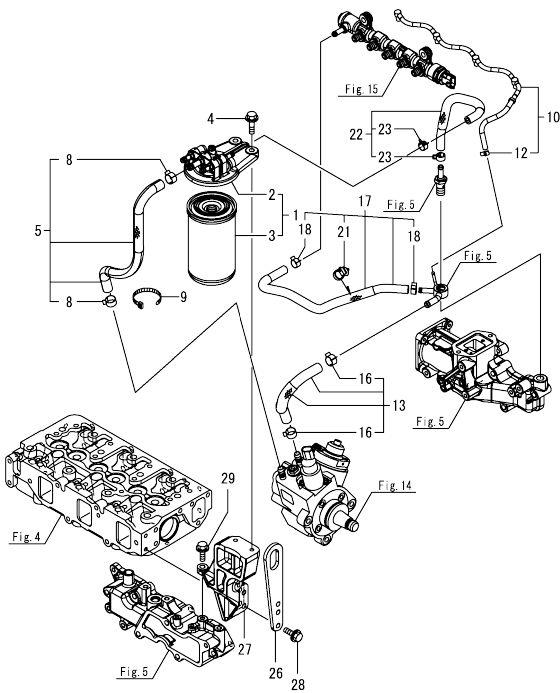
(D)=
(E)=
(F)=

No.	Lev.	Parts No.	Description	Q'ty						I	R
				(A)	(B)	(C)	(D)	(E)	(F)		
1	1	129A01-53100	INJECTOR, CR	4							1
4	2	129A00-53200	RING, RETAINING	4							
6	2	129C28-53300	O-RING	4							
7	1	129C00-57000	COMMON RAIL ASSY	1							1
8	2	129A00-57100	SENSOR, PRESSURE	1							1
9	2	129A00-57200	VALVE ASSY, PLV4	1							1
10	3	129A00-57210	O-RING, PLV4	1							
11	1	26106-080252	BOLT, M8X 25 PLATED	2							
12	1	122780-59100	RETAINER, PIPE	4							
14	1	129A00-59700	PIPE ASSY, RAIL IN	1							
16	1	129C00-59810	PIPE ASSY, INJECTION	1							
17	1	129A00-59820	PIPE ASSY, INJECTION	1							
18	1	129C00-59820	PIPE ASSY, INJECTION	1							
19	1	129A00-59830	PIPE ASSY, INJECTION	1							
20	1	26366-060002	NUT, M6	4							

Remarks

(1)When replacing this part, it is necessary to update the software of the ECU using the designated service tool. Please refer to the Service Manual for details.

Fig.16. FUEL PIPE

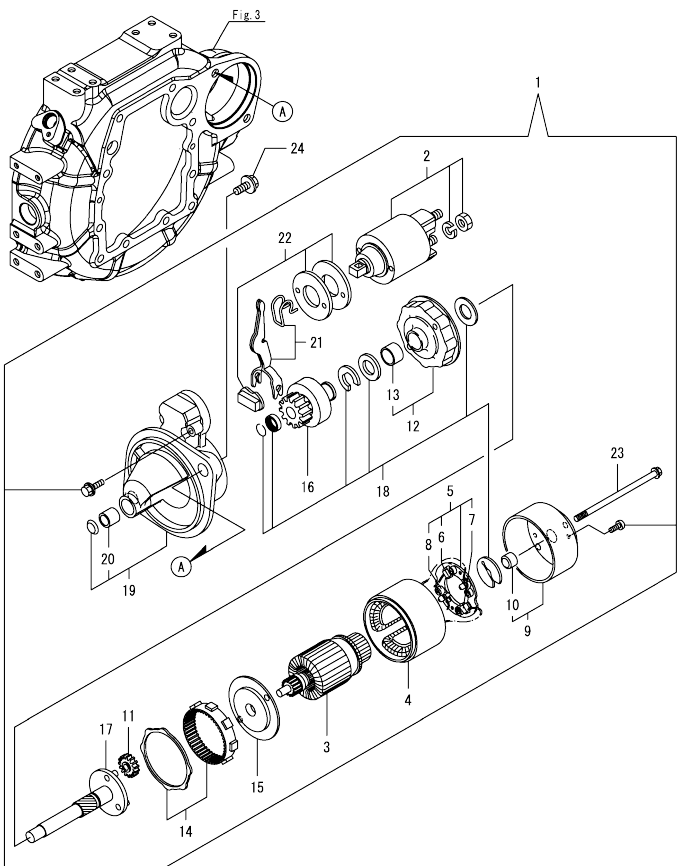


(A)=4TNV86CHT-MVX
(B)=
(C)=

(D)=
(E)=
(F)=

No.	Lev.	Parts No.	Description	Q'ty					
				(A)	(B)	(C)	(D)	(E)	(F)
1	1	129A00-55600	FILTER ASSY, FUEL	1					
2	2	129A00-55610	BRACKET ASSY, FILTER	1					
3	2	129A00-55800	FILTER, FUEL	1					
4	1	26106-080302	BOLT, M8X 30 PLATED	2					
5	1	129A00-59010	PIPE ASSY, FUEL	1					
8	2	23080-015000	CLAMP, 15	2					
9	1	121750-59890	BAND, NYLON	1					
10	1	129677-59501	PIPE ASSY, RETURN	1					
12	2	23080-007000	CLAMP, 7	1					
13	1	129A00-59020	PIPE ASSY, RETURN	1					
16	2	23080-015000	CLAMP, 15	2					
17	1	129C00-59030	PIPE ASSY, RETURN	1					
18	2	114270-59010	CLAMP, HOSE 12	2					
21	2	129A00-91200	CLIP, BAND	1					
22	1	129A00-59040	PIPE ASSY, RETURN	1					
23	2	114270-59010	CLAMP, HOSE 12	2					
26	1	129900-07900	LIFTER, ENGINE	1					
27	1	129A00-55650	BRACKET, FILTER	1					
28	1	26106-080252	BOLT, M8X 25 PLATED	2					
29	1	26106-080252	BOLT, M8X 25 PLATED	1					

Fig.17. STARTER MOTOR

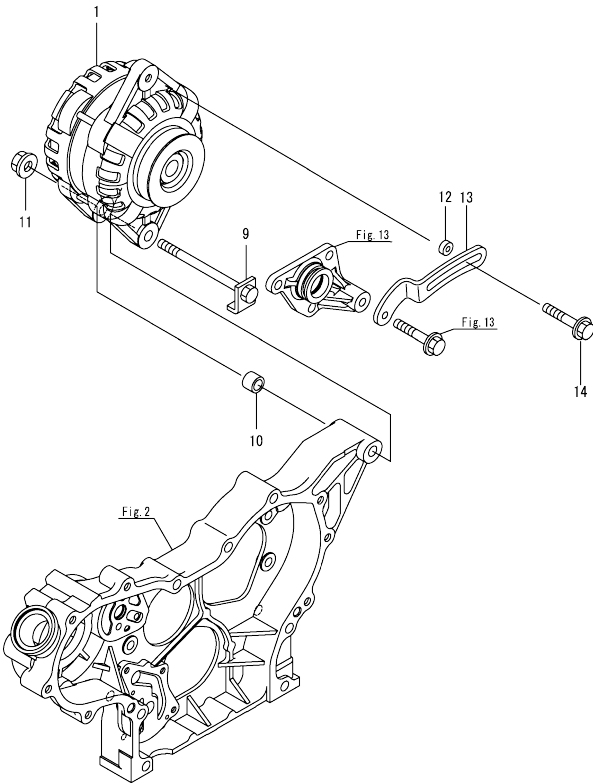


(A)=4TNV86CHT-MVX
(B)=
(C)=

(D)=
(E)=
(F)=

No.	Lev.	Parts No.	Description	Q'ty						I	R
				(A)	(B)	(C)	(D)	(E)	(F)		
1	1	129242-77010	STARTER, 1.7	1							
2	2	129698-77020	SWITCH ASSY, MAGNET	1							
3	2	129242-77100	ARMATURE ASSY	1							
4	2	129242-77110	YOKE ASSY	1							
5	2	129242-77120	HOLDER ASSY, BRUSH	1							
6	3	129242-77130	BRUSH, -	2							
7	3	129242-77140	BRUSH SET	1							
8	3	129242-77150	SPRING, BRUSH	4							
9	2	129242-77160	COVER ASSY, STARTER	1							
10	3	129242-77170	METAL, REAR COVER	1							
11	2	118400-77170	GEAR, PLANETARY	3							
12	2	129242-77180	BRACKET, CENTER P	1							
13	3	129698-77190	BRACKET, CENTER	1							
14	2	129698-77200	GEAR, INTERNAL	1							
15	2	129242-77210	BRACKET, CENTER A	1							
16	2	129698-77220	PINION ASSY	1							
17	2	129698-77230	SHAFT, PINION	1							
18	2	129698-77250	WASHER SET	1							
19	2	129242-77260	CASE ASSY, GEAR	1							
20	3	X2114535200	METAL, STARTER	1							
21	2	129242-77270	LEVER SET, SHIFT	1							
22	2	129242-77280	COVER KIT, DUST	1							
23	2	124195-77770	BOLT, THROUGH	2							
24	1	26106-120252	BOLT, M12X 25 PLATED	2							

Fig.18. GENERATOR

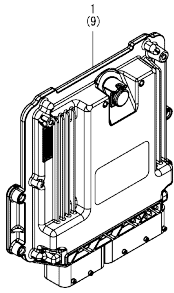


(A)=4TNV86CHT-MVX
(B)=
(C)=

(D)=
(E)=
(F)=

No.	Lev.	Parts No.	Description	Q'ty					
				(A)	(B)	(C)	(D)	(E)	(F)
1	1	129908-77200	ALTERNATOR, 12V	1					
9	1	129908-77220	BOLT, STOPPER M10	1					
10	1	129A20-77350	PIECE, DISTANCE	1					
11	1	26306-100002	NUT, M10	1					
12	1	129198-77270	SPACER, ALTERNATOR	1					
13	1	119650-77330	ADJUSTER, BELT	1					
14	1	119802-77340	BOLT, ADJUSTER L=40	1					

Fig.19. ELECTRONIC CONTROL UNIT(ECU)



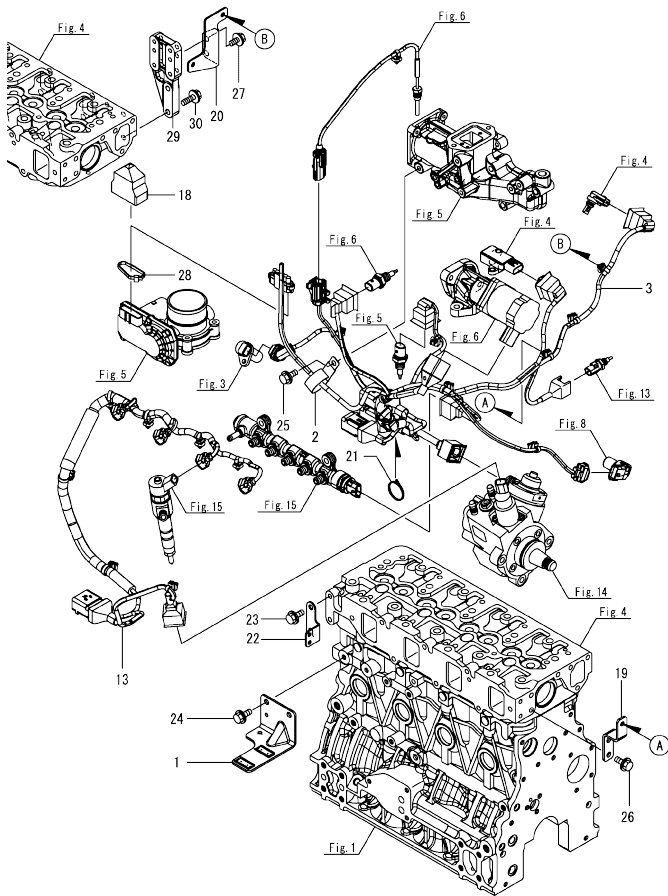
(A)=4TNV86CHT-MVX
(B)=
(C)=

(D)=
(E)=
(F)=

No.	Lev.	Parts No.	Description	Q'ty						I	R
				(A)	(B)	(C)	(D)	(E)	(F)		
1	1	129C35-75050	ECU ASSY,486CHT-MVX	1							1
9	1	129A00-75910	ECU ASSY,SERVICE YMR	1							2

Remarks
 (1)Eco ECU
 This part cannot be ordered.
 Replace the part using a Service ECU with the proper engine information installed.
 (2)Service ECU
 When replacing this part, it is necessary to update the software of the ECU using the designated service tool.
 Please refer to the Service Manual for details.

Fig.20. ELECTRIC PARTS

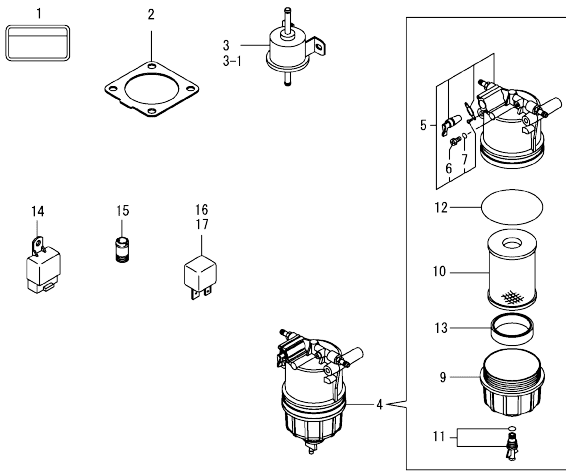


(A)=4TNV86CHT-MVX
(B)=
(C)=

(D)=
(E)=
(F)=

No.	Lev.	Parts No.	Description	Q'ty						I	R
				(A)	(B)	(C)	(D)	(E)	(F)		
1	1	129A00-77930	BRACKET, CONNECTOR	1							
2	1	129928-79700	CLAMP, 150-M8	1							
3	1	129C01-91222	HARNESS, B T4	1							
13	1	129C00-91232	HARNESS, C T4	1							
18	1	129A00-91451	BOOT, CAP TYPE	1							
19	1	129A01-91500	BRACKET, HARNESS	1							
20	1	129C01-91500	BRACKET, HARNESS	1							
21	1	29621-100000	BAND, TR100	1							
22	1	129A00-91600	BRACKET, HARNESS	1							
23	1	26106-080122	BOLT, M8X 12 PLATED	2							
24	1	26106-080122	BOLT, M8X 12 PLATED	2							
25	1	26106-080122	BOLT, M8X 12 PLATED	1							
26	1	26106-080122	BOLT, M8X 12 PLATED	2							
27	1	26106-080142	BOLT, M8X 14 PLATED	2							
28	1	29621-200000	BAND	1							
29	1	129C01-07910	SPACER, LIFTER	1							
30	1	26106-080252	BOLT, M8X 25 PLATED	2							

Fig.21. ACCESSORY



No.	Lev.	Parts No.	Description	Q'ty						I	R
				(A)	(B)	(C)	(D)	(E)	(F)		
1	1	114110-07761	LABEL, FUEL CAUTION	1							
2	1	129930-13201	GASKET, SILENCER	1							Z
(A=E21224)											
3	1	129612-52100	PUMP, FUEL FEED	1							
3-1	1	119225-52102	PUMP, FUEL FEED	1							S
(A=E21224)											
4	1	129C35-55700	FILTER ASSY,FUEL PRE	1							
5	2	129A00-55710	BODY ASSY	1							
6	3	129A00-55751	PLUG, AIR VENT	1							
7	3	129A00-55760	O-RING	1							
9	2	129A00-55720	CUP, CLEAR	1							
10	2	129A00-55730	ELEMENT, FUEL FILTER	1							
11	2	129242-55740	PLUG, DRAIN	1							
12	2	129A00-55740	O-RING	1							
13	2	129A00-55770	FLOAT	1							
14	1	172B02-17150	RELAY, CA TYPE C	1							Z
(A=E21224)											
15	1	121575-49300	JOINT, PIPE PT3/8	1							Z
16	1	129927-77920	RELAY, ISO 70A	1							Z
(A=E21224)											
17	1	129927-77930	RELAY, ISO 40A	1							Z
(A=E21224)											

Parts No. Index

Parts No.	Fig. No.	Ref. No.	Parts No.	Fig. No.	Ref. No.	Parts No.	Fig. No.	Ref. No.	Parts No.	Fig. No.	Ref. No.
114110-07761	21	1	124395-49840	13	20	129242-77100	17	3	129795-11180	4	25
114250-39450	12	1 -1	124460-11340	4	26	129242-77110	17	4	129795-21661	10	9
114270-59010	16	18	124465-44950	13	35	129242-77120	17	5	129795-49551	13	31
		23	129001-01250	1	4	129242-77130	17	6	129900-07900	16	26
118400-77170	17	11	129001-02931	1	29	129242-77140	17	7	129908-33010	11	23
119131-18320	6	24	129004-03010	4	40	129242-77150	17	8	129908-77200	18	1
	9	3	129004-11650	4	7	129242-77160	17	9	129908-77220	18	9
119225-52102	21	3 -1	129004-42040	13	18	129242-77170	17	10	129916-49740	13	11
119260-34810	11	16	129005-11100	4	22	129242-77180	17	12	129927-13810	6	28
119609-32040	2	5	129005-34802	11	15 -1	129242-77210	17	15	129927-44900	13	34
119620-01750	3	3	129006-44480	11	32	129242-77260	17	19	129927-77920	21	16
119624-32040	2	6	129008-77800	4	76	129242-77270	17	21	129927-77930	21	17
119640-01640	3	7	129009-11340	4	49	129242-77280	17	22	129928-49420	13	10
119640-61400	4	55	129044-39610	12	9	129350-49530	13	30			37
119650-77330	18	13	129100-01580	2	2	129400-01730	3	10	129928-79700	20	2
119761-39450	12	1		3	1	129410-03990	4	67	129930-13201	7	1
119802-11260	4	4			15	129417-33111	11	26		21	2
119802-11270	4	5		10	2	129418-18320	6	7	129953-44710	13	51
119802-25071	8	28	129100-01640	3	16			19	129960-03990	13	40
119802-77340	18	14	129100-11130	4	24	129466-49300	12	11			43
119803-21200	10	4	129100-23910	10	31	129486-01670	3	19			46
119803-77830	4	75	129100-42051	13	2	129486-32020	11	13	129978-11871	4	30
119865-21600	10	14	129100-42121	13	3	129486-42021	13	17	129978-12700	4	50
119934-01800	2	11	129103-49301	13	13	129486-42140	13	19	129978-17500	7	28
120130-11860	4	78	129120-42351	13	26	129508-18080	9	2	129978-17700	7	33
120270-54410	4	32	129150-01200	1	27	129508-18090	6	23	129A00-01550	2	9
121111-21501	10	11	129150-02020	1	6	129509-21000	10	1	129A00-01602	3	2
121252-39150	12	3	129150-02450	8	4	129553-39650	12	21	129A00-11330	4	48
121450-42450	13	33	129150-02871	1	32	129558-21660	10	8	129A00-11340	4	27
121520-34810	11	16 -1	129150-02931	1	24	129601-11241	4	1	129A00-11900	4	31
121550-23200	10	28	129150-02941	1	35	129601-11251	4	2	129A00-12711	4	69
121575-49300	21	15	129150-03070	4	41	129601-44770	13	52	129A00-12721	5	5
121750-59890	16	9	129150-11230	4	8	129602-34801	11	15	129A00-12780	4	51
121850-21680	10	10	129150-11280	4	6	129608-49090	11	40	129A00-12790	4	70
122780-59100	15	12	129150-11370	4	12	129612-42370	13	27	129A00-12810	5	7
123907-03100	4	42	129150-11750	4	10	129612-52100	21	3	129A00-12820	5	22
123907-03110	4	43	129150-11810	4	79	129648-35100	11	27	129A00-12900	5	23
123907-03120	4	44	129150-14200	8	1	129648-35150	11	29	129A00-12910	5	24
123907-03140	4	45	129150-14400	8	2	129677-59501	16	10	129A00-13300	6	8
123912-33050	11	24	129150-23601	10	29	129698-77020	17	2	129A00-13350	6	10
124060-01050	1	11	129150-23611	10	32	129698-77190	17	13		7	23
124160-01751	2	3	129150-35042	11	20	129698-77200	17	14	129A00-13360	4	52
	4	37	129150-35111	11	30	129698-77220	17	16	129A00-13380	4	54
124160-01910	1	12	129150-35153	11	44	129698-77230	17	17	129A00-13400	6	13
		13	129150-49811	13	29	129698-77250	17	18	129A00-13410	6	14
124160-11360	4	38	129155-49801	13	28	129792-39410	12	15	129A00-13710	5	16
124160-39140	12	2	129198-77270	18	12	129795-01780	3	18	129A00-13720	5	17
124195-77770	17	23	129202-22300	10	22	129795-01950	2	4	129A00-13752	6	26
124223-39900	12	5	129242-55740	21	11	129795-02412	1	9	129A00-13851	6	17
124240-01871	2	12	129242-77010	17	1	129795-11120	4	23	129A00-13861	6	18

Parts No. Index

Parts No.	Fig. No.	Ref. No.	Parts No.	Fig. No.	Ref. No.	Parts No.	Fig. No.	Ref. No.	Parts No.	Fig. No.	Ref. No.
129A00-13910	6	32	129A00-59820	15	17	129C01-11700	4	13	22190-220002	3	9
129A00-13920	6	33	129A00-59830	15	19	129C01-12060	4	68	22217-180000	8	19
129A00-14100	8	6	129A00-75910	19	9	129C01-12100	5	3	22252-000260	10	23
129A00-14700	8	8	129A00-77930	20	1	129C01-12150	5	2	22351-030010	10	7
129A00-14710	8	11	129A00-91200	6	6	129C01-13110	6	2		12	22
129A00-16610	7	12		7	36	129C01-13350	6	21	22351-060012	4	33
129A00-17311	7	25		16	21	129C01-13700	5	10	22512-070140	8	7
129A00-17520	7	29	129A00-91430	7	38	129C01-13770	6	5		10	5
129A00-17560	7	31	129A00-91451	20	18	129C01-16400	7	8	22857-500100	4	56
129A00-17570	7	32	129A00-91600	20	22	129C01-16680	7	13			57
129A00-17760	7	34	129A01-12800	5	9	129C01-16700	7	14			58
129A00-21710	3	21	129A01-12851	5	8	129C01-16710	7	15	22857-500160	5	14
129A00-25050	8	13	129A01-13601	6	3	129C01-16730	7	16	23000-022000	12	12
129A00-25060	8	21	129A01-22080	10	16	129C01-16740	7	17	23000-060000	4	71
129A00-25080	8	29	129A01-22500	10	18	129C01-16800	7	18	23080-007000	16	12
129A00-25110	8	14	129A01-22900	10	34	129C01-18011	9	1	23080-015000	16	8
129A00-25120	8	22	129A01-22950	10	36	129C01-33100	11	25			16
129A00-25200	8	25	129A01-32000	11	1	129C01-39450	12	4	23297-080061	6	9
129A00-25210	8	26	129A01-49030	11	33	129C01-39610	12	10	23414-080000	13	21
129A00-25900	8	18	129A01-49040	11	37	129C01-91222	20	3	23414-100000	12	7
129A00-34870	11	18	129A01-53100	15	1	129C01-91500	20	20	23414-120000	6	11
129A00-49610	13	38	129A01-91500	20	19	129C20-07900	4	73		13	12
129A00-51000	14	1	129A20-77350	18	10	129C20-17770	7	41	23876-010000	13	14
129A00-51100	14	2	129A23-01500	2	1	129C20-49350	13	9	23887-120002	13	15
129A00-51110	14	3	129C00-11310	4	47	129C23-49700	13	49	24311-000120	4	60
129A00-51120	14	4	129C00-12110	5	1	129C28-53300	15	6	24311-000320	2	7
129A00-51130	14	5	129C00-13110	6	1	129C35-16040	7	5		4	61
129A00-51200	14	6	129C00-13800	6	27	129C35-16200	7	6	24316-000160	12	13
129A00-51900	14	7	129C00-13860	7	3 -1	129C35-17760	7	41 -1	24316-240100	11	17
129A00-53200	15	4	129C00-13870	7	4 -1	129C35-42010	13	1	24321-000600	11	41
129A00-55600	16	1	129C00-13901	6	31	129C35-55700	21	4	26106-060102	8	9
129A00-55610	16	2	129C00-13940	7	3	129C35-75050	19	1	26106-060122	6	12
129A00-55650	16	27	129C00-13950	7	4	129C61-35000	11	21		12	14
129A00-55710	21	5	129C00-14580	8	3	129E00-13620	6	16	26106-060162	4	72
129A00-55720	21	9	129C00-21580	10	12	129E00-16500	7	10	26106-060202	5	25
129A00-55730	21	10	129C00-49610	13	42	129E00-16600	7	11	26106-060402	5	26
129A00-55740	21	12	129C00-49620	13	45	129E00-17300	7	24	26106-060552	13	54
129A00-55751	21	6	129C00-57000	15	7	129E00-17350	7	26	26106-060902	5	27
129A00-55760	21	7	129C00-59030	16	17	129F01-13600	6	15	26106-080122	12	8
129A00-55770	21	13	129C00-59810	15	16	129F01-13630	6	4		13	22
129A00-55800	16	3	129C00-59820	15	18	129F01-13650	6	22		20	23
129A00-57100	15	8	129C00-77820	4	77	171008-03990	11	34			24
129A00-57200	15	9	129C00-91200	7	37			38			25
129A00-57210	15	10	129C00-91232	20	13	171051-01921	1	5			26
129A00-59010	16	5	129C01-01331	1	28	171056-49120	11	43	26106-080142	7	19
129A00-59020	16	13	129C01-01560	1	1	172B02-17150	21	14		8	10
129A00-59040	16	22	129C01-03060	4	62	22190-080002	2	13		20	27
129A00-59110	5	11	129C01-03130	4	63	22190-100002	12	6	26106-080162	2	8
129A00-59120	5	12	129C01-07910	20	29	22190-120002	13	36			14
129A00-59700	15	14	129C01-11360	4	39	22190-140002	5	13		3	11

Parts No. Index

Parts No.	Fig. No.	Ref. No.
26106-080162	4	74
	7	42
	11	19
	13	23
26106-080202	50	53
	7	35
		42
		-1
	11	42
26106-080222	13	32
26106-080252	3	12
	4	34
	6	29
	15	11
	16	28
26106-080302	29	29
	20	30
	14	8
26106-080352	16	4
	2	15
	3	20
26106-080402	4	35
	2	16
	8	27
26106-080452	3	13
	8	17
	13	24
26106-080502	3	14
	4	36
	5	6
		18
	6	20
26106-080552	11	22
26106-080602	2	17
	13	25
	5	19
26106-080752	2	18
26106-080852	7	39
26106-100202	7	20
26106-100222	17	24
26106-120252	3	4
26206-100252	3	5
26206-100302	5	4
26216-060202	5	15
26216-080352	5	20
26216-081052	4	11
26226-080182	5	21
26306-080002	6	25
		30
		34

Parts No.	Fig. No.	Ref. No.
26306-080002	7	21
		40
	9	4
26306-100002	18	11
26366-060002	15	20
26450-060162	3	22
	4	59
	8	12
26450-060252	11	14
26577-060142	13	16
26776-180002	8	20
27241-120000	1	14
27241-300000	1	10
27241-400000	4	21
27310-080001	4	28
29621-100000	20	21
29621-200000	20	28
729400-01720	3	6
729402-23100	10	24
X2114535200	17	20

Parts No.	Fig. No.	Ref. No.
-----------	----------	----------

Parts No.	Fig. No.	Ref. No.
-----------	----------	----------