

0CD50-M06670EN

P R E F A C E

This parts catalog is the 1st edition of 4TNV86CHT-MYIA and 4TNV86CHT-MYIAD.

Published : February, 2021

Contents

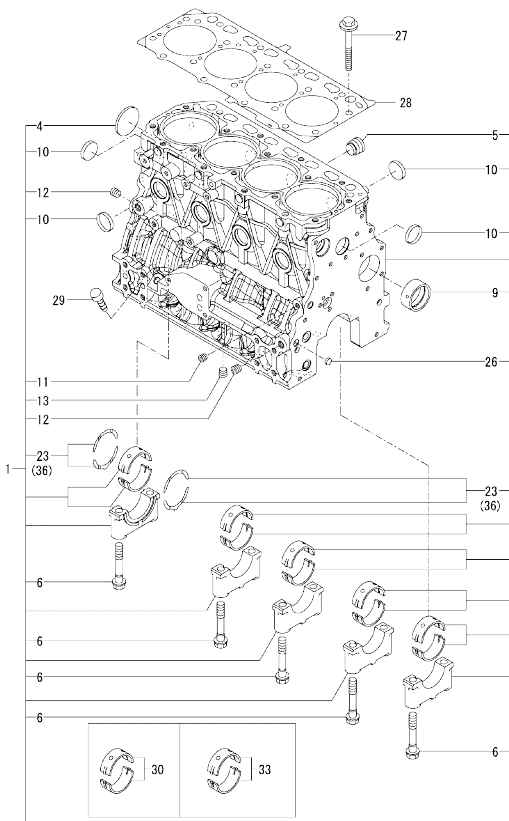
0CD50-M06670

Fig. No.	Fig. Name	Fig. No.	Fig. Name
ENGINE			
1.	CYLINDER BLOCK		
2.	GEAR HOUSING		
3.	FLYWHEEL HOUSING & OIL SUMP		
4.	CYLINDER HEAD & BONNET		
5.	SUCTION MANIFOLD & AIR CLEANER		
6.	EXHAUST MANIFOLD		
7.	DIESEL PARTICULATE FILTER(DPF)		
8.	DIESEL PARTICULATE FILTER(DPF)		
9.	CAMSHAFT & DRIVING GEAR		
10.	TURBINE		
11.	CRANKSHAFT & PISTON		
12.	LUB. OIL SYSTEM		
13.	LUB. OIL PIPE		
14.	COOLING WATER SYSTEM		
15.	RADIATOR		
16.	FUEL SUPPLY PUMP		
17.	FUEL INJECTION VALVE		
18.	FUEL PIPE		
19.	STARTER MOTOR		
20.	GENERATOR		
21.	GENERATOR		
22.	ELECTRONIC CONTROL UNIT(ECU)		
23.	ELECTRIC PARTS		
24.	ACCESSORY		

Fig.1. CYLINDER BLOCK

(A)=4TNV86CHT-MYIA
 (B)=4TNV86CHT-MYIAD
 (C)=

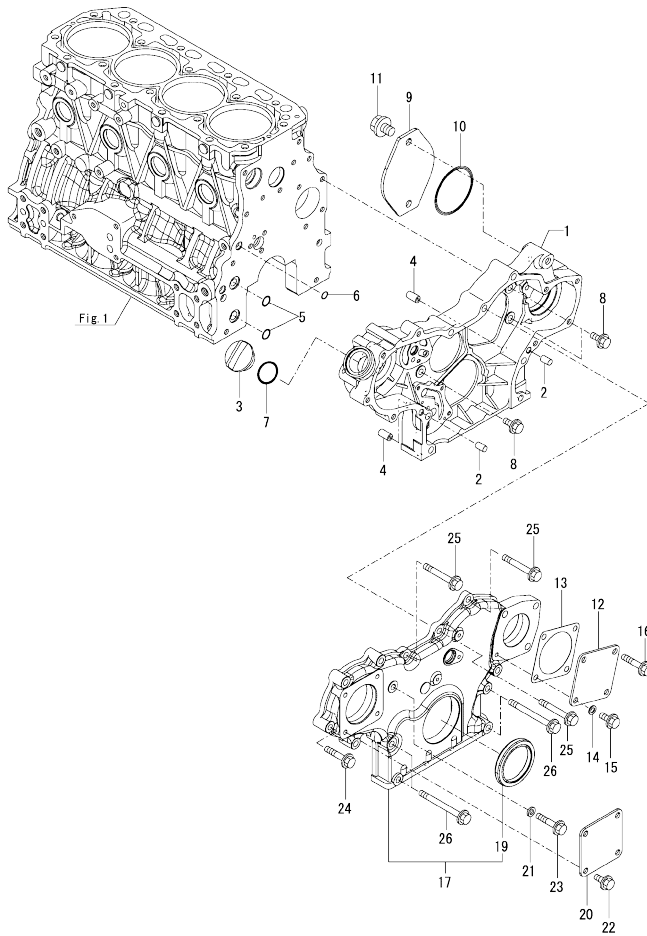
(D)=
 (E)=
 (F)=



No.	Lev.	Parts No.	Description	Q'ty						I	R
				(A)	(B)	(C)	(D)	(E)	(F)		
1	1	129C00-01560	BLOCK ASSY, CYLINDER	1							
4	2	129001-01250	PLUG, 50	1							
5	2	171051-01921	PLUG, NPTF1	1							
6	2	129150-02020	BOLT, METAL CAP	10							
9	2	129795-02412	BUSH, CAMSHAFT	1							
10	2	27241-300000	PLUG(30)	8							
11	2	124060-01050	PLUG, PT1/8	1							
12	2	124160-01910	PLUG, PT1/4	2							
13	2	124160-01910	PLUG, PT1/4	1							
23	2	129150-02931	METAL ASSY, THRUST	2							
26	2	27241-120000	PLUG, 12	1							
27	1	129150-01200	BOLT, CYLINDER HEAD	18							
28	1	129C01-01331	GASKET ASSY, HEAD	1							
29	1	124976-34850	PLUG	1							
30	1	129001-02931	METAL ASSY, MAIN	5							1
33	1	129150-02871	METAL ASSY, MAIN 25	5							2
36	1	129150-02941	METAL ASSY, 0.25 OS	1							3

Remarks
 (1)Spare parts.
 (2)Under-sized(U.S.=0.25) parts.
 (3)Over-sized(O.S.=0.25) parts.

Fig.2. GEAR HOUSING



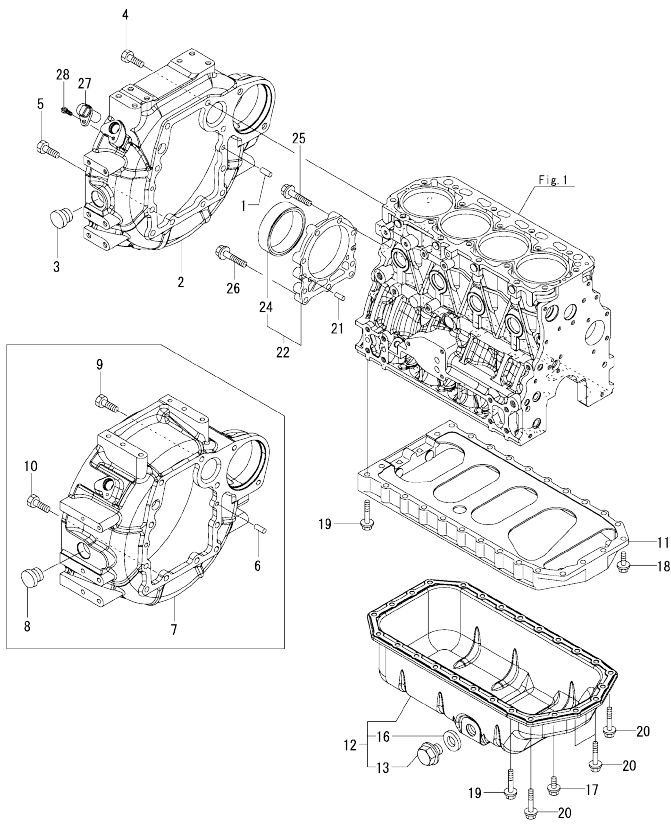
(A)=4TNV86CHT-MYIA
(B)=4TNV86CHT-MYIAD
(C)=

(D)=
(E)=
(F)=

No.	Lev.	Parts No.	Description	Q'ty						I	R
				(A)	(B)	(C)	(D)	(E)	(F)		
1	1	129A88-01500	CASE, GEAR	1							
2	1	129100-01580	PIN, PARALLEL 8X16	2							
3	1	124160-01751	CAP, FILLER	1							
4	1	129795-01950	PIPE, KNOCK L=18	2							
5	1	119609-32040	O-RING, P16	2							
6	1	119624-32040	O-RING, P12.0	1							
7	1	24311-000320	O-RING, 1AP32.0	1							
8	1	26106-080162	BOLT, M8X 16 PLATED	3							
9	1	121023-26071	COVER, PUMP	1							
10	1	24321-000850	O-RING, 1AG85.0	1							
11	1	26106-100202	BOLT, M10X 20 PLATED	2							
12	1	124240-01871	COVER, HYDRAULIC PUMP	1							
13	1	129C26-01890	GASKET, PUMP	1							
14	1	22190-080002	WASHER, SEAL 8	1							
15	1	26106-080142	BOLT, M8X 14 PLATED	1							
16	1	26106-080352	BOLT, M8X 35 PLATED	3							
17	1	129C00-01550	COVER ASSY, CASE	1							
19	2	119934-01800	SEAL, OIL	1							
20	1	124240-01871	COVER, HYDRAULIC PUMP	1							
21	1	22190-080002	WASHER, SEAL 8	1							
22	1	26106-080162	BOLT, M8X 16 PLATED	4							
23	1	26106-080352	BOLT, M8X 35 PLATED	1							
24	1	26106-080402	BOLT, M8X 40 PLATED	5							
25	1	26106-080602	BOLT, M8X 60 PLATED	3							
26	1	26106-080852	BOLT, M8X 85 PLATED	4							

N:Old $\frac{100}{100}$ New, Q:Old $\frac{100}{100}$ New, R:Old $\frac{100}{100}$ New, S:Old $\frac{100}{100}$ New, W:Add, Z:Discontinued, F:Interchangeable by set, K:Q'ty Change
Copyright (C) 2021 YANMAR GLOBAL CS CO., LTD. All Rights Reserved.

Fig.3. FLYWHEEL HOUSING & OIL SUMP

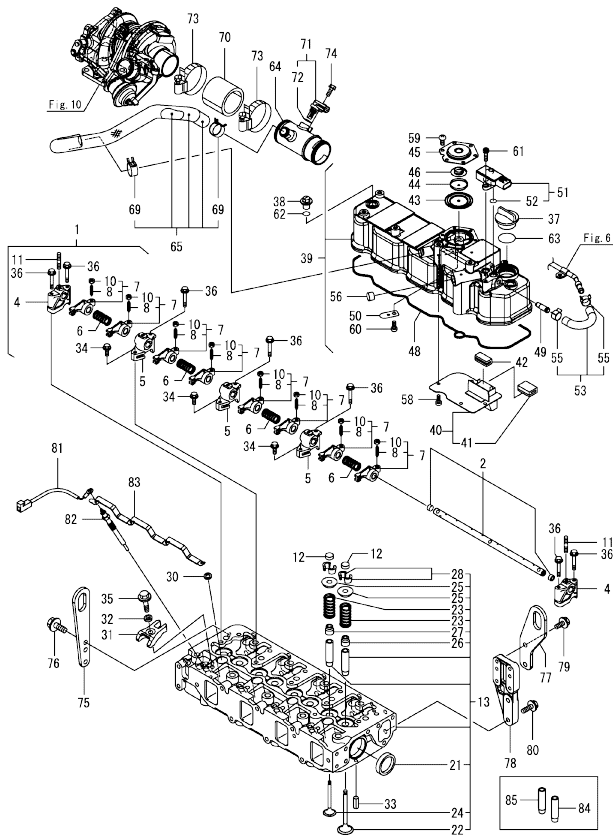


(A)=4TNV86CHT-MYIA
(B)=4TNV86CHT-MYIAD
(C)=

(D)=
(E)=
(F)=

No.	Lev.	Parts No.	Description	Q'ty						I	R
				(A)	(B)	(C)	(D)	(E)	(F)		
1	1	129100-01580	PIN, PARALLEL 8X16	2							
2	1	129A00-01602	HOUSING, FLYWHEEL	1							
3	1	119620-01750	CAP, WHEEL COVER	1							
4	1	26206-100252	BOLT, M10X 25 PLATED	6							
5	1	26206-100302	BOLT, M10X 30 PLATED	4							
6	1	129100-01580	PIN, PARALLEL 8X16		2						
7	1	129A00-01620	HOUSING, FLYWHEEL	1							
8	1	119620-01750	CAP, WHEEL COVER	1							
9	1	26206-100252	BOLT, M10X 25 PLATED	6							
10	1	26206-100302	BOLT, M10X 30 PLATED	4							
11	1	129400-01730	SPACER, OIL PAN	1							
12	1	129688-01780	OIL PAN ASSY	1							
13	2	119640-01640	PLUG, DRAIN M22	1							
16	2	22190-220002	WASHER, SEAL 22	1							
17	1	26106-080162	BOLT, M8X 16 PLATED	4							
18	1	26106-080252	BOLT, M8X 25 PLATED	2							
19	1	26106-080452	BOLT, M8X 45 PLATED	20							
20	1	26106-080502	BOLT, M8X 50 PLATED	4							
21	1	129100-01580	PIN, PARALLEL 8X16	2							
22	1	129648-01600	CASE ASSY, OIL SEAL	1							
24	2	129648-01780	SEAL, OIL	1							
25	1	129486-01670	BOLT, M8X30	6							
26	1	26106-080352	BOLT, M8X 35 PLATED	3							
27	1	129A00-21710	SENSOR, FLYWHEEL	1							1
28	1	26450-060162	BOLT, M6X 16	1							

Fig.4. CYLINDER HEAD & BONNET



(A)=4TNV86CHT-MYIA
(B)=4TNV86CHT-MYIAD
(C)=

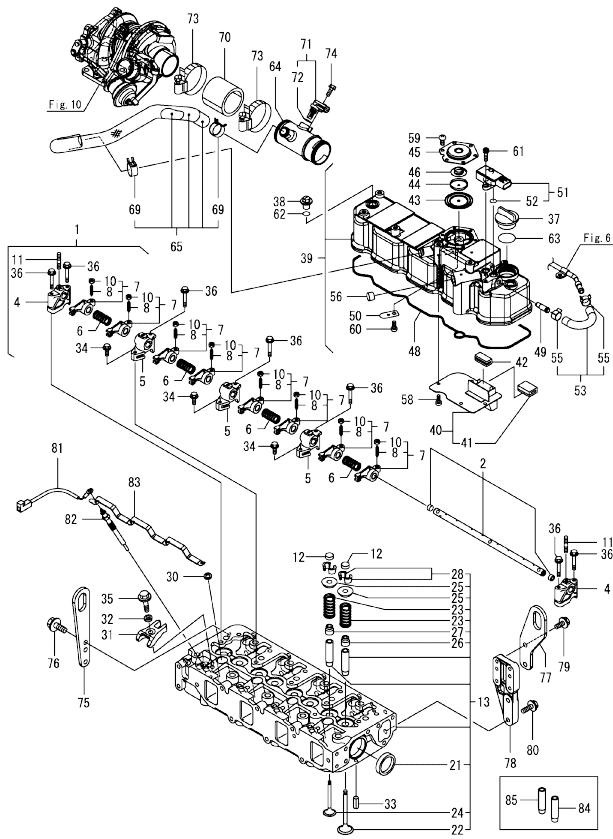
(D)=
(E)=
(F)=

No.	Lev.	Parts No.	Description	Q'ty						I	R
				(A)	(B)	(C)	(D)	(E)	(F)		
1	1	129601-11241	SHAFT ASSY, ROCKER	1							
2	2	129601-11251	SHAFT, ROCKER ARM	1							
4	2	119802-11260	SUPPORT, ROCKER ARM	2							
5	2	119802-11270	SUPPORT, ROCKER ARM	3							
6	2	129150-11280	SPRING, SHAFT	4							
7	2	129004-11650	ARM ASSY, ROCKER	8							
8	3	129150-11230	SCREW, VALVE ADJUST	8							
10	3	129150-11750	NUT, M8XP1.0	8							
11	2	26226-080182	STUD, M8X 18	3							
12	1	129150-11370	CAP, VALVE	8							
13	1	129C01-11700	HEAD ASSY, CYLINDER	1							
21	2	27241-400000	PLUG, 40	2							
22	2	129005-11100	VALVE, INTAKE	4							
23	2	129795-11120	SPRING, VALVE	8							
24	2	129100-11130	VALVE, EXHAUST	4							
25	2	129795-11180	RETAINER, SPRING	8							
26	2	124460-11340	SEAL, VALVE STEM	4							
27	2	129A00-11340	SEAL, VALVE STEM	4							
28	2	27310-080001	COTTER, 8	8							
30	1	129978-11871	GASKET, INJECTOR	4							
31	1	129A00-11900	RETAINER, INJECTOR	4							
32	1	120270-54410	WASHER, INJECTOR	4							
33	1	22351-060012	PIN, SPRING 6.0X12	2							
34	1	26106-080252	BOLT, M8X 25 PLATED	3							
35	1	26106-080352	BOLT, M8X 35 PLATED	4							
36	1	26106-080502	BOLT, M8X 50 PLATED	7							
37	1	124160-01751	CAP, FILLER	1							
38	1	124160-11360	KNOB, BONNET	3							
39	1	129C01-11360	BONNET ASSY, HEAD	1							
40	2	129004-03010	PLATE, BAFFLE	1							
41	3	119802-03070	BAFFLE, BREATHER	1							
42	2	129150-03070	BAFFLE, BREATHER	1							
43	2	123907-03100	DIAPHRAGM, BREATHER	1							
44	2	123907-03110	PLATE, CENTER	1							
45	2	123907-03120	PLATE, BREATHER	1							
46	2	123907-03140	SPRING, DIAPHRAGM	1							
48	2	129C00-11310	GASKET, BONNET	1							
49	2	129A00-11330	JOINT	1							
50	2	129009-11340	SPRING, PLATE	1							
51	2	129978-12700	SENSOR, PRESSURE	1							1
52	3	129A00-12780	O-RING, EGR SENSOR	2							
53	2	129A00-13360	HOSE ASSY, PRESSURE	1							
55	3	129A00-13380	CLIP, HOSE 14	2							
56	2	119640-61400	PLUG	1							
58	2	22857-500100	SCREW, 5X10	4							
59	2	22857-500100	SCREW, 5X10	6							
60	2	22857-500100	SCREW, 5X10	1							
61	2	26450-060162	BOLT, M6X 16	2							
62	1	24311-000120	O-RING, 1AP12.0	3							
63	1	24311-000320	O-RING, 1AP32.0	1							
64	1	129C01-03060	JOINT, BREATHER	1							

Remarks

- (1)When replacing this part, it is necessary to update the software of the ECU using the designated service tool. Please refer to the Service Manual for details.
- (2)Spare parts.

Fig.4. CYLINDER HEAD & BONNET



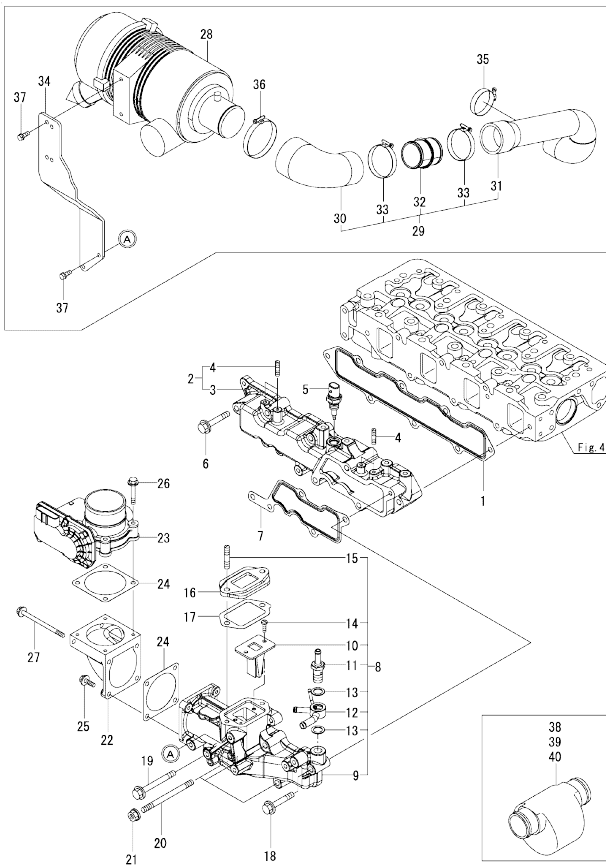
(A)=4TNV86CHT-MYIA
 (B)=4TNV86CHT-MYIAD
 (C)=

(D)=
 (E)=
 (F)=

No.	Lev.	Parts No.	Description	Qty						I	R
				(A)	(B)	(C)	(D)	(E)	(F)		
65	1	129C01-03130	HOSE ASSY BREATHER	1							
69	2	129410-03990	CLAMP, HOSE 21.5	2							
70	1	129E30-12060	HOSE, AIR INTAKE	1							
71	1	129A00-12711	SENSOR, TEMPERATURE	1							1
72	2	129A00-12790	O-RING, TEMP SENSOR	1							
73	1	23000-060000	CLAMP, 60	2							
74	1	26106-060162	BOLT, M6X 16 PLATED	1							
75	1	129900-07900	LIFTER, ENGINE	1							
76	1	26106-080162	BOLT, M8X 16 PLATED	2							
77	1	129C32-07920	LIFTER, ENGINE	1							
78	1	129C01-07910	SPACER, LIFTER	1							
79	1	26106-080162	BOLT, M8X 16 PLATED	2							
80	1	26106-080252	BOLT, M8X 25 PLATED	2							
81	1	119803-77830	HARNES, WIRE	1							
82	1	129008-77800	PLUG, GLOW	4							
83	1	129C00-77820	CONNECTOR, GLOW PLUG	1							
84	1	120130-11860	GUIDE, VALVE	4							2
85	1	129150-11810	GUIDE, VALVE	4							2

Remarks
 (1)When replacing this part, it is necessary to update the software of the ECU using the designated service tool.
 Please refer to the Service Manual for details.
 (2)Spare parts.

Fig.5. SUCTION MANIFOLD & AIR CLEANER



(A)=4TNV86CHT-MYIA
(B)=4TNV86CHT-MYIAD
(C)=

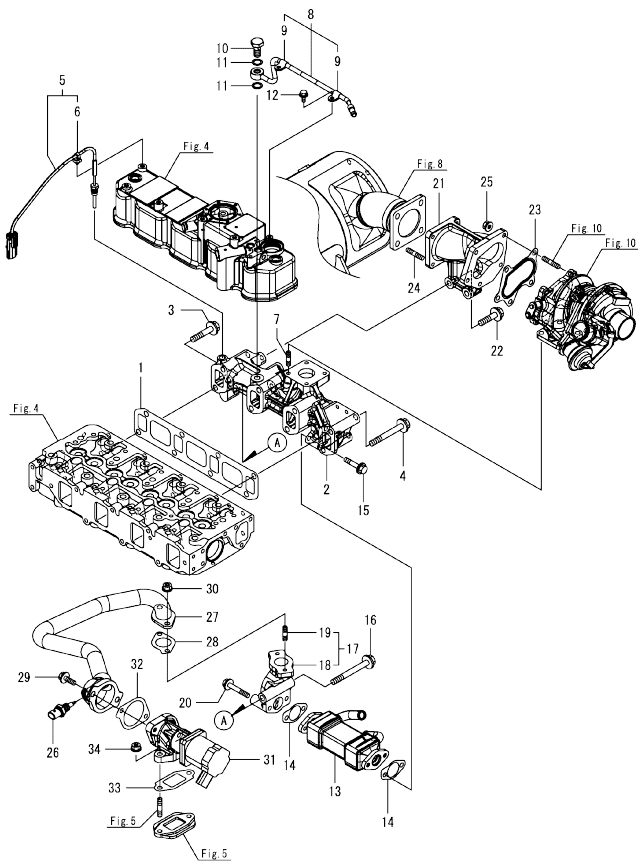
(D)=
(E)=
(F)=

No.	Lev.	Parts No.	Description	Qty						I	R
				(A)	(B)	(C)	(D)	(E)	(F)		
1	1	129C00-12110	GASKET, MANIFOLD	1							
2	1	129C01-12150	MANIFOLD ASSY,INTAKE	1							
3	2	129C01-12100	MANIFOLD, INTAKE	1							
4	2	26216-060202	STUD, M6X 20	4							
5	1	129A00-12721	SENSOR,AIR TEMP	1							1
6	1	26106-080502	BOLT, M8X 50 PLATED	5							
7	1	129A00-12810	GASKET, COLLECTOR	1							
8	1	129A01-12851	COLLECTOR ASSY	1							
9	2	129A01-12800	COLLECTOR, INTAKE	1							
10	2	129C01-13700	VALVE, REED	1							
11	2	129A00-59110	JOINT, HOSE M14	1							
12	2	129A00-59120	JOINT, HOSE 14	1							
13	2	22190-140002	WASHER, SEAL 14	2							
14	2	22857-500160	SCREW, 5X16	2							
15	2	26216-080352	STUD, M8X 35	2							
16	1	129A00-13710	SPACER, EGR VALVE	1							
17	1	129A00-13720	GASKET, EGR-V SPACER	1							
18	1	26106-080502	BOLT, M8X 50 PLATED	1							
19	1	26106-080752	BOLT, M8X 75 PLATED	1							
20	1	26216-081052	STUD, M8X105	3							
21	1	26306-080002	NUT, M8	3							
22	1	129A00-12820	BEND, INTAKE	1							
23	1	129A00-12900	THROTTLE, INTAKE	1							1
24	1	129A00-12910	GASKET, THROTTLE	2							
25	1	26106-060202	BOLT, M6X 20 PLATED	2							
26	1	26106-060402	BOLT, M6X 40 PLATED	4							
27	1	26106-060902	BOLT, M6X 90 PLATED	2							
28	1	129E45-12500	AIR CLEANER ASSY							1	
29	1	129C84-12580	HOSE ASSY, INTAKE 7							1	
30	2	129C84-12560	HOSE, AIR INTAKE 7							1	
31	2	129C84-12570	HOSE, AIR INTAKE 7							1	
32	2	129E45-12580	PIPE, AIR INTAKE							1	
33	2	23000-075000	CLAMP, 75							2	
34	1	129C84-12650	BRACKET, AIR CLEANER							1	
35	1	23000-060000	CLAMP, 60							1	
36	1	23000-090000	CLAMP, 90							1	
37	1	26013-080222	BOLT, M8X 22							4	
38	1	121855-12060	SILENCER, INTAKE							1	
39	1	119005-12060	SILENCER, INTAKE							1	
40	1	119160-12060	SILENCER ASSY,INTAKE							1	

Remarks

(1)When replacing this part, it is necessary to update the software of the ECU using the designated service tool. Please refer to the Service Manual for details.

Fig.6. EXHAUST MANIFOLD



(A)=4TNV86CHT-MYIA
(B)=4TNV86CHT-MYIAD
(C)=

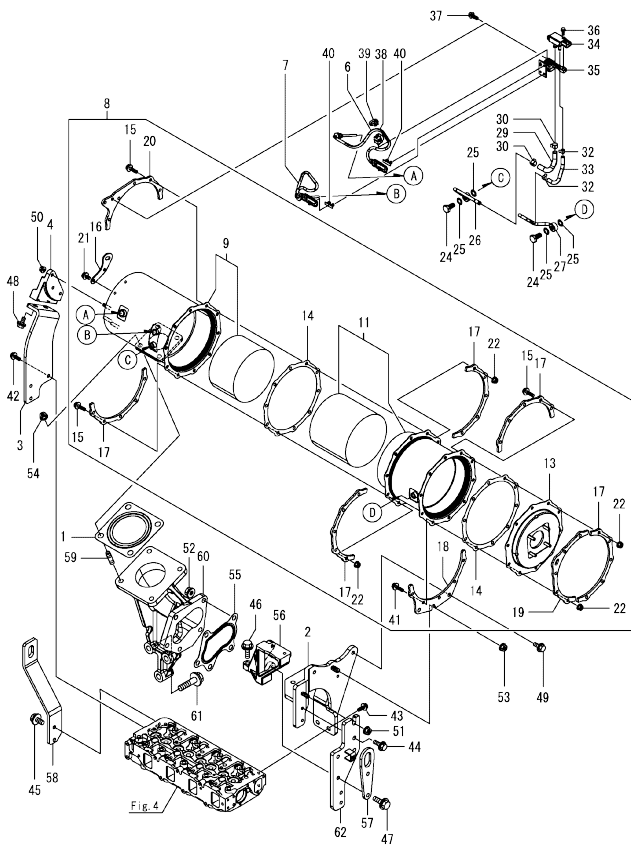
(D)=
(E)=
(F)=

No.	Lev.	Parts No.	Description	Qty						I	R
				(A)	(B)	(C)	(D)	(E)	(F)		
1	1	129C00-13110	GASKET, MANIFOLD	1							
2	1	129C01-13110	MANIFOLD, EXHAUST	1							
3	1	129A01-13601	BOLT, M10X50 10.9T	1							
4	1	129F01-13630	BOLT, M10X80 10.9T	7							
5	1	129C01-13770	SENSOR, TEMPERATURE	1							1
6	2	129A00-91200	CLIP, BAND	1							
7	1	129418-18320	STUD, M8X20	4							
8	1	129A00-13300	PIPE ASSY, PRESSURE	1							
9	2	23297-080061	CLAMP, A8X 6	2							
10	1	129A00-13350	BOLT, PIPE JOINT	1							
11	1	23414-120000	GASKET, 12X1.0	2							
12	1	26106-060122	BOLT, M6X 12 PLATED	2							
13	1	129A00-13400	COOLER, EGR	1							
14	1	129A00-13410	GASKET, EGR COOLER	2							
15	1	129F01-13600	BOLT, M10X90 10.9T	1							
16	1	129E00-13620	BOLT, M8X40 10.9	2							
17	1	129A00-13851	PIPE, EGR OUTLET	1							
18	2	129A00-13861	PIPE, EGR OUTLET	1							
19	2	129418-18320	STUD, M8X20	2							
20	1	26106-080502	BOLT, M8X 50 PLATED	2							
21	1	129C01-13350	PIPE, EXHAUST	1							
22	1	129F01-13650	BOLT, M10X40 10.9T	2							
23	1	129508-18090	GASKET, TURBINE OUT	1							
24	1	119131-18320	STUD, M8X22	4							
25	1	26306-080002	NUT, M8	5							
26	1	129A00-13752	SENSOR,EGR GAS TEMP	1							1
27	1	129C00-13800	PIPE, EGR	1							
28	1	129927-13810	GASKET, EGR PIPE	1							
29	1	26106-080252	BOLT, M8X 25 PLATED	2							
30	1	26306-080002	NUT, M8	2							
31	1	129C00-13901	VALVE, EGR	1							1
32	1	129A00-13910	GASKET, EGR-V INLET	1							
33	1	129A00-13920	GASKET, EGR-V OUTLET	1							
34	1	26306-080002	NUT, M8	2							

Remarks

(1)When replacing this part, it is necessary to update the software of the ECU using the designated service tool. Please refer to the Service Manual for details.

Fig.7. DIESEL PARTICULATE FILTER(DPF)



(A)=4TNV86CHT-MYIA
(B)=4TNV86CHT-MYIAD
(C)=

(D)=
(E)=
(F)=

No.	Lev.	Parts No.	Description	Q'ty						I	R
				(A)	(B)	(C)	(D)	(E)	(F)		
1	1	128300-13230	GASKET, SILENCER		1						
2	1	129C01-16811	STAY, DPF		1						
3	1	129C01-16820	STAY, DPF		1						
4	1	129C01-16830	STAY, DPF		1						
6	1	129C00-13860	SENSOR, ATD TEMP.DS+		1						1
7	1	129C00-13870	SENSOR, ATD TEMP.DS+		1						1
8	1	129C35-16000	DPF ASSY		1						1
9	2	129C33-16200	CASE, DOC		1						1
11	2	129C01-16410	CASE, SOOT FILTER		1						1
13	2	129C01-16550	FLANGE, OUTLET		1						
14	2	129E00-16600	GASKET, DPF		2						
15	2	129A00-16610	BOLT, M8X28 10.9T		20						
16	2	129C01-16680	LIFTER, DPF		1						
17	2	129C01-16700	STIFFENER, DPF A		5						
18	2	129C01-16721	STIFFENER, DPF B		1						
19	2	129C01-16740	STIFFENER, DPF C		1						
20	2	129C01-16750	STIFFENER, DPF C		1						
21	2	26106-080142	BOLT, M8X 14 PLATED		2						
22	2	26306-080002	NUT, M8		20						
24	1	129A00-13350	BOLT, PIPE JOINT		2						
25	1	129A00-17311	GASKET, SENSOR		4						
26	1	129E00-17310	PIPE ASSY, PRESSURE		1						
27	1	129E00-17360	PIPE ASSY, PRESSURE		1						
29	1	129C01-17510	HOSE,PRES EXH		1						
30	1	129A00-17520	CLIP, HOSE		2						
32	1	129A00-17570	CLIP, HOSE		2						
33	1	129A00-17580	HOSE,PRES EXH		1						
34	1	129978-17700	SENSOR, PRESSURE		1						1
35	1	129A00-17780	BRACKET, SENSOR		1						
36	1	26106-060162	BOLT, M6X 16 PLATED		2						
37	1	26106-080202	BOLT, M8X 20 PLATED		2						
38	1	129A00-91200	CLIP, BAND		1						
39	1	129C00-91200	BAND		1						
40	1	129A00-91430	CLIP, CONNECTOR		2						
41	1	26106-080202	BOLT, M8X 20 PLATED		1						
42	1	26106-080202	BOLT, M8X 20 PLATED		3						
43	1	26106-080202	BOLT, M8X 20 PLATED		2						
44	1	26106-080202	BOLT, M8X 20 PLATED		2						
45	1	26106-080202	BOLT, M8X 20 PLATED		2						
46	1	26106-080252	BOLT, M8X 25 PLATED		1						
47	1	26106-080302	BOLT, M8X 30 PLATED		2						
48	1	26106-100202	BOLT, M10X 20 PLATED		2						
49	1	26106-100202	BOLT, M10X 20 PLATED		2						
50	1	26306-080002	NUT, M8		3						
51	1	26306-080002	NUT, M8		1						
52	1	26306-080002	NUT, M8		5						
53	1	26306-100002	NUT, M10		1						
54	1	26306-100002	NUT, M10		4						
55	1	129508-18090	GASKET, TURBINE OUT		1						
56	1	129A01-55650	STAY, FILTER BRACKET		1						
57	1	129A01-07900	LIFTER, ENGINE		1						

Remarks

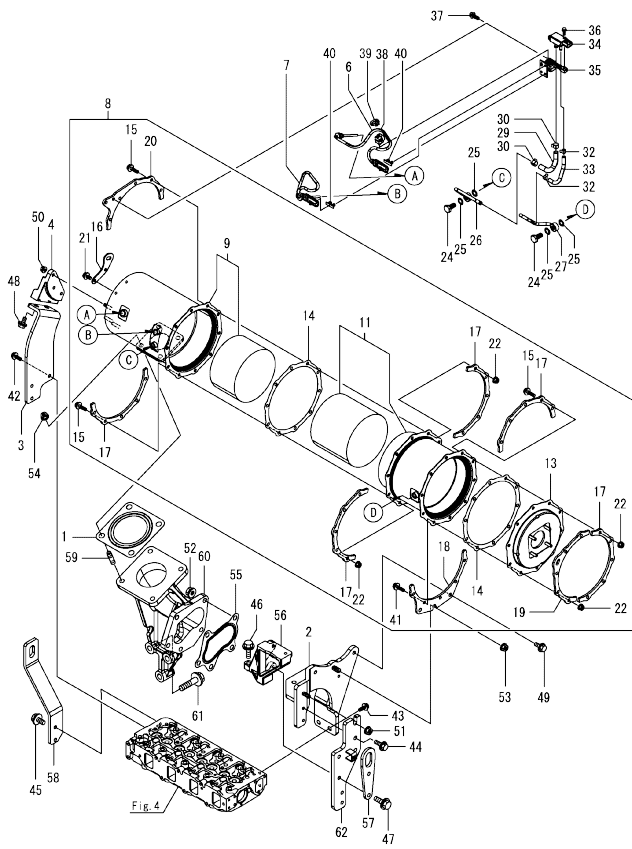
(1)When replacing this part, it is necessary to update the software of the ECU using the designated service tool. Please refer to the Service Manual for details.

Fig.7. DIESEL PARTICULATE FILTER(DPF)

(A)=4TNV86CHT-MYIA
 (B)=4TNV86CHT-MYIAD
 (C)=

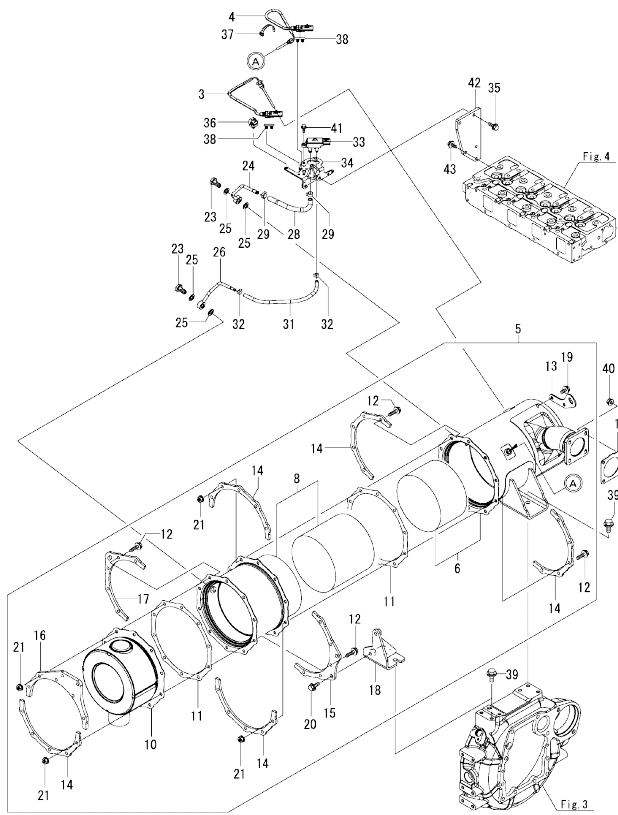
(D)=
 (E)=
 (F)=

No.	Lev.	Parts No.	Description	Q'ty						
				(A)	(B)	(C)	(D)	(E)	(F)	
58	1	129C01-07900	LIFTER, ENGINE		1					
59	1	123900-13130	STUD, M10X22		4					
60	1	129C01-13360	PIPE, EXHAUST		1					
61	1	129F01-13650	BOLT, M10X40 10.9T		3					
62	1	129A01-16810	STAY, DPF		1					



Remarks
 (1)When replacing this part, it is necessary to update the software of the ECU using the designated service tool.
 Please refer to the Service Manual for details.

Fig.8. DIESEL PARTICULATE FILTER(DPF)

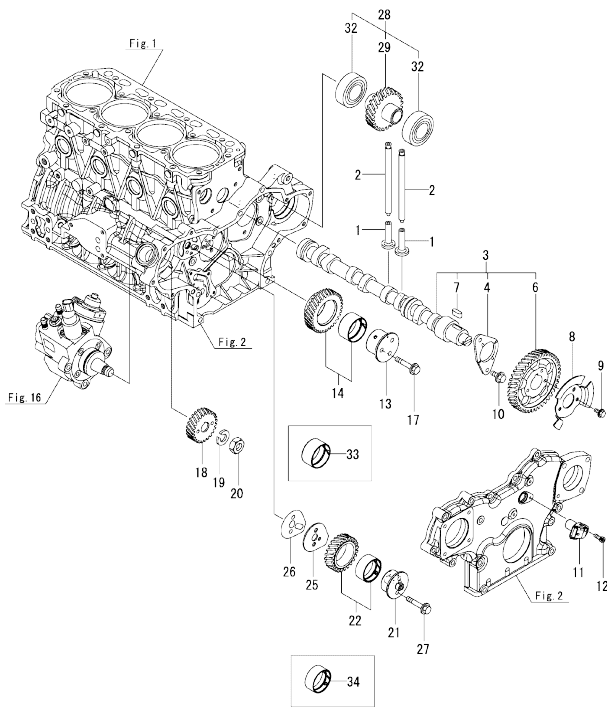


No.	Lev.	Parts No.	Description	Q'ty						I	R
				(A)	(B)	(C)	(D)	(E)	(F)		
1	1	129930-13201	GASKET, SILENCER		1						
3	1	129C00-13860	SENSOR, ATD TEMP.DS+		1						1
4	1	129C00-13870	SENSOR, ATD TEMP.DS+		1						1
5	1	129C35-16040	DPF ASSY		1						1
6	2	129C35-16200	CASE, DOC		1						1
8	2	129C01-16400	CASE, SOOT FILTER		1						1
10	2	129E00-16500	SILENCER, DPF		1						
11	2	129E00-16600	GASKET, DPF		2						
12	2	129A00-16610	BOLT, M8X28 10.9T		20						
13	2	129C01-16680	LIFTER, DPF		1						
14	2	129C01-16700	STIFFENER, DPF A		5						
15	2	129C01-16710	STIFFENER, DPF B		1						
16	2	129C01-16730	STIFFENER, DPF C		1						
17	2	129C01-16740	STIFFENER, DPF C		1						
18	2	129C01-16800	STAY, DPF		1						
19	2	26106-080142	BOLT, M8X 14 PLATED		2						
20	2	26106-100222	BOLT, M10X 22 PLATED		2						
21	2	26306-080002	NUT, M8		20						
23	1	129A00-13350	BOLT, PIPE JOINT		2						
24	1	129E00-17300	PIPE ASSY, PRESSURE		1						
25	1	129A00-17311	GASKET, SENSOR		4						
26	1	129E00-17350	PIPE ASSY, PRESSURE		1						
28	1	129E22-17510	HOSE, PRES EXH		1						
29	1	129A00-17520	CLIP, HOSE		2						
31	1	129E22-17560	HOSE, PRES EXH		1						
32	1	129A00-17570	CLIP, HOSE		2						
33	1	129978-17700	SENSOR, PRESSURE		1						1
34	1	129A00-17760	BRACKET, SENSOR		1						
35	1	26106-080202	BOLT, M8X 20 PLATED		2						
36	1	129A00-91200	CLIP, BAND		1						
37	1	129C00-91200	BAND		1						
38	1	129A00-91430	CLIP, CONNECTOR		2						
39	1	26106-100202	BOLT, M10X 20 PLATED		4						
40	1	26306-080002	NUT, M8		4						
41	1	26106-060162	BOLT, M6X 16 PLATED		2						
42	1	129C32-17710	BRACKET, PRES SENSOR		1						
43	1	26106-080202	BOLT, M8X 20 PLATED		3						

Remarks

(1)When replacing this part, it is necessary to update the software of the ECU using the designated service tool. Please refer to the Service Manual for details.

Fig.9. CAMSHAFT & DRIVING GEAR



(A)=4TNV86CHT-MYIA
(B)=4TNV86CHT-MYIAD
(C)=

(D)=
(E)=
(F)=

No.	Lev.	Parts No.	Description	Q'ty						I	R
				(A)	(B)	(C)	(D)	(E)	(F)		
1	1	129150-14200	TAPPET	8							
2	1	129150-14400	ROD, PUSH L=178	8							
3	1	129C00-14580	CAMSHAFT ASSY	1							
4	2	129150-02450	METAL, THRUST	1							
6	2	129A00-14100	GEAR, CAMSHAFT	1							
7	2	22512-070140	KEY, 7X 14	1							
8	1	129A00-14701	PULSER, CAMSHAFT	1							
9	1	26106-060102	BOLT, M6X 10 PLATED	3							
10	1	26106-080142	BOLT, M8X 14 PLATED	2							
11	1	129A00-14710	SENSOR, ROTATION	1							
12	1	26450-060162	BOLT, M6X 16	1							
13	1	129A00-25050	SHAFT, IDLE GEAR A	1							
14	1	129A00-25110	GEAR ASSY, IDLE A	1							
17	1	26106-080452	BOLT, M8X 45 PLATED	3							
18	1	129A00-25900	GEAR, SUPPLY PUMP	1							
19	1	22217-180000	WASHER, SPRING 18	1							
20	1	26776-180002	NUT, LOCK M18	1							
21	1	129A00-25060	SHAFT, IDLE GEAR B	1							
22	1	129A00-25120	GEAR ASSY, IDLE B	1							
25	1	129A00-25200	PLATE, IDLE SHAFT B	1							
26	1	129A00-25210	GASKET, IDLE SHAFT B	1							
27	1	26106-080402	BOLT, M8X 40 PLATED	2							
28	1	129A88-26000	DRIVE ASSY, PUMP	1							
29	2	129484-26210	GEAR ASSY, PUMP	1							
32	2	24105-060064	BEARING, BALL 6006Z	2							
33	1	119802-25071	BUSH, IDLE GEAR	1							1
34	1	129A00-25080	BUSH, IDLE GEAR B	1							1

Remarks
(1)Spare parts.

OCD50-M06670 ENGINE
 Fig.10. TURBINE

OCD50-M06670 Fig.10

(A)=4TNV86CHT-MYIA
 (B)=4TNV86CHT-MYIAD
 (C)=

(D)=
 (E)=
 (F)=

No.	Lev.	Parts No.	Description	Q'ty						
				(A)	(B)	(C)	(D)	(E)	(F)	
1	1	129C01-18011	TURBOCHARGER, RHF4	1						
2	1	129508-18080	GASKET, TURBINE IN	1						
3	1	119131-18320	STUD, M8X22	5						
4	1	26306-080002	NUT, M8	4						

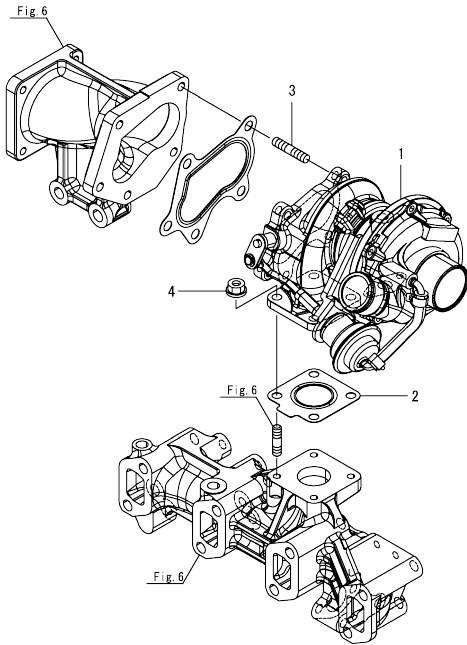
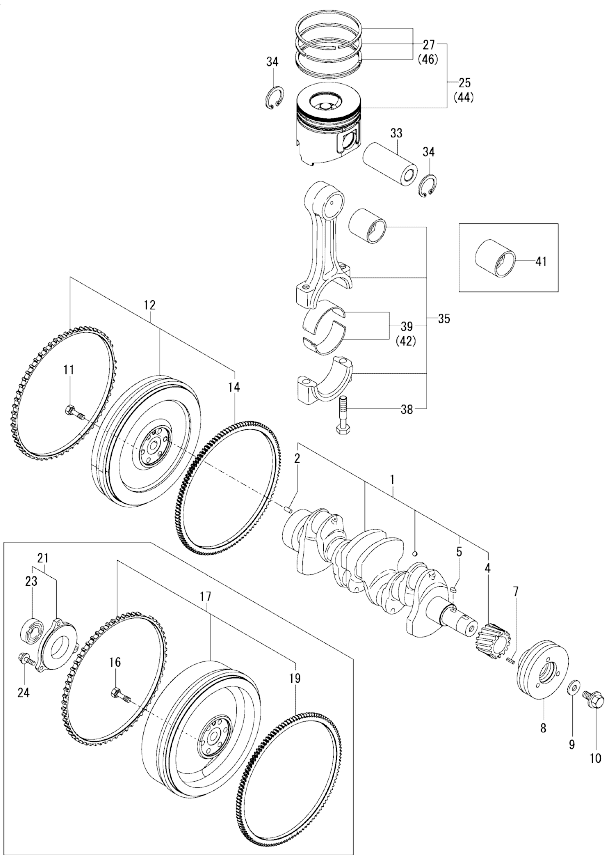


Fig.11. CRANKSHAFT & PISTON



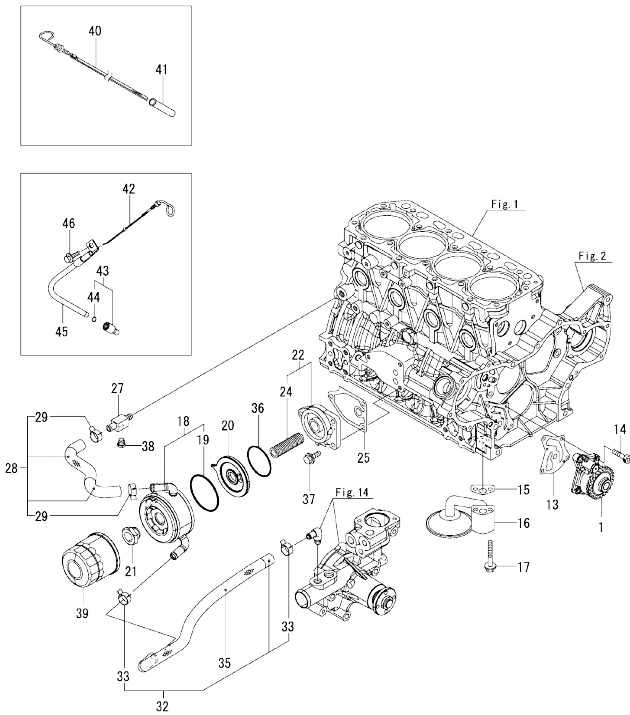
(A)=4TNV86CHT-MYIA
(B)=4TNV86CHT-MYIAD
(C)=

(D)=
(E)=
(F)=

No.	Lev.	Parts No.	Description	Q'ty						I	R
				(A)	(B)	(C)	(D)	(E)	(F)		
1	1	129509-21000	CRANKSHAFT ASSY	1							
2	2	129100-01580	PIN, PARALLEL 8X16	1							
4	2	119803-21200	GEAR, CRANKSHAFT	1							
5	2	22512-070140	KEY, 7X 14	1							
7	1	22351-030010	PIN, SPRING 3.0X10	1							
8	1	129558-21660	V-PULLEY, CRANKSHAFT	1							
9	1	129795-21661	WASHER, 14	1							
10	1	121850-21680	BOLT, V-PULLEY	1							
11	1	121111-21501	BOLT, FLYWHEEL	6							
12	1	129C34-21580	FLYWHEEL ASSY	1							
14	2	119865-21600	GEAR, RING Z=116	1							
16	1	121111-21501	BOLT, FLYWHEEL			6					
17	1	129C00-21590	FLYWHEEL ASSY	1							
19	2	119865-21600	GEAR, RING Z=116	1							
21	1	119888-21450	RETAINER, BEARING	1							
23	2	24104-062054	BEARING, BALL 6205UU	1							
24	1	26106-080222	BOLT, M8X 22 PLATED			3					
25	1	129A01-22080	PISTON ASSY	4							
27	2	129A01-22500	RING SET, PISTON	4							
33	1	129202-22300	PIN, PISTON D26 L70	4							
34	1	22252-000260	RING, 26	8							
35	1	729402-23100	ROD ASSY, CONNECTING	4							
38	2	121550-23200	BOLT, CONNECTING ROD	8							
39	2	129150-23601	METAL ASSY,CRANK PIN	4							
41	1	129100-23910	METAL, PISTON PIN	4							1
42	1	129150-23611	METAL, CRANK PIN .25	4							2
44	1	129A01-22900	PISTON ASSY, 0.25 OS	4							3
46	2	129A01-22950	RING SET, PISTON .25	4							3

Remarks
 (1)Spare parts.
 (2)Under-sized(U.S.=0.25) parts.
 (3)Over-sized(O.S.=0.25) parts.

Fig.12. LUB. OIL SYSTEM



(A)=4TNV86CHT-MYIA
(B)=4TNV86CHT-MYIAD
(C)=

(D)=
(E)=
(F)=

No.	Lev.	Parts No.	Description	Q'ty						I	R
				(A)	(B)	(C)	(D)	(E)	(F)		
1	1	129A01-32000	PUMP ASSY, OIL	1							
13	1	129486-32020	GASKET, PUMP	1							
14	1	26450-060252	BOLT, M6X 25	4							
15	1	129150-35042	GASKET, INLET PIPE	1							
16	1	129436-35070	PIPE ASSY, OIL INLET	1							
17	1	26106-080552	BOLT, M8X 55 PLATED	2							
18	1	129908-33010	COOLER ASSY, OIL	1							
19	2	123912-33050	O-RING	1							
20	1	129C01-33100	BRACKET, COOLER	1							
21	1	129417-33111	NUT, OIL COOLER	1							
22	1	129648-35100	BRACKET ASSY, FILTER	1							
24	2	129648-35150	STUD	1							
25	1	129150-35111	GASKET, BRACKET	1							
27	1	129006-44480	JOINT, R02	1							
28	1	129A01-49030	PIPE, COOLER INLET	1							
29	2	171008-03990	CLAMP, HOSE 18.5	2							
32	1	129A01-49040	PIPE, COOLER OUTLET	1							
33	2	171008-03990	CLAMP, HOSE 18.5	2							
35	2	129608-49090	TUBE, CORRUGATED	1							
36	1	24321-000600	O-RING, 1AG60.0	1							
37	1	26106-080202	BOLT, M8X 20 PLATED	3							
38	1	171056-49120	PLUG, DRAIN R1/4	1							
39	1	129150-35170	FILTER ASSY, D80X80L	1							1
40	1	129004-34802	DIPSTICK, OIL			1					
41	1	121520-34820	GUIDE, DIPSTICK	1							
42	1	129601-34801	DIPSTICK, OIL	1							
43	1	119260-34840	GUIDE, DIPSTICK	1							
44	2	24316-240100	O-RING, 4DP10A	1							
45	1	129C88-34870	GUIDE, DIPSTICK	1							
46	1	26106-080162	BOLT, M8X 16 PLATED	1							

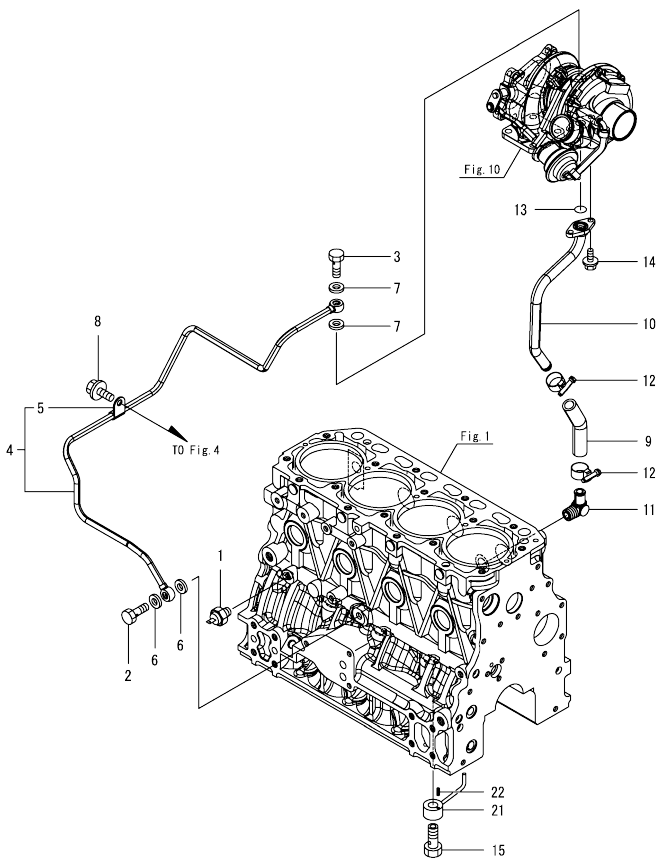
Remarks
(1)Spare parts.

Fig.13. LUB. OIL PIPE

(A)=4TNV86CHT-MYIA
 (B)=4TNV86CHT-MYIAD
 (C)=

(D)=
 (E)=
 (F)=

No.	Lev.	Parts No.	Description	Q'ty						I	R
				(A)	(B)	(C)	(D)	(E)	(F)		
1	1	119761-39450	SWITCH, HYDRAULIC	1							
2	1	124160-39140	BOLT, PIPE JOINT M10	1							
3	1	121252-39150	BOLT, JOINT M10X1.5	1							
4	1	129C01-39450	PIPE ASSY, TURBINE	1							
5	2	124223-39900	RETAINER	1							
6	1	22190-100002	WASHER, SEAL 10	2							
7	1	23414-100000	GASKET, 10X1.0	2							
8	1	26106-080122	BOLT, M8X 12 PLATED	1							
9	1	129044-39610	JOINT, RUBBER	1							
10	1	129C01-39610	PIPE, OIL RETURN	1							
11	1	129466-49300	ELBOW, PT3/8	1							
12	1	23000-022000	CLAMP, 22	2							
13	1	24316-000160	O-RING, 4DP16.0	1							
14	1	26106-060122	BOLT, M6X 12 PLATED	2							
15	1	129792-39410	VALVE ASSY, CHECK	4							
21	1	129553-39650	NOZZLE, COOLING	4							
22	1	22351-030010	PIN, SPRING 3.0X10	4							

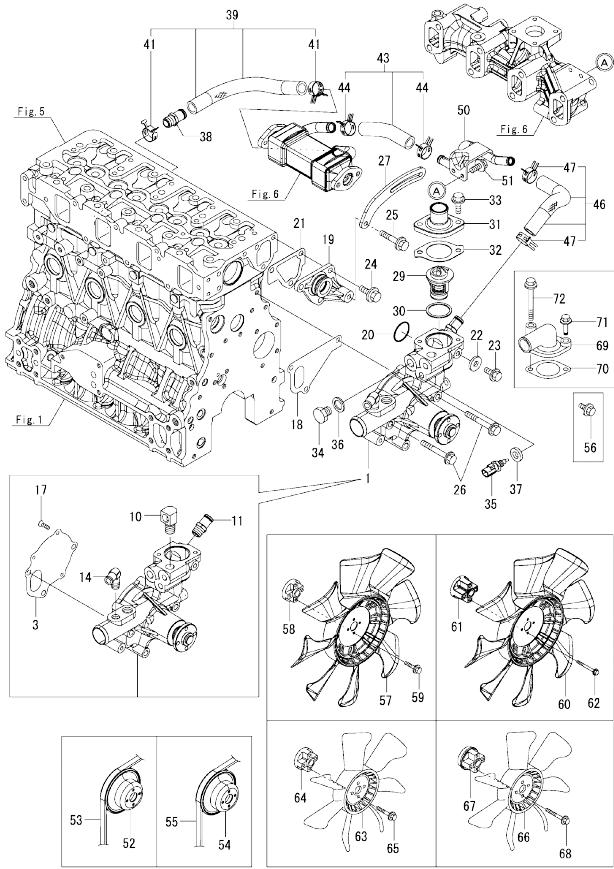


N:Old $\frac{100}{100}$ New, Q:Old $\frac{100}{100}$ New, R:Old $\frac{100}{100}$ New, S:Old $\frac{100}{100}$ New, W:Add, Z:Discontinued, F:Interchangeable by set, K:Qty Change
 Copyright (C) 2021 YANMAR GLOBAL CS CO., LTD. All Rights Reserved.

Fig.14. COOLING WATER SYSTEM

(A)=4TNV86CHT-MYIA
(B)=4TNV86CHT-MYIAD
(C)=

(D)=
(E)=
(F)=

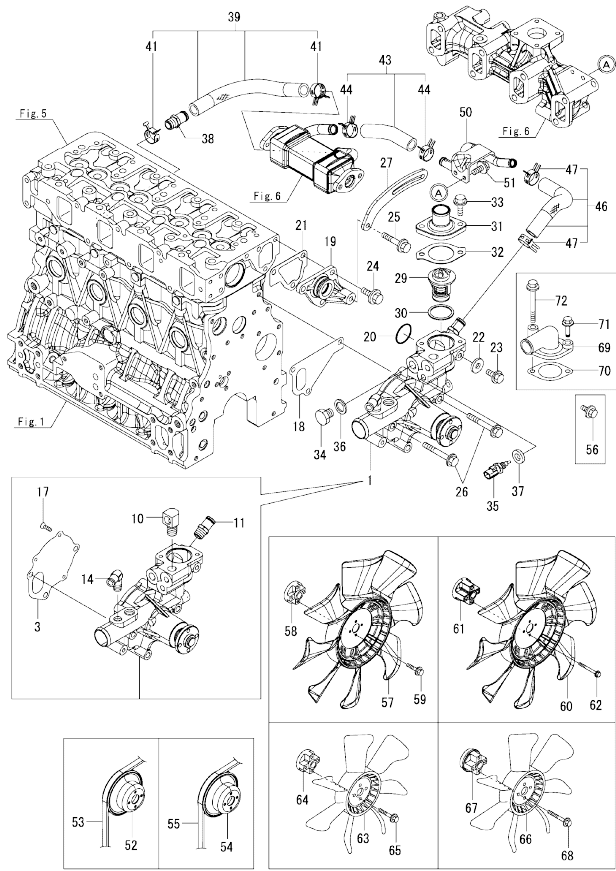


No.	Lev.	Parts No.	Description	(A)	(B)	(C)	(D)	(E)	(F)	I	R
1	1	129C35-42011	PUMP ASSY, CW	1							
3	2	129100-42051	GASKET, WATER PUMP	1							
10	2	129C20-49350	ELBOW, R3/8	1							
11	2	129928-49420	JOINT	1							
14	2	129103-49301	ELBOW, PT1/4	1							
17	2	129150-42290	SCREW, FLAT M6X15	3							
18	1	129486-42021	GASKET, WATER PUMP	1							
19	1	129004-42040	JOINT, WATER PIPE	1							
20	1	129486-42140	O-RING, G30	1							
21	1	124395-49840	GASKET, THERMOSTAT	1							
22	1	23414-080000	GASKET, 8X1.0	1							
23	1	26106-080122	BOLT, M8X 12 PLATED	1							
24	1	26106-080162	BOLT, M8X 16 PLATED	3							
25	1	26106-080452	BOLT, M8X 45 PLATED	1							
26	1	26106-080602	BOLT, M8X 60 PLATED	3							
27	1	119802-77330	ADJUSTER, BELT	1							
29	1	129155-49801	THERMOSTAT, 71C	1							
30	1	129150-49811	GASKET, THERMOSTAT	1							
31	1	129350-49530	COVER, THERMOSTAT	1							
32	1	129795-49551	GASKET, COVER	1							
33	1	26106-080222	BOLT, M8X 22 PLATED	2							
34	1	121450-42450	PLUG, M16	1							
35	1	129927-44900	SENSOR, TEMPERATURE	1							1
36	1	124465-44950	GASKET, 16	1							
37	1	22190-120002	WASHER, SEAL 12	1							
38	1	129928-49420	JOINT	1							
39	1	129A00-49610	PIPE ASSY, EGR-C IN	1							
41	2	129960-03990	CLAMP, HOSE 19.8	2							
43	1	129C00-49610	PIPE ASSY, OUTLET A	1							
44	2	129960-03990	CLAMP, HOSE 19.8	2							
46	1	129C00-49620	PIPE ASSY, OUTLET B	1							
47	2	129960-03990	CLAMP, HOSE 19.8	2							
50	1	129C23-49700	PIPE ASSY, WATER	1							
51	1	26106-080162	BOLT, M8X 16 PLATED	2							
52	1	129120-42351	V-PULLEY, PUMP	1							
53	1	129612-42370	V-BELT, A39.5	1							
54	1	129403-42380	V-PULLEY, PUMP	1							
55	1	25152-003900	V-BELT, A39	1							
56	1	26106-060122	BOLT, M6X 12 PLATED	4							
57	1	129436-44740	FAN, COOLING D=410	1							
58	1	121267-44760	SPACER, FAN 18MM	1							
59	1	26014-060302	BOLT, M6X 30	4							
60	1	129436-44740	FAN, COOLING D=410	1							
61	1	129030-44760	SPACER, FAN L38.5	1							
62	1	26106-060502	BOLT, M6X 50 PLATED	4							
63	1	129655-44740	FAN, COOLING D=380	1							
64	1	171353-44760	SPACER, FAN 25MM	1							
65	1	26106-060402	BOLT, M6X 40 PLATED	4							
66	1	129655-44740	FAN, COOLING D=380	1							
67	1	129030-44760	SPACER, FAN L38.5	1							
68	1	26106-060502	BOLT, M6X 50 PLATED	4							

Remarks

(1)When replacing this part, it is necessary to update the software of the ECU using the designated service tool. Please refer to the Service Manual for details.

Fig.14. COOLING WATER SYSTEM



(A)=4TNV86CHT-MYIA
(B)=4TNV86CHT-MYIAD
(C)=

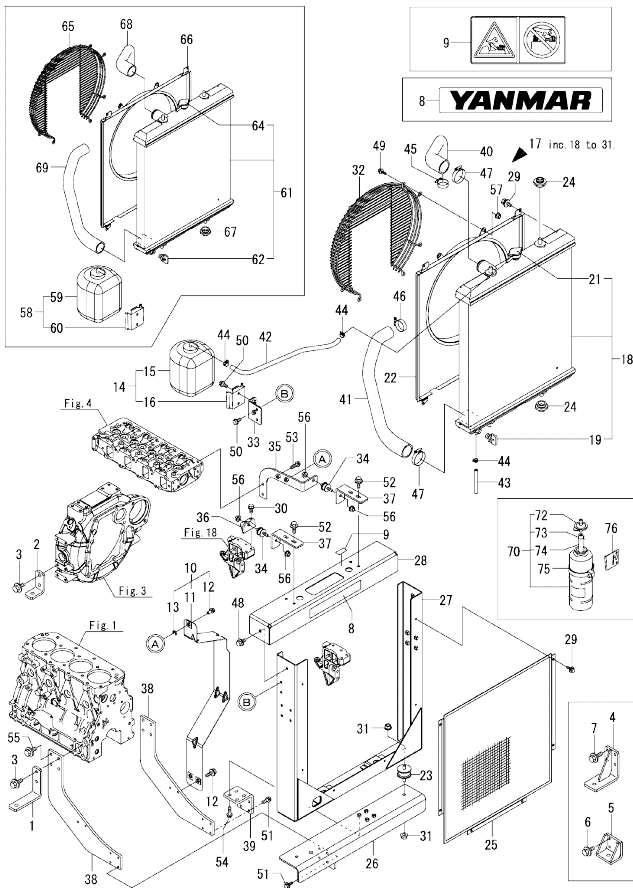
(D)=
(E)=
(F)=

No.	Lev.	Parts No.	Description	Q'ty						
				(A)	(B)	(C)	(D)	(E)	(F)	
69	1	124101-49531	COVER, THERMOSTAT		1					
70	1	129795-49551	GASKET, COVER		1					
71	1	26106-080282	BOLT, M8X 28 PLATED		1					
72	1	26106-080652	BOLT, M8X 65 PLATED		1					

Remarks

(1)When replacing this part, it is necessary to update the software of the ECU using the designated service tool. Please refer to the Service Manual for details.

Fig.15. RADIATOR



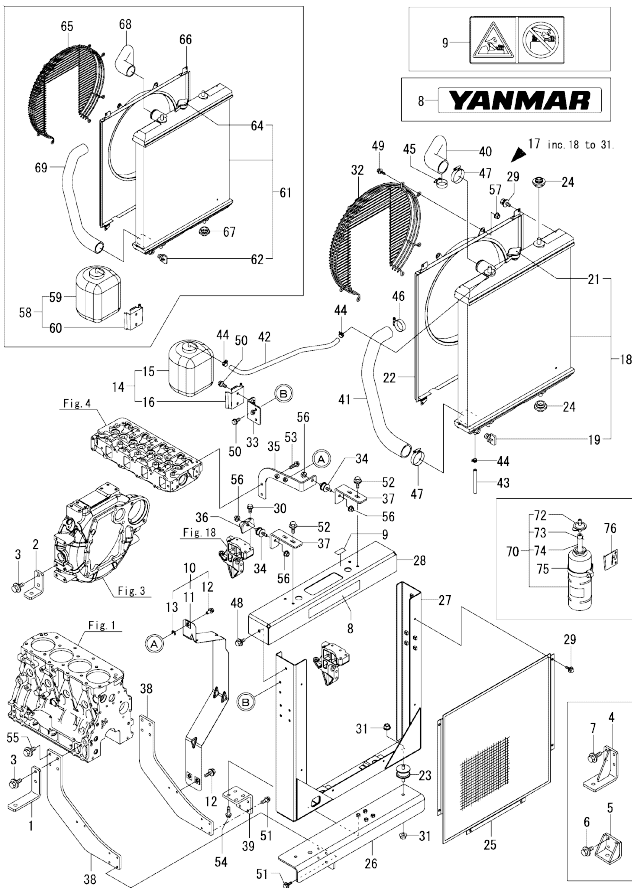
(A)=4TNV86CHT-MYIA
(B)=4TNV86CHT-MYIAD
(C)=

(D)=
(E)=
(F)=

No.	Lev.	Parts No.	Description	Q'ty						I	R
				(A)	(B)	(C)	(D)	(E)	(F)		
1	1	119933-08100	FOOT, MOUNTING A		2						
2	1	119933-08110	FOOT, MOUNTING B		2						
3	1	26106-100202	BOLT, M10X 20 PLATED		8						
4	1	129188-08100	FOOT, MOUNTING A		2						
5	1	119888-08110	FOOT, MOUNTING B		2						
6	1	26106-100202	BOLT, M10X 20 PLATED		8						
7	1	26106-100302	BOLT, M10X 30 PLATED		8						
8	1	129247-07002	LABEL, YANMAR MARK		1						
9	1	129946-07000	LABEL, NO OPEN		1						
10	1	129C32-42810	COVER ASSY, V-BELT		1						
11	2	129C32-42800	COVER, V-BELT		1						
12	2	119746-42820	SCREW, V-BELT COVER		3						
13	2	22276-000060	RING, E- 6		3						
14	1	720445-44200	TANK ASSY, SUB		1						
15	2	120445-44530	TANK, SUB		1						
16	2	120445-44540	BRACKET, SUB TANK		1						
17	1	129C32-44500	RADIATOR ASSY		1						
18	2	129940-44510	RADIATOR ASSY		1						
19	3	129508-44550	COCK ASSY		1						
21	3	129107-44590	CAP, RADIATOR		1						
22	2	129C01-44600	SHROUD		1						
23	2	121400-44650	RUBBER, RADIATOR		2						
24	2	119255-44660	RUBBER, RADIATOR		4						
25	2	129946-44800	SCREEN, RADIATOR		1						
26	2	129C32-44960	BRACKET, B RADIATOR		1						
27	2	129C32-44970	BRACKET, C RADIATOR		1						
28	2	129946-44980	BRACKET, RADIATOR D		1						
29	2	26106-060162	BOLT, M6X 16 PLATED		10						
30	2	26106-080162	BOLT, M8X 16 PLATED		2						
31	2	26366-100002	NUT, M10		4						
32	1	129601-44560	GUARD, FAN		1						
33	1	129C32-44600	BRACKET, SUB TANK		1						
34	1	121400-44640	RUBBER, RADIATOR		2						
35	1	129C32-44910	STAY, A RADIATOR		1						
36	1	129C32-44920	STAY, B RADIATOR		1						
37	1	129946-44940	STAY, RADIATOR C		2						
38	1	129C32-44950	BRACKET, A RADIATOR		2						
39	1	129C32-44990	BRACKET, E RADIATOR		1						
40	1	129C01-49010	PIPE, COOLING WATER		1						
41	1	129C01-49020	PIPE, COOLING WATER		1						
42	1	129426-49150	PIPE, WATER DRAIN		1						
43	1	121520-49160	PIPE, WATER DRAIN B		1						
44	1	124766-59050	CLAMP, HOSE 11.5		3						
45	1	23000-041000	CLAMP, 41		1						
46	1	23000-048000	CLAMP, 48		1						
47	1	23000-060000	CLAMP, 60		2						
48	1	26106-080162	BOLT, M8X 16 PLATED		2						
49	1	26106-080162	BOLT, M8X 16 PLATED		8						
50	1	26106-080162	BOLT, M8X 16 PLATED		4						
51	1	26106-080202	BOLT, M8X 20 PLATED		8						
52	1	26106-080202	BOLT, M8X 20 PLATED		4						

Remarks
(1) Loose parts.

Fig.15. RADIATOR



(A)=4TNV86CHT-MYIA
(B)=4TNV86CHT-MYIAD
(C)=

(D)=
(E)=
(F)=

No.	Lev.	Parts No.	Description	Q'ty						I	R
				(A)	(B)	(C)	(D)	(E)	(F)		
53	1	26106-080252	BOLT, M8X 25 PLATED		2						
54	1	26106-080252	BOLT, M8X 25 PLATED		4						
55	1	26106-100222	BOLT, M10X 22 PLATED		8						
56	1	26306-080002	NUT, M8		4						
57	1	26306-080002	NUT, M8		8						
58	1	720445-44200	TANK ASSY, SUB		1						
59	2	120445-44530	TANK, SUB		1						
60	2	120445-44540	BRACKET, SUB TANK		1						
61	1	129940-44510	RADIATOR ASSY		1						
62	2	129508-44550	COCK ASSY		1						
64	2	129107-44590	CAP, RADIATOR		1						
65	1	129601-44560	GUARD, FAN		1						
66	1	129C01-44600	SHROUD		1						
67	1	119255-44660	RUBBER, RADIATOR		4						
68	1	129C01-49010	PIPE, COOLING WATER		1						
69	1	129C01-49020	PIPE, COOLING WATER		1						
70	1	124450-44510	TANK ASSY, SUB		1						1
72	2	124450-44530	CAP, SUB TANK		1						
73	2	124450-44560	CLAMP, PIPE		1						
74	2	23061-070230	PIPE, 7X 230		1						
75	1	124450-44550	BAND, SUB TANK		1						1
76	1	121256-44600	BRACKET, SUB TANK		1						1

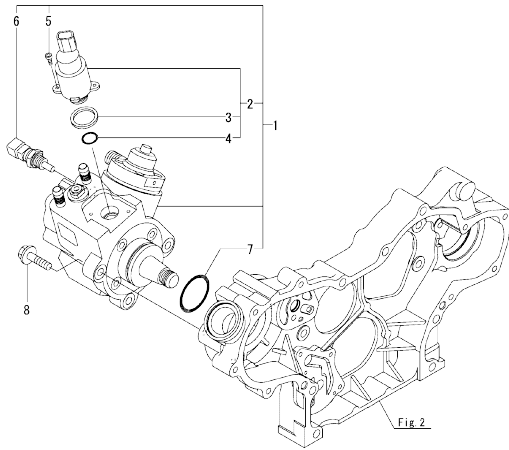
Remarks

(1) Loose parts.

Fig.16. FUEL SUPPLY PUMP

(A)=4TNV86CHT-MYIA
 (B)=4TNV86CHT-MYIAD
 (C)=

(D)=
 (E)=
 (F)=



No.	Lev.	Parts No.	Description	Q'ty						I	R
				(A)	(B)	(C)	(D)	(E)	(F)		
1	1	129C28-51000	PUMP ASSY, FUEL	1							1
2	2	129A00-51100	VALVE ASSY	1							1
3	3	129A00-51110	RING, SEAL	1							
4	3	129A00-51120	O-RING, MPROP	1							
5	2	129A00-51130	BOLT, MPROP	2							
6	2	129A00-51200	SENSOR, TEMPERATURE	1							1
7	2	129A00-51900	O-RING, FUEL PUMP	1							
8	1	26106-080302	BOLT, M8X 30 PLATED	3							

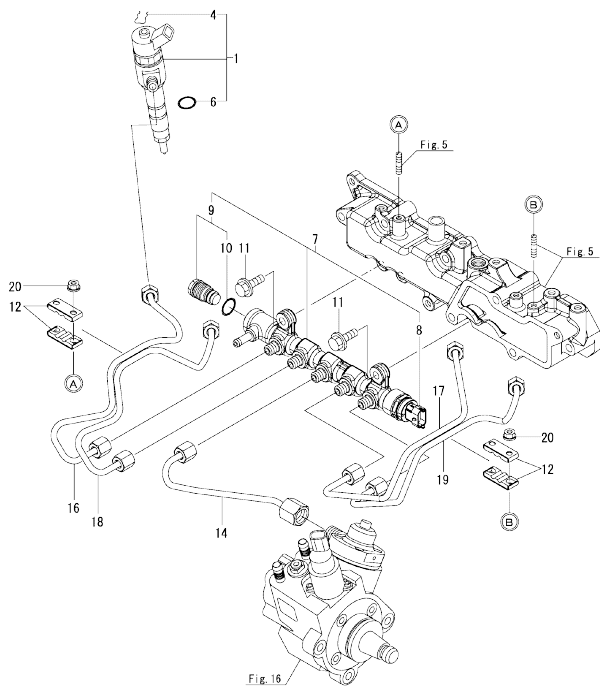
Remarks

(1)When replacing this part, it is necessary to update the software of the ECU using the designated service tool. Please refer to the Service Manual for details.

Fig.17. FUEL INJECTION VALVE

(A)=4TNV86CHT-MYIA
 (B)=4TNV86CHT-MYIAD
 (C)=

(D)=
 (E)=
 (F)=

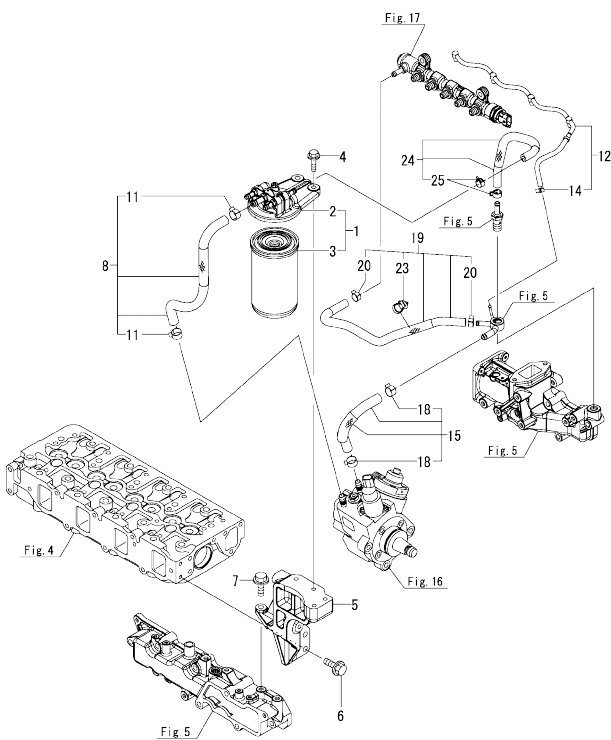


No.	Lev.	Parts No.	Description	Q'ty						I	R
				(A)	(B)	(C)	(D)	(E)	(F)		
1	1	129A01-53100	INJECTOR, CR	4							1
4	2	129A00-53200	RING, RETAINING	4							
6	2	129C28-53300	O-RING	4							
7	1	129C00-57000	COMMON RAIL ASSY	1							1
8	2	129A00-57100	SENSOR, PRESSURE	1							1
9	2	129A00-57200	VALVE ASSY, PLV4	1							1
10	3	129A00-57210	O-RING, PLV4	1							
11	1	26106-080252	BOLT, M8X 25 PLATED	2							
12	1	122780-59100	RETAINER, PIPE	4							
14	1	129A00-59700	PIPE ASSY, RAIL IN	1							
16	1	129C00-59810	PIPE ASSY, INJECTION	1							
17	1	129A00-59820	PIPE ASSY, INJECTION	1							
18	1	129C00-59820	PIPE ASSY, INJECTION	1							
19	1	129A00-59830	PIPE ASSY, INJECTION	1							
20	1	26366-060002	NUT, M6	4							

Remarks

(1)When replacing this part, it is necessary to update the software of the ECU using the designated service tool. Please refer to the Service Manual for details.

Fig.18. FUEL PIPE

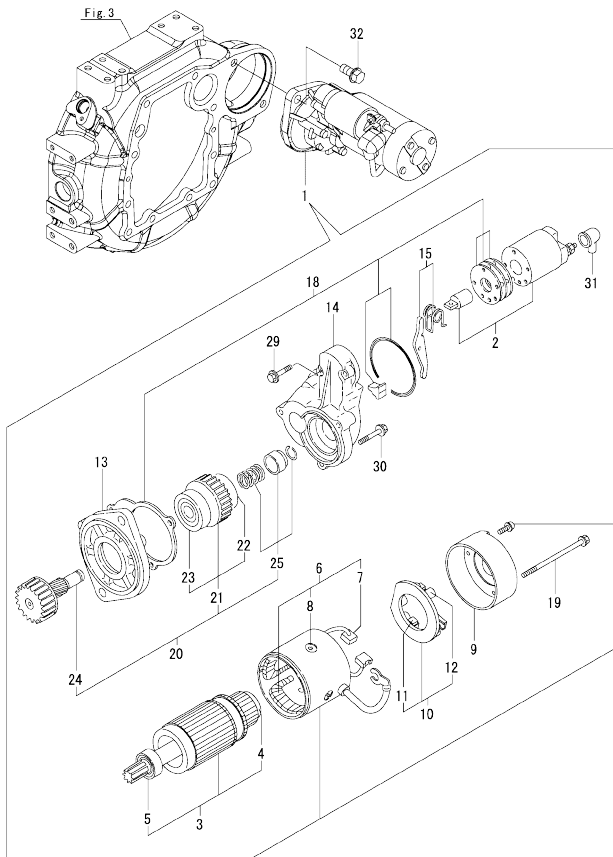


(A)=4TNV86CHT-MYIA
(B)=4TNV86CHT-MYIAD
(C)=

(D)=
(E)=
(F)=

No.	Lev.	Parts No.	Description	Q'ty					
				(A)	(B)	(C)	(D)	(E)	(F)
1	1	129C00-55600	FILTER ASSY, FO	1					
2	2	129A00-55610	BRACKET ASSY, FILTER	1					
3	2	129C00-55800	FILTER, FO	1					
4	1	26106-080302	BOLT, M8X 30 PLATED	2					
5	1	129C32-55650	BRACKET, FO FILTER	1					
6	1	26106-080202	BOLT, M8X 20 PLATED	2					
7	1	26106-080252	BOLT, M8X 25 PLATED	1					
8	1	129A00-59010	PIPE ASSY, FUEL	1					
11	2	23080-015000	CLAMP, 15	2					
12	1	129677-59501	PIPE ASSY, RETURN	1					
14	2	23080-007000	CLAMP, 7	1					
15	1	129A00-59020	PIPE ASSY, RETURN	1					
18	2	23080-015000	CLAMP, 15	2					
19	1	129C00-59030	PIPE ASSY, RETURN	1					
20	2	114270-59010	CLAMP, HOSE 12	2					
23	2	129A00-91200	CLIP BAND	1					
24	1	129A00-59040	PIPE ASSY, RETURN	1					
25	2	114270-59010	CLAMP, HOSE 12	2					

Fig.19. STARTER MOTOR



(A)=4TNV86CHT-MYIA
(B)=4TNV86CHT-MYIAD
(C)=

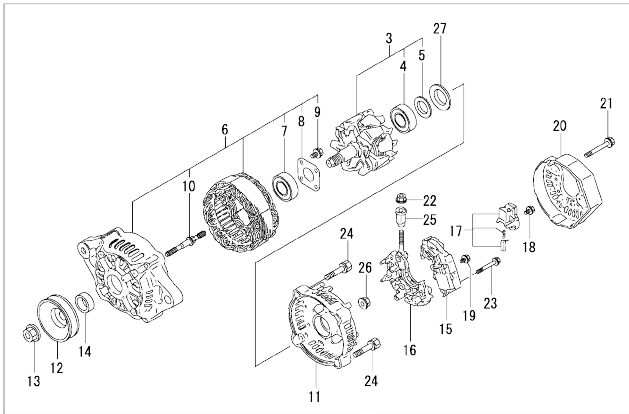
(D)=
(E)=
(F)=

No.	Lev.	Parts No.	Description	Q'ty					
				(A)	(B)	(C)	(D)	(E)	(F)
1	1	129136-77011	STARTER	1					
2	2	129136-77310	SWITCH ASSY, MAGNET	1					
3	2	129900-77400	ARMATURE ASSY	1					
4	3	X2130350900	BEARING, BALL	1					
5	3	X2114255110	BEARING, BALL	1					
6	2	129900-77440	COIL ASSY, FIELD	1					
7	3	129900-77450	BRUSH, +	2					
8	3	171008-77450	SCREW, CORE SET	4					
9	2	129900-77460	COVER, REAR	1					
10	2	129900-77480	HOLDER ASSY, BRUSH	1					
11	3	129900-77450	BRUSH, +	2					
12	3	129400-77490	SPRING, BRUSH	4					
13	2	171008-77510	CASE, GEAR	1					
14	2	129136-77520	HOUSING, STARTOR	1					
15	2	171008-77540	LEVER SET, SHIFT	1					
18	2	129400-77571	COVER KIT, DUST	1					
19	2	129900-77640	BOLT, THROUGH	2					
20	2	171008-77650	PINION ASSY,W/CLUTCH	1					
21	3	X2114555500	CLUTCH ASSY	1					
22	4	X2114955020	BEARING, BALL	1					
23	4	X2240410100	BEARING, BALL	1					
24	3	171008-77660	SHAFT, PINION	1					
25	3	171008-77670	STOPPER SET, PINION	1					
29	2	26106-060322	BOLT, M6X 32 PLATED	2					
30	2	26106-060402	BOLT, M6X 40 PLATED	3					
31	2	171008-77750	COVER, TERMINAL	1					
32	1	26106-120252	BOLT, M12X 25 PLATED	2					

Fig.20. GENERATOR

(A)=4TNV86CHT-MYIA
 (B)=4TNV86CHT-MYIAD
 (C)=

(D)=
 (E)=
 (F)=



No.	Lev.	Parts No.	Description	Qty						I	R
				(A)	(B)	(C)	(D)	(E)	(F)		
1	1	129795-01900	BOLT, M10X33		1						
2	1	119751-77210	ALTERNATOR, 12V-40A			1					
3	2	119620-77380	ROTOR ASSY			1					
4	3	123501-79240	BEARING, BALL				1				
5	3	119620-79250	COVER, BEARING				1				
6	2	129052-77422	FRAME ASSY			1					
7	3	119620-79200	BEARING, BALL				1				
8	3	119620-79210	PLATE, RETAINER				1				
9	3	119620-79220	SCREW				4				
10	3	119620-79230	STUD				2				
11	2	119751-77440	FRAME ASSY, REAR			1					
12	2	119620-77461	PULLEY, GENERATOR			1					
13	2	119620-77471	NUT				1				
14	2	119620-77490	COLLAR				1				
15	2	129423-77730	REGULATOR ASSY				1				
16	2	119620-79260	HOLDER ASSY				1				
17	2	129052-79270	HOLDER ASSY, BRUSH				1				
18	2	119620-79290	SCREW				6				
19	2	119620-79300	SCREW				1				
20	2	129240-79300	COVER				1				
21	2	119620-79310	BOLT				3				
22	2	129240-79310	NUT				1				
23	2	119620-79320	SCREW, W/WASHER				2				
24	2	119620-79330	BOLT				2				
25	2	119620-79340	BUSH, INSULATION				1				
26	2	119620-79350	NUT				2				
27	2	119620-79360	WASHER, THRUST				1				
28	1	119940-77270	SPACER, GENERATOR				1				
29	1	119802-77340	BOLT, ADJUSTER L=40				1				
30	1	26306-100002	NUT, M10				1				

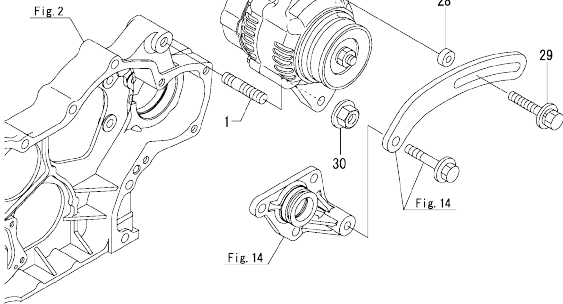
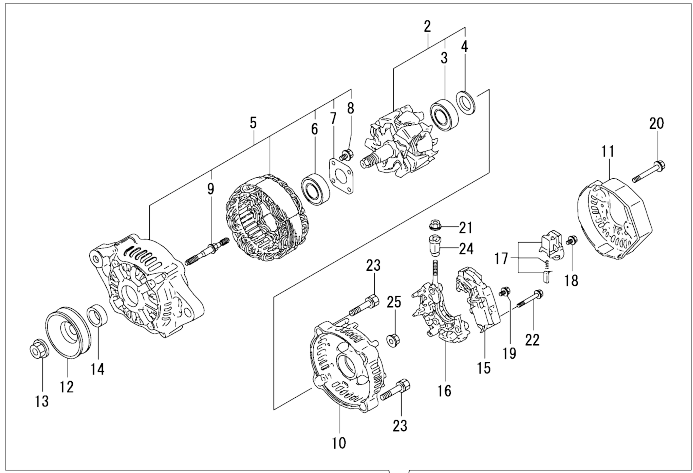


Fig.21. GENERATOR

(A)=4TNV86CHT-MYIA
(B)=4TNV86CHT-MYIAD
(C)=
(D)=
(E)=
(F)=



No.	Lev.	Parts No.	Description	Q'ty						
				(A)	(B)	(C)	(D)	(E)	(F)	
1	1	119626-77220	ALTERNATOR, 12V-55A		1					
2	2	129052-77380	ROTOR ASSY		1					
3	3	123501-79240	BEARING, BALL		1					
4	3	119620-79250	COVER, BEARING		1					
5	2	129052-77422	FRAME ASSY		1					
6	3	119620-79200	BEARING, BALL		1					
7	3	119620-79210	PLATE, RETAINER		1					
8	3	119620-79220	SCREW		4					
9	3	119620-79230	STUD		2					
10	2	128401-77440	COVER, END		1					
11	2	119626-77450	COVER, END		1					
12	2	119620-77461	PULLEY, GENERATOR		1					
13	2	119620-77471	NUT		1					
14	2	119620-77490	COLLAR		1					
15	2	129423-77730	REGULATOR ASSY		1					
16	2	129052-79260	HOLDER ASSY		1					
17	2	129052-79270	HOLDER ASSY, BRUSH		1					
18	2	119620-79290	SCREW		6					
19	2	119620-79300	SCREW		1					
20	2	119620-79310	BOLT		3					
21	2	129240-79310	NUT		1					
22	2	119620-79320	SCREW, W/WASHER		2					
23	2	119620-79330	BOLT		2					
24	2	119620-79340	BUSH, INSULATION		1					
25	2	119620-79350	NUT		2					
26	1	119940-77270	SPACER, GENERATOR		1					
27	1	119802-77340	BOLT, ADJUSTER L=40		1					
28	1	26306-100002	NUT, M10		1					

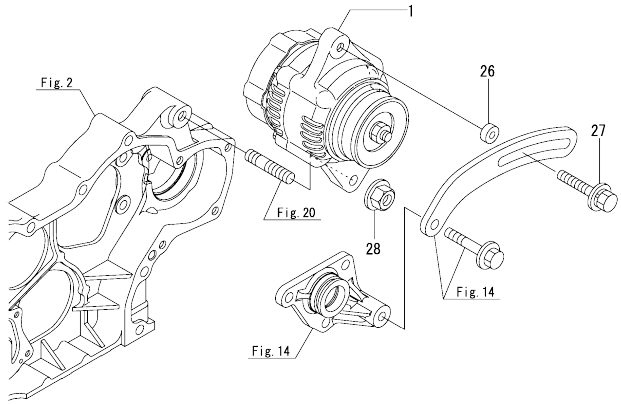
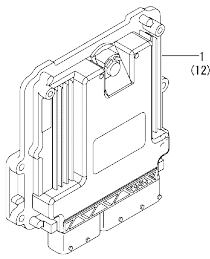


Fig.22. ELECTRONIC CONTROL UNIT(ECU)



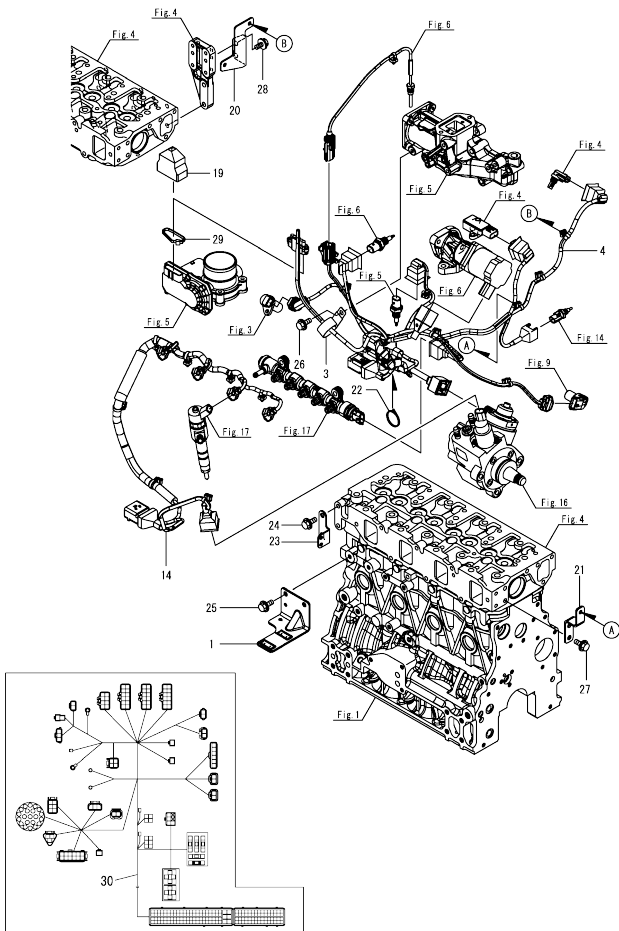
(A)=4TNV86CHT-MY1A
 (B)=4TNV86CHT-MY1AD
 (C)=

(D)=
 (E)=
 (F)=

No.	Lev.	Parts No.	Description	Q'ty						I	R	
				(A)	(B)	(C)	(D)	(E)	(F)			
1	1	129C35-75061	ECU ASSY,486CHT-MY12	1							1	
12	1	129A00-75910	ECU ASSY,SERVICE YMR		1							2

Remarks
 (1)Eco ECU
 This part cannot be ordered.
 Replace the part using a Service ECU with the proper engine information installed.
 (2)Service ECU
 When replacing this part, it is necessary to update the software of the ECU using the designated service tool.
 Please refer to the Service Manual for details.

Fig.23. ELECTRIC PARTS



(A)=4TNV86CHT-MYIA
(B)=4TNV86CHT-MYIAD
(C)=

(D)=
(E)=
(F)=

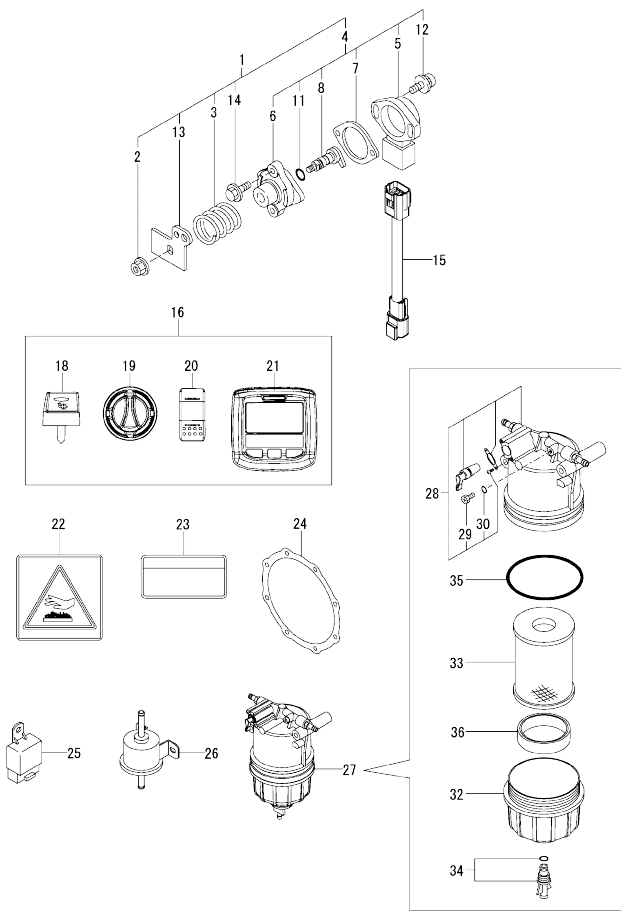
No.	Lev.	Parts No.	Description	Q'ty						I	R
				(A)	(B)	(C)	(D)	(E)	(F)		
1	1	129A00-77930	BRACKET, CONNECTOR	1							
3	1	129928-79700	CLAMP, 150-M8	1							
4	1	129C01-91222	HARNESS, B T4	1							
14	1	129C00-91232	HARNESS, C T4	1							
19	1	129A00-91451	BOOT, CAP TYPE	1							
20	1	129A01-91500	BRACKET, HARNESS	1							
21	1	129C01-91500	BRACKET, HARNESS	1							
22	1	29621-100000	BAND, TR100	1							
23	1	129A00-91600	BRACKET, HARNESS	1							
24	1	26106-080122	BOLT, M8X 12 PLATED	2							
25	1	26106-080122	BOLT, M8X 12 PLATED	2							
26	1	26106-080122	BOLT, M8X 12 PLATED	1							
27	1	26106-080122	BOLT, M8X 12 PLATED	2							
28	1	26106-080122	BOLT, M8X 12 PLATED	2							
29	1	29621-200000	BAND	1							
30	1	129C88-91130	HARNESS, A T4			1					

Fig.24. ACCESSORY

(A)=4TNV86CHT-MYIA
(B)=4TNV86CHT-MYIAD
(C)=

(D)=
(E)=
(F)=

No.	Lev.	Parts No.	Description	Q'ty						I	R
				(A)	(B)	(C)	(D)	(E)	(F)		
1	1	129938-77800	SENSOR ASSY, ACCEL.		1						
2	2	194990-22130	NUT, M6			1					
3	2	119060-61990	SPRING, RETURN			1					
4	2	129054-77800	SENSOR ASSY, ACCEL.		1						
5	3	185100-50070	SENSOR, ACCELERATOR			1					
6	3	129054-77811	SUPPORT, SENSOR			1					
7	3	129054-77820	GASKET, SUPPORT			1					
8	3	129054-77830	SHAFT ASSY, SENSOR			1					
11	3	24311-000070	O-RING, 1AP7.0			1					
12	3	26023-040202	SCREW, M4X20			2					
13	2	129938-77810	LEVER, SENSOR			1					
14	2	26106-060122	BOLT, M6X 12 PLATED			2					
15	1	129C88-91140	HARNESS, APS1			1					
16	1	129A88-91300	PANEL ASSY, W/SWITCH			1					
18	2	129A88-91320	KEY			1					
19	2	129A88-91330	SWITCH, KEY			1					
20	2	129A88-91340	SWITCH, SPEED			1					
21	2	129A88-91410	PANEL ASSY, CONTROL			1					
22	1	114220-07130	LABEL, HOT SURFACE			1					
23	1	114110-07761	LABEL, FUEL CAUTION			1					
24	1	129A00-16600	GASKET, DPF			1					
25	1	172B02-17150	RELAY, CA TYPE C			1					
26	1	129612-52100	PUMP, FUEL FEED			1					
27	1	129A00-55700	FILTER ASSY, FUEL PRE			1					
28	2	129A00-55710	BODY ASSY			1					
29	3	129A00-55751	PLUG, AIR VENT			1					
30	3	129A00-55760	O-RING			1					
32	2	129A00-55720	CUP, CLEAR			1					
33	2	129A00-55730	ELEMENT, FUEL FILTER			1					
34	2	129242-55740	PLUG, DRAIN			1					
35	2	129A00-55740	O-RING			1					
36	2	129A00-55770	FLOAT			1					



N:Old $\frac{100}{100}$ New, Q:Old $\frac{100}{100}$ New, R:Old $\frac{100}{100}$ New, S:Old $\frac{100}{100}$ New, W:Add, Z:Discontinued, F:Interchangeable by set, K:Q'ty Change
Copyright (C) 2021 YANMAR GLOBAL CS CO., LTD. All Rights Reserved.

Parts No. Index

Parts No.	Fig. No.	Ref. No.
114110-07761	24	23
114220-07130	24	22
114270-59010	18	20
		25
119005-12060	5	39
119060-61990	24	3
119131-18320	6	24
	10	3
119160-12060	5	40
119255-44660	15	24
		67
119260-34840	12	43
119609-32040	2	5
119620-01750	3	3
		8
119620-77380	20	3
119620-77461	20	12
	21	12
119620-77471	20	13
	21	13
119620-77490	20	14
	21	14
119620-79200	20	7
	21	6
119620-79210	20	8
	21	7
119620-79220	20	9
	21	8
119620-79230	20	10
	21	9
119620-79250	20	5
	21	4
119620-79260	20	16
119620-79290	20	18
	21	18
119620-79300	20	19
	21	19
119620-79310	20	21
	21	20
119620-79320	20	23
	21	22
119620-79330	20	24
	21	23
119620-79340	20	25
	21	24
119620-79350	20	26
	21	25
119620-79360	20	27
119624-32040	2	6
119626-77220	21	1

Parts No.	Fig. No.	Ref. No.
119626-77450	21	11
119640-01640	3	13
119640-61400	4	56
119746-42820	15	12
119751-77210	20	2
119751-77440	20	11
119761-39450	13	1
119802-03070	4	41
119802-11260	4	4
119802-11270	4	5
119802-25071	9	33
119802-77330	14	27
119802-77340	20	29
	21	27
119803-21200	11	4
119803-77830	4	81
119865-21600	11	14
		19
119888-08110	15	5
119888-21450	11	21
119933-08100	15	1
119933-08110	15	2
119934-01800	2	19
119940-77270	20	28
	21	26
120130-11860	4	84
120270-54410	4	32
120445-44530	15	15
		59
120445-44540	15	16
		60
121023-26071	2	9
121111-21501	11	11
		16
121252-39150	13	3
121256-44600	15	76
121267-44760	14	58
121400-44640	15	34
121400-44650	15	23
121450-42450	14	34
121520-34820	12	41
121520-49160	15	43
121550-23200	11	38
121850-21680	11	10
121855-12060	5	38
122780-59100	17	12
123501-79240	20	4
	21	3
123900-13130	7	59
123907-03100	4	43

Parts No.	Fig. No.	Ref. No.
123907-03110	4	44
123907-03120	4	45
123907-03140	4	46
123912-33050	12	19
124060-01050	1	11
124101-49531	14	69
124160-01751	2	3
	4	37
124160-01910	1	12
		13
124160-11360	4	38
124160-39140	13	2
124223-39900	13	5
124240-01871	2	12
		20
124395-49840	14	21
124450-44510	15	70
124450-44530	15	72
124450-44550	15	75
124450-44560	15	73
124460-11340	4	26
124465-44950	14	36
124766-59050	15	44
124976-34850	1	29
128300-13230	7	1
128401-77440	21	10
129001-01250	1	4
129001-02931	1	30
129004-03010	4	40
129004-11650	4	7
129004-34802	12	40
129004-42040	14	19
129005-11100	4	22
129006-44480	12	27
129008-77800	4	82
129009-11340	4	50
129030-44760	14	61
		67
129044-39610	13	9
129052-77380	21	2
129052-77422	20	6
	21	5
129052-79260	21	16
129052-79270	20	17
	21	17
129054-77800	24	4
129054-77811	24	6
129054-77820	24	7
129054-77830	24	8
129100-01580	2	2

Parts No.	Fig. No.	Ref. No.
129100-01580	3	1
		6
		21
	11	2
129100-11130	4	24
129100-23910	11	41
129100-42051	14	3
129103-49301	14	14
129107-44590	15	21
		64
129120-42351	14	52
129136-77011	19	1
129136-77310	19	2
129136-77520	19	14
129150-01200	1	27
129150-02020	1	6
129150-02450	9	4
129150-02871	1	33
129150-02931	1	23
129150-02941	1	36
129150-03070	4	42
129150-11230	4	8
129150-11280	4	6
129150-11370	4	12
129150-11750	4	10
129150-11810	4	85
129150-14200	9	1
129150-14400	9	2
129150-23601	11	39
129150-23611	11	42
129150-35042	12	15
129150-35111	12	25
129150-35170	12	39
129150-42290	14	17
129150-49811	14	30
129155-49801	14	29
129188-08100	15	4
129202-22300	11	33
129240-79300	20	20
129240-79310	20	22
	21	21
129242-55740	24	34
129247-07002	15	8
129350-49530	14	31
129400-01730	3	11
129400-77490	19	12
129400-77571	19	18
129403-42380	14	54
129410-03990	4	69
129417-33111	12	21

Parts No. Index

Parts No.	Fig. No.	Ref. No.
129C00-14580	9	3
129C00-21590	11	17
129C00-49610	14	43
129C00-49620	14	46
129C00-55600	18	1
129C00-55800	18	3
129C00-57000	17	7
129C00-59030	18	19
129C00-59810	17	16
129C00-59820	17	18
129C00-77820	4	83
129C00-91200	7	39
	8	37
129C00-91232	23	14
129C01-01331	1	28
129C01-03060	4	64
129C01-03130	4	65
129C01-07900	7	58
129C01-07910	4	78
129C01-11360	4	39
129C01-11700	4	13
129C01-12100	5	3
129C01-12150	5	2
129C01-13110	6	2
129C01-13350	6	21
129C01-13360	7	60
129C01-13700	5	10
129C01-13770	6	5
129C01-16400	8	8
129C01-16410	7	11
129C01-16550	7	13
129C01-16680	7	16
	8	13
129C01-16700	7	17
	8	14
129C01-16710	8	15
129C01-16721	7	18
129C01-16730	8	16
129C01-16740	7	19
	8	17
129C01-16750	7	20
129C01-16800	8	18
129C01-16811	7	2
129C01-16820	7	3
129C01-16830	7	4
129C01-17510	7	29
129C01-18011	10	1
129C01-33100	12	20
129C01-39450	13	4
129C01-39610	13	10

Parts No.	Fig. No.	Ref. No.
129C01-44600	15	22
		66
129C01-49010	15	40
		68
129C01-49020	15	41
		69
129C01-91222	23	4
129C01-91500	23	21
129C20-49350	14	10
129C23-49700	14	50
129C26-01890	2	13
129C28-51000	16	1
129C28-53300	17	6
129C32-07920	4	77
129C32-17710	8	42
129C32-42800	15	11
129C32-42810	15	10
129C32-44500	15	17
129C32-44600	15	33
129C32-44910	15	35
129C32-44920	15	36
129C32-44950	15	38
129C32-44960	15	26
129C32-44970	15	27
129C32-44990	15	39
129C32-55650	18	5
129C33-16200	7	9
129C34-21580	11	12
129C35-16000	7	8
129C35-16040	8	5
129C35-16200	8	6
129C35-42011	14	1
129C35-75061	22	1
129C84-12560	5	30
129C84-12570	5	31
129C84-12580	5	29
129C84-12650	5	34
129C88-34870	12	45
129C88-91130	23	30
129C88-91140	24	15
129E00-13620	6	16
129E00-16500	8	10
129E00-16600	7	14
	8	11
129E00-17300	8	24
129E00-17310	7	26
129E00-17350	8	26
129E00-17360	7	27
129E22-17510	8	28
129E22-17560	8	31

Parts No.	Fig. No.	Ref. No.
129E30-12060	4	70
129E45-12500	5	28
129E45-12580	5	32
129F01-13600	6	15
129F01-13630	6	4
129F01-13650	6	22
	7	61
171008-03990	12	29
		33
171008-77450	19	8
171008-77510	19	13
171008-77540	19	15
171008-77650	19	20
171008-77660	19	24
171008-77670	19	25
171008-77750	19	31
171051-01921	1	5
171056-49120	12	38
171353-44760	14	64
172B02-17150	24	25
185100-50070	24	5
194990-22130	24	2
22190-080002	2	14
		21
22190-100002	13	6
22190-120002	14	37
22190-140002	5	13
22190-220002	3	16
22217-180000	9	19
22252-000260	11	34
22276-000060	15	13
22351-030010	11	7
	13	22
22351-060012	4	33
22512-070140	9	7
	11	5
22857-500100	4	58
		59
		60
22857-500160	5	14
23000-022000	13	12
23000-041000	15	45
23000-048000	15	46
23000-060000	4	73
	5	35
	15	47
23000-075000	5	33
23000-090000	5	36
23061-070230	15	74
23080-007000	18	14

Parts No.	Fig. No.	Ref. No.
23080-015000	18	11
		18
23297-080061	6	9
23414-080000	14	22
23414-100000	13	7
23414-120000	6	11
24104-062054	11	23
24105-060064	9	32
24311-000070	24	11
24311-000120	4	62
24311-000320	2	7
	4	63
24316-000160	13	13
24316-240100	12	44
24321-000600	12	36
24321-000850	2	10
25152-003900	14	55
26013-080222	5	37
26014-060302	14	59
26023-040202	24	12
26106-060102	9	9
26106-060122	6	12
	13	14
	14	56
	24	14
26106-060162	4	74
	7	36
	8	41
	15	29
26106-060202	5	25
26106-060322	19	29
26106-060402	5	26
	14	65
	19	30
26106-060502	14	62
		68
26106-060902	5	27
26106-080122	13	8
	14	23
	23	24
		25
		26
		27
		28
26106-080142	2	15
	7	21
	8	19
	9	10
26106-080162	2	8
		22

Parts No. Index

Parts No.	Fig. No.	Ref. No.	
26106-080162	3	17	
	4	76	
		79	
	12	46	
	14	24	
		51	
	15	30	
		48	
		49	
		50	
	26106-080202	7	37
			41
			42
			43
			44
		45	
		35	
		43	
12		37	
15		51	
		52	
		6	
26106-080222		11	24
		14	33
			33
26106-080252	3	18	
	4	34	
		80	
	6	29	
	7	46	
	15	53	
		54	
	17	11	
	18	7	
	26106-080282	14	71
			71
	26106-080302	7	47
		16	8
		18	4
	26106-080352	2	16
		23	
3		26	
	4	35	
26106-080402	2	24	
	9	27	
26106-080452	3	19	
	9	17	
	14	25	
26106-080502	3	20	
	4	36	
	5	6	
		18	

Parts No.	Fig. No.	Ref. No.
26106-080502	6	20
26106-080552	12	17
26106-080602	2	25
	14	26
26106-080652	14	72
26106-080752	5	19
26106-080852	2	26
26106-100202	2	11
	7	48
		49
	8	39
	15	3
		6
26106-100222	8	20
	15	55
26106-100302	15	7
26106-120252	19	32
26206-100252	3	4
		9
26206-100302	3	5
		10
26216-060202	5	4
26216-080352	5	15
26216-081052	5	20
26226-080182	4	11
26306-080002	5	21
	6	25
		30
		34
	7	22
		50
		51
		52
	8	21
		40
	10	4
	15	56
		57
26306-100002	7	53
		54
	20	30
	21	28
26366-060002	17	20
26366-100002	15	31
26450-060162	3	28
	4	61
	9	12
26450-060252	12	14
26776-180002	9	20
27241-120000	1	26

Parts No.	Fig. No.	Ref. No.
27241-300000	1	10
27241-400000	4	21
27310-080001	4	28
29621-100000	23	22
29621-200000	23	29
720445-44200	15	14
		58
729402-23100	11	35
X2114255110	19	5
X2114555500	19	21
X2114955020	19	22
X2130350900	19	4
X2240410100	19	23

Parts No.	Fig. No.	Ref. No.
-----------	----------	----------