

0CV10-M76300EN

# PREFACE

1. This Parts Catalog carries all parts incorporated in YANMAR Model 3TNE74 - AK engine manufactured since June, 2000.
2. Each illustration corresponds to the parts list on the following page.
3. When ordering parts, clearly write down the engine model and serial number, as well as the name and number of each part in your order sheet. This will help insure reliable delivery of the parts you have ordered.

## Directions for the Parts Catalog.

1. This Parts Catalog shows both standard and optional parts.
2. Parts may change without prior notice.
3. The following is an example of the Parts Catalog format.

REF.	LEV.	PARTS NO.	DESCRIPTION	Q'TY						I	R
				(A)	(B)	(C)	(D)	(E)	(F)		
1	1	729595-51390	FUEL INJECTION PUMP	1	1	1	1	1			1
1-1	1	729595-51391	FUEL INJECTION PUMP	1	1	1	1	1		N	1
		(A=E00185) (B=E00200)									
3	2	26022-060162	SCREW M 6X 16	9	9	9	9	9			
3-1	2	26022-060162	SCREW M 6X 16	4	4	4	4	4		K	
		(A=E00156) (B=E00156) (C=E00156) (D=E00156) (E=E00156)									
4	2	129470-51040	CAMSHAFT	1	1	1	1	1			
5	2	122710-51050	BEARING, ROLLER	2	2	2	2	2			
6	2	129470-51060	RETAINER	1	1	1	1	1			

Remarks
(1) BOOST COMPEMSATOR TYPE. OPTIONAL PART, TO E00155,(4JH-DT, 4JH-DTZ

### ① Ref. No.

The Ref. No. listed may not be in accordance with the illustration Ref. No.

(Ex.) Illustration No.

List Ref No.

1 1 (Before change) → 1-1 (After change)

For interchangeable symbols N, R and K, illustrations for new parts may be abbreviated.

### ② Lev. (Level)

Level indication

The numbers below indicate the level of relativity towards the main part.

1 ---- Main parts (Assembly parts)

2 ---- Sub component included in " 1 ".

3 ---- Sub component included in " 2 ".

Note) Parts that are not for sale are partially illustrated but not listed.

### ③ Interchangeability Symbol

When a part change takes place, one of the following interchangeability symbols is indicated beside the part.

Symbol	Interchangeability	Contents note
N	Old $\begin{matrix} \leftarrow \text{Yes} \\ \text{No} \rightarrow \end{matrix}$ New	New Part is interchangeable for Old Part but Old Part is not interchangeable for New Part.
Q	Old $\begin{matrix} \leftarrow \text{No} \\ \text{Yes} \rightarrow \end{matrix}$ New	New Part is not interchangeable for Old Part but Old Part is interchangeable for New Part.
R	Old $\begin{matrix} \leftarrow \text{Yes} \\ \text{Yes} \rightarrow \end{matrix}$ New	New/ Old Parts are both interchangeable.
S	Old $\begin{matrix} \leftarrow \text{No} \\ \text{No} \rightarrow \end{matrix}$ New	New/ Old Parts are both not interchangeable.
W		Part newly added.
Z		Part discontinued.
F		Not interchangeable by a single part but interchangeable together with related parts.
K		Changes only for used parts quantities.

### ④ Effective Machine No.

When a part changes, the effective Machine No. will be indicated in the (A)-(F) column.

Product Symbol	Product No.	Product Symbol	Product No.
C	Clutch No. Compressor No.	F	Machine No. (Agricultural Equip.)
D	Drive No.	M	Machine No.
E	Engine No.		

Note 1) A date may follow the symbol. (Ex.) 1996.01

Note 2) "XXXXX" and "ZZZZZ" are for parts that could not be predicted or for engine models that could not be identified.

Note 3) (A=E00185) is the E (Engine Serial Number) for the column (A) model (in this case 4JH-DT) after the parts design change.

### ⑤ Remarks

Figures or alphabets (symbols) are entered in the remarks column.

The comments (remarks) on parts that are indicated at the bottom of the illustration are the same symbols as those stated above.

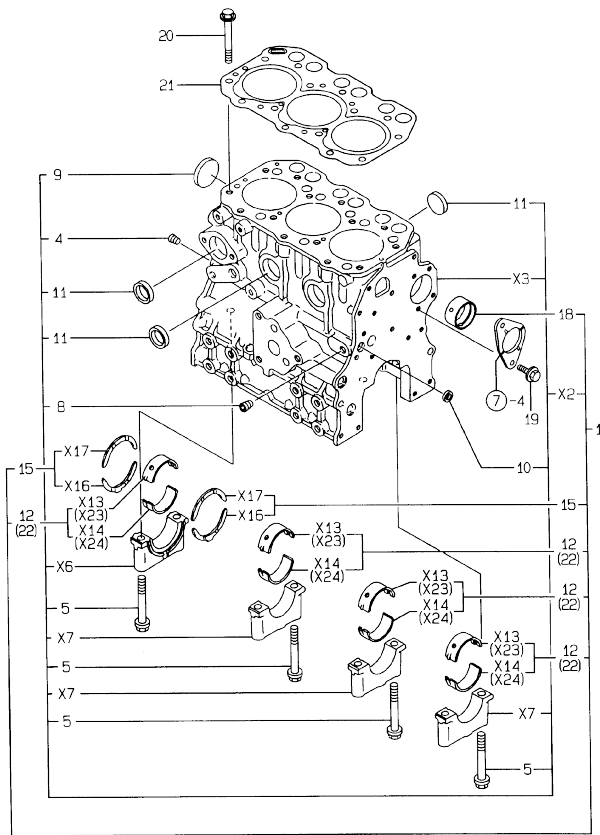
## Contents

Fig. No.	Fig. Name	Fig. No.	Fig. Name
3TNE74-AK			
1.	CYLINDER BLOCK		
2.	GEAR HOUSING		
3.	FLYWHEEL HOUSING & OIL SUMP		
4.	CYLINDER HEAD & BONNET		
5.	SUCTION MANIFOLD & AIR CLEANER		
6.	EXHAUST MANIFOLD		
7.	CAMSHAFT & DRIVING GEAR		
8.	CRANKSHAFT & PISTON		
9.	LUB.OIL SYSTEM		
10.	COOLING WATER SYSTEM		
11.	FUEL INJECTION PUMP		
12.	GOVERNOR		
13.	FUEL INJECTION VALVE		
14.	FUEL LINE		
15.	STARTING MOTOR		
16.	GENERATOR		
17.	GASKET SET		

OCV10-M76300

Fig.1. CYLINDER BLOCK

1. CYLINDER BLOCK



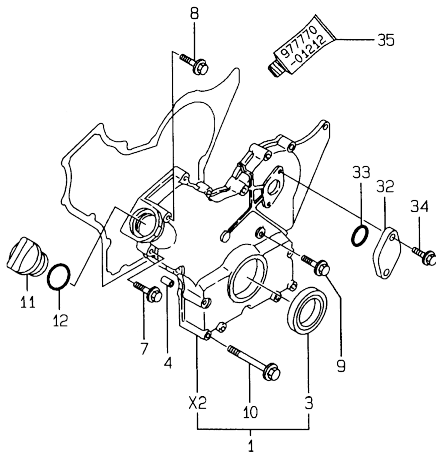
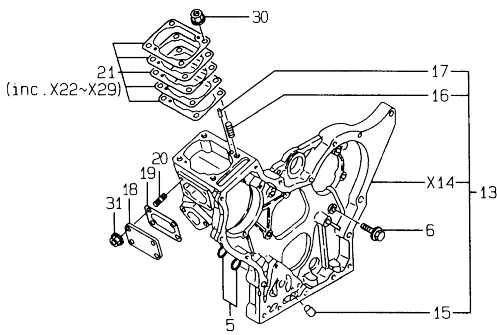
Remarks  
(1) UNDER-SIZE (U.S=0.25) PART.

No.	Lev.	Parts No.	Description	Q'ty						I	R
				(A)	(B)	(C)	(D)	(E)	(F)		
1	1	719623-01560	BLOCK ASSY, CYLINDER	1							
4	3	119600-01050	PLUG, PT1/4	1							
5	3	119620-02020	BOLT, METAL CAP	8							
8	3	23876-010000	PLUG, R01	1							
9	3	119623-01250	PLUG, 45	1							
10	3	27241-120000	PLUG, 12	1							
11	3	27241-300000	PLUG 30	6							
12	2	719620-02800	BEARING, MAIN	4							
15	2	719620-02930	BEARING, THRUST	2							
18	2	119624-02410	BUSH	1							
19	1	26106-060122	BOLT, M6X 12 PLATED	2							
20	1	119620-01200	BOLT, HEAD	14							
21	1	119623-01340	GASKET, HEAD	1							
22	1	719620-02870	BEARING, 0.25 US	4							1

N:Old  $\frac{100}{100}$  New, Q:Old  $\frac{100}{100}$  New, R:Old  $\frac{100}{100}$  New, S:Old  $\frac{100}{100}$  New, W:Add, Z:Discontinued, F:Interchangeable by set, K:Qty Change  
Copyright (C) YANMAR CO., LTD. All Rights Reserved.

Fig.2. GEAR HOUSING

2. GEAR HOUSING



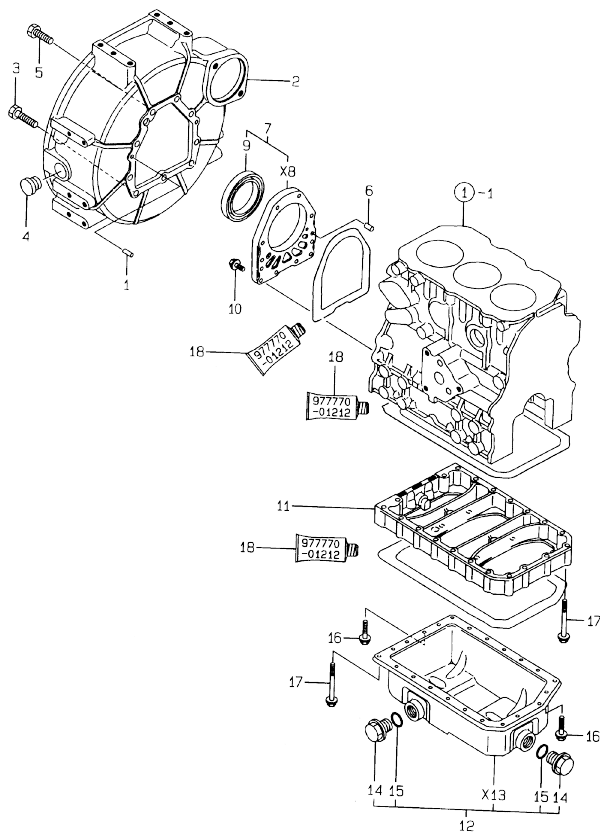
No.	Lev.	Parts No.	Description	Q'ty						I	R
				(A)	(B)	(C)	(D)	(E)	(F)		
1	1	119610-01590	COVER ASSY,GEAR CASE	1							
3	2	119620-01800	SEAL, OIL	1							
4	1	119660-01911	PIPE, KNOCK	4							
5	1	119624-32040	O-RING, P12.0	2							
6	1	26106-060162	BOLT, M6X 16 PLATED	7							
7	1	26106-060302	BOLT, M6X 30 PLATED	8							
8	1	26106-060602	BOLT, M6X 60 PLATED	1							
9	1	26106-060602	BOLT, M6X 60 PLATED	3							
10	1	26106-060802	BOLT, M6X 80 PLATED	6							
11	1	124160-01751	COVER, FILLER	1							
12	1	24311-000320	O-RING, 1AP32.0	1							
13	1	119610-01490	CASE ASSY, GEAR	1							
15	2	119660-01510	PLUG, 10X14	1							
16	2	121450-01560	STUD, M8X22	4							
17	2	22351-040010	PIN, SPRING 4.0X10	2							
18	1	119660-01551	COVER	1							
19	1	119660-01562	GASKET	1							
20	1	119660-01570	STUD, M6X12	4							
21	1	119623-01950	SHIM SET, ADJUSTING	1							
30	1	194990-22050	NUT, M8	4							
31	1	26366-060002	NUT, M6	4							
32	1	121023-01550	COVER	1							
33	1	24341-000240	O-RING, 1AS24.0	1							
34	1	26106-060162	BOLT, M6X 16 PLATED	2							
35	1	97770-01212	GASKET, LIQUID	1							1

Remarks  
(1) OPTIONAL PART.

OCV10-M76300

Fig.3. FLYWHEEL HOUSING & OIL SUMP

3.FLYWHEEL HOUSING & OIL SUMP



x-MARK PARTS: NOT SOLD SEPARATELY.

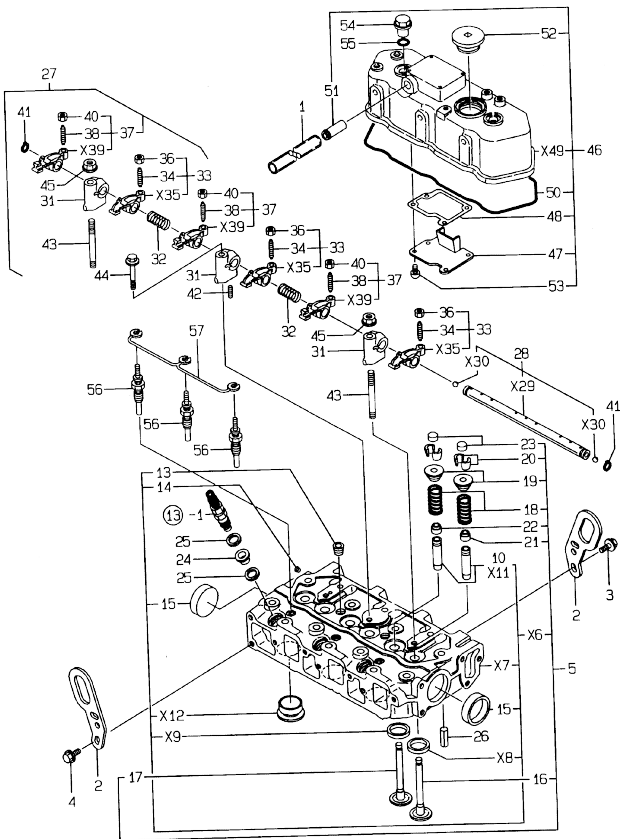
Remarks  
(1) OPTIONAL PART.

No.	Lev.	Parts No.	Description	Q'ty						I	R	
				(A)	(B)	(C)	(D)	(E)	(F)			
1	1	129100-01580	PIN, M8X16		2							
2	1	119280-01601	HOUSING, FLYWHEEL	1								
3	1	121120-01620	BOLT, M10X28	3								
4	1	119620-01750	CAP	1								
5	1	26206-100252	BOLT, M10X 25 PLATED	6								
6	1	119620-01620	PIN, M6X10	2								
7	1	119660-01640	CASE ASSY, OIL SEAL	1								
9	2	124085-02220	SEAL, OIL	1								
10	1	26106-060222	BOLT, M6X 22 PLATED	10								
11	1	119600-01722	SPACER, OIL SUMP	1								
12	1	119600-01770	SUMP ASSY, OIL	1								
14	2	171301-01640	PLUG, 22	2								
15	2	24341-000250	O-RING, 1AS25.0	2								
16	1	26106-060122	BOLT, M6X 12 PLATED	3								
17	1	26106-060452	BOLT, M6X 45 PLATED	20								
18	1	977770-01212	GASKET, LIQUID	1								1

N:Old  $\frac{100}{100}$  New, Q:Old  $\frac{100}{100}$  New, R:Old  $\frac{100}{100}$  New, S:Old  $\frac{100}{100}$  New, W:Add, Z:Discontinued, F:Interchangeable by set, K:Q'ty Change  
Copyright (C) YANMAR CO., LTD. All Rights Reserved.

Fig.4. CYLINDER HEAD & BONNET

4. CYLINDER HEAD & BONNET



x-MARK PARTS: NOT SOLD SEPARATELY.

Remarks  
(1) REPAIR PART.

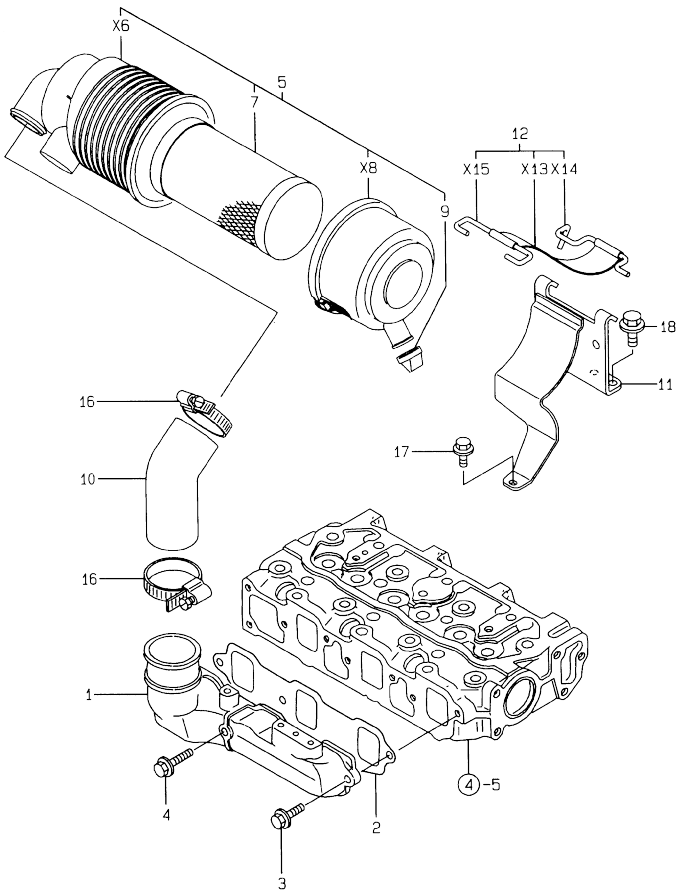
No.	Lev.	Parts No.	Description	Q'ty						I	R
				(A)	(B)	(C)	(D)	(E)	(F)		
1	1	23065-120500	PIPE, 12X 500	1							
2	1	119260-07900	LIFTER	2							
3	1	26106-080142	BOLT, M8X 14 PLATED	1							
4	1	26106-080142	BOLT, M8X 14 PLATED	2							
5	1	719623-11710	HEAD ASSY, CYLINDER	1							1
10	3	119620-11801	GUIDE, VALVE	6							
13	3	23876-020000	PLUG, R02	2							
14	3	27221-050080	PLUG, 5X 8	1							
15	3	27241-400000	PLUG, 40	2							
16	2	119623-11100	VALVE, INTAKE	3							
17	2	119620-11110	VALVE, EXHAUST	3							
18	2	119620-11120	SPRING, VALVE	6							
19	2	119620-11180	RETAINER, SPRING	6							
20	2	27310-070001	COTTER, 7	6							
21	2	124160-11340	SEAL, VALVE STEM	3							
22	2	124950-11340	SEAL, VALVE STEM	3							
23	2	104211-11370	CAP, VALVE	6							
24	1	119600-11450	PROTECTOR, NOZZLE	3							
25	1	119600-11460	GASKET, NOZZLE	6							
26	1	22351-060012	PIN, SPRING 6.0X12	2							
27	1	119620-11200	SUPPORT ASSY, ARM	1							
28	2	119620-11240	SHAFT ASSY, ROCKER	1							
31	2	119620-11260	SUPPORT, ROCKER ARM	2							
32	2	119620-11280	SPRING	3							
33	2	719620-11650	ARM ASSY, ROCKER	3							
34	3	105010-11230	SCREW, VALVE ADJUST	3							
36	3	26856-060002	NUT, M6	3							
37	2	719620-11660	ARM ASSY, ROCKER	3							
38	3	105010-11230	SCREW, VALVE ADJUST	3							
40	3	26856-060002	NUT, M6	3							
41	2	22242-000120	RING, 12	2							
42	2	26979-050162	SCREW, M5X16	1							
43	1	119620-11350	STUD	2							
44	1	26106-080452	BOLT, M8X 45 PLATED	1							
45	1	26366-080002	NUT, M8	2							
46	1	119657-11351	BONNET ASSY, HEAD	1							
47	2	119620-03020	PLATE, SHELTER	1							
48	2	119620-03031	GASKET	1							
50	2	119620-11310	GASKET, BONNET	1							
51	2	118400-03060	JOINT, BREATHER	1							
52	2	119807-11770	PLUG	1							
53	2	22857-500100	SCREW, 5X10	4							
54	1	124160-11360	KNOB	2							
55	1	24311-000120	O-RING, 1AP12.0	2							
56	1	129795-77800	PLUG, GLOW	3							
57	1	119620-77820	CONNECTOR, GLOW PLUG	1							

N:Old  $\frac{100}{100}$  New, Q:Old  $\frac{100}{100}$  New, R:Old  $\frac{100}{100}$  New, S:Old  $\frac{100}{100}$  New, W:Add, Z:Discontinued, F:Interchangeable by set, K:Q'ty Change  
Copyright (C) YANMAR CO., LTD. All Rights Reserved.



Fig.5. SUCTION MANIFOLD & AIR CLEANER

5. SUCTION MANIFOLD & AIR CLEANER



x-MARK PARTS: NOT SOLD SEPARATELY.

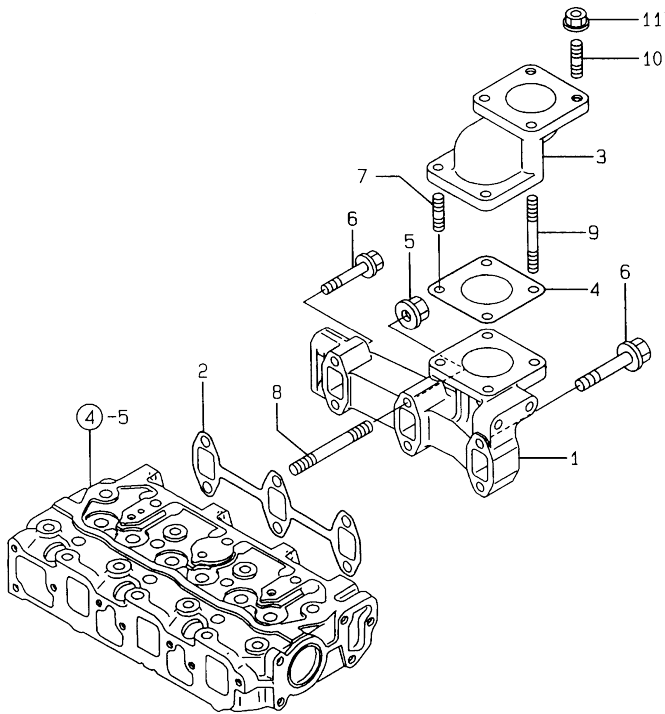
No.	Lev.	Parts No.	Description	Q'ty						I	R
				(A)	(B)	(C)	(D)	(E)	(F)		
1	1	119660-12101	MANIFOLD, AIR INTAKE	1							
2	1	119660-12111	GASKET, MANIFOLD	1							
3	1	26106-060162	BOLT, M6X 16 PLATED	2							
4	1	26106-060402	BOLT, M6X 40 PLATED	1							
5	1	119653-12500	CLEANER ASSY, AIR	1							
7	2	119655-12560	ELEMENT	1							
9	2	119808-12540	VALVE, UNLOADER	1							
10	1	119653-12550	PIPE, AIR INTAKE	1							
11	1	119789-12600	SUPPORT, AIR CLEANER	1							
12	1	119865-12600	BAND ASSY, CLEANER	1							
16	1	23000-054000	CLAMP, 54	2							
17	1	26106-060122	BOLT, M6X 12 PLATED	1							
18	1	26106-080142	BOLT, M8X 14 PLATED	2							

N:Old  $\frac{100}{100}$  New, Q:Old  $\frac{100}{100}$  New, R:Old  $\frac{100}{100}$  New, S:Old  $\frac{100}{100}$  New, W:Add, Z:Discontinued, F:Interchangeable by set, K:Q'ty Change  
 Copyright (C) YANMAR CO., LTD. All Rights Reserved.

OCV10-M76300

Fig.6. EXHAUST MANIFOLD

6. EXHAUST MANIFOLD



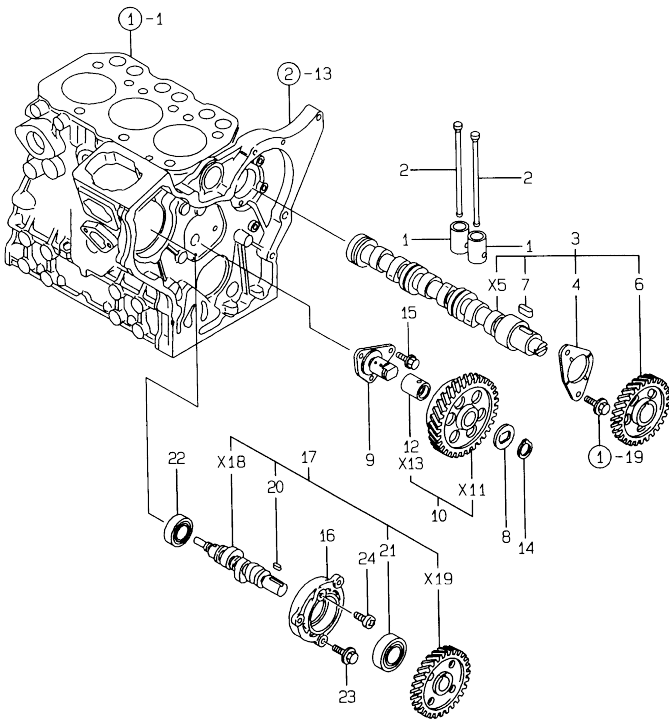
No.	Lev.	Parts No.	Description	Q'ty						I	R
				(A)	(B)	(C)	(D)	(E)	(F)		
1	1	119631-13101	MANIFOLD, EXHAUST	1							
2	1	119620-13110	GASKET	1							
3	1	119840-13150	PIPE	1							
4	1	121000-13201	GASKET, SILENCER	1							
5	1	26366-080002	NUT, M8	2							
6	1	26106-080402	BOLT, M8X 40 PLATED	4							
7	1	119131-18320	STUD, M8X22	2							
8	1	26216-080552	STUD, M8X 55	2							
9	1	119823-13600	STUD, M8X70	2							
10	1	119131-18320	STUD, M8X22	2							
11	1	26366-080002	NUT, M8	2							

N:Old  $\frac{100}{100}$  New, Q:Old  $\frac{100}{100}$  New, R:Old  $\frac{100}{100}$  New, S:Old  $\frac{100}{100}$  New, W:Add, Z:Discontinued, F:Interchangeable by set, K:Q'ty Change  
 Copyright (C) YANMAR CO., LTD. All Rights Reserved.

OCV10-M76300

Fig.7. CAMSHAFT & DRIVING GEAR

7. CAMSHAFT & DRIVING GEAR



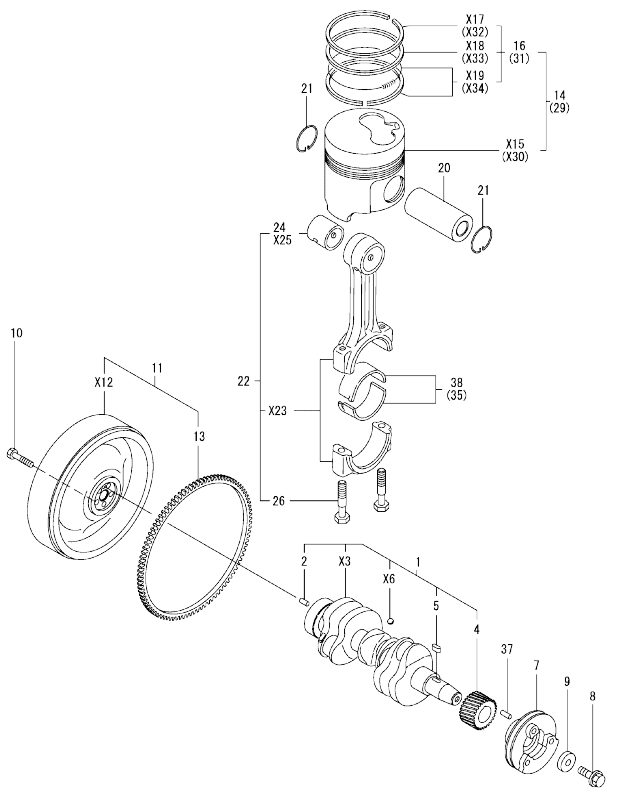
No.	Lev.	Parts No.	Description	Q'ty						I	R
				(A)	(B)	(C)	(D)	(E)	(F)		
1	1	119620-14200	TAPPET		6						
2	1	119620-14401	ROD, PUSH		6						
3	1	119629-14580	CAMSHAFT ASSY		1						
4	2	119620-02450	BEARING, THRUST		1						
6	2	119620-14100	GEAR, CAMSHAFT		1						
7	2	22512-040120	KEY, 4X 12		1						
8	1	119660-25022	RETAINER		1						
9	1	119660-25052	SHAFT, IDLE		1						
10	1	119620-25102	GEAR ASSY, IDLE		1						
12	2	119620-25912	BUSH		1						1
14	1	22242-000200	RING, 20		1						
15	1	26106-060122	BOLT, M6X 12 PLATED		3						
16	1	119660-01821	BEARING, FUEL CAM		1						
17	1	719660-14590	CAMSHAFT		1						
20	2	22512-040120	KEY, 4X 12		1						
21	2	24102-063034	BEARING, BALL 6303U		1						
22	1	24101-062034	BEARING, BALL 6203		1						
23	1	26106-060162	BOLT, M6X 16 PLATED		3						
24	1	26587-080102	SCREW, M8X10		1						

Remarks  
(1) REPAIR PART.

N:Old  $\frac{New}{Old}$  New, Q:Old  $\frac{New}{Old}$  New, R:Old  $\frac{New}{Old}$  New, S:Old  $\frac{New}{Old}$  New, W:Add, Z:Discontinued, F:Interchangeable by set, K:Q'ty Change  
Copyright (C) YANMAR CO., LTD. All Rights Reserved.

OCV10-M76300

Fig.8. CRANKSHAFT & PISTON



X-MARK PARTS: NOT SOLD SEPARATELY.

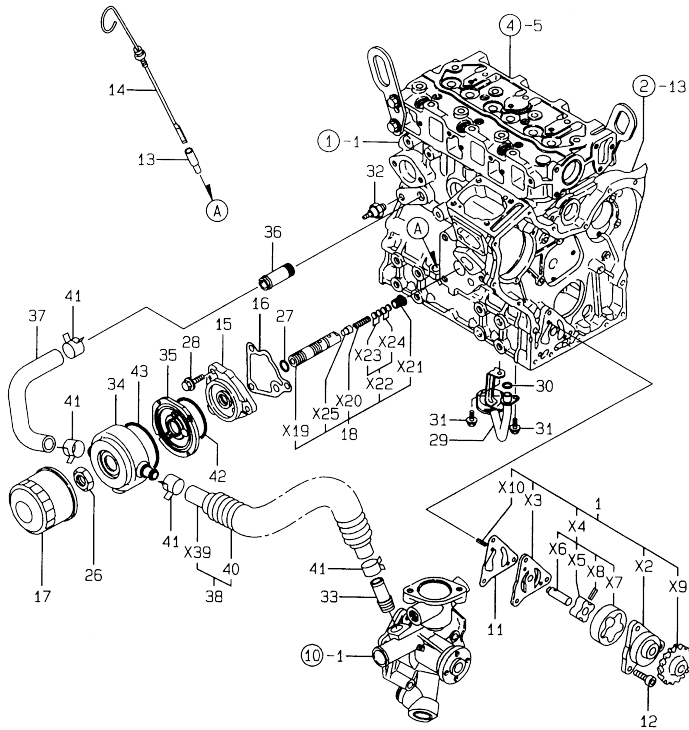
Remarks

- (1) REPAIR PART.
- (2) OVER-SIZE(O.S=0.25)PART.
- (3) UNDER-SIZE(U.S=0.25)PART.

No.	Lev.	Parts No.	Description	Q'ty						I	R
				(A)	(B)	(C)	(D)	(E)	(F)		
1	1	119623-21700	CRANKSHAFT ASSY	1							
2	2	129100-01580	PIN, M8X16	1							
4	2	119644-21200	GEAR, CRANKSHAFT	1							
5	2	22512-040120	KEY, 4X 12	1							
7	1	119653-21660	V-PULLEY	1							
8	1	119621-21680	BOLT, FLANGE 12X1.25	1							
9	1	119620-21941	WASHER	1							
10	1	121111-21501	BOLT, FLYWHEEL	5							
11	1	119688-21591	FLYWHEEL ASSY	1							
13	2	119865-21600	GEAR, RING	1							
14	1	119623-22080	PISTON ASSY	3							
16	2	119623-22500	RING SET, PISTON	3							
20	1	114399-22300	PIN, PISTON D=21	3							
21	1	22252-000210	RING, 21	6							
22	1	719620-23100	ROD ASSY, CONNECTING	3							
24	2	119620-23910	BEARING, PISTON PIN	3							1
26	2	105225-23200	BOLT, CONNECTING ROD	6							
29	1	119623-22900	PISTON ASSY, 0.25 OS	3							2
31	2	119623-22950	RING SET, 0.25 OS	3							2
35	1	719620-23610	BEARING ASSY, 0.25	3							3
37	1	22351-030012	PIN, SPRING 3.0X12	1							
38	1	719620-23600	BEARING, CRANK PIN	3							

Fig.9. LUB.OIL SYSTEM

9.LUB.OIL SYSTEM

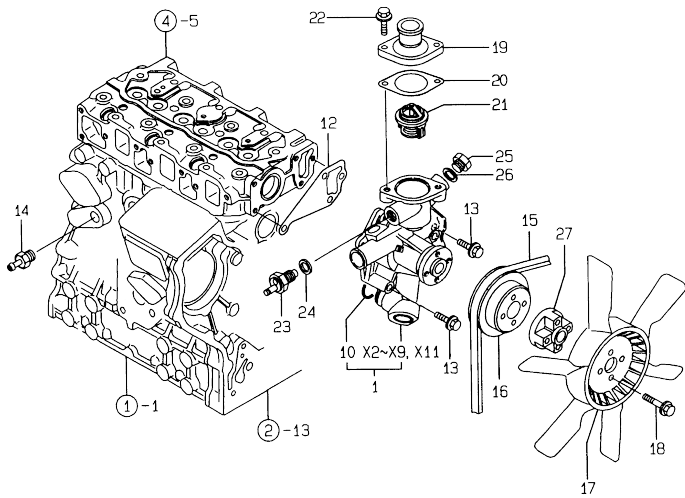


No.	Lev.	Parts No.	Description	Q'ty						I	R
				(A)	(B)	(C)	(D)	(E)	(F)		
1	1	119660-32001	PUMP ASSY, OIL	1							
11	1	119660-32020	GASKET, PUMP	1							
12	1	26450-060202	BOLT, M6X 20	3							
13	1	121520-34810	GUIDE, DIPSTICK	1							
14	1	119623-34820	DIPSTICK, OIL	1							
15	1	119660-35102	BRACKET, FILTER	1							
16	1	119660-35113	GASKET	1							
17	1	119305-35150	FILTER, OIL	1							
18	1	129120-35301	VALVE ASSY,OIL PRESS	1							
26	1	129150-35350	NUT	1							
27	1	24311-000160	O-RING, 1AP16.0	1							
28	1	26106-080202	BOLT, M8X 20 PLATED	3							
29	1	119600-35091	PIPE ASSY, OIL INLET	1							
30	1	119209-35030	O-RING, P11	1							
31	1	26106-060102	BOLT, M6X 10 PLATED	2							
32	1	114250-39450	SWITCH, 0.5KG	1							
33	1	121851-11970	JOINT, PIPE	1							
34	1	119642-33030	COOLER, OIL	1							
35	1	119642-33100	BRACKET, COOLER	1							
36	1	129122-44480	JOINT	1							
37	1	119642-49030	PIPE, WATER	1							
38	1	119642-49050	PIPE, WATER	1							
40	2	119642-49090	TUBE, CORRUGATED	1							
41	1	23000-022000	CLAMP, 22	4							
42	1	24321-000600	O-RING, 1AG60.0	1							
43	1	24321-000700	O-RING, 1AG70.0	1							

N:Old  $\frac{100}{100}$  New, Q:Old  $\frac{100}{100}$  New, R:Old  $\frac{100}{100}$  New, S:Old  $\frac{100}{100}$  New, W:Add, Z:Discontinued, F:Interchangeable by set, K:Q'ty Change  
 Copyright (C) YANMAR CO., LTD. All Rights Reserved.

Fig.10. COOLING WATER SYSTEM

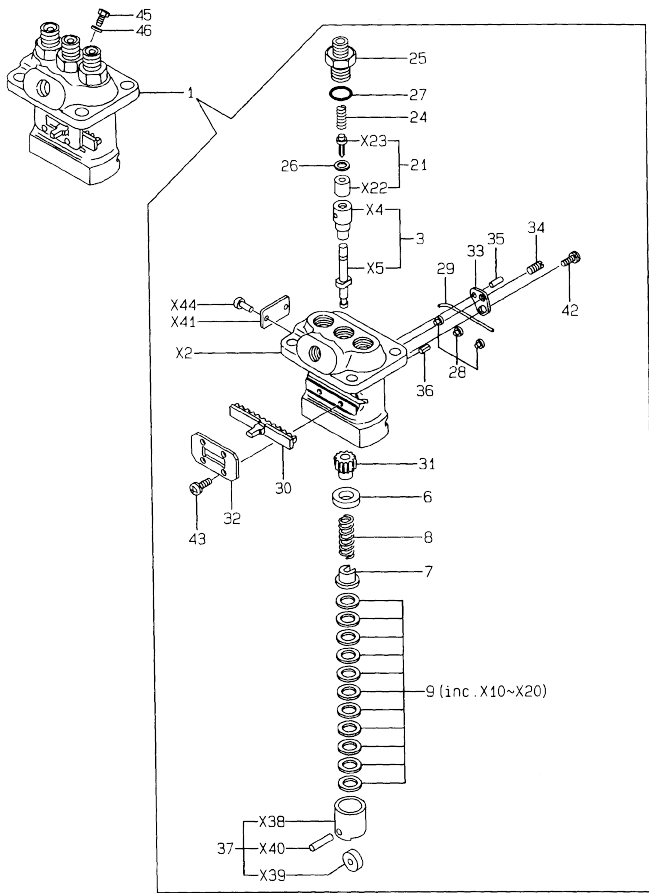
10.COOLING WATER SYSTEM



No.	Lev.	Parts No.	Description	Q'ty						I	R
				(A)	(B)	(C)	(D)	(E)	(F)		
1	1	119642-42000	PUMP ASSY, WATER	1							
10	2	119609-42320	O-RING	1							
12	1	119620-42021	GASKET, WATER PUMP	1							
13	1	26106-080452	BOLT, M8X 45 PLATED	4							
14	1	121550-49111	JOINT, PT1/4	1							
15	1	119656-42291	V-BELT, 36	1							
16	1	119660-42350	V-PULLEY	1							
17	1	124700-44740	FAN, COOLING 5X310	1							
18	1	26106-060302	BOLT, M6X 30 PLATED	4							
19	1	129350-49530	COVER, THERMOSTAT	1							
20	1	129350-49541	GASKET	1							
21	1	129350-49800	THERMOSTAT, 71	1							
22	1	26106-080202	BOLT, M8X 20 PLATED	2							
23	1	121250-44901	SWITCH, 110	1							
24	1	124465-44950	GASKET, 16	1							
25	1	121450-42450	PLUG, M16	1							
26	1	124465-44950	GASKET, 16	1							
27	1	121267-44760	SPACER	1							

Fig.11. FUEL INJECTION PUMP

11.FUEL INJECTION PUMP



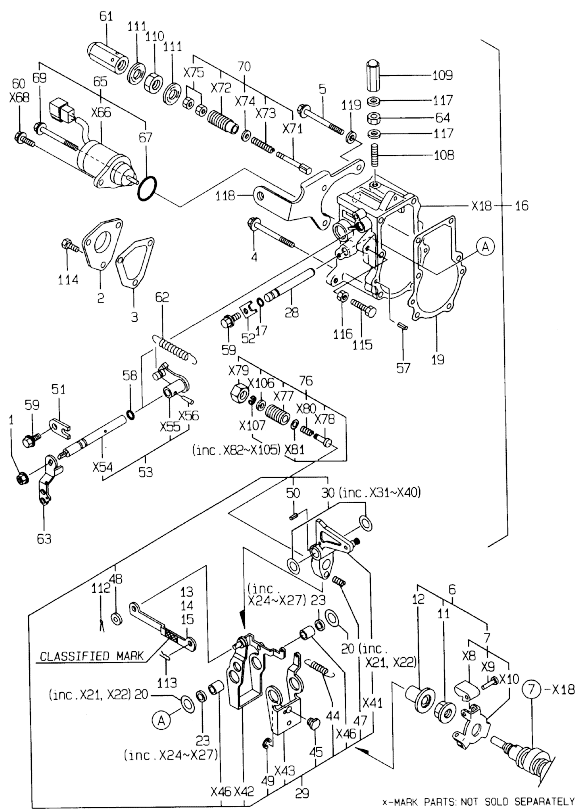
x-MARK PARTS: NOT SOLD SEPARATELY.

No.	Lev.	Parts No.	Description	Q'ty					
				(A)	(B)	(C)	(D)	(E)	(F)
1	1	719624-51100	PUMP ASSY, INJECTION	1					
3	2	119620-51101	PLUNGER ASSY	3					
6	2	119620-51170	RETAINER, SPRING A	3					
7	2	119620-51180	RETAINER, SPRING B	3					
8	2	119620-51190	SPRING, PLUNGER	3					
9	2	119620-51250	SHIM SET	3					
21	2	119620-51300	VALVE ASSY, DELIVERY	3					
24	2	105546-51330	SPRING, DELIVERY	3					
25	2	119620-51340	HOLDER, DELIVERY	3					
26	2	119620-51350	GASKET	3					
27	2	119620-51370	O-RING	3					
28	2	119620-51450	PIECE	3					
29	2	119620-51461	PIN	1					
30	2	119660-51500	RACK, CONTROL	1					
31	2	119620-51510	PINION	3					
32	2	119660-51530	RETAINER, RACK	1					
33	2	119620-51650	PLATE	2					
34	2	119620-51660	SCREW	2					
35	2	119620-51670	PIN	2					
36	2	119620-51680	PIN	1					
37	2	119620-51700	TAPPET ASSY	3					
42	2	26022-040082	SCREW, M4X 8	4					
43	2	26033-040102	SCREW, M4X10	2					
45	1	119266-51900	BOLT	1					
46	1	22190-080002	WASHER, SEAL 6	1					

N:Old  $\frac{New}{Old}$  New, Q:Old  $\frac{New}{Old}$  New, R:Old  $\frac{New}{Old}$  New, S:Old  $\frac{New}{Old}$  New, W:Add, Z:Discontinued, F:Interchangeable by set, K:Q'ty Change  
 Copyright (C) YANMAR CO., LTD. All Rights Reserved.

Fig.12. GOVERNOR

12. GOVERNOR



No.	Lev.	Parts No.	Description	Q'ty						I	R
				(A)	(B)	(C)	(D)	(E)	(F)		
1	1	194990-22050	NUT, M8								
2	1	119660-61060	COVER, GOVERNOR CASE	1							
3	1	119660-61071	GASKET	1							
4	1	26106-060702	BOLT, M6X 70 PLATED	2							
5	1	26106-060752	BOLT, M6X 75 PLATED	3							
6	1	119600-61100	DRIVE ASSY	1							
7	2	119600-61200	WEIGHT ASSY, GOVERNOR	1							
11	2	119660-61300	NUT	1							
12	2	119660-61341	SLEEVE	1							
13	1	119660-61121	LINK, NO MARK	1							1
14	1	119660-61140	LINK, MARK :2	1							1
15	1	119660-61150	LINK, MARK :3	1							1
16	1	119288-61200	CASE ASSY, GOVERNOR	1							
17	2	129155-51280	O-RING, S6	1							
19	2	119660-61052	GASKET	1							
20	2	119660-61460	SHIM SET	1							
23	2	129155-61480	SPACER ASSY	2							
28	2	119660-61590	SHAFT	1							
29	2	119288-61510	LEVER ASSY, GOVERNOR	1							
30	3	174307-51700	SHIM SET	2							
44	3	119232-61540	SPRING	1							
45	3	119600-61541	SHIFTER	1							
47	3	119600-61650	SPRING, STARTING	1							
48	3	22117-040000	WASHER, 4	1							
49	3	22272-000040	RING, E- 4	1							
50	3	22351-030014	PIN, SPRING 3.0X14	1							
51	2	119600-61900	RETAINER, SHAFT	1							
52	2	119660-61901	RETAINER, SHAFT	1							
53	2	119285-66080	SHAFT ASSY	1							
57	2	22351-040010	PIN, SPRING 4.0X10	2							
58	2	24341-000070	O-RING, 1AS7.0	1							
59	2	26106-060102	BOLT, M6X 10 PLATED	2							
60	1	121465-59950	BOLT, M6X16	1							
61	1	129100-61930	NUT, CAP	1							
62	1	119260-66010	SPRING, REGULATOR	1							
63	1	119621-66051	LEVER, REGULATOR	1							
64	1	124550-66370	NUT, M6	1							
65	1	119653-66500	STOPPER ASSY	1							
67	2	24341-000280	O-RING, 1AS28.0	1							
69	2	26106-060952	BOLT, M6X 95 PLATED	1							
70	1	119600-66530	LIMITER ASSY, FUEL	1							
76	1	119260-66720	ANGLEICH ASSY	1							
108	1	121575-66830	SCREW	1							
109	1	119600-66840	NUT, CAP	1							
110	1	26776-120002	NUT, LOCK M12	1							
111	1	22190-120002	WASHER, SEAL 12	2							
112	1	22360-040000	PIN, SNAP 4	1							
113	1	22360-060000	PIN, SNAP 6	1							
114	1	26116-050102	BOLT, M5X 10 PLATED	3							
115	1	26116-060304	BOLT, M6X 30 PLATED	1							
116	1	26756-060002	NUT, LOCK M6	1							

Remarks

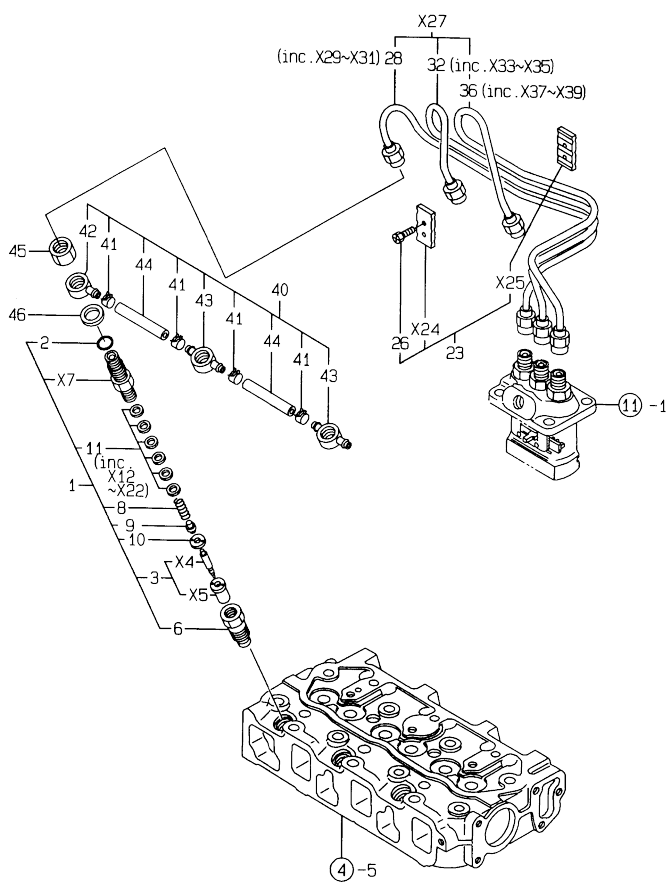
(1) SELECTIVE PARTS: CERTAIN THE CLASSIFICATION MARK, THEN PLACE YOUR ORDER(REFER TO ILLUSTRATION)





Fig.13. FUEL INJECTION VALVE

13.FUEL INJECTION VALVE



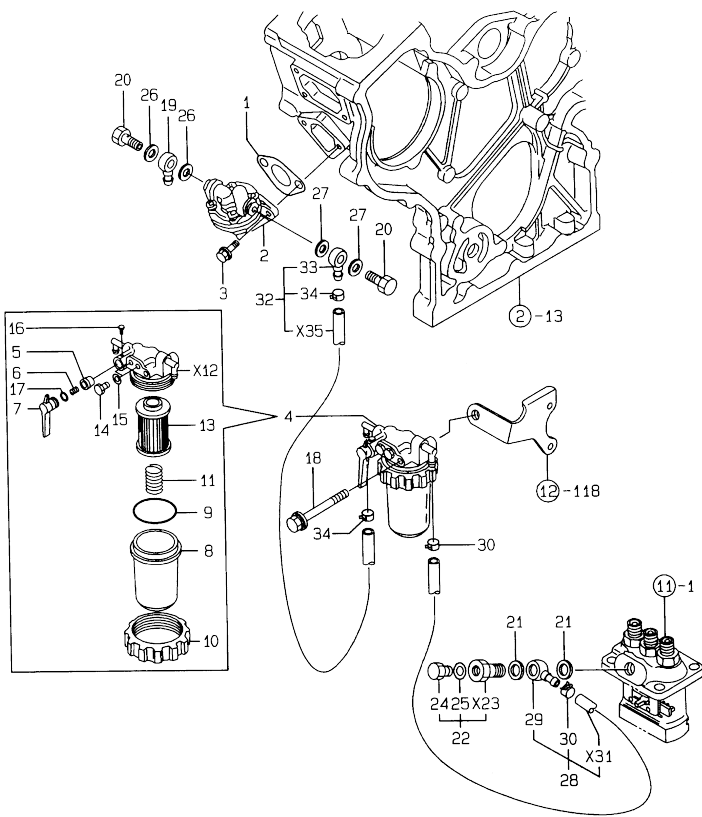
No.	Lev.	Parts No.	Description	Q'ty					
				(A)	(B)	(C)	(D)	(E)	(F)
1	1	719620-53100	VALVE ASSY,INJECTION	3					
2	2	129155-61830	O-RING, S10	3					
3	2	119620-53000	VALVE ASSY,INJECTION	3					
6	2	119620-53080	NUT, NOZZLE	3					
8	2	119620-53120	SPRING, NOZZLE	3					
9	2	114250-53130	SEAT, SPRING	3					
10	2	119620-53140	SPACER, VALVE STOP	3					
11	2	114250-53400	SHIM SET	3					
23	1	129150-59120	RETAINER, PIPE	1					
26	2	129150-59131	BOLT, M4X14	2					
28	2	119620-59811	PIPE ASSY, INJECTION	1					
32	2	119620-59821	PIPE ASSY, INJECTION	1					
36	2	119620-59831	PIPE ASSY, INJECTION	1					
40	1	119620-59540	PIPE ASSY, FUEL	1					
41	2	124066-59100	CLIP, HOSE 8	4					
42	2	119260-59520	JOINT	1					
43	2	119260-59530	JOINT	2					
44	2	105025-59550	PIPE, FUEL RETURN	2					
45	1	119620-59700	NUT, NOZZLE	3					
46	1	22190-140002	WASHER, SEAL 14	3					

N:Old  $\frac{100}{100}$  New, Q:Old  $\frac{100}{100}$  New, R:Old  $\frac{100}{100}$  New, S:Old  $\frac{100}{100}$  New, W:Add, Z:Discontinued, F:Interchangeable by set, K:Q'ty Change  
 Copyright (C) YANMAR CO., LTD. All Rights Reserved.

OCV10-M76300

Fig.14. FUEL LINE

14.FUEL LINE

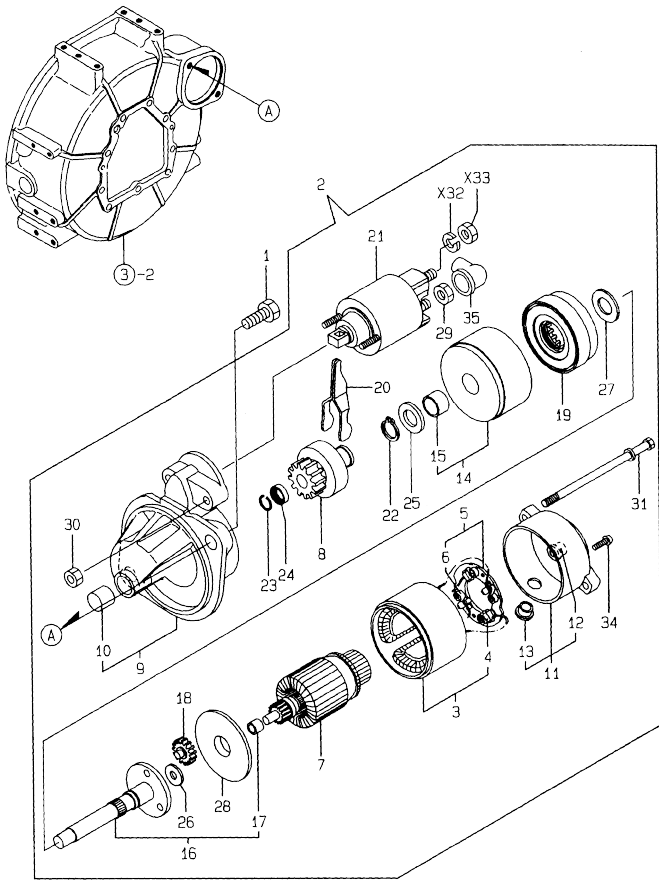


No.	Lev.	Parts No.	Description	Q'ty						I	R
				(A)	(B)	(C)	(D)	(E)	(F)		
1	1	121520-01851	GASKET	1							
2	1	119600-52021	PUMP ASSY, FUEL FEED	1							
3	1	26106-060162	BOLT, M6X 16 PLATED	2							
4	1	171059-55600	FILTER ASSY, FUEL	1							
5	2	104200-55321	VALVE, TAPER	1							
6	2	104200-55330	SPRING, VALVE	1							
7	2	104200-55341	HANDLE	1							
8	2	121254-55510	COVER	1							
9	2	102103-55520	O-RING	1							
10	2	110250-55610	RING, RETAINING	1							
11	2	121250-55620	SPRING	1							
13	2	124550-55700	FILTER, FUEL L=90	1							
14	2	101720-55750	PLUG, 6	2							
15	2	23418-060000	GASKET, 6X1.0	2							
16	2	104200-55750	SCREW, M4	1							
17	2	24311-240100	O-RING, 1AP10A	1							
18	1	26014-080702	BOLT, M8X 70	1							
19	1	104264-59030	JOINT, PIPE 8	1							
20	1	105582-59150	BOLT, PIPE JOINT	2							
21	1	22190-120002	WASHER, SEAL 12	2							
22	1	103854-59191	BOLT ASSY, JOINT M12	1							
24	2	124060-59380	PLUG, 6	1							
25	2	22190-060002	WASHER, SEAL 6	1							
26	1	22190-080002	WASHER, SEAL 6	2							
27	1	22190-080002	WASHER, SEAL 6	2							
28	1	119621-59010	PIPE ASSY, FUEL	1							
29	2	101304-59020	JOINT, PIPE 12	1							
30	2	124766-59050	CLIP, HOSE 12	2							
32	1	119260-59020	PIPE ASSY, D12XL400	1							
33	2	104264-59030	JOINT, PIPE 8	1							
34	2	124766-59050	CLIP, HOSE 12	2							

N:Old  $\frac{New}{Old}$  New, Q:Old  $\frac{New}{Old}$  New, R:Old  $\frac{New}{Old}$  New, S:Old  $\frac{New}{Old}$  New, W:Add, Z:Discontinued, F:Interchangeable by set, K:Qty Change  
 Copyright (C) YANMAR CO., LTD. All Rights Reserved.

Fig.15. STARTING MOTOR

15. STARTING MOTOR



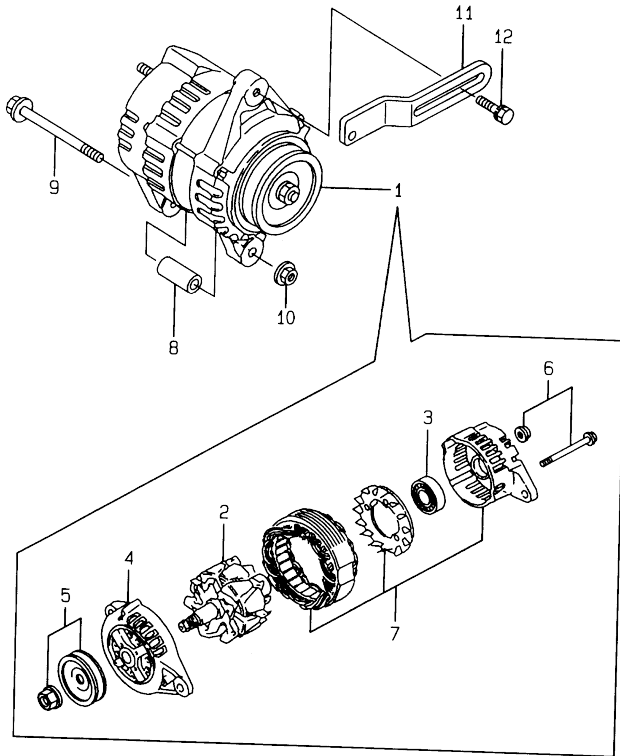
x-MARK PARTS: NOT SOLD SEPARATELY.

No.	Lev.	Parts No.	Description	Q'ty					
				(A)	(B)	(C)	(D)	(E)	(F)
1	1	26116-120252	BOLT, M12X 25 PLATED	2					
2	1	119255-77010	STARTER	1					
3	2	X0281007680	YOKE ASSY	1					
4	3	X0280996180	STARTER KIT	2					
5	2	X0285105190	HOLDER ASSY	1					
6	3	X0285205030	SPRING	4					
7	2	X0282005871	ARMATURE ASSY	1					
8	2	X0283006960	CLUTCH ASSY	1					
9	2	X5128400875	HOUSING ASSY	1					
10	3	X9491050100	BEARING, NEEDLE	1					
11	2	X0285005770	FRAME ASSY	1					
12	3	X9491040990	BEARING	1					
13	3	X0280626010	COVER	1					
14	2	X0284105010	BEARING ASSY	1					
15	3	X9491034330	BEARING	1					
16	2	X0286105010	SHAFT ASSY	1					
17	3	X9491034320	BEARING	1					
18	2	X0286305010	GEAR	3					
19	2	X0286355010	GEAR	1					
20	2	X0287405140	LEVER	1					
21	2	X0534007800	SWITCH ASSY	1					
22	2	X9055715000	RING	1					
23	2	X9490721360	RING	1					
24	2	X0280210331	NUT	1					
25	2	X9490138110	WASHER	1					
26	2	X9490138090	WASHER	1					
27	2	X9490138100	WASHER	1					
28	2	X0284525010	PLATE	1					
29	2	X9490562360	NUT	1					
30	2	X9490560750	NUT	2					
31	2	X9490423520	BOLT, THROUGH	2					
34	2	X9490065670	SCREW, M4X6	2					
35	2	X0280335100	COVER, TERMINAL	1					

N:Old  $\frac{100}{100}$  New, Q:Old  $\frac{100}{100}$  New, R:Old  $\frac{100}{100}$  New, S:Old  $\frac{100}{100}$  New, W:Add, Z:Discontinued, F:Interchangeable by set, K:Qty Change  
 Copyright (C) YANMAR CO., LTD. All Rights Reserved.

Fig.16. GENERATOR

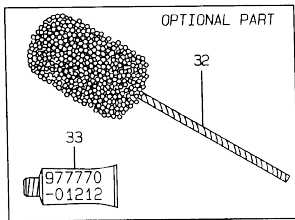
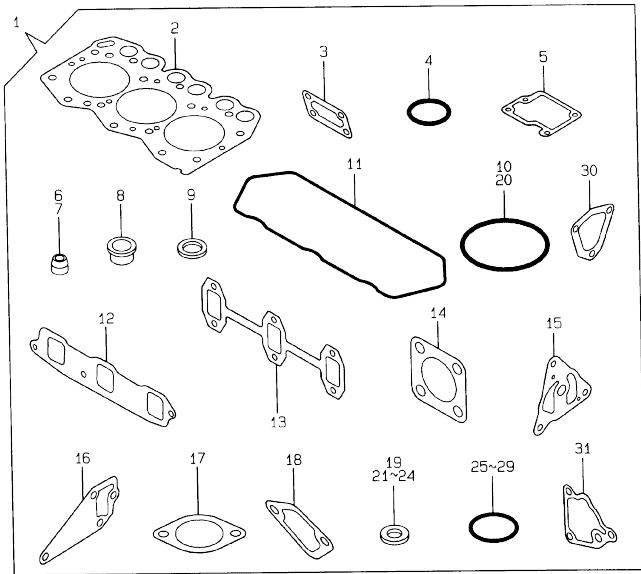
16. GENERATOR



No.	Lev.	Parts No.	Description	Q'ty					
				(A)	(B)	(C)	(D)	(E)	(F)
1	1	119836-77201	GENERATOR (AC)	1					
2	2	129612-77700	ROTOR ASSY	1					
3	2	129612-77710	BEARING, BALL	1					
4	2	129612-77730	BRACKET ASSY, FILTER	1					
5	2	129612-77740	PULLEY	1					
6	2	129612-77750	SCREW KIT	1					
7	2	119836-77920	BRACKET ASSY	1					
8	1	119621-77340	PIECE, DISTANCE	1					
9	1	26106-081052	BOLT, M8X105 PLATED	1					
10	1	26366-080002	NUT, M8	1					
11	1	119660-77330	ADJUSTER	1					
12	1	26106-080182	BOLT, M8X 18 PLATED	1					

Fig.17. GASKET SET

17.GASKET SET



No.	Lev.	Parts No.	Description	Q'ty						I	R	
				(A)	(B)	(C)	(D)	(E)	(F)			
1	1	719687-92630	GASKET SET	1							1	
2	2	119623-01340	GASKET, HEAD	1								
3	2	119660-01562	GASKET	1								
4	2	24311-000320	O-RING, 1AP32.0	1								
5	2	119620-03031	GASKET	1								
6	2	124950-11340	SEAL, VALVE STEM	3								
7	2	124160-11340	SEAL, VALVE STEM	3								
8	2	119600-11450	PROTECTOR, NOZZLE	3								
9	2	119600-11460	GASKET, NOZZLE	6								
10	2	24321-000600	O-RING, 1AG60.0	1								
11	2	119620-11310	GASKET, BONNET	1								
12	2	119660-12111	GASKET, MANIFOLD	1								
13	2	119620-13110	GASKET	1								
14	2	121000-13201	GASKET, SILENCER	1								
15	2	119660-32020	GASKET, PUMP	1								
16	2	119620-42021	GASKET, WATER PUMP	1								
17	2	129350-49541	GASKET	1								
18	2	121520-01851	GASKET	1								
19	2	124465-44950	GASKET, 16	2								
20	2	24321-000700	O-RING, 1AG70.0	1								
21	2	22190-140002	WASHER, SEAL 14	3								
22	2	22190-080002	WASHER, SEAL 6	5								
23	2	22190-060003	SEAL WASHER 6	2								
24	2	22190-120002	WASHER, SEAL 12	4								
25	2	119624-32040	O-RING, P12.0	2								
26	2	119209-35030	O-RING, P11	1								
27	2	24311-000120	O-RING, 1AP12.0	2								
28	2	24311-000160	O-RING, 1AP16.0	1								
29	2	24341-000240	O-RING, 1AS24.0	1								
30	2	119660-61071	GASKET	1								
31	2	119660-35113	GASKET	1								
32	1	129400-92410	FLEX HORN	1								1
33	1	97770-01212	GASKET, LIQUID	1								1

Remarks  
(1) OPTIONAL PART.

## Parts No. Index

Parts No.	Fig. No.	Ref. No.	Parts No.	Fig. No.	Ref. No.	Parts No.	Fig. No.	Ref. No.	Parts No.	Fig. No.	Ref. No.
101304-59020	14	29	119600-52021	14	2	119620-51370	11	27	119655-12560	5	7
101720-55750	14	14	119600-61100	12	6	119620-51450	11	28	119656-42291	10	15
102103-55520	14	9	119600-61200	12	7	119620-51461	11	29	119657-11351	4	46
103854-59191	14	22	119600-61541	12	45	119620-51510	11	31	119660-01510	2	15
104200-55321	14	5	119600-61650	12	47	119620-51650	11	33	119660-01551	2	18
104200-55330	14	6	119600-61900	12	51	119620-51680	11	34	119660-01562	2	19
104200-55341	14	7	119600-66530	12	70	119620-51670	11	35		17	3
104200-55750	14	16	119600-66840	12	109	119620-51680	11	36	119660-01570	2	20
104211-11370	4	23	119609-42320	10	10	119620-51700	11	37	119660-01640	3	7
104264-59030	14	19	119610-01490	2	13	119620-53000	13	3	119660-01821	7	16
		33	119610-01590	2	1	119620-53080	13	6	119660-01911	2	4
105010-11230	4	34	119620-01200	1	20	119620-53120	13	8	119660-12101	5	1
		38	119620-01620	3	6	119620-53140	13	10	119660-12111	5	2
105025-59550	13	44	119620-01750	3	4	119620-59540	13	40		17	12
105225-23200	8	26	119620-01800	2	3	119620-59700	13	45	119660-25022	7	8
105546-51330	11	24	119620-02020	1	5	119620-59811	13	28	119660-25052	7	9
105582-59150	14	20	119620-02450	7	4	119620-59821	13	32	119660-32001	9	1
110250-55610	14	10	119620-03020	4	47	119620-59831	13	36	119660-32020	9	11
114250-39450	9	32	119620-03031	4	48	119620-77820	4	57		17	15
114250-53130	13	9		17	5	119621-21680	8	8	119660-35102	9	15
114250-53400	13	11	119620-11110	4	17	119621-59010	14	28	119660-35113	9	16
114399-22300	8	20	119620-11120	4	18	119621-66051	12	63		17	31
118400-03060	4	51	119620-11180	4	19	119621-77340	16	8	119660-42350	10	16
119131-18320	6	7	119620-11200	4	27	119623-01250	1	9	119660-51500	11	30
		10	119620-11240	4	28	119623-01340	1	21	119660-51530	11	32
119209-35030	9	30	119620-11260	4	31		17	2	119660-61052	12	19
		17	119620-11280	4	32	119623-01950	2	21	119660-61060	12	2
119232-61540	12	44	119620-11310	4	50	119623-11100	4	16	119660-61071	12	3
119255-77010	15	2		17	11	119623-21700	8	1		17	30
119260-07900	4	2	119620-11350	4	43	119623-22080	8	14	119660-61121	12	13
119260-59020	14	32	119620-11801	4	10	119623-22500	8	16	119660-61140	12	14
119260-59520	13	42	119620-13110	6	2	119623-22900	8	29	119660-61150	12	15
119260-59530	13	43		17	13	119623-22950	8	31	119660-61300	12	11
119260-66010	12	62	119620-14100	7	6	119623-34820	9	14	119660-61341	12	12
119260-66720	12	76	119620-14200	7	1	119624-02410	1	18	119660-61460	12	20
119266-51900	11	45	119620-14401	7	2	119624-32040	2	5	119660-61590	12	28
119280-01601	3	2	119620-21941	8	9		17	25	119660-61901	12	52
119285-66080	12	53	119620-23910	8	24	119629-14580	7	3	119660-77330	16	11
119288-55901	12	118	119620-25102	7	10	119631-13101	6	1	119688-21591	8	11
119288-61200	12	16	119620-25912	7	12	119642-33030	9	34	119789-12600	5	11
119288-61510	12	29	119620-42021	10	12	119642-33100	9	35	119807-11770	4	52
119305-35150	9	17		17	16	119642-42000	10	1	119808-12540	5	9
119600-01050	1	4	119620-51101	11	3	119642-49030	9	37	119823-13600	6	9
119600-01722	3	11	119620-51170	11	6	119642-49050	9	38	119836-77201	16	1
119600-01770	3	12	119620-51180	11	7	119642-49090	9	40	119836-77920	16	7
119600-11450	4	24	119620-51190	11	8	119644-21200	8	4	119840-13150	6	3
		17	119620-51250	11	9	119653-12500	5	5	119865-12600	5	12
119600-11460	4	25	119620-51300	11	21	119653-12550	5	10	119865-21600	8	13
		17	119620-51340	11	25	119653-21660	8	7	121000-13201	6	4
119600-35091	9	29	119620-51350	11	26	119653-66500	12	65		17	14

## Parts No. Index

Parts No.	Fig. No.	Ref. No.	Parts No.	Fig. No.	Ref. No.	Parts No.	Fig. No.	Ref. No.	Parts No.	Fig. No.	Ref. No.
121023-01550	2	32	129612-77710	16	3	24311-000160	17	28	26116-120252	15	1
121111-21501	8	10	129612-77730	16	4	24311-000320	2	12	26206-100252	3	5
121120-01620	3	3	129612-77740	16	5		17	4	26216-080552	6	8
121250-44901	10	23	129612-77750	16	6	24311-240100	14	17	26366-060002	2	31
121250-55620	14	11	129795-77800	4	56	24321-000600	9	42	26366-080002	4	45
121254-55510	14	8	171059-55600	14	4		17	10		6	5
121267-44760	10	27	171301-01640	3	14	24321-000700	9	43			11
121450-01560	2	16	174307-51700	12	30		17	20		16	10
121450-42450	10	25	194990-22050	2	30	24341-000070	12	58	26450-060202	9	12
121465-59950	12	60		12	1	24341-000240	2	33	26587-080102	7	24
121520-01851	14	1	22111-060000	12	119		17	29	26756-060002	12	116
	17	18	22117-040000	12	48	24341-000250	3	15	26776-120002	12	110
121520-34810	9	13	22190-060002	14	25	24341-000280	12	67	26856-060002	4	36
121550-49111	10	14	22190-060003	12	117	26014-080702	14	18			40
121575-66830	12	108		17	23	26022-040082	11	42	26979-050162	4	42
121851-11970	9	33	22190-080002	11	46	26033-040102	11	43	27221-050080	4	14
124060-59380	14	24		14	26	26106-060102	9	31	27241-120000	1	10
124066-59100	13	41			27		12	59	27241-300000	1	11
124085-02220	3	9		17	22	26106-060122	1	19	27241-400000	4	15
124160-01751	2	11	22190-120002	12	111		3	16	27310-070001	4	20
124160-11340	4	21		14	21		5	17	719620-02800	1	12
	17	7		17	24		7	15	719620-02870	1	22
124160-11360	4	54	22190-140002	13	46	26106-060162	2	6	719620-02930	1	15
124465-44950	10	24		17	21			34	719620-11650	4	33
		26	22242-000120	4	41		5	3	719620-11660	4	37
	17	19	22242-000200	7	14		7	23	719620-23100	8	22
124550-55700	14	13	22252-000210	8	21		14	3	719620-23600	8	38
124550-66370	12	64	22272-000040	12	49	26106-060222	3	10	719620-23610	8	35
124700-44740	10	17	22351-030012	8	37	26106-060302	2	7	719620-53100	13	1
124766-59050	14	30	22351-030014	12	50		10	18	719623-01560	1	1
		34	22351-040010	2	17	26106-060402	5	4	719623-11710	4	5
124950-11340	4	22		12	57	26106-060452	3	17	719624-51100	11	1
	17	6	22351-060012	4	26	26106-060602	2	8	719660-14590	7	17
129100-01580	3	1	22360-040000	12	112			9	719687-92630	17	1
	8	2	22360-060000	12	113	26106-060702	12	4	977770-01212	2	35
129100-61930	12	61	22512-040120	7	7	26106-060752	12	5		3	18
129120-35301	9	18			20	26106-060802	2	10		17	33
129122-44480	9	36		8	5	26106-060952	12	69	X0280210331	15	24
129150-35350	9	26	22857-500100	4	53	26106-080142	4	3	X0280335100	15	35
129150-59120	13	23	23000-022000	9	41			4	X0280626010	15	13
129150-59131	13	26	23000-054000	5	16		5	18	X0280996180	15	4
129155-51280	12	17	23065-120500	4	1	26106-080182	16	12	X0281007680	15	3
129155-61480	12	23	23418-060000	14	15	26106-080202	9	28	X0282005871	15	7
129155-61830	13	2	23876-010000	1	8		10	22	X0283006960	15	8
129350-49530	10	19	23876-020000	4	13	26106-080402	6	6	X0284105010	15	14
129350-49541	10	20	24101-062034	7	22	26106-080452	4	44	X0284525010	15	28
	17	17	24102-063034	7	21		10	13	X0285005770	15	11
129350-49800	10	21	24311-000120	4	55	26106-081052	16	9	X0285105190	15	5
129400-92410	17	32		17	27	26116-050102	12	114	X0285205030	15	6
129612-77700	16	2	24311-000160	9	27	26116-060304	12	115	X0286105010	15	16



## Parts No. Index

Parts No.	Fig. No.	Ref. No.
X0286305010	15	18
X0286355010	15	19
X0287405140	15	20
X0534007800	15	21
X5128400875	15	9
X9055715000	15	22
X9490065670	15	34
X9490138090	15	26
X9490138100	15	27
X9490138110	15	25
X9490423520	15	31
X9490560750	15	30
X9490562360	15	29
X9490721360	15	23
X9491034320	15	17
X9491034330	15	15
X9491040990	15	12
X9491050100	15	10

Parts No.	Fig. No.	Ref. No.
-----------	----------	----------

Parts No.	Fig. No.	Ref. No.
-----------	----------	----------

Parts No.	Fig. No.	Ref. No.
-----------	----------	----------