

0CV10-M48200EN

P R E F A C E

1. This Parts Catalog carries all parts incorporated in YANMAR Model 3TNE74 - AD engine manufactured since June, 1995.
2. Each illustration corresponds to the parts list on the following page.
3. When ordering parts, clearly write down the engine model and serial number, as well as the name and number of each part in your order sheet. This will help insure reliable delivery of the parts you have ordered.

Directions for the Parts Catalog.

1. This Parts Catalog shows both standard and optional parts.
2. Parts may change without prior notice.
3. The following is an example of the Parts Catalog format.

REF.	LEV.	PARTS NO.	DESCRIPTION	Q'TY						I	R
				(A)	(B)	(C)	(D)	(E)	(F)		
1	1	729595-51390	FUEL INJECTION PUMP	1	1	1	1	1			1
1-1	1	729595-51391	FUEL INJECTION PUMP	1	1	1	1	1		N	1
		(A=E00185) (B=E00200)									
3	2	26022-060162	SCREW M 6X 16	9	9	9	9	9			
3-1	2	26022-060162	SCREW M 6X 16	4	4	4	4	4		K	
		(A=E00156) (B=E00156) (C=E00156) (D=E00156) (E=E00156)									
4	2	129470-51040	CAMSHAFT	1	1	1	1	1			
5	2	122710-51050	BEARING, ROLLER	2	2	2	2	2			
6	2	129470-51060	RETAINER	1	1	1	1	1			

Remarks
(1) BOOST COMPEMSATOR TYPE. OPTIONAL PART, TO E00155,(4JH-DT, 4JH-DTZ

① Ref. No.

The Ref. No. listed may not be in accordance with the illustration Ref. No.

(Ex.) Illustration No.

List Ref No.

1 1 (Before change) → 1-1 (After change)

For interchangeable symbols N, R and K, illustrations for new parts may be abbreviated.

② Lev. (Level)

Level indication

The numbers below indicate the level of relativity towards the main part.

1 ---- Main parts (Assembly parts)

2 ---- Sub component included in " 1 ".

3 ---- Sub component included in " 2 ".

Note) Parts that are not for sale are partially illustrated but not listed.

③ Interchangeability Symbol

When a part change takes place, one of the following interchangeability symbols is indicated beside the part.

Symbol	Interchangeability	Contents note
N	Old $\begin{matrix} \leftarrow \text{Yes} \\ \text{No} \rightarrow \end{matrix}$ New	New Part is interchangeable for Old Part but Old Part is not interchangeable for New Part.
Q	Old $\begin{matrix} \leftarrow \text{No} \\ \text{Yes} \rightarrow \end{matrix}$ New	New Part is not interchangeable for Old Part but Old Part is interchangeable for New Part.
R	Old $\begin{matrix} \leftarrow \text{Yes} \\ \text{Yes} \rightarrow \end{matrix}$ New	New/ Old Parts are both interchangeable.
S	Old $\begin{matrix} \leftarrow \text{No} \\ \text{No} \rightarrow \end{matrix}$ New	New/ Old Parts are both not interchangeable.
W		Part newly added.
Z		Part discontinued.
F		Not interchangeable by a single part but interchangeable together with related parts.
K		Changes only for used parts quantities.

④ Effective Machine No.

When a part changes, the effective Machine No. will be indicated in the (A)-(F) column.

Product Symbol	Product No.	Product Symbol	Product No.
C	Clutch No. Compressor No.	F	Machine No. (Agricultural Equip.)
D	Drive No.	M	Machine No.
E	Engine No.		

Note 1) A date may follow the symbol. (Ex.) 1996.01

Note 2) "XXXXX" and "ZZZZZ" are for parts that could not be predicted or for engine models that could not be identified.

Note 3) (A=E00185) is the E (Engine Serial Number) for the column (A) model (in this case 4JH-DT) after the parts design change.

⑤ Remarks

Figures or alphabets (symbols) are entered in the remarks column.

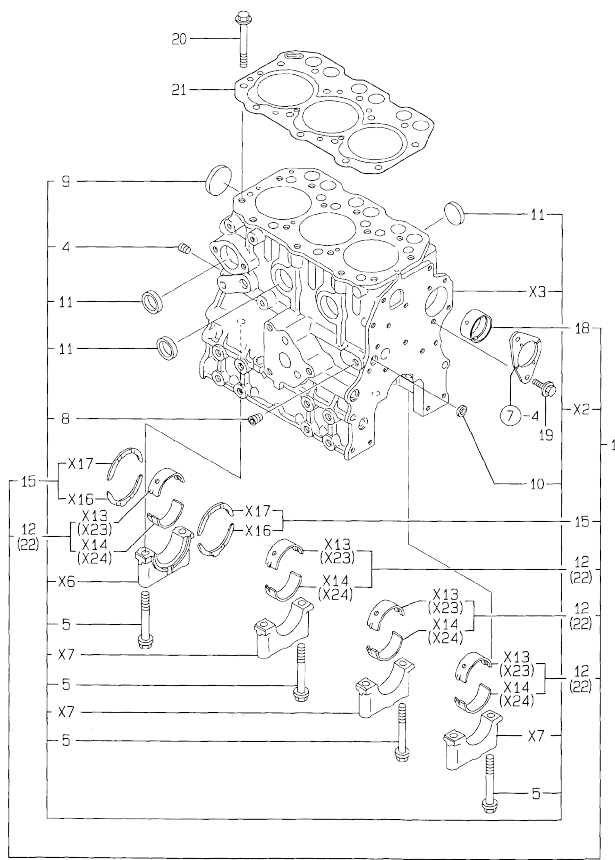
The comments (remarks) on parts that are indicated at the bottom of the illustration are the same symbols as those stated above.

Contents

Fig. No.	Fig. Name	Fig. No.	Fig. Name
3TNE74-AD			
1.	CYLINDER BLOCK		
2.	GEAR HOUSING		
3.	FLYWHEEL HOUSING & OIL SUMP		
4.	CYLINDER HEAD & BONNET		
5.	SUCTION MANIFOLD & AIR CLEANER		
6.	EXHAUST MANIFOLD & SILENCER		
7.	CAMSHAFT & DRIVING GEAR		
8.	CRANKSHAFT & PISTON		
9.	LUB.OIL SYSTEM		
10.	COOLING WATER SYSTEM		
11.	FUEL INJECTION PUMP		
12.	GOVERNOR		
13.	FUEL INJECTION VALVE		
14.	FUEL FILTER		
15.	STARTING MOTOR		
16.	GENERATOR		
17.	GASKET SET		

Fig.1. CYLINDER BLOCK

1. CYLINDER BLOCK

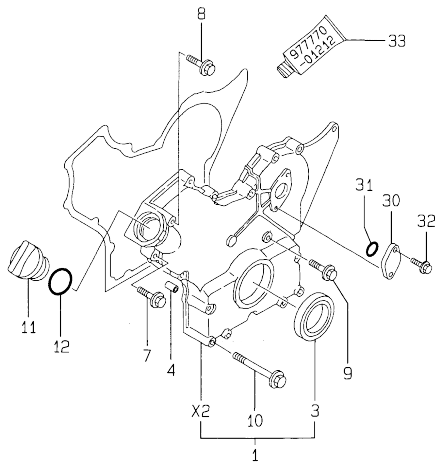
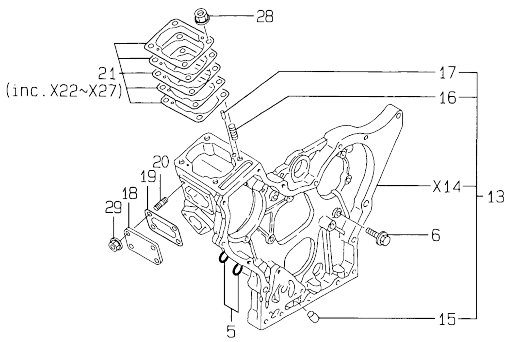


No.	Lev.	Parts No.	Description	Q'ty						I	R
				(A)	(B)	(C)	(D)	(E)	(F)		
1	1	719623-01560	BLOCK ASSY, CYLINDER	1							
4	3	119600-01050	PLUG, PT1/4	1							
5	3	119620-02020	BOLT, METAL CAP	8							
8	3	23871-010000	PLUG, R01	1							
9	3	27231-450000	PLUG 45	1							
10	3	27241-120000	PLUG, 12	1							
11	3	27241-300000	PLUG 30	6							
12	2	719620-02800	BEARING, MAIN	4							
15	2	719620-02930	BEARING, THRUST	2							
18	2	119620-02410	BUSH, CAMSHAFT	1							
19	1	26106-060122	BOLT, M6X 12 PLATED	2							
20	1	119620-01200	BOLT, HEAD	14							
21	1	119623-01330	GASKET, HEAD	1							
22	1	719620-02870	BEARING, 0.25 US	4							1

Remarks
 (1) UNDER-SIZE (U.S=0.25) PART.

Fig.2. GEAR HOUSING

2. GEAR HOUSING



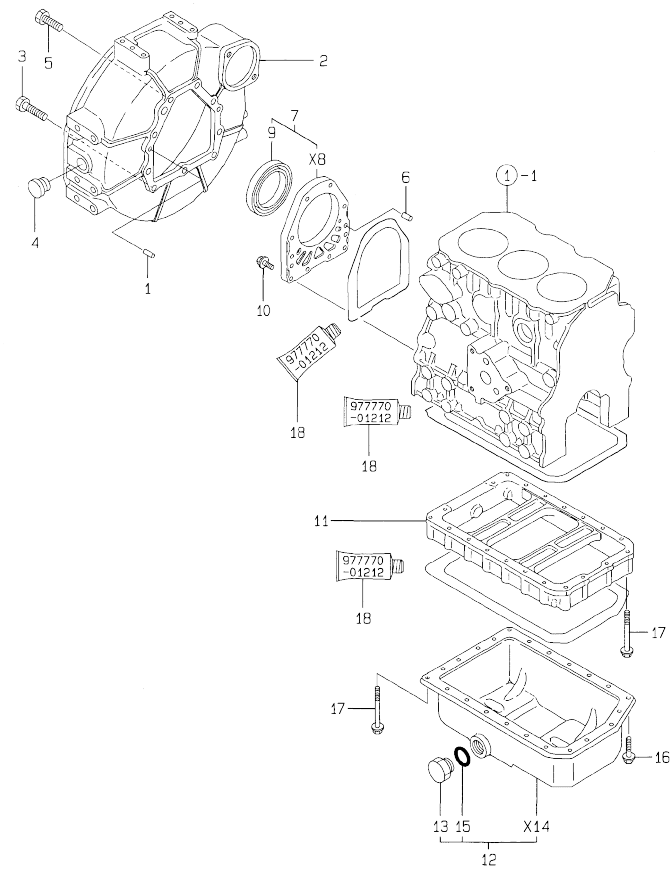
No.	Lev.	Parts No.	Description	Q'ty						I	R	
				(A)	(B)	(C)	(D)	(E)	(F)			
1	1	119610-01590	COVER ASSY,GEAR CASE	1								
3	2	119620-01800	SEAL, OIL	1								
4	1	119660-01911	PIPE, KNOCK	4								
5	1	24311-000120	O-RING, 1AP12.0	2								
6	1	26106-060162	BOLT, M6X 16 PLATED	7								
7	1	26106-060302	BOLT, M6X 30 PLATED	8								
8	1	26106-060602	BOLT, M6X 60 PLATED	1								
9	1	26106-060602	BOLT, M6X 60 PLATED	3								
10	1	26106-060802	BOLT, M6X 80 PLATED	6								
11	1	124160-01751	COVER, FILLER	1								
12	1	24311-000320	O-RING, 1AP32.0	1								
13	1	119610-01490	CASE ASSY, GEAR	1								
15	2	119660-01510	PLUG, 10X14	1								
16	2	121450-01560	STUD, M8X22	4								
17	2	22351-040010	PIN, SPRING 4.0X10	2								
18	1	119660-01551	COVER	1								
19	1	119660-01562	GASKET	1								
20	1	119660-01570	STUD, M6X12	4								
21	1	119623-01950	SHIM SET, ADJUSTING	1								
28	1	194990-22050	NUT, M8	4								
29	1	26366-060002	NUT, M6	4								
30	1	121023-01550	COVER	1								
31	1	24341-000240	O-RING, 1AS24.0	1								
32	1	26106-060182	BOLT, M6X 18 PLATED	2								
33	1	97770-01212	GASKET, LIQUID	1								1

Remarks
(1) OPTIONAL PART.

OCV10-M48200

Fig.3. FLYWHEEL HOUSING & OIL SUMP

3.FLYWHEEL HOUSING & OIL SUMP



No.	Lev.	Parts No.	Description	Q'ty						I	R	
				(A)	(B)	(C)	(D)	(E)	(F)			
1	1	129100-01580	PIN, M8X16		2							
2	1	119280-01600	FLANGE, MOUNTING		1							
3	1	121120-01620	BOLT, M10X28		3							
4	1	119620-01750	CAP		1							
5	1	26206-100252	BOLT, M10X 25 PLATED		6							
6	1	119620-01620	PIN, M6X10		2							
7	1	119660-01640	CASE ASSY, OIL SEAL		1							
9	2	124085-02220	SEAL, OIL		1							
10	1	26106-060222	BOLT, M6X 22 PLATED		10							
11	1	119600-01722	SPACER, OIL SUMP		1							
12	1	119600-01770	SUMP ASSY, OIL		1							
13	2	171301-01640	PLUG, 22		1							
15	2	24341-000250	O-RING, 1AS25.0		1							
16	1	26106-060122	BOLT, M6X 12 PLATED		3							
17	1	26106-060452	BOLT, M6X 45 PLATED		20							
18	1	97770-01212	GASKET, LIQUID		1							1

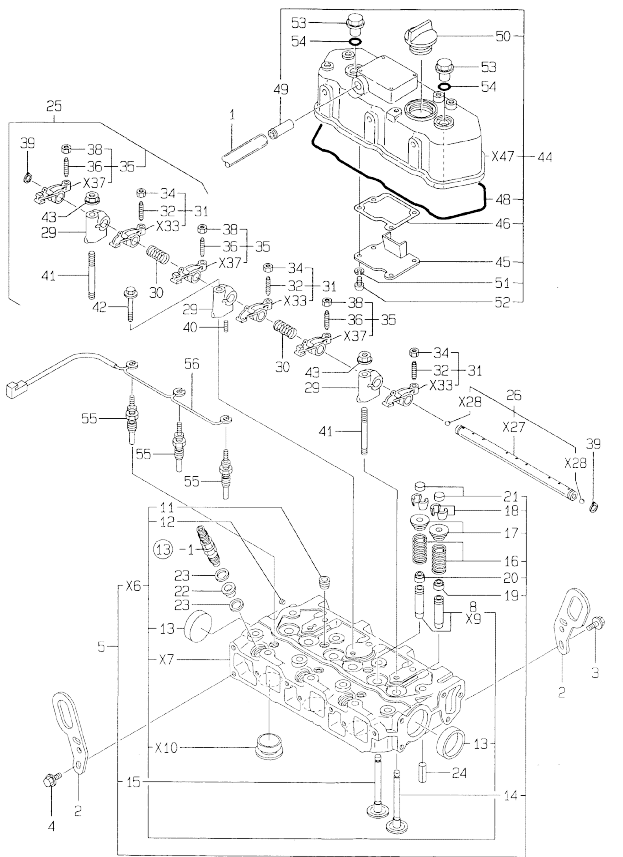
Remarks
(1) OPTIONAL PART.

N:Old $\frac{New}{Old}$ New, Q:Old $\frac{New}{Old}$ New, R:Old $\frac{New}{Old}$ New, S:Old $\frac{New}{Old}$ New, W:Add, Z:Discontinued, F:Interchangeable by set, K:Q'ty Change
Copyright (C) YANMAR CO., LTD. All Rights Reserved.

OCV10-M48200

Fig.4. CYLINDER HEAD & BONNET

4. CYLINDER HEAD & BONNET



X-MARK PARTS: NOT SOLD SEPARATELY

Remarks
(1) REPAIR PART.

(A)=3TNE74-AD
(B)=
(C)=

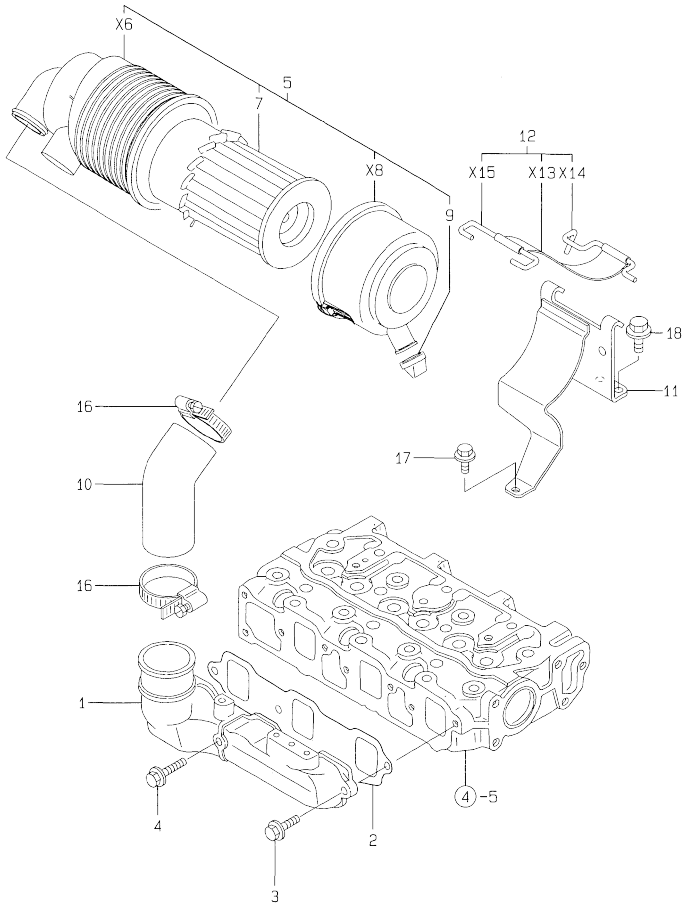
(D)=
(E)=
(F)=

No.	Lev.	Parts No.	Description	Q'ty						I	R
				(A)	(B)	(C)	(D)	(E)	(F)		
1	1	23065-120500	PIPE, 12X 500	1							
2	1	119260-07900	LIFTER	2							
3	1	26106-080142	BOLT, M8X 14 PLATED	1							
4	1	26106-080142	BOLT, M8X 14 PLATED	2							
5	1	719623-11700	HEAD ASSY, CYLINDER	1							1
8	3	119620-11801	GUIDE, VALVE	6							
11	3	121850-11860	PLUG, PT1/4	2							
12	3	27221-050080	PLUG, 5X 8	1							
13	3	27241-400000	PLUG, 40	2							
14	2	119623-11100	VALVE, INTAKE	3							
15	2	119620-11110	VALVE, EXHAUST	3							
16	2	119620-11120	SPRING, VALVE	6							
17	2	119620-11180	RETAINER, SPRING	6							
18	2	27310-070001	COTTER, 7	6							
19	2	124160-11340	SEAL, VALVE STEM	3							
20	2	124950-11340	SEAL, VALVE STEM	3							
21	2	104211-11370	CAP, VALVE	6							
22	1	119600-11450	PROTECTOR, NOZZLE	3							
23	1	119600-11460	GASKET, NOZZLE	6							
24	1	22351-060012	PIN, SPRING 6.0X12	2							
25	1	119789-11200	SUPPORT ASSY, ARM	1							
26	2	119620-11240	SHAFT ASSY, ROCKER	1							
29	2	119620-11260	SUPPORT, ROCKER ARM	3							
30	2	119620-11280	SPRING	2							
31	2	719789-11650	ARM ASSY, ROCKER	3							
32	3	105010-11230	SCREW, VALVE ADJUST	3							
34	3	26756-060002	NUT, LOCK M6	3							
35	2	719789-11660	ARM ASSY, ROCKER	3							
36	3	105010-11230	SCREW, VALVE ADJUST	3							
38	3	26756-060002	NUT, LOCK M6	3							
39	2	22242-000120	RING, 12	2							
40	2	26979-050162	SCREW, M5X16	1							
41	1	119620-11350	STUD	2							
42	1	26106-080452	BOLT, M8X 45 PLATED	1							
43	1	26366-080002	NUT, M8	2							
44	1	119657-11350	BONNET ASSY, HEAD	1							
45	2	119620-03020	PLATE, SHELTER	1							
46	2	119620-03031	GASKET	1							
48	2	119620-11310	GASKET, BONNET	1							
49	2	119620-11390	JOINT	1							
50	2	119807-11770	PLUG	1							
51	2	22217-050000	WASHER, SPRING 5	4							
52	2	26557-050102	SCREW, M5X10	4							
53	1	124160-11360	KNOB	2							
54	1	24311-000120	O-RING, 1AP12.0	2							
55	1	129795-77800	PLUG, GLOW	3							
56	1	119620-77820	CONNECTOR, GLOW PLUG	1							

N:Old $\frac{100}{100}$ New, Q:Old $\frac{100}{100}$ New, R:Old $\frac{100}{100}$ New, S:Old $\frac{100}{100}$ New, W:Add, Z:Discontinued, F:Interchangeable by set, K:Q'ty Change
Copyright (C) YANMAR CO., LTD. All Rights Reserved.

Fig.5. SUCTION MANIFOLD & AIR CLEANER

5. SUCTION MANIFOLD & AIR CLEANER



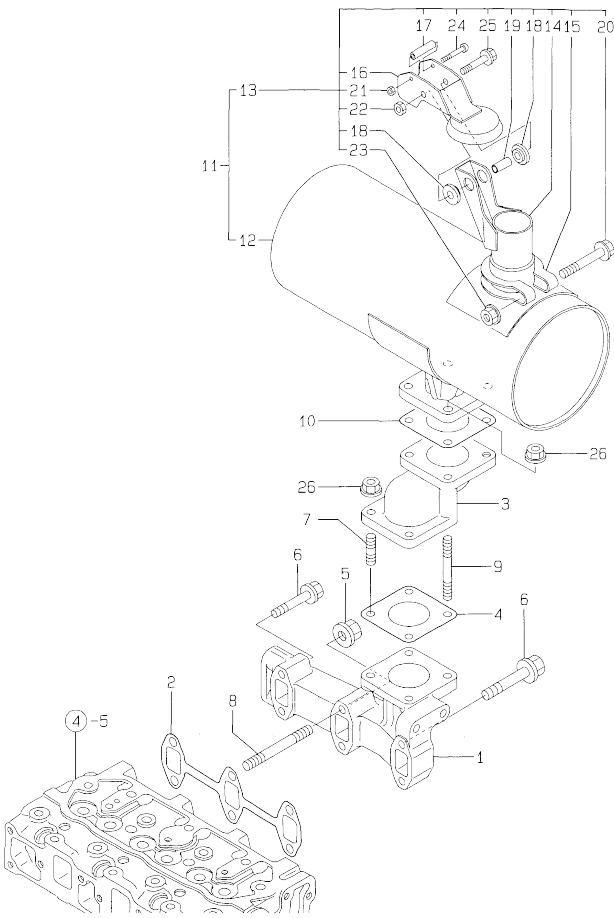
x-MARK PARTS: NOT SOLD SEPARATELY.

No.	Lev.	Parts No.	Description	Q'ty						I	R
				(A)	(B)	(C)	(D)	(E)	(F)		
1	1	119660-12101	MANIFOLD, AIR INTAKE	1							
2	1	119660-12111	GASKET, MANIFOLD	1							
3	1	26106-060162	BOLT, M6X 16 PLATED	2							
4	1	26106-060402	BOLT, M6X 40 PLATED	1							
5	1	119653-12500	CLEANER ASSY, AIR	1							
7	2	119655-12560	ELEMENT	1							
9	2	119808-12540	VALVE, UNLOADER	1							
10	1	119653-12550	PIPE, AIR INTAKE	1							
11	1	119789-12600	SUPPORT, AIR CLEANER	1							
12	1	119865-12600	BAND ASSY, CLEANER	1							
16	1	23000-054000	CLAMP, 54	2							
17	1	26106-060122	BOLT, M6X 12 PLATED	1							
18	1	26106-080142	BOLT, M8X 14 PLATED	2							

N:Old $\frac{100}{100}$ New, Q:Old $\frac{100}{100}$ New, R:Old $\frac{100}{100}$ New, S:Old $\frac{100}{100}$ New, W:Add, Z:Discontinued, F:Interchangeable by set, K:Q'ty Change
 Copyright (C) YANMAR CO., LTD. All Rights Reserved.

Fig.6. EXHAUST MANIFOLD & SILENCER

6. EXHAUST MANIFOLD & SILENCER



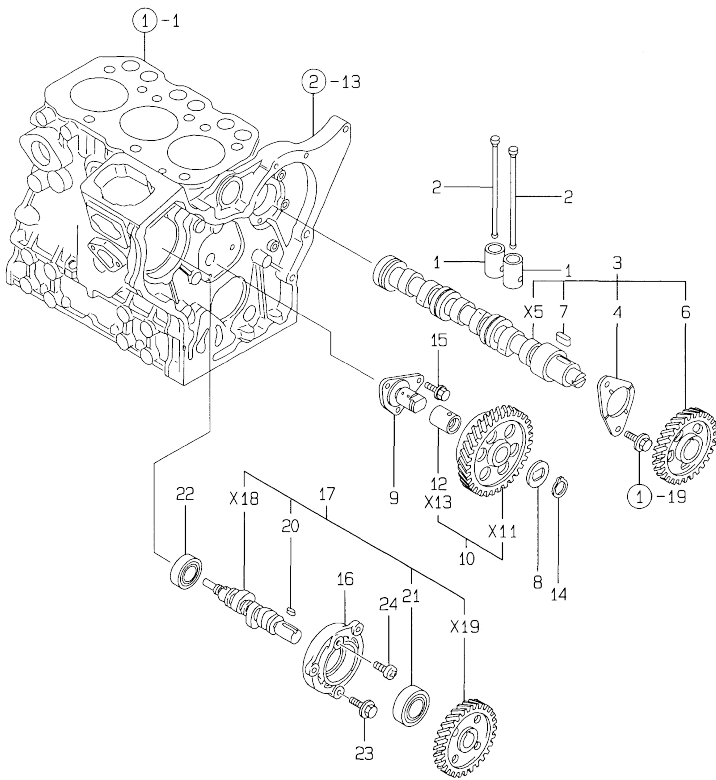
No.	Lev.	Parts No.	Description	Q'ty					
				(A)	(B)	(C)	(D)	(E)	(F)
1	1	119631-13101	MANIFOLD, EXHAUST	1					
2	1	119620-13110	GASKET	1					
3	1	119840-13150	PIPE	1					
4	1	121000-13201	GASKET, SILENCER	1					
5	1	194990-22050	NUT, M8	2					
6	1	26106-080402	BOLT, M8X 40 PLATED	4					
7	1	26216-080222	STUD, M8X 22	2					
8	1	26216-080552	STUD, M8X 55	2					
9	1	26216-080702	STUD, M8X 70	2					
10	1	121000-13201	GASKET, SILENCER	1					
11	1	119620-13501	SILENCER	1					
12	2	119620-13510	SILENCER ASSY	1					
13	2	119620-13520	PIPE ASSY, TAIL	1					
14	3	119620-13560	PIPE, TAIL	1					
15	3	124664-13580	CLAMP	1					
16	3	119358-13640	CAP RAIN	1					
17	3	121855-13821	SPACER, A	1					
18	3	121855-13830	SPACER, B	2					
19	3	123500-13840	SPACER, C	1					
20	3	26106-080552	BOLT, M8X 55 PLATED	1					
21	3	26347-040002	NUT, M4	1					
22	3	26347-060002	NUT, M6	1					
23	3	26366-080002	NUT, M8	1					
24	3	26557-040352	SCREW, M4X35	1					
25	3	26106-060402	BOLT, M6X 40 PLATED	1					
26	1	194990-22050	NUT, M8	4					

N:Old $\frac{100}{100}$ New, Q:Old $\frac{100}{100}$ New, R:Old $\frac{100}{100}$ New, S:Old $\frac{100}{100}$ New, W:Add, Z:Discontinued, F:Interchangeable by set, K:Q'ty Change
 Copyright (C) YANMAR CO., LTD. All Rights Reserved.

OCV10-M48200

Fig.7. CAMSHAFT & DRIVING GEAR

7.CAMSHAFT & DRIVING GEAR



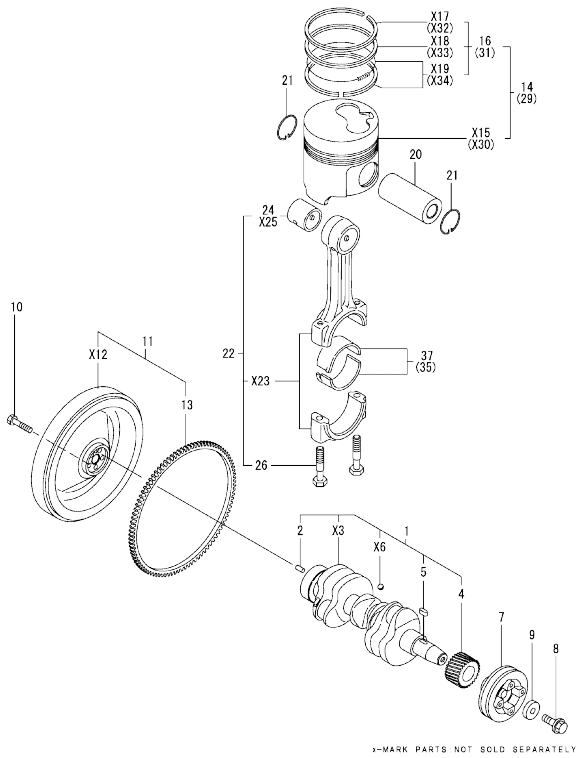
No.	Lev.	Parts No.	Description	Q'ty						I	R
				(A)	(B)	(C)	(D)	(E)	(F)		
1	1	119620-14200	TAPPET	6							
2	1	119620-14401	ROD, PUSH	6							
3	1	119629-14580	CAMSHAFT ASSY	1							
4	2	119620-02450	BEARING, THRUST	1							
6	2	119620-14100	GEAR, CAMSHAFT	1							
7	2	22512-040120	KEY, 4X 12	1							
8	1	119660-25022	RETAINER	1							
9	1	119660-25052	SHAFT, IDLE	1							
10	1	119620-25102	GEAR ASSY, IDLE	1							
12	2	119620-25912	BUSH	1							1
14	1	22242-000200	RING, 20	1							
15	1	26106-060122	BOLT, M6X 12 PLATED	3							
16	1	119660-01821	BEARING, FUEL CAM	1							
17	1	719660-14590	CAMSHAFT	1							
20	2	22512-040120	KEY, 4X 12	1							
21	2	24102-063034	BEARING, BALL 6303U	1							
22	1	24101-062034	BEARING, BALL 6203	1							
23	1	26106-060162	BOLT, M6X 16 PLATED	3							
24	1	26587-080102	SCREW, M8X10	1							

Remarks
(1) REPAIR PART.

N:Old $\frac{New}{Old}$ New, Q:Old $\frac{New}{Old}$ New, R:Old $\frac{New}{Old}$ New, S:Old $\frac{New}{Old}$ New, W:Add, Z:Discontinued, F:Interchangeable by set, K:Qty Change
Copyright (C) YANMAR CO., LTD. All Rights Reserved.

OCV10-M48200

Fig.8. CRANKSHAFT & PISTON



▶-MARK PARTS NOT SOLD SEPARATELY.

Remarks

- (1) REPAIR PART.
- (2) OVER-SIZE(O.S=0.25)PART.
- (3) UNDER-SIZE(U.S=0.25)PART.

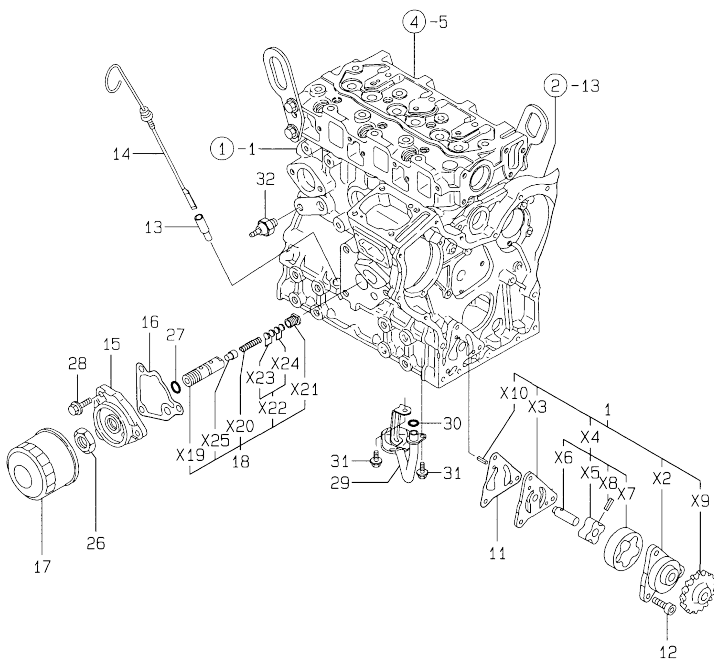
No.	Lev.	Parts No.	Description	Q'ty						I	R
				(A)	(B)	(C)	(D)	(E)	(F)		
1	1	119623-21700	CRANKSHAFT ASSY	1							
2	2	129100-01580	PIN, M8X16	1							
4	2	119644-21200	GEAR, CRANKSHAFT	1							
5	2	22512-040120	KEY, 4X 12	1							
7	1	119660-21651	V-PULLEY	1							
8	1	119621-21680	BOLT, FLANGE 12X1.25	1							
9	1	119620-21941	WASHER	1							
10	1	121111-21501	BOLT, FLYWHEEL	5							
11	1	119688-21590	FLYWHEEL ASSY	1							
13	2	119865-21600	GEAR, RING	1							
14	1	119623-22080	PISTON ASSY	3							
16	2	119623-22500	RING SET, PISTON	3							
20	1	114350-22301	PIN, PISTON D=21	3							
21	1	22252-000210	RING, 21	6							
22	1	719620-23100	ROD ASSY, CONNECTING	3							
24	2	119620-23910	BEARING, PISTON PIN	3							1
26	2	105225-23200	BOLT, CONNECTING ROD	6							
29	1	119623-22900	PISTON ASSY, 0.25 OS	3							2
31	2	119623-22950	RING SET, 0.25 OS	3							2
35	1	719620-23610	BEARING ASSY, 0.25	3							3
37	1	719620-23600	BEARING, CRANK PIN	3							

N:Old $\frac{New}{Old}$ New, Q:Old $\frac{New}{Old}$ New, R:Old $\frac{New}{Old}$ New, S:Old $\frac{New}{Old}$ New, W:Add, Z:Discontinued, F:Interchangeable by set, K:Q'ty Change
Copyright (C) YANMAR CO., LTD. All Rights Reserved.

OCV10-M48200

Fig.9. LUB.OIL SYSTEM

9.LUB.OIL SYSTEM

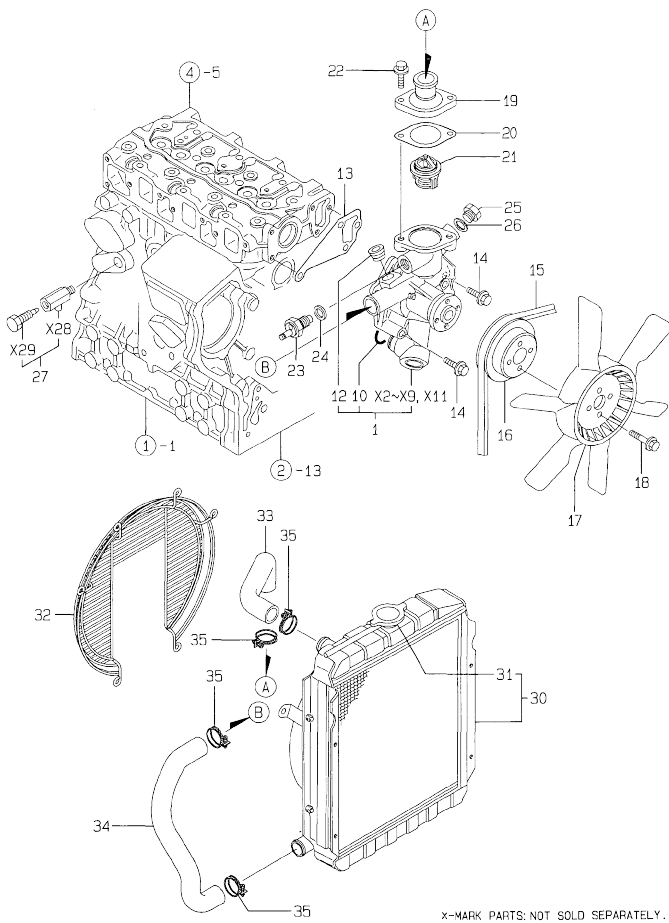


No.	Lev.	Parts No.	Description	Q'ty						I	R
				(A)	(B)	(C)	(D)	(E)	(F)		
1	1	119660-32001	PUMP ASSY, OIL	1							
11	1	119660-32020	GASKET, PUMP	1							
12	1	26450-060202	BOLT, M6X 20	3							
13	1	121520-34810	GUIDE, DIPSTICK	1							
14	1	119600-34820	DIPSTICK, OIL	1							
15	1	119660-35102	BRACKET, FILTER	1							
16	1	119660-35113	GASKET	1							
17	1	119305-35150	FILTER, OIL	1							
18	1	119660-35300	VALVE ASSY, CONTROL	1							
26	1	129150-35350	NUT	1							
27	1	24311-000160	O-RING, 1AP16.0	1							
28	1	26106-080202	BOLT, M8X 20 PLATED	3							
29	1	119600-35091	PIPE ASSY, OIL INLET	1							
30	1	24311-000120	O-RING, 1AP12.0	1							
31	1	26106-060102	BOLT, M6X 10 PLATED	2							
32	1	124160-39450	SWITCH, 0.5KG	1							

N:Old $\frac{100}{100}$ New, Q:Old $\frac{100}{100}$ New, R:Old $\frac{100}{100}$ New, S:Old $\frac{100}{100}$ New, W:Add, Z:Discontinued, F:Interchangeable by set, K:Q'ty Change
 Copyright (C) YANMAR CO., LTD. All Rights Reserved.

Fig.10. COOLING WATER SYSTEM

10. COOLING WATER SYSTEM

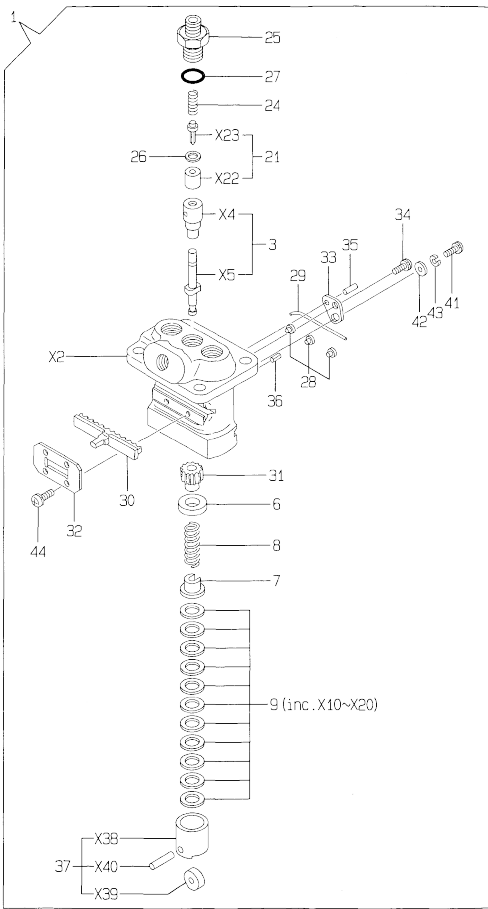


No.	Lev.	Parts No.	Description	Q'ty						I	R
				(A)	(B)	(C)	(D)	(E)	(F)		
1	1	119660-42004	PUMP ASSY, WATER	1							
10	2	119620-42320	O-RING	1							
12	2	23871-030000	PLUG, R03	1							
13	1	119620-42020	GASKET, WATER PUMP	1							
14	1	26106-080452	BOLT, M8X 45 PLATED	4							
15	1	119650-42291	V-BELT, 35	1							
16	1	119660-42350	V-PULLEY	1							
17	1	124700-44740	FAN, COOLING 5X310	1							
18	1	26014-060162	BOLT, M6X 16	4							
19	1	129350-49530	COVER, THERMOSTAT	1							
20	1	129350-49541	GASKET	1							
21	1	129350-49800	THERMOSTAT, 71	1							
22	1	26106-080202	BOLT, M8X 20 PLATED	2							
23	1	121250-44901	SWITCH, 110	1							
24	1	124465-44950	GASKET, 16	1							
25	1	121450-42450	PLUG, M16	1							
26	1	124465-44950	GASKET, 16	1							
27	1	119620-49290	COCK ASSY, 1/4	1							
30	1	119621-44500	RADIATOR	1							
31	2	119259-44570	CAP, RADIATOR	1							
32	1	119621-44560	GUARD	1							
33	1	119688-49010	PIPE, WATER	1							
34	1	119280-49020	PIPE, WATER	1							
35	1	23010-038000	CLAMP, 38	4							

X-MARK PARTS: NOT SOLD SEPARATELY.
 N:Old $\frac{New}{Old}$ New, Q:Old $\frac{New}{Old}$ New, R:Old $\frac{New}{Old}$ New, S:Old $\frac{New}{Old}$ New, W:Add, Z:Discontinued, F:Interchangeable by set, K:Q'ty Change
 Copyright (C) YANMAR CO., LTD. All Rights Reserved.

Fig.11. FUEL INJECTION PUMP

11.FUEL INJECTION PUMP

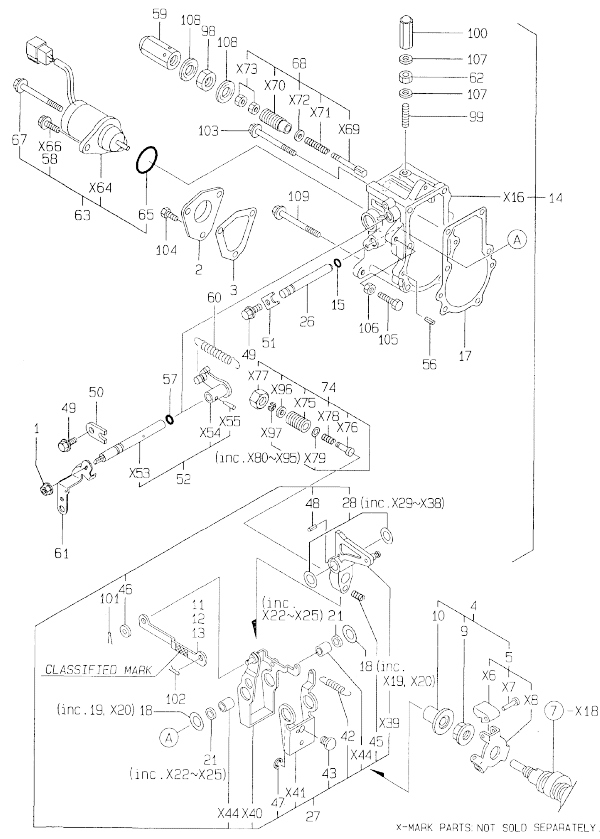


No.	Lev.	Parts No.	Description	Q'ty						I	R
				(A)	(B)	(C)	(D)	(E)	(F)		
1	1	719621-51100	PUMP ASSY, INJECTION	1							
3	2	119620-51101	PLUNGER ASSY	3							
6	2	119620-51170	RETAINER, SPRING A	3							
7	2	119620-51180	RETAINER, SPRING B	3							
8	2	119620-51190	SPRING, PLUNGER	3							
9	2	119620-51250	SHIM SET	3							
21	2	119620-51300	VALVE ASSY, DELIVERY	3							
24	2	105546-51330	SPRING, DELIVERY	3							
25	2	119620-51340	HOLDER, DELIVERY	3							
26	2	119620-51350	GASKET	3							
27	2	119620-51370	O-RING	3							
28	2	119620-51450	PIECE	3							
29	2	119620-51461	PIN	1							
30	2	119660-51500	RACK, CONTROL	1							
31	2	119620-51510	PINION	3							
32	2	119660-51530	RETAINER, RACK	1							
33	2	119620-51650	PLATE	2							
34	2	119620-51660	SCREW	2							
35	2	119620-51670	PIN	2							
36	2	119620-51680	PIN	1							
37	2	119620-51700	TAPPET ASSY	3							
41	2	26587-040102	SCREW, M4X10	2							
42	2	22137-040000	WASHER, 4	2							
43	2	22217-040000	WASHER, SPRING 4	2							
44	2	26022-040082	SCREW, M4X 8	4							

N:Old $\frac{New}{Old}$ New, Q:Old $\frac{New}{Old}$ New, R:Old $\frac{New}{Old}$ New, S:Old $\frac{New}{Old}$ New, W:Add, Z:Discontinued, F:Interchangeable by set, K:Q'ty Change
 Copyright (C) YANMAR CO., LTD. All Rights Reserved.

Fig.12. GOVERNOR

12. GOVERNOR



Remarks

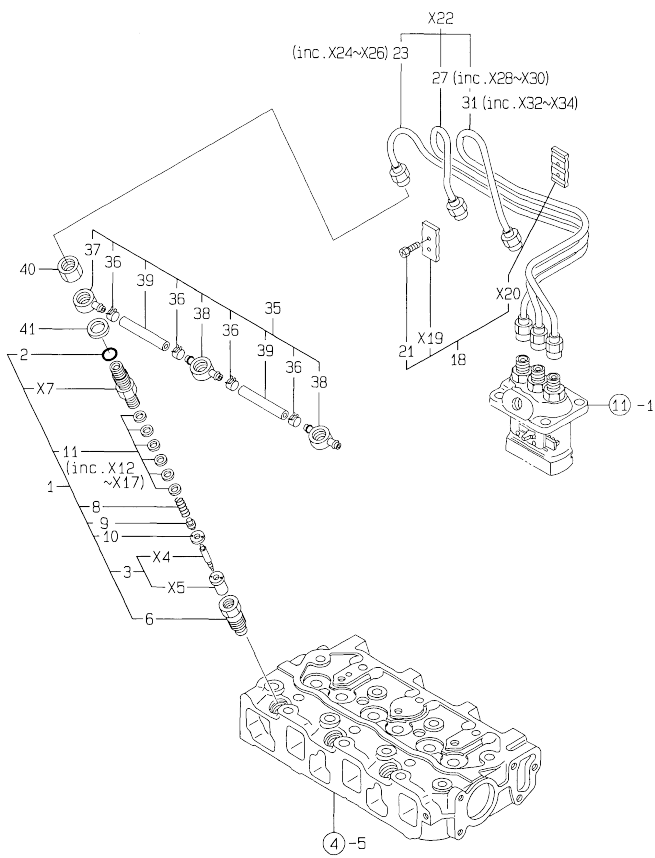
(1) SELECTIVE PARTS: CERTAIN THE CLASSIFICATION MARK, THEN PLACE YOUR ORDER(REFER TO ILLUSTRATION)

No.	Lev.	Parts No.	Description	Q'ty						I	R
				(A)	(B)	(C)	(D)	(E)	(F)		
1	1	194990-22050	NUT, M8								
2	1	119660-61060	COVER, GOVERNOR CASE								
3	1	119660-61071	GASKET								
4	1	119600-61100	DRIVE ASSY								
5	2	119600-61200	WEIGHT ASSY, GOVERNOR								
9	2	119660-61300	NUT								
10	2	119660-61341	SLEEVE								
11	1	119660-61121	LINK, NO MARK								1
12	1	119660-61140	LINK, MARK .2								1
13	1	119660-61150	LINK, MARK .3								1
14	1	119632-61200	CASE ASSY, GOVERNOR								
15	2	129155-51280	O-RING, S6								
17	2	119660-61052	GASKET								
18	2	119660-61460	SHIM SET								
21	2	129155-61480	SPACER ASSY								
26	2	119660-61491	SHAFT								
27	2	119232-61510	LEVER ASSY, GOVERNOR								
28	3	174307-51700	SHIM SET								
42	3	119232-61540	SPRING								
43	3	119600-61541	SHIFTER								
45	3	119660-61651	SPRING, STARTING								
46	3	22117-040000	WASHER, 4								
47	3	22272-000040	RING, E- 4								
48	3	22351-030014	PIN, SPRING 3.0X14								
49	2	26106-060102	BOLT, M6X 10 PLATED								
50	2	119600-61900	RETAINER, SHAFT								
51	2	119660-61901	RETAINER, SHAFT								
52	2	119285-66080	SHAFT ASSY								
56	2	22351-040010	PIN, SPRING 4.0X10								
57	2	24341-000070	O-RING, 1AS7.0								
58	1	121465-59950	BOLT, M6X16								
59	1	129100-61930	NUT, CAP								
60	1	119789-66010	SPRING, REGULATOR								
61	1	119621-66051	LEVER, REGULATOR								
62	1	124550-66370	NUT, M6								
63	1	119653-66500	STOPPER ASSY								
65	2	24341-000280	O-RING, 1AS28.0								
67	2	26106-060952	BOLT, M6X 95 PLATED								
68	1	119629-61510	LIMITER ASSY, FUEL								
74	1	119610-66700	ANGLEICH ASSY								
98	1	26776-120002	NUT, LOCK M12								
99	1	171002-66830	SCREW								
100	1	119600-66840	NUT, CAP								
101	1	22360-040000	PIN, SNAP 4								
102	1	22360-060000	PIN, SNAP 6								
103	1	26106-060702	BOLT, M6X 70 PLATED								
104	1	26116-050102	BOLT, M5X 10 PLATED								
105	1	26116-060304	BOLT, M6X 30 PLATED								
106	1	26756-060002	NUT, LOCK M6								
107	1	22190-060003	SEAL WASHER 6								
108	1	22190-120002	WASHER, SEAL 12								

N:Old $\frac{New}{Old}$ New, Q:Old $\frac{New}{Old}$ New, R:Old $\frac{New}{Old}$ New, S:Old $\frac{New}{Old}$ New, W:Add, Z:Discontinued, F:Interchangeable by set, K:Q'ty Change
 ++ CONTINUE ++
 Copyright (C) YANMAR CO., LTD. All Rights Reserved.

Fig.13. FUEL INJECTION VALVE

13.FUEL INJECTION VALVE



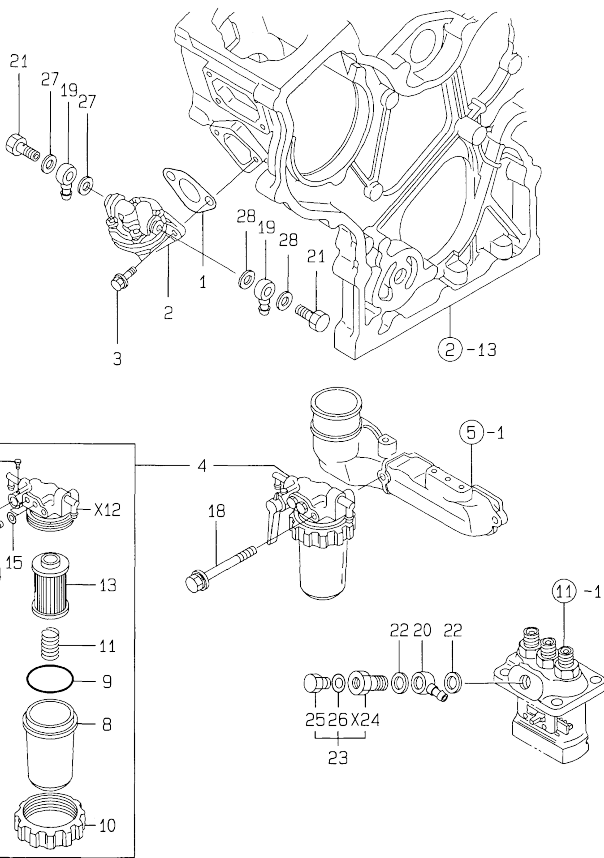
No.	Lev.	Parts No.	Description	Q'ty						I	R	
				(A)	(B)	(C)	(D)	(E)	(F)			
1	1	719255-53100	VALVE ASSY,INJECTION	3								
1-1	1	719620-53100	VALVE ASSY,INJECTION	3								M
2	2	129155-61830	O-RING, S10	3								
3	2	119620-53000	VALVE ASSY,INJECTION	3								
6	2	119620-53080	NUT, NOZZLE	3								
8	2	119620-53120	SPRING, NOZZLE	3								
9	2	114250-53130	SEAT, SPRING	3								
10	2	119620-53140	SPACER, VALVE STOP	3								
11	2	114250-53400	SHIM SET	3								
18	1	129150-59120	RETAINER, PIPE	1								
21	2	129150-59131	BOLT, M4X14	2								
23	2	119620-59811	PIPE ASSY, INJECTION	1								
27	2	119620-59821	PIPE ASSY, INJECTION	1								
31	2	119620-59831	PIPE ASSY, INJECTION	1								
35	1	119620-59540	PIPE ASSY, FUEL	1								
36	2	124066-59100	CLIP, HOSE 8	4								
37	2	119260-59520	JOINT	1								
38	2	119260-59530	JOINT	2								
39	2	105025-59550	PIPE, FUEL RETURN	2								
40	1	119620-59700	NUT, NOZZLE	3								
41	1	23414-140000	GASKET, 14X1.0	3								

Remarks
(M) MISPRINT.

OCV10-M48200

Fig.14. FUEL FILTER

14.FUEL FILTER

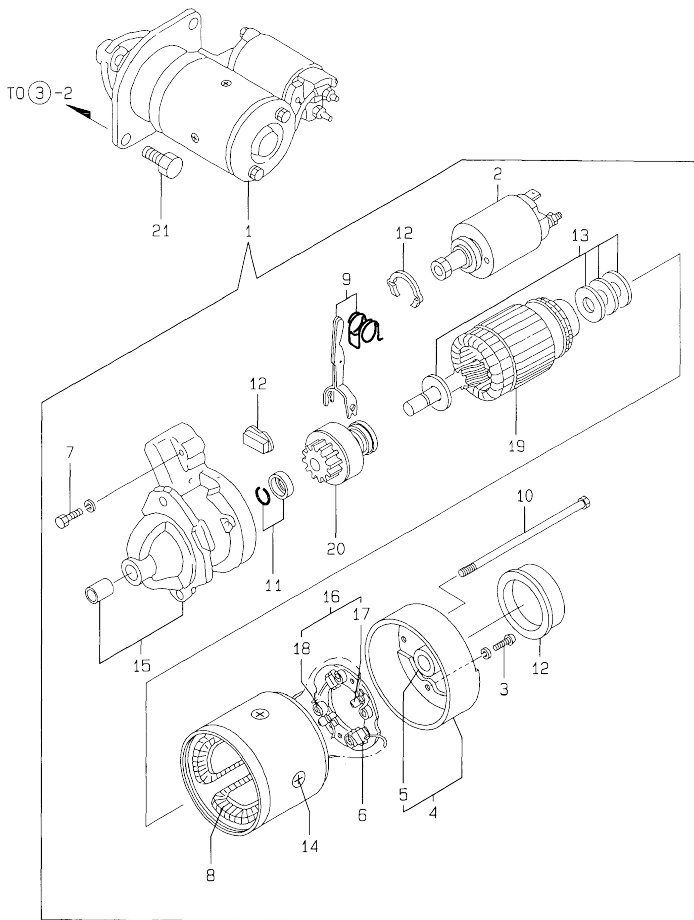


No.	Lev.	Parts No.	Description	Q'ty						I	R
				(A)	(B)	(C)	(D)	(E)	(F)		
1	1	121520-01851	GASKET	1							
2	1	119600-52021	PUMP ASSY, FUEL FEED	1							
3	1	26106-060162	BOLT, M6X 16 PLATED	2							
4	1	171059-55600	FILTER ASSY, FUEL	1							
5	2	104200-55321	VALVE, TAPER	1							
6	2	104200-55330	SPRING, VALVE	1							
7	2	104200-55341	HANDLE	1							
8	2	121254-55510	COVER	1							
9	2	102103-55520	O-RING	1							
10	2	110250-55610	RING, RETAINING	1							
11	2	121250-55620	SPRING	1							
13	2	124550-55700	FILTER, FUEL L=90	1							
14	2	101720-55750	PLUG, 6	2							
15	2	23418-060000	GASKET, 6X1.0	2							
16	2	104200-55750	SCREW, M4	1							
17	2	24311-240100	O-RING, 1AP10A	1							
18	1	26014-080702	BOLT, M8X 70	1							
19	1	104264-59030	JOINT, PIPE 8	2							
20	1	101304-59020	JOINT, PIPE 12	1							
21	1	105582-59150	BOLT, PIPE JOINT	2							
22	1	104200-59170	GASKET, 12	2							
23	1	103854-59191	BOLT ASSY, JOINT M12	1							
25	2	124060-59380	PLUG, 6	1							
26	2	22190-060002	WASHER, SEAL 6	1							
27	1	22190-080002	WASHER, SEAL 6	2							
28	1	22190-080002	WASHER, SEAL 6	2							

N:Old $\frac{New}{Old}$ New, Q:Old $\frac{New}{Old}$ New, R:Old $\frac{New}{Old}$ New, S:Old $\frac{New}{Old}$ New, W:Add, Z:Discontinued, F:Interchangeable by set, K:Qty Change
 Copyright (C) YANMAR CO., LTD. All Rights Reserved.

Fig.15. STARTING MOTOR

15. STARTING MOTOR



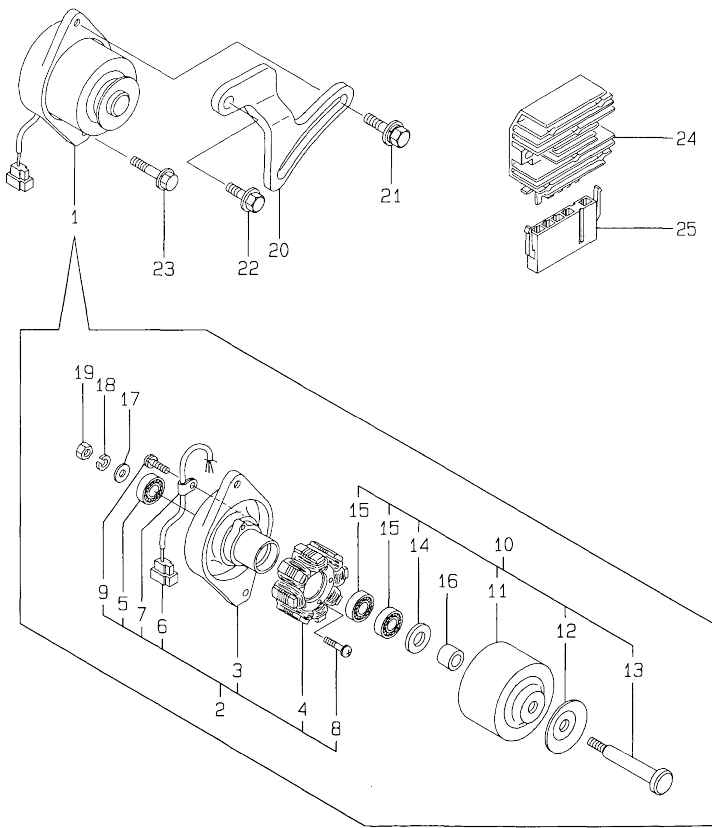
No.	Lev.	Parts No.	Description	Q'ty						I	R
				(A)	(B)	(C)	(D)	(E)	(F)		
1	1	119631-77010	STARTER	1							
2	2	X2114275070	SWITCH, MAGNETIC	1							
3	2	X2114283500	SCREW SET	1							
4	2	X2114430010	COVER ASSY, REAR	1							
5	3	X2114535200	METAL, STARTER	1							
6	2	X2114531200	BRUSH (+)	2							
7	2	X2114586700	BOLT M6X 37	2							
8	2	X2114631090	COIL ASSY, FIELD	1							
9	2	X2114660130	LEVER KIT, SHIFT	1							
10	2	X2114680050	BOLT, THROUGH	2							
11	2	X2114715500	STOPPER SET, PINION	1							
12	2	X2114780060	COVER ASSY, DUST	1							
13	2	X2114811000	WASHER KIT, THRUST	1							
14	2	X2114821500	SCREW SET	1							
15	2	X2114966130	CASE ASSY, GEAR	1							
16	2	X2114990010	HOLDER ASSY, BRUSH	1							
17	3	X2114831300	BRUSH (-)	1							
18	3	X2114931400	SPRING, BRUSH	3							
19	2	124190-77110	ARMATURE, (NON-ASB.)	1							
20	2	124190-77760	PINION ASSY	1							
21	1	26116-120252	BOLT, M12X 25 PLATED	2							

N:Old $\frac{100}{100}$ New, Q:Old $\frac{100}{100}$ New, R:Old $\frac{100}{100}$ New, S:Old $\frac{100}{100}$ New, W:Add, Z:Discontinued, F:Interchangeable by set, K:Qty Change
 Copyright (C) YANMAR CO., LTD. All Rights Reserved.

OCV10-M48200

Fig.16. GENERATOR

16. GENERATOR

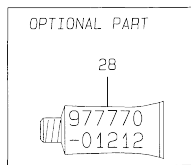
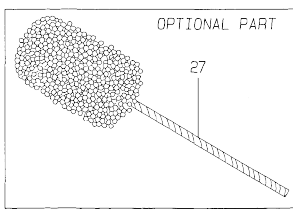
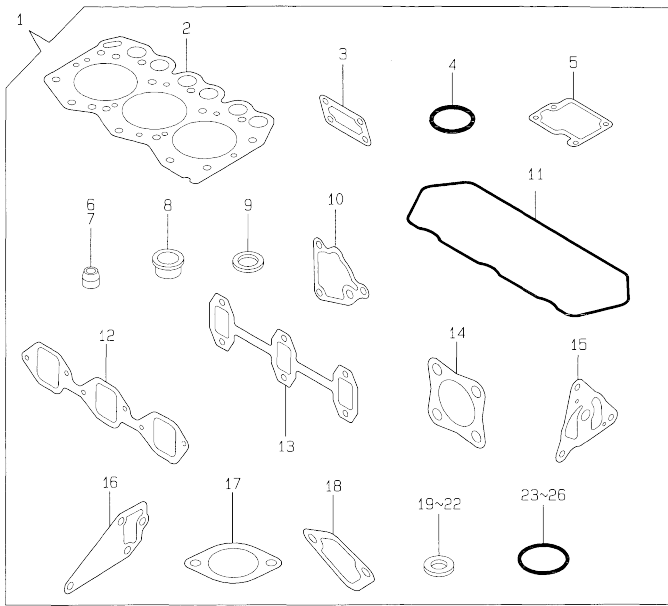


No.	Lev.	Parts No.	Description	Q'ty						I	R
				(A)	(B)	(C)	(D)	(E)	(F)		
1	1	171301-77201	DYNAMO ASSY, 15A	1							
2	2	XM08137	PLATE ASSY	1							
3	3	XM08138	PLATE	1							
4	3	XM08180	STATOR ASSY	1							
5	3	XM27436	BALL BEARING	1							
6	3	XM17878	COUPLER	1							
7	3	XM36410	CLAMP	1							
8	3	26022-040252	SCREW, M4X25	2							
9	3	XYSPS4008	SCREW	1							
10	2	XM82184	FLYWHEEL ASSY	1							
11	3	XM82110	FLYWHEEL	1							
12	3	XM72174	PULLEY	1							
13	3	XM72664	SHAFT	1							
14	3	XM37336	WASHER	1							
15	3	XM27436	BALL BEARING	2							
16	2	106383-44720	SPACER	1							
17	2	106383-44730	WASHER	1							
18	2	22212-100000	WASHER 10,SPRING	1							
19	2	26716-100002	NUT, M10	1							
20	1	119600-77330	ADJUSTER	1							
21	1	26014-080252	BOLT, M8X 25	1							
22	1	26106-080162	BOLT, M8X 16 PLATED	1							
23	1	26106-100402	BOLT, M10X 40 PLATED	1							
24	1	119660-77710	LIMITER, CURRENT 15A	1							
25	1	171301-77720	COUPLER	1							

OCV10-M48200

Fig.17. GASKET SET

17. GASKET SET



Remarks
(1) OPTIONAL PART.

No.	Lev.	Parts No.	Description	Q'ty						I	R	
				(A)	(B)	(C)	(D)	(E)	(F)			
1	1	719789-92600	GASKET SET	1							1	
2	2	119623-01330	GASKET, HEAD	1								
3	2	119660-01562	GASKET	1								
4	2	24311-000320	O-RING, 1AP32.0	1								
5	2	119620-03031	GASKET	1								
6	2	124950-11340	SEAL, VALVE STEM	3								
7	2	124160-11340	SEAL, VALVE STEM	3								
8	2	119600-11450	PROTECTOR, NOZZLE	3								
9	2	119600-11460	GASKET, NOZZLE	6								
10	2	119660-35113	GASKET	1								
11	2	119620-11310	GASKET, BONNET	1								
12	2	119660-12111	GASKET, MANIFOLD	1								
13	2	119620-13110	GASKET	1								
14	2	121000-13201	GASKET, SILENCER	2								
15	2	119660-32020	GASKET, PUMP	1								
16	2	119620-42020	GASKET, WATER PUMP	1								
17	2	129350-49541	GASKET	1								
18	2	121520-01851	GASKET	1								
19	2	124465-44950	GASKET, 16	2								
20	2	104200-59170	GASKET, 12	2								
21	2	23414-140000	GASKET, 14X1.0	3								
22	2	22190-080002	WASHER, SEAL 6	4								
23	2	24311-000120	O-RING, 1AP12.0	4								
24	2	129155-61830	O-RING, S10	3								
25	2	24341-000240	O-RING, 1AS24.0	1								
26	2	24341-000250	O-RING, 1AS25.0	1								
27	1	129400-92410	FLEX HORN	1								1
28	1	977770-01212	GASKET, LIQUID	1								1

N:Old $\frac{100}{100}$ New, Q:Old $\frac{100}{100}$ New, R:Old $\frac{100}{100}$ New, S:Old $\frac{100}{100}$ New, W:Add, Z:Discontinued, F:Interchangeable by set, K:Qty Change
Copyright (C) YANMAR CO., LTD. All Rights Reserved.

Parts No. Index

Parts No.	Fig. No.	Ref. No.	Parts No.	Fig. No.	Ref. No.	Parts No.	Fig. No.	Ref. No.	Parts No.	Fig. No.	Ref. No.
101304-59020	14	20	119600-77330	16	20	119620-51370	11	27	119660-01821	7	16
101720-55750	14	14	119610-01490	2	13	119620-51450	11	28	119660-01911	2	4
102103-55520	14	9	119610-01590	2	1	119620-51461	11	29	119660-12101	5	1
103854-59191	14	23	119610-66700	12	74	119620-51510	11	31	119660-12111	5	2
104200-55321	14	5	119620-01200	1	20	119620-51650	11	33		17	12
104200-55330	14	6	119620-01620	3	6	119620-51680	11	34	119660-21651	8	7
104200-55341	14	7	119620-01750	3	4	119620-51670	11	35	119660-25022	7	8
104200-55750	14	16	119620-01800	2	3	119620-51680	11	36	119660-25052	7	9
104200-59170	14	22	119620-02020	1	5	119620-51700	11	37	119660-32001	9	1
	17	20	119620-02410	1	18	119620-53000	13	3	119660-32020	9	11
104211-11370	4	21	119620-02450	7	4	119620-53080	13	6		17	15
104264-59030	14	19	119620-03020	4	45	119620-53120	13	8	119660-35102	9	15
105010-11230	4	32	119620-03031	4	46	119620-53140	13	10	119660-35113	9	16
		36		17	5	119620-59540	13	35		17	10
105025-59550	13	39	119620-11110	4	15	119620-59700	13	40	119660-35300	9	18
105225-23200	8	26	119620-11120	4	16	119620-59811	13	23	119660-42004	10	1
105546-51330	11	24	119620-11180	4	17	119620-59821	13	27	119660-42350	10	16
105582-59150	14	21	119620-11240	4	26	119620-59831	13	31	119660-51500	11	30
106383-44720	16	16	119620-11260	4	29	119620-77820	4	56	119660-51530	11	32
106383-44730	16	17	119620-11280	4	30	119621-21680	8	8	119660-61052	12	17
110250-55610	14	10	119620-11310	4	48	119621-44500	10	30	119660-61060	12	2
114250-53130	13	9		17	11	119621-44560	10	32	119660-61071	12	3
114250-53400	13	11	119620-11350	4	41	119621-66051	12	61	119660-61121	12	11
114350-22301	8	20	119620-11390	4	49	119623-01330	1	21	119660-61140	12	12
119232-61510	12	27	119620-11801	4	8		17	2	119660-61150	12	13
119232-61540	12	42	119620-13110	6	2	119623-01950	2	21	119660-61300	12	9
119259-44570	10	31		17	13	119623-11100	4	14	119660-61341	12	10
119260-07900	4	2	119620-13501	6	11	119623-21700	8	1	119660-61460	12	18
119260-59520	13	37	119620-13510	6	12	119623-22080	8	14	119660-61491	12	26
119260-59530	13	38	119620-13520	6	13	119623-22500	8	16	119660-61651	12	45
119280-01600	3	2	119620-13560	6	14	119623-22900	8	29	119660-61901	12	51
119280-49020	10	34	119620-14100	7	6	119623-22950	8	31	119660-77710	16	24
119285-66080	12	52	119620-14200	7	1	119629-14580	7	3	119688-21590	8	11
119305-35150	9	17	119620-14401	7	2	119629-61510	12	68	119688-49010	10	33
119358-13640	6	16	119620-21941	8	9	119631-13101	6	1	119789-11200	4	25
119600-01050	1	4	119620-23910	8	24	119631-77010	15	1	119789-12600	5	11
119600-01722	3	11	119620-25102	7	10	119632-61200	12	14	119789-66010	12	60
119600-01770	3	12	119620-25912	7	12	119644-21200	8	4	119807-11770	4	50
119600-11450	4	22	119620-42020	10	13	119650-42291	10	15	119808-12540	5	9
	17	8		17	16	119653-12500	5	5	119840-13150	6	3
119600-11460	4	23	119620-42320	10	10	119653-12550	5	10	119865-12600	5	12
	17	9	119620-49290	10	27	119653-66500	12	63	119865-21600	8	13
119600-34820	9	14	119620-51101	11	3	119655-12560	5	7	121000-13201	6	4
119600-35091	9	29	119620-51170	11	6	119657-11350	4	44			10
119600-52021	14	2	119620-51180	11	7	119660-01510	2	15		17	14
119600-61100	12	4	119620-51190	11	8	119660-01551	2	18	121023-01550	2	30
119600-61200	12	5	119620-51250	11	9	119660-01562	2	19	121111-21501	8	10
119600-61541	12	43	119620-51300	11	21		17	3	121120-01620	3	3
119600-61900	12	50	119620-51340	11	25	119660-01570	2	20	121250-44901	10	23
119600-66840	12	100	119620-51350	11	26	119660-01640	3	7	121250-55620	14	11

Parts No. Index

Parts No.	Fig. No.	Ref. No.
121254-55510	14	8
121450-01560	2	16
121450-42450	10	25
121465-59950	12	58
121520-01851	14	1
	17	18
121520-34810	9	13
121850-11860	4	11
121855-13821	6	17
121855-13830	6	18
123500-13840	6	19
124060-59380	14	25
124066-59100	13	36
124085-02220	3	9
124160-01751	2	11
124160-11340	4	19
	17	7
124160-11360	4	53
124160-39450	9	32
124190-77110	15	19
124190-77760	15	20
124465-44950	10	24
	26	19
	17	19
124550-55700	14	13
124550-66370	12	62
124664-13580	6	15
124700-44740	10	17
124950-11340	4	20
	17	6
129100-01580	3	1
	8	2
129100-61930	12	59
129150-35350	9	26
129150-59120	13	18
129150-59131	13	21
129155-51280	12	15
129155-61480	12	21
129155-61830	13	2
	17	24
129350-49530	10	19
129350-49541	10	20
	17	17
	10	21
129400-92410	17	27
129795-77800	4	55
171002-66830	12	99
171059-55600	14	4
171301-01640	3	13
171301-77201	16	1

Parts No.	Fig. No.	Ref. No.
171301-77720	16	25
174307-51700	12	28
194990-22050	2	28
	6	5
	26	26
	12	1
22117-040000	12	46
22137-040000	11	42
22190-060002	14	26
22190-060003	12	107
22190-080002	14	27
	28	28
	17	22
	12	108
22190-120002	16	18
22212-100000	11	43
22217-040000	4	51
22217-050000	4	39
22242-000120	7	14
22242-000200	8	21
22252-000210	12	47
22272-000040	12	48
22351-030014	2	17
22351-040010	12	56
	4	24
22351-060012	12	101
22360-040000	12	102
22360-060000	7	7
22512-040120	8	5
	5	16
23000-054000	10	35
23010-038000	4	1
23065-120500	13	41
23414-140000	17	21
	14	15
23418-060000	1	8
23871-010000	10	12
23871-030000	7	22
24101-062034	7	21
24102-063034	2	5
24311-000120	4	54
	9	30
	17	23
24311-000160	9	27
24311-000320	2	12
	17	4
24311-240100	14	17
24341-000070	12	57
24341-000240	2	31

Parts No.	Fig. No.	Ref. No.
24341-000240	17	25
24341-000250	3	15
	17	26
	12	65
24341-000280	10	18
26014-060162	16	21
26014-080252	14	18
26014-080702	11	44
26022-040082	16	8
26022-040252	9	31
26106-060102	12	49
	1	19
26106-060122	3	16
	5	17
	7	15
26106-060162	2	6
	5	3
	7	23
	14	3
26106-060182	2	32
26106-060222	3	10
26106-060302	2	7
26106-060402	5	4
	6	25
26106-060452	3	17
26106-060602	2	8
	9	9
26106-060702	12	103
26106-060752	12	109
26106-060802	2	10
26106-060952	12	67
26106-080142	4	3
	5	4
	5	18
26106-080162	16	22
26106-080202	9	28
	10	22
26106-080402	6	6
26106-080452	4	42
	10	14
26106-080552	6	20
26106-100402	16	23
26116-050102	12	104
26116-060304	12	105
26116-120252	15	21
26206-100252	3	5
26216-080222	6	7
26216-080552	6	8
26216-080702	6	9
26347-040002	6	21

Parts No.	Fig. No.	Ref. No.
26347-060002	6	22
26366-060002	2	29
26366-080002	4	43
	6	23
26450-060202	9	12
26557-040352	6	24
26557-050102	4	52
26587-040102	11	41
26587-080102	7	24
26716-100002	16	19
26756-060002	4	34
	38	38
	12	106
26776-120002	12	98
26979-050162	4	40
27221-050080	4	12
27231-450000	1	9
27241-120000	1	10
27241-300000	1	11
27241-400000	4	13
27310-070001	4	18
719255-53100	13	1
719620-02800	1	12
719620-02870	1	22
719620-02930	1	15
719620-23100	8	22
719620-23600	8	37
719620-23610	8	35
719620-53100	13	1 -1
719621-51100	11	1
719623-01560	1	1
719623-11700	4	5
719660-14590	7	17
719789-11650	4	31
719789-11660	4	35
719789-92600	17	1
977770-01212	2	33
	3	18
	17	28
X2114275070	15	2
X2114283500	15	3
X2114430010	15	4
X2114531200	15	6
X2114535200	15	5
X2114586700	15	7
X2114631090	15	8
X2114660130	15	9
X2114680050	15	10
X2114715500	15	11
X2114780060	15	12

Parts No. Index

Parts No.	Fig. No.	Ref. No.
X2114811000	15	13
X2114821500	15	14
X2114831300	15	17
X2114931400	15	18
X2114966130	15	15
X2114990010	15	16
XM08137	16	2
XM08138	16	3
XM08180	16	4
XM17878	16	6
XM27436	16	5
		15
		7
XM36410	16	7
XM37336	16	14
XM72174	16	12
XM72664	16	13
XM82110	16	11
XM82184	16	10
XYSPS4008	16	9

Parts No.	Fig. No.	Ref. No.
-----------	----------	----------

Parts No.	Fig. No.	Ref. No.
-----------	----------	----------

Parts No.	Fig. No.	Ref. No.
-----------	----------	----------