

OCD10-M50300EN

## 記載対象機種

The following models are described in the parts catalog.

機種名 Model	作業機メーカー Manufacturer's name	搭載商品名 Product equipped with the Model	備考 Note
3TNE74-DW	デンヨー(株) Denyo Co.,Ltd	PCX-70SS II	溶接機

## Contents

OCD10-M50300

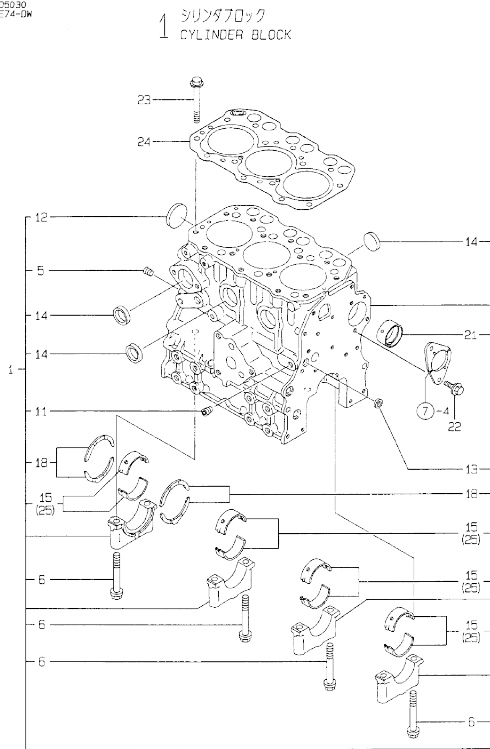
Fig. No.	Fig. Name	Fig. No.	Fig. Name
3TNE74-DW			
1.	CYLINDER BLOCK		
2.	GEAR HOUSING		
3.	FLYWHEEL HOUSING & OIL SUMP		
4.	CYLINDER HEAD & BONNET		
5.	SUCTION MANIFOLD & AIR CLEANER		
6.	EXHAUST MANIFOLD		
7.	CAMSHAFT & DRIVING GEAR		
8.	CRANKSHAFT & PISTON		
9.	LUB OIL SYSTEM		
10.	COOLING WATER SYSTEM		
11.	FUEL INJECTION PUMP		
12.	GOVERNOR		
13.	FUEL INJECTION VALVE		
14.	FUEL INJECTION DEVICE		
15.	STARTING MOTOR		
16.	GENERATOR		
17.	ELECTRIC PARTS		
18.	GASKET SET		

OCD10-M50300 3TNE74-DW

Fig.1. CYLINDER BLOCK

OCD10-M50300 Fig.1

YCD05030  
3TNE74-DW



(A)=3TNE74-DW  
(B)=  
(C)=

(D)=  
(E)=  
(F)=

No.	Lev.	Parts No.	Description	Q'ty						I	R
				(A)	(B)	(C)	(D)	(E)	(F)		
1	1	719623-01560	BLOCK ASSY, CYLINDER	1							
5	2	119600-01050	PLUG, PT1/4	1							
6	2	119620-02020	BOLT, METAL CAP	8							
11	2	23871-010000	PLUG, R01	1							
12	2	27231-450000	PLUG 45	1							
13	2	27241-120000	PLUG, 12	1							
14	2	27241-300000	PLUG 30	6							
15	2	719620-02800	BEARING, MAIN	4							
18	2	719620-02930	BEARING, THRUST	2							
21	2	119620-02410	BUSH, CAMSHAFT	1							
22	1	26106-060122	BOLT, M6X 12 PLATED	2							
23	1	119620-01200	BOLT, HEAD	14							
24	1	119623-01330	GASKET, HEAD	1							G
25	1	719620-02870	BEARING, 0.25 US	4							1

Remarks

(1) UNDER-SIZE (U.S=0.25) PART.  
(G) THESE PARTS ARE SOLD BY FIG.18,  
REF.NO.1.

N:Old  $\frac{100}{100}$  New, Q:Old  $\frac{100}{100}$  New, R:Old  $\frac{100}{100}$  New, S:Old  $\frac{100}{100}$  New, W:Add, Z:Discontinued, F:Interchangeable by set, K:Qty Change  
Copyright (C) YANMAR CO., LTD. All Rights Reserved.

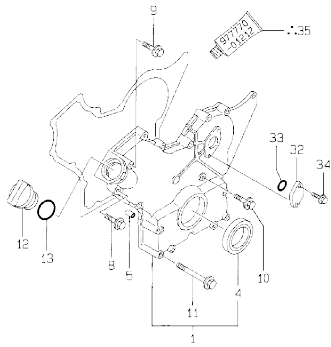
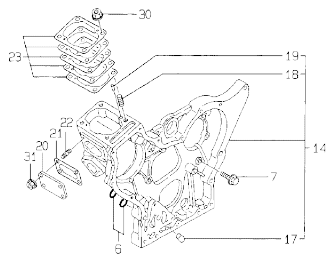
OCD10-M50300 3TNE74-DW  
 Fig.2. GEAR HOUSING

OCD10-M50300 Fig.2

Y0005030  
 3TNE74-DW

2 ギヤケース  
 GEAR HOUSING

●印は、0091000101-1  
 ●印は、15P-15  
 ●印は、15P-15



●印が今回変更 (追加) した箇所です。  
 ●MARKED PART HAS BEEN CHANGED (ADDED)

(A)=3TNE74-DW  
 (B)=  
 (C)=

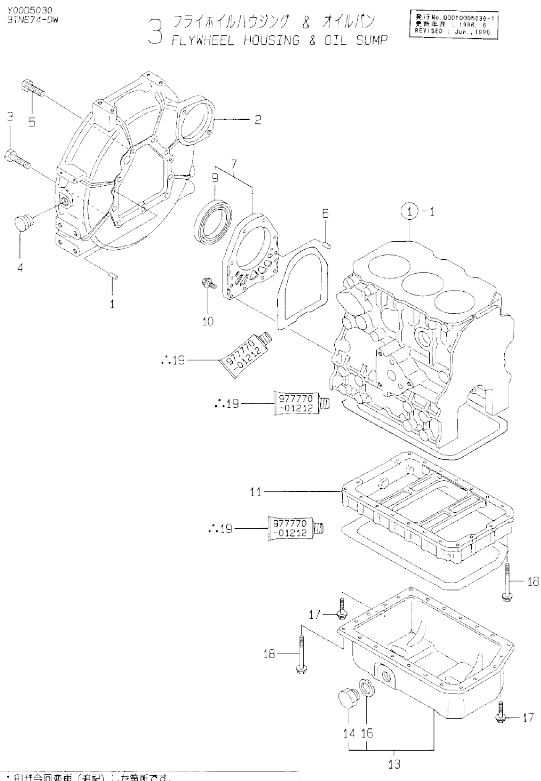
(D)=  
 (E)=  
 (F)=

No.	Lev.	Parts No.	Description	Q'ty						I	R
				(A)	(B)	(C)	(D)	(E)	(F)		
1	1	119610-01590	COVER ASSY,GEAR CASE	1							
4	2	119620-01800	SEAL, OIL	1							
5	1	119660-01911	PIPE, KNOCK	4							
6	1	24311-000120	O-RING, 1AP12.0	2							G
7	1	26106-060162	BOLT, M6X 16 PLATED	7							
8	1	26106-060302	BOLT, M6X 30 PLATED	8							
9	1	26106-060602	BOLT, M6X 60 PLATED	1							
10	1	26106-060602	BOLT, M6X 60 PLATED	3							
11	1	26106-060802	BOLT, M6X 80 PLATED	6							
12	1	124160-01751	COVER, FILLER	1							
13	1	24311-000320	O-RING, 1AP32.0	1							G
14	1	119610-01490	CASE ASSY, GEAR	1							
17	2	119660-01510	PLUG, 10X14	1							
18	2	121450-01560	STUD, M8X22	4							
19	2	22351-040010	PIN, SPRING 4.0X10	2							
20	1	119660-01551	COVER	1							
21	1	119660-01562	GASKET	1							G
22	1	119660-01570	STUD, M6X12	4							
23	1	119623-01950	SHIM SET, ADJUSTING	1							
30	1	194990-22050	NUT, M8	4							
31	1	26366-060002	NUT, M6	4							
32	1	121023-01550	COVER	1							
33	1	24341-000240	O-RING, 1AS24.0	1							G
34	1	26106-060182	BOLT, M6X 18 PLATED	2							
35	1	977770-01212	GASKET, LIQUID	1							W 1
(A=FROM 1ST)											

Remarks  
 (G) THESE PARTS ARE SOLD BY FIG.18,  
 REF.NO.1.  
 (1) OPTIONAL PART.

N:Old  $\frac{New}{100}$  New, Q:Old  $\frac{New}{100}$  New, R:Old  $\frac{New}{100}$  New, S:Old  $\frac{New}{100}$  New, W:Add, Z:Discontinued, F:Interchangeable by set, K:Qty Change  
 Copyright (C) YANMAR CO., LTD. All Rights Reserved.

Fig.3. FLYWHEEL HOUSING & OIL SUMP



(A)=3TNE74-DW  
(B)=  
(C)=

(D)=  
(E)=  
(F)=

No.	Lev.	Parts No.	Description	Q'ty						I	R
				(A)	(B)	(C)	(D)	(E)	(F)		
1	1	129100-01580	PIN, M8X16		2						
2	1	119600-01600	HOUSING, FLYWHEEL	1							
3	1	121120-01620	BOLT, M10X28		3						
4	1	119620-01750	CAP	1							
5	1	26206-100252	BOLT, M10X 25 PLATED	6							
6	1	119620-01620	PIN, M6X10	2							
7	1	119660-01640	CASE ASSY, OIL SEAL	1							
9	2	124085-02220	SEAL, OIL	1							
10	1	26106-060222	BOLT, M6X 22 PLATED	10							
11	1	119600-01722	SPACER, OIL SUMP	1							
13	1	119623-01770	SUMP ASSY, OIL	1							
14	2	119640-01640	PLUG, DRAIN M22	1							
16	2	22190-220002	WASHER, SEAL 22	1							G
17	1	26106-060122	BOLT, M6X 12 PLATED	3							
18	1	26106-060452	BOLT, M6X 45 PLATED	20							
19	1	977770-01212	GASKET, LIQUID	1							W 1

(A)=FROM 1ST)

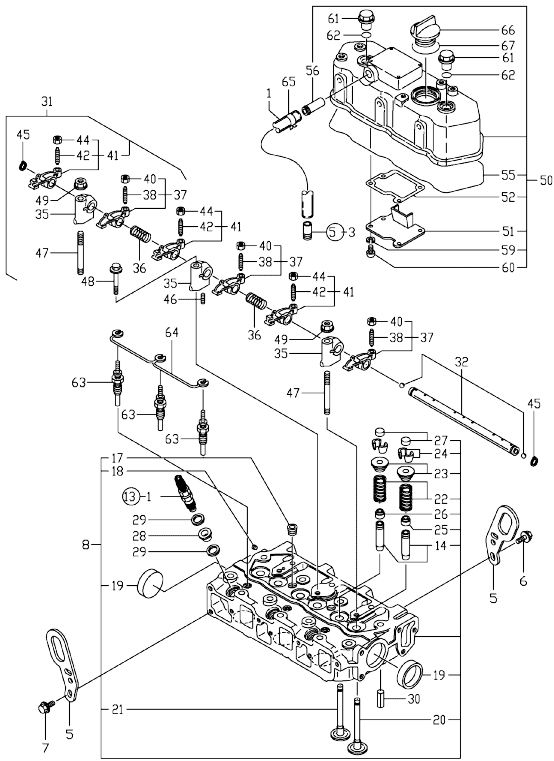
Remarks  
(G) THESE PARTS ARE SOLD BY FIG.18,  
REF.NO.1.  
(1) OPTIONAL PART.

N:Old  $\frac{New}{Old}$  New, Q:Old  $\frac{New}{Old}$  New, R:Old  $\frac{New}{Old}$  New, S:Old  $\frac{New}{Old}$  New, W:Add, Z:Discontinued, F:Interchangeable by set, K:Q'ty Change  
Copyright (C) YANMAR CO., LTD. All Rights Reserved.

Fig.4. CYLINDER HEAD & BONNET

Y0000030  
3TNE74-DW

4 シリンダヘッド ② ボンネット  
CYLINDER HEAD ② BONNET



(A)=3TNE74-DW  
(B)=  
(C)=

(D)=  
(E)=  
(F)=

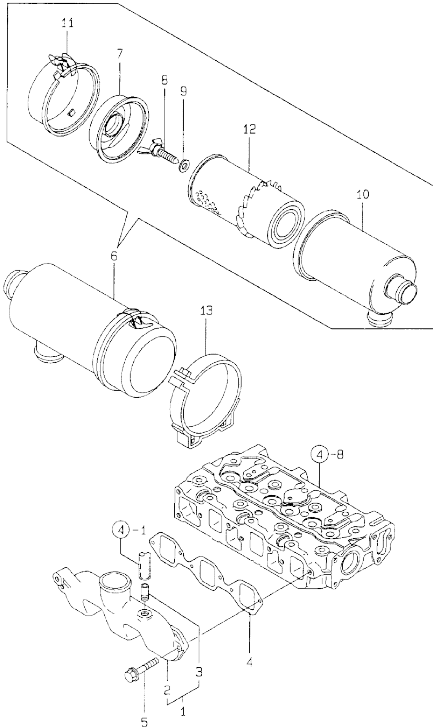
No.	Lev.	Parts No.	Description	Q'ty						I	R
				(A)	(B)	(C)	(D)	(E)	(F)		
1	1	119642-03140	PIPE, BREATHER	1							
5	1	119260-07900	LIFTER	2							
6	1	26106-080142	BOLT, M8X 14 PLATED	1							
7	1	26106-080142	BOLT, M8X 14 PLATED	2							
8	1	719623-11710	HEAD ASSY, CYLINDER	1							
14	2	119620-11801	GUIDE, VALVE	6							1
17	2	121850-11860	PLUG, PT1/4	2							
18	2	27221-050080	PLUG, 5X 8	1							
19	2	27241-400000	PLUG, 40	2							
20	2	119623-11100	VALVE, INTAKE	3							
21	2	119620-11110	VALVE, EXHAUST	3							
22	2	119620-11120	SPRING, VALVE	6							
23	2	119620-11180	RETAINER, SPRING	6							
24	2	27310-070001	COTTER, 7	6							
25	2	124160-11340	SEAL, VALVE STEM	3							G
26	2	124950-11340	SEAL, VALVE STEM	3							G
27	2	104211-11370	CAP, VALVE	6							
28	1	119600-11450	PROTECTOR, NOZZLE	3							G
29	1	119600-11460	GASKET, NOZZLE	6							G
30	1	22351-060012	PIN, SPRING 6.0X12	2							
31	1	119620-11200	SUPPORT ASSY, ARM	1							
32	2	119620-11240	SHAFT ASSY, ROCKER	1							
35	2	119620-11260	SUPPORT, ROCKER ARM	3							
36	2	119620-11280	SPRING	2							
37	2	719620-11650	ARM ASSY, ROCKER	3							
38	3	105010-11230	SCREW, VALVE ADJUST	3							
40	3	26756-060002	NUT, LOCK M6	3							
41	2	719620-11660	ARM ASSY, ROCKER	3							
42	3	105010-11230	SCREW, VALVE ADJUST	3							
44	3	26756-060002	NUT, LOCK M6	3							
45	2	22242-000120	RING, 12	2							
46	2	26979-050162	SCREW, M5X16	1							
47	1	119620-11350	STUD	2							
48	1	26106-080452	BOLT, M8X 45 PLATED	1							
49	1	26366-080002	NUT, M8	2							
50	1	119620-11330	BONNET ASSY, HEAD	1							
51	2	119620-03020	PLATE, SHELTER	1							
52	2	119620-03031	GASKET	1							G
55	2	119620-11310	GASKET, BONNET	1							G
56	2	119620-11390	JOINT	1							
59	2	22217-050000	WASHER, SPRING 5	4							
60	2	26557-050102	SCREW, M5X10	4							
61	1	124160-11360	KNOB	2							
62	1	24311-000120	O-RING, 1AP12.0	2							G
63	1	129795-77800	PLUG, GLOW	3							
64	1	119620-77820	CONNECTOR, GLOW PLUG	1							
65	1	171008-03990	CLIP, HOSE 18.5	2							
66	1	124160-01751	COVER, FILLER	1							
67	1	24311-000320	O-RING, 1AP32.0	1							

Remarks  
(1) REPAIR PART.  
(G) THESE PARTS ARE SOLD BY FIG.18,  
REF.NO.1.

Fig.5. SUCTION MANIFOLD & AIR CLEANER

Y0005030  
3TNE74-DW

5 キュウキマニホールド & エアクリーナ  
SUCTION MANIFOLD & AIR CLEANER



(A)=3TNE74-DW  
(B)=  
(C)=

(D)=  
(E)=  
(F)=

No.	Lev.	Parts No.	Description	Q'ty						I	R
				(A)	(B)	(C)	(D)	(E)	(F)		
1	1	119642-12100	MANIFOLD ASSY,INTAKE	1							
2	2	119642-12110	MANIFOLD, AIR INTAKE	1							
3	2	104207-44480	JOINT	1							
4	1	119620-12111	GASKET, MANIFOLD	1							G
5	1	26106-060202	BOLT, M6X 20 PLATED	6							
6	1	129350-12500	CLEANER ASSY, AIR	1							
7	2	121120-12541	RETAINER, ELEMENT	1							
8	2	121120-12561	BOLT	1							
9	2	121120-12571	WASHER, SEAL	1							
10	2	129350-12650	CASE ASSY, CLEANER	1							
11	2	129350-12660	PAN ASSY, DUST	1							
12	2	129350-12900	ELEMENT	1							
13	1	170903-12560	BAND, AIR CLEANER	1							

Remarks

(G)THESE PARTS ARE SOLD BY FIG.18,  
REF.NO.1.



OCD10-M50300 3TNE74-DW

Fig.6. EXHAUST MANIFOLD

OCD10-M50300 Fig.6

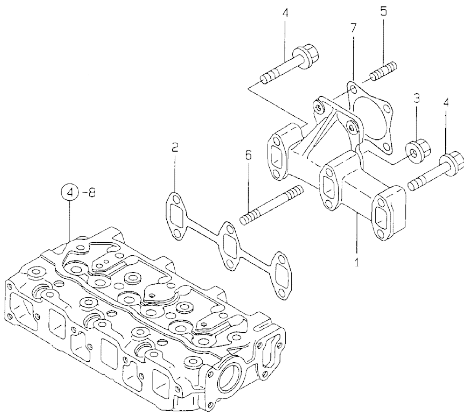
Y06E5030  
3TNE74-DW

6 ハイマニホールド  
EXHAUST MANIFOLD

(A)=3TNE74-DW  
(B)=  
(C)=

(D)=  
(E)=  
(F)=

No.	Lev.	Parts No.	Description	Q'ty						I	R
				(A)	(B)	(C)	(D)	(E)	(F)		
1	1	119600-13100	MANIFOLD, EXHAUST	1							
2	1	119620-13110	GASKET	1							G
3	1	194990-22050	NUT, M8	2							
4	1	26106-080402	BOLT, M8X 40 PLATED	4							
5	1	26216-080222	STUD, M8X 22	4							
6	1	26216-080552	STUD, M8X 55	2							
7	1	121000-13201	GASKET, SILENCER	1							G



Remarks

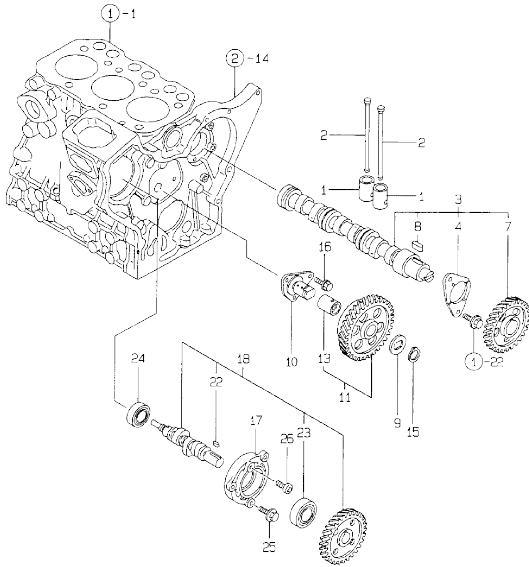
(G)THESE PARTS ARE SOLD BY FIG.18,  
REF.NO.1.

N:Old  $\frac{Y06E}{100}$  New. Q:Old  $\frac{H0}{100}$  New. R:Old  $\frac{Y06E}{100}$  New. S:Old  $\frac{H0}{100}$  New. W:Add. Z:Discontinued. F:Interchangeable by set. K:Q'ty Change  
Copyright (C) YANMAR CO., LTD. All Rights Reserved.

Fig.7. CAMSHAFT & DRIVING GEAR

Y0006000  
3TNE74-DW

7 カムシャフト & クドウギヤ  
CAMSHAFT & DRIVING GEAR



(A)=3TNE74-DW  
(B)=  
(C)=

(D)=  
(E)=  
(F)=

No.	Lev.	Parts No.	Description	Q'ty						I	R
				(A)	(B)	(C)	(D)	(E)	(F)		
1	1	119620-14200	TAPPET	6							
2	1	119620-14401	ROD, PUSH	6							
3	1	119629-14580	CAMSHAFT ASSY	1							
4	2	119620-02450	BEARING, THRUST	1							
7	2	119620-14100	GEAR, CAMSHAFT	1							
8	2	22512-040120	KEY, 4X 12	1							
9	1	119660-25022	RETAINER	1							
10	1	119660-25052	SHAFT, IDLE	1							
11	1	119620-25102	GEAR ASSY, IDLE	1							
13	2	119620-25912	BUSH	1							1
15	1	22242-000200	RING, 20	1							
16	1	26106-060122	BOLT, M6X 12 PLATED	3							
17	1	119660-01821	BEARING, FUEL CAM	1							
18	1	719660-14590	CAMSHAFT	1							
22	2	22512-040120	KEY, 4X 12	1							
23	2	24102-063034	BEARING, BALL 6303U	1							
24	1	24101-062034	BEARING, BALL 6203	1							
25	1	26106-060162	BOLT, M6X 16 PLATED	3							
26	1	26587-080102	SCREW, M8X10	1							

Remarks  
(1) REPAIR PART.

N:Old  $\frac{100}{100}$  New, Q:Old  $\frac{100}{100}$  New, R:Old  $\frac{100}{100}$  New, S:Old  $\frac{100}{100}$  New, W:Add, Z:Discontinued, F:Interchangeable by set, K:Q'ty Change  
Copyright (C) YANMAR CO., LTD. All Rights Reserved.

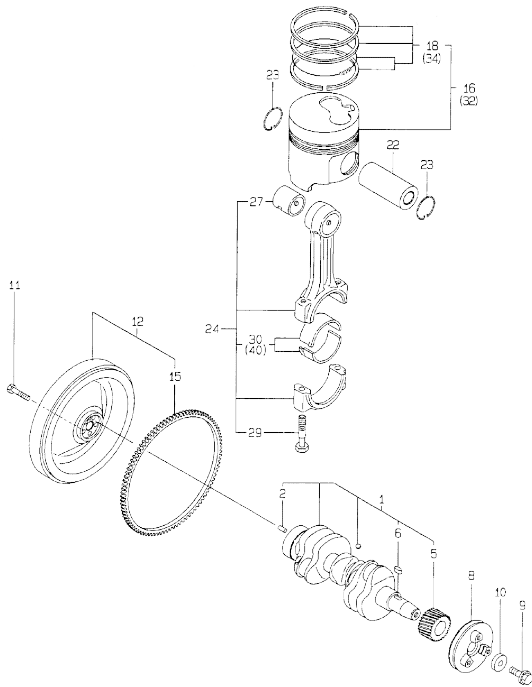
Fig.8. CRANKSHAFT & PISTON

(A)=3TNE74-DW  
(B)=  
(C)=

(D)=  
(E)=  
(F)=

Y0005050  
3TNE74-DW

クランクシャフト & ピストン  
CRANKSHAFT & PISTON



No.	Lev.	Parts No.	Description	Q'ty						I	R
				(A)	(B)	(C)	(D)	(E)	(F)		
1	1	119623-21700	CRANKSHAFT ASSY	1							
2	2	129100-01580	PIN, M8X16	1							
5	2	119644-21200	GEAR, CRANKSHAFT	1							
6	2	22512-040120	KEY, 4X 12	1							
8	1	119649-21650	V-PULLEY	1							
9	1	119621-21680	BOLT, FLANGE 12X1.25	1							
10	1	119620-21941	WASHER	1							
11	1	121111-21501	BOLT, FLYWHEEL	5							
12	1	119643-21590	FLYWHEEL ASSY	1							
15	2	129865-21600	GEAR, RING	1							M
15-1	2	119865-21600	GEAR, RING	1							
16	1	119623-22080	PISTON ASSY	3							
18	2	119623-22500	RING SET, PISTON	3							
22	1	114350-22301	PIN, PISTON D=21	3							
23	1	22252-000210	RING, 21	6							
24	1	719620-23100	ROD ASSY, CONNECTING	3							
27	2	119620-23910	BEARING, PISTON PIN	3							1
29	2	105225-23200	BOLT, CONNECTING ROD	6							
30	2	719620-23600	BEARING, CRANK PIN	3							
32	1	119623-22900	PISTON ASSY, 0.25 OS	3							2
34	2	119623-22950	RING SET, 0.25 OS	3							2
40	1	719620-23610	BEARING ASSY, 0.25	3							3

Remarks

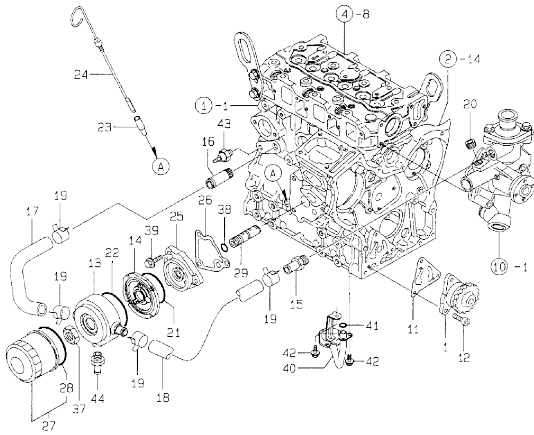
- (1) REPAIR PART.
- (2) OVER-SIZE(O.S=0.25)PART.
- (3) UNDER-SIZE(U.S=0.25)PART.
- (M) MISPRINT.

OCD10-M50300 3TNE74-DW  
 Fig.9. LUB OIL SYSTEM

OCD10-M50300 Fig.9

Y0005030  
 3TNE74-DW

9 LOオイルシステム  
 LUB OIL SYSTEM



No.	Lev.	Parts No.	Description	Q'ty						I	R
				(A)	(B)	(C)	(D)	(E)	(F)		
1	1	119660-32001	PUMP ASSY, OIL	1							
11	1	119660-32020	GASKET, PUMP	1							G
12	1	26450-060202	BOLT, M6X 20	3							
13	1	119642-33030	COOLER, OIL	1							
14	1	119642-33100	BRACKET, COOLER	1							
15	1	119265-44400	JOINT, PIPE	1							
16	1	129122-44480	JOINT	1							
17	1	119642-49030	PIPE, WATER	1							
18	1	129403-49050	PIPE, WATER	1							
19	1	23000-022000	CLAMP, 22	4							
20	1	23871-030000	PLUG, R03	1							
21	1	24321-000600	O-RING, 1AG60.0	1							
22	1	24321-000700	O-RING, 1AG70.0	1							
23	1	121520-34810	GUIDE, DIPSTICK	1							
24	1	119623-34830	DIPSTICK, OIL	1							
25	1	119660-35102	BRACKET, FILTER	1							
26	1	119660-35113	GASKET	1							G
27	1	119660-35150	FILTER, LUB. OIL	1							
27-1	1	119305-35151	FILTER ASSY, D68XL65	1							N 1
		(A=EXXXXX)									
28	2	124450-35110	O-RING	1							Z
		(A=EXXXXX)									
29	1	129120-35301	VALVE ASSY, OIL PRESS	1							
37	1	129150-35350	NUT	1							
38	1	24311-000160	O-RING, 1AP16.0	1							
39	1	26106-080202	BOLT, M8X 20 PLATED	3							
40	1	119623-35090	PIPE ASSY, OIL INLET	1							
41	1	24311-000120	O-RING, 1AP12.0	1							
42	1	26106-060102	BOLT, M6X 10 PLATED	2							
43	1	124160-39450	SWITCH, 0.5KG	1							
44	1	121550-49111	JOINT, PT1/4	1							

Remarks  
 (G)These parts are sold by Fig18,  
 Ref.No.1.  
 (1)O-ring is integrated type.  
 (integrated to the LO.filter)

N:Old  $\frac{100}{100}$  New, Q:Old  $\frac{100}{100}$  New, R:Old  $\frac{100}{100}$  New, S:Old  $\frac{100}{100}$  New, W:Add, Z:Discontinued, F:Interchangeable by set, K:Q'ty Change  
 Copyright (C) YANMAR CO., LTD. All Rights Reserved.

Fig.10. COOLING WATER SYSTEM

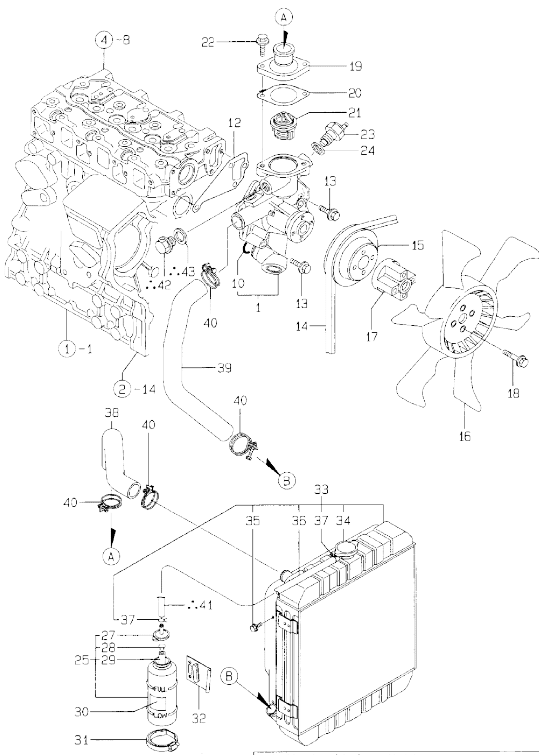
(A)=3TNE74-DW  
(B)=  
(C)=

(D)=  
(E)=  
(F)=

Y0009090  
3TNE74-DW

10 COOLING WATER SYSTEM

● 印刷番号: 9001000300-1  
● 発行日: 1993. 6  
● 改訂履歴: JAN. 1995



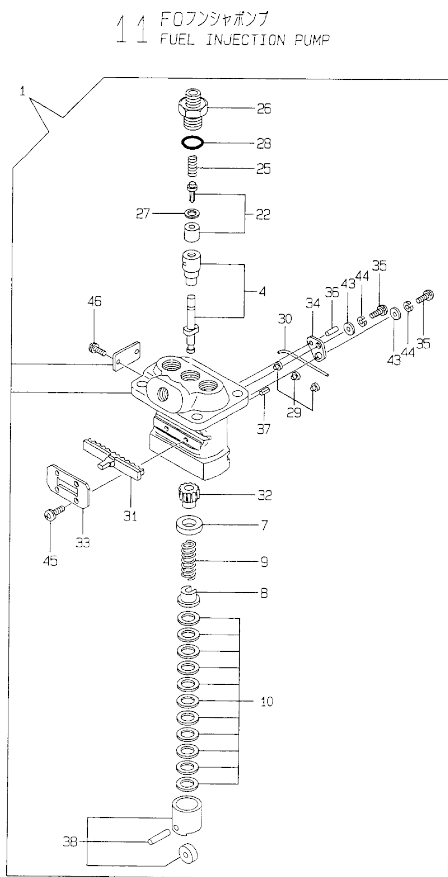
● 印刷番号変更 (追加) した箇所です。  
● MARKED PART HAS BEEN CHANGED (ADDED)

Remarks  
(G) THESE PARTS ARE SOLD BY FIG.18,  
REF.NO.1.

No.	Lev.	Parts No.	Description	Q'ty						I	R
				(A)	(B)	(C)	(D)	(E)	(F)		
1	1	119642-42000	PUMP ASSY, WATER	1							
10	2	119620-42320	O-RING	1							
12	1	119620-42020	GASKET, WATER PUMP	1							G
13	1	26106-080452	BOLT, M8X 45 PLATED	4							
14	1	119640-42290	V-BELT, FM36.5	1							
15	1	119656-42350	V-PULLEY	1							
16	1	129114-44740	FAN, COOLING D325XY	1							
17	1	119256-44760	SPACER, FAN	1							
18	1	26106-060602	BOLT, M6X 60 PLATED	4							
19	1	129350-49530	COVER, THERMOSTAT	1							
20	1	129350-49541	GASKET	1							G
21	1	129350-49800	THERMOSTAT, 71	1							
22	1	26106-080202	BOLT, M8X 20 PLATED	2							
23	1	121250-44901	SWITCH, 110	1							
24	1	124465-44950	GASKET, 16	1							G
25	1	124450-44510	TANK ASSY, SUB	1							
27	2	124450-44530	CAP	1							
28	2	124450-44560	RETAINER	1							
29	2	23061-070230	PIPE, 7X 230	1							
30	1	121470-44540	LABEL, SUB-TANK	1							
31	1	124450-44550	BAND	1							
32	1	121256-44600	BRACKET, SUB TANK	1							
33	1	119687-44500	RADIATOR ASSY	1							
33-1	1	119687-44501	RADIATOR ASSY	1							N
		(A=E13921)									
34	2	119259-44570	CAP, RADIATOR	1							
35	2	26014-060122	BOLT, M6X 12	4							
36	2	119867-44550	HOSE, RUBBER	1							Z
		(A=E13921)									
37	2	121250-44590	CLAMP	2							
38	1	129450-49010	PIPE, WATER	1							
39	1	129450-49020	PIPE, WATER	1							
40	1	23010-038000	CLAMP, 38	4							
41	1	121522-59090	PIPE, FUEL D12X900	1							W
		(A=E13921)									
42	1	121450-42450	PLUG, M16	1							W
		(A=FROM 1ST)									
43	1	124465-44950	GASKET, 16	1							W
		(A=FROM 1ST)									

Fig.11. FUEL INJECTION PUMP

Y0605030  
3TNE74-DW



No.	Lev.	Parts No.	Description	Q'ty						I	R
				(A)	(B)	(C)	(D)	(E)	(F)		
1	1	719621-51100	PUMP ASSY, INJECTION	1							
4	2	119620-51101	PLUNGER ASSY	3							
7	2	119620-51170	RETAINER, SPRING A	3							
8	2	119620-51180	RETAINER, SPRING B	3							
9	2	119620-51190	SPRING, PLUNGER	3							
10	2	119620-51250	SHIM SET	3							
22	2	119620-51300	VALVE ASSY, DELIVERY	3							
25	2	105546-51330	SPRING, DELIVERY	3							
26	2	119620-51340	HOLDER, DELIVERY	3							
27	2	119620-51350	GASKET	3							
28	2	119620-51370	O-RING	3							
29	2	119620-51450	PIECE	3							
30	2	119620-51461	PIN	1							
31	2	119660-51500	RACK, CONTROL	1							
32	2	119620-51510	PINION	3							
33	2	119660-51530	RETAINER, RACK	1							
34	2	119620-51650	PLATE	2							
35	2	119620-51660	SCREW	2							
36	2	119620-51670	PIN	2							
37	2	119620-51680	PIN	1							
38	2	119620-51700	TAPPET ASSY	3							
43	2	22137-040000	WASHER, 4	2							
44	2	22217-040000	WASHER, SPRING 4	2							
45	2	26022-040082	SCREW, M4X 8	4							
46	2	26587-040102	SCREW, M4X10	2							

OCD10-M50300 3TNE74-DW  
 Fig.12. GOVERNOR

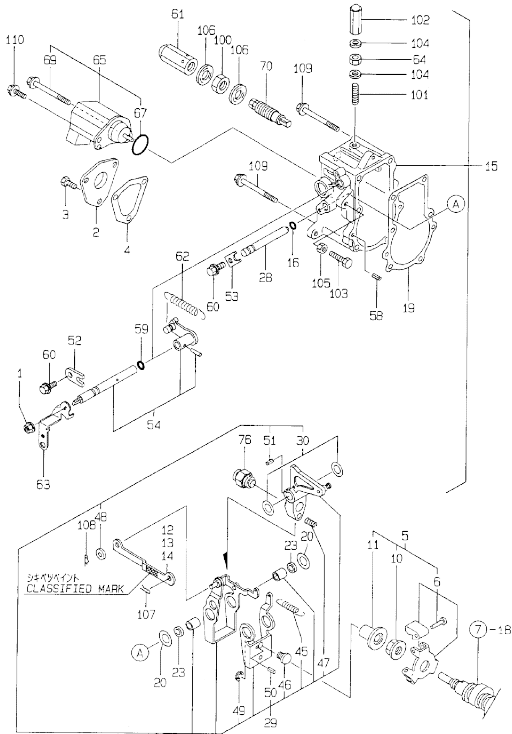
OCD10-M50300 Fig.12

(A)=3TNE74-DW  
 (B)=  
 (C)=

(D)=  
 (E)=  
 (F)=

Y0005030  
 3TNE74-DW

12 12  
 GOVERNOR



No.	Lev.	Parts No.	Description	Q'ty						I	R
				(A)	(B)	(C)	(D)	(E)	(F)		
1	1	194990-22050	NUT, M8	1							
2	1	119660-61060	COVER, GOVERNOR CASE	1							
3	1	26116-050202	BOLT, M5X 20 PLATED	3							
4	1	119660-61071	GASKET	1							
5	1	119600-61100	DRIVE ASSY	1							
6	2	119600-61200	WEIGHT ASSY, GOVERNOR	1							
10	2	119660-61300	NUT	1							
11	2	119660-61341	SLEEVE	1							
12	1	119660-61121	LINK, NO MARK	1							1
13	1	119660-61140	LINK, MARK :2	1							1
14	1	119660-61150	LINK, MARK :3	1							1
15	1	119288-61200	CASE ASSY, GOVERNOR	1							
16	2	129155-51280	O-RING, S6	1							
19	2	119660-61052	GASKET	1							
20	2	119660-61460	SHIM SET	1							
23	2	129155-61480	SPACER ASSY	2							
28	2	119660-61491	SHAFT	1							
29	2	119288-61510	LEVER ASSY, GOVERNOR	1							
30	3	174307-51700	SHIM SET	2							
45	3	119232-61540	SPRING	1							
46	3	119600-61540	SHIFTER	1							
46-1	3	119600-61541	SHIFTER	1							N
(A=E13921)											
47	3	119600-61650	SPRING, STARTING	1							
48	3	22117-040000	WASHER, 4	1							
49	3	22272-000040	RING, E- 4	1							
50	3	22351-020004	PIN, SPRING 2.0X 4	1							Z
(A=E13921)											
51	3	22351-030014	PIN, SPRING 3.0X14	1							
52	2	119600-61900	RETAINER, SHAFT	1							
53	2	119660-61901	RETAINER, SHAFT	1							
54	2	119285-66080	SHAFT ASSY	1							
58	2	22351-040010	PIN, SPRING 4.0X10	2							
59	2	24341-000070	O-RING, 1AS7.0	1							
60	2	26106-060102	BOLT, M6X 10 PLATED	2							
61	1	129100-61930	NUT, CAP	1							
62	1	119600-66020	SPRING, REGULATOR	1							
63	1	119621-66051	LEVER, REGULATOR	1							
64	1	124550-66370	NUT, M6	1							
65	1	119285-66500	STOPPER ASSY	1							
67	2	24341-000280	O-RING, 1AS28.0	1							
69	2	26106-060952	BOLT, M6X 95 PLATED	1							
70	1	119600-66530	LIMITER ASSY, FUEL	1							
76	1	119260-66720	ANGLEICH ASSY	1							
100	1	26776-120002	NUT, LOCK M12	1							
101	1	121575-66830	SCREW	1							
102	1	119600-66840	NUT, CAP	1							
103	1	26116-060304	BOLT, M6X 30 PLATED	1							
104	1	22190-060003	WASHER 6, SEAL	2							
105	1	26756-060002	NUT, LOCK M6	1							
106	1	22190-120002	WASHER, SEAL 12	2							

Remarks  
 (1) SELECTIVE PARTS : CERTAIN THE CLASSIFICATION MARK, THEN PLACE YOUR ORDER.(REF. TO ILLUSTRATION)

N:Old \*10/100 New, Q:Old \*10/100 New, R:Old \*10/100 New, S:Old \*10/100 New, W:Add, Z:Discontinued, F:Interchangeable by set, K:Q'ty Change  
 ++ CONTINUE ++  
 Copyright (C) YANMAR CO., LTD. All Rights Reserved.

OCD10-M50300 3TNE74-DW  
 Fig.12. GOVERNOR

OCD10-M50300 Fig.12

(A)=3TNE74-DW  
 (B)=  
 (C)=

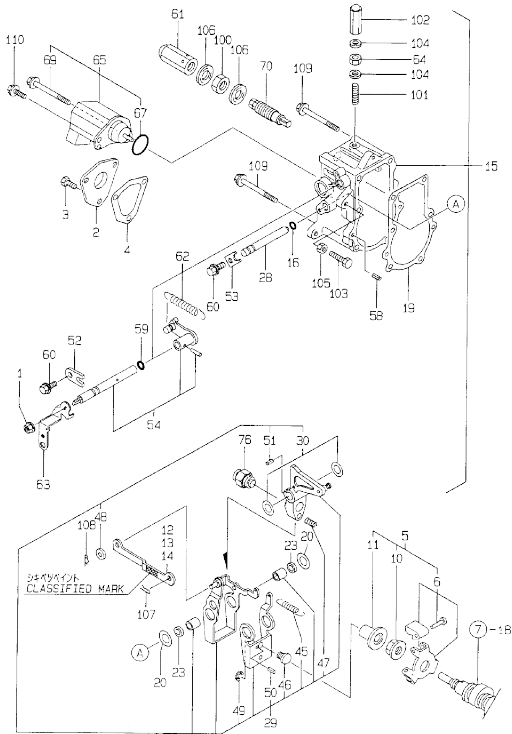
(D)=  
 (E)=  
 (F)=

Q'ty

No.	Lev.	Parts No.	Description	(A)	(B)	(C)	(D)	(E)	(F)	I	R
107	1	22360-040000	PIN, SNAP 4	1							
108	1	22360-060000	PIN, SNAP 6	1							
109	1	26106-060702	BOLT, M6X 70 PLATED	5							
110	1	121465-59950	BOLT, M6X16	1							

Y0005030  
 3TNE74-DW

12 3TNE74  
 GOVERNOR



Remarks  
 (1) SELECTIVE PARTS : CERTAIN THE CLASSIFICATION MARK, THEN PLACE YOUR ORDER.(REF. TO ILLUSTRATION)

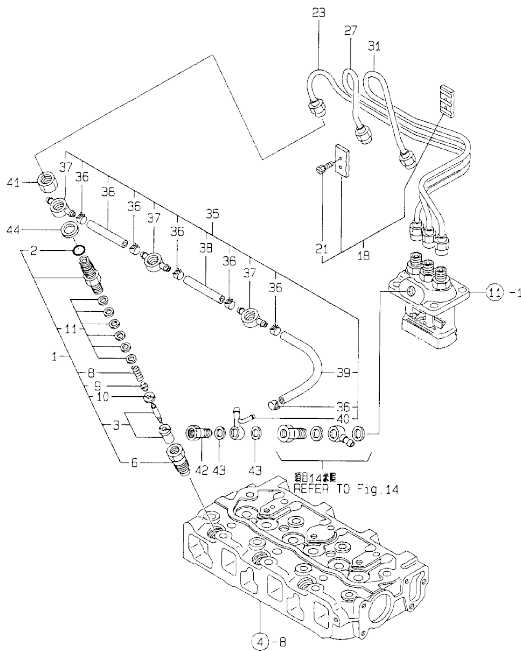
N:Old  $\frac{100}{100}$  New. Q:Old  $\frac{100}{100}$  New. R:Old  $\frac{100}{100}$  New. S:Old  $\frac{100}{100}$  New. W:Add. Z:Discontinued. F:Interchangeable by set. K:Q'ty Change  
 Copyright (C) YANMAR CO., LTD. All Rights Reserved.



Fig.13. FUEL INJECTION VALVE

Y0005030  
3TNE74-DW

13 燃料インジェクションバルブ  
FUEL INJECTION VALVE



(A)=3TNE74-DW  
(B)=  
(C)=

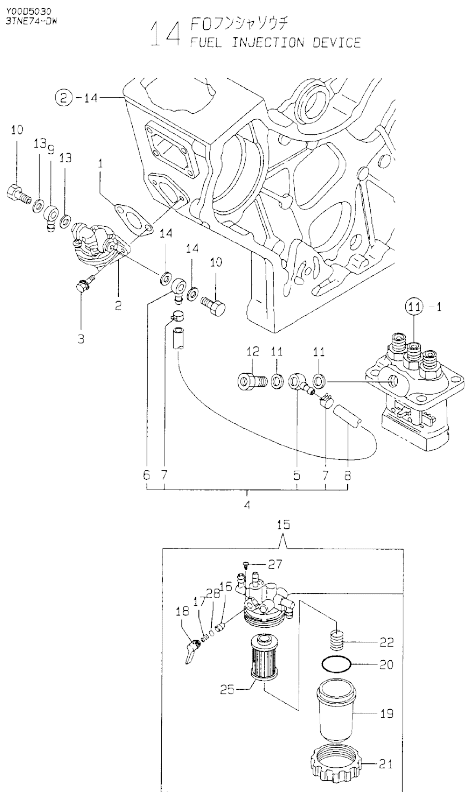
(D)=  
(E)=  
(F)=

No.	Lev.	Parts No.	Description	Q'ty						I	R
				(A)	(B)	(C)	(D)	(E)	(F)		
1	1	719255-53100	VALVE ASSY,INJECTION	3							
2	2	129155-51580	O-RING	3							G
2-1	2	129155-61830	O-RING, S10	3							R G
(A=E12832)											
3	2	119620-53000	VALVE ASSY,INJECTION	3							
6	2	119620-53080	NUT, NOZZLE	3							
8	2	119620-53120	SPRING, NOZZLE	3							
9	2	114250-53130	SEAT, SPRING	3							
10	2	119620-53140	SPACER, VALVE STOP	3							
11	2	114250-53400	SHIM SET	3							
18	1	129150-59120	RETAINER, PIPE	1							
21	2	129150-59131	BOLT, M4X14	2							
23	1	119620-59811	PIPE ASSY, INJECTION	1							
27	1	119620-59821	PIPE ASSY, INJECTION	1							
31	1	119620-59831	PIPE ASSY, INJECTION	1							
35	1	119643-59540	PIPE ASSY, RETURN	1							
36	2	124066-59100	CLIP, HOSE 8	6							
37	2	119260-59530	JOINT	3							
38	2	105025-59550	PIPE, FUEL RETURN	2							
39	2	119642-59550	PIPE, FUEL RETURN	1							
40	2	119643-59570	JOINT, OVER FLOW	1							
41	1	119620-59700	NUT, NOZZLE	3							
42	1	124550-59820	BOLT, PIPE JOINT M8	1							
43	1	23414-080012	GASKET, 8X1.0	2							
44	1	23414-140000	GASKET, 14X1.0	3							G

Remarks  
(G) THESE PARTS ARE SOLD BY FIG.18,  
REF.NO.1.

N:Old  $\frac{New}{Old}$  New, Q:Old  $\frac{New}{Old}$  New, R:Old  $\frac{New}{Old}$  New, S:Old  $\frac{New}{Old}$  New, W:Add, Z:Discontinued, F:Interchangeable by set, K:Q'ty Change  
Copyright (C) YANMAR CO., LTD. All Rights Reserved.

Fig.14. FUEL INJECTION DEVICE



(A)=3TNE74-DW  
(B)=  
(C)=

(D)=  
(E)=  
(F)=

No.	Lev.	Parts No.	Description	Q'ty						I	R
				(A)	(B)	(C)	(D)	(E)	(F)		
1	1	121520-01851	GASKET	1							
2	1	119600-52021	PUMP ASSY, FUEL FEED	1							G
3	1	26014-060202	BOLT, M6X 20	2							
4	1	119650-59010	PIPE ASSY, FUEL	1							
5	2	101304-59020	JOINT, PIPE 12	1							
6	2	104264-59030	JOINT, PIPE 8	1							
7	2	124766-59050	CLIP, HOSE 12	2							
8	2	106430-59560	PIPE, FUEL	1							
9	1	104264-59030	JOINT, PIPE 8	1							
10	1	105582-59150	BOLT, PIPE JOINT	2							
11	1	104200-59170	GASKET, 12	2							G
12	1	119650-59200	BOLT, PIPE JOINT M12	1							
13	1	22190-080002	WASHER, SEAL 6	2							G
14	1	22190-080002	WASHER, SEAL 6	2							G
15	1	119643-55610	FILTER ASSY, FUEL	1							
16	2	104200-55321	VALVE, TAPER	1							
17	2	104200-55330	SPRING, VALVE	1							
18	2	119810-55340	LEVER	1							
19	2	121254-55510	COVER	1							
20	2	102103-55520	O-RING	1							
21	2	110250-55610	RING, RETAINING	1							
22	2	121250-55620	SPRING	1							
25	2	124550-55700	FILTER, FUEL L=90	1							
27	2	104200-55750	SCREW, M4	1							
28	2	24311-240100	O-RING, 1AP10A	1							

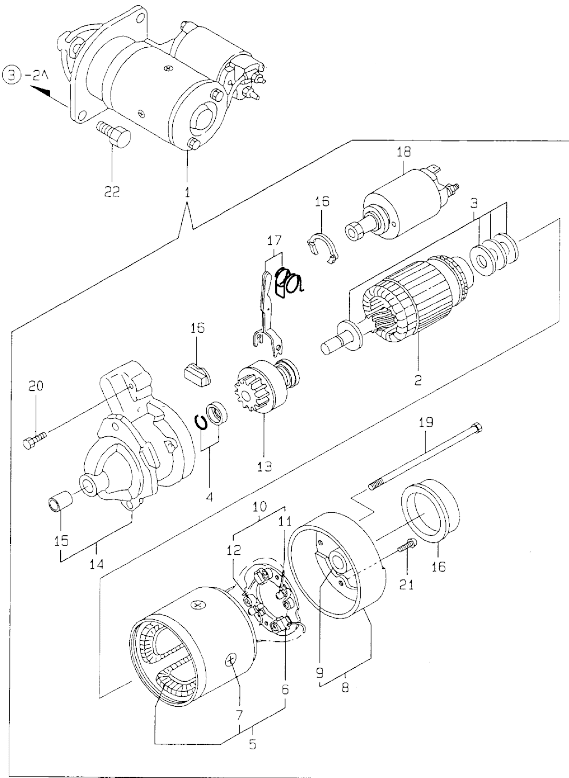
Remarks  
(G) THESE PARTS ARE SOLD BY FIG.18.  
REF.NO.1.

N:Old  $\frac{100}{100}$  New, Q:Old  $\frac{100}{100}$  New, R:Old  $\frac{100}{100}$  New, S:Old  $\frac{100}{100}$  New, W:Add, Z:Discontinued, F:Interchangeable by set, K:Q'ty Change  
Copyright (C) YANMAR CO., LTD. All Rights Reserved.

Fig.15. STARTING MOTOR

Y0005030  
3TNE74-DW

15 スターティングモータ  
STARTING MOTOR



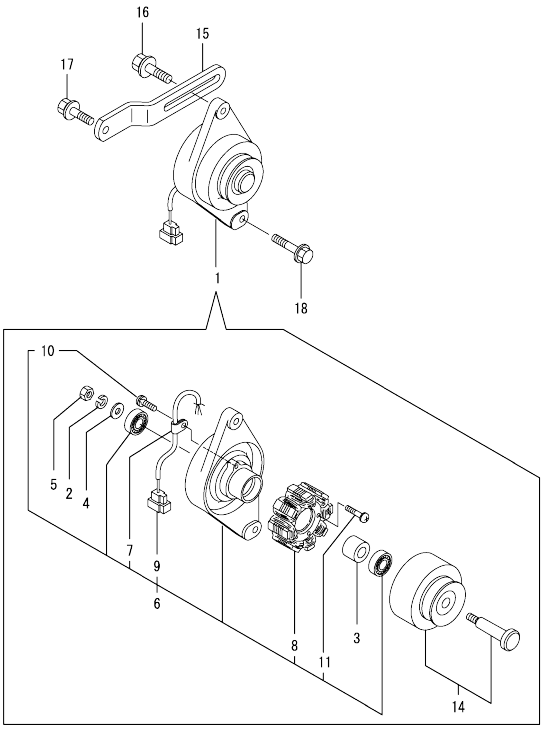
(A)=3TNE74-DW  
(B)=  
(C)=

(D)=  
(E)=  
(F)=

No.	Lev.	Parts No.	Description	Q'ty						I	R
				(A)	(B)	(C)	(D)	(E)	(F)		
1	1	119631-77010	STARTER	1							
2	2	124190-77110	ARMATURE, (NON-ASB.)	1							
3	2	X2114811000	WASHER KIT, THRUST	1							
4	2	X2114715500	STOPPER SET, PINION	1							
5	2	X2114631090	COIL ASSY, FIELD	1							
6	3	X2114531200	BRUSH (+)	2							
7	3	X2114821500	SCREW SET	1							
8	2	X2114430010	COVER ASSY, REAR	1							
9	3	X2114535200	METAL, STARTER	1							
10	2	X2114990010	HOLDER ASSY, BRUSH	1							
11	3	X2114831300	BRUSH (-)	1							
12	3	X2114931400	SPRING, BRUSH	3							
13	2	124190-77760	PINION ASSY	1							
14	2	X2114966130	CASE ASSY, GEAR	1							
15	3	X2114535200	METAL, STARTER	1							
16	2	X2114780060	COVER ASSY, DUST	1							
17	2	X2114660130	LEVER KIT, SHIFT	1							
18	2	X2114275070	SWITCH, MAGNETIC	1							
19	2	X2114680050	BOLT, THROUGH	2							
20	2	X2114586700	BOLT M6X 37	2							
21	2	X2114283500	SCREW SET	1							
22	1	26116-120252	BOLT, M12X 25 PLATED	2							

OCD10-M50300 3TNE74-DW  
 Fig.16. GENERATOR

OCD10-M50300 Fig.16



(A)=3TNE74-DW  
 (B)=  
 (C)=

(D)=  
 (E)=  
 (F)=

No.	Lev.	Parts No.	Description	Q'ty						I	R
				(A)	(B)	(C)	(D)	(E)	(F)		
1	1	129150-77202	GENERATOR	1							
1-1	1	129150-77203	DINAMO ASSY	1							N
(A=EXXXXX)											
2	2	XM219230000	WASHER, SPRING	1							
3	2	XM329830000	COLLAR	1							
4	2	XM860250000	WASHER, 10	1							
5	2	XM863720000	NUT	1							
6	2	129150-77210	PLATE ASSY	1							
7	3	XM069000000	CLAMP	1							
8	3	XM081780000	STATOR	1							
9	3	XM178780000	COUPLER	1							
10	3	XYSPS400800	SCREW	1							
11	3	XYSPS402400	SCREW	2							
14	2	129150-77230	FLYWHEEL ASSY	1							
14-1	2	129150-77280	FLYWHEEL ASSY	1							N
(A=EXXXXX)											
15	1	119660-77330	ADJUSTER	1							
16	1	26014-080252	BOLT, M8X 25	1							
17	1	26106-080162	BOLT, M8X 16 PLATED	1							
18	1	26106-100402	BOLT, M10X 40 PLATED	1							

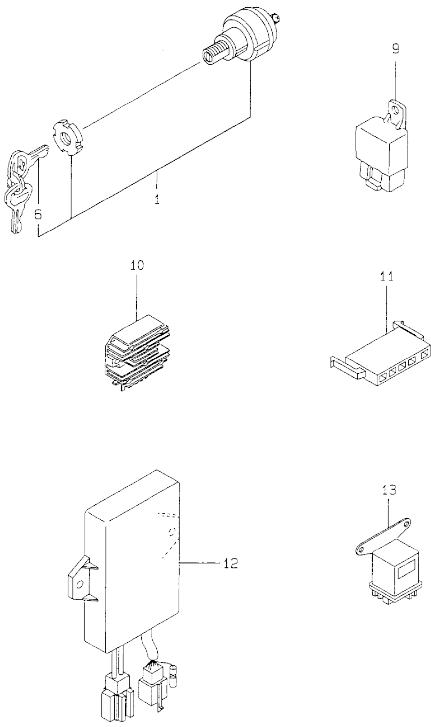
Fig.17. ELECTRIC PARTS

(A)=3TNE74-DW  
(B)=  
(C)=

(D)=  
(E)=  
(F)=

Y0005030  
3TNE74-DW

17 アンソウビン  
ELECTRIC PARTS



No.	Lev.	Parts No.	Description	Q'ty					
				(A)	(B)	(C)	(D)	(E)	(F)
1	1	194940-52110	SWITCH, STARTING	1					
6	2	198360-52160	KEY ASSY	1					
9	1	119247-77100	RELAY, SAFETY	1					
10	1	129150-77710	LIMITER, CURRENT 20A	1					
11	1	171301-77720	COUPLER	1					
12	1	119265-77801	RELAY, EMERGENCY	1					
13	1	119650-77910	RELAY ASSY, GLOW	1					

OCD10-M50300 3TNE74-DW  
 Fig.18. GASKET SET

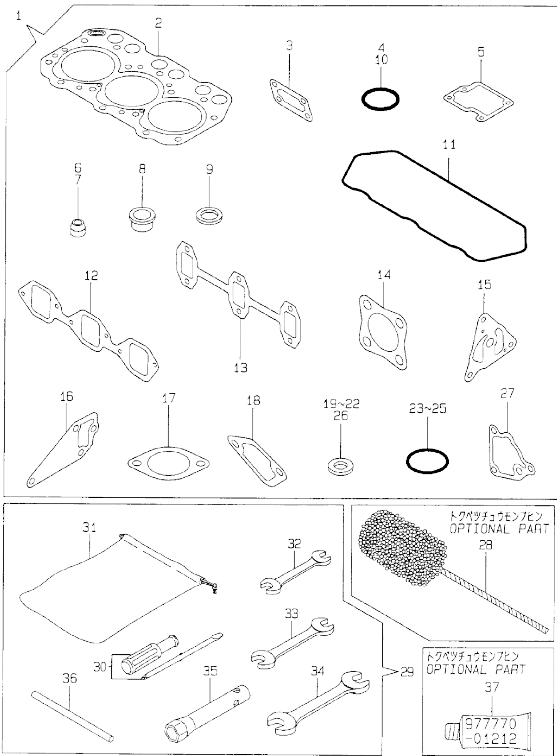
OCD10-M50300 Fig.18

(A)=3TNE74-DW  
 (B)=  
 (C)=

(D)=  
 (E)=  
 (F)=

Y00DE030  
 3TNE74-DW

18 バッキンセット  
 GASKET SET



No.	Lev.	Parts No.	Description	Q'ty						I	R
				(A)	(B)	(C)	(D)	(E)	(F)		
1	1	719634-92600	GASKET SET	1							1
2	2	119623-01330	GASKET, HEAD	1							
3	2	119660-01562	GASKET	1							
4	2	24311-000320	O-RING, 1AP32.0	1							
5	2	119620-03031	GASKET	1							
6	2	124950-11340	SEAL, VALVE STEM	3							
7	2	124160-11340	SEAL, VALVE STEM	3							
8	2	119600-11450	PROTECTOR, NOZZLE	3							
9	2	119600-11460	GASKET, NOZZLE	6							
10	2	24311-000320	O-RING, 1AP32.0	1							
11	2	119620-11310	GASKET, BONNET	1							
12	2	119620-12111	GASKET, MANIFOLD	1							
13	2	119620-13110	GASKET	1							
14	2	121000-13201	GASKET, SILENCER	1							
15	2	119660-32020	GASKET, PUMP	1							
16	2	119620-42020	GASKET, WATER PUMP	1							
17	2	129350-49541	GASKET	1							
18	2	121520-01851	GASKET	1							
19	2	124465-44950	GASKET, 16	1							
20	2	104200-59170	GASKET, 12	2							
21	2	23414-140000	GASKET, 14X1.0	3							
22	2	22190-080002	WASHER, SEAL 6	4							
23	2	24311-000120	O-RING, 1AP12.0	4							
24	2	129155-51580	O-RING	3							
24-1	2	129155-61830	O-RING, S10	3							R
(A=E12832)											
25	2	24341-000240	O-RING, 1AS24.0	1							
26	2	22190-220002	WASHER, SEAL 22	1							
27	2	119660-35113	GASKET	1							
28	1	129400-92410	FLEX HORN	1							1
29	1	119265-93100	BOX, TOOL	1							
30	2	104200-92350	DRIVER, SCREW	1							
31	2	105300-92600	BAG, TOOL	1							
32	2	28110-100120	SPANNER, 10X12	1							
33	2	28110-140170	SPANNER, 14X17	1							
34	2	28110-190220	SPANNER, 19X22	1							
35	2	28227-191400	WRENCH, BOX 19X140	1							
36	2	28230-090150	HANDLE, TURN 9X150	1							
37	1	977770-01212	GASKET, LIQUID	1							1

Remarks  
 (1) OPTIONAL PART.

N:Old  $\frac{100}{100}$  New, Q:Old  $\frac{100}{100}$  New, R:Old  $\frac{100}{100}$  New, S:Old  $\frac{100}{100}$  New, W:Add, Z:Discontinued, F:Interchangeable by set, K:Qty Change  
 Copyright (C) YANMAR CO., LTD. All Rights Reserved.

## Parts No. Index

Parts No.	Fig. No.	Ref. No.	Parts No.	Fig. No.	Ref. No.	Parts No.	Fig. No.	Ref. No.	Parts No.	Fig. No.	Ref. No.
101304-59020	14	5	119600-61540	12	46	119620-51250	11	10	119643-59540	13	35
102103-55520	14	20	119600-61541	12	46 -1	119620-51300	11	22	119643-59570	13	40
104200-55321	14	16	119600-61650	12	47	119620-51340	11	26	119644-21200	8	5
104200-55330	14	17	119600-61900	12	52	119620-51350	11	27	119649-21650	8	8
104200-55750	14	27	119600-66020	12	62	119620-51370	11	28	119650-59010	14	4
104200-59170	14	11	119600-66530	12	70	119620-51450	11	29	119650-59200	14	12
	18	20	119600-66840	12	102	119620-51461	11	30	119650-77910	17	13
104200-92350	18	30	119610-01490	2	14	119620-51510	11	32	119656-42350	10	15
104207-44480	5	3	119610-01590	2	1	119620-51650	11	34	119660-01510	2	17
104211-11370	4	27	119620-01200	1	23	119620-51660	11	35	119660-01551	2	20
104264-59030	14	6	119620-01620	3	6	119620-51670	11	36	119660-01562	2	21
		9	119620-01750	3	4	119620-51680	11	37		18	3
105010-11230	4	38	119620-01800	2	4	119620-51700	11	38	119660-01570	2	22
		42	119620-02020	1	6	119620-53000	13	3	119660-01640	3	7
105025-59550	13	38	119620-02410	1	21	119620-53080	13	6	119660-01821	7	17
105225-23200	8	29	119620-02450	7	4	119620-53120	13	8	119660-01911	2	5
105300-92600	18	31	119620-03020	4	51	119620-53140	13	10	119660-25022	7	9
105546-51330	11	25	119620-03031	4	52	119620-59700	13	41	119660-25052	7	10
105582-59150	14	10		18	5	119620-59811	13	23	119660-32001	9	1
106430-59560	14	8	119620-11110	4	21	119620-59821	13	27	119660-32020	9	11
110250-55610	14	21	119620-11120	4	22	119620-59831	13	31		18	15
114250-53130	13	9	119620-11180	4	23	119620-77820	4	64	119660-35102	9	25
114250-53400	13	11	119620-11200	4	31	119621-21680	8	9	119660-35113	9	26
114350-22301	8	22	119620-11240	4	32	119621-66051	12	63		18	27
119232-61540	12	45	119620-11260	4	35	119623-01330	1	24	119660-35150	9	27
119247-77100	17	9	119620-11280	4	36		18	2	119660-51500	11	31
119256-44760	10	17	119620-11310	4	55	119623-01770	3	13	119660-51530	11	33
119259-44570	10	34		18	11	119623-01950	2	23	119660-61052	12	19
119260-07900	4	5	119620-11330	4	50	119623-11100	4	20	119660-61060	12	2
119260-59530	13	37	119620-11350	4	47	119623-21700	8	1	119660-61071	12	4
119260-66720	12	76	119620-11390	4	56	119623-22080	8	16	119660-61121	12	12
119265-44400	9	15	119620-11801	4	14	119623-22500	8	18	119660-61140	12	13
119265-77801	17	12	119620-12111	5	4	119623-22900	8	32	119660-61150	12	14
119265-93100	18	29		18	12	119623-22950	8	34	119660-61300	12	10
119285-66080	12	54	119620-13110	6	2	119623-34830	9	24	119660-61341	12	11
119285-66500	12	65		18	13	119623-35090	9	40	119660-61460	12	20
119288-61200	12	15	119620-14100	7	7	119629-14580	7	3	119660-61491	12	28
119288-61510	12	29	119620-14200	7	1	119631-77010	15	1	119660-61901	12	53
119305-35151	9	27 -1	119620-14401	7	2	119640-01640	3	14	119660-77330	16	15
119600-01050	1	5	119620-21941	8	10	119640-42290	10	14	119687-44500	10	33
119600-01600	3	2	119620-23910	8	27	119642-03140	4	1	119687-44501	10	33 -1
119600-01722	3	11	119620-25102	7	11	119642-12100	5	1	119810-55340	14	18
119600-11450	4	28	119620-25912	7	13	119642-12110	5	2	119865-21600	8	15 -1
	18	8	119620-42020	10	12	119642-33030	9	13	119867-44550	10	36
119600-11460	4	29		18	16	119642-33100	9	14	121000-13201	6	7
	18	9	119620-42320	10	10	119642-42000	10	1		18	14
119600-13100	6	1	119620-51101	11	4	119642-49030	9	17	121023-01550	2	32
119600-52021	14	2	119620-51170	11	7	119642-59550	13	39	121111-21501	8	11
119600-61100	12	5	119620-51180	11	8	119643-21590	8	12	121120-01620	3	3
119600-61200	12	6	119620-51190	11	9	119643-55610	14	15	121120-12541	5	7





## Parts No. Index

Parts No.	Fig. No.	Ref. No.
719620-11650	4	37
719620-11660	4	41
719620-23100	8	24
719620-23600	8	30
719620-23610	8	40
719621-51100	11	1
719623-01560	1	1
719623-11710	4	8
719634-92600	18	1
719660-14590	7	18
977770-01212	2	35
	3	19
	18	37
X2114275070	15	18
X2114283500	15	21
X2114430010	15	8
X2114531200	15	6
X2114535200	15	9
	15	
X2114586700	15	20
X2114631090	15	5
X2114660130	15	17
X2114680050	15	19
X2114715500	15	4
X2114780060	15	16
X2114811000	15	3
X2114821500	15	7
X2114831300	15	11
X2114931400	15	12
X2114966130	15	14
X2114990010	15	10
XM069000000	16	7
XM081780000	16	8
XM178780000	16	9
XM219230000	16	2
XM329830000	16	3
XM860250000	16	4
XM863720000	16	5
XYS400800	16	10
XYS402400	16	11

Parts No.	Fig. No.	Ref. No.
-----------	----------	----------

Parts No.	Fig. No.	Ref. No.
-----------	----------	----------

Parts No.	Fig. No.	Ref. No.
-----------	----------	----------