

0CD50-M04220EN

# P R E F A C E

This parts catalog is the 1st edition of 4TNV98CT-L2VYBD for Kobelco Construction Machinery Co., Ltd.

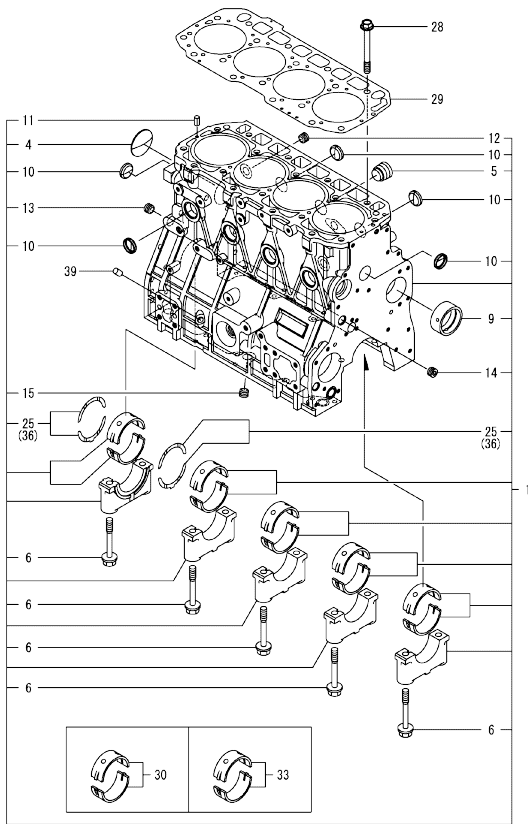
Published : October, 2018

## Contents

0CD50-M04220

Fig. No.	Fig. Name	Fig. No.	Fig. Name
ENGINE			
1.	CYLINDER BLOCK		
2.	GEAR HOUSING		
3.	FLYWHEEL HOUSING & OIL SUMP		
4.	CYLINDER HEAD & BONNET		
5.	SUCTION MANIFOLD		
6.	EXHAUST MANIFOLD		
7.	DIESEL PARTICULATE FILTER(DPF)		
8.	CAMSHAFT & DRIVING GEAR		
9.	TURBINE		
10.	CRANKSHAFT & PISTON		
11.	LUB. OIL SYSTEM		
12.	LUB. OIL PIPE		
13.	COOLING WATER SYSTEM		
14.	FUEL SUPPLY PUMP		
15.	FUEL INJECTION VALVE		
16.	FUEL PIPE		
17.	STARTER MOTOR		
18.	GENERATOR		
19.	ELECTRONIC CONTROL UNIT(ECU)		
20.	ELECTRIC PARTS		
21.	ACCESSORY		
22.	GASKET SET		
23.	CYLINDER HEAD & BONNET(FROM E96281)		

Fig.1. CYLINDER BLOCK



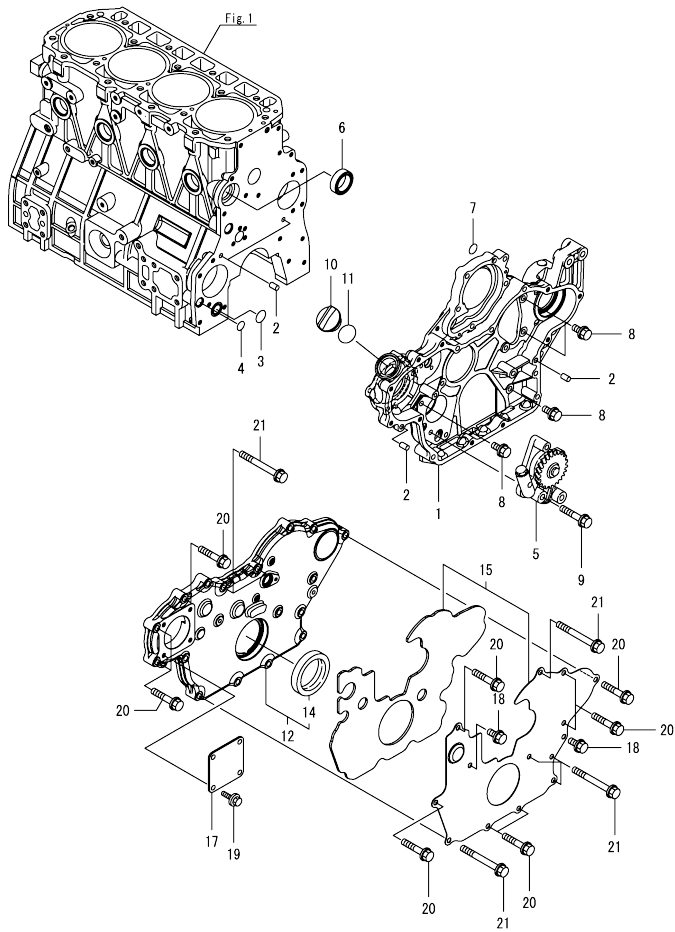
(A)=4TNV98CT-L2VYBD  
(B)=  
(C)=

(D)=  
(E)=  
(F)=

No.	Lev.	Parts No.	Description	Q'ty						I	R
				(A)	(B)	(C)	(D)	(E)	(F)		
1	1	129E32-01560	BLOCK ASSY, CYLINDER	1							
4	2	129900-01250	PLUG, 55	1							
5	2	171051-01921	PLUG, NPTF1	1							
6	2	129900-02020	BOLT, METAL CAP	10							
9	2	129900-02410	BUSH, CAMSHAFT	1							
10	2	27241-300000	PLUG 30	8							
11	2	22351-060012	PIN, SPRING 6.0X12	2							
12	2	23876-030000	PLUG, R03	1							
13	2	23876-030000	PLUG, R03	1							
14	2	23876-030000	PLUG, R03	1							
15	2	23876-030000	PLUG, R03	1							
25	2	129927-02930	BEARING ASSY, THRUST	2							
28	1	129900-01200	BOLT, CYLINDER HEAD	18							
29	1	129E00-01330	GASKET, HEAD	1							
30	1	729927-02800	BEARING ASSY, MAIN	5							1
33	1	129927-02340	BEARING ASSY, MAIN US	5							2
36	1	129927-02940	BEARING, THRUST 0.25OS	2							3
39	1	119309-01810	PLUG	1							

Remarks  
 (1) Spare parts.  
 (2) Under-sized (U.S.=0.25) parts.  
 (3) Over-sized (O.S.=0.25) parts.

Fig.2. GEAR HOUSING

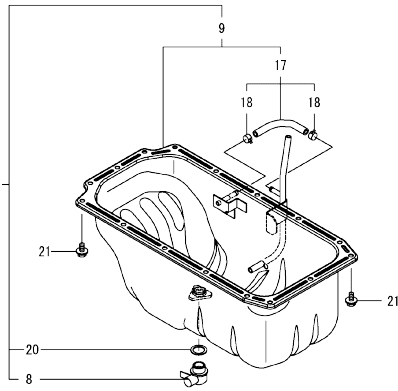
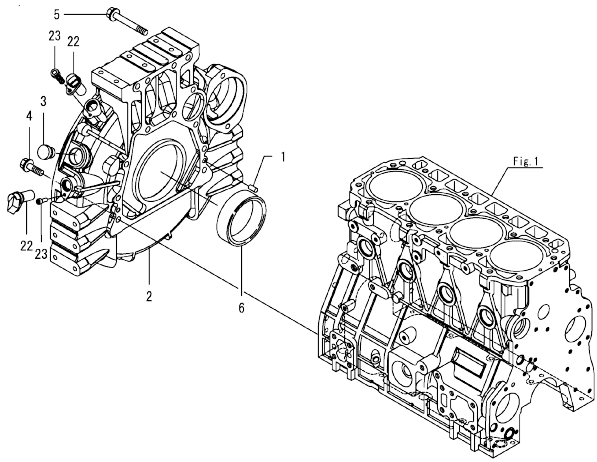


(A)=4TNV98CT-L2VYBD  
(B)=  
(C)=

(D)=  
(E)=  
(F)=

No.	Lev.	Parts No.	Description	Q'ty						I	R
				(A)	(B)	(C)	(D)	(E)	(F)		
1	1	129E01-01500	CASE, GEAR	1							
2	1	129100-01580	PIN, PARALLEL 8X16	4							
3	1	129900-32030	O-RING, P20	1							
4	1	129900-32040	O-RING, P14	1							
5	1	129908-32060	PUMP ASSY, OIL	1							
6	1	129927-42140	GASKET, PUMP OUTLET	1							
7	1	24311-000070	O-RING, 1AP7.0	1							
8	1	26106-080162	BOLT, M8X 16 PLATED	4							
9	1	26106-080452	BOLT, M8X 45 PLATED	3							
10	1	124160-01751	CAP, FILLER	1							
11	1	24311-000320	O-RING, 1AP32.0	1							
12	1	129E00-01580	COVER ASSY, CASE	1							
14	2	129916-01800	SEAL, OIL	1							
15	1	129E00-01850	COVER ASSY, CASE	1							
17	1	124240-01871	COVER, HYDRAULIC PUMP	1							
18	1	26106-080162	BOLT, M8X 16 PLATED	2							
19	1	26106-080162	BOLT, M8X 16 PLATED	4							
20	1	26106-080402	BOLT, M8X 40 PLATED	10							
21	1	26106-080702	BOLT, M8X 70 PLATED	7							

Fig.3. FLYWHEEL HOUSING & OIL SUMP



(A)=4TNV98CT-L2VYBD  
(B)=  
(C)=

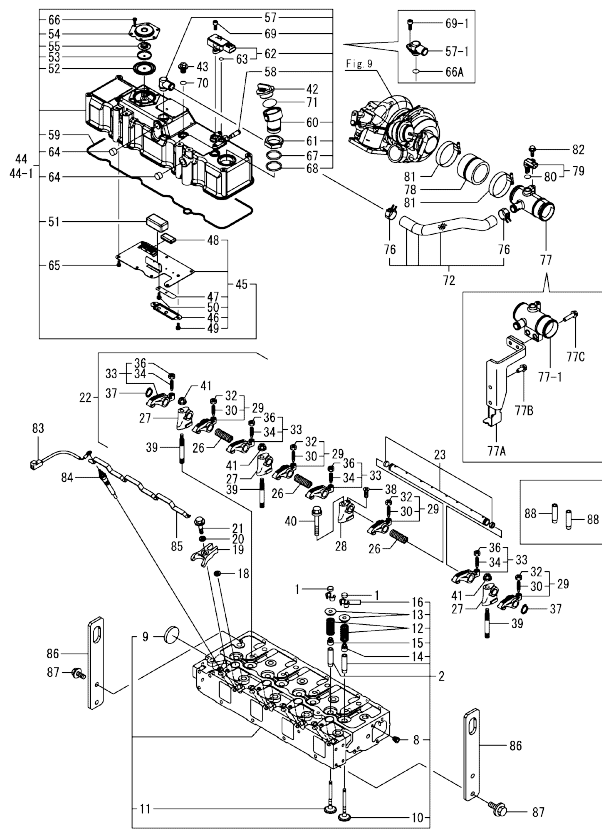
(D)=  
(E)=  
(F)=

No.	Lev.	Parts No.	Description	Q'ty						I	R
				(A)	(B)	(C)	(D)	(E)	(F)		
1	1	129100-01580	PIN, PARALLEL 8X16		2						
2	1	129E30-01620	HOUSING, FLYWHEEL	1							
3	1	119620-01750	CAP, WHEEL COVER	1							
4	1	26206-100352	BOLT, M10X 35 PLATED	9							
5	1	26206-100952	BOLT, M10X 95 PLATED	4							
6	1	129916-01790	SEAL, D115/95XT11	1							
7	1	129E30-01720	OIL PAN ASSY	1							
8	2	129E30-01630	COCK, OIL DRAIN	1							
9	2	129E30-01700	OIL PAN ASSY	1							
17	3	129E20-59500	HOSE ASSY	1							
18	4	124766-59050	CLAMP, HOSE 11.5	2							
20	2	22190-220002	WASHER, SEAL 22	1							
21	1	26106-080122	BOLT, M8X 12 PLATED	16							
22	1	129A00-21710	SENSOR, FLYWHEEL	2							1
23	1	26450-060162	BOLT, M6X 16	2							

Remarks

(1)When replacing this part, it is necessary to update the software of the ECU using the designated service tool. Please refer to the Service Manual for details.

Fig.4. CYLINDER HEAD & BONNET



(A)=4TNV98CT-L2VYBD  
(B)=  
(C)=

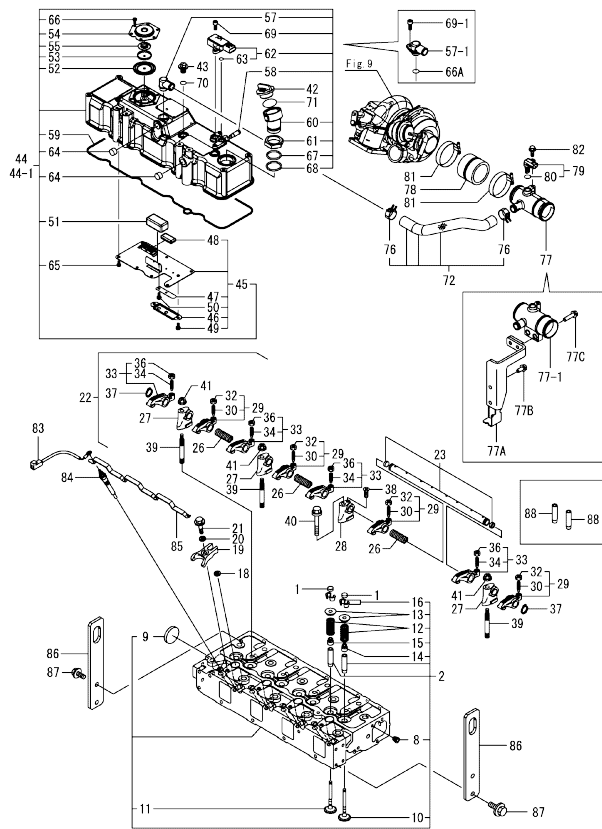
(D)=  
(E)=  
(F)=

No.	Lev.	Parts No.	Description	Q'ty						I	R
				(A)	(B)	(C)	(D)	(E)	(F)		
1	1	129150-11370	CAP, VALVE	8							
2	1	129E01-11710	HEAD ASSY, CYLINDER	1							
8	2	23876-005000	PLUG, R005	1							
9	2	27241-400000	PLUG, 40	1							
10	2	129E00-11100	VALVE, INTAKE	4							
11	2	129900-11110	VALVE, EXHAUST	4							
12	2	129900-11120	SPRING, VALVE	8							
13	2	129795-11180	RETAINER, SPRING	8							
14	2	124460-11340	SEAL, VALVE STEM	4							
15	2	129A00-11340	SEAL, VALVE STEM	4							
16	2	27310-080001	COTTER, 8	8							
18	1	129978-11871	GASKET, INJECTOR	4							
19	1	129E00-11900	RETAINER, INJECTOR	4							
20	1	120270-54410	WASHER, INJECTOR	4							
21	1	26106-080352	BOLT, M8X 35 PLATED	4							
22	1	129900-11200	SUPPORT ASSY, ROCKER	1							
23	2	129900-11240	SHAFT ASSY, ROCKER	1							
26	2	129900-11280	SPRING, SHAFT	3							
27	2	129900-11510	SUPPORT, ROCKER A	3							
28	2	129900-11520	SUPPORT, ROCKER B	1							
29	2	129900-11650	ARM ASSY, ROCKER INT	4							
30	3	129150-11230	SCREW, VALVE ADJUST	4							
32	3	129150-11750	NUT, M8XP1.0	4							
33	2	129900-11660	ARM ASSY, ROCKER EXH	4							
34	3	129150-11230	SCREW, VALVE ADJUST	4							
36	3	129150-11750	NUT, M8XP1.0	4							
37	2	22242-000180	RING, 18	2							
38	2	26577-040162	SCREW, M4X16	1							
39	1	129900-11530	BOLT, SUPPORT	3							
40	1	26106-100652	BOLT, M10X 65 PLATED	1							
41	1	26306-100002	NUT, M10	3							
42	1	124160-01751	CAP, FILLER	1							
43	1	124160-11360	KNOB, BONNET	3							
44	1	129E30-11350	BONNET ASSY	1							
44-1	1	129E30-11301	BONNET ASSY	1							S
(A=E96281)											
45	2	129E00-03010	PLATE, BAFFLE	1							
46	3	129E00-03020	COVER, PLATE SPRING	1							
47	3	129978-03030	SPRING, PLATE	1							
48	3	129907-03061	BAFFLE, BREATHER	1							
49	3	26557-050082	SCREW, MSX 8	2							
50	3	26587-050102	SCREW, MSX10	1							
51	2	129907-03070	BAFFLE, BREATHER	1							
52	2	123907-03100	DIAPHRAGM, BREATHER	1							
53	2	123907-03110	PLATE, CENTER	1							
54	2	123907-03120	PLATE, BREATHER	1							
55	2	123907-03140	SPRING, DIAPHRAGM	1							
57	2	119100-11330	ELBOW, BREATHER	1							
57-1	2	129E01-11330	JOINT, BREATHER	1							S
(A=E96281)											
58	2	129A00-11330	JOINT	1							

Remarks

- (1)When replacing this part, it is necessary to update the software of the ECU using the designated service tool. Please refer to the Service Manual for details.
- (2)Spare parts.
- (3)Interchangeable by simultaneous replacement with No.77-1, 77A, 77B, & 77C.

Fig.4. CYLINDER HEAD & BONNET



(A)=4TNV98CT-L2VYBD  
(B)=  
(C)=

(D)=  
(E)=  
(F)=

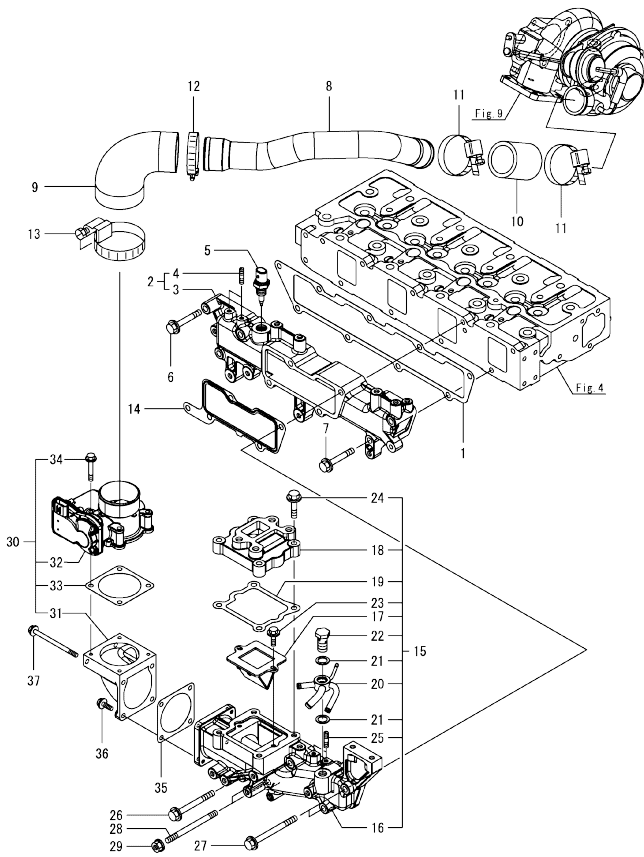
No.	Lev.	Parts No.	Description	Q'ty						I	R
				(A)	(B)	(C)	(D)	(E)	(F)		
59	2	129E00-11330	GASKET, BONNET	1							
60	2	119225-11740	ADAPTER, OIL FILLER	1							
61	2	119225-11750	NUT	1							
62	2	129978-12700	SENSOR, PRESSURE	1							1
63	3	129A00-12780	O-RING, EGR SENSOR	2							
64	2	119640-61400	PLUG	2							
65	2	22857-500100	SCREW, 5X10	7							
66	2	22857-500100	SCREW, 5X10	6							
66A	2	24316-000180	O-RING, 4DP18.0	1							W
(A=E96281)											
67	2	24311-000300	O-RING, 1AP30.0	1							
68	2	24311-000320	O-RING, 1AP32.0	1							
69	2	26450-060162	BOLT, M6X 16	2							
69-1	2	26450-060162	BOLT, M6X 16	3							K
(A=E96281)											
70	1	24311-000120	O-RING, 1AP12.0	3							
71	1	24311-000320	O-RING, 1AP32.0	1							
72	1	129E01-03020	HOSE ASSY, BREATHER	1							
76	2	129410-03990	CLAMP, HOSE 21.5	2							
77	1	129C01-03060	JOINT, BREATHER	1							
77-1	1	129C01-03180	JOINT, BREATHER	1							F 3
(A=ED1230)											
77A	1	129E30-03380	BRACKET, JOINT	1							W 3
(A=ED1230)											
77B	1	26106-080162	BOLT, M8X 16 PLATED	2							W 3
(A=ED1230)											
77C	1	26106-080302	BOLT, M8X 30 PLATED	2							W 3
(A=ED1230)											
78	1	129E30-12060	HOSE, AIR INTAKE	1							
79	1	129A00-12711	SENSOR, TEMPERATURE	1							
80	2	129A00-12790	O-RING, TEMP SENSOR	1							
81	1	23001-060000	CLAMP, HOSE 60	2							
82	1	26106-060162	BOLT, M6X 16 PLATED	1							
83	1	119803-77830	HARNES, WIRE	1							
84	1	129E20-77800	PLUG, GLOW 24V	4							
85	1	129E00-77820	CONNECTOR, GLOW PLUG	1							
86	1	129944-07910	LIFTER	2							
87	1	26106-080162	BOLT, M8X 16 PLATED	4							
88	1	129150-11810	GUIDE, VALVE	8							2

Remarks

- (1)When replacing this part, it is necessary to update the software of the ECU using the designated service tool. Please refer to the Service Manual for details.
- (2)Spare parts.
- (3)Interchangeable by simultaneous replacement with No.77-1, 77A, 77B, & 77C.



Fig.5. SUCTION MANIFOLD



(A)=4TNV98CT-L2VYBD  
(B)=  
(C)=

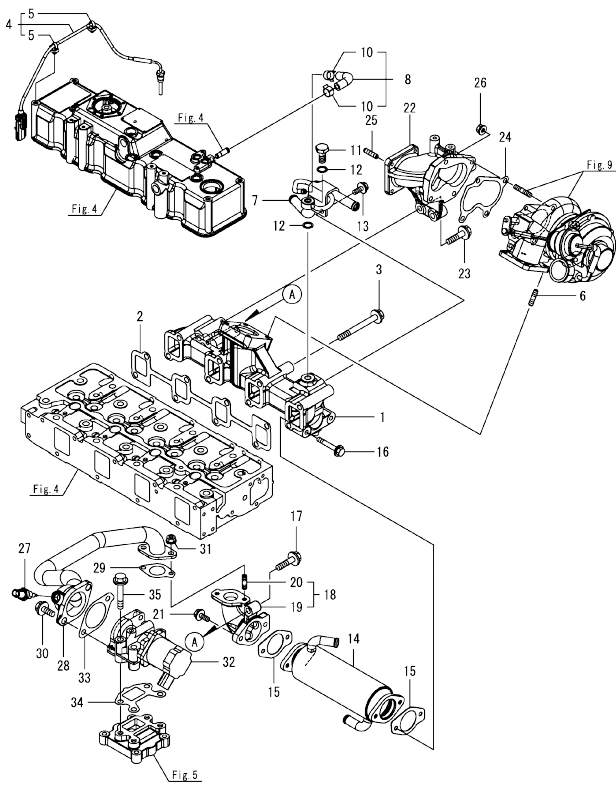
(D)=  
(E)=  
(F)=

No.	Lev.	Parts No.	Description	Q'ty						I	R
				(A)	(B)	(C)	(D)	(E)	(F)		
1	1	129E00-12110	GASKET, MANIFOLD	1							
2	1	129E01-12150	MANIFOLD ASSY,INTAKE	1							
3	2	129E01-12100	MANIFOLD, INTAKE	1							
4	2	26216-060202	STUD, M6X 20	2							
5	1	129A00-12721	SENSOR,AIR TEMP	1							1
6	1	26106-080452	BOLT, M8X 45 PLATED	1							
7	1	26106-080552	BOLT, M8X 55 PLATED	4							
8	1	129E01-18200	DUCT, INTAKE	1							
9	1	129A01-18210	JOINT, RUBBER	1							
10	1	129E01-18220	JOINT, HOSE	1							
11	1	23000-054000	CLAMP, 54	2							
12	1	23000-060000	CLAMP, 60	1							
13	1	23000-075000	CLAMP, 75	1							
14	1	129E00-12810	GASKET, COLLECTOR	1							
15	1	129E30-12850	COLLECTOR ASSY	1							
16	2	129E01-12800	COLLECTOR	1							
17	2	129E01-13700	VALVE, REED	1							
18	2	129E00-13710	SPACER, EGR VALVE	1							
19	2	129E00-13720	GASKET, EGR-V SPACER	1							
20	2	129E30-59120	JOINT, HOSE 14	1							
21	2	22190-140002	WASHER, SEAL 14	2							
22	2	23857-080000	BOLT, JOINT 8	1							
23	2	26106-060142	BOLT, M6X 14 PLATED	2							
24	2	26106-080352	BOLT, M8X 35 PLATED	4							
25	2	26216-060202	STUD, M6X 20	2							
26	1	26106-080752	BOLT, M8X 75 PLATED	1							
27	1	26106-080902	BOLT, M8X 90 PLATED	2							
28	1	26216-081002	STUD, M8X100	2							
29	1	26306-080002	NUT, M8	2							
30	1	129E30-12900	THROTTLE ASSY, INT	1							
31	2	129A00-12820	BEND, INTAKE	1							
32	2	129G01-12900	THROTTLE, INT	1							1
33	2	129A00-12910	GASKET, THROTTLE	1							
34	2	26106-060452	BOLT, M6X 45 PLATED	4							
35	1	129A00-12910	GASKET, THROTTLE	1							
36	1	26106-060202	BOLT, M6X 20 PLATED	2							
37	1	26106-060902	BOLT, M6X 90 PLATED	2							

Remarks

(1)When replacing this part, it is necessary to update the software of the ECU using the designated service tool. Please refer to the Service Manual for details.

Fig.6. EXHAUST MANIFOLD



(A)=4TNV98CT-L2VYBD  
(B)=  
(C)=

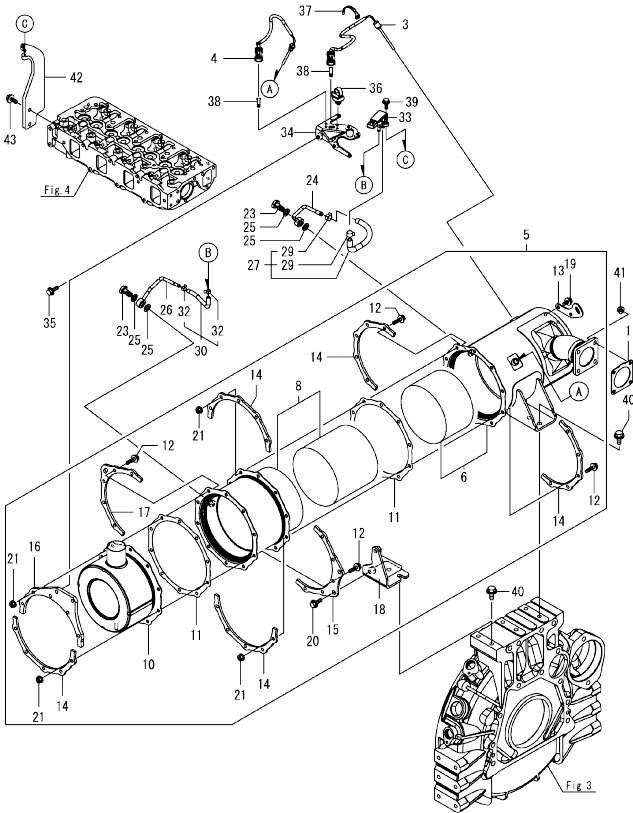
(D)=  
(E)=  
(F)=

No.	Lev.	Parts No.	Description	Qty						I	R
				(A)	(B)	(C)	(D)	(E)	(F)		
1	1	129E01-13101	MANIFOLD, EXHAUST	1							
2	1	129E00-13110	GASKET, MANIFOLD	1							
3	1	129F01-13610	BOLT, M10X95 10.9T	8							
4	1	129E00-13770	SENSOR, TEMPERATURE	1							1
5	2	129A00-91200	CLIP, BAND	2							
6	1	129418-18320	STUD, M8X20	4							
7	1	129E01-13300	PIPE, PRESSURE	1							
8	1	129978-13330	HOSE ASSY, PRESSURE	1							
10	2	129A00-13380	CLIP, HOSE 14	2							
11	1	129A00-13350	BOLT, PIPE JOINT	1							
12	1	23414-120000	GASKET, 12X1.0	2							
13	1	26106-080162	BOLT, M8X 16 PLATED	2							
14	1	129E00-13400	COOLER, EGR	1							
15	1	129978-13411	GASKET, EGR COOLER	2							
16	1	129E00-13610	BOLT, M8X50 10.9	2							
17	1	129F01-13650	BOLT, M10X40 10.9T	1							
18	1	129E00-13851	BEND, COOLER OUTLET	1							
19	2	129E00-13861	BEND, COOLER OUTLET	1							
20	2	129418-18320	STUD, M8X20	2							
21	1	26106-080202	BOLT, M8X 20 PLATED	2							
22	1	129E30-13350	PIPE, EXHAUST	1							
23	1	129F01-13650	BOLT, M10X40 10.9T	2							
24	1	123901-18080	GASKET, TURBINE OUT	1							
25	1	119131-18320	STUD, M8X22	4							
26	1	26306-080002	NUT, M8	4							
27	1	129A00-13752	SENSOR, EGR GAS TEMP	1							1
28	1	129E00-13800	PIPE ASSY, EGR	1							
29	1	129927-13810	GASKET, EGR PIPE	1							
30	1	26106-100252	BOLT, M10X 25 PLATED	2							
31	1	26306-080002	NUT, M8	2							
32	1	129E00-13960	VALVE, EGR 24V IDENT	1							1
33	1	129E00-13910	GASKET, EGR-V INLET	1							
34	1	129E00-13920	GASKET, EGR-V OUTLET	1							
35	1	26106-100602	BOLT, M10X 60 PLATED	4							

Remarks

(1)When replacing this part, it is necessary to update the software of the ECU using the designated service tool. Please refer to the Service Manual for details.

Fig.7. DIESEL PARTICULATE FILTER(DPF)



(A)=4TNV98CT-L2VYBD  
(B)=  
(C)=

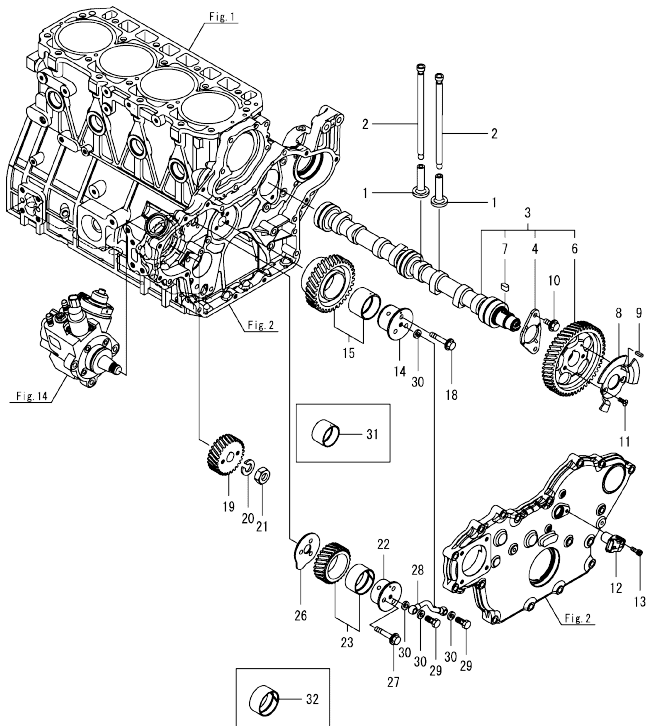
(D)=  
(E)=  
(F)=

No.	Lev.	Parts No.	Description	(A)	(B)	(C)	(D)	(E)	(F)	I	R
1	1	129930-13201	GASKET, SILENCER	1							
3	1	129C00-13940	SENSOR, TEMPERATURE	1							1
3-1	1	129C00-13860	SENSOR, ATD TEMP.DS+	1						N	1
(A=EC3375)											
4	1	129C00-13950	SENSOR, TEMPERATURE	1							1
4-1	1	129C00-13870	SENSOR, ATD TEMP.DS+	1						N	1
(A=EC3375)											
5	1	129E30-16010	DPF ASSY	1							1
5-1	1	129E30-16050	DPF ASSY	1						N	1
(A=EC3375)											
6	2	129E01-16201	CASE, DOC	1							1
6-1	2	129E01-16230	CASE, DOC	1						N	1
(A=EC3375)											
8	2	129C01-16400	CASE, SOOT FILTER	1							1
10	2	129E20-16550	SILENCER, DPF	1							
11	2	129E00-16600	GASKET, DPF	2							
12	2	129A00-16610	BOLT, M8X28 10.9T	20							
13	2	129C01-16680	LIFTER, DPF	1							
14	2	129C01-16700	STIFFENER, DPF A	5							
15	2	129C01-16710	STIFFENER, DPF B	1							
16	2	129C01-16730	STIFFENER, DPF C	1							
17	2	129C01-16740	STIFFENER, DPF C	1							
18	2	129E00-16801	STAY, DPF	1							
19	2	26106-080142	BOLT, M8X 14 PLATED	2							
20	2	26106-100222	BOLT, M10X 22 PLATED	2							
21	2	26306-080002	NUT, M8	20							
23	1	129A00-13350	BOLT, PIPE JOINT	2							
24	1	129E00-17300	PIPE ASSY, PRESSURE	1							
25	1	129A00-17311	GASKET, SENSOR	4							
26	1	129E00-17350	PIPE ASSY, PRESSURE	1							
27	1	129978-17600	HOSE ASSY,PRES EXH	1							
29	2	129A00-17520	CLIP, HOSE	2							
30	1	129A00-17660	HOSE ASSY, PRESSURE	1							
32	2	129A00-17570	CLIP, HOSE	2							
33	1	129978-17700	SENSOR, PRESSURE	1							1
34	1	129A00-17760	BRACKET, SENSOR	1							
35	1	26106-080202	BOLT, M8X 20 PLATED	2							
36	1	129A00-91200	CLIP, BAND	1							
37	1	129C00-91200	BAND	1							
38	1	129A00-91430	CLIP, CONNECTOR	2							
39	1	26106-060162	BOLT, M6X 16 PLATED	2							
40	1	26106-100202	BOLT, M10X 20 PLATED	4							
41	1	26306-080002	NUT, M8	4							
42	1	129C35-17760	BRACKET, PRES SENSOR	1							
43	1	26106-080202	BOLT, M8X 20 PLATED	2							

Remarks

(1)When replacing this part, it is necessary to update the software of the ECU using the designated service tool. Please refer to the Service Manual for details.

Fig.8. CAMSHAFT & DRIVING GEAR



(A)=4TNV98CT-L2VYBD  
(B)=  
(C)=

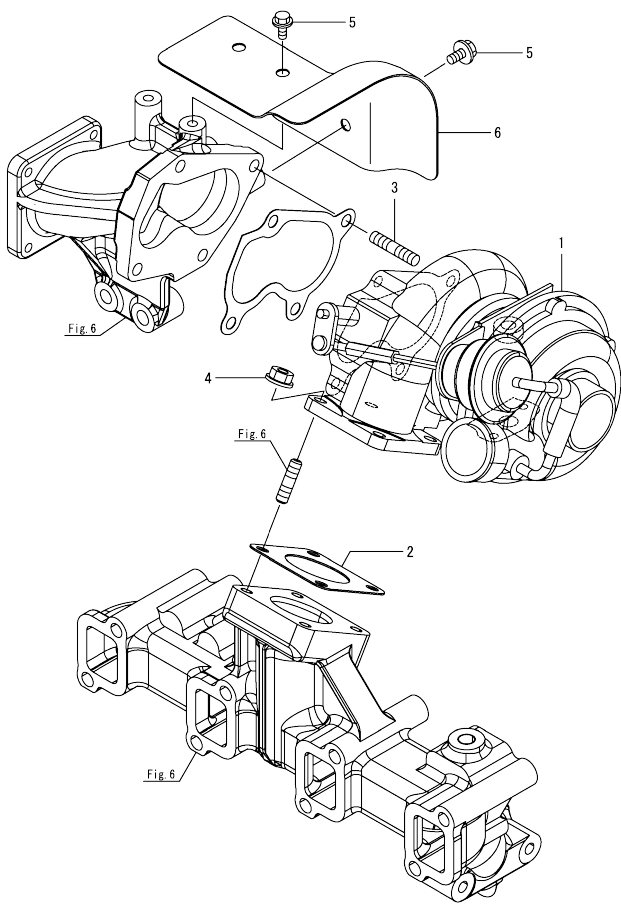
(D)=  
(E)=  
(F)=

No.	Lev.	Parts No.	Description	Q'ty						I	R
				(A)	(B)	(C)	(D)	(E)	(F)		
1	1	129150-14200	TAPPET	8							
2	1	129900-14400	ROD, PUSH	8							
3	1	129E00-14581	CAMSHAFT ASSY	1							
4	2	129150-02450	METAL, THRUST	1							
6	2	129E00-14101	GEAR, CAMSHAFT	1							
7	2	22512-070140	KEY, 7X 14	1							
8	1	129E00-14700	PULSER, CAM GEAR	1							
9	1	22351-030010	PIN, SPRING 3.0X10	1							
10	1	26106-080142	BOLT, M8X 14 PLATED	2							
11	1	26577-060122	SCREW, M6X12	2							
12	1	129A00-14710	SENSOR, ROTATION	1							
13	1	26450-060162	BOLT, M6X 16	1							
14	1	129E00-25050	SHAFT, IDLE GEAR A	1							
15	1	129927-25110	GEAR ASSY, IDLE	1							
18	1	26106-080502	BOLT, M8X 50 PLATED	3							
19	1	129E00-25902	GEAR, SUPPLY PUMP	1							
20	1	22217-180000	WASHER, SPRING 18	1							
21	1	26776-180002	NUT, LOCK M18	1							
22	1	129E00-25060	SHAFT, IDLE GEAR B	1							
23	1	129E00-25121	GEAR ASSY, IDLE B	1							
26	1	129E00-25200	PLATE, IDLE SHAFT B	1							
27	1	26106-080452	BOLT, M8X 45 PLATED	3							
28	1	129E00-25400	PIPE ASSY, OIL	1							
29	1	105010-39140	BOLT, PIPE JOINT M8	2							
30	1	22190-080002	WASHER, SEAL 8	4							
31	1	129927-25920	BUSH, IDLE GEAR	1							1
32	1	129E00-25080	BUSH, IDLE GEAR B	1							1

Remarks  
(1)Spare parts.

OCD50-M04220 ENGINE  
 Fig.9. TURBINE

OCD50-M04220 Fig.9

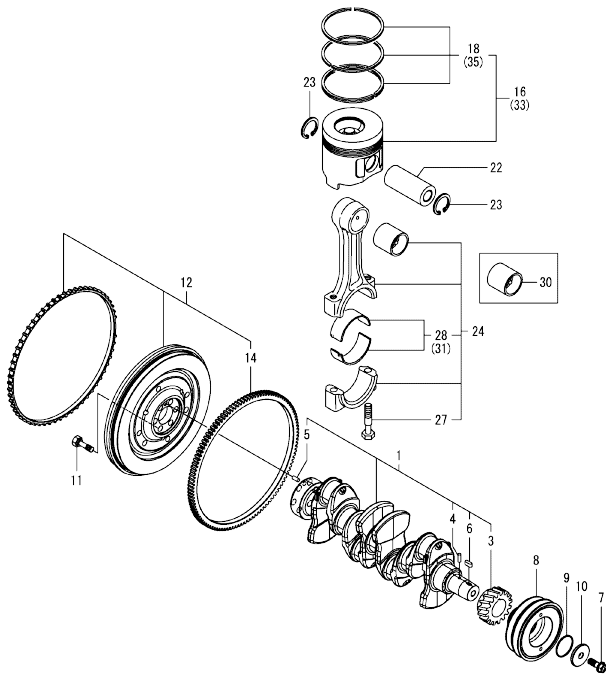


(A)=4TNV98CT-L2VYBD  
 (B)=  
 (C)=

(D)=  
 (E)=  
 (F)=

No.	Lev.	Parts No.	Description	Q'ty						I	R
				(A)	(B)	(C)	(D)	(E)	(F)		
1	1	129E01-18011	TURBOCHARGER, RHF5	1							
2	1	129472-18090	GASKET, TURBINE IN	1							
3	1	119131-18320	STUD, M8X22	4							
4	1	26306-080002	NUT, M8	4							
5	1	119802-13801	BOLT, M8X14 10.9T	4							
6	1	129E30-18020	COVER, TURBO CHARGER	1							

Fig.10. CRANKSHAFT & PISTON



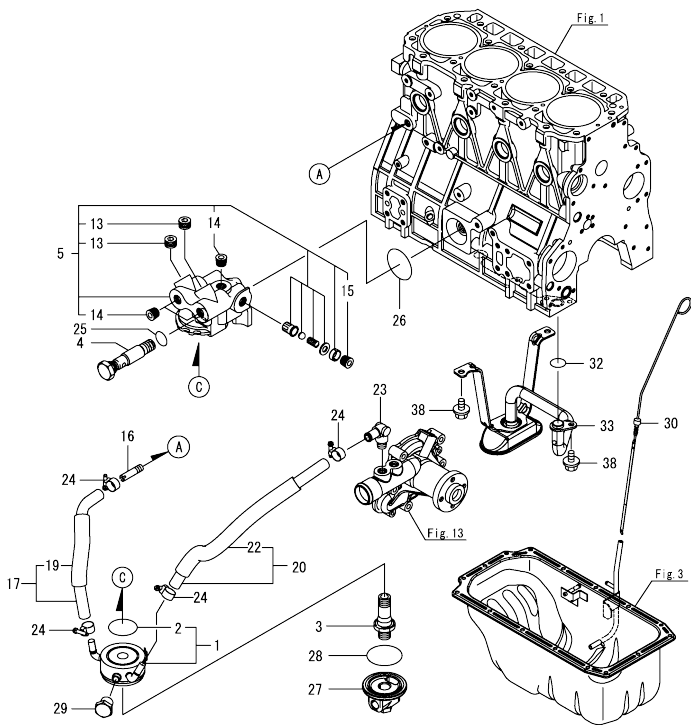
(A)=4TNV98CT-L2VYBD  
(B)=  
(C)=

(D)=  
(E)=  
(F)=

No.	Lev.	Parts No.	Description	Q'ty						I	R
				(A)	(B)	(C)	(D)	(E)	(F)		
1	1	129908-21100	CRANKSHAFT ASSY	1							
3	2	129900-21220	GEAR, CRANKSHAFT	1							
4	2	121850-21290	PIN, CRANK GEAR	1							
5	2	121850-21920	PIN, PARALLEL 10X22	1							
6	2	22512-070140	KEY, 7X 14	1							
7	1	129916-21610	BOLT, V-PULLEY	1							
8	1	129E30-21600	V-PULLEY, CRANKSHAFT	1							
9	1	129960-21930	GASKET, WASHER	1							
10	1	129960-21940	WASHER, V-PULLEY	1							
11	1	121850-21130	BOLT, FLYWHEEL	6							
12	1	129E30-21560	FLYWHEEL ASSY	1							
14	2	129900-21600	GEAR, RING	1							
16	1	129E01-22080	PISTON ASSY	4							
18	2	129E00-22050	RING SET, PISTON	4							
22	1	120130-22301	PIN, PISTON	4							
23	1	22252-000300	RING, 30	8							
24	1	129900-23001	ROD ASSY, CONNECTING	4							
27	2	129900-23200	BOLT, CONNECTING ROD	8							
28	2	129927-23600	BEARING ASSY, PIN	4							
30	1	129900-23911	METAL, PISTON PIN	4							1
31	1	129927-23610	BEARING ASSY, PIN US	4							2
33	1	129E01-22900	PISTON ASSY, 0.25 OS	4							3
35	2	129E00-22950	RING SET, PISTON 25	4							3

Remarks  
(1) Spare parts.  
(2) Under-sized (U.S.=0.25) parts.  
(3) Over-sized (O.S.=0.25) parts.

Fig.11. LUB. OIL SYSTEM

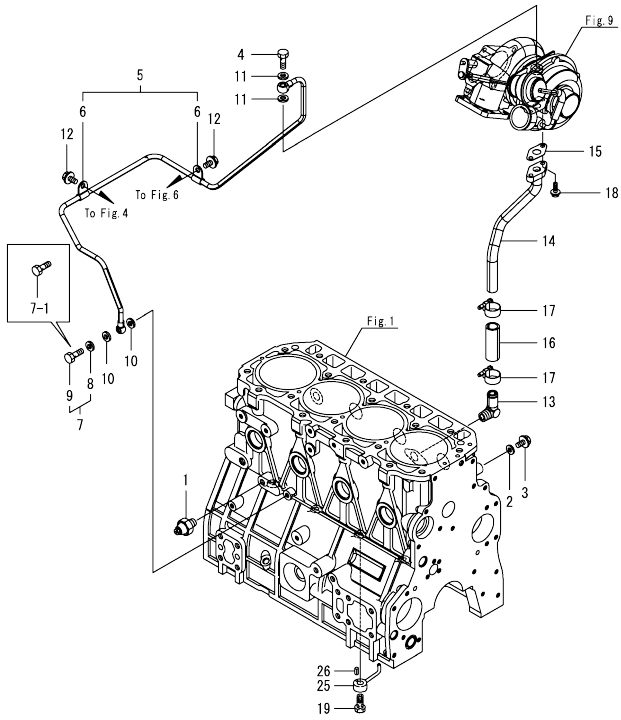


(A)=4TNV98CT-L2VYBD  
(B)=  
(C)=

(D)=  
(E)=  
(F)=

No.	Lev.	Parts No.	Description	Q'ty						I	R
				(A)	(B)	(C)	(D)	(E)	(F)		
1	1	129949-33010	COOLER ASSY, OIL	1							
2	2	123912-33050	O-RING	1							
3	1	123910-33100	BOLT, CENTER	1							
4	1	129956-33110	BOLT	1							
5	1	129E30-35100	BRACKET ASSY, FILTER	1							
13	2	23875-040000	PLUG, R04	2							
14	2	23876-040000	PLUG, R04	3							
15	2	23876-060000	PLUG, R06	1							
16	1	129122-44480	JOINT, PT1/4	1							
17	1	129949-49110	PIPE ASSY, WATER	1							
19	2	129956-49190	TUBE, CORRUGATED	1							
20	1	129956-49210	PIPE ASSY, WATER	1							
22	2	129956-49230	TUBE, CORRUGATED	1							
23	1	129466-49300	ELBOW, PT3/8	1							
24	1	23000-025000	CLAMP, 25	4							
25	1	24314-000200	O-RING, 4CP20.0	1							
26	1	24321-000600	O-RING, 1AG60.0	1							
27	1	129238-35111	PLUG	1							
28	1	24321-000600	O-RING, 1AG60.0	1							
29	1	171056-49120	PLUG, DRAIN R1/4	1							
30	1	129E20-34871	DIPSTICK, OIL	1							
32	1	129900-32030	O-RING, P20	1							
33	1	129E23-35001	PIPE ASSY, OIL INLET	1							
38	1	26106-080122	BOLT, M8X 12 PLATED	3							

Fig.12. LUB. OIL PIPE



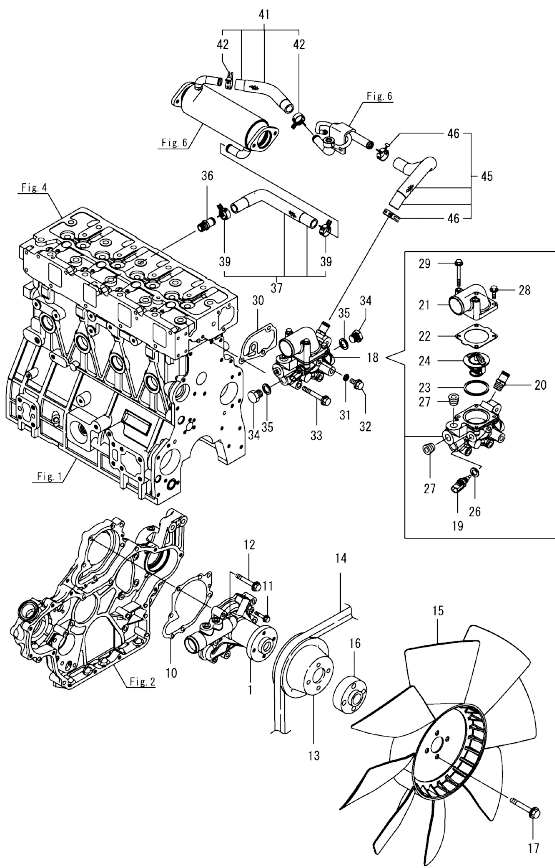
(A)=4TNV98CT-L2VYBD  
(B)=  
(C)=

(D)=  
(E)=  
(F)=

No.	Lev.	Parts No.	Description	Q'ty						I	R
				(A)	(B)	(C)	(D)	(E)	(F)		
1	1	124298-39450	SWITCH, HYDRAULIC	1							
2	1	22190-080002	WASHER, SEAL 8	1							
3	1	26106-080122	BOLT, M8X 12 PLATED	1							
4	1	121252-39150	BOLT, JOINT M10X1.5	1							
5	1	129E01-39450	PIPE ASSY, OIL	1							
6	2	129044-39900	RETAINER	2							
7	1	129005-59830	BOLT ASSY, JOINT M8	1							
7-1	1	129198-59540 (A=EC7042)	BOLT, PIPE JOINT M8	1							S
8	2	22190-080002 (A=EC7042)	WASHER, SEAL 8	1							Z
9	2	23857-030000 (A=EC7042)	BOLT, JOINT 3	1							Z
10	1	22190-080002	WASHER, SEAL 8	2							
11	1	23414-100000	GASKET, 10X1.0	2							
12	1	26106-080122	BOLT, M8X 12 PLATED	2							
13	1	124070-13300	ELBOW, PT3/8	1							
14	1	129E01-39600	PIPE, OIL RETURN	1							
14-1	1	129E01-39620 (A=EB3035)	PIPE, LO RETURN T/C	1							N
15	1	129908-39690	GASKET, RETURN PIPE	1							
16	1	123901-39820	HOSE, OIL RETURN	1							
16-1	1	129974-39830 (A=EB3035)	HOSE, LO RETURN	1							N
17	1	23000-025000	CLAMP, 25	2							
18	1	26106-060162	BOLT, M6X 16 PLATED	2							
19	1	129908-39410	VALVE ASSY, CHECK	4							
25	1	119000-39650	NOZZLE, COOLING	4							
26	1	22351-030010	PIN, SPRING 3.0X10	4							



Fig.13. COOLING WATER SYSTEM



(A)=4TNV98CT-L2VYBD  
(B)=  
(C)=

(D)=  
(E)=  
(F)=

No.	Lev.	Parts No.	Description	Q'ty						I	R
				(A)	(B)	(C)	(D)	(E)	(F)		
1	1	129932-42120	PUMP ASSY, WATER	1							
10	1	129900-42020	GASKET, WATER PUMP	1							
11	1	26106-060302	BOLT, M6X 30 PLATED	2							
12	1	26106-080552	BOLT, M8X 55 PLATED	5							
13	1	123900-42450	V-PULLEY, PUMP	1							
14	1	129979-42310	V-BELT, B46.0	1							
15	1	123945-44751	FAN, COOLING D=520	1							
16	1	123910-44771	SPACER, FAN 50MM	1							
17	1	26106-100702	BOLT, M10X 70 PLATED	4							
18	1	129E32-49800	CASE ASSY,THERMOSTAT	1							
19	2	129927-44900	SENSOR, TEMPERATURE	1							1
20	2	129928-49420	JOINT	1							
21	2	129980-49530	COVER, THERMOSTAT	1							
22	2	121850-49540	GASKET, THERMOSTAT	1							
23	2	121850-49550	GASKET, THERMOSTAT	1							
24	2	121850-49811	THERMOSTAT, 71C	1							
26	2	22190-120002	WASHER, SEAL 12	1							
27	2	23875-030000	PLUG, R03	2							
28	2	26106-060202	BOLT, M6X 20 PLATED	2							
29	2	26106-060552	BOLT, M6X 55 PLATED	2							
30	1	129900-49870	GASKET, THERMOSTAT	1							
31	1	23414-080000	GASKET, 8X1.0	1							
32	1	26106-080122	BOLT, M8X 12 PLATED	1							
33	1	26106-080602	BOLT, M8X 60 PLATED	3							
34	1	121450-42450	PLUG, M16	2							
35	1	124465-44950	GASKET, 16	2							
36	1	129928-49420	JOINT	1							
37	1	129E00-49610	HOSE, COOLER INLET	1							
39	2	129960-03990	CLAMP, HOSE 19.8	2							
41	1	129E00-49640	HOSE, COOLER OUT A	1							
42	2	129960-03990	CLAMP, HOSE 19.8	2							
45	1	129E23-49631	HOSE, COOLER OUT B	1							
46	2	129960-03990	CLAMP, HOSE 19.8	2							

Remarks

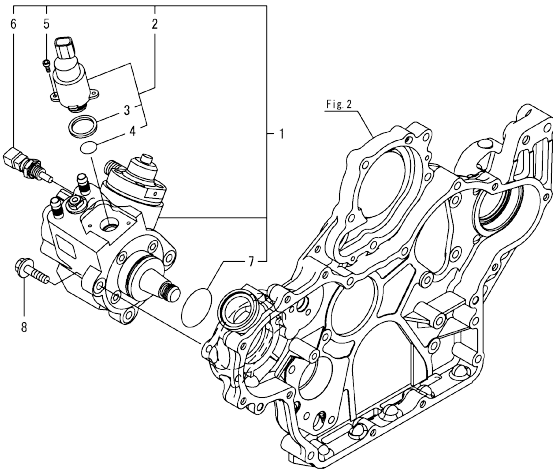
(1)When replacing this part, it is necessary to update the software of the ECU using the designated service tool. Please refer to the Service Manual for details.

Fig.14. FUEL SUPPLY PUMP

(A)=4TNV98CT-L2VYBD  
(B)=  
(C)=

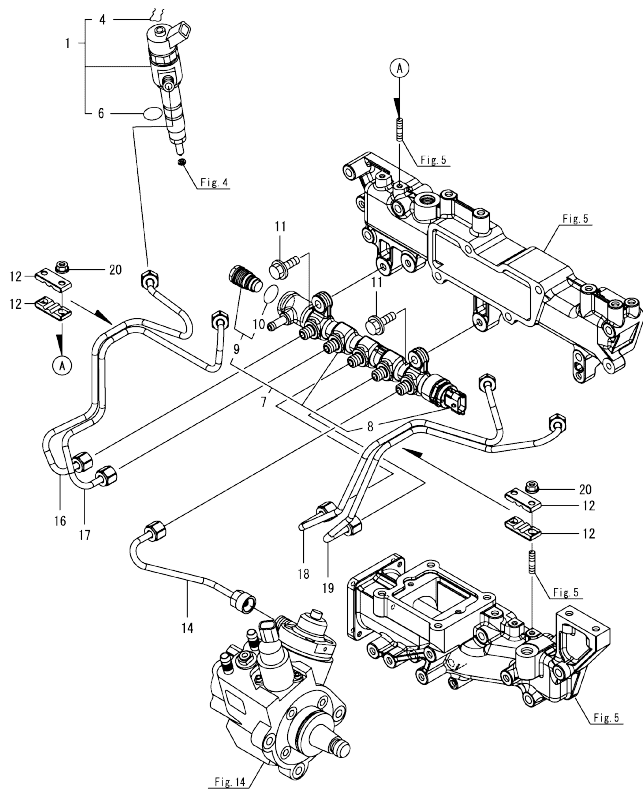
(D)=  
(E)=  
(F)=

No.	Lev.	Parts No.	Description	Q'ty						I	R
				(A)	(B)	(C)	(D)	(E)	(F)		
1	1	129A00-51000	PUMP ASSY, FUEL	1							1
2	2	129A00-51100	VALVE ASSY	1							1
3	3	129A00-51110	RING, SEAL	1							
4	3	129A00-51120	O-RING, MPROP	1							
5	2	129A00-51130	BOLT, MPROP	2							
6	2	129A00-51200	SENSOR, TEMPERATURE	1							1
7	2	129A00-51900	O-RING, FUEL PUMP	1							
8	1	26106-080302	BOLT, M8X 30 PLATED	3							



Remarks  
(1)When replacing this part, it is necessary to update the software of the ECU using the designated service tool.  
Please refer to the Service Manual for details.

Fig.15. FUEL INJECTION VALVE



(A)=4TNV98CT-L2VYBD  
(B)=  
(C)=

(D)=  
(E)=  
(F)=

No.	Lev.	Parts No.	Description	Q'ty						I	R
				(A)	(B)	(C)	(D)	(E)	(F)		
1	1	129E01-53100	INJECTOR, CR	4							1
4	2	129A00-53200	RING, RETAINING	4							
6	2	129C28-53300	O-RING	4							
7	1	129C00-57000	COMMON RAIL ASSY	1							1
8	2	129A00-57100	SENSOR, PRESSURE	1							1
9	2	129A00-57200	VALVE ASSY, PLV4	1							1
10	3	129A00-57210	O-RING, PLV4	1							
11	1	26106-080252	BOLT, M8X 25 PLATED	2							
12	1	122780-59100	RETAINER, PIPE	4							
14	1	129E00-59700	PIPE ASSY, RAIL IN	1							
16	1	129E00-59810	PIPE, INJECTION NO.1	1							
17	1	129E00-59820	PIPE, INJECTION NO.2	1							
18	1	129E00-59830	PIPE, INJECTION NO.3	1							
19	1	129E00-59840	PIPE, INJECTION NO.4	1							
20	1	26366-060002	NUT, M6	4							

Remarks

(1)When replacing this part, it is necessary to update the software of the ECU using the designated service tool. Please refer to the Service Manual for details.

OCD50-M04220 ENGINE  
 Fig.16. FUEL PIPE

OCD50-M04220 Fig.16

(A)=4TNV98CT-L2VYBD  
 (B)=  
 (C)=

(D)=  
 (E)=  
 (F)=

No.	Lev.	Parts No.	Description	Q'ty						I	R
				(A)	(B)	(C)	(D)	(E)	(F)		
1	1	129E01-59500	PIPE ASSY, FO RETURN	1							
4	2	23080-007000	CLAMP, 7	1							
5	1	129E00-59020	HOSE ASSY, RETURN	1							
8	2	23080-015000	CLAMP, 15	2							
9	1	129E00-59030	HOSE ASSY, RETURN	1							
10	2	114270-59010	CLAMP, HOSE 12	2							
13	2	129A00-91200	CLIP, BAND	1							

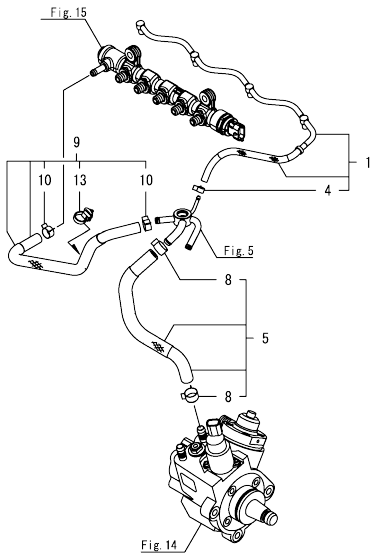
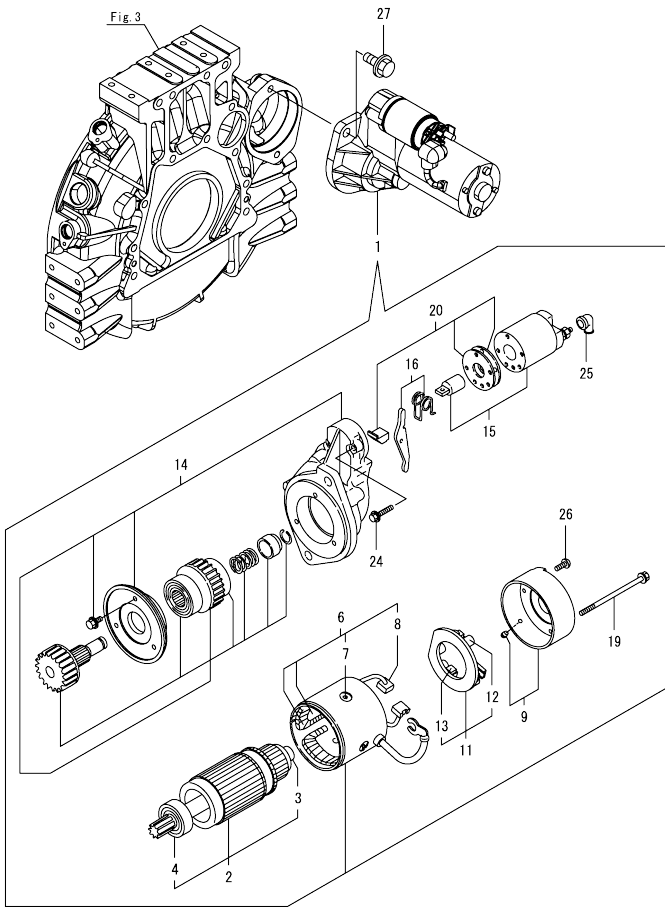


Fig.17. STARTER MOTOR

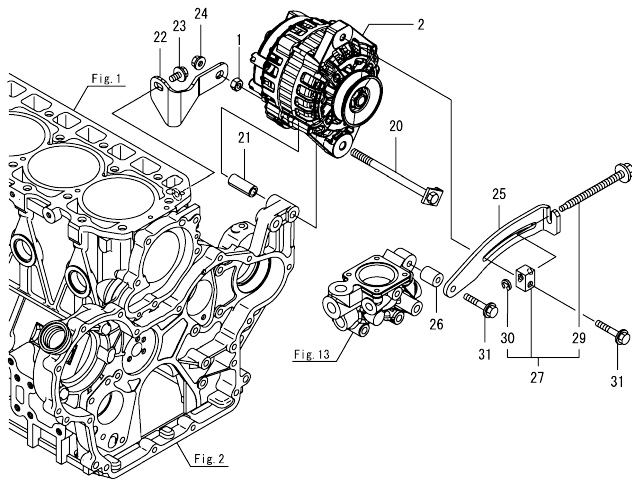


(A)=4TNV98CT-L2VYBD  
(B)=  
(C)=

(D)=  
(E)=  
(F)=

No.	Lev.	Parts No.	Description	Q'ty					
				(A)	(B)	(C)	(D)	(E)	(F)
1	1	119131-77011	STARTER ASSY, 3.5KW	1					
2	2	119131-77400	ARMATURE ASSY	1					
3	3	171008-77410	BEARING, BALL 1	1					
4	3	119131-77420	BEARING, BALL 2	1					
6	2	119131-77440	COIL ASSY, FIELD	1					
7	3	119260-77070	SCREW, CORE SET	4					
8	3	119131-77450	BRUSH, +	2					
9	2	119131-77460	COVER ASSY, REAR	1					
11	2	119131-77480	HOLDER ASSY, BRUSH	1					
12	3	119131-77490	SPRING, BRUSH	4					
13	3	119131-77500	BRUSH	2					
14	2	119131-77510	CLUTCH ASSY, PINION	1					
15	2	119131-77590	SWITCH, MAGNET	1					
16	2	119131-77620	LEVER SET, SHIFT	1					
19	2	129400-77640	BOLT, THROUGH	2					
20	2	119131-77650	COVER KIT, DUST	1					
24	2	119131-77690	BOLT, M6X37	2					
25	2	121254-77810	COVER, TERMINAL M	1					
26	2	26557-040102	SCREW, M4X10	2					
27	1	26106-120252	BOLT, M12X 25 PLATED	2					

Fig.18. GENERATOR



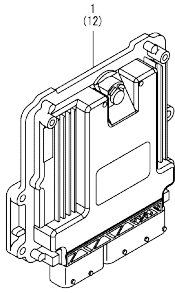
(A)=4TNV98CT-L2VYBD  
(B)=  
(C)=

(D)=  
(E)=  
(F)=

No.	Lev.	Parts No.	Description	Q'ty						I	R
				(A)	(B)	(C)	(D)	(E)	(F)		
1	1	129E30-77121	NUT, SPACER	1							
2	1	129E20-77201	ALTERNATOR	1							
20	1	129923-77250	BOLT, STOPPER M10	1							
21	1	129470-77340	PIECE, DISTANCE	1							
22	1	129923-77370	STAY, ALTERNATOR	1							
23	1	26106-080142	BOLT, M8X 14 PLATED	1							
24	1	26306-100002	NUT, M10	1							
25	1	129923-77300	ADJUSTER, BELT	1							
26	1	129E20-77340	PIECE, DISTANCE	1							
27	1	129630-77350	BLOCK ASSY, ADJUSTER	1							
29	2	129630-77380	BOLT, M8X100	1							
30	2	22272-000050	RING, E- 5	1							
31	1	26106-080452	BOLT, M8X 45 PLATED	2							

OCD50-M04220 ENGINE

Fig.19. ELECTRONIC CONTROL UNIT(ECU)



OCD50-M04220 Fig.19

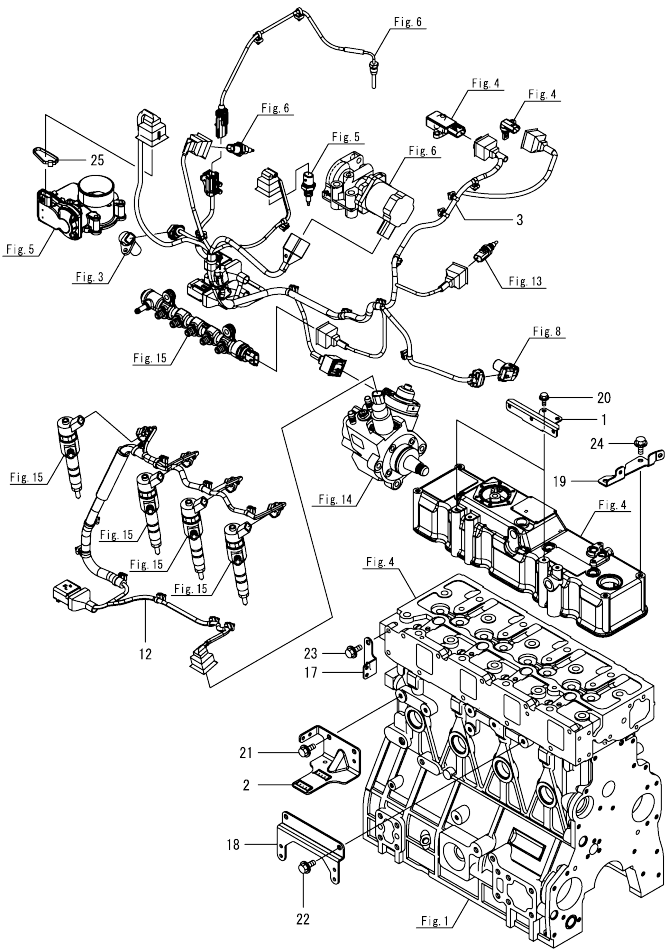
No.	Lev.	Parts No.	Description	Q'ty						I	R
				(A)	(B)	(C)	(D)	(E)	(F)		
1	1	129E30-75041	ECU ASSY,98CT-L2VYB	1							1
12	1	129A00-75980	ECU ASSY, SERVICE BB	1							2

(A)=4TNV98CT-L2VYBD  
(B)=  
(C)=

(D)=  
(E)=  
(F)=

Remarks  
(1)Eco ECU  
This part cannot be ordered.  
Replace the part using a Service ECU with the proper engine information installed.  
(2)Service ECU  
If the proper information is not installed, the engine will not operate.  
To install proper information, go to an authorized distributor.

Fig.20. ELECTRIC PARTS



(A)=4TNV98CT-L2VYBD  
(B)=  
(C)=

(D)=  
(E)=  
(F)=

No.	Lev.	Parts No.	Description	Q'ty						I	R
				(A)	(B)	(C)	(D)	(E)	(F)		
1	1	129E00-11390	BRACKET, HARNESS	2							
2	1	129E00-77910	BRACKET, CONNECTOR	1							
3	1	129E30-91230	HARNESS, B ECO ENGINE	1							
12	1	129E00-91231	HARNESS, C T4	1							
17	1	129A00-91600	BRACKET, HARNESS	1							
18	1	129E00-91600	BRACKET, HARNESS	1							
19	1	129E01-91610	BRACKET, HARNESS	1							
20	1	26106-060122	BOLT, M6X 12 PLATED	4							
21	1	26106-080122	BOLT, M8X 12 PLATED	2							
22	1	26106-080122	BOLT, M8X 12 PLATED	2							
23	1	26106-080122	BOLT, M8X 12 PLATED	2							
24	1	26106-080122	BOLT, M8X 12 PLATED	2							
25	1	29621-200000	BAND	1							

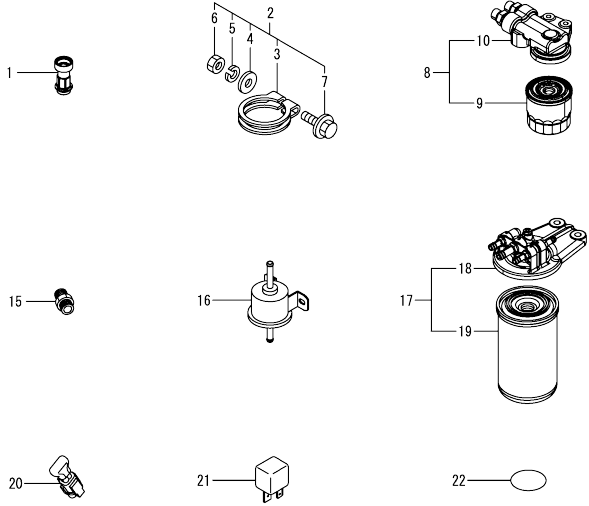


OCD50-M04220 ENGINE  
Fig.21. ACCESSORY

OCD50-M04220 Fig.21

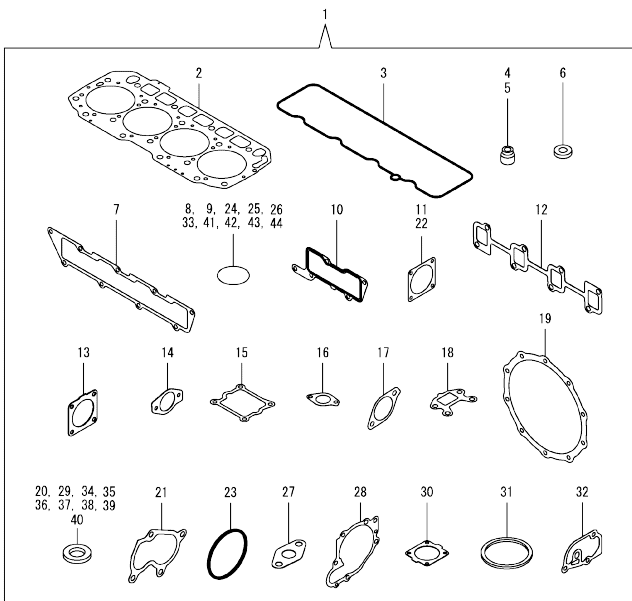
(A)=4TNV98CT-L2VYBD  
(B)=  
(C)=

(D)=  
(E)=  
(F)=



No.	Lev.	Parts No.	Description	Q'ty						I	R
				(A)	(B)	(C)	(D)	(E)	(F)		
1	1	171031-11741	PIPE, FILLER	1							
2	1	129640-13590	CLAMP ASSY	1							
3	2	129640-13580	CLAMP	1							
4	2	22117-100000	WASHER, 10	1							
5	2	22217-100000	WASHER, SPRING 10	1							
6	2	26106-100652	BOLT, M10X 65 PLATED	1							
7	2	26706-100002	NUT, M10	1							
8	1	129E30-35120	BRACKET ASSY,LO FILT	1							
8-1	1	129E30-35121	BRACKET ASSY,LO FILT	1							N
		(A=EE0593)									
9	2	129150-35153	FILTER ASSY, D80X80L	1							
10	2	129C22-35310	BRACKET ASSY, FILTER	1							
10-1	2	129E30-35330	BRACKET ASSY,LO FILT	1							N
		(A=EE0593)									
15	1	129953-39500	ADAPTER, R-G1/2	2							
15-1	1	129953-39501	ADAPTER	2							N
		(A=ED9041)									
16	1	129907-52100	PUMP, FUEL FEED	1							
17	1	129A00-55600	FILTER ASSY, FUEL	1							
18	2	129A00-55610	BRACKET ASSY, FILTER	1							
19	2	129A00-55800	FILTER, FUEL	1							
20	1	129C01-77300	RESISTOR, 3K OHM 1W	1							
21	1	129G01-77900	RELAY, 24V20A, ISO-HI	3							
22	1	24311-000320	O-RING, 1AP32.0	1							

Fig.22. GASKET SET



(A)=4TNV98CT-L2VYBD  
(B)=  
(C)=

(D)=  
(E)=  
(F)=

No.	Lev.	Parts No.	Description	Q'ty						I	R
				(A)	(B)	(C)	(D)	(E)	(F)		
1	1	129E30-92610	GASKET SET	1							1
2	2	129E00-01330	GASKET, HEAD	1							
3	2	129E00-11310	GASKET, BONNET	1							
3-1	2	129E00-11330	GASKET, BONNET	1							N
		(A=E96281)									
4	2	124460-11340	SEAL, VALVE STEM	4							
5	2	129A00-11340	SEAL, VALVE STEM	4							
6	2	129978-11871	GASKET, INJECTOR	4							
7	2	129E00-12110	GASKET, MANIFOLD	1							
8	2	129A00-12780	O-RING, EGR SENSOR	2							
9	2	129A00-12790	O-RING, TEMP SENSOR	1							
10	2	129E00-12810	GASKET, COLLECTOR	1							
11	2	129A00-12910	GASKET, THROTTLE	2							
12	2	129E00-13110	GASKET, MANIFOLD	1							
13	2	129930-13201	GASKET, SILENCER	1							
14	2	129978-13411	GASKET, EGR COOLER	2							
15	2	129E00-13720	GASKET, EGR-V SPACER	1							
16	2	129927-13810	GASKET, EGR PIPE	1							
17	2	129E00-13910	GASKET, EGR-V INLET	1							
18	2	129E00-13920	GASKET, EGR-V OUTLET	1							
19	2	129E00-16600	GASKET, DPF	2							
20	2	129A00-17311	GASKET, SENSOR	4							
21	2	123901-18080	GASKET, TURBINE OUT	1							
22	2	129472-18090	GASKET, TURBINE IN	1							
23	2	129960-21930	GASKET, WASHER	1							
24	2	129900-32030	O-RING, P20	2							
25	2	129900-32040	O-RING, P14	1							
26	2	123912-33050	O-RING	1							
27	2	129908-39690	GASKET, RETURN PIPE	1							
28	2	129900-42020	GASKET, WATER PUMP	1							
29	2	124465-44950	GASKET, 16	2							
30	2	121850-49540	GASKET, THERMOSTAT	1							
31	2	121850-49550	GASKET, THERMOSTAT	1							
32	2	129900-49870	GASKET, THERMOSTAT	1							
33	2	129A00-51900	O-RING, FUEL PUMP	1							
34	2	22190-080002	WASHER, SEAL 8	7							
35	2	22190-120002	WASHER, SEAL 12	1							
36	2	22190-140002	WASHER, SEAL 14	2							
37	2	22190-220002	WASHER, SEAL 22	1							
38	2	23414-080000	GASKET, 8X1.0	1							
39	2	23414-100000	GASKET, 10X1.0	2							
40	2	23414-120000	GASKET, 12X1.0	2							
41	2	24311-000070	O-RING, 1AP7.0	1							
42	2	24311-000120	O-RING, 1AP12.0	3							
43	2	24311-000320	O-RING, 1AP32.0	3							
44	2	24321-000600	O-RING, 1AG60.0	1							

Remarks

(1)Optional parts.

Fig.23. CYLINDER HEAD & BONNET(FROM E96281)

No.	Lev.	Parts No.	Description	Q'ty						I	R
				(A)	(B)	(C)	(D)	(E)	(F)		
1	1	129E30-92610	GASKET SET	1							1
2	2	129E00-01330	GASKET, HEAD	1							
3	2	129E00-11310	GASKET, BONNET	1							
3-1	2	129E00-11330	GASKET, BONNET	1							N
		(A=E96281)									
4	2	124460-11340	SEAL, VALVE STEM	4							
5	2	129A00-11340	SEAL, VALVE STEM	4							
6	2	129978-11871	GASKET, INJECTOR	4							
7	2	129E00-12110	GASKET, MANIFOLD	1							
8	2	129A00-12780	O-RING, EGR SENSOR	2							
9	2	129A00-12790	O-RING, TEMP SENSOR	1							
10	2	129E00-12810	GASKET, COLLECTOR	1							
11	2	129A00-12910	GASKET, THROTTLE	2							
12	2	129E00-13110	GASKET, MANIFOLD	1							
13	2	129930-13201	GASKET, SILENCER	1							
14	2	129978-13411	GASKET, EGR COOLER	2							
15	2	129E00-13720	GASKET, EGR-V SPACER	1							
16	2	129927-13810	GASKET, EGR PIPE	1							
17	2	129E00-13910	GASKET, EGR-V INLET	1							
18	2	129E00-13920	GASKET, EGR-V OUTLET	1							
19	2	129E00-16600	GASKET, DPF	2							
20	2	129A00-17311	GASKET, SENSOR	4							
21	2	123901-18080	GASKET, TURBINE OUT	1							
22	2	129472-18090	GASKET, TURBINE IN	1							
23	2	129960-21930	GASKET, WASHER	1							
24	2	129900-32030	O-RING, P20	2							
25	2	129900-32040	O-RING, P14	1							
26	2	123912-33050	O-RING	1							
27	2	129908-39690	GASKET, RETURN PIPE	1							
28	2	129900-42020	GASKET, WATER PUMP	1							
29	2	124465-44950	GASKET, 16	2							
30	2	121850-44950	GASKET, THERMOSTAT	1							
31	2	121850-49550	GASKET, THERMOSTAT	1							
32	2	129900-49870	GASKET, THERMOSTAT	1							
33	2	129A00-51900	O-RING, FUEL PUMP	1							
34	2	22190-080002	WASHER, SEAL 8	7							
35	2	22190-120002	WASHER, SEAL 12	1							
36	2	22190-140002	WASHER, SEAL 14	2							
37	2	22190-220002	WASHER, SEAL 22	1							
38	2	23414-080000	GASKET, 8X1.0	1							
39	2	23414-100000	GASKET, 10X1.0	2							
40	2	23414-120000	GASKET, 12X1.0	2							
41	2	24311-000070	O-RING, 1AP7.0	1							
42	2	24311-000120	O-RING, 1AP12.0	3							
43	2	24311-000320	O-RING, 1AP32.0	3							
44	2	24321-000600	O-RING, 1AG60.0	1							

N:Old  $\frac{100}{100}$  New, Q:Old  $\frac{100}{100}$  New, R:Old  $\frac{100}{100}$  New, S:Old  $\frac{100}{100}$  New, W:Add, Z:Discontinued, F:Interchangeable by set, K:Q'ty Change  
 Copyright (C) 2018 YANMAR GLOBAL CS CO., LTD. All Rights Reserved.

## Parts No. Index

Parts No.	Fig. No.	Ref. No.	Parts No.	Fig. No.	Ref. No.	Parts No.	Fig. No.	Ref. No.	Parts No.	Fig. No.	Ref. No.
105010-39140	8	29	123910-33100	11	3	129900-11120	4	12	129928-49420	13	36
114270-59010	16	10	123910-44771	13	16	129900-11200	4	22	129930-13201	7	1
119000-39650	12	25	123912-33050	11	2	129900-11240	4	23		22	13
119100-11330	4	57		22	26	129900-11280	4	26	129932-42120	13	1
119131-18320	6	25	123945-44751	13	15	129900-11510	4	27	129944-07910	4	86
	9	3	124070-13300	12	13	129900-11520	4	28	129949-33010	11	1
119131-77011	17	1	124160-01751	2	10	129900-11530	4	39	129949-49110	11	17
119131-77400	17	2		4	42	129900-11650	4	29	129953-39500	21	15
119131-77420	17	4	124160-11360	4	43	129900-11660	4	33	129953-39501	21	15 -1
119131-77440	17	6	124240-01871	2	17	129900-14400	8	2	129956-33110	11	4
119131-77450	17	8	124298-39450	12	1	129900-21220	10	3	129956-49190	11	19
119131-77460	17	9	124460-11340	4	14	129900-21600	10	14	129956-49210	11	20
119131-77480	17	11		22	4	129900-23001	10	24	129956-49230	11	22
119131-77490	17	12	124465-44950	13	35	129900-23200	10	27	129960-03990	13	39
119131-77500	17	13		22	29	129900-23911	10	30			42
119131-77510	17	14	124766-59050	3	18	129900-32030	2	3			46
119131-77590	17	15	129005-59830	12	7		11	32	129960-21930	10	9
119131-77620	17	16	129044-39900	12	6		22	24		22	23
119131-77650	17	20	129100-01580	2	2	129900-32040	2	4	129960-21940	10	10
119131-77690	17	24		3	1		22	25	129974-39830	12	16 -1
119225-11740	4	60	129122-44480	11	16	129900-42020	13	10	129978-03030	4	47
119225-11750	4	61	129150-02450	8	4		22	28	129978-11871	4	18
119260-77070	17	7	129150-11230	4	30	129900-49870	13	30		22	6
119309-01810	1	39			34		22	32	129978-12700	4	62
119620-01750	3	3	129150-11370	4	1	129907-03061	4	48	129978-13330	6	8
119640-61400	4	64	129150-11750	4	32	129907-03070	4	51	129978-13411	6	15
119802-13801	9	5			36	129907-52100	21	16		22	14
119803-77830	4	83	129150-11810	4	88	129908-21100	10	1	129978-17600	7	27
120130-22301	10	22	129150-14200	8	1	129908-32060	2	5	129978-17700	7	33
120270-54410	4	20	129150-35153	21	9	129908-39410	12	19	129979-42310	13	14
121252-39150	12	4	129198-59540	12	7 -1	129908-39690	12	15	129980-49530	13	21
121254-77810	17	25	129238-35111	11	27		22	27	129A00-11330	4	58
121450-42450	13	34	129400-77640	17	19	129916-01790	3	6	129A00-11340	4	15
121850-21130	10	11	129410-03990	4	76	129916-01800	2	14		22	5
121850-21290	10	4	129418-18320	6	6	129916-21610	10	7	129A00-12711	4	79
121850-21920	10	5			20	129923-77250	18	20	129A00-12721	5	5
121850-49540	13	22	129466-49300	11	23	129923-77300	18	25	129A00-12780	4	63
	22	30	129470-77340	18	21	129923-77370	18	22		22	8
121850-49550	13	23	129472-18090	9	2	129927-02340	1	33	129A00-12790	4	80
	22	31		22	22	129927-02930	1	25		22	9
121850-49811	13	24	129630-77350	18	27	129927-02940	1	36	129A00-12820	5	31
122780-59100	15	12	129630-77380	18	29	129927-13810	6	29	129A00-12910	5	33
123900-42450	13	13	129640-13580	21	3		22	16			35
123901-18080	6	24	129640-13590	21	2	129927-23600	10	28		22	11
	22	21	129795-11180	4	13	129927-23610	10	31	129A00-13350	6	11
123901-39820	12	16	129900-01200	1	28	129927-25110	8	15		7	23
123907-03100	4	52	129900-01250	1	4	129927-25920	8	31	129A00-13380	6	10
123907-03110	4	53	129900-02020	1	6	129927-42140	2	6	129A00-13752	6	27
123907-03120	4	54	129900-02410	1	9	129927-44900	13	19	129A00-14710	8	12
123907-03140	4	55	129900-11110	4	11	129928-49420	13	20	129A00-16610	7	12

## Parts No. Index

Parts No.	Fig. No.	Ref. No.	Parts No.	Fig. No.	Ref. No.	Parts No.	Fig. No.	Ref. No.	Parts No.	Fig. No.	Ref. No.
129A00-17311	7	25	129E00-01850	2	15	129E00-59700	15	14	129E30-13350	6	22
	22	20	129E00-03010	4	45	129E00-59810	15	16	129E30-16010	7	5
129A00-17520	7	29	129E00-03020	4	46	129E00-59820	15	17	129E30-16050	7	5 -1
129A00-17570	7	32	129E00-11100	4	10	129E00-59830	15	18	129E30-18020	9	6
129A00-17660	7	30	129E00-11310	22	3	129E00-59840	15	19	129E30-21560	10	12
129A00-17760	7	34	129E00-11330	4	59	129E00-77820	4	85	129E30-21600	10	8
129A00-21710	3	22		22	3 -1	129E00-77910	20	2	129E30-35100	11	5
129A00-51000	14	1	129E00-11390	20	1	129E00-91231	20	12	129E30-35120	21	8
129A00-51100	14	2	129E00-11900	4	19	129E00-91600	20	18	129E30-35121	21	8 -1
129A00-51110	14	3	129E00-12110	5	1	129E01-01500	2	1	129E30-35330	21	10 -1
129A00-51120	14	4		22	7	129E01-03020	4	72	129E30-59120	5	20
129A00-51130	14	5	129E00-12810	5	14	129E01-11330	4	57 -1	129E30-75041	19	1
129A00-51200	14	6		22	10	129E01-11710	4	2	129E30-77121	18	1
129A00-51900	14	7	129E00-13110	6	2	129E01-12100	5	3	129E30-91230	20	3
	22	33		22	12	129E01-12150	5	2	129E30-92610	22	1
129A00-53200	15	4	129E00-13400	6	14	129E01-12800	5	16	129E32-01560	1	1
129A00-55600	21	17	129E00-13610	6	16	129E01-13101	6	1	129E32-49800	13	18
129A00-55610	21	18	129E00-13710	5	18	129E01-13300	6	7	129F01-13610	6	3
129A00-55800	21	19	129E00-13720	5	19	129E01-13700	5	17	129F01-13650	6	17
129A00-57100	15	8		22	15	129E01-16201	7	6			23
129A00-57200	15	9	129E00-13770	6	4	129E01-16230	7	6 -1	129G01-12900	5	32
129A00-57210	15	10	129E00-13800	6	28	129E01-18011	9	1	129G01-77900	21	21
129A00-75980	19	12	129E00-13851	6	18	129E01-18200	5	8	171008-77410	17	3
129A00-91200	6	5	129E00-13861	6	19	129E01-18220	5	10	171031-11741	21	1
	7	36	129E00-13910	6	33	129E01-22080	10	16	171051-01921	1	5
	16	13		22	17	129E01-22900	10	33	171056-49120	11	29
129A00-91430	7	38	129E00-13920	6	34	129E01-39450	12	5	22117-100000	21	4
129A00-91600	20	17		22	18	129E01-39600	12	14	22190-080002	8	30
129A01-18210	5	9	129E00-13960	6	32	129E01-39620	12	14 -1		12	2
129C00-13860	7	3 -1	129E00-14101	8	6	129E01-53100	15	1			8
129C00-13870	7	4 -1	129E00-14581	8	3	129E01-59500	16	1			10
129C00-13940	7	3	129E00-14700	8	8	129E01-91610	20	19			22
129C00-13950	7	4	129E00-16600	7	11	129E20-16550	7	10	22190-120002	13	34
129C00-57000	15	7		22	19	129E20-34871	11	30		22	35
129C00-91200	7	37	129E00-16801	7	18	129E20-59500	3	17	22190-140002	5	21
129C01-03060	4	77	129E00-17300	7	24	129E20-77201	18	2		22	36
129C01-03180	4	77 -1	129E00-17350	7	26	129E20-77340	18	26	22190-220002	3	20
129C01-16400	7	8	129E00-22050	10	18	129E20-77800	4	84		22	37
129C01-16680	7	13	129E00-22950	10	35	129E23-35001	11	33	22217-100000	21	5
129C01-16700	7	14	129E00-25050	8	14	129E23-49631	13	45	22217-180000	8	20
129C01-16710	7	15	129E00-25060	8	22	129E30-01620	3	2	22242-000180	4	37
129C01-16730	7	16	129E00-25080	8	32	129E30-01630	3	8	22252-000300	10	23
129C01-16740	7	17	129E00-25121	8	23	129E30-01700	3	9	22272-000050	18	30
129C01-77300	21	20	129E00-25200	8	26	129E30-01720	3	7	22351-030010	8	9
129C22-35310	21	10	129E00-25400	8	28	129E30-03380	4	77 A		12	26
129C28-53300	15	6	129E00-25902	8	19	129E30-11301	4	44 -1	22351-060012	1	11
129C35-17760	7	42	129E00-49610	13	37	129E30-11350	4	44	22512-070140	8	7
129E00-01330	1	29	129E00-49640	13	41	129E30-12060	4	78		10	6
	22	2	129E00-59020	16	5	129E30-12850	5	15	22857-500100	4	65
129E00-01580	2	12	129E00-59030	16	9	129E30-12900	5	30			66

## Parts No. Index

Parts No.	Fig. No.	Ref. No.
23000-025000	11	24
	12	17
23000-054000	5	11
23000-060000	5	12
23000-075000	5	13
23001-060000	4	81
23080-007000	16	4
23080-015000	16	8
23414-080000	13	31
	22	38
23414-100000	12	11
	22	39
23414-120000	6	12
	22	40
23857-030000	12	9
23857-080000	5	22
23875-030000	13	27
23875-040000	11	13
23876-005000	4	8
23876-030000	1	12
		13
		14
		15
23876-040000	11	14
23876-060000	11	15
24311-000070	2	7
	22	41
24311-000120	4	70
	22	42
24311-000300	4	67
24311-000320	2	11
	4	68
		71
	21	22
	22	43
24314-000200	11	25
24316-000180	4	66 A
24321-000600	11	26
		28
	22	44
26106-060122	20	20
26106-060142	5	23
26106-060162	4	82
	7	39
	12	18
26106-060202	5	36
	13	28
26106-060302	13	11
26106-060452	5	34
26106-060552	13	29

Parts No.	Fig. No.	Ref. No.
26106-060902	5	37
26106-080122	3	21
	11	38
	12	3
		12
	13	32
	20	21
		22
		23
		24
26106-080142	7	19
	8	10
	18	23
26106-080162	2	8
		18
		19
	4	77 B
		87
	6	13
26106-080202	6	21
	7	35
		43
26106-080252	15	11
26106-080302	4	77 C
	14	8
26106-080352	4	21
	5	24
26106-080402	2	20
26106-080452	2	9
	5	6
	8	27
	18	31
26106-080502	8	18
26106-080552	5	7
	13	12
26106-080602	13	33
26106-080702	2	21
26106-080752	5	26
26106-080902	5	27
26106-100202	7	40
26106-100222	7	20
26106-100252	6	30
26106-100602	6	35
26106-100652	4	40
	21	6
26106-100702	13	17
26106-120252	17	27
26206-100352	3	4
26206-100952	3	5
26216-060202	5	4

Parts No.	Fig. No.	Ref. No.
26216-060202	5	25
26216-081002	5	28
26306-080002	5	29
	6	26
		31
	7	21
		41
	9	4
26306-100002	4	41
	18	24
26366-060002	15	20
26450-060162	3	23
	4	69
		69 -1
	8	13
26557-040102	17	26
26557-050082	4	49
26577-040162	4	38
26577-060122	8	11
26587-050102	4	50
26706-100002	21	7
26776-180002	8	21
27241-300000	1	10
27241-400000	4	9
27310-080001	4	16
29621-200000	20	25
729927-02800	1	30

Parts No.	Fig. No.	Ref. No.
-----------	----------	----------