

0CD50-M05060EN

P R E F A C E

This parts catalog is the 1st edition of 4TNV98C-L2WKBH for KATO WORKS.

Published : April, 2019

Contents

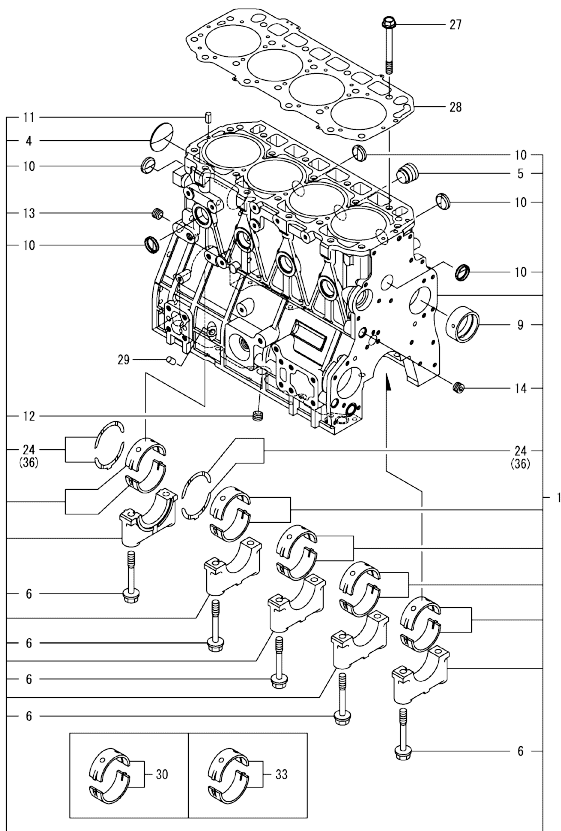
OCD50-M05060

Fig. No.	Fig. Name	Fig. No.	Fig. Name
ENGINE			
1.	CYLINDER BLOCK		
2.	GEAR HOUSING		
3.	FLYWHEEL HOUSING & OIL SUMP		
4.	CYLINDER HEAD & BONNET		
5.	SUCTION MANIFOLD		
6.	EXHAUST MANIFOLD		
7.	DIESEL PARTICULATE FILTER(DPF)		
8.	CAMSHAFT & DRIVING GEAR		
9.	CRANKSHAFT & PISTON		
10.	LUB. OIL SYSTEM		
11.	COOLING WATER SYSTEM		
12.	FUEL SUPPLY PUMP		
13.	FUEL INJECTION VALVE		
14.	FUEL PIPE		
15.	STARTER MOTOR		
16.	GENERATOR		
17.	ELECTRONIC CONTROL UNIT(ECU)		
18.	ELECTRIC PARTS		
19.	ACCESSORY		

Fig.1. CYLINDER BLOCK

(A)=4TNV98C-L2WKBH
(B)=
(C)=

(D)=
(E)=
(F)=



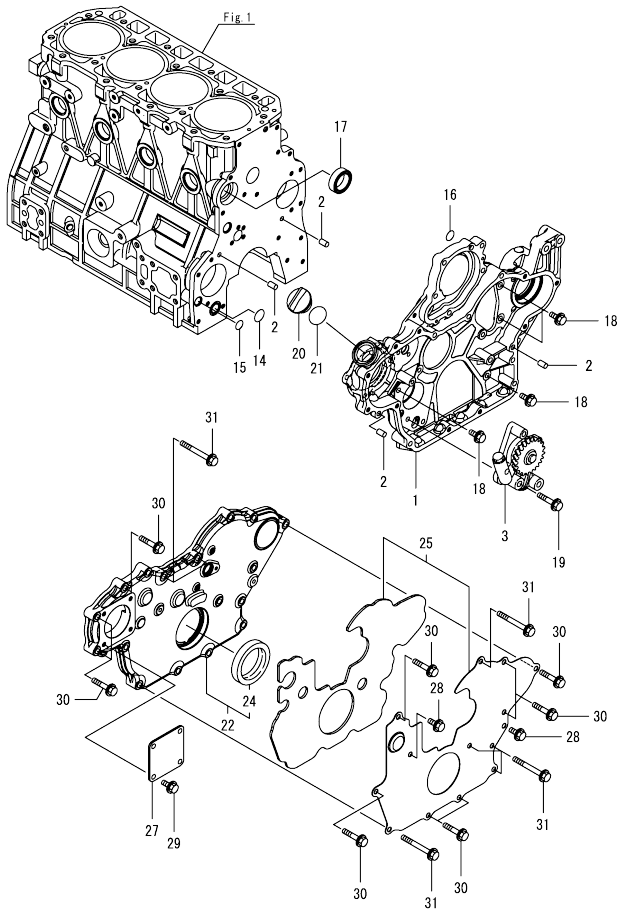
No.	Lev.	Parts No.	Description	Q'ty						I	R
				(A)	(B)	(C)	(D)	(E)	(F)		
1	1	129E00-01570	BLOCK ASSY, CYLINDER	1							
4	2	129900-01250	PLUG, 55	1							
5	2	171051-01921	PLUG, NPTF1	1							
6	2	129900-02020	BOLT, METAL CAP	10							
9	2	129900-02410	BUSH, CAMSHAFT	1							
10	2	27241-300000	PLUG 30	8							
11	2	22351-060012	PIN, SPRING 6.0X12	2							
12	2	23876-030000	PLUG, R03	1							
13	2	23876-030000	PLUG, R03	1							
14	2	23876-030000	PLUG, R03	1							
24	2	129927-02930	BEARING ASSY, THRUST	2							
27	1	129900-01200	BOLT, CYLINDER HEAD	18							
28	1	129E00-01330	GASKET, HEAD	1							
29	1	119309-01810	PLUG	1							
30	1	729927-02800	BEARING ASSY, MAIN	5							1
33	1	129927-02340	BEARING ASSY, MAIN US	5							2
36	1	129927-02940	BEARING, THRUST 0.25OS	2							3

Remarks
(1) Spare parts.
(2) Under-sized (U.S.=0.25) parts.
(3) Over-sized (O.S.=0.25) parts.

Fig.2. GEAR HOUSING

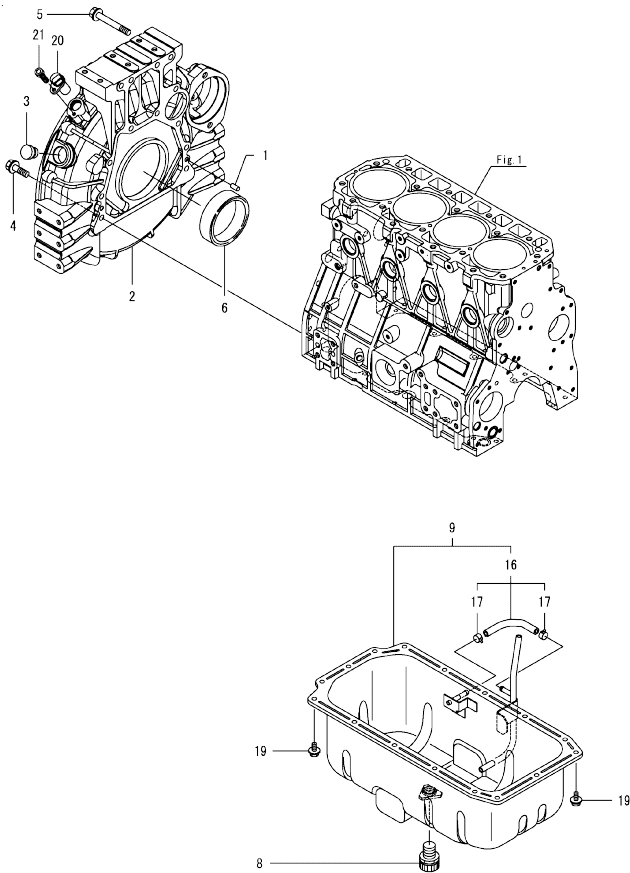
(A)=4TNV98C-L2WKBH
(B)=
(C)=

(D)=
(E)=
(F)=



No.	Lev.	Parts No.	Description	Q'ty						I	R
				(A)	(B)	(C)	(D)	(E)	(F)		
1	1	129E00-01500	CASE, GEAR	1							
2	1	129100-01580	PIN, PARALLEL 8X16	4							
3	1	129900-32001	PUMP ASSY, OIL	1							
14	1	129900-32030	O-RING, P20	1							
15	1	129900-32040	O-RING, P14	1							
16	1	24311-000070	O-RING, 1AP7.0	1							
17	1	129927-42140	GASKET, PUMP OUTLET	1							
18	1	26106-080162	BOLT, M8X 16 PLATED	4							
19	1	26106-080452	BOLT, M8X 45 PLATED	3							
20	1	124160-01751	CAP, FILLER	1							
21	1	24311-000320	O-RING, 1AP32.0	1							
22	1	129E00-01580	COVER ASSY, CASE	1							
24	2	129916-01800	SEAL, OIL	1							
25	1	129E00-01850	COVER ASSY, CASE	1							
27	1	124240-01871	COVER, HYDRAULIC PUMP	1							
28	1	26106-080162	BOLT, M8X 16 PLATED	2							
29	1	26106-080162	BOLT, M8X 16 PLATED	4							
30	1	26106-080402	BOLT, M8X 40 PLATED	10							
31	1	26106-080702	BOLT, M8X 70 PLATED	7							

Fig.3. FLYWHEEL HOUSING & OIL SUMP



(A)=4TNV98C-L2WKBH
(B)=
(C)=

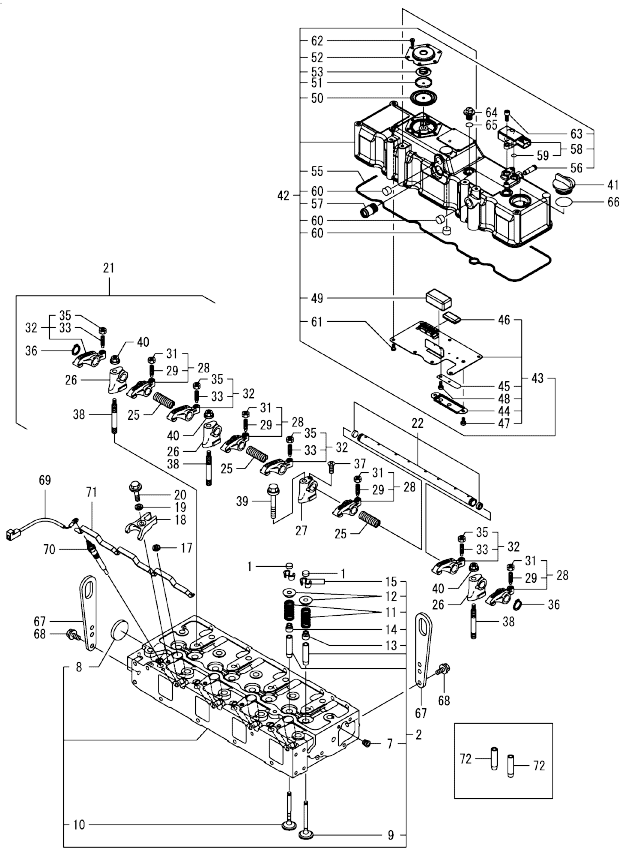
(D)=
(E)=
(F)=

No.	Lev.	Parts No.	Description	Q'ty						I	R
				(A)	(B)	(C)	(D)	(E)	(F)		
1	1	129100-01580	PIN, PARALLEL 8X16	2							
2	1	129E00-01620	HOUSING, FLYWHEEL	1							
3	1	119620-01750	CAP, WHEEL COVER	1							
4	1	26206-100352	BOLT, M10X 35 PLATED	9							
5	1	26206-100952	BOLT, M10X 95 PLATED	4							
6	1	129916-01790	SEAL, D115/95XT11	1							
8	1	129906-01640	COCK, DRAIN	1							
9	1	129E20-01700	OIL PAN ASSY	1							
16	2	129E20-59500	HOSE ASSY	1							
17	3	124766-59050	CLAMP, HOSE 11.5	2							
19	1	26106-080122	BOLT, M8X 12 PLATED	16							
20	1	129A00-21710	SENSOR, FLYWHEEL	1							1
21	1	26450-060162	BOLT, M6X 16	1							

Remarks

(1)When replacing this part, it is necessary to update the software of the ECU using the designated service tool. Please refer to the Service Manual for details.

Fig.4. CYLINDER HEAD & BONNET



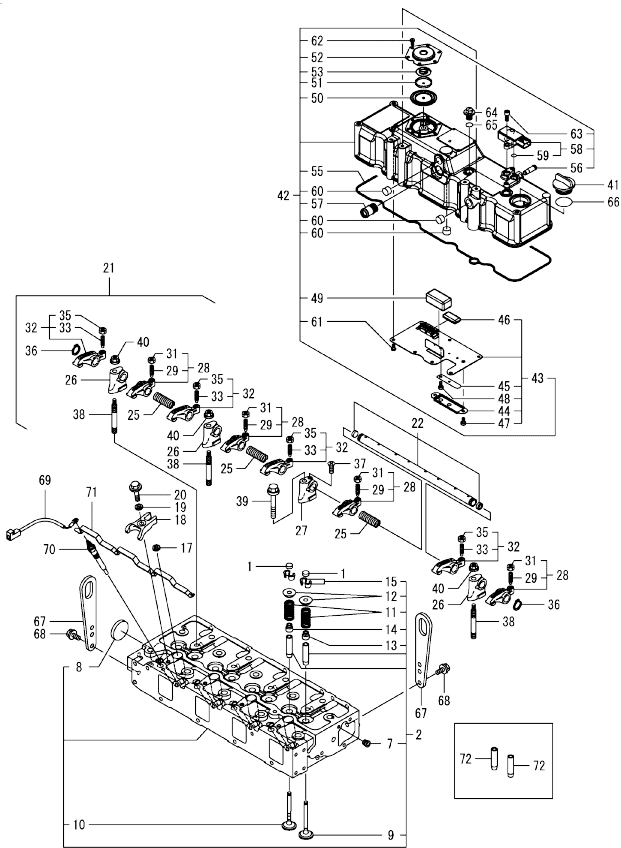
(A)=4TNV98C-L2WKBH
(B)=
(C)=

(D)=
(E)=
(F)=

No.	Lev.	Parts No.	Description	Q'ty						I	R
				(A)	(B)	(C)	(D)	(E)	(F)		
1	1	129150-11370	CAP. VALVE	8							
2	1	129E00-11720	HEAD ASSY, CYLINDER	1							
7	2	23876-005000	PLUG, R005	1							
8	2	27241-400000	PLUG, 40	1							
9	2	129E00-11100	VALVE, INTAKE	4							
10	2	129900-11110	VALVE, EXHAUST	4							
11	2	129900-11120	SPRING, VALVE	8							
12	2	129795-11180	RETAINER, SPRING	8							
13	2	124460-11340	SEAL, VALVE STEM	4							
14	2	129A00-11340	SEAL, VALVE STEM	4							
15	2	27310-080001	COTTER, 8	8							
17	1	129978-11871	GASKET, INJECTOR	4							
18	1	129E00-11900	RETAINER, INJECTOR	4							
19	1	120270-54410	WASHER, INJECTOR	4							
20	1	26106-080352	BOLT, M8X 35 PLATED	4							
21	1	129900-11200	SUPPORT ASSY, ROCKER	1							
22	2	129900-11240	SHAFT ASSY, ROCKER	1							
25	2	129900-11280	SPRING, SHAFT	3							
26	2	129900-11510	SUPPORT, ROCKER A	3							
27	2	129900-11520	SUPPORT, ROCKER B	1							
28	2	129900-11650	ARM ASSY, ROCKER INT	4							
29	3	129150-11230	SCREW, VALVE ADJUST	4							
31	3	129150-11750	NUT, M8XP1.0	4							
32	2	129900-11660	ARM ASSY, ROCKER EXH	4							
33	3	129150-11230	SCREW, VALVE ADJUST	4							
35	3	129150-11750	NUT, M8XP1.0	4							
36	2	22242-000180	RING, 18	2							
37	2	26577-040162	SCREW, M4X16	1							
38	1	129900-11530	BOLT, SUPPORT	3							
39	1	26106-100652	BOLT, M10X 65 PLATED	1							
40	1	26306-100002	NUT, M10	3							
41	1	124160-01751	CAP, FILLER	1							
42	1	129E00-11360	BONNET ASSY, HEAD	1							
43	2	129E00-03010	PLATE, BAFFLE	1							
44	3	129E00-03020	COVER, PLATE SPRING	1							
45	3	129978-03030	SPRING, PLATE	1							
46	3	129907-03061	BAFFLE, BREATHER	1							
47	3	26557-050082	SCREW, M5X 8	2							
48	3	26587-050102	SCREW, M5X10	1							
49	2	129907-03070	BAFFLE, BREATHER	1							
50	2	123907-03100	DIAPHRAGM, BREATHER	1							
51	2	123907-03110	PLATE, CENTER	1							
52	2	123907-03120	PLATE, BREATHER	1							
53	2	123907-03140	SPRING, DIAPHRAGM	1							
55	2	129E00-11330	GASKET, BONNET	1							
56	2	129A00-11330	JOINT	1							
57	2	129001-11340	PIPE, BREATHER	1							
58	2	129978-12700	SENSOR, PRESSURE	1							1
59	3	129A00-12780	O-RING, EGR SENSOR	2							
60	2	119640-61400	PLUG	3							
61	2	22857-500100	SCREW, 5X10	7							

Remarks
(1)When replacing this part, it is necessary to update the software of the ECU using the designated service tool. Please refer to the Service Manual for details.
(2)Spare parts.

Fig.4. CYLINDER HEAD & BONNET



(A)=4TNV98C-L2WKBH
(B)=
(C)=

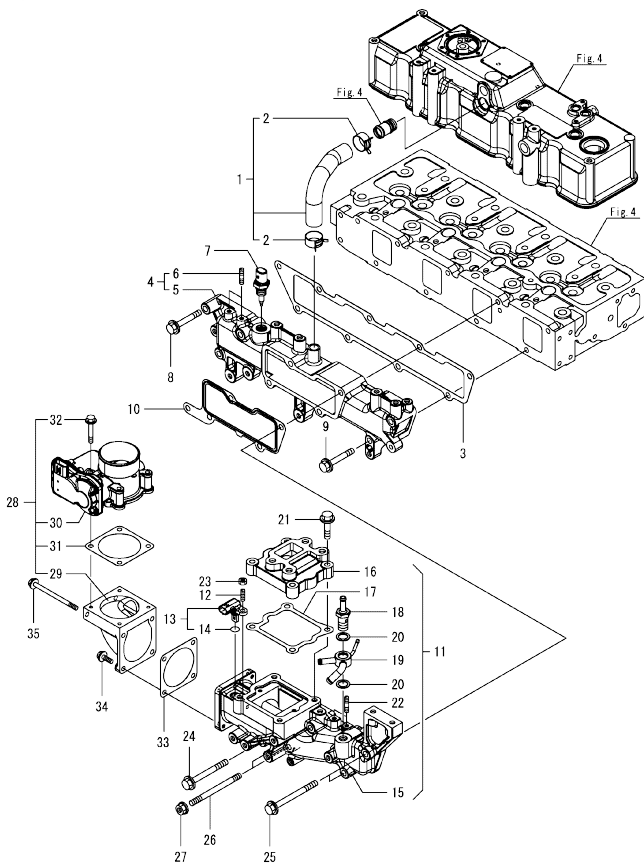
(D)=
(E)=
(F)=

No.	Lev.	Parts No.	Description	Q'ty						I	R
				(A)	(B)	(C)	(D)	(E)	(F)		
62	2	22857-500100	SCREW, 5X10	6							
63	2	26450-060162	BOLT, M6X 16	2							
64	1	124160-11360	KNOB, BONNET	3							
65	1	24311-000120	O-RING, 1AP12.0	3							
66	1	24311-000320	O-RING, 1AP32.0	1							
67	1	129900-07900	LIFTER, ENGINE	2							
68	1	26106-080162	BOLT, M8X 16 PLATED	4							
69	1	119803-77830	HARNESS, WIRE	1							
70	1	129E20-77800	PLUG, GLOW 24V	4							
71	1	129E00-77820	CONNECTOR, GLOW PLUG	1							
72	1	129150-11810	GUIDE, VALVE	8							2

Remarks

- (1)When replacing this part, it is necessary to update the software of the ECU using the designated service tool. Please refer to the Service Manual for details.
- (2)Spare parts.

Fig.5. SUCTION MANIFOLD



(A)=4TNV98C-L2WKBH
(B)=
(C)=

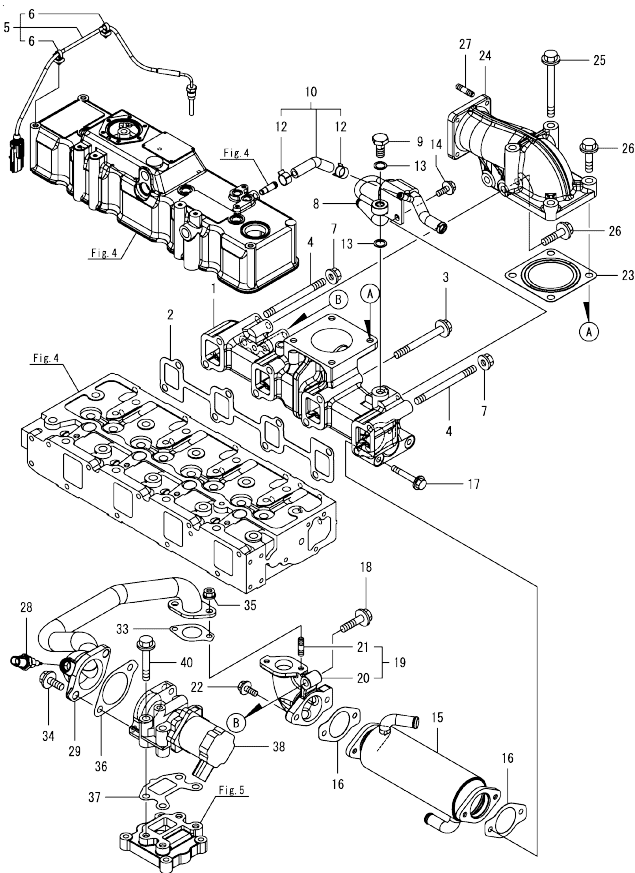
(D)=
(E)=
(F)=

No.	Lev.	Parts No.	Description	Q'ty						I	R
				(A)	(B)	(C)	(D)	(E)	(F)		
1	1	129005-03080	HOSE ASSY, BREATHER	1							
2	2	129410-03990	CLAMP, HOSE 21.5	2							
3	1	129E00-12110	GASKET, MANIFOLD	1							
4	1	129E00-12151	MANIFOLD ASSY,INTAKE	1							
5	2	129E00-12101	MANIFOLD, INTAKE	1							
6	2	26216-060202	STUD, M6X 20	2							
7	1	129A00-12721	SENSOR,AIR TEMP	1							1
8	1	26106-080452	BOLT, M8X 45 PLATED	1							
9	1	26106-080552	BOLT, M8X 55 PLATED	4							
10	1	129E00-12810	GASKET, COLLECTOR	1							
11	1	129E00-12850	COLLECTOR ASSY	1							
12	2	119660-01570	STUD, M6X12	1							
13	2	129A00-12711	SENSOR, TEMPERATURE	1							
14	3	129A00-12790	O-RING, TEMP SENSOR	1							
15	2	129E00-12800	COLLECTOR	1							
16	2	129E00-13710	SPACER, EGR VALVE	1							
17	2	129E00-13720	GASKET, EGR-V SPACER	1							
18	2	129A00-59110	JOINT, HOSE M14	1							
19	2	129E00-59120	JOINT, HOSE 14	1							
20	2	22190-140002	WASHER, SEAL 14	2							
21	2	26106-080352	BOLT, M8X 35 PLATED	4							
22	2	26216-060202	STUD, M6X 20	2							
23	2	26716-060002	NUT, M6	1							
24	1	26106-080752	BOLT, M8X 75 PLATED	1							
25	1	26106-080902	BOLT, M8X 90 PLATED	2							
26	1	26216-081002	STUD, M8X100	2							
27	1	26306-080002	NUT, M8	2							
28	1	129E30-12900	THROTTLE ASSY, INT	1							
29	2	129A00-12820	BEND, INTAKE	1							
30	2	129G01-12900	THROTTLE, INT	1							1
31	2	129A00-12910	GASKET, THROTTLE	1							
32	2	26106-060452	BOLT, M6X 45 PLATED	4							
33	1	129A00-12910	GASKET, THROTTLE	1							
34	1	26106-060202	BOLT, M6X 20 PLATED	2							
35	1	26106-060902	BOLT, M6X 90 PLATED	2							

Remarks

(1)When replacing this part, it is necessary to update the software of the ECU using the designated service tool. Please refer to the Service Manual for details.

Fig.6. EXHAUST MANIFOLD



(A)=4TNV98C-L2WKBH
(B)=
(C)=

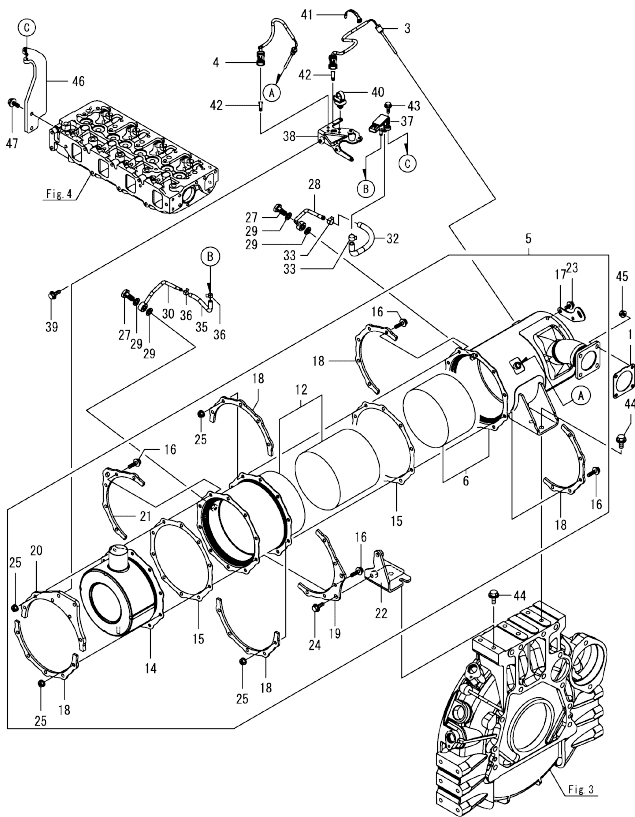
(D)=
(E)=
(F)=

No.	Lev.	Parts No.	Description	Q'ty						I	R
				(A)	(B)	(C)	(D)	(E)	(F)		
1	1	129E00-13101	MANIFOLD, EXHAUST	1							
2	1	129E00-13110	GASKET, MANIFOLD	1							
3	1	129F01-13610	BOLT, M10X95 10.9T	6							
4	1	129A01-13710	STUD, M10X95 10.9T	2							1
5	1	129E00-13770	SENSOR, TEMPERATURE	1							
6	2	129A00-91200	CLIP, BAND	2							
7	1	26306-100002	NUT, M10	2							
8	1	129E21-13300	PIPE, PRESSURE	1							
9	1	129A00-13350	BOLT, PIPE JOINT	1							
10	1	129E00-13360	HOSE ASSY, PRESSURE	1							
12	2	129A00-13380	CLIP, HOSE 14	2							
13	1	23414-120000	GASKET, 12X1.0	2							
14	1	26106-080162	BOLT, M8X 16 PLATED	2							
15	1	129E00-13400	COOLER, EGR	1							
16	1	129E00-13410	GASKET, EGR COOLER	2							
17	1	129E00-13610	BOLT, M8X50 10.9	2							
18	1	129F01-13650	BOLT, M10X40 10.9T	1							
19	1	129E00-13851	BEND, COOLER OUTLET	1							
20	2	129E00-13861	BEND, COOLER OUTLET	1							
21	2	129418-18320	STUD, M8X20	2							
22	1	26106-080202	BOLT, M8X 20 PLATED	2							
23	1	128300-13230	GASKET, SILENCER	1							
24	1	129E00-13350	PIPE, EXHAUST	1							
25	1	129F01-13640	BOLT, M10X100 10.9	2							
26	1	129F01-13650	BOLT, M10X40 10.9T	4							
27	1	119131-18320	STUD, M8X22	4							
28	1	129A00-13752	SENSOR, EGR GAS TEMP	1							1
29	1	129E00-13800	PIPE ASSY, EGR	1							
33	1	129927-13810	GASKET, EGR PIPE	1							
34	1	26106-100252	BOLT, M10X 25 PLATED	2							
35	1	26306-080002	NUT, M8	2							
36	1	129E00-13910	GASKET, EGR-V INLET	1							
37	1	129E00-13920	GASKET, EGR-V OUTLET	1							1
38	1	129E00-13960	VALVE, EGR 24V IDENT	1							1
40	1	26106-100602	BOLT, M10X 60 PLATED	4							

Remarks

(1)When replacing this part, it is necessary to update the software of the ECU using the designated service tool. Please refer to the Service Manual for details.

Fig.7. DIESEL PARTICULATE FILTER(DPF)



(A)=4TNV98C-L2WKBH
(B)=
(C)=

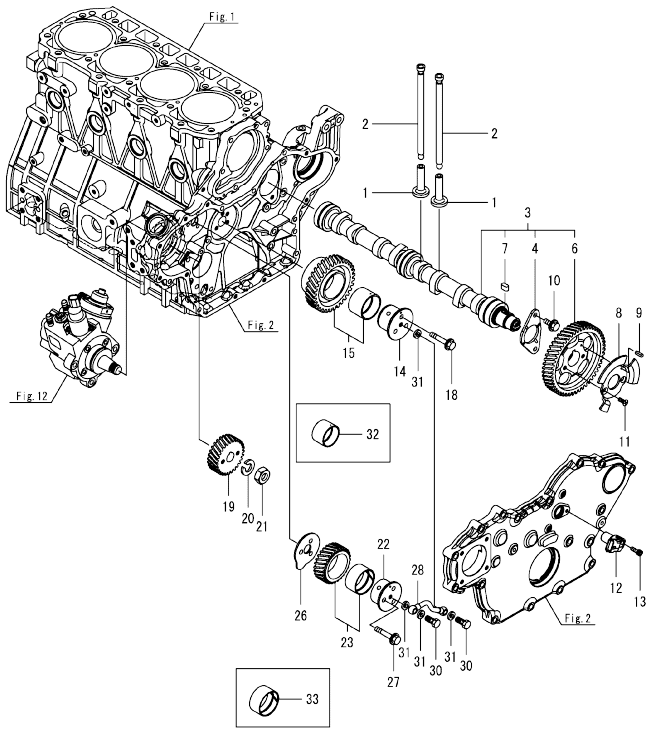
(D)=
(E)=
(F)=

No.	Lev.	Parts No.	Description	Q'ty						I	R
				(A)	(B)	(C)	(D)	(E)	(F)		
1	1	129930-13201	GASKET, SILENCER	1							
3	1	129C00-13940	SENSOR, TEMPERATURE	1							1
3-1	1	129C00-13860	SENSOR, ATD TEMP.DS+	1							N 1
(A=EC3404)											
4	1	129C00-13950	SENSOR, TEMPERATURE	1							1
4-1	1	129C00-13870	SENSOR, ATD TEMP.DS+	1							N 1
(A=EC3404)											
5	1	129E30-16010	DPF ASSY	1							1
5-1	1	129E30-16050	DPF ASSY	1							N 1
(A=EC3404)											
5-2	1	129E20-16120	DPF ASSY	1							N 1
(A=EC8352)											
6	2	129E01-16201	CASE, DOC	1							1
6-1	2	129E01-16230	CASE, DOC	1							N 1
(A=EC3404)											
6-2	2	129E00-16230	CASE, DOC	1							N 1
(A=EC8352)											
12	2	129C01-16400	CASE, SOOT FILTER	1							1
14	2	129E20-16550	SILENCER, DPF	1							
15	2	129E00-16600	GASKET, DPF	2							
16	2	129A00-16610	BOLT, M8X28 10.9T	20							
17	2	129C01-16680	LIFTER, DPF	1							
18	2	129C01-16700	STIFFENER, DPF A	5							
19	2	129C01-16710	STIFFENER, DPF B	1							
20	2	129C01-16730	STIFFENER, DPF C	1							
21	2	129C01-16740	STIFFENER, DPF C	1							
22	2	129E00-16801	STAY, DPF	1							
23	2	26106-080142	BOLT, M8X 14 PLATED	2							
24	2	26106-100222	BOLT, M10X 22 PLATED	2							
25	2	26306-080002	NUT, M8	20							
27	1	129A00-13350	BOLT, PIPE JOINT	2							
28	1	129E00-17300	PIPE ASSY, PRESSURE	1							
29	1	129A00-17311	GASKET, SENSOR	4							
30	1	129E00-17350	PIPE ASSY, PRESSURE	1							
32	1	129978-17500	HOSE, PRES EXH	1							
33	1	129A00-17520	CLIP, HOSE	2							
35	1	129A00-17560	HOSE, PRES EXH	1							
36	1	129A00-17570	CLIP, HOSE	2							
37	1	129978-17700	SENSOR, PRESSURE	1							1
38	1	129A00-17760	BRACKET, SENSOR	1							
39	1	26106-080202	BOLT, M8X 20 PLATED	2							
40	1	129A00-91200	CLIP, BAND	1							
41	1	129C00-91200	BAND	1							
42	1	129A00-91430	CLIP, CONNECTOR	2							
43	1	26106-060162	BOLT, M6X 16 PLATED	2							
44	1	26106-100202	BOLT, M10X 20 PLATED	4							
45	1	26306-080002	NUT, M8	4							
46	1	129C35-17760	BRACKET, PRES SENSOR	1							
47	1	26106-080202	BOLT, M8X 20 PLATED	2							

Remarks

(1)When replacing this part, it is necessary to update the software of the ECU using the designated service tool. Please refer to the Service Manual for details.

Fig.8. CAMSHAFT & DRIVING GEAR



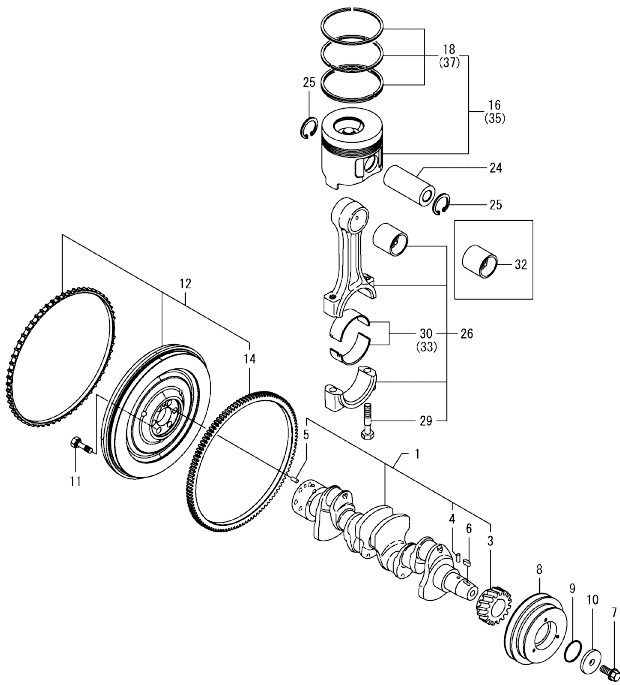
(A)=4TNV98C-L2WKBH
(B)=
(C)=

(D)=
(E)=
(F)=

No.	Lev.	Parts No.	Description	Q'ty						I	R
				(A)	(B)	(C)	(D)	(E)	(F)		
1	1	129150-14200	TAPPET	8							
2	1	129900-14400	ROD, PUSH	8							
3	1	129E00-14581	CAMSHAFT ASSY	1							
4	2	129150-02450	METAL, THRUST	1							
6	2	129E00-14101	GEAR, CAMSHAFT	1							
7	2	22512-070140	KEY, 7X 14	1							
8	1	129E00-14700	PULSER, CAM GEAR	1							
9	1	22351-030010	PIN, SPRING 3.0X10	1							
10	1	26106-080142	BOLT, M8X 14 PLATED	2							
11	1	26577-060122	SCREW, M6X12	2							
12	1	129A00-14710	SENSOR, ROTATION	1							
13	1	26450-060162	BOLT, M6X 16	1							
14	1	129E00-25050	SHAFT, IDLE GEAR A	1							
15	1	129927-25110	GEAR ASSY, IDLE	1							
18	1	26106-080502	BOLT, M8X 50 PLATED	3							
19	1	129E00-25902	GEAR, SUPPLY PUMP	1							
20	1	22217-180000	WASHER, SPRING 18	1							
21	1	26776-180002	NUT, LOCK M18	1							
22	1	129E00-25060	SHAFT, IDLE GEAR B	1							
23	1	129E00-25121	GEAR ASSY, IDLE B	1							
26	1	129E00-25200	PLATE, IDLE SHAFT B	1							
27	1	26106-080452	BOLT, M8X 45 PLATED	3							
28	1	129E00-25400	PIPE ASSY, OIL	1							
30	1	105010-39140	BOLT, PIPE JOINT M8	2							
31	1	22190-080002	WASHER, SEAL 8	4							
32	1	129927-25920	BUSH, IDLE GEAR	1							1
33	1	129E00-25080	BUSH, IDLE GEAR B	1							1

Remarks
(1)Spare parts.

Fig.9. CRANKSHAFT & PISTON



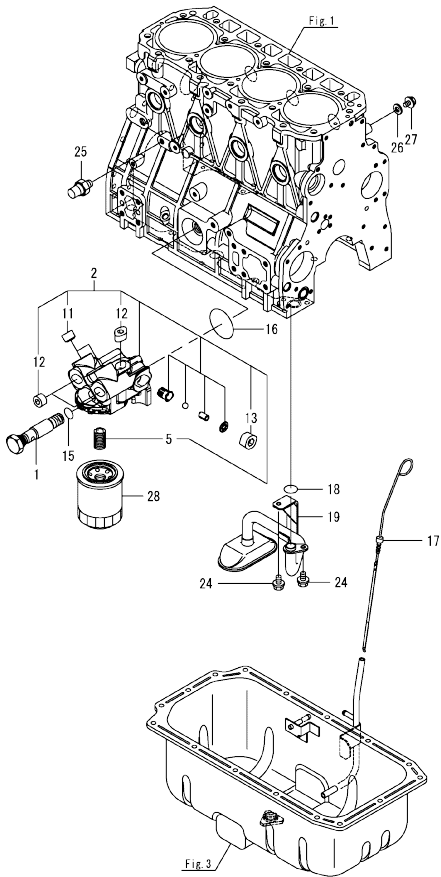
(A)=4TNV98C-L2WKBH
(B)=
(C)=

(D)=
(E)=
(F)=

No.	Lev.	Parts No.	Description	Q'ty						I	R
				(A)	(B)	(C)	(D)	(E)	(F)		
1	1	129902-21050	CRANKSHAFT ASSY	1							
3	2	129900-21220	GEAR, CRANKSHAFT	1							
4	2	121850-21290	PIN, CRANK GEAR	1							
5	2	121850-21920	PIN, PARALLEL 10X22	1							
6	1	22512-070140	KEY, 7X 14	1							
7	1	129916-21610	BOLT, V-PULLEY	1							
8	1	129950-21670	V-PULLEY, CRANKSHAFT	1							
9	1	129960-21930	GASKET, WASHER	1							
10	1	129960-21940	WASHER, V-PULLEY	1							
11	1	121850-21130	BOLT, FLYWHEEL	6							
12	1	129E20-21580	FLYWHEEL ASSY	1							
14	2	129900-21600	GEAR, RING	1							
16	1	129E00-22080	PISTON ASSY	4							
18	2	129E00-22050	RING SET, PISTON	4							
24	1	120130-22301	PIN, PISTON	4							
25	1	22252-000300	RING, 30	8							
26	1	129900-23001	ROD ASSY, CONNECTING	4							
29	2	129900-23200	BOLT, CONNECTING ROD	8							
30	2	129927-23600	BEARING ASSY, PIN	4							
32	1	129900-23911	METAL, PISTON PIN	4							1
33	1	129927-23610	BEARING ASSY, PIN US	4							2
35	1	129E00-22900	PISTON ASSY, 0.25 OS	4							3
37	2	129E00-22950	RING SET, PISTON .25	4							3

Remarks
(1)Spare parts.
(2)Under-sized(U.S.=0.25) parts.
(3)Over-sized(O.S.=0.25) parts.

Fig.10. LUB. OIL SYSTEM



(A)=4TNV98C-L2WKBH
(B)=
(C)=

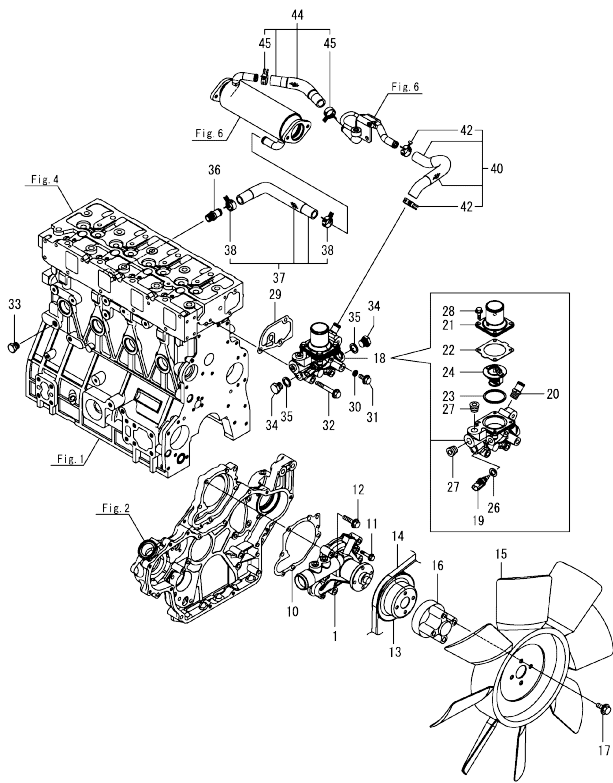
(D)=
(E)=
(F)=

No.	Lev.	Parts No.	Description	Q'ty						I	R
				(A)	(B)	(C)	(D)	(E)	(F)		
1	1	129956-33110	BOLT	1							
2	1	129E21-35100	BRACKET ASSY, FILTER	1							
5	2	129100-35140	STUD	1							
11	2	23875-040000	PLUG, R04	2							
12	2	23876-040000	PLUG, R04	3							
13	2	23876-060000	PLUG, R06	1							
15	1	24314-000200	O-RING, 4CP20.0	1							
16	1	24321-000600	O-RING, 1AG60.0	1							
17	1	129E20-34861	DIPSTICK, OIL	1							
18	1	129900-32030	O-RING, P20	1							
19	1	129953-35000	PIPE ASSY, OIL INLET	1							
24	1	26106-080122	BOLT, M8X 12 PLATED	2							
25	1	124298-39450	SWITCH, HYDRAULIC	1							
26	1	22190-080002	WASHER, SEAL 8	1							
27	1	26106-080122	BOLT, M8X 12 PLATED	1							
28	1	129150-35153	FILTER ASSY, D80X80L	1							1

Remarks
(1)Spare parts.

Fig.11. COOLING WATER SYSTEM

(A)=4TNV98C-L2WKBH
(D)=
(E)=
(F)=



No.	Lev.	Parts No.	Description	Q'ty						I	R
				(A)	(B)	(C)	(D)	(E)	(F)		
1	1	129900-42004	PUMP ASSY, CW	1							
10	1	129900-42020	GASKET, WATER PUMP	1							
11	1	26106-060302	BOLT, M6X 30 PLATED	2							
12	1	26106-080552	BOLT, M8X 55 PLATED	5							
13	1	129916-42410	V-PULLEY, PUMP	1							
14	1	129932-42240	V-BELT, B43.5	1							
15	1	129953-44710	FAN, COOLING D=460	1							
16	1	129973-44760	SPACER, FAN 50MM	1							
17	1	26106-080652	BOLT, M8X 65 PLATED	4							
18	1	129E00-49800	CASE ASSY, THERMOSTAT	1							
19	2	129927-44900	SENSOR, TEMPERATURE	1							1
20	2	129928-49420	JOINT	1							
21	2	129916-49530	COVER, THERMOSTAT	1							
22	2	121850-49540	GASKET, THERMOSTAT	1							
23	2	121850-49550	GASKET, THERMOSTAT	1							
24	2	121850-49811	THERMOSTAT, 71C	1							
26	2	22190-120002	WASHER, SEAL 12	1							
27	2	23875-030000	PLUG, R03	2							
28	2	26106-060202	BOLT, M6X 20 PLATED	4							
29	1	129900-49870	GASKET, THERMOSTAT	1							
30	1	23414-080000	GASKET, 8X1.0	1							
31	1	26106-080122	BOLT, M8X 12 PLATED	1							
32	1	26106-080602	BOLT, M8X 60 PLATED	3							
33	1	171056-49120	PLUG, DRAIN R1/4	1							
34	1	121450-42450	PLUG, M16	2							
35	1	124465-44950	GASKET, 16	2							
36	1	129928-49420	JOINT	1							
37	1	129E21-49600	HOSE ASSY, EGRC OUT B	1							
38	2	129960-03990	CLAMP, HOSE 19.8	2							
40	1	129E00-49610	HOSE, COOLER INLET	1							
42	2	129960-03990	CLAMP, HOSE 19.8	2							
44	1	129E00-49640	HOSE, COOLER OUT A	1							
45	2	129960-03990	CLAMP, HOSE 19.8	2							

Remarks

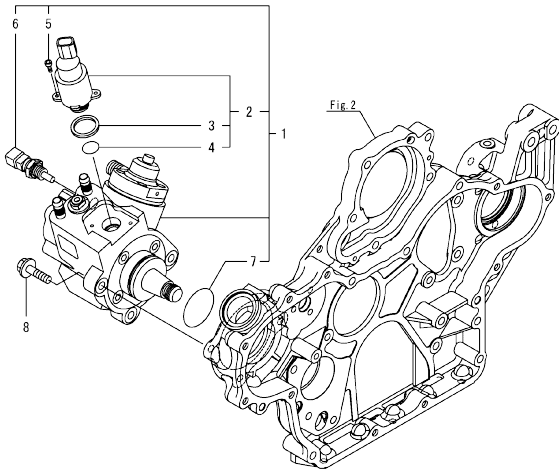
(1)When replacing this part, it is necessary to update the software of the ECU using the designated service tool. Please refer to the Service Manual for details.

Fig.12. FUEL SUPPLY PUMP

(A)=4TNV98C-L2WKBH
(B)=
(C)=

(D)=
(E)=
(F)=

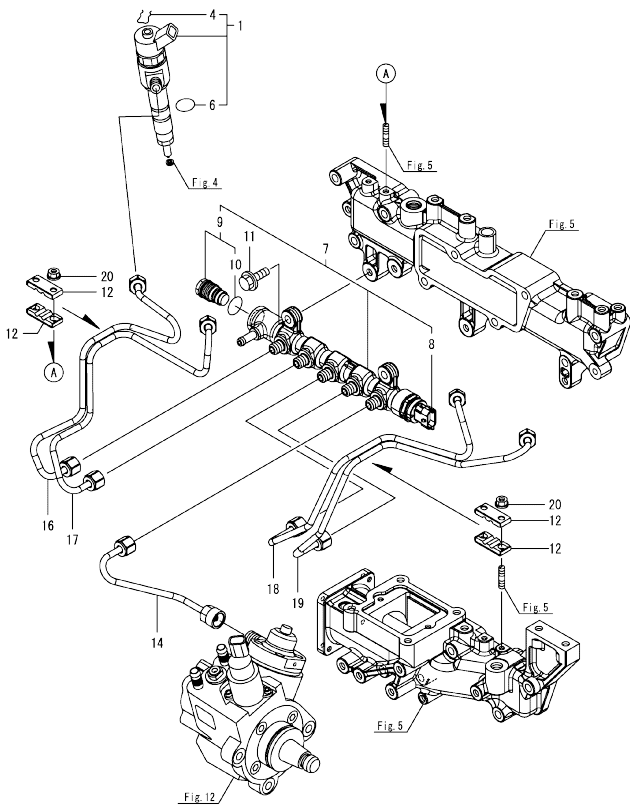
No.	Lev.	Parts No.	Description	Q'ty						I	R
				(A)	(B)	(C)	(D)	(E)	(F)		
1	1	129C28-51000	PUMP ASSY, FUEL	1							1
2	2	129A00-51100	VALVE ASSY	1							1
3	3	129A00-51110	RING, SEAL	1							
4	3	129A00-51120	O-RING, MPROP	1							
5	2	129A00-51130	BOLT, MPROP	2							
6	2	129A00-51200	SENSOR, TEMPERATURE	1							1
7	2	129A00-51900	O-RING, FUEL PUMP	1							
8	1	26106-080302	BOLT, M8X 30 PLATED	3							



Remarks

(1)When replacing this part, it is necessary to update the software of the ECU using the designated service tool. Please refer to the Service Manual for details.

Fig.13. FUEL INJECTION VALVE



(A)=4TNV98C-L2WKBH
(B)=
(C)=

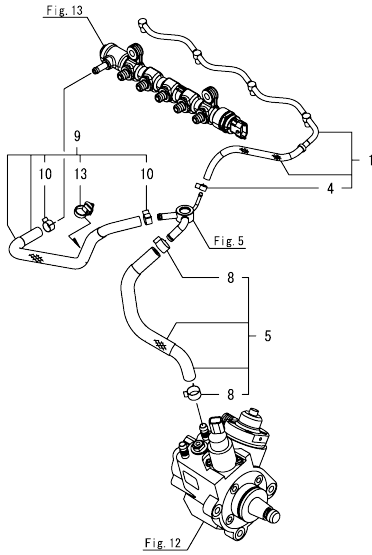
(D)=
(E)=
(F)=

No.	Lev.	Parts No.	Description	Q'ty						I	R
				(A)	(B)	(C)	(D)	(E)	(F)		
1	1	129E00-53100	INJECTOR, CR	4							1
4	2	129A00-53200	RING, RETAINING	4							
6	2	129C28-53300	O-RING	4							
7	1	129C00-57000	COMMON RAIL ASSY	1							1
8	2	129A00-57100	SENSOR, PRESSURE	1							1
9	2	129A00-57200	VALVE ASSY, PLV4	1							1
10	3	129A00-57210	O-RING, PLV4	1							
11	1	26106-080252	BOLT, M8X 25 PLATED	2							
12	1	122780-59100	RETAINER, PIPE	4							
14	1	129E00-59700	PIPE ASSY, RAIL IN	1							
16	1	129E00-59810	PIPE, INJECTION NO.1	1							
17	1	129E00-59820	PIPE, INJECTION NO.2	1							
18	1	129E00-59830	PIPE, INJECTION NO.3	1							
19	1	129E00-59840	PIPE, INJECTION NO.4	1							
20	1	26366-060002	NUT, M6	4							

Remarks

(1)When replacing this part, it is necessary to update the software of the ECU using the designated service tool. Please refer to the Service Manual for details.

Fig.14. FUEL PIPE

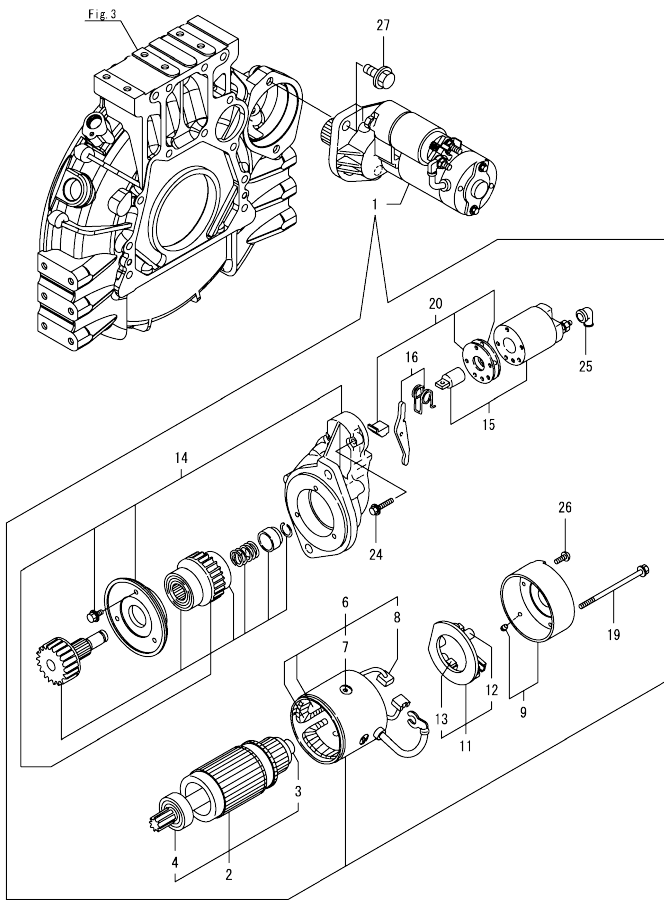


(A)=4TNV98C-L2WKBH
(B)=
(C)=

(D)=
(E)=
(F)=

No.	Lev.	Parts No.	Description	Q'ty						I	R
				(A)	(B)	(C)	(D)	(E)	(F)		
1	1	129E01-59500	PIPE ASSY, FO RETURN	1							
4	2	23080-007000	CLAMP, 7	1							
5	1	129E00-59020	HOSE ASSY, RETURN	1							
8	2	23080-015000	CLAMP, 15	2							
9	1	129E00-59030	HOSE ASSY, RETURN	1							
10	2	114270-59010	CLAMP, HOSE 12	2							
13	2	129A00-91200	CLIP, BAND	1							

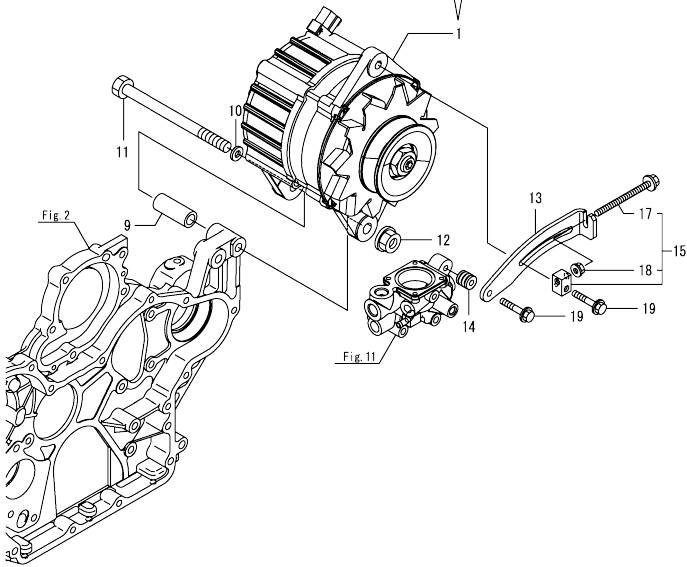
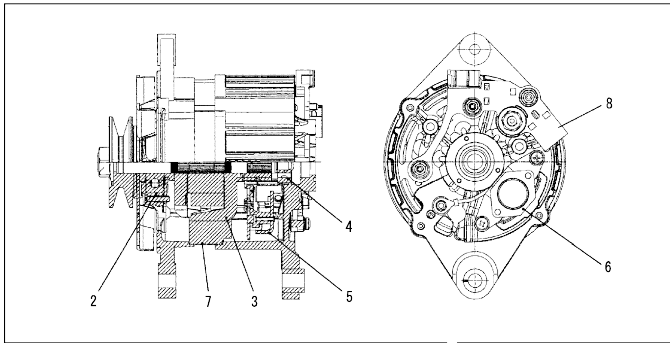
Fig.15. STARTER MOTOR



No.	Lev.	Parts No.	Description	Q'ty					
				(A)	(B)	(C)	(D)	(E)	(F)
1	1	119131-77011	STARTER ASSY, 3.5KW	1					
2	2	119131-77400	ARMATURE ASSY	1					
3	3	171008-77410	BEARING, BALL 1	1					
4	3	119131-77420	BEARING, BALL 2	1					
6	2	119131-77440	COIL ASSY, FIELD	1					
7	3	119260-77070	SCREW, CORE SET	4					
8	3	119131-77450	BRUSH, +	2					
9	2	119131-77460	COVER ASSY, REAR	1					
11	2	119131-77480	HOLDER ASSY, BRUSH	1					
12	3	119131-77490	SPRING, BRUSH	4					
13	3	119131-77500	BRUSH	2					
14	2	119131-77510	CLUTCH ASSY, PINION	1					
15	2	119131-77590	SWITCH, MAGNET	1					
16	2	119131-77620	LEVER SET, SHIFT	1					
19	2	129400-77640	BOLT, THROUGH	2					
20	2	119131-77650	COVER KIT, DUST	1					
24	2	119131-77690	BOLT, M6X37	2					
25	2	121254-77810	COVER, TERMINAL M	1					
26	2	26557-040102	SCREW, M4X10	2					
27	1	26106-120252	BOLT, M12X 25 PLATED	2					

N:Old $\frac{100}{100}$ New, Q:Old $\frac{100}{100}$ New, R:Old $\frac{100}{100}$ New, S:Old $\frac{100}{100}$ New, W:Add, Z:Discontinued, F:Interchangeable by set, K:Q'ty Change
 Copyright (C) 2019 YANMAR GLOBAL CS CO., LTD. All Rights Reserved.

Fig.16. GENERATOR

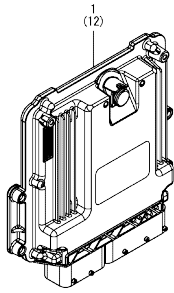


(A)=4TNV98C-L2WKBH
(B)=
(C)=

(D)=
(E)=
(F)=

No.	Lev.	Parts No.	Description	Q'ty						I	R
				(A)	(B)	(C)	(D)	(E)	(F)		
1	1	129908-77260	ALTERNATOR	1							
2	2	129908-77780	BEARING, BALL FR	1							
3	2	129908-77790	ROTOR	1							
4	2	129908-77800	BEARING, BALL RR	1							
5	2	129908-77810	RECTIFIER	1							
6	2	129908-77820	REGULATOR	1							
7	2	129908-77830	STATOR	1							
8	2	129908-77840	PROTECTOR	1							
9	1	129470-77340	PIECE, DISTANCE	1							
10	1	22137-100000	WASHER, 10	1							
11	1	26116-101302	BOLT, M10X130 PLATED	1							
12	1	26306-100002	NUT, M10	1							
13	1	129923-77300	ADJUSTER, BELT	1							
14	1	129926-77310	SPACER, ADJUSTER	1							
15	1	119624-77351	BLOCK ASSY, ADJUSTER	1							
17	2	26106-081004	BOLT, M8X100 PLATED	1							
18	2	26306-080002	NUT, M8	1							
19	1	26106-080452	BOLT, M8X 45 PLATED	2							

Fig.17. ELECTRONIC CONTROL UNIT(ECU)



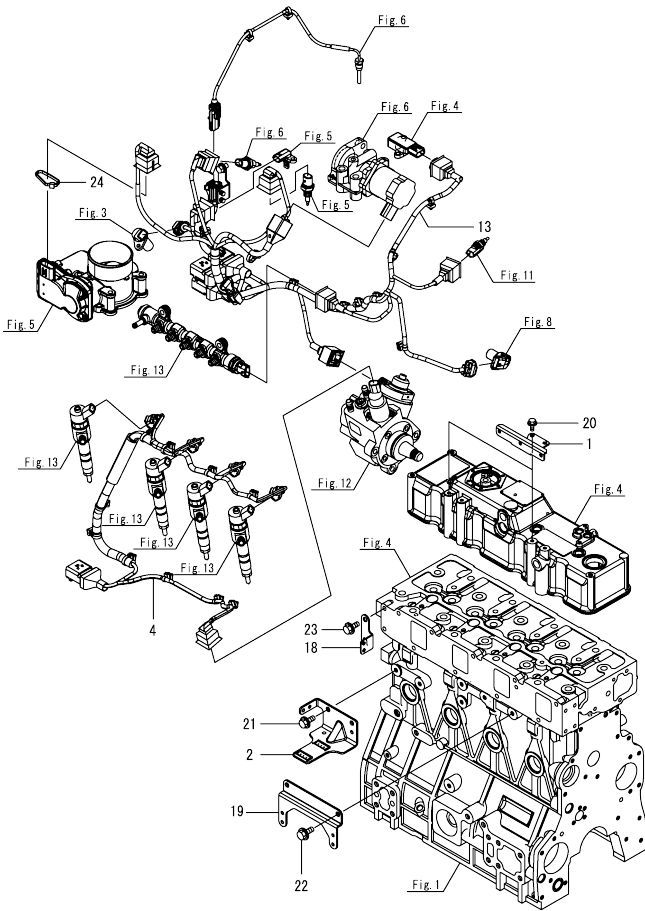
No.	Lev.	Parts No.	Description	Q'ty						I	R	
				(A)	(B)	(C)	(D)	(E)	(F)			
1	1	129E21-75040	ECU ASSY,498C-L2WKBH	1							1	
12	1	129A00-75910	ECU ASSY,SERVICE YMR		1							2

(A)=4TNV98C-L2WKBH
(B)=
(C)=

(D)=
(E)=
(F)=

Remarks
 (1)Eco ECU
 This part cannot be ordered.
 Replace the part using a Service ECU with the proper engine information installed.
 (2)Service ECU
 When replacing this part, it is necessary to update the software of the ECU using the designated service tool.
 Please refer to the Service Manual for details.

Fig.18. ELECTRIC PARTS

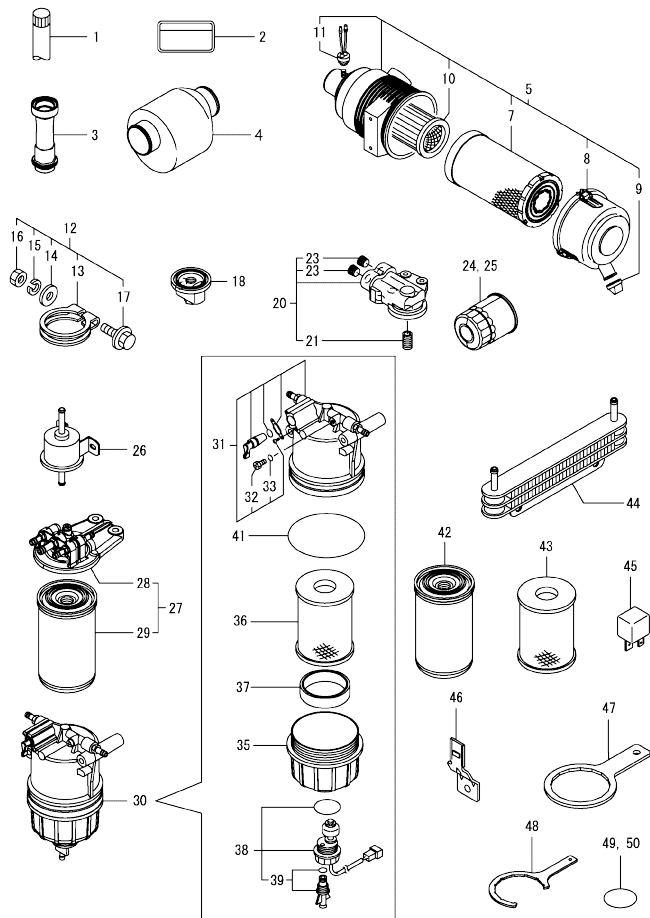


(A)=4TNV98C-L2WKBH
(B)=
(C)=

(D)=
(E)=
(F)=

No.	Lev.	Parts No.	Description	Q'ty						I	R
				(A)	(B)	(C)	(D)	(E)	(F)		
1	1	129E00-11390	BRACKET, HARNESS	2							
2	1	129E00-77910	BRACKET, CONNECTOR	1							
4	1	129E00-91231	HARNESS, C T4	1							
13	1	129E00-91340	HARNESS, B T4	1							
18	1	129A00-91600	BRACKET, HARNESS	1							
19	1	129E00-91600	BRACKET, HARNESS	1							
20	1	26106-080122	BOLT, M6X 12 PLATED	4							
21	1	26106-080122	BOLT, M8X 12 PLATED	2							
22	1	26106-080122	BOLT, M8X 12 PLATED	2							
23	1	26106-080122	BOLT, M8X 12 PLATED	2							
24	1	29621-200000	BAND	1							

Fig.19. ACCESSORY



(A)=4TNV98C-L2WKBH
(B)=
(C)=

(D)=
(E)=
(F)=
Q'ty I R

No.	Lev.	Parts No.	Description	(A)	(B)	(C)	(D)	(E)	(F)	I	R
1	1	129923-01650	CONNECTOR ASSY,DRAIN	1							
2	1	114110-07761	LABEL, FUEL CAUTION	1							
3	1	121027-11743	PIPE, FILLER	1							
4	1	119160-12060	SILENCER ASSY,INTAKE	1							
5	1	129935-12500	CLEANER ASSY, AIR	1							
7	2	129935-12520	ELEMENT, OUTER	1							
8	2	119160-12530	COVER ASSY, CLEANER	1							
9	2	119160-12540	VALVE, VACUATOR	1							
10	2	119160-12570	ELEMENT, INNER	1							
11	2	119140-12680	INDICATOR, CLEANER	1							
12	1	129640-13590	CLAMP ASSY	1							
13	2	129640-13580	CLAMP	1							
14	2	22117-100000	WASHER, 10	1							
15	2	22217-100000	WASHER, SPRING 10	1							
16	2	26106-100652	BOLT, M10X 65 PLATED	1							
17	2	26706-100002	NUT, M10	1							
18	1	129238-35111	PLUG	1							
20	1	129923-35130	BRACKET ASSY, FILTER	1							
21	2	129100-35140	STUD	1							
23	2	23876-040000	PLUG, R04	2							
24	1	119005-35151	FILTER, OIL D80X100	1							
25	1	119005-35151	FILTER, OIL D80X100	4							
26	1	129907-52100	PUMP, FUEL FEED	1							
27	1	129A00-55600	FILTER ASSY, FUEL	1							
28	2	129A00-55610	BRACKET ASSY, FILTER	1							
29	2	129A00-55800	FILTER, FUEL	1							
30	1	129E21-55710	FILTER ASSY, FO PRE	1							
30-1	1	129E21-55711	FILTER ASSY, FO PRE	1							N
(A=EB7622)											
31	2	129E21-55720	BODY ASSY	1							
32	3	129A00-55751	PLUG, AIR VENT	1							
33	3	129A00-55760	O-RING	1							
35	2	129C20-55720	CUP, FUEL FILTER	1							
36	2	129A00-55730	ELEMENT, FUEL FILTER	4							
37	2	129A00-55770	FLOAT	1							
38	2	129917-55821	SENSOR ASSY, LEVEL	1							
38-1	2	129917-55870	SENSOR ASSY, LEVEL	1							N
(A=EB7622)											
39	3	129917-55830	PLUG, DRAIN	1							
39-1	3	129242-55740	PLUG, DRAIN	1							N
(A=EB7622)											
41	2	129A00-55740	O-RING	1							
42	1	129A00-55730	ELEMENT, FUEL FILTER	4							
43	2	129A00-55800	FILTER, FUEL	4							
44	1	129973-55900	COOLER, FUEL	1							
45	1	129G01-77900	RELAY, 24V20A.ISO-HI	3							
46	1	129927-77910	BRACKET, CONNECTOR	3							
47	1	119640-92750	TOOL, FILTER WRENCH	1							
48	1	129A00-92750	WRENCH, PRE-FILTER	1							
49	2	24311-000320	O-RING, 1AP32.0	1							
50	2	24321-000600	O-RING, 1AG60.0	1							

N:Old $\frac{New}{Old}$ New. Q:Old $\frac{New}{Old}$ New. R:Old $\frac{New}{Old}$ New. S:Old $\frac{New}{Old}$ New. W:Add. Z:Discontinued. F:Interchangeable by set. K:Q'ty Change
Copyright (C) 2019 YANMAR GLOBAL CS CO., LTD. All Rights Reserved.

Parts No. Index

Parts No.	Fig. No.	Ref. No.	Parts No.	Fig. No.	Ref. No.	Parts No.	Fig. No.	Ref. No.	Parts No.	Fig. No.	Ref. No.
105010-39140	8	30	124160-01751	4	41	129900-23001	9	26	129935-12500	19	5
114110-07761	19	2	124160-11360	4	64	129900-23200	9	29	129935-12520	19	7
114270-59010	14	10	124240-01871	2	27	129900-23911	9	32	129950-21670	9	8
119005-35151	19	24	124298-39450	10	25	129900-32001	2	3	129953-35000	10	19
		25	124460-11340	4	13	129900-32030	2	14	129953-44710	11	15
119131-18320	6	27	124465-44950	11	35		10	18	129956-33110	10	1
119131-77011	15	1	124766-59050	3	17	129900-32040	2	15	129960-03990	11	38
119131-77400	15	2	128300-13230	6	23	129900-42004	11	1			42
119131-77420	15	4	129001-11340	4	57	129900-42020	11	10			45
119131-77440	15	6	129005-03080	5	1	129900-49870	11	29	129960-21930	9	9
119131-77450	15	8	129100-01580	2	2	129902-21050	9	1	129960-21940	9	10
119131-77460	15	9		3	1	129906-01640	3	8	129973-44760	11	16
119131-77480	15	11	129100-35140	10	5	129907-03061	4	46	129973-55900	19	44
119131-77490	15	12		19	21	129907-03070	4	49	129978-03030	4	45
119131-77500	15	13	129150-02450	8	4	129907-52100	19	26	129978-11871	4	17
119131-77510	15	14	129150-11230	4	29	129908-77260	16	1	129978-12700	4	58
119131-77590	15	15		33	33	129908-77780	16	2	129978-17500	7	32
119131-77620	15	16	129150-11370	4	1	129908-77790	16	3	129978-17700	7	37
119131-77650	15	20	129150-11750	4	31	129908-77800	16	4	129A00-11330	4	56
119131-77690	15	24		35	35	129908-77810	16	5	129A00-11340	4	14
119140-12680	19	11	129150-11810	4	72	129908-77820	16	6	129A00-12711	5	13
119160-12060	19	4	129150-14200	8	1	129908-77830	16	7	129A00-12721	5	7
119160-12530	19	8	129150-35153	10	28	129908-77840	16	8	129A00-12780	4	59
119160-12540	19	9	129238-35111	19	18	129916-01790	3	6	129A00-12790	5	14
119160-12570	19	10	129242-55740	19	39	129916-01800	2	24	129A00-12820	5	29
119260-77070	15	7	129400-77640	15	19	129916-21610	9	7	129A00-12910	5	31
119309-01810	1	29	129410-03990	5	2	129916-42410	11	13			33
119620-01750	3	3	129418-18320	6	21	129916-49530	11	21	129A00-13350	6	9
119624-77351	16	15	129470-77340	16	9	129917-55821	19	38			7
119640-61400	4	60	129640-13580	19	13	129917-55830	19	39			27
119640-92750	19	47	129640-13590	19	12	129917-55870	19	38	129A00-13380	6	12
119660-01570	5	12	129795-11180	4	12	129923-01650	19	1	129A00-13752	6	28
119803-77830	4	69	129900-01200	1	27	129923-35130	19	20	129A00-14710	8	12
120130-22301	9	24	129900-01250	1	4	129923-77300	16	13	129A00-16610	7	16
120270-54410	4	19	129900-02020	1	6	129926-77310	16	14	129A00-17311	7	29
121027-11743	19	3	129900-02410	1	9	129927-02340	1	33	129A00-17520	7	33
121254-77810	15	25	129900-07900	4	67	129927-02930	1	24	129A00-17560	7	35
121450-42450	11	34	129900-11110	4	10	129927-02940	1	36	129A00-17570	7	36
121850-21130	9	11	129900-11120	4	11	129927-13810	6	33	129A00-17760	7	38
121850-21290	9	4	129900-11200	4	21	129927-23600	9	30	129A00-21710	3	20
121850-21920	9	5	129900-11240	4	22	129927-23610	9	33	129A00-51100	12	2
121850-49540	11	22	129900-11280	4	25	129927-25110	8	15	129A00-51110	12	3
121850-49550	11	23	129900-11510	4	26	129927-25920	8	32	129A00-51120	12	4
121850-49811	11	24	129900-11520	4	27	129927-42140	2	17	129A00-51130	12	5
122780-59100	13	12	129900-11530	4	38	129927-44900	11	19	129A00-51200	12	6
123907-03100	4	50	129900-11650	4	28	129927-77910	19	46	129A00-51900	12	7
123907-03110	4	51	129900-11660	4	32	129928-49420	11	20	129A00-53200	13	4
123907-03120	4	52	129900-14400	8	2			36	129A00-55600	19	27
123907-03140	4	53	129900-21220	9	3				129A00-55610	19	28
124160-01751	2	20	129900-21600	9	14	129930-13201	7	1	129A00-55730	19	36
						129932-42240	11	14			42

Parts No. Index

Parts No.	Fig. No.	Ref. No.	Parts No.	Fig. No.	Ref. No.	Parts No.	Fig. No.	Ref. No.	Parts No.	Fig. No.	Ref. No.
129A00-55740	19	41	129E00-12151	5	4	129E00-59840	13	19	22857-500100	4	62
129A00-55751	19	32	129E00-12800	5	15	129E00-77820	4	71	23080-007000	14	4
129A00-55760	19	33	129E00-12810	5	10	129E00-77910	18	2	23080-015000	14	8
129A00-55770	19	37	129E00-12850	5	11	129E00-91231	18	4	23414-080000	11	30
129A00-55800	19	29	129E00-13101	6	1	129E00-91340	18	13	23414-120000	6	13
		43	129E00-13110	6	2	129E00-91600	18	19	23875-030000	11	27
129A00-57100	13	8	129E00-13350	6	24	129E01-16201	7	6	23875-040000	10	11
129A00-57200	13	9	129E00-13360	6	10	129E01-16230	7	6 -1	23876-005000	4	7
129A00-57210	13	10	129E00-13400	6	15	129E01-59500	14	1	23876-030000	1	12
129A00-59110	5	18	129E00-13410	6	16	129E20-01700	3	9			13
129A00-75910	17	12	129E00-13610	6	17	129E20-16120	7	5 -2			14
129A00-91200	6	6	129E00-13710	5	16	129E20-16550	7	14	23876-040000	10	12
	7	40	129E00-13720	5	17	129E20-21580	9	12		19	23
	14	13	129E00-13770	6	5	129E20-34861	10	17	23876-060000	10	13
129A00-91430	7	42	129E00-13800	6	29	129E20-59500	3	16	24311-000070	2	16
129A00-91600	18	18	129E00-13851	6	19	129E20-77800	4	70	24311-000120	4	65
129A00-92750	19	48	129E00-13861	6	20	129E21-13300	6	8	24311-000320	2	21
129A01-13710	6	4	129E00-13910	6	36	129E21-35100	10	2		4	66
129C00-13860	7	3 -1	129E00-13920	6	37	129E21-49600	11	37		19	49
129C00-13870	7	4 -1	129E00-13960	6	38	129E21-55710	19	30	24314-000200	10	15
129C00-13940	7	3	129E00-14101	8	6	129E21-55711	19	30 -1	24321-000600	10	16
129C00-13950	7	4	129E00-14581	8	3	129E21-55720	19	31		19	50
129C00-57000	13	7	129E00-14700	8	8	129E21-75040	17	1	26106-060122	18	20
129C00-91200	7	41	129E00-16230	7	6 -2	129E30-12900	5	28	26106-060162	7	43
129C01-16400	7	12	129E00-16600	7	15	129E30-16010	7	5	26106-060202	5	34
129C01-16680	7	17	129E00-16801	7	22	129E30-16050	7	5 -1		11	28
129C01-16700	7	18	129E00-17300	7	28	129F01-13610	6	3	26106-060302	11	11
129C01-16710	7	19	129E00-17350	7	30	129F01-13640	6	25	26106-060452	5	32
129C01-16730	7	20	129E00-22050	9	18	129F01-13650	6	18	26106-060902	5	35
129C01-16740	7	21	129E00-22080	9	16			26	26106-080122	3	19
129C20-55720	19	35	129E00-22900	9	35	129G01-12900	5	30		10	24
129C28-51000	12	1	129E00-22950	9	37	129G01-77900	19	45			27
129C28-53300	13	6	129E00-25050	8	14	171008-77410	15	3		11	31
129C35-17760	7	46	129E00-25060	8	22	171051-01921	1	5		18	21
129E00-01330	1	28	129E00-25080	8	33	171056-49120	11	33			22
129E00-01500	2	1	129E00-25121	8	23	22117-100000	19	14			23
129E00-01570	1	1	129E00-25200	8	26	22137-100000	16	10	26106-080142	7	23
129E00-01580	2	22	129E00-25400	8	28	22190-080002	8	31		8	10
129E00-01620	3	2	129E00-25902	8	19		10	26	26106-080162	2	18
129E00-01850	2	25	129E00-49610	11	40	22190-120002	11	26			28
129E00-03010	4	43	129E00-49640	11	44	22190-140002	5	20			29
129E00-03020	4	44	129E00-49800	11	18	22217-100000	19	15		4	68
129E00-11100	4	9	129E00-53100	13	1	22217-180000	8	20		6	14
129E00-11330	4	55	129E00-59020	14	5	22242-000180	4	36	26106-080202	6	22
129E00-11360	4	42	129E00-59030	14	9	22252-000300	9	25		7	39
129E00-11390	18	1	129E00-59120	5	19	22351-030010	8	9			47
129E00-11720	4	2	129E00-59700	13	14	22351-060012	1	11	26106-080252	13	11
129E00-11900	4	18	129E00-59810	13	16	22512-070140	8	7	26106-080302	12	8
129E00-12101	5	5	129E00-59820	13	17		9	6	26106-080352	4	20
129E00-12110	5	3	129E00-59830	13	18	22857-500100	4	61		5	21

Parts No. Index

Parts No.	Fig. No.	Ref. No.
26106-080402	2	30
26106-080452	2	19
	5	8
	8	27
	16	19
26106-080502	8	18
26106-080552	5	9
	11	12
26106-080602	11	32
26106-080652	11	17
26106-080702	2	31
26106-080752	5	24
26106-080902	5	25
26106-081004	16	17
26106-100202	7	44
26106-100222	7	24
26106-100252	6	34
26106-100602	6	40
26106-100652	4	39
	19	16
26106-120252	15	27
26116-101302	16	11
26206-100352	3	4
26206-100952	3	5
26216-060202	5	6
		22
26216-081002	5	26
26306-080002	5	27
	6	35
	7	25
		45
	16	18
26306-100002	4	40
	6	7
	16	12
26366-060002	13	20
26450-060162	3	21
	4	63
	8	13
26557-040102	15	26
26557-050082	4	47
26577-040162	4	37
26577-060122	8	11
26587-050102	4	48
26706-100002	19	17
26716-060002	5	23
26776-180002	8	21
27241-300000	1	10
27241-400000	4	8
27310-080001	4	15

Parts No.	Fig. No.	Ref. No.
29621-200000	18	24
729927-02800	1	30

Parts No.	Fig. No.	Ref. No.
-----------	----------	----------

Parts No.	Fig. No.	Ref. No.
-----------	----------	----------