

0CD50-M00340EN

P R E F A C E

This parts catalog is the 1st edition of 4TNV88C-STB and 4TNV88C-STB1 for Takeuchi.

Published : June, 2014

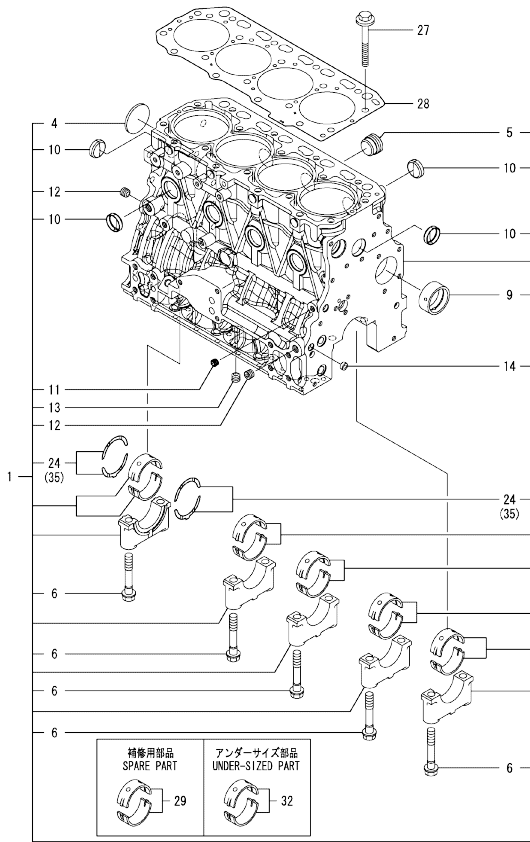
Contents

0CD50-M00340

Fig. No.	Fig. Name	Fig. No.	Fig. Name
4TNV88C-STB/-STB1			
1.	CYLINDER BLOCK		
2.	GEAR HOUSING		
3.	FLYWHEEL HOUSING & OIL SUMP		
4.	CYLINDER HEAD & BONNET		
5.	SUCTION MANIFOLD & AIR CLEANER		
6.	EXHAUST MANIFOLD		
7.	DIESEL PARTICULATE FILTER(DPF)		
8.	DIESEL PARTICULATE FILTER(DPF)		
9.	CAMSHAFT & DRIVING GEAR		
10.	CRANKSHAFT & PISTON		
11.	LUB. OIL SYSTEM		
12.	COOLING WATER SYSTEM		
13.	FUEL SUPPLY PUMP		
14.	FUEL INJECTION VALVE		
15.	FUEL PIPE		
16.	STARTER MOTOR		
17.	GENERATOR		
18.	ELECTRONIC CONTROL UNIT(ECU)		
19.	ELECTRIC PARTS		
20.	GASKET SET & TOOLS		

OCD50-M00340 4TNV88C-STB/-STB1
 Fig.1. CYLINDER BLOCK

OCD50-M00340 Fig.1



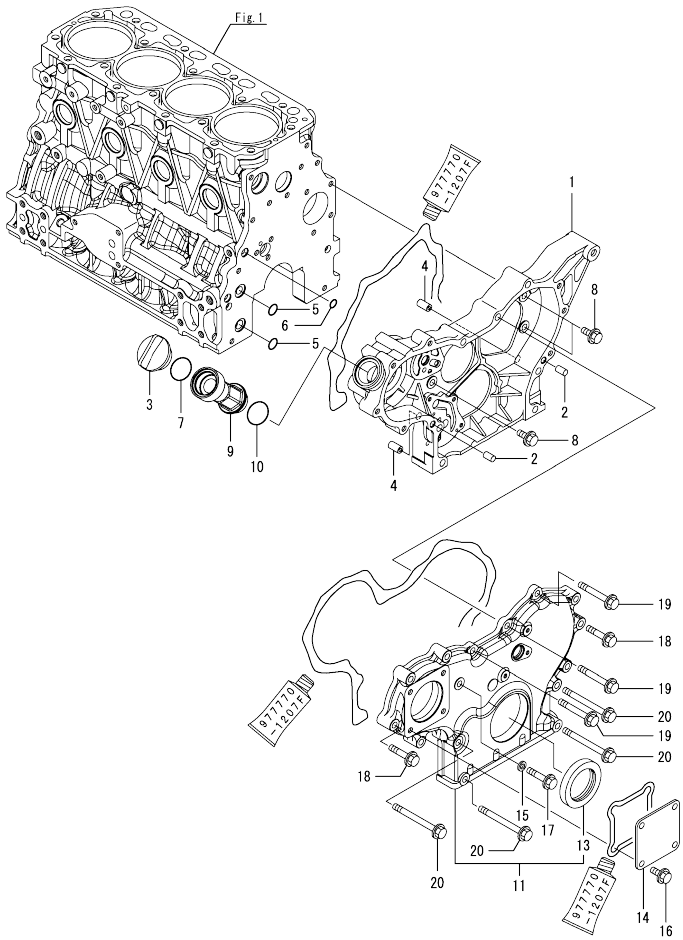
(A)=4TNV88C-STB
 (B)=4TNV88C-STB1
 (C)=

(D)=
 (E)=
 (F)=

No.	Lev.	Parts No.	Description	Q'ty						I	R
				(A)	(B)	(C)	(D)	(E)	(F)		
1	1	129C00-01560	BLOCK ASSY, CYLINDER	1	1						
4	2	129001-01250	PLUG, DISH TYPE 50	1	1						
5	2	171051-01921	PLUG, NPTF1	1	1						
6	2	129150-02020	BOLT, METAL CAP	10	10						
9	2	129795-02412	BUSH, CAMSHAFT	1	1						
10	2	27241-300000	PLUG 30	8	8						
11	2	124060-01050	PLUG, PT1/8	1	1						
12	2	124160-01910	PLUG, PT1/4	2	2						
13	2	124160-01910	PLUG, PT1/4	1	1						
14	2	27241-120000	PLUG, 12	1	1						
24	2	129150-02931	BEARING ASSY, THRUST	2	2						
27	1	129150-01200	BOLT, CYLINDER HEAD	18	18						
28	1	129685-01350	GASKET, HEAD	1	1						
28-1	1	129C28-01340	GASKET, CYLINDER HEAD	1	1						N
		(A=E33037) (B=E32984)									
29	1	129001-02931	BEARING ASSY, MAIN	5	5						1
32	1	129150-02871	BEARING ASSY, MAIN	5	5						2
35	1	129150-02941	BEARING, THRUST 0.25	1	1						3

Remarks
 (1) Spare parts.
 (2) Under-sized (U.S.=0.25) parts.
 (3) Over-sized (O.S.=0.25) parts.

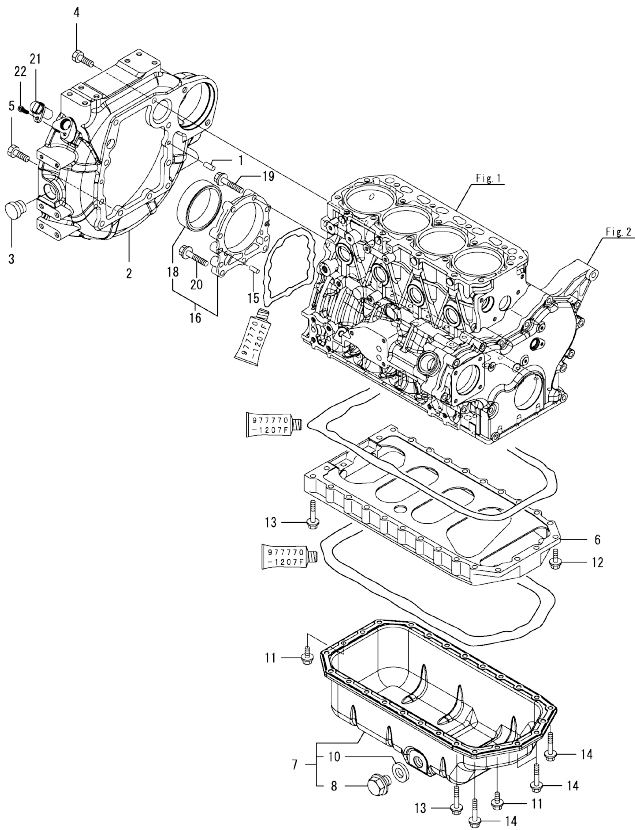
Fig.2. GEAR HOUSING



No.	Lev.	Parts No.	Description	Q'ty						I	R
				(A)	(B)	(C)	(D)	(E)	(F)		
1	1	129A00-01500	CASE, GEAR	1	1						
2	1	129100-01580	PIN, 8X16	2	2						
3	1	124160-01751	COVER, FILLER	1	1						
4	1	129795-01950	PIPE, KNOCK L=18	2	2						
5	1	119609-32040	O-RING, P16	2	2						
6	1	119624-32040	O-RING, P12.0	1	1						
7	1	24311-000320	O-RING, 1AP32.0	1	1						
8	1	26106-080162	BOLT, M8X 16 PLATED	3	3						
9	1	171031-11741	PIPE	1	1						
10	1	24311-000320	O-RING, 1AP32.0	1	1						
11	1	129A00-01550	COVER ASSY, GEARCASE	1	1						
13	2	119934-01800	SEAL, OIL	1	1						
14	1	124240-01871	COVER	1	1						
15	1	22190-080002	WASHER, SEAL 8	1	1						
16	1	26106-080162	BOLT, M8X 16 PLATED	4	4						
17	1	26106-080352	BOLT, M8X 35 PLATED	1	1						
18	1	26106-080402	BOLT, M8X 40 PLATED	7	7						
19	1	26106-080602	BOLT, M8X 60 PLATED	3	3						
20	1	26106-080852	BOLT, M8X 85 PLATED	4	4						

N:Old $\frac{New}{Old}$ New, Q:Old $\frac{New}{Old}$ New, R:Old $\frac{New}{Old}$ New, S:Old $\frac{New}{Old}$ New, W:Add, Z:Discontinued, F:Interchangeable by set, K:Qty Change
 Copyright (C) 2014 YANMAR GLOBAL CS CO., LTD. All Rights Reserved.

Fig.3. FLYWHEEL HOUSING & OIL SUMP



(A)=4TNV88C-STB
(B)=4TNV88C-STB1
(C)=

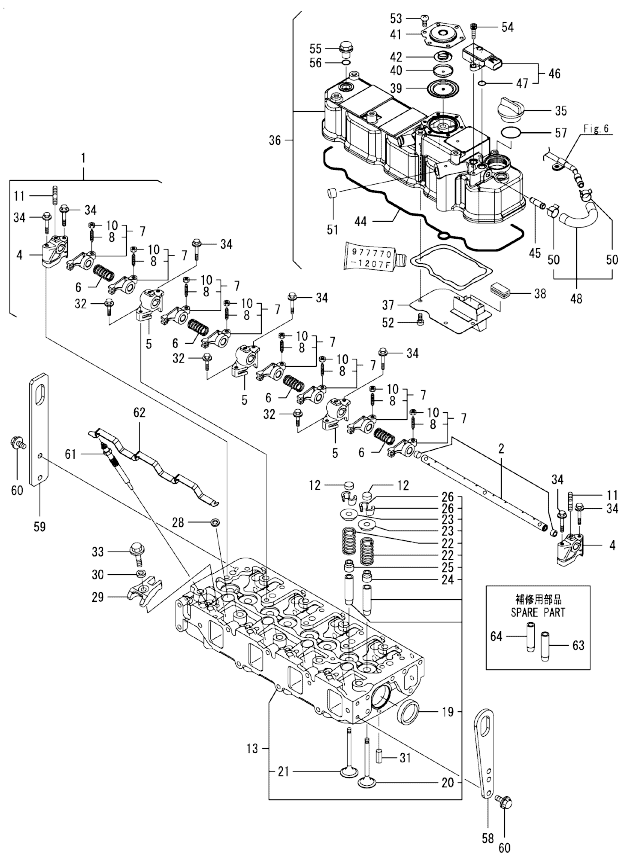
(D)=
(E)=
(F)=

No.	Lev.	Parts No.	Description	Q'ty						I	R
				(A)	(B)	(C)	(D)	(E)	(F)		
1	1	129100-01580	PIN, 8X16	2	2						
2	1	129A00-01602	HOUSING, FLYWHEEL	1	1						
3	1	119620-01750	CAP	1	1						
4	1	26206-100252	BOLT, M10X 25 PLATED	6	6						
5	1	26206-100302	BOLT, M10X 30 PLATED	4	4						
6	1	129400-01730	SPACER, OIL SUMP	1	1						
7	1	129688-01780	OIL PAN ASSY, DEEP	1	1						
8	2	119640-01640	PLUG, DRAIN M22	1	1						
10	2	22190-220002	WASHER, SEAL 22	1	1						
11	1	26106-080162	BOLT, M8X 16 PLATED	4	4						
12	1	26106-080252	BOLT, M8X 25 PLATED	2	2						
13	1	26106-080452	BOLT, M8X 45 PLATED	20	20						
14	1	26106-080502	BOLT, M8X 50 PLATED	4	4						
15	1	129100-01580	PIN, 8X16	2	2						
16	1	129100-01640	CASE ASSY, OIL SEAL	1	1						
18	2	129795-01780	SEAL, OIL	1	1						
19	1	129486-01670	BOLT, M8X30	6	6						
20	1	26106-080352	BOLT, M8X 35 PLATED	3	3						
21	1	129A00-21710	SENSOR, FLYWHEEL REV	1	1						1
22	1	26450-060162	BOLT, M6X 16	1	1						

Remarks

(1)When replacing this part, it is necessary to update the software of the ECU using the designated service tool. Please refer to the Service Manual for details.

Fig.4. CYLINDER HEAD & BONNET



(A)=4TNV88C-STB
(B)=4TNV88C-STB1
(C)=

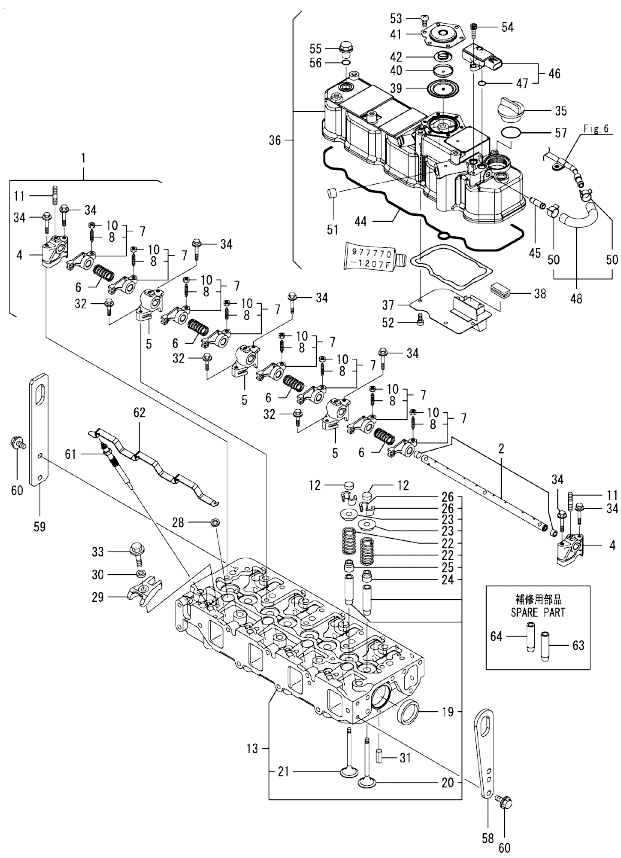
(D)=
(E)=
(F)=

No.	Lev.	Parts No.	Description	Q'ty						I	R
				(A)	(B)	(C)	(D)	(E)	(F)		
1	1	129601-11241	SHAFT ASSY, ROCKER	1	1						
2	2	129601-11251	SHAFT, ROCKER ARM	1	1						
4	2	119802-11260	SUPPORT, ROCKER ARM	2	2						
5	2	119802-11270	SUPPORT, ROCKER ARM	3	3						
6	2	129150-11280	SPRING	4	4						
7	2	129004-11650	ARM, ROCKER	8	8						
8	3	129150-11230	SCREW, VALVE ADJUST	8	8						
10	3	129150-11750	NUT, M8	8	8						
11	2	26226-080182	STUD, M8X 18	3	3						
12	1	129150-11370	CAP, VALVE	8	8						
13	1	129C00-11710	HEAD ASSY, CYLINDER	1	1						
19	2	27241-400000	PLUG, 40	2	2						
20	2	129005-11100	VALVE, INTAKE	4	4						
21	2	129100-11112	VALVE, EXHAUST	4	4						
22	2	129795-11120	SPRING, VALVE	8	8						
23	2	129795-11180	RETAINER, SPRING	8	8						
24	2	124460-11340	SEAL, VALVE STEM	4	4						
25	2	129A00-11340	SEAL, VALVE STEM	4	4						
26	2	27310-080001	COTTER, 8	8	8						
28	1	129978-11871	GASKET, INJECTOR	4	4						
29	1	129A00-11900	RETAINER, INJECTOR	4	4						
30	1	120270-54410	WASHER, INJECTOR	4	4						
31	1	22351-060012	PIN, SPRING 6.0X12	2	2						
32	1	26106-080252	BOLT, M8X 25 PLATED	3	3						
33	1	26106-080352	BOLT, M8X 35 PLATED	4	4						
34	1	26106-080502	BOLT, M8X 50 PLATED	7	7						
35	1	124160-01751	COVER, FILLER	1	1						
36	1	129C00-11350	BONNET ASSY	1	1						
37	2	129004-03010	PLATE	1	1						
38	2	129150-03070	BAFFLE, BREATHER	1	1						
39	2	123907-03100	DIAPHRAGM	1	1						
40	2	123907-03110	PLATE	1	1						
41	2	123907-03120	PLATE, BREATHER	1	1						
42	2	123907-03140	SPRING, DIAPHRAGM	1	1						
44	2	129C00-11310	GASKET, COVER	1	1						
45	2	129A00-11330	JOINT	1	1						
46	2	129A00-12703	SENSOR, PRESSURE	1	1						1
47	3	129A00-12780	O-RING, PRES SENSOR	2	2						
48	2	129A00-13360	HOSE ASSY, PRES EXH	1	1						
50	3	129A00-13380	CLIP, HOSE 14	2	2						
51	2	119640-61400	PLUG	1	1						
52	2	22857-500100	SCREW, 5X10	4	4						
53	2	22857-500100	SCREW, 5X10	6	6						
54	2	26450-060162	BOLT, M6X 16	2	2						
55	1	124160-11360	KNOB	3	3						
56	1	24311-000120	O-RING, 1AP12.0	3	3						
57	1	24311-000320	O-RING, 1AP32.0	1	1						
58	1	129900-07900	LIFTER	1	1						
59	1	129944-07910	LIFTER	1	1						
60	1	26106-080162	BOLT, M8X 16 PLATED	4	4						
61	1	129008-77800	PLUG, GLOW	4	4						

Remarks

- (1)When replacing this part, it is necessary to update the software of the ECU using the designated service tool. Please refer to the Service Manual for details.
- (2)Spare parts.

Fig.4. CYLINDER HEAD & BONNET



(A)=4TNV88C-STB
(B)=4TNV88C-STB1
(C)=

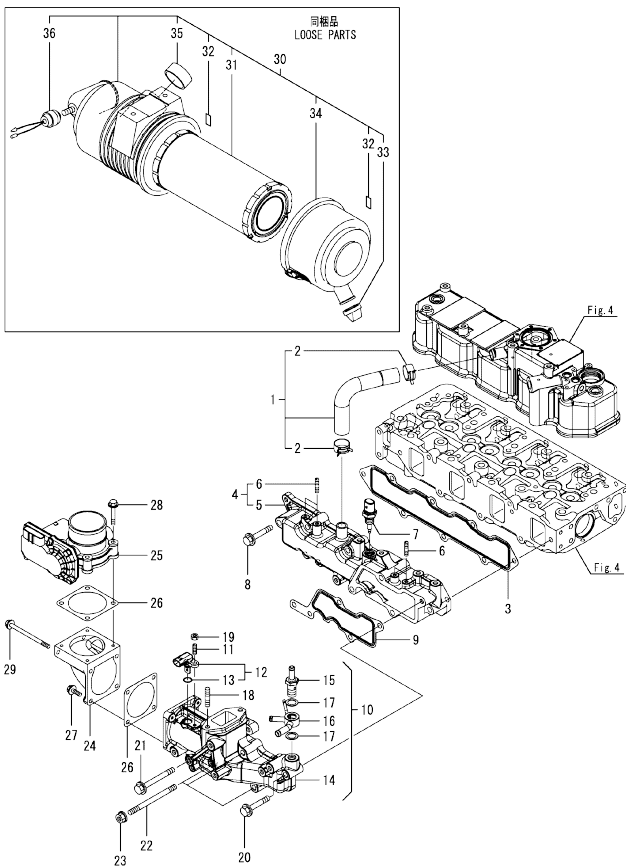
(D)=
(E)=
(F)=

No.	Lev.	Parts No.	Description	Q'ty						I	R
				(A)	(B)	(C)	(D)	(E)	(F)		
62	1	129C00-77820	CONNECTOR, GLOW PLUG	1	1						
63	1	120130-11860	GUIDE, VALVE	4	4						2
64	1	129150-11810	GUIDE, VALVE	4	4						2

Remarks

- (1)When replacing this part, it is necessary to update the software of the ECU using the designated service tool. Please refer to the Service Manual for details.
- (2)Spare parts.

Fig.5. SUCTION MANIFOLD & AIR CLEANER



(A)=4TNV88C-STB
(B)=4TNV88C-STB1
(C)=

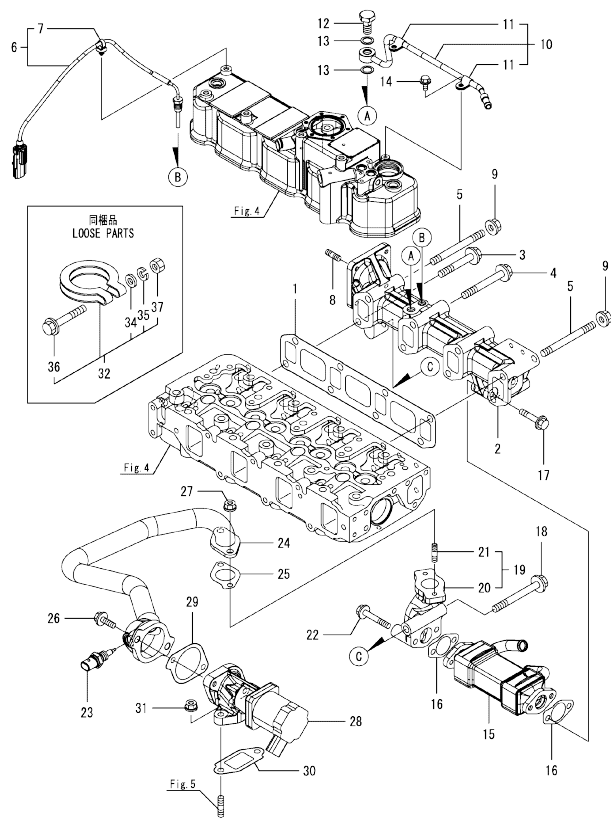
(D)=
(E)=
(F)=

No.	Lev.	Parts No.	Description	Q'ty						I	R
				(A)	(B)	(C)	(D)	(E)	(F)		
1	1	129005-03080	PIPE, BREATHER	1	1						
2	2	129410-03990	CLIP,HOSE 21.5	2	2						
3	1	129C00-12110	GASKET, INT MANIFOLD	1	1						
4	1	129C00-12150	MANIFOLD CMP,INTAKE	1	1						
5	2	129C00-12100	MANIFOLD,INT	1	1						
6	2	26216-060202	STUD, M6X 20	4	4						
7	1	129A00-12720	SENSOR,AIR TEMP	1	1						1
8	1	26106-080502	BOLT, M8X 50 PLATED	5	5						
9	1	129A00-12810	GASKET, COLLECTOR	1	1						
10	1	129A00-12851	COLLECTOR, INT CMP	1	1						
11	2	119660-01570	STUD, M6X12	1	1						
12	2	129A00-12711	SENSOR,AIR TEMP	1	1						
13	3	129A00-12790	O-RING,TEMP SENSOR	1	1						
14	2	129A00-12830	COLLECTOR, INT	1	1						
15	2	129A00-59110	JOINT, HOSE M14	1	1						
16	2	129A00-59120	JOINT, HOSE 14	1	1						
17	2	22190-140002	WASHER, SEAL 14	2	2						
18	2	26216-080252	STUD, M8X 25	2	2						
19	2	26716-060002	NUT, M6	1	1						
20	1	26106-080502	BOLT, M8X 50 PLATED	1	1						
21	1	26106-080752	BOLT, M8X 75 PLATED	1	1						
22	1	26216-081052	STUD, M8X105	3	3						
23	1	26306-080002	NUT, M8	3	3						
24	1	129A00-12820	BEND, INLET	1	1						
25	1	129A00-12900	THROTTLE BODY(INT	1	1						1
26	1	129A00-12910	GASKET,THROTTLE	2	2						
27	1	26106-060202	BOLT, M6X 20 PLATED	2	2						
28	1	26106-060402	BOLT, M6X 40 PLATED	4	4						
29	1	26106-060902	BOLT, M6X 90 PLATED	2	2						
30	1	129236-12510	CLEANER ASSY, AIR	1	1						
31	2	119808-12520	ELEMENT	1	1						
32	2	129418-12530	LABEL, MARK	2	2						
33	2	119808-12540	VALVE, UNLOADER	1	1						
34	2	119866-12541	COVER ASSY	1	1						
35	2	129259-12570	RING	1	1						
36	2	119140-12680	INDICATOR	1	1						

Remarks

(1)When replacing this part, it is necessary to update the software of the ECU using the designated service tool. Please refer to the Service Manual for details.

Fig.6. EXHAUST MANIFOLD



(A)=4TNV88C-STB
(B)=4TNV88C-STB1
(C)=

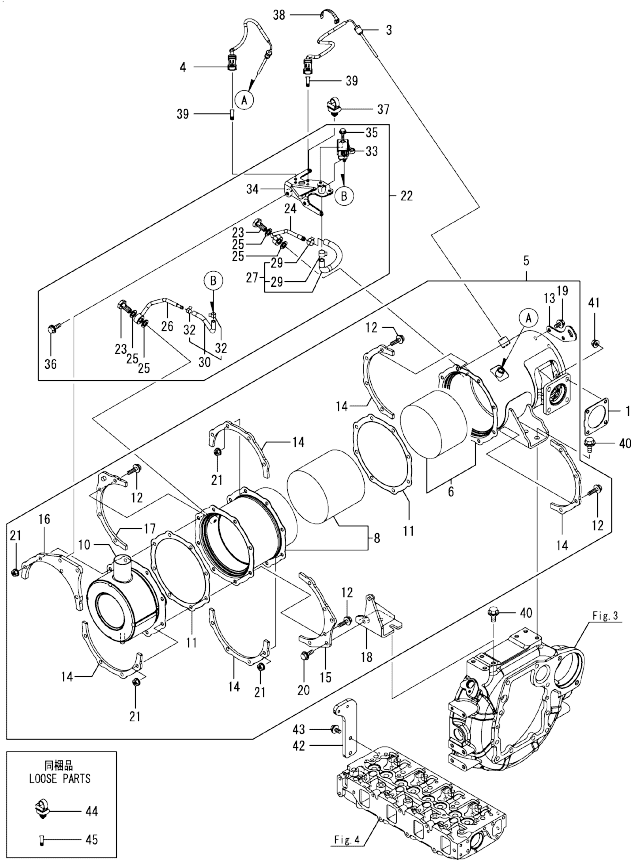
(D)=
(E)=
(F)=

No.	Lev.	Parts No.	Description	Q'ty						
				(A)	(B)	(C)	(D)	(E)	(F)	
1	1	129C00-13110	GASKET, EXH MANIFOLD	1	1					
2	1	129C00-13121	MANIFOLD, EXHAUST	1	1					
3	1	129978-13600	BOLT, M10X65 10.9T	1	1					
4	1	129A00-13610	BOLT, M10X80	5	5					
5	1	129A01-13700	STUD,10X80	2	2					
6	1	129A00-13770	SENSOR,EXH TEMP.	1	1					1
7	2	129A00-91200	BAND CLIP	1	1					
8	1	119131-18320	STUD, M8X22	4	4					
9	1	26306-100002	NUT, M10	2	2					
10	1	129A00-13300	PIPE ASSY, EXHAUST P	1	1					
11	2	23297-080061	CLAMP, A8X 6	2	2					
12	1	129A00-13350	BOLT, PIPE JOINT	1	1					
13	1	23414-120000	GASKET, 12X1.0	2	2					
14	1	26106-060122	BOLT, M6X 12 PLATED	2	2					
15	1	129A00-13400	COOLER, EGR	1	1					
16	1	129A00-13410	GASKET, EGR COOLER	2	2					
17	1	119802-13600	BOLT, M8X40	2	2					
18	1	129978-13700	BOLT, FLANGE 10X90	1	1					
19	1	129A00-13851	PIPE CMP, EGR OUT	1	1					
20	2	129A00-13861	PIPE,EGR OUT	1	1					
21	2	129418-18320	STUD, M8X20	2	2					
22	1	26106-080502	BOLT, M8X 50 PLATED	2	2					
23	1	129A00-13751	SENSOR,EGR GAS TEMP	1	1					1
24	1	129C00-13800	PIPE,EGR CMP	1	1					
25	1	129927-13810	GASKET	1	1					
26	1	26106-080252	BOLT, M8X 25 PLATED	2	2					
27	1	26306-080002	NUT, M8	2	2					
28	1	129C00-13901	VALVE, EGR	1	1					1
29	1	129A00-13910	GASKET, EGR-V IN	1	1					
30	1	129A00-13920	GASKET,EGR-V OUT	1	1					
31	1	26306-080002	NUT, M8	2	2					
32	1	121120-13590	CLAMP	1	1					
34	2	22117-100000	WASHER, 10	1	1					
35	2	22217-100000	WASHER, SPRING 10	1	1					
36	2	26106-100652	BOLT, M10X 65 PLATED	1	1					
37	2	26706-100002	NUT, M10	1	1					

Remarks

(1)When replacing this part, it is necessary to update the software of the ECU using the designated service tool. Please refer to the Service Manual for details.

Fig.7. DIESEL PARTICULATE FILTER(DPF)



(A)=4TNV88C-STB
(B)=4TNV88C-STB1
(C)=

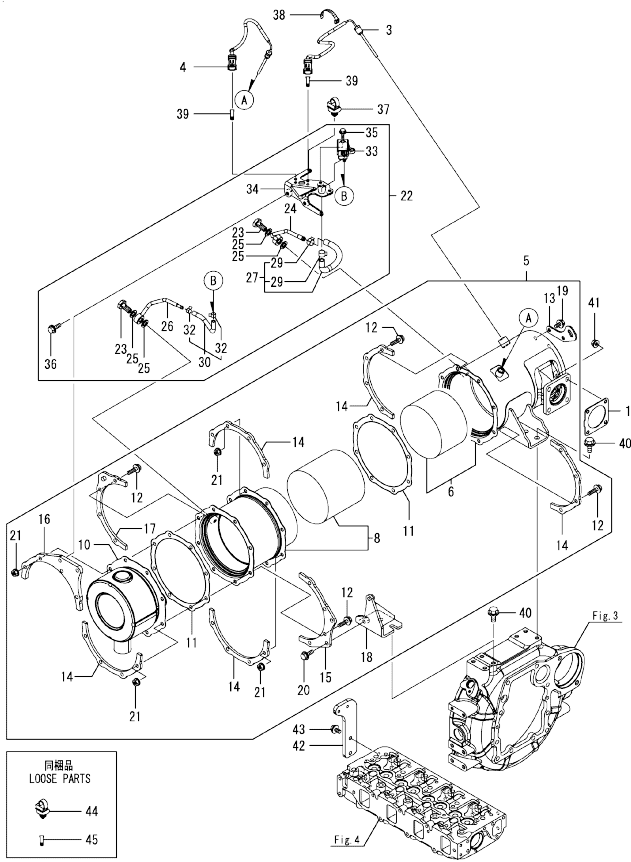
(D)=
(E)=
(F)=

No.	Lev.	Parts No.	Description	Q'ty						I	R
				(A)	(B)	(C)	(D)	(E)	(F)		
1	1	129930-13201	GASKET, SILENCER	1							
3	1	129C00-13940	SENSOR, EXH.TEMP	1							1
3-1	1	129C00-13860	SENSOR, ATD TEMP.DS+	1							N 1
(A=E74741)											
4	1	129C00-13950	SENSOR, EXH.TEMP	1							1
4-1	1	129C00-13870	SENSOR, ATD TEMP.DS+	1							N 1
(A=E74741)											
5	1	129A20-16060	DPF ASSY	1							1
5-1	1	129A20-16070	DPF ASSY	1							N 1
(A=E74741)											
6	2	129A00-16201	CASE, DOC	1							1
6-1	2	129A00-16231	CASE, DOC	1							N 1
(A=E74741)											
8	2	129A00-16400	CASE, SOOT FILTER	1							1
10	2	129A20-16510	SILENCER, DPF	1							
11	2	129A00-16600	GASKET, DPF	2							
12	2	129A00-16610	BOLT, M8X28 10.9T	16							
13	2	129C01-16690	LIFTER, DPF	1							
14	2	129A00-16700	STIFFENER, DPF A	5							
15	2	129A00-16710	STIFFENER, DPF B	1							
16	2	129A00-16730	STIFFENER, DPF C	1							
17	2	129A00-16740	STIFFENER, DPF C	1							
18	2	129A00-16801	STAY, DPF	1							
19	2	26106-080142	BOLT, M8X 14 PLATED	2							
20	2	26106-080222	BOLT, M8X 22 PLATED	2							
21	2	26306-080002	NUT, M8	16							
22	1	129A00-17200	SENSOR UNIT,PRESSURE	1							1
23	2	129A00-13350	BOLT, PIPE JOINT	2							
24	2	129A00-17300	PIPE, SENSOR	1							
25	2	129A00-17311	GASKET,SENSOR	4							
26	2	129A00-17350	PIPE, SENSOR	1							
27	2	129A00-17600	HOSE ASSY,PRES EXH	1							
29	3	129A00-17520	CLIP, HOSE	2							
30	2	129A00-17650	HOSE ASSY,PRES EXH	1							
32	3	129A00-17570	CLIP, HOSE	2							
33	2	129A00-17702	SENSOR, PRESSURE	1							1
34	2	129A00-17760	BRACKET, PRES SENSOR	1							
35	2	26106-060162	BOLT, M6X 16 PLATED	2							
36	2	26106-080202	BOLT, M8X 20 PLATED	2							
37	1	129A00-91200	BAND CLIP	1							
38	1	129C00-91200	BAND	1							
39	1	129A00-91430	CLIP, CONNECTOR	2							
40	1	26106-100202	BOLT, M10X 20 PLATED	4							
41	1	26306-080002	NUT, M8	4							
42	1	129C20-17760	BRACKET, PRES SENSOR	1							
43	1	26106-080202	BOLT, M8X 20 PLATED	2							
44	1	129A00-91200	BAND CLIP	2							
45	1	129A00-91430	CLIP, CONNECTOR	2							

Remarks

(1)When replacing this part, it is necessary to update the software of the ECU using the designated service tool. Please refer to the Service Manual for details.

Fig.8. DIESEL PARTICULATE FILTER(DPF)



(A)=4TNV88C-STB
(B)=4TNV88C-STB1
(C)=

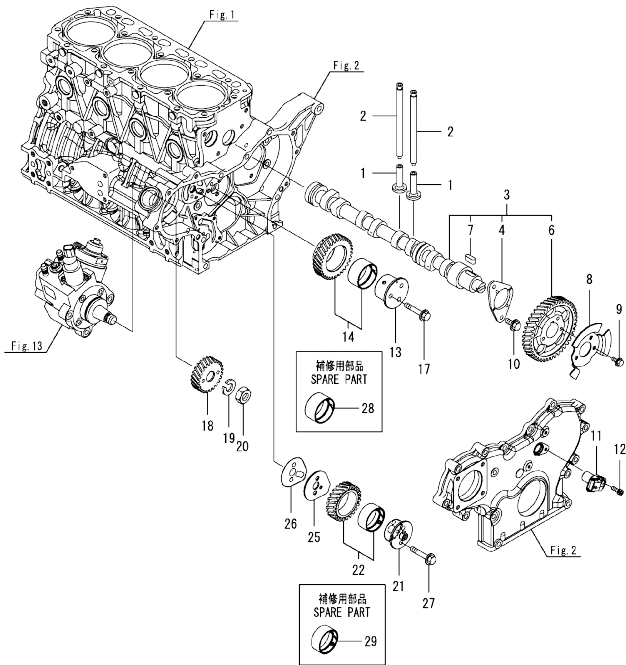
(D)=
(E)=
(F)=

No.	Lev.	Parts No.	Description	Q'ty						I	R
				(A)	(B)	(C)	(D)	(E)	(F)		
1	1	129930-13201	GASKET, SILENCER		1						
3	1	129C00-13940	SENSOR, EXH.TEMP		1						1
3-1	1	129C00-13860	SENSOR, ATD TEMP.DS+		1						N 1
(B=E74377)											
4	1	129C00-13950	SENSOR, EXH.TEMP		1						1
4-1	1	129C00-13870	SENSOR, ATD TEMP.DS+		1						N 1
(B=E74377)											
5	1	129A00-16002	DPF ASSY		1						1
5-1	1	129A00-16031	DPF ASSY		1						N 1
(B=E74377)											
6	2	129A00-16201	CASE, DOC		1						1
6-1	2	129A00-16231	CASE, DOC		1						N 1
(B=E74377)											
8	2	129A00-16400	CASE, SOOT FILTER		1						1
10	2	129A00-16500	SILENCER, DPF		1						
11	2	129A00-16600	GASKET, DPF		2						
12	2	129A00-16610	BOLT, M8X28 10.9T		16						
13	2	129C01-16690	LIFTER, DPF		1						
14	2	129A00-16700	STIFFENER, DPF A		5						
15	2	129A00-16710	STIFFENER, DPF B		1						
16	2	129A00-16730	STIFFENER, DPF C		1						
17	2	129A00-16740	STIFFENER, DPF C		1						
18	2	129A00-16801	STAY, DPF		2						
19	2	26106-080142	BOLT, M8X 14 PLATED		1						
20	2	26106-080222	BOLT, M8X 22 PLATED		2						
21	2	26306-080002	NUT, M8		16						
22	1	129A00-17200	SENSOR UNIT,PRESSURE		1						1
23	2	129A00-13350	BOLT, PIPE JOINT		2						
24	2	129A00-17300	PIPE, SENSOR		1						
25	2	129A00-17311	GASKET,SENSOR		4						
26	2	129A00-17350	PIPE, SENSOR		1						
27	2	129A00-17600	HOSE ASSY,PRES EXH		1						
29	3	129A00-17520	CLIP, HOSE		2						
30	2	129A00-17650	HOSE ASSY,PRES EXH		1						
32	3	129A00-17570	CLIP, HOSE		2						
33	2	129A00-17702	SENSOR, PRESSURE		1						1
34	2	129A00-17760	BRACKET, PRES SENSOR		1						
35	2	26106-060162	BOLT, M6X 16 PLATED		2						
36	2	26106-080202	BOLT, M8X 20 PLATED		2						
37	1	129A00-91200	BAND CLIP		1						
38	1	129C00-91200	BAND		1						
39	1	129A00-91430	CLIP, CONNECTOR		2						
40	1	26106-100202	BOLT, M10X 20 PLATED		4						
41	1	26306-080002	NUT, M8		4						
42	1	129C20-17760	BRACKET, PRES SENSOR		1						
43	1	26106-080202	BOLT, M8X 20 PLATED		2						
44	1	129A00-91200	BAND CLIP		2						
45	1	129A00-91430	CLIP, CONNECTOR		2						

Remarks

(1)When replacing this part, it is necessary to update the software of the ECU using the designated service tool. Please refer to the Service Manual for details.

Fig.9. CAMSHAFT & DRIVING GEAR



(A)=4TNV88C-STB
(B)=4TNV88C-STB1
(C)=

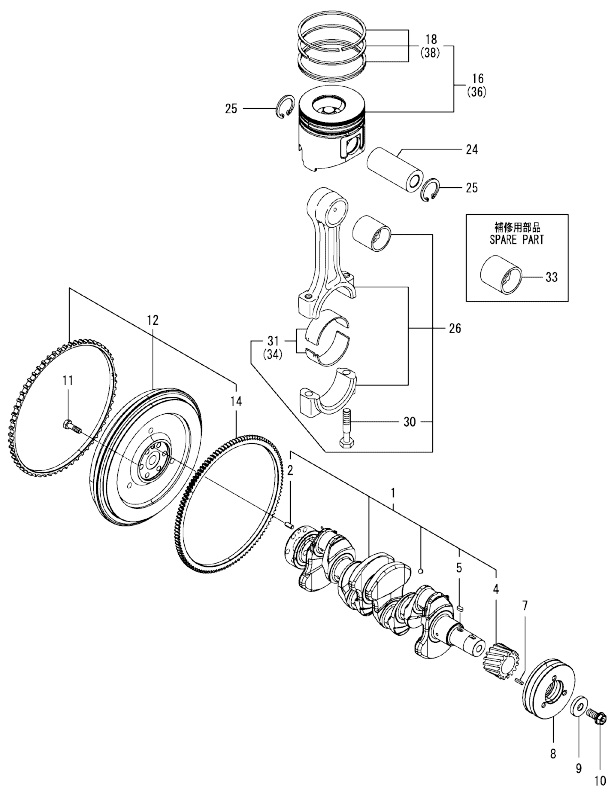
(D)=
(E)=
(F)=

No.	Lev.	Parts No.	Description	Q'ty						I	R	
				(A)	(B)	(C)	(D)	(E)	(F)			
1	1	129150-14200	TAPPET		8	8						
2	1	129150-14400	ROD, PUSH L=178		8	8						
3	1	129C00-14580	CAMSHAFT ASSY		1	1						
4	2	129150-02450	BEARING, THRUST		1	1						
6	2	129A00-14100	GEAR,CAMSHAFT		1	1						
7	2	22512-070140	KEY, 7X 14		1	1						
8	1	129A00-14700	PULSER, CAMSHAFT		1	1						
9	1	26106-060102	BOLT, M6X 10 PLATED		3	3						
10	1	26106-080142	BOLT, M8X 14 PLATED		2	2						
11	1	129A00-14710	SENSOR, GEAR REV		1	1						
12	1	26450-060162	BOLT, M6X 16		1	1						
13	1	129A00-25050	SHAFT, IDLE GEAR A		1	1						
14	1	129A00-25110	GEAR ASSY, IDLE A		1	1						
17	1	26106-080452	BOLT, M8X 45 PLATED		3	3						
18	1	129A00-25900	GEAR, SUPPLY PUMP		1	1						
19	1	22217-180000	WASHER, SPRING 18		1	1						
20	1	26776-180002	NUT, LOCK M18		1	1						
21	1	129A00-25060	SHAFT, IDLE GEAR B		1	1						
22	1	129A00-25120	GEAR ASSY, IDLE B		1	1						
25	1	129A00-25200	PLATE, IDLE SHAFT B		1	1						
26	1	129A00-25210	GASKET, IDLE SHAFT B		1	1						
27	1	26106-080402	BOLT, M8X 40 PLATED		2	2						
28	1	119802-25071	BUSH, IDLE GEAR		1	1						1
29	1	129A00-25080	BUSH		1	1						1

Remarks

(1)Spare parts.

Fig.10. CRANKSHAFT & PISTON



(A)=4TNV88C-STB
(B)=4TNV88C-STB1
(C)=

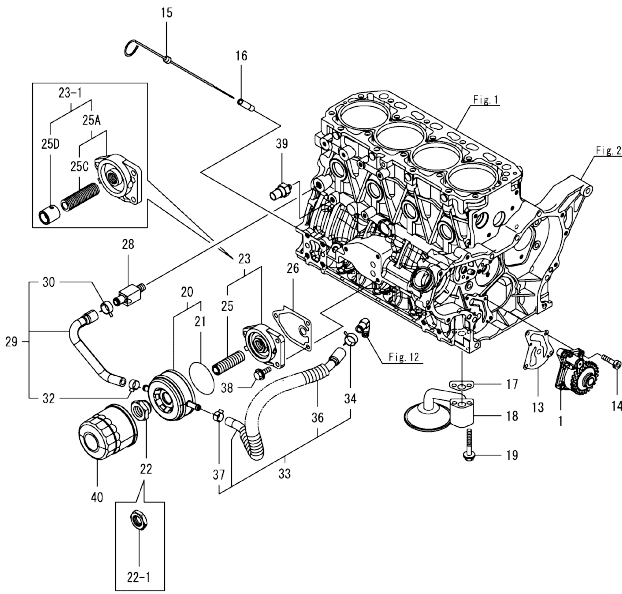
(D)=
(E)=
(F)=

No.	Lev.	Parts No.	Description	Q'ty						I	R
				(A)	(B)	(C)	(D)	(E)	(F)		
1	1	129604-21000	CRANKSHAFT ASSY	1	1						
2	2	129100-01580	PIN, 8X16	1	1						
4	2	119803-21200	GEAR, CRANKSHAFT	1	1						
5	2	22512-070140	KEY, 7X 14	1	1						
7	1	22351-030010	PIN, SPRING 3.0X10	1	1						
8	1	119802-21660	V-PULLEY, 120	1	1						
9	1	129795-21661	WASHER	1	1						
10	1	121850-21680	BOLT	1	1						
11	1	121111-21501	BOLT, FLYWHEEL	6	6						
12	1	129C30-21580	FLYWHEEL ASSY	1	1						
14	2	119865-21600	GEAR, RING	1	1						
16	1	129C00-22080	PISTON ASSY	4	4						
18	2	129A00-22500	RING ASSY, PISTON	4	4						
24	1	129202-22300	PIN, PISTON D26 L70	4	4						
25	1	22252-000260	RING, 26	8	8						
26	1	729402-23100	ROD ASSY, CONNECTING	4	4						
30	2	121550-23200	BOLT, CONNECTING ROD	8	8						
31	2	129150-23601	BEARING, CRANK PIN	4	4						
33	1	129100-23910	BEARING, PISTON PIN	4	4						1
34	1	129150-23611	BEARING, 0.25 US	4	4						2
36	1	129C00-22900	PISTON ASSY, 0.25OS	4	4						3
38	2	129A00-22950	RING SET, 0.25 OS	4	4						3

Remarks
 (1) Spare parts.
 (2) Under-sized (U.S.=0.25) parts.
 (3) Over-sized (O.S.=0.25) parts.

OCD50-M00340 4TNV88C-STB/-STB1
 Fig.11. LUB. OIL SYSTEM

OCD50-M00340 Fig.11



(A)=4TNV88C-STB
 (B)=4TNV88C-STB1
 (C)=

(D)=
 (E)=
 (F)=

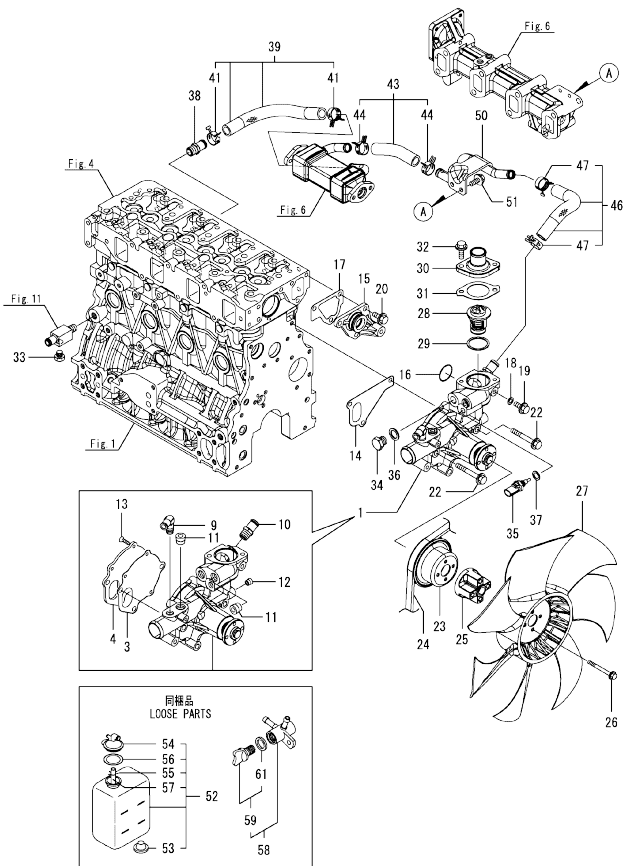
No.	Lev.	Parts No.	Description	Q'ty						I	R
				(A)	(B)	(C)	(D)	(E)	(F)		
1	1	129C00-32000	PUMP ASSY, OIL	1	1						
13	1	129486-32020	GASKET, PUMP	1	1						
14	1	26450-060252	BOLT, M6X 25	4	4						
15	1	129004-34802	DIPSTICK, OIL	1	1						
16	1	121520-34810	GUIDE, DIPSTICK	1	1						
17	1	129150-35042	GASKET, INLET PIPE	1	1						
18	1	129436-35070	PIPE ASSY, OIL INLET	1	1						
19	1	26106-080552	BOLT, M8X 55 PLATED	2	2						
20	1	129508-33010	COOLER ASSY, OIL	1	1						
20-1	1	129508-33031	COOLER ASSY, OIL	1	1						R
		(A=E72178) (B=E71884)									
21	2	129508-33050	O-RING	1	1						
21-1	2	129508-33060	GASKET, COOLER	1	1						R
		(A=E72178) (B=E71884)									
22	1	129417-33111	NUT, OIL COOLER	1	1						
22-1	1	124085-35350	NUT, M20	1	1						F 2
		(A=E72178) (B=E71884)									
23	1	129006-35100	BRACKET ASSY, FILTER	1	1						
23-1	1	129508-35100	BRACKET ASSY, LO FILT	1	1						F 2
		(A=E72178) (B=E71884)									
25	2	129417-35150	STUD, M20X67	1	1						Z
		(A=E72178) (B=E71884)									
25A	2	129006-35100	BRACKET ASSY, FILTER	1	1						W
		(A=E72178) (B=E71884)									
25C	3	129417-35150	STUD, M20X67	1	1						W
		(A=E72178) (B=E71884)									
25D	2	129508-35150	COLLAR, OIL-COOLER	1	1						W
		(A=E72178) (B=E71884)									
26	1	129150-35111	GASKET, BRACKET	1	1						
28	1	129006-44480	JOINT, R02	1	1						
29	1	129508-49030	HOSE ASSY, COOLER IN	1	1						
30	2	171008-03990	CLAMP, HOSE 18.5	1	1						
32	2	23080-015000	CLAMP, 15	1	1						
33	1	129508-49040	HOSE ASSY, COOLER OUT	1	1						
34	2	171008-03990	CLAMP, HOSE 18.5	1	1						
36	2	119940-59130	TUBE, CORRUGATED 19	1	1						
37	2	23080-015000	CLAMP, 15	1	1						
38	1	26106-080202	BOLT, M8X 20 PLATED	3	3						
39	1	124298-39450	SWITCH, HYDRAULIC	1	1						
40	1	129150-35153	FILTER ASSY, D80X80L	1	1						1

Remarks

- (1) Spare parts.
- (2) Interchangeable by simultaneous replacement with No.22-1, 23-1.

N:Old $\frac{100}{100}$ New, Q:Old $\frac{100}{100}$ New, R:Old $\frac{100}{100}$ New, S:Old $\frac{100}{100}$ New, W:Add, Z:Discontinued, F:Interchangeable by set, K:Qty Change
 Copyright (C) 2014 YANMAR GLOBAL CS CO., LTD. All Rights Reserved.

Fig.12. COOLING WATER SYSTEM



(A)=4TNV88C-STB
(B)=4TNV88C-STB1
(C)=

(D)=
(E)=
(F)=

No.	Lev.	Parts No.	Description	Q'ty						I	R
				(A)	(B)	(C)	(D)	(E)	(F)		
1	1	129A01-42000	PUMP ASSY, WATER	1	1						
3	2	129100-42051	GASKET, WATER PUMP	1	1						
4	2	129100-42121	PLATE	1	1						
9	2	129103-49301	ELBOW, PT1/4	1	1						
10	2	129928-49420	JOINT	1	1						
11	2	129916-49740	PLUG, R03	2	2						
12	2	23876-010000	PLUG, R01	1	1						
13	2	26577-060142	SCREW M 6X 14	3	3						
14	1	129486-42021	GASKET, WATER PUMP	1	1						
15	1	129004-42040	JOINT	1	1						
16	1	129486-42140	O-RING, G30	1	1						
17	1	124395-49840	GASKET	1	1						
18	1	23414-080000	GASKET, 8X1.0	1	1						
19	1	26106-080122	BOLT, M8X 12 PLATED	1	1						
20	1	26106-080162	BOLT, M8X 16 PLATED	3	3						
22	1	26106-080602	BOLT, M8X 60 PLATED	3	3						
23	1	129556-42350	V-PULLEY, 96	1	1						
24	1	25152-003800	V-BELT, A38	1	1						
25	1	129030-44760	SPACER, FAN L38.5	1	1						
26	1	26106-060602	BOLT, M6X 60 PLATED	4	4						
27	1	129655-44740	FAN, COOLING D380	1	1						
28	1	129457-49801	THERMOSTAT, 82	1	1						
29	1	129150-49811	GASKET, THERMOSTAT	1	1						
30	1	129350-49530	COVER, THERMOSTAT	1	1						
31	1	129795-49551	GASKET	1	1						
32	1	26106-080222	BOLT, M8X 22 PLATED	2	2						
33	1	121550-49111	JOINT, PT1/4	1	1						
34	1	121450-42450	PLUG, M16	1	1						
35	1	129927-44900	SENSOR	1	1						1
36	1	124465-44950	GASKET, 16	1	1						
37	1	22190-120002	WASHER, SEAL 12	1	1						
38	1	129928-49420	JOINT	1	1						
39	1	129A00-49610	PIPE ASSY, WATER IN	1	1						
41	2	129960-03990	CLIP, HOSE 19.8	2	2						
43	1	129C00-49610	PIPE ASSY, WATER OUT	1	1						
44	2	129960-03990	CLIP, HOSE 19.8	2	2						
46	1	129C00-49620	PIPE ASSY, WATER OUT	1	1						
47	2	129960-03990	CLIP, HOSE 19.8	2	2						
50	1	129C23-49700	PIPE ASSY, CW	1	1						
51	1	26106-080162	BOLT, M8X 16 PLATED	2	2						
52	1	129468-44510	TANK ASSY, SUB	1	1						
53	2	121468-44540	PLUG	1	1						
54	2	121450-44531	CAP	1	1						
55	2	124450-44560	RETAINER	1	1						
56	2	121470-44581	GASKET	1	1						
57	2	121267-44590	PIPE	1	1						
58	1	129150-49100	COCK ASSY, 3-WAY	1	1						
59	2	129150-49080	COCK, DRAIN	1	1						
61	3	119629-49080	GASKET	1	1						

Remarks

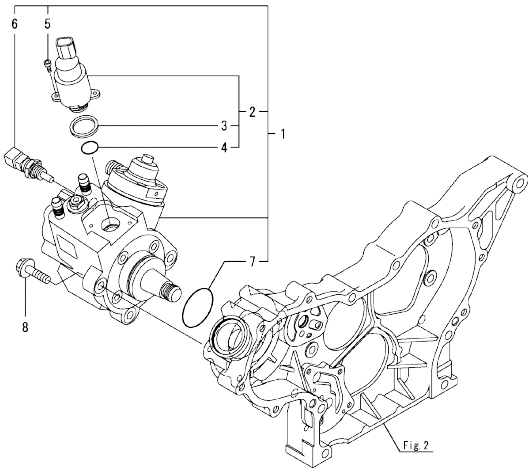
(1)When replacing this part, it is necessary to update the software of the ECU using the designated service tool. Please refer to the Service Manual for details.

Fig.13. FUEL SUPPLY PUMP

(A)=4TNV88C-STB
(B)=4TNV88C-STB1
(C)=

(D)=
(E)=
(F)=

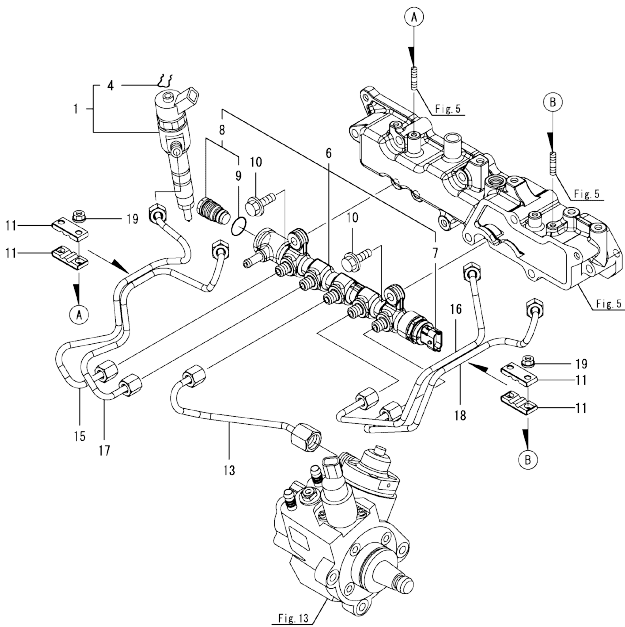
No.	Lev.	Parts No.	Description	Q'ty						I	R
				(A)	(B)	(C)	(D)	(E)	(F)		
1	1	129A00-51000	PUMP ASSY, FUEL	1	1						1
2	2	129A00-51100	VALVE ASSY, MPROP	1	1						1
3	3	129A00-51110	RING, SEALING	1	1						
4	3	129A00-51120	O-RING, MPROP	1	1						
5	2	129A00-51130	BOLT, MPROP	2	2						
6	2	129A00-51200	SENSOR, TEMPERATURE	1	1						1
7	2	129A00-51900	O-RING, FUEL PUMP	1	1						
8	1	26106-080302	BOLT, M8X 30 PLATED	3	3						



Remarks

(1)When replacing this part, it is necessary to update the software of the ECU using the designated service tool. Please refer to the Service Manual for details.

Fig.14. FUEL INJECTION VALVE



(A)=4TNV88C-STB
(B)=4TNV88C-STB1
(C)=

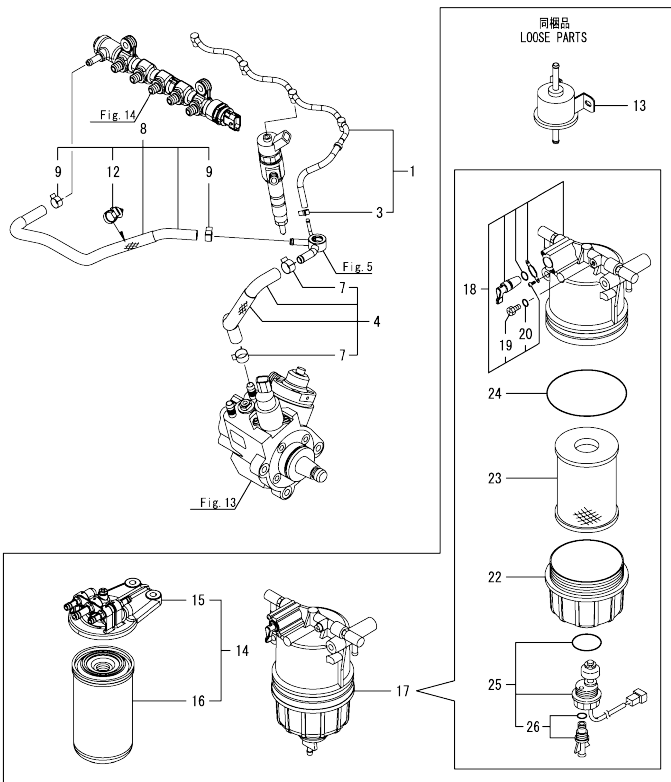
(D)=
(E)=
(F)=

No.	Lev.	Parts No.	Description	Q'ty						I	R
				(A)	(B)	(C)	(D)	(E)	(F)		
1	1	129A00-53100	INJECTOR, CR	4	4						1
4	2	129A00-53200	RING, RETAINING	4	4						
6	1	129C00-57000	RAIL ASSY	1	1						1
7	2	129A00-57100	SENSOR, RAILPRESSURE	1	1						1
8	2	129A00-57200	VALVE ASSY, PLV4	1	1						1
9	3	129A00-57210	O-RING, PLV4	1	1						
10	1	26106-080252	BOLT, M8X 25 PLATED	2	2						
11	1	122780-59100	RETAINER	4	4						
13	1	129A00-59700	PIPE ASSY, RAIL IN	1	1						
15	1	129C00-59810	PIPE ASSY, INJECTION	1	1						
16	1	129A00-59820	PIPE ASSY, INJECTION	1	1						
17	1	129C00-59820	PIPE ASSY, INJECTION	1	1						
18	1	129A00-59830	PIPE ASSY, INJECTION	1	1						
19	1	26366-060002	NUT, M6	4	4						

Remarks

(1)When replacing this part, it is necessary to update the software of the ECU using the designated service tool. Please refer to the Service Manual for details.

Fig.15. FUEL PIPE



(A)=4TNV88C-STB
(B)=4TNV88C-STB1
(C)=

(D)=
(E)=
(F)=

No.	Lev.	Parts No.	Description	Qty						I	R
				(A)	(B)	(C)	(D)	(E)	(F)		
1	1	129C00-59500	PIPE ASSY, RETURN	1	1						
3	2	23080-007000	CLAMP, 7	1	1						
4	1	129A00-59020	PIPE ASSY, RETURN	1	1						
7	2	23080-015000	CLAMP, 15	2	2						
8	1	129C00-59030	PIPE ASSY, RETURN	1	1						
9	2	114270-59010	CLAMP, HOSE 12	2	2						
12	2	129A00-91200	CLIP, BAND	1	1						
13	1	129612-52100	PUMP, FUEL FEED	1	1						
14	1	129A00-55600	FILTER ASSY, FUEL	1	1						
15	2	129A00-55610	BRACKET ASSY, FILTER	1	1						
16	2	129A00-55800	FILTER, FUEL	1	1						
17	1	129E00-55700	FILTER ASSY,FUEL PRE	1	1						
17-1	1	129E00-55701	FILTER ASSY, FO PRE	1	1						N
		(A=E65358) (B=E65322)									
18	2	129E00-55710	BODY ASSY	1	1						
19	3	129A00-55750	PLUG, AIR VENT	1	1						
19-1	3	129A00-55751	PLUG, AIR VENT	1	1						N
		(A=E20546) (B=E20301)									
20	3	129A00-55760	O-RING	1	1						
22	2	129C01-55720	CUP, FUEL FILTER	1	1						
23	2	129A00-55730	ELEMENT, FUEL FILTER	1	1						
24	2	129A00-55740	O-RING	1	1						
25	2	129917-55821	SENSOR ASSY, LEVEL	1	1						
25-1	2	129917-55870	SENSOR ASSY, LEVEL	1	1						N
		(A=E65358) (B=E65322)									
26	3	129917-55830	PLUG, DRAIN	1	1						
26-1	3	129242-55740	PLUG, DRAIN	1	1						N
		(A=E65358) (B=E65322)									

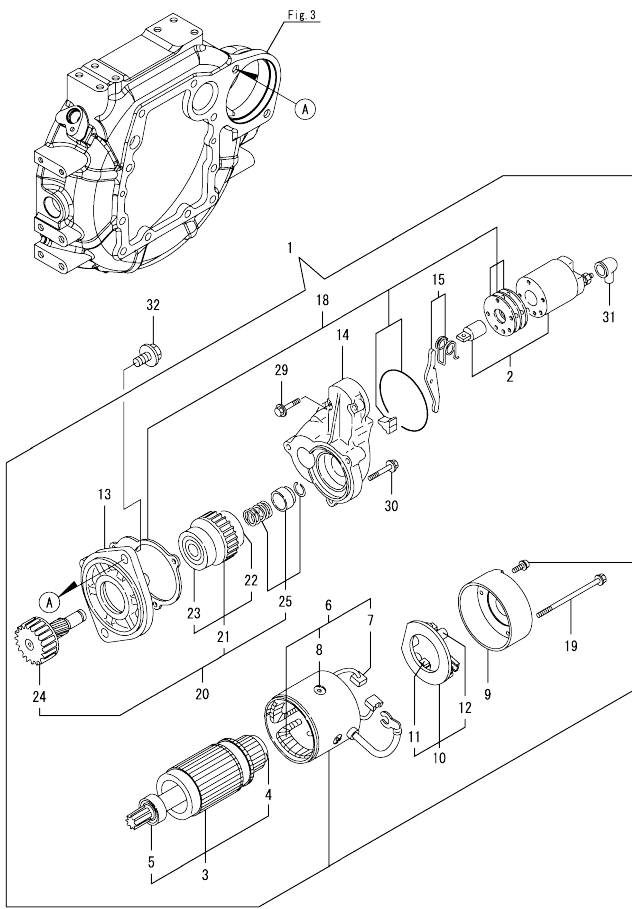
OCD50-M00340 4TNV88C-STB/-STB1
 Fig.16. STARTER MOTOR

OCD50-M00340 Fig.16

(A)=4TNV88C-STB
 (B)=4TNV88C-STB1
 (C)=

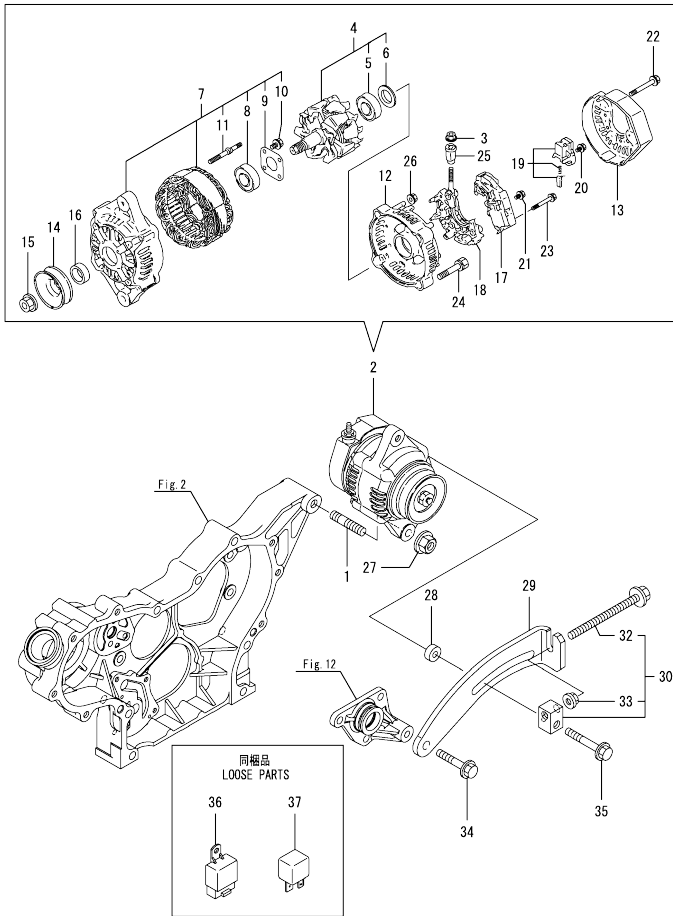
(D)=
 (E)=
 (F)=

No.	Lev.	Parts No.	Description	Q'ty						I	R
				(A)	(B)	(C)	(D)	(E)	(F)		
1	1	129136-77011	STARTER	1	1						
2	2	129136-77310	SWITCH ASSY	1	1						
3	2	129900-77400	ARMATURE ASSY	1	1						
4	3	X2130350900	BEARING, BALL	1	1						
5	3	X2114255110	BEARING, BALL	1	1						
6	2	129900-77440	COIL ASSY, FIELD	1	1						
7	3	129900-77450	BRUSH	2	2						
8	3	171008-77450	SCREW	4	4						
9	2	129900-77460	COVER	1	1						
10	2	129900-77480	HOLDER ASSY, BRUSH	1	1						
11	3	129900-77450	BRUSH	2	2						
12	3	129400-77490	SPRING	4	4						
13	2	171008-77510	CASE, GEAR	1	1						
14	2	129136-77520	HOUSING	1	1						
15	2	171008-77540	LEVER SET	1	1						
18	2	129400-77571	COVER ASSY, DUST	1	1						
19	2	129900-77640	BOLT, THROUGH	2	2						
20	2	171008-77650	PINION ASSY	1	1						
21	3	X2114555500	CLUTCH ASSY	1	1						
22	4	X2114955020	BEARING, BALL	1	1						
23	4	X2240410100	BEARING, BALL	1	1						
24	3	171008-77660	SHAFT	1	1						
25	3	171008-77670	STOPPER SET	1	1						
29	2	26106-060322	BOLT, M6X 32 PLATED	2	2						
30	2	26106-060402	BOLT, M6X 40 PLATED	3	3						
31	2	171008-77750	COVER	1	1						
32	1	26106-120252	BOLT, M12X 25 PLATED	2	2						



N:Old $\frac{100}{100}$ New, Q:Old $\frac{100}{100}$ New, R:Old $\frac{100}{100}$ New, S:Old $\frac{100}{100}$ New, W:Add, Z:Discontinued, F:Interchangeable by set, K:Q'ty Change
 Copyright (C) 2014 YANMAR GLOBAL CS CO., LTD. All Rights Reserved.

Fig.17. GENERATOR



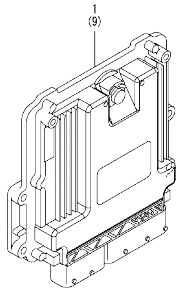
(A)=4TNV88C-STB
(B)=4TNV88C-STB1
(C)=

(D)=
(E)=
(F)=

No.	Lev.	Parts No.	Description	Q'ty						I	R
				(A)	(B)	(C)	(D)	(E)	(F)		
1	1	129795-01900	STUD	1	1						
2	1	129961-77200	GENERATOR, 12V-55A	1	1						
3	2	X9490561001	NUT	1	1						
4	2	129052-77380	ROTOR ASSY	1	1						
5	3	123501-79240	BEARING, BALL	1	1						
6	3	119620-79250	COVER	1	1						
7	2	129961-77421	FRAME ASSY	1	1						
8	3	119620-79200	BEARING, BALL	1	1						
9	3	119620-79210	PLATE, RETAINER	1	1						
10	3	119620-79220	SCREW	4	4						
11	3	119620-79230	STUD	2	2						
12	2	128401-77440	FRAME	1	1						
13	2	128401-77450	COVER	1	1						
14	2	119620-77461	PULLEY	1	1						
15	2	119620-77471	NUT	1	1						
16	2	119620-77490	COLLAR	1	1						
17	2	119620-77710	REGULATOR ASSY	1	1						
18	2	129052-79260	HOLDER	1	1						
19	2	129052-79270	HOLDER, BRUSH	1	1						
20	2	119620-79290	SCREW	6	6						
21	2	119620-79300	SCREW	1	1						
22	2	119620-79310	BOLT	3	3						
23	2	119620-79320	SCREW	2	2						
24	2	119620-79330	BOLT	2	2						
25	2	119620-79340	BUSH, INSULATION	1	1						
26	2	119620-79350	NUT	2	2						
27	1	26306-100002	NUT, M10	1	1						
28	1	119940-77270	SPACER, GENERATOR	1	1						
29	1	119940-77310	ADJUSTER	1	1						
30	1	119624-77351	BLOCK ASSY, ADJUSTER	1	1						
32	2	26106-081004	BOLT, M8X100 PLATED	1	1						
33	2	26306-080002	NUT, M8	1	1						
34	1	26106-080452	BOLT, M8X 45 PLATED	1	1						
35	1	26106-080552	BOLT, M8X 55 PLATED	1	1						
36	1	198461-52950	RELAY, CA TYPE C	1	1						
37	1	129927-77920	RELAY	2	2						

OCD50-M00340 4TNV88C-STB/-STB1

Fig.18. ELECTRONIC CONTROL UNIT(ECU)



OCD50-M00340 Fig.18

(A)=4TNV88C-STB
(B)=4TNV88C-STB1
(C)=

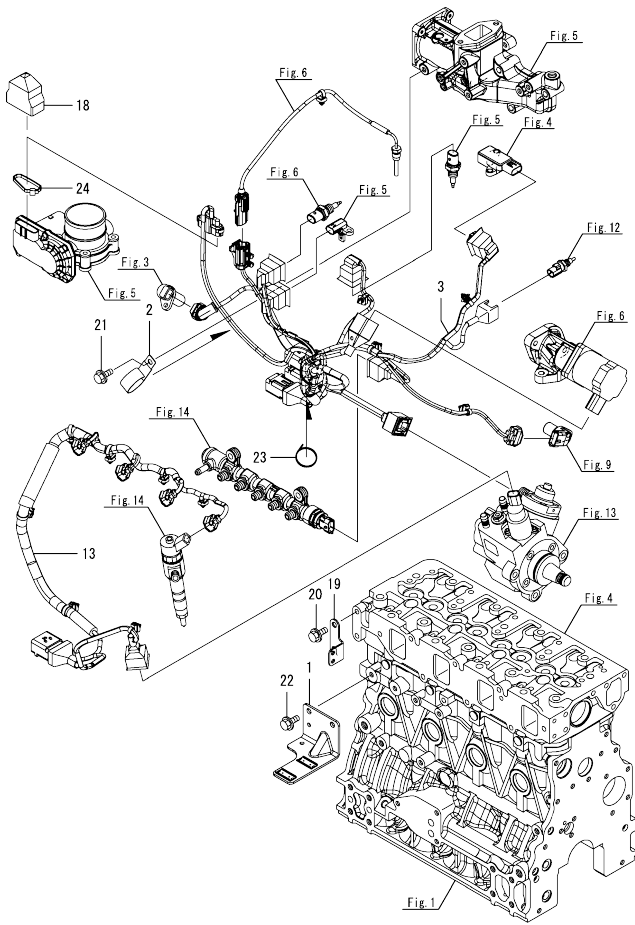
(D)=
(E)=
(F)=

No.	Lev.	Parts No.	Description	Q'ty						I	R
				(A)	(B)	(C)	(D)	(E)	(F)		
1	1	129C20-75080	ECU ASSY,4TNV88C-STB	1	1						1
9	1	129A00-75910	ECU ASSY,SERVICE YMR	1	1						2

Remarks

- (1)Eco ECU
This part cannot be ordered.
- Replace the part using a Service ECU with the proper engine information installed.
- (2)Service ECU
When replacing this part, it is necessary to update the software of the ECU using the designated service tool.
- Please refer to the Service Manual for details.

OCD50-M00340 4TNV88C-STB/-STB1
Fig.19. ELECTRIC PARTS



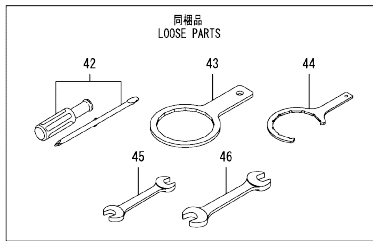
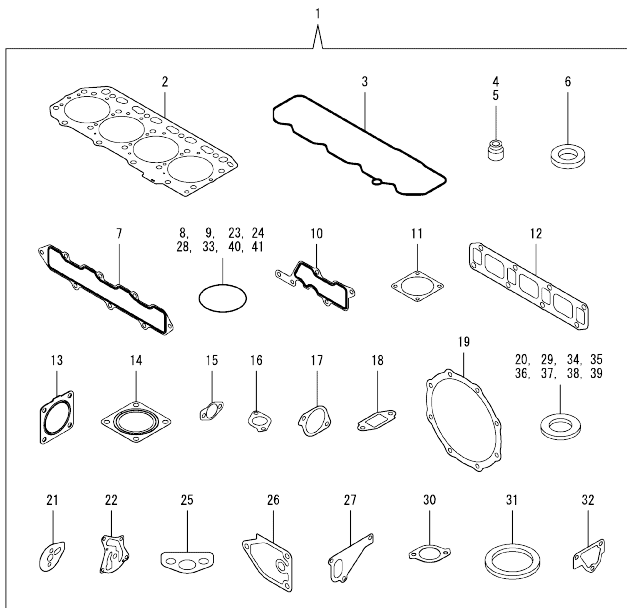
OCD50-M00340 Fig.19

(A)=4TNV88C-STB
 (B)=4TNV88C-STB1
 (C)=

(D)=
 (E)=
 (F)=

No.	Lev.	Parts No.	Description	Q'ty					
				(A)	(B)	(C)	(D)	(E)	(F)
1	1	129A00-77930	BRACKET,CONNECTOR	1	1				
2	1	129928-79700	CLIP	1	1				
3	1	129C00-91222	HARNESS,B ECO ENGINE	1	1				
13	1	129C00-91232	HARNESS C,ECO ENGINE	1	1				
18	1	129A00-91451	BOOT,CAP TYPE	1	1				
19	1	129A00-91600	BRACKET, HARNESS	1	1				
20	1	26106-080122	BOLT, M8X 12 PLATED	2	2				
21	1	26106-080122	BOLT, M8X 12 PLATED	1	1				
22	1	26106-080122	BOLT, M8X 12 PLATED	2	2				
23	1	29621-100000	BAND, TR100	1	1				
24	1	29621-200000	BAND	1	1				

Fig.20. GASKET SET & TOOLS



(A)=4TNV88C-STB
(B)=4TNV88C-STB1
(C)=

(D)=
(E)=
(F)=

No.	Lev.	Parts No.	Description	Q'ty						I	R	
				(A)	(B)	(C)	(D)	(E)	(F)			
1	1	129C20-92620	PACKING	1	1						1	
2	2	129685-01350	GASKET, HEAD	1	1							
3	2	129C00-11310	GASKET, COVER	1	1							
4	2	124460-11340	SEAL, VALVE STEM	4	4							
5	2	129A00-11340	SEAL, VALVE STEM	4	4							
6	2	129978-11871	GASKET, INJECTOR	4	4							
7	2	129C00-12110	GASKET, INT MANIFOLD	1	1							
8	2	129A00-12780	O-RING, PRES SENSOR	2	2							
9	2	129A00-12790	O-RING, TEMP SENSOR	1	1							
10	2	129A00-12810	GASKET, COLLECTOR	1	1							
11	2	129A00-12910	GASKET, THROTTLE	2	2							
12	2	129C00-13110	GASKET, EXH MANIFOLD	1	1							
13	2	129930-13201	GASKET, SILENCER	1	1							
14	2	128300-13230	GASKET, SILENCER	1	1							
15	2	129A00-13410	GASKET, EGR COOLER	2	2							
16	2	129927-13810	GASKET	1	1							
17	2	129A00-13910	GASKET, EGR-V IN	1	1							
18	2	129A00-13920	GASKET, EGR-V OUT	1	1							
19	2	129A00-16600	GASKET, DPF	2	2							
20	2	129A00-17311	GASKET, SENSOR	4	4							
21	2	129A00-25210	GASKET, IDLE SHAFT B	1	1							
22	2	129486-32020	GASKET, PUMP	1	1							
23	2	119609-32040	O-RING, P16	2	2							
24	2	119624-32040	O-RING, P12.0	1	1							
25	2	129150-35042	GASKET	1	1							
26	2	129150-35111	GASKET	1	1							
27	2	129486-42021	GASKET, WATER PUMP	1	1							
28	2	129486-42140	O-RING, G30	1	1							
29	2	124465-44950	GASKET, 16	1	1							
30	2	129795-49551	GASKET	1	1							
31	2	129150-49811	GASKET, THERMOSTAT	1	1							
32	2	124395-49840	GASKET	1	1							
33	2	129A00-51900	O-RING, FUEL PUMP	1	1							
34	2	22190-080002	WASHER, SEAL 8	1	1							
35	2	22190-120002	WASHER, SEAL 12	1	1							
36	2	22190-140002	WASHER, SEAL 14	2	2							
37	2	22190-220002	WASHER, SEAL 22	1	1							
38	2	23414-080000	GASKET, 8X1.0	1	1							
39	2	23414-120000	GASKET, 12X1.0	2	2							
40	2	24311-000120	O-RING, 1AP12.0	3	3							
41	2	24311-000320	O-RING, 1AP32.0	3	3							
42	1	104200-92350	DRIVER, SCREW	1	1							
43	1	119640-92750	WRENCH, FILTER 80	1	1							
44	1	129A00-92750	WRENCH, PRE FILTER	1	1							
45	1	28110-100120	SPANNER, 10X12	1	1							
46	1	28110-140170	SPANNER, 14X17	1	1							

Remarks

(1)Optional parts.

Parts No. Index

Parts No.	Fig. No.	Ref. No.
104200-92350	20	42
114270-59010	15	9
119131-18320	6	8
119140-12680	5	36
119609-32040	2	5
	20	23
119620-01750	3	3
119620-77461	17	14
119620-77471	17	15
119620-77490	17	16
119620-77710	17	17
119620-79200	17	8
119620-79210	17	9
119620-79220	17	10
119620-79230	17	11
119620-79250	17	6
119620-79290	17	20
119620-79300	17	21
119620-79310	17	22
119620-79320	17	23
119620-79330	17	24
119620-79340	17	25
119620-79350	17	26
119624-32040	2	6
	20	24
119624-77351	17	30
119629-49080	12	61
119640-01640	3	8
119640-61400	4	51
119640-92750	20	43
119660-01570	5	11
119802-11260	4	4
119802-11270	4	5
119802-13600	6	17
119802-21660	10	8
119802-25071	9	28
119803-21200	10	4
119808-12520	5	31
119808-12540	5	33
119865-21600	10	14
119866-12541	5	34
119934-01800	2	13
119940-59130	11	36
119940-77270	17	28
119940-77310	17	29
120130-11860	4	63
120270-54410	4	30
121111-21501	10	11
121120-13590	6	32
121267-44590	12	57

Parts No.	Fig. No.	Ref. No.
121450-42450	12	34
121450-44531	12	54
121468-44540	12	53
121470-44581	12	56
121520-34810	11	16
121550-23200	10	30
121550-49111	12	33
121850-21680	10	10
122780-59100	14	11
123501-79240	17	5
123907-03100	4	39
123907-03110	4	40
123907-03120	4	41
123907-03140	4	42
124060-01050	1	11
124085-35350	11	22 -1
124160-01751	2	3
	4	35
124160-01910	1	12
		13
124160-11360	4	55
124240-01871	2	14
124298-39450	11	39
124395-49840	12	17
	20	32
124450-44560	12	55
124460-11340	4	24
	20	4
124465-44950	12	36
	20	29
128300-13230	20	14
128401-77440	17	12
128401-77450	17	13
129001-01250	1	4
129001-02931	1	29
129004-03010	4	37
129004-11650	4	7
129004-34802	11	15
129004-42040	12	15
129005-03080	5	1
129005-11100	4	20
129006-35100	11	23
		25 A
129006-44480	11	28
129008-77800	4	61
129030-44760	12	25
129052-77380	17	4
129052-79260	17	18
129052-79270	17	19
129100-01580	2	2

Parts No.	Fig. No.	Ref. No.
129100-01580	3	1
		15
	10	2
129100-01640	3	16
129100-11112	4	21
129100-23910	10	33
129100-42051	12	3
129100-42121	12	4
129103-49301	12	9
129136-77011	16	1
129136-77310	16	2
129136-77520	16	14
129150-01200	1	27
129150-02020	1	6
129150-02450	9	4
129150-02871	1	32
129150-02931	1	24
129150-02941	1	35
129150-03070	4	38
129150-11230	4	8
129150-11280	4	6
129150-11370	4	12
129150-11750	4	10
129150-11810	4	64
129150-14200	9	1
129150-14400	9	2
129150-23601	10	31
129150-23611	10	34
129150-35042	11	17
	20	25
129150-35111	11	26
	20	26
129150-35153	11	40
129150-49080	12	59
129150-49100	12	58
129150-49811	12	29
	20	31
129202-22300	10	24
129236-12510	5	30
129242-55740	15	26 -1
129259-12570	5	35
129350-49530	12	30
129400-01730	3	6
129400-77490	16	12
129400-77571	16	18
129410-03990	5	2
129417-33111	11	22
129417-35150	11	25
		25 C
129418-12530	5	32

Parts No.	Fig. No.	Ref. No.
129418-18320	6	21
129436-35070	11	18
129457-49801	12	28
129466-44510	12	52
129486-01670	3	19
129486-32020	11	13
	20	22
129486-42021	12	14
	20	27
129486-42140	12	16
	20	28
129508-33010	11	20
129508-33031	11	20 -1
129508-33050	11	21
129508-33060	11	21 -1
129508-35100	11	23 -1
129508-35150	11	25 D
129508-49030	11	29
129508-49040	11	33
129556-42350	12	23
129601-11241	4	1
129601-11251	4	2
129604-21000	10	1
129612-52100	15	13
129655-44740	12	27
129685-01350	1	28
	20	2
129688-01780	3	7
129795-01780	3	18
129795-01900	17	1
129795-01950	2	4
129795-02412	1	9
129795-11120	4	22
129795-11180	4	23
129795-21661	10	9
129795-49551	12	31
	20	30
129900-07900	4	58
129900-77400	16	3
129900-77440	16	6
129900-77450	16	7
		11
129900-77460	16	9
129900-77480	16	10
129900-77640	16	19
129916-49740	12	11
129917-55821	15	25
129917-55830	15	26
129917-55870	15	25 -1
129927-13810	6	25

Parts No. Index

Parts No.	Fig. No.	Ref. No.	Parts No.	Fig. No.	Ref. No.	Parts No.	Fig. No.	Ref. No.	Parts No.	Fig. No.	Ref. No.
129927-13810	20	16	129A00-13610	6	4	129A00-17600	8	27	129A00-91200	7	37
129927-44900	12	35	129A00-13751	6	23	129A00-17650	7	30		8	44
129927-77920	17	37	129A00-13770	6	6		8	30		15	37
129928-49420	12	10	129A00-13851	6	19	129A00-17702	7	33		7	44
		38	129A00-13861	6	20		8	33		7	12
129928-79700	19	2	129A00-13910	6	29	129A00-17760	7	34	129A00-91430	7	39
129930-13201	7	1		20	17		8	34		8	45
	8	1	129A00-13920	6	30	129A00-21710	3	21		8	39
	20	13		20	18	129A00-22500	10	18		19	45
129944-07910	4	59	129A00-14100	9	6	129A00-22950	10	38	129A00-91451	19	18
129960-03990	12	41	129A00-14700	9	8	129A00-25050	9	13	129A00-91600	19	19
		44	129A00-14710	9	11	129A00-25060	9	21	129A00-92750	20	44
		47	129A00-16002	8	5	129A00-25080	9	29	129A01-13700	6	5
129961-77200	17	2	129A00-16031	8	5 -1	129A00-25110	9	14	129A01-42000	12	1
129961-77421	17	7	129A00-16201	7	6	129A00-25120	9	22	129A20-16060	7	5
129978-11871	4	28		8	6	129A00-25200	9	25	129A20-16070	7	5 -1
	20	6	129A00-16231	7	6 -1	129A00-25210	9	26	129A20-16510	7	10
129978-13600	6	3		8	6 -1		20	21	129C00-01560	1	1
129978-13700	6	18	129A00-16400	7	8	129A00-25900	9	18	129C00-11310	4	44
129A00-01500	2	1		8	8	129A00-49610	12	39		20	3
129A00-01550	2	11	129A00-16500	8	10	129A00-51000	13	1	129C00-11350	4	36
129A00-01602	3	2	129A00-16600	7	11	129A00-51100	13	2	129C00-11710	4	13
129A00-11330	4	45		8	11	129A00-51110	13	3	129C00-12100	5	5
129A00-11340	4	25		20	19	129A00-51120	13	4	129C00-12110	5	3
	20	5	129A00-16610	7	12	129A00-51130	13	5		20	7
129A00-11900	4	29		8	12	129A00-51200	13	6	129C00-12150	5	4
129A00-12703	4	46	129A00-16700	7	14	129A00-51900	13	7	129C00-13110	6	1
129A00-12711	5	12		8	14		20	33		20	12
129A00-12720	5	7	129A00-16710	7	15	129A00-53100	14	1	129C00-13121	6	2
129A00-12780	4	47		8	15	129A00-53200	14	4	129C00-13800	6	24
	20	8	129A00-16730	7	16	129A00-55600	15	14	129C00-13860	7	3 -1
129A00-12790	5	13		8	16	129A00-55610	15	15		8	3 -1
	20	9	129A00-16740	7	17	129A00-55730	15	23	129C00-13870	7	4 -1
129A00-12810	5	9		8	17	129A00-55740	15	24		8	4 -1
	20	10	129A00-16801	7	18	129A00-55750	15	19	129C00-13901	6	28
129A00-12820	5	24		8	18	129A00-55751	15	19 -1	129C00-13940	7	3
129A00-12830	5	14	129A00-17200	7	22	129A00-55760	15	20		8	3
129A00-12851	5	10		8	22	129A00-55800	15	16	129C00-13950	7	4
129A00-12900	5	25	129A00-17300	7	24	129A00-57100	14	7		8	4
129A00-12910	5	26		8	24	129A00-57200	14	8	129C00-14580	9	3
	20	11	129A00-17311	7	25	129A00-57210	14	9	129C00-22080	10	16
129A00-13300	6	10		8	25	129A00-59020	15	4	129C00-22900	10	36
129A00-13350	6	12		20	20	129A00-59110	5	15	129C00-32000	11	1
	7	23	129A00-17350	7	26	129A00-59120	5	16	129C00-49610	12	43
	8	23		8	26	129A00-59700	14	13	129C00-49620	12	46
129A00-13360	4	48	129A00-17520	7	29	129A00-59820	14	16	129C00-57000	14	6
129A00-13380	4	50		8	29	129A00-59830	14	18	129C00-59030	15	8
129A00-13400	6	15	129A00-17570	7	32	129A00-75910	18	9	129C00-59500	15	1
129A00-13410	6	16		8	32	129A00-77930	19	1	129C00-59810	14	15
	20	15	129A00-17600	7	27	129A00-91200	6	7	129C00-59820	14	17

Parts No. Index

Parts No.	Fig. No.	Ref. No.
129C00-77820	4	62
129C00-91200	7	38
	8	38
129C00-91222	19	3
129C00-91232	19	13
129C01-16690	7	13
	8	13
129C01-55720	15	22
129C20-17760	7	42
	8	42
129C20-75080	18	1
129C20-92620	20	1
129C23-49700	12	50
129C28-01340	1	28 -1
129C30-21580	10	12
129E00-55700	15	17
129E00-55701	15	17 -1
129E00-55710	15	18
171008-03990	11	30
		34
171008-77450	16	8
171008-77510	16	13
171008-77540	16	15
171008-77650	16	20
171008-77660	16	24
171008-77670	16	25
171008-77750	16	31
171031-11741	2	9
171051-01921	1	5
198461-52950	17	36
22117-100000	6	34
22190-080002	2	15
	20	34
22190-120002	12	37
	20	35
22190-140002	5	17
	20	36
22190-220002	3	10
	20	37
22217-100000	6	35
22217-180000	9	19
22252-000260	10	25
22351-030010	10	7
22351-060012	4	31
22512-070140	9	7
	10	5
22857-500100	4	52
		53
23080-007000	15	3
23080-015000	11	32

Parts No.	Fig. No.	Ref. No.
23080-015000	11	37
	15	7
23297-080061	6	11
23414-080000	12	18
	20	38
23414-120000	6	13
	20	39
23876-010000	12	12
24311-000120	4	56
	20	40
24311-000320	2	7
		10
	4	57
	20	41
25152-003800	12	24
26106-060102	9	9
26106-060122	6	14
26106-060162	7	35
	8	35
26106-060202	5	27
26106-060322	16	29
26106-060402	5	28
	16	30
26106-060602	12	26
26106-060902	5	29
26106-080122	12	19
	19	20
		21
		22
26106-080142	7	19
	8	19
	9	10
26106-080162	2	8
		16
	3	11
	4	60
	12	20
26106-080202		51
	7	36
		43
	8	36
		43
	11	38
26106-080222	7	20
	8	20
	12	32
26106-080252	3	12
	4	32
	6	26
	14	10

Parts No.	Fig. No.	Ref. No.
26106-080302	13	8
26106-080352	2	17
	3	20
	4	33
26106-080402	2	18
	9	27
26106-080452	3	13
	9	17
	17	34
26106-080502	3	14
	4	34
	5	8
		20
	6	22
26106-080552	11	19
	17	35
26106-080602	2	19
	12	22
26106-080752	5	21
26106-080852	2	20
26106-081004	17	32
26106-100202	7	40
	8	40
26106-100652	6	36
26106-120252	16	32
26206-100252	3	4
26206-100302	3	5
26216-060202	5	6
26216-080252	5	18
26216-081052	5	22
26226-080182	4	11
26306-080002	5	23
	6	27
		31
	7	21
		41
	8	21
		41
	17	33
26306-100002	6	9
	17	27
26366-060002	14	19
26450-060162	3	22
	4	54
	9	12
26450-060252	11	14
26577-060142	12	13
26706-100002	6	37
26716-060002	5	19
26776-180002	9	20

Parts No.	Fig. No.	Ref. No.
27241-120000	1	14
27241-300000	1	10
27241-400000	4	19
27310-080001	4	26
28110-100120	20	45
28110-140170	20	46
29621-100000	19	23
29621-200000	19	24
729402-23100	10	26
X2114255110	16	5
X2114555500	16	21
X2114955020	16	22
X2130350900	16	4
X2240410100	16	23
X9490561001	17	3