

0CW10-M20900EN

PREFACE

1. This parts catalog is the 1st edition of 3TNV76-CCSF for C.S.F. s.r.l.

Pub.No. : 000Y00W2090

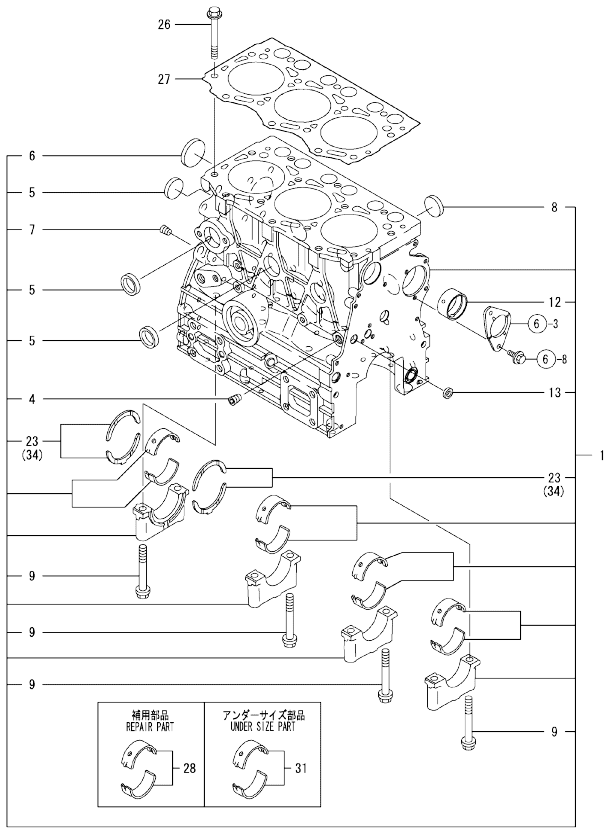
Published : August,2007

Contents

Fig. No.	Fig. Name	Fig. No.	Fig. Name
3	TNV76-CCSF		
1.	CYLINDER BLOCK		
2.	GEAR HOUSING		
3.	FLYWHEEL HOUSING & OIL SUMP		
4.	CYLINDER HEAD & BONNET		
5.	EXHAUST MANIFOLD		
6.	CAMSHAFT & DRIVING GEAR		
7.	CRANKSHAFT & PISTON		
8.	LUB.OIL SYSTEM		
9.	COOLING WATER SYSTEM		
10.	FUEL INJECTION PUMP		
11.	GOVERNOR		
12.	FUEL INJECTION VALVE		
13.	FUEL LINE		
14.	STARTING MOTOR		
15.	GENERATOR		
16.	GASKET SET		

OCW10-M20900

Fig.1. CYLINDER BLOCK



(A)=3TNV76-CCSF
(B)=
(C)=

(D)=
(E)=
(F)=

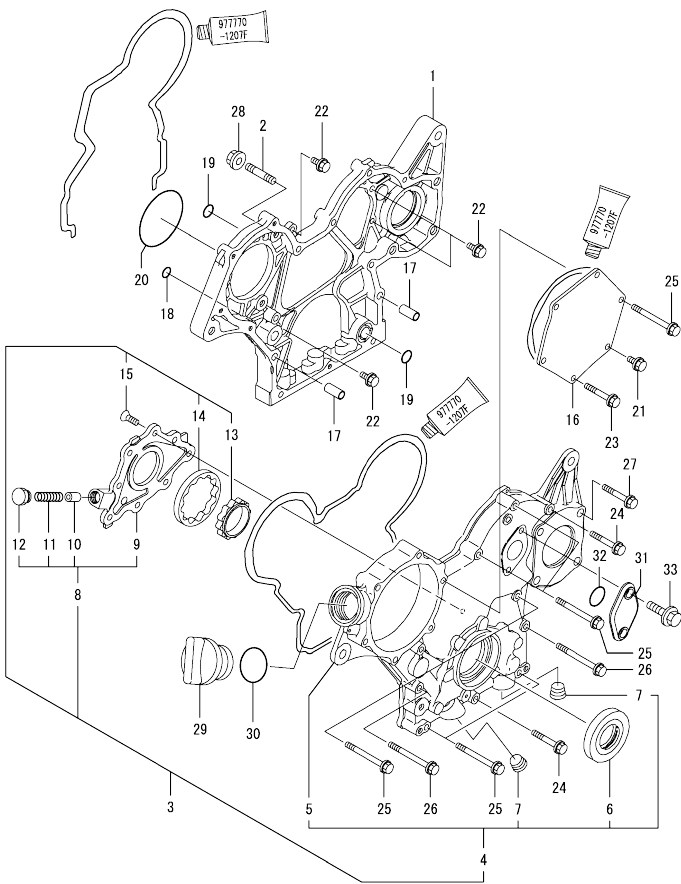
No.	Lev.	Parts No.	Description	Q'ty						I	R
				(A)	(B)	(C)	(D)	(E)	(F)		
1	1	719717-01561	BLOCK ASSY, CYLINDER	1							
4	2	124060-01050	PLUG, PT1/8	1							
5	2	105311-01090	PLUG, 30	4							
6	2	119623-01250	PLUG, 45	1							
7	2	124160-01910	PLUG, PT1/4	1							
8	2	119285-01990	PLUG, 25	3							
9	2	119620-02020	BOLT, METAL CAP	8							
12	2	119717-02411	BUSH, CAMSHAFT	1							
13	2	27241-120000	PLUG, 12	1							
23	2	119717-02930	BEARING, THRUST	2							
26	1	119810-01200	BOLT, HEAD	14							
27	1	119717-01330	GASKET, HEAD	1							
28	1	719717-02901	BEARING, MAIN	4							1
31	1	719717-02911	BEARING, 0.25 US	4							2
34	1	119810-02941	BEARING, THRUST 0.25	2							3

Remarks

- (1) REPAIR PART.
- (2) UNDER-SIZED(U.S=0.25)PART.
- (3) OVER-SIZED(O.S=0.25)PART.

OCW10-M20900

Fig.2. GEAR HOUSING

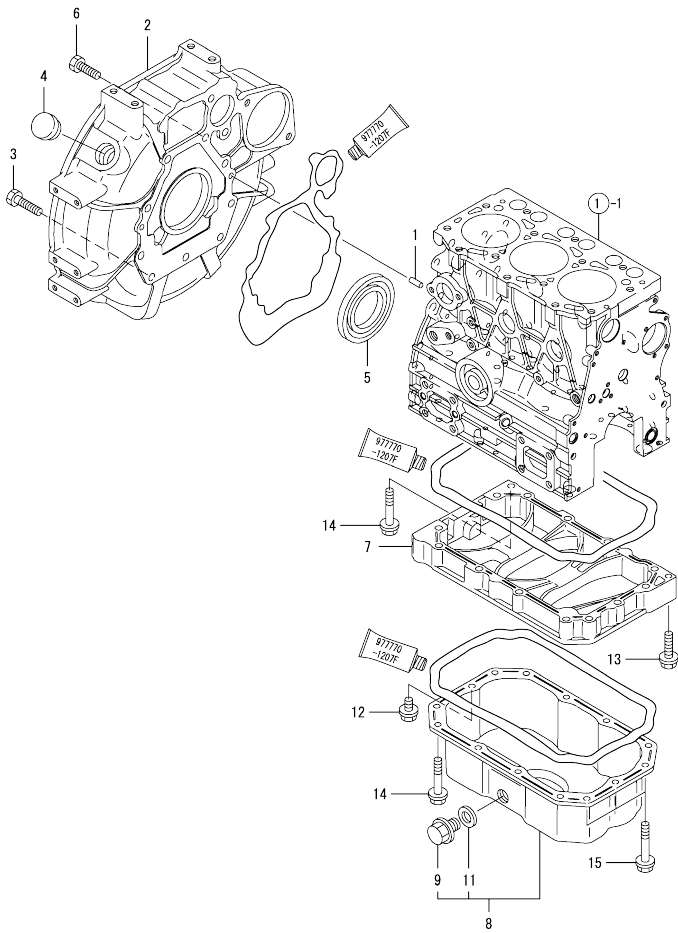


No.	Lev.	Parts No.	Description	Q'ty						I	R
				(A)	(B)	(C)	(D)	(E)	(F)		
1	1	119742-01500	CASE, GEAR	1							
2	1	119717-01570	STUD	3							
3	1	119740-01580	COVER ASSY,GEAR CASE	1							
4	2	719740-01510	COVER ASSY,GEAR CASE	1							
5	3	119740-01521	COVER, GEAR CASE	1							
6	3	119717-01800	SEAL, OIL	1							
7	3	23876-030000	PLUG, R03	2							
8	2	119717-32100	COVER ASSY	1							
9	3	119717-32080	COVER	1							
10	3	129900-32130	VALVE, RELIEF	1							
11	3	129001-32320	SPRING	1							
12	3	129001-32330	PLUG	1							
13	2	119717-32110	ROTOR, INNER	1							
14	2	119717-32120	ROTOR, OUTER	1							
15	2	119802-32130	SCREW, M6X16	8							
16	1	119717-01750	COVER	1							
17	1	119660-01911	PIPE, KNOCK	4							
18	1	119624-32040	O-RING, P12.0	1							
19	1	119717-32050	O-RING, P17.0	3							
20	1	121850-51960	O-RING	1							
21	1	26106-060122	BOLT, M6X 12 PLATED	1							
22	1	26106-060162	BOLT, M6X 16 PLATED	4							
23	1	26106-060402	BOLT, M6X 40 PLATED	4							
24	1	26106-060402	BOLT, M6X 40 PLATED	2							
25	1	26106-060602	BOLT, M6X 60 PLATED	7							
26	1	26106-060652	BOLT, M6X 65 PLATED	2							
27	1	26106-080352	BOLT, M8X 35 PLATED	3							
28	1	26306-080002	NUT, M8	3							
29	1	124160-01751	COVER, FILLER	1							
30	1	24311-000320	O-RING, 1AP32.0	1							
31	1	121023-01551	COVER	1							
32	1	24341-000240	O-RING, 1AS24.0	1							
33	1	26106-060162	BOLT, M6X 16 PLATED	2							

N:Old $\frac{New}{Old}$ New, Q:Old $\frac{New}{Old}$ New, R:Old $\frac{New}{Old}$ New, S:Old $\frac{New}{Old}$ New, W:Add, Z:Discontinued, F:Interchangeable by set, K:Qty Change
 Copyright (C) YANMAR CO., LTD. All Rights Reserved.

OCW10-M20900

Fig.3. FLYWHEEL HOUSING & OIL SUMP

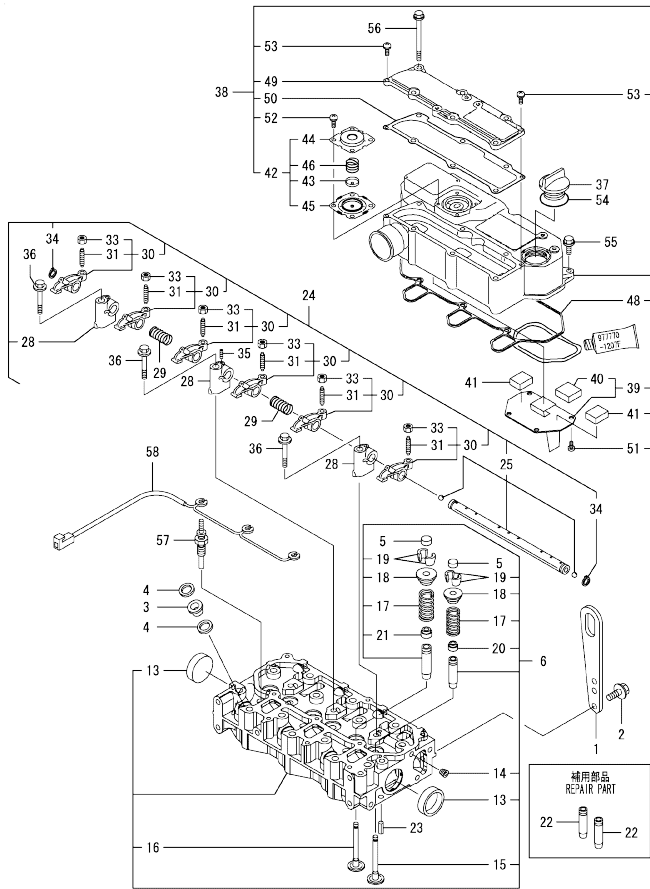


No.	Lev.	Parts No.	Description	Q'ty						I	R
				(A)	(B)	(C)	(D)	(E)	(F)		
1	1	129100-01580	PIN, M8X16	2							
2	1	119717-01601	HOUSING, FLYWHEEL	1							
3	1	121120-01620	BOLT, M10X28	3							
4	1	119620-01750	CAP	1							
5	1	124085-02220	SEAL, OIL	1							
6	1	26206-100252	BOLT, M10X 25 PLATED	8							
7	1	119717-01720	SPACER, OIL SUMP	1							
8	1	119717-01770	SUMP ASSY, OIL	1							
9	2	105425-01690	PLUG, 16	1							
11	2	22190-160002	WASHER, SEAL 16	1							
12	1	26106-080122	BOLT, M8X 12 PLATED	1							
13	1	26106-080302	BOLT, M8X 30 PLATED	1							
14	1	26106-080452	BOLT, M8X 45 PLATED	11							
15	1	26106-080502	BOLT, M8X 50 PLATED	3							

N:Old $\frac{100}{100}$ New, Q:Old $\frac{100}{100}$ New, R:Old $\frac{100}{100}$ New, S:Old $\frac{100}{100}$ New, W:Add, Z:Discontinued, F:Interchangeable by set, K:Q'ty Change
 Copyright (C) YANMAR CO., LTD. All Rights Reserved.

OCW10-M20900

Fig.4. CYLINDER HEAD & BONNET



(A)=3TNV76-CCSF
(B)=
(C)=

(D)=
(E)=
(F)=

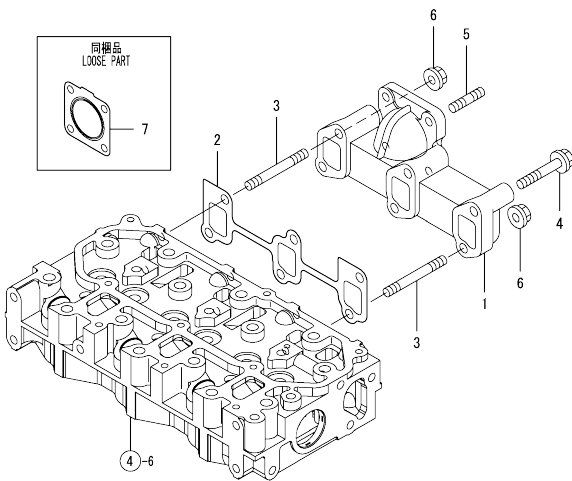
No.	Lev.	Parts No.	Description	Q'ty						I	R
				(A)	(B)	(C)	(D)	(E)	(F)		
1	1	129900-07900	LIFTER	1							
2	1	26106-080162	BOLT, M8X 16 PLATED	2							
3	1	129901-11450	PROTECTOR, NOZZLE	3							
4	1	119600-11460	GASKET, NOZZLE	6							
5	1	105010-11490	CAP, VALVE	6							
6	1	119746-11740	HEAD ASSY, CYLINDER	1							
13	2	119285-11990	PLUG, 35	2							
14	2	23876-005000	PLUG, R005	1							
15	2	119717-11101	VALVE, INTAKE	3							
16	2	119717-11110	VALVE, EXHAUST	3							
17	2	119717-11131	SPRING, VALVE	6							
18	2	129508-11180	RETAINER, SPRING	6							
19	2	119717-11190	COTTER	12							
20	2	119717-11340	SEAL, VALVE STEM	3							
21	2	119717-11350	SEAL, VALVE STEM	3							
22	1	119717-11800	GUIDE, VALVE	6							1
23	1	22351-060012	PIN, SPRING 6.0X12	2							
24	1	119717-11200	SUPPORT ASSY, ARM	1							
25	2	119717-11240	SHAFT ASSY, ROCKER	1							
28	2	119717-11260	SUPPORT, ROCKER ARM	3							
29	2	119620-11280	SPRING	2							
30	2	119717-11650	ARM, ROCKER	6							
31	3	129150-11230	SCREW, VALVE ADJUST	6							
33	3	129150-11750	NUT, M8	6							
34	2	22242-000120	RING, 12	2							
35	2	26979-050162	SCREW, M5X16	1							
36	1	26106-080402	BOLT, M8X 40 PLATED	3							
37	1	124160-01751	COVER, FILLER	1							
38	1	119717-11381	BONNET ASSY, HEAD	1							
39	2	119717-03031	PLATE	1							
40	3	119717-03070	BAFFLE, BREATHER	1							
41	2	119717-03070	BAFFLE, BREATHER	2							
42	2	119802-03100	DIAPHRAGM ASSY	1							
43	3	119802-03110	PLATE	1							
44	3	119802-03121	COVER, DIAPHRAGM	1							
45	3	119802-03131	DIAPHRAGM	1							
46	3	119802-03141	SPRING, DIAPHRAGM	1							
48	2	119718-11310	GASKET, BONNET	1							
49	2	119717-11320	COVER, BONNET	1							
50	2	119717-11331	GASKET	1							
51	2	22857-500100	SCREW, 5X10	4							
52	2	22857-500100	SCREW, 5X10	4							
53	2	22857-500160	SCREW, 5X16	2							
54	1	24311-000320	O-RING, 1AP32.0	1							
55	1	26106-060202	BOLT, M6X 20 PLATED	3							
56	1	26106-060752	BOLT, M6X 75 PLATED	6							
57	1	119717-77800	PLUG, GLOW	3							
58	1	119717-77820	CONNECTOR, GLOW PLUG	1							

Remarks
(1) REPAIR PART.

N:Old $\frac{100}{100}$ New, Q:Old $\frac{100}{100}$ New, R:Old $\frac{100}{100}$ New, S:Old $\frac{100}{100}$ New, W:Add, Z:Discontinued, F:Interchangeable by set, K:Q'ty Change
Copyright (C) YANMAR CO., LTD. All Rights Reserved.

OCW10-M20900

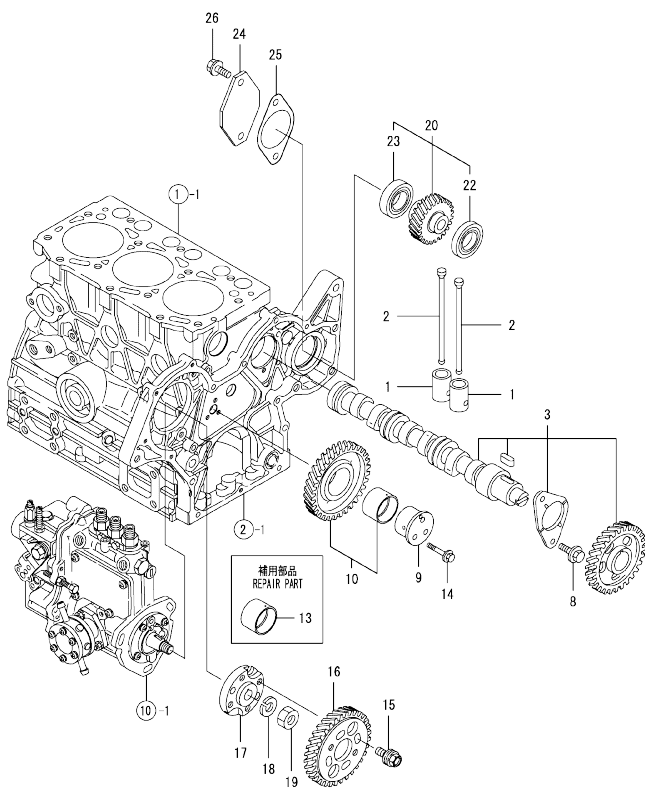
Fig.5. EXHAUST MANIFOLD



No.	Lev.	Parts No.	Description	Q'ty					
				(A)	(B)	(C)	(D)	(E)	(F)
1	1	119718-13100	MANIFOLD, EXHAUST	1					
2	1	119717-13110	GASKET	1					
3	1	119717-13600	STUD, M8X50	2					
4	1	119802-13620	BOLT, M8X50	4					
5	1	119131-18320	STUD, M8X22	4					
6	1	26306-080002	NUT, M8	2					
7	1	119515-13200	GASKET, SILENCER	1					

OCW10-M20900

Fig.6. CAMSHAFT & DRIVING GEAR

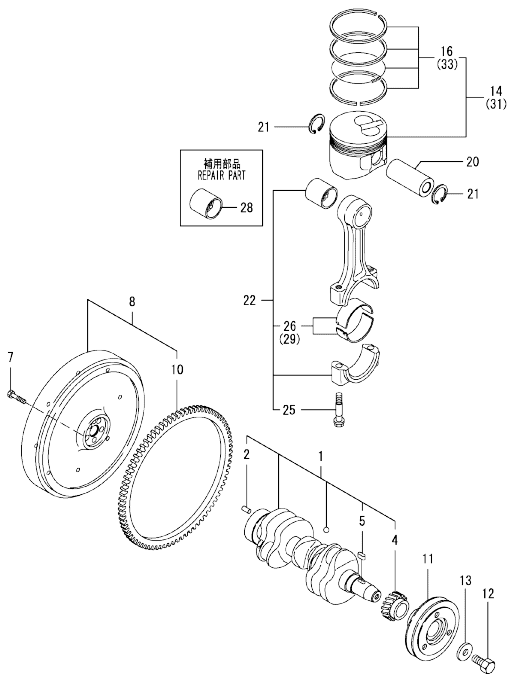


No.	Lev.	Parts No.	Description	Q'ty						I	R
				(A)	(B)	(C)	(D)	(E)	(F)		
1	1	119620-14200	TAPPET	6							
2	1	119717-14400	ROD, PUSH	6							
3	1	119717-14581	CAMSHAFT ASSY	1							
8	1	26106-060122	BOLT, M6X 12 PLATED	2							
9	1	119717-25050	SHAFT, IDLE	1							
10	1	119717-25101	GEAR ASSY, IDLE	1							
13	1	119717-25911	BUSH, IDLE GEAR	1							1
14	1	26106-060352	BOLT, M6X 35 PLATED	3							
15	1	129150-25301	BOLT	4							
16	1	119717-25930	GEAR, PUMP	1							
17	1	119717-51150	FLANGE	1							
18	1	22217-120000	WASHER, SPRING 12	1							
19	1	26716-120002	NUT, M12	1							
20	1	119744-26000	GEAR ASSY, PUMP	1							
22	2	129350-26490	BEARING, BALL 16005	1							
23	2	24104-060054	BEARING, BALL 6005UU	1							
24	1	119742-26070	COVER	1							
25	1	119742-26080	GASKET	1							
26	1	26106-080162	BOLT, M8X 16 PLATED	2							

Remarks
(1) REPAIR PART.

N:Old $\frac{100}{100}$ New, Q:Old $\frac{100}{100}$ New, R:Old $\frac{100}{100}$ New, S:Old $\frac{100}{100}$ New, W:Add, Z:Discontinued, F:Interchangeable by set, K:Q'ty Change
Copyright (C) YANMAR CO., LTD. All Rights Reserved.

Fig.7. CRANKSHAFT & PISTON



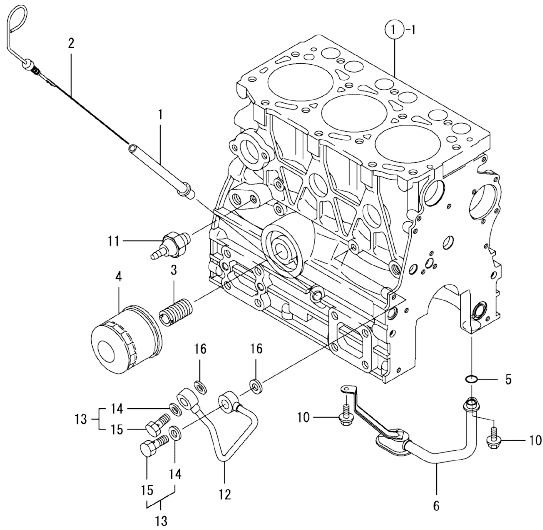
No.	Lev.	Parts No.	Description	Q'ty						I	R
				(A)	(B)	(C)	(D)	(E)	(F)		
1	1	119717-21700	CRANKSHAFT ASSY	1							
2	2	129100-01580	PIN, M8X16	1							
4	2	119717-21200	GEAR, CRANKSHAFT	1							
5	2	22512-040120	KEY, 4X 12	1							
7	1	121111-21501	BOLT, FLYWHEEL	5							
8	1	119636-21590	FLYWHEEL ASSY	1							
10	2	119865-21600	GEAR, RING	1							
11	1	119717-21650	V-PULLEY	1							
12	1	119621-21680	BOLT, FLANGE 12X1.25	1							
13	1	119620-21941	WASHER	1							
14	1	119717-22080	PISTON ASSY	3							
16	2	119717-22500	RING SET, PISTON	3							
20	1	119717-22300	PIN, PISTON	3							
21	1	22252-000220	RING, 22	6							
22	1	119717-23000	ROD ASSY, CONNECTING	3							
25	2	119717-23200	BOLT, CONNECTING ROD	6							
26	2	119717-23601	BEARING, CRANK PIN	3							
28	1	119717-23910	BEARING, PISTON PIN	3							1
29	1	119717-23611	METAL ASSY, 0.25	3							2
31	1	119717-22090	PISTON ASSY, 0.25 OS	3							3
33	2	119717-22550	RING SET, 0.25 OS	3							3

Remarks

- (1) REPAIR PART.
- (2) UNDER-SIZED(U.S=0.25)PART.
- (3) OVER-SIZED(O.S=0.25)PART.

OCW10-M20900

Fig.8. LUB.OIL SYSTEM

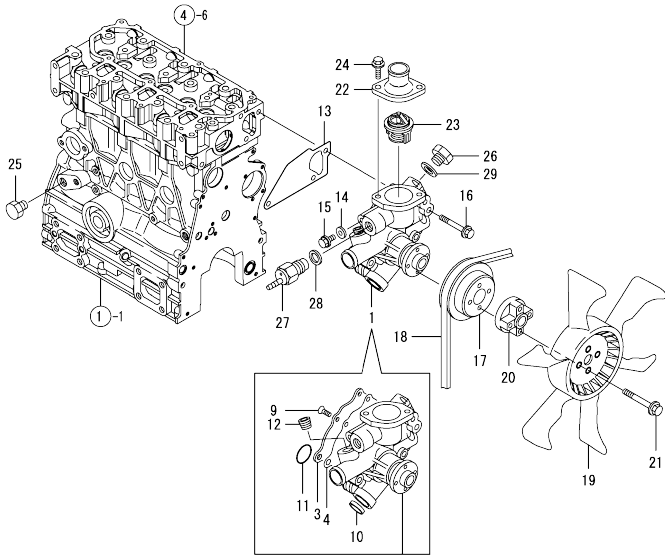


No.	Lev.	Parts No.	Description	Q'ty						
				(A)	(B)	(C)	(D)	(E)	(F)	
1	1	129233-34810	GUIDE, DIPSTICK	1						
2	1	119744-34820	DIPSTICK, OIL	1						
3	1	129100-35140	STUD	1						
4	1	119305-35151	FILTER ASSY, D68XL65	1						1
5	1	119717-32060	O-RING, P15.0	1						
6	1	119717-35080	PIPE ASSY, OIL INLET	1						
10	1	26106-060102	BOLT, M6X 10 PLATED	2						
11	1	114250-39450	SWITCH, 0.5KG	1						
12	1	119717-39210	PIPE, OIL	1						
13	1	129005-59830	BOLT ASSY, JOINT M8	2						
14	2	22190-080002	WASHER, SEAL 6	2						
15	2	23857-030000	BOLT, JOINT 3	2						
16	1	22190-080002	WASHER, SEAL 6	2						

Remarks
(1) REPAIR PART.

N:Old $\frac{100}{100}$ New, Q:Old $\frac{100}{100}$ New, R:Old $\frac{100}{100}$ New, S:Old $\frac{100}{100}$ New, W:Add, Z:Discontinued, F:Interchangeable by set, K:Qty Change
Copyright (C) YANMAR CO., LTD. All Rights Reserved.

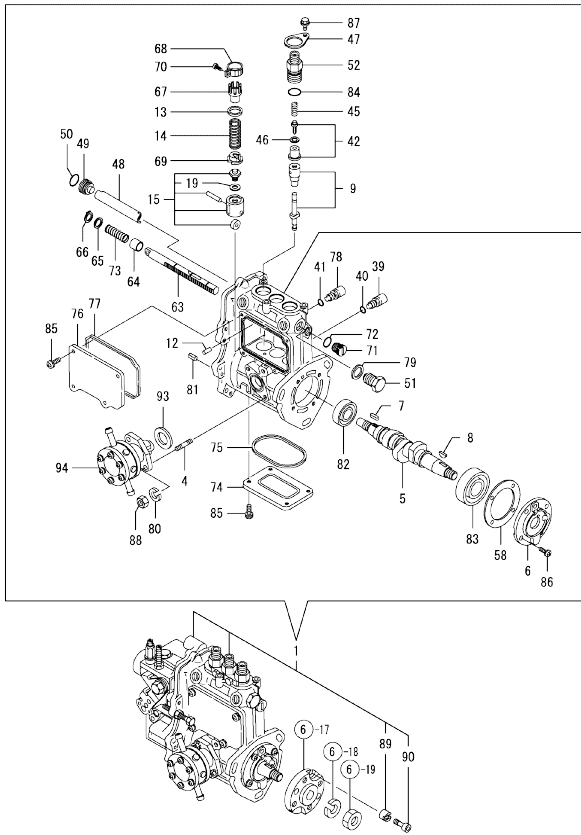
Fig.9. COOLING WATER SYSTEM



No.	Lev.	Parts No.	Description	Q'ty						I	R
				(A)	(B)	(C)	(D)	(E)	(F)		
1	1	119717-42002	PUMP ASSY, WATER	1							
1-1	1	119E10-42000	PUMP ASSY, WATER	1							N
(A=E/ B5771)											
3	2	119717-42041	COVER	1							
4	2	119717-42031	GASKET	1							
9	2	26577-060122	SCREW, M6X12	4							
10	2	27241-250000	PLUG, 25	1							
11	2	119717-42320	O-RING, P26	1							
11-1	2	119C10-42320	O-RING, 2028	1							S
(A=E/ B5771)											
12	2	129916-49740	PLUG, R03	1							
13	1	119717-42020	GASKET, WATER PUMP	1							
14	1	23414-080000	GASKET, 8X1.0	1							
15	1	26106-080122	BOLT, M8X 12 PLATED	1							
16	1	26106-080502	BOLT, M8X 50 PLATED	3							
17	1	119717-42350	V-PULLEY, D=100	1							
18	1	25132-003700	V-BELT, A37	1							
19	1	171340-44740	FAN, COOLING D335XNF	1							
20	1	171353-44760	SPACER, FAN	1							
21	1	26106-060402	BOLT, M6X 40 PLATED	4							
22	1	129350-49530	COVER, THERMOSTAT	1							
23	1	119717-49800	THERMOSTAT, 71	1							
24	1	26106-080202	BOLT, M8X 20 PLATED	2							
25	1	171056-49120	PLUG, DRAIN	1							
26	1	121450-42450	PLUG, M16	1							
27	1	121250-44901	SWITCH, 110	1							
28	1	124465-44950	GASKET, 16	1							
29	1	124465-44950	GASKET, 16	1							

OCW10-M20900

Fig.10. FUEL INJECTION PUMP



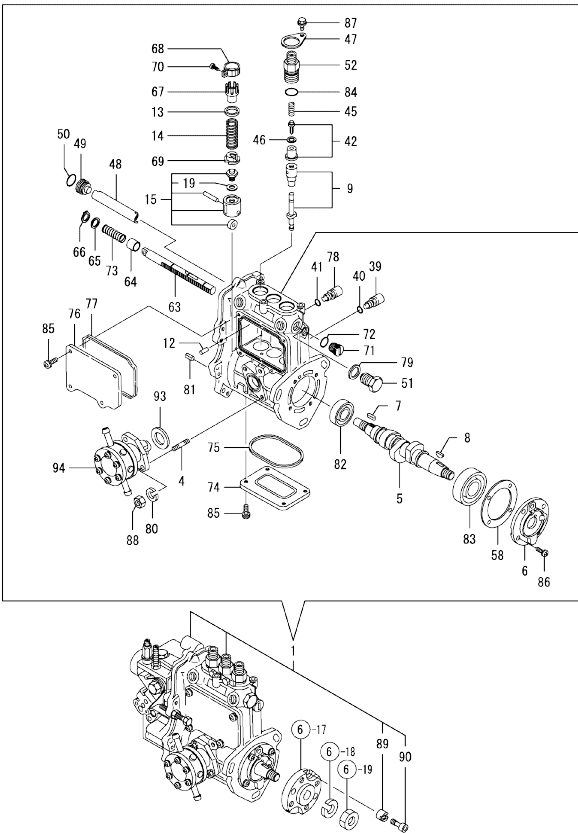
Remarks
 (1) GOVERNOR ASSY(FIG.11) IS
 INCORPORATED IN THIS FUEL
 INJECTION PUMP.(REF.NO.1).

No.	Lev.	Parts No.	Description	Qty						I	R	
				(A)	(B)	(C)	(D)	(E)	(F)			
1	1	719717-51360	PUMP ASSY, INJECTION	1							1	
4	2	129155-51020	STUD	2								
5	2	119717-51030	CAMSHAFT	1								
6	2	119717-51060	SUPPORT, CAMSHAFT	1								
7	2	119717-51070	KEY	1								
8	2	122710-51090	KEY	1								
9	2	119717-51100	PLUNGER ASSY	3								
12	2	129155-51140	PIN	3								
13	2	158600-51170	RETAINER, SPRING	3								
14	2	119717-51190	SPRING, PLUNGER	3								
15	2	119717-51200	TAPPET ASSY	3								
19	3	129155-51600	SHIM SET, ADJUSTING	3								
39	2	158600-51270	STOPPER, TAPPET	3								
40	2	129155-51280	O-RING, S6	3								
41	2	129155-51280	O-RING, S6	1								
42	2	119717-51300	VALVE ASSY, DELIVERY	3								
45	2	119717-51330	SPRING, DELIVERY	3								
46	2	124550-51350	GASKET, DELIVERY	3								
47	2	118400-51370	LOCKING	3								
48	2	129155-51400	DEFLECTOR	1								
49	2	158600-51410	PLUG, DEFLECTOR	1								
50	2	119717-51420	O-RING	1								
51	2	158600-51420	PLUG, DEFLECTOR	1								
52	2	158600-51442	VALVE ASSY, DELIVERY	3								
58	2	129155-51450	SHIM SET, ADJUSTING	1								
63	2	119717-51500	RACK, CONTROL	1								
64	2	129155-51521	BUSH, RACK	1								
65	2	129155-51530	SPACER	1								
66	2	129155-51540	CIRCLIP	1								
67	2	129155-51550	PINION, CONTROL	3								
68	2	129100-51560	PINION	3								
69	2	119717-51570	RETAINER, SPRING	3								
70	2	129100-51570	SCREW	3								
71	2	158600-51570	PLUG	1								
72	2	129155-51580	O-RING	1								
73	2	129155-51591	SPRING, RACK	1								
74	2	129155-51701	COVER	1								
75	2	119717-51711	GASKET	1								
76	2	119717-51750	COVER	1								
77	2	119717-51761	GASKET	1								
78	2	158600-51790	STOOPER, RACK	1								
79	2	22190-160002	WASHER, SEAL 16	1								
80	2	22217-060000	WASHER, SPRING 6	2								
81	2	22351-050010	PIN, SPRING 5.0X10	2								
82	2	24101-060034	BEARING, BALL 6003	1								
83	2	24101-063034	BEARING, BALL 6303	1								
84	2	24316-000150	O-RING, 4DP15.0	3								
85	2	26022-050122	SCREW, M5X12	8								
86	2	26022-060162	SCREW, M6X16	4								
87	2	26106-050102	BOLT, M5X 10 PLATED	3								
88	2	26716-060002	NUT, M6	2								

N:Old $\frac{New}{Old}$ New, Q:Old $\frac{New}{Old}$ New, R:Old $\frac{New}{Old}$ New, S:Old $\frac{New}{Old}$ New, W:Add, Z:Discontinued, F:Interchangeable by set, K:Qty Change
 ++ CONTINUE ++
 Copyright (C) YANMAR CO., LTD. All Rights Reserved.

OCW10-M20900

Fig.10. FUEL INJECTION PUMP



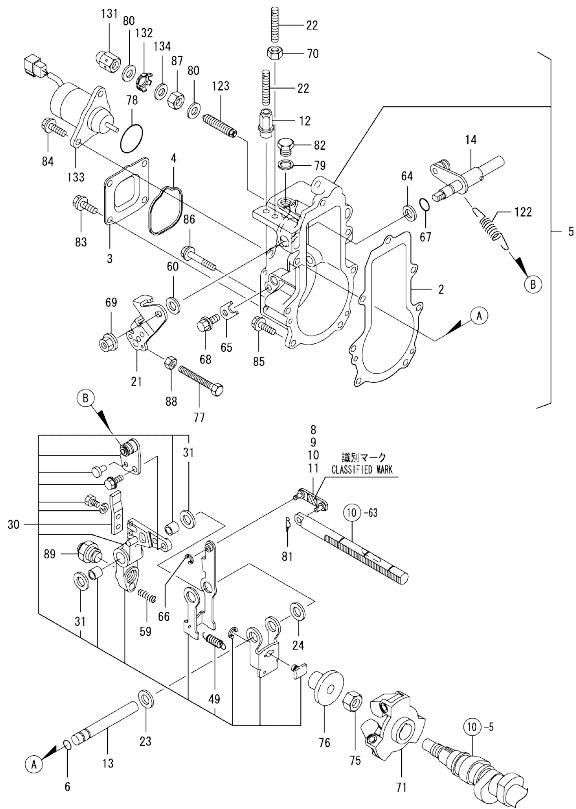
(A)=3TNV76-CCSF
(D)=
(E)=
(F)=

No.	Lev.	Parts No.	Description	Q'ty						I	R
				(A)	(B)	(C)	(D)	(E)	(F)		
89	2	119717-51480	COLLAR	1							
90	2	119717-51490	BOLT	1							
93	2	129155-52051	GASKET	1							
94	2	129100-52101	PUMP ASSY, FUEL FEED	1							

Remarks
(1) GOVERNOR ASSY(FIG.11) IS INCORPORATED IN THIS FUEL INJECTION PUMP.(REF.NO.1).

N:Old $\frac{100}{100}$ New. Q:Old $\frac{100}{100}$ New. R:Old $\frac{100}{100}$ New. S:Old $\frac{100}{100}$ New. W:Add. Z:Discontinued. F:Interchangeable by set. K:Q'ty Change
Copyright (C) YANMAR CO., LTD. All Rights Reserved.

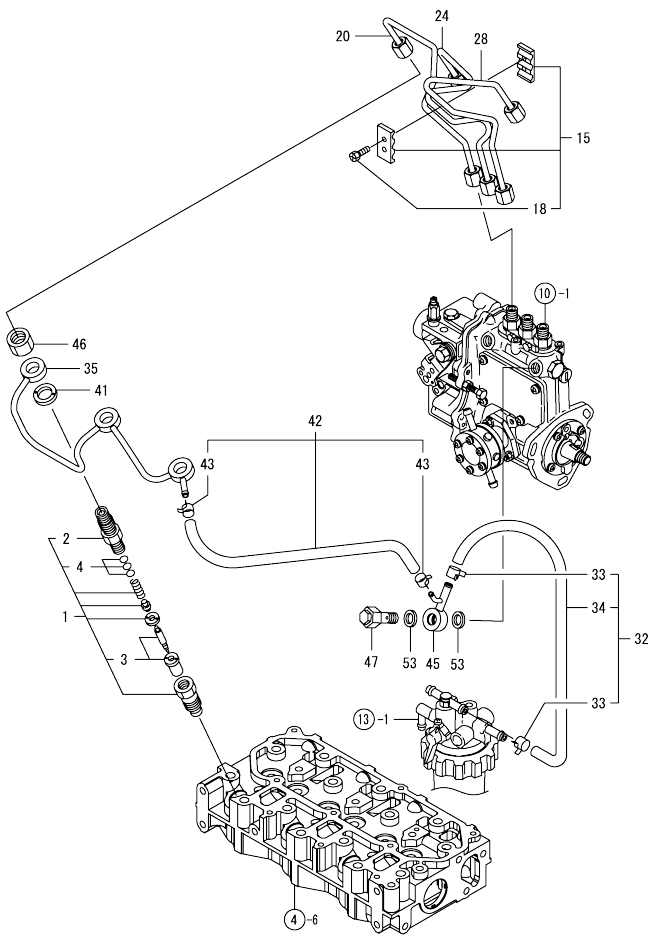
Fig.11. GOVERNOR



Remarks
 * THIS FIGURE(GOVERNOR ASSY)IS
 INCORPORATED IN THE FUEL INJECTION
 PUMP ASSY(FIG.10).
 (1) SELECTIVE PARTS:CERTAIN THE
 CLASSIFICATION MARK THEN PLACE
 YOUR ORDER.(REF.TO ILLUSTRATION).

No.	Lev.	Parts No.	Description	Q'ty						I	R
				(A)	(B)	(C)	(D)	(E)	(F)		
2	2	119717-61050	GASKET	1							
3	2	119717-61060	COVER, GOVERNOR CASE	1							
4	2	119717-61070	GASKET	1							
5	2	119742-61100	CASE ASSY, GOVERNOR	1							
6	3	129155-61280	O-RING, S6	1							
8	3	119717-61120	LINK, MARK :3	1							1
9	3	119717-61130	LINK, MARK 98	1							1
10	3	119717-61140	LINK, MARK 88	1							1
11	3	119717-61150	LINK, MARK 03	1							1
12	3	129209-61370	NUT, M6	1							
13	3	129052-61390	SHAFT	1							
14	3	119717-61400	SHAFT ASSY	1							
21	3	119515-61440	LEVER, CONTROL	1							
22	3	129155-61450	BOLT, LIMITER	2							
23	3	129156-61460	SHIM, T=0.6	1							
24	3	129155-61480	SPACER ASSY	1							
30	3	119717-61500	LEVER ASSY, GOVERNOR	1							
31	4	174307-51700	SHIM SET	2							
49	4	129486-61540	SPRING, SET	1							
59	3	129100-61650	SPRING, CONTROLLER	1							
60	3	158552-61700	SHIM SET	1							
64	3	158552-61710	SHIM, T=1.0	1							
65	3	119660-61901	RETAINER, SHAFT	1							
66	3	22272-000030	RING, E- 3	1							
67	3	24341-000070	O-RING, 1AS7.0	1							
68	3	26106-060102	BOLT, M6X 10 PLATED	1							
69	3	26366-080002	NUT, M8	1							
70	3	26756-060002	NUT, LOCK M6	1							
71	2	119717-61200	WEIGHT ASSY,GOVERNOR	1							
75	2	119660-61300	NUT	1							
76	2	129155-61341	SLEEVE	1							
77	2	129155-61460	BOLT, IDLE	1							
78	2	158552-61900	O-RING	1							
79	2	22190-100002	WASHER, SEAL 10	1							
80	2	22190-120002	WASHER, SEAL 12	2							
81	2	22372-040000	PIN, SNAP 4	1							
82	2	23887-100002	PLUG, 10	1							
83	2	26106-060102	BOLT, M6X 10 PLATED	4							
84	2	26106-060142	BOLT, M6X 14 PLATED	2							
85	2	26106-060202	BOLT, M6X 20 PLATED	4							
86	2	26106-060452	BOLT, M6X 45 PLATED	3							
87	2	26736-120002	NUT, M12	1							
88	2	26756-060002	NUT, LOCK M6	1							
89	2	119527-61550	ANGLEICH ASSY	1							
122	2	129573-61700	SPRING, GOVERNOR	1							
123	2	158601-61700	LIMITER ASSY, FUEL	1							
131	2	129209-61930	NUT, CAP	1							
132	2	129209-61970	PLATE	1							
133	2	119653-77950	SOLENOID, STOP	1							
134	2	23414-120016	GASKET, 12X1.0	1							

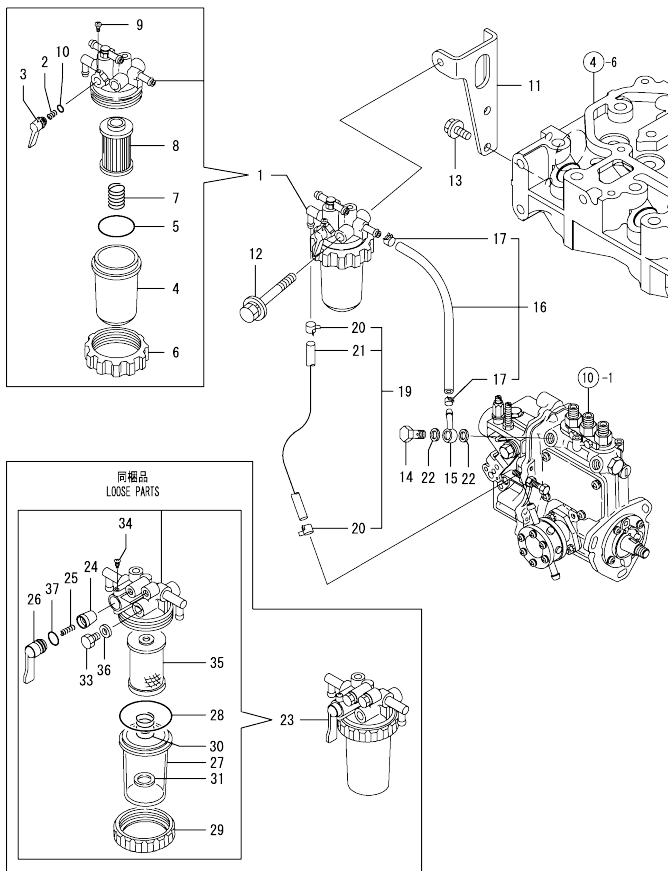
Fig.12. FUEL INJECTION VALVE



No.	Lev.	Parts No.	Description	Q'ty					
				(A)	(B)	(C)	(D)	(E)	(F)
1	1	119515-53001	VALVE ASSY,INJECTION	3					
2	2	118200-53010	HOLDER, NOZZLE	3					
3	2	119515-53010	VALVE ASSY,INJECTION	3					
4	2	129901-53800	SHIM SET, ADJUSTING	3					
15	1	129150-59120	RETAINER, PIPE	1					
18	2	129150-59131	BOLT, M4X14	2					
20	1	119746-59810	PIPE ASSY, INJECTION	1					
24	1	119746-59820	PIPE ASSY, INJECTION	1					
28	1	119746-59830	PIPE ASSY, INJECTION	1					
32	1	129210-59170	PIPE ASSY, FUEL	1					
33	2	124766-59050	CLIP, HOSE 12	2					
34	2	105225-59511	PIPE, FUEL	1					
35	1	119717-59510	PIPE ASSY, RETURN	1					
41	1	129901-59560	GASKET	3					
42	1	119540-59570	PIPE ASSY, RETURN	1					
43	2	124066-59100	CLIP, HOSE 8	2					
45	1	119840-59570	JOINT	1					
46	1	119620-59700	NUT, NOZZLE	3					
47	1	119813-59950	VALVE ASSY, CHECK	1					
53	1	22190-120002	WASHER, SEAL 12	2					

N:Old $\frac{100}{100}$ New, Q:Old $\frac{100}{100}$ New, R:Old $\frac{100}{100}$ New, S:Old $\frac{100}{100}$ New, W:Add, Z:Discontinued, F:Interchangeable by set, K:Qty Change
 Copyright (C) YANMAR CO., LTD. All Rights Reserved.

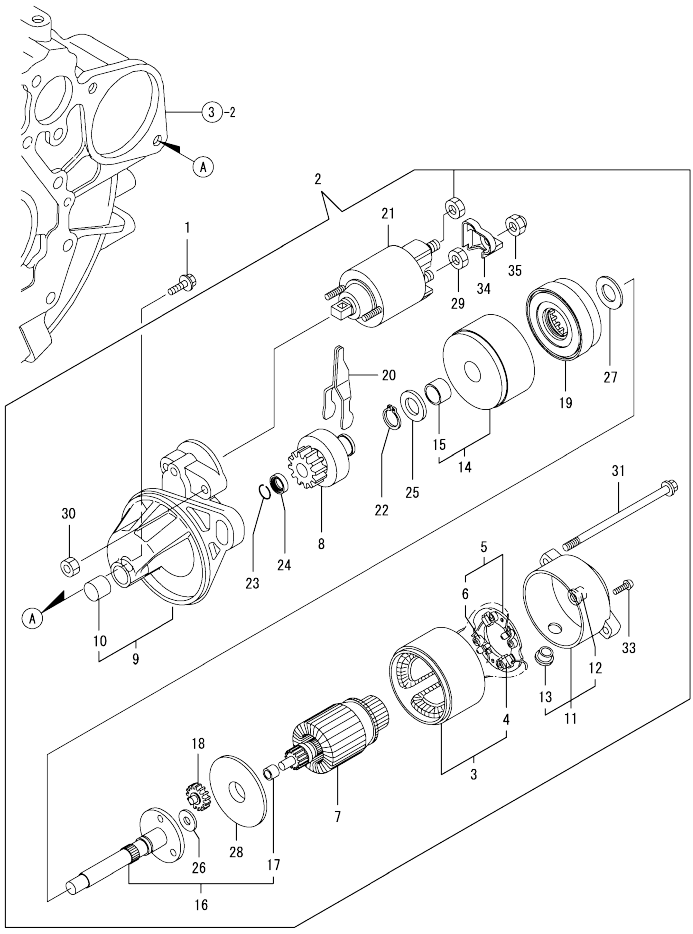
Fig.13. FUEL LINE



No.	Lev.	Parts No.	Description	Q'ty						I	R
				(A)	(B)	(C)	(D)	(E)	(F)		
1	1	119833-55620	FILTER ASSY, FUEL	1							
2	2	104200-55330	SPRING, VALVE	1							
3	2	119810-55340	LEVER	1							
4	2	121254-55510	COVER	1							
5	2	102103-55520	O-RING	1							
6	2	110250-55610	RING, RETAINING	1							
7	2	121250-55620	SPRING	1							
8	2	119810-55650	ELEMENT	1							
9	2	104200-55750	SCREW, M4	1							
10	2	24311-240100	O-RING, 1AP10A	1							
11	1	119717-55650	BRACKET, FILTER	1							
12	1	26014-080702	BOLT, M8X 70	1							
13	1	26106-080162	BOLT, M8X 16 PLATED	2							
14	1	103854-39140	BOLT, PIPE JOINT	1							
15	1	101304-59020	JOINT, PIPE 12	1							
16	1	129210-59080	PIPE ASSY, FUEL	1							
17	2	124766-59050	CLIP, HOSE 12	2							
19	1	129210-59170	PIPE ASSY, FUEL	1							
20	2	124766-59050	CLIP, HOSE 12	2							
21	2	105225-59511	PIPE, FUEL	1							
22	1	22190-120002	WASHER, SEAL 12	2							
23	1	129335-55700	SEPARATOR ASSY, WATER	1							
24	2	104200-55321	VALVE, TAPER	1							
25	2	104200-55330	SPRING, VALVE	1							
26	2	104200-55341	HANDLE	1							
27	2	124064-55510	COVER	1							
28	2	102103-55520	O-RING	1							
29	2	110250-55610	RING, RETAINING	1							
30	2	121257-55720	SPRING	1							
31	2	121257-55731	FLOAT	1							
33	2	101720-55750	PLUG, 6	2							
34	2	104200-55750	SCREW, M4	1							
35	2	171081-55910	SCREEN	1							
36	2	23418-060000	GASKET, 6X1.0	2							
37	2	24311-240100	O-RING, 1AP10A	1							

N:Old $\frac{100}{100}$ New, Q:Old $\frac{100}{100}$ New, R:Old $\frac{100}{100}$ New, S:Old $\frac{100}{100}$ New, W:Add, Z:Discontinued, F:Interchangeable by set, K:Qty Change
 Copyright (C) YANMAR CO., LTD. All Rights Reserved.

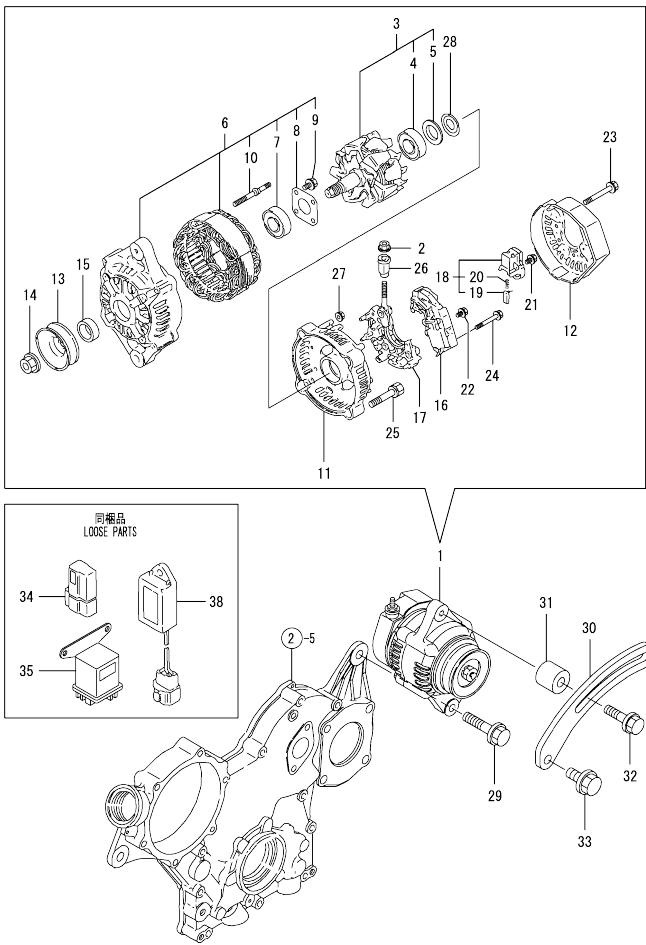
Fig.14. STARTING MOTOR



No.	Lev.	Parts No.	Description	Q'ty						I	R
				(A)	(B)	(C)	(D)	(E)	(F)		
1	1	26106-100252	BOLT, M10X 25 PLATED	2							
2	1	119717-77010	STARTER, P1.1	1							
3	2	X0281007750	YOKE ASSY	1							
4	3	X0280996180	STARTER KIT	2							
5	2	X0285105190	HOLDER ASSY	1							
6	3	X0285205030	SPRING	4							
7	2	X0282005991	ARMATURE ASSY	1							
8	2	X0283006960	CLUTCH ASSY	1							
9	2	X4284001590	HOUSING ASSY	1							
10	3	X9491050100	BEARING, NEEDLE	1							
11	2	X0285007030	FRAME ASSY	1							
12	3	X9491040990	BEARING	1							
13	3	X0280626010	COVER	1							
14	2	X0284105040	BEARING ASSY	1							
15	3	X9491034330	BEARING	1							
16	2	X0286105010	SHAFT ASSY	1							
17	3	X9491034320	BEARING	1							
18	2	X0286305010	GEAR	3							
19	2	X0286355010	GEAR	1							
20	2	X0287405140	LEVER	1							
21	2	X0534007800	SWITCH ASSY	1							
22	2	X9055715000	RING	1							
23	2	X9490721360	RING	1							
24	2	X0280210331	NUT	1							
25	2	X9490138110	WASHER	1							
26	2	X9490138090	WASHER	1							
27	2	X9490138100	WASHER	1							
28	2	X0284525010	PLATE	1							
29	2	X9490562360	NUT	1							
30	2	X9490560750	NUT	2							
31	2	X9490423420	BOLT, THROUGH	2							
33	2	X9490065670	SCREW, M4X6	2							
34	2	X0280335350	COVER, TERMINAL	1							
35	2	X1289510130	NUT	1							

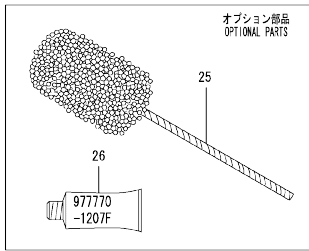
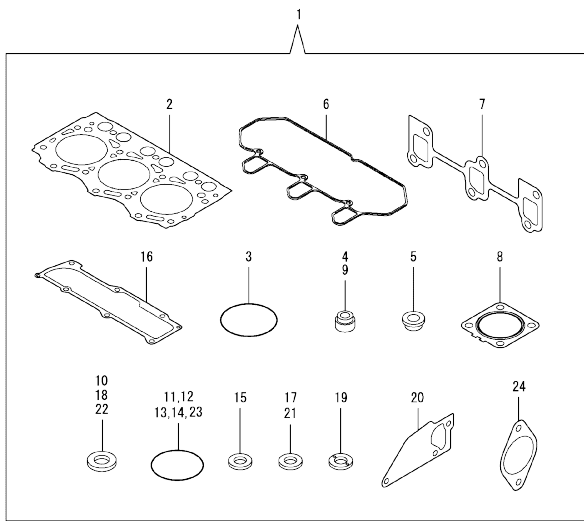
N:Old $\frac{100}{100}$ New, Q:Old $\frac{100}{100}$ New, R:Old $\frac{100}{100}$ New, S:Old $\frac{100}{100}$ New, W:Add, Z:Discontinued, F:Interchangeable by set, K:Qty Change
 Copyright (C) YANMAR CO., LTD. All Rights Reserved.

Fig.15. GENERATOR



No.	Lev.	Parts No.	Description	Q'ty						I	R
				(A)	(B)	(C)	(D)	(E)	(F)		
1	1	129423-77200	GENERATOR, 12V-40A	1							
2	2	X9490561001	NUT	1							
3	2	119620-77380	ROTOR ASSY	1							
4	3	123501-79240	BEARING, BALL	1							
5	3	119620-79250	COVER	1							
6	2	119620-77421	FRAME ASSY, DRIVE	1							
7	3	119620-79200	BEARING, BALL	1							
8	3	119620-79210	PLATE, RETAINER	1							
9	3	119620-79220	SCREW	4							
10	3	119620-79230	STUD	2							
11	2	119620-77440	FRAME ASSY	1							
12	2	129240-79300	COVER	1							
13	2	119620-77461	PULLEY	1							
14	2	119620-77471	NUT	1							
15	2	119620-77490	COLLAR	1							
16	2	129423-77710	REGULATOR ASSY	1							
17	2	119620-79260	HOLDER	1							
18	2	129052-79270	HOLDER, BRUSH	1							
19	3	119620-77480	BRUSH ASSY	2							
20	3	119620-79280	SPRING	2							
21	2	119620-79290	SCREW	6							
22	2	119620-79300	SCREW	1							
23	2	119620-79310	BOLT	3							
24	2	119620-79320	SCREW	2							
25	2	119620-79330	BOLT	2							
26	2	119620-79340	BUSH, INSULATION	1							
27	2	119620-79350	NUT	2							
28	2	119620-79360	WASHER, THRUST	1							
29	1	26106-100452	BOLT, M10X 45 PLATED	1							
30	1	119515-77330	ADJUSTER	1							
31	1	124732-77340	SPACER	1							
32	1	129972-77341	BOLT, ADJUSTER L=50	1							
33	1	26106-080202	BOLT, M8X 20 PLATED	1							
34	1	119643-66900	DIODE	1							
35	1	119650-77910	RELAY ASSY, GLOW	1							
36	1	129211-77920	TIMER	1							

Fig.16. GASKET SET



(A)=3TNV76-CCSF
(B)=
(C)=

(D)=
(E)=
(F)=

No.	Lev.	Parts No.	Description	Q'ty						I	R
				(A)	(B)	(C)	(D)	(E)	(F)		
1	1	719717-92850	GASKET SET	1							1
2	2	119717-01330	GASKET, HEAD	1							
3	2	121850-51960	O-RING	1							
4	2	119717-11340	SEAL, VALVE STEM	3							
5	2	129901-11450	PROTECTOR, NOZZLE	3							
6	2	119718-11310	GASKET, BONNET	1							
7	2	119717-13110	GASKET	1							
8	2	119515-13200	GASKET, SILENCER	1							
9	2	119717-11350	SEAL, VALVE STEM	3							
10	2	22190-080002	WASHER, SEAL 6	4							
11	2	24311-000320	O-RING, 1AP32.0	2							
12	2	119717-32060	O-RING, P15.0	1							
13	2	119624-32040	O-RING, P12.0	1							
14	2	119717-32050	O-RING, P17.0	3							
15	2	119600-11460	GASKET, NOZZLE	6							
16	2	119717-11331	GASKET	1							
17	2	124465-44950	GASKET, 16	2							
18	2	22190-120002	WASHER, SEAL 12	4							
19	2	129901-59560	GASKET	3							
20	2	119717-42020	GASKET, WATER PUMP	1							
21	2	23414-080000	GASKET, 8X1.0	1							
22	2	22190-160002	WASHER, SEAL 16	1							
23	2	24341-000240	O-RING, 1AS24.0	1							
24	2	119742-26080	GASKET	1							
25	1	129400-92420	HONE	1							1
26	1	977770-1207F	GASKET.LIQUID	1							1

Remarks
(1) OPTIONAL PART.

Parts No. Index

Parts No.	Fig. No.	Ref. No.	Parts No.	Fig. No.	Ref. No.	Parts No.	Fig. No.	Ref. No.	Parts No.	Fig. No.	Ref. No.
101304-59020	13	15	119620-79220	15	9	119717-11350	16	9	119717-51200	10	15
101720-55750	13	33	119620-79230	15	10	119717-11381	4	38	119717-51300	10	42
102103-55520	13	5	119620-79250	15	5	119717-11650	4	30	119717-51330	10	45
		28	119620-79260	15	17	119717-11800	4	22	119717-51420	10	50
103854-39140	13	14	119620-79280	15	20	119717-13110	5	2	119717-51480	10	89
104200-55321	13	24	119620-79290	15	21		16	7	119717-51490	10	90
104200-55330	13	2	119620-79300	15	22	119717-13600	5	3	119717-51500	10	63
		25	119620-79310	15	23	119717-14400	6	2	119717-51570	10	69
104200-55341	13	26	119620-79320	15	24	119717-14581	6	3	119717-51711	10	75
104200-55750	13	9	119620-79330	15	25	119717-21200	7	4	119717-51750	10	76
		34	119620-79340	15	26	119717-21650	7	11	119717-51761	10	77
105010-11490	4	5	119620-79350	15	27	119717-21700	7	1	119717-55650	13	11
105225-59511	12	34	119620-79360	15	28	119717-22080	7	14	119717-59510	12	35
		13	119621-21680	7	12	119717-22090	7	31	119717-61050	11	2
105311-01090	1	5	119623-01250	1	6	119717-22300	7	20	119717-61060	11	3
105425-01690	3	9	119624-32040	2	18	119717-22500	7	16	119717-61070	11	4
110250-55610	13	6		16	13	119717-22550	7	33	119717-61120	11	8
		29	119636-21590	7	8	119717-23000	7	22	119717-61130	11	9
114250-39450	8	11	119643-66900	15	34	119717-23200	7	25	119717-61140	11	10
118200-53010	12	2	119650-77910	15	35	119717-23601	7	26	119717-61150	11	11
118400-51370	10	47	119653-77950	11	133	119717-23611	7	29	119717-61200	11	71
119131-18320	5	5	119660-01911	2	17	119717-23910	7	28	119717-61400	11	14
119285-01990	1	8	119660-61300	11	75	119717-25050	6	9	119717-61500	11	30
119285-11990	4	13	119660-61901	11	65	119717-25101	6	10	119717-77010	14	2
119305-35151	8	4	119717-01330	1	27	119717-25911	6	13	119717-77800	4	57
119515-13200	5	7		16	2	119717-25930	6	16	119717-77820	4	58
		16	119717-01570	2	2	119717-32050	2	19	119718-11310	4	48
119515-53001	12	1	119717-01601	3	2		16	14		16	6
119515-53010	12	3	119717-01720	3	7	119717-32060	8	5	119718-13100	5	1
119515-61440	11	21	119717-01750	2	16		16	12	119740-01521	2	5
119515-77330	15	30	119717-01770	3	8	119717-32080	2	9	119740-01580	2	3
119527-61550	11	89	119717-01800	2	6	119717-32100	2	8	119742-01500	2	1
119540-59570	12	42	119717-02411	1	12	119717-32110	2	13	119742-26070	6	24
119600-11460	4	4	119717-02930	1	23	119717-32120	2	14	119742-26080	6	25
		16	119717-03031	4	39	119717-35080	8	6		16	24
119620-01750	3	4	119717-03070	4	40	119717-39210	8	12	119742-61100	11	5
119620-02020	1	9			41	119717-42002	9	1	119744-26000	6	20
119620-11280	4	29	119717-11101	4	15	119717-42020	9	13	119744-34820	8	2
119620-14200	6	1	119717-11110	4	16		16	20	119746-11740	4	6
119620-21941	7	13	119717-11131	4	17	119717-42031	9	4	119746-59810	12	20
119620-59700	12	46	119717-11190	4	19	119717-42041	9	3	119746-59820	12	24
119620-77380	15	3	119717-11200	4	24	119717-42320	9	11	119746-59830	12	28
119620-77421	15	6	119717-11240	4	25	119717-42350	9	17	119802-03100	4	42
119620-77440	15	11	119717-11260	4	28	119717-49800	9	23	119802-03110	4	43
119620-77461	15	13	119717-11320	4	49	119717-51030	10	5	119802-03121	4	44
119620-77471	15	14	119717-11331	4	50	119717-51060	10	6	119802-03131	4	45
119620-77480	15	19			16	119717-51070	10	7	119802-03141	4	46
119620-77490	15	15	119717-11340	4	20	119717-51100	10	9	119802-13620	5	4
119620-79200	15	7			16	119717-51150	6	17	119802-32130	2	15
119620-79210	15	8	119717-11350	4	21	119717-51190	10	14	119810-01200	1	26

Parts No. Index

Parts No.	Fig. No.	Ref. No.
119810-02941	1	34
119810-55340	13	3
119810-55650	13	8
119813-59950	12	47
119833-55620	13	1
119840-59570	12	45
119865-21600	7	10
119C10-42320	9	11 -1
119E10-42000	9	1 -1
121023-01551	2	31
121111-21501	7	7
121120-01620	3	3
121250-44901	9	27
121250-55620	13	7
121254-55510	13	4
121257-55720	13	30
121257-55731	13	31
121450-42450	9	26
121850-51960	2	20
	16	3
122710-51090	10	8
123501-79240	15	4
124060-01050	1	4
124064-55510	13	27
124066-59100	12	43
124085-02220	3	5
124160-01751	2	29
	4	37
124160-01910	1	7
124465-44950	9	28
		29
	16	17
124550-51350	10	46
124732-77340	15	31
124766-59050	12	33
	13	17
		20
129001-32320	2	11
129001-32330	2	12
129005-59830	8	13
129052-61390	11	13
129052-79270	15	18
129100-01580	3	1
	7	2
129100-35140	8	3
129100-51560	10	68
129100-51570	10	70
129100-52101	10	94
129100-61650	11	59
129150-11230	4	31

Parts No.	Fig. No.	Ref. No.
129150-11750	4	33
129150-25301	6	15
129150-59120	12	15
129150-59131	12	18
129155-51020	10	4
129155-51140	10	12
129155-51280	10	40
		41
	11	6
129155-51400	10	48
129155-51450	10	58
129155-51521	10	64
129155-51530	10	65
129155-51540	10	66
129155-51550	10	67
129155-51580	10	72
129155-51591	10	73
129155-51600	10	19
129155-51701	10	74
129155-52051	10	93
129155-61341	11	76
129155-61450	11	22
129155-61460	11	77
129155-61480	11	24
129156-61460	11	23
129209-61370	11	12
129209-61930	11	131
129209-61970	11	132
129210-59080	13	16
129210-59170	12	32
	13	19
129211-77920	15	38
129233-34810	8	1
129240-79300	15	12
129335-55700	13	23
129350-26490	6	22
129350-49530	9	22
129400-92420	16	25
129423-77200	15	1
129423-77710	15	16
129486-61540	11	49
129508-11180	4	18
129573-61700	11	122
129900-07900	4	1
129900-32130	2	10
129901-11450	4	3
	16	5
129901-53800	12	4
129901-59560	12	41
	16	19

Parts No.	Fig. No.	Ref. No.
129916-49740	9	12
129972-77341	15	32
158552-61700	11	60
158552-61710	11	64
158552-61900	11	78
158600-51170	10	13
158600-51270	10	39
158600-51410	10	49
158600-51420	10	51
158600-51442	10	52
158600-51570	10	71
158600-51790	10	78
158601-61700	11	123
171056-49120	9	25
171081-55910	13	35
171340-44740	9	19
171353-44760	9	20
174307-51700	11	31
22190-080002	8	14
	16	16
	16	10
22190-100002	11	79
22190-120002	11	80
	12	53
	13	22
	16	18
22190-160002	3	11
	10	79
	16	22
	10	80
22217-060000	6	18
22217-120000	4	34
22242-000120	7	21
22252-000220	11	66
22272-000030	10	81
22351-050010	4	23
22351-060012	11	81
22372-040000	7	5
22512-040120	4	51
22857-500100	4	52
	4	53
22857-500160	9	14
23414-080000	16	21
	11	134
23414-120016	13	36
23418-060000	8	15
23857-030000	4	14
23876-005000	2	7
23876-030000	11	82
23887-100002	10	82
24101-060034		

Parts No.	Fig. No.	Ref. No.
24101-063034	10	83
24104-060054	6	23
24311-000320	2	30
	4	54
	16	11
24311-240100	13	10
		37
24316-000150	10	84
24341-000070	11	67
24341-000240	2	32
	16	23
25132-003700	9	18
26014-080702	13	12
26022-050122	10	85
26022-060162	10	86
26106-050102	10	87
26106-060102	8	10
	11	68
		83
26106-060122	2	21
	6	8
26106-060142	11	84
26106-060162	2	22
		33
26106-060202	4	55
	11	85
26106-060352	6	14
26106-060402	2	23
		24
	9	21
26106-060452	11	86
26106-060602	2	25
26106-060652	2	26
26106-060752	4	56
26106-080122	3	12
	9	15
26106-080162	4	2
	6	26
	13	13
26106-080202	9	24
	15	33
26106-080302	3	13
26106-080352	2	27
26106-080402	4	36
26106-080452	3	14
26106-080502	3	15
	9	16
26106-100252	14	1
26106-100452	15	29
26206-100252	3	6

Parts No. Index

Parts No.	Fig. No.	Ref. No.
26306-080002	2	28
	5	6
26366-080002	11	69
26577-060122	9	9
26716-060002	10	88
26716-120002	6	19
26736-120002	11	87
26756-060002	11	70
		88
26979-050162	4	35
27241-120000	1	13
27241-250000	9	10
719717-01561	1	1
719717-02901	1	28
719717-02911	1	31
719717-51360	10	1
719717-92650	16	1
719740-01510	2	4
977770-1207F	16	26
X0280210331	14	24
X0280335350	14	34
X0280626010	14	13
X0280996180	14	4
X0281007750	14	3
X0282005991	14	7
X0283006960	14	8
X0284105040	14	14
X0284525010	14	28
X0285007030	14	11
X0285105190	14	5
X0285205030	14	6
X0286105010	14	16
X0286305010	14	18
X0286355010	14	19
X0287405140	14	20
X0534007800	14	21
X1289510130	14	35
X4284001590	14	9
X9055715000	14	22
X9490065670	14	33
X9490138090	14	26
X9490138100	14	27
X9490138110	14	25
X9490423420	14	31
X9490560750	14	30
X9490561001	15	2
X9490562360	14	29
X9490721360	14	23
X9491034320	14	17
X9491034330	14	15

Parts No.	Fig. No.	Ref. No.
X9491040990	14	12
X9491050100	14	10

Parts No.	Fig. No.	Ref. No.
-----------	----------	----------

Parts No.	Fig. No.	Ref. No.
-----------	----------	----------