

OCR10-M68500EN

PREFACE

1. This parts catalog is the 1st edition of 3TNV76-CAV for Ampac Ltd.

Pub.No. : 000Y00R6850

Published : March,2007

2. Model name

Engine model	Vehicle		Vehicle made by
	Products	Model name	
3TNV76-CAV	Vibration Compactor	P33-24Y	Ampac Ltd.

Directions for the Parts Catalog.

1. This Parts Catalog shows both standard and optional parts.
2. Parts may change without prior notice.
3. The following is an example of the Parts Catalog format.

OCF10-G21601 29. FUEL INJECTION PUMP(W/BOOST)

REF.	LEV.	PARTS NO.	DESCRIPTION	Q'TY						I	R
				(A)	(B)	(C)	(D)	(E)	(F)		
1	1	729595-51390	FUEL INJECTION PUMP	1	1	1	1	1	1		1
1-1	1	729595-51391	FUEL INJECTION PUMP	1	1	1	1	1	1	N	1
		(A=E00185) (B=E00200)									
3	2	26022-060162	SCREW M 6X 16	9	9	9	9	9			
3-1	2	26022-060162	SCREW M 6X 16	4	4	4	4	4		K	
		(A=E00156) (B=E00156) (C=E00156) (D=E00156) (E=E00156)									
4	2	129470-51040	CAMSHAFT	1	1	1	1	1	1		
5	2	122710-51050	BEARING, ROLLER	2	2	2	2	2			
6	2	129470-51060	RETAINER	1	1	1	1	1			

Remarks

(1) BOOST COMPEMSATOR TYPE. OPTIONAL PART, TO E00155,(4JH-DT, 4JH-DTZ

① Ref. No.

The Ref. No. listed may not be in accordance with the illustration Ref. No.

(Ex.) Illustration No.

List Ref No.

1 1 (Before change) → 1-1 (After change)

For interchangeable symbols N, R and K, illustrations for new parts may be abbreviated.

② Lev. (Level)

Level indication

The numbers below indicate the level of relativity towards the main part.

1 ---- Main parts (Assembly parts)

2 ---- Sub component included in " 1 ".

3 ---- Sub component included in " 2 ".

Note) Parts that are not for sale are partially illustrated but not listed.

③ Interchangeability Symbol

When a part change takes place, one of the following interchangeability symbols is indicated beside the part.

Symbol	Interchangeability	Contents note
N	Old $\begin{matrix} \leftarrow \text{Yes} \\ \text{No} \rightarrow \end{matrix}$ New	New Part is interchangeable for Old Part but Old Part is not interchangeable for New Part.
Q	Old $\begin{matrix} \leftarrow \text{No} \\ \text{Yes} \rightarrow \end{matrix}$ New	New Part is not interchangeable for Old Part but Old Part is interchangeable for New Part.
R	Old $\begin{matrix} \leftarrow \text{Yes} \\ \text{Yes} \rightarrow \end{matrix}$ New	New/ Old Parts are both interchangeable.
S	Old $\begin{matrix} \leftarrow \text{No} \\ \text{No} \rightarrow \end{matrix}$ New	New/ Old Parts are both not interchangeable.
W		Part newly added.
Z		Part discontinued.
F		Not interchangeable by a single part but interchangeable together with related parts.
K		Changes only for used parts quantities.

④ Effective Machine No.

When a part changes, the effective Machine No. will be indicated in the (A)-(F) column.

Product Symbol	Product No.	Product Symbol	Product No.
C	Clutch No. Compressor No.	F	Machine No. (Agricultural Equip.)
D	Drive No.	M	Machine No.
E	Engine No.		

Note 1) A date may follow the symbol. (Ex.) 1996.01

Note 2) "XXXXX" and "ZZZZZ" are for parts that could not be predicted or for engine models that could not be identified.

Note 3) (A=E00185) is the E (Engine Serial Number) for the column (A) model (in this case 4JH-DT) after the parts design change.

⑤ Remarks

Figures or alphabets (symbols) are entered in the remarks column.

The comments (remarks) on parts that are indicated at the bottom of the illustration are the same symbols as those stated above.

Contents

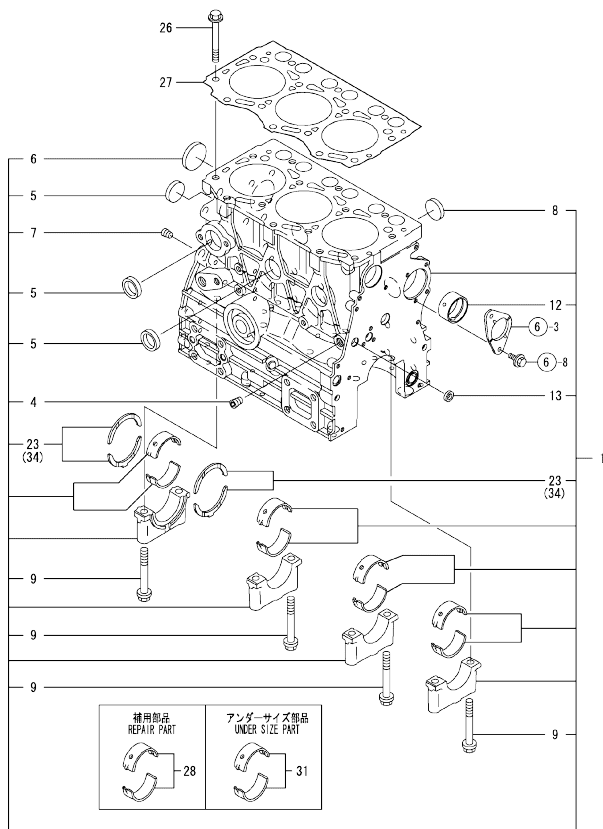
OCR10-M68500

Fig. No.	Fig. Name	Fig. No.	Fig. Name
ENGINE SECTION (3TNV76-CAV)			
1.	CYLINDER BLOCK		
2.	GEAR HOUSING		
3.	FLYWHEEL HOUSING & OIL SUMP		
4.	CYLINDER HEAD & BONNET		
5.	EXHAUST MANIFOLD		
6.	CAMSHAFT & DRIVING GEAR		
7.	CRANKSHAFT & PISTON		
8.	LUB.OIL SYSTEM		
9.	COOLING WATER SYSTEM		
10.	FUEL INJECTION PUMP		
11.	GOVERNOR		
12.	FUEL INJECTION VALVE		
13.	STARTING MOTOR		
14.	GENERATOR		
15.	GASKET SET		

Fig.1. CYLINDER BLOCK

(A)=3TNV76-CAV
(B)=
(C)=

(D)=
(E)=
(F)=



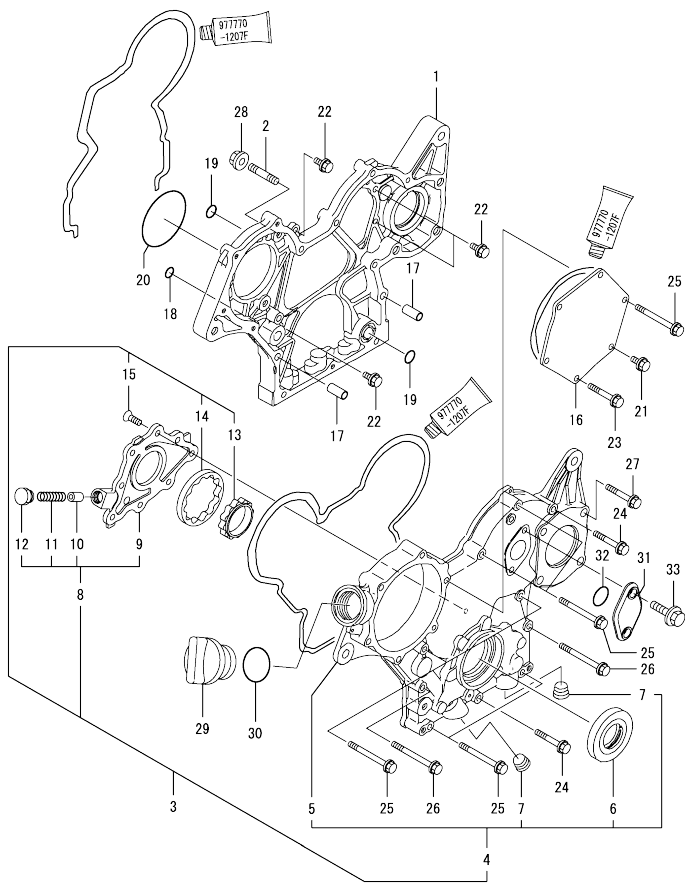
No.	Lev.	Parts No.	Description	Q'ty						I	R
				(A)	(B)	(C)	(D)	(E)	(F)		
1	1	719717-01561	BLOCK ASSY, CYLINDER	1							
4	2	124060-01050	PLUG, PT1/8	1							
5	2	105311-01090	PLUG, 30	4							
6	2	119623-01250	PLUG, 45	1							
7	2	124160-01910	PLUG, PT1/4	1							
8	2	119285-01990	PLUG, 25	3							
9	2	119620-02020	BOLT, METAL CAP	8							
12	2	119717-02411	BUSH, CAMSHAFT	1							
13	2	27241-120000	PLUG, 12	1							
23	2	119717-02930	BEARING, THRUST	2							
26	1	119810-01200	BOLT, HEAD	14							
27	1	119717-01330	GASKET, HEAD	1							
28	1	719717-02901	BEARING, MAIN	4							1
31	1	719717-02911	BEARING, 0.25 US	4							2
34	1	119810-02941	BEARING, THRUST 0.25	2							3

- Remarks
 (1) REPAIR PART.
 (2) UNDER-SIZED(U.S=0.25)PART.
 (3) OVER-SIZED(O.S=0.25)PART.

Fig.2. GEAR HOUSING

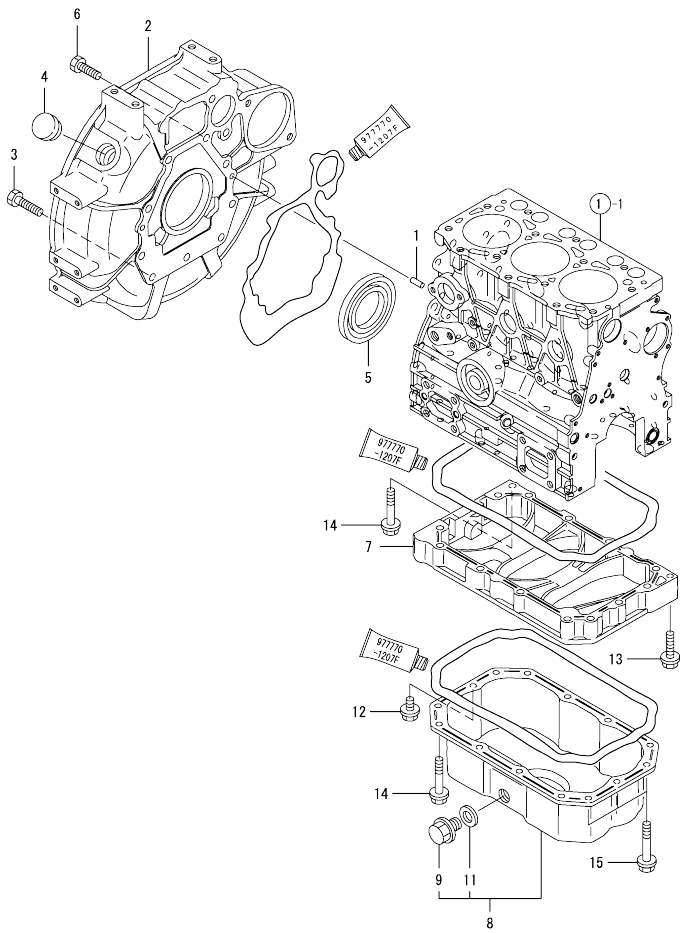
(A)=3TNV76-CAV
(B)=
(C)=

(D)=
(E)=
(F)=



No.	Lev.	Parts No.	Description	Q'ty						I	R
				(A)	(B)	(C)	(D)	(E)	(F)		
1	1	119742-01500	CASE, GEAR	1							
2	1	119717-01570	STUD	3							
3	1	119740-01580	COVER ASSY,GEAR CASE	1							
4	2	719740-01510	COVER ASSY,GEAR CASE	1							
5	3	119740-01521	COVER, GEAR CASE	1							
6	3	119717-01800	SEAL, OIL	1							
7	3	23876-030000	PLUG, R03	2							
8	2	119717-32100	COVER ASSY	1							
9	3	119717-32080	COVER	1							
10	3	129900-32130	VALVE, RELIEF	1							
11	3	129001-32320	SPRING	1							
12	3	129001-32330	PLUG	1							
13	2	119717-32110	ROTOR, INNER	1							
14	2	119717-32120	ROTOR, OUTER	1							
15	2	119802-32130	SCREW, M6X16	8							
16	1	119717-01750	COVER	1							
17	1	119660-01911	PIPE, KNOCK	4							
18	1	119624-32040	O-RING, P12.0	1							
19	1	119717-32050	O-RING, P17.0	3							
20	1	121850-51960	O-RING	1							
21	1	26106-060122	BOLT, M6X 12 PLATED	1							
22	1	26106-060162	BOLT, M6X 16 PLATED	4							
23	1	26106-060402	BOLT, M6X 40 PLATED	4							
24	1	26106-060402	BOLT, M6X 40 PLATED	2							
25	1	26106-060602	BOLT, M6X 60 PLATED	7							
26	1	26106-060652	BOLT, M6X 65 PLATED	2							
27	1	26106-080352	BOLT, M8X 35 PLATED	3							
28	1	26306-080002	NUT, M8	3							
29	1	124160-01751	COVER, FILLER	1							
30	1	24311-000320	O-RING, 1AP32.0	1							
31	1	121023-01551	COVER	1							
32	1	24341-000240	O-RING, 1AS24.0	1							
33	1	26106-060162	BOLT, M6X 16 PLATED	2							

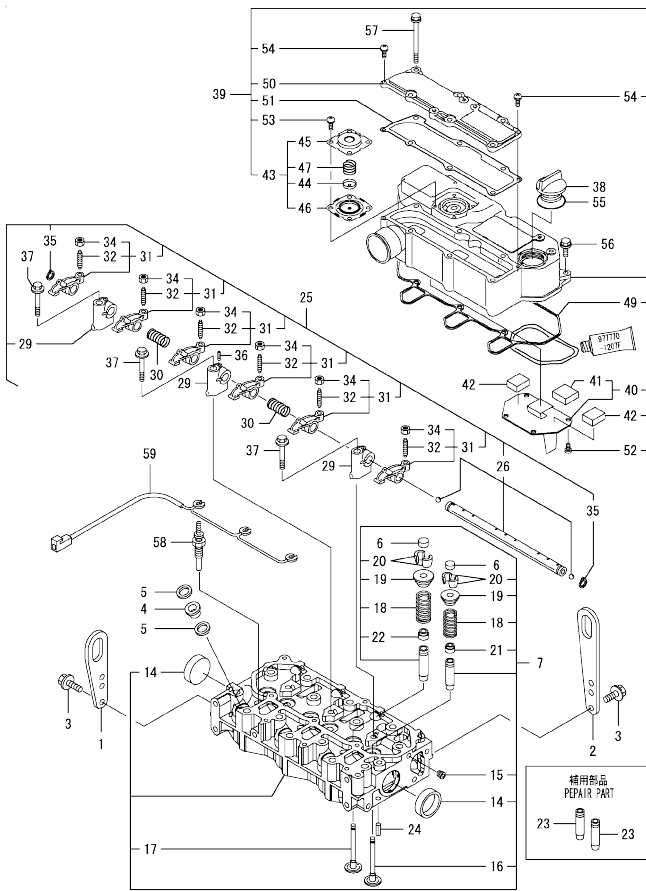
Fig.3. FLYWHEEL HOUSING & OIL SUMP



No.	Lev.	Parts No.	Description	Q'ty						I	R
				(A)	(B)	(C)	(D)	(E)	(F)		
1	1	129100-01580	PIN, M8X16	2							
2	1	119717-01601	HOUSING, FLYWHEEL	1							
3	1	121120-01620	BOLT, M10X28	3							
4	1	119620-01750	CAP	1							
5	1	124085-02220	SEAL, OIL	1							
6	1	26206-100252	BOLT, M10X 25 PLATED	8							
7	1	119717-01720	SPACER, OIL SUMP	1							
8	1	119717-01770	SUMP ASSY, OIL	1							
9	2	105425-01690	PLUG, 16	1							
11	2	22190-160002	WASHER, SEAL 16	1							
12	1	26106-080122	BOLT, M8X 12 PLATED	1							
13	1	26106-080302	BOLT, M8X 30 PLATED	1							
14	1	26106-080452	BOLT, M8X 45 PLATED	11							
15	1	26106-080502	BOLT, M8X 50 PLATED	3							

N:Old $\frac{100}{100}$ New, Q:Old $\frac{100}{100}$ New, R:Old $\frac{100}{100}$ New, S:Old $\frac{100}{100}$ New, W:Add, Z:Discontinued, F:Interchangeable by set, K:Q'ty Change
 Copyright (C) YANMAR CO., LTD. All Rights Reserved.

Fig.4. CYLINDER HEAD & BONNET



(A)=3TNV76-CAV
(B)=
(C)=

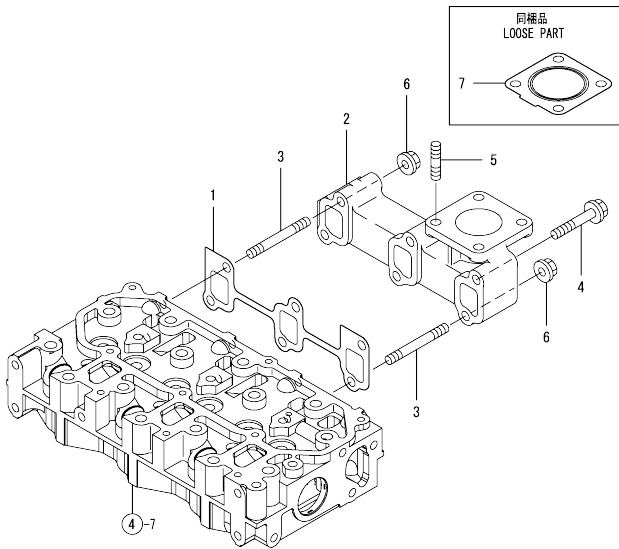
(D)=
(E)=
(F)=

No.	Lev.	Parts No.	Description	Q'ty						I	R
				(A)	(B)	(C)	(D)	(E)	(F)		
1	1	119226-07900	LIFTER	1							
2	1	129900-07900	LIFTER	1							
3	1	26106-080162	BOLT, M8X 16 PLATED	2							
4	1	129901-11450	PROTECTOR, NOZZLE	3							
5	1	119600-11460	GASKET, NOZZLE	6							
6	1	105010-11490	CAP, VALVE	6							
7	1	119746-11740	HEAD ASSY, CYLINDER	1							
14	2	119285-11990	PLUG, 35	2							
15	2	23876-005000	PLUG, R005	1							
16	2	119717-11101	VALVE, INTAKE	3							
17	2	119717-11110	VALVE, EXHAUST	3							
18	2	119717-11131	SPRING, VALVE	6							
19	2	129508-11180	RETAINER, SPRING	6							
20	2	119717-11190	COTTER	12							
21	2	119717-11340	SEAL, VALVE STEM	3							
22	2	119717-11350	SEAL, VALVE STEM	3							
23	1	119717-11800	GUIDE, VALVE	6							1
24	1	22351-060012	PIN, SPRING 6.0X12	2							
25	1	119717-11200	SUPPORT ASSY, ARM	1							
26	2	119717-11240	SHAFT ASSY, ROCKER	1							
29	2	119717-11260	SUPPORT, ROCKER ARM	3							
30	2	119620-11280	SPRING	2							
31	2	119717-11650	ARM, ROCKER	6							
32	3	129150-11230	SCREW, VALVE ADJUST	6							
34	3	129150-11750	NUT, M8	6							
35	2	22242-000120	RING, 12	2							
36	2	26979-050162	SCREW, M5X16	1							
37	1	26106-080402	BOLT, M8X 40 PLATED	3							
38	1	124160-01751	COVER, FILLER	1							
39	1	119717-11381	BONNET ASSY, HEAD	1							
40	2	119717-03031	PLATE	1							
41	3	119717-03070	BAFFLE, BREATHER	1							
42	2	119717-03070	BAFFLE, BREATHER	2							
43	2	119802-03100	DIAPHRAGM ASSY	1							
44	3	119802-03110	PLATE	1							
45	3	119802-03121	COVER, DIAPHRAGM	1							
46	3	119802-03131	DIAPHRAGM	1							
47	3	119802-03141	SPRING, DIAPHRAGM	1							
49	2	119718-11310	GASKET, BONNET	1							
50	2	119717-11320	COVER, BONNET	1							
51	2	119717-11331	GASKET	1							
52	2	22857-500100	SCREW, 5X10	4							
53	2	22857-500100	SCREW, 5X10	4							
54	2	22857-500160	SCREW, 5X16	2							
55	1	24311-000320	O-RING, 1AP32.0	1							
56	1	26106-060202	BOLT, M6X 20 PLATED	3							
57	1	26106-060752	BOLT, M6X 75 PLATED	6							
58	1	119717-77800	PLUG, GLOW	3							
59	1	119717-77820	CONNECTOR, GLOW PLUG	1							

Remarks
(1) REPAIR PART.

N:Old $\frac{100}{100}$ New, Q:Old $\frac{100}{100}$ New, R:Old $\frac{100}{100}$ New, S:Old $\frac{100}{100}$ New, W:Add, Z:Discontinued, F:Interchangeable by set, K:Q'ty Change
Copyright (C) YANMAR CO., LTD. All Rights Reserved.

Fig.5. EXHAUST MANIFOLD



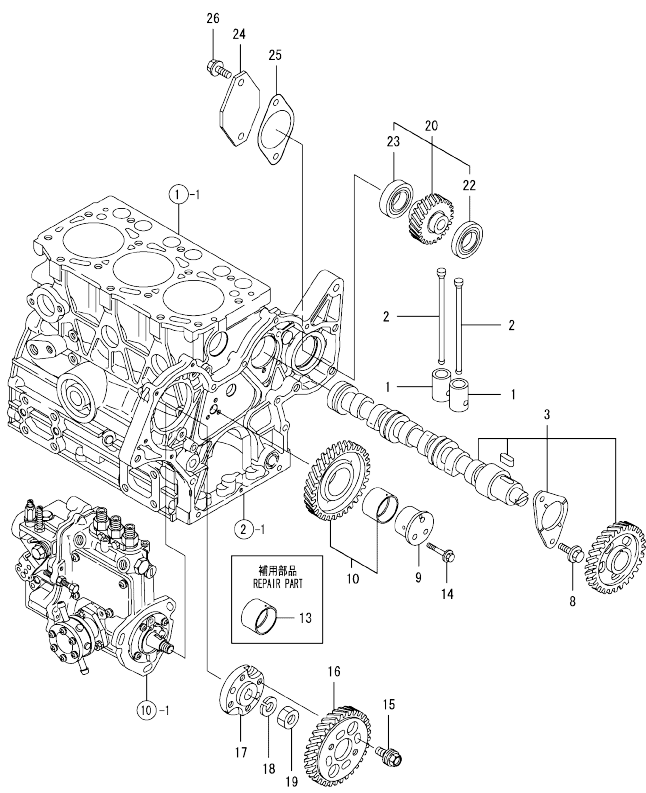
(A)=3TNV76-CAV
(B)=
(C)=

(D)=
(E)=
(F)=

No.	Lev.	Parts No.	Description	Q'ty					
				(A)	(B)	(C)	(D)	(E)	(F)
1	1	119717-13110	GASKET	1					
2	1	119734-13110	MANIFOLD, EXHAUST	1					
3	1	119717-13600	STUD, M8X50	2					
4	1	119802-13620	BOLT, M8X50	4					
5	1	119131-18320	STUD, M8X22	4					
6	1	26306-080002	NUT, M8	2					
7	1	119515-13200	GASKET, SILENCER	1					

OCR10-M68500 ENGINE SECTION (3TNV76-CAV)
 Fig.6. CAMSHAFT & DRIVING GEAR

OCR10-M68500 Fig.6



(A)=3TNV76-CAV
 (B)=
 (C)=

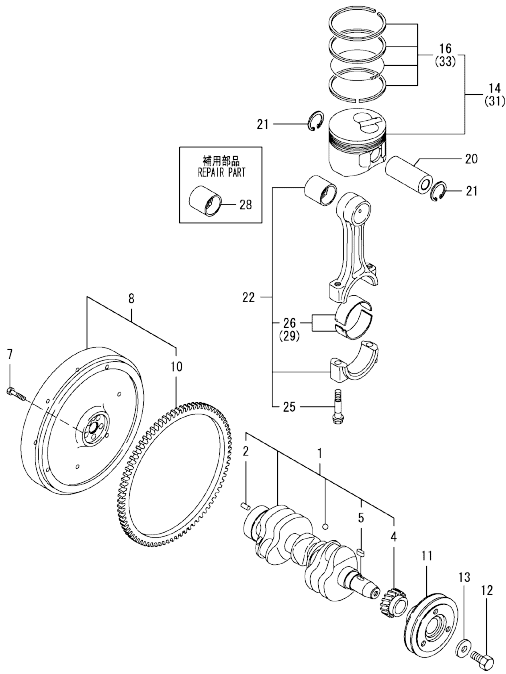
(D)=
 (E)=
 (F)=

No.	Lev.	Parts No.	Description	Q'ty						I	R
				(A)	(B)	(C)	(D)	(E)	(F)		
1	1	119620-14200	TAPPET	6							
2	1	119717-14400	ROD, PUSH	6							
3	1	119717-14581	CAMSHAFT ASSY	1							
8	1	26106-060122	BOLT, M6X 12 PLATED	2							
9	1	119717-25050	SHAFT, IDLE	1							
10	1	119717-25101	GEAR ASSY, IDLE	1							
13	1	119717-25911	BUSH, IDLE GEAR	1							1
14	1	26106-060352	BOLT, M6X 35 PLATED	3							
15	1	129150-25301	BOLT	4							
16	1	119717-25930	GEAR, PUMP	1							
17	1	119717-51150	FLANGE	1							
18	1	22217-120000	WASHER, SPRING 12	1							
19	1	26716-120002	NUT, M12	1							
20	1	119744-26000	GEAR ASSY, PUMP	1							
22	2	129350-26490	BEARING, BALL 16005	1							
23	2	24104-060054	BEARING, BALL 6005UU	1							
24	1	119742-26070	COVER	1							
25	1	119742-26080	GASKET	1							
26	1	26106-080162	BOLT, M8X 16 PLATED	2							

Remarks
 (1) REPAIR PART.

N:Old $\frac{100}{100}$ New, Q:Old $\frac{100}{100}$ New, R:Old $\frac{100}{100}$ New, S:Old $\frac{100}{100}$ New, W:Add, Z:Discontinued, F:Interchangeable by set, K:Q'ty Change
 Copyright (C) YANMAR CO., LTD. All Rights Reserved.

Fig.7. CRANKSHAFT & PISTON



(A)=3TNV76-CAV
(B)=
(C)=

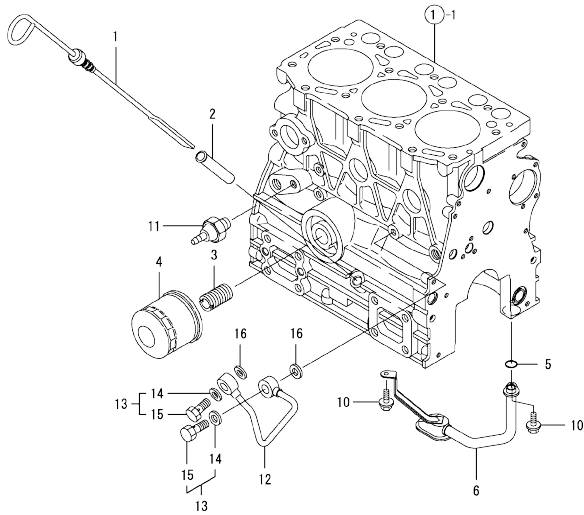
(D)=
(E)=
(F)=

No.	Lev.	Parts No.	Description	Q'ty						I	R
				(A)	(B)	(C)	(D)	(E)	(F)		
1	1	119717-21700	CRANKSHAFT ASSY	1							
2	2	129100-01580	PIN, M8X16	1							
4	2	119717-21200	GEAR, CRANKSHAFT	1							
5	2	22512-040120	KEY, 4X 12	1							
7	1	121111-21501	BOLT, FLYWHEEL	5							
8	1	119636-21590	FLYWHEEL ASSY	1							
10	2	119865-21600	GEAR, RING	1							
11	1	119717-21650	V-PULLEY	1							
12	1	119621-21680	BOLT, FLANGE 12X1.25	1							
13	1	119620-21941	WASHER	1							
14	1	119717-22080	PISTON ASSY	3							
16	2	119717-22500	RING SET, PISTON	3							
20	1	119717-22300	PIN, PISTON	3							
21	1	22252-000220	RING, 22	6							
22	1	119717-23000	ROD ASSY, CONNECTING	3							
25	2	119717-23200	BOLT, CONNECTING ROD	6							
26	2	119717-23601	BEARING, CRANK PIN	3							
28	1	119717-23910	BEARING, PISTON PIN	3							1
29	1	119717-23611	METAL ASSY, 0.25	3							2
31	1	119717-22090	PISTON ASSY, 0.25 OS	3							3
33	2	119717-22550	RING SET, 0.25 OS	3							3

Remarks

- (1) REPAIR PART.
- (2) UNDER-SIZED(U.S=0.25)PART.
- (3) OVER-SIZED(O.S=0.25)PART.

Fig.8. LUB.OIL SYSTEM



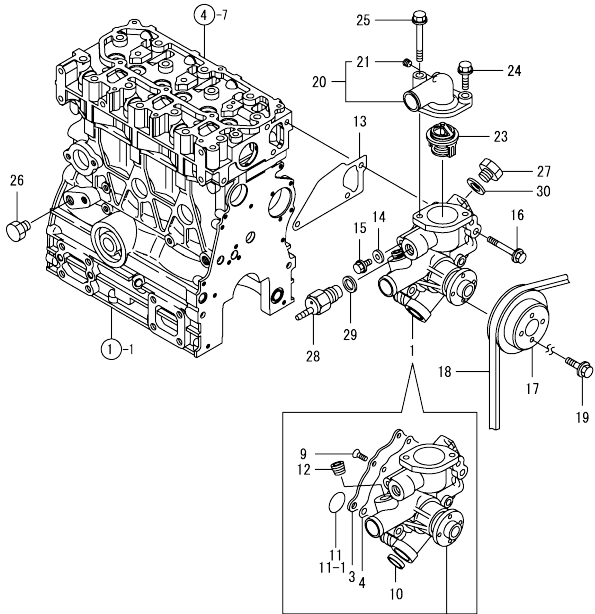
(A)=3TNV76-CAV
(B)=
(C)=

(D)=
(E)=
(F)=

No.	Lev.	Parts No.	Description	Q'ty						I	R
				(A)	(B)	(C)	(D)	(E)	(F)		
1	1	119717-34801	DIPSTICK, OIL	1							
2	1	121520-34810	GUIDE, DIPSTICK	1							
3	1	129100-35140	STUD	1							
4	1	119305-35151	FILTER ASSY, D68XL65	1							1
5	1	119717-32060	O-RING, P15.0	1							
6	1	119717-35080	PIPE ASSY, OIL INLET	1							
10	1	26106-060102	BOLT, M6X 10 PLATED	2							
11	1	114250-39450	SWITCH, 0.5KG	1							
12	1	119717-39210	PIPE, OIL	1							
13	1	129005-59830	BOLT ASSY, JOINT M8	2							
14	2	22190-080002	WASHER, SEAL 6	2							
15	2	23857-030000	BOLT, JOINT 3	2							
16	1	22190-080002	WASHER, SEAL 6	2							

Remarks
(1) REPAIR PART.

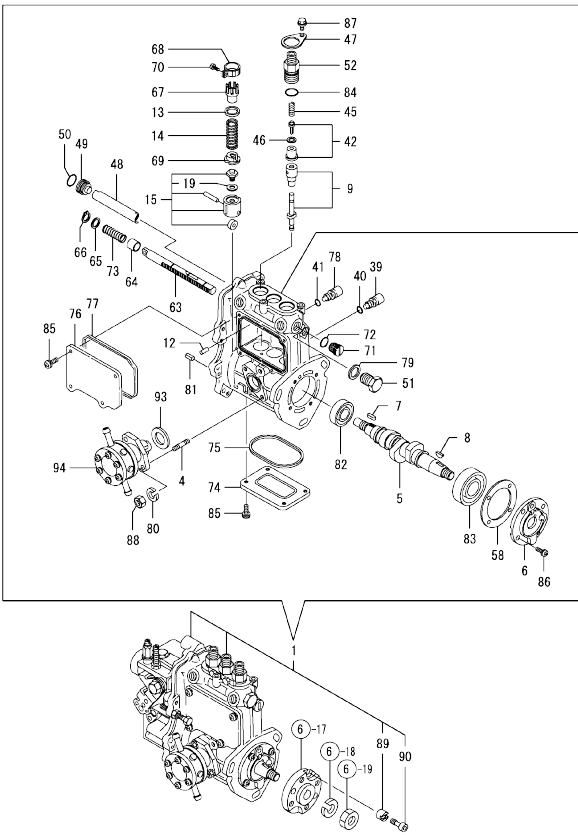
OCR10-M68500 ENGINE SECTION (3TNV76-CAV)
 Fig.9. COOLING WATER SYSTEM



No.	Lev.	Parts No.	Description	Q'ty						I	R
				(A)	(B)	(C)	(D)	(E)	(F)		
1	1	119717-42002	PUMP ASSY, WATER	1							
1-1	1	119E10-42000 (A=EK4613)	PUMP ASSY, WATER	1							N
3	2	119717-42041	COVER	1							
4	2	119717-42031	GASKET	1							
9	2	26577-060122	SCREW, M6X12	4							
10	2	27241-250000	PLUG, 25	1							
11	2	119717-42320	O-RING, P26	1							
11-1	2	119C10-42320	O-RING, 2028	1							S
12	2	129916-49740 (A=EK4613)	PLUG, R3/8	1							
13	1	119717-42020	GASKET, WATER PUMP	1							
14	1	23414-080000	GASKET, 8X1.0	1							
15	1	26106-080122	BOLT, M8X 12 PLATED	1							
16	1	26106-080502	BOLT, M8X 50 PLATED	3							
17	1	119717-42350	V-PULLEY, D=100	1							
18	1	25132-003700	V-BELT, A37	1							
19	1	26106-080122	BOLT, M8X 12 PLATED	4							
20	1	119609-49520	COVER ASSY	1							
21	2	119285-01731	PLUG, NPT1/8	1							
23	1	119717-49800	THERMOSTAT, 71C	1							
24	1	26106-080252	BOLT, M8X 25 PLATED	1							
25	1	26106-080652	BOLT, M8X 65 PLATED	1							
26	1	171056-49120	PLUG, DRAIN R1/4	1							
27	1	121450-42450	PLUG, M16	1							
28	1	121250-44901	SWITCH, THERMO 110	1							
29	1	124465-44950	GASKET, 16	1							
30	1	124465-44950	GASKET, 16	1							

N:Old $\frac{New}{Old}$ New, Q:Old $\frac{New}{Old}$ New, R:Old $\frac{New}{Old}$ New, S:Old $\frac{New}{Old}$ New, W:Add, Z:Discontinued, F:Interchangeable by set, K:Qty Change
 Copyright (C) YANMAR CO., LTD. All Rights Reserved.

Fig.10. FUEL INJECTION PUMP

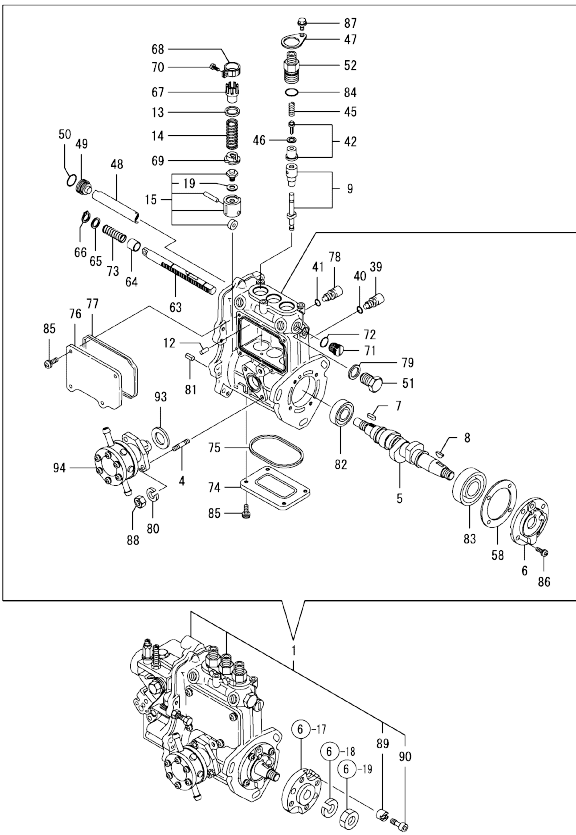


Remarks
 (1) GOVERNOR ASSY(FIG.11) IS
 INCORPORATED IN THIS FOP.CMP
 (REF.NO.1).

No.	Lev.	Parts No.	Description	Q'ty						I	R	
				(A)	(B)	(C)	(D)	(E)	(F)			
1	1	719717-51360	PUMP ASSY, INJECTION	1							1	
4	2	129155-51020	STUD	2								
5	2	119717-51030	CAMSHAFT	1								
6	2	119717-51060	SUPPORT, CAMSHAFT	1								
7	2	119717-51070	KEY	1								
8	2	122710-51090	KEY	1								
9	2	119717-51100	PLUNGER ASSY	3								
12	2	129155-51140	PIN	3								
13	2	158600-51170	RETAINER, SPRING	3								
14	2	119717-51190	SPRING, PLUNGER	3								
15	2	119717-51200	TAPPET ASSY	3								
19	3	129155-51600	SHIM SET, ADJUSTING	3								
39	2	158600-51270	STOPPER, TAPPET	3								
40	2	129155-51280	O-RING, S6	3								
41	2	129155-51280	O-RING, S6	1								
42	2	119717-51300	VALVE ASSY, DELIVERY	3								
45	2	119717-51330	SPRING, DELIVERY	3								
46	2	124550-51350	GASKET, DELIVERY	3								
47	2	118400-51370	LOCKING	3								
48	2	129155-51400	DEFLECTOR	1								
49	2	158600-51410	PLUG, DEFLECTOR	1								
50	2	119717-51420	O-RING	1								
51	2	158600-51420	PLUG, DEFLECTOR	1								
52	2	158600-51442	VALVE ASSY, DELIVERY	3								
58	2	129155-51450	SHIM SET, ADJUSTING	1								
63	2	119717-51500	RACK, CONTROL	1								
64	2	129155-51521	BUSH, RACK	1								
65	2	129155-51530	SPACER	1								
66	2	129155-51540	CIRCLIP	1								
67	2	129155-51550	PINION, CONTROL	3								
68	2	129100-51560	PINION	3								
69	2	119717-51570	RETAINER, SPRING	3								
70	2	129100-51570	SCREW	3								
71	2	158600-51570	PLUG	1								
72	2	129155-51580	O-RING	1								
73	2	129155-51591	SPRING, RACK	1								
74	2	129155-51701	COVER	1								
75	2	119717-51711	GASKET	1								
76	2	119717-51750	COVER	1								
77	2	119717-51761	GASKET	1								
78	2	158600-51790	STOOPER, RACK	1								
79	2	22190-160002	WASHER, SEAL 16	1								
80	2	22217-060000	WASHER, SPRING 6	2								
81	2	22351-050010	PIN, SPRING 5.0X10	2								
82	2	24101-060034	BEARING, BALL 6003	1								
83	2	24101-063034	BEARING, BALL 6303	1								
84	2	24316-000150	O-RING, 4DP15.0	3								
85	2	26022-050122	SCREW, M5X12	8								
86	2	26022-060162	SCREW, M6X16	4								
87	2	26106-050102	BOLT, M5X 10 PLATED	3								
88	2	26716-060002	NUT, M6	2								

N:Old $\frac{New}{Old}$ New, Q:Old $\frac{New}{Old}$ New, R:Old $\frac{New}{Old}$ New, S:Old $\frac{New}{Old}$ New, W:Add, Z:Discontinued, F:Interchangeable by set, K:Qty Change
 ++ CONTINUE ++
 Copyright (C) YANMAR CO., LTD. All Rights Reserved.

Fig.10. FUEL INJECTION PUMP



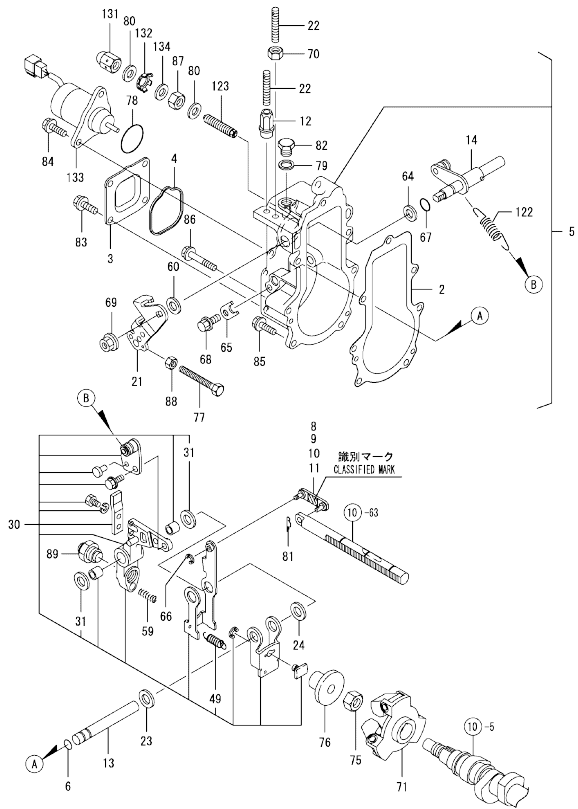
(A)=3TNV76-CAV
(B)=
(C)=

(D)=
(E)=
(F)=

No.	Lev.	Parts No.	Description	Q'ty						I	R
				(A)	(B)	(C)	(D)	(E)	(F)		
89	2	119717-51480	COLLAR	1							
90	2	119717-51490	BOLT	1							
93	2	129155-52051	GASKET	1							
94	2	129100-52101	PUMP ASSY, FUEL FEED	1							

Remarks
(1) GOVERNOR ASSY(FIG.11) IS
INCORPORATED IN THIS FOP.CMP
(REF.NO.1).

Fig.11. GOVERNOR

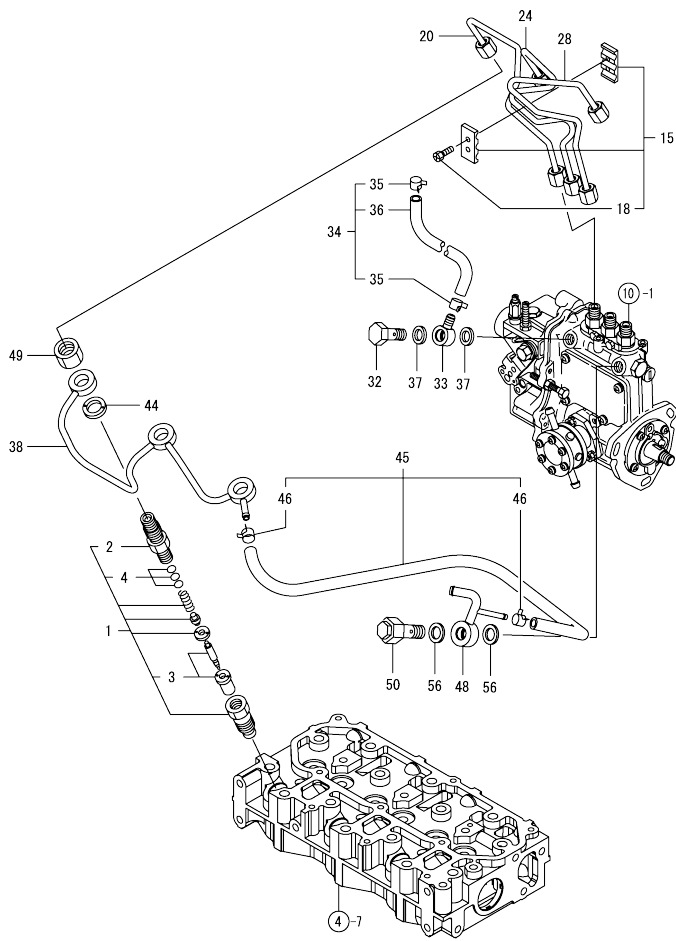


Remarks
 * THIS FIGURE(GOVERNOR ASSY)IS INCORPORATED IN THE FUEL INJECTION PUMP ASSY(FIG.10).
 (1) SELECTIVE PARTS:CERTAIN THE CLASSIFICATION MARK THEN PLACE YOUR ORDER.(REF.TO.ILLUSTRATION).

No.	Lev.	Parts No.	Description	Q'ty						I	R
				(A)	(B)	(C)	(D)	(E)	(F)		
2	2	119717-61050	GASKET	1							
3	2	119717-61060	COVER, GOVERNOR CASE	1							
4	2	119717-61070	GASKET	1							
5	2	119742-61100	CASE ASSY, GOVERNOR	1							
6	3	129155-61280	O-RING, S6	1							
8	3	119717-61120	LINK, MARK :3	1							1
9	3	119717-61130	LINK, MARK 98	1							1
10	3	119717-61140	LINK, MARK 88	1							1
11	3	119717-61150	LINK, MARK 03	1							1
12	3	129209-61370	NUT, M6	1							
13	3	129052-61390	SHAFT	1							
14	3	119717-61400	SHAFT ASSY	1							
21	3	119515-61440	LEVER, CONTROL	1							
22	3	129155-61450	BOLT, LIMITER	2							
23	3	129156-61460	SHIM, T=0.6	1							
24	3	129155-61480	SPACER ASSY	1							
30	3	119717-61500	LEVER ASSY, GOVERNOR	1							
31	4	174307-51700	SHIM SET	2							
49	4	129486-61540	SPRING, SET	1							
59	3	129100-61650	SPRING, CONTROLLER	1							
60	3	158552-61700	SHIM SET	1							
64	3	158552-61710	SHIM, T=1.0	1							
65	3	119660-61901	RETAINER, SHAFT	1							
66	3	22272-000030	RING, E- 3	1							
67	3	24341-000070	O-RING, 1AS7.0	1							
68	3	26106-060102	BOLT, M6X 10 PLATED	1							
69	3	26366-080002	NUT, M8	1							
70	3	26756-060002	NUT, LOCK M6	1							
71	2	119717-61200	WEIGHT ASSY,GOVERNOR	1							
75	2	119660-61300	NUT	1							
76	2	129155-61341	SLEEVE	1							
77	2	129155-61460	BOLT, IDLE	1							
78	2	158552-61900	O-RING	1							
79	2	22190-100002	WASHER, SEAL 10	1							
80	2	22190-120002	WASHER, SEAL 12	2							
81	2	22372-040000	PIN, SNAP 4	1							
82	2	23887-100002	PLUG, 10	1							
83	2	26106-060102	BOLT, M6X 10 PLATED	4							
84	2	26106-060142	BOLT, M6X 14 PLATED	2							
85	2	26106-060202	BOLT, M6X 20 PLATED	4							
86	2	26106-060452	BOLT, M6X 45 PLATED	3							
87	2	26736-120002	NUT, M12	1							
88	2	26756-060002	NUT, LOCK M6	1							
89	2	119527-61550	ANGLEICH ASSY	1							
122	2	129573-61700	SPRING, GOVERNOR	1							
123	2	158601-61700	LIMITER ASSY, FUEL	1							
131	2	129209-61930	NUT, CAP	1							
132	2	129209-61970	PLATE	1							
133	2	119653-77950	SOLENOID, STOP	1							
134	2	23414-120016	GASKET, 12X1.0	1							

N:Old $\frac{100}{100}$ New, Q:Old $\frac{100}{100}$ New, R:Old $\frac{100}{100}$ New, S:Old $\frac{100}{100}$ New, W:Add, Z:Discontinued, F:Interchangeable by set, K:Q'ty Change
 Copyright (C) YANMAR CO., LTD. All Rights Reserved.

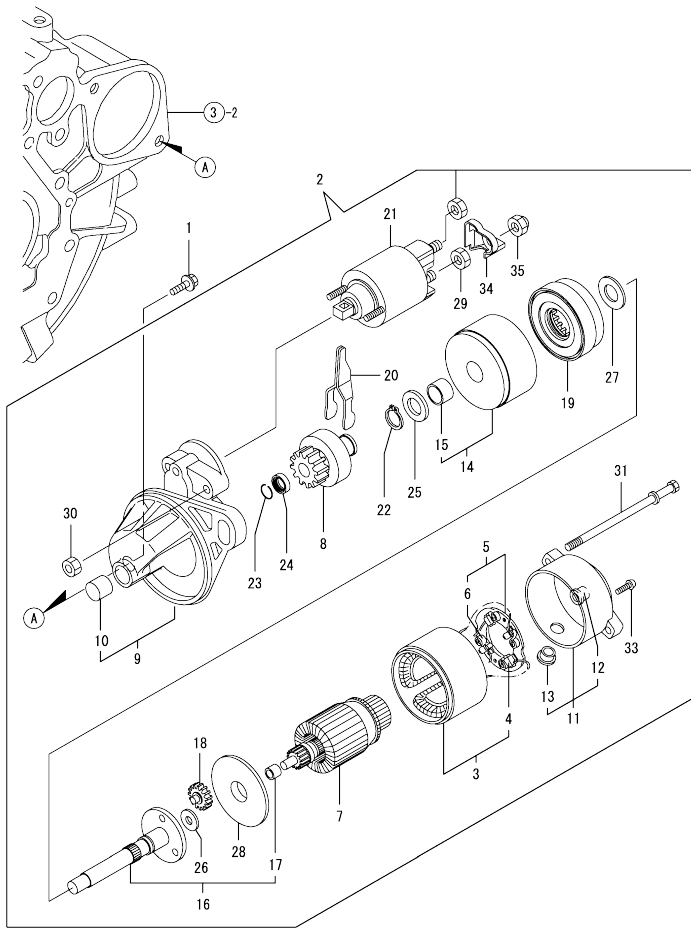
Fig.12. FUEL INJECTION VALVE



No.	Lev.	Parts No.	Description	Q'ty						I	R
				(A)	(B)	(C)	(D)	(E)	(F)		
1	1	119515-53001	VALVE ASSY,INJECTION	3							
2	2	118200-53010	HOLDER, NOZZLE	3							
3	2	119515-53010	VALVE ASSY,INJECTION	3							
4	2	129901-53800	SHIM SET, ADJUSTING	3							
15	1	129150-59120	RETAINER, PIPE	1							
18	2	129150-59131	BOLT, M4X14	2							
20	1	119746-59810	PIPE ASSY, INJECTION	1							
24	1	119746-59820	PIPE ASSY, INJECTION	1							
28	1	119746-59830	PIPE ASSY, INJECTION	1							
32	1	103854-39140	BOLT, PIPE JOINT	1							
33	1	101304-59020	JOINT, PIPE 12	1							
34	1	119860-59020	PIPE ASSY, FUEL	1							
35	2	124766-59050	CLIP, HOSE 12	2							
36	2	105110-59560	PIPE, FUEL	1							
37	1	22190-120002	WASHER, SEAL 12	2							
38	1	119717-59510	PIPE ASSY, RETURN	1							
44	1	129901-59560	GASKET	3							
45	1	119540-59570	PIPE ASSY, RETURN	1							
46	2	124066-59100	CLIP, HOSE 8	2							
48	1	119515-59581	JOINT, OVER FLOW	1							
49	1	119620-59700	NUT, NOZZLE	3							
50	1	119813-59950	VALVE ASSY, CHECK	1							
56	1	22190-120002	WASHER, SEAL 12	2							

N:Old $\frac{New}{Old}$ New, Q:Old $\frac{New}{Old}$ New, R:Old $\frac{New}{Old}$ New, S:Old $\frac{New}{Old}$ New, W:Add, Z:Discontinued, F:Interchangeable by set, K:Q'ty Change
 Copyright (C) YANMAR CO., LTD. All Rights Reserved.

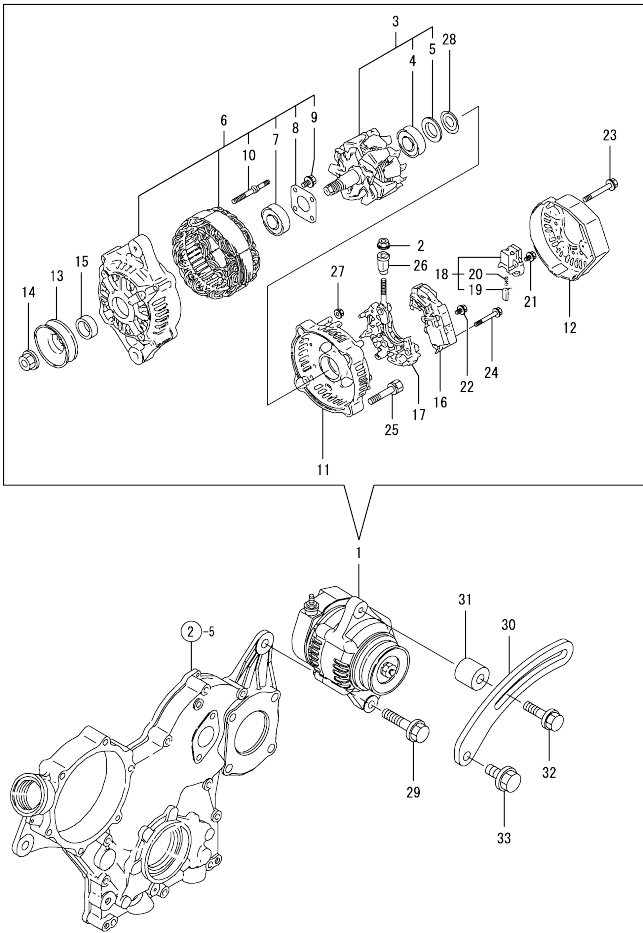
Fig.13. STARTING MOTOR



No.	Lev.	Parts No.	Description	Q'ty						I	R		
				(A)	(B)	(C)	(D)	(E)	(F)				
1	1	26106-100252	BOLT, M10X 25 PLATED										
2	1	119717-77010	STARTER, P1.1										
3	2	X0281007750	YOKE ASSY										
4	3	X0280996180	STARTER KIT										
5	2	X0285105190	HOLDER ASSY										
6	3	X0285205030	SPRING										
7	2	X0282005991	ARMATURE ASSY										
8	2	X0283006960	CLUTCH ASSY										
9	2	X4284001590	HOUSING ASSY										
10	3	X9491050100	BEARING, NEEDLE										
11	2	X0285007030	FRAME ASSY										
12	3	X9491040990	BEARING										
13	3	X0280626010	COVER										
14	2	X0284105040	BEARING ASSY										
15	3	X9491034330	BEARING										
16	2	X0286105010	SHAFT ASSY										
17	3	X9491034320	BEARING										
18	2	X0286305010	GEAR										
19	2	X0286355010	GEAR										
20	2	X0287405140	LEVER										
21	2	X0534007800	SWITCH ASSY										
22	2	X9055715000	RING										
23	2	X9490721360	RING										
24	2	X0280210331	NUT										
25	2	X9490138110	WASHER										
26	2	X9490138090	WASHER										
27	2	X9490138100	WASHER										
28	2	X0284525010	PLATE										
29	2	X9490562360	NUT										
30	2	X9490560750	NUT										
31	2	X9490423420	BOLT, THROUGH										
33	2	X9490065670	SCREW, M4X6										
34	2	X0280335350	COVER, TERMINAL										
35	2	X1289510130	NUT										

N:Old $\frac{New}{Old}$ New, Q:Old $\frac{New}{Old}$ New, R:Old $\frac{New}{Old}$ New, S:Old $\frac{New}{Old}$ New, W:Add, Z:Discontinued, F:Interchangeable by set, K:Qty Change
 Copyright (C) YANMAR CO., LTD. All Rights Reserved.

Fig.14. GENERATOR



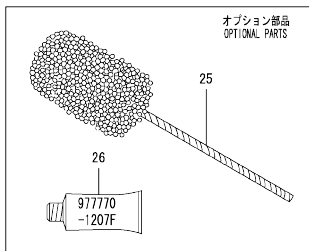
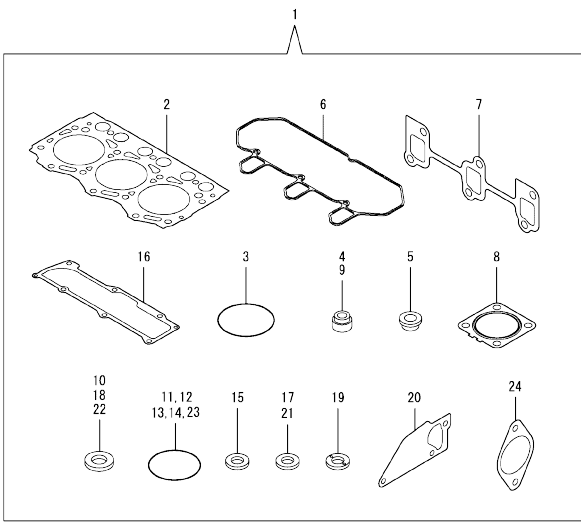
(A)=3TNV76-CAV
(B)=
(C)=

(D)=
(E)=
(F)=

No.	Lev.	Parts No.	Description	Q'ty						I	R
				(A)	(B)	(C)	(D)	(E)	(F)		
1	1	129423-77200	GENERATOR, 12V-40A	1							
2	2	X9490561001	NUT	1							
3	2	119620-77380	ROTOR ASSY	1							
4	3	123501-79240	BEARING, BALL	1							
5	3	119620-79250	COVER	1							
6	2	119620-77421	FRAME ASSY, DRIVE	1							
7	3	119620-79200	BEARING, BALL	1							
8	3	119620-79210	PLATE, RETAINER	1							
9	3	119620-79220	SCREW	4							
10	3	119620-79230	STUD	2							
11	2	119620-77440	FRAME ASSY	1							
12	2	129240-79300	COVER	1							
13	2	119620-77461	PULLEY	1							
14	2	119620-77471	NUT	1							
15	2	119620-77490	COLLAR	1							
16	2	129423-77710	REGULATOR ASSY	1							
17	2	119620-79260	HOLDER	1							
18	2	129052-79270	HOLDER, BRUSH	1							
19	3	119620-77480	BRUSH ASSY	2							
20	3	119620-79280	SPRING	2							
21	2	119620-79290	SCREW	6							
22	2	119620-79300	SCREW	1							
23	2	119620-79310	BOLT	3							
24	2	119620-79320	SCREW	2							
25	2	119620-79330	BOLT	2							
26	2	119620-79340	BUSH, INSULATION	1							
27	2	119620-79350	NUT	2							
28	2	119620-79360	WASHER, THRUST	1							
29	1	26106-100452	BOLT, M10X 45 PLATED	1							
30	1	119515-77330	ADJUSTER	1							
31	1	124732-77340	SPACER	1							
32	1	129972-77341	BOLT, ADJUSTER L=50	1							
33	1	26106-080202	BOLT, M8X 20 PLATED	1							

N:Old $\frac{New}{Old}$ New, Q:Old $\frac{New}{Old}$ New, R:Old $\frac{New}{Old}$ New, S:Old $\frac{New}{Old}$ New, W:Add, Z:Discontinued, F:Interchangeable by set, K:Q'ty Change
Copyright (C) YANMAR CO., LTD. All Rights Reserved.

Fig.15. GASKET SET



Remarks
(1) OPTIONAL PART.

No.	Lev.	Parts No.	Description	Q'ty						I	R	
				(A)	(B)	(C)	(D)	(E)	(F)			
1	1	719717-92850	GASKET SET	1							1	
2	2	119717-01330	GASKET, HEAD	1								
3	2	121850-51960	O-RING	1								
4	2	119717-11340	SEAL, VALVE STEM	3								
5	2	129901-11450	PROTECTOR, NOZZLE	3								
6	2	119718-11310	GASKET, BONNET	1								
7	2	119717-13110	GASKET	1								
8	2	119515-13200	GASKET, SILENCER	1								
9	2	119717-11350	SEAL, VALVE STEM	3								
10	2	22190-080002	WASHER, SEAL 6	4								
11	2	24311-000320	O-RING, 1AP32.0	2								
12	2	119717-32060	O-RING, P15.0	1								
13	2	119624-32040	O-RING, P12.0	1								
14	2	119717-32050	O-RING, P17.0	3								
15	2	119600-11460	GASKET, NOZZLE	6								
16	2	119717-11331	GASKET	1								
17	2	124465-44950	GASKET, 16	2								
18	2	22190-120002	WASHER, SEAL 12	4								
19	2	129901-59560	GASKET	3								
20	2	119717-42020	GASKET, WATER PUMP	1								
21	2	23414-080000	GASKET, 8X1.0	1								
22	2	22190-160002	WASHER, SEAL 16	1								
23	2	24341-000240	O-RING, 1AS24.0	1								
24	2	119742-26080	GASKET	1								
25	1	129400-92420	HONE	1								1
26	1	977770-1207F	GASKET, LIQUID	1								1

Parts No. Index

Parts No.	Fig. No.	Ref. No.
101304-59020	12	33
103854-39140	12	32
105010-11490	4	6
105110-59560	12	36
105311-01090	1	5
105425-01690	3	9
114250-39450	8	11
118200-53010	12	2
118400-51370	10	47
119131-18320	5	5
119226-07900	4	1
119285-01731	9	21
119285-01990	1	8
119285-11990	4	14
119305-35151	8	4
119515-13200	5	7
	15	8
119515-53001	12	1
119515-53010	12	3
119515-59581	12	48
119515-61440	11	21
119515-77330	14	30
119527-61550	11	89
119540-59570	12	45
119600-11460	4	5
	15	15
119609-49520	9	20
119620-01750	3	4
119620-02020	1	9
119620-11280	4	30
119620-14200	6	1
119620-21941	7	13
119620-59700	12	49
119620-77380	14	3
119620-77421	14	6
119620-77440	14	11
119620-77461	14	13
119620-77471	14	14
119620-77480	14	19
119620-77490	14	15
119620-79200	14	7
119620-79210	14	8
119620-79220	14	9
119620-79230	14	10
119620-79250	14	5
119620-79260	14	17
119620-79280	14	20
119620-79290	14	21
119620-79300	14	22
119620-79310	14	23

Parts No.	Fig. No.	Ref. No.
119620-79320	14	24
119620-79330	14	25
119620-79340	14	26
119620-79350	14	27
119620-79360	14	28
119621-21680	7	12
119623-01250	1	6
119624-32040	2	18
	15	13
119636-21590	7	8
119653-77950	11	133
119660-01911	2	17
119660-61300	11	75
119660-61901	11	65
119717-01330	1	27
	15	2
119717-01570	2	2
119717-01601	3	2
119717-01720	3	7
119717-01750	2	16
119717-01770	3	8
119717-01800	2	6
119717-02411	1	12
119717-02930	1	23
119717-03031	4	40
119717-03070	4	41
	4	42
119717-11101	4	16
119717-11110	4	17
119717-11131	4	18
119717-11190	4	20
119717-11200	4	25
119717-11240	4	26
119717-11260	4	29
119717-11320	4	50
119717-11331	4	51
	15	16
119717-11340	4	21
	15	4
119717-11350	4	22
	15	9
119717-11381	4	39
119717-11650	4	31
119717-11800	4	23
119717-13110	5	1
	15	7
119717-13600	5	3
119717-14400	6	2
119717-14581	6	3
119717-21200	7	4

Parts No.	Fig. No.	Ref. No.
119717-21650	7	11
119717-21700	7	1
119717-22080	7	14
119717-22090	7	31
119717-22300	7	20
119717-22500	7	16
119717-22550	7	33
119717-23000	7	22
119717-23200	7	25
119717-23601	7	26
119717-23611	7	29
119717-23910	7	28
119717-25050	6	9
119717-25101	6	10
119717-25911	6	13
119717-25930	6	16
119717-32050	2	19
	15	14
119717-32060	8	5
	15	12
119717-32080	2	9
119717-32100	2	8
119717-32110	2	13
119717-32120	2	14
119717-34801	8	1
119717-35080	8	6
119717-39210	8	12
119717-42002	9	1
119717-42020	9	13
	15	20
119717-42031	9	4
119717-42041	9	3
119717-42320	9	11
119717-42350	9	17
119717-49800	9	23
119717-51030	10	5
119717-51060	10	6
119717-51070	10	7
119717-51100	10	9
119717-51150	6	17
119717-51190	10	14
119717-51200	10	15
119717-51300	10	42
119717-51330	10	45
119717-51420	10	50
119717-51480	10	89
119717-51490	10	90
119717-51500	10	63
119717-51570	10	69
119717-51711	10	75

Parts No.	Fig. No.	Ref. No.
119717-51750	10	76
119717-51761	10	77
119717-59510	12	38
119717-61050	11	2
119717-61060	11	3
119717-61070	11	4
119717-61120	11	8
119717-61130	11	9
119717-61140	11	10
119717-61150	11	11
119717-61200	11	71
119717-61400	11	14
119717-61500	11	30
119717-77010	13	2
119717-77800	4	58
119717-77820	4	59
119718-11310	4	49
	15	6
119734-13110	5	2
119740-01521	2	5
119740-01580	2	3
119742-01500	2	1
119742-26070	6	24
119742-26080	6	25
	15	24
119742-61100	11	5
119744-26000	6	20
119746-11740	4	7
119746-59810	12	20
119746-59820	12	24
119746-59830	12	28
119802-03100	4	43
119802-03110	4	44
119802-03121	4	45
119802-03131	4	46
119802-03141	4	47
119802-13620	5	4
119802-32130	2	15
119810-01200	1	26
119810-02941	1	34
119813-59950	12	50
119860-59020	12	34
119865-21600	7	10
119C10-42320	9	11 -1
119E10-42000	9	1 -1
121023-01551	2	31
121111-21501	7	7
121120-01620	3	3
121250-44901	9	28
121450-42450	9	27

Parts No. Index

Parts No.	Fig. No.	Ref. No.
121520-34810	8	2
121850-51960	2	20
	15	3
122710-51090	10	8
123501-79240	14	4
124060-01050	1	4
124066-59100	12	46
124085-02220	3	5
124160-01751	2	29
	4	38
124160-01910	1	7
124465-44950	9	29
		30
	15	17
124550-51350	10	46
124732-77340	14	31
124766-59050	12	35
129001-32320	2	11
129001-32330	2	12
129005-59830	8	13
129052-61390	11	13
129052-79270	14	18
129100-01580	3	1
	7	2
129100-35140	8	3
129100-51560	10	68
129100-51570	10	70
129100-52101	10	94
129100-61650	11	59
129150-11230	4	32
129150-11750	4	34
129150-25301	6	15
129150-59120	12	15
129150-59131	12	18
129155-51020	10	4
129155-51140	10	12
129155-51280	10	40
	41	6
	11	6
129155-51400	10	48
129155-51450	10	58
129155-51521	10	64
129155-51530	10	65
129155-51540	10	66
129155-51550	10	67
129155-51580	10	72
129155-51591	10	73
129155-51600	10	19
129155-51701	10	74
129155-52051	10	93

Parts No.	Fig. No.	Ref. No.
129155-61341	11	76
129155-61450	11	22
129155-61460	11	77
129155-61480	11	24
129156-61460	11	23
129209-61370	11	12
129209-61930	11	131
129209-61970	11	132
129240-79300	14	12
129350-26490	6	22
129400-92420	15	25
129423-77200	14	1
129423-77710	14	16
129486-61540	11	49
129508-11180	4	19
129573-61700	11	122
129900-07900	4	2
129900-32130	2	10
129901-11450	4	4
	15	5
129901-53800	12	4
129901-59560	12	44
	15	19
129916-49740	9	12
129972-77341	14	32
158552-61700	11	60
158552-61710	11	64
158552-61900	11	78
158600-51170	10	13
158600-51270	10	39
158600-51410	10	49
158600-51420	10	51
158600-51442	10	52
158600-51570	10	71
158600-51790	10	78
158601-61700	11	123
171056-49120	9	26
174307-51700	11	31
22190-080002	8	14
		16
	15	10
22190-100002	11	79
22190-120002	11	80
	12	37
		56
	15	18
22190-160002	3	11
	10	79
	15	22
22217-060000	10	80

Parts No.	Fig. No.	Ref. No.
22217-120000	6	18
22242-000120	4	35
22252-000220	7	21
22272-000030	11	66
22351-050010	10	81
22351-060012	4	24
22372-040000	11	81
22512-040120	7	5
22857-500100	4	52
		53
22857-500160	4	54
23414-080000	9	14
	15	21
23414-120016	11	134
23857-030000	8	15
23876-005000	4	15
23876-030000	2	7
23887-100002	11	82
24101-060034	10	82
24101-063034	10	83
24104-060054	6	23
24311-000320	2	30
	4	55
	15	11
24316-000150	10	84
24341-000070	11	67
24341-000240	2	32
	15	23
25132-003700	9	18
26022-050122	10	85
26022-060162	10	86
26106-050102	10	87
26106-060102	8	10
	11	68
		83
26106-060122	2	21
	6	8
26106-060142	11	84
26106-060162	2	22
		33
26106-060202	4	56
	11	85
26106-060352	6	14
26106-060402	2	23
		24
26106-060452	11	86
26106-060602	2	25
26106-060652	2	26
26106-060752	4	57
26106-080122	3	12

Parts No.	Fig. No.	Ref. No.
26106-080122	9	15
		19
26106-080162	4	3
	6	26
26106-080202	14	33
26106-080252	9	24
26106-080302	3	13
26106-080352	2	27
26106-080402	4	37
26106-080452	3	14
26106-080502	3	15
	9	16
26106-080652	9	25
26106-100252	13	1
26106-100452	14	29
26206-100252	3	6
26306-080002	2	28
	5	6
26366-080002	11	69
26577-060122	9	9
26716-060002	10	88
26716-120002	6	19
26736-120002	11	87
26756-060002	11	70
		88
26979-050162	4	36
27241-120000	1	13
27241-250000	9	10
719717-01561	1	1
719717-02901	1	28
719717-02911	1	31
719717-51360	10	1
719717-92650	15	1
719740-01510	2	4
977770-1207F	15	26
X0280210331	13	24
X0280335350	13	34
X0280626010	13	13
X0280996180	13	4
X0281007750	13	3
X0282005991	13	7
X0283006960	13	8
X0284105040	13	14
X0284525010	13	28
X0285007030	13	11
X0285105190	13	5
X0285205030	13	6
X0286105010	13	16
X0286305010	13	18
X0286355010	13	19

Parts No. Index

Parts No.	Fig. No.	Ref. No.
X0287405140	13	20
X0534007800	13	21
X1289510130	13	35
X4284001590	13	9
X9055715000	13	22
X9490065670	13	33
X9490138090	13	26
X9490138100	13	27
X9490138110	13	25
X9490423420	13	31
X9490560750	13	30
X9490561001	14	2
X9490562360	13	29
X9490721360	13	23
X9491034320	13	17
X9491034330	13	15
X9491040990	13	12
X9491050100	13	10

Parts No.	Fig. No.	Ref. No.
-----------	----------	----------

Parts No.	Fig. No.	Ref. No.
-----------	----------	----------

Parts No.	Fig. No.	Ref. No.
-----------	----------	----------