

0CW10-M67100EN

P R E F A C E

1. This parts catalog is the 1st edition of 3TNV76-PAMM for AMMANN.

Pub.No. : 0CW10-G67100

Published : September, 2010

2. Model name

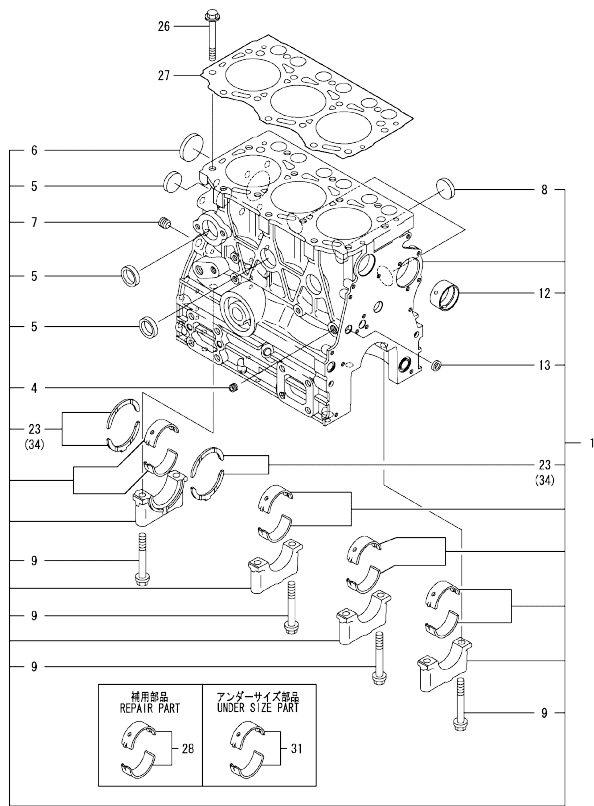
Engine model	Vehicle	Vehicle made by
3TNV76-PAMM	VIBRATION ROLLER	AMMANN

Contents

0CW10-M67100

Fig. No.	Fig. Name	Fig. No.	Fig. Name
3TNV76-PAMM			
1.	CYLINDER BLOCK		
2.	GEAR HOUSING		
3.	FLYWHEEL HOUSING & OIL SUMP		
4.	CYLINDER HEAD & BONNET		
5.	EXHAUST MANIFOLD		
6.	CAMSHAFT & DRIVING GEAR		
7.	CRANKSHAFT & PISTON		
8.	LUB. OIL SYSTEM		
9.	COOLING WATER SYSTEM		
10.	FUEL INJECTION PUMP		
11.	GOVERNOR		
12.	FUEL INJECTION VALVE		
13.	FUEL FILTER		
14.	STARTING MOTOR		
15.	GENERATOR		
16.	GASKET SET		

Fig.1. CYLINDER BLOCK



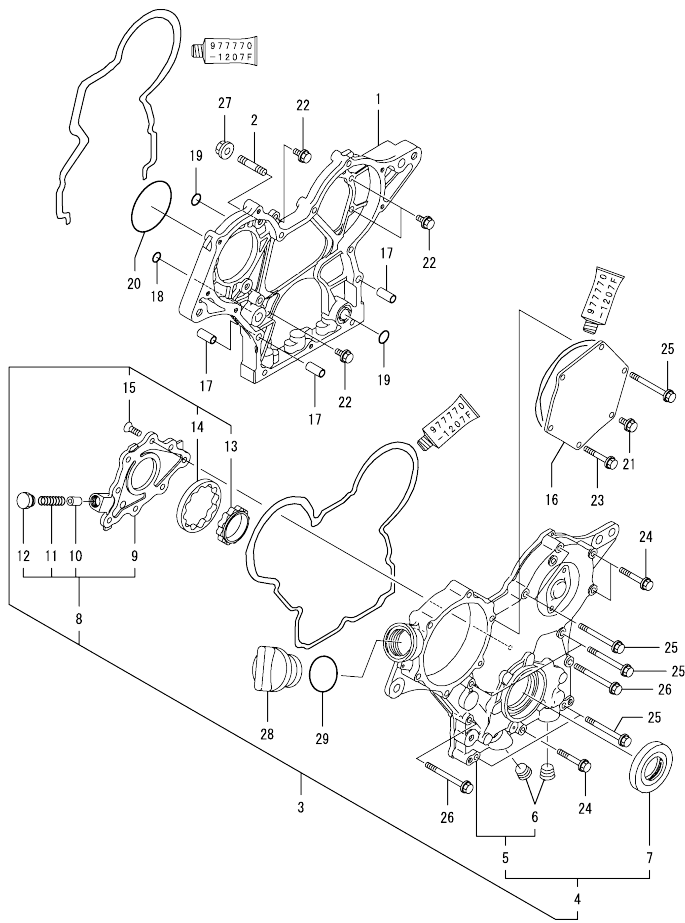
(A)=3TNV76-PAMM
(B)=
(C)=

(D)=
(E)=
(F)=

No.	Lev.	Parts No.	Description	Q'ty						I	R
				(A)	(B)	(C)	(D)	(E)	(F)		
1	1	719717-01561	BLOCK ASSY, CYLINDER	1							
4	2	124060-01050	PLUG, PT1/8	1							
5	2	105311-01090	PLUG, 30	4							
6	2	119623-01250	PLUG, 45	1							
7	2	124160-01910	PLUG, PT1/4	1							
8	2	119285-01990	PLUG, 25	3							
9	2	119620-02020	BOLT, METAL CAP	8							
12	2	119717-02411	BUSH, CAMSHAFT	1							
13	2	27241-120000	PLUG, 12	1							
23	2	119717-02930	BEARING, THRUST	2							
26	1	119810-01200	BOLT, HEAD	14							
27	1	119717-01330	GASKET, HEAD	1							
28	1	719717-02901	BEARING, MAIN	4							1
31	1	719717-02911	BEARING, 0.25 US	4							2
34	1	119810-02941	BEARING, THRUST 0.25	2							3

Remarks
(1)Repair part.
(2)Under-sized(U.S.=0.25)part.
(3)Over-sized(O.S.=0.25)part.

Fig.2. GEAR HOUSING

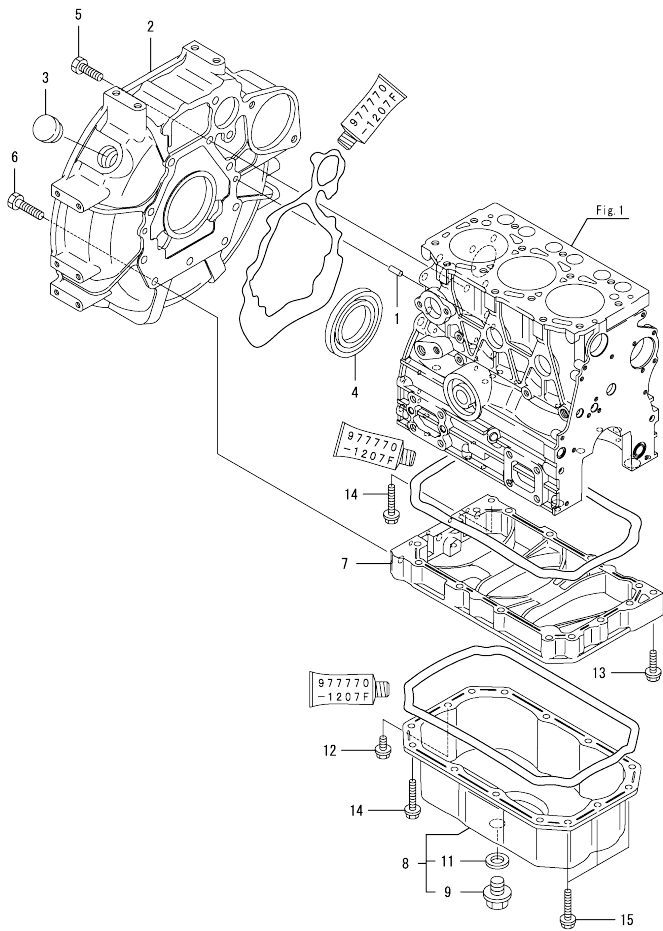


(A)=3TNV76-PAMM
(B)=
(C)=

(D)=
(E)=
(F)=

No.	Lev.	Parts No.	Description	Q'ty						I	R
				(A)	(B)	(C)	(D)	(E)	(F)		
1	1	119717-01501	CASE, GEAR	1							
2	1	119717-01570	STUD	3							
3	1	119734-01590	COVER ASSY,GEAR CASE	1							
4	2	719734-01500	COVER ASSY,GEAR CASE	1							
5	3	119717-01521	COVER, GEAR CASE	1							
6	4	23876-030000	PLUG, R03	2							
7	3	119717-01800	SEAL, OIL	1							
8	2	119717-32100	COVER ASSY	1							
9	3	119717-32080	COVER	1							
10	3	129900-32130	VALVE, RELIEF	1							
11	3	129001-32320	SPRING	1							
12	3	129001-32330	PLUG	1							
13	2	119717-32110	ROTOR, INNER	1							
14	2	119717-32120	ROTOR, OUTER	1							
15	2	119802-32130	SCREW, M6X16	8							
16	1	119717-01750	COVER	1							
17	1	119660-01911	PIPE, KNOCK	4							
18	1	119624-32040	O-RING, P12.0	1							
19	1	119717-32050	O-RING, P17.0	3							
20	1	121850-51960	O-RING	1							
21	1	26106-060122	BOLT, M6X 12 PLATED	1							
22	1	26106-060162	BOLT, M6X 16 PLATED	4							
23	1	26106-060402	BOLT, M6X 40 PLATED	4							
24	1	26106-060402	BOLT, M6X 40 PLATED	3							
25	1	26106-060602	BOLT, M6X 60 PLATED	7							
26	1	26106-060652	BOLT, M6X 65 PLATED	2							
27	1	26306-080002	NUT, M8	3							
28	1	124160-01751	COVER, FILLER	1							
29	1	243111-000320	O-RING, 1AP32.0	1							

Fig.3. FLYWHEEL HOUSING & OIL SUMP

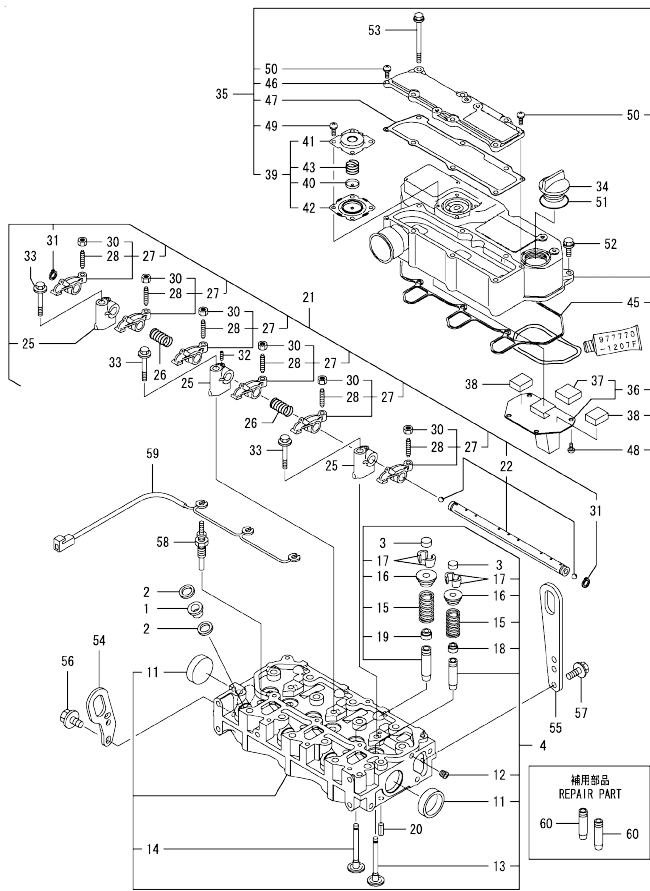


(A)=3TNV76-PAMM
(B)=
(C)=

(D)=
(E)=
(F)=

No.	Lev.	Parts No.	Description	Q'ty						I	R
				(A)	(B)	(C)	(D)	(E)	(F)		
1	1	129100-01580	PIN, M8X16		2						
2	1	119717-01601	HOUSING, FLYWHEEL	1							
3	1	119620-01750	CAP	1							
4	1	124085-02220	SEAL, OIL	1							
5	1	26206-100252	BOLT, M10X 25 PLATED	8							
6	1	26206-100302	BOLT, M10X 30 PLATED	3							
7	1	119717-01720	SPACER, OIL SUMP	1							
8	1	119717-01770	SUMP ASSY, OIL	1							
9	2	105425-01690	PLUG, 16	1							
11	2	22190-160002	WASHER, SEAL 16	1							
12	1	26106-080122	BOLT, M8X 12 PLATED	1							
13	1	26106-080302	BOLT, M8X 30 PLATED	1							
14	1	26106-080452	BOLT, M8X 45 PLATED	11							
15	1	26106-080502	BOLT, M8X 50 PLATED	3							

Fig.4. CYLINDER HEAD & BONNET



Remarks
(1)Repair part.

(A)=3TNV76-PAMM
(B)=
(C)=

(D)=
(E)=
(F)=

No.	Lev.	Parts No.	Description	Q'ty						I	R
				(A)	(B)	(C)	(D)	(E)	(F)		
1	1	129901-11450	PROTECTOR, NOZZLE	3							
2	1	119600-11460	GASKET, NOZZLE	6							
3	1	105010-11490	CAP, VALVE	6							
4	1	119717-11740	HEAD ASSY, CYLINDER	1							
11	2	119285-11990	PLUG, 35	2							
12	2	23876-005000	PLUG, R005	1							
13	2	119717-11101	VALVE, INTAKE	3							
14	2	119717-11110	VALVE, EXHAUST	3							
15	2	119717-11131	SPRING, VALVE	6							
16	2	129508-11180	RETAINER, SPRING	6							
17	2	119717-11190	COTTER	12							
18	2	119717-11340	SEAL, VALVE STEM	3							
19	2	119717-11350	SEAL, VALVE STEM	3							
20	1	22351-060012	PIN, SPRING 6.0X12	2							
21	1	119717-11200	SUPPORT ASSY, ARM	1							
22	2	119717-11240	SHAFT ASSY, ROCKER	1							
25	2	119717-11260	SUPPORT, ROCKER ARM	3							
26	2	119620-11280	SPRING	2							
27	2	119717-11650	ARM, ROCKER	6							
28	3	129150-11230	SCREW, VALVE ADJUST	6							
30	3	129150-11750	NUT, M8	6							
31	2	22242-000120	RING, 12	2							
32	2	26979-050162	SCREW, M5X16	1							
33	1	26106-080402	BOLT, M8X 40 PLATED	3							
34	1	124160-01751	COVER, FILLER	1							
35	1	119717-11381	BONNET ASSY, HEAD	1							
36	2	119717-03031	PLATE	1							
37	3	119717-03070	BAFFLE, BREATHER	1							
38	2	119717-03070	BAFFLE, BREATHER	2							
39	2	119802-03100	DIAPHRAGM ASSY	1							
40	3	119802-03110	PLATE	1							
41	3	119802-03121	COVER, DIAPHRAGM	1							
42	3	119802-03131	DIAPHRAGM	1							
43	3	119802-03141	SPRING, DIAPHRAGM	1							
45	2	119718-11310	GASKET, BONNET	1							
46	2	119717-11320	COVER, BONNET	1							
47	2	119717-11331	GASKET	1							
48	2	22857-500100	SCREW, 5X10	4							
49	2	22857-500100	SCREW, 5X10	4							
50	2	22857-500160	SCREW, 5X16	2							
51	1	24311-000320	O-RING, 1AP32.0	1							
52	1	26106-060202	BOLT, M6X 20 PLATED	3							
53	1	26106-060752	BOLT, M6X 75 PLATED	6							
54	1	119626-07900	LIFTER	1							
55	1	129900-07900	LIFTER	1							
56	1	26106-080142	BOLT, M8X 14 PLATED	2							
57	1	26106-080162	BOLT, M8X 16 PLATED	2							
58	1	119717-77800	PLUG, GLOW	3							
59	1	119717-77820	CONNECTOR, GLOW PLUG	1							
60	1	119717-11800	GUIDE, VALVE	6							1

Fig.5. EXHAUST MANIFOLD

(A)=3TNV76-PAMM
(B)=
(C)=

(D)=
(E)=
(F)=

No.	Lev.	Parts No.	Description	Q'ty					
				(A)	(B)	(C)	(D)	(E)	(F)
1	1	119740-13100	MANIFOLD, EXHAUST	1					
2	1	119717-13110	GASKET	1					
3	1	119717-13600	STUD, M8X50	2					
4	1	119802-13620	BOLT, M8X50	2					
5	1	123900-13620	BOLT, M8X70	2					
6	1	119131-18320	STUD, M8X22	4					
7	1	26306-080002	NUT, M8	2					
8	1	119515-13200	GASKET, SILENCER	1					

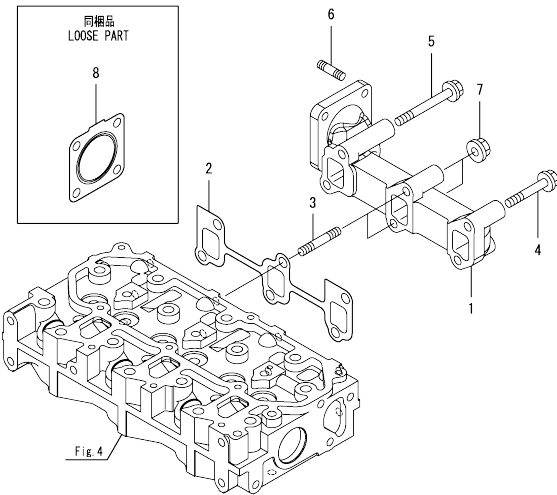
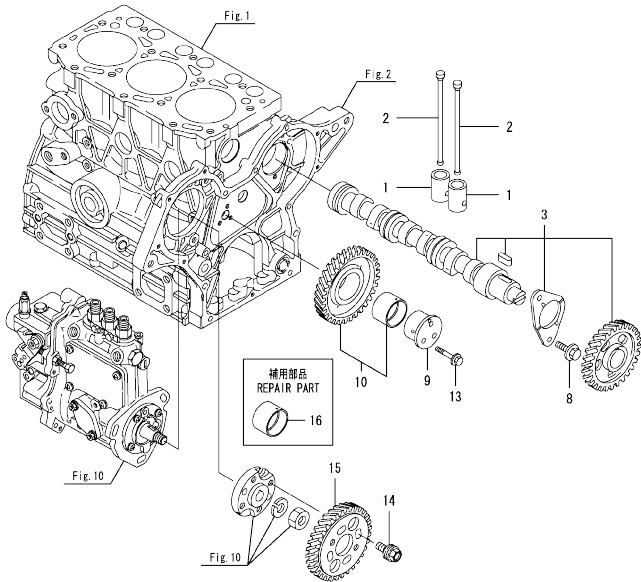


Fig. 4

Fig.6. CAMSHAFT & DRIVING GEAR



(A)=3TNV76-PAMM
(B)=
(C)=

(D)=
(E)=
(F)=

No.	Lev.	Parts No.	Description	Q'ty						I	R
				(A)	(B)	(C)	(D)	(E)	(F)		
1	1	119620-14200	TAPPET	6							
2	1	119717-14400	ROD, PUSH	6							
3	1	119717-14581	CAMSHAFT ASSY	1							
8	1	26106-060122	BOLT, M6X 12 PLATED	2							
9	1	119717-25050	SHAFT, IDLE	1							
10	1	119717-25101	GEAR ASSY, IDLE	1							
13	1	26106-060352	BOLT, M6X 35 PLATED	3							
14	1	129150-25301	BOLT	4							
15	1	119717-25930	GEAR, PUMP	1							
16	1	119717-25911	BUSH, IDLE GEAR	1							1

Remarks
(1)Repair part.

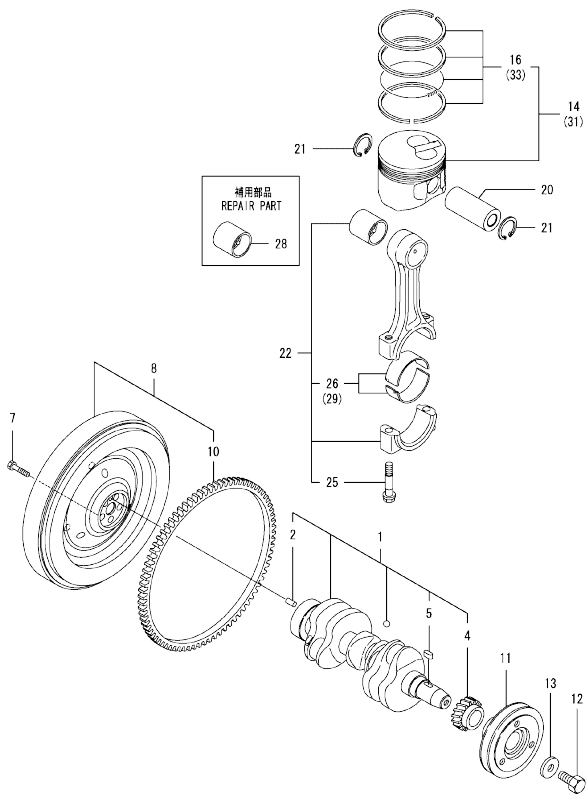
N:Old $\frac{100}{100}$ New, Q:Old $\frac{100}{100}$ New, R:Old $\frac{100}{100}$ New, S:Old $\frac{100}{100}$ New, W:Add, Z:Discontinued, F:Interchangeable by set, K:Q'ty Change
Copyright (C) YANMAR CO., LTD. All Rights Reserved.

Fig.7. CRANKSHAFT & PISTON

(A)=3TNV76-PAMM
(B)=
(C)=

(D)=
(E)=
(F)=

No.	Lev.	Parts No.	Description	Q'ty						I	R
				(A)	(B)	(C)	(D)	(E)	(F)		
1	1	119717-21700	CRANKSHAFT ASSY	1							
2	2	129100-01580	PIN, M8X16	1							
4	2	119717-21200	GEAR, CRANKSHAFT	1							
5	2	22512-040120	KEY, 4X 12	1							
7	1	121111-21501	BOLT, FLYWHEEL	5							
8	1	119636-21580	FLYWHEEL ASSY	1							
10	2	119865-21600	GEAR, RING	1							
11	1	119717-21650	V-PULLEY	1							
12	1	119621-21681	BOLT, FLANGE 12X1.25	1							
13	1	119620-21941	WASHER	1							
14	1	119717-22080	PISTON ASSY	3							
16	2	119717-22500	RING SET, PISTON	3							
20	1	119717-22300	PIN, PISTON	3							
21	1	22252-000220	RING, 22	6							
22	1	119717-23000	ROD ASSY, CONNECTING	3							
25	2	119717-23200	BOLT, CONNECTING ROD	6							
26	2	119717-23601	BEARING, CRANK PIN	3							
28	1	119717-23910	BEARING, PISTON PIN	3							1
29	1	119717-23611	METAL ASSY, 0.25	3							2
31	1	119717-22090	PISTON ASSY, 0.25 OS	3							3
33	2	119717-22550	RING SET, 0.25 OS	3							3



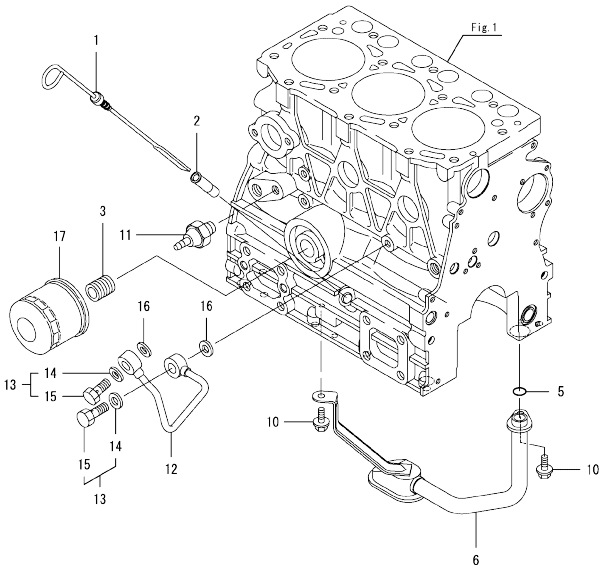
Remarks
(1)Repair part.
(2)Under-sized(U.S.=0.25)part.
(3)Over-sized(O.S.=0.25)part.

Fig.8. LUB. OIL SYSTEM

(A)=3TNV76-PAMM
(B)=
(C)=

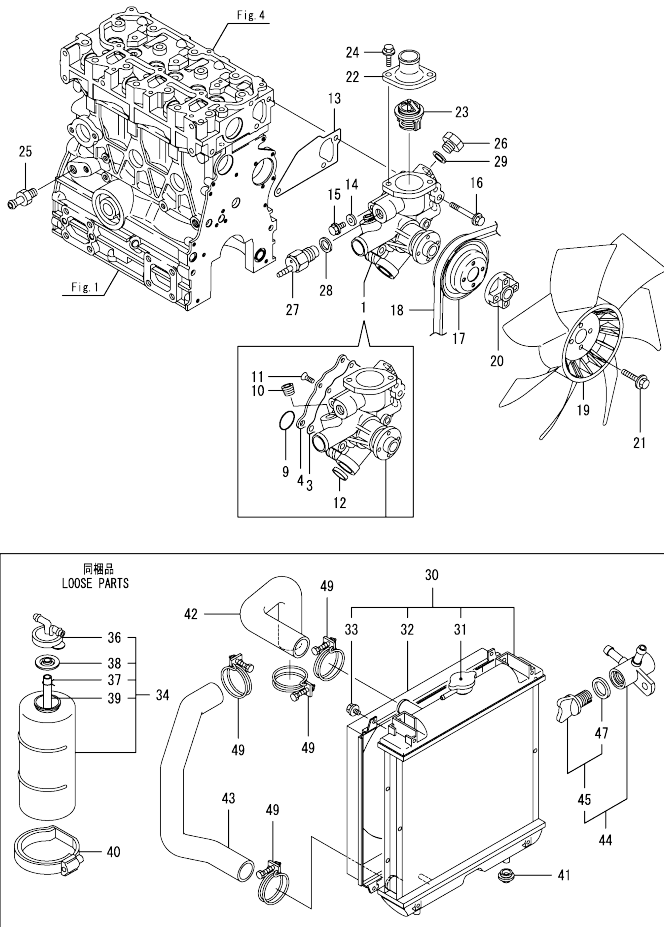
(D)=
(E)=
(F)=

No.	Lev.	Parts No.	Description	Q'ty						I	R
				(A)	(B)	(C)	(D)	(E)	(F)		
1	1	119717-34801	DIPSTICK, OIL	1							
2	1	121520-34810	GUIDE, DIPSTICK	1							
3	1	119717-35140	BOLT	1							
5	1	119717-32060	O-RING, P15.0	1							
6	1	119717-35080	PIPE ASSY, OIL INLET	1							
10	1	26106-060102	BOLT, M6X 10 PLATED	2							
11	1	114250-39450	SWITCH, 0.5KG	1							
12	1	119717-39210	PIPE, OIL	1							
13	1	129005-59830	BOLT ASSY, JOINT M8	2							
14	2	22190-080002	WASHER, SEAL 6	2							
15	2	23857-030000	BOLT, JOINT 3	2							
16	1	22190-080002	WASHER, SEAL 6	2							
17	1	119305-35170	FILTER ASSY, D68XL65	1							1



Remarks
(1)Repair part.

Fig.9. COOLING WATER SYSTEM

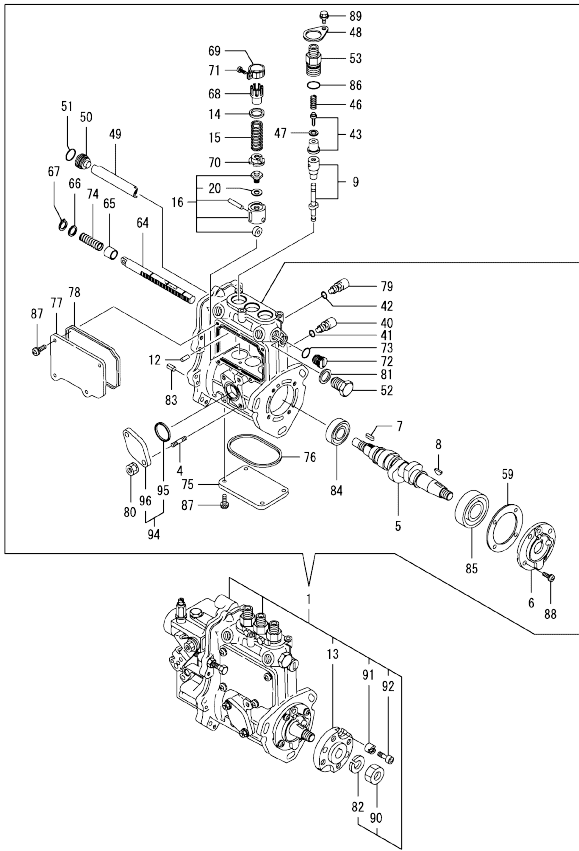


No.	Lev.	Parts No.	Description	Q'ty						I	R
				(A)	(B)	(C)	(D)	(E)	(F)		
1	1	119717-42002	PUMP ASSY, WATER	1							
1-1	1	119E10-42000	PUMP ASSY, WATER	1							N
		(A=E/ B0239)									
3	2	119717-42031	GASKET	1							
4	2	119717-42041	COVER	1							
9	2	119717-42320	O-RING, P26	1							
9-1	2	119C10-42320	O-RING, 2028	1							S
		(A=E/ B0239)									
10	2	129916-49740	PLUG, R03	1							
11	2	26577-060122	SCREW, M6X12	4							
12	2	27241-250000	PLUG, 25	1							
13	1	119717-42020	GASKET, WATER PUMP	1							
14	1	23414-080000	GASKET, 8X1.0	1							
15	1	26106-080122	BOLT, M8X 12 PLATED	1							
16	1	26106-080502	BOLT, M8X 50 PLATED	3							
17	1	119740-42350	V-PULLEY, D=90	1							
18	1	171001-42290	V-BELT, A35.5	1							
19	1	119717-44740	FAN, COOLING D335X7	1							
20	1	121267-44760	SPACER	1							
21	1	26106-060302	BOLT, M6X 30 PLATED	4							
22	1	129350-49530	COVER, THERMOSTAT	1							
23	1	119717-49800	THERMOSTAT, 71	1							
24	1	26106-080202	BOLT, M8X 20 PLATED	2							
25	1	121550-49111	JOINT, PT1/4	1							
26	1	121450-42450	PLUG, M16	1							
27	1	121250-44901	SWITCH, 110	1							
28	1	124465-44950	GASKET, 16	1							
29	1	124465-44950	GASKET, 16	1							
30	1	129004-44500	RADIATOR ASSY	1							
31	2	129107-44590	CAP, RADIATOR	1							
32	2	119802-44600	SHROUD	1							
33	2	26014-060122	BOLT, M6X 12	4							
34	1	119813-44510	TANK ASSY	1							
36	2	121450-44531	CAP	1							
37	2	124450-44560	RETAINER	1							
38	2	121470-44581	GASKET	1							
39	2	23065-070180	PIPE, 7X 180	1							
40	1	124450-44550	BAND	1							
41	1	119255-44660	ABSORBER	2							
42	1	119802-49010	PIPE, WATER	1							
43	1	119740-49060	PIPE, WATER	1							
44	1	129150-49100	COCK ASSY, 3-WAY	1							
45	2	129150-49080	COCK, DRAIN	1							
47	3	119629-49080	GASKET	1							
49	1	23010-038000	CLAMP, 38	4							

Fig.10. FUEL INJECTION PUMP

(A)=3TNV76-PAMM
(B)=
(C)=

(D)=
(E)=
(F)=



No.	Lev.	Parts No.	Description	Q'ty						I	R
				(A)	(B)	(C)	(D)	(E)	(F)		
1	1	719744-51420	FIE ASSY(3TNV76-PAMM)	1							1
4	2	129155-51020	STUD	2							
5	2	119717-51030	CAMSHAFT	1							
6	2	119717-51060	SUPPORT, CAMSHAFT	1							
7	2	119717-51070	KEY	1							
8	2	122710-51090	KEY	1							
9	2	119740-51100	PLUNGER ASSY	3							
12	2	129155-51140	PIN	3							
13	2	119717-51150	FLANGE	1							
14	2	158600-51170	RETAINER, SPRING	3							
15	2	119717-51190	SPRING, PLUNGER	3							
16	2	119717-51200	TAPPET ASSY	3							
20	3	129155-51600	SHIM SET, ADJUSTING	3							
40	2	158600-51270	STOPPER, TAPPET	3							
41	2	129155-51280	O-RING, S6	3							
42	2	129155-51280	O-RING, S6	1							
43	2	119717-51300	VALVE ASSY, DELIVERY	3							
46	2	119717-51330	SPRING, DELIVERY	3							
47	2	124550-51350	GASKET, DELIVERY	3							
48	2	119125-51370	RETAINER	3							
49	2	129155-51400	DEFLECTOR	1							
50	2	158600-51410	PLUG, DEFLECTOR	1							
51	2	119717-51420	O-RING	1							
52	2	158600-51420	PLUG, DEFLECTOR	1							
53	2	158600-51442	VALVE ASSY, DELIVERY	3							
59	2	129155-51450	SHIM SET, ADJUSTING	1							
64	2	119717-51500	RACK, CONTROL	1							
65	2	129155-51521	BUSH, RACK	1							
66	2	129155-51530	SPACER	1							
67	2	129155-51540	CIRCLIP	1							
68	2	129155-51550	PINION, CONTROL	3							
69	2	129100-51560	PINION	3							
70	2	119717-51570	RETAINER, SPRING	3							
71	2	129100-51570	SCREW	3							
72	2	158600-51570	PLUG	1							
73	2	129155-51580	O-RING	1							
74	2	129155-51591	SPRING, RACK	1							
75	2	129155-51701	COVER	1							
76	2	119717-51711	GASKET	1							
77	2	119717-51750	COVER	1							
78	2	119717-51761	GASKET	1							
79	2	158600-51790	STOOPER, RACK	1							
80	2	119717-51860	NUT, M6	2							
81	2	22190-160002	WASHER, SEAL 16	1							
82	2	22217-120000	WASHER, SPRING 12	1							
83	2	22351-050010	PIN, SPRING 5.0X10	2							
84	2	24101-060034	BEARING, BALL 6003	1							
85	2	24101-063034	BEARING, BALL 6303	1							
86	2	24316-000150	O-RING, 4DP15.0	3							
87	2	26022-050122	SCREW, M5X12	8							
88	2	26022-060162	SCREW, M6X16	4							

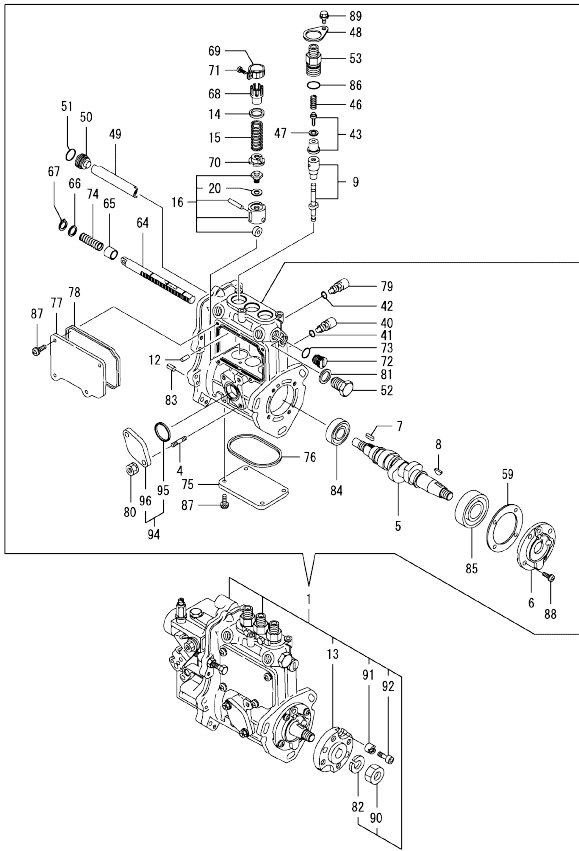
Remarks
(1)Governor(Fig.11)is incorporated in this Fuel Injection Pump (Ref.1).

N:Old $\frac{100}{100}$ New, Q:Old $\frac{100}{100}$ New, R:Old $\frac{100}{100}$ New, S:Old $\frac{100}{100}$ New, W:Add, Z:Discontinued, F:Interchangeable by set, K:Q'ty Change
 ++ CONTINUE ++
 Copyright (C) YANMAR CO., LTD. All Rights Reserved.

Fig.10. FUEL INJECTION PUMP

(A)=3TNV76-PAMM
(B)=
(C)=

(D)=
(E)=
(F)=

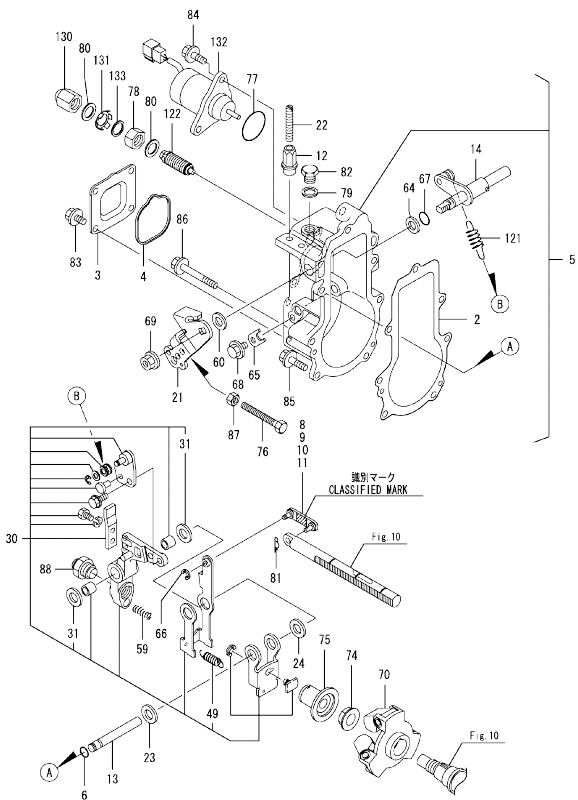


No.	Lev.	Parts No.	Description	Q'ty						I	R
				(A)	(B)	(C)	(D)	(E)	(F)		
89	2	26106-050102	BOLT, M5X 10 PLATED	3							
90	2	26716-120002	NUT, M12	1							
91	2	119717-51480	COLLAR	1							
92	2	119717-51490	BOLT	1							
94	2	129255-52000	COVER ASSY	1							
95	3	129155-52051	GASKET	1							
96	3	129100-52200	COVER	1							

Remarks
(1)Governor(Fig.11)is incorporated in this Fuel Injection Pump (Ref.1).

N:Old $\frac{100}{100}$ New, Q:Old $\frac{100}{100}$ New, R:Old $\frac{100}{100}$ New, S:Old $\frac{100}{100}$ New, W:Add, Z:Discontinued, F:Interchangeable by set, K:Q'ty Change
Copyright (C) YANMAR CO., LTD. All Rights Reserved.

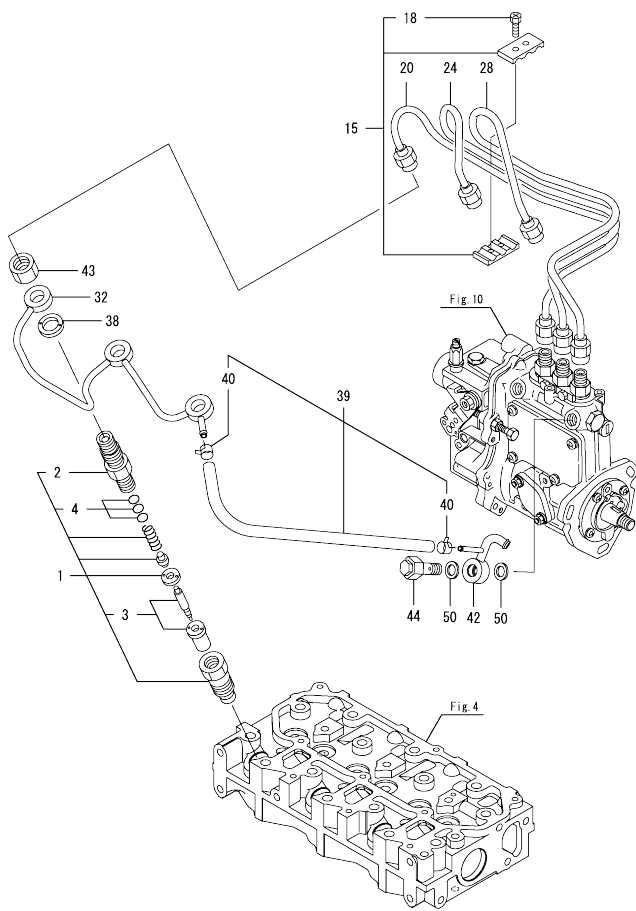
Fig.11. GOVERNOR



Remarks
 *This figure(Governor)is incorporated
 in the Fuel Injection Pump (Fig.10).
 (1)Selective parts; certain the
 classification mark, then place
 your order (ref. to illustration).

No.	Lev.	Parts No.	Description	Q'ty						I	R
				(A)	(B)	(C)	(D)	(E)	(F)		
2	2	119717-61050	GASKET	1							
3	2	119717-61060	COVER, GOVERNOR CASE	1							
4	2	119717-61070	GASKET	1							
5	2	119717-61100	CASE ASSY, GOVERNOR	1							
6	3	129155-51280	O-RING, S6	1							
8	3	119717-61120	LINK, MARK :3	1							1
9	3	119717-61130	LINK, MARK 98	1							1
10	3	119717-61140	LINK, MARK 88	1							1
11	3	119717-61150	LINK, MARK 03	1							1
12	3	129209-61370	NUT, M6	1							
13	3	129052-61390	SHAFT	1							
14	3	119717-61400	SHAFT ASSY	1							
21	3	119515-61440	LEVER, CONTROL	1							
22	3	129155-61450	BOLT, LIMITER	1							
23	3	129156-61460	SHIM, T=0.6	1							
24	3	129155-61480	SPACER ASSY	1							
30	3	119717-61500	LEVER ASSY, GOVERNOR	1							
31	4	174307-51700	SHIM SET	2							
49	4	129486-61540	SPRING, SET	1							
59	3	129100-61650	SPRING, CONTROLLER	1							
60	3	158552-61700	SHIM SET	1							
64	3	158552-61710	SHIM, T=1.0	1							
65	3	119660-61901	RETAINER, SHAFT	1							
66	3	22272-000030	RING, E- 3	1							
67	3	24341-000070	O-RING, 1AS7.0	1							
68	3	26106-060102	BOLT, M6X 10 PLATED	1							
69	3	26366-080002	NUT, M8	1							
70	2	119717-61201	WEIGHT ASSY,GOVERNOR	1							
74	2	129008-61301	NUT	1							
75	2	129155-61341	SLEEVE	1							
76	2	129155-61460	BOLT, IDLE	1							
77	2	158552-61900	O-RING	1							
78	2	129209-61920	NUT, ARB	1							
79	2	22190-100002	WASHER, SEAL 10	1							
80	2	22190-120002	WASHER, SEAL 12	2							
81	2	22372-040000	PIN, SNAP 4	1							
82	2	23887-100002	PLUG, 10	1							
83	2	26106-060102	BOLT, M6X 10 PLATED	4							
84	2	26106-060142	BOLT, M6X 14 PLATED	2							
85	2	26106-060202	BOLT, M6X 20 PLATED	4							
86	2	26106-060452	BOLT, M6X 45 PLATED	3							
87	2	26756-060002	NUT, LOCK M6	1							
88	2	119515-61550	ANGLEICH ASSY	1							
121	2	171353-61700	SPRING, GOVERNOR	1							
122	2	158601-61710	LIMITER ASSY, FUEL	1							
130	2	129209-61930	NUT, CAP	1							
131	2	129209-61970	PLATE	1							
132	2	119233-77932	SOLENOID, STOP	1							
133	2	23414-120016	GASKET, 12X1.0	1							

Fig.12. FUEL INJECTION VALVE



(A)=3TNV76-PAMM
(B)=
(C)=

(D)=
(E)=
(F)=

No.	Lev.	Parts No.	Description	Q'ty						I	R
				(A)	(B)	(C)	(D)	(E)	(F)		
1	1	119717-53001	VALVE ASSY,INJECTION	3							
2	2	118200-53010	HOLDER, NOZZLE	3							
3	2	119717-53010	VALVE ASSY,INJECTION	3							
4	2	129901-53800	SHIM SET, ADJUSTING	3							
15	1	129150-59120	RETAINER, PIPE	1							
18	2	129150-59131	BOLT, M4X14	2							
20	1	119717-59810	PIPE ASSY, INJECTION	1							
24	1	119717-59820	PIPE ASSY, INJECTION	1							
28	1	119717-59830	PIPE ASSY, INJECTION	1							
32	1	119717-59510	PIPE ASSY, RETURN	1							
38	1	129901-59560	GASKET	3							
39	1	119540-59570	PIPE ASSY, RETURN	1							
40	2	124066-59100	CLIP, HOSE 8	2							
42	1	119515-59581	JOINT, OVER FLOW	1							
43	1	119620-59700	NUT, NOZZLE	3							
44	1	119813-59950	VALVE ASSY, CHECK	1							
50	1	22190-120002	WASHER, SEAL 12	2							

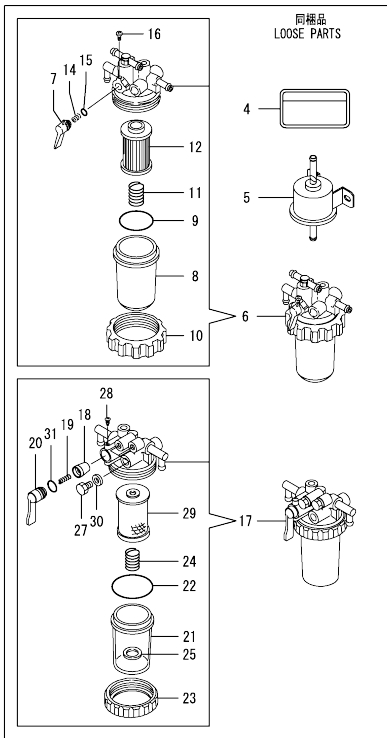
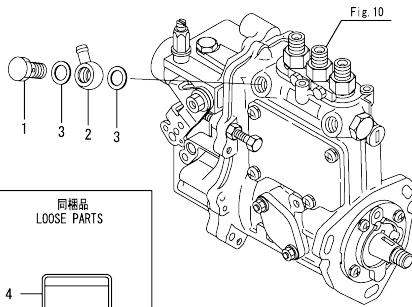
0CW10-M67100 3TNV76-PAMM
 Fig.13. FUEL FILTER

0CW10-M67100 Fig.13

(A)=3TNV76-PAMM
 (B)=
 (C)=

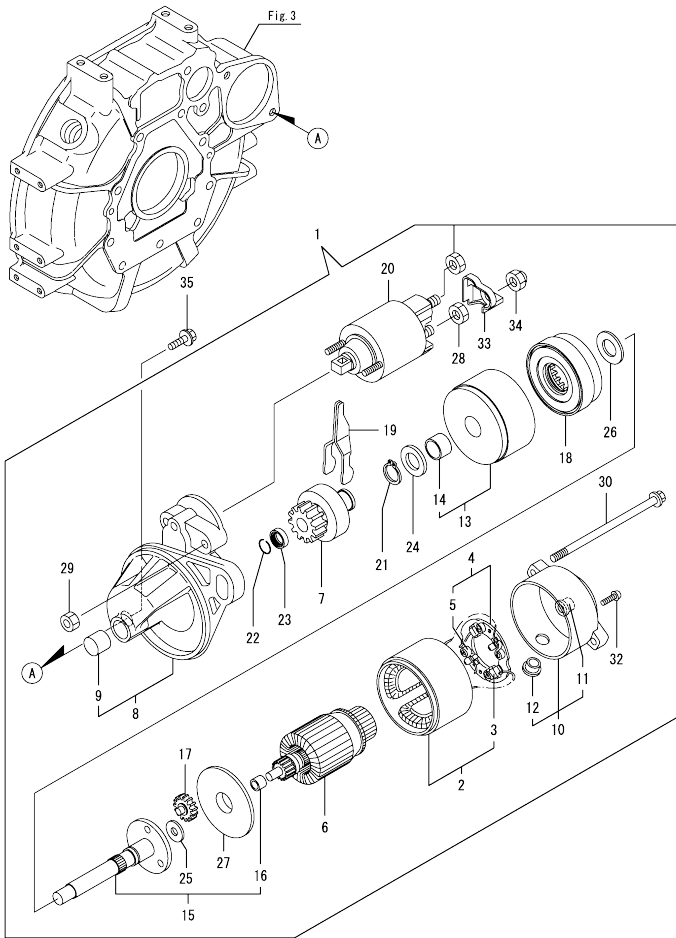
(D)=
 (E)=
 (F)=

No.	Lev.	Parts No.	Description	Q'ty						I	R
				(A)	(B)	(C)	(D)	(E)	(F)		
1	1	103854-39140	BOLT, PIPE JOINT	1							
2	1	101304-59020	JOINT, PIPE 12	1							
3	1	22190-120002	WASHER, SEAL 12	2							
4	1	114110-07760	LABEL, FUEL OIL	1							
5	1	119225-52102	PUMP ASSY, FUEL FEED	1							
6	1	119740-55600	FILTER ASSY, FUEL	1							
7	2	119810-55340	LEVER	1							
8	2	121254-55510	COVER	1							
9	2	102103-55520	O-RING	1							
10	2	110250-55610	RING, RETAINING	1							
11	2	121250-55620	SPRING	1							
12	2	119810-55650	ELEMENT	1							
14	2	104200-55330	SPRING, VALVE	1							
15	2	24311-240100	O-RING, 1AP10A	1							
16	2	104200-55750	SCREW, M4	1							
17	1	129335-55700	SEPARATOR ASSY,WATER	1							
18	2	104200-55321	VALVE, TAPER	1							
19	2	104200-55330	SPRING, VALVE	1							
20	2	104200-55341	HANDLE	1							
21	2	124064-55510	COVER	1							
22	2	102103-55520	O-RING	1							
23	2	110250-55610	RING, RETAINING	1							
24	2	121257-55720	SPRING	1							
25	2	121257-55731	FLOAT	1							
27	2	101720-55750	PLUG, 6	2							
28	2	104200-55750	SCREW, M4	1							
29	2	171081-55910	SCREEN	1							
30	2	23418-060000	GASKET, 6X1.0	2							
31	2	24311-240100	O-RING, 1AP10A	1							



N:Old $\frac{100}{100}$ New, Q:Old $\frac{100}{100}$ New, R:Old $\frac{100}{100}$ New, S:Old $\frac{100}{100}$ New, W:Add, Z:Discontinued, F:Interchangeable by set, K:Q'ty Change
 Copyright (C) YANMAR CO., LTD. All Rights Reserved.

Fig.14. STARTING MOTOR



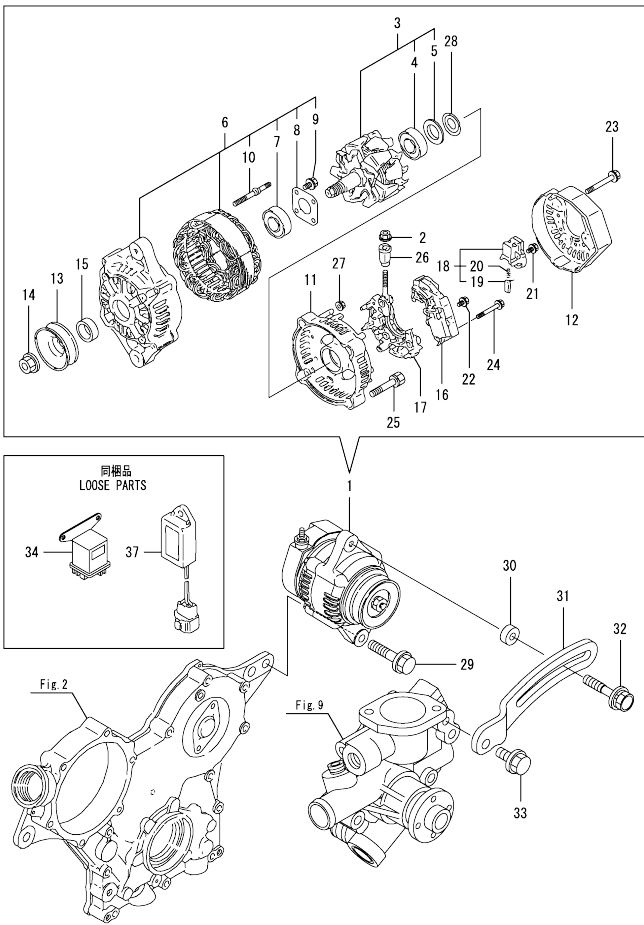
(A)=3TNV76-PAMM
(B)=
(C)=

(D)=
(E)=
(F)=

No.	Lev.	Parts No.	Description	Q'ty						I	R
				(A)	(B)	(C)	(D)	(E)	(F)		
1	1	119717-77010	STARTER, P1.1	1							
2	2	X0281007750	YOKE ASSY	1							
3	3	X0280996180	STARTER KIT	2							
4	2	X0285105190	HOLDER ASSY	1							
5	3	X0285205030	SPRING	4							
6	2	X0282005991	ARMATURE ASSY	1							
7	2	X0283006960	CLUTCH ASSY	1							
8	2	X4284001590	HOUSING ASSY,STARTER	1							
9	3	X9491050100	BEARING, NEEDLE	1							
10	2	X0285007030	FRAME ASSY.	1							
11	3	X9491040990	BEARING	1							
12	3	X0280626010	COVER	1							
13	2	X0284105040	BEARING ASSY	1							
14	3	X9491034330	BEARING	1							
15	2	X0286105010	SHAFT ASSY	1							
16	3	X9491034320	BEARING	1							
17	2	X0286305010	GEAR	3							
18	2	X0286355010	GEAR	1							
19	2	X0287405140	LEVER	1							
20	2	X0534007800	SWITCH ASSY	1							
21	2	X9055715000	RING	1							
22	2	X9490721360	RING	1							
23	2	X0280210331	NUT	1							
24	2	X9490138110	WASHER	1							
25	2	X9490138090	WASHER	1							
26	2	X9490138100	WASHER	1							
27	2	X0284525010	PLATE	1							
28	2	X9490562360	NUT	1							
29	2	X9490560750	NUT	2							
30	2	X9490423420	BOLT, THROUGH	2							
32	2	X9490065670	SCREW, M4X6	2							
33	2	X0280335350	COVER, TERMINAL	1							
34	2	X1289510130	NUT	1							
35	1	26106-100252	BOLT, M10X 25 PLATED	2							

0CW10-M67100 3TNV76-PAMM
 Fig.15. GENERATOR

0CW10-M67100 Fig.15



(A)=3TNV76-PAMM
 (B)=
 (C)=

(D)=
 (E)=
 (F)=

No.	Lev.	Parts No.	Description	Q'ty						I	R
				(A)	(B)	(C)	(D)	(E)	(F)		
1	1	129423-77200	GENERATOR, 12V-40A	1							
2	2	X9490561001	NUT	1							
3	2	119620-77380	ROTOR ASSY	1							
4	3	123501-79240	BEARING, BALL	1							
5	3	119620-79250	COVER, BEARING	1							
6	2	119620-77421	FRAME ASSY, DRIVE	1							
7	3	119620-79200	BALL BEARING	1							
8	3	119620-79210	PLATE, RETAINER	1							
9	3	119620-79220	SCREW	4							
10	3	119620-79230	STUD	2							
11	2	119620-77440	FLAME ASSY, REAR	1							
12	2	129240-79300	COVER	1							
13	2	119620-77461	PULLEY	1							
14	2	119620-77471	NUT	1							
15	2	119620-77490	COLLAR	1							
16	2	129423-77710	REGULATOR ASSY	1							
17	2	119620-79260	HOLDER	1							
18	2	129052-79270	HOLDER, BRUSH	1							
19	3	119620-77480	BRUSH ASSY	2							
20	3	119620-79280	SPRING	2							
21	2	119620-79290	SCREW	6							
22	2	119620-79300	SCREW	1							
23	2	119620-79310	BOLT	3							
24	2	119620-79320	SCREW	2							
25	2	119620-79330	BOLT	2							
26	2	119620-79340	BUSH, INSULATION	1							
27	2	119620-79350	NUT	2							
28	2	119620-79360	WASHER, THRUST	1							
29	1	26106-100452	BOLT, M10X 45 PLATED	1							
30	1	119940-77270	SPACER, GENERATOR	1							
31	1	119717-77340	ADJUSTER	1							
32	1	129972-77341	BOLT, ADJUSTER L=50	1							
33	1	26106-080202	BOLT, M8X 20 PLATED	1							
34	1	119650-77910	RELAY ASSY, GLOW	1							
37	1	129211-77920	TIMER	1							

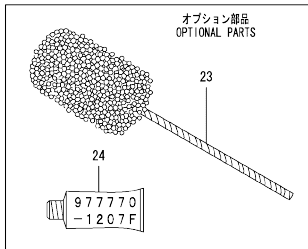
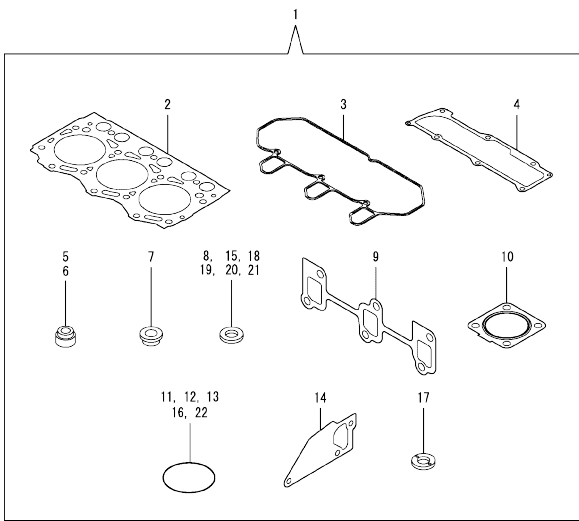
N:Old $\frac{100}{100}$ New, Q:Old $\frac{100}{100}$ New, R:Old $\frac{100}{100}$ New, S:Old $\frac{100}{100}$ New, W:Add, Z:Discontinued, F:Interchangeable by set, K:Q'ty Change
 Copyright (C) YANMAR CO., LTD. All Rights Reserved.

0CW10-M67100 3TNV76-PAMM
 Fig.16. GASKET SET

0CW10-M67100 Fig.16

(A)=3TNV76-PAMM
 (B)=
 (C)=

(D)=
 (E)=
 (F)=



No.	Lev.	Parts No.	Description	Q'ty						I	R
				(A)	(B)	(C)	(D)	(E)	(F)		
1	1	719717-92630	GASKET SET	1							1
2	2	119717-01330	GASKET, HEAD	1							
3	2	119718-11310	GASKET, BONNET	1							
4	2	119717-11331	GASKET	1							
5	2	119717-11340	SEAL, VALVE STEM	3							
6	2	119717-11350	SEAL, VALVE STEM	3							
7	2	129901-11450	PROTECTOR, NOZZLE	3							
8	2	119600-11460	GASKET, NOZZLE	6							
9	2	119717-13110	GASKET	1							
10	2	119515-13200	GASKET, SILENCER	1							
11	2	119624-32040	O-RING, P12.0	1							
12	2	119717-32050	O-RING, P17.0	3							
13	2	119717-32060	O-RING, P15.0	1							
14	2	119717-42020	GASKET, WATER PUMP	1							
15	2	124465-44950	GASKET, 16	2							
16	2	121850-51960	O-RING	1							
17	2	129901-59560	GASKET	3							
18	2	22190-080002	WASHER, SEAL 6	4							
19	2	22190-120002	WASHER, SEAL 12	4							
20	2	22190-160002	WASHER, SEAL 16	1							
21	2	23414-080000	GASKET, 8X1.0	1							
22	2	24311-000320	O-RING, 1AP32.0	2							
23	1	129400-92420	FLEX HORN	1							1
24	1	977770-1207F	GASKET, LIQUID	1							1

Remarks
 (1)Optional parts.

N:Old $\frac{New}{100}$ New, Q:Old $\frac{New}{100}$ New, R:Old $\frac{New}{100}$ New, S:Old $\frac{New}{100}$ New, W:Add, Z:Discontinued, F:Interchangeable by set, K:Q'ty Change
 Copyright (C) YANMAR CO., LTD. All Rights Reserved.

Parts No. Index

Parts No.	Fig. No.	Ref. No.
101304-59020	13	2
101720-55750	13	27
102103-55520	13	9
		22
103854-39140	13	1
104200-55321	13	18
104200-55330	13	14
		19
104200-55341	13	20
104200-55750	13	16
		28
105010-11490	4	3
105311-01090	1	5
105425-01690	3	9
110250-55610	13	10
		23
114110-07760	13	4
114250-39450	8	11
118200-53010	12	2
119125-51370	10	48
119131-18320	5	6
119225-52102	13	5
119233-77932	11	132
119255-44660	9	41
119285-01990	1	8
119285-11990	4	11
119305-35170	8	17
119515-13200	5	8
	16	10
119515-59581	12	42
119515-61440	11	21
119515-61550	11	88
119540-59570	12	39
119600-11460	4	2
	16	8
119620-01750	3	3
119620-02020	1	9
119620-11280	4	26
119620-14200	6	1
119620-21941	7	13
119620-59700	12	43
119620-77380	15	3
119620-77421	15	6
119620-77440	15	11
119620-77461	15	13
119620-77471	15	14
119620-77480	15	19
119620-77490	15	15
119620-79200	15	7
119620-79210	15	8

Parts No.	Fig. No.	Ref. No.
119620-79220	15	9
119620-79230	15	10
119620-79250	15	5
119620-79260	15	17
119620-79280	15	20
119620-79290	15	21
119620-79300	15	22
119620-79310	15	23
119620-79320	15	24
119620-79330	15	25
119620-79340	15	26
119620-79350	15	27
119620-79360	15	28
119621-21681	7	12
119623-01250	1	6
119624-32040	2	18
	16	11
119626-07900	4	54
119629-49080	9	47
119636-21580	7	8
119650-77910	15	34
119660-01911	2	17
119660-61901	11	65
119717-01330	1	27
	16	2
119717-01501	2	1
119717-01521	2	5
119717-01570	2	2
119717-01601	3	2
119717-01720	3	7
119717-01750	2	16
119717-01770	3	8
119717-01800	2	7
119717-02411	1	12
119717-02930	1	23
119717-03031	4	36
119717-03070	4	37
		38
119717-11101	4	13
119717-11110	4	14
119717-11131	4	15
119717-11190	4	17
119717-11200	4	21
119717-11240	4	22
119717-11260	4	25
119717-11320	4	46
119717-11331	4	47
	16	4
119717-11340	4	18
	16	5

Parts No.	Fig. No.	Ref. No.
119717-11350	4	19
	16	6
119717-11381	4	35
119717-11650	4	27
119717-11740	4	4
119717-11800	4	60
119717-13110	5	2
	16	9
119717-13600	5	3
119717-14400	6	2
119717-14581	6	3
119717-21200	7	4
119717-21650	7	11
119717-21700	7	1
119717-22080	7	14
119717-22090	7	31
119717-22300	7	20
119717-22500	7	16
119717-22550	7	33
119717-23000	7	22
119717-23200	7	25
119717-23601	7	26
119717-23611	7	29
119717-23910	7	28
119717-25050	6	9
119717-25101	6	10
119717-25911	6	16
119717-25930	6	15
119717-32050	2	19
	16	12
119717-32060	8	5
	16	13
119717-32080	2	9
119717-32100	2	8
119717-32110	2	13
119717-32120	2	14
119717-34801	8	1
119717-35080	8	6
119717-35140	8	3
119717-39210	8	12
119717-42002	9	1
119717-42020	9	13
	16	14
119717-42031	9	3
119717-42041	9	4
119717-42320	9	9
119717-44740	9	19
119717-49800	9	23
119717-51030	10	5
119717-51060	10	6

Parts No.	Fig. No.	Ref. No.
119717-51070	10	7
119717-51150	10	13
119717-51190	10	15
119717-51200	10	16
119717-51300	10	43
119717-51330	10	46
119717-51420	10	51
119717-51480	10	91
119717-51490	10	92
119717-51500	10	64
119717-51570	10	70
119717-51711	10	76
119717-51750	10	77
119717-51761	10	78
119717-51860	10	80
119717-53001	12	1
119717-53010	12	3
119717-59510	12	32
119717-59810	12	20
119717-59820	12	24
119717-59830	12	28
119717-61050	11	2
119717-61060	11	3
119717-61070	11	4
119717-61100	11	5
119717-61120	11	8
119717-61130	11	9
119717-61140	11	10
119717-61150	11	11
119717-61201	11	70
119717-61400	11	14
119717-61500	11	30
119717-77010	14	1
119717-77340	15	31
119717-77800	4	58
119717-77820	4	59
119718-11310	4	45
	16	3
119734-01590	2	3
119740-13100	5	1
119740-42350	9	17
119740-49060	9	43
119740-51100	10	9
119740-55600	13	6
119802-03100	4	39
119802-03110	4	40
119802-03121	4	41
119802-03131	4	42
119802-03141	4	43
119802-13620	5	4

Parts No. Index

Parts No.	Fig. No.	Ref. No.	Parts No.	Fig. No.	Ref. No.	Parts No.	Fig. No.	Ref. No.	Parts No.	Fig. No.	Ref. No.
119802-32130	2	15	129100-01580	3	1	129900-32130	2	10	23418-060000	13	30
119802-44600	9	32		7	2	129901-11450	4	1	23857-030000	8	15
119802-49010	9	42	129100-51560	10	69		16	7	23876-005000	4	12
119810-01200	1	26	129100-51570	10	71	129901-53800	12	4	23876-030000	2	6
119810-02941	1	34	129100-52200	10	96	129901-59560	12	38	23887-100002	11	82
119810-55340	13	7	129100-61650	11	59		16	17	24101-060034	10	84
119810-55650	13	12	129107-44590	9	31	129916-49740	9	10	24101-063034	10	85
119813-44510	9	34	129150-11230	4	28	129972-77341	15	32	24311-000320	2	29
119813-59950	12	44	129150-11750	4	30	158552-61700	11	60		4	51
119865-21600	7	10	129150-25301	6	14	158552-61710	11	64		16	22
119940-77270	15	30	129150-49080	9	45	158552-61900	11	77	24311-240100	13	15
119C10-42320	9	9 -1	129150-49100	9	44	158600-51170	10	14			31
119E10-42000	9	1 -1	129150-59120	12	15	158600-51270	10	40	24316-000150	10	86
121111-21501	7	7	129150-59131	12	18	158600-51410	10	50	24341-000070	11	67
121250-44901	9	27	129155-51020	10	4	158600-51420	10	52	26014-060122	9	33
121250-55620	13	11	129155-51140	10	12	158600-51442	10	53	26022-050122	10	87
121254-55510	13	8	129155-51280	10	41	158600-51570	10	72	26022-060162	10	88
121257-55720	13	24		42		158600-51790	10	79	26106-050102	10	89
121257-55731	13	25		11	6	158601-61710	11	122	26106-060102	8	10
121267-44760	9	20	129155-51400	10	49	171001-42290	9	18		11	68
121450-42450	9	26	129155-51450	10	59	171081-55910	13	29			83
121450-44531	9	36	129155-51521	10	65	171353-61700	11	121	26106-060122	2	21
121470-44581	9	38	129155-51530	10	66	174307-51700	11	31		6	8
121520-34810	8	2	129155-51540	10	67	22190-080002	8	14	26106-060142	11	84
121550-49111	9	25	129155-51550	10	68		16	16	26106-060162	2	22
121850-51960	2	20	129155-51580	10	73		16	18	26106-060202	4	52
	16	16	129155-51591	10	74	22190-100002	11	79		11	85
122710-51090	10	8	129155-51600	10	20	22190-120002	11	80	26106-060302	9	21
123501-79240	15	4	129155-51701	10	75		12	50	26106-060352	6	13
123900-13620	5	5	129155-52051	10	95		13	3	26106-060402	2	23
124060-01050	1	4	129155-61341	11	75		16	19			24
124064-55510	13	21	129155-61450	11	22	22190-160002	3	11	26106-060452	11	86
124066-59100	12	40	129155-61460	11	76		10	81	26106-060602	2	25
124085-02220	3	4	129155-61480	11	24		16	20	26106-060652	2	26
124160-01751	2	28	129156-61460	11	23	22217-120000	10	82	26106-060752	4	53
	4	34	129209-61370	11	12	22242-000120	4	31	26106-080122	3	12
124160-01910	1	7	129209-61920	11	78	22252-000220	7	21		9	15
124450-44550	9	40	129209-61930	11	130	22272-000030	11	66	26106-080142	4	56
124450-44560	9	37	129209-61970	11	131	22351-050010	10	83	26106-080162	4	57
124465-44950	9	28	129211-77920	15	37	22351-060012	4	20	26106-080202	9	24
	16	15	129240-79300	15	12	22372-040000	11	81		15	33
124550-51350	10	47	129255-52000	10	94	22512-040120	7	5	26106-080302	3	13
129001-32320	2	11	129335-55700	13	17	22857-500100	4	48	26106-080402	4	33
129001-32330	2	12	129350-49530	9	22			49	26106-080452	3	14
129004-44500	9	30	129400-92420	16	23	22857-500160	4	50	26106-080502	3	15
129005-59830	8	13	129423-77200	15	1	23010-038000	9	49		9	16
129008-61301	11	74	129423-77710	15	16	23065-070180	9	39	26106-100252	14	35
129052-61390	11	13	129486-61540	11	49	23414-080000	9	14	26106-100452	15	29
129052-79270	15	18	129508-11180	4	16		16	21	26206-100252	3	5
			129900-07900	4	55	23414-120016	11	133	26206-100302	3	6

Parts No. Index

Parts No.	Fig. No.	Ref. No.
26306-080002	2	27
	5	7
26366-080002	11	69
26577-060122	9	11
26716-120002	10	90
26756-060002	11	87
26979-050162	4	32
27241-120000	1	13
27241-250000	9	12
719717-01561	1	1
719717-02901	1	28
719717-02911	1	31
719717-92630	16	1
719734-01500	2	4
719744-51420	10	1
977770-1207F	16	24
X0280210331	14	23
X0280335350	14	33
X0280626010	14	12
X0280996180	14	3
X0281007750	14	2
X0282005991	14	6
X0283006960	14	7
X0284105040	14	13
X0284525010	14	27
X0285007030	14	10
X0285105190	14	4
X0285205030	14	5
X0286105010	14	15
X0286305010	14	17
X0286355010	14	18
X0287405140	14	19
X0534007800	14	20
X1289510130	14	34
X4284001590	14	8
X9055715000	14	21
X9490065670	14	32
X9490138090	14	25
X9490138100	14	26
X9490138110	14	24
X9490423420	14	30
X9490560750	14	29
X9490561001	15	2
X9490562360	14	28
X9490721360	14	22
X9491034320	14	16
X9491034330	14	14
X9491040990	14	11
X9491050100	14	9

Parts No.	Fig. No.	Ref. No.
-----------	----------	----------

Parts No.	Fig. No.	Ref. No.
-----------	----------	----------

Parts No.	Fig. No.	Ref. No.
-----------	----------	----------