

0CW10-M18600EN

PREFACE

1. This parts catalog is the 1st edition of 3TNV70-HMG for Mase Ltd.

Pub.No. : 000Y00W1860

Published : June,2007

Directions for the Parts Catalog.

1. This Parts Catalog shows both standard and optional parts.
2. Parts may change without prior notice.
3. The following is an example of the Parts Catalog format.

REF.	LEV.	PARTS NO.	DESCRIPTION	Q'TY						I	R
				(A)	(B)	(C)	(D)	(E)	(F)		
1	1	729595-51390	FUEL INJECTION PUMP	1	1	1	1	1			1
1-1	1	729595-51391	FUEL INJECTION PUMP	1	1	1	1	1		N	1
		(A=E00185) (B=E00200)									
3	2	26022-060162	SCREW M 6X 16	9	9	9	9	9			
3-1	2	26022-060162	SCREW M 6X 16	4	4	4	4	4		K	
		(A=E00156) (B=E00156) (C=E00156) (D=E00156) (E=E00156)									
4	2	129470-51040	CAMSHAFT	1	1	1	1	1			
5	2	122710-51050	BEARING, ROLLER	2	2	2	2	2			
6	2	129470-51060	RETAINER	1	1	1	1	1			

Remarks
(1) BOOST COMPEMSATOR TYPE. OPTIONAL PART, TO E00155,(4JH-DT, 4JH-DTZ

① Ref. No.

The Ref. No. listed may not be in accordance with the illustration Ref. No.

(Ex.) Illustration No.

List Ref No.

1 1 (Before change) → 1-1 (After change)

For interchangeable symbols N, R and K, illustrations for new parts may be abbreviated.

② Lev. (Level)

Level indication

The numbers below indicate the level of relativity towards the main part.

1 ---- Main parts (Assembly parts)

2 ---- Sub component included in " 1 ".

3 ---- Sub component included in " 2 ".

Note) Parts that are not for sale are partially illustrated but not listed.

③ Interchangeability Symbol

When a part change takes place, one of the following interchangeability symbols is indicated beside the part.

Symbol	Interchangeability	Contents note
N	Old $\begin{matrix} \leftarrow \text{Yes} \\ \text{No} \rightarrow \end{matrix}$ New	New Part is interchangeable for Old Part but Old Part is not interchangeable for New Part.
Q	Old $\begin{matrix} \leftarrow \text{No} \\ \text{Yes} \rightarrow \end{matrix}$ New	New Part is not interchangeable for Old Part but Old Part is interchangeable for New Part.
R	Old $\begin{matrix} \leftarrow \text{Yes} \\ \text{Yes} \rightarrow \end{matrix}$ New	New/ Old Parts are both interchangeable.
S	Old $\begin{matrix} \leftarrow \text{No} \\ \text{No} \rightarrow \end{matrix}$ New	New/ Old Parts are both not interchangeable.
W		Part newly added.
Z		Part discontinued.
F		Not interchangeable by a single part but interchangeable together with related parts.
K		Changes only for used parts quantities.

④ Effective Machine No.

When a part changes, the effective Machine No. will be indicated in the (A)-(F) column.

Product Symbol	Product No.	Product Symbol	Product No.
C	Clutch No. Compressor No.	F	Machine No. (Agricultural Equip.)
D	Drive No.	M	Machine No.
E	Engine No.		

Note 1) A date may follow the symbol. (Ex.) 1996.01

Note 2) "XXXXX" and "ZZZZZ" are for parts that could not be predicted or for engine models that could not be identified.

Note 3) (A=E00185) is the E (Engine Serial Number) for the column (A) model (in this case 4JH-DT) after the parts design change.

⑤ Remarks

Figures or alphabets (symbols) are entered in the remarks column.

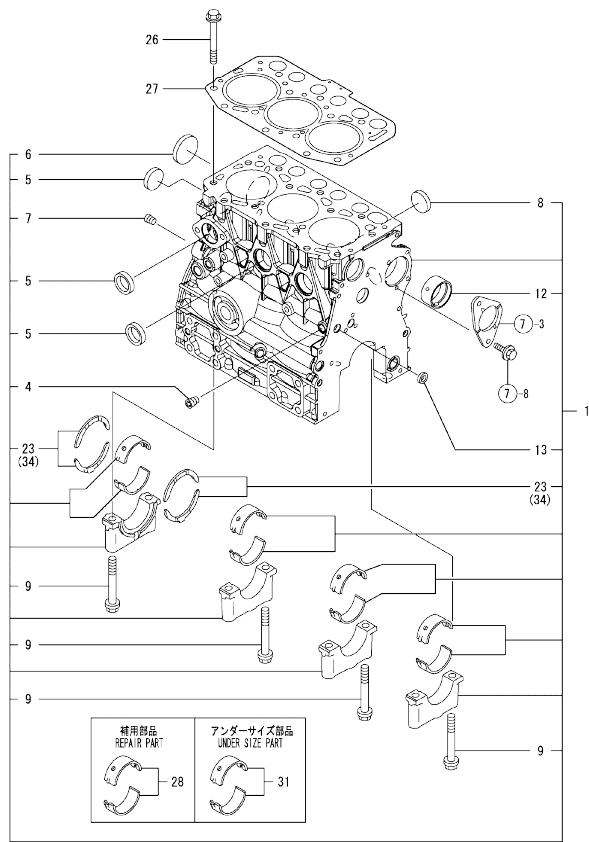
The comments (remarks) on parts that are indicated at the bottom of the illustration are the same symbols as those stated above.

Contents

0CW10-M18600

Fig. No.	Fig. Name	Fig. No.	Fig. Name
ENGINE SECTION (3TNV70-HMG)			
1.	CYLINDER BLOCK		
2.	GEAR HOUSING		
3.	FLYWHEEL HOUSING & OIL SUMP		
4.	CYLINDER HEAD & BONNET		
5.	AIR CLEANER		
6.	EXHAUST MANIFOLD		
7.	CAMSHAFT & DRIVING GEAR		
8.	CRANKSHAFT & PISTON		
9.	LUB.OIL SYSTEM		
10.	COOLING WATER SYSTEM		
11.	FUEL INJECTION PUMP		
12.	GOVERNOR		
13.	FUEL INJECTION VALVE		
14.	FUEL LINE		
15.	STARTING MOTOR		
16.	GENERATOR		
17.	GASKET SET		

Fig.1. CYLINDER BLOCK



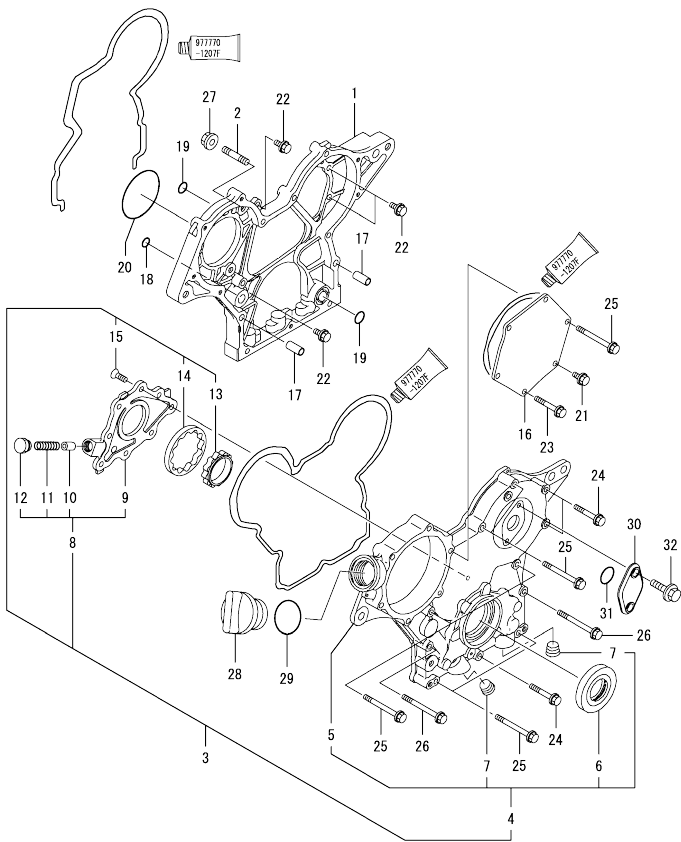
(A)=3TNV70-HMG
(B)=
(C)=

(D)=
(E)=
(F)=

No.	Lev.	Parts No.	Description	Q'ty						I	R
				(A)	(B)	(C)	(D)	(E)	(F)		
1	1	719515-01560	BLOCK ASSY, CYLINDER	1							
4	2	124060-01050	PLUG, PT1/8	1							
5	2	105311-01090	PLUG, 30	4							
6	2	119623-01250	PLUG, 45	1							
7	2	124160-01910	PLUG, PT1/4	1							
8	2	119285-01990	PLUG, 25	3							
9	2	119620-02020	BOLT, METAL CAP	8							
12	2	119717-02411	BUSH, CAMSHAFT	1							
13	2	27241-120000	PLUG, 12	1							
23	2	119717-02930	BEARING, THRUST	2							
26	1	119515-01200	BOLT, HEAD	14							
27	1	119515-01330	GASKET, HEAD	1							
28	1	719717-02901	BEARING, MAIN	4							1
31	1	719717-02911	BEARING, 0.25 US	4							2
34	1	119810-02941	BEARING, THRUST 0.25	2							3

Remarks
(1) REPAIR PART.
(2) UNDER-SIZED(U.S=0.25)PART.
(3) OVER-SIZED(O.S=0.25)PART.

Fig.2. GEAR HOUSING

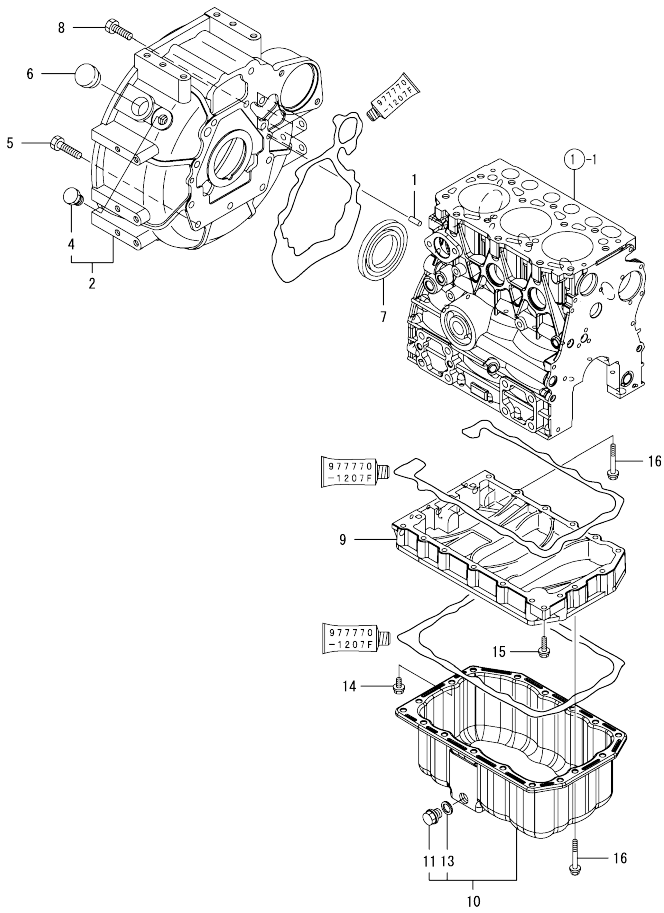


(A)=3TNV70-HMG
(B)=
(C)=

(D)=
(E)=
(F)=

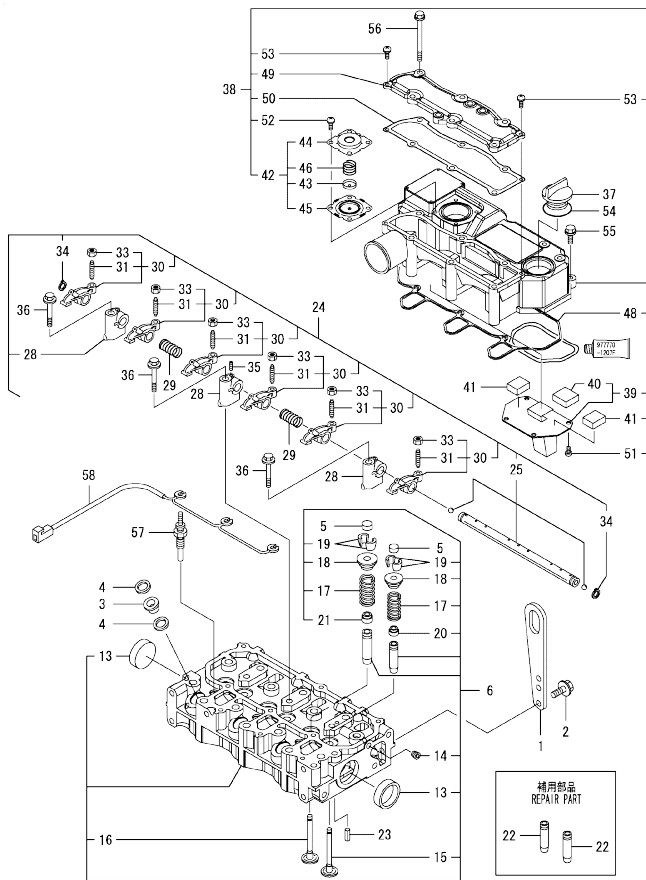
No.	Lev.	Parts No.	Description	Qty						I	R
				(A)	(B)	(C)	(D)	(E)	(F)		
1	1	119717-01501	CASE, GEAR	1							
2	1	119717-01570	STUD	3							
3	1	119734-01580	CASE ASSY, GEAR	1							
4	2	719734-01510	CASE ASSY, GEAR	1							
5	3	119744-01521	COVER, GEAR CASE	1							
6	3	119717-01800	SEAL, OIL	1							
7	3	23876-030000	PLUG, R03	2							
8	2	119717-32100	COVER ASSY	1							
9	3	119717-32080	COVER	1							
10	3	129900-32130	VALVE, RELIEF	1							
11	3	129001-32320	SPRING	1							
12	3	129001-32330	PLUG	1							
13	2	119717-32110	ROTOR, INNER	1							
14	2	119717-32120	ROTOR, OUTER	1							
15	2	119802-32130	SCREW, M6X16	8							
16	1	119717-01750	COVER	1							
17	1	119660-01911	PIPE, KNOCK	4							
18	1	119624-32040	O-RING, P12.0	1							
19	1	119717-32050	O-RING, P17.0	3							
20	1	121850-51960	O-RING	1							
21	1	26106-060122	BOLT, M6X 12 PLATED	1							
22	1	26106-060162	BOLT, M6X 16 PLATED	4							
23	1	26106-060402	BOLT, M6X 40 PLATED	4							
24	1	26106-060402	BOLT, M6X 40 PLATED	3							
25	1	26106-060602	BOLT, M6X 60 PLATED	7							
26	1	26106-060652	BOLT, M6X 65 PLATED	2							
27	1	26306-080002	NUT, M8	3							
28	1	124160-01751	COVER, FILLER	1							
29	1	24311-000320	O-RING, 1AP32.0	1							
30	1	121023-01551	COVER	1							
31	1	24341-000240	O-RING, 1AS24.0	1							
32	1	26106-060162	BOLT, M6X 16 PLATED	2							

Fig.3. FLYWHEEL HOUSING & OIL SUMP



No.	Lev.	Parts No.	Description	Q'ty						I	R
				(A)	(B)	(C)	(D)	(E)	(F)		
1	1	129100-01580	PIN, M8X16		2						
2	1	119717-01611	HOUSING, FLYWHEEL	1							
4	2	129486-35210	PLUG, 3/4-16UNF	1							
5	1	121120-01620	BOLT, M10X28	3							
6	1	119620-01750	CAP	1							
7	1	124085-02220	SEAL, OIL	1							
8	1	26206-100252	BOLT, M10X 25 PLATED	8							
9	1	119515-01720	SPACER, OIL SUMP	1							
10	1	119546-01770	SUMP ASSY, OIL	1							
11	2	105425-01690	PLUG, 16	1							
13	2	22190-160002	WASHER, SEAL 16	1							
14	1	26106-060122	BOLT, M6X 12 PLATED	1							
15	1	26106-060252	BOLT, M6X 25 PLATED	1							
16	1	26106-060452	BOLT, M6X 45 PLATED	17							

0CW10-M18600 ENGINE SECTION (3TNV70-HMG)
 Fig.4. CYLINDER HEAD & BONNET



0CW10-M18600 Fig.4

(A)=3TNV70-HMG
 (B)=
 (C)=

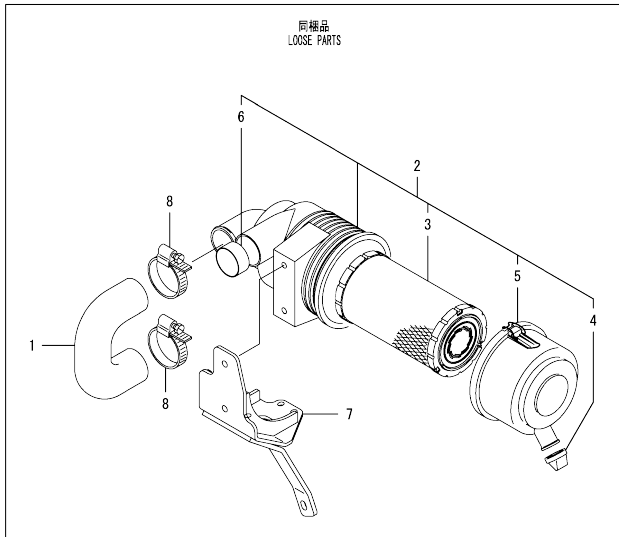
(D)=
 (E)=
 (F)=

No.	Lev.	Parts No.	Description	Q'ty						I	R
				(A)	(B)	(C)	(D)	(E)	(F)		
1	1	129900-07900	LIFTER	1							
2	1	26106-080162	BOLT, M8X 16 PLATED	2							
3	1	129901-11450	PROTECTOR, NOZZLE	3							
4	1	119600-11460	GASKET, NOZZLE	6							
5	1	105010-11490	CAP, VALVE	6							
6	1	119515-11750	HEAD ASSY, CYLINDER	1							
13	2	119285-11990	PLUG, 35	2							
14	2	23876-005000	PLUG, R005	1							
15	2	119515-11101	VALVE, INTAKE	3							
16	2	119515-11110	VALVE, EXHAUST	3							
17	2	119717-11131	SPRING, VALVE	6							
18	2	129508-11180	RETAINER, SPRING	6							
19	2	119717-11190	COTTER	12							
20	2	119717-11340	SEAL, VALVE STEM	3							
21	2	119717-11350	SEAL, VALVE STEM	3							
22	1	119515-11800	GUIDE, VALVE	6							1
23	1	22351-060012	PIN, SPRING 6.0X12	2							
24	1	119515-11200	SUPPORT ASSY, ARM	1							
25	2	119515-11240	SHAFT ASSY, ROCKER	1							
28	2	119717-11260	SUPPORT, ROCKER ARM	3							
29	2	119515-11280	SPRING	2							
30	2	119717-11650	ARM, ROCKER	6							
31	3	129150-11230	SCREW, VALVE ADJUST	6							
33	3	129150-11750	NUT, M8	6							
34	2	2242-000120	RING, 12	2							
35	2	26979-050162	SCREW, M5X16	1							
36	1	26106-080402	BOLT, M8X 40 PLATED	3							
37	1	124160-01751	COVER, FILLER	1							
38	1	119515-11380	BONNET ASSY, HEAD	1							
39	2	119717-03031	PLATE	1							
40	3	119717-03070	BAFFLE, BREATHER	1							
41	2	119717-03070	BAFFLE, BREATHER	2							
42	2	119802-03100	DIAPHRAGM ASSY	1							
43	3	119802-03110	PLATE	1							
44	3	119802-03121	COVER, DIAPHRAGM	1							
45	3	119802-03131	DIAPHRAGM	1							
46	3	119802-03141	SPRING, DIAPHRAGM	1							
48	2	119515-11310	GASKET, BONNET	1							
49	2	119515-11320	COVER, BONNET	1							
50	2	119515-11330	GASKET	1							
51	2	22857-500100	SCREW, 5X10	4							
52	2	22857-500100	SCREW, 5X10	4							
53	2	22857-500160	SCREW, 5X16	2							
54	1	24311-000320	O-RING, 1AP32.0	1							
55	1	26106-060202	BOLT, M6X 20 PLATED	3							
56	1	26106-060752	BOLT, M6X 75 PLATED	6							
57	1	119717-77800	PLUG, GLOW	3							
58	1	119717-77820	CONNECTOR, GLOW PLUG	1							

Remarks
 (1) REPAIR PART.

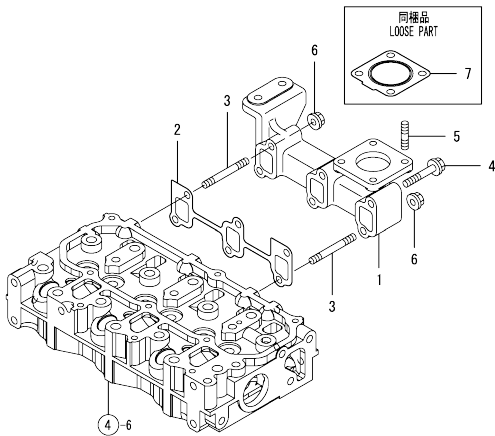
N:Old $\frac{100}{100}$ New, Q:Old $\frac{100}{100}$ New, R:Old $\frac{100}{100}$ New, S:Old $\frac{100}{100}$ New, W:Add, Z:Discontinued, F:Interchangeable by set, K:Q'ty Change
 Copyright (C) YANMAR GLOBAL CS CO., LTD. All Rights Reserved.

Fig.5. AIR CLEANER



No.	Lev.	Parts No.	Description	Q'ty					
				(A)	(B)	(C)	(D)	(E)	(F)
1	1	119761-12020	PIPE, AIR INTAKE	1					
2	1	119515-12501	CLEANER ASSY, AIR	1					
3	2	119515-12520	ELEMENT	1					
4	2	119808-12540	VALVE, UNLOADER	1					
5	2	119336-12570	COVER ASSY	1					
6	2	105027-12580	RING	1					
7	1	119515-12600	BRACKET, AIR CLEANER	1					
8	1	23000-054000	CLAMP, 54	2					

Fig.6. EXHAUST MANIFOLD

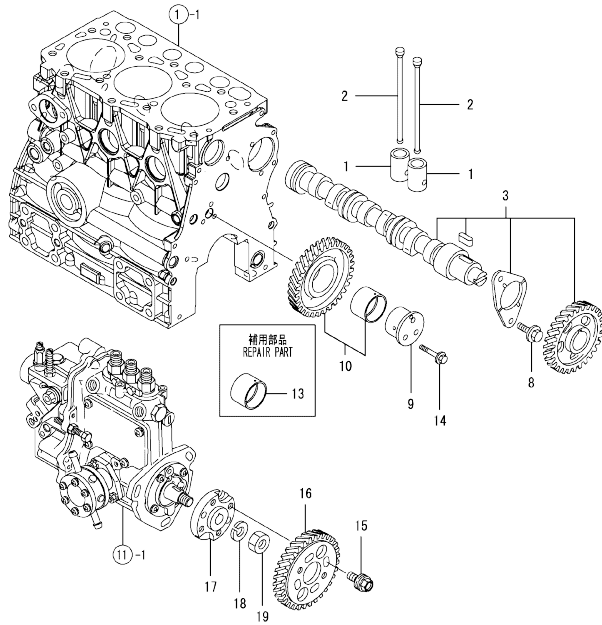


No.	Lev.	Parts No.	Description	Q'ty					
				(A)	(B)	(C)	(D)	(E)	(F)
1	1	119717-13109	MANIFOLD, EXHAUST	1					
2	1	119717-13110	GASKET	1					
3	1	119717-13600	STUD, M8X50	2					
4	1	119802-13620	BOLT, M8X50	4					
5	1	119131-18320	STUD, M8X22	4					
6	1	26306-080002	NUT, M8	2					
7	1	119515-13200	GASKET, SILENCER	1					

Fig.7. CAMSHAFT & DRIVING GEAR

(A)=3TNV70-HMG
(B)=
(C)=

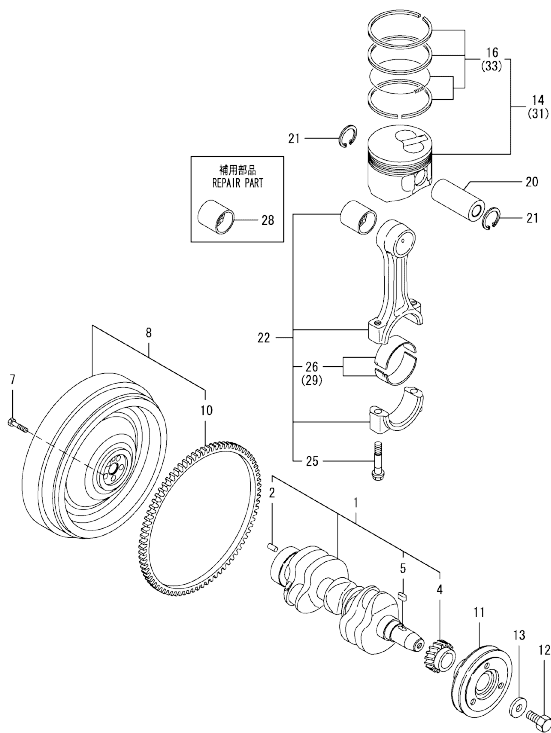
(D)=
(E)=
(F)=



No.	Lev.	Parts No.	Description	Q'ty						I	R
				(A)	(B)	(C)	(D)	(E)	(F)		
1	1	119620-14200	TAPPET	6							
2	1	119515-14400	ROD, PUSH	6							
3	1	119515-14581	CAMSHAFT ASSY	1							
8	1	26106-060122	BOLT, M6X 12 PLATED	2							
9	1	119717-25050	SHAFT, IDLE	1							
10	1	119717-25101	GEAR ASSY, IDLE	1							
13	1	119717-25911	BUSH, IDLE GEAR	1							1
14	1	26106-060352	BOLT, M6X 35 PLATED	3							
15	1	129150-25301	BOLT	4							
16	1	119717-25930	GEAR, PUMP	1							
17	1	119717-51150	FLANGE	1							
18	1	22217-120000	WASHER, SPRING 12	1							
19	1	26716-120002	NUT, M12	1							

Remarks
(1) REPAIR PART.

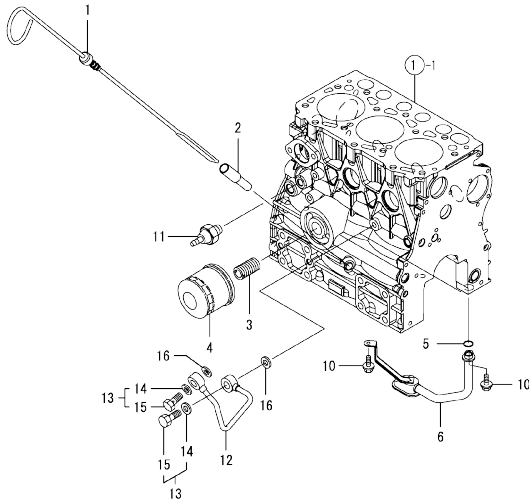
Fig.8. CRANKSHAFT & PISTON



No.	Lev.	Parts No.	Description	Q'ty						I	R
				(A)	(B)	(C)	(D)	(E)	(F)		
1	1	119515-21700	CRANKSHAFT ASSY	1							
2	2	129100-01580	PIN, M8X16	1							
4	2	119717-21200	GEAR, CRANKSHAFT	1							
5	2	22512-040120	KEY, 4X 12	1							
7	1	121111-21501	BOLT, FLYWHEEL	5							
8	1	119746-21570	FLYWHEEL ASSY	1							
10	2	119865-21600	GEAR, RING	1							
11	1	119717-21650	V-PULLEY	1							
12	1	119621-21680	BOLT, FLANGE 12X1.25	1							
13	1	119620-21941	WASHER	1							
14	1	119515-22080	PISTON ASSY	3							
16	2	119515-22500	RING SET, PISTON	3							
20	1	119515-22300	PIN, PISTON	3							
21	1	22252-000220	RING, 22	6							
22	1	119515-23000	ROD ASSY, CONNECTING	3							
25	2	119717-23200	BOLT, CONNECTING ROD	6							
26	2	119515-23601	BEARING, CRANK PIN	3							
28	1	119717-23910	BEARING, PISTON PIN	3							1
29	1	119515-23611	METAL ASSY, 0.25	3							2
31	1	119515-22900	PISTON ASSY, 0.25 OS	3							3
33	2	119515-22550	RING SET, 0.25 OS	3							3

Remarks
 (1) REPAIR PART.
 (2) UNDER-SIZED(U.S=0.25)PART.
 (3) OVER-SIZED(O.S=0.25)PART.

Fig.9. LUB.OIL SYSTEM

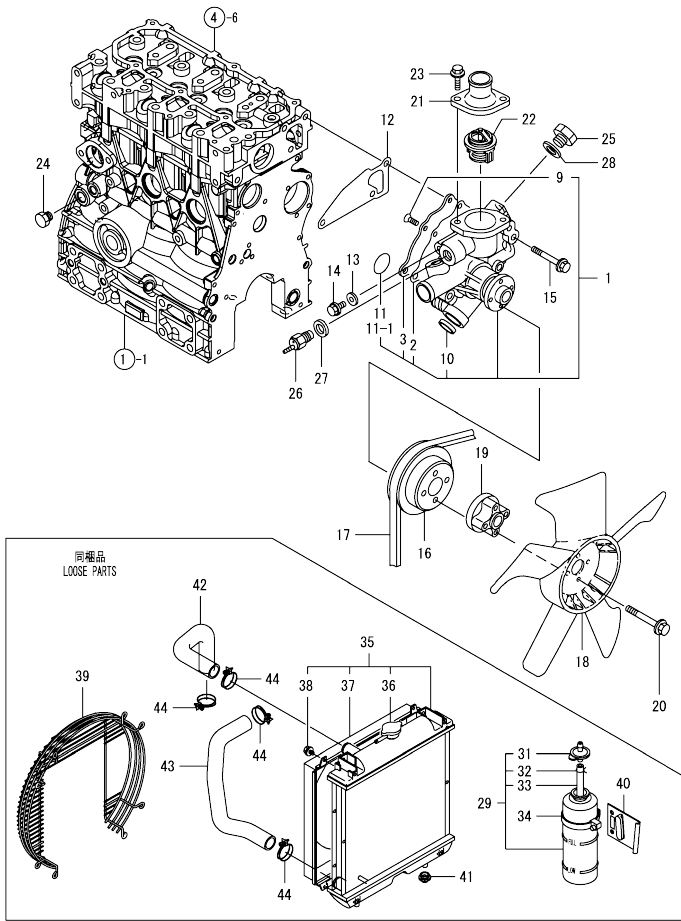


No.	Lev.	Parts No.	Description	Q'ty					
				(A)	(B)	(C)	(D)	(E)	(F)
1	1	119546-34801	DIPSTICK, OIL	1					
2	1	121520-34810	GUIDE, DIPSTICK	1					
3	1	129100-35140	STUD	1					
4	1	119305-35151	FILTER ASSY, D68XL65	1					1
5	1	119717-32060	O-RING, P15.0	1					
6	1	119546-35080	PIPE ASSY, OIL INLET	1					
10	1	26106-060102	BOLT, M6X 10 PLATED	2					
11	1	114250-39450	SWITCH, 0.5KG	1					
12	1	119717-39210	PIPE, OIL	1					
13	1	129005-59830	BOLT ASSY, JOINT M8	2					
14	2	22190-080002	WASHER, SEAL 6	2					
15	2	23857-030000	BOLT, JOINT 3	2					
16	1	22190-080002	WASHER, SEAL 6	2					

Remarks
(1) REPAIR PART.

0CW10-M18600 ENGINE SECTION (3TNV70-HMG)
 Fig.10. COOLING WATER SYSTEM

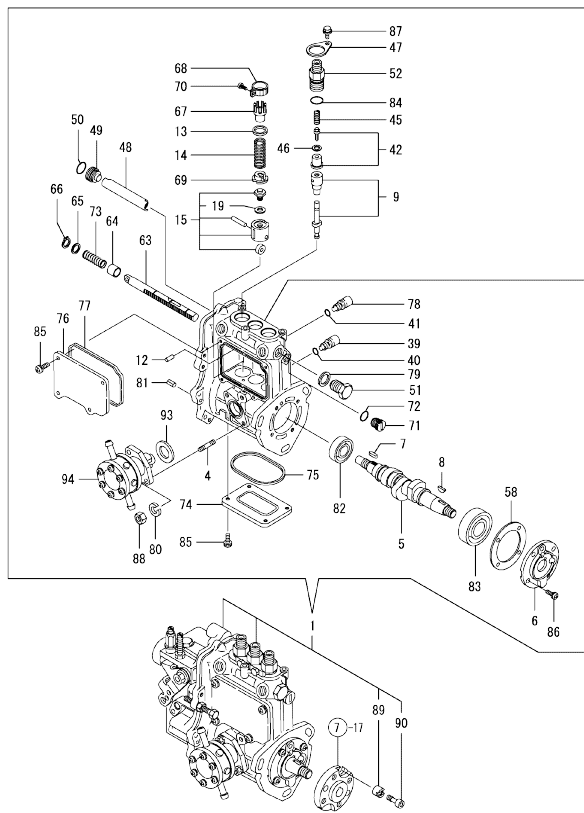
0CW10-M18600 Fig.10



No.	Lev.	Parts No.	Description	Q'ty						I	R
				(A)	(B)	(C)	(D)	(E)	(F)		
1	1	119515-42001	PUMP ASSY, WATER	1							
1-1	1	119515-42002	PUMP ASSY, WATER	1							N
(A=2012.03.)											
2	2	119717-42031	GASKET	1							
3	2	119515-42041	COVER	1							
9	2	26577-060122	SCREW, M6X12	4							
10	2	27241-250000	PLUG, 25	1							
11	2	119717-42320	O-RING, P26	1							
11-1	2	119C10-42320	O-RING, 2028	1							S
(A=2012.03.)											
12	1	119515-42020	GASKET, WATER PUMP	1							
13	1	23414-080000	GASKET, 8X1.0	1							
14	1	26106-080122	BOLT, M8X 12 PLATED	1							
15	1	26106-080502	BOLT, M8X 50 PLATED	3							
16	1	119717-42350	V-PULLEY, D=100	1							
17	1	171001-42290	V-BELT, A35.5	1							
18	1	119265-44740	FAN, D=310X5F	1							
19	1	129457-44760	SPACER, FAN	1							
20	1	26106-060452	BOLT, M6X 45 PLATED	4							
21	1	129350-49530	COVER, THERMOSTAT	1							
22	1	119717-49800	THERMOSTAT, 71C	1							
23	1	26106-080202	BOLT, M8X 20 PLATED	2							
24	1	171056-49120	PLUG, DRAIN R1/4	1							
25	1	121450-42450	PLUG, M16	1							
26	1	121250-44901	SWITCH, THERMO 110	1							
27	1	124465-44950	GASKET, 16	1							
28	1	124465-44950	GASKET, 16	1							
29	1	124450-44510	TANK ASSY, SUB	1							
31	2	124450-44530	CAP, SUB-TANK	1							
32	2	124450-44560	CLAMP, HOSE	1							
33	2	23061-070230	PIPE, 7X 230	1							
34	1	124450-44550	BAND, SUB-TANK	1							
35	1	119515-44560	RADIATOR	1							
36	2	129107-44590	CAP, RADIATOR	1							
37	2	119515-44600	SHROUD	1							
38	2	26014-060122	BOLT, M6X 12	4							
39	1	119802-44560	GUARD	1							
40	1	121256-44600	BRACKET, SUB TANK	1							
41	1	119255-44660	ABSORBER	2							
42	1	119802-49010	HOSE, WATER	1							
43	1	119802-49020	PIPE, WATER	1							
44	1	23010-038000	CLAMP, 38	4							

N:Old $\frac{100}{100}$ New, Q:Old $\frac{100}{100}$ New, R:Old $\frac{100}{100}$ New, S:Old $\frac{100}{100}$ New, W:Add, Z:Discontinued, F:Interchangeable by set, K:Q'ty Change
 Copyright (C) YANMAR GLOBAL CS CO., LTD. All Rights Reserved.

Fig.11. FUEL INJECTION PUMP



Remarks
 (1) GOVERNOR ASSY(FIG.12) IS
 INCORPORATED IN THIS FUEL
 INJECTION PUMP.(REF.NO.1).

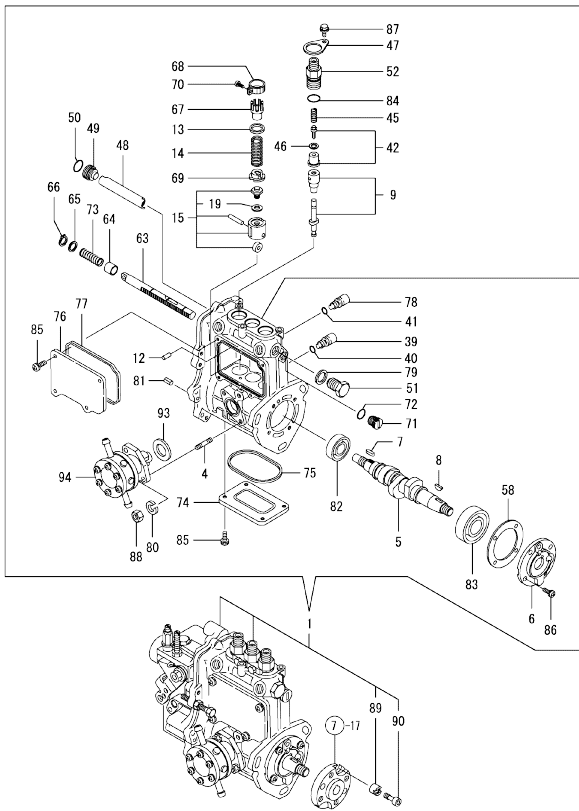
No.	Lev.	Parts No.	Description	Q'ty						I	R
				(A)	(B)	(C)	(D)	(E)	(F)		
1	1	719546-51360	PUMP ASSY, INJECTION	1							1
4	2	129155-51020	STUD	2							
5	2	119717-51030	CAMSHAFT	1							
6	2	119717-51060	SUPPORT, CAMSHAFT	1							
7	2	119717-51070	KEY	1							
8	2	122710-51090	KEY	1							
9	2	119415-51100	PLUNGER ASSY	3							
12	2	129155-51140	PIN	3							
13	2	158600-51170	RETAINER, SPRING	3							
14	2	119717-51190	SPRING, PLUNGER	3							
15	2	119717-51200	TAPPET ASSY	3							
19	3	129155-51600	SHIM SET, ADJUSTING	3							
39	2	158600-51270	STOPPER, TAPPET	3							
40	2	129155-51280	O-RING, S6	3							
41	2	129155-51280	O-RING, S6	1							
42	2	119717-51300	VALVE ASSY, DELIVERY	3							
45	2	119717-51330	SPRING, DELIVERY	3							
46	2	124550-51350	GASKET, DELIVERY	3							
47	2	118400-51370	LOCKING	3							
48	2	129155-51400	DEFLECTOR	1							
49	2	158600-51410	PLUG, DEFLECTOR	1							
50	2	119717-51420	O-RING	1							
51	2	158600-51420	PLUG, DEFLECTOR	1							
52	2	158600-51442	VALVE ASSY, DELIVERY	3							
58	2	129155-51450	SHIM SET, ADJUSTING	1							
63	2	119717-51500	RACK, CONTROL	1							
64	2	129155-51521	BUSH, RACK	1							
65	2	129155-51530	SPACER	1							
66	2	129155-51540	CIRCLIP	1							
67	2	129155-51550	PINION, CONTROL	3							
68	2	129100-51560	PINION	3							
69	2	119717-51570	RETAINER, SPRING	3							
70	2	129100-51570	SCREW	3							
71	2	158600-51570	PLUG	1							
72	2	129155-51580	O-RING	1							
73	2	129155-51591	SPRING, RACK	1							
74	2	129155-51701	COVER	1							
75	2	119717-51711	GASKET	1							
76	2	119717-51750	COVER	1							
77	2	119717-51761	GASKET	1							
78	2	158600-51790	STOOPER, RACK	1							
79	2	22190-160002	WASHER, SEAL 16	1							
80	2	22217-060000	WASHER, SPRING 6	2							
81	2	22351-050010	PIN, SPRING 5.0X10	2							
82	2	24101-060034	BEARING, BALL 6003	1							
83	2	24101-063034	BEARING, BALL 6303	1							
84	2	24316-000150	O-RING, 4DP15.0	3							
85	2	26022-050122	SCREW, M5X12	8							
86	2	26022-060162	SCREW, M6X16	4							
87	2	26106-050102	BOLT, M5X 10 PLATED	3							
88	2	26716-060002	NUT, M6	2							

N:Old $\frac{New}{Old}$ New, Q:Old $\frac{New}{Old}$ New, R:Old $\frac{New}{Old}$ New, S:Old $\frac{New}{Old}$ New, W:Add, Z:Discontinued, F:Interchangeable by set, K:Q'ty Change
 ++ CONTINUE ++
 Copyright (C) YANMAR GLOBAL CS CO., LTD. All Rights Reserved.

Fig.11. FUEL INJECTION PUMP

(A)=3TNV70-HMG
(B)=
(C)=

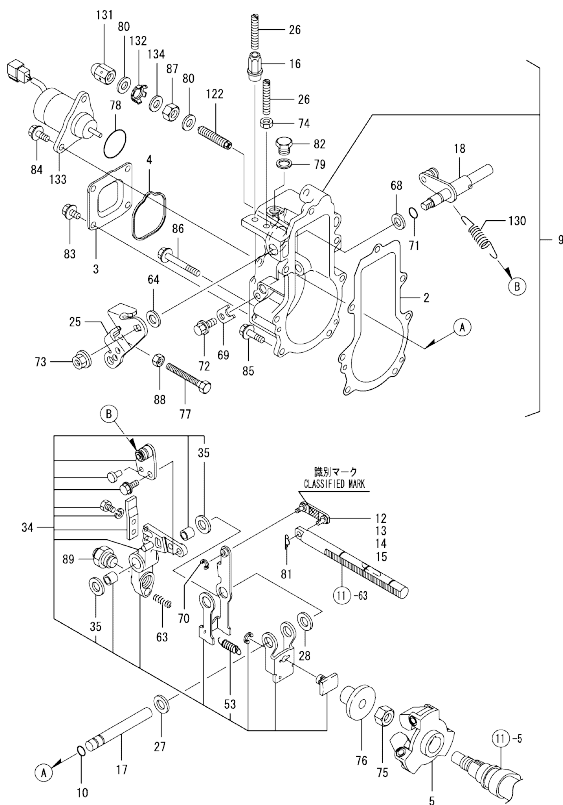
(D)=
(E)=
(F)=



No.	Lev.	Parts No.	Description	Q'ty					
				(A)	(B)	(C)	(D)	(E)	(F)
89	2	119717-51480	COLLAR	1					
90	2	119717-51490	BOLT	1					
93	2	129155-52051	GASKET	1					
94	2	129100-52101	PUMP ASSY, FUEL FEED	1					

Remarks
(1) GOVERNOR ASSY(FIG.12) IS INCORPORATED IN THIS FUEL INJECTION PUMP.(REF.NO.1).

Fig.12. GOVERNOR



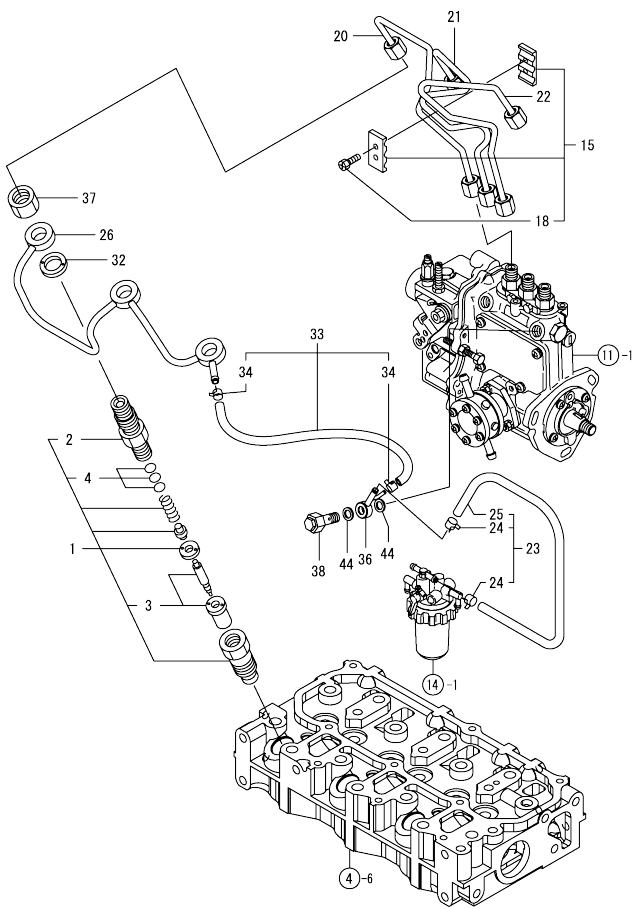
Remarks

* THIS FIGURE(GOVERNOR ASSY)IS INCORPORATED IN THE FUEL INJECTION PUMP ASSY(FIG.11).

(1) SELECTIVE PARTS:CERTAIN THE CLASSIFICATION MARK THEN PLACE YOUR ORDER.(REF.TO.ILLUSTRATION).

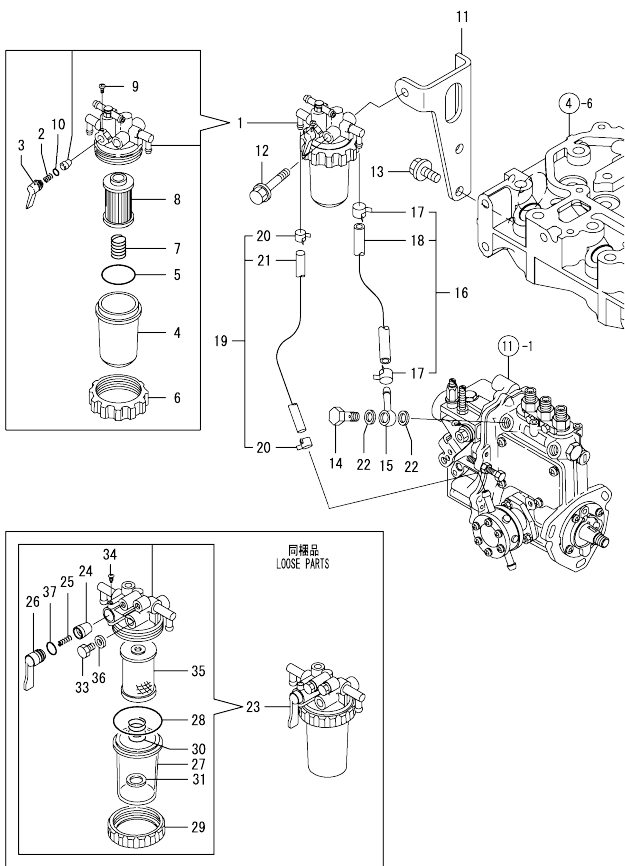
No.	Lev.	Parts No.	Description	Q'ty						I	R
				(A)	(B)	(C)	(D)	(E)	(F)		
2	2	119717-61050	GASKET	1							
3	2	119717-61060	COVER, GOVERNOR CASE	1							
4	2	119717-61070	GASKET	1							
5	2	119717-61200	WEIGHT ASSY,GOVERNOR	1							
9	2	119546-61300	CASE ASSY, GOVERNOR	1							
10	3	129155-51280	O-RING, S6	1							
12	3	119717-61120	LINK, MARK :3	1							1
13	3	119717-61130	LINK, MARK 98	1							1
14	3	119717-61140	LINK, MARK 88	1							1
15	3	119717-61150	LINK, MARK 03	1							1
16	3	129209-61370	NUT, M6	1							
17	3	129052-61390	SHAFT	1							
18	3	119717-61400	SHAFT ASSY	1							
25	3	119546-61440	LEVER, CONTROL	1							
26	3	129155-61450	BOLT, LIMITER	2							
27	3	129156-61460	SHIM, T=0.6	1							
28	3	129155-61480	SPACER ASSY	1							
34	3	119717-61500	LEVER ASSY, GOVERNOR	1							
35	4	174307-51700	SHIM SET	2							
53	4	129486-61540	SPRING, SET	1							
63	3	129100-61650	SPRING, CONTROLLER	1							
64	3	158552-61700	SHIM SET	1							
68	3	158552-61710	SHIM, T=1.0	1							
69	3	119660-61901	RETAINER, SHAFT	1							
70	3	22272-000030	RING, E-3	1							
71	3	24341-000070	O-RING, 1AS7.0	1							
72	3	26106-060102	BOLT, M6X 10 PLATED	1							
73	3	26366-080002	NUT, M8	1							
74	3	26756-060002	NUT, LOCK M6	1							
75	2	119660-61300	NUT	1							
76	2	129155-61341	SLEEVE	1							
77	2	129155-61460	BOLT, IDLE	1							
78	2	158552-61900	O-RING	1							
79	2	22190-100002	WASHER, SEAL 10	1							
80	2	22190-120002	WASHER, SEAL 12	2							
81	2	22372-040000	PIN, SNAP 4	1							
82	2	23887-100002	PLUG, 10	1							
83	2	26106-060102	BOLT, M6X 10 PLATED	4							
84	2	26106-060142	BOLT, M6X 14 PLATED	2							
85	2	26106-060202	BOLT, M6X 20 PLATED	4							
86	2	26106-060452	BOLT, M6X 45 PLATED	3							
87	2	26736-120002	NUT, M12	1							
88	2	26756-060002	NUT, LOCK M6	1							
89	2	119761-61560	ANGLEICH ASSY	1							
122	2	158601-61700	LIMITER ASSY, FUEL	1							
130	2	129500-61720	SPRING, GOVERNOR	1							
131	2	129209-61930	NUT, CAP	1							
132	2	129209-61970	PLATE	1							
133	2	119653-77950	SOLENOID, STOP	1							
134	2	23414-120016	GASKET, 12X1.0	1							

Fig.13. FUEL INJECTION VALVE



No.	Lev.	Parts No.	Description	Q'ty					
				(A)	(B)	(C)	(D)	(E)	(F)
1	1	119515-53001	VALVE ASSY,INJECTION	3					
2	2	118200-53010	HOLDER, NOZZLE	3					
3	2	119515-53010	VALVE ASSY,INJECTION	3					
4	2	129901-53800	SHIM SET, ADJUSTING	3					
15	1	129150-59120	RETAINER, PIPE	1					
18	2	129150-59131	BOLT, M4X14	2					
20	1	119546-59810	PIPE ASSY, INJECTION	1					
21	1	119546-59820	PIPE ASSY, INJECTION	1					
22	1	119546-59830	PIPE ASSY, INJECTION	1					
23	1	129210-59150	PIPE ASSY, FUEL	1					
24	2	124766-59050	CLIP, HOSE 12	2					
25	2	105025-59530	PIPE, FUEL D13X400	1					
26	1	119515-59540	PIPE ASSY, RETURN	1					
32	1	129901-59560	GASKET	3					
33	1	119540-59570	PIPE ASSY, RETURN	1					
34	2	124066-59100	CLIP, HOSE 8	2					
36	1	119840-59570	JOINT	1					
37	1	119620-59700	NUT, NOZZLE	3					
38	1	119813-59950	VALVE ASSY, CHECK	1					
44	1	22190-120002	WASHER, SEAL 12	2					

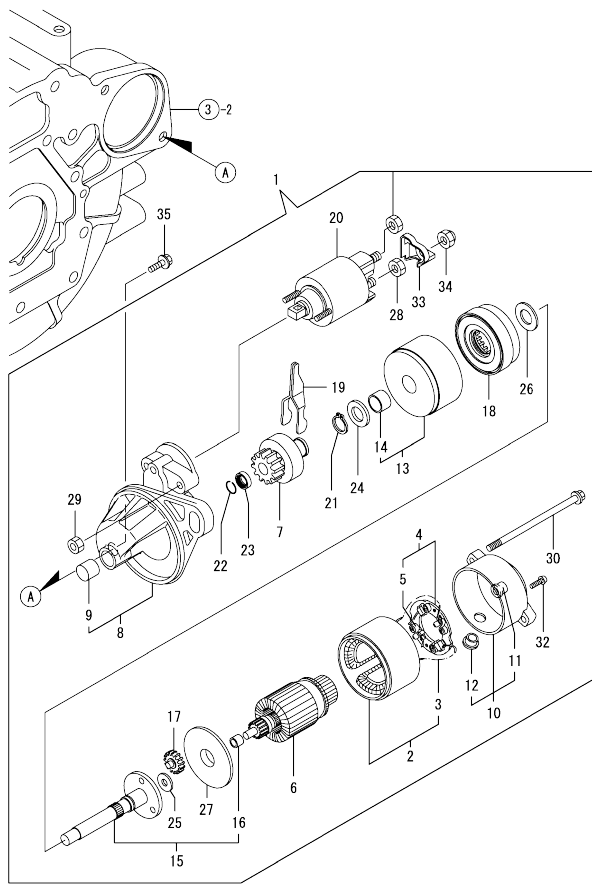
Fig.14. FUEL LINE



No.	Lev.	Parts No.	Description	Q'ty						I	R
				(A)	(B)	(C)	(D)	(E)	(F)		
1	1	119833-55620	FILTER ASSY, FUEL	1							
2	2	104200-55330	SPRING, VALVE	1							
3	2	119810-55340	LEVER	1							
4	2	121254-55510	COVER	1							
5	2	102103-55520	O-RING	1							
6	2	110250-55610	RING, RETAINING	1							
7	2	121250-55620	SPRING	1							
8	2	119810-55650	ELEMENT	1							
9	2	104200-55750	SCREW, M4	1							
10	2	24311-240100	O-RING, 1AP10A	1							
11	1	119717-55650	BRACKET, FILTER	1							
12	1	26014-080702	BOLT, M8X 70	1							
13	1	26106-080162	BOLT, M8X 16 PLATED	2							
14	1	103854-39140	BOLT, PIPE JOINT	1							
15	1	101304-59020	JOINT, PIPE 12	1							
16	1	129210-59080	PIPE ASSY, FUEL	1							
17	2	124766-59050	CLIP, HOSE 12	2							
18	2	129136-59110	PIPE, D13/7.5X270	1							
19	1	129210-59150	PIPE ASSY, FUEL	1							
20	2	124766-59050	CLIP, HOSE 12	2							
21	2	105025-59530	PIPE, FUEL D13X400	1							
22	1	22190-120002	WASHER, SEAL 12	2							
23	1	129335-55700	SEPARATOR ASSY, WATER	1							
24	2	104200-55321	VALVE, TAPER	1							
25	2	104200-55330	SPRING, VALVE	1							
26	2	104200-55341	HANDLE	1							
27	2	124064-55510	COVER	1							
28	2	102103-55520	O-RING	1							
29	2	110250-55610	RING, RETAINING	1							
30	2	121257-55720	SPRING	1							
31	2	121257-55731	FLOAT	1							
33	2	101720-55750	PLUG, 6	2							
34	2	104200-55750	SCREW, M4	1							
35	2	171081-55910	SCREEN	1							
36	2	23418-060000	GASKET, 6X1.0	2							
37	2	24311-240100	O-RING, 1AP10A	1							

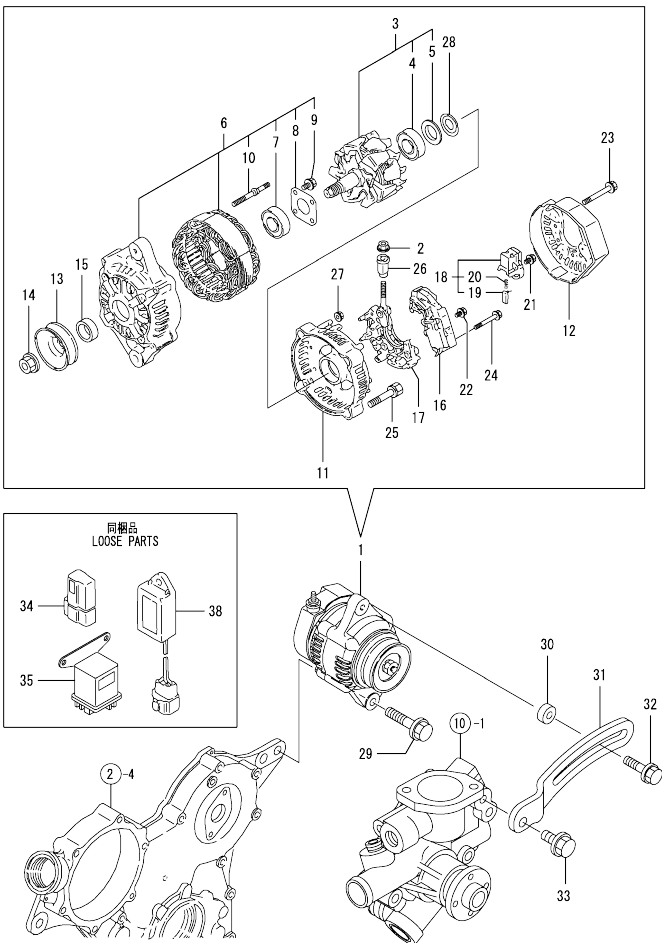
N:Old $\frac{100}{100}$ New, Q:Old $\frac{100}{100}$ New, R:Old $\frac{100}{100}$ New, S:Old $\frac{100}{100}$ New, W:Add, Z:Discontinued, F:Interchangeable by set, K:Q'ty Change
 Copyright (C) YANMAR GLOBAL CS CO., LTD. All Rights Reserved.

Fig.15. STARTING MOTOR



No.	Lev.	Parts No.	Description	Qty						I	R
				(A)	(B)	(C)	(D)	(E)	(F)		
1	1	119515-77010	STARTER	1							
2	2	X0281007680	YOKE ASSY	1							
3	3	X0280996180	STARTER KIT	2							
4	2	X0285105190	HOLDER ASSY	1							
5	3	X0285205030	SPRING	4							
6	2	X0282005871	ARMATURE ASSY	1							
7	2	X0283006960	CLUTCH ASSY	1							
8	2	X4284001590	HOUSING ASSY	1							
9	3	X9491050100	BEARING, NEEDLE	1							
10	2	X0285007030	FRAME ASSY	1							
11	3	X9491040990	BEARING	1							
12	3	X0280626010	COVER	1							
13	2	X0284105040	BEARING ASSY	1							
14	3	X9491034330	BEARING	1							
15	2	X0286105010	SHAFT ASSY	1							
16	3	X9491034320	BEARING	1							
17	2	X0286305010	GEAR	3							
18	2	X0286355010	GEAR	1							
19	2	X0287405140	LEVER	1							
20	2	X0534007800	SWITCH ASSY	1							
21	2	X9055715000	RING	1							
22	2	X9490721360	RING	1							
23	2	X0280210331	NUT	1							
24	2	X9490138110	WASHER	1							
25	2	X9490138090	WASHER	1							
26	2	X9490138100	WASHER	1							
27	2	X0284525010	PLATE	1							
28	2	X9490562360	NUT	1							
29	2	X9490560750	NUT	2							
30	2	X9490423520	BOLT, THROUGH	2							
32	2	X9490065670	SCREW, M4X6	2							
33	2	X0280335360	COVER, TERMINAL	1							
34	2	X1289510130	NUT	1							
35	1	26106-100252	BOLT, M10X 25 PLATED	2							

Fig.16. GENERATOR

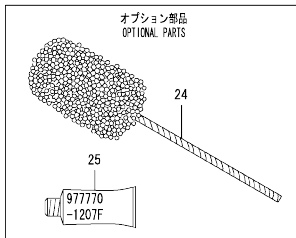
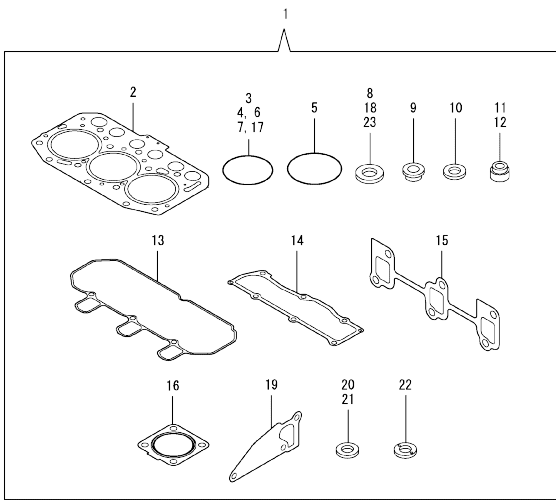


(A)=3TNV70-HMG
(B)=
(C)=

(D)=
(E)=
(F)=

No.	Lev.	Parts No.	Description	Q'ty						I	R
				(A)	(B)	(C)	(D)	(E)	(F)		
1	1	129423-77200	GENERATOR, 12V-40A	1							
2	2	X9490561001	NUT	1							
3	2	119620-77380	ROTOR ASSY	1							
4	3	123501-79240	BEARING, BALL	1							
5	3	119620-79250	COVER	1							
6	2	119620-77421	FRAME ASSY, DRIVE	1							
7	3	119620-79200	BEARING, BALL	1							
8	3	119620-79210	PLATE, RETAINER	1							
9	3	119620-79220	SCREW	4							
10	3	119620-79230	STUD	2							
11	2	119620-77440	FRAME ASSY	1							
12	2	129240-79300	COVER	1							
13	2	119620-77461	PULLEY	1							
14	2	119620-77471	NUT	1							
15	2	119620-77490	COLLAR	1							
16	2	129423-77710	REGULATOR ASSY	1							
17	2	119620-79260	HOLDER	1							
18	2	129052-79270	HOLDER, BRUSH	1							
19	3	119620-77480	BRUSH ASSY	2							
20	3	119620-79280	SPRING	2							
21	2	119620-79290	SCREW	6							
22	2	119620-79300	SCREW	1							
23	2	119620-79310	BOLT	3							
24	2	119620-79320	SCREW	2							
25	2	119620-79330	BOLT	2							
26	2	119620-79340	BUSH, INSULATION	1							
27	2	119620-79350	NUT	2							
28	2	119620-79360	WASHER, THRUST	1							
29	1	26106-100452	BOLT, M10X 45 PLATED	1							
30	1	119940-77270	SPACER, GENERATOR	1							
31	1	119717-77340	ADJUSTER	1							
32	1	129972-77341	BOLT, ADJUSTER L=50	1							
33	1	26106-080202	BOLT, M8X 20 PLATED	1							
34	1	119643-66900	DIODE	1							
35	1	119650-77910	RELAY ASSY, GLOW	1							
38	1	129211-77920	TIMER	1							

Fig.17. GASKET SET



Remarks
(1) OPTIONAL PART.

No.	Lev.	Parts No.	Description	Q'ty						I	R	
				(A)	(B)	(C)	(D)	(E)	(F)			
1	1	719515-92620	GASKET SET	1							1	
2	2	119515-01330	GASKET, HEAD	1								
3	2	119624-32040	O-RING, P12.0	1								
4	2	119717-32050	O-RING, P17.0	3								
5	2	121850-51960	O-RING	1								
6	2	24311-000320	O-RING, 1AP32.0	2								
7	2	24341-000240	O-RING, 1AS24.0	1								
8	2	22190-160002	WASHER, SEAL 16	1								
9	2	129901-11450	PROTECTOR, NOZZLE	3								
10	2	119600-11460	GASKET, NOZZLE	6								
11	2	119717-11340	SEAL, VALVE STEM	3								
12	2	119717-11350	SEAL, VALVE STEM	3								
13	2	119515-11310	GASKET, BONNET	1								
14	2	119515-11330	GASKET	1								
15	2	119717-13110	GASKET	1								
16	2	119515-13200	GASKET, SILENCER	1								
17	2	119717-32060	O-RING, P15.0	1								
18	2	22190-080002	WASHER, SEAL 6	4								
19	2	119515-42020	GASKET, WATER PUMP	1								
20	2	23414-080000	GASKET, 8X1.0	1								
21	2	124465-44950	GASKET, 16	2								
22	2	129901-59560	GASKET	3								
23	2	22190-120002	WASHER, SEAL 12	4								
24	1	129400-92410	HONE	1								1
25	1	977770-1207F	GASKET,LIQUID	1								1

Parts No. Index

Parts No.	Fig. No.	Ref. No.	Parts No.	Fig. No.	Ref. No.	Parts No.	Fig. No.	Ref. No.	Parts No.	Fig. No.	Ref. No.
101304-59020	14	15	119515-13200	6	7	119620-79230	16	10	119717-25911	7	13
101720-55750	14	33		17	16	119620-79250	16	5	119717-25930	7	16
102103-55520	14	5	119515-14400	7	2	119620-79260	16	17	119717-32050	2	19
		28	119515-14581	7	3	119620-79280	16	20		17	4
103854-39140	14	14	119515-21700	8	1	119620-79290	16	21	119717-32060	9	5
104200-55321	14	24	119515-22080	8	14	119620-79300	16	22		17	17
104200-55330	14	2	119515-22300	8	20	119620-79310	16	23	119717-32080	2	9
		25	119515-22500	8	16	119620-79320	16	24	119717-32100	2	8
104200-55341	14	26	119515-22550	8	33	119620-79330	16	25	119717-32110	2	13
104200-55750	14	9	119515-22900	8	31	119620-79340	16	26	119717-32120	2	14
		34	119515-23000	8	22	119620-79350	16	27	119717-39210	9	12
105010-11490	4	5	119515-23601	8	26	119620-79360	16	28	119717-42031	10	2
105025-59530	13	25	119515-23611	8	29	119621-21680	8	12	119717-42320	10	11
		14	119515-42001	10	1	119623-01250	1	6	119717-42350	10	16
105027-12580	5	6	119515-42002	10	1	119624-32040	2	18	119717-49800	10	22
105311-01090	1	5	119515-42020	10	12		17	3	119717-51030	11	5
105425-01690	3	11		17	19	119643-66900	16	34	119717-51060	11	6
110250-55610	14	6	119515-42041	10	3	119650-77910	16	35	119717-51070	11	7
		29	119515-44560	10	35	119653-77950	12	133	119717-51150	7	17
114250-39450	9	11	119515-44600	10	37	119660-01911	2	17	119717-51190	11	14
118200-53010	13	2	119515-53001	13	1	119660-61300	12	75	119717-51200	11	15
118400-51370	11	47	119515-53010	13	3	119660-61901	12	69	119717-51300	11	42
119131-18320	6	5	119515-59540	13	26	119717-01501	2	1	119717-51330	11	45
119255-44660	10	41	119515-77010	15	1	119717-01570	2	2	119717-51420	11	50
119265-44740	10	18	119540-59570	13	33	119717-01611	3	2	119717-51480	11	89
119285-01990	1	8	119546-01770	3	10	119717-01750	2	16	119717-51490	11	90
119285-11990	4	13	119546-34801	9	1	119717-01800	2	6	119717-51500	11	63
119305-35151	9	4	119546-35080	9	6	119717-02411	1	12	119717-51570	11	69
119336-12570	5	5	119546-59810	13	20	119717-02930	1	23	119717-51711	11	75
119415-51100	11	9	119546-59820	13	21	119717-03031	4	39	119717-51750	11	76
119515-01200	1	26	119546-59830	13	22	119717-03070	4	40	119717-51761	11	77
119515-01330	1	27	119546-61300	12	9		4	41	119717-55650	14	11
		17	119546-61440	12	25	119717-11131	4	17	119717-61050	12	2
119515-01720	3	9	119600-11460	4	4	119717-11190	4	19	119717-61060	12	3
119515-11101	4	15		17	10	119717-11260	4	28	119717-61070	12	4
119515-11110	4	16	119620-01750	3	6	119717-11340	4	20	119717-61120	12	12
119515-11200	4	24	119620-02020	1	9		17	11	119717-61130	12	13
119515-11240	4	25	119620-14200	7	1	119717-11350	4	21	119717-61140	12	14
119515-11280	4	29	119620-21941	8	13		17	12	119717-61150	12	15
119515-11310	4	48	119620-59700	13	37	119717-11650	4	30	119717-61200	12	5
		17	119620-77380	16	3	119717-13109	6	1	119717-61400	12	18
119515-11320	4	49	119620-77421	16	6	119717-13110	6	2	119717-61500	12	34
119515-11330	4	50	119620-77440	16	11		17	15	119717-77340	16	31
		17	119620-77461	16	13	119717-13600	6	3	119717-77800	4	57
119515-11380	4	38	119620-77471	16	14	119717-21200	8	4	119717-77820	4	58
119515-11750	4	6	119620-77480	16	19	119717-21650	8	11	119734-01580	2	3
119515-11800	4	22	119620-77490	16	15	119717-23200	8	25	119744-01521	2	5
119515-12501	5	2	119620-79200	16	7	119717-23910	8	28	119746-21570	8	8
119515-12520	5	3	119620-79210	16	8	119717-25050	7	9	119761-12020	5	1
119515-12600	5	7	119620-79220	16	9	119717-25101	7	10	119761-61560	12	89

Parts No. Index

Parts No.	Fig. No.	Ref. No.	Parts No.	Fig. No.	Ref. No.	Parts No.	Fig. No.	Ref. No.	Parts No.	Fig. No.	Ref. No.
119802-03100	4	42	124766-59050	13	24	129240-79300	16	12	22351-050010	11	81
119802-03110	4	43		14	17	129335-55700	14	23	22351-060012	4	23
119802-03121	4	44			20	129350-49530	10	21	22372-040000	12	81
119802-03131	4	45	129001-32320	2	11	129400-92410	17	24	22512-040120	8	5
119802-03141	4	46	129001-32330	2	12	129423-77200	16	1	22857-500100	4	51
119802-13620	6	4	129005-59830	9	13	129423-77710	16	16			52
119802-32130	2	15	129052-61390	12	17	129457-44760	10	19	22857-500160	4	53
119802-44560	10	39	129052-79270	16	18	129486-35210	3	4	23000-054000	5	8
119802-49010	10	42	129100-01580	3	1	129486-61540	12	53	23010-038000	10	44
119802-49020	10	43		8	2	129500-61720	12	130	23061-070230	10	33
119808-12540	5	4	129100-35140	9	3	129508-11180	4	18	23414-080000	10	13
119810-02941	1	34	129100-51560	11	68	129900-07900	4	1		17	20
119810-55340	14	3	129100-51570	11	70	129900-32130	2	10	23414-120016	12	134
119810-55650	14	8	129100-52101	11	94	129901-11450	4	3	23418-060000	14	36
119813-59950	13	38	129100-61650	12	63		17	9	23857-030000	9	15
119833-55620	14	1	129107-44590	10	36	129901-53800	13	4	23876-005000	4	14
119840-59570	13	36	129136-59110	14	18	129901-59560	13	32	23876-030000	2	7
119865-21600	8	10	129150-11230	4	31		17	22	23887-100002	12	82
119940-77270	16	30	129150-11750	4	33	129972-77341	16	32	24101-060034	11	82
119C10-42320	10	11	129150-25301	7	15	158552-61700	12	64	24101-063034	11	83
121023-01551	2	30	129150-59120	13	15	158552-61710	12	68	24311-000320	2	29
121111-21501	8	7	129150-59131	13	18	158552-61900	12	78		4	54
121120-01620	3	5	129155-51020	11	4	158600-51170	11	13		17	6
121250-44901	10	26	129155-51140	11	12	158600-51270	11	39	24311-240100	14	10
121250-55620	14	7	129155-51280	11	40	158600-51410	11	49		37	
121254-55510	14	4		41		158600-51420	11	51	24316-000150	11	84
121256-44600	10	40		12	10	158600-51442	11	52	24341-000070	12	71
121257-55720	14	30	129155-51400	11	48	158600-51570	11	71	24341-000240	2	31
121257-55731	14	31	129155-51450	11	58	158600-51790	11	78		17	7
121450-42450	10	25	129155-51521	11	64	158601-61700	12	122	26014-060122	10	38
121520-34810	9	2	129155-51530	11	65	171001-42290	10	17	26014-080702	14	12
121850-51960	2	20	129155-51540	11	66	171056-49120	10	24	26022-050122	11	85
	17	5	129155-51550	11	67	171081-55910	14	35	26022-060162	11	86
122710-51090	11	8	129155-51580	11	72	174307-51700	12	35	26106-050102	11	87
123501-79240	16	4	129155-51591	11	73	22190-080002	9	14	26106-060102	9	10
124060-01050	1	4	129155-51600	11	19			16		12	72
124064-55510	14	27	129155-51701	11	74			17		18	83
124066-59100	13	34	129155-52051	11	93	22190-100002	12	79	26106-060122	2	21
124085-02220	3	7	129155-61341	12	76	22190-120002	12	80		3	14
124160-01751	2	28	129155-61450	12	26		13	44		7	8
	4	37	129155-61460	12	77		14	22	26106-060142	12	84
124160-01910	1	7	129155-61480	12	28		17	23	26106-060162	2	22
124450-44510	10	29	129156-61460	12	27	22190-160002	3	13		32	
124450-44530	10	31	129209-61370	12	16		11	79	26106-060202	4	55
124450-44550	10	34	129209-61930	12	131		17	8		12	85
124450-44560	10	32	129209-61970	12	132	22217-060000	11	80	26106-060252	3	15
124465-44950	10	27	129210-59080	14	16	22217-120000	7	18	26106-060352	7	14
		28	129210-59150	13	23	22242-000120	4	34	26106-060402	2	23
	17	21		14	19	22252-000220	8	21		24	
124550-51350	11	46	129211-77920	16	38	22272-000030	12	70	26106-060452	3	16

Parts No. Index

Parts No.	Fig. No.	Ref. No.
26106-060452	10	20
	12	86
26106-060602	2	25
26106-060652	2	26
26106-060752	4	56
26106-080122	10	14
26106-080162	4	2
	14	13
26106-080202	10	23
	16	33
26106-080402	4	36
26106-080502	10	15
26106-100252	15	35
26106-100452	16	29
26206-100252	3	8
26306-080002	2	27
	6	6
26366-080002	12	73
26577-060122	10	9
26716-060002	11	88
26716-120002	7	19
26736-120002	12	87
26756-060002	12	74
		88
26979-050162	4	35
27241-120000	1	13
27241-250000	10	10
719515-01560	1	1
719515-92620	17	1
719546-51360	11	1
719717-02901	1	28
719717-02911	1	31
719734-01510	2	4
977770-1207F	17	25
X0280210331	15	23
X0280335360	15	33
X0280626010	15	12
X0280996180	15	3
X0281007680	15	2
X0282005871	15	6
X0283006960	15	7
X0284105040	15	13
X0284525010	15	27
X0285007030	15	10
X0285105190	15	4
X0285205030	15	5
X0286105010	15	15
X0286305010	15	17
X0286355010	15	18
X0287405140	15	19

Parts No.	Fig. No.	Ref. No.
X0534007800	15	20
X1289510130	15	34
X4284001590	15	8
X9055715000	15	21
X9490065670	15	32
X9490138090	15	25
X9490138100	15	26
X9490138110	15	24
X9490423520	15	30
X9490560750	15	29
X9490561001	16	2
X9490562360	15	28
X9490721360	15	22
X9491034320	15	16
X9491034330	15	14
X9491040990	15	11
X9491050100	15	9

Parts No.	Fig. No.	Ref. No.
-----------	----------	----------

Parts No.	Fig. No.	Ref. No.
-----------	----------	----------