

0CW10-M43600EN

P R E F A C E

1. This Parts catalog is the 1st edition of 3TNV70-HPGE for PRAMAC.

Pub.No. : 000Y00W4360
Published : August , 2008

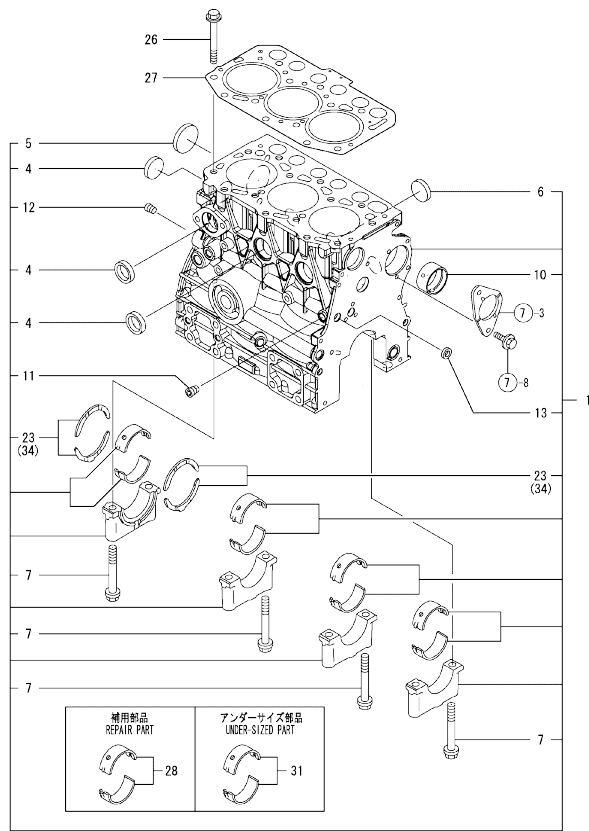
2. Model name

Engine model	Vehicle	Vehicle made by
3TNV70-HPGE	GENERATOR	PRAMAC

Contents

Fig. No.	Fig. Name	Fig. No.	Fig. Name
ENGINE SECTION (3TNV70-HPGE)			
1.	CYLINDER BLOCK		
2.	GEAR HOUSING		
3.	FLYWHEEL HOUSING & OIL SUMP		
4.	CYLINDER HEAD & BONNET		
5.	AIR CLEANER		
6.	EXHAUST MANIFOLD		
7.	CAMSHAFT & DRIVING GEAR		
8.	CRANKSHAFT & PISTON		
9.	LUB.OIL SYSTEM		
10.	COOLING WATER SYSTEM		
11.	FUEL INJECTION PUMP		
12.	GOVERNOR		
13.	FUEL INJECTION VALVE		
14.	FUEL LINE		
15.	STARTING MOTOR		
16.	GENERATOR		
17.	GASKET SET		

Fig.1. CYLINDER BLOCK



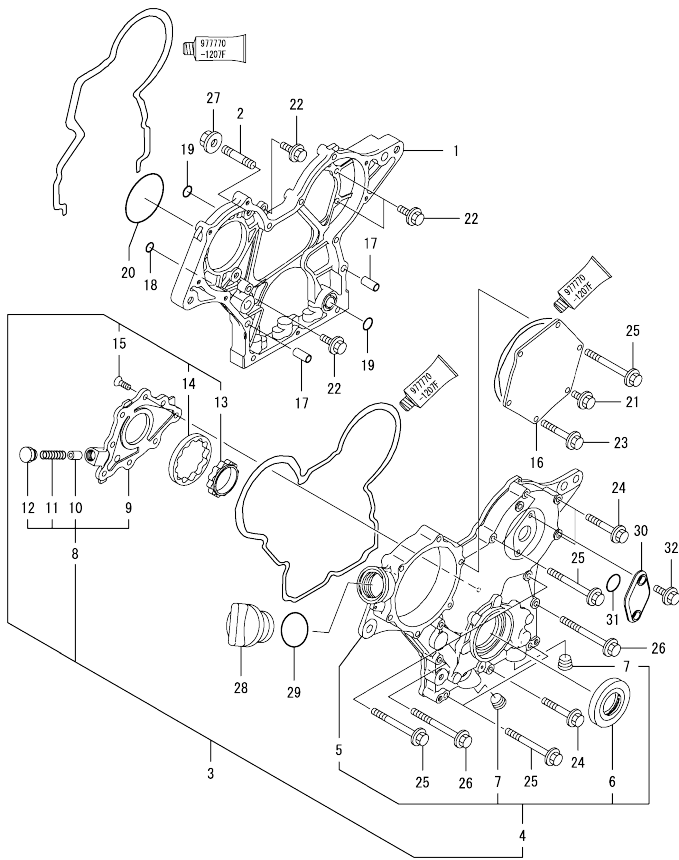
(A)=3TNV70-HPGE
(B)=
(C)=
(D)=
(E)=
(F)=

No.	Lev.	Parts No.	Description	Q'ty						I	R
				(A)	(B)	(C)	(D)	(E)	(F)		
1	1	719515-01560	BLOCK ASSY, CYLINDER	1							
4	2	105311-01090	PLUG, 30	4							
5	2	119623-01250	PLUG, 45	1							
6	2	119285-01990	PLUG, 25	3							
7	2	119620-02020	BOLT, METAL CAP	8							
10	2	119717-02411	BUSH, CAMSHAFT	1							
11	2	124060-01050	PLUG, PT1/8	1							
12	2	124160-01910	PLUG, PT1/4	1							
13	2	27241-120000	PLUG, 12	1							
23	2	119717-02930	BEARING, THRUST	2							
26	1	119515-01200	BOLT, HEAD	14							
27	1	119515-01330	GASKET, HEAD	1							
28	1	719717-02901	BEARING, MAIN	4							1
31	1	719717-02911	BEARING, 0.25 US	4							2
34	1	119810-02941	BEARING, THRUST 0.25	2							3

Remarks
(1) REPAIR PART.
(2) UNDER-SIZED(U.S=0.25)PART.
(3) OVER-SIZED(O.S=0.25)PART.

OCW10-M43600

Fig.2. GEAR HOUSING

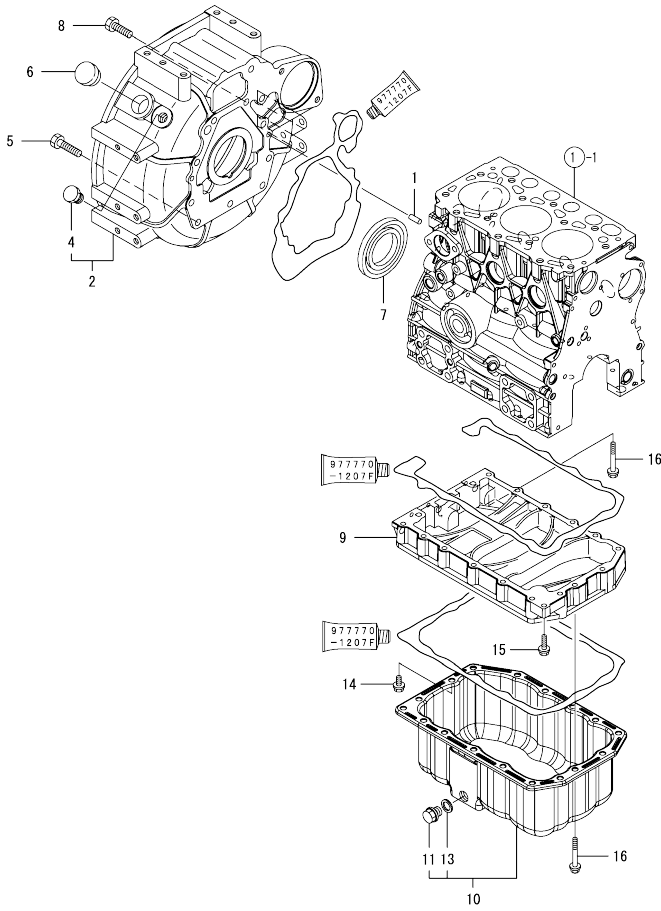


No.	Lev.	Parts No.	Description	Qty						I	R
				(A)	(B)	(C)	(D)	(E)	(F)		
1	1	119717-01501	CASE, GEAR	1							
2	1	119717-01570	STUD	3							
3	1	119734-01580	CASE ASSY, GEAR	1							
4	2	719734-01510	CASE ASSY, GEAR	1							
5	3	119744-01521	COVER, GEAR CASE	1							
6	3	119717-01800	SEAL, OIL	1							
7	3	23876-030000	PLUG, R03	2							
8	2	119717-32100	COVER ASSY	1							
9	3	119717-32080	COVER	1							
10	3	129900-32130	VALVE, RELIEF	1							
11	3	129001-32320	SPRING	1							
12	3	129001-32330	PLUG	1							
13	2	119717-32110	ROTOR, INNER	1							
14	2	119717-32120	ROTOR, OUTER	1							
15	2	119802-32130	SCREW, M6X16	8							
16	1	119717-01750	COVER	1							
17	1	119660-01911	PIPE, KNOCK	4							
18	1	119624-32040	O-RING, P12.0	1							
19	1	119717-32050	O-RING, P17.0	3							
20	1	121850-51960	O-RING	1							
21	1	26106-060122	BOLT, M6X 12 PLATED	1							
22	1	26106-060162	BOLT, M6X 16 PLATED	4							
23	1	26106-060402	BOLT, M6X 40 PLATED	4							
24	1	26106-060402	BOLT, M6X 40 PLATED	3							
25	1	26106-060602	BOLT, M6X 60 PLATED	7							
26	1	26106-060652	BOLT, M6X 65 PLATED	2							
27	1	26306-080002	NUT, M8	3							
28	1	124160-01751	COVER, FILLER	1							
29	1	24311-000320	O-RING, 1AP32.0	1							
30	1	121023-01551	COVER	1							
31	1	24341-000240	O-RING, 1AS24.0	1							
32	1	26106-060162	BOLT, M6X 16 PLATED	2							

N:Old $\frac{New}{Old}$ New, Q:Old $\frac{New}{Old}$ New, R:Old $\frac{New}{Old}$ New, S:Old $\frac{New}{Old}$ New, W:Add, Z:Discontinued, F:Interchangeable by set, K:Qty Change
 Copyright (C) YANMAR CO., LTD. All Rights Reserved.

OCW10-M43600

Fig.3. FLYWHEEL HOUSING & OIL SUMP

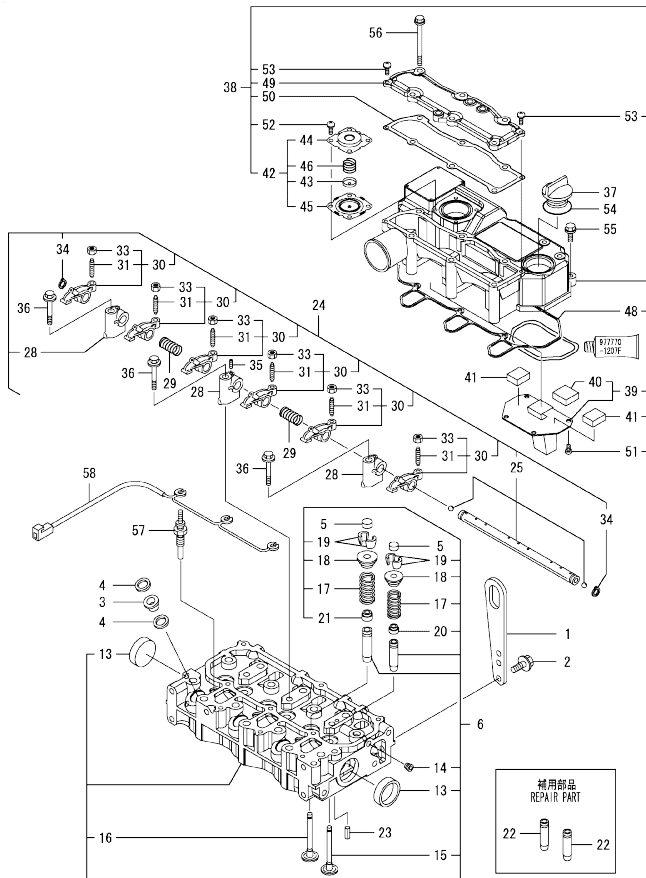


No.	Lev.	Parts No.	Description	Q'ty						I	R	
				(A)	(B)	(C)	(D)	(E)	(F)			
1	1	129100-01580	PIN, M8X16		2							
2	1	119717-01611	HOUSING, FLYWHEEL	1								
4	2	129486-35210	PLUG, 3/4-16UNF	1								
5	1	121120-01620	BOLT, M10X28	3								
6	1	119620-01750	CAP	1								
7	1	124085-02220	SEAL, OIL	1								
8	1	26206-100252	BOLT, M10X 25 PLATED	8								
9	1	119515-01720	SPACER, OIL SUMP	1								
10	1	119546-01770	SUMP ASSY, OIL	1								
11	2	105425-01690	PLUG, 16	1								
13	2	22190-160002	WASHER, SEAL 16	1								
14	1	26106-060122	BOLT, M6X 12 PLATED	1								
15	1	26106-060252	BOLT, M6X 25 PLATED	1								
16	1	26106-060452	BOLT, M6X 45 PLATED	17								

N:Old $\frac{100}{100}$ New, Q:Old $\frac{100}{100}$ New, R:Old $\frac{100}{100}$ New, S:Old $\frac{100}{100}$ New, W:Add, Z:Discontinued, F:Interchangeable by set, K:Q'ty Change
 Copyright (C) YANMAR CO., LTD. All Rights Reserved.

OCW10-M43600

Fig.4. CYLINDER HEAD & BONNET



(A)=3TNV70-HPGE
(B)=
(C)=

(D)=
(E)=
(F)=

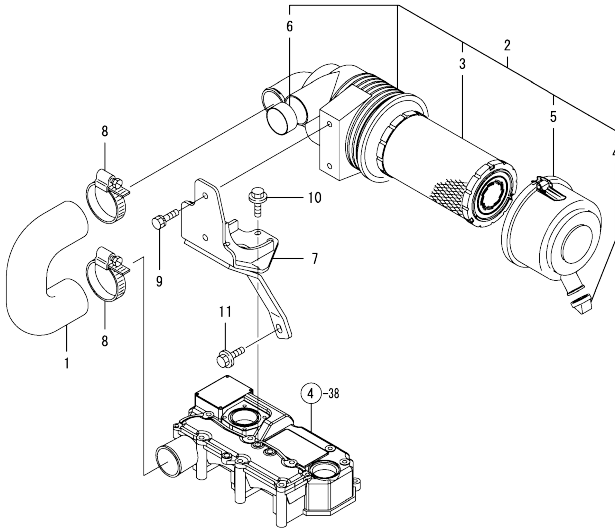
No.	Lev.	Parts No.	Description	Q'ty						I	R
				(A)	(B)	(C)	(D)	(E)	(F)		
1	1	129900-07900	LIFTER	1							
2	1	26106-080162	BOLT, M8X 16 PLATED	2							
3	1	129901-11450	PROTECTOR, NOZZLE	3							
4	1	119600-11460	GASKET, NOZZLE	6							
5	1	105010-11490	CAP, VALVE	6							
6	1	119515-11750	HEAD ASSY, CYLINDER	1							
13	2	119285-11990	PLUG, 35	2							
14	2	23876-005000	PLUG, R005	1							
15	2	119515-11101	VALVE, INTAKE	3							
16	2	119515-11110	VALVE, EXHAUST	3							
17	2	119717-11131	SPRING, VALVE	6							
18	2	129508-11180	RETAINER, SPRING	6							
19	2	119717-11190	COTTER	12							
20	2	119717-11340	SEAL, VALVE STEM	3							
21	2	119717-11350	SEAL, VALVE STEM	3							
22	1	119515-11800	GUIDE, VALVE	6							1
23	1	22351-060012	PIN, SPRING 6.0X12	2							
24	1	119515-11200	SUPPORT ASSY, ARM	1							
25	2	119515-11240	SHAFT ASSY, ROCKER	1							
28	2	119717-11260	SUPPORT, ROCKER ARM	3							
29	2	119515-11280	SPRING	2							
30	2	119717-11650	ARM, ROCKER	6							
31	3	129150-11230	SCREW, VALVE ADJUST	6							
33	3	129150-11750	NUT, M8	6							
34	2	22242-000120	RING, 12	2							
35	2	26979-050162	SCREW, M5X16	1							
36	1	26106-080402	BOLT, M8X 40 PLATED	3							
37	1	124160-01751	COVER, FILLER	1							
38	1	119515-11380	BONNET ASSY, HEAD	1							
39	2	119717-03031	PLATE	1							
40	3	119717-03070	BAFFLE, BREATHER	1							
41	2	119717-03070	BAFFLE, BREATHER	2							
42	2	119802-03100	DIAPHRAGM ASSY	1							
43	3	119802-03110	PLATE	1							
44	3	119802-03121	COVER, DIAPHRAGM	1							
45	3	119802-03131	DIAPHRAGM	1							
46	3	119802-03141	SPRING, DIAPHRAGM	1							
48	2	119515-11310	GASKET, BONNET	1							
49	2	119515-11320	COVER, BONNET	1							
50	2	119515-11330	GASKET	1							
51	2	22857-500100	SCREW, 5X10	4							
52	2	22857-500100	SCREW, 5X10	4							
53	2	22857-500160	SCREW, 5X16	2							
54	1	24311-000320	O-RING, 1AP32.0	1							
55	1	26106-060202	BOLT, M6X 20 PLATED	3							
56	1	26106-060752	BOLT, M6X 75 PLATED	6							
57	1	119717-77800	PLUG, GLOW	3							
58	1	119717-77820	CONNECTOR, GLOW PLUG	1							

Remarks
(1) REPAIR PART.

N:Old $\frac{100}{100}$ New, Q:Old $\frac{100}{100}$ New, R:Old $\frac{100}{100}$ New, S:Old $\frac{100}{100}$ New, W:Add, Z:Discontinued, F:Interchangeable by set, K:Q'ty Change
Copyright (C) YANMAR CO., LTD. All Rights Reserved.

0CW10-M43600

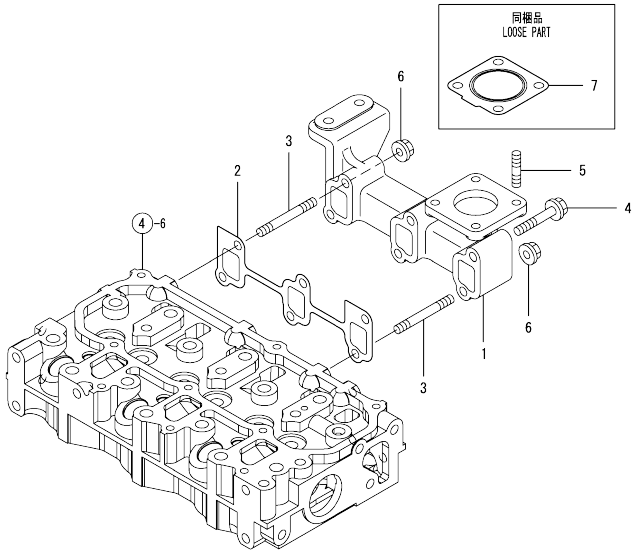
Fig.5. AIR CLEANER



No.	Lev.	Parts No.	Description	Q'ty						
				(A)	(B)	(C)	(D)	(E)	(F)	
1	1	119761-12020	PIPE, AIR INTAKE	1						
2	1	119515-12501	CLEANER ASSY, AIR	1						
3	2	119515-12520	ELEMENT	1						
4	2	119808-12540	VALVE, UNLOADER	1						
5	2	119336-12570	COVER ASSY	1						
6	2	105027-12580	RING	1						
7	1	119515-12600	BRACKET, AIR CLEANER	1						
8	1	23000-054000	CLAMP, 54	2						
9	1	26013-080222	BOLT, M8X 22	2						
10	1	26106-060142	BOLT, M6X 14 PLATED	3						
11	1	26106-080162	BOLT, M8X 16 PLATED	1						

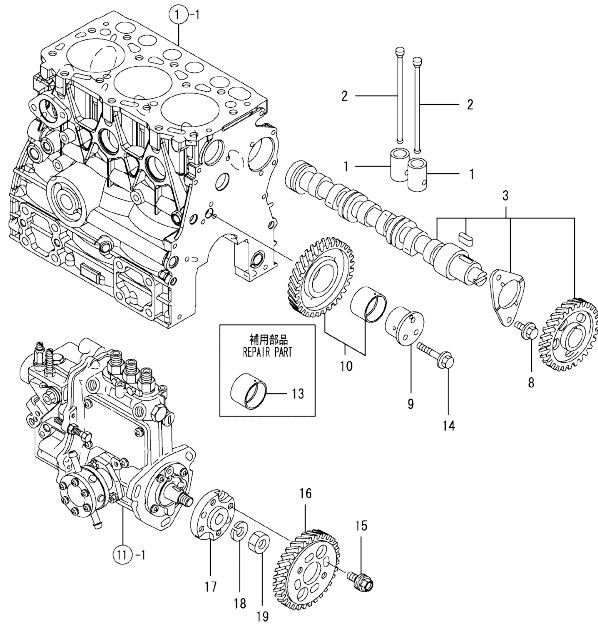
OCW10-M43600

Fig.6. EXHAUST MANIFOLD



No.	Lev.	Parts No.	Description	Q'ty					
				(A)	(B)	(C)	(D)	(E)	(F)
1	1	119717-13109	MANIFOLD, EXHAUST	1					
2	1	119717-13110	GASKET	1					
3	1	119717-13600	STUD, M8X50	2					
4	1	119802-13620	BOLT, M8X50	4					
5	1	119131-18320	STUD, M8X22	4					
6	1	26306-080002	NUT, M8	2					
7	1	119515-13200	GASKET, SILENCER	1					

Fig.7. CAMSHAFT & DRIVING GEAR

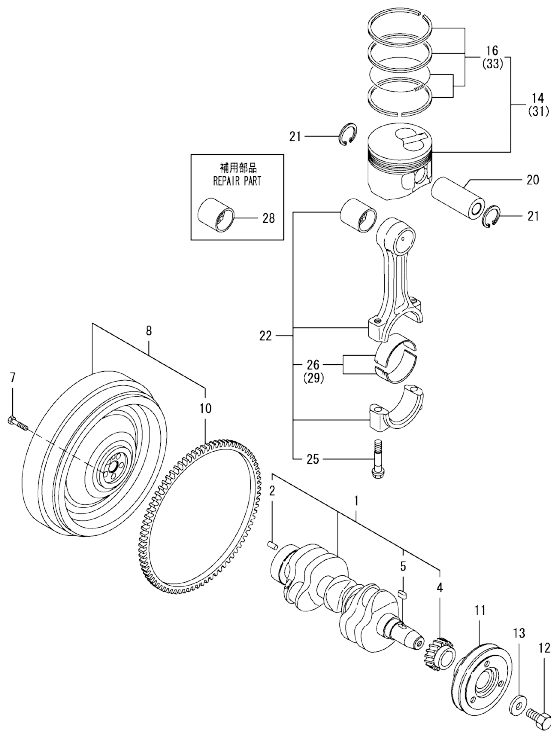


No.	Lev.	Parts No.	Description	Q'ty						I	R
				(A)	(B)	(C)	(D)	(E)	(F)		
1	1	119620-14200	TAPPET	6							
2	1	119515-14400	ROD, PUSH	6							
3	1	119515-14581	CAMSHAFT ASSY	1							
8	1	26106-060122	BOLT, M6X 12 PLATED	2							
9	1	119717-25050	SHAFT, IDLE	1							
10	1	119717-25101	GEAR ASSY, IDLE	1							
13	1	119717-25911	BUSH, IDLE GEAR	1							1
14	1	26106-060352	BOLT, M6X 35 PLATED	3							
15	1	129150-25301	BOLT	4							
16	1	119717-25930	GEAR, PUMP	1							
17	1	119717-51150	FLANGE	1							
18	1	22217-120000	WASHER, SPRING 12	1							
19	1	26716-120002	NUT, M12	1							

Remarks
(1) REPAIR PART.

OCW10-M43600

Fig.8. CRANKSHAFT & PISTON



No.	Lev.	Parts No.	Description	Q'ty						I	R
				(A)	(B)	(C)	(D)	(E)	(F)		
1	1	119515-21700	CRANKSHAFT ASSY	1							
2	2	129100-01580	PIN, M8X16	1							
4	2	119717-21200	GEAR, CRANKSHAFT	1							
5	2	22512-040120	KEY, 4X 12	1							
7	1	121111-21501	BOLT, FLYWHEEL	5							
8	1	119746-21570	FLYWHEEL ASSY	1							
10	2	119865-21600	GEAR, RING	1							
11	1	119717-21650	V-PULLEY	1							
12	1	119621-21680	BOLT, FLANGE 12X1.25	1							
13	1	119620-21941	WASHER	1							
14	1	119515-22080	PISTON ASSY	3							
16	2	119515-22500	RING SET, PISTON	3							
20	1	119515-22300	PIN, PISTON	3							
21	1	22252-000220	RING, 22	6							
22	1	119515-23000	ROD ASSY, CONNECTING	3							
25	2	119717-23200	BOLT, CONNECTING ROD	6							
26	2	119515-23601	BEARING, CRANK PIN	3							
28	1	119717-23910	BEARING, PISTON PIN	3							1
29	1	119515-23611	METAL ASSY, 0.25	3							2
31	1	119515-22900	PISTON ASSY, 0.25 OS	3							3
33	2	119515-22550	RING SET, 0.25 OS	3							3

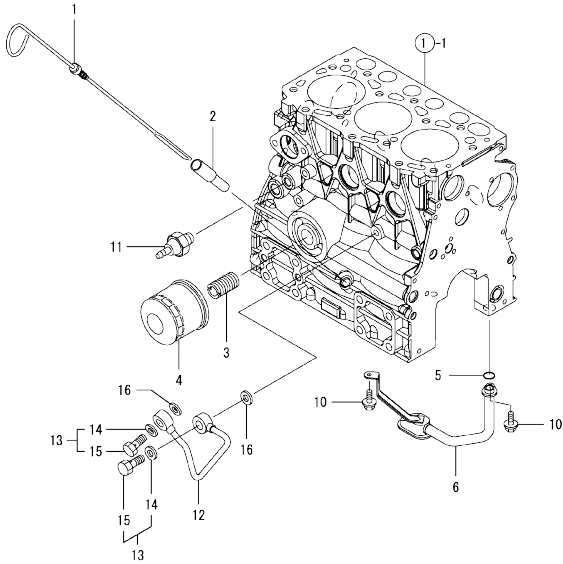
Remarks

- (1) REPAIR PART.
- (2) UNDER-SIZED(U.S=0.25)PART.
- (3) OVER-SIZED(O.S=0.25)PART.

N:Old $\frac{100}{100}$ New, Q:Old $\frac{100}{100}$ New, R:Old $\frac{100}{100}$ New, S:Old $\frac{100}{100}$ New, W:Add, Z:Discontinued, F:Interchangeable by set, K:Qty Change
 Copyright (C) YANMAR CO., LTD. All Rights Reserved.

OCW10-M43600

Fig.9. LUB.OIL SYSTEM

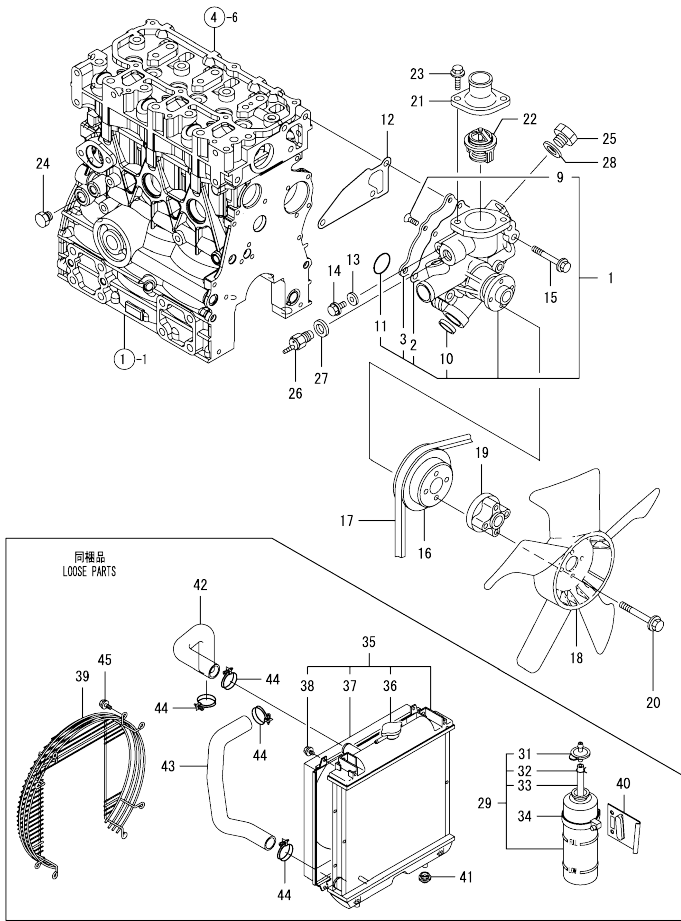


No.	Lev.	Parts No.	Description	Q'ty						I	R
				(A)	(B)	(C)	(D)	(E)	(F)		
1	1	119546-34801	DIPSTICK, OIL	1							
2	1	121520-34810	GUIDE, DIPSTICK	1							
3	1	129100-35140	STUD	1							
4	1	119305-35151	FILTER ASSY, D68XL65	1							1
5	1	119717-32060	O-RING, P15.0	1							
6	1	119546-35080	PIPE ASSY, OIL INLET	1							
10	1	26106-060102	BOLT, M6X 10 PLATED	2							
11	1	114250-39450	SWITCH, 0.5KG	1							
12	1	119717-39210	PIPE, OIL	1							
13	1	129005-59830	BOLT ASSY, JOINT M8	2							
14	2	22190-080002	WASHER, SEAL 6	2							
15	2	23857-030000	BOLT, JOINT 3	2							
16	1	22190-080002	WASHER, SEAL 6	2							

Remarks
(1) REPAIR PART.

N:Old $\frac{100}{100}$ New, Q:Old $\frac{100}{100}$ New, R:Old $\frac{100}{100}$ New, S:Old $\frac{100}{100}$ New, W:Add, Z:Discontinued, F:Interchangeable by set, K:Qty Change
Copyright (C) YANMAR CO., LTD. All Rights Reserved.

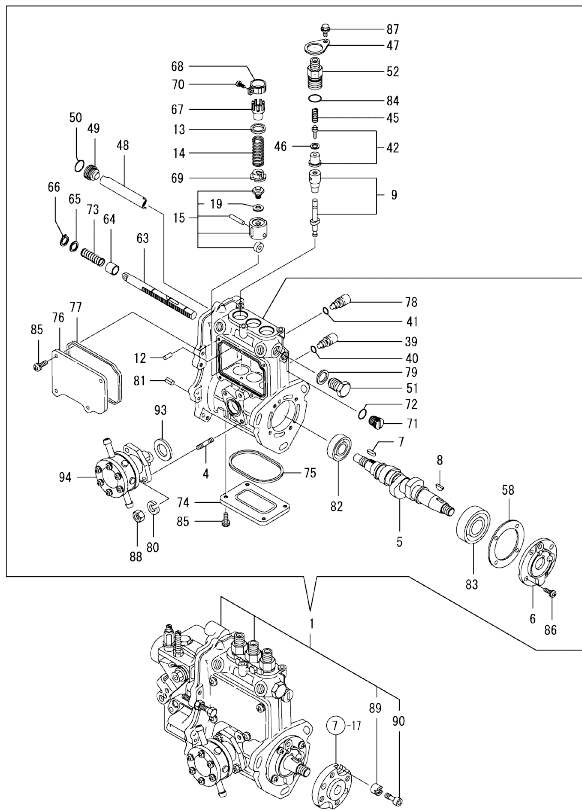
Fig.10. COOLING WATER SYSTEM



No.	Lev.	Parts No.	Description	Q'ty						I	R
				(A)	(B)	(C)	(D)	(E)	(F)		
1	1	119515-42001	PUMP ASSY, WATER	1							
1-1	1	119515-42002	PUMP ASSY, CW	1							N
(A=E/ 90856)											
2	2	119717-42031	GASKET	1							
3	2	119515-42041	COVER	1							
9	2	26577-060122	SCREW, M6X12	4							
10	2	27241-250000	PLUG, 25	1							
11	2	119717-42320	O-RING, P26	1							
11-1	2	119C10-42320	O-RING, 2028	1							S
(A=E/ 90856)											
12	1	119515-42020	GASKET, WATER PUMP	1							
13	1	23414-080000	GASKET, 8X1.0	1							
14	1	26106-080122	BOLT, M8X 12 PLATED	1							
15	1	26106-080502	BOLT, M8X 50 PLATED	3							
16	1	119717-42350	V-PULLEY, D=100	1							
17	1	171001-42290	V-BELT, A35.5	1							
18	1	119265-44740	FAN, D=310X5F	1							
19	1	129457-44760	SPACER, FAN	1							
20	1	26106-060452	BOLT, M6X 45 PLATED	4							
21	1	129350-49530	COVER, THERMOSTAT	1							
22	1	119717-49800	THERMOSTAT, 71	1							
23	1	26106-080202	BOLT, M8X 20 PLATED	2							
24	1	171056-49120	PLUG, DRAIN	1							
25	1	121450-42450	PLUG, M16	1							
26	1	121250-44901	SWITCH, 110	1							
27	1	124465-44950	GASKET, 16	1							
28	1	124465-44950	GASKET, 16	1							
29	1	124450-44510	TANK ASSY, SUB	1							
31	2	124450-44530	CAP	1							
32	2	124450-44560	RETAINER	1							
33	2	23061-070230	PIPE, 7X 230	1							
34	1	124450-44550	BAND	1							
35	1	119515-44560	RADIATOR	1							
36	2	129107-44590	CAP, RADIATOR	1							
37	2	119515-44600	SHROUD	1							
38	2	26014-060122	BOLT, M6X 12	4							
39	1	119802-44560	GUARD	1							
40	1	121256-44600	BRACKET, SUB TANK	1							
41	1	119255-44660	ABSORBER	2							
42	1	119802-49010	PIPE, WATER	1							
43	1	119802-49020	PIPE, WATER	1							
44	1	23000-035000	CLAMP, 35	4							
45	1	26106-060162	BOLT, M6X 16 PLATED	8							

N:Old $\frac{100}{100}$ New, Q:Old $\frac{100}{100}$ New, R:Old $\frac{100}{100}$ New, S:Old $\frac{100}{100}$ New, W:Add, Z:Discontinued, F:Interchangeable by set, K:Q'ty Change
 Copyright (C) YANMAR CO., LTD. All Rights Reserved.

Fig.11. FUEL INJECTION PUMP



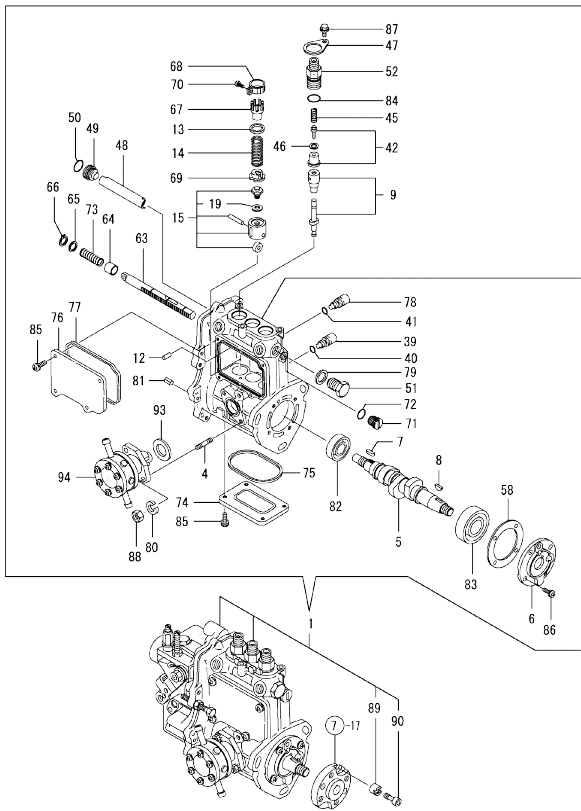
Remarks
 (1) GOVERNOR ASSY(FIG.12) IS
 INCORPORATED IN THIS FOP.CMP
 (REF.NO.1).

No.	Lev.	Parts No.	Description	Q'ty						I	R
				(A)	(B)	(C)	(D)	(E)	(F)		
1	1	719546-51360	PUMP ASSY, INJECTION	1							1
4	2	129155-51020	STUD	2							
5	2	119717-51030	CAMSHAFT	1							
6	2	119717-51060	SUPPORT, CAMSHAFT	1							
7	2	119717-51070	KEY	1							
8	2	122710-51090	KEY	1							
9	2	119415-51100	PLUNGER ASSY	3							
12	2	129155-51140	PIN	3							
13	2	158600-51170	RETAINER, SPRING	3							
14	2	119717-51190	SPRING, PLUNGER	3							
15	2	119717-51200	TAPPET ASSY	3							
19	3	129155-51600	SHIM SET, ADJUSTING	3							
39	2	158600-51270	STOPPER, TAPPET	3							
40	2	129155-51280	O-RING, S6	3							
41	2	129155-51280	O-RING, S6	1							
42	2	119717-51300	VALVE ASSY, DELIVERY	3							
45	2	119717-51330	SPRING, DELIVERY	3							
46	2	124550-51350	GASKET, DELIVERY	3							
47	2	118400-51370	LOCKING	3							
48	2	129155-51400	DEFLECTOR	1							
49	2	158600-51410	PLUG, DEFLECTOR	1							
50	2	119717-51420	O-RING	1							
51	2	158600-51420	PLUG, DEFLECTOR	1							
52	2	158600-51442	VALVE ASSY, DELIVERY	3							
58	2	129155-51450	SHIM SET, ADJUSTING	1							
63	2	119717-51500	RACK, CONTROL	1							
64	2	129155-51521	BUSH, RACK	1							
65	2	129155-51530	SPACER	1							
66	2	129155-51540	CIRCLIP	1							
67	2	129155-51550	PINION, CONTROL	3							
68	2	129100-51560	PINION	3							
69	2	119717-51570	RETAINER, SPRING	3							
70	2	129100-51570	SCREW	3							
71	2	158600-51570	PLUG	1							
72	2	129155-51580	O-RING	1							
73	2	129155-51591	SPRING, RACK	1							
74	2	129155-51701	COVER	1							
75	2	119717-51711	GASKET	1							
76	2	119717-51750	COVER	1							
77	2	119717-51761	GASKET	1							
78	2	158600-51790	STOOPER, RACK	1							
79	2	22190-160002	WASHER, SEAL 16	1							
80	2	22217-060000	WASHER, SPRING 6	2							
81	2	22351-050010	PIN, SPRING 5.0X10	2							
82	2	24101-060034	BEARING, BALL 6003	1							
83	2	24101-063034	BEARING, BALL 6303	1							
84	2	24316-000150	O-RING, 4DP15.0	3							
85	2	26022-050122	SCREW, M5X12	8							
86	2	26022-060162	SCREW, M6X16	4							
87	2	26106-050102	BOLT, M5X 10 PLATED	3							
88	2	26716-060002	NUT, M6	2							

N:Old $\frac{New}{Old}$ New, Q:Old $\frac{New}{Old}$ New, R:Old $\frac{New}{Old}$ New, S:Old $\frac{New}{Old}$ New, W:Add, Z:Discontinued, F:Interchangeable by set, K:Q'ty Change
 ++ CONTINUE ++
 Copyright (C) YANMAR CO., LTD. All Rights Reserved.

OCW10-M43600

Fig.11. FUEL INJECTION PUMP



(A)=3TNV70-HPGE
(D)=
(E)=
(F)=

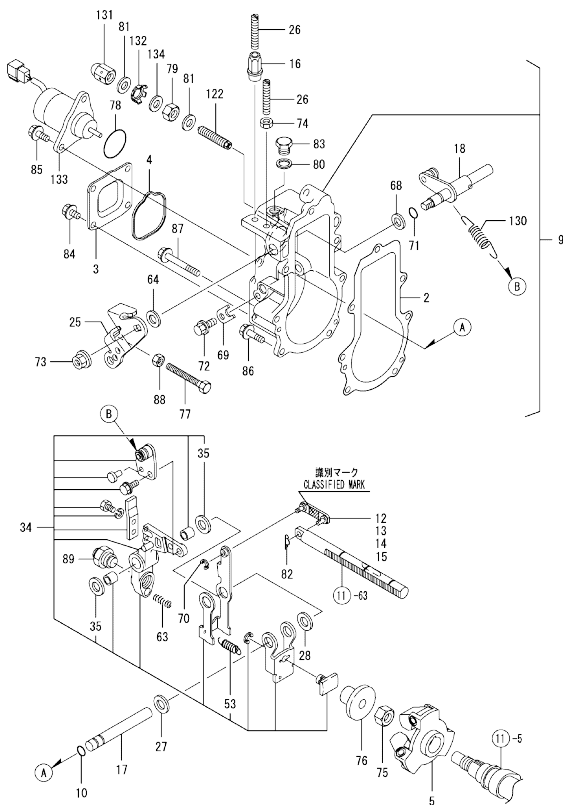
No.	Lev.	Parts No.	Description	Q'ty					
				(A)	(B)	(C)	(D)	(E)	(F)
89	2	119717-51480	COLLAR	1					
90	2	119717-51490	BOLT	1					
93	2	129155-52051	GASKET	1					
94	2	129100-52101	PUMP ASSY, FUEL FEED	1					

Remarks
(1) GOVERNOR ASSY(FIG.12) IS
INCORPORATED IN THIS FOP.CMP
(REF.NO.1).

N:Old $\frac{100}{100}$ New. Q:Old $\frac{100}{100}$ New. R:Old $\frac{100}{100}$ New. S:Old $\frac{100}{100}$ New. W:Add. Z:Discontinued. F:Interchangeable by set. K:Q'ty Change
Copyright (C) YANMAR CO., LTD. All Rights Reserved.

OCW10-M43600

Fig.12. GOVERNOR

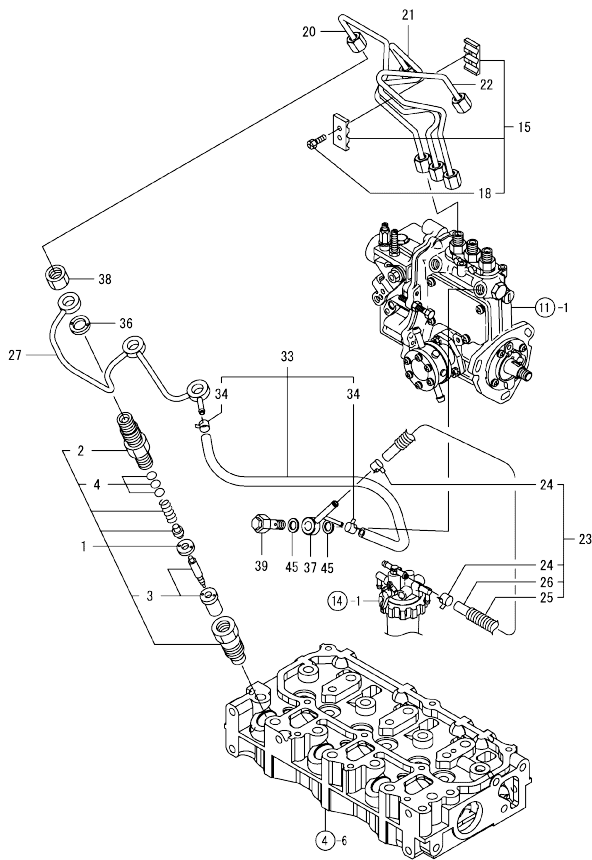


Remarks
 * THIS FIGURE(GOVERNOR ASSY)IS
 INCORPORATED IN THE FUEL INJECTION
 PUMP ASSY(FIG.11).
 (1) SELECTIVE PARTS:CERTAIN THE
 CLASSIFICATION MARK THEN PLACE
 YOUR ORDER(REF.TO ILLUSTRATION).

No.	Lev.	Parts No.	Description	Q'ty						I	R
				(A)	(B)	(C)	(D)	(E)	(F)		
2	2	119717-61050	GASKET	1							
3	2	119717-61060	COVER, GOVERNOR CASE	1							
4	2	119717-61070	GASKET	1							
5	2	119717-61200	WEIGHT ASSY,GOVERNOR	1							
9	2	119546-61300	CASE ASSY, GOVERNOR	1							
10	3	129155-51280	O-RING, S6	1							
12	3	119717-61120	LINK, MARK :3	1							1
13	3	119717-61130	LINK, MARK 98	1							1
14	3	119717-61140	LINK, MARK 88	1							1
15	3	119717-61150	LINK, MARK 03	1							1
16	3	129209-61370	NUT, M6	1							
17	3	129052-61390	SHAFT	1							
18	3	119717-61400	SHAFT ASSY	1							
25	3	119546-61440	LEVER, CONTROL	1							
26	3	129155-61450	BOLT, LIMITER	2							
27	3	129156-61460	SHIM, T=0.6	1							
28	3	129155-61480	SPACER ASSY	1							
34	3	119717-61500	LEVER ASSY, GOVERNOR	1							
35	4	174307-51700	SHIM SET	2							
53	4	129486-61540	SPRING, SET	1							
63	3	129100-61650	SPRING, CONTROLLER	1							
64	3	158552-61700	SHIM SET	1							
68	3	158552-61710	SHIM, T=1.0	1							
69	3	119660-61901	RETAINER, SHAFT	1							
70	3	22272-000030	RING, E- 3	1							
71	3	24341-000070	O-RING, 1AS7.0	1							
72	3	26106-060102	BOLT, M6X 10 PLATED	1							
73	3	26366-080002	NUT, M8	1							
74	3	26756-060002	NUT, LOCK M6	1							
75	2	129008-61301	NUT	1							
76	2	129155-61341	SLEEVE	1							
77	2	129155-61460	BOLT, IDLE	1							
78	2	158552-61900	O-RING	1							
79	2	129209-61920	NUT, ARB	1							
80	2	22190-100002	WASHER, SEAL 10	1							
81	2	22190-120002	WASHER, SEAL 12	2							
82	2	22372-040000	PIN, SNAP 4	1							
83	2	23887-100002	PLUG, 10	1							
84	2	26106-060102	BOLT, M6X 10 PLATED	4							
85	2	26106-060142	BOLT, M6X 14 PLATED	2							
86	2	26106-060202	BOLT, M6X 20 PLATED	4							
87	2	26106-060452	BOLT, M6X 45 PLATED	3							
88	2	26756-060002	NUT, LOCK M6	1							
89	2	119761-61560	ANGLEICH ASSY	1							
122	2	158601-61700	LIMITER ASSY, FUEL	1							
130	2	129500-61720	SPRING, GOVERNOR	1							
131	2	129209-61930	NUT, CAP	1							
132	2	129209-61970	PLATE	1							
133	2	119653-77950	SOLENOID, STOP	1							
134	2	23414-120016	GASKET, 12X1.0	1							

N:Old $\frac{100}{100}$ New, Q:Old $\frac{100}{100}$ New, R:Old $\frac{100}{100}$ New, S:Old $\frac{100}{100}$ New, W:Add, Z:Discontinued, F:Interchangeable by set, K:Q'ty Change
 Copyright (C) YANMAR CO., LTD. All Rights Reserved.

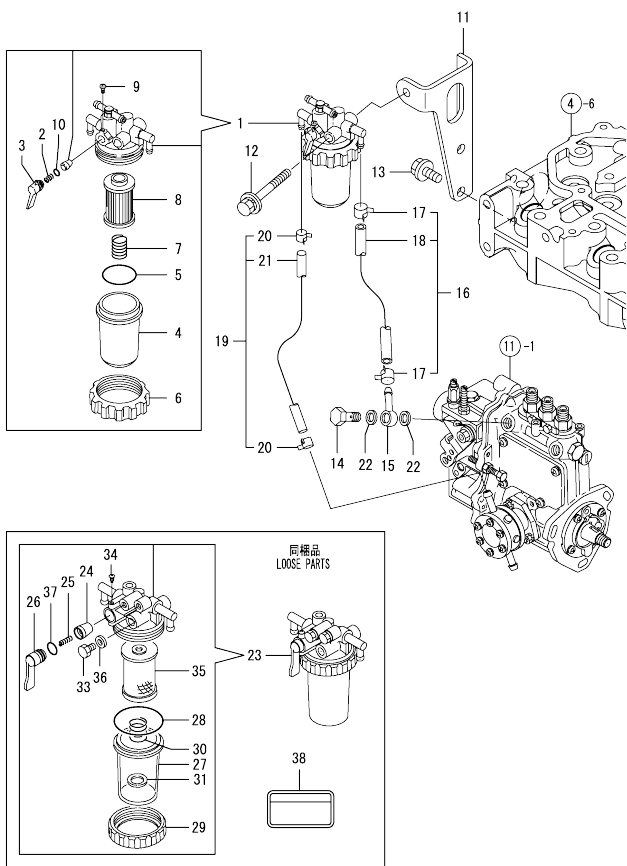
Fig.13. FUEL INJECTION VALVE



No.	Lev.	Parts No.	Description	Q'ty						I	R
				(A)	(B)	(C)	(D)	(E)	(F)		
1	1	119515-53001	VALVE ASSY,INJECTION	3							
2	2	118200-53010	HOLDER, NOZZLE	3							
3	2	119515-53010	VALVE ASSY,INJECTION	3							
4	2	129901-53800	SHIM SET, ADJUSTING	3							1
15	1	129150-59120	RETAINER, PIPE	1							
18	2	129150-59131	BOLT, M4X14	2							
20	1	119546-59810	PIPE ASSY, INJECTION	1							
21	1	119546-59820	PIPE ASSY, INJECTION	1							
22	1	119546-59830	PIPE ASSY, INJECTION	1							
23	1	129950-59211	PIPE, FUEL	1							
24	2	124766-59050	CLIP, HOSE 12	2							
25	2	129950-59221	TUBE, CORRUGATED	1							
26	2	105025-59530	PIPE, FUEL D13X400	1							
27	1	119515-59540	PIPE ASSY, RETURN	1							
33	1	119744-59560	PIPE ASSY, RETURN	1							
34	2	124066-59100	CLIP, HOSE 8	2							
36	1	129901-59560	GASKET	3							
37	1	119740-59590	JOINT, OVER FLOW	1							
38	1	119620-59700	NUT, NOZZLE	3							
39	1	119813-59950	VALVE ASSY, CHECK	1							
45	1	22190-120002	WASHER, SEAL 12	2							

Remarks
(1) REPAIR PART.

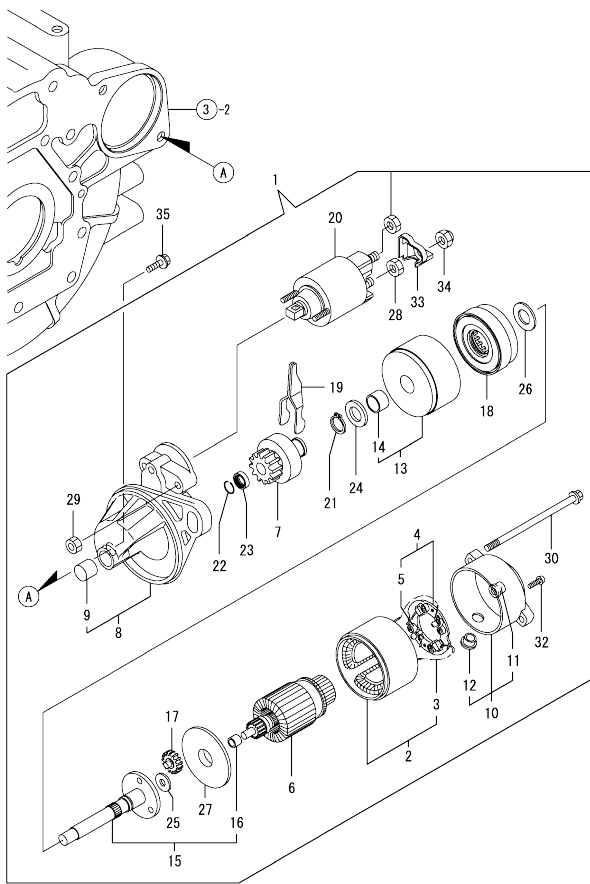
Fig.14. FUEL LINE



No.	Lev.	Parts No.	Description	Q'ty						I	R
				(A)	(B)	(C)	(D)	(E)	(F)		
1	1	119833-55620	FILTER ASSY, FUEL	1							
2	2	104200-55330	SPRING, VALVE	1							
3	2	119810-55340	LEVER	1							
4	2	121254-55510	COVER	1							
5	2	102103-55520	O-RING	1							
6	2	110250-55610	RING, RETAINING	1							
7	2	121250-55620	SPRING	1							
8	2	119810-55650	ELEMENT	1							
9	2	104200-55750	SCREW, M4	1							
10	2	24311-240100	O-RING, 1AP10A	1							
11	1	119717-55650	BRACKET, FILTER	1							
12	1	26014-080702	BOLT, M8X 70	1							
13	1	26106-080162	BOLT, M8X 16 PLATED	2							
14	1	103854-39140	BOLT, PIPE JOINT	1							
15	1	101304-59020	JOINT, PIPE 12	1							
16	1	129210-59080	PIPE ASSY, FUEL	1							
17	2	124766-59050	CLIP, HOSE 12	2							
18	2	129136-59110	PIPE, D13/7.5X270	1							
19	1	129210-59150	PIPE ASSY, FUEL	1							
20	2	124766-59050	CLIP, HOSE 12	2							
21	2	105025-59530	PIPE, FUEL D13X400	1							
22	1	22190-120002	WASHER, SEAL 12	2							
23	1	129335-55700	SEPARATOR ASSY, WATER	1							
24	2	104200-55321	VALVE, TAPER	1							
25	2	104200-55330	SPRING, VALVE	1							
26	2	104200-55341	HANDLE	1							
27	2	124064-55510	COVER	1							
28	2	102103-55520	O-RING	1							
29	2	110250-55610	RING, RETAINING	1							
30	2	121257-55720	SPRING	1							
31	2	121257-55731	FLOAT	1							
33	2	101720-55750	PLUG, 6	2							
34	2	104200-55750	SCREW, M4	1							
35	2	171081-55910	SCREEN	1							
36	2	23418-060000	GASKET, 6X1.0	2							
37	2	24311-240100	O-RING, 1AP10A	1							
38	1	114110-07760	LABEL, FUEL OIL NOTI	1							

OCW10-M43600

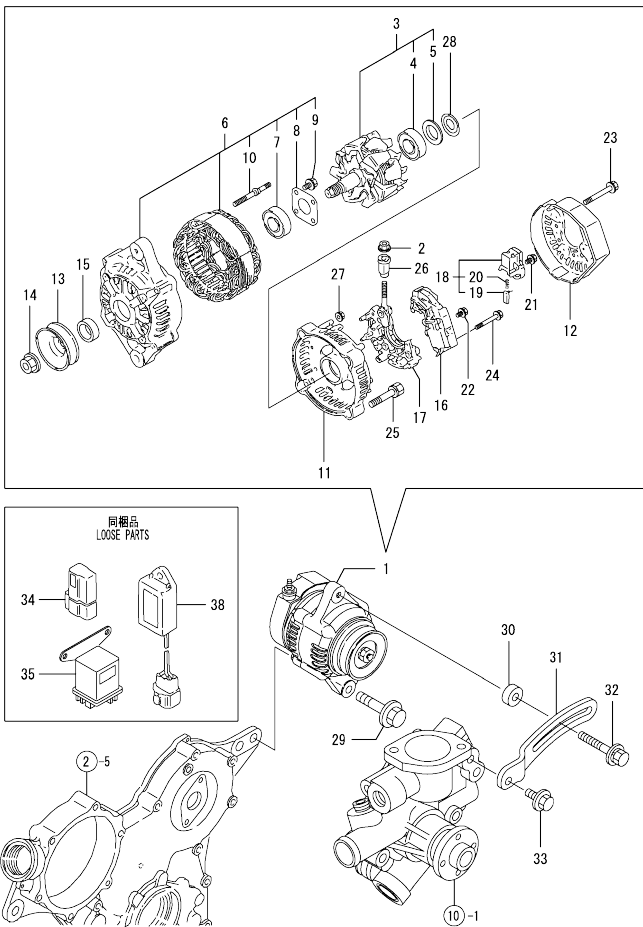
Fig.15. STARTING MOTOR



No.	Lev.	Parts No.	Description	Q'ty						I	R
				(A)	(B)	(C)	(D)	(E)	(F)		
1	1	119515-77010	STARTER, P1.1	1							
2	2	X0281007680	YOKE ASSY	1							
3	3	X0280996180	STARTER KIT	2							
4	2	X0285105190	HOLDER ASSY	1							
5	3	X0285205030	SPRING	4							
6	2	X0282005871	ARMATURE ASSY	1							
7	2	X0283006960	CLUTCH ASSY	1							
8	2	X4284001590	HOUSING ASSY,STARTER	1							
9	3	X9491050100	BEARING, NEEDLE	1							
10	2	X0285007030	FRAME ASSY.	1							
11	3	X9491040990	BEARING	1							
12	3	X0280626010	COVER	1							
13	2	X0284105040	BEARING ASSY	1							
14	3	X9491034330	BEARING	1							
15	2	X0286105010	SHAFT ASSY	1							
16	3	X9491034320	BEARING	1							
17	2	X0286305010	GEAR	3							
18	2	X0286355010	GEAR	1							
19	2	X0287405140	LEVER	1							
20	2	X0534007800	SWITCH ASSY	1							
21	2	X9055715000	RING	1							
22	2	X9490721360	RING	1							
23	2	X0280210331	NUT	1							
24	2	X9490138110	WASHER	1							
25	2	X9490138090	WASHER	1							
26	2	X9490138100	WASHER	1							
27	2	X0284525010	PLATE	1							
28	2	X9490562360	NUT	1							
29	2	X9490560750	NUT	2							
30	2	X9490423520	BOLT, THROUGH	2							
32	2	X9490065670	SCREW, M4X6	2							
33	2	X0280335360	COVER, TERMINAL	1							
34	2	X1289510130	NUT	1							
35	1	26106-100252	BOLT, M10X 25 PLATED	2							

N:Old $\frac{New}{Old}$ New, Q:Old $\frac{New}{Old}$ New, R:Old $\frac{New}{Old}$ New, S:Old $\frac{New}{Old}$ New, W:Add, Z:Discontinued, F:Interchangeable by set, K:Q'ty Change
 Copyright (C) YANMAR CO., LTD. All Rights Reserved.

Fig.16. GENERATOR

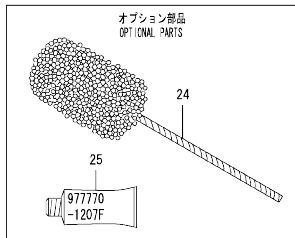
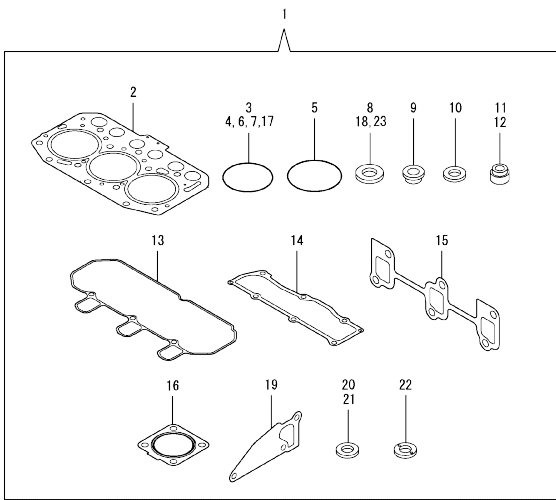


No.	Lev.	Parts No.	Description	Q'ty						I	R
				(A)	(B)	(C)	(D)	(E)	(F)		
1	1	129423-77200	GENERATOR, 12V-40A	1							
2	2	X9490561001	NUT	1							
3	2	119620-77380	ROTOR ASSY	1							
4	3	123501-79240	BEARING, BALL	1							
5	3	119620-79250	COVER, BEARING	1							
6	2	119620-77421	FRAME ASSY, DRIVE	1							
7	3	119620-79200	BALL BEARING	1							
8	3	119620-79210	PLATE	1							
9	3	119620-79220	SCREW	4							
10	3	119620-79230	BOLT, STUD	2							
11	2	119620-77440	FLAME ASSY, REAR	1							
12	2	129240-79300	COVER	1							
13	2	119620-77461	PULLEY	1							
14	2	119620-77471	NUT	1							
15	2	119620-77490	COLLAR	1							
16	2	129423-77710	REGULATOR ASSY	1							
17	2	119620-79260	HOLDER	1							
18	2	129052-79270	HOLDER, BRUSH	1							
19	3	119620-77480	BRUSH ASSY	2							
20	3	119620-79280	SPRING	2							
21	2	119620-79290	SCREW	6							
22	2	119620-79300	SCREW	1							
23	2	119620-79310	BOLT	3							
24	2	119620-79320	SCREW W/WASHER	2							
25	2	119620-79330	BOLT	2							
26	2	119620-79340	INSULATION BUSH	1							
27	2	119620-79350	NUT	2							
28	2	119620-79360	WASHER, THRUST	1							
29	1	26106-100452	BOLT, M10X 45 PLATED	1							
30	1	119940-77270	SPACER, GENERATOR	1							
31	1	119717-77340	ADJUSTER	1							
32	1	129972-77341	BOLT, ADJUSTER L=50	1							
33	1	26106-080202	BOLT, M8X 20 PLATED	1							
34	1	119643-66900	DIODE	1							
35	1	119650-77910	RELAY ASSY, GLOW	1							
38	1	129211-77920	TIMER	1							

N:Old $\frac{New}{Old}$ New, Q:Old $\frac{New}{Old}$ New, R:Old $\frac{New}{Old}$ New, S:Old $\frac{New}{Old}$ New, W:Add, Z:Discontinued, F:Interchangeable by set, K:Q'ty Change
 Copyright (C) YANMAR CO., LTD. All Rights Reserved.

OCW10-M43600

Fig.17. GASKET SET



(A)=3TNV70-HPGE
(B)=
(C)=

(D)=
(E)=
(F)=

No.	Lev.	Parts No.	Description	Q'ty						I	R	
				(A)	(B)	(C)	(D)	(E)	(F)			
1	1	719515-92620	GASKET SET	1							1	
2	2	119515-01330	GASKET, HEAD	1								
3	2	119624-32040	O-RING, P12.0	1								
4	2	119717-32050	O-RING, P17.0	3								
5	2	121850-51960	O-RING	1								
6	2	24311-000320	O-RING, 1AP32.0	2								
7	2	24341-000240	O-RING, 1AS24.0	1								
8	2	22190-160002	WASHER, SEAL 16	1								
9	2	129901-11450	PROTECTOR, NOZZLE	3								
10	2	119600-11460	GASKET, NOZZLE	6								
11	2	119717-11340	SEAL, VALVE STEM	3								
12	2	119717-11350	SEAL, VALVE STEM	3								
13	2	119515-11310	GASKET, BONNET	1								
14	2	119515-11330	GASKET	1								
15	2	119717-13110	GASKET	1								
16	2	119515-13200	GASKET, SILENCER	1								
17	2	119717-32060	O-RING, P15.0	1								
18	2	22190-080002	WASHER, SEAL 6	4								
19	2	119515-42020	GASKET, WATER PUMP	1								
20	2	23414-080000	GASKET, 8X1.0	1								
21	2	124465-44950	GASKET, 16	2								
22	2	129901-59560	GASKET	3								
23	2	22190-120002	WASHER, SEAL 12	4								
24	1	129400-92410	FLEX HORN	1								1
25	1	977770-1207F	GASKET, LIQUID	1								1

Remarks
(1) OPTIONAL PART.

N:Old $\frac{100}{100}$ New, Q:Old $\frac{100}{100}$ New, R:Old $\frac{100}{100}$ New, S:Old $\frac{100}{100}$ New, W:Add, Z:Discontinued, F:Interchangeable by set, K:Qty Change
Copyright (C) YANMAR CO., LTD. All Rights Reserved.

Parts No. Index

Parts No.	Fig. No.	Ref. No.
101304-59020	14	15
101720-55750	14	33
102103-55520	14	5
		28
103854-39140	14	14
104200-55321	14	24
104200-55330	14	2
		25
104200-55341	14	26
104200-55750	14	9
		34
105010-11490	4	5
105025-59530	13	26
		14
		21
105027-12580	5	6
105311-01090	1	4
105425-01690	3	11
110250-55610	14	6
		29
114110-07760	14	38
114250-39450	9	11
118200-53010	13	2
118400-51370	11	47
119131-18320	6	5
119255-44660	10	41
119265-44740	10	18
119285-01990	1	6
119285-11990	4	13
119305-35151	9	4
119336-12570	5	5
119415-51100	11	9
119515-01200	1	26
119515-01330	1	27
	17	2
119515-01720	3	9
119515-11101	4	15
119515-11110	4	16
119515-11200	4	24
119515-11240	4	25
119515-11280	4	29
119515-11310	4	48
	17	13
119515-11320	4	49
119515-11330	4	50
	17	14
119515-11380	4	38
119515-11750	4	6
119515-11800	4	22
119515-12501	5	2
119515-12520	5	3

Parts No.	Fig. No.	Ref. No.
119515-12600	5	7
119515-13200	6	7
	17	16
119515-14400	7	2
119515-14581	7	3
119515-21700	8	1
119515-22080	8	14
119515-22300	8	20
119515-22500	8	16
119515-22550	8	33
119515-22900	8	31
119515-23000	8	22
119515-23601	8	26
119515-23611	8	29
119515-42001	10	1
119515-42002	10	1 -1
119515-42020	10	12
	17	19
119515-42041	10	3
119515-44560	10	35
119515-44600	10	37
119515-53001	13	1
119515-53010	13	3
119515-59540	13	27
119515-77010	15	1
119546-01770	3	10
119546-34801	9	1
119546-35080	9	6
119546-59810	13	20
119546-59820	13	21
119546-59830	13	22
119546-61300	12	9
119546-61440	12	25
119600-11460	4	4
	17	10
119620-01750	3	6
119620-02020	1	7
119620-14200	7	1
119620-21941	8	13
119620-59700	13	38
119620-77380	16	3
119620-77421	16	6
119620-77440	16	11
119620-77461	16	13
119620-77471	16	14
119620-77480	16	19
119620-77490	16	15
119620-79200	16	7
119620-79210	16	8
119620-79220	16	9

Parts No.	Fig. No.	Ref. No.
119620-79230	16	10
119620-79250	16	5
119620-79260	16	17
119620-79280	16	20
119620-79290	16	21
119620-79300	16	22
119620-79310	16	23
119620-79320	16	24
119620-79330	16	25
119620-79340	16	26
119620-79350	16	27
119620-79360	16	28
119621-21680	8	12
119623-01250	1	5
119624-32040	2	18
	17	3
119643-66900	16	34
119650-77910	16	35
119653-77950	12	133
119660-01911	2	17
119660-61901	12	69
119717-01501	2	1
119717-01570	2	2
119717-01611	3	2
119717-01750	2	16
119717-01800	2	6
119717-02411	1	10
119717-02930	1	23
119717-03031	4	39
119717-03070	4	40
		41
119717-11131	4	17
119717-11190	4	19
119717-11260	4	28
119717-11340	4	20
	17	11
119717-11350	4	21
	17	12
119717-11650	4	30
119717-13109	6	1
119717-13110	6	2
	17	15
119717-13600	6	3
119717-21200	8	4
119717-21650	8	11
119717-23200	8	25
119717-23910	8	28
119717-25050	7	9
119717-25101	7	10
119717-25911	7	13

Parts No.	Fig. No.	Ref. No.
119717-25930	7	16
119717-32050	2	19
	17	4
119717-32060	9	5
	17	17
119717-32080	2	9
119717-32100	2	8
119717-32110	2	13
119717-32120	2	14
119717-39210	9	12
119717-42031	10	2
119717-42320	10	11
119717-42350	10	16
119717-49800	10	22
119717-51030	11	5
119717-51060	11	6
119717-51070	11	7
119717-51150	7	17
119717-51190	11	14
119717-51200	11	15
119717-51300	11	42
119717-51330	11	45
119717-51420	11	50
119717-51480	11	89
119717-51490	11	90
119717-51500	11	63
119717-51570	11	69
119717-51711	11	75
119717-51750	11	76
119717-51761	11	77
119717-55650	14	11
119717-61050	12	2
119717-61060	12	3
119717-61070	12	4
119717-61120	12	12
119717-61130	12	13
119717-61140	12	14
119717-61150	12	15
119717-61200	12	5
119717-61400	12	18
119717-61500	12	34
119717-77340	16	31
119717-77800	4	57
119717-77820	4	58
119734-01580	2	3
119740-59590	13	37
119744-01521	2	5
119744-59560	13	33
119746-21570	8	8
119761-12020	5	1

Parts No. Index

Parts No.	Fig. No.	Ref. No.	Parts No.	Fig. No.	Ref. No.	Parts No.	Fig. No.	Ref. No.	Parts No.	Fig. No.	Ref. No.
119761-61560	12	89	124766-59050	13	24	129211-77920	16	38	22242-000120	4	34
119802-03100	4	42		14	17	129240-79300	16	12	22252-000220	8	21
119802-03110	4	43			20	129335-55700	14	23	22272-000030	12	70
119802-03121	4	44	129001-32320	2	11	129350-49530	10	21	22351-050010	11	81
119802-03131	4	45	129001-32330	2	12	129400-92410	17	24	22351-060012	4	23
119802-03141	4	46	129005-59830	9	13	129423-77200	16	1	22372-040000	12	82
119802-13620	6	4	129008-61301	12	75	129423-77710	16	16	22512-040120	8	5
119802-32130	2	15	129052-61390	12	17	129457-44760	10	19	22857-500100	4	51
119802-44560	10	39	129052-79270	16	18	129486-35210	3	4			52
119802-49010	10	42	129100-01580	3	1	129486-61540	12	53	22857-500160	4	53
119802-49020	10	43		8	2	129500-61720	12	130	23000-035000	10	44
119808-12540	5	4	129100-35140	9	3	129508-11180	4	18	23000-054000	5	8
119810-02941	1	34	129100-51560	11	68	129900-07900	4	1	23061-070230	10	33
119810-55340	14	3	129100-51570	11	70	129900-32130	2	10	23414-080000	10	13
119810-55650	14	8	129100-52101	11	94	129901-11450	4	3		17	20
119813-59950	13	39	129100-61650	12	63		17	9	23414-120016	12	134
119833-55620	14	1	129107-44590	10	36	129901-53800	13	4	23418-060000	14	36
119865-21600	8	10	129136-59110	14	18	129901-59560	13	36	23857-030000	9	15
119940-77270	16	30	129150-11230	4	31		17	22	23876-005000	4	14
119C10-42320	10	11	129150-11750	4	33	129950-59211	13	23	23876-030000	2	7
121023-01551	2	30	129150-25301	7	15	129950-59221	13	25	23887-100002	12	83
121111-21501	8	7	129150-59120	13	15	129972-77341	16	32	24101-060034	11	82
121120-01620	3	5	129150-59131	13	18	158552-61700	12	64	24101-063034	11	83
121250-44901	10	26	129155-51020	11	4	158552-61710	12	68	24311-000320	2	29
121250-55620	14	7	129155-51140	11	12	158552-61900	12	78		4	54
121254-55510	14	4	129155-51280	11	40	158600-51170	11	13		17	6
121256-44600	10	40		12	10	158600-51270	11	39	24311-240100	14	10
121257-55720	14	30			10	158600-51410	11	49			37
121257-55731	14	31	129155-51400	11	48	158600-51420	11	51	24316-000150	11	84
121450-42450	10	25	129155-51450	11	58	158600-51442	11	52	24341-000070	12	71
121520-34810	9	2	129155-51521	11	64	158600-51570	11	71	24341-000240	2	31
121850-51960	2	20	129155-51530	11	65	158600-51790	11	78		17	7
	17	5	129155-51540	11	66	158601-61700	12	122	26013-080222	5	9
122710-51090	11	8	129155-51550	11	67	171001-42290	10	17	26014-060122	10	38
123501-79240	16	4	129155-51580	11	72	171056-49120	10	24	26014-080702	14	12
124060-01050	1	11	129155-51591	11	73	171081-55910	14	35	26022-050122	11	85
124064-55510	14	27	129155-51600	11	19	174307-51700	12	35	26022-060162	11	86
124066-59100	13	34	129155-51701	11	74	22190-080002	9	14	26106-050102	11	87
124085-02220	3	7	129155-52051	11	93			16	26106-060102	9	10
124160-01751	2	28	129155-61341	12	76			17		12	72
	4	37	129155-61450	12	26	22190-100002	12	80			84
124160-01910	1	12	129155-61460	12	77	22190-120002	12	81	26106-060122	2	21
124450-44510	10	29	129155-61480	12	28		13	45		3	14
124450-44530	10	31	129156-61460	12	27		14	22		7	8
124450-44550	10	34	129209-61370	12	16		17	23	26106-060142	5	10
124450-44560	10	32	129209-61920	12	79	22190-160002	3	13		12	85
124465-44950	10	27	129209-61930	12	131		11	79	26106-060162	2	22
		28	129209-61970	12	132		17	8			32
	17	21	129210-59080	14	16	22217-060000	11	80		10	45
124550-51350	11	46	129210-59150	14	19	22217-120000	7	18	26106-060202	4	55

Parts No. Index

Parts No.	Fig. No.	Ref. No.
26106-060202	12	86
26106-060252	3	15
26106-060352	7	14
26106-060402	2	23
		24
26106-060452	3	16
	10	20
	12	87
26106-060602	2	25
26106-060652	2	26
26106-060752	4	56
26106-080122	10	14
26106-080162	4	2
	5	11
	14	13
26106-080202	10	23
	16	33
26106-080402	4	36
26106-080502	10	15
26106-100252	15	35
26106-100452	16	29
26206-100252	3	8
26306-080002	2	27
	6	6
26366-080002	12	73
26577-060122	10	9
26716-060002	11	88
26716-120002	7	19
26756-060002	12	74
		88
26979-050162	4	35
27241-120000	1	13
27241-250000	10	10
719515-01560	1	1
719515-92620	17	1
719546-51360	11	1
719717-02901	1	28
719717-02911	1	31
719734-01510	2	4
977770-1207F	17	25
X0280210331	15	23
X0280335360	15	33
X0280626010	15	12
X0280996180	15	3
X0281007680	15	2
X0282005871	15	6
X0283006960	15	7
X0284105040	15	13
X0284525010	15	27
X0285007030	15	10

Parts No.	Fig. No.	Ref. No.
X0285105190	15	4
X0285205030	15	5
X0286105010	15	15
X0286305010	15	17
X0286355010	15	18
X0287405140	15	19
X0534007800	15	20
X1289510130	15	34
X4284001590	15	8
X9055715000	15	21
X9490065670	15	32
X9490138090	15	25
X9490138100	15	26
X9490138110	15	24
X9490423520	15	30
X9490560750	15	29
X9490561001	16	2
X9490562360	15	28
X9490721360	15	22
X9491034320	15	16
X9491034330	15	14
X9491040990	15	11
X9491050100	15	9

Parts No.	Fig. No.	Ref. No.
-----------	----------	----------

Parts No.	Fig. No.	Ref. No.
-----------	----------	----------