

0CW10-M52000EN

P R E F A C E

1. This parts catalog is the 1st edition of 3TNV70-HAGR for AGRINET.

Pub.No. : 0CW10-G52000

Published : July, 2009

2. Model name

Engine model	Vehicle	Vehicle made by
3TNV70-HAGR	GENERATOR	AGRINET

Directions for the Parts Catalog.

1. This Parts Catalog shows both standard and optional parts.
2. Parts may change without prior notice.
3. The following is an example of the Parts Catalog format.

REF.	LEV.	PARTS NO.	DESCRIPTION	Q'TY						I	R
				(A)	(B)	(C)	(D)	(E)	(F)		
1	1	729595-51390	FUEL INJECTION PUMP	1	1	1	1	1			1
1-1	1	729595-51391	FUEL INJECTION PUMP	1	1	1	1	1		N	1
		(A=E00185) (B=E00200)									
3	2	26022-060162	SCREW M 6X 16	9	9	9	9	9			
3-1	2	26022-060162	SCREW M 6X 16	4	4	4	4	4		K	
		(A=E00156) (B=E00156) (C=E00156) (D=E00156) (E=E00156)									
4	2	129470-51040	CAMSHAFT	1	1	1	1	1			
5	2	122710-51050	BEARING, ROLLER	2	2	2	2	2			
6	2	129470-51060	RETAINER	1	1	1	1	1			

Remarks
(1) BOOST COMPEMSATOR TYPE. OPTIONAL PART, TO E00155,(4JH-DT, 4JH-DTZ

① Ref. No.

The Ref. No. listed may not be in accordance with the illustration Ref. No.

(Ex.) Illustration No.

List Ref No.

1 1 (Before change) → 1-1 (After change)

For interchangeable symbols N, R and K, illustrations for new parts may be abbreviated.

② Lev. (Level)

Level indication

The numbers below indicate the level of relativity towards the main part.

1 ---- Main parts (Assembly parts)

2 ---- Sub component included in " 1 ".

3 ---- Sub component included in " 2 ".

Note) Parts that are not for sale are partially illustrated but not listed.

③ Interchangeability Symbol

When a part change takes place, one of the following interchangeability symbols is indicated beside the part.

Symbol	Interchangeability	Contents note
N	Old $\begin{matrix} \leftarrow \text{Yes} \\ \text{No} \rightarrow \end{matrix}$ New	New Part is interchangeable for Old Part but Old Part is not interchangeable for New Part.
Q	Old $\begin{matrix} \leftarrow \text{No} \\ \text{Yes} \rightarrow \end{matrix}$ New	New Part is not interchangeable for Old Part but Old Part is interchangeable for New Part.
R	Old $\begin{matrix} \leftarrow \text{Yes} \\ \text{Yes} \rightarrow \end{matrix}$ New	New/ Old Parts are both interchangeable.
S	Old $\begin{matrix} \leftarrow \text{No} \\ \text{No} \rightarrow \end{matrix}$ New	New/ Old Parts are both not interchangeable.
W		Part newly added.
Z		Part discontinued.
F		Not interchangeable by a single part but interchangeable together with related parts.
K		Changes only for used parts quantities.

④ Effective Machine No.

When a part changes, the effective Machine No. will be indicated in the (A)-(F) column.

Product Symbol	Product No.	Product Symbol	Product No.
C	Clutch No. Compressor No.	F	Machine No. (Agricultural Equip.)
D	Drive No.	M	Machine No.
E	Engine No.		

Note 1) A date may follow the symbol. (Ex.) 1996.01

Note 2) "XXXXX" and "ZZZZZ" are for parts that could not be predicted or for engine models that could not be identified.

Note 3) (A=E00185) is the E (Engine Serial Number) for the column (A) model (in this case 4JH-DT) after the parts design change.

⑤ Remarks

Figures or alphabets (symbols) are entered in the remarks column.

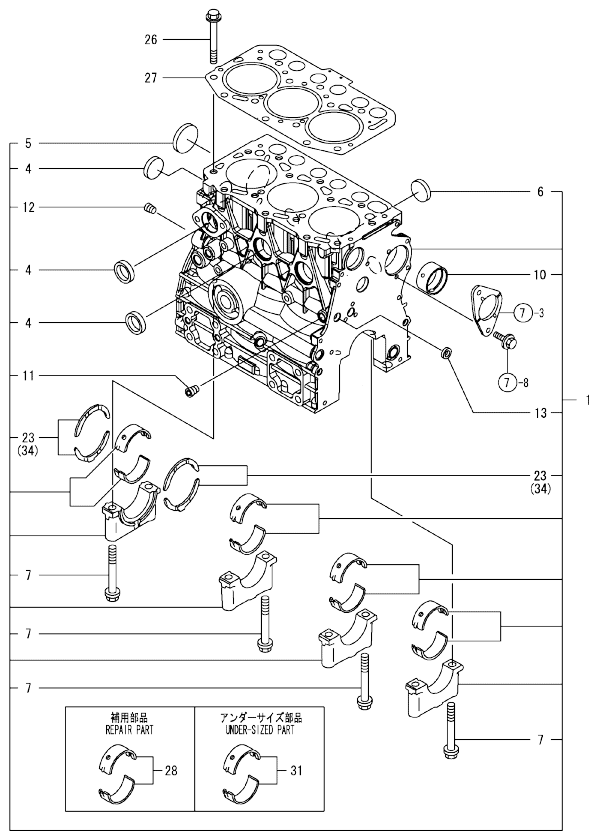
The comments (remarks) on parts that are indicated at the bottom of the illustration are the same symbols as those stated above.

Contents

0CW10-M52000

Fig. No.	Fig. Name	Fig. No.	Fig. Name
3TNV70-HAGR			
1.	CYLINDER BLOCK		
2.	GEAR HOUSING		
3.	FLYWHEEL HOUSING & OIL SUMP		
4.	CYLINDER HEAD & BONNET		
5.	AIR CLEANER		
6.	EXHAUST MANIFOLD & SILENCER		
7.	CAMSHAFT & DRIVING GEAR		
8.	CRANKSHAFT & PISTON		
9.	LUB.OIL SYSTEM		
10.	COOLING WATER SYSTEM		
11.	FUEL INJECTION PUMP		
12.	GOVERNOR		
13.	FUEL INJECTION VALVE		
14.	FUEL LINE		
15.	STARTING MOTOR		
16.	GENERATOR		
17.	GASKET SET		

Fig.1. CYLINDER BLOCK



(A)=3TNV70-HAGR
(B)=
(C)=

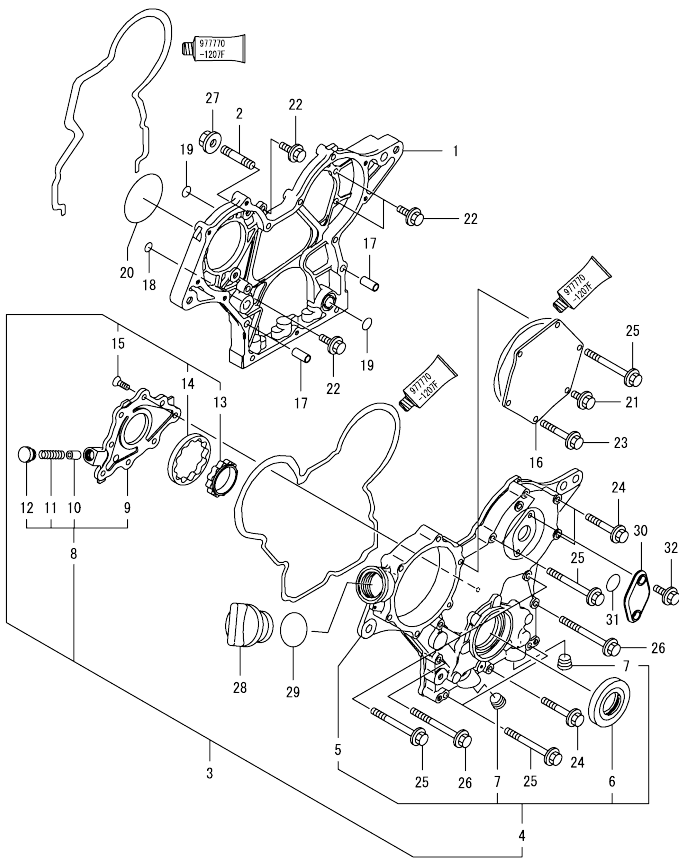
(D)=
(E)=
(F)=

No.	Lev.	Parts No.	Description	Q'ty						I	R
				(A)	(B)	(C)	(D)	(E)	(F)		
1	1	719515-01560	BLOCK ASSY, CYLINDER	1							
4	2	105311-01090	PLUG, 30	4							
5	2	119623-01250	PLUG, 45	1							
6	2	119285-01990	PLUG, 25	3							
7	2	119620-02020	BOLT, METAL CAP	8							
10	2	119717-02411	BUSH, CAMSHAFT	1							
11	2	124060-01050	PLUG, PT1/8	1							
12	2	124160-01910	PLUG, PT1/4	1							
13	2	27241-120000	PLUG, 12	1							
23	2	119717-02930	BEARING, THRUST	2							
26	1	119515-01200	BOLT, HEAD	14							
27	1	119515-01330	GASKET, HEAD	1							
28	1	719717-02901	BEARING, MAIN	4							1
31	1	719717-02911	BEARING, 0.25 US	4							2
34	1	119810-02941	BEARING, THRUST 0.25	2							3

Remarks
(1) REPAIR PART.
(2) UNDER-SIZED(U.S=0.25)PART.
(3) OVER-SIZED(O.S=0.25)PART.

OCW10-M52000 3TNV70-HAGR
 Fig.2. GEAR HOUSING

OCW10-M52000 Fig.2

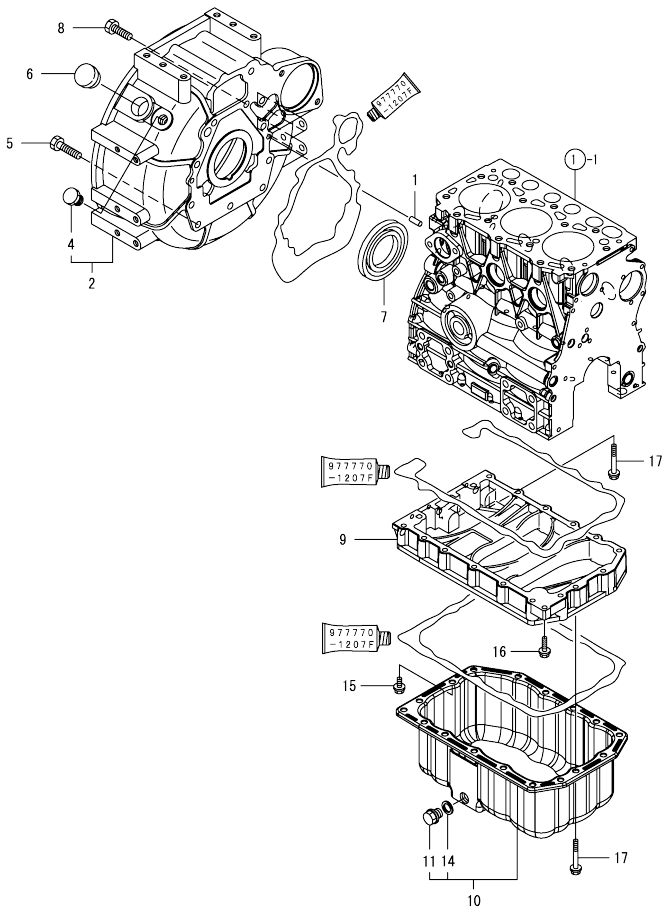


(A)=3TNV70-HAGR
 (B)=
 (C)=

(D)=
 (E)=
 (F)=

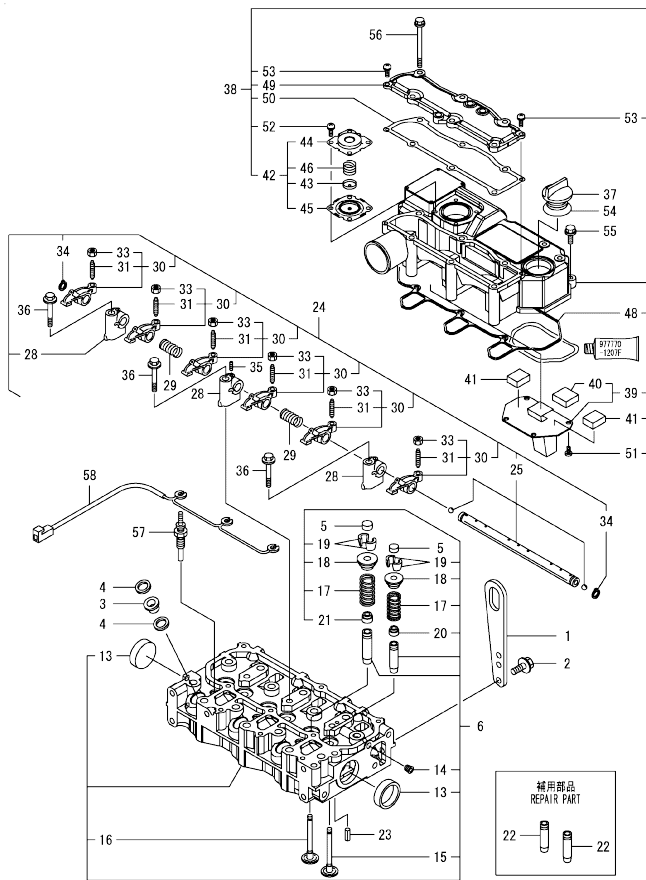
No.	Lev.	Parts No.	Description	Qty						I	R
				(A)	(B)	(C)	(D)	(E)	(F)		
1	1	119717-01501	CASE, GEAR	1							
2	1	119717-01570	STUD	3							
3	1	119734-01580	CASE ASSY, GEAR	1							
4	2	719734-01510	CASE ASSY, GEAR	1							
5	3	119744-01521	COVER, GEAR CASE	1							
6	3	119717-01800	SEAL, OIL	1							
7	3	23876-030000	PLUG, R03	2							
8	2	119717-32100	COVER ASSY	1							
9	3	119717-32080	COVER	1							
10	3	129900-32130	VALVE, RELIEF	1							
11	3	129001-32320	SPRING	1							
12	3	129001-32330	PLUG	1							
13	2	119717-32110	ROTOR, INNER	1							
14	2	119717-32120	ROTOR, OUTER	1							
15	2	119802-32130	SCREW, M6X16	8							
16	1	119717-01750	COVER	1							
17	1	119660-01911	PIPE, KNOCK	4							
18	1	119624-32040	O-RING, P12.0	1							
19	1	119717-32050	O-RING, P17.0	3							
20	1	121850-51960	O-RING	1							
21	1	26106-060122	BOLT, M6X 12 PLATED	1							
22	1	26106-060162	BOLT, M6X 16 PLATED	4							
23	1	26106-060402	BOLT, M6X 40 PLATED	4							
24	1	26106-060402	BOLT, M6X 40 PLATED	3							
25	1	26106-060602	BOLT, M6X 60 PLATED	7							
26	1	26106-060652	BOLT, M6X 65 PLATED	2							
27	1	26306-080002	NUT, M8	3							
28	1	124160-01751	COVER, FILLER	1							
29	1	24311-000320	O-RING, 1AP32.0	1							
30	1	121023-01551	COVER	1							
31	1	24341-000240	O-RING, 1AS24.0	1							
32	1	26106-060162	BOLT, M6X 16 PLATED	2							

Fig.3. FLYWHEEL HOUSING & OIL SUMP



No.	Lev.	Parts No.	Description	Q'ty						I	R
				(A)	(B)	(C)	(D)	(E)	(F)		
1	1	129100-01580	PIN, M8X16		2						
2	1	119717-01611	HOUSING, FLYWHEEL	1							
4	2	129486-35210	PLUG, 3/4-16UNF	1							
5	1	26206-100302	BOLT, M10X 30 PLATED	3							
6	1	119620-01750	CAP	1							
7	1	124085-02220	SEAL, OIL	1							
8	1	26206-100252	BOLT, M10X 25 PLATED	8							
9	1	119515-01720	SPACER, OIL SUMP	1							
10	1	119546-01770	SUMP ASSY, OIL	1							
11	2	105425-01690	PLUG, 16	1							
14	2	22190-160002	WASHER, SEAL 16	1							
15	1	26106-060122	BOLT, M6X 12 PLATED	1							
16	1	26106-060252	BOLT, M6X 25 PLATED	1							
17	1	26106-060452	BOLT, M6X 45 PLATED	17							

Fig.4. CYLINDER HEAD & BONNET



(A)=3TNV70-HAGR
(B)=
(C)=

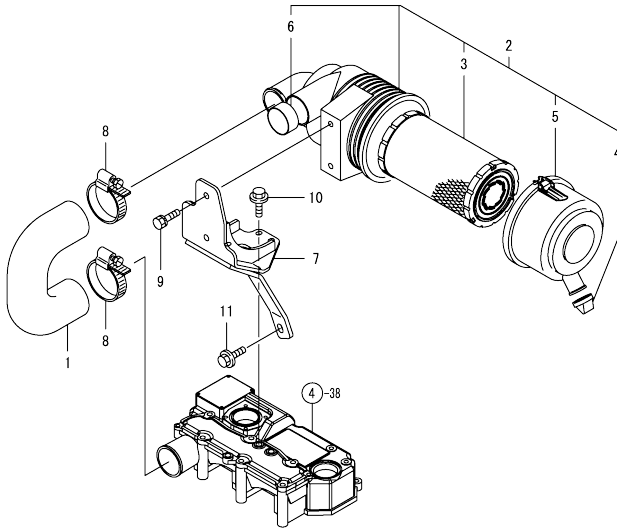
(D)=
(E)=
(F)=

No.	Lev.	Parts No.	Description	Q'ty						I	R
				(A)	(B)	(C)	(D)	(E)	(F)		
1	1	129900-07900	LIFTER	1							
2	1	26106-080162	BOLT, M8X 16 PLATED	2							
3	1	129901-11450	PROTECTOR, NOZZLE	3							
4	1	119600-11460	GASKET, NOZZLE	6							
5	1	105010-11490	CAP, VALVE	6							
6	1	119515-11750	HEAD ASSY, CYLINDER	1							
13	2	119285-11990	PLUG, 35	2							
14	2	23876-005000	PLUG, R005	1							
15	2	119515-11101	VALVE, INTAKE	3							
16	2	119515-11110	VALVE, EXHAUST	3							
17	2	119717-11131	SPRING, VALVE	6							
18	2	129508-11180	RETAINER, SPRING	6							
19	2	119717-11190	COTTER	12							
20	2	119717-11340	SEAL, VALVE STEM	3							
21	2	119717-11350	SEAL, VALVE STEM	3							
22	1	119515-11800	GUIDE, VALVE	6							1
23	1	22351-060012	PIN, SPRING 6.0X12	2							
24	1	119515-11200	SUPPORT ASSY, ARM	1							
25	2	119515-11240	SHAFT ASSY, ROCKER	1							
28	2	119717-11260	SUPPORT, ROCKER ARM	3							
29	2	119515-11280	SPRING	2							
30	2	119717-11650	ARM, ROCKER	6							
31	3	129150-11230	SCREW, VALVE ADJUST	6							
33	3	129150-11750	NUT, M8	6							
34	2	2242-000120	RING, 12	2							
35	2	26979-050162	SCREW, M5X16	1							
36	1	26106-080402	BOLT, M8X 40 PLATED	3							
37	1	124160-01751	COVER, FILLER	1							
38	1	119515-11380	BONNET ASSY, HEAD	1							
39	2	119717-03031	PLATE	1							
40	3	119717-03070	BAFFLE, BREATHER	1							
41	2	119717-03070	BAFFLE, BREATHER	2							
42	2	119802-03100	DIAPHRAGM ASSY	1							
43	3	119802-03110	PLATE	1							
44	3	119802-03121	COVER, DIAPHRAGM	1							
45	3	119802-03131	DIAPHRAGM	1							
46	3	119802-03141	SPRING, DIAPHRAGM	1							
48	2	119515-11310	GASKET, BONNET	1							
49	2	119515-11320	COVER, BONNET	1							
50	2	119515-11330	GASKET	1							
51	2	22857-500100	SCREW, 5X10	4							
52	2	22857-500100	SCREW, 5X10	4							
53	2	22857-500160	SCREW, 5X16	2							
54	1	24311-000320	O-RING, 1AP32.0	1							
55	1	26106-060202	BOLT, M6X 20 PLATED	3							
56	1	26106-060752	BOLT, M6X 75 PLATED	6							
57	1	119717-77800	PLUG, GLOW	3							
58	1	119717-77820	CONNECTOR, GLOW PLUG	1							

Remarks
(1) REPAIR PART.

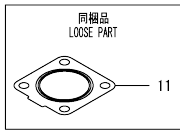
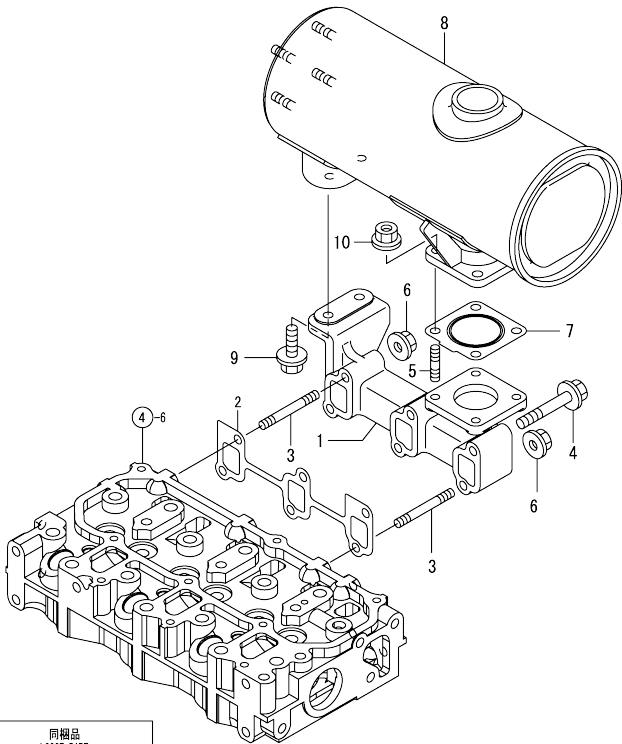
0CW10-M52000 3TNV70-HAGR
 Fig.5. AIR CLEANER

0CW10-M52000 Fig.5



No.	Lev.	Parts No.	Description	Q'ty					
				(A)	(B)	(C)	(D)	(E)	(F)
1	1	119761-12020	PIPE, AIR INTAKE	1					
2	1	119515-12501	CLEANER ASSY, AIR	1					
3	2	119515-12520	ELEMENT	1					
4	2	119808-12540	VALVE, UNLOADER	1					
5	2	119336-12570	COVER ASSY	1					
6	2	105027-12580	RING	1					
7	1	119515-12600	BRACKET, AIR CLEANER	1					
8	1	23000-054000	CLAMP, 54	2					
9	1	26013-080222	BOLT, M8X 22	2					
10	1	26106-060142	BOLT, M6X 14 PLATED	3					
11	1	26106-080162	BOLT, M8X 16 PLATED	1					

Fig.6. EXHAUST MANIFOLD & SILENCER



(A)=3TNV70-HAGR
(B)=
(C)=

(D)=
(E)=
(F)=

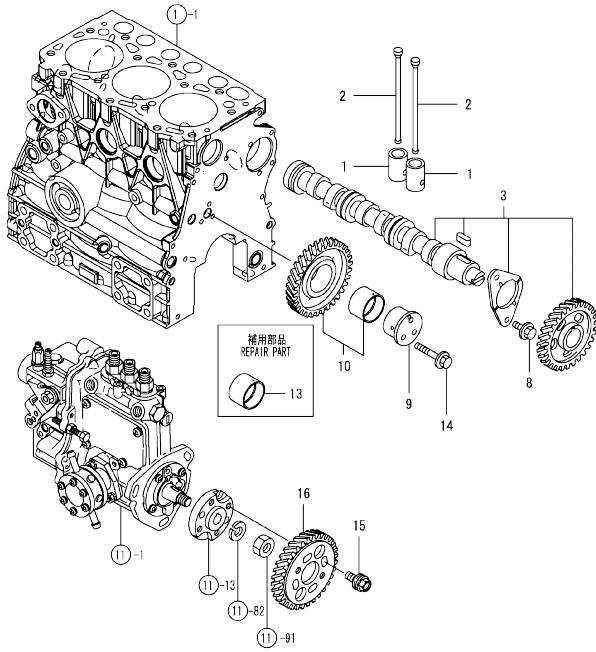
No.	Lev.	Parts No.	Description	Q'ty						I	R
				(A)	(B)	(C)	(D)	(E)	(F)		
1	1	119717-13109	MANIFOLD, EXHAUST	1							
2	1	119717-13110	GASKET	1							
3	1	119717-13600	STUD, M8X50	2							
4	1	119802-13620	BOLT, M8X50	4							
5	1	119131-18320	STUD, M8X22	4							
6	1	26306-080002	NUT, M8	2							
7	1	119515-13200	GASKET, SILENCER	1							
8	1	119717-13500	SILENCER	1							
9	1	26106-080252	BOLT, M8X 25 PLATED	2							
10	1	26306-080002	NUT, M8	4							
11	1	119515-13200	GASKET, SILENCER	1							

Fig.7. CAMSHAFT & DRIVING GEAR

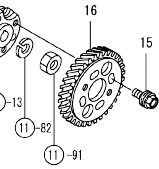
(A)=3TNV70-HAGR
(B)=
(C)=

(D)=
(E)=
(F)=

No.	Lev.	Parts No.	Description	Q'ty						I	R
				(A)	(B)	(C)	(D)	(E)	(F)		
1	1	119620-14200	TAPPET	6							
2	1	119515-14400	ROD, PUSH	6							
3	1	119515-14581	CAMSHAFT ASSY	1							
8	1	26106-060122	BOLT, M6X 12 PLATED	2							
9	1	119717-25050	SHAFT, IDLE	1							
10	1	119717-25101	GEAR ASSY, IDLE	1							
13	1	119717-25911	BUSH, IDLE GEAR	1							1
14	1	26106-060352	BOLT, M6X 35 PLATED	3							
15	1	129150-25301	BOLT	4							
16	1	119717-25930	GEAR, PUMP	1							



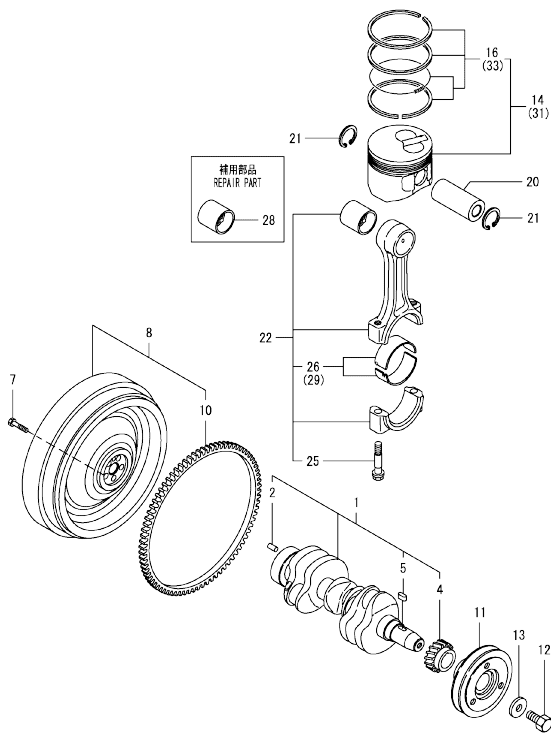
補用部品
REPAIR PART



11-82
11-91

Remarks
(1) REPAIR PART.

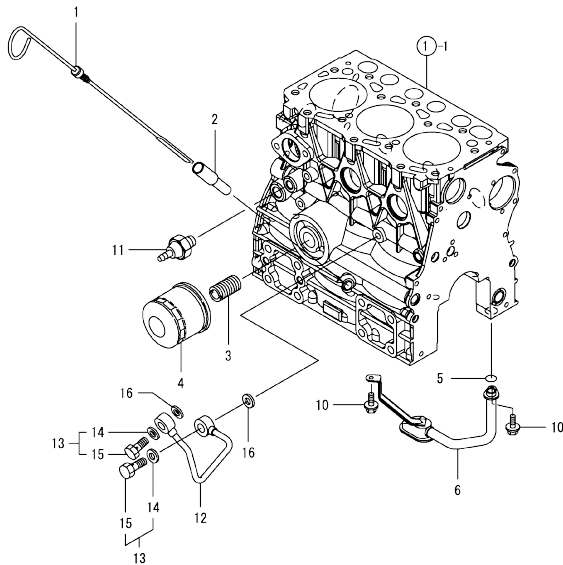
Fig.8. CRANKSHAFT & PISTON



No.	Lev.	Parts No.	Description	Q'ty						I	R
				(A)	(B)	(C)	(D)	(E)	(F)		
1	1	119515-21700	CRANKSHAFT ASSY	1							
2	2	129100-01580	PIN, M8X16	1							
4	2	119717-21200	GEAR, CRANKSHAFT	1							
5	2	22512-040120	KEY, 4X 12	1							
7	1	121111-21501	BOLT, FLYWHEEL	5							
8	1	119746-21570	FLYWHEEL ASSY	1							
10	2	119865-21600	GEAR, RING	1							
11	1	119717-21650	V-PULLEY	1							
12	1	119621-21681	BOLT, FLANGE 12X1.25	1							
13	1	119620-21941	WASHER	1							
14	1	119515-22080	PISTON ASSY	3							
16	2	119515-22500	RING SET, PISTON	3							
20	1	119515-22300	PIN, PISTON	3							
21	1	22252-000220	RING, 22	6							
22	1	119515-23000	ROD ASSY, CONNECTING	3							
25	2	119717-23200	BOLT, CONNECTING ROD	6							
26	2	119515-23601	BEARING, CRANK PIN	3							
28	1	119717-23910	BEARING, PISTON PIN	3							1
29	1	119515-23611	METAL ASSY, 0.25	3							2
31	1	119515-22900	PISTON ASSY, 0.25 OS	3							3
33	2	119515-22550	RING SET, 0.25 OS	3							3

Remarks
 (1) REPAIR PART.
 (2) UNDER-SIZED(U.S=0.25)PART.
 (3) OVER-SIZED(O.S=0.25)PART.

Fig.9. LUB.OIL SYSTEM



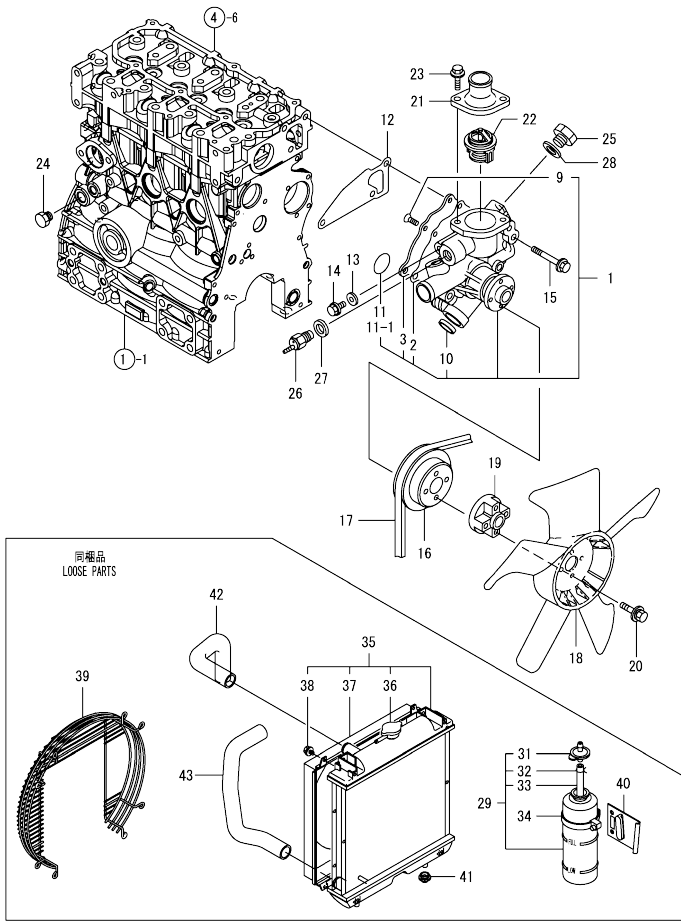
(A)=3TNV70-HAGR
(B)=
(C)=

(D)=
(E)=
(F)=

No.	Lev.	Parts No.	Description	Q'ty						I	R
				(A)	(B)	(C)	(D)	(E)	(F)		
1	1	119546-34801	DIPSTICK, OIL	1							
2	1	121520-34810	GUIDE, DIPSTICK	1							
3	1	129100-35140	STUD	1							
4	1	119305-35151	FILTER ASSY, D68XL65	1							1
5	1	119717-32060	O-RING, P15.0	1							
6	1	119546-35080	PIPE ASSY, OIL INLET	1							
10	1	26106-060102	BOLT, M6X 10 PLATED	2							
11	1	114250-39450	SWITCH, 0.5KG	1							
12	1	119717-39210	PIPE, OIL	1							
13	1	129005-59830	BOLT ASSY, JOINT M8	2							
14	2	22190-080002	WASHER, SEAL 6	2							
15	2	23857-030000	BOLT, JOINT 3	2							
16	1	22190-080002	WASHER, SEAL 6	2							

Remarks
(1) REPAIR PART.

Fig.10. COOLING WATER SYSTEM



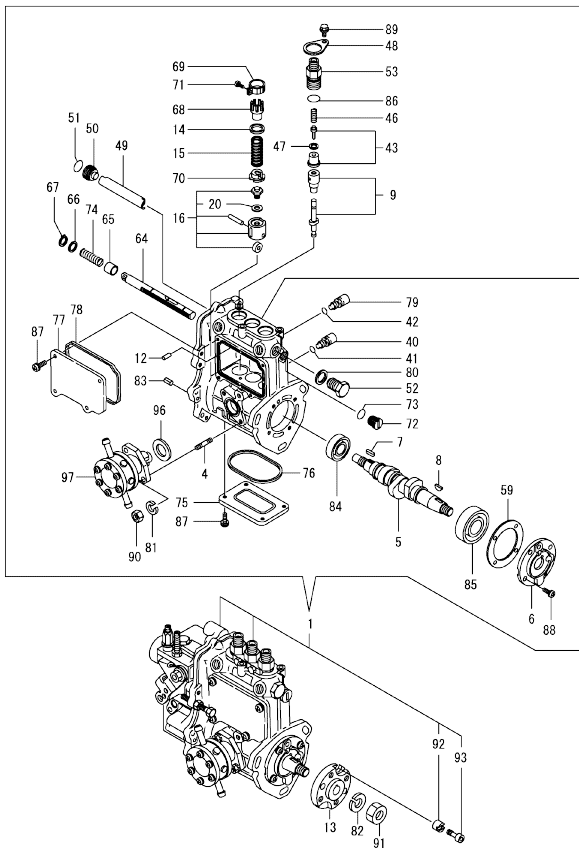
No.	Lev.	Parts No.	Description	Q'ty						I	R
				(A)	(B)	(C)	(D)	(E)	(F)		
1	1	119515-42001	PUMP ASSY, WATER	1							
1-1	1	119515-42002	PUMP ASSY, WATER	1							N
(A=2012.03.)											
2	2	119717-42031	GASKET	1							
3	2	119515-42041	COVER	1							
9	2	26577-060122	SCREW, M6X12	4							
10	2	27241-250000	PLUG, 25	1							
11	2	119717-42320	O-RING, P26	1							
11-1	2	119C10-42320	O-RING, 2028	1							S
(A=2012.03.)											
12	1	119515-42020	GASKET, WATER PUMP	1							
13	1	23414-080000	GASKET, 8X1.0	1							
14	1	26106-080122	BOLT, M8X 12 PLATED	1							
15	1	26106-080502	BOLT, M8X 50 PLATED	3							
16	1	119717-42350	V-PULLEY, D=100	1							
17	1	171001-42290	V-BELT, A35.5	1							
18	1	119265-44740	FAN, D=310X5F	1							
19	1	121267-44760	SPACER, FAN	1							
20	1	26106-060302	BOLT, M6X 30 PLATED	4							
21	1	129350-49530	COVER, THERMOSTAT	1							
22	1	119717-49800	THERMOSTAT, 71C	1							
23	1	26106-080202	BOLT, M8X 20 PLATED	2							
24	1	171056-49120	PLUG, DRAIN R1/4	1							
25	1	121450-42450	PLUG, M16	1							
26	1	121250-44901	SWITCH, THERMO 110	1							
27	1	124465-44950	GASKET, 16	1							
28	1	124465-44950	GASKET, 16	1							
29	1	124450-44510	TANK ASSY, SUB	1							
31	2	124450-44530	CAP, SUB-TANK	1							
32	2	124450-44560	CLAMP, HOSE	1							
33	2	23061-070230	PIPE, 7X 230	1							
34	1	124450-44550	BAND, SUB-TANK	1							
35	1	119515-44560	RADIATOR	1							
36	2	129107-44590	CAP, RADIATOR	1							
37	2	119515-44600	SHROUD	1							
38	2	26014-060122	BOLT, M6X 12	4							
39	1	119802-44560	GUARD	1							
40	1	121256-44600	BRACKET, SUB TANK	1							
41	1	119255-44660	ABSORBER	2							
42	1	119802-49010	HOSE, WATER	1							
43	1	119802-49020	PIPE, WATER	1							

N:Old $\frac{100}{100}$ New, Q:Old $\frac{100}{100}$ New, R:Old $\frac{100}{100}$ New, S:Old $\frac{100}{100}$ New, W:Add, Z:Discontinued, F:Interchangeable by set, K:Q'ty Change
 Copyright (C) YANMAR GLOBAL CS CO., LTD. All Rights Reserved.

Fig.11. FUEL INJECTION PUMP

(A)=3TNV70-HAGR
(B)=
(C)=

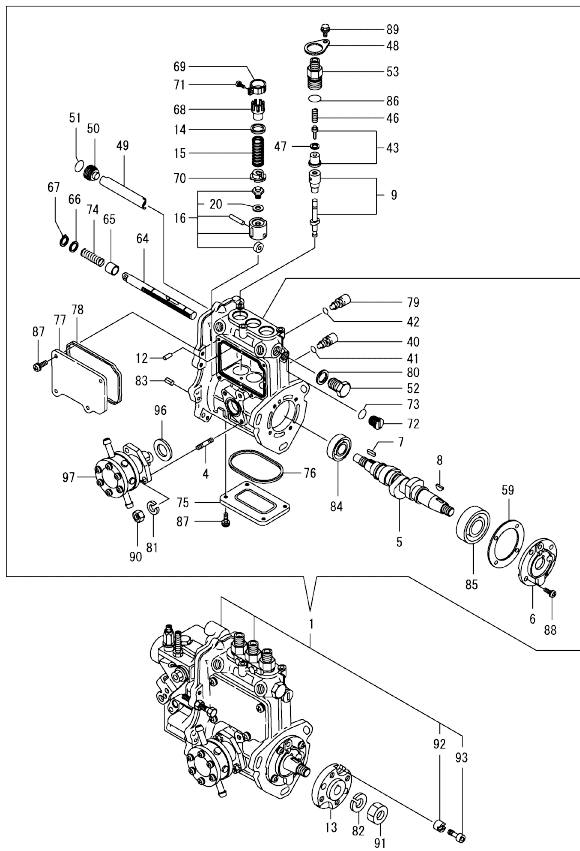
(D)=
(E)=
(F)=



No.	Lev.	Parts No.	Description	(A)	(B)	(C)	(D)	(E)	(F)	Q'ty	I	R
1	1	719546-51360	PUMP ASSY, INJECTION	1								1
4	2	129155-51020	STUD		2							
5	2	119717-51030	CAMSHAFT	1								
6	2	119717-51060	SUPPORT, CAMSHAFT	1								
7	2	119717-51070	KEY	1								
8	2	122710-51090	KEY	1								
9	2	119415-51100	PLUNGER ASSY	3								
12	2	129155-51140	PIN	3								
13	2	119717-51150	FLANGE	1								
14	2	158600-51170	RETAINER, SPRING	3								
15	2	119717-51190	SPRING, PLUNGER	3								
16	2	119717-51200	TAPPET ASSY	3								
20	3	129155-51600	SHIM SET, ADJUSTING	3								
40	2	158600-51270	STOPPER, TAPPET	3								
41	2	129155-51280	O-RING, S6	3								
42	2	129155-51280	O-RING, S6	1								
43	2	119717-51300	VALVE ASSY, DELIVERY	3								
46	2	119717-51330	SPRING, DELIVERY	3								
47	2	124550-51350	GASKET, DELIVERY	3								
48	2	118400-51370	LOCKING	3								
49	2	129155-51400	DEFLECTOR	1								
50	2	158600-51410	PLUG, DEFLECTOR	1								
51	2	119717-51420	O-RING	1								
52	2	158600-51420	PLUG, DEFLECTOR	1								
53	2	158600-51442	VALVE ASSY, DELIVERY	3								
59	2	129155-51450	SHIM SET, ADJUSTING	1								
64	2	119717-51500	RACK, CONTROL	1								
65	2	129155-51521	BUSH, RACK	1								
66	2	129155-51530	SPACER	1								
67	2	129155-51540	CIRCLIP	1								
68	2	129155-51550	PINION, CONTROL	3								
69	2	129100-51560	PINION	3								
70	2	119717-51570	RETAINER, SPRING	3								
71	2	129100-51570	SCREW	3								
72	2	158600-51570	PLUG	1								
73	2	129155-51580	O-RING	1								
74	2	129155-51591	SPRING, RACK	1								
75	2	129155-51701	COVER	1								
76	2	119717-51711	GASKET	1								
77	2	119717-51750	COVER	1								
78	2	119717-51761	GASKET	1								
79	2	158600-51790	STOOPER, RACK	1								
80	2	22190-160002	WASHER, SEAL 16	1								
81	2	22217-060000	WASHER, SPRING 6	2								
82	2	22217-120000	WASHER, SPRING 12	1								
83	2	22351-050010	PIN, SPRING 5.0X10	2								
84	2	24101-060034	BEARING, BALL 6003	1								
85	2	24101-063034	BEARING, BALL 6303	1								
86	2	24316-000150	O-RING, 4DP15.0	3								
87	2	26022-050122	SCREW, M5X12	8								
88	2	26022-060162	SCREW, M6X16	4								

Remarks
(1) GOVERNOR ASSY(FIG.12) IS
INCORPORATED IN THIS FOP.CMP
(REF.NO.1).

Fig.11. FUEL INJECTION PUMP



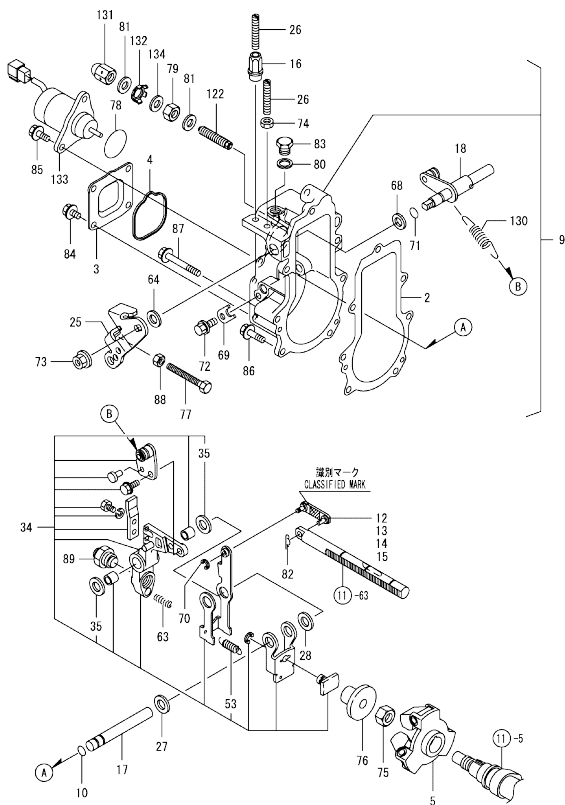
(A)=3TNV70-HAGR
(B)=
(C)=

(D)=
(E)=
(F)=

No.	Lev.	Parts No.	Description	Q'ty					
				(A)	(B)	(C)	(D)	(E)	(F)
89	2	26106-050102	BOLT, M5X 10 PLATED	3					
90	2	26716-060002	NUT, M6	2					
91	2	26716-120002	NUT, M12	1					
92	2	119717-51480	COLLAR	1					
93	2	119717-51490	BOLT	1					
96	2	129155-52051	GASKET	1					
97	2	129100-52101	PUMP ASSY, FUEL FEED	1					

Remarks
(1) GOVERNOR ASSY(FIG.12) IS
INCORPORATED IN THIS FOP.CMP
(REF.NO.1).

Fig.12. GOVERNOR



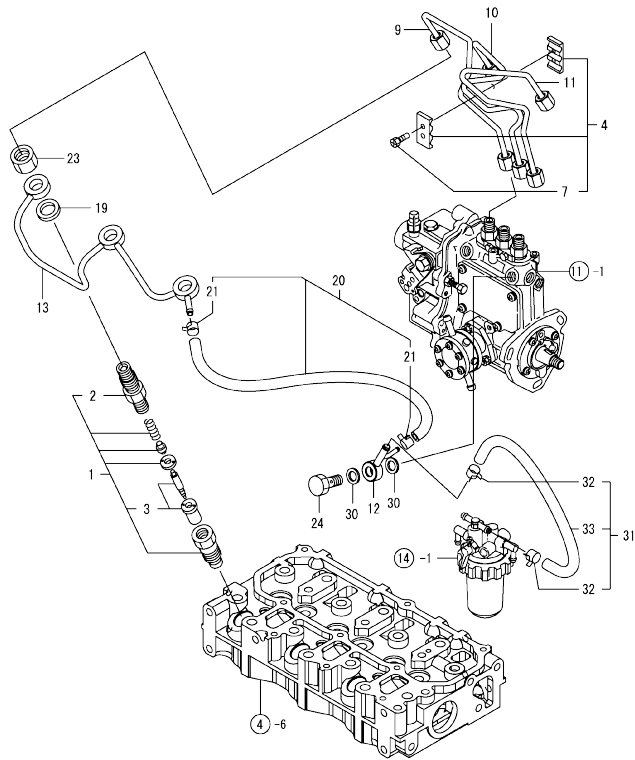
Remarks

* THIS FIGURE(GOVERNOR ASSY)IS INCORPORATED IN THE FUEL INJECTION PUMP ASSY(FIG.11).

(1) SELECTIVE PARTS:CERTAIN THE CLASSIFICATION MARK THEN PLACE YOUR ORDER(REF.TO ILLUSTRATION).

No.	Lev.	Parts No.	Description	Q'ty						I	R
				(A)	(B)	(C)	(D)	(E)	(F)		
2	2	119717-61050	GASKET	1							
3	2	119717-61060	COVER, GOVERNOR CASE	1							
4	2	119717-61070	GASKET	1							
5	2	119717-61201	WEIGHT ASSY,GOVERNOR	1							
9	2	119546-61300	CASE ASSY, GOVERNOR	1							
10	3	129155-51280	O-RING, S6	1							
12	3	119717-61120	LINK, MARK :3	1							1
13	3	119717-61130	LINK, MARK 98	1							1
14	3	119717-61140	LINK, MARK 88	1							1
15	3	119717-61150	LINK, MARK 03	1							1
16	3	129209-61370	NUT, M6	1							
17	3	129052-61390	SHAFT	1							
18	3	119717-61400	SHAFT ASSY	1							
25	3	119546-61440	LEVER, CONTROL	1							
26	3	129155-61450	BOLT, LIMITER	2							
27	3	129156-61460	SHIM, T=0.6	1							
28	3	129155-61480	SPACER ASSY	1							
34	3	119717-61500	LEVER ASSY, GOVERNOR	1							
35	4	174307-51700	SHIM SET	2							
53	4	129486-61540	SPRING, SET	1							
63	3	129100-61650	SPRING, CONTROLLER	1							
64	3	158552-61700	SHIM SET	1							
68	3	158552-61710	SHIM, T=1.0	1							
69	3	119660-61901	RETAINER, SHAFT	1							
70	3	22272-000030	RING, E- 3	1							
71	3	24341-000070	O-RING, 1AS7.0	1							
72	3	26106-060102	BOLT, M6X 10 PLATED	1							
73	3	26366-080002	NUT, M8	1							
74	3	26756-060002	NUT, LOCK M6	1							
75	2	129008-61301	NUT	1							
76	2	129155-61341	SLEEVE	1							
77	2	129155-61460	BOLT, IDLE	1							
78	2	158552-61900	O-RING	1							
79	2	129209-61920	NUT, ARB	1							
80	2	22190-100002	WASHER, SEAL 10	1							
81	2	22190-120002	WASHER, SEAL 12	2							
82	2	22372-040000	PIN, SNAP 4	1							
83	2	23887-100002	PLUG, 10	1							
84	2	26106-060102	BOLT, M6X 10 PLATED	4							
85	2	26106-060142	BOLT, M6X 14 PLATED	2							
86	2	26106-060202	BOLT, M6X 20 PLATED	4							
87	2	26106-060452	BOLT, M6X 45 PLATED	3							
88	2	26756-060002	NUT, LOCK M6	1							
89	2	119761-61560	ANGLEICH ASSY	1							
122	2	158601-61700	LIMITER ASSY, FUEL	1							
130	2	129500-61720	SPRING, GOVERNOR	1							
131	2	129209-61930	NUT, CAP	1							
132	2	129209-61970	PLATE	1							
133	2	119653-77950	SOLENOID, STOP	1							
134	2	23414-120016	GASKET, 12X1.0	1							

Fig.13. FUEL INJECTION VALVE



(A)=3TNV70-HAGR
(B)=
(C)=

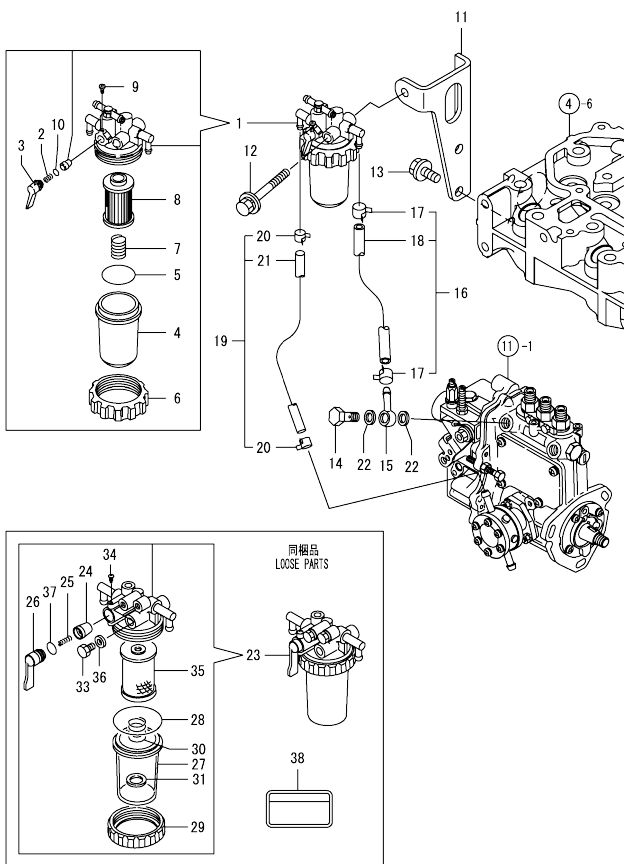
(D)=
(E)=
(F)=

No.	Lev.	Parts No.	Description	Q'ty						I	R
				(A)	(B)	(C)	(D)	(E)	(F)		
1	1	119515-53001	VALVE ASSY,INJECTION	3							
2	2	118200-53010	HOLDER, NOZZLE	3							
3	2	119515-53010	VALVE ASSY,INJECTION	3							
4	1	129150-59120	RETAINER, PIPE	1							
7	2	129150-59131	BOLT, M4X14	2							
9	1	119546-59810	PIPE ASSY, INJECTION	1							
10	1	119546-59820	PIPE ASSY, INJECTION	1							
11	1	119546-59830	PIPE ASSY, INJECTION	1							
12	1	119840-59570	JOINT	1							
13	1	119515-59540	PIPE ASSY, RETURN	1							
19	1	129901-59560	GASKET	3							
20	1	119540-59570	PIPE ASSY, RETURN	1							
21	2	124066-59100	CLIP, HOSE 8	2							
23	1	119620-59700	NUT, NOZZLE	3							
24	1	119813-59950	VALVE ASSY, CHECK	1							
30	1	22190-120002	WASHER, SEAL 12	2							
31	1	129210-59150	PIPE ASSY, FUEL	1							
32	2	124766-59050	CLIP, HOSE 12	2							
33	2	105025-59530	PIPE, FUEL D13X400	1							

Remarks
(1) REPAIR PART.

N:Old $\frac{100}{100}$ New, Q:Old $\frac{100}{100}$ New, R:Old $\frac{100}{100}$ New, S:Old $\frac{100}{100}$ New, W:Add, Z:Discontinued, F:Interchangeable by set, K:Q'ty Change
Copyright (C) YANMAR GLOBAL CS CO., LTD. All Rights Reserved.

Fig.14. FUEL LINE

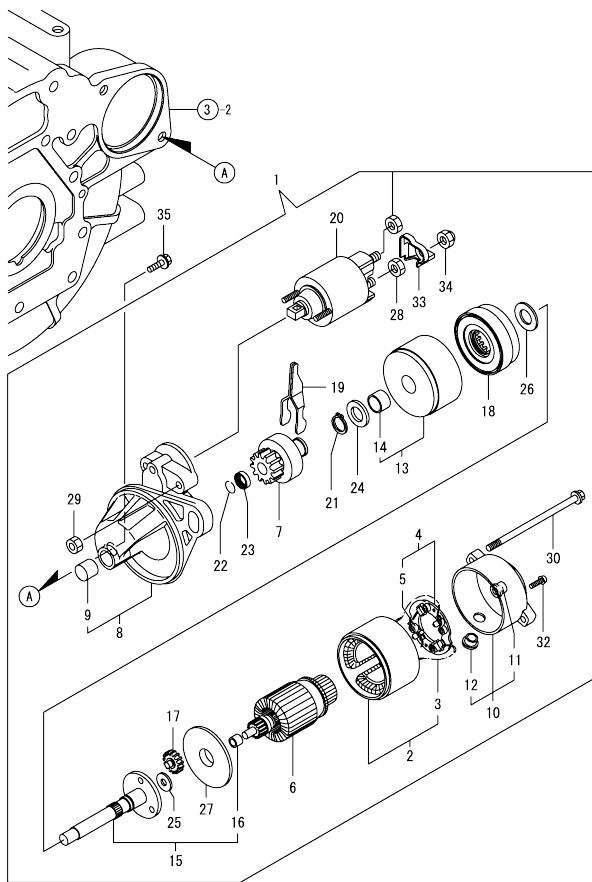


(A)=3TNV70-HAGR
(B)=
(C)=

(D)=
(E)=
(F)=

No.	Lev.	Parts No.	Description	Q'ty						I	R
				(A)	(B)	(C)	(D)	(E)	(F)		
1	1	119833-55620	FILTER ASSY, FUEL	1							
2	2	104200-55330	SPRING, VALVE	1							
3	2	119810-55340	LEVER	1							
4	2	121254-55510	COVER	1							
5	2	102103-55520	O-RING	1							
6	2	110250-55610	RING, RETAINING	1							
7	2	121250-55620	SPRING	1							
8	2	119810-55650	ELEMENT	1							
9	2	104200-55750	SCREW, M4	1							
10	2	24311-240100	O-RING, 1AP10A	1							
11	1	119717-55650	BRACKET, FILTER	1							
12	1	26014-080702	BOLT, M8X 70	1							
13	1	26106-080162	BOLT, M8X 16 PLATED	2							
14	1	103854-39140	BOLT, PIPE JOINT	1							
15	1	101304-59020	JOINT, PIPE 12	1							
16	1	129210-59080	PIPE ASSY, FUEL	1							
17	2	124766-59050	CLIP, HOSE 12	2							
18	2	129136-59110	PIPE, D13/7.5X270	1							
19	1	129210-59150	PIPE ASSY, FUEL	1							
20	2	124766-59050	CLIP, HOSE 12	2							
21	2	105025-59530	PIPE, FUEL D13X400	1							
22	1	22190-120002	WASHER, SEAL 12	2							
23	1	129335-55700	SEPARATOR ASSY, WATER	1							
24	2	104200-55321	VALVE, TAPER	1							
25	2	104200-55330	SPRING, VALVE	1							
26	2	104200-55341	HANDLE	1							
27	2	124064-55510	COVER	1							
28	2	102103-55520	O-RING	1							
29	2	110250-55610	RING, RETAINING	1							
30	2	121257-55720	SPRING	1							
31	2	121257-55731	FLOAT	1							
33	2	101720-55750	PLUG, 6	2							
34	2	104200-55750	SCREW, M4	1							
35	2	171081-55910	SCREEN	1							
36	2	23418-060000	GASKET, 6X1.0	2							
37	2	24311-240100	O-RING, 1AP10A	1							
38	1	114110-07760	LABEL, FUEL CAUTION	1							

Fig.15. STARTING MOTOR



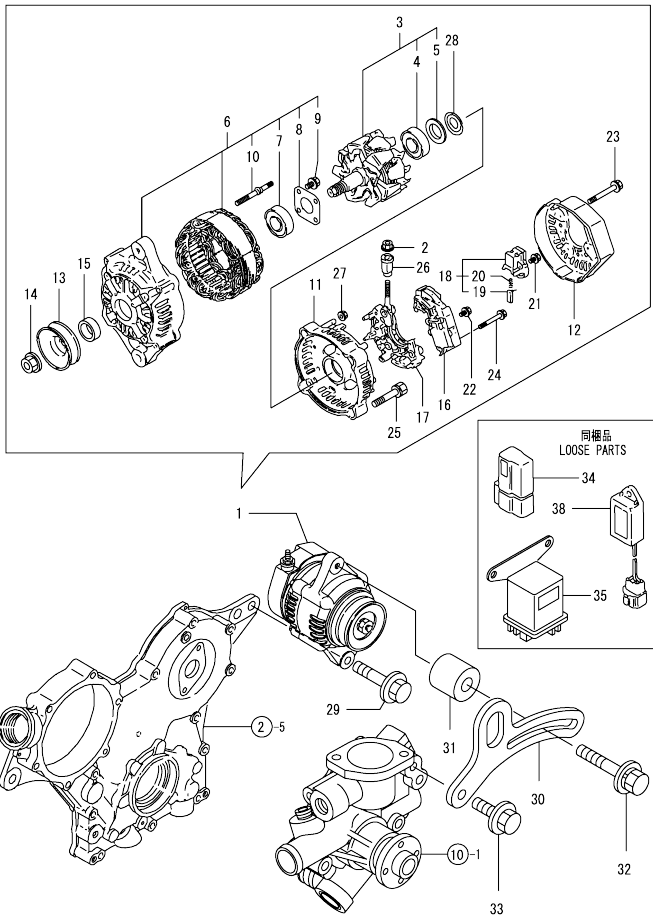
(A)=3TNV70-HAGR
(B)=
(C)=

(D)=
(E)=
(F)=

No.	Lev.	Parts No.	Description	Qty						I	R
				(A)	(B)	(C)	(D)	(E)	(F)		
1	1	119515-77010	STARTER	1							
2	2	X0281007680	YOKE ASSY	1							
3	3	X0280996180	STARTER KIT	2							
4	2	X0285105190	HOLDER ASSY	1							
5	3	X0285205030	SPRING	4							
6	2	X0282005871	ARMATURE ASSY	1							
7	2	X0283006960	CLUTCH ASSY	1							
8	2	X4284001590	HOUSING ASSY	1							
9	3	X9491050100	BEARING, NEEDLE	1							
10	2	X0285007030	FRAME ASSY	1							
11	3	X9491040990	BEARING	1							
12	3	X0280626010	COVER	1							
13	2	X0284105040	BEARING ASSY	1							
14	3	X9491034330	BEARING	1							
15	2	X0286105010	SHAFT ASSY	1							
16	3	X9491034320	BEARING	1							
17	2	X0286305010	GEAR	3							
18	2	X0286355010	GEAR	1							
19	2	X0287405140	LEVER	1							
20	2	X0534007800	SWITCH ASSY	1							
21	2	X9055715000	RING	1							
22	2	X9490721360	RING	1							
23	2	X0280210331	NUT	1							
24	2	X9490138110	WASHER	1							
25	2	X9490138090	WASHER	1							
26	2	X9490138100	WASHER	1							
27	2	X0284525010	PLATE	1							
28	2	X9490562360	NUT	1							
29	2	X9490560750	NUT	2							
30	2	X9490423520	BOLT, THROUGH	2							
32	2	X9490065670	SCREW, M4X6	2							
33	2	X0280335360	COVER, TERMINAL	1							
34	2	X1289510130	NUT	1							
35	1	26106-100252	BOLT, M10X 25 PLATED	2							

OCW10-M52000 3TNV70-HAGR
 Fig.16. GENERATOR

OCW10-M52000 Fig.16



(A)=3TNV70-HAGR
 (B)=
 (C)=

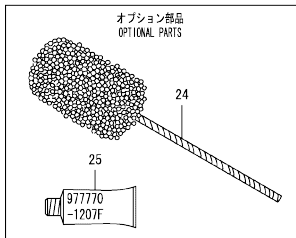
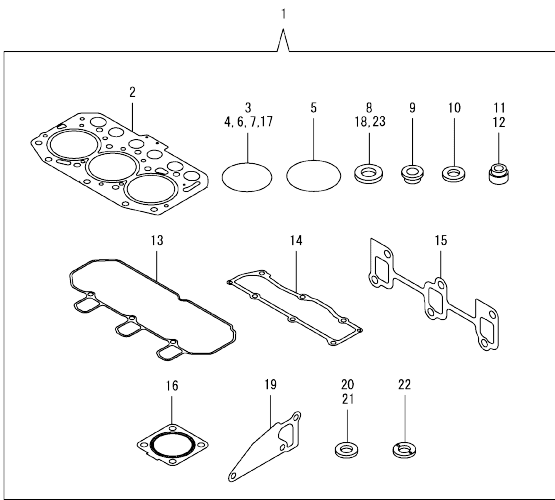
(D)=
 (E)=
 (F)=

No.	Lev.	Parts No.	Description	Q'ty						I	R
				(A)	(B)	(C)	(D)	(E)	(F)		
1	1	129423-77200	GENERATOR, 12V-40A	1							
2	2	X9490561001	NUT	1							
3	2	119620-77380	ROTOR ASSY	1							
4	3	123501-79240	BEARING, BALL	1							
5	3	119620-79250	COVER	1							
6	2	119620-77421	FRAME ASSY, DRIVE	1							
7	3	119620-79200	BEARING, BALL	1							
8	3	119620-79210	PLATE, RETAINER	1							
9	3	119620-79220	SCREW	4							
10	3	119620-79230	STUD	2							
11	2	119620-77440	FRAME ASSY	1							
12	2	129240-79300	COVER	1							
13	2	119620-77461	PULLEY	1							
14	2	119620-77471	NUT	1							
15	2	119620-77490	COLLAR	1							
16	2	129423-77710	REGULATOR ASSY	1							
17	2	119620-79260	HOLDER	1							
18	2	129052-79270	HOLDER, BRUSH	1							
19	3	119620-77480	BRUSH ASSY	2							
20	3	119620-79280	SPRING	2							
21	2	119620-79290	SCREW	6							
22	2	119620-79300	SCREW	1							
23	2	119620-79310	BOLT	3							
24	2	119620-79320	SCREW	2							
25	2	119620-79330	BOLT	2							
26	2	119620-79340	BUSH, INSULATION	1							
27	2	119620-79350	NUT	2							
28	2	119620-79360	WASHER, THRUST	1							
29	1	26106-100452	BOLT, M10X 45 PLATED	1							
30	1	119940-77270	SPACER, GENERATOR	1							
31	1	119717-77340	ADJUSTER	1							
32	1	129972-77341	BOLT, ADJUSTER L=50	1							
33	1	26106-080202	BOLT, M8X 20 PLATED	1							
34	1	119643-66900	DIODE	1							
35	1	119650-77910	RELAY ASSY, GLOW	1							
38	1	129211-77920	TIMER	1							

N:Old $\frac{100}{100}$ New, Q:Old $\frac{100}{100}$ New, R:Old $\frac{100}{100}$ New, S:Old $\frac{100}{100}$ New, W:Add, Z:Discontinued, F:Interchangeable by set, K:Q'ty Change
 Copyright (C) YANMAR GLOBAL CS CO., LTD. All Rights Reserved.

OCW10-M52000 3TNV70-HAGR
 Fig.17. GASKET SET

OCW10-M52000 Fig.17



(A)=3TNV70-HAGR
 (B)=
 (C)=

(D)=
 (E)=
 (F)=

No.	Lev.	Parts No.	Description	Qty						I	R	
				(A)	(B)	(C)	(D)	(E)	(F)			
1	1	719515-92620	GASKET SET	1							1	
2	2	119515-01330	GASKET, HEAD	1								
3	2	119624-32040	O-RING, P12.0	1								
4	2	119717-32050	O-RING, P17.0	3								
5	2	121850-51960	O-RING	1								
6	2	24311-000320	O-RING, 1AP32.0	2								
7	2	24341-000240	O-RING, 1AS24.0	1								
8	2	22190-160002	WASHER, SEAL 16	1								
9	2	129901-11450	PROTECTOR, NOZZLE	3								
10	2	119600-11460	GASKET, NOZZLE	6								
11	2	119717-11340	SEAL, VALVE STEM	3								
12	2	119717-11350	SEAL, VALVE STEM	3								
13	2	119515-11310	GASKET, BONNET	1								
14	2	119515-11330	GASKET	1								
15	2	119717-13110	GASKET	1								
16	2	119515-13200	GASKET, SILENCER	1								
17	2	119717-32060	O-RING, P15.0	1								
18	2	22190-080002	WASHER, SEAL 6	4								
19	2	119515-42020	GASKET, WATER PUMP	1								
20	2	23414-080000	GASKET, 8X1.0	1								
21	2	124465-44950	GASKET, 16	2								
22	2	129901-59560	GASKET	3								
23	2	22190-120002	WASHER, SEAL 12	4								
24	1	129400-92410	HONE	1								1
25	1	977770-1207F	GASKET,LIQUID	1								1

Remarks
 (1) OPTIONAL PART.

N:Old $\frac{100}{100}$ New, Q:Old $\frac{100}{100}$ New, R:Old $\frac{100}{100}$ New, S:Old $\frac{100}{100}$ New, W:Add, Z:Discontinued, F:Interchangeable by set, K:Qty Change
 Copyright (C) YANMAR GLOBAL CS CO., LTD. All Rights Reserved.

Parts No. Index

Parts No.	Fig. No.	Ref. No.
101304-59020	14	15
101720-55750	14	33
102103-55520	14	5
		28
103854-39140	14	14
104200-55321	14	24
104200-55330	14	2
		25
104200-55341	14	26
104200-55750	14	9
		34
105010-11490	4	5
105025-59530	13	33
	14	21
105027-12580	5	6
105311-01090	1	4
105425-01690	3	11
110250-55610	14	6
		29
114110-07760	14	38
114250-39450	9	11
118200-53010	13	2
118400-51370	11	48
119131-18320	6	5
119255-44660	10	41
119265-44740	10	18
119285-01990	1	6
119285-11990	4	13
119305-35151	9	4
119336-12570	5	5
119415-51100	11	9
119515-01200	1	26
119515-01330	1	27
	17	2
119515-01720	3	9
119515-11101	4	15
119515-11110	4	16
119515-11200	4	24
119515-11240	4	25
119515-11280	4	29
119515-11310	4	48
	17	13
119515-11320	4	49
119515-11330	4	50
	17	14
119515-11380	4	38
119515-11750	4	6
119515-11800	4	22
119515-12501	5	2
119515-12520	5	3

Parts No.	Fig. No.	Ref. No.
119515-12600	5	7
119515-13200	6	7
		11
	17	16
119515-14400	7	2
119515-14581	7	3
119515-21700	8	1
119515-22080	8	14
119515-22300	8	20
119515-22500	8	16
119515-22550	8	33
119515-22900	8	31
119515-23000	8	22
119515-23601	8	26
119515-23611	8	29
119515-42001	10	1
119515-42002	10	1 -1
119515-42020	10	12
	17	19
119515-42041	10	3
119515-44560	10	35
119515-44600	10	37
119515-53001	13	1
119515-53010	13	3
119515-59540	13	13
119515-77010	15	1
119540-59570	13	20
119546-01770	3	10
119546-34801	9	1
119546-35080	9	6
119546-59810	13	9
119546-59820	13	10
119546-59830	13	11
119546-61300	12	9
119546-61440	12	25
119600-11460	4	4
	17	10
119620-01750	3	6
119620-02020	1	7
119620-14200	7	1
119620-21941	8	13
119620-59700	13	23
119620-77380	16	3
119620-77421	16	6
119620-77440	16	11
119620-77461	16	13
119620-77471	16	14
119620-77480	16	19
119620-77490	16	15
119620-79200	16	7

Parts No.	Fig. No.	Ref. No.
119620-79210	16	8
119620-79220	16	9
119620-79230	16	10
119620-79250	16	5
119620-79260	16	17
119620-79280	16	20
119620-79290	16	21
119620-79300	16	22
119620-79310	16	23
119620-79320	16	24
119620-79330	16	25
119620-79340	16	26
119620-79350	16	27
119620-79360	16	28
119621-21681	8	12
119623-01250	1	5
119624-32040	2	18
	17	3
119643-66900	16	34
119650-77910	16	35
119653-77950	12	133
119660-01911	2	17
119660-61901	12	69
119717-01501	2	1
119717-01570	2	2
119717-01611	3	2
119717-01750	2	16
119717-01800	2	6
119717-02411	1	10
119717-02930	1	23
119717-03031	4	39
119717-03070	4	40
		41
119717-11131	4	17
119717-11190	4	19
119717-11260	4	28
119717-11340	4	20
	17	11
119717-11350	4	21
	17	12
119717-11650	4	30
119717-13109	6	1
119717-13110	6	2
	17	15
119717-13500	6	8
119717-13600	6	3
119717-21200	8	4
119717-21650	8	11
119717-23200	8	25
119717-23910	8	28

Parts No.	Fig. No.	Ref. No.
119717-25050	7	9
119717-25101	7	10
119717-25911	7	13
119717-25930	7	16
119717-32050	2	19
	17	4
119717-32060	9	5
	17	17
119717-32080	2	9
119717-32100	2	8
119717-32110	2	13
119717-32120	2	14
119717-39210	9	12
119717-42031	10	2
119717-42320	10	11
119717-42350	10	16
119717-49800	10	22
119717-51030	11	5
119717-51060	11	6
119717-51070	11	7
119717-51150	11	13
119717-51190	11	15
119717-51200	11	16
119717-51300	11	43
119717-51330	11	46
119717-51420	11	51
119717-51480	11	92
119717-51490	11	93
119717-51500	11	64
119717-51570	11	70
119717-51711	11	76
119717-51750	11	77
119717-51761	11	78
119717-55650	14	11
119717-61050	12	2
119717-61060	12	3
119717-61070	12	4
119717-61120	12	12
119717-61130	12	13
119717-61140	12	14
119717-61150	12	15
119717-61201	12	5
119717-61400	12	18
119717-61500	12	34
119717-77340	16	31
119717-77800	4	57
119717-77820	4	58
119734-01580	2	3
119744-01521	2	5
119746-21570	8	8

Parts No. Index

Parts No.	Fig. No.	Ref. No.	Parts No.	Fig. No.	Ref. No.	Parts No.	Fig. No.	Ref. No.	Parts No.	Fig. No.	Ref. No.
119761-12020	5	1	124465-44950	17	21	129210-59080	14	16	22252-000220	8	21
119761-61560	12	89	124550-51350	11	47	129210-59150	13	31	22272-000030	12	70
119802-03100	4	42	124766-59050	13	32		14	19	22351-050010	11	83
119802-03110	4	43		14	17	129211-77920	16	38	22351-060012	4	23
119802-03121	4	44			20	129240-79300	16	12	22372-040000	12	82
119802-03131	4	45	129001-32320	2	11	129335-55700	14	23	22512-040120	8	5
119802-03141	4	46	129001-32330	2	12	129350-49530	10	21	22857-500100	4	51
119802-13620	6	4	129005-59830	9	13	129400-92410	17	24			52
119802-32130	2	15	129008-61301	12	75	129423-77200	16	1	22857-500160	4	53
119802-44560	10	39	129052-61390	12	17	129423-77710	16	16	23000-054000	5	8
119802-49010	10	42	129052-79270	16	18	129486-35210	3	4	23061-070230	10	33
119802-49020	10	43	129100-01580	3	1	129486-61540	12	53	23414-080000	10	13
119808-12540	5	4		8	2	129500-61720	12	130		17	20
119810-02941	1	34	129100-35140	9	3	129508-11180	4	18	23414-120016	12	134
119810-55340	14	3	129100-51560	11	69	129900-07900	4	1	23418-060000	14	36
119810-55650	14	8	129100-51570	11	71	129900-32130	2	10	23857-030000	9	15
119813-59950	13	24	129100-52101	11	97	129901-11450	4	3	23876-005000	4	14
119833-55620	14	1	129100-61650	12	63		17	9	23876-030000	2	7
119840-59570	13	12	129107-44590	10	36	129901-59560	13	19	23887-100002	12	83
119865-21600	8	10	129136-59110	14	18		17	22	24101-060034	11	84
119940-77270	16	30	129150-11230	4	31	129972-77341	16	32	24101-063034	11	85
119C10-42320	10	11	129150-11750	4	33	158552-61700	12	64	24311-000320	2	29
121023-01551	2	30	129150-25301	7	15	158552-61710	12	68		4	54
121111-21501	8	7	129150-59120	13	4	158552-61900	12	78		17	6
121250-44901	10	26	129150-59131	13	7	158600-51170	11	14	24311-240100	14	10
121250-55620	14	7	129155-51020	11	4	158600-51270	11	40			37
121254-55510	14	4	129155-51140	11	12	158600-51410	11	50	24316-000150	11	86
121256-44600	10	40	129155-51280	11	41	158600-51420	11	52	24341-000070	12	71
121257-55720	14	30			42	158600-51442	11	53	24341-000240	2	31
121257-55731	14	31		12	10	158600-51570	11	72		17	7
121267-44760	10	19	129155-51400	11	49	158600-51790	11	79	26013-080222	5	9
121450-42450	10	25	129155-51450	11	59	158601-61700	12	122	26014-060122	10	38
121520-34810	9	2	129155-51521	11	65	171001-42290	10	17	26014-080702	14	12
121850-51960	2	20	129155-51530	11	66	171056-49120	10	24	26022-050122	11	87
	17	5	129155-51540	11	67	171081-55910	14	35	26022-060162	11	88
122710-51090	11	8	129155-51550	11	68	174307-51700	12	35	26106-050102	11	89
123501-79240	16	4	129155-51580	11	73	22190-080002	9	14	26106-060102	9	10
124060-01050	1	11	129155-51591	11	74			16		12	72
124064-55510	14	27	129155-51600	11	20			17			84
124066-59100	13	21	129155-51701	11	75	22190-100002	12	80	26106-060122	2	21
124085-02220	3	7	129155-52051	11	96	22190-120002	12	81		3	15
124160-01751	2	28	129155-61341	12	76		13	30		7	8
	4	37	129155-61450	12	26		14	22	26106-060142	5	10
124160-01910	1	12	129155-61460	12	77		17	23		12	85
124450-44510	10	29	129155-61480	12	28	22190-160002	3	14	26106-060162	2	22
124450-44530	10	31	129156-61460	12	27		11	80			32
124450-44550	10	34	129209-61370	12	16		17	8	26106-060202	4	55
124450-44560	10	32	129209-61920	12	79	22217-060000	11	81		12	86
124465-44950	10	27	129209-61930	12	131	22217-120000	11	82	26106-060252	3	16
		28	129209-61970	12	132	22242-000120	4	34	26106-060302	10	20

Parts No. Index

Parts No.	Fig. No.	Ref. No.
26106-060352	7	14
26106-060402	2	23
		24
26106-060452	3	17
	12	87
26106-060602	2	25
26106-060652	2	26
26106-060752	4	56
26106-080122	10	14
26106-080162	4	2
	5	11
	14	13
26106-080202	10	23
	16	33
26106-080252	6	9
26106-080402	4	36
26106-080502	10	15
26106-100252	15	35
26106-100452	16	29
26206-100252	3	8
26206-100302	3	5
26306-080002	2	27
	6	6
		10
26366-080002	12	73
26577-060122	10	9
26716-060002	11	90
26716-120002	11	91
26756-060002	12	74
		88
26979-050162	4	35
27241-120000	1	13
27241-250000	10	10
719515-01560	1	1
719515-92620	17	1
719546-51360	11	1
719717-02901	1	28
719717-02911	1	31
719734-01510	2	4
977770-1207F	17	25
X0280210331	15	23
X0280335360	15	33
X0280626010	15	12
X0280996180	15	3
X0281007680	15	2
X0282005871	15	6
X0283006960	15	7
X0284105040	15	13
X0284525010	15	27
X0285007030	15	10

Parts No.	Fig. No.	Ref. No.
X0285105190	15	4
X0285205030	15	5
X0286105010	15	15
X0286305010	15	17
X0286355010	15	18
X0287405140	15	19
X0534007800	15	20
X1289510130	15	34
X4284001590	15	8
X9055715000	15	21
X9490065670	15	32
X9490138090	15	25
X9490138100	15	26
X9490138110	15	24
X9490423520	15	30
X9490560750	15	29
X9490561001	16	2
X9490562360	15	28
X9490721360	15	22
X9491034320	15	16
X9491034330	15	14
X9491040990	15	11
X9491050100	15	9

Parts No.	Fig. No.	Ref. No.
-----------	----------	----------

Parts No.	Fig. No.	Ref. No.
-----------	----------	----------