

0CD11-M14500EN

P R E F A C E

1. This parts catalog is the 1st edition of 3TNV70-KUSS for YAMABIKO CORPORATION.

Pub.No. : OCD11-G14500

Published : April, 2011

2. Model name

Engine model	Vehicle	Vehicle made by
3TNV70-KUSS	SPEED SPRAYOR	YAMABIKO CORPORATION

Directions for the Parts Catalog.

1. This Parts Catalog shows both standard and optional parts.
2. Parts may change without prior notice.
3. The following is an example of the Parts Catalog format.

REF.	LEV.	PARTS NO.	DESCRIPTION	Q'TY						I	R
				(A)	(B)	(C)	(D)	(E)	(F)		
1	1	729595-51390	FUEL INJECTION PUMP	1	1	1	1	1			1
1-1	1	729595-51391	FUEL INJECTION PUMP	1	1	1	1	1		N	1
		(A=E00185) (B=E00200)									
3	2	26022-060162	SCREW M 6X 16	9	9	9	9	9			
3-1	2	26022-060162	SCREW M 6X 16	4	4	4	4	4		K	
		(A=E00156) (B=E00156) (C=E00156) (D=E00156) (E=E00156)									
4	2	129470-51040	CAMSHAFT	1	1	1	1	1			
5	2	122710-51050	BEARING, ROLLER	2	2	2	2	2			
6	2	129470-51060	RETAINER	1	1	1	1	1			

Remarks
(1) BOOST COMPEMSATOR TYPE. OPTIONAL PART, TO E00155,(4JH-DT, 4JH-DTZ

① Ref. No.

The Ref. No. listed may not be in accordance with the illustration Ref. No.

(Ex.) Illustration No.

List Ref No.

1 1 (Before change) → 1-1 (After change)

For interchangeable symbols N, R and K, illustrations for new parts may be abbreviated.

② Lev. (Level)

Level indication

The numbers below indicate the level of relativity towards the main part.

1 ---- Main parts (Assembly parts)

2 ---- Sub component included in " 1 ".

3 ---- Sub component included in " 2 ".

Note) Parts that are not for sale are partially illustrated but not listed.

③ Interchangeability Symbol

When a part change takes place, one of the following interchangeability symbols is indicated beside the part.

Symbol	Interchangeability	Contents note
N	Old $\begin{matrix} \leftarrow \text{Yes} \\ \text{No} \rightarrow \end{matrix}$ New	New Part is interchangeable for Old Part but Old Part is not interchangeable for New Part.
Q	Old $\begin{matrix} \leftarrow \text{No} \\ \text{Yes} \rightarrow \end{matrix}$ New	New Part is not interchangeable for Old Part but Old Part is interchangeable for New Part.
R	Old $\begin{matrix} \leftarrow \text{Yes} \\ \text{Yes} \rightarrow \end{matrix}$ New	New/ Old Parts are both interchangeable.
S	Old $\begin{matrix} \leftarrow \text{No} \\ \text{No} \rightarrow \end{matrix}$ New	New/ Old Parts are both not interchangeable.
W		Part newly added.
Z		Part discontinued.
F		Not interchangeable by a single part but interchangeable together with related parts.
K		Changes only for used parts quantities.

④ Effective Machine No.

When a part changes, the effective Machine No. will be indicated in the (A)-(F) column.

Product Symbol	Product No.	Product Symbol	Product No.
C	Clutch No. Compressor No.	F	Machine No. (Agricultural Equip.)
D	Drive No.	M	Machine No.
E	Engine No.		

Note 1) A date may follow the symbol. (Ex.) 1996.01

Note 2) "XXXXX" and "ZZZZZ" are for parts that could not be predicted or for engine models that could not be identified.

Note 3) (A=E00185) is the E (Engine Serial Number) for the column (A) model (in this case 4JH-DT) after the parts design change.

⑤ Remarks

Figures or alphabets (symbols) are entered in the remarks column.

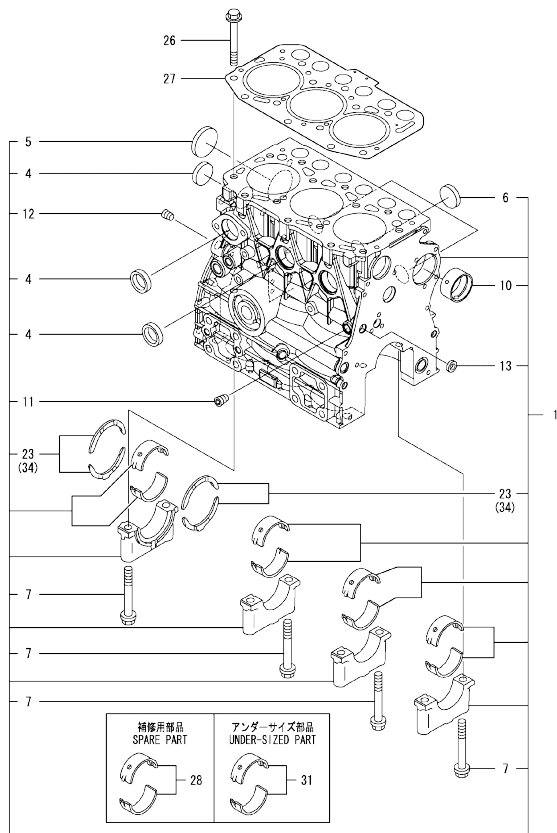
The comments (remarks) on parts that are indicated at the bottom of the illustration are the same symbols as those stated above.

Contents

OCD11-M14500

Fig. No.	Fig. Name	Fig. No.	Fig. Name
3TNV70-KUSS			
1.	CYLINDER BLOCK		
2.	GEAR HOUSING		
3.	FLYWHEEL HOUSING & OIL SUMP		
4.	CYLINDER HEAD & BONNET		
5.	AIR CLEANER		
6.	EXHAUST MANIFOLD & SILENCER		
7.	CAMSHAFT & DRIVING GEAR		
8.	CRANKSHAFT & PISTON		
9.	LUB. OIL SYSTEM		
10.	COOLING WATER SYSTEM		
11.	FUEL INJECTION PUMP		
12.	GOVERNOR		
13.	FUEL INJECTION VALVE		
14.	FUEL LINE		
15.	STARTING MOTOR		
16.	GENERATOR		
17.	GASKET SET		

Fig.1. CYLINDER BLOCK



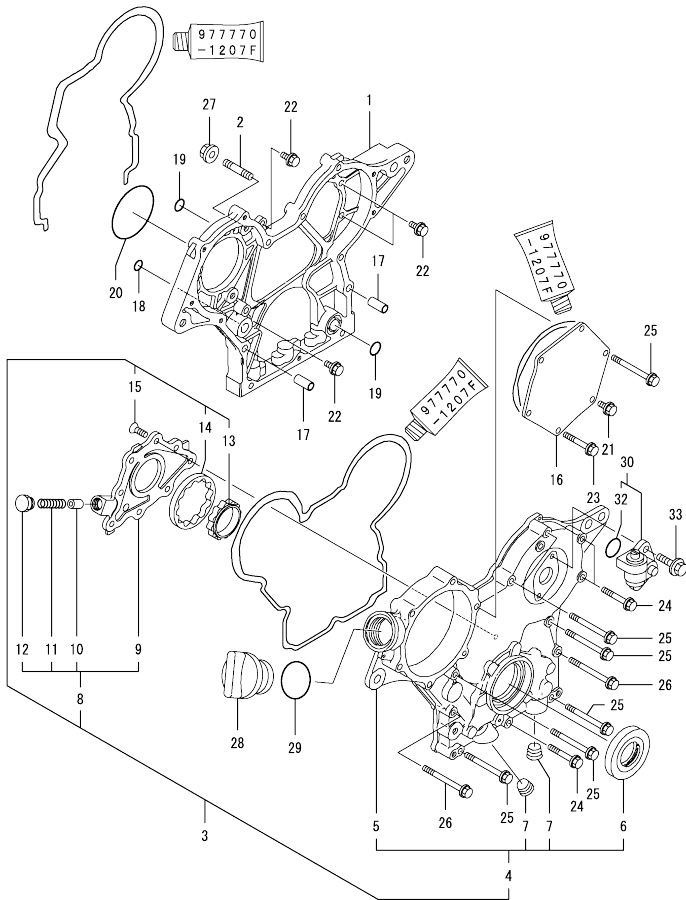
(A)=3TNV70-KUSS
(B)=
(C)=

(D)=
(E)=
(F)=

No.	Lev.	Parts No.	Description	Q'ty						I	R
				(A)	(B)	(C)	(D)	(E)	(F)		
1	1	719515-01560	BLOCK ASSY, CYLINDER	1							
4	2	105311-01090	PLUG, 30	4							
5	2	119623-01250	PLUG, 45	1							
6	2	119285-01990	PLUG, 25	3							
7	2	119620-02020	BOLT, METAL CAP	8							
10	2	119717-02411	BUSH, CAMSHAFT	1							
11	2	124060-01050	PLUG, PT1/8	1							
12	2	124160-01910	PLUG, PT1/4	1							
13	2	27241-120000	PLUG, 12	1							
23	2	119717-02930	BEARING, THRUST	2							
26	1	119515-01200	BOLT, HEAD	14							
27	1	119515-01330	GASKET, HEAD	1							
28	1	719717-02901	BEARING, MAIN	4							1
31	1	719717-02911	BEARING, 0.25 US	4							2
34	1	119810-02941	BEARING, THRUST 0.25	2							3

Remarks
 (1)Spare parts.
 (2)Under-sized(U.S.=0.25)part.
 (3)Over-sized(O.S.=0.25)part.

Fig.2. GEAR HOUSING

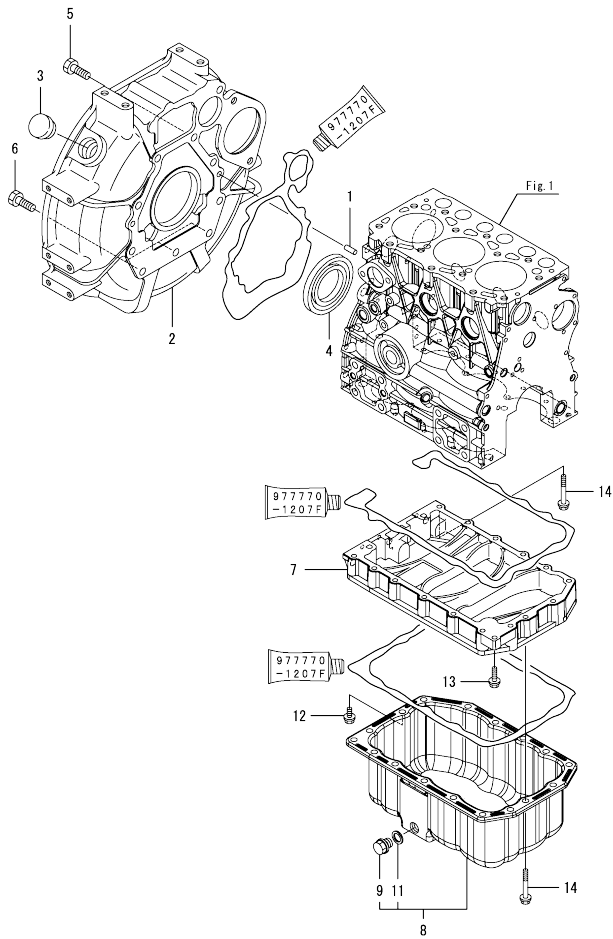


(A)=3TNV70-KUSS
(B)=
(C)=

(D)=
(E)=
(F)=

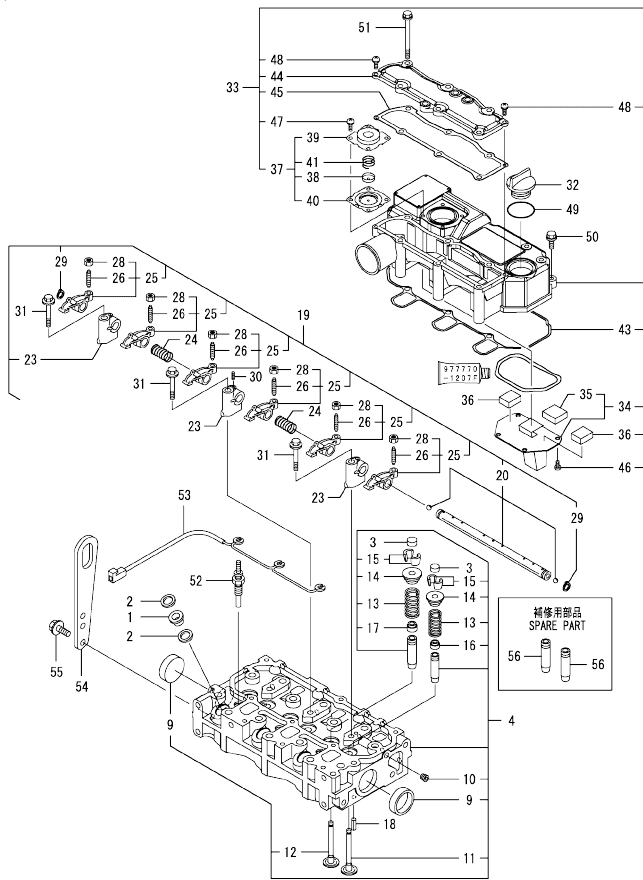
No.	Lev.	Parts No.	Description	Qty						I	R
				(A)	(B)	(C)	(D)	(E)	(F)		
1	1	119717-01501	CASE, GEAR	1							
2	1	119717-01570	STUD	3							
3	1	119734-01580	CASE ASSY, GEAR	1							
4	2	719734-01510	CASE ASSY, GEAR	1							
5	3	119744-01521	COVER, GEAR CASE	1							
6	3	119717-01800	SEAL, OIL	1							
7	3	23876-030000	PLUG, R03	2							
8	2	119717-32100	COVER ASSY	1							
9	3	119717-32080	COVER	1							
10	3	129900-32130	VALVE, RELIEF	1							
11	3	129001-32320	SPRING	1							
12	3	129001-32330	PLUG	1							
13	2	119717-32110	ROTOR, INNER	1							
14	2	119717-32120	ROTOR, OUTER	1							
15	2	119802-32130	SCREW, M6X16	8							
16	1	119717-01750	COVER	1							
17	1	119660-01911	PIPE, KNOCK	4							
18	1	119624-32040	O-RING, P12.0	1							
19	1	119717-32050	O-RING, P17.0	3							
20	1	121850-51960	O-RING	1							
21	1	26106-060122	BOLT, M6X 12 PLATED	1							
22	1	26106-060162	BOLT, M6X 16 PLATED	4							
23	1	26106-060402	BOLT, M6X 40 PLATED	4							
24	1	26106-060402	BOLT, M6X 40 PLATED	3							
25	1	26106-060602	BOLT, M6X 60 PLATED	7							
26	1	26106-060652	BOLT, M6X 65 PLATED	2							
27	1	26306-080002	NUT, M8	3							
28	1	124160-01751	COVER, FILLER	1							
29	1	24311-000320	O-RING, 1AP32.0	1							
30	1	129150-91400	GEAR	1							
32	2	24341-000240	O-RING, 1AS24.0	1							
33	1	26106-060162	BOLT, M6X 16 PLATED	2							

Fig.3. FLYWHEEL HOUSING & OIL SUMP



No.	Lev.	Parts No.	Description	Q'ty						I	R	
				(A)	(B)	(C)	(D)	(E)	(F)			
1	1	129100-01580	PIN, M8X16		2							
2	1	119515-01601	HOUSING, FLYWHEEL	1								
3	1	119620-01750	CAP	1								
4	1	124085-02220	SEAL, OIL	1								
5	1	26206-100252	BOLT, M10X 25 PLATED	7								
6	1	26206-100302	BOLT, M10X 30 PLATED	3								
7	1	119515-01720	SPACER, OIL SUMP	1								
8	1	119546-01770	SUMP ASSY, OIL	1								
9	2	105425-01690	PLUG, 16	1								
11	2	22190-160002	WASHER, SEAL 16	1								
12	1	26106-060122	BOLT, M6X 12 PLATED	1								
13	1	26106-060252	BOLT, M6X 25 PLATED	1								
14	1	26106-060452	BOLT, M6X 45 PLATED	17								

Fig.4. CYLINDER HEAD & BONNET



Remarks
(1)Spare parts.

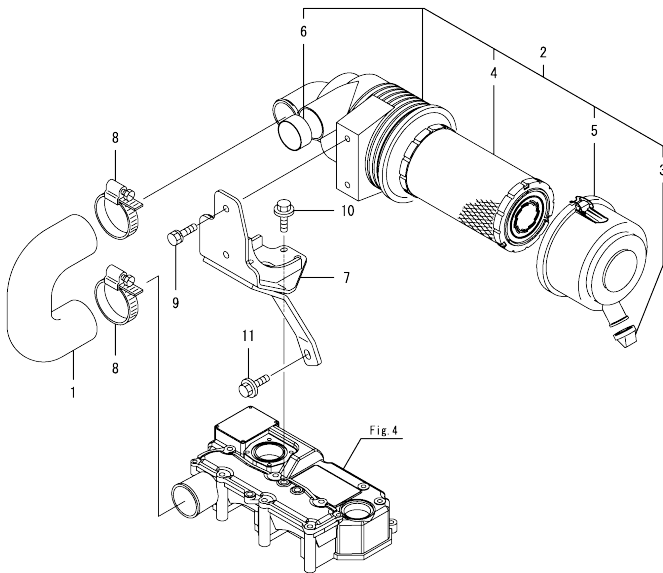
(A)=3TNV70-KUSS
(B)=
(C)=

(D)=
(E)=
(F)=

No.	Lev.	Parts No.	Description	Q'ty						I	R
				(A)	(B)	(C)	(D)	(E)	(F)		
1	1	129901-11450	PROTECTOR, NOZZLE	3							
2	1	119600-11460	GASKET, NOZZLE	6							
3	1	105010-11490	CAP, VALVE	6							
4	1	119515-11740	HEAD ASSY, CYLINDER	1							
9	2	119285-11990	PLUG, 35	2							
10	2	23876-005000	PLUG, R005	1							
11	2	119515-11101	VALVE, INTAKE	3							
12	2	119515-11110	VALVE, EXHAUST	3							
13	2	119717-11131	SPRING, VALVE	6							
14	2	129508-11180	RETAINER, SPRING	6							
15	2	119717-11190	COTTER	12							
16	2	119717-11340	SEAL, VALVE STEM	3							
17	2	119717-11350	SEAL, VALVE STEM	3							
18	1	22351-060012	PIN, SPRING 6.0X12	2							
19	1	119515-11200	SUPPORT ASSY, ARM	1							
20	2	119515-11240	SHAFT ASSY, ROCKER	1							
23	2	119717-11260	SUPPORT, ROCKER ARM	3							
24	2	119515-11280	SPRING	2							
25	2	119717-11650	ARM, ROCKER	6							
26	3	129150-11230	SCREW, VALVE ADJUST	6							
28	3	129150-11750	NUT, M8	6							
29	2	22242-000120	RING, 12	2							
30	2	26979-050162	SCREW, M5X16	1							
31	1	26106-080402	BOLT, M8X 40 PLATED	3							
32	1	124160-01751	COVER, FILLER	1							
33	1	119515-11380	BONNET ASSY, HEAD	1							
34	2	119717-03031	PLATE	1							
35	3	119717-03070	BAFFLE, BREATHER	1							
36	2	119717-03070	BAFFLE, BREATHER	2							
37	2	119802-03100	DIAPHRAGM ASSY	1							
38	3	119802-03110	PLATE	1							
39	3	119802-03121	COVER, DIAPHRAGM	1							
40	3	119802-03131	DIAPHRAGM	1							
41	3	119802-03141	SPRING, DIAPHRAGM	1							
43	2	119515-11310	GASKET, BONNET	1							
44	2	119515-11320	COVER, BONNET	1							
45	2	119515-11330	GASKET	1							
46	2	22857-500100	SCREW, 5X10	4							
47	2	22857-500100	SCREW, 5X10	4							
48	2	22857-500160	SCREW, 5X16	2							
49	1	24311-000320	O-RING, 1AP32.0	1							
50	1	26106-060202	BOLT, M6X 20 PLATED	3							
51	1	26106-060752	BOLT, M6X 75 PLATED	6							
52	1	119717-77800	PLUG, GLOW	3							
53	1	119717-77820	CONNECTOR, GLOW PLUG	1							
54	1	129900-07900	LIFTER	1							
55	1	26106-080162	BOLT, M8X 16 PLATED	2							
56	1	119515-11800	GUIDE, VALVE	6							1

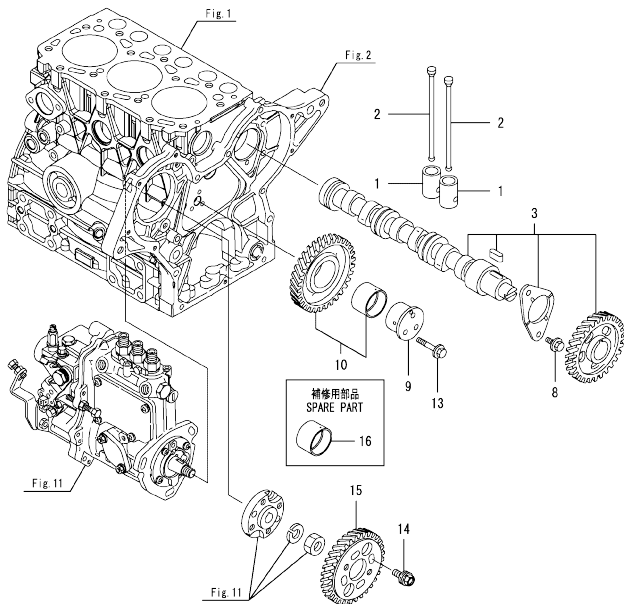
OCD11-M14500 3TNV70-KUSS
 Fig.5. AIR CLEANER

OCD11-M14500 Fig.5



No.	Lev.	Parts No.	Description	Q'ty					
				(A)	(B)	(C)	(D)	(E)	(F)
1	1	119761-12020	PIPE, AIR INTAKE	1					
2	1	119515-12501	CLEANER ASSY, AIR	1					
3	2	119808-12540	VALVE, UNLOADER	1					
4	2	119655-12560	ELEMENT	1					
5	2	119336-12570	COVER ASSY	1					
6	2	105027-12580	RING	1					
7	1	119515-12600	BRACKET, AIR CLEANER	1					
8	1	23000-054000	CLAMP, 54	2					
9	1	26013-080222	BOLT, M8X 22	2					
10	1	26106-060142	BOLT, M6X 14 PLATED	3					
11	1	26106-080162	BOLT, M8X 16 PLATED	1					

Fig.7. CAMSHAFT & DRIVING GEAR



(A)=3TNV70-KUSS
(B)=
(C)=

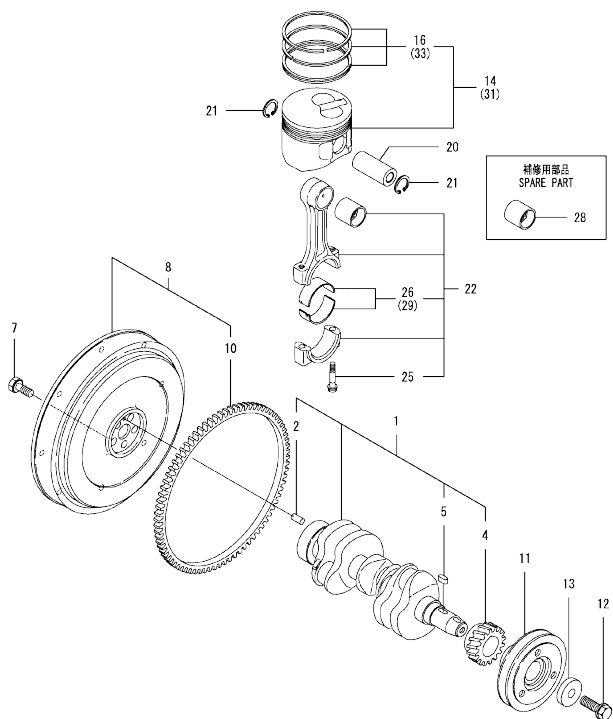
(D)=
(E)=
(F)=

No.	Lev.	Parts No.	Description	Q'ty						I	R
				(A)	(B)	(C)	(D)	(E)	(F)		
1	1	119620-14200	TAPPET	6							
2	1	119515-14400	ROD, PUSH	6							
3	1	119515-14581	CAMSHAFT ASSY	1							
8	1	26106-060122	BOLT, M6X 12 PLATED	2							
9	1	119717-25050	SHAFT, IDLE	1							
10	1	119717-25101	GEAR ASSY, IDLE	1							
13	1	26106-060352	BOLT, M6X 35 PLATED	3							
14	1	129150-25301	BOLT	4							
15	1	119717-25930	GEAR, PUMP	1							
16	1	119717-25911	BUSH, IDLE GEAR	1							1

Remarks

(1)Spare parts.

Fig.8. CRANKSHAFT & PISTON



(A)=3TNV70-KUSS
(B)=
(C)=

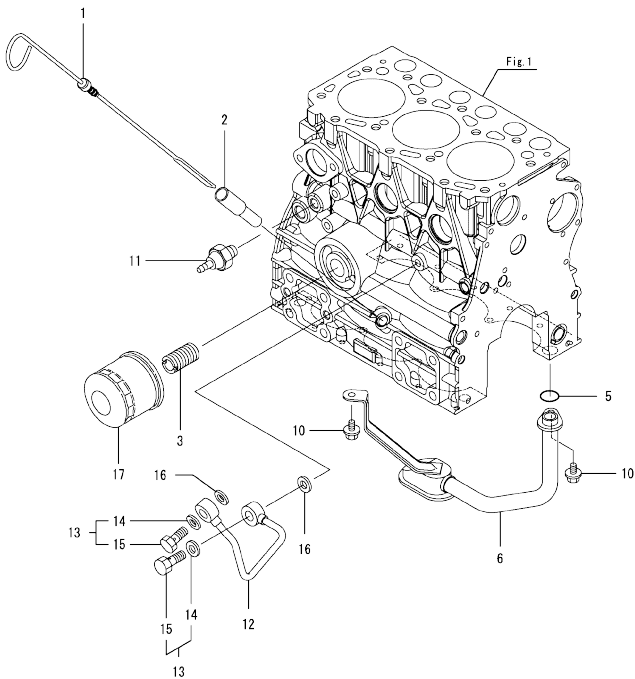
(D)=
(E)=
(F)=

No.	Lev.	Parts No.	Description	Q'ty						I	R
				(A)	(B)	(C)	(D)	(E)	(F)		
1	1	119515-21700	CRANKSHAFT ASSY	1							
2	2	129100-01580	PIN, M8X16	1							
4	2	119717-21200	GEAR, CRANKSHAFT	1							
5	2	22512-040120	KEY, 4X 12	1							
7	1	119620-21500	BOLT, FLYWHEEL	5							
8	1	119515-21580	FLYWHEEL ASSY	1							
10	2	124950-21600	GEAR, RING	1							
11	1	119717-21650	V-PULLEY	1							
12	1	119621-21681	BOLT, FLANGE 12X1.25	1							
13	1	119620-21941	WASHER	1							
14	1	119515-22080	PISTON ASSY	3							
16	2	119515-22500	RING SET, PISTON	3							
20	1	119515-22300	PIN, PISTON	3							
21	1	22252-000220	RING, 22	6							
22	1	119515-23000	ROD ASSY, CONNECTING	3							
25	2	119717-23200	BOLT, CONNECTING ROD	6							
26	2	119515-23601	BEARING, CRANK PIN	3							
28	1	119717-23910	BEARING, PISTON PIN	3							1
29	1	119515-23611	METAL ASSY, 0.25	3							2
31	1	119515-22900	PISTON ASSY, 0.25 OS	3							3
33	2	119515-22550	RING SET, 0.25 OS	3							3

Remarks

- (1)Spare parts.
- (2)Under-sized(U.S.=0.25)part.
- (3)Over-sized(O.S.=0.25)part.

Fig.9. LUB. OIL SYSTEM



(A)=3TNV70-KUSS
(B)=
(C)=

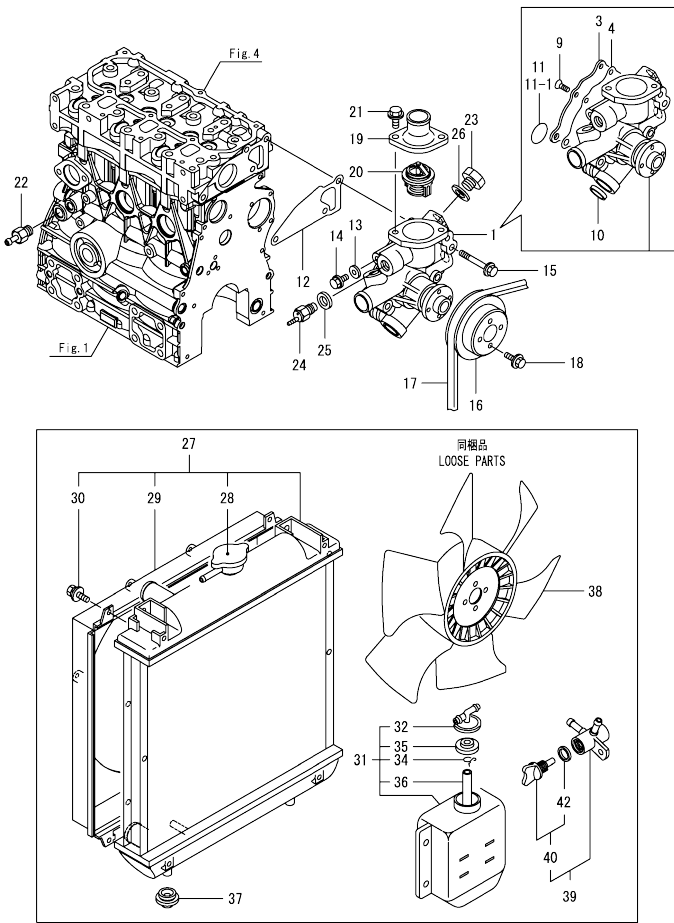
(D)=
(E)=
(F)=

No.	Lev.	Parts No.	Description	Q'ty						I	R
				(A)	(B)	(C)	(D)	(E)	(F)		
1	1	119546-34801	DIPSTICK, OIL	1							
2	1	121520-34810	GUIDE, DIPSTICK	1							
3	1	119717-35140	BOLT	1							
5	1	119717-32060	O-RING, P15.0	1							
6	1	119546-35080	PIPE ASSY, OIL INLET	1							
10	1	26106-060102	BOLT, M6X 10 PLATED	2							
11	1	114250-39450	SWITCH, 0.5KG	1							
12	1	119717-39210	PIPE, OIL	1							
13	1	129005-59830	BOLT ASSY, JOINT M8	2							
14	2	22190-080002	WASHER, SEAL 6	2							
15	2	23857-030000	BOLT, JOINT 3	2							
16	1	22190-080002	WASHER, SEAL 6	2							
17	1	119305-35151	FILTER ASSY, D68XL65	1							1

Remarks

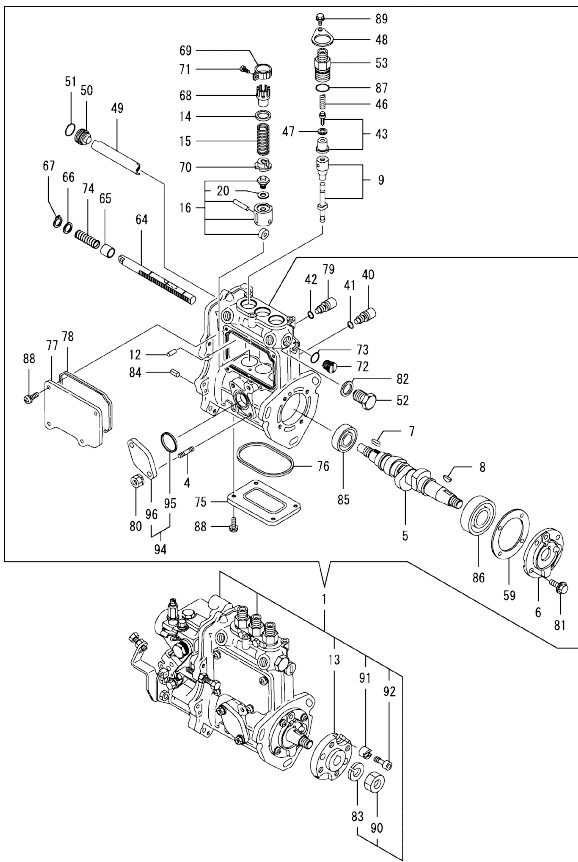
(1)Spare parts.

Fig.10. COOLING WATER SYSTEM



No.	Lev.	Parts No.	Description	Qty						I	R
				(A)	(B)	(C)	(D)	(E)	(F)		
1	1	119515-42001	PUMP ASSY, WATER	1							
1-1	1	119515-42002	PUMP ASSY, WATER	1							N
(A=E87521)											
3	2	119515-42041	COVER	1							
4	2	119717-42031	GASKET	1							
9	2	26577-060122	SCREW, M6X12	4							
10	2	27241-250000	PLUG, 25	1							
11	2	119717-42320	O-RING, P26	1							
11-1	2	119C10-42320	O-RING, 2028	1							S
(A=E87521)											
12	1	119515-42020	GASKET, WATER PUMP	1							
13	1	23414-080000	GASKET, 8X1.0	1							
14	1	26106-080122	BOLT, M8X 12 PLATED	1							
15	1	26106-080502	BOLT, M8X 50 PLATED	3							
16	1	119717-42350	V-PULLEY, D=100	1							
17	1	171001-42290	V-BELT, A35.5	1							
18	1	26106-060122	BOLT, M6X 12 PLATED	4							
19	1	129350-49530	COVER, THERMOSTAT	1							
20	1	119717-49800	THERMOSTAT, 71C	1							
21	1	26106-080202	BOLT, M8X 20 PLATED	2							
22	1	121550-49111	JOINT, PT1/4	1							
23	1	121450-42450	PLUG, M16	1							
24	1	121250-44901	SWITCH, THERMO 110	1							
25	1	124465-44950	GASKET, 16	1							
26	1	124465-44950	GASKET, 16	1							
27	1	119802-44520	RADIATOR ASSY	1							
28	2	129107-44590	CAP, RADIATOR	1							
29	2	119802-44600	SHROUD	1							
30	2	26014-060122	BOLT, M6X 12	4							
31	1	121468-44520	TANK ASSY, SUB	1							
32	2	121450-44531	CAP	1							
34	2	124450-44560	CLAMP, HOSE	1							
35	2	121470-44581	GASKET	1							
36	2	23065-070130	PIPE, 7X 130	1							
37	1	119255-44660	ABSORBER	2							
38	1	171340-44740	FAN, COOLING D335XNF	1							
39	1	129150-49100	COCK ASSY, 3-WAY	1							
40	2	129150-49080	COCK, DRAIN	1							
42	3	119629-49080	GASKET	1							

Fig.11. FUEL INJECTION PUMP

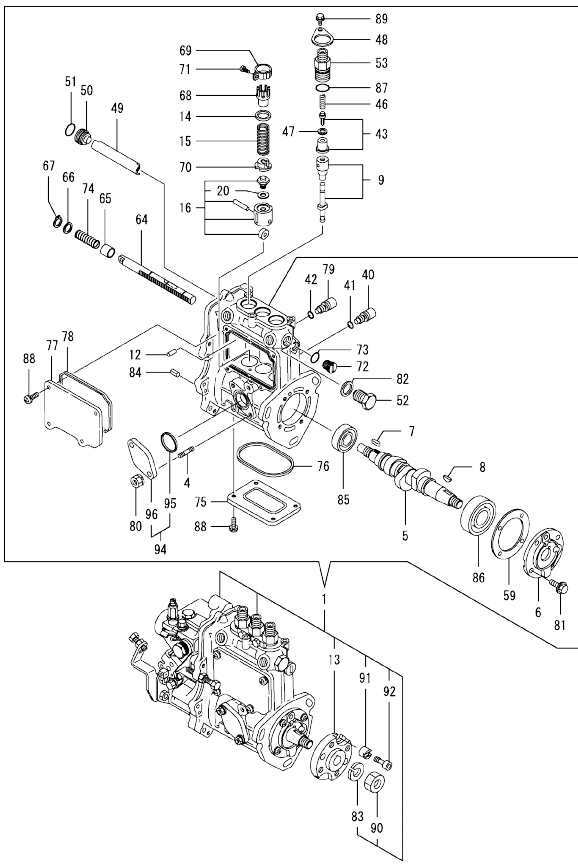


Remarks
 (1)Governor(Fig.12)is incorporated in
 this Fuel Injection Pump (Ref.1).

No.	Lev.	Parts No.	Description	Q'ty						I	R	
				(A)	(B)	(C)	(D)	(E)	(F)			
1	1	719527-51450	FIE ASSY,3TNV70-KUSS	1							1	
4	2	129155-51020	STUD	2								
5	2	119717-51030	CAMSHAFT	1								
6	2	119717-51060	SUPPORT, CAMSHAFT	1								
7	2	119717-51070	KEY	1								
8	2	122710-51090	KEY	1								
9	2	119515-51100	PLUNGER ASSY	3								
12	2	129155-51140	PIN	3								
13	2	119717-51150	FLANGE	1								
14	2	158600-51170	RETAINER, SPRING	3								
15	2	119717-51190	SPRING, PLUNGER	3								
16	2	119717-51200	TAPPET ASSY	3								
20	3	129155-51600	SHIM SET, ADJUSTING	3								
40	2	158600-51270	STOPPER, TAPPET	3								
41	2	129155-51280	O-RING, S6	3								
42	2	129155-51280	O-RING, S6	1								
43	2	119717-51300	VALVE ASSY, DELIVERY	3								
46	2	119717-51330	SPRING, DELIVERY	3								
47	2	124550-51350	GASKET, DELIVERY	3								
48	2	119125-51370	HOLDER	3								
49	2	129155-51400	DEFLECTOR	1								
50	2	158600-51410	PLUG, DEFLECTOR	1								
51	2	119717-51420	O-RING	1								
52	2	158600-51420	PLUG, DEFLECTOR	1								
53	2	158600-51442	VALVE ASSY, DELIVERY	3								
59	2	129155-51450	SHIM SET, ADJUSTING	1								
64	2	119717-51500	RACK, CONTROL	1								
65	2	129155-51521	BUSH, RACK	1								
66	2	129155-51530	SPACER	1								
67	2	129155-51540	CIRCLIP	1								
68	2	129155-51550	PINION, CONTROL	3								
69	2	129100-51560	PINION	3								
70	2	119717-51570	RETAINER, SPRING	3								
71	2	129100-51570	SCREW	3								
72	2	158600-51570	PLUG	1								
73	2	129155-51580	O-RING	1								
74	2	129155-51591	SPRING, RACK	1								
75	2	129155-51701	COVER	1								
76	2	119717-51711	GASKET	1								
77	2	119717-51750	COVER	1								
78	2	119717-51761	GASKET	1								
79	2	158600-51790	STOOPER, RACK	1								
80	2	119717-51860	NUT, M6	2								
81	2	119125-51900	BOLT	4								
82	2	22190-160002	WASHER, SEAL 16	1								
83	2	22217-120000	WASHER, SPRING 12	1								
84	2	22351-050010	PIN, SPRING 5.0X10	2								
85	2	24101-060034	BEARING, BALL 6003	1								
86	2	24101-063034	BEARING, BALL 6303	1								
87	2	24316-000150	O-RING, 4DP15.0	3								
88	2	26022-050122	SCREW, M5X12	8								

N:Old $\frac{100}{100}$ New, Q:Old $\frac{100}{100}$ New, R:Old $\frac{100}{100}$ New, S:Old $\frac{100}{100}$ New, W:Add, Z:Discontinued, F:Interchangeable by set, K:Q'ty Change
 ++ CONTINUE ++
 Copyright (C) YANMAR CO., LTD. All Rights Reserved.

Fig.11. FUEL INJECTION PUMP



(A)=3TNV70-KUSS
(B)=
(C)=

(D)=
(E)=
(F)=

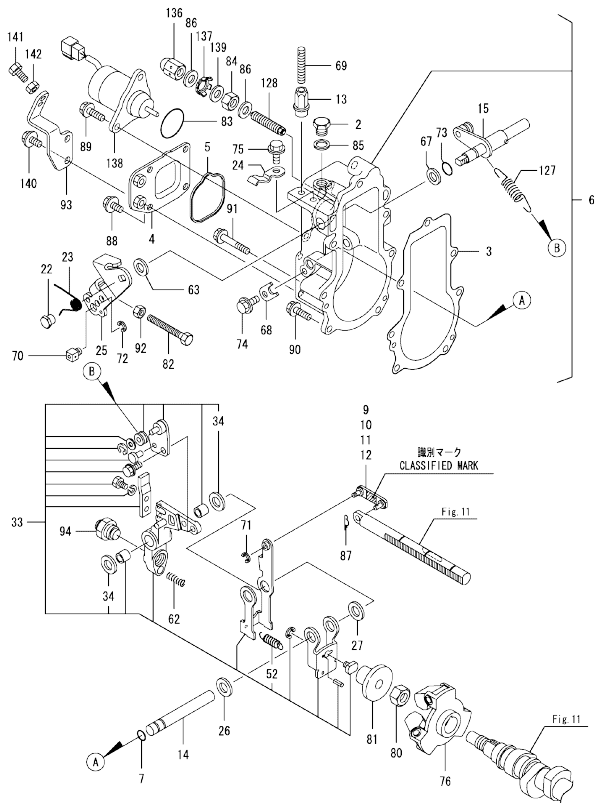
No.	Lev.	Parts No.	Description	Q'ty					
				(A)	(B)	(C)	(D)	(E)	(F)
89	2	26106-050102	BOLT, M5X 10 PLATED	3					
90	2	26716-120002	NUT, M12	1					
91	2	119717-51480	COLLAR	1					
92	2	119717-51490	BOLT	1					
94	2	129255-52000	COVER ASSY	1					
95	3	129155-52051	GASKET	1					
96	3	129100-52200	COVER	1					

Remarks
(1)Governor(Fig.12)is incorporated in this Fuel Injection Pump (Ref.1).

Fig.12. GOVERNOR

(A)=3TNV70-KUSS
(B)=
(C)=

(D)=
(E)=
(F)=



No.	Lev.	Parts No.	Description	(A)	(B)	(C)	(D)	(E)	(F)	Q'ty	I	R
2	2	119717-51930	PLUG							1		
3	2	119717-61050	GASKET							1		
4	2	119761-61060	COVER, GOVERNOR CASE							1		
5	2	119717-61070	GASKET							1		
6	2	119751-61100	CASE ASSY, GOVERNOR							1		
7	3	129155-51280	O-RING, S6							1		
9	3	119717-61120	LINK, MARK :3							1		1
10	3	119717-61130	LINK, MARK 98							1		1
11	3	119717-61140	LINK, MARK 88							1		1
12	3	119717-61150	LINK, MARK 03							1		1
13	3	129209-61370	NUT, M6							1		
14	3	129052-61390	SHAFT							1		
15	3	119717-61400	SHAFT ASSY							1		
22	3	129255-61410	NUT, LOCK							1		
23	3	119534-61420	SPRING							1		
24	3	119534-61430	RETAINER							1		
25	3	119515-61440	LEVER, CONTROL							1		
26	3	129156-61460	SHIM, T=0.6							1		
27	3	129155-61480	SPACER ASSY							1		
33	3	119761-61500	LEVER ASSY, GOVERNOR							1		
34	4	174307-51700	SHIM SET							2		
52	4	129486-61540	SPRING, SET							1		
62	3	129100-61650	SPRING, CONTROLLER							1		
63	3	158552-61700	SHIM SET							1		
67	3	158552-61710	SHIM, T=1.0							1		
68	3	119660-61901	RETAINER, SHAFT							1		
69	3	121575-66830	SCREW							1		
70	3	124756-67510	RETAINER							1		
71	3	22272-000030	RING, E- 3							1		
72	3	22272-000070	RING, E- 7							1		
73	3	24341-000070	O-RING, 1AS7.0							1		
74	3	26106-060102	BOLT, M6X 10 PLATED							1		
75	3	26106-060102	BOLT, M6X 10 PLATED							1		
76	2	119717-61201	WEIGHT ASSY,GOVERNOR							1		
80	2	129008-61301	NUT							1		
81	2	129155-61341	SLEEVE							1		
82	2	129155-61460	BOLT, IDLE							1		
83	2	158552-61900	O-RING							1		
84	2	129209-61920	NUT, ARB							1		
85	2	22190-100002	WASHER, SEAL 10							1		
86	2	22190-120002	WASHER, SEAL 12							2		
87	2	22372-040000	PIN, SNAP 4							1		
88	2	26106-060102	BOLT, M6X 10 PLATED							4		
89	2	26106-060142	BOLT, M6X 14 PLATED							2		
90	2	26106-060202	BOLT, M6X 20 PLATED							4		
91	2	26106-060452	BOLT, M6X 45 PLATED							3		
92	2	26756-060002	NUT, LOCK M6							1		
93	2	119761-61080	SUPPORT, WIRE							1		
94	2	119527-61560	ANGLEICH ASSY							1		
127	2	119717-61700	SPRING, GOVERNOR							1		
128	2	158601-61710	LIMITER ASSY, FUEL							1		

Remarks
*This figure(Governor)is incorporated in the Fuel Injection Pump (Fig.11).
(1)Selective parts; certain the classification mark, then place your order (ref. to illustration).

N:Old $\frac{100}{100}$ New, Q:Old $\frac{100}{100}$ New, R:Old $\frac{100}{100}$ New, S:Old $\frac{100}{100}$ New, W:Add, Z:Discontinued, F:Interchangeable by set, K:Q'ty Change
++ CONTINUE ++
Copyright (C) YANMAR CO., LTD. All Rights Reserved.

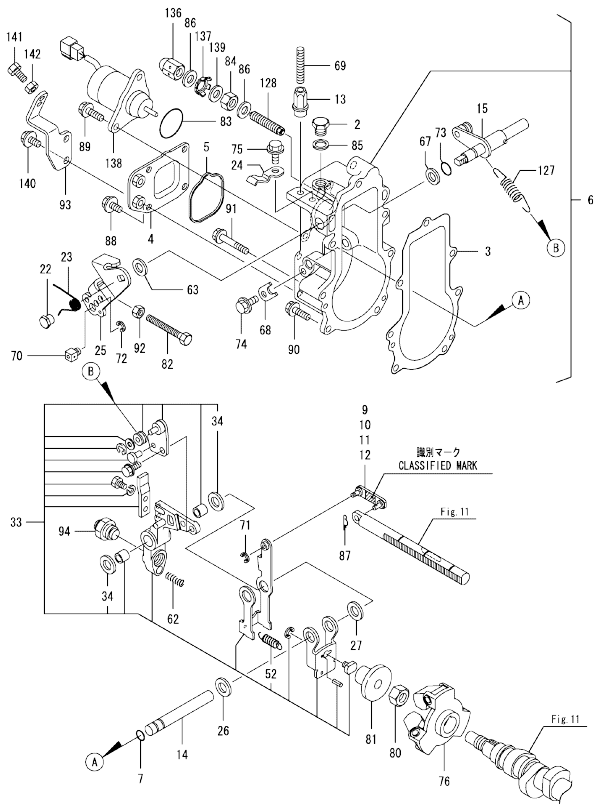
OCD11-M14500 3TNV70-KUSS
 Fig.12. GOVERNOR

OCD11-M14500 Fig.12

(A)=3TNV70-KUSS
 (B)=
 (C)=

(D)=
 (E)=
 (F)=

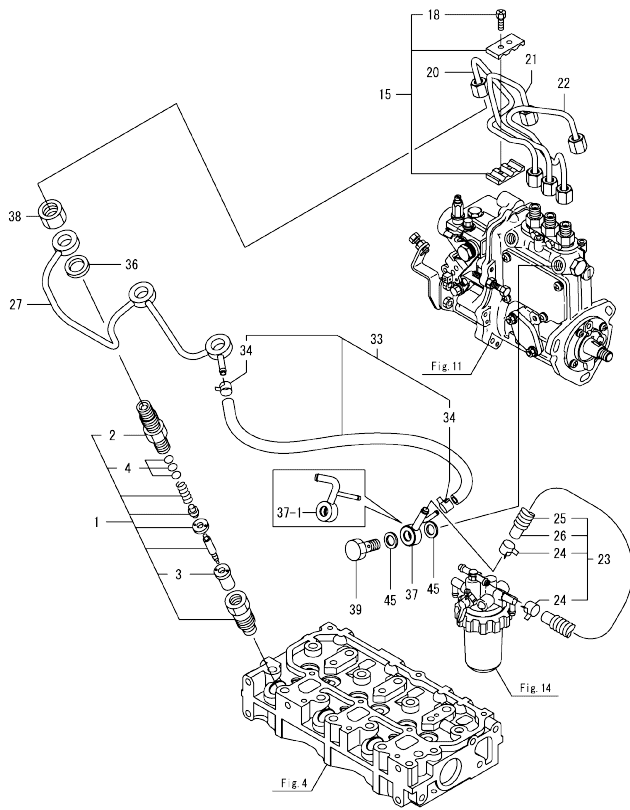
No.	Lev.	Parts No.	Description	Q'ty						I	R
				(A)	(B)	(C)	(D)	(E)	(F)		
136	2	129209-61930	NUT, CAP	1							
137	2	129209-61970	PLATE	1							
138	2	119653-77950	SOLENOID, STOP	1							
139	2	23414-120016	GASKET, 12X1.0	1							
140	2	26106-060102	BOLT, M6X 10 PLATED	2							
141	1	102100-67080	BOLT, ADJUSTING	1							
142	1	26756-060002	NUT, LOCK M6	1							



Remarks
 *This figure(Governor)is incorporated
 in the Fuel Injection Pump (Fig.11).
 (1)Selective parts; certain the
 classification mark, then place
 your order (ref. to illustration).

N:Old $\frac{100}{100}$ New, Q:Old $\frac{100}{100}$ New, R:Old $\frac{100}{100}$ New, S:Old $\frac{100}{100}$ New, W:Add, Z:Discontinued, F:Interchangeable by set, K:Q'ty Change
 Copyright (C) YANMAR CO., LTD. All Rights Reserved.

Fig.13. FUEL INJECTION VALVE



(A)=3TNV70-KUSS
(B)=
(C)=

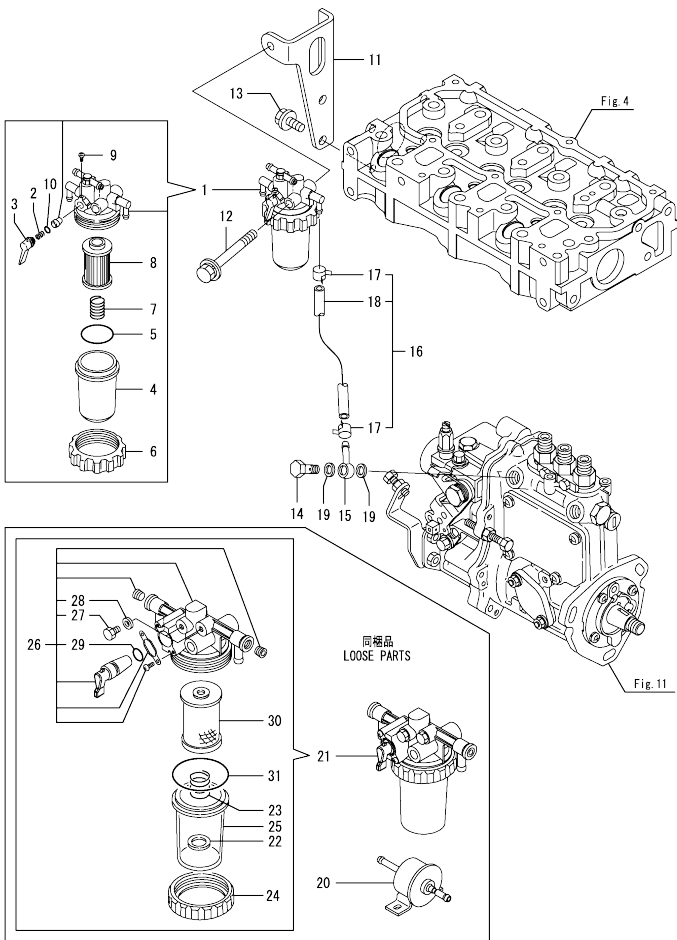
(D)=
(E)=
(F)=

No.	Lev.	Parts No.	Description	Q'ty						I	R
				(A)	(B)	(C)	(D)	(E)	(F)		
1	1	119515-53001	VALVE ASSY,INJECTION	3							
2	2	118200-53010	HOLDER, NOZZLE	3							
3	2	119515-53010	VALVE ASSY,INJECTION	3							
4	2	129901-53800	SHIM SET, ADJUSTING	3							1
15	1	129150-59120	RETAINER, PIPE	1							
18	2	129150-59131	BOLT, M4X14	2							
20	1	119546-59810	PIPE ASSY, INJECTION	1							
21	1	119546-59820	PIPE ASSY, INJECTION	1							
22	1	119546-59830	PIPE ASSY, INJECTION	1							
23	1	129950-59211	PIPE, FUEL	1							
24	2	124766-59050	CLIP, HOSE 12	2							
25	2	129950-59221	TUBE, CORRUGATED	1							
26	2	105025-59530	PIPE, FUEL D13X400	1							
27	1	119515-59540	PIPE ASSY, RETURN	1							
33	1	119744-59560	PIPE ASSY, RETURN	1							
34	2	124066-59100	CLIP, HOSE 8	2							
36	1	129901-59560	GASKET	3							
37	1	119840-59570	JOINT	1							
37-1	1	119515-59581	JOINT, OVER FLOW	1							N
(A=EZZZZZ)											
38	1	119620-59700	NUT, NOZZLE	3							
39	1	119813-59950	VALVE ASSY, CHECK	1							
45	1	22190-120002	WASHER, SEAL 12	2							

Remarks

(1)Spare parts.

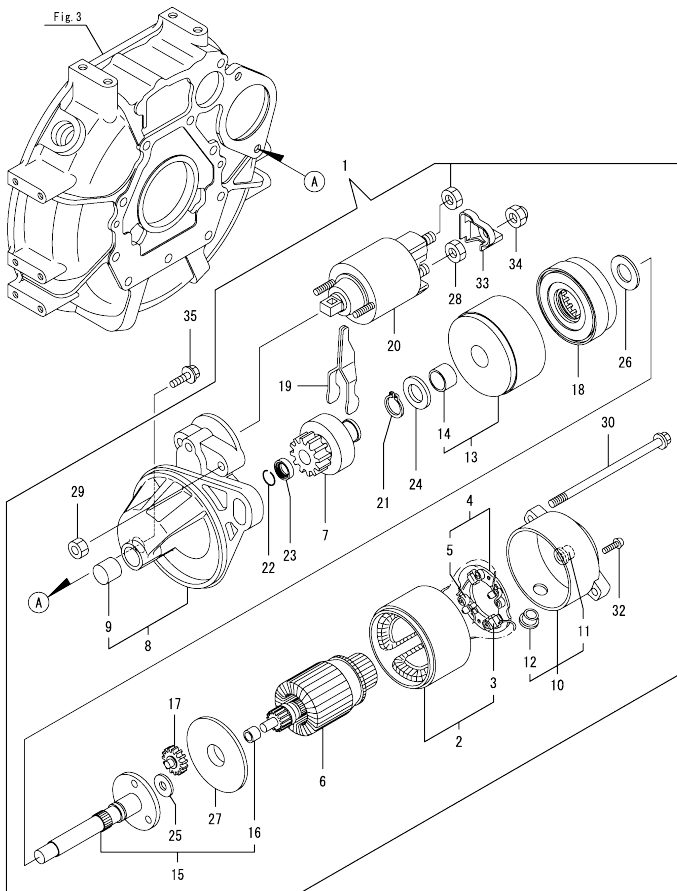
Fig.14. FUEL LINE



No.	Lev.	Parts No.	Description	Q'ty						I	R
				(A)	(B)	(C)	(D)	(E)	(F)		
1	1	119833-55620	FILTER ASSY, FUEL	1							
2	2	104200-55330	SPRING, VALVE	1							
3	2	119810-55340	LEVER	1							
4	2	121254-55510	COVER	1							
5	2	102103-55520	O-RING	1							
6	2	110250-55610	RING, RETAINING	1							
7	2	121250-55620	SPRING	1							
8	2	119810-55650	ELEMENT	1							
9	2	104200-55750	SCREW, M4	1							
10	2	24311-240100	O-RING, 1AP10A	1							
11	1	119717-55650	BRACKET, FILTER	1							
12	1	26014-080702	BOLT, M8X 70	1							
13	1	26106-080162	BOLT, M8X 16 PLATED	2							
14	1	103854-39140	BOLT, PIPE JOINT	1							
15	1	101304-59020	JOINT, PIPE 12	1							
16	1	129210-59080	PIPE ASSY, FUEL	1							
17	2	124766-59050	CLIP, HOSE 12	2							
18	2	129136-59110	PIPE, D13/7.5X270	1							
19	1	22190-120002	WASHER, SEAL 12	2							
20	1	119225-52102	PUMP ASSY, FUEL FEED	1							
21	1	129335-55750	SEPARATOR ASSY, WATER	1							
22	2	129053-55640	FLOAT	1							
23	2	129053-55650	SPRING, SCREEN	1							
24	2	119833-55660	RING, RETAINING	1							
25	2	129335-55740	CUP	1							
26	2	129335-55770	BODY ASSY	1							
27	3	129242-55750	VALVE, AIR VENT	2							
28	3	129242-55760	GASKET	2							
29	3	24311-000110	O-RING, 1AP11.0	1							
30	2	129335-55780	ELEMENT ASSY	1							
31	2	24311-000440	O-RING, 1AP44.0	1							

N:Old $\frac{New}{Old}$ New, Q:Old $\frac{New}{Old}$ New, R:Old $\frac{New}{Old}$ New, S:Old $\frac{New}{Old}$ New, W:Add, Z:Discontinued, F:Interchangeable by set, K:Qty Change
 Copyright (C) YANMAR CO., LTD. All Rights Reserved.

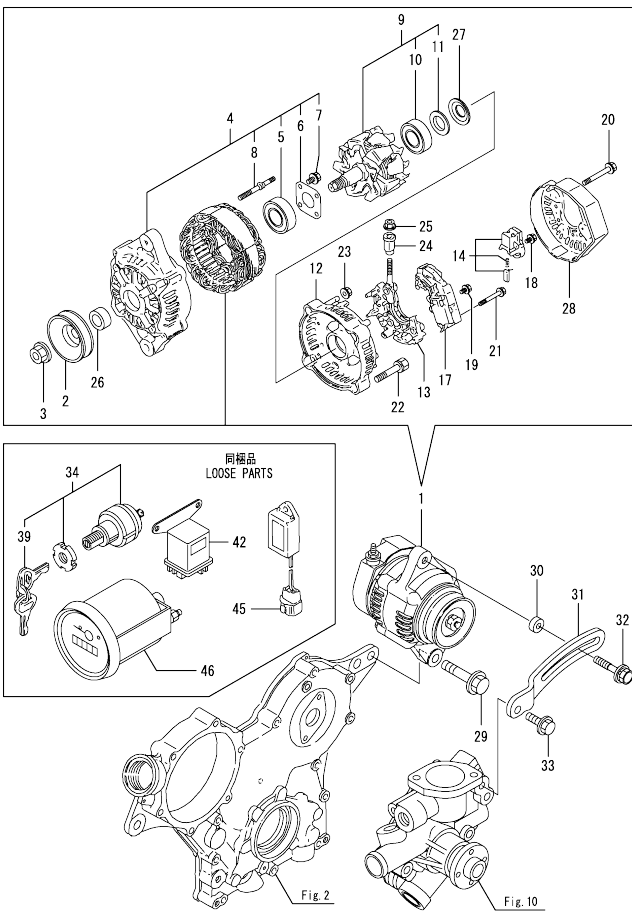
Fig.15. STARTING MOTOR



(A)=3TNV70-KUSS
(B)=
(C)=

(D)=
(E)=
(F)=

No.	Lev.	Parts No.	Description	Q'ty						I	R
				(A)	(B)	(C)	(D)	(E)	(F)		
1	1	119717-77010	STARTER, P1.1	1							
2	2	X0281007750	YOKE ASSY	1							
3	3	X0280996180	STARTER KIT	2							
4	2	X0285105190	HOLDER ASSY	1							
5	3	X0285205030	SPRING	4							
6	2	X0282005991	ARMATURE ASSY	1							
7	2	X0283006960	CLUTCH ASSY	1							
8	2	X4284001590	HOUSING ASSY	1							
9	3	X9491050100	BEARING, NEEDLE	1							
10	2	X0285007030	FRAME ASSY	1							
11	3	X9491040990	BEARING	1							
12	3	X0280626010	COVER	1							
13	2	X0284105040	BEARING ASSY	1							
14	3	X9491034330	BEARING	1							
15	2	X0286105010	SHAFT ASSY	1							
16	3	X9491034320	BEARING	1							
17	2	X0286305010	GEAR	3							
18	2	X0286355010	GEAR	1							
19	2	X0287405140	LEVER	1							
20	2	X0534007800	SWITCH ASSY	1							
21	2	X9055715000	RING	1							
22	2	X9490721360	RING	1							
23	2	X0280210331	NUT	1							
24	2	X9490138110	WASHER	1							
25	2	X9490138090	WASHER	1							
26	2	X9490138100	WASHER	1							
27	2	X0284525010	PLATE	1							
28	2	X9490562360	NUT	1							
29	2	X9490560750	NUT	2							
30	2	X9490423420	BOLT, THROUGH	2							
32	2	X9490065670	SCREW, M4X6	2							
33	2	X0280335350	COVER, TERMINAL	1							
34	2	X1289510130	NUT	1							
35	1	26106-100252	BOLT, M10X 25 PLATED	2							



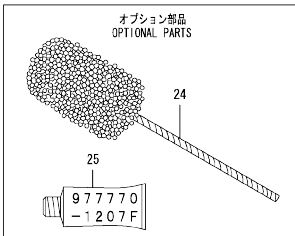
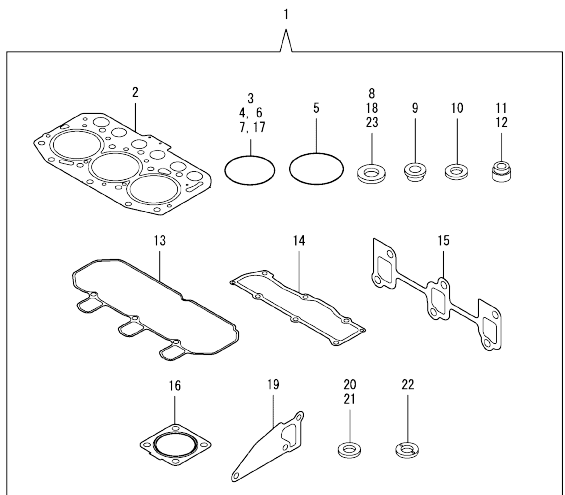
(A)=3TNV70-KUSS
 (B)=
 (C)=

(D)=
 (E)=
 (F)=

No.	Lev.	Parts No.	Description	Q'ty						I	R
				(A)	(B)	(C)	(D)	(E)	(F)		
1	1	129457-77200	GENERATOR (12V-40A)	1							
2	2	119620-77461	PULLEY	1							
3	2	119620-77471	NUT	1							
4	2	119620-77421	FRAME ASSY, DRIVE	1							
5	3	119620-79200	BEARING, BALL	1							
6	3	119620-79210	PLATE, RETAINER	1							
7	3	119620-79220	SCREW	4							
8	3	119620-79230	STUD	2							
9	2	119620-77380	ROTOR ASSY	1							
10	3	123501-79240	BEARING, BALL	1							
11	3	119620-79250	COVER	1							
12	2	119620-77440	FRAME ASSY	1							
13	2	119620-79260	HOLDER	1							
14	2	129052-79270	HOLDER, BRUSH	1							
17	2	129457-77710	REGULATOR ASSY	1							
18	2	119620-79290	SCREW	6							
19	2	119620-79300	SCREW	1							
20	2	119620-79310	BOLT	3							
21	2	119620-79320	SCREW	2							
22	2	119620-79330	BOLT	2							
23	2	119620-79350	NUT	2							
24	2	119620-79340	BUSH, INSULATION	1							
25	2	129240-79310	NUT	1							
26	2	119620-77490	COLLAR	1							
27	2	119620-79360	WASHER, THRUST	1							
28	2	129240-79300	COVER	1							
29	1	26106-100502	BOLT, M10X 50 PLATED	1							
30	1	119940-77270	SPACER, GENERATOR	1							
31	1	119717-77340	ADJUSTER	1							
32	1	129972-77341	BOLT, ADJUSTER L=50	1							
33	1	26106-080202	BOLT, M8X 20 PLATED	1							
34	1	194215-52110	SWITCH, STARTING	1							
39	2	194155-52160	KEY ASSY	1							
42	1	119650-77911	RELAY ASSY, GLOW	1							
45	1	129155-77925	TIMER	1							
46	1	171014-91102	TACHOMETER	1							

OCD11-M14500 3TNV70-KUSS
 Fig.17. GASKET SET

OCD11-M14500 Fig.17



(A)=3TNV70-KUSS
 (B)=
 (C)=

(D)=
 (E)=
 (F)=

No.	Lev.	Parts No.	Description	Q'ty						I	R
				(A)	(B)	(C)	(D)	(E)	(F)		
1	1	719515-92620	GASKET SET	1							1
2	2	119515-01330	GASKET, HEAD	1							
3	2	119624-32040	O-RING, P12.0	1							
4	2	119717-32050	O-RING, P17.0	3							
5	2	121850-51960	O-RING	1							
6	2	24311-000320	O-RING, 1AP32.0	2							
7	2	24341-000240	O-RING, 1AS24.0	1							
8	2	22190-160002	WASHER, SEAL 16	1							
9	2	129901-11450	PROTECTOR, NOZZLE	3							
10	2	119600-11460	GASKET, NOZZLE	6							
11	2	119717-11340	SEAL, VALVE STEM	3							
12	2	119717-11350	SEAL, VALVE STEM	3							
13	2	119515-11310	GASKET, BONNET	1							
14	2	119515-11330	GASKET	1							
15	2	119717-13110	GASKET	1							
16	2	119515-13200	GASKET, SILENCER	1							
17	2	119717-32060	O-RING, P15.0	1							
18	2	22190-080002	WASHER, SEAL 6	4							
19	2	119515-42020	GASKET, WATER PUMP	1							
20	2	23414-080000	GASKET, 8X1.0	1							
21	2	124465-44950	GASKET, 16	2							
22	2	129901-59560	GASKET	3							
23	2	22190-120002	WASHER, SEAL 12	4							
24	1	129400-92410	HONE	1							1
25	1	977770-1207F	GASKET,LIQUID	1							1

Remarks
 (1)Optional parts.

N:Old $\frac{New}{Old}$ New, Q:Old $\frac{New}{Old}$ New, R:Old $\frac{New}{Old}$ New, S:Old $\frac{New}{Old}$ New, W:Add, Z:Discontinued, F:Interchangeable by set, K:Q'ty Change
 Copyright (C) YANMAR CO., LTD. All Rights Reserved.

Parts No. Index

Parts No.	Fig. No.	Ref. No.
101304-59020	14	15
102100-67080	12	141
102103-55520	14	5
103854-39140	14	14
104200-55330	14	2
104200-55750	14	9
105010-11490	4	3
105025-59530	13	26
105027-12580	5	6
105311-01090	1	4
105425-01690	3	9
110250-55610	14	6
114250-39450	9	11
118200-53010	13	2
119125-51370	11	48
119125-51900	11	81
119131-18320	6	6
119225-52102	14	20
119255-44660	10	37
119285-01990	1	6
119285-11990	4	9
119305-35151	9	17
119336-12570	5	5
119515-01200	1	26
119515-01330	1	27
	17	2
119515-01601	3	2
119515-01720	3	7
119515-11101	4	11
119515-11110	4	12
119515-11200	4	19
119515-11240	4	20
119515-11280	4	24
119515-11310	4	43
	17	13
119515-11320	4	44
119515-11330	4	45
	17	14
119515-11380	4	33
119515-11740	4	4
119515-11800	4	56
119515-12501	5	2
119515-12600	5	7
119515-13200	6	8
	17	16
119515-14400	7	2
119515-14581	7	3
119515-21580	8	8
119515-21700	8	1
119515-22080	8	14

Parts No.	Fig. No.	Ref. No.
119515-22300	8	20
119515-22500	8	16
119515-22550	8	33
119515-22900	8	31
119515-23000	8	22
119515-23601	8	26
119515-23611	8	29
119515-42001	10	1
119515-42002	10	1 -1
	10	12
	17	19
119515-42041	10	3
119515-51100	11	9
119515-53001	13	1
119515-53010	13	3
119515-59540	13	27
119515-59581	13	37 -1
119515-61440	12	25
119527-61560	12	94
119534-61420	12	23
119534-61430	12	24
119546-01770	3	8
119546-34801	9	1
119546-35080	9	6
119546-59810	13	20
119546-59820	13	21
119546-59830	13	22
119600-11460	4	2
	17	10
119620-01750	3	3
119620-02020	1	7
119620-14200	7	1
119620-21500	8	7
119620-21941	8	13
119620-59700	13	38
119620-77380	16	9
119620-77421	16	4
119620-77440	16	12
119620-77461	16	2
119620-77471	16	3
119620-77490	16	26
119620-79200	16	5
119620-79210	16	6
119620-79220	16	7
119620-79230	16	8
119620-79250	16	11
119620-79260	16	13
119620-79290	16	18
119620-79300	16	19
119620-79310	16	20

Parts No.	Fig. No.	Ref. No.
119620-79320	16	21
119620-79330	16	22
119620-79340	16	24
119620-79350	16	23
119620-79360	16	27
119621-21681	8	12
119623-01250	1	5
119624-32040	2	18
	17	3
119629-49080	10	42
119650-77911	16	42
119653-77950	12	138
119655-12560	5	4
119660-01911	2	17
119660-61901	12	68
119717-01501	2	1
119717-01570	2	2
119717-01750	2	16
119717-01800	2	6
119717-02411	1	10
119717-02930	1	23
119717-03031	4	34
119717-03070	4	35
		36
119717-11131	4	13
119717-11190	4	15
119717-11260	4	23
119717-11340	4	16
	17	11
119717-11350	4	17
	17	12
119717-11650	4	25
119717-13110	6	2
	17	15
119717-13500	6	9
119717-13600	6	3
119717-21200	8	4
119717-21650	8	11
119717-23200	8	25
119717-23910	8	28
119717-25050	7	9
119717-25101	7	10
119717-25911	7	16
119717-25930	7	15
119717-32050	2	19
	17	4
	9	5
119717-32060	17	17
	2	9
119717-32080	2	9
119717-32100	2	8

Parts No.	Fig. No.	Ref. No.
119717-32110	2	13
119717-32120	2	14
119717-35140	9	3
119717-39210	9	12
119717-42031	10	4
119717-42320	10	11
119717-42350	10	16
119717-49800	10	20
119717-51030	11	5
119717-51060	11	6
119717-51070	11	7
119717-51150	11	13
119717-51190	11	15
119717-51200	11	16
119717-51300	11	43
119717-51330	11	46
119717-51420	11	51
119717-51480	11	91
119717-51490	11	92
119717-51500	11	64
119717-51570	11	70
119717-51711	11	76
119717-51750	11	77
119717-51761	11	78
119717-51860	11	80
119717-51930	12	2
119717-55650	14	11
119717-61050	12	3
119717-61070	12	5
119717-61120	12	9
119717-61130	12	10
119717-61140	12	11
119717-61150	12	12
119717-61201	12	76
119717-61400	12	15
119717-61700	12	127
119717-77010	15	1
119717-77340	16	31
119717-77800	4	52
119717-77820	4	53
119734-01580	2	3
119740-13100	6	1
119744-01521	2	5
119744-59560	13	33
119751-61100	12	6
119761-12020	5	1
119761-61060	12	4
119761-61080	12	93
119761-61500	12	33
119802-03100	4	37

Parts No. Index

Parts No.	Fig. No.	Ref. No.	Parts No.	Fig. No.	Ref. No.	Parts No.	Fig. No.	Ref. No.	Parts No.	Fig. No.	Ref. No.
119802-03110	4	38	129005-59830	9	13	129242-55750	14	27	22190-160002	11	82
119802-03121	4	39	129008-61301	12	80	129242-55760	14	28		17	8
119802-03131	4	40	129052-61390	12	14	129255-52000	11	94	22217-120000	11	83
119802-03141	4	41	129052-79270	16	14	129255-61410	12	22	22242-000120	4	29
119802-13620	6	4	129053-55640	14	22	129335-55740	14	25	22252-000220	8	21
119802-32130	2	15	129053-55650	14	23	129335-55750	14	21	22272-000030	12	71
119802-44520	10	27	129100-01580	3	1	129335-55770	14	26	22272-000070	12	72
119802-44600	10	29		8	2	129335-55780	14	30	22351-050010	11	84
119808-12540	5	3	129100-51560	11	69	129350-49530	10	19	22351-060012	4	18
119810-02941	1	34	129100-51570	11	71	129400-92410	17	24	22372-040000	12	87
119810-55340	14	3	129100-52200	11	96	129457-77200	16	1	22512-040120	8	5
119810-55650	14	8	129100-61650	12	62	129457-77710	16	17	22857-500100	4	46
119813-59950	13	39	129107-44590	10	28	129486-61540	12	52			47
119833-55620	14	1	129136-59110	14	18	129508-11180	4	14	22857-500160	4	48
119833-55660	14	24	129150-11230	4	26	129900-07900	4	54	23000-054000	5	8
119840-59570	13	37	129150-11750	4	28	129900-32130	2	10	23065-070130	10	36
119940-77270	16	30	129150-25301	7	14	129901-11450	4	1	23414-080000	10	13
119C10-42320	10	11	129150-49080	10	40		17	9		17	20
121250-44901	10	24	129150-49100	10	39	129901-53800	13	4	23414-120016	12	139
121250-55620	14	7	129150-59120	13	15	129901-59560	13	36	23857-030000	9	15
121254-55510	14	4	129150-59131	13	18		17	22	23876-005000	4	10
121450-42450	10	23	129150-91400	2	30	129950-59211	13	23	23876-030000	2	7
121450-44531	10	32	129155-51020	11	4	129950-59221	13	25	24101-060034	11	85
121468-44520	10	31	129155-51140	11	12	129972-77341	16	32	24101-063034	11	86
121470-44581	10	35	129155-51280	11	41	158552-61700	12	63	24311-000110	14	29
121520-34810	9	2		12	42	158552-61710	12	67	24311-000320	2	29
121550-49111	10	22		11	49	158552-61900	12	83		4	49
121575-66830	12	69	129155-51400	11	49	158600-51170	11	14		17	6
121850-51960	2	20	129155-51450	11	59	158600-51270	11	40	24311-000440	14	31
	17	5	129155-51521	11	65	158600-51410	11	50	24311-240100	14	10
122710-51090	11	8	129155-51530	11	66	158600-51420	11	52	24316-000150	11	87
123501-79240	16	10	129155-51540	11	67	158600-51442	11	53	24341-000070	12	73
123900-13620	6	5	129155-51550	11	68	158600-51570	11	72	24341-000240	2	32
124060-01050	1	11	129155-51580	11	73	158600-51790	11	79		17	7
124066-59100	13	34	129155-51591	11	74	158601-61710	12	128	26013-080222	5	9
124085-02220	3	4	129155-51600	11	20	171001-42290	10	17	26014-060122	10	30
124160-01751	2	28	129155-51701	11	75	171014-91102	16	46	26014-080702	14	12
	4	32	129155-52051	11	95	171340-44740	10	38	26022-050122	11	88
124160-01910	1	12	129155-61341	12	81	174307-51700	12	34	26106-050102	11	89
124450-44560	10	34	129155-61460	12	82	194155-52160	16	39	26106-060102	9	10
124465-44950	10	25	129155-61480	12	27	194215-52110	16	34		12	74
		26	129155-77925	16	45	22190-080002	9	14			75
		17	129156-61460	12	26			16			88
124550-51350	11	47	129209-61370	12	13			17			140
124756-67510	12	70	129209-61920	12	84	22190-100002	12	85	26106-060122	2	21
124766-59050	13	24	129209-61930	12	136	22190-120002	12	86		3	12
		14	129209-61970	12	137			13			7
124950-21600	8	10	129210-59080	14	16			14			8
129001-32320	2	11	129240-79300	16	28			17	26106-060142	5	10
129001-32330	2	12	129240-79310	16	25	22190-160002	3	11		12	89

Parts No. Index

Parts No.	Fig. No.	Ref. No.
26106-060162	2	22
		33
26106-060202	4	50
	12	90
26106-060252	3	13
26106-060352	7	13
26106-060402	2	23
		24
26106-060452	3	14
	12	91
26106-060602	2	25
26106-060652	2	26
26106-060752	4	51
26106-080122	10	14
26106-080162	4	55
	5	11
	14	13
26106-080202	10	21
	16	33
26106-080402	4	31
26106-080502	10	15
26106-100252	15	35
26106-100502	16	29
26206-100252	3	5
26206-100302	3	6
26306-080002	2	27
	6	7
26577-060122	10	9
26716-120002	11	90
26756-060002	12	92
		142
26979-050162	4	30
27241-120000	1	13
27241-250000	10	10
719515-01560	1	1
719515-92620	17	1
719527-51450	11	1
719717-02901	1	28
719717-02911	1	31
719734-01510	2	4
977770-1207F	17	25
X0280210331	15	23
X0280335350	15	33
X0280626010	15	12
X0280996180	15	3
X0281007750	15	2
X0282005991	15	6
X0283006960	15	7
X0284105040	15	13
X0284525010	15	27

Parts No.	Fig. No.	Ref. No.
X0285007030	15	10
X0285105190	15	4
X0285205030	15	5
X0286105010	15	15
X0286305010	15	17
X0286355010	15	18
X0287405140	15	19
X0534007800	15	20
X1289510130	15	34
X4284001590	15	8
X9055715000	15	21
X9490065670	15	32
X9490138090	15	25
X9490138100	15	26
X9490138110	15	24
X9490423420	15	30
X9490560750	15	29
X9490562360	15	28
X9490721360	15	22
X9491034320	15	16
X9491034330	15	14
X9491040990	15	11
X9491050100	15	9

Parts No.	Fig. No.	Ref. No.
-----------	----------	----------

Parts No.	Fig. No.	Ref. No.
-----------	----------	----------