

0CD10-M86300EN

記載対象機種

The following models are described in the parts catalog.

機種名 Model	作業機メーカー Manufacturer's name	搭載商品名 Product equipped with the Model	備考 Note
3TNV70-PSJ	株)酒井重工業	TW200 TW230 TW250 SW200 SW230 SW250	振動ローラ

Directions for the Parts Catalog.

1. This Parts Catalog shows both standard and optional parts.
2. Parts may change without prior notice.
3. The following is an example of the Parts Catalog format.

REF.	LEV.	PARTS NO.	DESCRIPTION	Q'TY						I	R
				(A)	(B)	(C)	(D)	(E)	(F)		
1	1	729595-51390	FUEL INJECTION PUMP	1	1	1	1	1			1
1-1	1	729595-51391	FUEL INJECTION PUMP	1	1	1	1	1		N	1
		(A=E00185) (B=E00200)									
3	2	26022-060162	SCREW M 6X 16	9	9	9	9	9			
3-1	2	26022-060162	SCREW M 6X 16	4	4	4	4	4		K	
		(A=E00156) (B=E00156) (C=E00156) (D=E00156) (E=E00156)									
4	2	129470-51040	CAMSHAFT	1	1	1	1	1			
5	2	122710-51050	BEARING, ROLLER	2	2	2	2	2			
6	2	129470-51060	RETAINER	1	1	1	1	1			

Remarks
(1) BOOST COMPEMSATOR TYPE. OPTIONAL PART, TO E00155,(4JH-DT, 4JH-DTZ

① Ref. No.

The Ref. No. listed may not be in accordance with the illustration Ref. No.

(Ex.) Illustration No. List Ref No.

1 1 (Before change) → 1-1 (After change)

For interchangeable symbols N, R and K, illustrations for new parts may be abbreviated.

② Lev. (Level)

Level indication

The numbers below indicate the level of relativity towards the main part.

1 ---- Main parts (Assembly parts)

2 ---- Sub component included in " 1 ".

3 ---- Sub component included in " 2 ".

Note) Parts that are not for sale are partially illustrated but not listed.

③ Interchangeability Symbol

When a part change takes place, one of the following interchangeability symbols is indicated beside the part.

Symbol	Interchangeability	Contents note
N	Old $\begin{matrix} \leftarrow \text{Yes} \\ \text{No} \rightarrow \end{matrix}$ New	New Part is interchangeable for Old Part but Old Part is not interchangeable for New Part.
Q	Old $\begin{matrix} \leftarrow \text{No} \\ \text{Yes} \rightarrow \end{matrix}$ New	New Part is not interchangeable for Old Part but Old Part is interchangeable for New Part.
R	Old $\begin{matrix} \leftarrow \text{Yes} \\ \text{Yes} \rightarrow \end{matrix}$ New	New/ Old Parts are both interchangeable.
S	Old $\begin{matrix} \leftarrow \text{No} \\ \text{No} \rightarrow \end{matrix}$ New	New/ Old Parts are both not interchangeable.
W		Part newly added.
Z		Part discontinued.
F		Not interchangeable by a single part but interchangeable together with related parts.
K		Changes only for used parts quantities.

④ Effective Machine No.

When a part changes, the effective Machine No. will be indicated in the (A)-(F) column.

Product Symbol	Product No.	Product Symbol	Product No.
C	Clutch No. Compressor No.	F	Machine No. (Agricultural Equip.)
D	Drive No.	M	Machine No.
E	Engine No.		

Note 1) A date may follow the symbol. (Ex.) 1996.01

Note 2) "XXXXX" and "ZZZZZ" are for parts that could not be predicted or for engine models that could not be identified.

Note 3) (A=E00185) is the E (Engine Serial Number) for the column (A) model (in this case 4JH-DT) after the parts design change.

⑤ Remarks

Figures or alphabets (symbols) are entered in the remarks column.

The comments (remarks) on parts that are indicated at the bottom of the illustration are the same symbols as those stated above.

Contents

OCD10-M86300

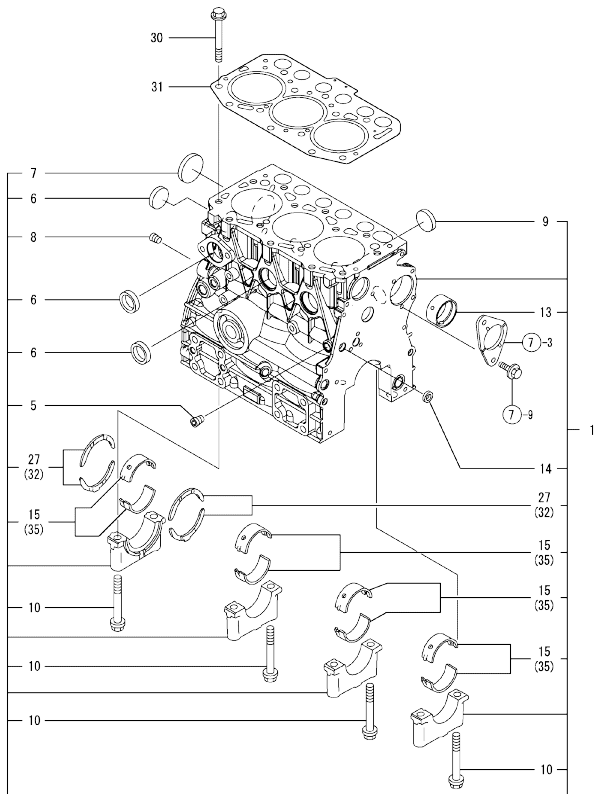
Fig. No.	Fig. Name	Fig. No.	Fig. Name
ENGINE (3TNV70-PSJ)			
1.	CYLINDER BLOCK		
2.	GEAR HOUSING		
3.	MOUNTING FLANGE & OIL SUMP		
4.	CYLINDER HEAD & BONNET		
5.	AIR CLEANER		
6.	EXHAUST MANIFOLD & SILENCER		
7.	CAMSHAFT & DRIVING GEAR		
8.	CRANKSHAFT & PISTON		
9.	LUB.OIL SYSTEM		
10.	COOLING WATER SYSTEM		
11.	FUEL INJECTION PUMP		
12.	GOVERNOR		
13.	FUEL INJECTION VALVE		
14.	FUEL LINE		
15.	STARTING MOTOR		
16.	GENERATOR		
17.	GASKET SET		

OCD10-M86300 ENGINE (3TNV70-PSJ)
 Fig.1. CYLINDER BLOCK

OCD10-M86300 Fig.1

(A)=3TNV70-PSJ
 (B)=
 (C)=

(D)=
 (E)=
 (F)=

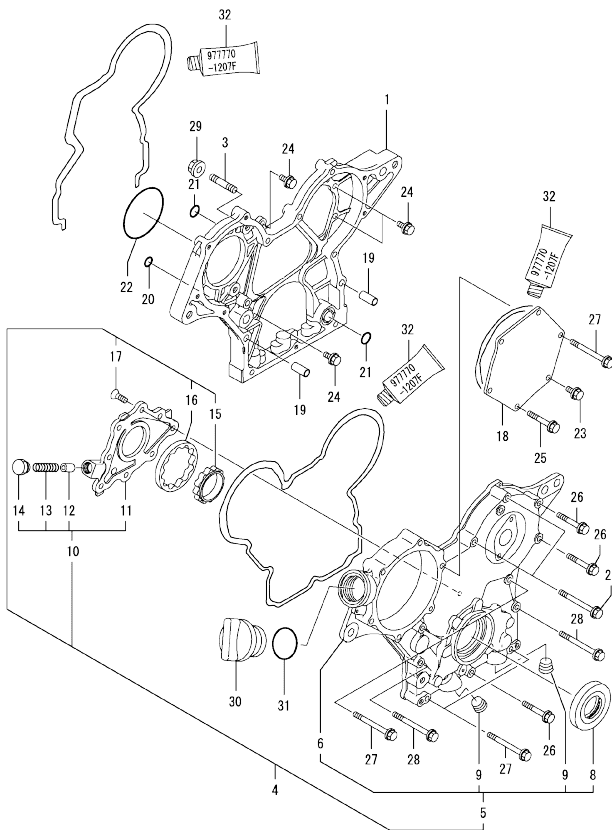


No.	Lev.	Parts No.	Description	Q'ty						I	R
				(A)	(B)	(C)	(D)	(E)	(F)		
1	1	719515-01560	BLOCK ASSY, CYLINDER	1							
5	2	124060-01050	PLUG, PT1/8	1							
6	2	105311-01090	PLUG, 3/8	4							
7	2	119623-01250	PLUG, 45	1							
8	2	124160-01910	PLUG, PT1/4	1							
9	2	119285-01990	PLUG, 25	3							
10	2	119620-02020	BOLT, METAL CAP	8							
13	2	119717-02410	BUSH, CAMSHAFT	1							
14	2	27241-120000	PLUG, 12	1							
15	2	719717-02900	BEARING, MAIN	4							2
27	2	119717-02930	BEARING, THRUST	2							
30	1	119515-01200	BOLT, HEAD	14							
31	1	119515-01330	GASKET, HEAD	1							
32	1	119810-02940	BEARING, THRUST 0.25	2							1
35	1	719717-02910	BEARING, 0.25 US	4							3

- Remarks
 (1) OVER-SIZE(O.S=0.25)PART.
 (2) REPAIR PART.
 (3) UNDER-SIZE(U.S=0.25)PART.

N:Old $\frac{100}{100}$ New, Q:Old $\frac{100}{100}$ New, R:Old $\frac{100}{100}$ New, S:Old $\frac{100}{100}$ New, W:Add, Z:Discontinued, F:Interchangeable by set, K:Q'ty Change
 Copyright (C) YANMAR CO., LTD. All Rights Reserved.

Fig.2. GEAR HOUSING



(A)=3TNV70-PSJ
(B)=
(C)=

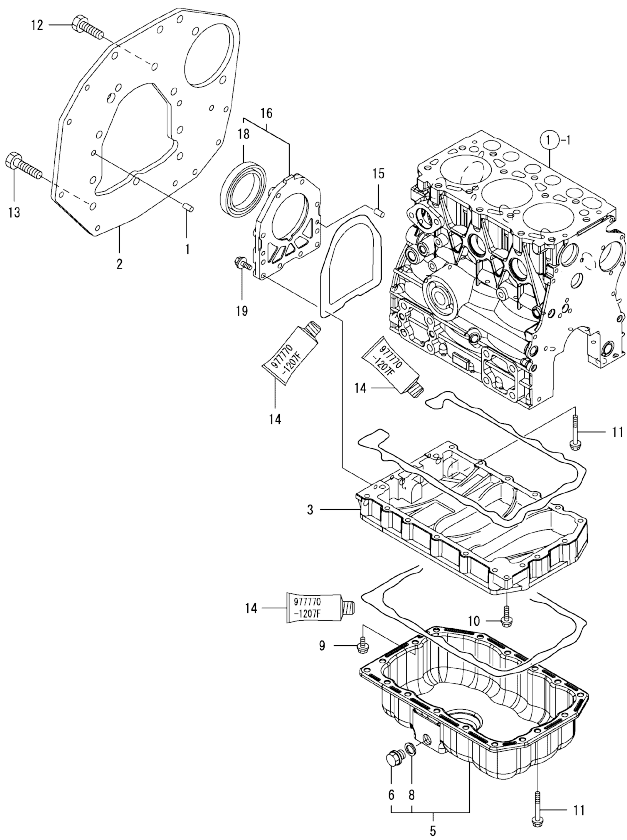
(D)=
(E)=
(F)=

No.	Lev.	Parts No.	Description	Q'ty						I	R
				(A)	(B)	(C)	(D)	(E)	(F)		
1	1	119717-01501	CASE, GEAR	1							
3	1	119717-01570	STUD	3							
4	1	119717-01590	COVER ASSY,GEAR CASE	1							
5	2	719717-01500	COVER ASSY,GEAR CASE	1							
6	3	119717-01521	COVER, GEAR CASE	1							
8	3	119620-01800	SEAL, OIL	1							
9	3	23876-030000	PLUG, R03	2							
10	2	119717-32100	COVER ASSY	1							
11	3	119717-32080	COVER	1							
12	3	129900-32130	VALVE, RELIEF	1							
13	3	129001-32320	SPRING	1							
14	3	129001-32330	PLUG	1							
15	2	119717-32110	ROTOR, INNER	1							
16	2	119717-32120	ROTOR, OUTER	1							
17	2	119802-32130	SCREW, M6X16	8							
18	1	119717-01750	COVER	1							
19	1	119660-01911	PIPE, KNOCK	4							
20	1	119624-32040	O-RING, P12.0	1							
21	1	119717-32050	O-RING, P17.0	3							
22	1	121850-51960	O-RING	1							
23	1	26106-060122	BOLT, M6X 12 PLATED	1							
24	1	26106-060162	BOLT, M6X 16 PLATED	4							
25	1	26106-060402	BOLT, M6X 40 PLATED	4							
26	1	26106-060402	BOLT, M6X 40 PLATED	3							
27	1	26106-060602	BOLT, M6X 60 PLATED	7							
28	1	26106-060652	BOLT, M6X 65 PLATED	2							
29	1	26306-080002	NUT, M8	3							
30	1	124160-01751	COVER, FILLER	1							
31	1	24311-000320	O-RING, 1AP32.0	1							
32	1	977770-1207F	GASKET,LIQUID	1							1

Remarks
(1) OPTIONAL PART.

N:Old $\frac{New}{Old}$ New, Q:Old $\frac{New}{Old}$ New, R:Old $\frac{New}{Old}$ New, S:Old $\frac{New}{Old}$ New, W:Add, Z:Discontinued, F:Interchangeable by set, K:Q'ty Change
Copyright (C) YANMAR CO., LTD. All Rights Reserved.

Fig.3. MOUNTING FLANGE & OIL SUMP



(A)=3TNV70-PSJ
(B)=
(C)=

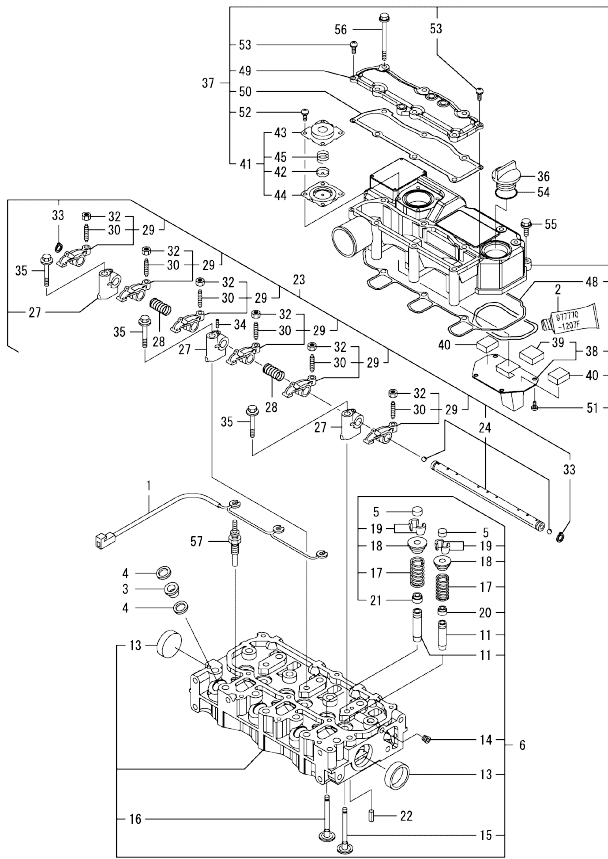
(D)=
(E)=
(F)=

No.	Lev.	Parts No.	Description	Q'ty						I	R
				(A)	(B)	(C)	(D)	(E)	(F)		
1	1	129100-01580	PIN, M8X16	2							
2	1	119527-01600	FLANGE, MOUNTING	1							
3	1	119515-01720	SPACER, OIL SUMP	1							
5	1	119515-01770	SUMP ASSY, OIL	1							
6	2	105425-01690	PLUG, 16	1							
8	2	22190-160002	WASHER, SEAL 16	1							
9	1	26106-060122	BOLT, M6X 12 PLATED	1							
10	1	26106-060252	BOLT, M6X 25 PLATED	1							
11	1	26106-060452	BOLT, M6X 45 PLATED	17							
12	1	26206-100202	BOLT, M10X 20 PLATED	7							
13	1	26206-100252	BOLT, M10X 25 PLATED	3							
14	1	977770-1207F	GASKET, LIQUID	1							1
15	1	119620-01620	PIN, M6X10	2							
16	1	119527-01640	CASE ASSY, OIL SEAL	1							
18	2	124085-02220	SEAL, OIL	1							
19	1	26106-060222	BOLT, M6X 22 PLATED	10							

Remarks
(1) OPTIONAL PART.

N:Old $\frac{100}{100}$ New, Q:Old $\frac{100}{100}$ New, R:Old $\frac{100}{100}$ New, S:Old $\frac{100}{100}$ New, W:Add, Z:Discontinued, F:Interchangeable by set, K:Q'ty Change
Copyright (C) YANMAR CO., LTD. All Rights Reserved.

Fig.4. CYLINDER HEAD & BONNET



(A)=3TNV70-PSJ
(B)=
(C)=

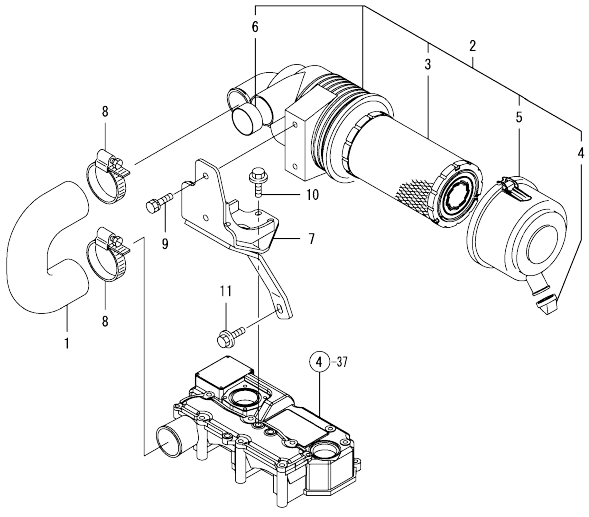
(D)=
(E)=
(F)=

No.	Lev.	Parts No.	Description	(A)	(B)	(C)	(D)	(E)	(F)	I	R
1	1	119717-77820	CONNECTOR, GLOW PLUG	1							
2	1	977770-1207F	GASKET, LIQUID	1							2
3	1	129901-11450	PROTECTOR, NOZZLE	3							
4	1	119600-11460	GASKET, NOZZLE	6							
5	1	105010-11490	CAP, VALVE	6							
6	1	119515-11740	HEAD ASSY, CYLINDER	1							
11	2	119515-11800	GUIDE, VALVE	6							1
13	2	119285-11990	PLUG, 35	2							
14	2	23876-005000	PLUG, R005	1							
15	2	119515-11100	VALVE, INTAKE	3							
16	2	119515-11110	VALVE, EXHAUST	3							
17	2	119717-11131	SPRING, VALVE	6							
18	2	129508-11180	RETAINER, SPRING	6							
19	2	119717-11190	COTTER	12							
20	2	119717-11340	SEAL, VALVE STEM	3							
21	2	119717-11350	SEAL, VALVE STEM	3							
22	1	22351-060012	PIN, SPRING 6.0X12	2							
23	1	119515-11200	SUPPORT ASSY, ARM	1							
24	2	119515-11240	SHAFT ASSY, ROCKER	1							
27	2	119717-11260	SUPPORT, ROCKER ARM	3							
28	2	119515-11280	SPRING	2							
29	2	119717-11650	ARM, ROCKER	6							
30	3	129150-11230	SCREW, VALVE ADJUST	6							
32	3	129150-11750	NUT, M8	6							
33	2	22242-000120	RING, 12	2							
34	2	26979-050162	SCREW, M5X16	1							
35	1	26106-080402	BOLT, M8X 40 PLATED	3							
36	1	124160-01751	COVER, FILLER	1							
37	1	119515-11380	BONNET ASSY, HEAD	1							
38	2	119717-03031	PLATE	1							
39	3	119717-03070	BAFFLE, BREATHER	1							
40	2	119717-03070	BAFFLE, BREATHER	2							
41	2	119802-03100	DIAPHRAGM ASSY	1							
42	3	119802-03110	PLATE	1							
43	3	119802-03121	COVER, DIAPHRAGM	1							
44	3	119802-03131	DIAPHRAGM	1							
45	3	119802-03141	SPRING, DIAPHRAGM	1							
48	2	119515-11310	GASKET, BONNET	1							
49	2	119515-11320	COVER, BONNET	1							
50	2	119515-11330	GASKET	1							
51	2	22857-500100	SCREW, 5X10	4							
52	2	22857-500100	SCREW, 5X10	4							
53	2	22857-500160	SCREW, 5X16	2							
54	1	24311-000320	O-RING, 1AP32.0	1							
55	1	26106-060202	BOLT, M6X 20 PLATED	3							
56	1	26106-060752	BOLT, M6X 75 PLATED	6							
57	1	119717-77800	PLUG, GLOW	3							

Remarks

- (1) REPAIR PART.
- (2) OPTIONAL PART.

Fig.5. AIR CLEANER

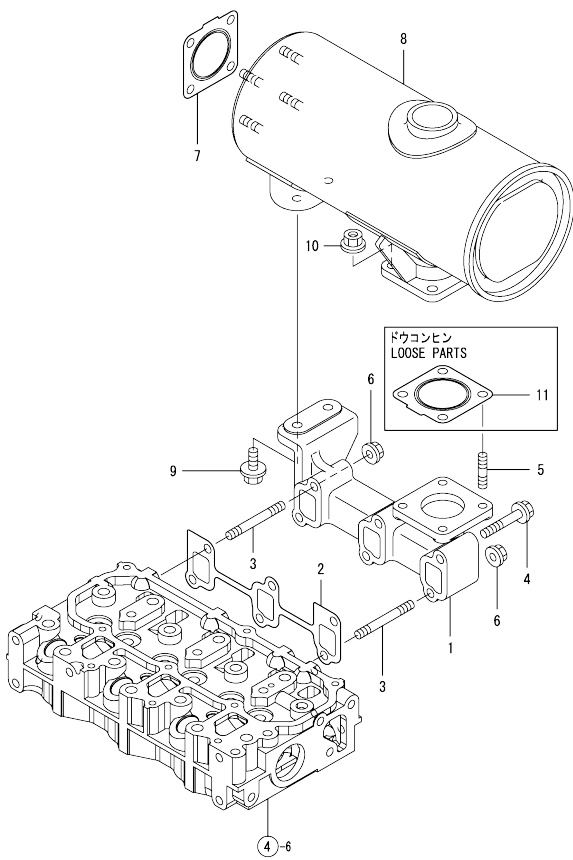


(A)=3TNV70-PSJ
(B)=
(C)=

(D)=
(E)=
(F)=

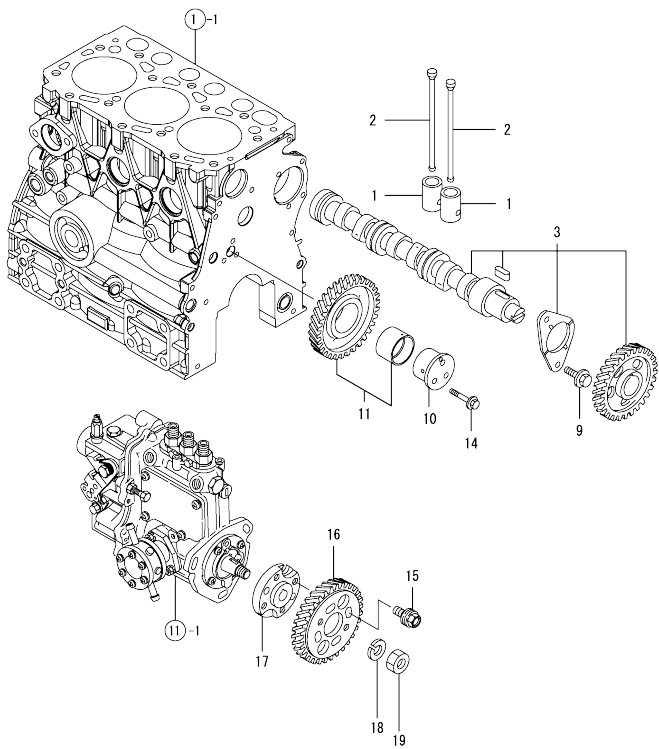
No.	Lev.	Parts No.	Description	Q'ty						I	R
				(A)	(B)	(C)	(D)	(E)	(F)		
1	1	119761-12020	PIPE, AIR INTAKE	1							
2	1	119515-12501	CLEANER ASSY, AIR	1							
3	2	119515-12520	ELEMENT	1							
4	2	119808-12540	VALVE, UNLOADER	1							
5	2	119336-12570	COVER ASSY	1							
6	2	105027-12580	RING	1							
7	1	119515-12600	BRACKET, AIR CLEANER	1							
8	1	23000-054000	CLAMP, 54	2							
9	1	26013-080222	BOLT, M8X 22	2							
10	1	26106-060142	BOLT, M6X 14 PLATED	3							
11	1	26106-080162	BOLT, M8X 16 PLATED	1							

Fig.6. EXHAUST MANIFOLD & SILENCER



No.	Lev.	Parts No.	Description	Q'ty					
				(A)	(B)	(C)	(D)	(E)	(F)
1	1	119717-13109	MANIFOLD, EXHAUST	1					
2	1	119717-13110	GASKET	1					
3	1	119717-13600	STUD, M8X50	2					
4	1	119802-13620	BOLT, M8X50	4					
5	1	119131-18320	STUD, M8X22	4					
6	1	26306-080002	NUT, M8	2					
7	1	119515-13200	GASKET, SILENCER	1					
8	1	119717-13550	SILENCER	1					
9	1	26106-080252	BOLT, M8X 25 PLATED	2					
10	1	26306-080002	NUT, M8	4					
11	1	119515-13200	GASKET, SILENCER	1					

Fig.7. CAMSHAFT & DRIVING GEAR

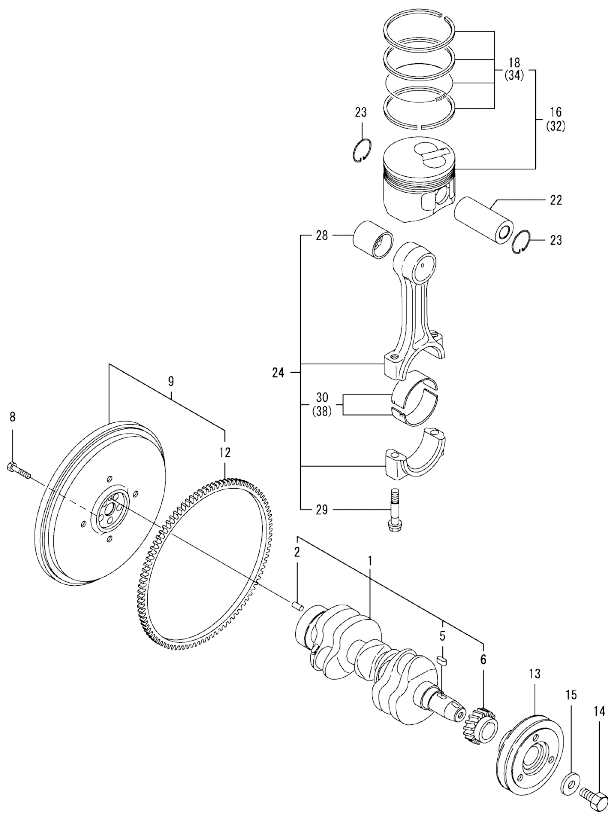


(A)=3TNV70-PSJ
(B)=
(C)=

(D)=
(E)=
(F)=

No.	Lev.	Parts No.	Description	Q'ty					
				(A)	(B)	(C)	(D)	(E)	(F)
1	1	119620-14200	TAPPET	6					
2	1	119515-14400	ROD, PUSH	6					
3	1	119515-14580	CAMSHAFT ASSY	1					
9	1	26106-060122	BOLT, M6X 12 PLATED	2					
10	1	119717-25050	SHAFT, IDLE	1					
11	1	119717-25100	GEAR ASSY, IDLE	1					
14	1	26106-060352	BOLT, M6X 35 PLATED	3					
15	1	129150-25301	BOLT	4					
16	1	119717-25930	GEAR, PUMP	1					
17	1	119717-51150	FLANGE	1					
18	1	22217-120000	WASHER, SPRING 12	1					
19	1	26716-120002	NUT, M12	1					

Fig.8. CRANKSHAFT & PISTON



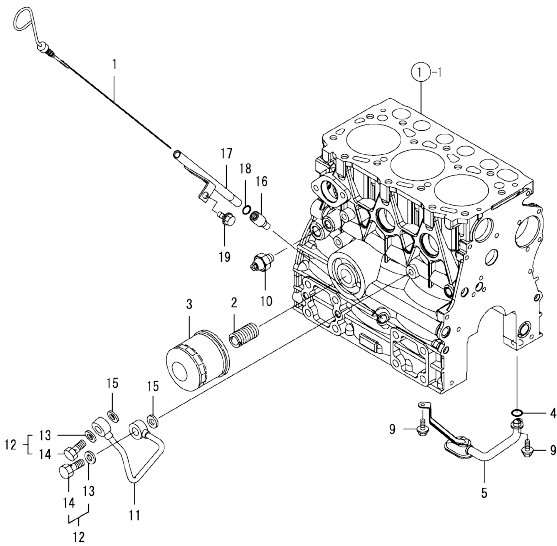
(A)=3TNV70-PSJ
(B)=
(C)=

(D)=
(E)=
(F)=

No.	Lev.	Parts No.	Description	Q'ty						I	R
				(A)	(B)	(C)	(D)	(E)	(F)		
1	1	119515-21700	CRANKSHAFT ASSY	1							
2	2	129100-01580	PIN, M8X16	1							
5	2	22512-040120	KEY, 4X 12	1							
6	2	119717-21200	GEAR, CRANKSHAFT	1							
8	1	119620-21500	BOLT, FLYWHEEL	5							
9	1	119620-21591	FLYWHEEL ASSY	1							
12	2	124060-21600	GEAR, RING	1							
13	1	119717-21650	V-PULLEY	1							
14	1	119621-21680	BOLT, FLANGE 12X1.25	1							
15	1	119620-21941	WASHER	1							
16	1	119515-22080	PISTON ASSY	3							
18	2	119515-22500	RING SET, PISTON	3							
22	1	119515-22300	PIN, PISTON	3							
23	1	22252-000220	RING, 22	6							
24	1	119515-23000	ROD ASSY, CONNECTING	3							
28	2	119717-23910	BEARING, PISTON PIN	3							2
29	2	119717-23200	BOLT, CONNECTING ROD	6							
30	2	119515-23600	BEARING, CRANK PIN	3							
32	1	119515-22900	PISTON ASSY, 0.25 OS	3							1
34	2	119515-22550	RING SET, 0.25 OS	3							1
38	1	119515-23610	METAL ASSY, 0.25	3							3

Remarks
(1) OVER-SIZE(O.S=0.25)PART.
(2) REPAIR PART.
(3) UNDER-SIZE(U.S=0.25)PART.

Fig.9. LUB.OIL SYSTEM



(A)=3TNV70-PSJ
(B)=
(C)=

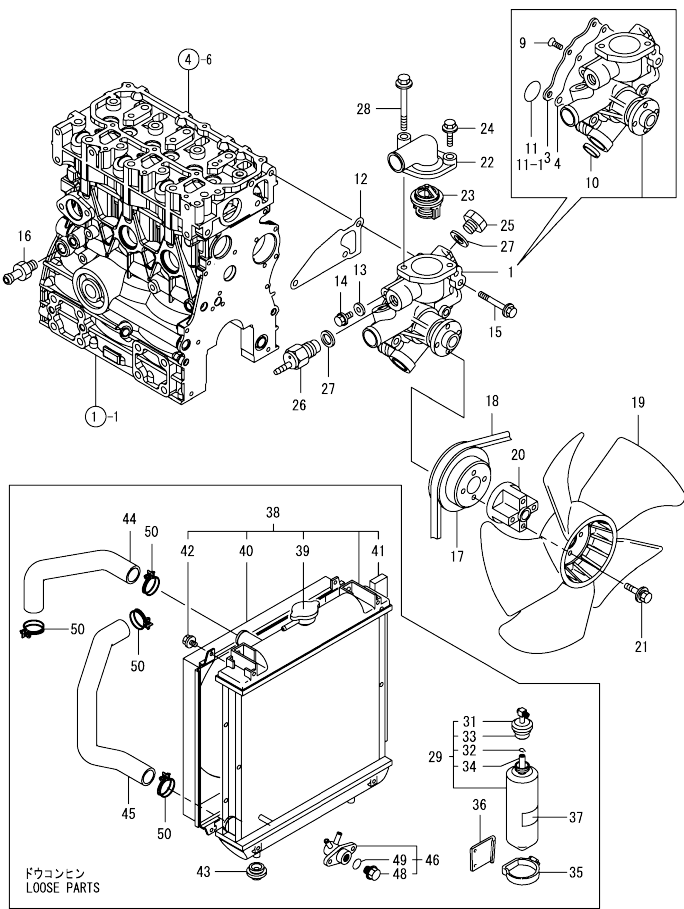
(D)=
(E)=
(F)=

No.	Lev.	Parts No.	Description	Q'ty						I	R
				(A)	(B)	(C)	(D)	(E)	(F)		
1	1	119515-34820	DIPSTICK, OIL	1							
2	1	129100-35140	STUD	1							
3	1	119305-35151	FILTER ASSY, D68XL65	1							1
4	1	119717-32060	O-RING, P15.0	1							
5	1	119515-35080	PIPE ASSY, OIL INLET	1							
9	1	26106-060102	BOLT, M6X 10 PLATED	2							
10	1	121252-39450	SWITCH, 0.5KG	1							
11	1	119717-39210	PIPE, OIL	1							
12	1	129005-59830	BOLT ASSY, JOINT M8	2							
13	2	22190-080002	WASHER, SEAL 6	2							
14	2	23857-030000	BOLT, JOINT 3	2							
15	1	22190-080002	WASHER, SEAL 6	2							
16	1	119260-34810	GUIDE, DIPSTICK	1							
17	1	119534-34810	GUIDE, DIPSTICK	1							
18	1	24311-240100	O-RING, 1AP10A	1							
19	1	26106-060102	BOLT, M6X 10 PLATED	1							

Remarks
(1) REPAIR PART.

N:Old $\frac{100}{100}$ New, Q:Old $\frac{100}{100}$ New, R:Old $\frac{100}{100}$ New, S:Old $\frac{100}{100}$ New, W:Add, Z:Discontinued, F:Interchangeable by set, K:Q'ty Change
Copyright (C) YANMAR CO., LTD. All Rights Reserved.

Fig.10. COOLING WATER SYSTEM



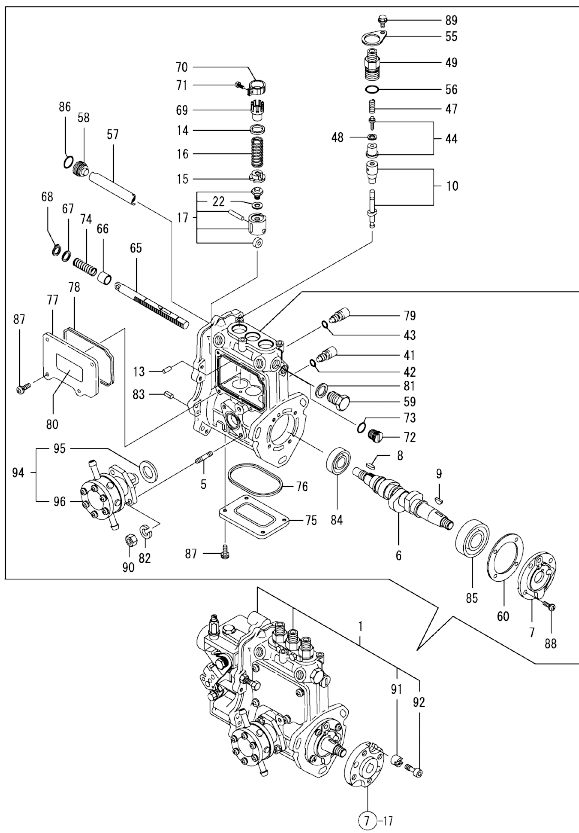
No.	Lev.	Parts No.	Description	Q'ty						I	R
				(A)	(B)	(C)	(D)	(E)	(F)		
1	1	119515-42001	PUMP ASSY, WATER	1							
1-1	1	119515-42002	PUMP ASSY, WATER	1							N
(A=E65332)											
3	2	119515-42041	COVER	1							
4	2	119717-42031	GASKET	1							
9	2	26577-060122	SCREW, M6X12	4							
10	2	27241-250000	PLUG, 25	1							
11	2	119717-42320	O-RING, P26	1							
11-1	2	119C10-42320	O-RING, 2028	1							S
(A=E65332)											
12	1	119515-42020	GASKET, WATER PUMP	1							
13	1	23414-080000	GASKET, 8X1.0	1							
14	1	26106-080122	BOLT, M8X 12 PLATED	1							
15	1	26106-080502	BOLT, M8X 50 PLATED	3							
16	1	121550-49111	JOINT, PT1/4	1							
17	1	119740-42350	V-PULLEY, D=90	1							
18	1	171001-42290	V-BELT, A35.5	1							
19	1	119233-44740	FAN, D=290XUH	1							
20	1	171353-44760	SPACER, FAN	1							
21	1	26106-060352	BOLT, M6X 35 PLATED	4							
22	1	124101-49531	COVER, THERMOSTAT	1							
23	1	119717-49800	THERMOSTAT, 71C	1							
24	1	26106-080252	BOLT, M8X 25 PLATED	1							
25	1	121450-42450	PLUG, M16	1							
26	1	121250-44901	SWITCH, THERMO 110	1							
27	1	124465-44950	GASKET, 16	2							
28	1	26106-080652	BOLT, M8X 65 PLATED	1							
29	1	171064-44510	TANK ASSY, SUB	1							
31	2	121450-44531	CAP	1							
32	2	124450-44560	CLAMP, HOSE	1							
33	2	121470-44581	GASKET	1							
34	2	23065-070225	HOSE 7X 225	1							
35	1	124450-44550	BAND, SUB-TANK	1							
36	1	121256-44600	BRACKET, SUB TANK	1							
37	1	121470-44540	LABEL, SUB-TANK	1							
38	1	119717-44500	RADIATOR ASSY	1							
39	2	129107-44590	CAP, RADIATOR	1							
40	2	119515-44600	SHROUD	1							
41	2	119515-44610	GASKET	2							
42	2	26014-060122	BOLT, M6X 12	4							
43	1	119255-44660	ABSORBER	2							
44	1	119802-49030	PIPE, WATER	1							
45	1	119740-49060	PIPE, WATER	1							
46	1	121450-49110	COCK ASSY, 3-WAY	1							
48	2	23491-140002	PLUG, 14	1							
49	2	24311-000160	O-RING, 1AP16.0	1							
50	1	23010-038000	CLAMP, 38	4							

N:Old $\frac{New}{Old}$ New, Q:Old $\frac{New}{Old}$ New, R:Old $\frac{New}{Old}$ New, S:Old $\frac{New}{Old}$ New, W:Add, Z:Discontinued, F:Interchangeable by set, K:Q'ty Change
 Copyright (C) YANMAR CO., LTD. All Rights Reserved.

Fig.11. FUEL INJECTION PUMP

(A)=3TNV70-PSJ
(B)=
(C)=

(D)=
(E)=
(F)=



No.	Lev.	Parts No.	Description	Q'ty						I	R
				(A)	(B)	(C)	(D)	(E)	(F)		
1	1	719544-51360	PUMP ASSY, INJECTION	1							1
5	2	129155-51020	STUD	2							
6	2	119717-51030	CAMSHAFT	1							
7	2	119717-51060	SUPPORT, CAMSHAFT	1							
8	2	119717-51070	KEY	1							
9	2	122710-51090	KEY	1							
10	2	119515-51100	PLUNGER ASSY	3							
13	2	129155-51140	PIN	3							
14	2	158600-51170	RETAINER, SPRING	3							
15	2	119717-51180	RETAINER, SPRING	3							
16	2	119717-51190	SPRING, PLUNGER	3							
17	2	119717-51200	TAPPET ASSY	3							
22	3	129155-51600	SHIM SET, ADJUSTING	1							
41	2	158600-51270	STOPPER, TAPPET	3							
42	2	129155-51280	O-RING, S6	3							
43	2	129155-51280	O-RING, S6	1							
44	2	119717-51300	VALVE ASSY, DELIVERY	3							
47	2	119717-51330	SPRING, DELIVERY	3							
48	2	124550-51350	GASKET, DELIVERY	3							
49	2	158600-51441	VALVE ASSY, DELIVERY	3							
55	2	118400-51370	LOCKING	3							
56	2	24316-000150	O-RING, 4DP15.0	3							
57	2	129155-51400	DEFLECTOR	1							
58	2	158600-51410	PLUG, DEFLECTOR	1							
59	2	158600-51420	PLUG, DEFLECTOR	1							
60	2	129155-51450	SHIM SET, ADJUSTING	1							
65	2	119717-51500	RACK, CONTROL	1							
66	2	129155-51521	BUSH, RACK	1							
67	2	129155-51530	SPACER	1							
68	2	129155-51540	CIRCLIP	1							
69	2	129155-51550	PINION, CONTROL	3							
70	2	129100-51560	PINION	3							
71	2	129100-51570	SCREW	3							
72	2	158600-51570	PLUG	1							
73	2	129155-51580	O-RING	1							
74	2	129155-51591	SPRING, RACK	1							
75	2	129155-51701	COVER	1							
76	2	119717-51710	GASKET	1							
77	2	119717-51750	COVER	1							
78	2	119717-51760	GASKET	1							
79	2	158600-51790	STOOPER, RACK	1							
80	2	129156-51910	LABEL, CAUTION	1							
81	2	22190-160002	WASHER, SEAL 16	1							
82	2	22217-060000	WASHER, SPRING 6	2							
83	2	22351-050010	PIN, SPRING 5.0X10	2							
84	2	24101-060034	BEARING, BALL 6003	1							
85	2	24101-063034	BEARING, BALL 6303	1							
86	2	119717-51420	O-RING	1							
87	2	26022-050122	SCREW, M5X12	8							
88	2	26022-060162	SCREW, M6X16	4							
89	2	26106-050102	BOLT, M5X10 PLATED	3							

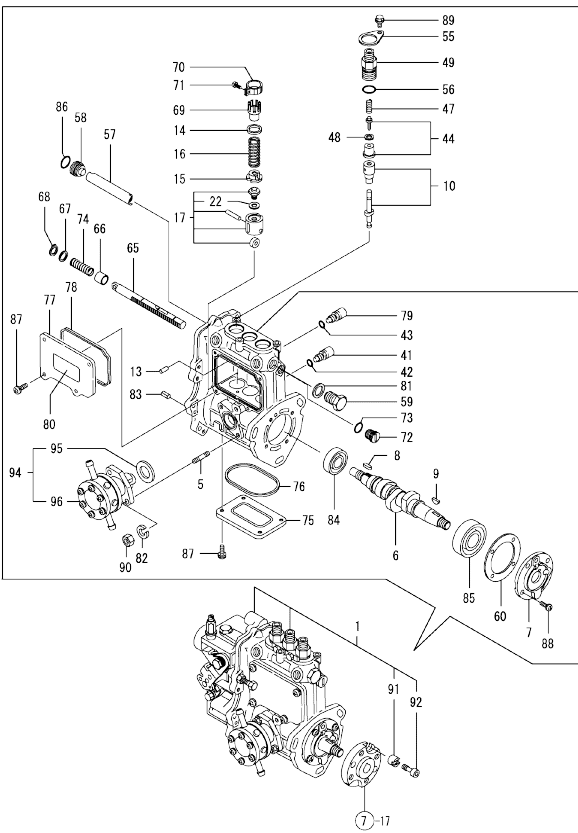
Remarks
(1) GOVERNOR ASSY(FIG.12) IS
INCORPORATED IN THIS FOP.CMP
(REF.NO.1).

N:Old $\frac{New}{Old}$ New, Q:Old $\frac{New}{Old}$ New, R:Old $\frac{New}{Old}$ New, S:Old $\frac{New}{Old}$ New, W:Add, Z:Discontinued, F:Interchangeable by set, K:Q'ty Change
++ CONTINUE ++
Copyright (C) YANMAR CO., LTD. All Rights Reserved.

Fig.11. FUEL INJECTION PUMP

(A)=3TNV70-PSJ
(B)=
(C)=

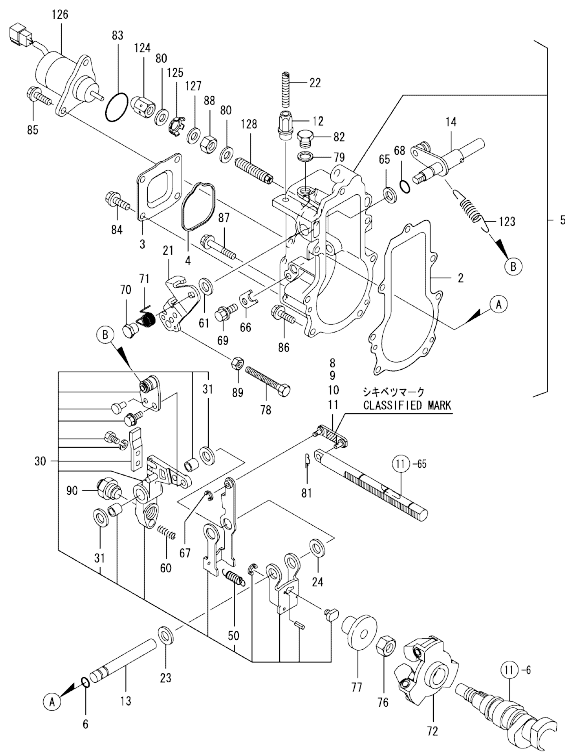
(D)=
(E)=
(F)=



No.	Lev.	Parts No.	Description	Q'ty						I	R
				(A)	(B)	(C)	(D)	(E)	(F)		
90	2	26716-060002	NUT, M6	2							
91	2	119717-51480	COLLAR	1							
92	2	119717-51490	BOLT	1							
94	2	129100-52000	PUMP ASSY, FUEL FEED	1							
95	3	129155-52051	GASKET	1							
96	3	129100-52101	PUMP ASSY, FUEL FEED	1							

Remarks
(1) GOVERNOR ASSY(FIG.12) IS
INCORPORATED IN THIS FOP.CMP
(REF.NO.1).

Fig.12. GOVERNOR



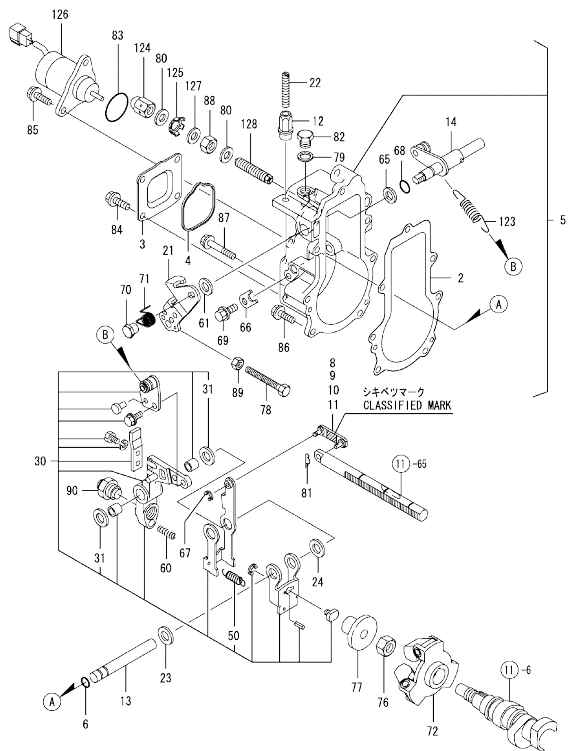
Remarks

(1) SELECTIVE PARTS:CERTAIN THE CLASSIFICATION MARK, THEN PLACE YOUR ORDER. (REF TO ILLUSTRATION).
 * THIS FIGURE (GOVERNOR ASSY) IS INCORPORATED IN THE FUEL INJECTION PUMP ASSY (FIG.11).

No.	Lev.	Parts No.	Description	Q'ty						I	R
				(A)	(B)	(C)	(D)	(E)	(F)		
2	2	119717-61050	GASKET	1							
3	2	119717-61060	COVER, GOVERNOR CASE	1							
4	2	119717-61070	GASKET	1							
5	2	119540-61100	CASE ASSY, GOVERNOR	1							
6	3	129155-61280	O-RING, S6	1							
8	3	119717-61120	LINK, MARK :3	1							1
9	3	119717-61130	LINK, MARK 98	1							1
10	3	119717-61140	LINK, MARK 88	1							1
11	3	119717-61150	LINK, MARK 03	1							1
12	3	129209-61370	NUT, M6	1							
13	3	129052-61390	SHAFT	1							
14	3	119717-61400	SHAFT ASSY	1							
21	3	119515-61440	LEVER, CONTROL	1							
22	3	129155-61450	BOLT, LIMITER	1							
23	3	129156-61460	SHIM, T=0.6	1							
24	3	129155-61480	SPACER ASSY	1							
30	3	119761-61500	LEVER ASSY, GOVERNOR	1							
31	4	174307-51700	SHIM SET	2							
50	4	129486-61540	SPRING, SET	1							
60	3	129486-61650	SPRING, STARTING	1							
61	3	158552-61700	SHIM SET	1							
65	3	158552-61710	SHIM, T=1.0	1							
66	3	119660-61901	RETAINER, SHAFT	1							
67	3	22272-000030	RING, E- 3	1							
68	3	24341-000070	O-RING, 1AS7.0	1							
69	3	26106-060102	BOLT, M6X 10 PLATED	1							
70	3	129255-61410	NUT, LOCK	1							
71	3	129255-61420	SPRING, RETURN	1							
72	2	119717-61200	WEIGHT ASSY, GOVERNOR	1							
76	2	119660-61300	NUT	1							
77	2	129155-61341	SLEEVE	1							
78	2	129155-61460	BOLT, IDLE	1							
79	2	22190-100002	WASHER, SEAL 10	1							
80	2	22190-120002	WASHER, SEAL 12	2							
81	2	22372-040000	PIN, SNAP 4	1							
82	2	23887-100002	PLUG, 10	1							
83	2	24341-000280	O-RING, 1AS28.0	1							
83-1	2	158552-61900	O-RING	1							N
(A=EXXXXX)											
84	2	26106-060102	BOLT, M6X 10 PLATED	4							
85	2	26106-060142	BOLT, M6X 14 PLATED	2							
86	2	26106-060202	BOLT, M6X 20 PLATED	4							
87	2	26106-060452	BOLT, M6X 45 PLATED	3							
88	2	26736-120002	NUT, M12	1							
89	2	26756-060002	NUT, LOCK M6	1							
90	2	119717-61550	ANGLEICH ASSY	1							
123	2	123946-61390	SPRING, GOVERNOR	1							
124	2	129209-61930	NUT, CAP	1							
125	2	129209-61970	PLATE	1							
126	2	119653-77950	SOLENOID, STOP	1							
127	2	23414-120016	GASKET, 12X1.0	1							

N:Old $\frac{New}{Old}$ New, Q:Old $\frac{New}{Old}$ New, R:Old $\frac{New}{Old}$ New, S:Old $\frac{New}{Old}$ New, W:Add, Z:Discontinued, F:Interchangeable by set, K:Q'ty Change
 ++ CONTINUE ++
 Copyright (C) YANMAR CO., LTD. All Rights Reserved.

Fig.12. GOVERNOR



(A)=3TNV70-PSJ
(B)=
(C)=

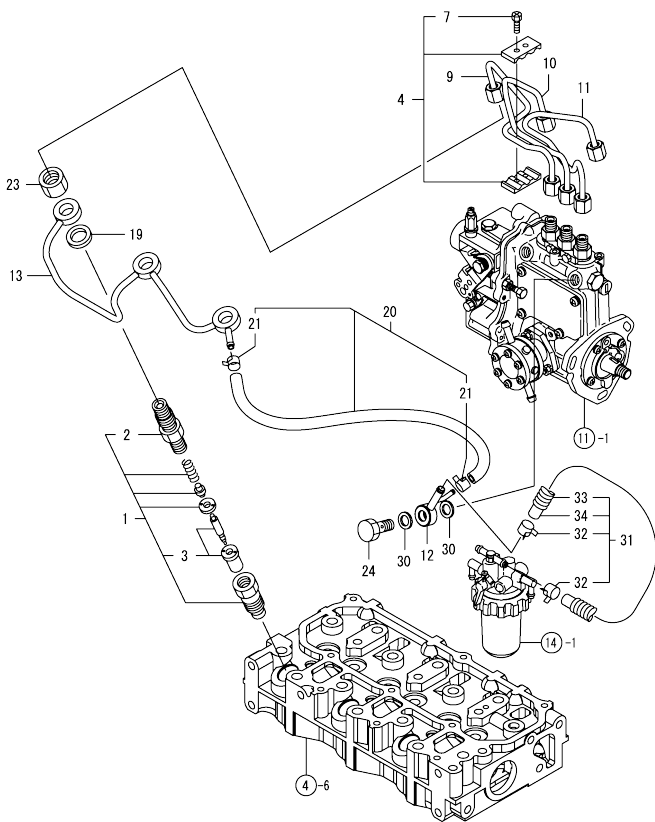
(D)=
(E)=
(F)=

No.	Lev.	Parts No.	Description	Q'ty						I	R
				(A)	(B)	(C)	(D)	(E)	(F)		
128	2	158601-61710	LIMITER ASSY, FUEL	1							

Remarks

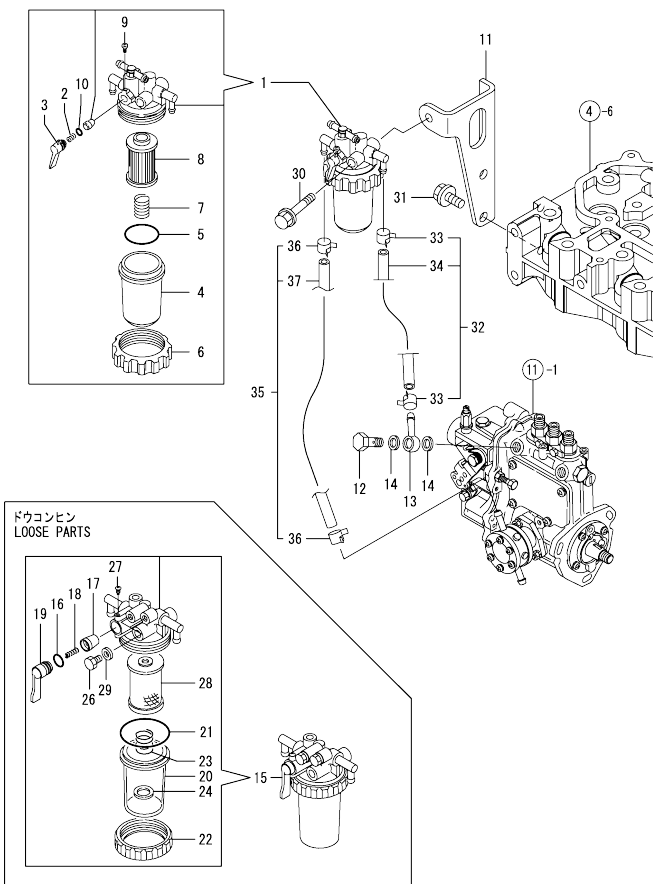
(1) SELECTIVE PARTS: CERTAIN THE CLASSIFICATION MARK, THEN PLACE YOUR ORDER. (REF TO ILLUSTRATION).
* THIS FIGURE (GOVERNOR ASSY) IS INCORPORATED IN THE FUEL INJECTION PUMP ASSY (FIG. 11).

Fig.13. FUEL INJECTION VALVE



No.	Lev.	Parts No.	Description	Q'ty					
				(A)	(B)	(C)	(D)	(E)	(F)
1	1	119515-53001	VALVE ASSY,INJECTION	3					
2	2	118200-53010	HOLDER, NOZZLE	3					
3	2	119515-53010	VALVE ASSY,INJECTION	3					
4	1	129150-59120	RETAINER, PIPE	1					
7	2	129150-59131	BOLT, M4X14	2					
9	1	119546-59810	PIPE ASSY, INJECTION	1					
10	1	119546-59820	PIPE ASSY, INJECTION	1					
11	1	119546-59830	PIPE ASSY, INJECTION	1					
12	1	119840-59570	JOINT	1					
13	1	119515-59540	PIPE ASSY, RETURN	1					
19	1	129901-59560	GASKET	3					
20	1	119540-59570	PIPE ASSY, RETURN	1					
21	2	124066-59100	CLIP, HOSE 8	2					
23	1	119620-59700	NUT, NOZZLE	3					
24	1	119813-59950	VALVE ASSY, CHECK	1					
30	1	22190-120002	WASHER, SEAL 12	2					
31	1	129950-59211	PIPE, FUEL	1					
32	2	124766-59050	CLIP, HOSE 12	2					
33	2	129950-59221	TUBE, CORRUGATED	1					
34	2	105025-59530	PIPE, FUEL D13X400	1					

Fig.14. FUEL LINE

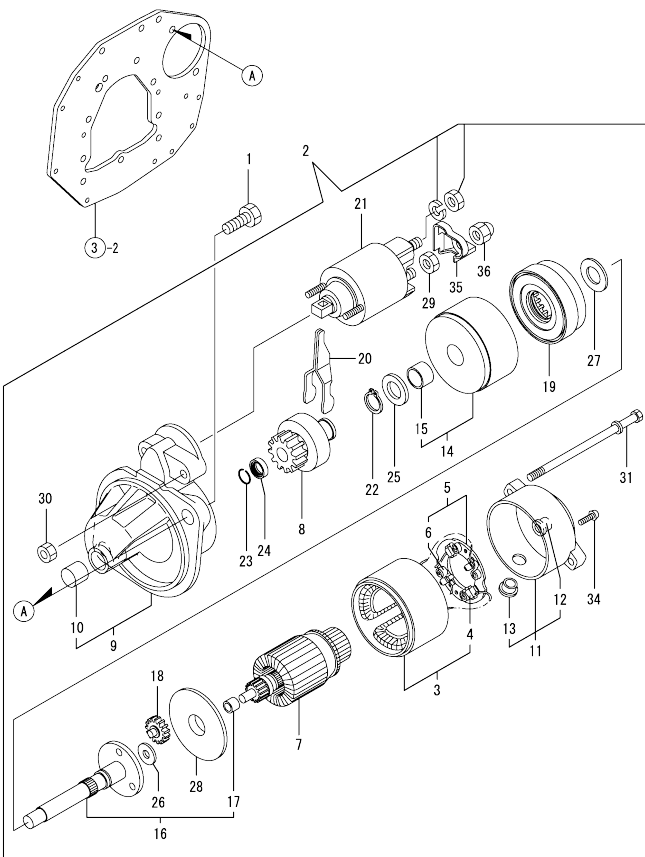


No.	Lev.	Parts No.	Description	Q'ty						I	R
				(A)	(B)	(C)	(D)	(E)	(F)		
1	1	119833-55620	FILTER ASSY, FUEL	1							
2	2	104200-55330	SPRING, VALVE	1							
3	2	119810-55340	LEVER	1							
4	2	121254-55510	COVER	1							
5	2	102103-55520	O-RING	1							
6	2	110250-55610	RING, RETAINING	1							
7	2	121250-55620	SPRING	1							
8	2	119810-55650	ELEMENT	1							
9	2	104200-55750	SCREW, M4	1							
10	2	24311-240100	O-RING, 1AP10A	1							
11	1	119717-55650	BRACKET, FILTER	1							
12	1	103854-39140	BOLT, PIPE JOINT	1							
13	1	101304-59020	JOINT, PIPE 12	1							
14	1	22190-120002	WASHER, SEAL 12	2							
15	1	129335-55700	SEPARATOR ASSY, WATER	1							
16	2	24311-240100	O-RING, 1AP10A	1							
17	2	104200-55321	VALVE, TAPER	1							
18	2	104200-55330	SPRING, VALVE	1							
19	2	104200-55341	HANDLE	1							
20	2	124064-55510	COVER	1							
21	2	102103-55520	O-RING	1							
22	2	110250-55610	RING, RETAINING	1							
23	2	121257-55720	SPRING	1							
24	2	121257-55731	FLOAT	1							
26	2	101720-55750	PLUG, 6	2							
27	2	104200-55750	SCREW, M4	1							
28	2	171081-55910	SCREEN	1							
29	2	23418-060000	GASKET, 6X1.0	2							
30	1	26014-080702	BOLT, M8X 70	1							
31	1	26106-080162	BOLT, M8X 16 PLATED	2							
32	1	129210-59080	PIPE ASSY, FUEL	1							
33	2	124766-59050	CLIP, HOSE 12	2							
34	2	129136-59110	PIPE, D13/7.5X270	1							
35	1	129210-59150	PIPE ASSY, FUEL	1							
36	2	124766-59050	CLIP, HOSE 12	2							
37	2	105025-59530	PIPE, FUEL D13X400	1							

N:Old $\frac{100}{100}$ New, Q:Old $\frac{100}{100}$ New, R:Old $\frac{100}{100}$ New, S:Old $\frac{100}{100}$ New, W:Add, Z:Discontinued, F:Interchangeable by set, K:Qty Change
 Copyright (C) YANMAR CO., LTD. All Rights Reserved.

OCD10-M86300 ENGINE (3TNV70-PSJ)
Fig.15. STARTING MOTOR

OCD10-M86300 Fig.15



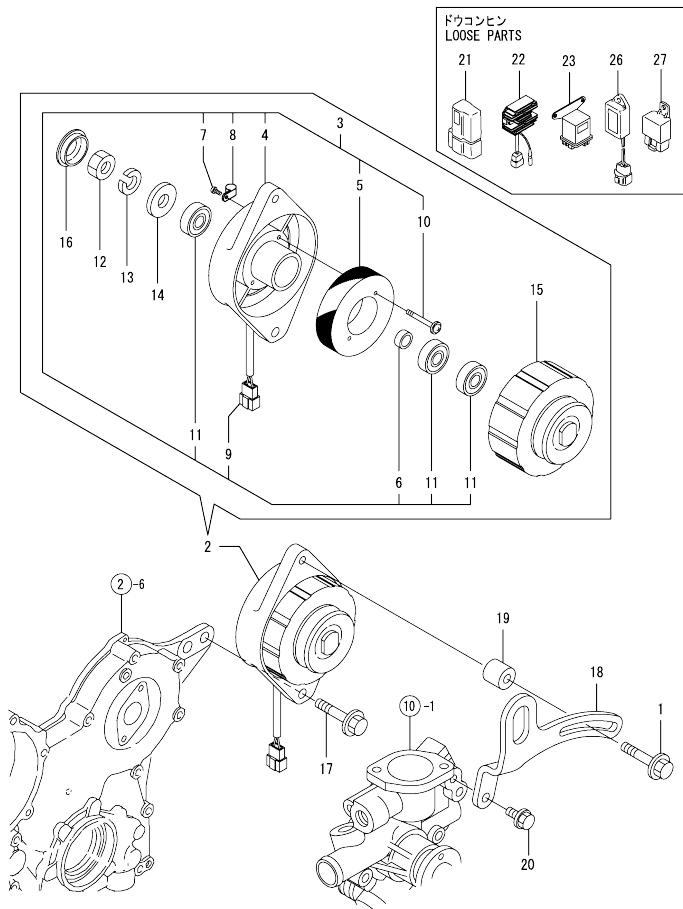
(A)=3TNV70-PSJ
 (B)=
 (C)=

(D)=
 (E)=
 (F)=

No.	Lev.	Parts No.	Description	Q'ty					
				(A)	(B)	(C)	(D)	(E)	(F)
1	1	26116-120202	BOLT, M12X 20 PLATED	2					
2	1	119255-77010	STARTER	1					
3	2	X0281007680	YOKE ASSY	1					
4	3	X0280996180	STARTER KIT	2					
5	2	X0285105190	HOLDER ASSY	1					
6	3	X0285205030	SPRING	4					
7	2	X0282005871	ARMATURE ASSY	1					
8	2	X0283006960	CLUTCH ASSY	1					
9	2	X2284005750	HOUSING ASSY	1					
10	3	X9491050100	BEARING, NEEDLE	1					
11	2	X0285005770	FRAME ASSY	1					
12	3	X9491040990	BEARING	1					
13	3	X0280626010	COVER	1					
14	2	X0284105010	BEARING ASSY	1					
15	3	X9491034330	BEARING	1					
16	2	X0286105010	SHAFT ASSY	1					
17	3	X9491034320	BEARING	1					
18	2	X0286305010	GEAR	3					
19	2	X0286355010	GEAR	1					
20	2	X0287405140	LEVER	1					
21	2	X0534007800	SWITCH ASSY	1					
22	2	X9055715000	RING	1					
23	2	X9490721360	RING	1					
24	2	X0280210331	NUT	1					
25	2	X9490138110	WASHER	1					
26	2	X9490138090	WASHER	1					
27	2	X9490138100	WASHER	1					
28	2	X0284525010	PLATE	1					
29	2	X9490562360	NUT	1					
30	2	X9490560750	NUT	2					
31	2	X9490423520	BOLT, THROUGH	2					
34	2	X9490065670	SCREW, M4X6	2					
35	2	X0280335360	COVER, TERMINAL	1					
36	2	X1289510130	NUT	1					

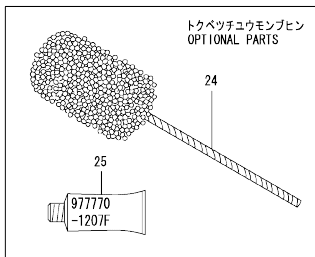
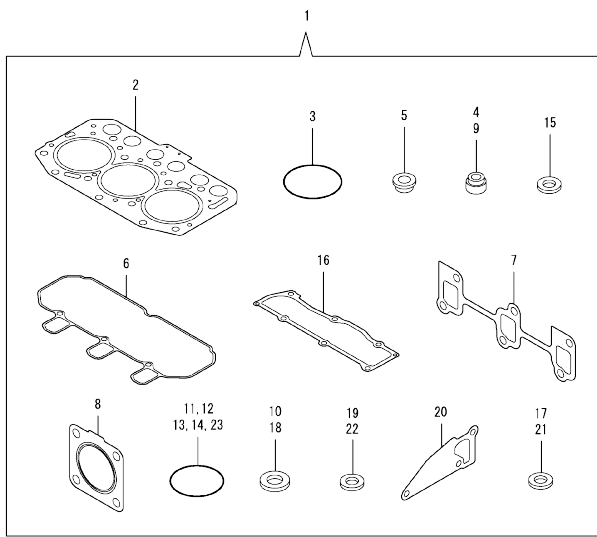
N:Old $\frac{New}{Old}$ New, Q:Old $\frac{New}{Old}$ New, R:Old $\frac{New}{Old}$ New, S:Old $\frac{New}{Old}$ New, W:Add, Z:Discontinued, F:Interchangeable by set, K:Q'ty Change
 Copyright (C) YANMAR CO., LTD. All Rights Reserved.

Fig.16. GENERATOR



No.	Lev.	Parts No.	Description	Q'ty						I	R
				(A)	(B)	(C)	(D)	(E)	(F)		
1	1	129972-77341	BOLT, ADJUSTER L=50	1							
2	1	119910-77200	DYNAMO ASSY	1							
3	2	X2A10592KA	PLATE ASSY	1							
4	3	X2A07075KB	PLATE, COIL	1							
5	3	X3A02982KC	STATOR ASSY	1							
6	3	X4A10092KA	COLLAR	1							
7	3	XYSPS400800	SCREW	1							
8	3	XM069000000	CLAMP	1							
9	3	XM771860000	COUPLER	1							
10	3	119259-77250	SCREW	2							
11	3	24104-062010	BEARING, 6201UUC3	3							
12	2	XM863720000	NUT	1							
13	2	XM219230000	WASHER	1							
14	2	XM860250000	WASHER	1							
15	2	X3A08863KA	FLYWHEEL ASSY	1							
16	2	XM771870000	CAP	1							
17	1	26106-100402	BOLT, M10X 40 PLATED	1							
18	1	119253-77331	ADJUSTER	1							
19	1	124732-77340	SPACER	1							
20	1	26106-080202	BOLT, M8X 20 PLATED	1							
21	1	119643-66900	DIODE	1							
22	1	119653-77710	LIMITER, CURRENT	1							
23	1	119650-77910	RELAY ASSY, GLOW	1							
26	1	129211-77920	TIMER	1							
27	1	119247-77100	RELAY, SAFETY	3							

Fig.17. GASKET SET



Remarks
(1) OPTIONAL PART.

No.	Lev.	Parts No.	Description	Q'ty						I	R
				(A)	(B)	(C)	(D)	(E)	(F)		
1	1	719515-92860	GASKET SET	1							1
2	2	119515-01330	GASKET, HEAD	1							
3	2	121850-51960	O-RING	1							
4	2	119717-11340	SEAL, VALVE STEM	3							
5	2	129901-11450	PROTECTOR, NOZZLE	3							
6	2	119515-11310	GASKET, BONNET	1							
7	2	119717-13110	GASKET	1							
8	2	119515-13200	GASKET, SILENCER	2							
9	2	119717-11350	SEAL, VALVE STEM	3							
10	2	22190-080002	WASHER, SEAL 6	4							
11	2	24311-000320	O-RING, 1AP32.0	2							
12	2	119717-32060	O-RING, P15.0	1							
13	2	119624-32040	O-RING, P12.0	1							
14	2	119717-32050	O-RING, P17.0	3							
15	2	119600-11460	GASKET, NOZZLE	6							
16	2	119515-11330	GASKET	1							
17	2	22190-160002	WASHER, SEAL 16	1							
18	2	22190-120002	WASHER, SEAL 12	4							
19	2	129901-59560	GASKET	3							
20	2	119515-42020	GASKET, WATER PUMP	1							
21	2	23414-080000	GASKET, 8X1.0	1							
22	2	124465-44950	GASKET, 16	2							
23	2	24311-240100	O-RING, 1AP10A	1							
24	1	129400-92410	HONE	1							1
25	1	977770-1207F	GASKET, LIQUID	1							1

Parts No. Index

Parts No.	Fig. No.	Ref. No.	Parts No.	Fig. No.	Ref. No.	Parts No.	Fig. No.	Ref. No.	Parts No.	Fig. No.	Ref. No.
101304-59020	14	13	119515-11800	4	11	119621-21680	8	14	119717-42031	10	4
101720-55750	14	26	119515-12501	5	2	119623-01250	1	7	119717-42320	10	11
102103-55520	14	5	119515-12520	5	3	119624-32040	2	20	119717-44500	10	38
		21	119515-12600	5	7		17	13	119717-49800	10	23
103854-39140	14	12	119515-13200	6	7	119643-66900	16	21	119717-51030	11	6
104200-55321	14	17			11	119650-77910	16	23	119717-51060	11	7
104200-55330	14	2			8	119653-77710	16	22	119717-51070	11	8
		18	119515-14400	7	2	119653-77950	12	126	119717-51150	7	17
104200-55341	14	19	119515-14580	7	3	119660-01911	2	19	119717-51180	11	15
104200-55750	14	9	119515-21700	8	1	119660-61300	12	76	119717-51190	11	16
		27	119515-22080	8	16	119660-61901	12	66	119717-51200	11	17
105010-11490	4	5	119515-22300	8	22	119717-01501	2	1	119717-51300	11	44
105025-59530	13	34	119515-22500	8	18	119717-01521	2	6	119717-51330	11	47
		14	119515-22550	8	34	119717-01570	2	3	119717-51420	11	86
105027-12580	5	6	119515-22900	8	32	119717-01590	2	4	119717-51480	11	91
105311-01090	1	6	119515-23000	8	24	119717-01750	2	18	119717-51490	11	92
105425-01690	3	6	119515-23600	8	30	119717-02410	1	13	119717-51500	11	65
110250-55610	14	6	119515-23610	8	38	119717-02930	1	27	119717-51710	11	76
		22	119515-34820	9	1	119717-03031	4	38	119717-51750	11	77
118200-53010	13	2	119515-35080	9	5	119717-03070	4	39	119717-51760	11	78
118400-51370	11	55	119515-42001	10	1			40	119717-55650	14	11
119131-18320	6	5	119515-42002	10	1 -1	119717-11131	4	17	119717-61050	12	2
119233-44740	10	19	119515-42002	10	12	119717-11190	4	19	119717-61060	12	3
119247-77100	16	27	119515-42020	17	20	119717-11260	4	27	119717-61070	12	4
119253-77331	16	18	119515-42041	10	3	119717-11340	4	20	119717-61120	12	8
119255-44660	10	43	119515-44600	10	40			17	119717-61130	12	9
119255-77010	15	2	119515-44610	10	41	119717-11350	4	21	119717-61140	12	10
119259-77250	16	10	119515-51100	11	10			17	119717-61150	12	11
119260-34810	9	16	119515-53001	13	1	119717-11650	4	29	119717-61200	12	72
119285-01990	1	9	119515-53010	13	3	119717-13109	6	1	119717-61400	12	14
119285-11990	4	13	119515-59540	13	13	119717-13110	6	2	119717-61550	12	90
119305-35151	9	3	119515-61440	12	21			17	119717-77800	4	57
119336-12570	5	5	119527-01600	3	2	119717-13550	6	8	119717-77820	4	1
119515-01200	1	30	119527-01640	3	16	119717-13600	6	3	119740-42350	10	17
119515-01330	1	31	119534-34810	9	17	119717-21200	8	6	119740-49060	10	45
		17	119540-59570	13	20	119717-21650	8	13	119761-12020	5	1
119515-01720	3	3	119540-61100	12	5	119717-23200	8	29	119761-61500	12	30
119515-01770	3	5	119546-59810	13	9	119717-23910	8	28	119802-03100	4	41
119515-11100	4	15	119546-59820	13	10	119717-25050	7	10	119802-03110	4	42
119515-11110	4	16	119546-59830	13	11	119717-25100	7	11	119802-03121	4	43
119515-11200	4	23	119600-11460	4	4	119717-25930	7	16	119802-03131	4	44
119515-11240	4	24			17	119717-32050	2	21	119802-03141	4	45
119515-11280	4	28	119620-01620	3	15			17	119802-13620	6	4
119515-11310	4	48	119620-01800	2	8	119717-32060	9	4	119802-32130	2	17
		17	119620-02020	1	10			17	119802-49030	10	44
119515-11320	4	49	119620-14200	7	1	119717-32080	2	11	119808-12540	5	4
119515-11330	4	50	119620-21500	8	8	119717-32100	2	10	119810-02940	1	32
		17	119620-21591	8	9	119717-32110	2	15	119810-55340	14	3
119515-11380	4	37	119620-21941	8	15	119717-32120	2	16	119810-55650	14	8
119515-11740	4	6	119620-59700	13	23	119717-39210	9	11	119813-59950	13	24

Parts No. Index

Parts No.	Fig. No.	Ref. No.
119833-55620	14	1
119840-59570	13	12
119910-77200	16	2
119C10-42320	10	11 -1
121250-44901	10	26
121250-55620	14	7
121252-39450	9	10
121254-55510	14	4
121256-44600	10	36
121257-55720	14	23
121257-55731	14	24
121450-42450	10	25
121450-44531	10	31
121450-49110	10	46
121470-44540	10	37
121470-44581	10	33
121550-49111	10	16
121850-51960	2	22
	17	3
122710-51090	11	9
123946-61390	12	123
124060-01050	1	5
124060-21600	8	12
124064-55510	14	20
124066-59100	13	21
124085-02220	3	18
124101-49531	10	22
124160-01751	2	30
	4	36
124160-01910	1	8
124450-44550	10	35
124450-44560	10	32
124465-44950	10	27
	17	22
124550-51350	11	48
124732-77340	16	19
124766-59050	13	32
	14	33
		36
129001-32320	2	13
129001-32330	2	14
129005-59830	9	12
129052-61390	12	13
129100-01580	3	1
	8	2
129100-35140	9	2
129100-51560	11	70
129100-51570	11	71
129100-52000	11	94
129100-52101	11	96

Parts No.	Fig. No.	Ref. No.
129107-44590	10	39
129136-59110	14	34
129150-11230	4	30
129150-11750	4	32
129150-25301	7	15
129150-59120	13	4
129150-59131	13	7
129155-51020	11	5
129155-51140	11	13
129155-51280	11	42
		43
	12	6
129155-51400	11	57
129155-51450	11	60
129155-51521	11	66
129155-51530	11	67
129155-51540	11	68
129155-51550	11	69
129155-51580	11	73
129155-51591	11	74
129155-51600	11	22
129155-51701	11	75
129155-52051	11	95
129155-61341	12	77
129155-61450	12	22
129155-61460	12	78
129155-61480	12	24
129156-51910	11	80
129156-61460	12	23
129209-61370	12	12
129209-61930	12	124
129209-61970	12	125
129210-59080	14	32
129210-59150	14	35
129211-77920	16	26
129255-61410	12	70
129255-61420	12	71
129335-55700	14	15
129400-92410	17	24
129486-61540	12	50
129486-61650	12	60
129508-11180	4	18
129900-32130	2	12
129901-11450	4	3
	17	5
129901-59560	13	19
	17	19
129950-59211	13	31
129950-59221	13	33
129972-77341	16	1

Parts No.	Fig. No.	Ref. No.
158552-61700	12	61
158552-61710	12	65
158552-61900	12	83 -1
158600-51170	11	14
158600-51270	11	41
158600-51410	11	58
158600-51420	11	59
158600-51441	11	49
158600-51570	11	72
158600-51790	11	79
158601-61710	12	128
171001-42290	10	18
171064-44510	10	29
171081-55910	14	28
171353-44760	10	20
174307-51700	12	31
22190-080002	9	13
		15
	17	10
22190-100002	12	79
22190-120002	12	80
	13	30
	14	14
	17	18
22190-160002	3	8
	11	81
	17	17
22217-060000	11	82
22217-120000	7	18
22242-000120	4	33
22252-000220	8	23
22272-000030	12	67
22351-050010	11	83
22351-060012	4	22
22372-040000	12	81
22512-040120	8	5
22857-500100	4	51
		52
22857-500160	4	53
23000-054000	5	8
23010-038000	10	50
23065-070225	10	34
23414-080000	10	13
	17	21
23414-120016	12	127
23418-060000	14	29
23491-140002	10	48
23857-030000	9	14
23876-005000	4	14
23876-030000	2	9

Parts No.	Fig. No.	Ref. No.
23887-100002	12	82
24101-060034	11	84
24101-063034	11	85
24104-062010	16	11
24311-000160	10	49
24311-000320	2	31
	4	54
	17	11
24311-240100	9	18
	14	10
		16
	17	23
24316-000150	11	56
24341-000070	12	68
24341-000280	12	83
26013-080222	5	9
26014-060122	10	42
26014-080702	14	30
26022-050122	11	87
26022-060162	11	88
26106-050102	11	89
26106-060102	9	9
		19
	12	69
		84
26106-060122	2	23
	3	9
	7	9
26106-060142	5	10
	12	85
26106-060162	2	24
26106-060202	4	55
	12	86
26106-060222	3	19
26106-060252	3	10
26106-060352	7	14
	10	21
26106-060402	2	25
		26
26106-060452	3	11
	12	87
26106-060602	2	27
26106-060652	2	28
26106-060752	4	56
26106-080122	10	14
26106-080162	5	11
	14	31
26106-080202	16	20
26106-080252	6	9
	10	24

Parts No. Index

Parts No.	Fig. No.	Ref. No.
26106-080402	4	35
26106-080502	10	15
26106-080652	10	28
26106-100402	16	17
26116-120202	15	1
26206-100202	3	12
26206-100252	3	13
26306-080002	2	29
	6	6
	10	10
26577-060122	10	9
26716-060002	11	90
26716-120002	7	19
26736-120002	12	88
26756-060002	12	89
26979-050162	4	34
27241-120000	1	14
27241-250000	10	10
719515-01560	1	1
719515-92660	17	1
719544-51360	11	1
719717-01500	2	5
719717-02900	1	15
719717-02910	1	35
977770-1207F	2	32
	3	14
	4	2
	17	25
X0280210331	15	24
X0280335360	15	35
X0280626010	15	13
X0280996180	15	4
X0281007680	15	3
X0282005871	15	7
X0283006960	15	8
X0284105010	15	14
X0284525010	15	28
X0285005770	15	11
X0285105190	15	5
X0285205030	15	6
X0286105010	15	16
X0286305010	15	18
X0286355010	15	19
X0287405140	15	20
X0534007800	15	21
X1289510130	15	36
X2284005750	15	9
X2A07075KB	16	4
X2A10592KA	16	3
X3A02982KC	16	5

Parts No.	Fig. No.	Ref. No.
X3A08863KA	16	15
X4A10092KA	16	6
X9055715000	15	22
X9490065670	15	34
X9490138090	15	26
X9490138100	15	27
X9490138110	15	25
X9490423520	15	31
X9490560750	15	30
X9490562360	15	29
X9490721360	15	23
X9491034320	15	17
X9491034330	15	15
X9491040990	15	12
X9491050100	15	10
XM069000000	16	8
XM219230000	16	13
XM771860000	16	9
XM771870000	16	16
XM860250000	16	14
XM863720000	16	12
XYSPS400800	16	7

Parts No.	Fig. No.	Ref. No.
-----------	----------	----------

Parts No.	Fig. No.	Ref. No.
-----------	----------	----------