

0CD50-M00840EN

P R E F A C E

This parts catalog is the 1st edition of 3TNV70-STYMB for Tong Yang Moolsan Co., Ltd.

Published : November, 2014

Contents

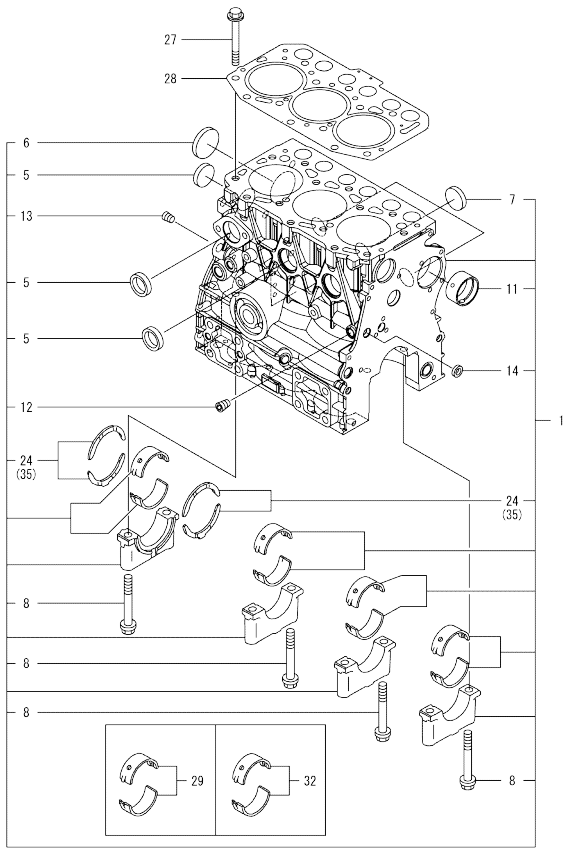
OCD50-M00840

Fig. No.	Fig. Name	Fig. No.	Fig. Name
ENGINE			
1.	CYLINDER BLOCK		
2.	GEAR HOUSING		
3.	FLYWHEEL HOUSING & OIL SUMP		
4.	CYLINDER HEAD & BONNET		
5.	EXHAUST MANIFOLD		
6.	CAMSHAFT & DRIVING GEAR		
7.	CRANKSHAFT & PISTON		
8.	LUB. OIL SYSTEM		
9.	COOLING WATER SYSTEM		
10.	FUEL INJECTION PUMP		
11.	GOVERNOR		
12.	FUEL INJECTION VALVE		
13.	FUEL FILTER		
14.	STARTER MOTOR		
15.	GENERATOR		

Fig.1. CYLINDER BLOCK

(A)=3TNV70-STYMB
(B)=
(C)=

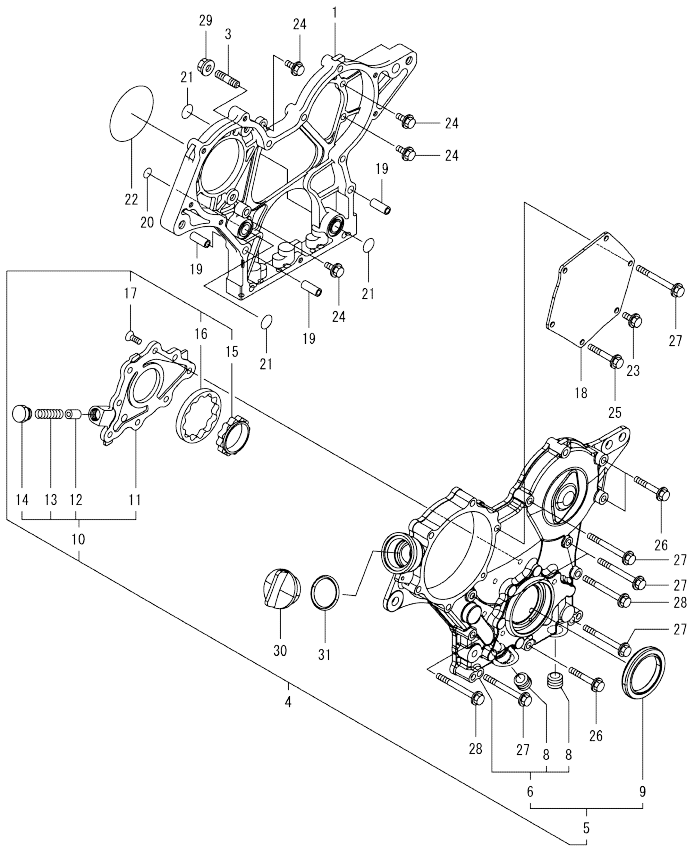
(D)=
(E)=
(F)=



No.	Lev.	Parts No.	Description	Q'ty						I	R
				(A)	(B)	(C)	(D)	(E)	(F)		
1	1	719515-01560	BLOCK ASSY, CYLINDER	1							
5	2	105311-01090	PLUG, 30	4							
6	2	119623-01250	PLUG, 45	1							
7	2	119285-01990	PLUG, 25	3							
8	2	119620-02020	BOLT, METAL CAP	8							
11	2	119717-02411	BUSH, CAMSHAFT	1							
12	2	124060-01050	PLUG, PT1/8	1							
13	2	124160-01910	PLUG, PT1/4	1							
14	2	27241-120000	PLUG, 12	1							
24	2	119717-02930	BEARING, THRUST	2							
27	1	119515-01200	BOLT, HEAD	14							
28	1	119515-01331	GASKET, HEAD	1							
29	1	719717-02901	BEARING, MAIN	4							1
32	1	719717-02911	BEARING, 0.25 US	4							2
35	1	119810-02941	BEARING, THRUST 0.25	2							3

Remarks
 (1)Spare parts.
 (2)Under-sized(U.S.=0.25) parts.
 (3)Over-sized(O.S.=0.25) parts.

Fig.2. GEAR HOUSING

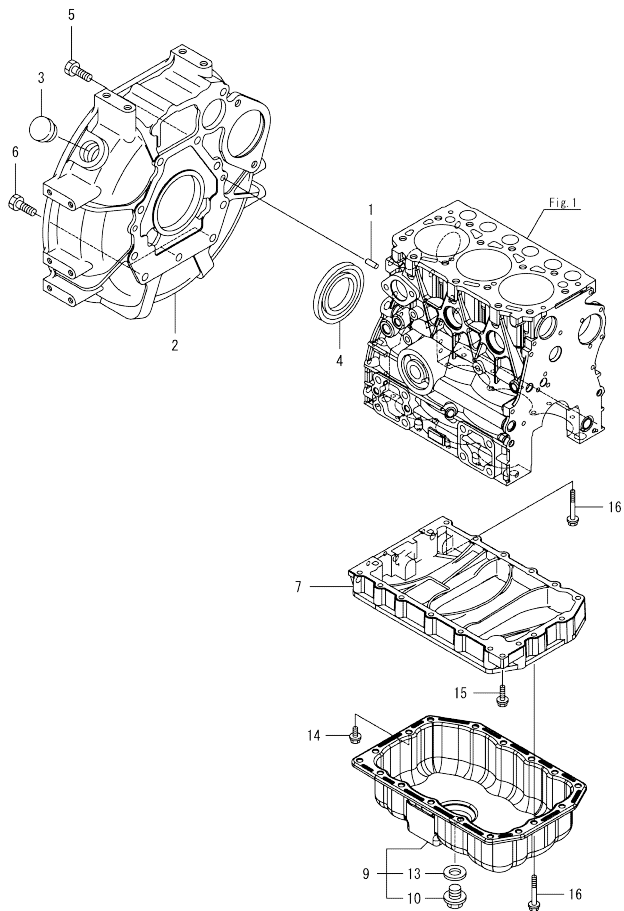


(A)=3TNV70-STYMB
(B)=
(C)=

(D)=
(E)=
(F)=

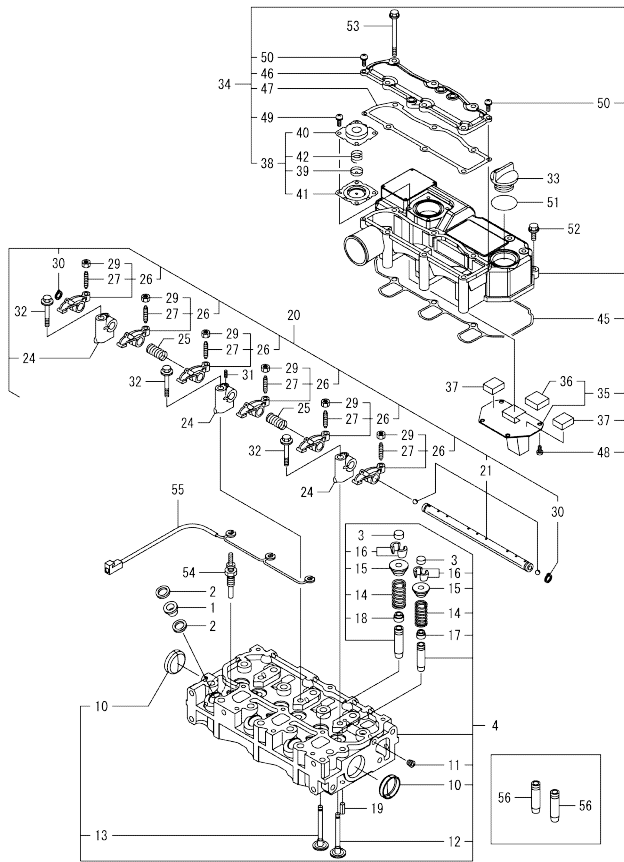
No.	Lev.	Parts No.	Description	Qty						I	R
				(A)	(B)	(C)	(D)	(E)	(F)		
1	1	119717-01501	CASE, GEAR	1							
3	1	119717-01570	STUD	3							
4	1	119734-01590	COVER ASSY,GEAR CASE	1							
5	2	719734-01500	COVER ASSY,GEAR CASE	1							
6	3	119717-01521	COVER, GEAR CASE	1							
8	4	23876-030000	PLUG, R03	2							
9	3	119717-01800	SEAL, OIL	1							
10	2	119717-32100	COVER ASSY	1							
11	3	119717-32080	COVER	1							
12	3	129900-32130	VALVE, RELIEF	1							
13	3	129001-32320	SPRING	1							
14	3	129001-32330	PLUG	1							
15	2	119717-32110	ROTOR, INNER	1							
16	2	119717-32120	ROTOR, OUTER	1							
17	2	119802-32130	SCREW, M6X16	8							
18	1	119717-01750	COVER	1							
19	1	119660-01911	PIPE, KNOCK	4							
20	1	119624-32040	O-RING, P12.0	1							
21	1	119717-32050	O-RING, P17.0	3							
22	1	121850-51960	O-RING	1							
23	1	26106-060122	BOLT, M6X 12 PLATED	1							
24	1	26106-060162	BOLT, M6X 16 PLATED	4							
25	1	26106-060402	BOLT, M6X 40 PLATED	4							
26	1	26106-060402	BOLT, M6X 40 PLATED	3							
27	1	26106-060602	BOLT, M6X 60 PLATED	7							
28	1	26106-060652	BOLT, M6X 65 PLATED	2							
29	1	26306-080002	NUT, M8	3							
30	1	124160-01751	COVER, FILLER	1							
31	1	24311-000320	O-RING, 1AP32.0	1							

Fig.3. FLYWHEEL HOUSING & OIL SUMP



No.	Lev.	Parts No.	Description	Q'ty						I	R
				(A)	(B)	(C)	(D)	(E)	(F)		
1	1	129100-01580	PIN, 8X16		2						
2	1	119515-01601	HOUSING, FLYWHEEL	1							
3	1	119620-01750	CAP	1							
4	1	124085-02220	SEAL, OIL	1							
5	1	26206-100252	BOLT, M10X 25 PLATED	7							
6	1	26206-100302	BOLT, M10X 30 PLATED	3							
7	1	119515-01720	SPACER, OIL SUMP	1							
9	1	119540-01770	SUMP ASSY, OIL	1							
10	2	105425-01690	PLUG, 16	1							
13	2	22190-160002	WASHER, SEAL 16	1							
14	1	26106-060122	BOLT, M6X 12 PLATED	1							
15	1	26106-060252	BOLT, M6X 25 PLATED	1							
16	1	26106-060452	BOLT, M6X 45 PLATED	17							

Fig.4. CYLINDER HEAD & BONNET



(A)=3TNV70-STYMB
(D)=
(E)=
(F)=

No.	Lev.	Parts No.	Description	Qty						I	R
				(A)	(B)	(C)	(D)	(E)	(F)		
1	1	129901-11450	PROTECTOR, NOZZLE	3							
2	1	119600-11460	GASKET, NOZZLE	6							
3	1	105010-11490	CAP, VALVE	6							
4	1	119515-11740	HEAD ASSY, CYLINDER	1							
10	2	119285-11990	PLUG, 35	2							
11	2	23876-005000	PLUG, R005	1							
12	2	119515-11101	VALVE, INTAKE	3							
13	2	119515-11110	VALVE, EXHAUST	3							
14	2	119717-11131	SPRING, VALVE	6							
15	2	129508-11180	RETAINER, SPRING	6							
16	2	119717-11190	COTTER	12							
17	2	119717-11340	SEAL, VALVE STEM	3							
18	2	119717-11350	SEAL, VALVE STEM	3							
19	1	22351-060012	PIN, SPRING 6.0X12	2							
20	1	119515-11200	SUPPORT ASSY, ARM	1							
21	2	119515-11240	SHAFT ASSY, ROCKER	1							
24	2	119717-11260	SUPPORT, ROCKER ARM	3							
25	2	119515-11280	SPRING	2							
26	2	119717-11650	ARM, ROCKER	6							
27	3	129150-11230	SCREW, VALVE ADJUST	6							
29	3	129150-11750	NUT, M8	6							
30	2	22242-000120	RING, 12	2							
31	2	26979-050162	SCREW, M5X16	1							
32	1	26106-080402	BOLT, M8X 40 PLATED	3							
33	1	124160-01751	COVER, FILLER	1							
34	1	119515-11380	BONNET ASSY, HEAD	1							
35	2	119717-03031	PLATE	1							
36	3	119717-03070	BAFFLE, BREATHER	1							
37	2	119717-03070	BAFFLE, BREATHER	2							
38	2	119802-03100	DIAPHRAGM ASSY	1							
39	3	119802-03110	PLATE	1							
40	3	119802-03121	COVER, DIAPHRAGM	1							
41	3	119802-03131	DIAPHRAGM	1							
42	3	119802-03141	SPRING, DIAPHRAGM	1							
45	2	119515-11310	GASKET, BONNET	1							
46	2	119515-11320	COVER, BONNET	1							
47	2	119515-11330	GASKET	1							
48	2	22857-500100	SCREW, 5X10	4							
49	2	22857-500100	SCREW, 5X10	4							
50	2	22857-500160	SCREW, 5X16	2							
51	1	24311-000320	O-RING, 1AP32.0	1							
52	1	26106-060202	BOLT, M6X 20 PLATED	3							
53	1	26106-060752	BOLT, M6X 75 PLATED	6							
54	1	119717-77801	PLUG, GLOW	3							
55	1	119717-77820	CONNECTOR, GLOW PLUG	1							
56	1	119515-11800	GUIDE, VALVE	6							1

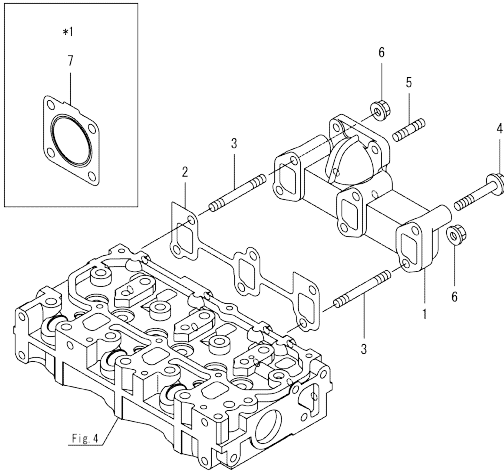
Remarks
(1)Spare parts.

Fig.5. EXHAUST MANIFOLD

(A)=3TNV70-STYMB
(B)=
(C)=

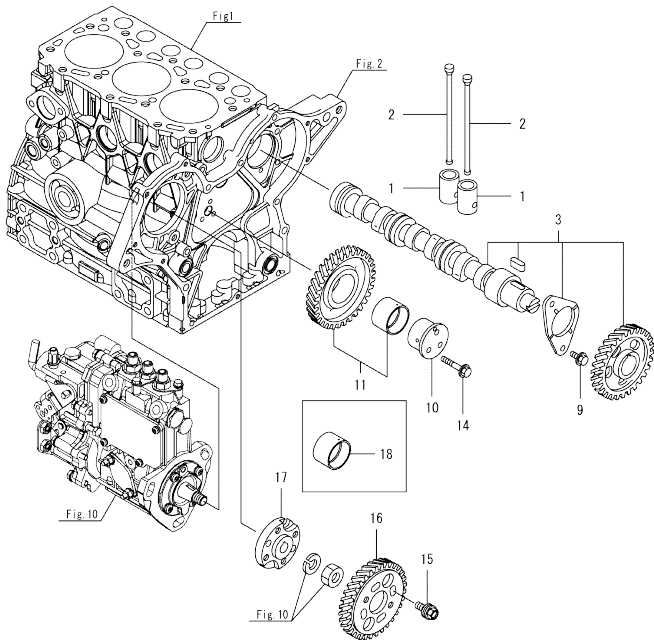
(D)=
(E)=
(F)=

No.	Lev.	Parts No.	Description	Q'ty					
				(A)	(B)	(C)	(D)	(E)	(F)
1	1	119718-13100	MANIFOLD, EXHAUST	1					
2	1	119717-13110	GASKET	1					
3	1	119717-13600	STUD, M8X50	2					
4	1	119802-13620	BOLT, M8X50	4					
5	1	119131-18320	STUD, M8X22	4					
6	1	26306-080002	NUT, M8	2					
7	1	119515-13200	GASKET, SILENCER	1					



Remarks
*1.Loose parts.

Fig.6. CAMSHAFT & DRIVING GEAR



(A)=3TNV70-STYMB
(B)=
(C)=

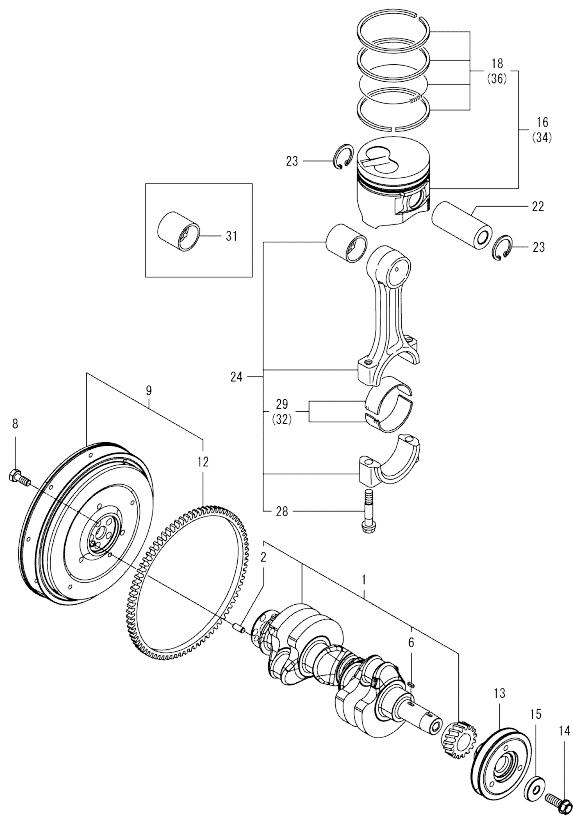
(D)=
(E)=
(F)=

No.	Lev.	Parts No.	Description	Q'ty						I	R
				(A)	(B)	(C)	(D)	(E)	(F)		
1	1	119620-14200	TAPPET	6							
2	1	119515-14400	ROD, PUSH	6							
3	1	119515-14581	CAMSHAFT ASSY	1							
9	1	26106-060122	BOLT, M6X 12 PLATED	2							
10	1	119717-25050	SHAFT, IDLE	1							
11	1	119717-25101	GEAR ASSY, IDLE	1							
14	1	26106-060352	BOLT, M6X 35 PLATED	3							
15	1	129150-25301	BOLT	4							
16	1	119717-25930	GEAR, PUMP	1							
17	1	119717-51150	FLANGE	1							
18	1	119717-25911	BUSH, IDLE GEAR	1							1

Remarks

(1)Spare parts.

Fig.7. CRANKSHAFT & PISTON



(A)=3TNV70-STYMB
(B)=
(C)=

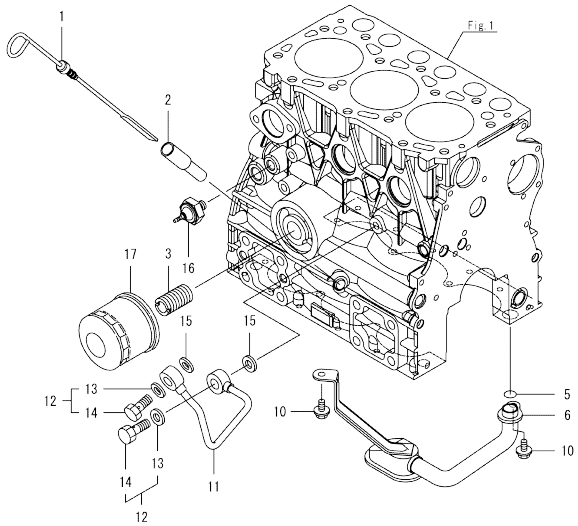
(D)=
(E)=
(F)=

No.	Lev.	Parts No.	Description	Q'ty						I	R
				(A)	(B)	(C)	(D)	(E)	(F)		
1	1	119515-21700	CRANKSHAFT ASSY	1							
2	2	129100-01580	PIN, 8X16	1							
6	2	22512-040120	KEY, 4X 12	1							
8	1	119620-21500	BOLT, FLYWHEEL	5							
9	1	119515-21580	FLYWHEEL ASSY	1							
12	2	124950-21600	GEAR, RING	1							
13	1	119717-21650	V-PULLEY	1							
14	1	119621-21681	BOLT, FLANGE 12X1.25	1							
15	1	119620-21941	WASHER	1							
16	1	119515-22080	PISTON ASSY	3							
18	2	119515-22500	RING SET, PISTON	3							
22	1	119515-22300	PIN, PISTON	3							
23	1	22252-000220	RING, 22	6							
24	1	119515-23000	ROD ASSY, CONNECTING	3							
28	2	119717-23200	BOLT, CONNECTING ROD	6							
29	2	119515-23601	BEARING, CRANK PIN	3							
31	1	119717-23910	BEARING, PISTON PIN	3							1
32	1	119515-23611	METAL ASSY, 0.25	3							2
34	1	119515-22900	PISTON ASSY, 0.25 OS	3							3
36	2	119515-22550	RING SET, 0.25 OS	3							3

Remarks

- (1) Spare parts.
- (2) Under-sized (U.S.=0.25) parts.
- (3) Over-sized (O.S.=0.25) parts.

Fig.8. LUB. OIL SYSTEM



(A)=3TNV70-STYMB
(B)=
(C)=

(D)=
(E)=
(F)=

No.	Lev.	Parts No.	Description	Q'ty						I	R
				(A)	(B)	(C)	(D)	(E)	(F)		
1	1	119515-34801	DIPSTICK, OIL	1							
2	1	121520-34810	GUIDE, DIPSTICK	1							
3	1	119717-35140	BOLT	1							
5	1	119717-32060	O-RING, P15.0	1							
6	1	119515-35080	PIPE ASSY, OIL INLET	1							
10	1	26106-060102	BOLT, M6X 10 PLATED	2							
11	1	119717-39210	PIPE, OIL	1							
12	1	129005-59830	BOLT ASSY, JOINT M8	2							
13	2	22190-080002	WASHER, SEAL 8	2							
14	2	23857-030000	BOLT, JOINT 3	2							
15	1	22190-080002	WASHER, SEAL 8	2							
16	1	114250-39450	SWITCH, 0.5KG	1							
17	1	119305-35151	FILTER ASSY, D68XL65	1							1

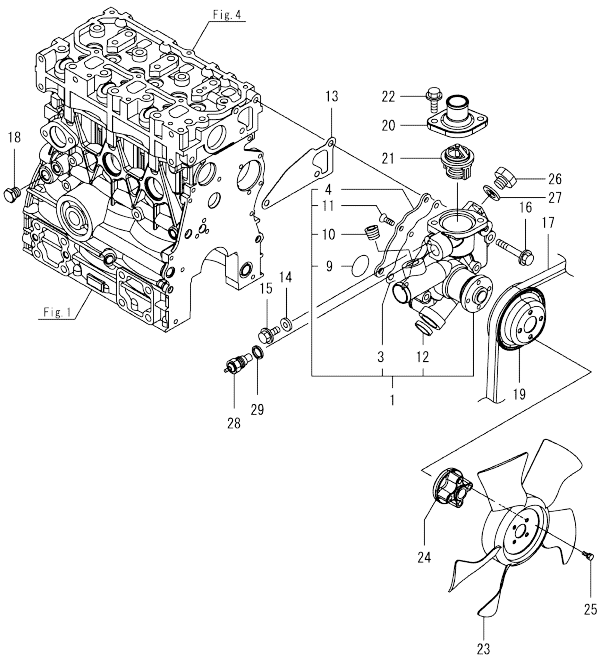
Remarks

(1)Spare parts.

Fig.9. COOLING WATER SYSTEM

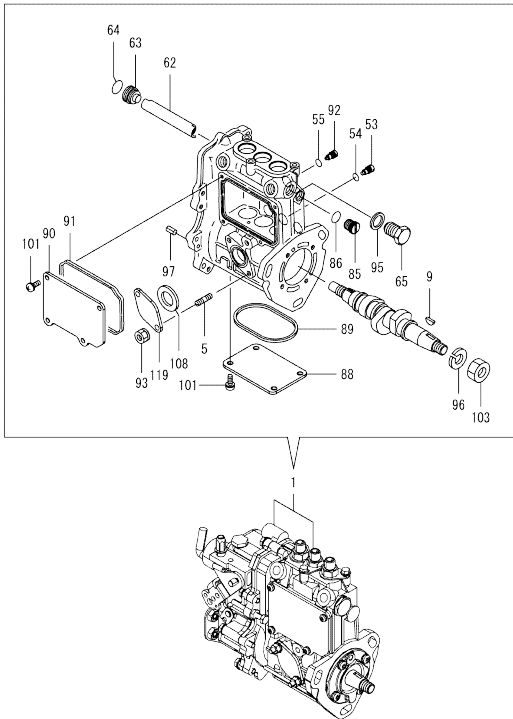
(A)=3TNV70-STYMB
(B)=
(C)=

(D)=
(E)=
(F)=



No.	Lev.	Parts No.	Description	Q'ty						I	R
				(A)	(B)	(C)	(D)	(E)	(F)		
1	1	119C10-42000	PUMP ASSY, WATER	1							
1-1	1	119C10-42001 (A=2019.01)	PUMP ASSY, CW	1							N
3	2	119717-42031	GASKET	1							
4	2	119515-42041	COVER	1							
9	2	119C10-42320	O-RING, 2028	1							
10	2	129916-49740	PLUG, R3/8	1							
11	2	26577-060122	SCREW, M6X12	4							
12	2	27241-250000	PLUG, 25	1							
12-1	2	119717-42050 (A=2019.01)	PLUG, 25	1							N
13	1	119515-42020	GASKET, WATER PUMP	1							
14	1	23414-080000	GASKET, 8X1.0	1							
15	1	26106-080122	BOLT, M8X 12 PLATED	1							
16	1	26106-080502	BOLT, M8X 50 PLATED	3							
17	1	171001-42290	V-BELT, A35.5	1							
18	1	171056-49120	PLUG, DRAIN R1/4	1							
19	1	119717-42350	V-PULLEY, D=100	1							
20	1	129350-49530	COVER, THERMOSTAT	1							
21	1	119717-49800	THERMOSTAT, 71C	1							
22	1	26106-080202	BOLT, M8X 20 PLATED	2							
23	1	119258-44740	FAN, COOLING D300	1							
24	1	129457-44760	SPACER, FAN	1							
25	1	26106-060402	BOLT, M6X 40 PLATED	4							
26	1	121450-42450	PLUG, M16	1							
27	1	124465-44950	GASKET, 16	1							
28	1	124250-49351	SENSOR, WATER TEMP.	1							
29	1	129150-49360	GASKET	1							

Fig.10. FUEL INJECTION PUMP



(A)=3TNV70-STYMB
(B)=
(C)=

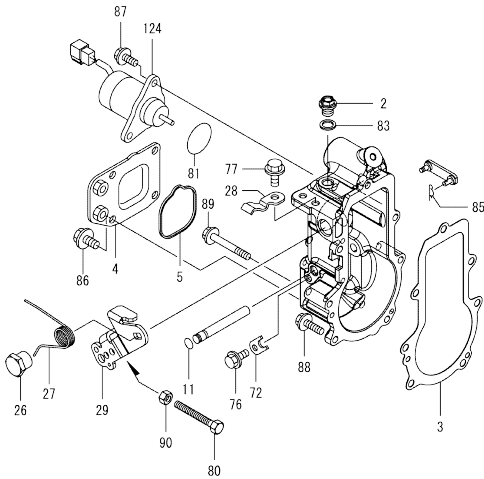
(D)=
(E)=
(F)=

No.	Lev.	Parts No.	Description	Q'ty						I	R
				(A)	(B)	(C)	(D)	(E)	(F)		
1	1	719540-51510	FIE ASSY	1							1
5	2	129155-51020	STUD	2							
9	2	122710-51090	KEY	1							
53	2	158600-51270	STOPPER, TAPPET	3							
54	2	129155-51280	O-RING, S6	3							
55	2	129155-51280	O-RING, S6	1							
62	2	129155-51400	DEFLECTOR	1							
63	2	158600-51410	PLUG, DEFLECTOR	1							
64	2	119717-51420	O-RING	1							
65	2	158600-51420	PLUG, DEFLECTOR	1							
85	2	158600-51570	PLUG	1							
86	2	129155-51580	O-RING	1							
88	2	129155-51701	COVER	1							
89	2	119717-51711	GASKET	1							
90	2	119717-51750	COVER	1							
91	2	119717-51761	GASKET	1							
92	2	158600-51790	STOOPER, RACK	1							
93	2	119717-51860	NUT, M6	2							
95	2	22190-160002	WASHER, SEAL 16	1							
96	2	22217-120000	WASHER, SPRING 12	1							
97	2	22351-050010	PIN, SPRING 5.0X10	2							
101	2	26022-050122	SCREW, M5X12	8							
103	2	26716-120002	NUT, M12	1							
108	2	129155-52051	GASKET	1							
119	2	129100-52200	COVER	1							

Remarks

(1)Governor(Fig.11) is incorporated in this Fuel Injection Pump(No.1).

Fig.11. GOVERNOR



(A)=3TNV70-STYMB
(B)=
(C)=

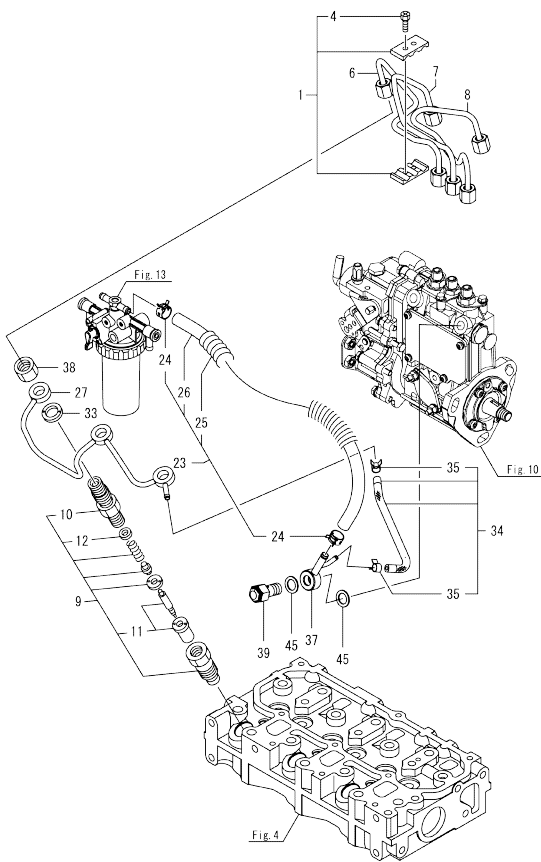
(D)=
(E)=
(F)=

No.	Lev.	Parts No.	Description	Q'ty					
				(A)	(B)	(C)	(D)	(E)	(F)
2	2	119717-51930	PLUG,M10	1					
3	2	119717-61050	GASKET	1					
4	2	119761-61060	COVER, GOVERNOR CASE	1					
5	2	119717-61070	GASKET	1					
11	2	129155-51280	O-RING, S6	1					
26	2	129255-61410	NUT, LOCK	1					
27	2	119534-61420	SPRING	1					
28	2	119534-61430	RETAINER	1					
29	2	119515-61440	LEVER, CONTROL	1					
72	2	119660-61901	RETAINER, SHAFT	1					
76	2	26106-060102	BOLT, M6X 10 PLATED	1					
77	2	26106-060102	BOLT, M6X 10 PLATED	1					
80	2	129155-61460	BOLT, IDLE	1					
81	2	158552-61900	O-RING	1					
83	2	22190-100002	WASHER, SEAL 10	1					
85	2	22372-040000	PIN, SNAP 4	1					
86	2	26106-060102	BOLT, M6X 10 PLATED	4					
87	2	26106-060142	BOLT, M6X 14 PLATED	2					
88	2	26106-060202	BOLT, M6X 20 PLATED	4					
89	2	26106-060452	BOLT, M6X 45 PLATED	3					
90	2	26756-060002	NUT, LOCK M6	1					
124	2	119233-77932	SOLENOID, STOP	1					

Remarks

* This figure(Governor) is incorporated in the Fuel Injection Pump(Fig.10).

Fig.12. FUEL INJECTION VALVE



(A)=3TNV70-STYMB
(B)=
(C)=

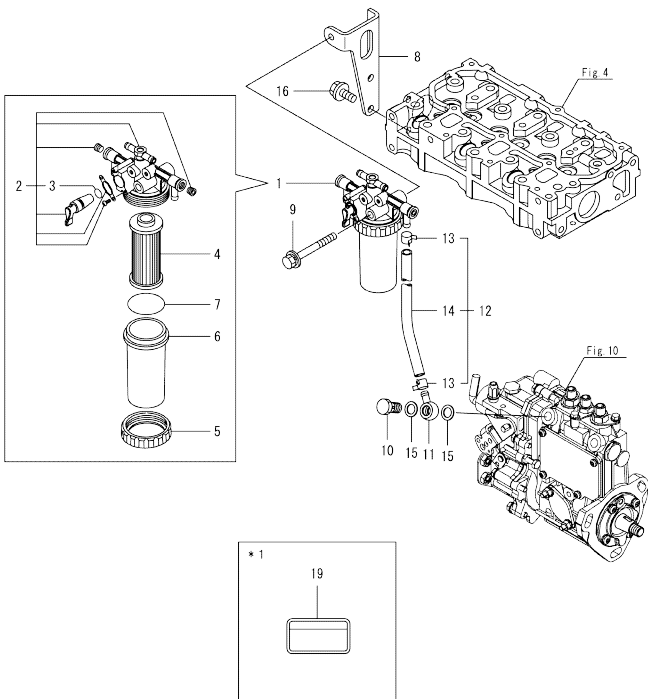
(D)=
(E)=
(F)=

No.	Lev.	Parts No.	Description	Q'ty						I	R
				(A)	(B)	(C)	(D)	(E)	(F)		
1	1	129150-59120	RETAINER, PIPE	1							
4	2	129150-59131	BOLT, M4X14	2							
6	1	119546-59810	PIPE ASSY, INJECTION	1							
7	1	119546-59820	PIPE ASSY, INJECTION	1							
8	1	119546-59830	PIPE ASSY, INJECTION	1							
9	1	119517-53001	VALVE ASSY, INJECTION	3							
10	2	118200-53010	HOLDER, NOZZLE	3							
11	2	119517-53010	NOZZLE ASSY	3							
12	2	129901-53800	SHIM SET, ADJUSTING	3							1
23	1	129950-59211	PIPE, FUEL	1							
24	2	124766-59050	CLIP, HOSE 11.5	2							
25	2	129950-59221	TUBE, CORRUGATED	1							
26	2	105025-59530	PIPE, FUEL D13X400	1							
27	1	119515-59540	PIPE ASSY, RETURN	1							
33	1	129901-59560	GASKET	3							
34	1	119540-59570	PIPE ASSY, RETURN	1							
35	2	124066-59100	CLIP, HOSE 8	2							
37	1	119540-59570	PIPE ASSY, RETURN	1							
38	1	119620-59700	NUT, NOZZLE	3							
39	1	119813-59950	VALVE ASSY, CHECK	1							
45	1	22190-120002	WASHER, SEAL 12	2							

Remarks

(1) Spare parts.

Fig.13. FUEL FILTER



(A)=3TNV70-STYMB
(B)=
(C)=

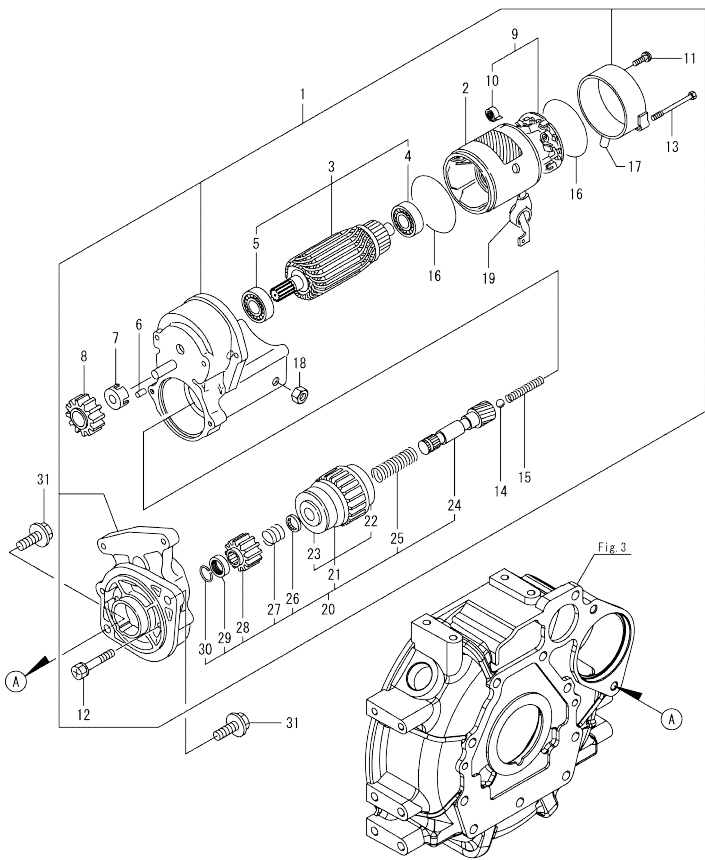
(D)=
(E)=
(F)=

No.	Lev.	Parts No.	Description	Q'ty					
				(A)	(B)	(C)	(D)	(E)	(F)
1	1	119833-55630	FILTER ASSY, FUEL	1					
2	2	119833-55640	BODY ASSY, FILTER	1					
3	3	24311-000110	O-RING, 1AP11.0	1					
4	2	119833-55650	ELEMENT, FUEL	1					
5	2	119833-55660	RING, RETAINING	1					
6	2	119833-55670	BOWL, STRAINER	1					
7	2	24311-000440	O-RING, 1AP44.0	1					
8	1	119717-55650	BRACKET, FILTER	1					
9	1	26014-080702	BOLT, M8X 70	1					
10	1	103854-39140	BOLT, PIPE JOINT	1					
11	1	101304-59020	JOINT, PIPE 12	1					
12	1	129210-59080	PIPE ASSY, FUEL	1					
13	2	124766-59050	CLIP, HOSE 11.5	2					
14	2	129136-59110	PIPE, D13/7.5X270	1					
15	1	22190-120002	WASHER, SEAL 12	2					
16	1	26106-080162	BOLT, M8X 16 PLATED	2					
19	1	114110-07761	LABEL, FUEL OIL CAUT	1					

Remarks

*1.Loose parts.

Fig.14. STARTER MOTOR

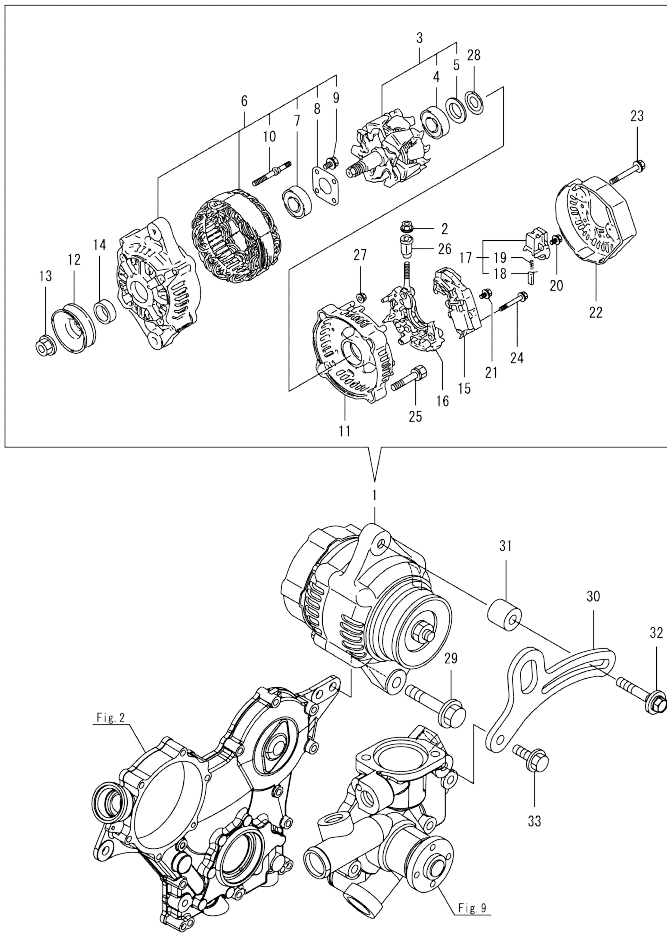


(A)=3TNV70-STYMB
(B)=
(C)=

(D)=
(E)=
(F)=

No.	Lev.	Parts No.	Description	Q'ty						I	R
				(A)	(B)	(C)	(D)	(E)	(F)		
1	1	119540-77010	STARTER, RA1.4	1							
2	2	129407-77210	YOKE ASSY	1							
3	2	129407-77220	ARMATURE ASSY	1							
4	3	129129-77230	BEARING, BALL	1							
5	3	129129-77240	BEARING, BALL	1							
6	2	X0283060061	ROLLER	5							
7	2	129129-77260	RETAINER	1							
8	2	129129-77270	PINION	1							
9	2	129407-77300	HOLDER ASSY	1							
10	3	X9491730461	SPRING	4							
11	2	129129-77460	SCREW	2							
12	2	129129-77320	BOLT	2							
13	2	129407-77330	BOLT	2							
14	2	X9491200240	BALL	1							
15	2	129129-77340	SPRING	1							
16	2	129129-77350	O-RING	2							
17	2	129129-77362	COVER	1							
18	2	X9490561370	NUT	1							
19	2	129129-77380	CAP	1							
20	2	X1280996600	STARTER KIT	1							
21	3	129129-77390	CLUTCH ASSY	1							
22	4	129129-77440	BEARING, BALL	1							
23	4	129129-77450	BEARING, BALL	1							
24	3	129129-77400	SHAFT	1							
25	3	129129-77410	SPRING, COIL	1							
26	3	X0283270140	RETAINER	1							
27	3	129407-77410	SPRING	1							
28	3	X0283712350	PINION, STARTER	1							
29	3	X0280210230	NUT	1							
30	3	129129-77430	RING	1							
31	1	26106-100252	BOLT, M10X 25 PLATED	2							

Fig.15. GENERATOR



(A)=3TNV70-STYMB
(B)=
(C)=

(D)=
(E)=
(F)=

No.	Lev.	Parts No.	Description	Q'ty						I	R
				(A)	(B)	(C)	(D)	(E)	(F)		
1	1	129423-77200	GENERATOR, 12V-40A	1							
2	2	X9490561001	NUT	1							
3	2	119620-77380	ROTOR ASSY	1							
4	3	123501-79240	BEARING, BALL	1							
5	3	119620-79250	COVER	1							
6	2	119620-77421	FRAME ASSY, DRIVE	1							
7	3	119620-79200	BEARING, BALL	1							
8	3	119620-79210	PLATE, RETAINER	1							
9	3	119620-79220	SCREW	4							
10	3	119620-79230	STUD	2							
11	2	119620-77440	FRAME ASSY	1							
12	2	119620-77461	PULLEY	1							
13	2	119620-77471	NUT	1							
14	2	119620-77490	COLLAR	1							
15	2	129423-77710	REGULATOR ASSY	1							
16	2	119620-79260	HOLDER	1							
17	2	129052-79270	HOLDER, BRUSH	1							
18	3	119620-77480	BRUSH ASSY	2							
19	3	119620-79280	SPRING	2							
20	2	119620-79290	SCREW	6							
21	2	119620-79300	SCREW	1							
22	2	129240-79300	COVER	1							
23	2	119620-79310	BOLT	3							
24	2	119620-79320	SCREW	2							
25	2	119620-79330	BOLT	2							
26	2	119620-79340	BUSH, INSULATION	1							
27	2	119620-79350	NUT	2							
28	2	119620-79360	WASHER, THRUST	1							
29	1	26106-100452	BOLT, M10X 45 PLATED	1							
30	1	119230-77330	ADJUSTER	1							
31	1	124732-77340	SPACER	1							
32	1	129972-77341	BOLT, ADJUSTER L=50	1							
33	1	26106-080202	BOLT, M8X 20 PLATED	1							

Parts No. Index

Parts No.	Fig. No.	Ref. No.	Parts No.	Fig. No.	Ref. No.	Parts No.	Fig. No.	Ref. No.	Parts No.	Fig. No.	Ref. No.
101304-59020	13	11	119517-53001	12	9	119717-02411	1	11	119802-03131	4	41
103854-39140	13	10	119517-53010	12	11	119717-02930	1	24	119802-03141	4	42
105010-11490	4	3	119534-61420	11	27	119717-03031	4	35	119802-13620	5	4
105025-59530	12	26	119534-61430	11	28	119717-03070	4	36	119802-32130	2	17
105311-01090	1	5	119540-01770	3	9			37	119810-02941	1	35
105425-01690	3	10	119540-59570	12	34			14	119813-59950	12	39
114110-07761	13	19			37	119717-11131	4	16	119833-55630	13	1
114250-39450	8	16	119540-77010	14	1	119717-11190	4	16	119833-55640	13	2
118200-53010	12	10	119546-59810	12	6	119717-11260	4	24	119833-55650	13	4
119131-18320	5	5	119546-59820	12	7	119717-11340	4	17	119833-55660	13	5
119230-77330	15	30	119546-59830	12	8	119717-11350	4	18	119833-55670	13	6
119233-77932	11	124	119600-11460	4	2	119717-11650	4	26	119C10-42000	9	1
119258-44740	9	23	119620-01750	3	3	119717-13110	5	2	119C10-42001	9	1 -1
119285-01990	1	7	119620-02020	1	8	119717-13600	5	3	119C10-42320	9	9
119285-11990	4	10	119620-14200	6	1	119717-21650	7	13	121450-42450	9	26
119305-35151	8	17	119620-21500	7	8	119717-23200	7	28	121520-34810	8	2
119515-01200	1	27	119620-21941	7	15	119717-23910	7	31	121850-51960	2	22
119515-01331	1	28	119620-59700	12	38	119717-25050	6	10	122085-02220	10	9
119515-01601	3	2	119620-77380	15	3	119717-25101	6	11	122710-51090	15	4
119515-01720	3	7	119620-77421	15	6	119717-25911	6	18	123501-79240	1	12
119515-11101	4	12	119620-77440	15	11	119717-25930	6	16	124060-01050	12	35
119515-11110	4	13	119620-77461	15	12	119717-32050	2	21	124066-59100	3	4
119515-11200	4	20	119620-77471	15	13	119717-32060	8	5	124085-02220	2	30
119515-11240	4	21	119620-77480	15	18	119717-32080	2	11	124160-01751	4	33
119515-11280	4	25	119620-77490	15	14	119717-32100	2	10			
119515-11310	4	45	119620-79200	15	7	119717-32110	2	15	124160-01910	1	13
119515-11320	4	46	119620-79210	15	8	119717-32120	2	16	124250-49351	9	28
119515-11330	4	47	119620-79220	15	9	119717-35140	8	3	124465-44950	9	27
119515-11380	4	34	119620-79230	15	10	119717-39210	8	11	124732-77340	15	31
119515-11740	4	4	119620-79230	15	10	119717-42031	9	3	124766-59050	12	24
119515-11800	4	56	119620-79250	15	5	119717-42050	9	12 -1			
119515-13200	5	7	119620-79260	15	16	119717-42350	9	19	124950-21600	7	12
119515-14400	6	2	119620-79280	15	19	119717-49800	9	21	129001-32320	2	13
119515-14581	6	3	119620-79290	15	20	119717-51150	6	17	129001-32330	2	14
119515-21580	7	9	119620-79300	15	21	119717-51420	10	64	129005-59830	8	12
119515-21700	7	1	119620-79310	15	23	119717-51711	10	89	129052-79270	15	17
119515-22080	7	16	119620-79320	15	24	119717-51750	10	90	129100-01580	3	1
119515-22300	7	22	119620-79330	15	25	119717-51761	10	91			
119515-22500	7	18	119620-79340	15	26	119717-51860	10	93	129100-52200	10	119
119515-22550	7	36	119620-79350	15	27	119717-51930	11	2	129129-77230	14	4
119515-22900	7	34	119620-79360	15	28	119717-55650	13	8	129129-77240	14	5
119515-23000	7	24	119621-21681	7	14	119717-61050	11	3	129129-77260	14	7
119515-23601	7	29	119623-01250	1	6	119717-61070	11	5	129129-77270	14	8
119515-23611	7	32	119624-32040	2	20	119717-77801	4	54	129129-77320	14	12
119515-34801	8	1	119660-01911	2	19	119717-77820	4	55	129129-77340	14	15
119515-35080	8	6	119660-61901	11	72	119718-13100	5	1	129129-77350	14	16
119515-42020	9	13	119717-01501	2	1	119734-01590	2	4	129129-77362	14	17
119515-42041	9	4	119717-01521	2	6	119761-61060	11	4	129129-77380	14	19
119515-59540	12	27	119717-01570	2	3	119802-03100	4	38	129129-77390	14	21
119515-61440	11	29	119717-01750	2	18	119802-03110	4	39	129129-77400	14	24
			119717-01800	2	9	119802-03121	4	40	129129-77410	14	25

Parts No. Index

Parts No.	Fig. No.	Ref. No.
129129-77430	14	30
129129-77440	14	22
129129-77450	14	23
129129-77460	14	11
129136-59110	13	14
129150-11230	4	27
129150-11750	4	29
129150-25301	6	15
129150-49360	9	29
129150-59120	12	1
129150-59131	12	4
129155-51020	10	5
129155-51280	10	54
		55
	11	11
129155-51400	10	62
129155-51580	10	86
129155-51701	10	88
129155-52051	10	108
129155-61460	11	80
129210-59080	13	12
129240-79300	15	22
129255-61410	11	26
129350-49530	9	20
129407-77210	14	2
129407-77220	14	3
129407-77300	14	9
129407-77330	14	13
129407-77410	14	27
129423-77200	15	1
129423-77710	15	15
129457-44760	9	24
129508-11180	4	15
129900-32130	2	12
129901-11450	4	1
129901-53800	12	12
129901-59560	12	33
129916-49740	9	10
129950-59211	12	23
129950-59221	12	25
129972-77341	15	32
158552-61900	11	81
158600-51270	10	53
158600-51410	10	63
158600-51420	10	65
158600-51570	10	85
158600-51790	10	92
171001-42290	9	17
171056-49120	9	18
22190-080002	8	13

Parts No.	Fig. No.	Ref. No.
22190-080002	8	15
22190-100002	11	83
22190-120002	12	45
	13	15
22190-160002	3	13
	10	95
22217-120000	10	96
22242-000120	4	30
22252-000220	7	23
22351-050010	10	97
22351-060012	4	19
22372-040000	11	85
22512-040120	7	6
22857-500100	4	48
		49
22857-500160	4	50
23414-080000	9	14
23857-030000	8	14
23876-005000	4	11
23876-030000	2	8
24311-000110	13	3
24311-000320	2	31
	4	51
24311-000440	13	7
26014-080702	13	9
26022-050122	10	101
26106-060102	8	10
	11	76
		77
		86
26106-060122	2	23
	3	14
	6	9
26106-060142	11	87
26106-060162	2	24
26106-060202	4	52
	11	88
26106-060252	3	15
26106-060352	6	14
26106-060402	2	25
		26
		9
26106-060452	3	16
	11	89
26106-060602	2	27
26106-060652	2	28
26106-060752	4	53
26106-080122	9	15
26106-080162	13	16
26106-080202	9	22

Parts No.	Fig. No.	Ref. No.
26106-080202	15	33
26106-080402	4	32
26106-080502	9	16
26106-100252	14	31
26106-100452	15	29
26206-100252	3	5
26206-100302	3	6
26306-080002	2	29
	5	6
26577-060122	9	11
26716-120002	10	103
26756-060002	11	90
26979-050162	4	31
27241-120000	1	14
27241-250000	9	12
719515-01560	1	1
719540-51510	10	1
719717-02901	1	29
719717-02911	1	32
719734-01500	2	5
X0280210230	14	29
X0283060061	14	6
X0283270140	14	26
X0283712350	14	28
X1280996600	14	20
X9490561001	15	2
X9490561370	14	18
X9491200240	14	14
X9491730461	14	10

Parts No.	Fig. No.	Ref. No.
-----------	----------	----------