

0CB10-M51900EN

## Directions for the Parts Catalog.

1. This Parts Catalog shows both standard and optional parts.
2. Parts may change without prior notice.
3. The following is an example of the Parts Catalog format.

REF.	LEV.	PARTS NO.	DESCRIPTION	Q'TY						I	R
				(A)	(B)	(C)	(D)	(E)	(F)		
1	1	729595-51390	FUEL INJECTION PUMP	1	1	1	1	1			1
1-1	1	729595-51391	FUEL INJECTION PUMP	1	1	1	1	1		N	1
		(A=E00185) (B=E00200)									
3	2	26022-060162	SCREW M 6X 16	9	9	9	9	9			
3-1	2	26022-060162	SCREW M 6X 16	4	4	4	4	4		K	
		(A=E00156) (B=E00156) (C=E00156) (D=E00156) (E=E00156)									
4	2	129470-51040	CAMSHAFT	1	1	1	1	1			
5	2	122710-51050	BEARING, ROLLER	2	2	2	2	2			
6	2	129470-51060	RETAINER	1	1	1	1	1			

Remarks
(1) BOOST COMPEMSATOR TYPE. OPTIONAL PART, TO E00155,(4JH-DT, 4JH-DTZ

### ① Ref. No.

The Ref. No. listed may not be in accordance with the illustration Ref. No.

(Ex.) Illustration No.

List Ref No.

1 1 (Before change) → 1-1 (After change)

For interchangeable symbols N, R and K, illustrations for new parts may be abbreviated.

### ② Lev. (Level)

Level indication

The numbers below indicate the level of relativity towards the main part.

1 ---- Main parts (Assembly parts)

2 ---- Sub component included in " 1 ".

3 ---- Sub component included in " 2 ".

Note) Parts that are not for sale are partially illustrated but not listed.

### ③ Interchangeability Symbol

When a part change takes place, one of the following interchangeability symbols is indicated beside the part.

Symbol	Interchangeability	Contents note
N	Old $\begin{matrix} \leftarrow \text{Yes} \\ \text{No} \rightarrow \end{matrix}$ New	New Part is interchangeable for Old Part but Old Part is not interchangeable for New Part.
Q	Old $\begin{matrix} \leftarrow \text{No} \\ \text{Yes} \rightarrow \end{matrix}$ New	New Part is not interchangeable for Old Part but Old Part is interchangeable for New Part.
R	Old $\begin{matrix} \leftarrow \text{Yes} \\ \text{Yes} \rightarrow \end{matrix}$ New	New/ Old Parts are both interchangeable.
S	Old $\begin{matrix} \leftarrow \text{No} \\ \text{No} \rightarrow \end{matrix}$ New	New/ Old Parts are both not interchangeable.
W		Part newly added.
Z		Part discontinued.
F		Not interchangeable by a single part but interchangeable together with related parts.
K		Changes only for used parts quantities.

### ④ Effective Machine No.

When a part changes, the effective Machine No. will be indicated in the (A)-(F) column.

Product Symbol	Product No.	Product Symbol	Product No.
C	Clutch No. Compressor No.	F	Machine No. (Agricultural Equip.)
D	Drive No.	M	Machine No.
E	Engine No.		

Note 1) A date may follow the symbol. (Ex.) 1996.01

Note 2) "XXXXX" and "ZZZZZ" are for parts that could not be predicted or for engine models that could not be identified.

Note 3) (A=E00185) is the E (Engine Serial Number) for the column (A) model (in this case 4JH-DT) after the parts design change.

### ⑤ Remarks

Figures or alphabets (symbols) are entered in the remarks column.

The comments (remarks) on parts that are indicated at the bottom of the illustration are the same symbols as those stated above.

## Contents

OCB10-M51900

Fig. No.	Fig. Name	Fig. No.	Fig. Name
ENGINE SECTION(3TNE84,88-AGD)		23.	CYLINDER HEAD & BONNET
1.	CYLINDER BLOCK	24.	SUCTION MANIFOLD
2.	GEAR HOUSING	25.	EXHAUST MANIFOLD
3.	FLYWHEEL HOUSING & OIL SUMP	26.	CAMSHAFT & DRIVING GEAR
4.	CYLINDER HEAD & BONNET	27.	CRANKSHAFT & PISTON
5.	SUCTION MANIFOLD	28.	LUB.OIL SYSTEM
6.	EXHAUST MANIFOLD	29.	COOLING WATER SYSTEM
7.	CAMSHAFT & DRIVING GEAR	30.	FUEL INJECTION PUMP
8.	CRANKSHAFT & PISTON	31.	GOVERNOR
9.	LUB.OIL SYSTEM	32.	FUEL INJECTION VALVE
10.	COOLING WATER SYSTEM	33.	FUEL LINE
11.	FUEL INJECTION PUMP	34.	STARTING MOTOR
12.	GOVERNOR	35.	GENERATOR
13.	FUEL INJECTION VALVE	36.	PULSER
14.	FUEL LINE	37.	ELECTRIC PARTS
15.	STARTING MOTOR	38.	GASKET SET(OPTIONAL) & TOOL
16.	GENERATOR	ENGINE SECTION(4TNE84T-AGD)	
17.	PULSER	39.	CYLINDER BLOCK
18.	ELECTRIC PARTS	40.	GEAR HOUSING
19.	GASKET SET(OPTIONAL) & TOOL	41.	FLYWHEEL HOUSING & OIL SUMP
ENGINE SECTION(4TNE88-AGD)		42.	CYLINDER HEAD & BONNET
20.	CYLINDER BLOCK	43.	SUCTION MANIFOLD
21.	GEAR HOUSING	44.	EXHAUST MANIFOLD
22.	FLYWHEEL HOUSING & OIL SUMP	45.	CAMSHAFT & DRIVING GEAR

## Contents

OCB10-M51900

Fig. No.	Fig. Name	Fig. No.	Fig. Name
46.	TURBOCHARGER		
47.	CRANKSHAFT & PISTON		
48.	LUB.OIL SYSTEM		
49.	LUB.OIL LINE		
50.	COOLING WATER SYSTEM		
51.	FUEL INJECTION PUMP		
52.	GOVERNOR		
53.	FUEL INJECTION VALVE		
54.	FUEL LINE		
55.	STARTING MOTOR		
56.	GENERATOR		
57.	PULSER		
58.	ELECTRIC PARTS		
59.	GASKET SET(OPTIONA) & TOOL		

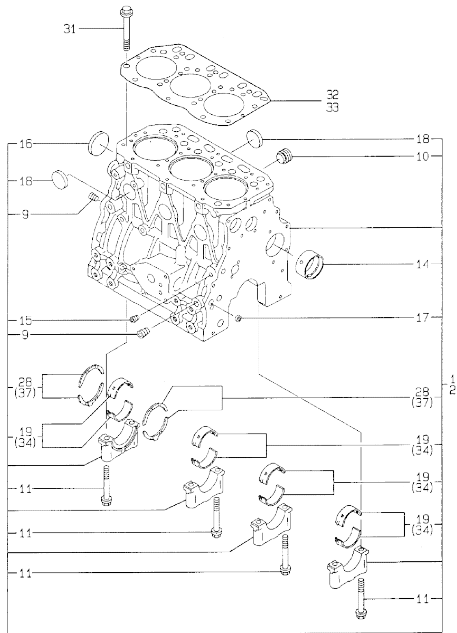
Fig.1. CYLINDER BLOCK

(A)=3TNE84-AGD  
(B)=3TNE88-AGD  
(C)=4TNE88-AGD

(D)=4TNE84T-AGD  
(E)=  
(F)=

Y0085190  
3.47NE84,88 (1)-AGD

1 シリンダブロック  
1 CYLINDER BLOCK



No.	Lev.	Parts No.	Description	Q'ty						I	R
				(A)	(B)	(C)	(D)	(E)	(F)		
1	1	729002-01560	BLOCK ASSY, CYLINDER	1							
2	1	729001-01560	BLOCK ASSY, CYLINDER		1						
9	2	124160-01910	PLUG, PT1/4	3	3						
10	2	171051-01921	PLUG, NPTF1	1	1						
11	2	129150-02020	BOLT, METAL CAP	8	8						
14	2	129795-02411	BUSH, CAMSHAFT	1	1						
15	2	23871-010000	PLUG, R01	1	1						
16	2	27231-500000	PLUG 50	1	1						
17	2	27241-120000	PLUG, 12	2	2						
18	2	27241-300000	PLUG 30	6	6						
19	2	129001-02800	BEARING, MAIN	4	4						
28	2	129150-02930	BEARING, THRUST	2	2						
31	1	129150-01200	BOLT, HEAD	14	14						
32	1	129002-01331	GASKET, HEAD	1							G
33	1	129001-01340	GASKET, HEAD		1						G
34	1	129150-02870	BEARING, 0.25 US	4	4						1
37	1	129150-02940	BEARING, THRUST 0.25	2	2						2

Remarks

- (1) UNDER-SIZE(U.S=0.25)PART.
  - (2) OVER-SIZE(O.S=0.25)PART.
  - (G) THESE PARTS ARE SOLD BY FIG.19.
- REF.NO.1,2.

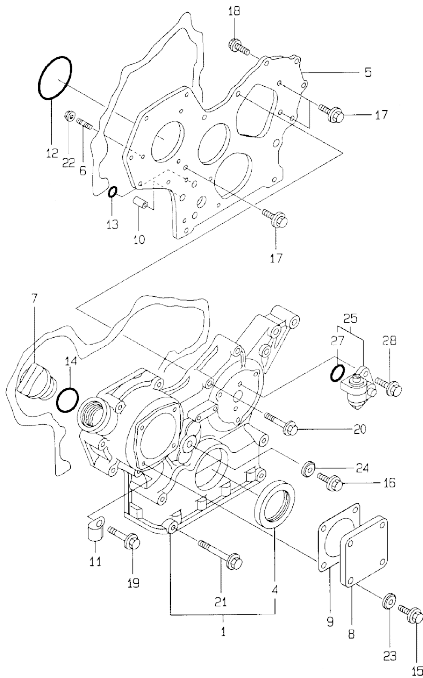
Fig.2. GEAR HOUSING

(A)=3TNE84-AGD  
(B)=3TNE88-AGD  
(C)=4TNE88-AGD

(D)=4TNE84T-AGD  
(E)=  
(F)=

Y00H5190  
3, 4TNE84, 88 (17) -AGD

2 ギヤケース  
GEAR HOUSING

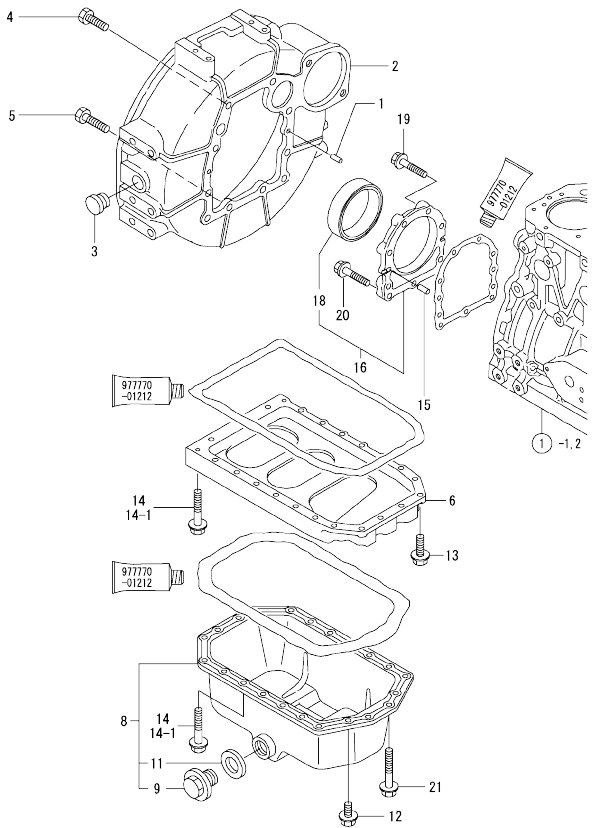


No.	Lev.	Parts No.	Description	Q'ty						I	R
				(A)	(B)	(C)	(D)	(E)	(F)		
1	1	719810-01500	CASE ASSY, GEAR	1	1						
4	2	129795-01800	SEAL, OIL	1	1						
5	1	129400-01520	FLANGE, GEAR CASE	1	1						
6	1	121450-01560	STUD, M8X22	3	3						
7	1	124160-01751	COVER, FILLER	1	1						
8	1	124240-01871	COVER	1	1						
9	1	124240-01883	GASKET	1	1						G
10	1	129795-01950	PIPE, KNOCK L=18	2	2						
11	1	129150-03100	RETAINER, PIPE	1	1						
12	1	121850-51960	O-RING	1	1						G
13	1	24311-000160	O-RING, 1AP16.0	2	2						G
14	1	24311-000320	O-RING, 1AP32.0	1	1						G
15	1	26106-080122	BOLT, M8X 12 PLATED	4	4						
16	1	26106-080162	BOLT, M8X 16 PLATED	1	1						
17	1	26106-080162	BOLT, M8X 16 PLATED	3	3						
18	1	26106-080202	BOLT, M8X 20 PLATED	2	2						
19	1	26106-080452	BOLT, M8X 45 PLATED	6	6						
20	1	26106-080552	BOLT, M8X 55 PLATED	3	3						
21	1	26106-080852	BOLT, M8X 85 PLATED	4	4						
22	1	26366-080002	NUT, M8	3	3						
23	1	22190-080002	WASHER, SEAL 6	4	4						G
24	1	22190-080002	WASHER, SEAL 6	1	1						G
25	1	129150-91400	GEAR	1	1						
27	2	24341-000240	O-RING, 1AS24.0	1	1						G
28	1	26106-060162	BOLT, M6X 16 PLATED	2	2						

Remarks  
(G) THESE PARTS ARE SOLD BY FIG.19,  
REF.NO.1.2.

N:Old  $\frac{100}{100}$  New, Q:Old  $\frac{100}{100}$  New, R:Old  $\frac{100}{100}$  New, S:Old  $\frac{100}{100}$  New, W:Add, Z:Discontinued, F:Interchangeable by set, K:Q'ty Change  
Copyright (C) YANMAR CO., LTD. All Rights Reserved.

Fig.3. FLYWHEEL HOUSING & OIL SUMP



(A)=3TNE84-AGD  
(B)=3TNE88-AGD  
(C)=4TNE88-AGD

(D)=4TNE84T-AGD  
(E)=  
(F)=

No.	Lev.	Parts No.	Description	Q'ty						I	R
				(A)	(B)	(C)	(D)	(E)	(F)		
1	1	129100-01580	PIN, M8X16	2	2						
2	1	171420-01600	HOUSING, FLYWHEEL	1	1						
3	1	119620-01750	CAP	1	1						
4	1	26206-100252	BOLT, M10X 25 PLATED	6	6						
5	1	26206-100302	BOLT, M10X 30 PLATED	4	4						
6	1	129100-01730	SPACER, OIL SUMP	1	1						
8	1	129100-01770	SUMP ASSY, OIL	1	1						
9	2	119640-01640	PLUG, DRAIN M22	1	1						
11	2	22190-220002	WASHER, SEAL 22	1	1						
12	1	26106-080162	BOLT, M8X 16 PLATED	4	4						
13	1	26106-080252	BOLT, M8X 25 PLATED	2	2						
14	1	26106-080452	BOLT, M8X 45 PLATED	20	20						
14-1	1	26106-080452	BOLT, M8X 45 PLATED	16	16						K
		(A=FROM 1ST) (B=FROM 1ST)									
15	1	129100-01580	PIN, M8X16	2	2						
16	1	129100-01640	CASE ASSY, OIL SEAL	1	1						
18	2	129795-01780	SEAL, OIL	1	1						
19	1	26106-080302	BOLT, M8X 30 PLATED	6	6						
20	1	26106-080352	BOLT, M8X 35 PLATED	3	3						
21	1	26106-080502	BOLT, M8X 50 PLATED	4	4						W
		(A=FROM 1ST) (B=FROM 1ST)									

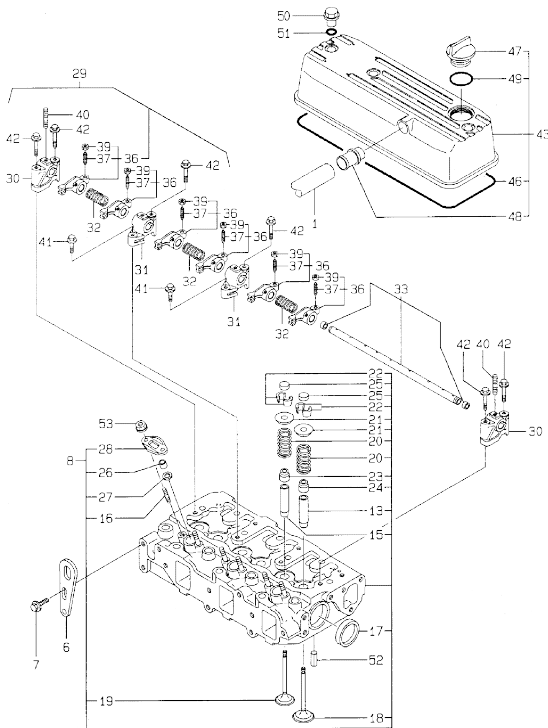
Fig.4. CYLINDER HEAD & BONNET

(A)=3TNE84-AGD  
(B)=3TNE88-AGD  
(C)=4TNE88-AGD

(D)=4TNE84T-AGD  
(E)=  
(F)=

Y0985190  
3, 4TNE84, 88 (1) -AGD

4 シリンダヘッド & ボンネット  
CYLINDER HEAD & BONNET



No.	Lev.	Parts No.	Description	Q'ty						I	R
				(A)	(B)	(C)	(D)	(E)	(F)		
1	1	171350-03090	PIPE, BREATHER 900	1	1						
6	1	124736-07900	LIFTER	2	2						
7	1	26106-080142	BOLT, M8X 14 PLATED	4	4						
8	1	129001-11700	HEAD ASSY, CYLINDER	1	1						
13	2	120130-11860	GUIDE, VALVE	3	3						1
15	2	129150-11810	GUIDE, VALVE	3	3						1
16	2	26216-060202	STUD, M6X 20	6	6						
17	2	27241-400000	PLUG, 40	2	2						
18	2	129100-11100	VALVE, INTAKE	3	3						
19	2	129100-11110	VALVE, EXHAUST	3	3						
20	2	129795-11120	SPRING, VALVE	6	6						
21	2	129795-11180	RETAINER, SPRING	6	6						
22	2	27310-080001	COTTER, 8	6	6						
23	2	121400-11340	SEAL, VALVE STEM	3	3						G
24	2	124460-11340	SEAL, VALVE STEM	3	3						G
25	2	129150-11370	CAP, VALVE	6	6						
26	2	119625-11871	PROTECTOR, NOZZLE	3	3						G
27	2	119625-11880	SEAT, NOZZLE	3	3						G
28	2	119625-11900	RETAINER, NOZZLE	3	3						
29	1	129100-11240	SHAFT ASSY, ROCKER	1	1						
30	2	129155-11260	SUPPORT, ROCKER ARM	2	2						
31	2	129155-11270	SUPPORT, ROCKER ARM	2	2						
32	2	129150-11280	SPRING	3	3						
33	2	129150-11290	SHAFT, ROCKER ARM	1	1						
36	2	129100-11650	ARM, ROCKER	6	6						
37	3	129150-11230	SCREW, VALVE ADJUST	6	6						
39	3	129150-11750	NUT, M8	6	6						
40	2	26226-080182	STUD, M8X 18	3	3						
41	1	26106-080252	BOLT, M8X 25 PLATED	2	2						
42	1	26106-080502	BOLT, M8X 50 PLATED	6	6						
43	1	129001-11350	BONNET ASSY, HEAD	1	1						
46	2	129001-11310	GASKET, BONNET	1	1						G
47	2	124160-01751	COVER, FILLER	1	1						
48	2	129001-11340	PIPE, BREATHER	1	1						
49	2	24311-000320	O-RING, 1AP32.0	1	1						G
50	1	124160-11360	KNOB	3	3						
51	1	24311-000120	O-RING, 1AP12.0	3	3						G
52	1	22351-060012	PIN, SPRING 6.0X12	2	2						
53	1	26366-060002	NUT, M6	6	6						

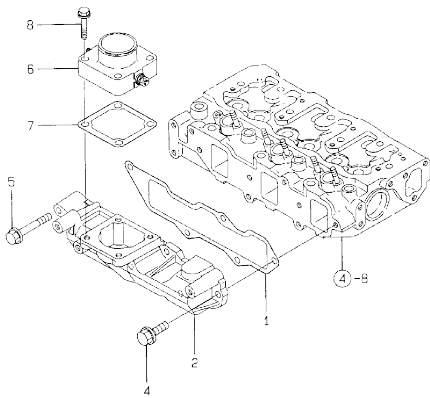
Remarks  
(1) REPAIR PART.  
(G) THESE PARTS ARE SOLD BY FIG.19,  
REF.NO.1,2.



Fig.5. SUCTION MANIFOLD

Y0095150  
3, 4TNE84, 88 (1) -AGD

5 吸気マニホールド  
SUCTION MANIFOLD



(A)=3TNE84-AGD  
(B)=3TNE88-AGD  
(C)=4TNE88-AGD

(D)=4TNE84T-AGD  
(E)=  
(F)=

No.	Lev.	Parts No.	Description	Q'ty						I	R
				(A)	(B)	(C)	(D)	(E)	(F)		
1	1	129001-12110	GASKET, MANIFOLD	1	1						
2	1	129001-12120	MANIFOLD, AIR INTAKE	1	1						G
4	1	26106-080202	BOLT, M8X 20 PLATED	4	4						
5	1	26106-080502	BOLT, M8X 50 PLATED	1	1						
6	1	129120-77501	HEATER	1	1						
7	1	129150-77511	GASKET	1	1						G
8	1	26106-080352	BOLT, M8X 35 PLATED	4	4						

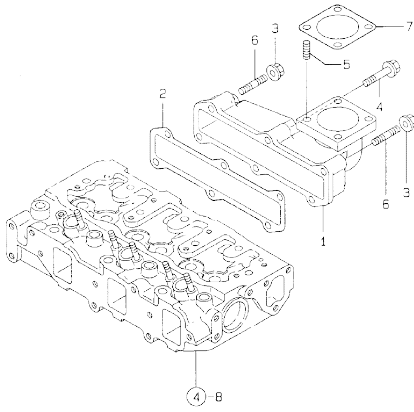
Remarks  
(G) THESE PARTS ARE SOLD BY FIG.19.  
REF.NO.1.2.

N:Old  $\frac{New}{Old}$  New. Q:Old  $\frac{New}{Old}$  New. R:Old  $\frac{New}{Old}$  New. S:Old  $\frac{New}{Old}$  New. W:Add. Z:Discontinued. F:Interchangeable by set. K:Q'ty Change  
Copyright (C) YANMAR CO., LTD. All Rights Reserved.

Fig.6. EXHAUST MANIFOLD

Y0685190  
3. 41NE84, 88 (7) -AGD

6 排気マニホールド  
EXHAUST MANIFOLD



(A)=3TNE84-AGD  
(B)=3TNE88-AGD  
(C)=4TNE88-AGD

(D)=4TNE84T-AGD  
(E)=  
(F)=

No.	Lev.	Parts No.	Description	Q'ty						I	R
				(A)	(B)	(C)	(D)	(E)	(F)		
1	1	129001-13100	MANIFOLD, EXHAUST	1	1						
2	1	129001-13110	GASKET	1	1						G
3	1	194990-22050	NUT, M8	2	2						
4	1	26106-080402	BOLT, M8X 40 PLATED	4	4						
5	1	26216-080222	STUD, M8X 22	4	4						
6	1	26216-080402	STUD, M8X 40	2	2						
7	1	124701-11911	GASKET, SILENCER	1	1						G

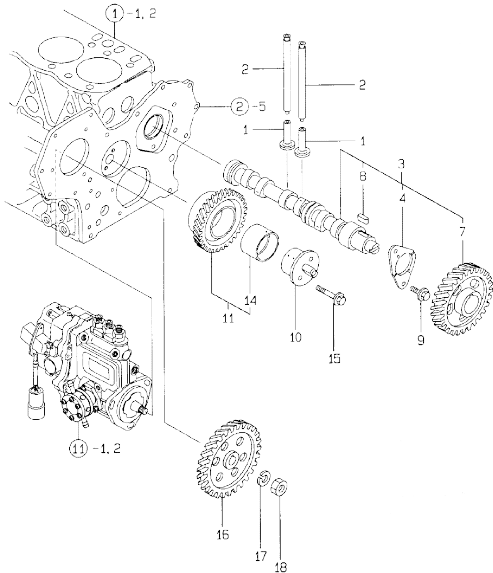
Remarks  
(G) THESE PARTS ARE SOLD BY FIG.19.  
REF.NO.1.2.

N:Old  $\frac{Y06}{100}$  New. Q:Old  $\frac{H0}{100}$  New. R:Old  $\frac{Y06}{100}$  New. S:Old  $\frac{H0}{100}$  New. W:Add. Z:Discontinued. F:Interchangeable by set. K:Q'ty Change  
Copyright (C) YANMAR CO., LTD. All Rights Reserved.

OCB10-M51900 ENGINE SECTION(3TNE84,88-AGD)  
 Fig.7. CAMSHAFT & DRIVING GEAR

Y000E190  
 3, 4TNE84, 88 (T) - AGD

7 カムシャフト & クロウギヤ  
 CAMSHAFT & DRIVING GEAR



OCB10-M51900 Fig.7  
 (A)=3TNE84-AGD (D)=4TNE84T-AGD  
 (B)=3TNE88-AGD (E)=  
 (C)=4TNE88-AGD (F)=

No.	Lev.	Parts No.	Description	Q'ty						
				(A)	(B)	(C)	(D)	(E)	(F)	
1	1	129150-14200	TAPPET		6	6				
2	1	129150-14400	ROD, PUSH L=178		6	6				
3	1	129129-14580	CAMSHAFT ASSY		1	1				
4	2	129150-02450	BEARING, THRUST		1	1				
7	2	129150-14101	GEAR, CAMSHAFT		1	1				
8	2	22512-070140	KEY, 7X 14		1	1				
9	1	26106-080162	BOLT, M8X 16 PLATED		2	2				
10	1	129100-25061	SHAFT, IDLE		1	1				
11	1	129150-25101	GEAR ASSY, IDLE		1	1				
14	2	129150-25920	BUSH, IDLE GEAR		1	1				1
15	1	26106-080452	BOLT, M8X 45 PLATED		2	2				
16	1	129150-25900	GEAR, PUMP		1	1				
17	1	22217-120000	WASHER, SPRING 12		1	1				
18	1	26716-120002	NUT, M12		1	1				

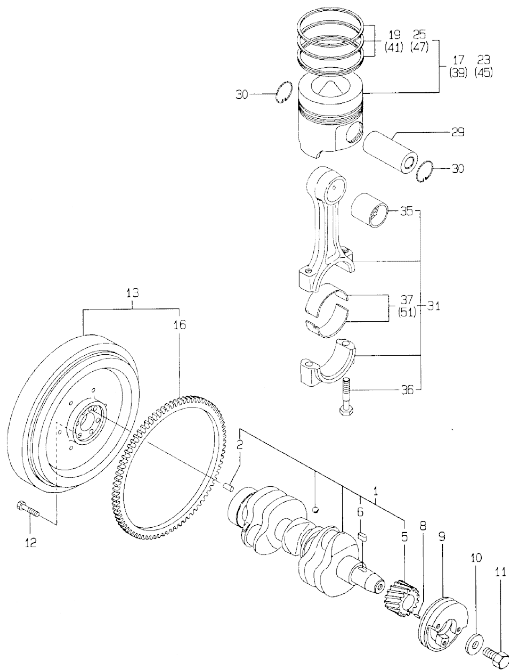
Remarks  
 (1) REPAIR PART.

N:Old  $\frac{New}{Old}$  New, Q:Old  $\frac{New}{Old}$  New, R:Old  $\frac{New}{Old}$  New, S:Old  $\frac{New}{Old}$  New, W:Add, Z:Discontinued, F:Interchangeable by set, K:Q'ty Change  
 Copyright (C) YANMAR CO., LTD. All Rights Reserved.

Fig.8. CRANKSHAFT & PISTON

YD06E190  
3, 4TNE84, 68 ITI-ABD

クランクシャフト & ピストン  
CRANKSHAFT & PISTON



(A)=3TNE84-AGD  
(B)=3TNE88-AGD  
(C)=4TNE88-AGD

(D)=4TNE84T-AGD  
(E)=  
(F)=

No.	Lev.	Parts No.	Description	Q'ty						I	R
				(A)	(B)	(C)	(D)	(E)	(F)		
1	1	129001-21000	CRANKSHAFT ASSY	1	1						
2	2	129100-01580	PIN, M8X16	1	1						
5	2	129150-21200	GEAR, CRANKSHAFT	1	1						
6	2	22512-070140	KEY, 7X 14	1	1						
8	1	22351-040010	PIN, SPRING 4.0X10	1	1						
9	1	171340-21650	V-PULLEY	1	1						
10	1	129795-21661	WASHER	1	1						
11	1	121850-21680	BOLT	1	1						
12	1	121111-21501	BOLT, FLYWHEEL	6	6						
13	1	171340-21590	FLYWHEEL ASSY	1	1						
16	2	124550-21600	GEAR, RING	1	1						
17	1	129002-22081	PISTON ASSY	3							
19	2	129002-22500	RING SET, PISTON	3							
23	1	129001-22081	PISTON ASSY		3						
25	2	129001-22500	RING SET, PISTON		3						
29	1	129202-22300	PIN, PISTON D26 L70	3	3						
30	1	22252-000260	RING, 26	6	6						
31	1	729402-23100	ROD ASSY, CONNECTING	3	3						
35	2	129100-23910	BEARING, PISTON PIN	3	3						1
36	2	121550-23200	BOLT, CONNECTING ROD	6	6						
37	2	129150-23600	BEARING, CRANK PIN	3	3						
39	1	129002-22900	PISTON ASSY, 0.25 OS	3							2
41	2	129002-22950	RING SET, 0.25 OS	3							2
45	1	129001-22900	PISTON ASSY, 0.25 OS		3						2
47	2	129001-22950	RING SET, 0.25 OS		3						2
51	1	129150-23610	BEARING, 0.25 US	3	3						3

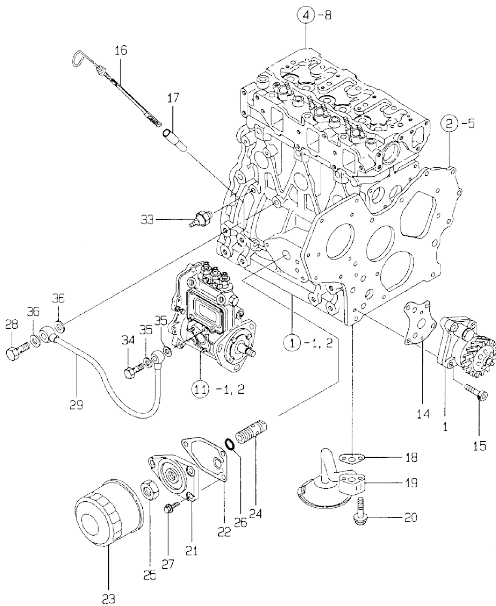
Remarks

- (1) REPAIR PART.
- (2) OVER-SIZE(O.S=0.25)PART.
- (3) UNDER-SIZE(U.S=0.25)PART.

Fig.9. LUB.OIL SYSTEM

Y0085190  
3, 4TNE84, 88 (T) - AGD

9 L0774  
LUB.OIL SYSTEM



(A)=3TNE84-AGD  
(B)=3TNE88-AGD  
(C)=4TNE88-AGD

(D)=4TNE84T-AGD  
(E)=  
(F)=

No.	Lev.	Parts No.	Description	Q'ty						I	R
				(A)	(B)	(C)	(D)	(E)	(F)		
1	1	129001-32001	PUMP ASSY, OIL	1	1						
14	1	129150-32020	GASKET, PUMP	1	1						G
15	1	26450-060252	BOLT, M6X 25	4	4						
16	1	129136-34800	DIPSTICK, OIL	1	1						
17	1	121520-34810	GUIDE, DIPSTICK	1	1						
18	1	129150-35041	GASKET	1	1						G
19	1	129100-35301	PIPE ASSY, OIL INLET	1	1						
20	1	26106-080352	BOLT, M8X 35 PLATED	2	2						
21	1	129150-35101	BRACKET, STRAINER	1	1						
22	1	129150-35111	GASKET	1	1						G
23	1	129150-35151	FILTER, D80XL80	1	1						
24	1	129001-35300	BOLT, FILTER	1	1						
25	1	129150-35350	NUT	1	1						
26	1	24311-000160	O-RING, 1AP16.0	1	1						G
27	1	26106-080202	BOLT, M8X 20 PLATED	3	3						
28	1	124160-39140	BOLT, PIPE JOINT M10	1	1						
29	1	129150-39450	PIPE ASSY, OIL	1	1						
33	1	124160-39450	SWITCH, 0.5KG	1	1						
34	1	124550-59820	BOLT, PIPE JOINT M8	1	1						
35	1	23414-080000	GASKET, 8X1.0	2	2						G
36	1	23414-100000	GASKET, 10X1.0	2	2						G

Remarks  
(G) THESE PARTS ARE SOLD BY FIG.19,  
REF.NO.1.2.

N:Old  $\frac{100}{100}$  New, Q:Old  $\frac{100}{100}$  New, R:Old  $\frac{100}{100}$  New, S:Old  $\frac{100}{100}$  New, W:Add, Z:Discontinued, F:Interchangeable by set, K:Qty Change  
Copyright (C) YANMAR CO., LTD. All Rights Reserved.

OCB10-M51900 ENGINE SECTION(3TNE84,88-AGD)  
 Fig.10. COOLING WATER SYSTEM

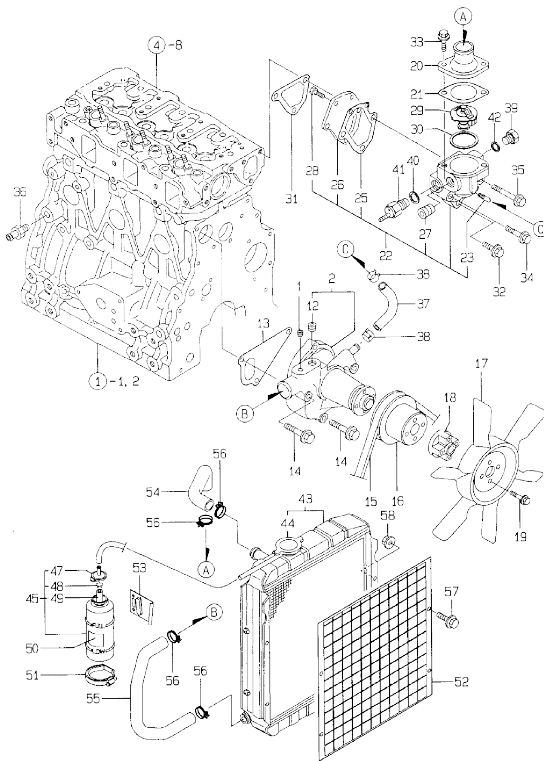
OCB10-M51900 Fig.10

(A)=3TNE84-AGD  
 (B)=3TNE88-AGD  
 (C)=4TNE88-AGD

(D)=4TNE84T-AGD  
 (E)=  
 (F)=

Y0085190  
 3, 4TNE84, 88 (1) -AGD

10 冷却水系统  
 COOLING WATER SYSTEM



No.	Lev.	Parts No.	Description	Q'ty						I	R
				(A)	(B)	(C)	(D)	(E)	(F)		
1	1	121850-11860	PLUG, PT1/4	1	1						
2	1	129100-42002	PUMP ASSY, WATER	1	1						
12	2	23871-030000	PLUG, R03	1	1						
13	1	129100-42020	GASKET, WATER PUMP	1	1						G
14	1	26106-080602	BOLT, M8X 60 PLATED	3	3						
15	1	124732-42290	V-BELT, AX37	1	1						
16	1	129155-42350	V-PULLEY	1	1						
17	1	171340-44740	FAN, COOLING D335XNF	1	1						
18	1	171353-44760	SPACER, FAN	1	1						
19	1	26106-060352	BOLT, M6X 35 PLATED	4	4						
20	1	129350-49530	COVER, THERMOSTAT	1	1						
21	1	129795-49551	GASKET	1	1						G
22	1	129100-49800	CASE ASSY, THERMOSTAT	1	1						
23	2	124770-11770	JOINT, PIPE PT1/8	1	1						
25	2	129100-49820	GASKET	1	1						
26	2	129100-49830	COVER, THERMOSTAT	1	1						
27	2	23871-030000	PLUG, R03	1	1						
28	2	26116-060162	BOLT, M6X 16 PLATED	2	2						
29	1	129155-49800	THERMOSTAT, 71	1	1						
30	1	129150-49811	GASKET, THERMOSTAT	1	1						G
31	1	129100-49840	GASKET	1	1						G
32	1	26106-080252	BOLT, M8X 25 PLATED	1	1						
33	1	26106-080202	BOLT, M8X 20 PLATED	2	2						
34	1	26106-080502	BOLT, M8X 50 PLATED	1	1						
35	1	26106-080602	BOLT, M8X 60 PLATED	1	1						
36	1	121550-49111	JOINT, PT1/4	1	1						
37	1	129132-49050	PIPE, WATER	1	1						
38	1	23000-016000	CLAMP, 16	2	2						
39	1	121450-42450	PLUG, M16	1	1						
40	1	124465-44950	GASKET, 16	1	1						G
41	1	121250-44901	SWITCH, 110	1	1						
42	1	124465-44950	GASKET, 16	1	1						G
43	1	171420-44500	RADIATOR	1	1						
44	2	124450-44590	CAP, RADIATOR	1	1						
45	1	124450-44510	TANK ASSY, SUB	1	1						
47	2	124450-44530	CAP	1	1						
48	2	124450-44560	RETAINER	1	1						
49	2	23061-070230	PIPE, 7X 230	1	1						
50	1	121470-44540	LABEL, SUB-TANK	1	1						
51	1	124450-44550	BAND	1	1						
52	1	129111-44590	PROTECTOR	1	1						
53	1	121256-44600	BRACKET, SUB TANK	1	1						
54	1	171301-49010	PIPE, WATER	1	1						
55	1	171301-49020	PIPE, WATER	1	1						
56	1	23010-038000	CLAMP, 38	4	4						
57	1	26014-080202	BOLT, M8X 20	4	4						
58	1	26366-080002	NUT, M8	4	4						

Remarks  
 (G) THESE PARTS ARE SOLD BY FIG.19.  
 REF.NO.1.2.

N:Old  $\frac{100}{100}$  New, Q:Old  $\frac{100}{100}$  New, R:Old  $\frac{100}{100}$  New, S:Old  $\frac{100}{100}$  New, W:Add, Z:Discontinued, F:Interchangeable by set, K:Q'ty Change  
 Copyright (C) YANMAR CO., LTD. All Rights Reserved.

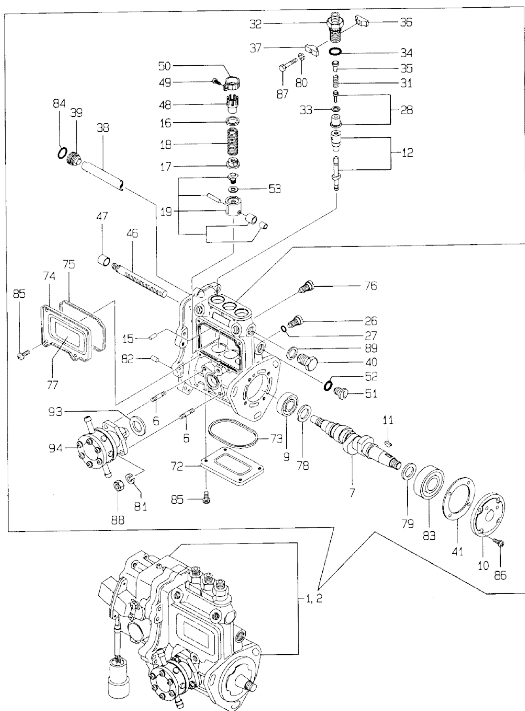
Fig.11. FUEL INJECTION PUMP

(A)=3TNE84-AGD  
(B)=3TNE88-AGD  
(C)=4TNE88-AGD

(D)=4TNE84T-AGD  
(E)=  
(F)=

Y02051190  
3, 4TNE84, 88 171-450

11 FUEL INJECTION PUMP



No.	Lev.	Parts No.	Description	Q'ty						I	R	
				(A)	(B)	(C)	(D)	(E)	(F)			
1	1	729212-51200	PUMP ASSY, INJECTION								1	
2	1	729212-51210	PUMP ASSY, INJECTION								1	
6	2	129155-51020	STUD			2	2					
7	2	119810-51040	CAMSHAFT					1	1			
9	2	129155-51050	BEARING, 17BM001D					1	1			
10	2	129155-51060	SUPPORT, CAMSHAFT					1	1			
11	2	122710-51090	KEY					1	1			
12	2	129506-51100	PLUNGER ASSY					3	3			
15	2	129155-51140	PIN					3	3			
16	2	174307-51170	RETAINER, SPRING A					3	3			
17	2	129155-51180	RETAINER, SPRING					3	3			
18	2	124950-51190	SPRING, PLUNGER					3	3			
19	2	129155-51200	TAPPET ASSY					3	3			
26	2	129155-51270	STOPPER, TAPPET					3	3			
27	2	129155-51280	O-RING, S6					3	3			
28	2	129100-51300	VALVE ASSY, DELIVERY					3	3			
31	2	129155-51320	SPRING, DELIVERY					3	3			
32	2	129155-51340	RETAINER					3	3			
33	2	124550-51350	GASKET, DELIVERY					3	3			
34	2	124550-51370	O-RING					3	3			
35	2	129155-51370	STOPPER, VALVE					3	3			
36	2	129155-51380	STOPPER					2	2			
37	2	129155-51390	STOPPER					2	2			
38	2	129155-51400	DEFLECTOR					1	1			
39	2	129155-51410	BOLT					1	1			
40	2	129155-51420	PLUG, M16					1	1			
41	2	129155-51450	SHIM SET, ADJUSTING					1	1			
46	2	129155-51500	RACK, CONTROL					1	1			
47	2	129155-51521	BUSH, RACK					1	1			
48	2	129155-51550	PINION, CONTROL					3	3			
49	2	122117-51560	SCREW					3	3			
50	2	174307-51560	PINION					3	3			
51	2	129155-51570	PLUG, M12					1	1			
52	2	129155-51580	O-RING					1	1			
53	2	129155-51600	SHIM SET, ADJUSTING					3	3			
72	2	129155-51700	COVER					1	1			
73	2	129155-51710	GASKET					1	1			
74	2	129155-51750	COVER					1	1			
75	2	129155-51760	GASKET					1	1			
76	2	129155-51790	STOPPER, RACK					1	1			
77	2	129156-51910	LABEL, CAUTION					1	1			
78	2	129155-51930	SPACER, T=3.25					1	1			
79	2	129155-51940	SPACER, T=1.5					1	1			
80	2	22217-050000	WASHER, SPRING 5					2	2			
81	2	22217-060000	WASHER, SPRING 6					2	2			
82	2	22351-050010	PIN, SPRING 5.0X10					2	2			
83	2	24101-063034	BEARING, BALL 6303					1	1			
84	2	24341-000160	O-RING, 1AS16.0					1	1			
85	2	26022-050102	SCREW, M5X10					8	8			
86	2	26022-060162	SCREW, M6X16					4	4			
87	2	26116-050302	BOLT, M5X30 PLATED					2	2			

Remarks  
(1) GOVERNOR ASSY(FIG.12) IS INCORPORATED IN THIS FOP.CMP (REF.NO.1.2).  
(G) THESE PARTS ARE SOLD BY FIG.19, REF.NO.1.2.

N:Old  $\frac{100}{100}$  New, Q:Old  $\frac{100}{100}$  New, R:Old  $\frac{100}{100}$  New, S:Old  $\frac{100}{100}$  New, W:Add, Z:Discontinued, F:Interchangeable by set, K:Q'ty Change  
++ CONTINUE ++  
Copyright (C) YANMAR CO., LTD. All Rights Reserved.

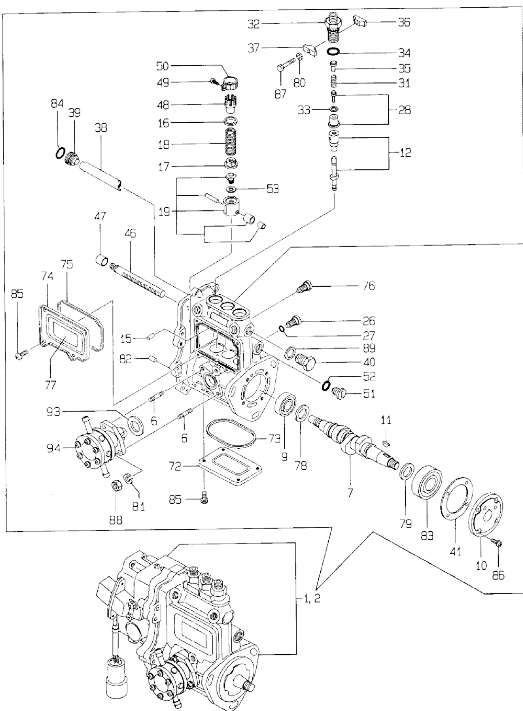
Fig.11. FUEL INJECTION PUMP

(A)=3TNE84-AGD  
(B)=3TNE88-AGD  
(C)=4TNE88-AGD

(D)=4TNE84T-AGD  
(E)=  
(F)=

Y02301190  
3, 4TNE84, 88 171-450

11 FUEL INJECTION PUMP



No.	Lev.	Parts No.	Description	Q'ty						I	R
				(A)	(B)	(C)	(D)	(E)	(F)		
88	2	26716-060002	NUT, M6	2	2						
89	2	22190-160002	WASHER, SEAL 16	1	1						
93	2	129155-52050	GASKET	1	1						G
94	2	129100-52100	PUMP ASSY, FUEL FEED	1	1						

Remarks

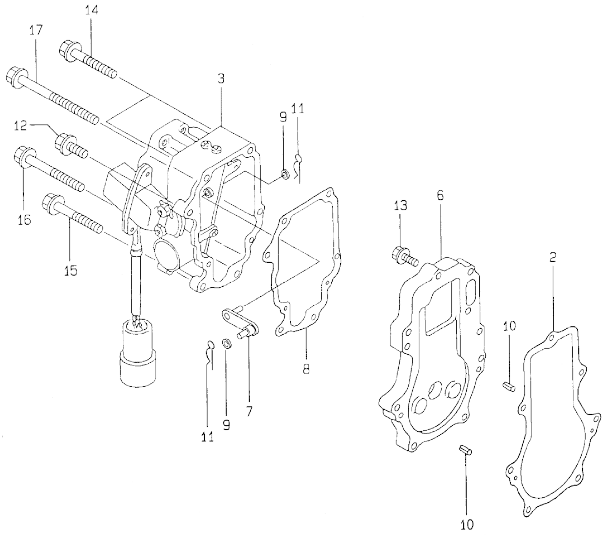
- (1) GOVERNOR ASSY(FIG.12) IS INCORPORATED IN THIS FOP.CMP (REF.NO.1.2).
- (G) THESE PARTS ARE SOLD BY FIG.19, REF.NO.1.2.



Fig.12. GOVERNOR

Y0005190  
3, 47NE84, 88 (1) -AGD

12 加付  
GOVERNOR

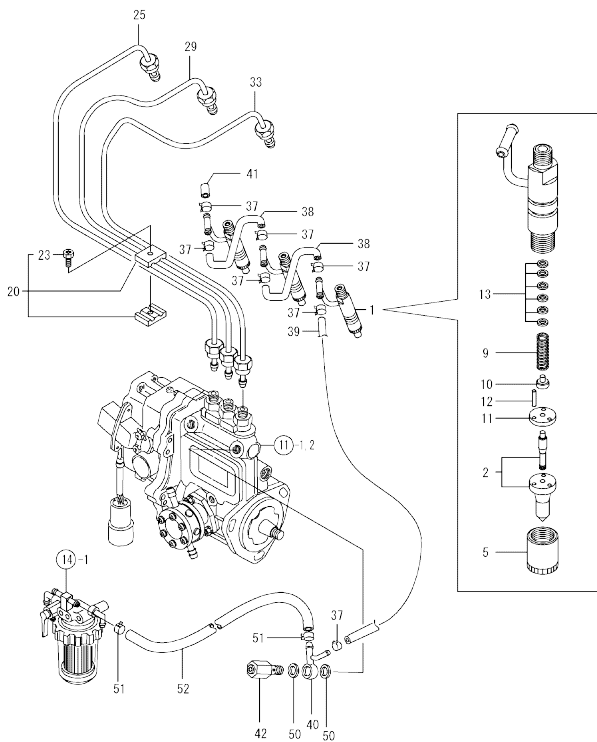


(A)=3TNE84-AGD  
(B)=3TNE88-AGD  
(C)=4TNE88-AGD

(D)=4TNE84T-AGD  
(E)=  
(F)=

No.	Lev.	Parts No.	Description	Q'ty					
				(A)	(B)	(C)	(D)	(E)	(F)
2	2	129116-61051	GASKET	1	1				
3	2	119649-61100	ACTUATOR	1	1				
6	2	129116-61110	SPACER	1	1				
7	2	129116-61120	LINK	1	1				
8	2	119649-61151	GASKET	1	1				
9	2	22117-040000	WASHER, 4	2	2				
10	2	22351-040010	PIN, SPRING 4.0X10	2	2				
11	2	22360-050000	SNAP PIN 5	2	2				
12	2	26106-060202	BOLT, M6X 20 PLATED	1	1				
13	2	26106-060222	BOLT, M6X 22 PLATED	7	7				
14	2	26106-060452	BOLT, M6X 45 PLATED	2	2				
15	2	26106-060602	BOLT, M6X 60 PLATED	1	1				
16	2	26106-060702	BOLT, M6X 70 PLATED	1	1				
17	2	26106-060852	BOLT, M6X 85 PLATED	1	1				

Fig.13. FUEL INJECTION VALVE



(A)=3TNE84-AGD  
(B)=3TNE88-AGD  
(C)=4TNE88-AGD

(D)=4TNE84T-AGD  
(E)=  
(F)=

No.	Lev.	Parts No.	Description	Q'ty						I	R
				(A)	(B)	(C)	(D)	(E)	(F)		
1	1	719810-53100	VALVE ASSY,INJECTION	3	3						
2	2	119810-53000	VALVE ASSY,INJECTION	3	3						
5	2	114250-53080	NUT, NOZZLE D16.95	3	3						
9	2	114250-53120	SPRING, NOZZLE	3	3						
10	2	114250-53130	SEAT, SPRING	3	3						
11	2	114250-53140	PLATE	3	3						
12	2	114250-53210	PIN	6	6						
13	2	114250-53400	SHIM SET	3	3						
20	1	119305-59120	RETAINER, PIPE	2	2						
23	2	129150-59131	BOLT, M4X14	2	2						
25	1	129002-59810	PIPE ASSY, INJECTION	1	1						
29	1	129002-59820	PIPE ASSY, INJECTION	1	1						
33	1	129002-59830	PIPE ASSY, INJECTION	1	1						
37	1	124066-59100	CLIP, HOSE 8	7	7						
38	1	121250-59550	PIPE, FUEL D8X120	2	2						
39	1	119840-59560	PIPE, FUEL RETURN	1	1						
40	1	119840-59570	JOINT	1	1						
41	1	129150-59580	CAP	1	1						
42	1	129100-59951	VALVE ASSY, CHECK	1	1						
50	1	23414-120000	GASKET, 12X1.0	2	2						G
51	1	124766-59050	CLIP, HOSE 12	2	2						
52	1	129255-59580	PIPE, FUEL	1	1						

Remarks  
(G) THESE PARTS ARE SOLD BY FIG.19.  
REF.NO.1.2.

N:Old  $\frac{100}{100}$  New, Q:Old  $\frac{100}{100}$  New, R:Old  $\frac{100}{100}$  New, S:Old  $\frac{100}{100}$  New, W:Add, Z:Discontinued, F:Interchangeable by set, K:Q'ty Change  
Copyright (C) YANMAR CO., LTD. All Rights Reserved.

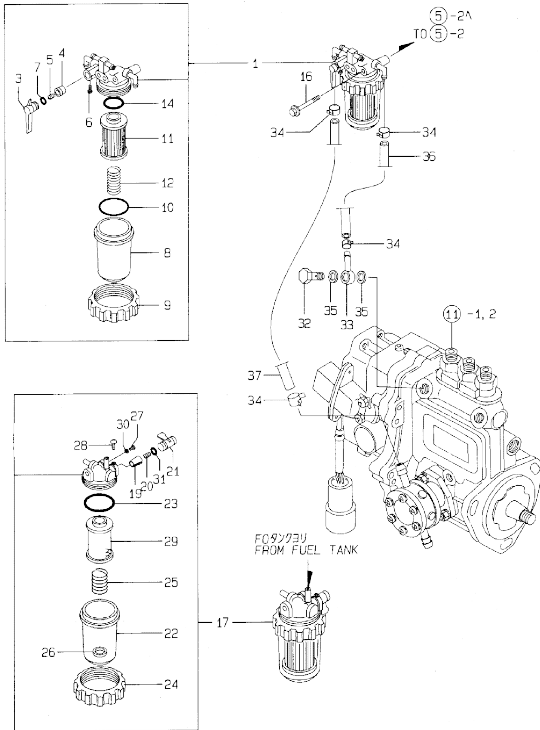
Fig.14. FUEL LINE

(A)=3TNE84-AGD  
(B)=3TNE88-AGD  
(C)=4TNE88-AGD

(D)=4TNE84T-AGD  
(E)=  
(F)=

Y0965190  
3. 4TNE84, 88 (T)-AGD

14 FUEL LINE



No.	Lev.	Parts No.	Description	Q'ty						I	R
				(A)	(B)	(C)	(D)	(E)	(F)		
1	1	129052-55620	FILTER ASSY, FUEL	1	1						
3	2	129100-55670	LEVER	1	1						
4	2	104200-55321	VALVE, TAPER	1	1						
5	2	104200-55330	SPRING, VALVE	1	1						
6	2	104200-55750	SCREW, M4	1	1						
7	2	24311-240100	O-RING, 1AP10A	1	1						
8	2	129100-55680	CUP, STRAINER	1	1						
9	2	129100-55690	RING, RETAINING	1	1						
10	2	24321-000650	O-RING, 1AG65.0	1	1						G
11	2	129100-55650	ELEMENT	1	1						
12	2	129100-55700	SPRING	1	1						
14	2	24311-000160	O-RING, 1AP16.0	1	1						
16	1	26014-080702	BOLT, M8X 70	1	1						
17	1	121257-55700	SEPARATOR, WATER	1	1						
19	2	104200-55321	VALVE, TAPER	1	1						
20	2	104200-55330	SPRING, VALVE	1	1						
21	2	104200-55341	HANDLE	1	1						
22	2	121254-55510	COVER	1	1						
23	2	102103-55520	O-RING	1	1						
24	2	110250-55610	RING, RETAINING	1	1						
25	2	121257-55720	SPRING	1	1						
26	2	121257-55731	FLOAT	1	1						
27	2	101720-55750	PLUG, 6	2	2						
28	2	104200-55750	SCREW, M4	1	1						
29	2	171081-55910	SCREEN	1	1						
30	2	23418-060000	GASKET, 6X1.0	2	2						
31	2	24311-240100	O-RING, 1AP10A	1	1						
32	1	103854-39140	BOLT, PIPE JOINT	1	1						
33	1	101304-59020	JOINT, PIPE 12	1	1						
34	1	124766-59050	CLIP, HOSE 12	4	4						
35	1	104200-59170	GASKET, 12	2	2						G
36	1	129555-59510	PIPE, D13/7.5X180	1	1						
37	1	105025-59530	PIPE, FUEL D13X400	1	1						

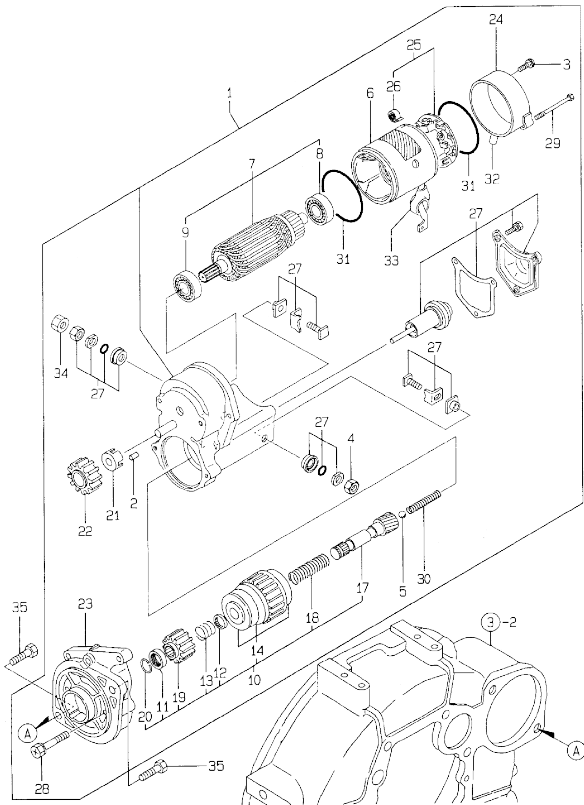
Remarks  
(G) THESE PARTS ARE SOLD BY FIG.19.  
REF.NO.1.2.

N:Old  $\frac{New}{Old}$  New. Q:Old  $\frac{New}{Old}$  New. R:Old  $\frac{New}{Old}$  New. S:Old  $\frac{New}{Old}$  New. W:Add. Z:Discontinued. F:Interchangeable by set. K:Qty Change  
Copyright (C) YANMAR CO., LTD. All Rights Reserved.

Fig.15. STARTING MOTOR

Y005519G  
3. 4TNE84, 88 (7) -AGD

15 スターティングモーター  
STARTING MOTOR

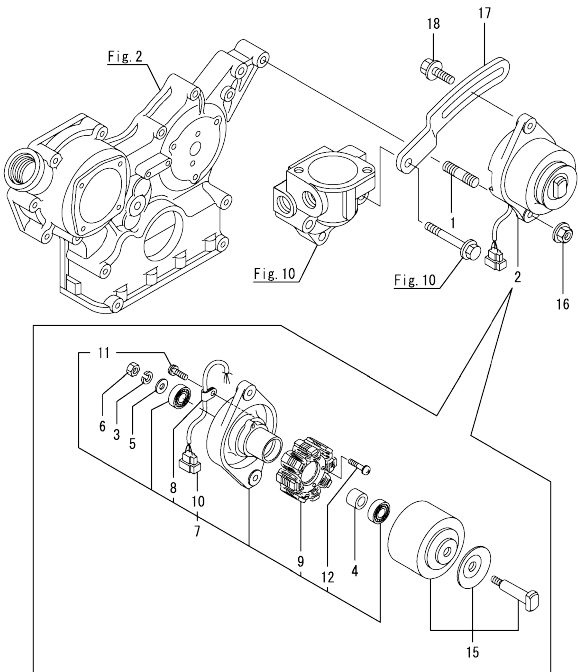


(A)=3TNE84-AGD  
(B)=3TNE88-AGD  
(C)=4TNE88-AGD

(D)=4TNE84T-AGD  
(E)=  
(F)=

No.	Lev.	Parts No.	Description	Qty					
				(A)	(B)	(C)	(D)	(E)	(F)
1	1	129129-77010	STARTER ASSY	1	1				
2	2	X0283060061	ROLLER	5	5				
3	2	X0289030010	SCREW	2	2				
4	2	X9490561370	NUT	1	1				
5	2	X9491200240	BALL	1	1				
6	2	129129-77210	YOKE ASSY	1	1				
7	2	129129-77220	ARMATURE ASSY	1	1				
8	3	129129-77230	BEARING	1	1				
9	3	129129-77240	BEARING	1	1				
10	2	129129-77250	STARTER	1	1				
11	3	X0280210230	NUT	1	1				
12	3	X0283270140	RETAINER	1	1				
13	3	X9491703371	SPRING, COIL	1	1				
14	3	129129-77390	CLUTCH ASSY	1	1				
17	3	129129-77400	SHAFT	1	1				
18	3	129129-77410	SPRING, COIL	1	1				
19	3	129129-77420	PINION, STARTER	1	1				
20	3	129129-77430	RING	1	1				
21	2	129129-77260	RETAINER	1	1				
22	2	129129-77270	PINION	1	1				
23	2	129129-77280	HOUSING	1	1				
24	2	129129-77290	FRAME	1	1				
25	2	129129-77300	HOLDER ASSY	1	1				
26	3	X9491730461	SPRING	4	4				
27	2	129129-77310	SWITCH ASSY	1	1				
28	2	129129-77320	BOLT	2	2				
29	2	129129-77330	BOLT	2	2				
30	2	129129-77340	SPRING	1	1				
31	2	129129-77350	O-RING	2	2				
32	2	129129-77361	BUSH	1	1				
33	2	129129-77380	CAP	1	1				
34	2	129129-77370	NUT	1	1				
35	1	26116-120252	BOLT, M12X 25 PLATED	2	2				

Fig.16. GENERATOR



(A)=3TNE84-AGD  
(B)=3TNE88-AGD  
(C)=4TNE88-AGD

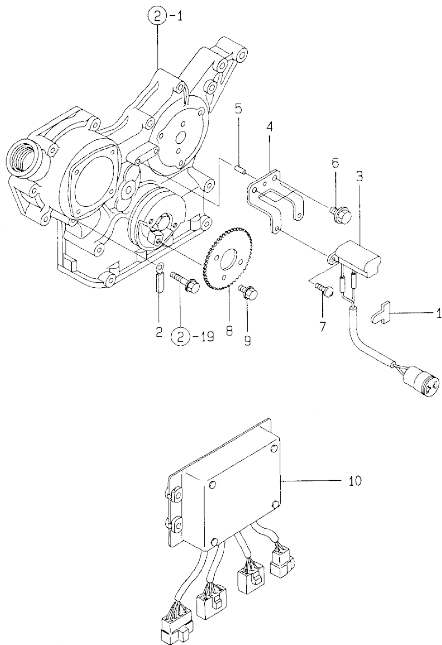
(D)=4TNE84T-AGD  
(E)=  
(F)=

No.	Lev.	Parts No.	Description	Q'ty						I	R
				(A)	(B)	(C)	(D)	(E)	(F)		
1	1	121450-01570	BOLT, STUD	1	1						
2	1	129150-77202	GENERATOR	1	1						
2-1	1	129150-77203	DINAMO ASSY	1	1						N
		(A=EXXXXX) (B=EXXXXX)									
3	2	XM219230000	WASHER, SPRING	1	1						
4	2	XM329830000	COLLAR	1	1						
5	2	XM860250000	WASHER, 10	1	1						
6	2	XM863720000	NUT	1	1						
7	2	129150-77210	PLATE ASSY	1	1						
8	3	XM069000000	CLAMP	1	1						
9	3	XM081780000	STATOR	1	1						
10	3	XM178780000	COUPLER	1	1						
11	3	XYSPS400800	SCREW	1	1						
12	3	XYSPS402400	SCREW	2	2						
15	2	129150-77230	FLYWHEEL ASSY	1	1						
15-1	2	129150-77280	FLYWHEEL ASSY	1	1						N
		(A=EXXXXX) (B=EXXXXX)									
16	1	26366-100002	NUT, M10	1	1						
17	1	129410-77330	ADJUSTER, BELT	1	1						
18	1	26014-080252	BOLT, M8X 25	1	1						

OCB10-M51900 ENGINE SECTION(3TNE84,88-AGD)  
 Fig.17. PULSER

Y0055190  
 3, 4TNE84, 88 (7) -AGD

17 パルサー  
 PULSER



(A)=3TNE84-AGD  
 (B)=3TNE88-AGD  
 (C)=4TNE88-AGD

OCB10-M51900 Fig.17

(D)=4TNE84T-AGD  
 (E)=  
 (F)=

No.	Lev.	Parts No.	Description	Q'ty					
				(A)	(B)	(C)	(D)	(E)	(F)
1	1	172010-08160	STICKER, WIRE	1	1				
2	1	194180-51640	CLAMP, HARNESS	1	1				
3	1	119649-78500	PULSAR	1	1				
4	1	129116-78510	BRACKET, PULSAR	1	1				
5	1	22351-040010	PIN, SPRING 4.0X10	1	1				
6	1	26116-060122	BOLT, M6X 12 PLATED	2	2				
7	1	26557-040082	SCREW, M4X 8	2	2				
8	1	119649-78650	GEAR, PULSAR	1	1				
9	1	26106-100142	BOLT, M10X 14 PLATED	3	3				
10	1	129111-78802	CONTROLLER, MAIN 4P	1	1				

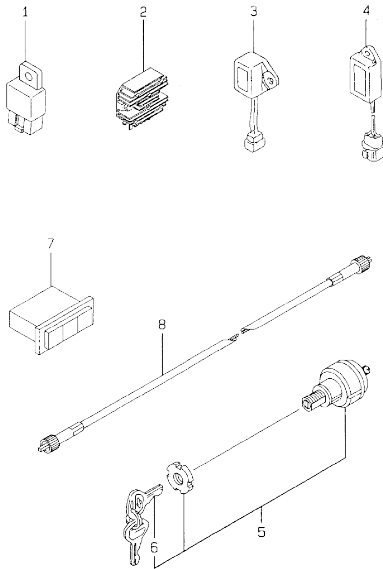
Fig.18. ELECTRIC PARTS

(A)=3TNE84-AGD  
(B)=3TNE88-AGD  
(C)=4TNE88-AGD

(D)=4TNE84T-AGD  
(E)=  
(F)=

Y0005190  
3, 4TNE84, 88 (T) -AGD

18 デンソクピン  
ELECTRIC PARTS

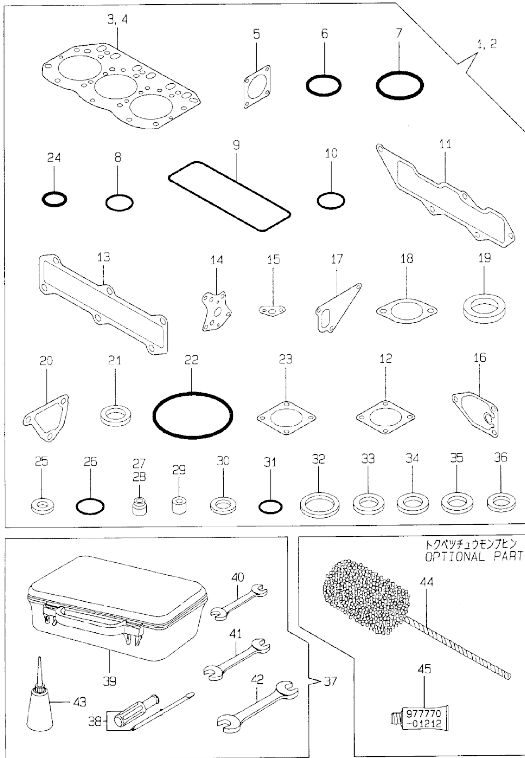


No.	Lev.	Parts No.	Description	Q'ty						I	R
				(A)	(B)	(C)	(D)	(E)	(F)		
1	1	119247-77100	RELAY, SAFETY	1	1						
2	1	119640-77711	LIMITER, CURRENT	1	1						
3	1	121522-77721	INDICATOR	1	1						
4	1	128300-77920	TIMER	1	1						
5	1	121400-91251	SWITCH, STARTER	1	1						
6	2	121400-91271	KEY, SWITCH	1	1						
7	1	129411-91310	LAMP	1	1						
7A	2	129411-91360	BULB, 12V-3.4W	6	6						W
8	1	194185-56900	CABLE ASSY, METER	1	1						

Fig.19. GASKET SET(OPTIONAL) & TOOL

Y0085190  
3, 4TNE84, 88 (7) - AGD

19 ガッキンセット(オプション) & コウク  
GASKET SET (OPTIONAL) & TOOL



(A)=3TNE84-AGD  
(B)=3TNE88-AGD  
(C)=4TNE88-AGD

(D)=4TNE84T-AGD  
(E)=  
(F)=

No.	Lev.	Parts No.	Description	Qty						I	R	
				(A)	(B)	(C)	(D)	(E)	(F)			
1	1	729212-92600	GASKET SET								1	
2	1	729212-92610	GASKET SET	1							1	
3	2	129002-01331	GASKET, HEAD		1							1
4	2	129001-01340	GASKET, HEAD			1						
5	2	124240-01883	GASKET		1	1						
6	2	121850-51960	O-RING		1	1						
7	2	24311-000320	O-RING, 1AP32.0		1	1						
8	2	24311-000320	O-RING, 1AP32.0		1	1						
9	2	129001-11310	GASKET, BONNET		1	1						
10	2	24311-000120	O-RING, 1AP12.0		3	3						
11	2	129001-12110	GASKET, MANIFOLD		1	1						
12	2	124701-11911	GASKET, SILENCER		1	1						
13	2	129001-13110	GASKET		1	1						
14	2	129150-32020	GASKET, PUMP		1	1						
15	2	129150-35041	GASKET		1	1						
16	2	129150-35111	GASKET		1	1						
17	2	129100-42020	GASKET, WATER PUMP		1	1						
18	2	129795-49551	GASKET		1	1						
19	2	129150-49811	GASKET, THERMOSTAT		1	1						
20	2	129100-49840	GASKET		1	1						
21	2	124465-44950	GASKET, 16		2	2						
22	2	24321-000650	O-RING, 1AG65.0		1	1						
23	2	129150-77511	GASKET		1	1						
24	2	24311-000160	O-RING, 1AP16.0		2	2						
25	2	22190-080002	WASHER, SEAL 6		5	5						
26	2	24341-000240	O-RING, 1AS24.0		1	1						
27	2	121400-11340	SEAL, VALVE STEM		3	3						
28	2	124460-11340	SEAL, VALVE STEM		3	3						
29	2	119625-11871	PROTECTOR, NOZZLE		3	3						
30	2	119625-11880	SEAT, NOZZLE		3	3						
31	2	24311-000160	O-RING, 1AP16.0		1	1						
32	2	23414-080000	GASKET, 8X1.0		2	2						
33	2	23414-100000	GASKET, 10X1.0		2	2						
34	2	129155-52050	GASKET		1	1						
35	2	23414-120000	GASKET, 12X1.0		2	2						
36	2	104200-59170	GASKET, 12		2	2						
37	1	171001-93100	BOX, TOOL		1	1						
38	2	104200-92350	DRIVER, SCREW		1	1						
39	2	104200-92600	BOX, TOOL		1	1						
40	2	28110-100120	SPANNER, 10X12		1	1						
41	2	28110-140170	SPANNER, 14X17		1	1						
42	2	28110-190220	SPANNER, 19X22		1	1						
43	2	28210-000140	OILER		1	1						
44	1	129400-92420	HONE		1	1						1
45	1	977770-01212	GASKET, LIQUID		1	1						1

Remarks  
(1) OPTIONAL PART.

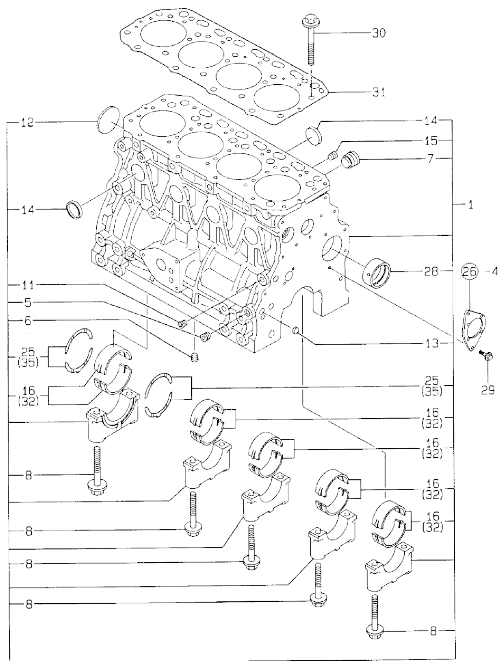
N:Old  $\frac{100}{100}$  New, Q:Old  $\frac{100}{100}$  New, R:Old  $\frac{100}{100}$  New, S:Old  $\frac{100}{100}$  New, W:Add, Z:Discontinued, F:Interchangeable by set, K:Qty Change  
Copyright (C) YANMAR CO., LTD. All Rights Reserved.



Fig.20. CYLINDER BLOCK

Y0085190  
3, 4TNE84, 8B (7) -AGD

20 シリンダブロック  
CYLINDER BLOCK



(A)=3TNE84-AGD  
(B)=3TNE88-AGD  
(C)=4TNE88-AGD

(D)=4TNE84T-AGD  
(E)=  
(F)=

No.	Lev.	Parts No.	Description	Q'ty						I	R		
				(A)	(B)	(C)	(D)	(E)	(F)				
1	1	729407-01561	BLOCK ASSY, CYLINDER										
5	2	124160-01910	PLUG, PT1/4										
6	2	124160-01910	PLUG, PT1/4										
7	2	171051-01921	PLUG, NPTF1										
8	2	129150-02020	BOLT, METAL CAP										
11	2	23871-010000	PLUG, R01										
12	2	27231-500000	PLUG 50										
13	2	27241-120000	PLUG, 12										
14	2	27241-300000	PLUG 30										
15	2	23871-030000	PLUG, R03										
16	2	129001-02800	BEARING, MAIN										
25	2	129150-02930	BEARING, THRUST										
28	2	129795-02411	BUSH, CAMSHAFT										
29	1	26106-080162	BOLT, M8X 16 PLATED										
30	1	129150-01200	BOLT, HEAD										
31	1	129407-01340	GASKET, HEAD										G
32	1	129150-02870	BEARING, 0.25 US										1
35	1	129150-02940	BEARING, THRUST 0.25										2

Remarks

- (1) UNDER-SIZED(U.S=0.25)PART.
- (2) OVER-SIZED(O.S=0.25)PART.
- (G) THESE PARTS ARE SOLD BY FIG.38,REF.NO.1.

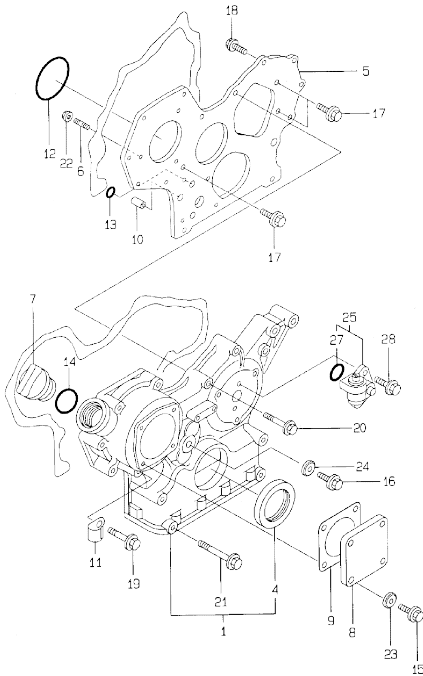
Fig.21. GEAR HOUSING

(A)=3TNE84-AGD  
(B)=3TNE88-AGD  
(C)=4TNE88-AGD

(D)=4TNE84T-AGD  
(E)=  
(F)=

YDOR5190  
3, 4TNE94, 88 (T1)-AGD

21 ギヤケース  
GEAR HOUSING

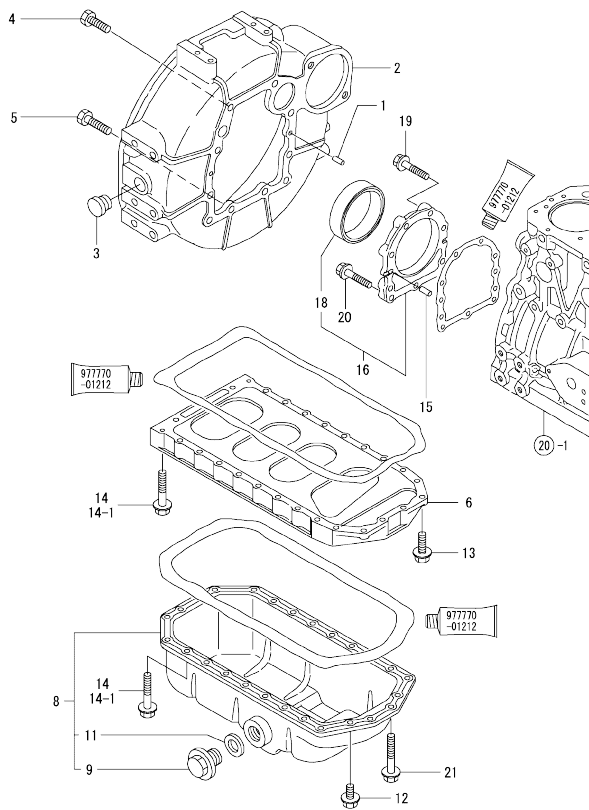


No.	Lev.	Parts No.	Description	Q'ty						I	R
				(A)	(B)	(C)	(D)	(E)	(F)		
1	1	719810-01500	CASE ASSY, GEAR			1					
4	2	129795-01800	SEAL, OIL			1					
5	1	129400-01520	FLANGE, GEAR CASE			1					
6	1	121450-01560	STUD, M8X22			3					
7	1	124160-01751	COVER, FILLER			1					
8	1	124240-01871	COVER			1					
9	1	124240-01883	GASKET			1					G
10	1	129795-01950	PIPE, KNOCK L=18			2					
11	1	129150-03100	RETAINER, PIPE			1					
12	1	121850-51960	O-RING			1					G
13	1	24311-000160	O-RING, 1AP16.0			2					G
14	1	24311-000320	O-RING, 1AP32.0			1					G
15	1	26106-080122	BOLT, M8X 12 PLATED			4					
16	1	26106-080162	BOLT, M8X 16 PLATED			1					
17	1	26106-080162	BOLT, M8X 16 PLATED			3					
18	1	26106-080202	BOLT, M8X 20 PLATED			2					
19	1	26106-080452	BOLT, M8X 45 PLATED			6					
20	1	26106-080552	BOLT, M8X 55 PLATED			3					
21	1	26106-080852	BOLT, M8X 85 PLATED			4					
22	1	26366-080002	NUT, M8			3					
23	1	22190-080002	WASHER, SEAL 6			4					
24	1	22190-080002	WASHER, SEAL 6			1					G
25	1	129150-91400	GEAR			1					
27	2	24341-000240	O-RING, 1AS24.0			1					G
28	1	26106-060162	BOLT, M6X 16 PLATED			2					

Remarks  
(G) THESE PARTS ARE SOLD BY  
FIG.38, REF.NO.1.

N:Old  $\frac{New}{Old}$  New, Q:Old  $\frac{New}{Old}$  New, R:Old  $\frac{New}{Old}$  New, S:Old  $\frac{New}{Old}$  New, W:Add, Z:Discontinued, F:Interchangeable by set, K:Q'ty Change  
Copyright (C) YANMAR CO., LTD. All Rights Reserved.

Fig.22. FLYWHEEL HOUSING & OIL SUMP



(A)=3TNE84-AGD  
(B)=3TNE88-AGD  
(C)=4TNE88-AGD

(D)=4TNE84T-AGD  
(E)=  
(F)=

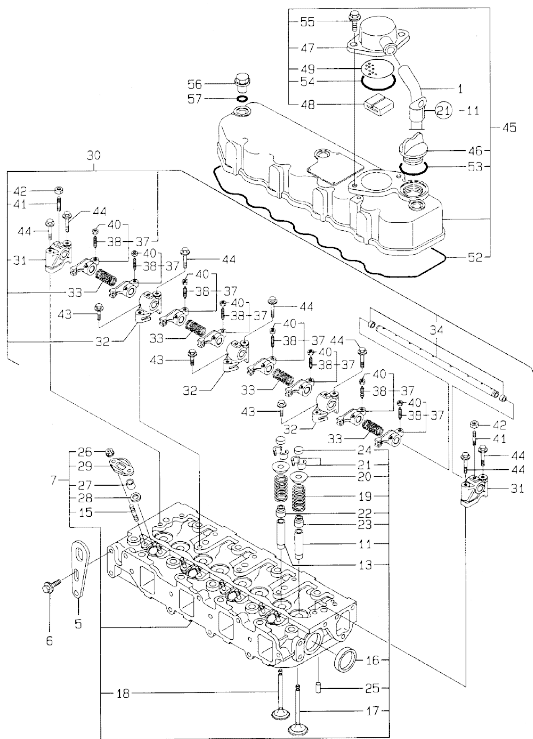
No.	Lev.	Parts No.	Description	Q'ty						I	R
				(A)	(B)	(C)	(D)	(E)	(F)		
1	1	129100-01580	PIN, M8X16			2					
2	1	171420-01600	HOUSING, FLYWHEEL			1					
3	1	119620-01750	CAP			1					
4	1	26206-100252	BOLT, M10X 25 PLATED			6					
5	1	26206-100302	BOLT, M10X 30 PLATED			4					
6	1	129400-01730	SPACER, OIL SUMP			1					
8	1	129400-01770	SUMP ASSY, OIL			1					
9	2	119640-01640	PLUG, DRAIN M22			1					
11	2	22190-220002	WASHER, SEAL 22			1					
12	1	26106-080162	BOLT, M8X 16 PLATED			4					
13	1	26106-080252	BOLT, M8X 25 PLATED			2					
14	1	26106-080452	BOLT, M8X 45 PLATED			24					
14-1	1	26106-080452	BOLT, M8X 45 PLATED (C=FROM 1ST)			20					K
15	1	129100-01580	PIN, M8X16			2					
16	1	129100-01640	CASE ASSY, OIL SEAL			1					
18	2	129795-01780	SEAL, OIL			1					
19	1	26106-080302	BOLT, M8X 30 PLATED			6					
20	1	26106-080352	BOLT, M8X 35 PLATED			3					
21	1	26106-080502	BOLT, M8X 50 PLATED (C=FROM 1ST)			4					W

Fig.23. CYLINDER HEAD & BONNET

(A)=3TNE84-AGD (D)=4TNE84T-AGD  
 (B)=3TNE88-AGD (E)=  
 (C)=4TNE88-AGD (F)=

Y3065199  
 2.4TNE84, 86 (17)-AGD

23 シリンダヘッド & ボンネット  
 CYLINDER HEAD & BONNET



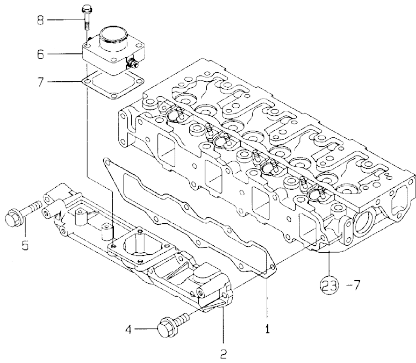
No.	Lev.	Parts No.	Description	Q'ty						I	R
				(A)	(B)	(C)	(D)	(E)	(F)		
1	1	171350-03090	PIPE, BREATHER 900				1				
5	1	124736-07900	LIFTER				2				
6	1	26106-080142	BOLT, M8X 14 PLATED				4				
7	1	129407-11700	HEAD ASSY, CYLINDER				1				
11	2	120130-11860	GUIDE, VALVE				4				1
13	2	129150-11810	GUIDE, VALVE				4				1
15	2	26216-060202	STUD, M6X 20				8				
16	2	27241-400000	PLUG, 40				2				
17	2	129100-11100	VALVE, INTAKE				4				
18	2	129100-11110	VALVE, EXHAUST				4				
19	2	129795-11120	SPRING, VALVE				8				
20	2	129795-11180	RETAINER, SPRING				8				
21	2	27310-080001	COTTER, 8				8				
22	2	121400-11340	SEAL, VALVE STEM				4				G
23	2	124460-11340	SEAL, VALVE STEM				4				G
24	2	129150-11370	CAP, VALVE				8				
25	2	22351-060012	PIN, SPRING 6.0X12				2				
26	2	26368-060002	NUT, M6				8				
27	2	119625-11871	PROTECTOR, NOZZLE				4				G
28	2	119625-11880	SEAT, NOZZLE				4				G
29	2	119625-11900	RETAINER, NOZZLE				4				
30	1	129500-11240	SHAFT ASSY, ROCKER				1				
31	2	129155-11260	SUPPORT, ROCKER ARM				2				
32	2	129155-11270	SUPPORT, ROCKER ARM				3				
33	2	129150-11280	SPRING				4				
34	2	129550-11290	SHAFT, ROCKER ARM				1				
37	2	129100-11650	ARM, ROCKER				8				
38	3	129150-11230	SCREW, VALVE ADJUST				8				
40	3	129150-11750	NUT, M8				8				
41	2	26226-080182	STUD, M8X 18				3				
42	2	26756-080002	NUT, LOCK M8				3				
43	1	26106-080252	BOLT, M8X 25 PLATED				3				
44	1	26106-080502	BOLT, M8X 50 PLATED				7				
45	1	129400-11350	BONNET ASSY, HEAD				1				
46	2	124160-01751	COVER, FILLER				1				
47	2	129150-03020	COVER, BREATHER				1				
48	2	129150-03070	BAFFLE, BREATHER				1				
49	2	129150-03080	PLATE, BAFFLE				1				
52	2	129550-11310	GASKET, BONNET				1				G
53	2	24311-000320	O-RING, 1AP32.0				1				G
54	2	24341-000500	O-RING, 1AS50.0				1				G
55	2	26106-080162	BOLT, M8X 16 PLATED				2				
56	1	124160-11360	KNOB				3				
57	1	24311-000120	O-RING, 1AP12.0				3				G

Remarks  
 (1) REPAIR PART.  
 (G) THESE PARTS ARE SOLD BY  
 FIG.38, REF.NO.1.

Fig.24. SUCTION MANIFOLD

Y00E5190  
3, 4TNE84, 88 (1) -AGD

24 吸気マニホールド  
SUCTION MANIFOLD



(A)=3TNE84-AGD  
(B)=3TNE88-AGD  
(C)=4TNE88-AGD

(D)=4TNE84T-AGD  
(E)=  
(F)=

No.	Lev.	Parts No.	Description	Q'ty						I	R		
				(A)	(B)	(C)	(D)	(E)	(F)				
1	1	129407-12110	GASKET, MANIFOLD			1							
2	1	129407-12120	MANIFOLD, AIR INTAKE			1							
4	1	26106-080202	BOLT, M8X 20 PLATED			6							
5	1	26106-080502	BOLT, M8X 50 PLATED			1							
6	1	129120-77501	HEATER			1							
7	1	129150-77511	GASKET			1							G
8	1	26106-080352	BOLT, M8X 35 PLATED			4							

Remarks  
(G) THESE PARTS ARE SOLD BY  
FIG.38, REF.NO.1.

N:Old  $\frac{New}{Old}$  New. Q:Old  $\frac{New}{Old}$  New. R:Old  $\frac{New}{Old}$  New. S:Old  $\frac{New}{Old}$  New. W:Add. Z:Discontinued. F:Interchangeable by set. K:Q'ty Change  
Copyright (C) YANMAR CO., LTD. All Rights Reserved.

Fig.25. EXHAUST MANIFOLD

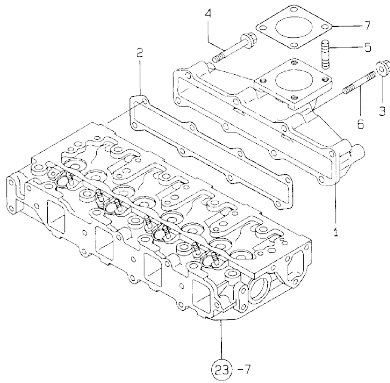
(A)=3TNE84-AGD  
(B)=3TNE88-AGD  
(C)=4TNE88-AGD

(D)=4TNE84T-AGD  
(E)=  
(F)=

Y0029133  
3, 4TNE84, 88 (T) - AGD

25 排気マニホールド  
EXHAUST MANIFOLD

No.	Lev.	Parts No.	Description	Q'ty						I	R
				(A)	(B)	(C)	(D)	(E)	(F)		
1	1	129407-13100	MANIFOLD, EXHAUST			1					
2	1	129407-13110	GASKET			1					G
3	1	194990-22050	NUT, M8			2					
4	1	26106-080402	BOLT, M8X 40 PLATED			6					
5	1	26216-080222	STUD, M8X 22			4					
6	1	26216-080402	STUD, M8X 40			2					
7	1	129400-13201	GASKET, SILENCER			1					G



Remarks  
(G) THESE PARTS ARE SOLD BY  
FIG.38, REF.NO.1.

N:Old  $\frac{Y00}{100}$  New, Q:Old  $\frac{H0}{100}$  New, R:Old  $\frac{Y00}{100}$  New, S:Old  $\frac{H0}{100}$  New, W:Add, Z:Discontinued, F:Interchangeable by set, K:Q'ty Change  
Copyright (C) YANMAR CO., LTD. All Rights Reserved.

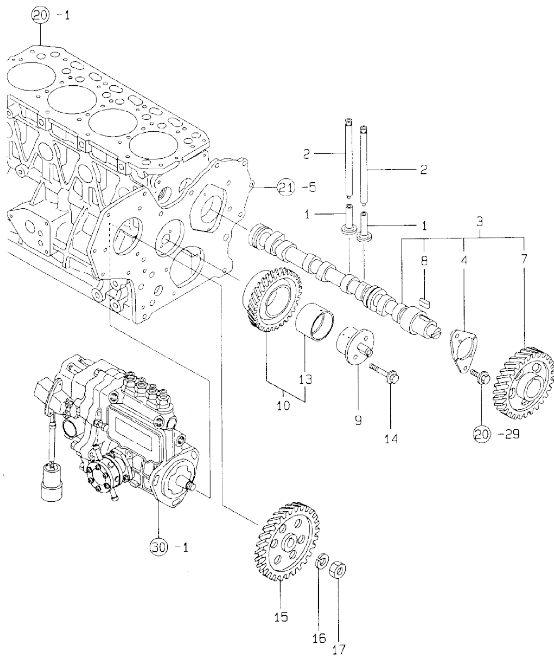
Fig.26. CAMSHAFT & DRIVING GEAR

(A)=3TNE84-AGD  
(B)=3TNE88-AGD  
(C)=4TNE88-AGD

(D)=4TNE84T-AGD  
(E)=  
(F)=

Y009519C  
3, 4TNE84, 88 (7) -AGD

26 カムシャフト & クランクギヤ  
CAMSHAFT & DRIVING GEAR



No.	Lev.	Parts No.	Description	Q'ty						I	R		
				(A)	(B)	(C)	(D)	(E)	(F)				
1	1	129150-14200	TAPPET										
2	1	129150-14400	ROD, PUSH L=178										
3	1	729402-14580	CAMSHAFT ASSY										
4	2	129150-02450	BEARING, THRUST										
7	2	129150-14101	GEAR, CAMSHAFT										
8	2	22512-070140	KEY, 7X 14										
9	1	129100-25061	SHAFT, IDLE										
10	1	129150-25101	GEAR ASSY, IDLE										
13	2	129150-25920	BUSH, IDLE GEAR										1
14	1	26106-080452	BOLT, M8X 45 PLATED										
15	1	129150-25900	GEAR, PUMP										
16	1	22217-120000	WASHER, SPRING 12										
17	1	26716-120002	NUT, M12										

Remarks  
(1) REPAIR PART.

N:Old  $\frac{New}{Old}$  New, Q:Old  $\frac{New}{Old}$  New, R:Old  $\frac{New}{Old}$  New, S:Old  $\frac{New}{Old}$  New, W:Add, Z:Discontinued, F:Interchangeable by set, K:Q'ty Change  
Copyright (C) YANMAR CO., LTD. All Rights Reserved.

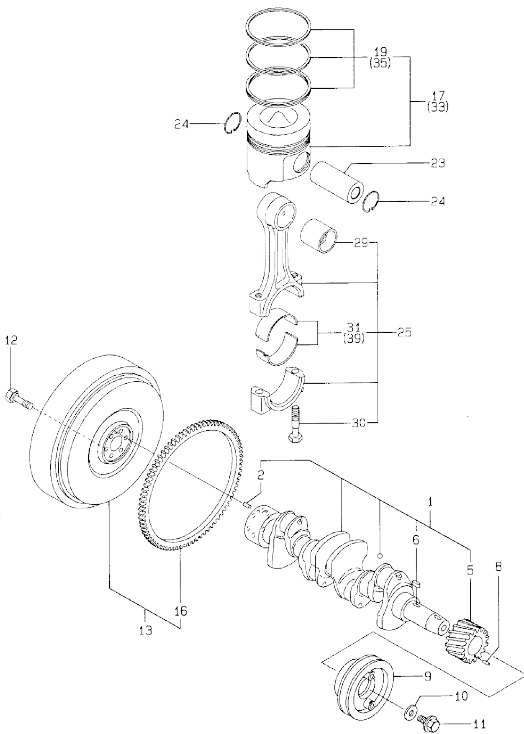
Fig.27. CRANKSHAFT & PISTON

(A)=3TNE84-AGD  
(B)=3TNE88-AGD  
(C)=4TNE88-AGD

(D)=4TNE84T-AGD  
(E)=  
(F)=

Y06H5190  
3, 4TNE84, 88 (11) -AGD

27 クランクシャフト & ピストン  
CRANKSHAFT & PISTON



No.	Lev.	Parts No.	Description	Q'ty						I	R		
				(A)	(B)	(C)	(D)	(E)	(F)				
1	1	129407-21000	CRANKSHAFT ASSY										
2	2	129100-01580	PIN, M8X16										
5	2	129150-21200	GEAR, CRANKSHAFT										
6	2	22512-070140	KEY, 7X 14										
8	1	22351-040010	PIN, SPRING 4.0X10										
9	1	171301-21650	V-PULLEY										
10	1	129795-21661	WASHER										
11	1	121850-21680	BOLT										
12	1	121111-21501	BOLT, FLYWHEEL										
13	1	171420-21590	FLYWHEEL ASSY										
16	2	124450-21600	GEAR, RING										
17	1	129001-22081	PISTON ASSY										
19	2	129001-22500	RING SET, PISTON										
23	1	129202-22300	PIN, PISTON D26 L70										
24	1	22252-000260	RING, 26										
25	1	729402-23100	ROD ASSY, CONNECTING										
29	2	129100-23910	BEARING, PISTON PIN										1
30	2	121550-23200	BOLT, CONNECTING ROD										
31	2	129150-23600	BEARING, CRANK PIN										
33	1	129001-22901	PISTON ASSY, 0.25 OS										2
35	2	129001-22950	RING SET, 0.25 OS										2
39	1	129150-23610	BEARING, 0.25 US										3

Remarks  
(1) REPAIR PART.  
(2) OVER-SIZE (O.S=0.25) PART.  
(3) UNDER-SIZE (U.S=0.25) PART.



OCB10-M51900 ENGINE SECTION(4TNE88-AGD)  
 Fig.28. LUB.OIL SYSTEM

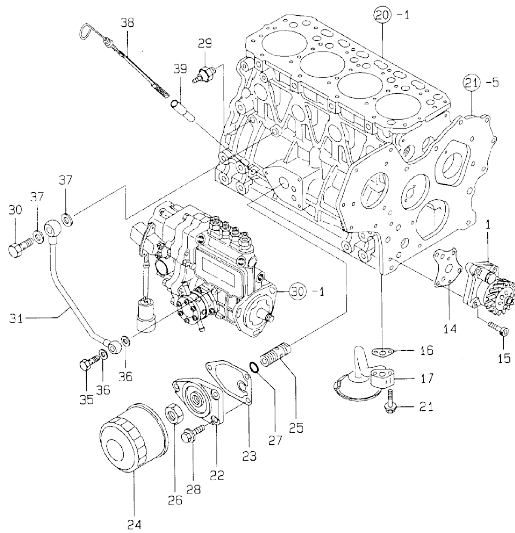
OCB10-M51900 Fig.28

(A)=3TNE84-AGD  
 (B)=3TNE88-AGD  
 (C)=4TNE88-AGD

(D)=4TNE84T-AGD  
 (E)=  
 (F)=

Y00B5190  
 3, 4TNE84, 88 (1) -AGD

28 LUB.OIL SYSTEM



No.	Lev.	Parts No.	Description	Q'ty						I	R	
				(A)	(B)	(C)	(D)	(E)	(F)			
1	1	129407-32000	PUMP ASSY, OIL									
14	1	129150-32020	GASKET, PUMP									G
15	1	26450-060252	BOLT, M6X 25									
16	1	129150-35041	GASKET									G
17	1	129436-35090	PIPE ASSY, OIL INLET									
21	1	26106-080352	BOLT, M8X 35 PLATED									
22	1	129150-35101	BRACKET, STRAINER									
23	1	129150-35111	GASKET									G
24	1	129150-35151	FILTER, D80XL80									
25	1	129001-35300	BOLT, FILTER									
26	1	129150-35350	NUT									
27	1	24311-000160	O-RING, 1AP16.0									G
28	1	26106-080202	BOLT, M8X 20 PLATED									
29	1	124160-39450	SWITCH, 0.5KG									
30	1	124160-39140	BOLT, PIPE JOINT M10									
31	1	129550-39450	PIPE ASSY, OIL									
35	1	124550-59820	BOLT, PIPE JOINT M8									
36	1	22190-080002	WASHER, SEAL 6									G
37	1	23414-100000	GASKET, 10X1.0									G
38	1	129136-34800	DIPSTICK, OIL									
39	1	121520-34810	GUIDE, DIPSTICK									

Remarks  
 (G) THESE PARTS ARE SOLD BY  
 FIG.38, REF.NO.1.

N:Old  $\frac{100}{100}$  New, Q:Old  $\frac{100}{100}$  New, R:Old  $\frac{100}{100}$  New, S:Old  $\frac{100}{100}$  New, W:Add, Z:Discontinued, F:Interchangeable by set, K:Q'ty Change  
 Copyright (C) YANMAR CO., LTD. All Rights Reserved.

OCB10-M51900 ENGINE SECTION(4TNE88-AGD)  
**Fig.29. COOLING WATER SYSTEM**

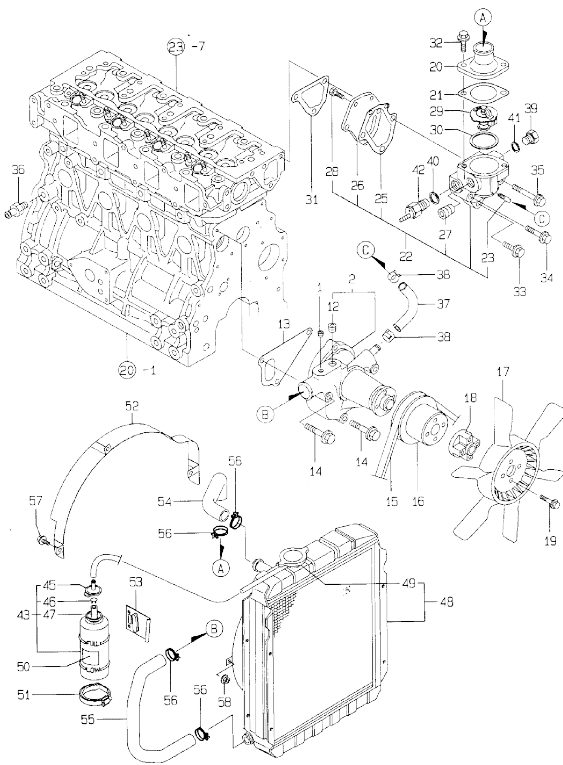
OCB10-M51900 Fig.29

(A)=3TNE84-AGD  
 (B)=3TNE88-AGD  
 (C)=4TNE88-AGD

(D)=4TNE84T-AGD  
 (E)=  
 (F)=

Y0065190  
 3, 4TNE84, 88 (1)-AGD

29 冷却水システム  
 COOLING WATER SYSTEM



No.	Lev.	Parts No.	Description	Q'ty						I	R
				(A)	(B)	(C)	(D)	(E)	(F)		
1	1	121850-11860	PLUG, PT1/4				1				
2	1	129100-42002	PUMP ASSY, WATER				1				
12	2	23871-030000	PLUG, R03				1				
13	1	129100-42020	GASKET, WATER PUMP				1				G
14	1	26106-080602	BOLT, M8X 60 PLATED				3				
15	1	124732-42290	V-BELT, AX37				1				
16	1	129155-42350	V-PULLEY				1				
17	1	129432-44740	FAN, COOLING D370XEF				1				
18	1	171353-44760	SPACER, FAN				1				
19	1	26106-060352	BOLT, M6X 35 PLATED				4				
20	1	129350-49530	COVER, THERMOSTAT				1				
21	1	129795-49551	GASKET				1				G
22	1	129100-49800	CASE ASSY, THERMOSTAT				1				
23	2	124770-11770	JOINT, PIPE PT1/8				1				
25	2	129100-49820	GASKET				1				
26	2	129100-49830	COVER, THERMOSTAT				1				
27	2	23871-030000	PLUG, R03				1				
28	2	26116-060162	BOLT, M6X 16 PLATED				2				
29	1	129155-49800	THERMOSTAT, 71				1				
30	1	129150-49811	GASKET, THERMOSTAT				1				G
31	1	129100-49840	GASKET				1				G
32	1	26106-080202	BOLT, M8X 20 PLATED				2				
33	1	26106-080252	BOLT, M8X 25 PLATED				1				
34	1	26106-080502	BOLT, M8X 50 PLATED				1				
35	1	26106-080602	BOLT, M8X 60 PLATED				1				
36	1	121550-49111	JOINT, PT1/4				1				
37	1	129132-49050	PIPE, WATER				1				
38	1	23000-016000	CLAMP, 16				2				
39	1	121450-42450	PLUG, M16				1				
40	1	124465-44950	GASKET, 16				1				G
41	1	124465-44950	GASKET, 16				1				G
42	1	121250-44901	SWITCH, 110				1				
43	1	124450-44510	TANK ASSY, SUB				1				
45	2	124450-44530	CAP				1				
46	2	124450-44560	RETAINER				1				
47	2	23061-070230	PIPE, 7X 230				1				
48	1	129411-44510	RADIATOR				1				
49	2	124450-44590	CAP, RADIATOR				1				
50	1	121470-44540	LABEL, SUB-TANK				1				
51	1	124450-44550	BAND				1				
52	1	129411-44560	PROTECTOR, FAN				1				
53	1	121256-44600	BRACKET, SUB TANK				1				
54	1	171420-49010	PIPE, WATER				1				
55	1	171420-49020	PIPE, WATER				1				
56	1	23010-038000	CLAMP, 38				4				
57	1	26014-080202	BOLT, M8X 20				3				
58	1	26366-080002	NUT, M8				3				

Remarks  
 (G) THESE PARTS ARE SOLD BY  
 FIG.38, REF.NO.1.

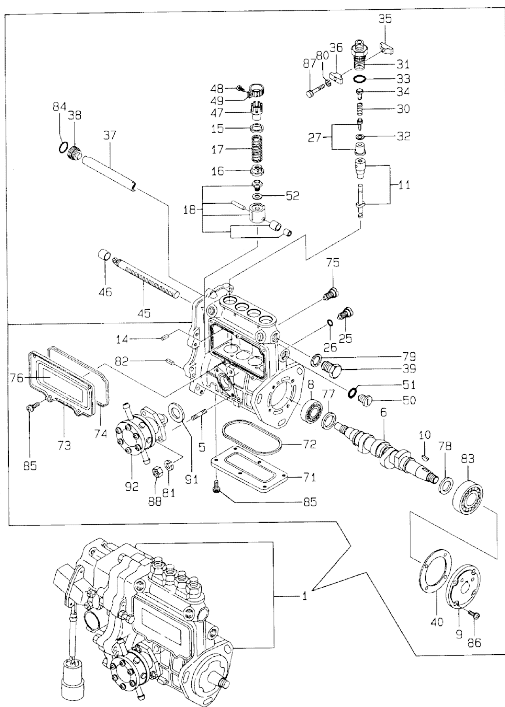
N:Old  $\frac{100}{100}$  New, Q:Old  $\frac{100}{100}$  New, R:Old  $\frac{100}{100}$  New, S:Old  $\frac{100}{100}$  New, W:Add, Z:Discontinued, F:Interchangeable by set, K:Q'ty Change  
 Copyright (C) YANMAR CO., LTD. All Rights Reserved.

Fig.30. FUEL INJECTION PUMP

(A)=3TNE84-AGD (D)=4TNE84T-AGD  
 (B)=3TNE88-AGD (E)=  
 (C)=4TNE88-AGD (F)=

Y005190  
 3, 4TNE84, 88 (17) - AGD

30 F0 フォントポンプ  
 FUEL INJECTION PUMP



No.	Lev.	Parts No.	Description	Q'ty						I	R
				(A)	(B)	(C)	(D)	(E)	(F)		
1	1	729611-51210	PUMP ASSY, INJECTION			1					1
5	2	129155-51020	STUD			2					
6	2	129470-51040	CAMSHAFT			1					
8	2	129155-51050	BEARING, 17BM001D			1					
9	2	129155-51060	SUPPORT, CAMSHAFT			1					
10	2	122710-51090	KEY			1					
11	2	129506-51100	PLUNGER ASSY			4					
14	2	129155-51140	PIN			4					
15	2	174307-51170	RETAINER, SPRING A			4					
16	2	129155-51180	RETAINER, SPRING			4					
17	2	124950-51190	SPRING, PLUNGER			4					
18	2	129155-51200	TAPPET ASSY			4					
25	2	129155-51270	STOPPER, TAPPET			4					
26	2	129155-51280	O-RING, S6			4					
27	2	129100-51300	VALVE ASSY, DELIVERY			4					
30	2	129155-51320	SPRING, DELIVERY			4					
31	2	129155-51340	RETAINER			4					
32	2	124550-51350	GASKET, DELIVERY			4					
33	2	124550-51370	O-RING			4					
34	2	129155-51370	STOPPER, VALVE			4					
35	2	129155-51380	STOPPER			2					
36	2	129155-51390	STOPPER			2					
37	2	129555-51400	DEFLECTOR			1					
38	2	129155-51410	BOLT			1					
39	2	129155-51420	PLUG, M16			1					
40	2	129155-51450	SHIM SET, ADJUSTING			1					
45	2	129555-51500	RACK, CONTROL			1					
46	2	129155-51521	BUSH, RACK			1					
47	2	129155-51550	PINION, CONTROL			4					
48	2	122117-51560	SCREW			4					
49	2	174307-51560	PINION			4					
50	2	129155-51570	PLUG, M12			1					
51	2	129155-51580	O-RING			1					
52	2	129155-51600	SHIM SET, ADJUSTING			4					
71	2	129555-51700	COVER			1					
72	2	129555-51710	GASKET			1					
73	2	129555-51750	COVER			1					
74	2	129555-51760	GASKET			1					
75	2	129155-51790	STOOPER, RACK			1					
76	2	129156-51910	LABEL, CAUTION			1					
77	2	129155-51930	SPACER, T=3.25			1					
78	2	129155-51940	SPACER, T=1.5			1					
79	2	22190-160002	WASHER, SEAL 16			1					
80	2	22217-050000	WASHER, SPRING 5			2					
81	2	22217-060000	WASHER, SPRING 6			2					
82	2	22351-050010	PIN, SPRING 5.0X10			2					
83	2	24101-063034	BEARING, BALL 6303			1					
84	2	24341-000160	O-RING, 1AS16.0			1					
85	2	26022-050102	SCREW, M5X10			11					
86	2	26022-060162	SCREW, M6X16			4					
87	2	26116-050302	BOLT, M5X30 PLATED			2					

Remarks  
 (1) GOVERNOR ASSY(FIG.NO.31) IS  
 INCORPORATED IN THIS FUEL  
 INJECTION PUMP ASSY(REF.NO.1).  
 (G) THESE PARTS ARE SOLD BY FIG.38,  
 REF.NO.1.

N:Old  $\frac{100}{100}$  New, Q:Old  $\frac{100}{100}$  New, R:Old  $\frac{100}{100}$  New, S:Old  $\frac{100}{100}$  New, W:Add, Z:Discontinued, F:Interchangeable by set, K:Q'ty Change  
 ++ CONTINUE ++  
 Copyright (C) YANMAR CO., LTD. All Rights Reserved.

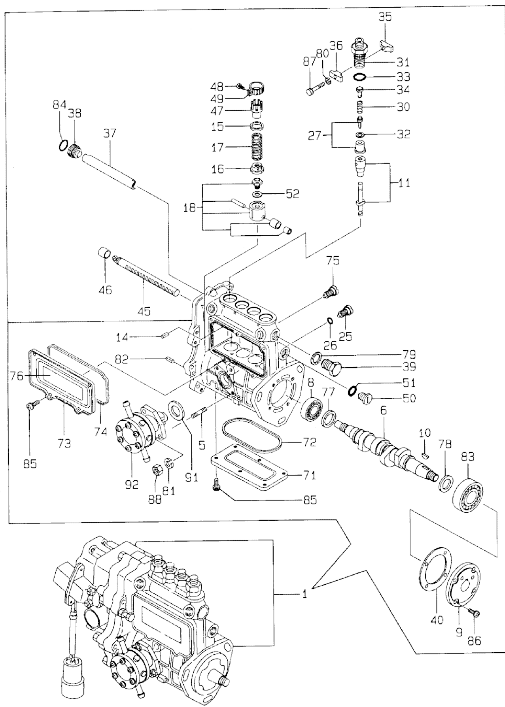
Fig.30. FUEL INJECTION PUMP

(A)=3TNE84-AGD  
(B)=3TNE88-AGD  
(C)=4TNE88-AGD

(D)=4TNE84T-AGD  
(E)=  
(F)=

Y005190  
3, 4TNE84, 88 (7) - AGD

30 F0 フuelポンプ  
FUEL INJECTION PUMP



No.	Lev.	Parts No.	Description	Q'ty						I	R	
				(A)	(B)	(C)	(D)	(E)	(F)			
88	2	26716-060002	NUT, M6			2						
91	2	129155-52050	GASKET			1						G
92	2	129100-52100	PUMP ASSY, FUEL FEED			1						

Remarks  
(1) GOVERNOR ASSY(FIG.NO.31) IS INCORPORATED IN THIS FUEL INJECTION PUMP ASSY(REF.NO.1).  
(G) THESE PARTS ARE SOLD BY FIG.38, REF.NO.1.

Fig.31. GOVERNOR

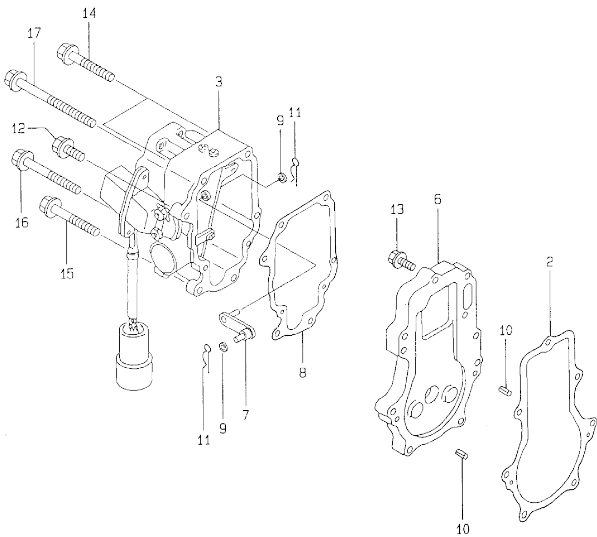
(A)=3TNE84-AGD  
(B)=3TNE88-AGD  
(C)=4TNE88-AGD

(D)=4TNE84T-AGD  
(E)=  
(F)=

Y0205190  
3 4TNE84, 88 (1) - AGD

31 弁  
GOVERNOR

No.	Lev.	Parts No.	Description	Q'ty						I	R
				(A)	(B)	(C)	(D)	(E)	(F)		
2	2	129116-61051	GASKET			1					
3	2	119649-61100	ACTUATOR			1					
6	2	129116-61110	SPACER			1					
7	2	129116-61120	LINK			1					
8	2	119649-61151	GASKET			1					
9	2	22117-040000	WASHER, 4			2					
10	2	22351-040010	PIN, SPRING 4.0X10			2					
11	2	22360-050000	SNAP PIN 5			2					
12	2	26106-060202	BOLT, M6X 20 PLATED			1					
13	2	26106-060222	BOLT, M6X 22 PLATED			7					
14	2	26106-060452	BOLT, M6X 45 PLATED			2					
15	2	26106-060602	BOLT, M6X 60 PLATED			1					
16	2	26106-060702	BOLT, M6X 70 PLATED			1					
17	2	26106-060852	BOLT, M6X 85 PLATED			1					



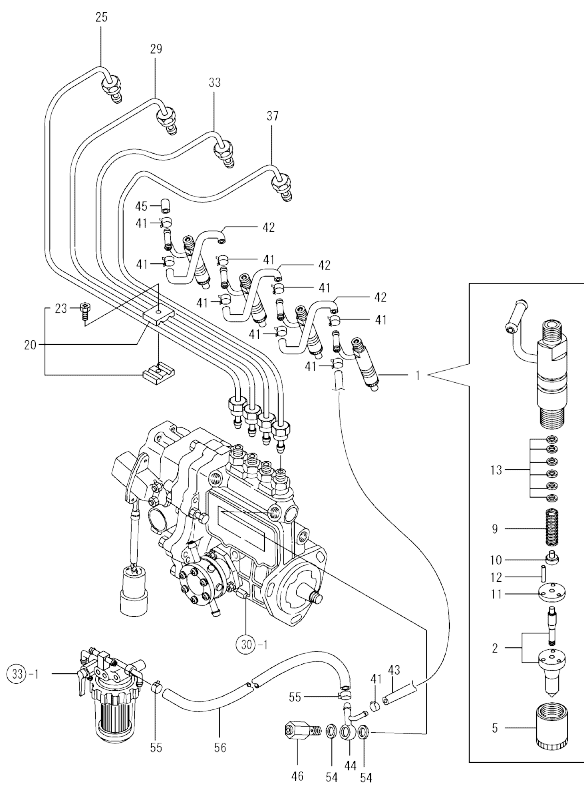
N:Old  $\frac{100}{100}$  New, Q:Old  $\frac{100}{100}$  New, R:Old  $\frac{100}{100}$  New, S:Old  $\frac{100}{100}$  New, W:Add, Z:Discontinued, F:Interchangeable by set, K:Q'ty Change  
Copyright (C) YANMAR CO., LTD. All Rights Reserved.

OCB10-M51900 ENGINE SECTION(4TNE88-AGD)  
 Fig.32. FUEL INJECTION VALVE

OCB10-M51900 Fig.32

(A)=3TNE84-AGD  
 (B)=3TNE88-AGD  
 (C)=4TNE88-AGD

(D)=4TNE84T-AGD  
 (E)=  
 (F)=



No.	Lev.	Parts No.	Description	Q'ty						I	R	
				(A)	(B)	(C)	(D)	(E)	(F)			
1	1	719810-53100	VALVE ASSY, INJECTION									
2	2	119810-53000	VALVE ASSY, INJECTION									
5	2	114250-53080	NUT, NOZZLE D16.95									
9	2	114250-53120	SPRING, NOZZLE									
10	2	114250-53130	SEAT, SPRING									
11	2	114250-53140	PLATE									
12	2	114250-53210	PIN									
13	2	114250-53400	SHIM SET									
20	1	119305-59120	RETAINER, PIPE									
23	2	129150-59131	BOLT, M4X14									
25	1	129408-59810	PIPE ASSY, INJECTION									
29	1	129408-59820	PIPE ASSY, INJECTION									
33	1	129408-59830	PIPE ASSY, INJECTION									
37	1	129408-59840	PIPE ASSY, INJECTION									
41	1	124066-59100	CLIP, HOSE 8									
42	1	121250-59550	PIPE, FUEL D8X120									
43	1	119840-59560	PIPE, FUEL RETURN									
44	1	119840-59570	JOINT									
45	1	129150-59580	CAP									
46	1	129100-59951	VALVE ASSY, CHECK									
54	1	23414-120000	GASKET, 12X1.0									G
55	1	124766-59050	CLIP, HOSE 12									
56	1	105025-59530	PIPE, FUEL D13X400									

Remarks  
 (G) THESE PARTS ARE SOLD BY  
 FIG.38, REF.NO.1.

N:Old  $\frac{100}{100}$  New, Q:Old  $\frac{100}{100}$  New, R:Old  $\frac{100}{100}$  New, S:Old  $\frac{100}{100}$  New, W:Add, Z:Discontinued, F:Interchangeable by set, K:Q'ty Change  
 Copyright (C) YANMAR CO., LTD. All Rights Reserved.

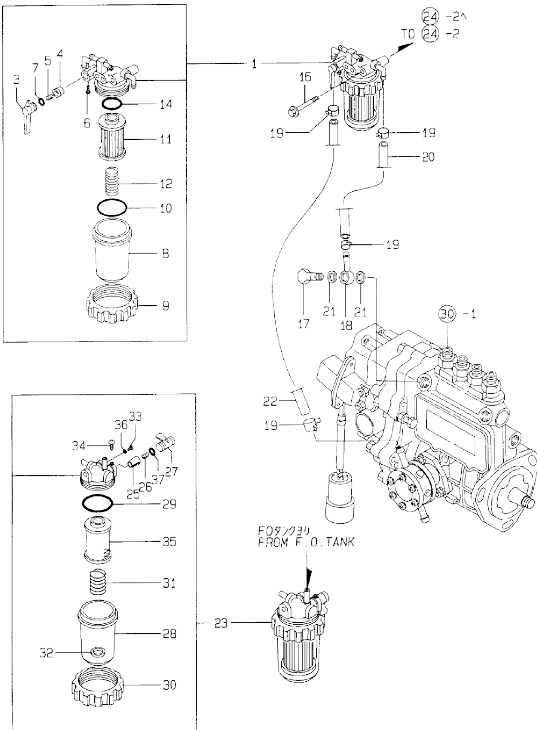
Fig.33. FUEL LINE

(A)=3TNE84-AGD  
(B)=3TNE88-AGD  
(C)=4TNE88-AGD

(D)=4TNE84T-AGD  
(E)=  
(F)=

Y0665190  
3, 4TNE84, 88 (17) -AGD

33 FUEL LINE



No.	Lev.	Parts No.	Description	Q'ty						I	R		
				(A)	(B)	(C)	(D)	(E)	(F)				
1	1	129052-55620	FILTER ASSY, FUEL										
3	2	129100-55670	LEVER										
4	2	104200-55321	VALVE, TAPER										
5	2	104200-55330	SPRING, VALVE										
6	2	104200-55750	SCREW, M4										
7	2	24311-240100	O-RING, 1AP10A										
8	2	129100-55680	CUP, STRAINER										
9	2	129100-55690	RING, RETAINING										
10	2	24321-000650	O-RING, 1AG65.0										G
11	2	129100-55650	ELEMENT										
12	2	129100-55700	SPRING										
14	2	24311-000160	O-RING, 1AP16.0										
16	1	26014-080702	BOLT, M8X 70										
17	1	103854-39140	BOLT, PIPE JOINT										
18	1	101304-59020	JOINT, PIPE 12										
19	1	124766-59050	CLIP, HOSE 12										
20	1	129555-59510	PIPE, D13/7.5X180										
21	1	104200-59170	GASKET, 12										G
22	1	105025-59530	PIPE, FUEL D13X400										
23	1	121257-55700	SEPARATOR, WATER										
25	2	104200-55321	VALVE, TAPER										
26	2	104200-55330	SPRING, VALVE										
27	2	104200-55341	HANDLE										
28	2	121254-55510	COVER										
29	2	102103-55520	O-RING										
30	2	110250-55610	RING, RETAINING										
31	2	121257-55720	SPRING										
32	2	121257-55731	FLOAT										
33	2	101720-55750	PLUG, 6										
34	2	104200-55750	SCREW, M4										
35	2	171081-55910	SCREEN										
36	2	23418-060000	GASKET, 6X1.0										
37	2	24311-240100	O-RING, 1AP10A										

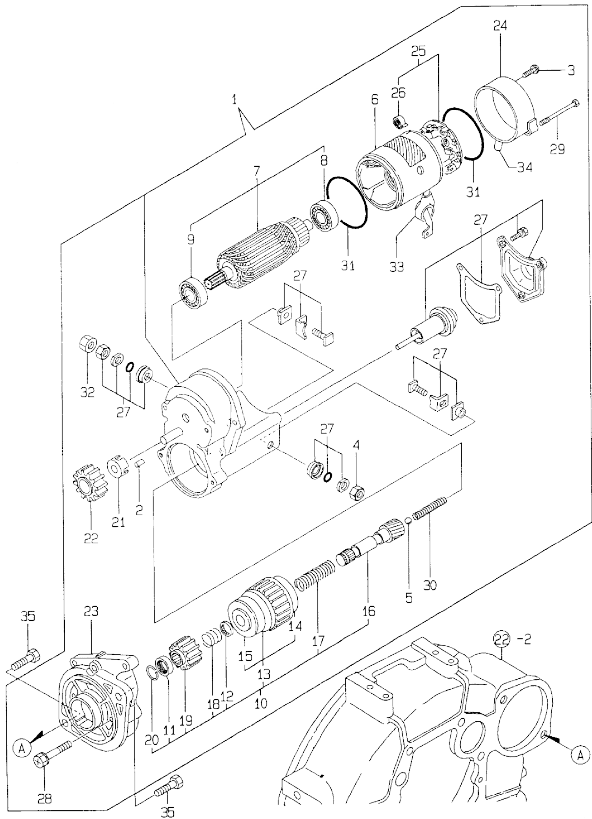
Remarks  
(G) THESE PARTS ARE SOLD BY  
FIG.38, REF.NO.1.

N:Old  $\frac{New}{Old}$  New, Q:Old  $\frac{New}{Old}$  New, R:Old  $\frac{New}{Old}$  New, S:Old  $\frac{New}{Old}$  New, W:Add, Z:Discontinued, F:Interchangeable by set, K:Qty Change  
Copyright (C) YANMAR CO., LTD. All Rights Reserved.

Fig.34. STARTING MOTOR

Y0095190  
3, 4TNE84, 88 (1) -AGD

34 スタートモーター  
STARTING MOTOR



(A)=3TNE84-AGD  
(B)=3TNE88-AGD  
(C)=4TNE88-AGD

(D)=4TNE84T-AGD  
(E)=  
(F)=

No.	Lev.	Parts No.	Description	Q'ty						I	R	
				(A)	(B)	(C)	(D)	(E)	(F)			
1	1	129407-77010	STARTER, RA1.4								1	
2	2	X0283060061	ROLLER								5	
3	2	X0289030010	SCREW								2	
4	2	X9490561370	NUT								1	
5	2	X9491200240	BALL								1	
6	2	129407-77210	YOKE ASSY								1	
7	2	129407-77220	ARMATURE ASSY								1	
8	3	129129-77230	BEARING								1	
9	3	129129-77240	BEARING								1	
10	2	129407-77250	STARTER								1	
11	3	X0280210230	NUT								1	
12	3	X0283270140	RETAINER								1	
13	3	129407-77390	CLUTCH ASSY								1	
14	4	129129-77440	BEARING, BALL								1	
15	4	129129-77450	BEARING, BALL								1	
16	3	129129-77400	SHAFT								1	
17	3	129129-77410	SPRING, COIL								1	
18	3	129407-77410	SPRING								1	
19	3	129129-77420	PINION, STARTER								1	
20	3	129129-77430	RING								1	
21	2	129129-77260	RETAINER								1	
22	2	129129-77270	PINION								1	
23	2	129407-77280	HOUSING								1	
24	2	129129-77290	FRAME								1	
25	2	129407-77300	HOLDER ASSY								1	
26	3	X9491730461	SPRING								4	
27	2	129407-77310	SWITCH ASSY								1	
28	2	129129-77320	BOLT								2	
29	2	129407-77330	BOLT								2	
30	2	129129-77340	SPRING								1	
31	2	129129-77350	O-RING								2	
32	2	129129-77370	NUT								1	
33	2	129129-77380	CAP								1	
34	2	129129-77361	BUSH								1	
35	1	26116-120252	BOLT, M12X 25 PLATED								2	



Fig.35. GENERATOR

(A)=3TNE84-AGD  
 (B)=3TNE88-AGD  
 (C)=4TNE88-AGD

(D)=4TNE84T-AGD  
 (E)=  
 (F)=

No.	Lev.	Parts No.	Description	Q'ty						I	R
				(A)	(B)	(C)	(D)	(E)	(F)		
1	1	121450-01570	BOLT, STUD								
2	1	129150-77202	GENERATOR								
2-1	1	129150-77203	DINAMO ASSY								N
			(C=EXXXXX)								
3	2	XM219230000	WASHER, SPRING								
4	2	XM329830000	COLLAR								
5	2	XM860250000	WASHER, 10								
6	2	XM863720000	NUT								
7	2	129150-77210	PLATE ASSY								
8	3	XM069000000	CLAMP								
9	3	XM081780000	STATOR								
10	3	XM178780000	COUPLER								
11	3	XYSPS400800	SCREW								
12	3	XYSPS402400	SCREW								
15	2	129150-77230	FLYWHEEL ASSY								
15-1	2	129150-77280	FLYWHEEL ASSY (C=EXXXXX)								N
16	1	26366-100002	NUT, M10								
17	1	129410-77330	ADJUSTER, BELT								
18	1	26014-080252	BOLT, M8X 25								

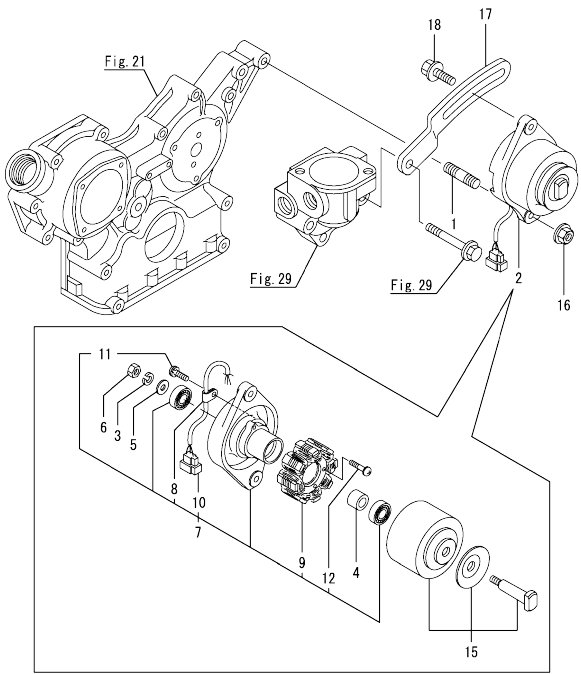
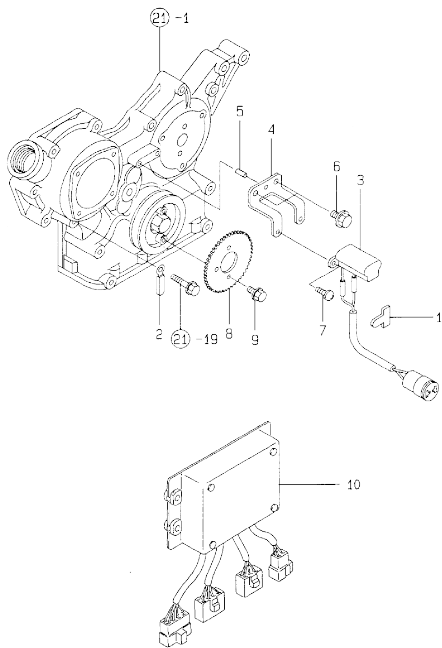


Fig.36. PULSER

Y00B5190  
3, 4TNE84, 66 (1) -AGD

36 パルサー  
PULSER



(A)=3TNE84-AGD  
(B)=3TNE88-AGD  
(C)=4TNE88-AGD

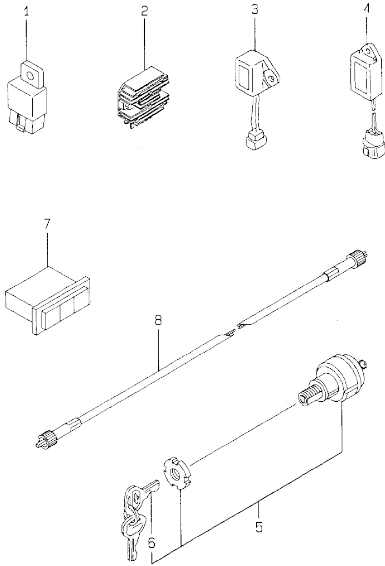
(D)=4TNE84T-AGD  
(E)=  
(F)=

No.	Lev.	Parts No.	Description	Q'ty					
				(A)	(B)	(C)	(D)	(E)	(F)
1	1	172010-08160	STICKER, WIRE						1
2	1	194180-51640	CLAMP, HARNESS						1
3	1	119649-78500	PULSAR						1
4	1	129116-78510	BRACKET, PULSAR						1
5	1	22351-040010	PIN, SPRING 4.0X10						1
6	1	26116-060122	BOLT, M6X 12 PLATED						2
7	1	26557-040082	SCREW, M4X 8						2
8	1	119649-78650	GEAR, PULSAR						1
9	1	26106-100142	BOLT, M10X 14 PLATED						2
10	1	129111-78802	CONTROLLER, MAIN 4P						1

Fig.37. ELECTRIC PARTS

Y0065190  
3, 4TNE84, 88 (T) -AGD

37 電気部品  
ELECTRIC PARTS



(A)=3TNE84-AGD  
(B)=3TNE88-AGD  
(C)=4TNE88-AGD

(D)=4TNE84T-AGD  
(E)=  
(F)=

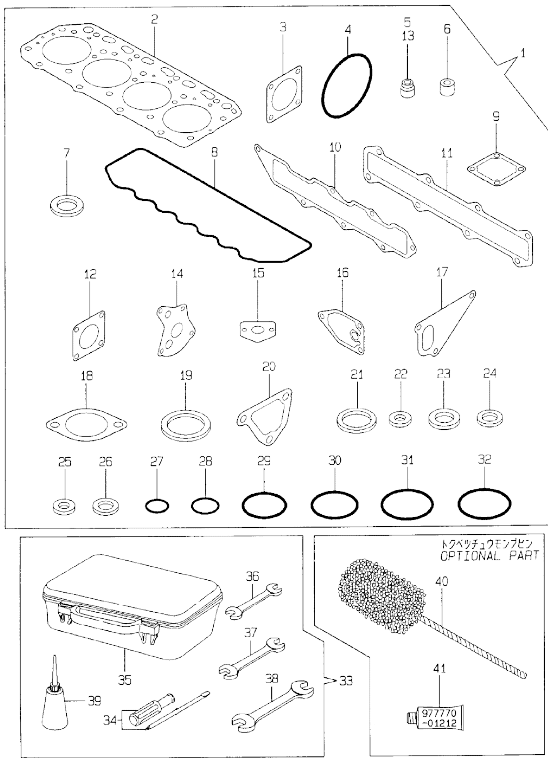
No.	Lev.	Parts No.	Description	Q'ty						I	R
				(A)	(B)	(C)	(D)	(E)	(F)		
1	1	119247-77100	RELAY, SAFETY	1							
2	1	119640-77711	LIMITER, CURRENT	1							
3	1	121522-77721	INDICATOR	1							
4	1	128300-77920	TIMER	1							
5	1	121400-91251	SWITCH, STARTER	1							
6	2	121400-91271	KEY, SWITCH	1							
7	1	129411-91310	LAMP	1							
7A	2	129411-91360	BULB, 12V-3.4W	6							W
8	1	194185-56900	CABLE ASSY, METER	1							

Fig.38. GASKET SET(OPTIONAL) & TOOL

(A)=3TNE84-AGD (D)=4TNE84T-AGD  
 (B)=3TNE88-AGD (E)=  
 (C)=4TNE88-AGD (F)=

YCG95190  
 3, 4TNE84, BB(T) AGD

38 ガッキンセット(オプション) & ツグ  
 GASKET SET(OPTIONAL) & TOOL



No.	Lev.	Parts No.	Description	Q'ty						I	R	
				(A)	(B)	(C)	(D)	(E)	(F)			
1	1	729611-92600	GASKET SET								1	
2	2	129407-01340	GASKET, HEAD									
3	2	124240-01883	GASKET									
4	2	121850-51960	O-RING									
5	2	124460-11340	SEAL, VALVE STEM									
6	2	119625-11871	PROTECTOR, NOZZLE									
7	2	119625-11880	SEAT, NOZZLE									
8	2	129550-11310	GASKET, BONNET									
9	2	129150-77511	GASKET									
10	2	129407-12110	GASKET, MANIFOLD									
11	2	129407-13110	GASKET									
12	2	129400-13201	GASKET, SILENCER									
13	2	121400-11340	SEAL, VALVE STEM									
14	2	129150-32020	GASKET, PUMP									
15	2	129150-35041	GASKET									
16	2	129150-35111	GASKET									
17	2	129100-42020	GASKET, WATER PUMP									
18	2	129795-49551	GASKET									
19	2	129150-49811	GASKET, THERMOSTAT									
20	2	129100-49840	GASKET									
21	2	129155-52050	GASKET									
22	2	104200-59170	GASKET, 12									
23	2	22190-080002	WASHER, SEAL 6									
24	2	23414-100000	GASKET, 10X1.0									
25	2	124465-44950	GASKET, 16									
26	2	23414-120000	GASKET, 12X1.0									
27	2	24311-000120	O-RING, 1AP12.0									
28	2	24311-000160	O-RING, 1AP16.0									
29	2	24311-000320	O-RING, 1AP32.0									
30	2	24341-000240	O-RING, 1AS24.0									
31	2	24341-000500	O-RING, 1AS50.0									
32	2	24321-000650	O-RING, 1AG65.0									
33	1	171001-93100	BOX, TOOL									
34	2	104200-92350	DRIVER, SCREW									
35	2	104200-92600	BOX, TOOL									
36	2	28110-100120	SPANNER, 10X12									
37	2	28110-140170	SPANNER, 14X17									
38	2	28110-190220	SPANNER, 19X22									
39	2	28210-000140	OILER									
40	1	129400-92420	HONE									
41	1	977770-01212	GASKET, LIQUID									

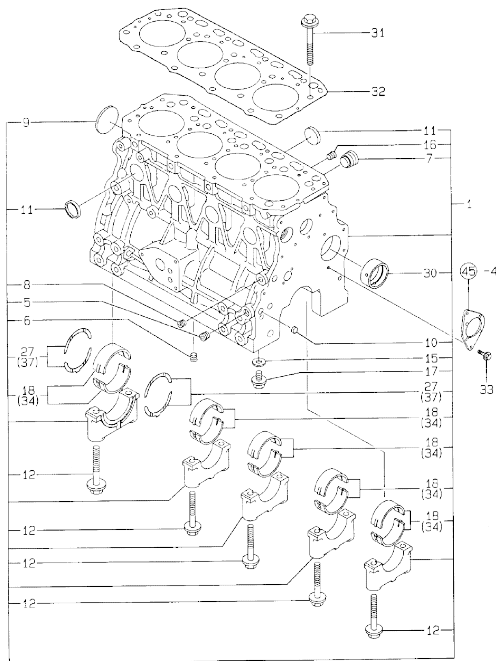
Remarks  
 (1) OPTIONAL PART.

N:Old  $\frac{100}{100}$  New, Q:Old  $\frac{100}{100}$  New, R:Old  $\frac{100}{100}$  New, S:Old  $\frac{100}{100}$  New, W:Add, Z:Discontinued, F:Interchangeable by set, K:Q'ty Change  
 Copyright (C) YANMAR CO., LTD. All Rights Reserved.

Fig.39. CYLINDER BLOCK

Y0065190  
3, 4TNE84, 86 (7) -AGD

39 シリンダブロック  
CYLINDER BLOCK



(A)=3TNE84-AGD  
(B)=3TNE88-AGD  
(C)=4TNE88-AGD

(D)=4TNE84T-AGD  
(E)=  
(F)=

No.	Lev.	Parts No.	Description	Q'ty						I	R	
				(A)	(B)	(C)	(D)	(E)	(F)			
1	1	729408-01560	BLOCK ASSY, CYLINDER									
5	2	124160-01910	PLUG, PT1/4						2			
6	2	124160-01910	PLUG, PT1/4						1			
7	2	171051-01921	PLUG, NPTF1						1			
8	2	23871-010000	PLUG, R01						1			
9	2	27231-500000	PLUG 50						1			
10	2	27241-120000	PLUG, 12						2			
11	2	27241-300000	PLUG 30						8			
12	2	129150-02020	BOLT, METAL CAP						10			
15	2	23414-080000	GASKET, 8X1.0						4			
16	2	23871-030000	PLUG, R03						1			
17	2	26106-080122	BOLT, M8X 12 PLATED						4			
18	2	129001-02800	BEARING, MAIN						5			
27	2	129150-02930	BEARING, THRUST						2			
30	2	129795-02411	BUSH, CAMSHAFT						1			
31	1	129150-01200	BOLT, HEAD						18			
32	1	129408-01330	GASKET, HEAD						1			G
33	1	26106-080162	BOLT, M8X 16 PLATED						2			
34	1	129150-02870	BEARING, 0.25 US						5			1
37	1	129150-02940	BEARING, THRUST 0.25						2			2

Remarks

- (1) UNDER-SIZED(U.S=0.25)PART.
- (2) OVER-SIZED(O.S=0.25)PART.
- (G) THESE PARTS ARE SOLD BY FIG.59,REF.NO.1.

OCB10-M51900 ENGINE SECTION(4TNE84T-AGD)  
 Fig.40. GEAR HOUSING

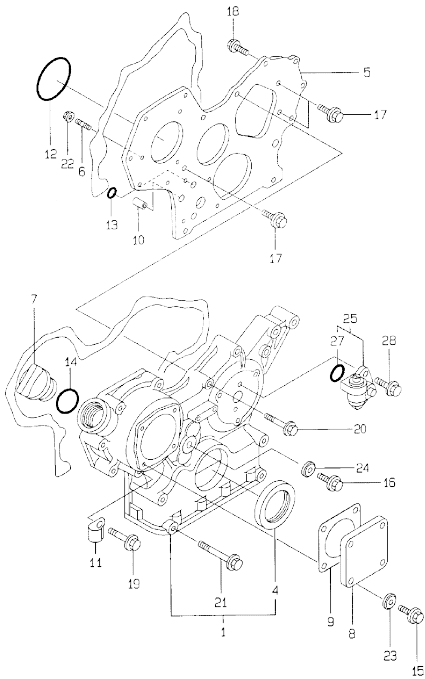
OCB10-M51900 Fig.40

(A)=3TNE84-AGD  
 (B)=3TNE88-AGD  
 (C)=4TNE88-AGD

(D)=4TNE84T-AGD  
 (E)=  
 (F)=

YD0R5190  
 3, 4TNE84, 86 (T) -AGD

40 歯ケース  
 GEAR HOUSING

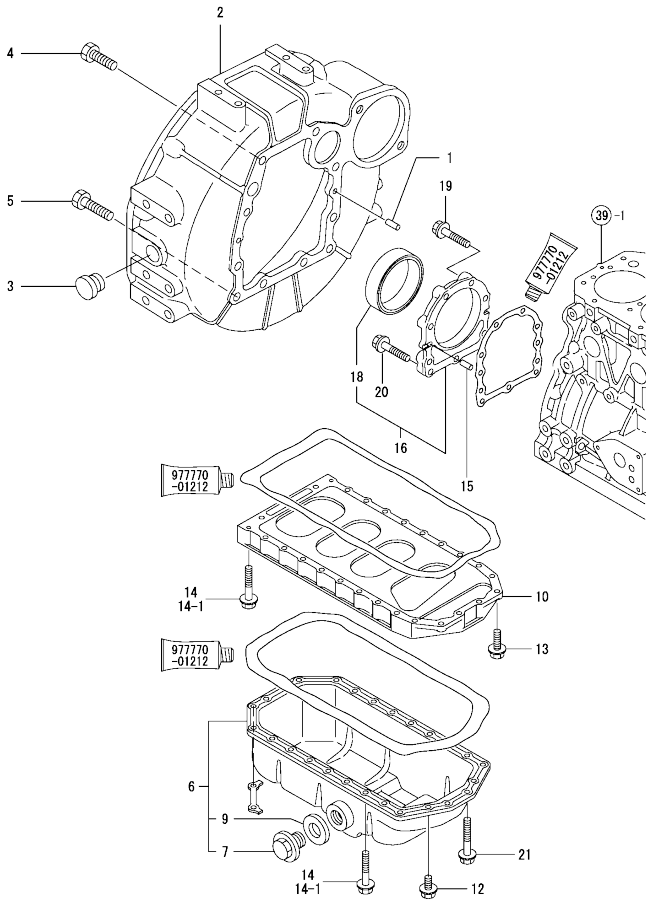


No.	Lev.	Parts No.	Description	Qty						I	R	
				(A)	(B)	(C)	(D)	(E)	(F)			
1	1	719810-01500	CASE ASSY, GEAR									
4	2	129795-01800	SEAL, OIL									
5	1	129400-01520	FLANGE, GEAR CASE									
6	1	121450-01560	STUD, M8X22									
7	1	124160-01751	COVER, FILLER									
8	1	124240-01871	COVER									
9	1	124240-01883	GASKET									G
10	1	129795-01950	PIPE, KNOCK L=18									
11	1	129150-03100	RETAINER, PIPE									
12	1	121850-51960	O-RING									G
13	1	24311-000160	O-RING, 1AP16.0									G
14	1	24311-000320	O-RING, 1AP32.0									G
15	1	26106-080122	BOLT, M8X 12 PLATED									
16	1	26106-080162	BOLT, M8X 16 PLATED									
17	1	26106-080162	BOLT, M8X 16 PLATED									
18	1	26106-080202	BOLT, M8X 20 PLATED									
19	1	26106-080452	BOLT, M8X 45 PLATED									
20	1	26106-080552	BOLT, M8X 55 PLATED									
21	1	26106-080852	BOLT, M8X 85 PLATED									
22	1	26366-080002	NUT, M8									
23	1	22190-080002	WASHER, SEAL 6									G
24	1	22190-080002	WASHER, SEAL 6									G
25	1	129150-91400	GEAR									
27	2	24341-000240	O-RING, 1AS24.0									
28	1	26106-060162	BOLT, M6X 16 PLATED									G

Remarks  
 (G) THESE PARTS ARE SOLD BY  
 FIG.59, REF.NO.1.

N:Old  $\frac{100}{100}$  New, Q:Old  $\frac{100}{100}$  New, R:Old  $\frac{100}{100}$  New, S:Old  $\frac{100}{100}$  New, W:Add, Z:Discontinued, F:Interchangeable by set, K:Qty Change  
 Copyright (C) YANMAR CO., LTD. All Rights Reserved.

Fig.41. FLYWHEEL HOUSING & OIL SUMP



(A)=3TNE84-AGD  
(B)=3TNE88-AGD  
(C)=4TNE88-AGD

(D)=4TNE84T-AGD  
(E)=  
(F)=

No.	Lev.	Parts No.	Description	Q'ty						I	R
				(A)	(B)	(C)	(D)	(E)	(F)		
1	1	129100-01580	PIN, M8X16				2				
2	1	171420-01600	HOUSING, FLYWHEEL				1				
3	1	119620-01750	CAP				1				
4	1	26206-100252	BOLT, M10X 25 PLATED				6				
5	1	26206-100302	BOLT, M10X 30 PLATED				4				
6	1	129400-01770	SUMP ASSY, OIL				1				
7	2	119640-01640	PLUG, DRAIN M22				1				
9	2	22190-220002	WASHER, SEAL 22				1				
10	1	129400-01730	SPACER, OIL SUMP				1				
12	1	26106-080162	BOLT, M8X 16 PLATED				4				
13	1	26106-080252	BOLT, M8X 25 PLATED				2				
14	1	26106-080452	BOLT, M8X 45 PLATED				24				
14-1	1	26106-080452	BOLT, M8X 45 PLATED				20				K
			(D=FROM 1ST)								
15	1	129100-01580	PIN, M8X16				2				
16	1	129100-01640	CASE ASSY, OIL SEAL				1				
18	2	129795-01780	SEAL, OIL				1				
19	1	26106-080302	BOLT, M8X 30 PLATED				6				
20	1	26106-080352	BOLT, M8X 35 PLATED				3				
21	1	26106-080502	BOLT, M8X 50 PLATED				4				W
			(D=FROM 1ST)								

OCB10-M51900 ENGINE SECTION(4TNE84T-AGD)  
 Fig.42. CYLINDER HEAD & BONNET

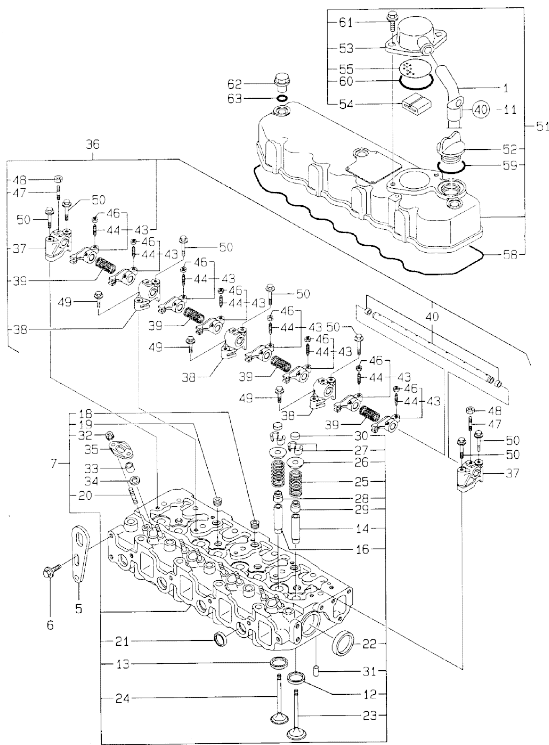
OCB10-M51900 Fig.42

(A)=3TNE84-AGD  
 (B)=3TNE88-AGD  
 (C)=4TNE88-AGD

(D)=4TNE84T-AGD  
 (E)=  
 (F)=

Y30B5190  
 3. 4TNE84, 69 (17)-AGD

42 シリンダヘッド & ボンネット  
 CYLINDER HEAD & BONNET



No.	Lev.	Parts No.	Description	Q'ty						I	R	
				(A)	(B)	(C)	(D)	(E)	(F)			
1	1	171350-03090	PIPE, BREATHER 900							1		
5	1	124736-07900	LIFTER							2		
6	1	26106-080142	BOLT, M8X 14 PLATED							4		
7	1	729408-11700	HEAD ASSY, CYLINDER							1		
12	2	129470-11080	SEAT, INTAKE VALVE							4		
13	2	129470-11090	SEAT, EXHAUST VALVE							4		
14	2	120130-11860	GUIDE, VALVE							4		1
16	2	129150-11810	GUIDE, VALVE							4		
18	2	121850-11860	PLUG, PT1/4							3		1
19	2	23871-030000	PLUG, R03							4		
20	2	26216-060202	STUD, M6X 20							8		
21	2	27241-220000	PLUG, 22							4		
22	2	27241-400000	PLUG, 40							2		
23	2	129100-11100	VALVE, INTAKE							4		
24	2	129100-11130	VALVE, EXHAUST							4		
25	2	129795-11120	SPRING, VALVE							8		
26	2	129795-11180	RETAINER, SPRING							8		
27	2	27310-080001	COTTER, 8							8		
28	2	121400-11340	SEAL, VALVE STEM							4		G
29	2	124460-11340	SEAL, VALVE STEM							4		G
30	2	129150-11370	CAP, VALVE							8		
31	2	22351-060012	PIN, SPRING 6.0X12							2		
32	2	26366-060002	NUT, M6							8		
33	1	119625-11871	PROTECTOR, NOZZLE							4		G
34	1	119625-11880	SEAT, NOZZLE							4		G
35	1	119625-11900	RETAINER, NOZZLE							4		
36	1	129500-11240	SHAFT ASSY, ROCKER							1		
37	2	129155-11260	SUPPORT, ROCKER ARM							2		
38	2	129155-11270	SUPPORT, ROCKER ARM							3		
39	2	129150-11280	SPRING							4		
40	2	129550-11290	SHAFT, ROCKER ARM							1		
43	2	129100-11650	ARM, ROCKER							8		
44	3	129150-11230	SCREW, VALVE ADJUST							8		
46	3	129150-11750	NUT, M8							8		
47	2	26226-080182	STUD, M8X 18							3		
48	2	26756-080002	NUT, LOCK M8							3		
49	1	26106-080252	BOLT, M8X 25 PLATED							3		
50	1	26106-080502	BOLT, M8X 50 PLATED							7		
51	1	129400-11350	BONNET ASSY, HEAD							1		
52	2	124160-01751	COVER, FILLER							1		
53	2	129150-03020	COVER, BREATHER							1		
54	2	129150-03070	BAFFLE, BREATHER							1		
55	2	129150-03080	PLATE, BAFFLE							1		
58	2	129550-11310	GASKET, BONNET							1		G
59	2	24311-000320	O-RING, 1AP32.0							1		G
60	2	24341-000500	O-RING, 1AS50.0							1		G
61	2	26106-080162	BOLT, M8X 16 PLATED							2		
62	1	124160-11360	KNOB							3		
63	1	24311-000120	O-RING, 1AP12.0							3		G

Remarks  
 (1) REPAIR PART.  
 (G) THESE PARTS ARE SOLD BY  
 FIG.59, REF.NO.1.

N:Old  $\frac{New}{Old}$  New, Q:Old  $\frac{New}{Old}$  New, R:Old  $\frac{New}{Old}$  New, S:Old  $\frac{New}{Old}$  New, W:Add, Z:Discontinued, F:Interchangeable by set, K:Q'ty Change  
 Copyright (C) YANMAR CO., LTD. All Rights Reserved.



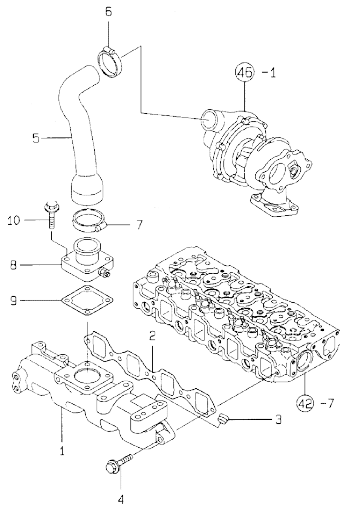
Fig.43. SUCTION MANIFOLD

(A)=3TNE84-AGD  
(B)=3TNE88-AGD  
(C)=4TNE88-AGD

(D)=4TNE84T-AGD  
(E)=  
(F)=

Y0085190  
3, 4TNE84, 88 (T) -AGD

43 キュウキマニホルド  
SUCTION MANIFOLD



No.	Lev.	Parts No.	Description	Q'ty						I	R
				(A)	(B)	(C)	(D)	(E)	(F)		
1	1	129400-12100	MANIFOLD, AIR INTAKE				1				
2	1	129550-12111	GASKET, MANIFOLD				1				G
3	1	238771-030000	PLUG, R03				1				
4	1	26106-080352	BOLT, M8X 35 PLATED				5				
5	1	129403-12080	PIPE, AIR INTAKE				1				
6	1	23000-054000	CLAMP, 54				1				
7	1	23000-060000	CLAMP, 60				1				
8	1	129120-77501	HEATER				1				
9	1	129150-77511	GASKET				1				G
10	1	26106-080352	BOLT, M8X 35 PLATED				4				

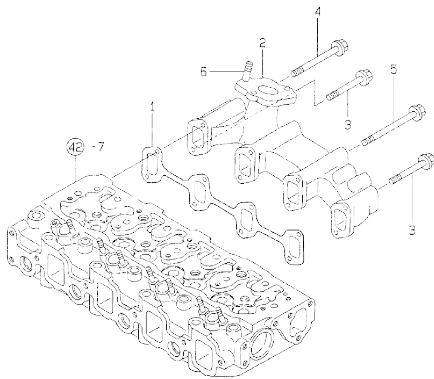
Remarks  
(G) THESE PARTS ARE SOLD BY  
FIG.59,REF.NO.1.

N:Old  $\frac{100}{100}$  New, Q:Old  $\frac{100}{100}$  New, R:Old  $\frac{100}{100}$  New, S:Old  $\frac{100}{100}$  New, W:Add, Z:Discontinued, F:Interchangeable by set, K:Q'ty Change  
Copyright (C) YANMAR CO., LTD. All Rights Reserved.

Fig.44. EXHAUST MANIFOLD

Y0CB5190  
3, 4TNE84, 6B (1) - AGD

44 ハイキマニホールド  
EXHAUST MANIFOLD



(A)=3TNE84-AGD  
(B)=3TNE88-AGD  
(C)=4TNE88-AGD

(D)=4TNE84T-AGD  
(E)=  
(F)=

No.	Lev.	Parts No.	Description	Q'ty						I	R
				(A)	(B)	(C)	(D)	(E)	(F)		
1	1	129550-13110	GASKET				1				G
2	1	129403-13130	MANIFOLD, EXHAUST				1				
3	1	26106-080652	BOLT, M8X 65 PLATED				3				
3-1	1	119802-13650	BOLT, M8X65				3				N
			(D=*2002.09)								
4	1	26106-080852	BOLT, M8X 85 PLATED				1				
4-1	1	119802-13670	BOLT, M8X85				1				N
			(D=*2002.09)								
5	1	26106-081002	BOLT, M8X100 PLATED				4				
5-1	1	129693-44310	BOLT				4				N
			(D=*2002.09)								
5-2	1	119802-13820	BOLT, M8X100 9.8T				4				N
			(D=*2009.12)								
6	1	26216-080222	STUD, M8X 22				3				
6-1	1	129418-18320	STUD, M8X20				3				N
			(D=E01513)								

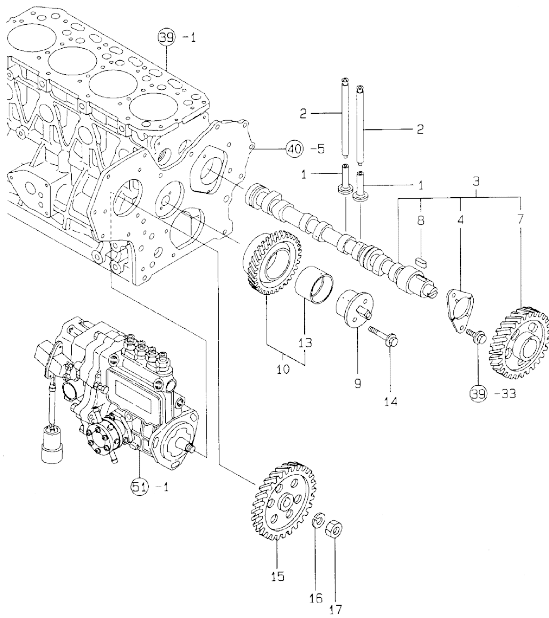
Remarks  
(G) THESE PARTS ARE SOLD BY  
FIG.59,REF.NO.1.

N:Old <sup>Y0CB</sup>/<sub>100</sub> New. Q:Old <sup>HR</sup>/<sub>VCC</sub> New. R:Old <sup>Y0CB</sup>/<sub>100</sub> New. S:Old <sup>HR</sup>/<sub>VCC</sub> New. W:Add. Z:Discontinued. F:Interchangeable by set. K:Q'ty Change  
Copyright (C) YANMAR CO., LTD. All Rights Reserved.

OCB10-M51900 ENGINE SECTION(4TNE84T-AGD)  
 Fig.45. CAMSHAFT & DRIVING GEAR

Y0065190  
 3, 4TNE84, 88 (T) -AGD

45 カムシャフト & クランク  
 CAMSHAFT & DRIVING GEAR



OCB10-M51900 Fig.45

(A)=3TNE84-AGD  
 (B)=3TNE88-AGD  
 (C)=4TNE88-AGD

(D)=4TNE84T-AGD  
 (E)=  
 (F)=

No.	Lev.	Parts No.	Description	Q'ty						I	R		
				(A)	(B)	(C)	(D)	(E)	(F)				
1	1	129150-14200	TAPPET										
2	1	129150-14400	ROD, PUSH L=178										
3	1	729402-14580	CAMSHAFT ASSY										
4	2	129150-02450	BEARING, THRUST										
7	2	129150-14101	GEAR, CAMSHAFT										
8	2	22512-070140	KEY, 7X 14										
9	1	129100-25061	SHAFT, IDLE										
10	1	129150-25101	GEAR ASSY, IDLE										
13	2	129150-25920	BUSH, IDLE GEAR										1
14	1	26106-080452	BOLT, M8X 45 PLATED										
15	1	129150-25900	GEAR, PUMP										
16	1	22217-120000	WASHER, SPRING 12										
17	1	26716-120002	NUT, M12										

Remarks  
 (1) REPAIR PART.

N:Old  $\frac{100}{100}$  New, Q:Old  $\frac{100}{100}$  New, R:Old  $\frac{100}{100}$  New, S:Old  $\frac{100}{100}$  New, W:Add, Z:Discontinued, F:Interchangeable by set, K:Q'ty Change  
 Copyright (C) YANMAR CO., LTD. All Rights Reserved.

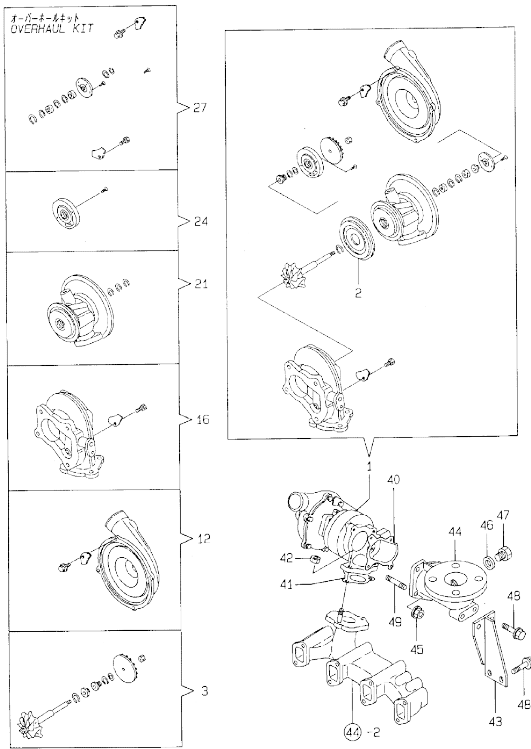
Fig.46. TURBOCHARGER

(A)=3TNE84-AGD  
(B)=3TNE88-AGD  
(C)=4TNE88-AGD

(D)=4TNE84T-AGD  
(E)=  
(F)=

Y00R5190  
3, 4TNE84, 88 (T) -AGD

46 タービン  
TURBOCHARGER



No.	Lev.	Parts No.	Description	Q'ty						I	R
				(A)	(B)	(C)	(D)	(E)	(F)		
1	1	129406-18010	TURBINE, RHB31				1				
2	2	129403-18720	PROTECTOR, HEAT				1				
3	2	129406-18770	ROTOR ASSY				1				
12	2	129406-18780	HOUSING ASSY				1				
16	2	129406-18790	HOUSING ASSY				1				
21	2	129403-18800	HOUSING ASSY				1				
24	2	129406-18820	PLATE ASSY, SEAL				1				
27	2	129406-18830	OVERHALL KIT				1				
40	1	129403-18091	GASKET				1				G
41	1	129477-18101	GASKET				1				G
42	1	194990-22050	NUT, M8				3				
43	1	129412-18290	SUPPORT				1				
44	1	129412-18380	BEND, EXHAUST				1				
45	1	194990-22050	NUT, M8				4				
46	1	23414-170000	GASKET, 17X1.0				1				G
47	1	23894-030002	PLUG, G3/8				1				
48	1	26106-080142	BOLT, M8X 14 PLATED				4				
49	1	26216-080222	STUD, M8X 22				4				

Remarks  
(G) THESE PARTS ARE SOLD BY  
FIG.59,REF.NO.1.

N:Old  $\frac{100}{100}$  New, Q:Old  $\frac{100}{100}$  New, R:Old  $\frac{100}{100}$  New, S:Old  $\frac{100}{100}$  New, W:Add, Z:Discontinued, F:Interchangeable by set, K:Q'ty Change  
Copyright (C) YANMAR CO., LTD. All Rights Reserved.

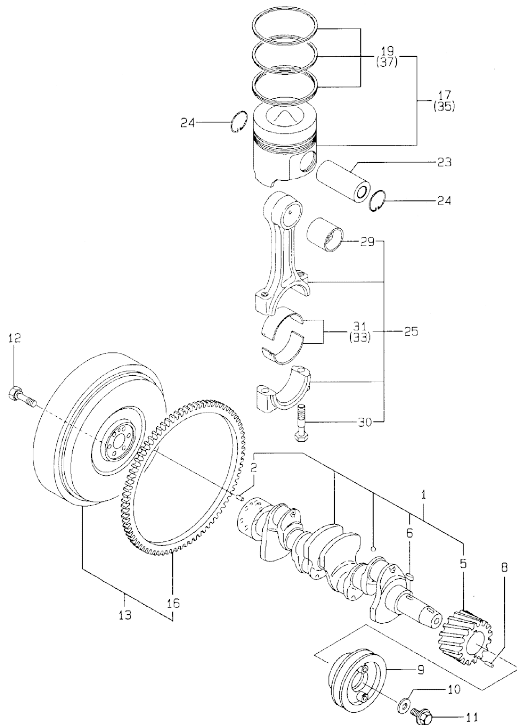
Fig.47. CRANKSHAFT & PISTON

(A)=3TNE84-AGD  
(B)=3TNE88-AGD  
(C)=4TNE88-AGD

(D)=4TNE84T-AGD  
(E)=  
(F)=

Y06B5190  
3 4TNE84, 89 (17) -ASD

47 クランクシャフト & ピストン  
CRANKSHAFT & PISTON



No.	Lev.	Parts No.	Description	Q'ty						I	R	
				(A)	(B)	(C)	(D)	(E)	(F)			
1	1	129407-21000	CRANKSHAFT ASSY									
2	2	129100-01580	PIN, M8X16									1
5	2	129150-21200	GEAR, CRANKSHAFT									1
6	2	22512-070140	KEY, 7X 14									1
8	1	22351-040010	PIN, SPRING 4.0X10									1
9	1	129550-21650	V-PULLEY									1
10	1	129795-21661	WASHER									1
11	1	121850-21680	BOLT									1
12	1	121111-21501	BOLT, FLYWHEEL									6
13	1	171420-21590	FLYWHEEL ASSY									1
16	2	124550-21600	GEAR, RING									1
17	1	129002-22090	PISTON ASSY									4
19	2	129002-22510	RING SET, PISTON									4
23	1	129202-22300	PIN, PISTON D26 L70									4
24	1	22252-000260	RING, 26									8
25	1	729402-23100	ROD ASSY, CONNECTING									4
29	2	129100-23910	BEARING, PISTON PIN									4
30	2	121550-23200	BOLT, CONNECTING ROD									8
31	2	129150-23600	BEARING, CRANK PIN									4
33	1	129150-23610	BEARING, 0.25 US									4
35	1	129002-22900	PISTON ASSY, 0.25 OS									4
37	2	129002-22950	RING SET, 0.25 OS									4

Remarks

- (1)REPAIR PART.
- (2)UNDER-SIZED(U.S=0.25)PART.
- (3)OVER-SIZED(O.S=0.25)PART.

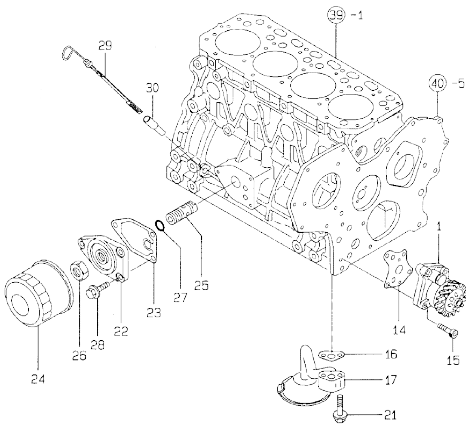
Fig.48. LUB.OIL SYSTEM

(A)=3TNE84-AGD  
(B)=3TNE88-AGD  
(C)=4TNE88-AGD

(D)=4TNE84T-AGD  
(E)=  
(F)=

Y0985190  
3, 4TNE84, 88 (1) - AGD

48 L09774  
LUB.OIL SYSTEM



No.	Lev.	Parts No.	Description	Q'ty						I	R	
				(A)	(B)	(C)	(D)	(E)	(F)			
1	1	129407-32000	PUMP ASSY, OIL				1					
14	1	129150-32020	GASKET, PUMP				1					G
15	1	26450-060252	BOLT, M6X 25				4					
16	1	129150-35041	GASKET				1					G
17	1	129436-35090	PIPE ASSY, OIL INLET				1					
21	1	26106-080352	BOLT, M8X 35 PLATED				2					
22	1	129150-35101	BRACKET, STRAINER				1					
23	1	129150-35111	GASKET				1					G
24	1	129150-35151	FILTER, D80XL80				1					
25	1	129001-35300	BOLT, FILTER				1					
26	1	129150-35350	NUT				1					
27	1	24311-000160	O-RING, 1AP16.0				1					G
28	1	26106-080202	BOLT, M8X 20 PLATED				3					
29	1	129136-34800	DIPSTICK, OIL				1					
30	1	121520-34810	GUIDE, DIPSTICK				1					

Remarks  
(G) THESE PARTS ARE SOLD BY  
FIG.59,REF.NO.1.

N:Old  $\frac{100}{100}$  New, Q:Old  $\frac{100}{100}$  New, R:Old  $\frac{100}{100}$  New, S:Old  $\frac{100}{100}$  New, W:Add, Z:Discontinued, F:Interchangeable by set, K:Q'ty Change  
Copyright (C) YANMAR CO., LTD. All Rights Reserved.

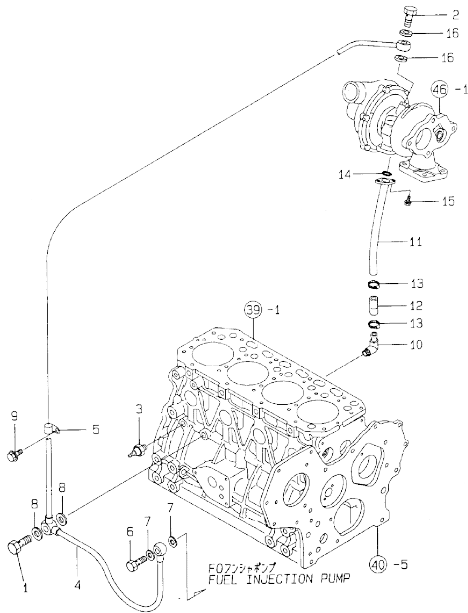
Fig.49. LUB.OIL LINE

(A)=3TNE84-AGD  
(B)=3TNE88-AGD  
(C)=4TNE88-AGD

(D)=4TNE84T-AGD  
(E)=  
(F)=

Y0069190  
3.4TNE84,88(T)-AGD

49 LUB.OIL LINE



No.	Lev.	Parts No.	Description	Q'ty						I	R
				(A)	(B)	(C)	(D)	(E)	(F)		
1	1	124160-39140	BOLT, PIPE JOINT M10				1				
2	1	105010-39140	BOLT, PIPE JOINT				1				
3	1	124160-39450	SWITCH, 0.5KG				1				
4	1	129403-39450	PIPE ASSY, OIL				1				
5	1	124223-39900	RETAINER				1				
6	1	124550-59820	BOLT, PIPE JOINT M8				1				
7	1	22190-080002	WASHER, SEAL 6				2				G
8	1	23414-100000	GASKET, 10X1.0				2				G
9	1	26106-080102	BOLT, M8X 10 PLATED				1				
10	1	128270-13620	JOINT, PIPE PT3/8				1				
11	1	129403-39600	PIPE, OIL				1				
12	1	129403-39610	JOINT, RUBBER				1				
13	1	23000-022000	CLAMP, 22				2				
14	1	24314-000160	O-RING, 4CP16.0				1				
15	1	26106-060162	BOLT, M6X 16 PLATED				2				
16	1	23414-080000	GASKET, 8X1.0				2				

Remarks  
(G) THESE PARTS ARE SOLD BY  
FIG.59,REF.NO.1.

N:Old  $\frac{100}{100}$  New, Q:Old  $\frac{100}{100}$  New, R:Old  $\frac{100}{100}$  New, S:Old  $\frac{100}{100}$  New, W:Add, Z:Discontinued, F:Interchangeable by set, K:Q'ty Change  
Copyright (C) YANMAR CO., LTD. All Rights Reserved.

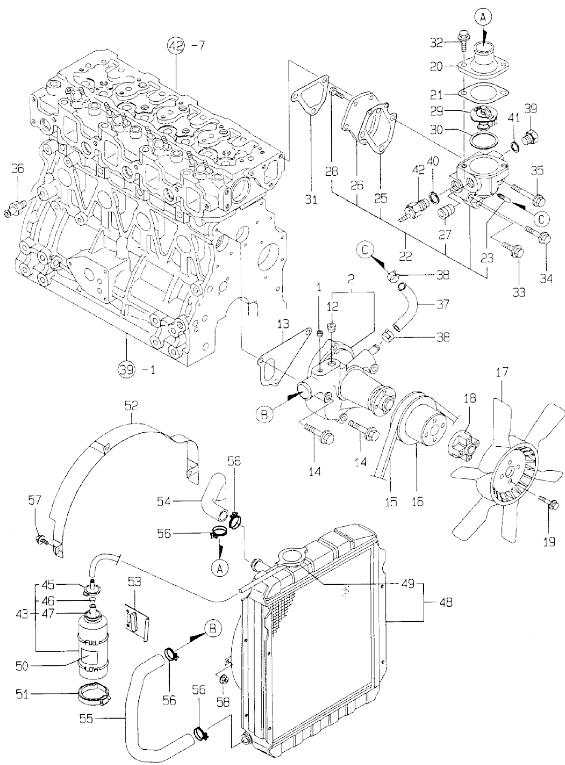
OCB10-M51900 ENGINE SECTION(4TNE84T-AGD)  
**Fig.50. COOLING WATER SYSTEM**

OCB10-M51900 Fig.50

(A)=3TNE84-AGD (D)=4TNE84T-AGD  
 (B)=3TNE88-AGD (E)=  
 (C)=4TNE88-AGD (F)=

Y00H5190  
 3, 4TNE84, 08 (1) -AGD

50 冷却水系统  
 COOLING WATER SYSTEM



No.	Lev.	Parts No.	Description	Q'ty						I	R
				(A)	(B)	(C)	(D)	(E)	(F)		
1	1	121850-11860	PLUG, PT1/4								
2	1	129100-42002	PUMP ASSY, WATER								
12	2	23871-030000	PLUG, R03								
13	1	129100-42020	GASKET, WATER PUMP								G
14	1	26106-080602	BOLT, M8X 60 PLATED								
15	1	124732-42290	V-BELT, AX37								
16	1	129155-42350	V-PULLEY								
17	1	129432-44740	FAN, COOLING D370XEF								
18	1	171353-44760	SPACER, FAN								
19	1	26106-060352	BOLT, M6X 35 PLATED								
20	1	129350-49530	COVER, THERMOSTAT								
21	1	129795-49551	GASKET								G
22	1	129100-49800	CASE ASSY, THERMOSTAT								
23	2	124770-11770	JOINT, PIPE PT1/8								
25	2	129100-49820	GASKET								
26	2	129100-49830	COVER, THERMOSTAT								
27	2	23871-030000	PLUG, R03								
28	2	26116-060162	BOLT, M6X 16 PLATED								
29	1	129155-49800	THERMOSTAT, 71								
30	1	129150-49811	GASKET, THERMOSTAT								G
31	1	129100-49840	GASKET								G
32	1	26106-080202	BOLT, M8X 20 PLATED								
33	1	26106-080252	BOLT, M8X 25 PLATED								
34	1	26106-080502	BOLT, M8X 50 PLATED								
35	1	26106-080602	BOLT, M8X 60 PLATED								
36	1	121550-49111	JOINT, PT1/4								
37	1	129132-49050	PIPE, WATER								
38	1	23000-016000	CLAMP, 16								
39	1	121450-42450	PLUG, M16								
40	1	124465-44950	GASKET, 16								G
41	1	124465-44950	GASKET, 16								G
42	1	121250-44901	SWITCH, 110								
43	1	124450-44510	TANK ASSY, SUB								
45	2	124450-44530	CAP								
46	2	124450-44560	RETAINER								
47	2	23061-070230	PIPE, 7X 230								
48	1	129411-44510	RADIATOR								
49	2	124450-44590	CAP, RADIATOR								
50	1	121470-44540	LABEL, SUB-TANK								
51	1	124450-44550	BAND								
52	1	129411-44560	PROTECTOR, FAN								
53	1	121256-44600	BRACKET, SUB TANK								
54	1	171420-49010	PIPE, WATER								
55	1	171420-49020	PIPE, WATER								
56	1	23010-038000	CLAMP, 38								
57	1	26014-080202	BOLT, M8X 20								
58	1	26366-080002	NUT, M8								

Remarks  
 (G) THESE PARTS ARE SOLD BY  
 FIG.59, REF. NO.1.

N:Old  $\frac{NOC}{NO}$  New, Q:Old  $\frac{HQ}{QC}$  New, R:Old  $\frac{ROC}{RO}$  New, S:Old  $\frac{SOC}{SO}$  New, W:Add, Z:Discontinued, F:Interchangeable by set, K:Q'ty Change  
 Copyright (C) YANMAR CO., LTD. All Rights Reserved.





OCB10-M51900 ENGINE SECTION(4TNE84T-AGD)  
 Fig.51. FUEL INJECTION PUMP

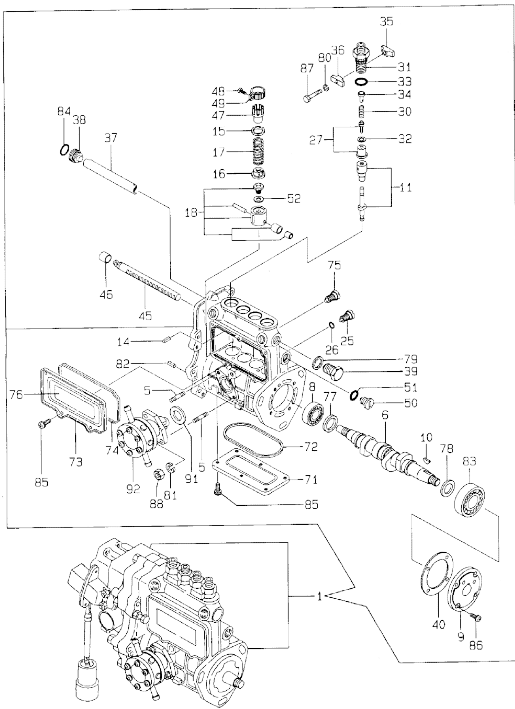
OCB10-M51900 Fig.51

(A)=3TNE84-AGD  
 (B)=3TNE88-AGD  
 (C)=4TNE88-AGD

(D)=4TNE84T-AGD  
 (E)=  
 (F)=

Y00B5190  
 3, 4TNE84, 88 (1) - AGD

51 F07インジェクションポンプ  
 FUEL INJECTION PUMP



No.	Lev.	Parts No.	Description	Q'ty						I	R
				(A)	(B)	(C)	(D)	(E)	(F)		
88	2	26716-060002	NUT, M6				2				
91	2	129155-52050	GASKET				1				G
92	2	129100-52100	PUMP ASSY, FUEL FEED				1				

Remarks  
 (1) GOVERNOR ASSY(FIG.NO.52) IS  
 INCORPORATED IN THIS FUEL  
 INJECTION PUMP ASSY(REF.NO.1).  
 (G) THESE PARTS ARE SOLD BY FIG.59,  
 REF.NO.1.

OCB10-M51900 ENGINE SECTION(4TNE84T-AGD)  
 Fig.52. GOVERNOR

OCB10-M51900 Fig.52

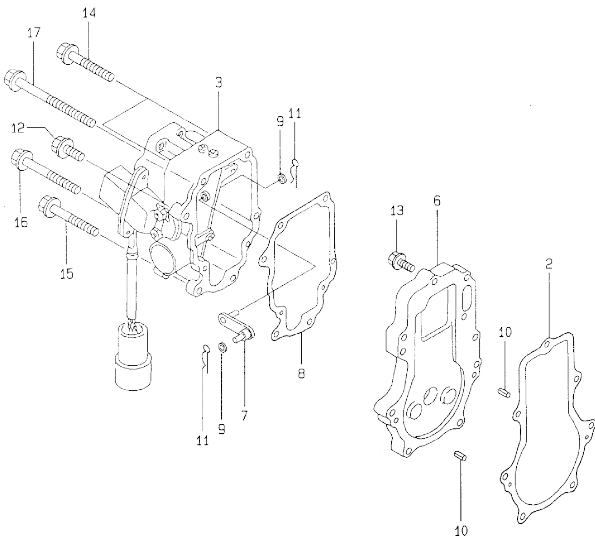
(A)=3TNE84-AGD  
 (B)=3TNE88-AGD  
 (C)=4TNE88-AGD

(D)=4TNE84T-AGD  
 (E)=  
 (F)=

Y00H5190  
 3, 4TNE84, 88 (T) -AGD

52 governor

No.	Lev.	Parts No.	Description	Q'ty						I	R
				(A)	(B)	(C)	(D)	(E)	(F)		
2	2	129116-61051	GASKET				1				
3	2	119649-61100	ACTUATOR				1				
6	2	129116-61110	SPACER				1				
7	2	129116-61120	LINK				1				
8	2	119649-61151	GASKET				1				
9	2	22117-040000	WASHER, 4				2				
10	2	22351-040010	PIN, SPRING 4.0X10				2				
11	2	22360-050000	SNAP PIN 5				2				
12	2	26106-060202	BOLT, M6X 20 PLATED				1				
13	2	26106-060222	BOLT, M6X 22 PLATED				7				
14	2	26106-060452	BOLT, M6X 45 PLATED				2				
15	2	26106-060602	BOLT, M6X 60 PLATED				1				
16	2	26106-060702	BOLT, M6X 70 PLATED				1				
17	2	26106-060852	BOLT, M6X 85 PLATED				1				

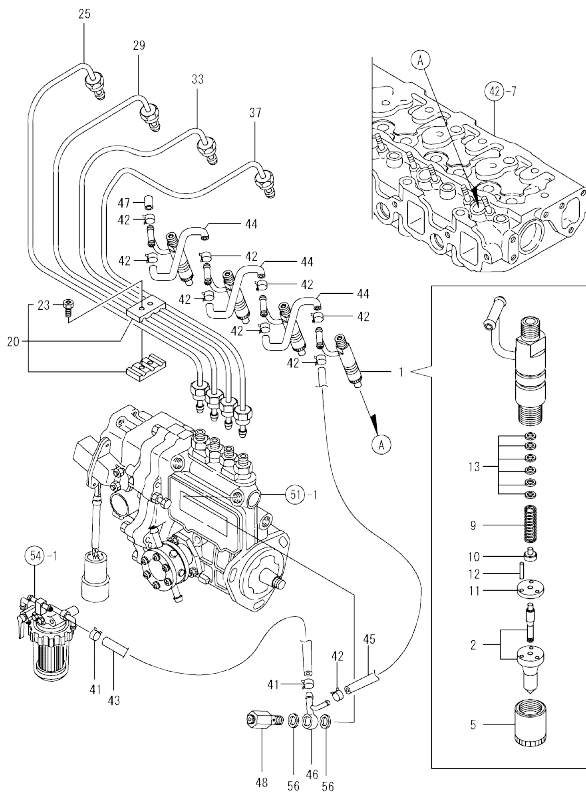


N:Old  $\frac{New}{Old}$  New, Q:Old  $\frac{New}{Old}$  New, R:Old  $\frac{New}{Old}$  New, S:Old  $\frac{New}{Old}$  New, W:Add, Z:Discontinued, F:Interchangeable by set, K:Q'ty Change  
 Copyright (C) YANMAR CO., LTD. All Rights Reserved.

Fig.53. FUEL INJECTION VALVE

(A)=3TNE84-AGD  
(B)=3TNE88-AGD  
(C)=4TNE88-AGD

(D)=4TNE84T-AGD  
(E)=  
(F)=



No.	Lev.	Parts No.	Description	Q'ty						I	R		
				(A)	(B)	(C)	(D)	(E)	(F)				
1	1	729503-53100	VALVE ASSY, INJECTION										
2	2	129503-53000	VALVE ASSY, INJECTION										
5	2	114250-53080	NUT, NOZZLE D16.95										
9	2	114250-53120	SPRING, NOZZLE										
10	2	114250-53130	SEAT, SPRING										
11	2	114250-53140	PLATE										
12	2	114250-53210	PIN										
13	2	114250-53400	SHIM SET										
20	1	129150-59120	RETAINER, PIPE										
23	2	129150-59131	BOLT, M4X14										
25	1	129400-59910	PIPE ASSY, INJECTION										
29	1	129400-59920	PIPE ASSY, INJECTION										
33	1	129400-59930	PIPE ASSY, INJECTION										
37	1	129400-59940	PIPE ASSY, INJECTION										
41	1	124766-59050	CLIP, HOSE 12										
42	1	124066-59100	CLIP, HOSE 8										
43	1	105025-59530	PIPE, FUEL D13X400										
44	1	121250-59550	PIPE, FUEL D8X120										
45	1	119840-59560	PIPE, FUEL RETURN										
46	1	119840-59570	JOINT										
47	1	129150-59580	CAP										
48	1	129100-59951	VALVE ASSY, CHECK										
56	1	23414-120000	GASKET, 12X1.0										G

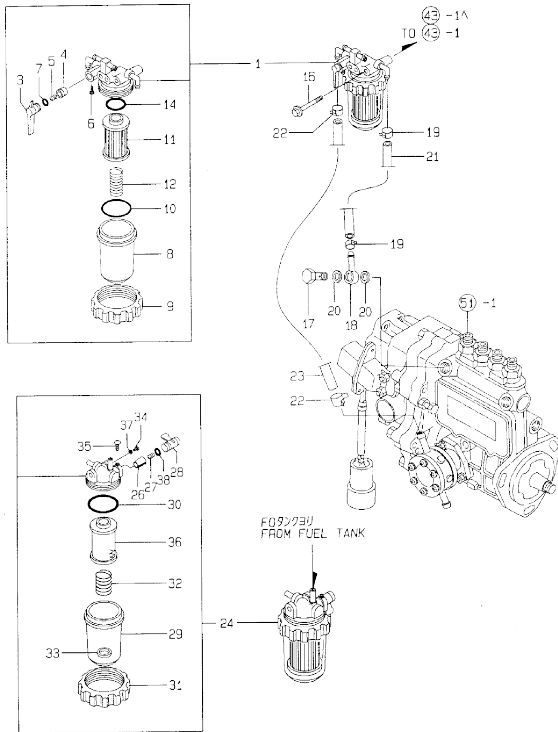
Remarks  
(G) THESE PARTS ARE SOLD BY  
FIG.59, REF.NO.1.

N:Old  $\frac{100}{100}$  New, Q:Old  $\frac{100}{100}$  New, R:Old  $\frac{100}{100}$  New, S:Old  $\frac{100}{100}$  New, W:Add, Z:Discontinued, F:Interchangeable by set, K:Qty Change  
Copyright (C) YANMAR CO., LTD. All Rights Reserved.

Fig.54. FUEL LINE

Y0095190  
3, 4TNE84, 99 (7) -AGD

54 FUEL LINE



(A)=3TNE84-AGD  
(B)=3TNE88-AGD  
(C)=4TNE88-AGD

(D)=4TNE84T-AGD  
(E)=  
(F)=

No.	Lev.	Parts No.	Description	Q'ty						I	R
				(A)	(B)	(C)	(D)	(E)	(F)		
1	1	129052-55620	FILTER ASSY, FUEL								
3	2	129100-55670	LEVER								
4	2	104200-55321	VALVE, TAPER								
5	2	104200-55330	SPRING, VALVE								
6	2	104200-55750	SCREW, M4								
7	2	24311-240100	O-RING, 1AP10A								
8	2	129100-55680	CUP, STRAINER								
9	2	129100-55690	RING, RETAINING								
10	2	24321-000650	O-RING, 1AG65.0								G
11	2	129100-55650	ELEMENT								
12	2	129100-55700	SPRING								
14	2	24311-000160	O-RING, 1AP16.0								
16	1	26014-080702	BOLT, M8X 70								
17	1	103854-39140	BOLT, PIPE JOINT								
18	1	101304-59020	JOINT, PIPE 12								
19	1	124766-59050	CLIP, HOSE 12								
20	1	104200-59170	GASKET, 12								G
21	1	105312-59510	PIPE, FUEL								
22	1	124766-59050	CLIP, HOSE 12								
23	1	105025-59530	PIPE, FUEL D13X400								
24	1	121257-55700	SEPARATOR, WATER								
26	2	104200-55321	VALVE, TAPER								
27	2	104200-55330	SPRING, VALVE								
28	2	104200-55341	HANDLE								
29	2	121254-55510	COVER								
30	2	102103-55520	O-RING								
31	2	110250-55610	RING, RETAINING								
32	2	121257-55720	SPRING								
33	2	121257-55731	FLOAT								
34	2	101720-55750	PLUG, 6								
35	2	104200-55750	SCREW, M4								
36	2	171081-55910	SCREEN								
37	2	23418-060000	GASKET, 6X1.0								
38	2	24311-240100	O-RING, 1AP10A								

Remarks  
(G) THESE PARTS ARE SOLD BY  
FIG.59,REF.NO.1.

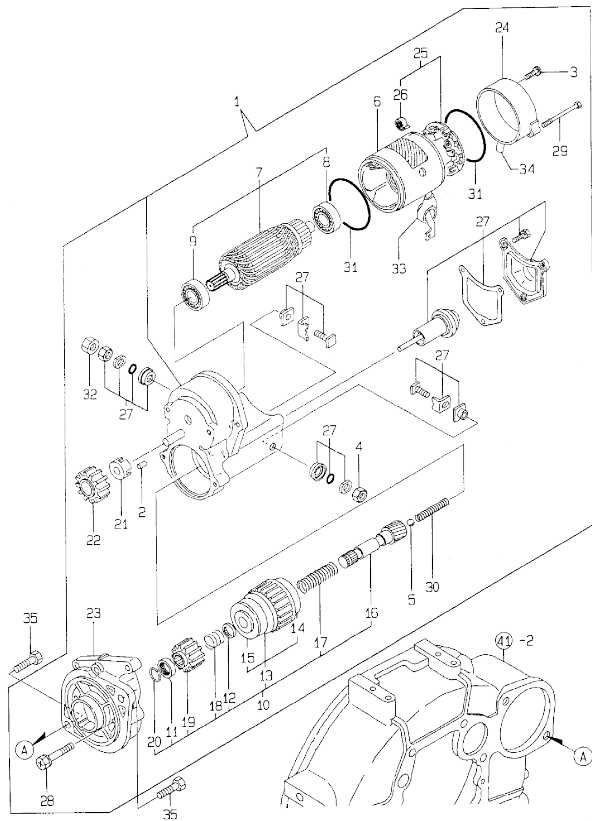
N:Old  $\frac{100}{100}$  New. Q:Old  $\frac{100}{100}$  New. R:Old  $\frac{100}{100}$  New. S:Old  $\frac{100}{100}$  New. W:Add. Z:Discontinued. F:Interchangeable by set. K:Qty Change  
Copyright (C) YANMAR CO., LTD. All Rights Reserved.

Fig.55. STARTING MOTOR

(A)=3TNE84-AGD (D)=4TNE84T-AGD  
 (B)=3TNE88-AGD (E)=  
 (C)=4TNE88-AGD (F)=

Y0005130  
 3. 4TNE84, 88 (7) -AGD

55 スターティングモーター  
 STARTING MOTOR

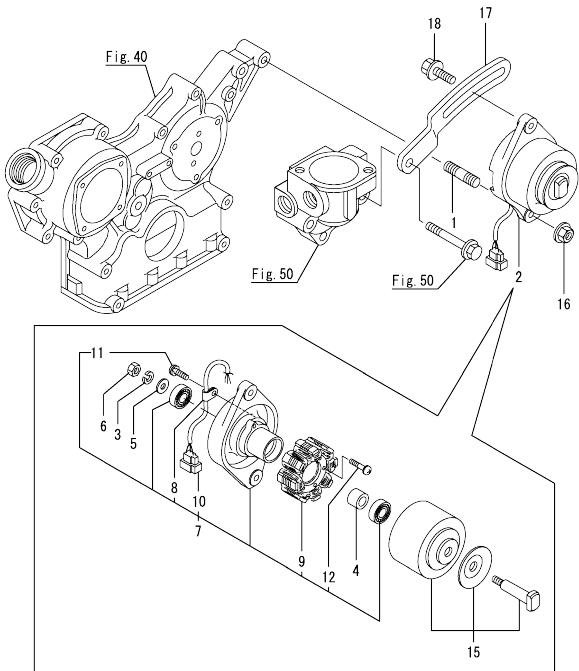


No.	Lev.	Parts No.	Description	Q'ty						I	R	
				(A)	(B)	(C)	(D)	(E)	(F)			
1	1	129407-77010	STARTER, RA1.4									
2	2	X0283060061	ROLLER				5					
3	2	X0289030010	SCREW				2					
4	2	X9490561370	NUT				1					
5	2	X9491200240	BALL				1					
6	2	129407-77210	YOKE ASSY				1					
7	2	129407-77220	ARMATURE ASSY				1					
8	3	129129-77230	BEARING				1					
9	3	129129-77240	BEARING				1					
10	2	129407-77250	STARTER				1					
11	3	X0280210230	NUT				1					
12	3	X0283270140	RETAINER				1					
13	3	129407-77390	CLUTCH ASSY				1					
14	4	129129-77440	BEARING, BALL				1					
15	4	129129-77450	BEARING, BALL				1					
16	3	129129-77400	SHAFT				1					
17	3	129129-77410	SPRING, COIL				1					
18	3	129407-77410	SPRING				1					
19	3	129129-77420	PINION, STARTER				1					
20	3	129129-77430	RING				1					
21	2	129129-77260	RETAINER				1					
22	2	129129-77270	PINION				1					
23	2	129407-77280	HOUSING				1					
24	2	129129-77290	FRAME				1					
25	2	129407-77300	HOLDER ASSY				1					
26	3	X9491730461	SPRING				4					
27	2	129407-77310	SWITCH ASSY				1					
28	2	129129-77320	BOLT				2					
29	2	129407-77330	BOLT				2					
30	2	129129-77340	SPRING				1					
31	2	129129-77350	O-RING				2					
32	2	129129-77370	NUT				1					
33	2	129129-77380	CAP				1					
34	2	129129-77361	BUSH				1					
35	1	26116-120252	BOLT, M12X 25 PLATED				2					

Fig.56. GENERATOR

(A)=3TNE84-AGD  
(B)=3TNE88-AGD  
(C)=4TNE88-AGD

(D)=4TNE84T-AGD  
(E)=  
(F)=



No.	Lev.	Parts No.	Description	Q'ty						I	R
				(A)	(B)	(C)	(D)	(E)	(F)		
1	1	121450-01570	BOLT, STUD				1				
2	1	129150-77202	GENERATOR				1				
2-1	1	129150-77203	DINAMO ASSY				1				N
			(D=EXXXXX)								
3	2	XM219230000	WASHER, SPRING				1				
4	2	XM329830000	COLLAR				1				
5	2	XM860250000	WASHER, 10				1				
6	2	XM863720000	NUT				1				
7	2	129150-77210	PLATE ASSY				1				
8	3	XM069000000	CLAMP				1				
9	3	XM081780000	STATOR				1				
10	3	XM178780000	COUPLER				1				
11	3	XYSPS400800	SCREW				1				
12	3	XYSPS402400	SCREW				2				
15	2	129150-77230	FLYWHEEL ASSY				1				
15-1	2	129150-77280	FLYWHEEL ASSY				1				N
			(D=EXXXXX)								
16	1	26366-100002	NUT, M10				1				
17	1	129410-77330	ADJUSTER, BELT				1				
18	1	26014-080252	BOLT, M8X 25				1				

Fig.57. PULSER

(A)=3TNE84-AGD  
(B)=3TNE88-AGD  
(C)=4TNE88-AGD

(D)=4TNE84T-AGD  
(E)=  
(F)=

No.	Lev.	Parts No.	Description	Q'ty						
				(A)	(B)	(C)	(D)	(E)	(F)	
1	1	172010-08160	STICKER, WIRE				1			
2	1	194180-51640	CLAMP, HARNESS				1			
3	1	119649-78500	PULSAR				1			
4	1	129116-78510	BRACKET, PULSAR				1			
5	1	22351-040010	PIN, SPRING 4.0X10				1			
6	1	26116-060122	BOLT, M6X 12 PLATED				2			
7	1	26557-040082	SCREW, M4X 8				2			
8	1	119649-78650	GEAR, PULSAR				1			
9	1	26106-100142	BOLT, M10X 14 PLATED				2			
10	1	129111-78802	CONTROLLER, MAIN 4P				1			

Y0095190  
3, 4TNE84, 88 (1) - AGD

57 パルサー  
PULSER

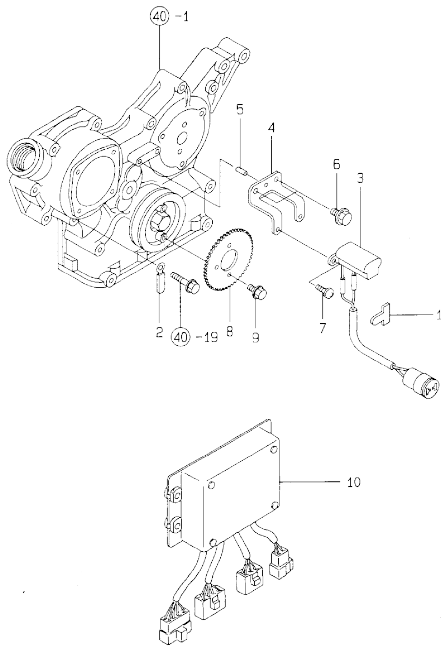
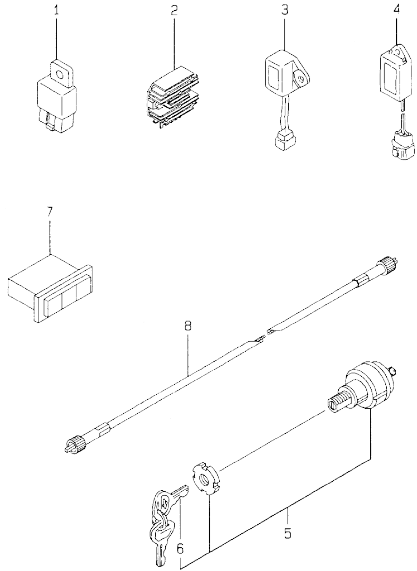




Fig.58. ELECTRIC PARTS

Y0085190  
3, 4TNE84, 88 (T) -AGD

58 デンソウヒン  
ELECTRIC PARTS



(A)=3TNE84-AGD  
(B)=3TNE88-AGD  
(C)=4TNE88-AGD

(D)=4TNE84T-AGD  
(E)=  
(F)=

No.	Lev.	Parts No.	Description	Q'ty						I	R	
				(A)	(B)	(C)	(D)	(E)	(F)			
1	1	119247-77100	RELAY, SAFETY				1					
2	1	119640-77711	LIMITER, CURRENT				1					
3	1	121522-77721	INDICATOR				1					
4	1	128300-77920	TIMER				1					
5	1	121400-91251	SWITCH, STARTER				1					
6	2	121400-91271	KEY, SWITCH				1					
7	1	129411-91310	LAMP				1					
7A	2	129411-91360	BULB, 12V-3.4W				6					W
8	1	194185-56900	CABLE ASSY, METER				1					

OCB10-M51900 ENGINE SECTION(4TNE84T-AGD)  
 Fig.59. GASKET SET(OPTIONA) & TOOL

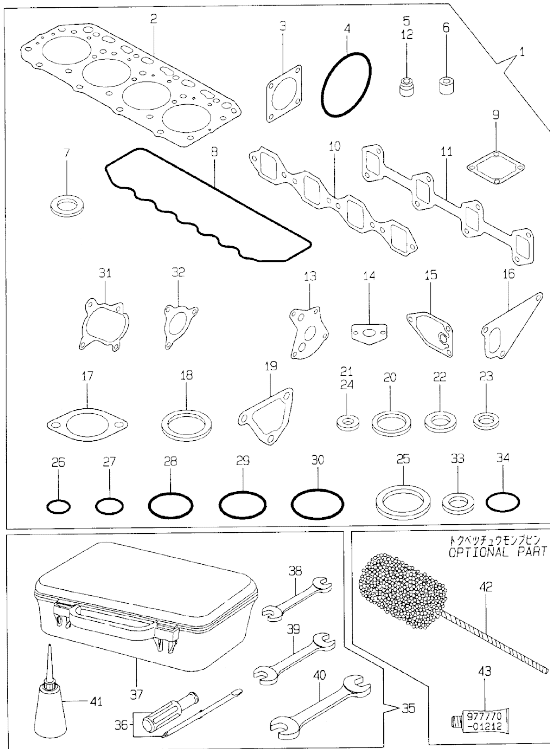
OCB10-M51900 Fig.59

(A)=3TNE84-AGD  
 (B)=3TNE88-AGD  
 (C)=4TNE88-AGD

(D)=4TNE84T-AGD  
 (E)=  
 (F)=

Y009E190  
 3, 4TNE84, 0B (7) -AGD

59 パッキンセット (オプション) & ツール  
 GASKET SET (OPTIONAL) & TOOL



No.	Lev.	Parts No.	Description	Qty						I	R	
				(A)	(B)	(C)	(D)	(E)	(F)			
1	1	729611-92610	GASKET SET								1	
2	2	129408-01330	GASKET, HEAD									1
3	2	124240-01883	GASKET									1
4	2	121850-51960	O-RING									1
5	2	124460-11340	SEAL, VALVE STEM									4
6	2	119625-11871	PROTECTOR, NOZZLE									4
7	2	119625-11880	SEAT, NOZZLE									4
8	2	129550-11310	GASKET, BONNET									1
9	2	129150-77511	GASKET									1
10	2	129550-12111	GASKET, MANIFOLD									1
11	2	129550-13110	GASKET									1
12	2	121400-11340	SEAL, VALVE STEM									4
13	2	129150-32020	GASKET, PUMP									1
14	2	129150-35041	GASKET									1
15	2	129150-35111	GASKET									1
16	2	129100-42020	GASKET, WATER PUMP									1
17	2	129795-49551	GASKET									1
18	2	129150-49811	GASKET, THERMOSTAT									1
19	2	129100-49840	GASKET									1
20	2	129155-52050	GASKET									1
21	2	104200-59170	GASKET, 12									2
22	2	22190-080002	WASHER, SEAL 6									7
23	2	23414-100000	GASKET, 10X1.0									2
24	2	23414-120000	GASKET, 12X1.0									2
25	2	23414-170000	GASKET, 17X1.0									1
26	2	24311-000120	O-RING, 1AP12.0									3
27	2	24311-000160	O-RING, 1AP16.0									3
28	2	24311-000320	O-RING, 1AP32.0									2
29	2	24341-000240	O-RING, 1AS24.0									1
30	2	24341-000500	O-RING, 1AS50.0									1
31	2	129403-18091	GASKET									1
32	2	129477-18101	GASKET									1
33	2	124465-44950	GASKET, 16									2
34	2	24321-000650	O-RING, 1AG65.0									1
35	1	17100-1-93100	BOX, TOOL									1
36	2	104200-92350	DRIVER, SCREW									1
37	2	104200-92600	BOX, TOOL									1
38	2	28110-100120	SPANNER, 10X12									1
39	2	28110-140170	SPANNER, 14X17									1
40	2	28110-190220	SPANNER, 19X22									1
41	2	28210-000140	OILER									1
42	1	129400-92420	HONE									1
43	1	977770-01212	GASKET, LIQUID									1

Remarks  
 (1) OPTIONAL PART.

N:Old  $\frac{100}{100}$  New, Q:Old  $\frac{100}{100}$  New, R:Old  $\frac{100}{100}$  New, S:Old  $\frac{100}{100}$  New, W:Add, Z:Discontinued, F:Interchangeable by set, K:Qty Change  
 Copyright (C) YANMAR CO., LTD. All Rights Reserved.











## Parts No. Index

Parts No.	Fig. No.	Ref. No.	Parts No.	Fig. No.	Ref. No.	Parts No.	Fig. No.	Ref. No.	Parts No.	Fig. No.	Ref. No.
22351-040010	17	5	23414-170000	46	46	24311-000320	59	28	26106-060222	31	13
	27	8		59	25		24311-240100	14		7	52
	31	10		14	30	26106-060352	31	10	19	19	
	36	5	33	36	33		7	29	19		
	47	8	54	37	54		7	50	19		
	52	10	23871-010000	1	15	24314-000160	49	14	26106-060452	12	14
	57	5		20	11		38	14		31	14
	22351-050010	11	82	39	8	24321-000650	14	10	26106-060602	12	15
		30	82	10	12		19	22		31	15
		51	82	20	15	33	10	52	15		
22351-060012	4	52	29	12	38	32	12	16	26106-060702	12	16
	23	25	27	27	54	10	31	16			
	42	31	39	16	59	34	52	16			
22360-050000	12	11	42	19	24341-000160	11	84	26106-060852	12	17	
	31	11	43	3		30	84		31	17	
	52	11	50	12	51	84	52	17			
22512-070140	7	8	23894-030002	46	47	24341-000240	2	27	26106-080102	49	9
	8	6		11	83		19	26		2	15
	26	8	24101-063034	30	83	21	27	21	15		
	27	6	51	83	38	30	39	17			
	45	8	4	51	27	40	27	40	15		
23000-016000	10	38	24311-000120	4	51	24341-000500	59	29	26106-080142	4	7
	29	38		19	10		23	54		23	6
	50	38	23	57	38	31	42	6			
	49	13	38	27	42	60	46	48			
	23000-022000	43	6	42	63	59	30	2	16		
	23000-054000	43	7	59	26	26014-080202	10	57	17		
	23000-060000	10	56	24311-000160	2	13	29	57	3	12	
23010-038000	29	56	9		26	50	57	7	9		
23061-070230	50	56	14	14	26014-080252	16	18	26106-080162	20	29	
	10	49	19	24		35	18		21	16	
	29	47		31	56	18		17			
	50	47	21	13	26014-080702	14	16	22	12		
9	35	28	27	33		16	23	55			
23414-080000	19	32	33	14	54	16	39	33			
	39	15	38	28	26022-050102	11	85	40	16		
	49	16	40	13		30	85		17		
	23414-100000	9	36	48	27	51	85	41	12		
		19	33	54	14	26022-060162	11	86	42	61	
28		37	59	27	30		86	2	18		
38		24	2	14	51	86	5	4			
49		8	4	49	26106-060162	2	28	9	27		
59		23	19	7		21	28	10	33		
23414-120000	13	50		8	26106-060162	40	28	21	18		
	19	35	21	14		49	15	24	4		
	32	54	23	53	26106-060202	12	12	28	28		
	38	26	38	29		31	12	29	32		
	53	56	40	14	52	12	40	18			
	59	24	42	59	12	13	48	28			





### Parts No. Index

Parts No.	Fig. No.	Ref. No.
XM069000000	35	8
	56	8
XM081780000	16	9
	35	9
	56	9
XM178780000	16	10
	35	10
	56	10
	56	10
XM219230000	16	3
	35	3
	56	3
XM329830000	16	4
	35	4
	56	4
	56	4
XM860250000	16	5
	35	5
	56	5
	56	5
XM863720000	16	6
	35	6
	56	6
	56	6
YSPS400800	16	11
	35	11
	56	11
YSPS402400	16	12
	35	12
	56	12

Parts No.	Fig. No.	Ref. No.
-----------	----------	----------

Parts No.	Fig. No.	Ref. No.
-----------	----------	----------

Parts No.	Fig. No.	Ref. No.
-----------	----------	----------