

0CV10-M43401EN

# P R E F A C E

1. This Parts Catalog carries all parts incorporated in YANMAR Model 3TNE88-AMM engine manufactured since November, 1994.
2. Each illustration corresponds to the parts list on the following page.
3. When ordering parts, clearly write down the engine model and serial number, as well as the name and number of each part in your order sheet. This will help insure reliable delivery of the parts you have ordered.

## Directions for the Parts Catalog.

1. This Parts Catalog shows both standard and optional parts.
2. Parts may change without prior notice.
3. The following is an example of the Parts Catalog format.

REF.	LEV.	PARTS NO.	DESCRIPTION	Q'TY						I	R
				(A)	(B)	(C)	(D)	(E)	(F)		
1	1	729595-51390	FUEL INJECTION PUMP	1	1	1	1	1			1
1-1	1	729595-51391	FUEL INJECTION PUMP	1	1	1	1	1		N	1
		(A=E00185) (B=E00200)									
3	2	26022-060162	SCREW M 6X 16	9	9	9	9	9			
3-1	2	26022-060162	SCREW M 6X 16	4	4	4	4	4		K	
		(A=E00156) (B=E00156) (C=E00156) (D=E00156) (E=E00156)									
4	2	129470-51040	CAMSHAFT	1	1	1	1	1			
5	2	122710-51050	BEARING, ROLLER	2	2	2	2	2			
6	2	129470-51060	RETAINER	1	1	1	1	1			

Remarks
(1) BOOST COMPEMSATOR TYPE. OPTIONAL PART, TO E00155,(4JH-DT, 4JH-DTZ

### ① Ref. No.

The Ref. No. listed may not be in accordance with the illustration Ref. No.

(Ex.) Illustration No. List Ref No.

1 1 (Before change) → 1-1 (After change)

For interchangeable symbols N, R and K, illustrations for new parts may be abbreviated.

### ② Lev. (Level)

Level indication

The numbers below indicate the level of relativity towards the main part.

1 ---- Main parts (Assembly parts)

2 ---- Sub component included in " 1 ".

3 ---- Sub component included in " 2 ".

Note) Parts that are not for sale are partially illustrated but not listed.

### ③ Interchangeability Symbol

When a part change takes place, one of the following interchangeability symbols is indicated beside the part.

Symbol	Interchangeability	Contents note
N	Old $\begin{matrix} \leftarrow \text{Yes} \\ \text{No} \rightarrow \end{matrix}$ New	New Part is interchangeable for Old Part but Old Part is not interchangeable for New Part.
Q	Old $\begin{matrix} \leftarrow \text{No} \\ \text{Yes} \rightarrow \end{matrix}$ New	New Part is not interchangeable for Old Part but Old Part is interchangeable for New Part.
R	Old $\begin{matrix} \leftarrow \text{Yes} \\ \text{Yes} \rightarrow \end{matrix}$ New	New/ Old Parts are both interchangeable.
S	Old $\begin{matrix} \leftarrow \text{No} \\ \text{No} \rightarrow \end{matrix}$ New	New/ Old Parts are both not interchangeable.
W		Part newly added.
Z		Part discontinued.
F		Not interchangeable by a single part but interchangeable together with related parts.
K		Changes only for used parts quantities.

### ④ Effective Machine No.

When a part changes, the effective Machine No. will be indicated in the (A)-(F) column.

Product Symbol	Product No.	Product Symbol	Product No.
C	Clutch No. Compressor No.	F	Machine No. (Agricultural Equip.)
D	Drive No.	M	Machine No.
E	Engine No.		

Note 1) A date may follow the symbol. (Ex.) 1996.01

Note 2) "XXXXX" and "ZZZZZ" are for parts that could not be predicted or for engine models that could not be identified.

Note 3) (A=E00185) is the E (Engine Serial Number) for the column (A) model (in this case 4JH-DT) after the parts design change.

### ⑤ Remarks

Figures or alphabets (symbols) are entered in the remarks column.

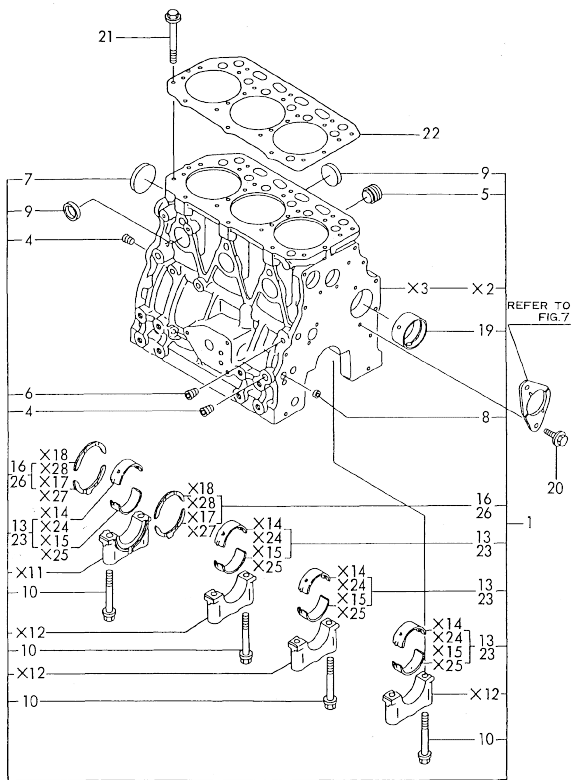
The comments (remarks) on parts that are indicated at the bottom of the illustration are the same symbols as those stated above.

## Contents

Fig. No.	Fig. Name	Fig. No.	Fig. Name
3TNE88-AMM			
1.	CYLINDER BLOCK		
2.	GEAR HOUSING		
3.	FLYWHEEL HOUSING & OIL SUMP		
4.	CYLINDER HEAD & BONNET		
5.	SUCTION MANIFOLD & AIR CLEANER		
6.	EXHAUST MANIFOLD & SILENCER		
7.	CAMSHAFT & DRIVE GEAR		
8.	CRANKSHAFT & PISTON		
9.	LUB. OIL SYSTEM		
10.	COOLING WATER SYSTEM		
11.	FUEL INJECTION PUMP		
12.	GOVERNOR		
13.	FUEL INJECTION VALVE		
14.	FO STRAINER & O/W SEPARATOR		
15.	ENGINE STOP DEVICE		
16.	STARTING MOTOR		
17.	GENERATOR(PREVIOUS)		
18.	GENERATOR(NEW TYPE)		
19.	GASKET SET & TOOL(OPTIONAL)		

Fig.1. CYLINDER BLOCK

Fig. 1 CYLINDER BLOCK



Remarks

- (1) UNDER-SIZE(U.S=0.25)PART.
- (2) OVER-SIZE(O.S=0.25)PART.
- (A) THIS PART IS ALSO SOLD BY GASKET SET(FIG 16,REF NO.1,P/# 729131-92602).

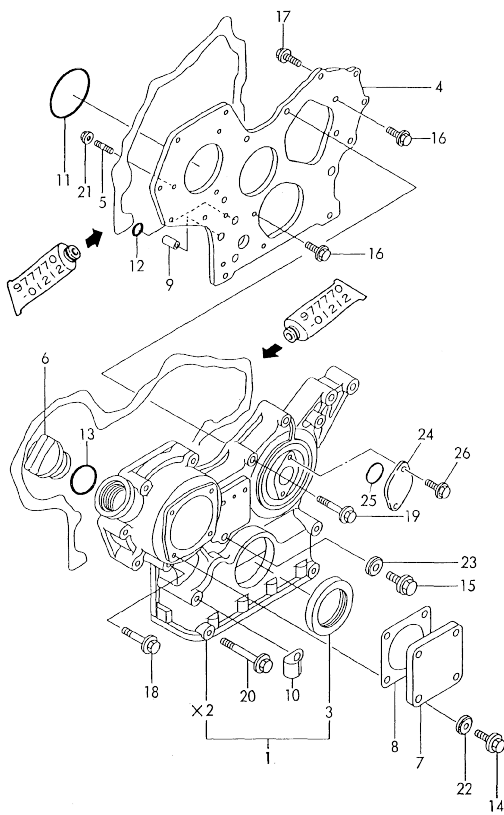
(A)=3TNE88-AMM  
(B)=  
(C)=

(D)=  
(E)=  
(F)=

No.	Lev.	Parts No.	Description	Q'ty						I	R
				(A)	(B)	(C)	(D)	(E)	(F)		
1	1	729001-01560	BLOCK ASSY, CYLINDER	1							
4	2	124160-01910	PLUG, PT1/4	3							
5	2	171051-01921	PLUG, NPTF1	1							
6	2	23871-010000	PLUG, R01	1							
7	2	27231-500000	PLUG 50	1							
8	2	27241-120000	PLUG, 12	2							
9	2	27241-300000	PLUG 30	6							
10	2	129150-02020	BOLT, METAL CAP	8							
13	2	129001-02800	BEARING, MAIN	4							
16	2	129150-02930	BEARING, THRUST	2							
19	2	129795-02411	BUSH, CAMSHAFT	1							
20	1	26106-080162	BOLT, M8X 16 PLATED	2							Z
(A=FROM 1ST)											
21	1	129150-01200	BOLT, HEAD	14							
22	1	129001-01340	GASKET, HEAD	1							A
23	1	129150-02870	BEARING, 0.25 US	4							1
26	1	129150-02940	BEARING, THRUST 0.25	2							2

Fig.2. GEAR HOUSING

Fig. 2 GEAR HOUSING

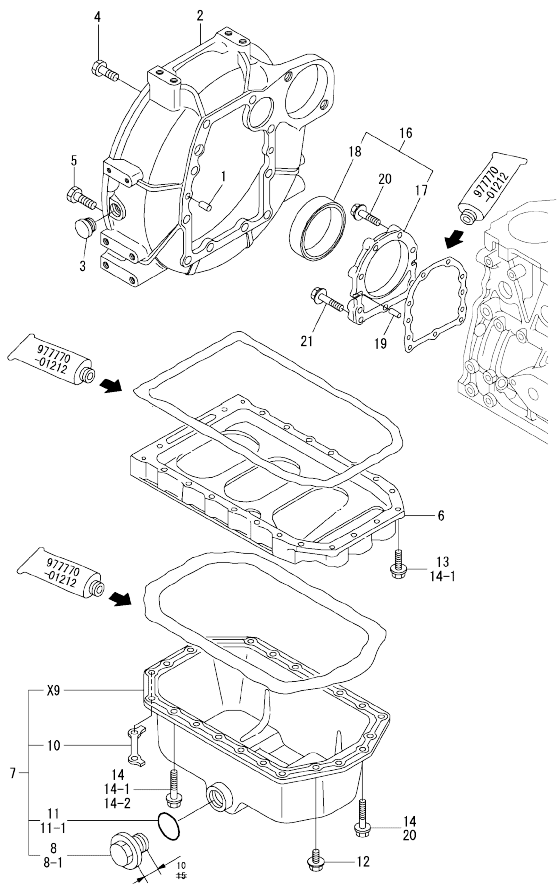


No.	Lev.	Parts No.	Description	Q'ty						I	R
				(A)	(B)	(C)	(D)	(E)	(F)		
1	1	719810-01500	CASE ASSY, GEAR	1							
3	2	129795-01800	SEAL, OIL	1							
4	1	129400-01520	FLANGE, GEAR CASE	1							
5	1	121450-01560	STUD, M8X22	3							
6	1	124160-01751	COVER, FILLER	1							
7	1	124240-01871	COVER	1							
8	1	124240-01883	GASKET	1							A
9	1	129795-01950	PIPE, KNOCK L=18	2							
10	1	129150-03100	RETAINER, PIPE	1							
11	1	121850-51960	O-RING	1							A
12	1	24311-000160	O-RING, 1AP16.0	2							
13	1	24311-000320	O-RING, 1AP32.0	1							A
14	1	26106-080122	BOLT, M8X 12 PLATED	4							
15	1	26106-080162	BOLT, M8X 16 PLATED	1							
16	1	26106-080162	BOLT, M8X 16 PLATED	3							
17	1	26106-080202	BOLT, M8X 20 PLATED	2							
18	1	26106-080452	BOLT, M8X 45 PLATED	6							
19	1	26106-080552	BOLT, M8X 55 PLATED	3							
20	1	26106-080852	BOLT, M8X 85 PLATED	4							
21	1	26366-080002	NUT, M8	3							
22	1	43400-500410	SEAL WASHER 8S	4							
22-1	1	22190-080002	WASHER, SEAL 6	4							N
		(A=E00168)									
23	1	43400-500410	SEAL WASHER 8S	1							
23-1	1	22190-080002	WASHER, SEAL 6	1							N
		(A=E00168)									
24	1	121023-01550	COVER	1							W
		(A=E00168)									
25	1	24341-000240	O-RING, 1AS24.0	1							W
		(A=E00168)									
26	1	26106-060122	BOLT, M6X 12 PLATED	2							W
		(A=E00168)									

Remarks  
 (A) THIS PART IS ALSO SOLD BY GASKET SET (FIG 18, REF NO.1, P/# 729131 -92602).

OCV10-M43401

Fig.3. FLYWHEEL HOUSING & OIL SUMP

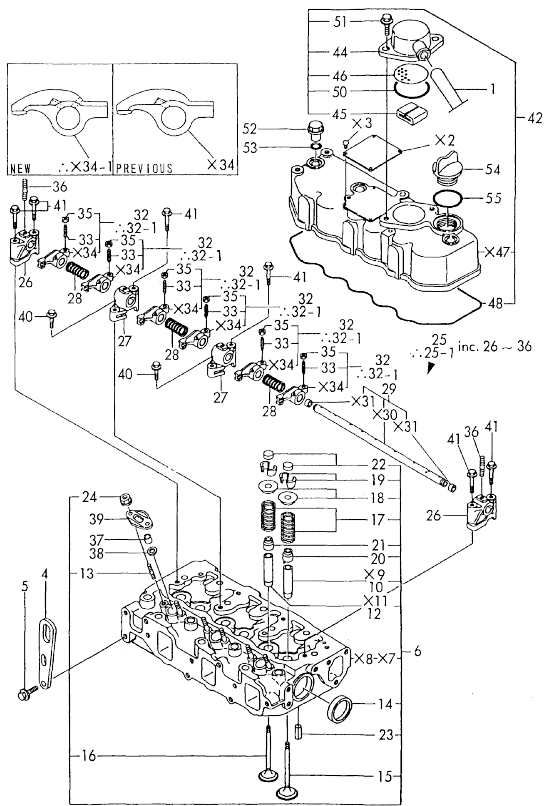


No.	Lev.	Parts No.	Description	Q'ty						I	R
				(A)	(B)	(C)	(D)	(E)	(F)		
1	1	129100-01580	PIN, M8X16		2						
2	1	171301-01600	HOUSING, FLYWHEEL	1							
3	1	119620-01750	CAP	1							
4	1	26206-100252	BOLT, M10X 25 PLATED	6							
5	1	26206-100302	BOLT, M10X 30 PLATED	4							
6	1	129100-01730	SPACER, OIL SUMP	1							
7	1	129100-01770	SUMP ASSY, OIL	1							
8	2	171301-01640	PLUG, 22	1							
8-1	2	119640-01640	PLUG, DRAIN M22	1							S
(A=E00579)											
10	2	129100-01790	RETAINER	2							Z
(A=E00000)											
11	2	24341-000240	O-RING, 1AS24.0	1							
11-1	2	22190-220002	WASHER, SEAL 22	1							S
(A=E00579)											
12	1	26106-080162	BOLT, M8X 16 PLATED	4							
13	1	26106-080252	BOLT, M8X 25 PLATED	2							
14	1	26106-080452	BOLT, M8X 45 PLATED	16							
14-1	1	26106-080452	BOLT, M8X 45 PLATED	20							K
(A=E00634)											
14-2	1	26106-080452	BOLT, M8X 45 PLATED	16							K
(A=FROM 1ST)											
15	1	26106-080502	BOLT, M8X 50 PLATED	4							Z
(A=E00634)											
16	1	129150-01650	CASE, OIL SEAL	1							
16-1	1	129100-01640	CASE ASSY, OIL SEAL	1							N
(A=E00000)											
17	2	129150-01650	CASE, OIL SEAL	1							
18	2	129795-01780	SEAL, OIL	1							
19	1	129100-01580	PIN, M8X16	2							
20	1	26106-080302	BOLT, M8X 30 PLATED	6							
21	1	26106-080352	BOLT, M8X 35 PLATED	3							
22	1	26106-080502	BOLT, M8X 50 PLATED	4							W
(A=FROM 1ST)											

N:Old  $\frac{100}{100}$  New, Q:Old  $\frac{100}{100}$  New, R:Old  $\frac{100}{100}$  New, S:Old  $\frac{100}{100}$  New, W:Add, Z:Discontinued, F:Interchangeable by set, K:Q'ty Change  
 Copyright (C) YANMAR CO., LTD. All Rights Reserved.

Fig.4. CYLINDER HEAD & BONNET

Fig. 4 CYLINDER HEAD & BONNET



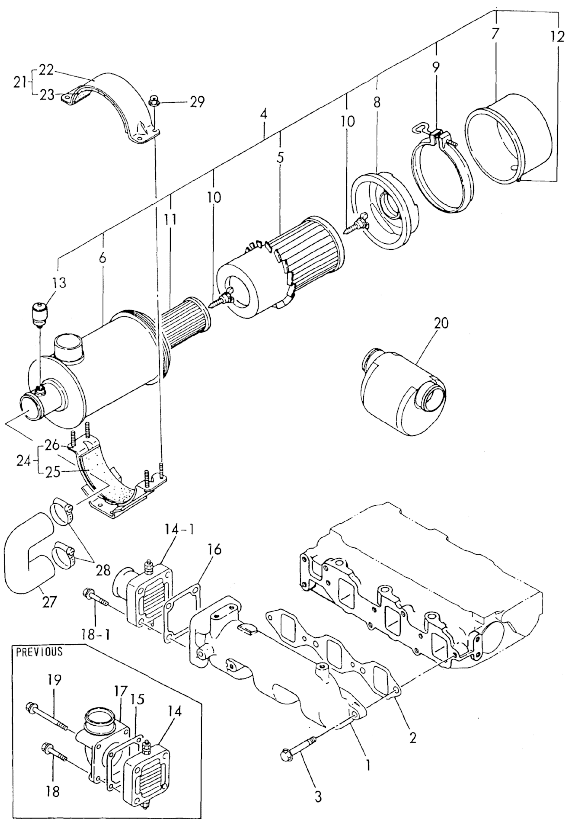
Remarks  
 (1) REPAIR PART.  
 (A) THIS PART IS ALSO SOLD BY GASKET SET (FIG 18, REF NO.1, P/# 729131 -92602).

No.	Lev.	Parts No.	Description	Q'ty						I	R
				(A)	(B)	(C)	(D)	(E)	(F)		
1	1	119856-03090	PIPE, BREATHER	1							
4	1	124736-07900	LIFTER	2							
5	1	26106-080142	BOLT, M8X 14 PLATED	4							
6	1	729001-11700	HEAD ASSY, CYLINDER	1							
10	3	120130-11860	GUIDE, VALVE	3							1
12	3	129150-11810	GUIDE, VALVE	3							1
13	3	26216-060202	STUD, M6X 20	6							
14	3	27241-400000	PLUG, 40	2							
15	2	129100-11100	VALVE, INTAKE	3							
16	2	129100-11110	VALVE, EXHAUST	3							
17	2	129795-11120	SPRING, VALVE	6							
18	2	129795-11180	RETAINER, SPRING	6							
19	2	103338-11190	COTTER	6							
19-1	2	27310-080001	COTTER, 8	6							N
(A=EXXXXX)											
20	2	121400-11340	SEAL, VALVE STEM	3							
21	2	124460-11340	SEAL, VALVE STEM	3							
22	2	129150-11370	CAP, VALVE	6							
23	2	22351-060012	PIN, SPRING 6.0X12	2							
24	2	26366-060002	NUT, M6	6							
25	1	129155-11241	SHAFT ASSY, ROCKER	1							
25-1	1	129100-11240	SHAFT ASSY, ROCKER	1							N
(A=E00579)											
26	2	129155-11260	SUPPORT, ROCKER ARM	2							
27	2	129155-11270	SUPPORT, ROCKER ARM	2							
28	2	129150-11280	SPRING	3							
29	2	129150-11290	SHAFT, ROCKER ARM	1							
32	2	729402-11650	ARM ASSY, ROCKER	6							
32-1	2	129100-11650	ARM, ROCKER	6							N
(A=E00579)											
33	3	129150-11230	SCREW, VALVE ADJUST	6							
35	3	129150-11750	NUT, M8	6							
36	2	26226-080182	STUD, M8X 18	3							
37	1	119625-11870	PROTECTOR, NOZZLE	3							
38	1	119625-11880	SEAT, NOZZLE	3							
39	1	119625-11900	RETAINER, NOZZLE	3							
40	1	26106-080252	BOLT, M8X 25 PLATED	2							
41	1	26106-080502	BOLT, M8X 50 PLATED	6							
42	1	129100-11350	BONNET ASSY, HEAD	1							
44	2	129150-03020	COVER, BREATHER	1							
45	2	129150-03070	BAFFLE, BREATHER	1							
46	2	129150-03080	PLATE, BAFFLE	1							
48	2	129150-11310	GASKET, BONNET	1							A
50	2	24341-000500	O-RING, 1AS50.0	1							A
51	2	26106-080162	BOLT, M8X 16 PLATED	2							
52	1	124160-11360	KNOB	3							
53	1	24311-000120	O-RING, 1AP12.0	3							A
54	1	124160-01751	COVER, FILLER	1							
55	1	24311-000320	O-RING, 1AP32.0	1							A



Fig.5. SUCTION MANIFOLD & AIR CLEANER

Fig. 5 SUC. MANIFOLD & AIR CLEANER



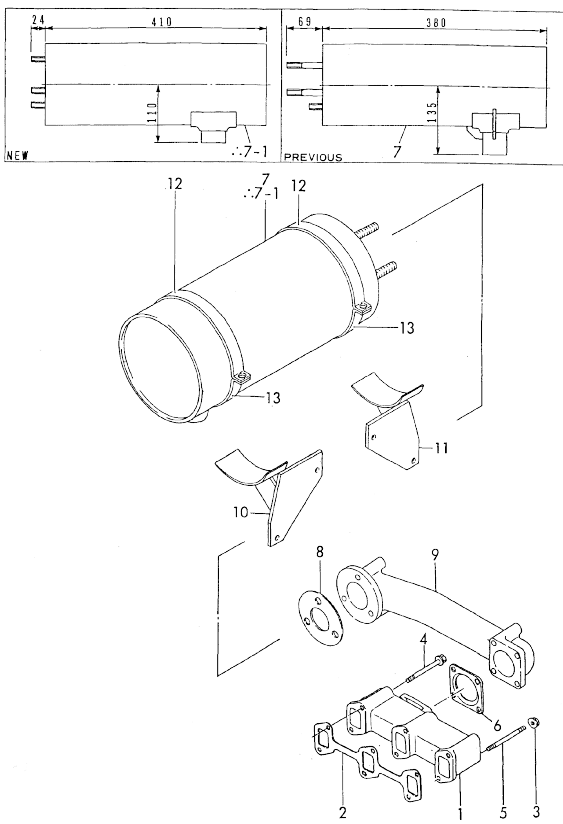
No.	Lev.	Parts No.	Description	Qty						I	R
				(A)	(B)	(C)	(D)	(E)	(F)		
1	1	129122-12100	MANIFOLD, AIR INTAKE	1							
2	1	129150-12111	GASKET, MANIFOLD	1							A
3	1	26106-080252	BOLT, M8X 25 PLATED	4							
4	1	121521-12500	CLEANER ASSY, AIR	1							
5	2	121420-12511	ELEMENT	1							
6	2	171061-12520	BODY, CLEANER	1							
7	2	121422-12530	CUP	1							
8	2	121420-12540	SCARF, BAFFLE	1							
9	2	121420-12550	CLAMP ASSY	1							
10	2	121420-12561	NUT, WING	2							
11	2	121422-12570	ELEMENT	1							
12	2	121422-12580	VALVE, UNLOADER	1							
13	2	126650-12680	INDICATOR	1							
14	1	129100-77500	HEATER, AIR 12V	1							
14-1	1	129120-77501	HEATER	1							S
		(A=E00579)									
15	1	129100-77510	GASKET, AIR HEATER	1							Z
		(A=E00579)									
16	1	129150-77511	GASKET	1							A
17	1	171340-77520	BEND	1							Z
		(A=E00579)									
18	1	26106-080402	BOLT, M8X 40 PLATED	2							
18-1	1	26106-080352	BOLT, M8X 35 PLATED	4							S
		(A=E00579)									
19	1	26106-080802	BOLT, M8X 80 PLATED	2							Z
		(A=E00579)									
20	1	121855-12060	SILENCER ASSY	1							W
		(A=E00634)									
21	1	121400-12540	BAND ASSY, CLEANER	1							W
		(A=E00863)									
22	2	121400-12560	BAND, AIR CLEANER	1							W
		(A=E00863)									
23	2	121400-12570	SEAT, RUBBER B	1							W
		(A=E00863)									
24	1	171351-12580	SUPPORT ASSY, CLEANER	1							W
		(A=E00863)									
25	2	171351-12560	SUPPORT, AIR CLEANER	1							W
		(A=E00863)									
26	2	171351-12570	SEAT, RUBBER	1							W
		(A=E00863)									
27	1	171351-12210	PIPE, AIR INTAKE	1							W
		(A=E01338)									
28	1	23000-060000	CLAMP, 60	6							W
		(A=E01338)									
29	1	26366-060002	NUT, M6	4							W
		(A=E01338)									

Remarks

(A) THIS PART IS ALSO SOLD BY GASKET SET (FIG 18, REF NO.1, P/# 729131 -92602).

Fig.6. EXHAUST MANIFOLD & SILENCER

Fig.6 EXH. MANIFOLD & SILENCER



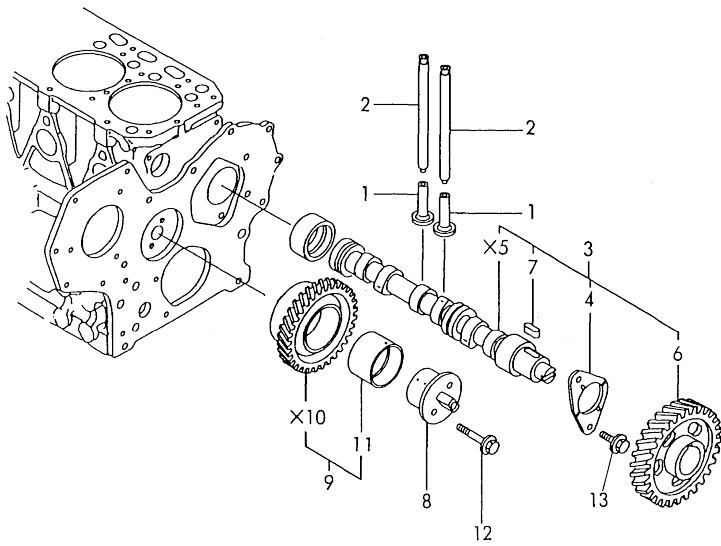
No.	Lev.	Parts No.	Description	Q'ty						I	R
				(A)	(B)	(C)	(D)	(E)	(F)		
1	1	129100-13110	MANIFOLD, EXHAUST	1							
2	1	129150-13110	GASKET	1							A
3	1	194990-22050	NUT, M8	2							
4	1	26106-080802	BOLT, M8X 80 PLATED	4							
5	1	26216-080802	STUD, M8X 80	2							
6	1	124701-11911	GASKET, SILENCER	1							A
7	1	129130-13500	SILENCER	1							
7-1	1	129131-13520 (A=E00579)	SILENCER	1							S
8	1	103954-13200	GASKET, SILENCER	1							
8-1	1	103954-13201 (A=E00634)	GASKET, SILENCER	1							N
9	1	129130-13550 (A=E00579)	PIPE	1							Z
10	1	129130-13650 (A=E00579)	SUPPORT	1							Z
11	1	129130-13660 (A=E00579)	SUPPORT	1							Z
12	1	129111-13670 (A=E00579)	BAND, SILENCER	2							Z
13	1	129111-13680 (A=E00579)	BAND, SILENCER	2							Z

Remarks  
 (A) THIS PART IS ALSO SOLD BY GASKET SET (FIG 18. REF NO.1, P/# 729131 -92602).

OCV10-M43401

Fig.7. CAMSHAFT & DRIVE GEAR

Fig.7 CAMSHAFT & DRIVING GEAR

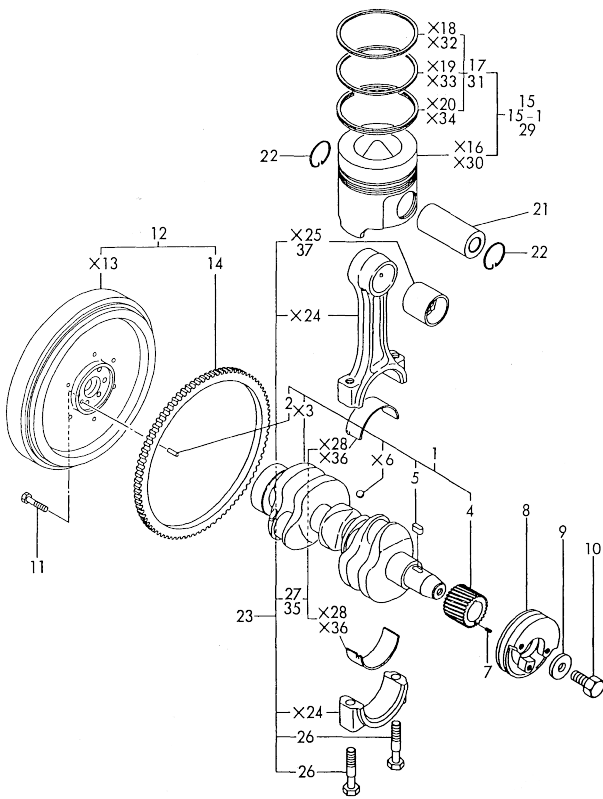


No.	Lev.	Parts No.	Description	Q'ty						I	R
				(A)	(B)	(C)	(D)	(E)	(F)		
1	1	129150-14200	TAPPET	6							
2	1	129150-14400	ROD, PUSH L=178	6							
3	1	129129-14580	CAMSHAFT ASSY	1							
4	2	129150-02450	BEARING, THRUST	1							
6	2	129150-14101	GEAR, CAMSHAFT	1							
7	2	22512-070140	KEY, 7X 14	1							
8	1	129100-25061	SHAFT, IDLE	1							
9	1	129150-25101	GEAR ASSY, IDLE	1							
11	2	129150-25061	BUSH, IDLE GEAR	1							
12	1	26106-080452	BOLT, M8X 45 PLATED	2							
13	1	26106-080162	BOLT, M8X 16 PLATED	2							W

(A)=FROM 1ST)

Fig.8. CRANKSHAFT & PISTON

Fig. 8 CRANKSHAFT & PISTON



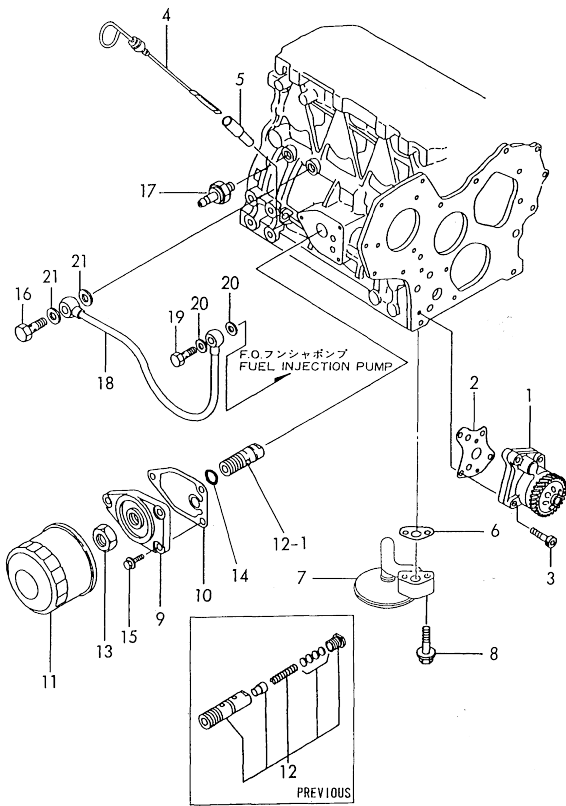
No.	Lev.	Parts No.	Description	Q'ty						I	R
				(A)	(B)	(C)	(D)	(E)	(F)		
1	1	129001-21000	CRANKSHAFT ASSY	1							
2	2	129100-01580	PIN, M8X16	1							
4	2	129150-21200	GEAR, CRANKSHAFT	1							
5	2	22512-070140	KEY, 7X 14	1							
7	1	22351-040010	PIN, SPRING 4.0X10	1							
8	1	171340-21650	V-PULLEY	1							
9	1	129795-21661	WASHER	1							
10	1	121850-21680	BOLT	1							
11	1	121111-21501	BOLT, FLYWHEEL	6							
12	1	129128-21590	FLYWHEEL ASSY	1							
14	2	119865-21600	GEAR, RING	1							
15	1	129001-22080	PISTON ASSY	3							
15-1	1	129001-22081	PISTON ASSY	3						S	4
(A=E00539)											
17	2	129001-22500	RING SET, PISTON	3							
21	1	129202-22300	PIN, PISTON D26 L70	3							
22	1	22252-000260	RING, 26	6							
23	1	729402-23100	ROD ASSY, CONNECTING	3							
26	2	121550-23200	BOLT, CONNECTING ROD	6							
27	2	129150-23600	BEARING, CRANK PIN	3							
29	1	129001-22900	PISTON ASSY, 0.25 OS	3							1
31	2	129001-22950	RING SET, 0.25 OS	3							1
35	1	129150-23610	BEARING, 0.25 US	3							2
37	1	129100-23910	BEARING, PISTON PIN	3							3

Remarks

- (1) OVER-SIZE(O.S=0.25)PART.
- (2) UNDER-SIZE(U.S=0.25)PART.
- (3) REPAIR PART.
- (4) CHANGING THE MATERIAL

Fig.9. LUB. OIL SYSTEM

Fig.9 LUB. OIL SYSTEM

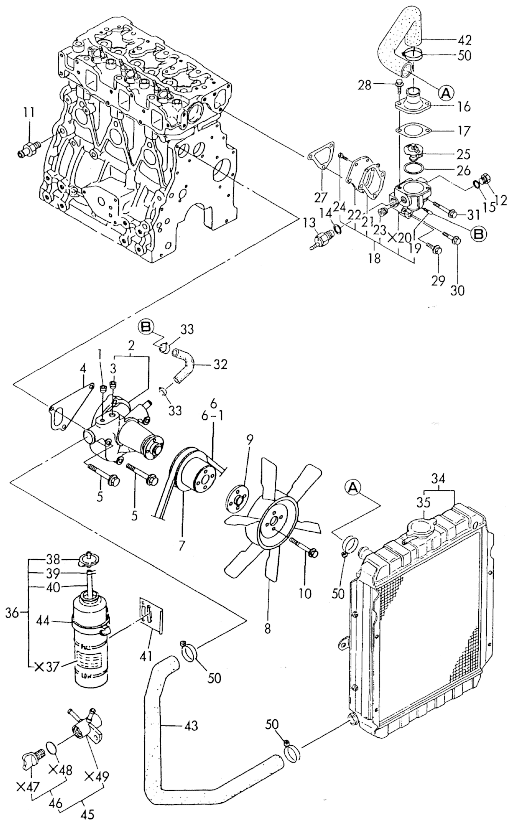


No.	Lev.	Parts No.	Description	Q'ty						I	R
				(A)	(B)	(C)	(D)	(E)	(F)		
1	1	129150-32000	PUMP ASSY, OIL	1							
1-1	1	129001-32001	PUMP ASSY, OIL	1							N
(A=E01264)											
2	1	129150-32020	GASKET, PUMP	1							A
3	1	26450-060252	BOLT, M6X 25	4							
4	1	171420-34820	DIPSTICK, OIL	1							
5	1	121520-34810	GUIDE, DIPSTICK	1							
6	1	129150-35041	GASKET	1							A
7	1	129100-35301	PIPE ASSY, OIL INLET	1							
8	1	26106-080352	BOLT, M8X 35 PLATED	2							
9	1	129150-35101	BRACKET, STRAINER	1							
10	1	129150-35111	GASKET	1							A
11	1	129150-35151	FILTER, D80XL80	1							
12	1	119865-35300	VALVE ASSY, CONTROL	1							
12-1	1	129001-35300	BOLT, FILTER	1							S
(A=E01338)											
13	1	129150-35350	NUT	1							
14	1	24311-000160	O-RING, 1AP16.0	1							
15	1	26106-080202	BOLT, M8X 20 PLATED	3							
16	1	124160-39140	BOLT, PIPE JOINT M10	1							
17	1	124160-39450	SWITCH, 0.5KG	1							
18	1	129150-39450	PIPE ASSY, OIL	1							
19	1	124550-59820	BOLT, PIPE JOINT M8	1							
20	1	23414-080000	GASKET, 8X1.0	2							
21	1	23414-100000	GASKET, 10X1.0	2							

Remarks  
 (A) THIS PART IS ALSO SOLD BY GASKET SET (FIG 18, REF NO.1, P/# 729131 -92602).

Fig.10. COOLING WATER SYSTEM

Fig. 10 COOLING WATER SYSTEM



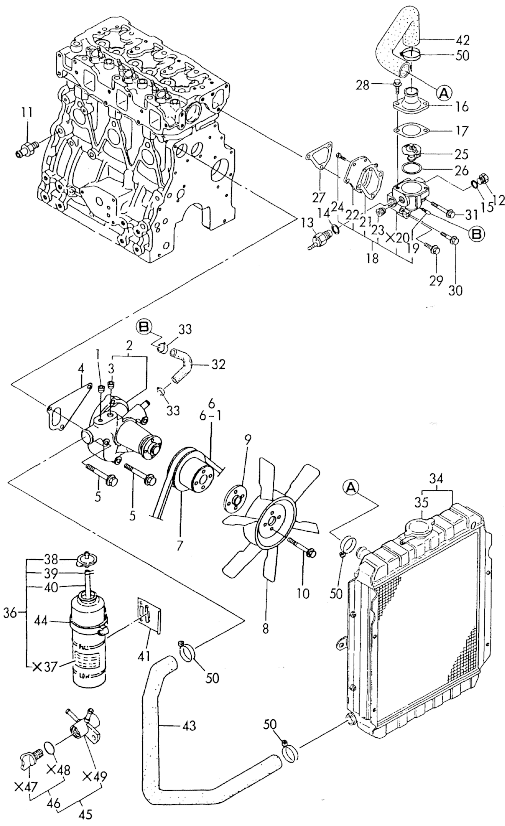
Remarks  
 (A) THIS PART IS ALSO SOLD BY GASKET SET (FIG 18, REF NO.1, P/# 729131 -92602).

No.	Lev.	Parts No.	Description	Q'ty						I	R
				(A)	(B)	(C)	(D)	(E)	(F)		
1	1	121850-11860	PLUG, PT1/4	1							
2	1	129100-42002	PUMP ASSY, WATER	1							
3	2	23871-030000	PLUG, R03	1							
4	1	129100-42020	GASKET, WATER PUMP	1							A
5	1	26106-080602	BOLT, M8X 60 PLATED	3							
6	1	124732-42290	V-BELT, AX37	1							
6-1	1	124722-42290	V-BELT, A40	1							S
(A=E0000)											
7	1	129403-42380	V-PULLEY, D=110	1							
8	1	129354-44740	FAN, COOLING	1							
9	1	129350-44760	SPACER	1							
10	1	26014-060252	BOLT, M6X 25	4							
11	1	121550-49111	JOINT, PT1/4	1							
12	1	121450-42450	PLUG, M16	1							
13	1	121250-44901	SWITCH, 110	1							
14	1	124465-44950	GASKET, 16	1							A
15	1	124465-44950	GASKET, 16	1							A
16	1	129350-49530	COVER, THERMOSTAT	1							
17	1	129795-49551	GASKET	1							A
18	1	129100-49800	CASE ASSY, THERMOSTAT	1							
19	2	124770-11770	JOINT, PIPE PT1/8	1							
21	2	129100-49820	GASKET	1							
22	2	129100-49830	COVER, THERMOSTAT	1							
23	2	23871-030000	PLUG, R03	1							
24	2	26116-060162	BOLT, M6X 16 PLATED	2							
25	1	129155-49800	THERMOSTAT, 71	1							
26	1	129150-49811	GASKET, THERMOSTAT	1							A
27	1	129100-49840	GASKET	1							A
28	1	26106-080202	BOLT, M8X 20 PLATED	2							
29	1	26106-080252	BOLT, M8X 25 PLATED	1							
30	1	26106-080502	BOLT, M8X 50 PLATED	1							
31	1	26106-080602	BOLT, M8X 60 PLATED	1							
32	1	129100-49050	PIPE, WATER	1							
32-1	1	129132-49050	PIPE, WATER	1							N
(A=E01264)											
33	1	23000-016000	CLAMP, 16	2							
34	1	171440-44500	RADIATOR	1							
35	2	123682-44210	CAP, RADIATOR	1							
36	1	124450-44510	TANK ASSY, SUB	1							
38	2	124450-44530	CAP	1							
39	2	124450-44560	RETAINER	1							
40	2	23061-070230	PIPE, 7X 230	1							
41	1	121256-44600	BRACKET, SUB TANK	1							
42	1	171301-49010	PIPE, WATER	1							
43	1	171301-49020	PIPE, WATER	1							
44	1	124450-44550	BAND	1							W
(A=E00634)											
45	1	129150-49100	COCK ASSY, 3-WAY	1							W
(A=E00634)											
46	2	129150-49080	COCK, DRAIN	1							W
(A=E00634)											

N:Old  $\frac{New}{Old}$  New, Q:Old  $\frac{New}{Old}$  New, R:Old  $\frac{New}{Old}$  New, S:Old  $\frac{New}{Old}$  New, W:Add, Z:Discontinued, F:Interchangeable by set, K:Q'ty Change  
 ++ CONTINUE ++  
 Copyright (C) YANMAR CO., LTD. All Rights Reserved.

Fig.10. COOLING WATER SYSTEM

Fig. 10 COOLING WATER SYSTEM

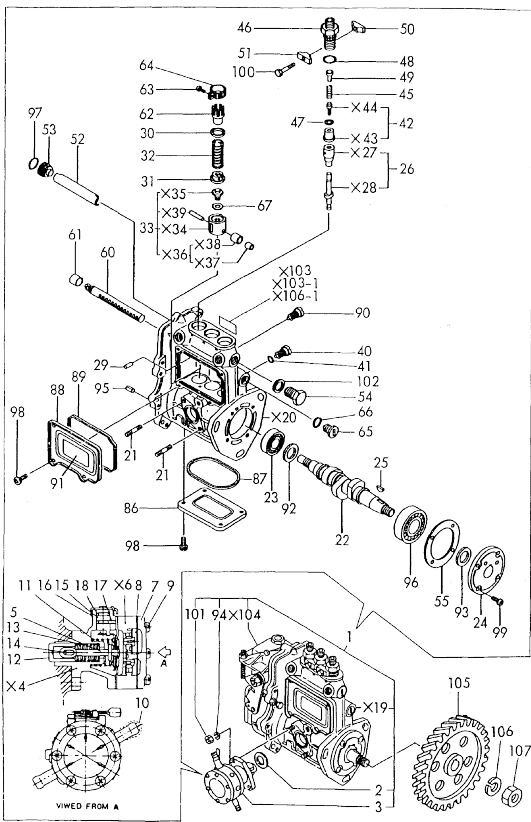


No.	Lev.	Parts No.	Description	Q'ty						I	R
				(A)	(B)	(C)	(D)	(E)	(F)		
50	1	23010-038000 (A=E00634)	CLAMP, 38	4							W

Remarks  
 (A) THIS PART IS ALSO SOLD BY GASKET SET (FIG 18, REF NO.1, P/# 729131 -92602).

Fig.11. FUEL INJECTION PUMP

Fig. 11 FUEL INJECTION PUMP



Remarks  
 (1) GOVERNOR ASSY(FIG.NO.12) IS  
 INCORPORATED IN THIS FOP C/M  
 (REF.NO.1).

(A)=3TNE88-AMM  
 (B)=  
 (C)=

(D)=  
 (E)=  
 (F)=

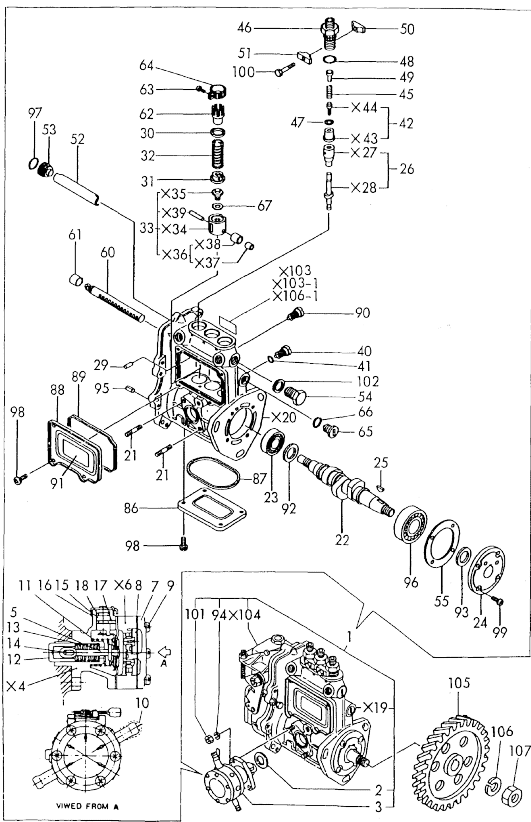
No.	Lev.	Parts No.	Description	Q'ty						I	R
				(A)	(B)	(C)	(D)	(E)	(F)		
1	1	729130-51350	PUMP ASSY, INJECTION	1							1
2	2	129155-52050	GASKET	1							
3	2	129100-52100	PUMP ASSY, FUEL FEED	1							
5	3	129158-52020	DIAPHRAGM	1							
7	3	129158-52060	COVER	1							
8	3	129158-52070	GASKET	1							
9	3	129158-52080	SCREW	6							
10	3	129158-52090	CAP	2							
11	3	129158-52160	SPRING	1							
12	3	129158-52250	TAPPET	1							
13	3	129158-52260	SPRING	1							
14	3	129158-52270	PIN	1							
15	3	129158-52350	LEVER	1							
16	3	129158-52360	SPRING, RETURN	1							
17	3	129158-52370	PIN	1							
18	3	129158-52380	O-RING	1							
21	2	129155-51020	STUD	2							
22	2	119810-51040	CAMSHAFT	1							
23	2	129155-51050	BEARING, 17BM001D	1							
24	2	129155-51060	SUPPORT, CAMSHAFT	1							
25	2	122710-51090	KEY	1							
26	2	129506-51100	PLUNGER ASSY	3							
29	2	129155-51140	PIN	3							
30	2	174307-51170	RETAINER, SPRING A	3							
31	2	129155-51180	RETAINER, SPRING	3							
32	2	124950-51190	SPRING, PLUNGER	3							
33	2	129155-51200	TAPPET ASSY	3							
40	2	129155-51270	STOPPER, TAPPET	3							
41	2	129155-51280	O-RING, S6	3							
42	2	129505-51300	VALVE ASSY, DELIVERY	3							
45	2	129155-51320	SPRING, DELIVERY	3							
46	2	129155-51340	RETAINER	3							
47	2	124550-51350	GASKET, DELIVERY	3							
48	2	124550-51370	O-RING	3							
49	2	129155-51370	STOPPER, VALVE	3							
50	2	129155-51380	STOPPER	2							
51	2	129155-51390	STOPPER	2							
52	2	129155-51400	DEFLECTOR	1							
53	2	129155-51410	BOLT	1							
54	2	129155-51420	PLUG, M16	1							
55	2	129155-51450	SHIM SET, ADJUSTING	1							
60	2	129155-51500	RACK, CONTROL	1							
61	2	129155-51521	BUSH, RACK	1							
62	2	129155-51550	PINION, CONTROL	3							
63	2	122117-51560	SCREW	3							
64	2	174307-51560	PINION	3							
65	2	129155-51570	PLUG, M12	1							
66	2	129155-51580	O-RING	1							
67	2	129155-51600	SHIM SET, ADJUSTING	3							
86	2	129155-51700	COVER	1							
87	2	129155-51710	GASKET	1							

N:Old  $\frac{100}{100}$  New, Q:Old  $\frac{100}{100}$  New, R:Old  $\frac{100}{100}$  New, S:Old  $\frac{100}{100}$  New, W:Add, Z:Discontinued, F:Interchangeable by set, K:Q'ty Change  
 ++ CONTINUE ++  
 Copyright (C) YANMAR CO., LTD. All Rights Reserved.



Fig.11. FUEL INJECTION PUMP

Fig. 11 FUEL INJECTION PUMP

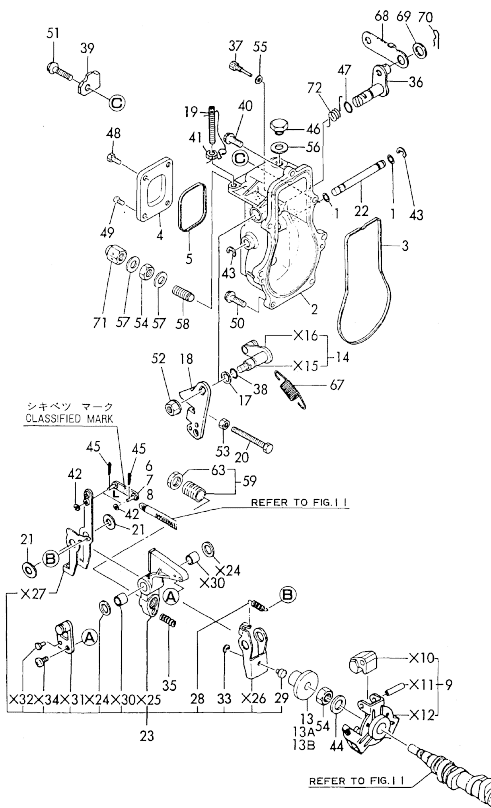


No.	Lev.	Parts No.	Description	Q'ty						I	R
				(A)	(B)	(C)	(D)	(E)	(F)		
88	2	129155-51750	COVER	1							
89	2	129155-51760	GASKET	1							
90	2	129155-51790	STOOPER, RACK	1							
91	2	129156-51910	LABEL, CAUTION	1							
92	2	129155-51930	SPACER, T=3.25	1							
93	2	129155-51940	SPACER, T=1.5	1							
94	2	22217-060000	WASHER, SPRING 6	2							
95	2	22351-050010	PIN, SPRING 5.0X10	2							
96	2	24101-063034	BEARING, BALL 6303	1							
97	2	24341-000160	O-RING, 1AS16.0	1							
98	2	26022-050102	SCREW, M5X10	8							
99	2	26022-060162	SCREW, M6X16	4							
100	2	26116-050302	BOLT, M5X 30 PLATED	2							
101	2	26716-060002	NUT, M6	2							
102	2	22190-160002	WASHER, SEAL 16	1							
105	1	129150-25900	GEAR, PUMP	1							
106	1	22217-120000	WASHER, SPRING 12	1							
107	1	26716-120002	NUT, M12	1							

Remarks  
 (1) GOVERNOR ASSY(FIG.NO.12) IS  
 INCORPORATED IN THIS FOP CMP  
 (REF.NO.1).

Fig.12. GOVERNOR

Fig. 12 GOVERNOR



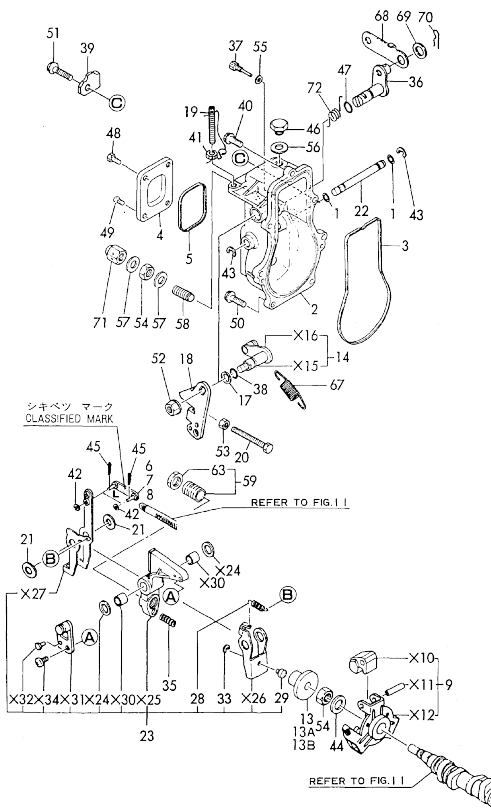
Remarks

- (1) SELECTIVE PART. CERTAIN THE SIZE OF "L". THEN PLACE YOUR ORDER. (REFER TO ILLUSTRATION).
- (2) SELECTIVE PART.

No.	Lev.	Parts No.	Description	Q'ty						I	R
				(A)	(B)	(C)	(D)	(E)	(F)		
1	2	129155-51280	O-RING, S6	2							
2	2	129155-61012	CASE, GOVERNOR	1							
3	2	129155-61050	GASKET	1							
4	2	129155-61060	COVER, GOVERNOR CASE	1							
5	2	129155-61070	GASKET	1							
6	2	129155-61120	LINK, L=30 MARK 0	1							1
7	2	129155-61130	LINK, L=31 MARK 1	1							1
8	2	129155-61140	LINK, L=30.5 MARK 05	1							1
9	2	129155-61201	WEIGHT ASSY, GOVERNOR	1							
13	2	129155-61341	SLEEVE	1							2
13A	2	129155-61350	SLEEVE, L=24.9	1							W 2
(A=FROM 1ST)											
13B	2	129155-61360	SLEEVE, L=25.2	1							W 2
(A=FROM 1ST)											
14	2	129100-61400	SHAFT ASSY	1							
17	2	129155-61430	SPACER	1							
18	2	129100-61440	LEVER, CONTROL	1							
19	2	129155-61450	BOLT, LIMITER	1							
20	2	129155-61460	BOLT, IDLE	1							
21	2	129155-61480	SPACER ASSY	2							
22	2	129155-61490	SHAFT	1							
23	2	119843-61500	LEVER ASSY, GOVERNOR	1							
28	3	119843-61540	SPRING, SET	1							
29	3	129155-61540	SHIFTER	1							
33	3	22272-000040	RING, E-4	1							
35	2	129100-61650	SPRING, CONTROLLER	1							
36	2	129129-61801	LEVER ASSY, STOP	1							
37	2	129155-61810	PIN	1							
38	2	129155-61830	O-RING, S10	1							
39	2	129116-61890	SUPPORT	1							
40	2	129155-61950	BOLT	1							
41	2	124550-66370	NUT, M6	1							
42	2	22117-040000	WASHER, 4	1							
43	2	22272-000060	RING, E-6	2							
44	2	22287-120000	WASHER, 12	1							
45	2	22372-040000	PIN, SNAP 4	2							
46	2	23887-100002	PLUG, 10	1							
47	2	24311-240100	O-RING, 1AP10A	1							
48	2	26022-050102	SCREW, M5X10	2							
49	2	26023-050102	SCREW, M5X10	2							
50	2	26106-060202	BOLT, M6X 20 PLATED	5							
51	2	26106-060252	BOLT, M6X 25 PLATED	1							
52	2	26366-080002	NUT, M8	1							
52-1	2	129255-61410	NUT, LOCK	1							N
(A=E00539)											
53	2	26756-060002	NUT, LOCK M6	1							
54	2	26776-120002	NUT, LOCK M12	2							
55	2	22190-060002	WASHER, SEAL 6	1							
56	2	22190-100002	WASHER, SEAL 10	1							
57	2	22190-120002	WASHER, SEAL 12	2							
58	1	129155-61470	BOLT, CONTROL	1							

Fig.12. GOVERNOR

Fig. 12 GOVERNOR



Remarks

- (1) SELECTIVE PART. CERTAIN THE SIZE OF "L". THEN PLACE YOUR ORDER. (REFER TO ILLUSTRATION).
- (2) SELECTIVE PART.

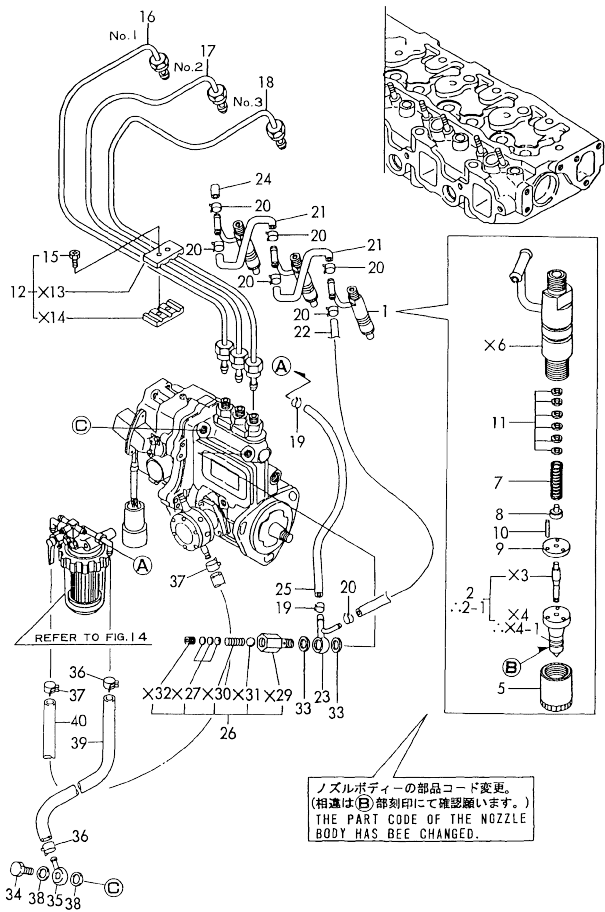
(A)=3TNE88-AMM  
(B)=  
(C)=

(D)=  
(E)=  
(F)=

No.	Lev.	Parts No.	Description	Q'ty						I	R
				(A)	(B)	(C)	(D)	(E)	(F)		
59	1	129132-61550	ANGLEICH ASSY	1							
59-1	1	171353-61550	ANGLEICH ASSY	1							N
(A=E00863)											
63	2	129155-61590	NUT, LOCK	1							
67	1	129489-61700	SPRING, GOVERNOR	1							
67-1	1	171353-61710	SPRING, GOVERNOR	1							N
(A=E00863)											
68	1	129129-66860	LINK, SOLENOID	1							
69	1	22117-080000	WASHER, 8	1							
70	1	22372-080000	PIN, SNAP 8	1							
71	1	26687-120002	NUT, CAP M12	1							
72	1	129255-61420	SPRING, RETURN	1							W
(A=E00539)											

Fig.13. FUEL INJECTION VALVE

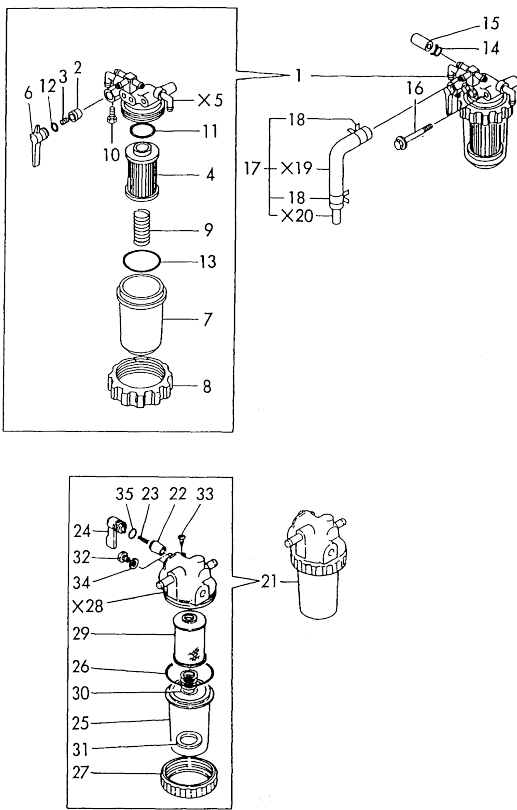
Fig. 13 FUEL INJECTION VALVE



No.	Lev.	Parts No.	Description	Q'ty						I	R
				(A)	(B)	(C)	(D)	(E)	(F)		
1	1	729500-53100	VALVE ASSY,INJECTION	1							
1-1	1	729503-53100 (A=E00579)	VALVE ASSY,INJECTION	1							N
2	2	129500-53000	VALVE ASSY,INJECTION	3							S
2-1	2	129503-53000 (A=E00579)	VALVE ASSY,INJECTION	3							
5	2	114250-53080	NUT, NOZZLE D16.95	3							
7	2	114250-53120	SPRING, NOZZLE	3							
8	2	114250-53130	SEAT, SPRING	3							
9	2	114250-53140	PLATE	3							
10	2	114250-53210	PIN	6							
11	2	114250-53400	SHIM SET	3							
12	1	129150-59120	RETAINER, PIPE	1							
15	2	129150-59130	BOLT, M4X12	2							
15-1	2	129150-59131	BOLT, M4X14	2							N
(A=E00863)											
16	1	129100-59910	PIPE ASSY, INJECTION	1							
17	1	129100-59920	PIPE ASSY, INJECTION	1							
18	1	129100-59930	PIPE ASSY, INJECTION	1							
19	1	124766-59050	CLIP, HOSE 12	2							
20	1	124066-59100	CLIP, HOSE 8	7							
21	1	121250-59550	PIPE, FUEL D8X120	2							
22	1	119840-59560	PIPE, FUEL RETURN	1							
23	1	119840-59570	JOINT	1							
24	1	129150-59580	CAP	1							
25	1	105025-59750	PIPE, FUEL	1							
25-1	1	129255-59580	PIPE, FUEL	1							N
(A=E00863)											
26	1	129100-59951	VALVE ASSY, CHECK	1							
33	1	23414-120000	GASKET, 12X1.0	2							
34	1	103854-39140	BOLT, PIPE JOINT	1							
35	1	101304-59020	JOINT, PIPE 12	1							
36	1	124766-59050	CLIP, HOSE 12	2							
37	1	124766-59050	CLIP, HOSE 12	2							
38	1	104200-59170	GASKET, 12	2							
39	1	129150-59511	PIPE, FUEL	1							
40	1	129255-59580	PIPE, FUEL	1							

Fig.14. FO STRAINER & OW SEPARATOR

Fig. 14 FUEL STRAINER & OIL/WATER SEPARATOR

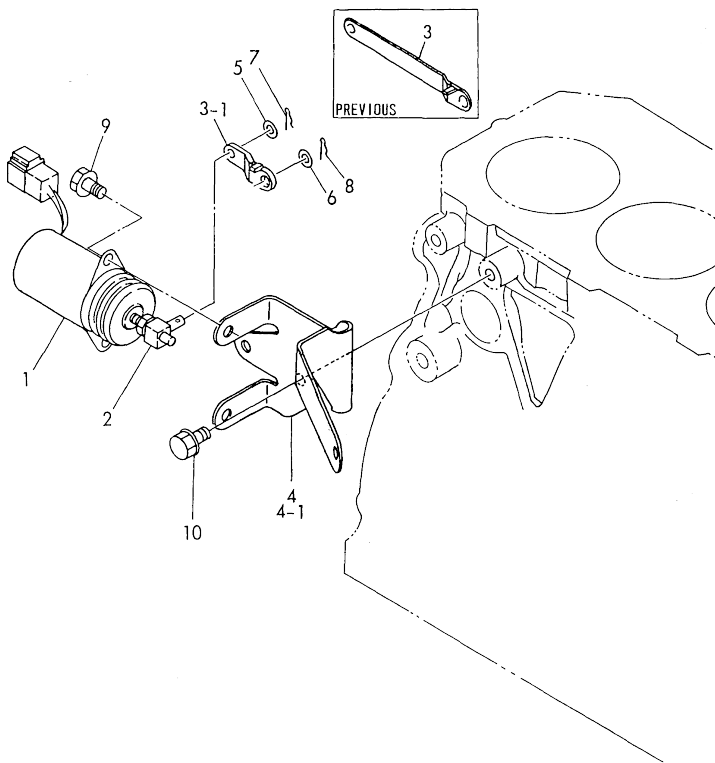


No.	Lev.	Parts No.	Description	Q'ty						I	R
				(A)	(B)	(C)	(D)	(E)	(F)		
1	1	129100-55621	FILTER ASSY, FUEL	1							
2	2	104200-55321	VALVE, TAPER	1							
3	2	104200-55330	SPRING, VALVE	1							
4	2	129100-55650	ELEMENT	1							
6	2	129100-55670	LEVER	1							
7	2	129100-55680	CUP, STRAINER	1							
8	2	129100-55690	RING, RETAINING	1							
9	2	129100-55700	SPRING	1							
10	2	104200-55750	SCREW, M4	1							
11	2	24311-000160	O-RING, 1AP16.0	1							
12	2	24311-240100	O-RING, 1AP10A	1							
13	2	24321-000650	O-RING, 1AG65.0	1							A
14	1	124066-59100	CLIP, HOSE 8	1							
15	1	129150-59580	CAP	1							
16	1	26014-080702	BOLT, M8X 70	1							
17	1	119840-59601	BEND	1							
18	2	124766-59050	CLIP, HOSE 12	2							
21	1	121850-55800	SEPARATOR ASSY, WATER	1							
22	2	104200-55321	VALVE, TAPER	1							
23	2	104200-55330	SPRING, VALVE	1							
24	2	104200-55341	HANDLE	1							
25	2	121254-55510	COVER	1							
26	2	102103-55520	O-RING	1							
27	2	110250-55610	RING, RETAINING	1							
29	2	121850-55710	SCREEN	1							
30	2	121257-55720	SPRING	1							
31	2	121257-55731	FLOAT	1							
32	2	101720-55750	PLUG, 6	2							
33	2	104200-55750	SCREW, M4	1							
34	2	23418-060000	GASKET, 6X1.0	2							
35	2	24311-240100	O-RING, 1AP10A	1							

Remarks  
 (A) THIS PART IS ALSO SOLD BY GASKET SET (FIG 18, REF NO.1, P/# 729131 -92602).

Fig.15. ENGINE STOP DEVICE

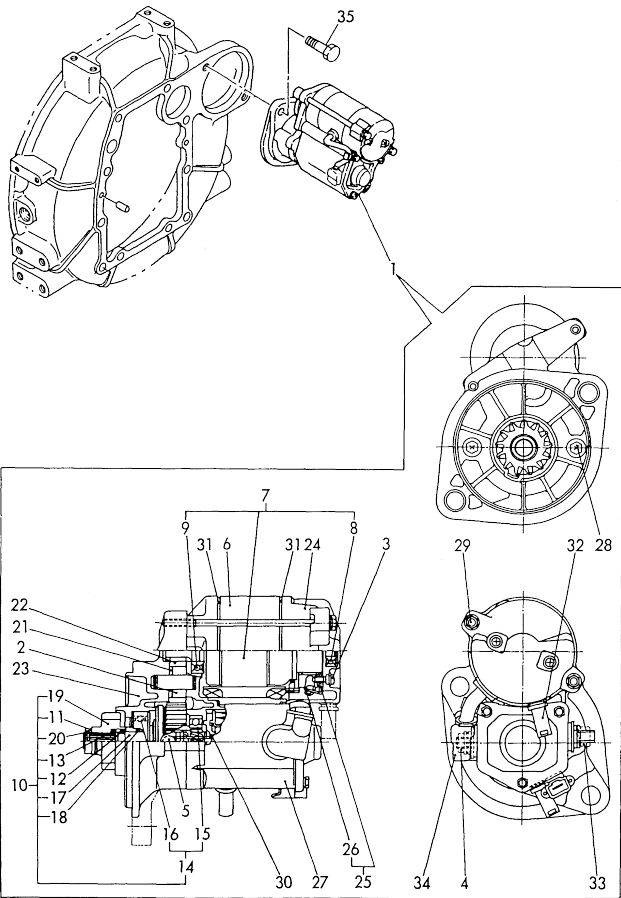
Fig. **15** ENGINE STOP DEVICE



No.	Lev.	Parts No.	Description	Q'ty						I	R
				(A)	(B)	(C)	(D)	(E)	(F)		
1	1	119629-66800	SOLENOID	1							
2	1	119620-66820	JOINT	1							
3	1	129429-66860	LINK	1							
3-1	1	129129-66860	LINK, SOLENOID	1							S
		(A=EXXX)									
4	1	129429-66870	BRACKET, SOLENOID	1							
4-1	1	119820-66870	BRACKET, SOLENOID	1							S
		(A=EXXX)									
5	1	22117-060000	WASHER, 6	1							
6	1	22117-080000	WASHER, 8	1							
7	1	22360-060000	PIN, SNAP 6	1							
8	1	22360-080000	SNAP PIN 8	1							
9	1	26106-060102	BOLT, M6X 10 PLATED	2							
10	1	26106-080142	BOLT, M8X 14 PLATED	2							
10-1	1	26106-080162	BOLT, M8X 16 PLATED	2							N
		(A=EXXX)									

Fig.16. STARTING MOTOR

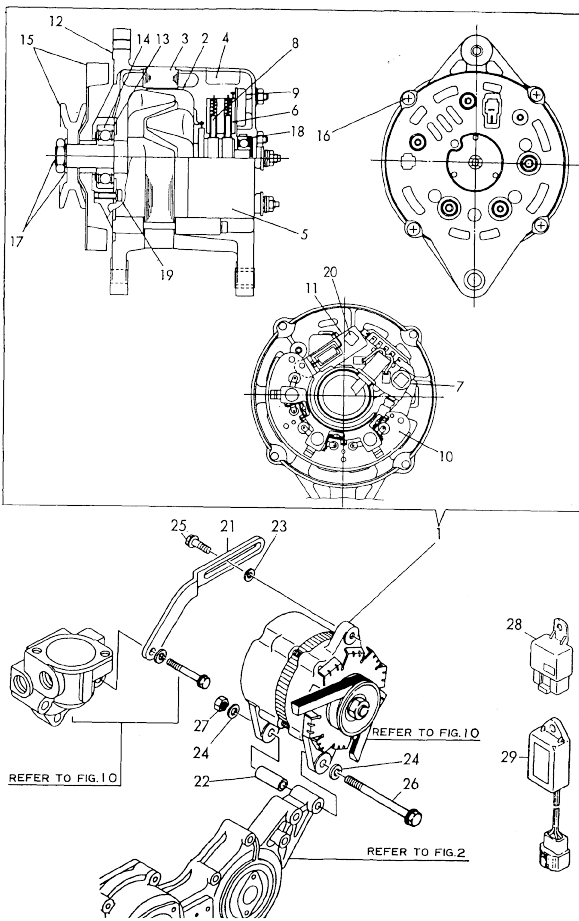
Fig. **16** STARTING MOTOR



No.	Lev.	Parts No.	Description	Q'ty						I	R
				(A)	(B)	(C)	(D)	(E)	(F)		
1	1	129129-77010	STARTER ASSY	1							
2	2	X0283060061	ROLLER	5							
3	2	X0289030010	SCREW	2							
4	2	X9490561370	NUT	1							
5	2	X9491200240	BALL	1							
6	2	129129-77210	YOKE ASSY	1							
7	2	129129-77220	ARMATURE ASSY	1							
8	3	129129-77230	BEARING	1							
9	3	129129-77240	BEARING	1							
10	2	129129-77250	STARTER	1							
11	3	X0280210230	NUT	1							
12	3	X0283270140	RETAINER	1							
13	3	X9491703371	SPRING, COIL	1							
14	3	129129-77390	CLUTCH ASSY, STARTER	1							
15	4	129129-77440	BEARING	1							
16	4	129129-77450	BEARING	1							
17	3	129129-77400	SHAFT	1							
18	3	129129-77410	SPRING, COIL	1							
19	3	129129-77420	PINION	1							
20	3	129129-77430	RING	1							
21	2	129129-77260	RETAINER	1							
22	2	129129-77270	PINION	1							
23	2	129129-77280	HOUSING	1							
24	2	129129-77290	FRAME	1							
25	2	129129-77300	HOLDER ASSY	1							
26	3	X9491730461	SPRING	4							
27	2	129129-77310	SWITCH ASSY	1							
28	2	129129-77320	BOLT	2							
29	2	129129-77330	BOLT	2							
30	2	129129-77340	SPRING	1							
31	2	129129-77350	O-RING	2							
32	2	129129-77360	BUSH, DRAIN	1							
32-1	2	X0280620480	COVER	1							N
		(A=E01264)									
32-2	2	129129-77361	BUSH	1							N
		(A=E01338)									
33	2	129129-77370	NUT	1							
34	2	129129-77380	CAP	1							
35	1	26116-120252	BOLT, M12X 25 PLATED	2							

Fig.17. GENERATOR(PREVIOUS)

Fig. 17 GENERATOR (PREVIOUS)



(A)=3TNE88-AMM  
(B)=  
(C)=

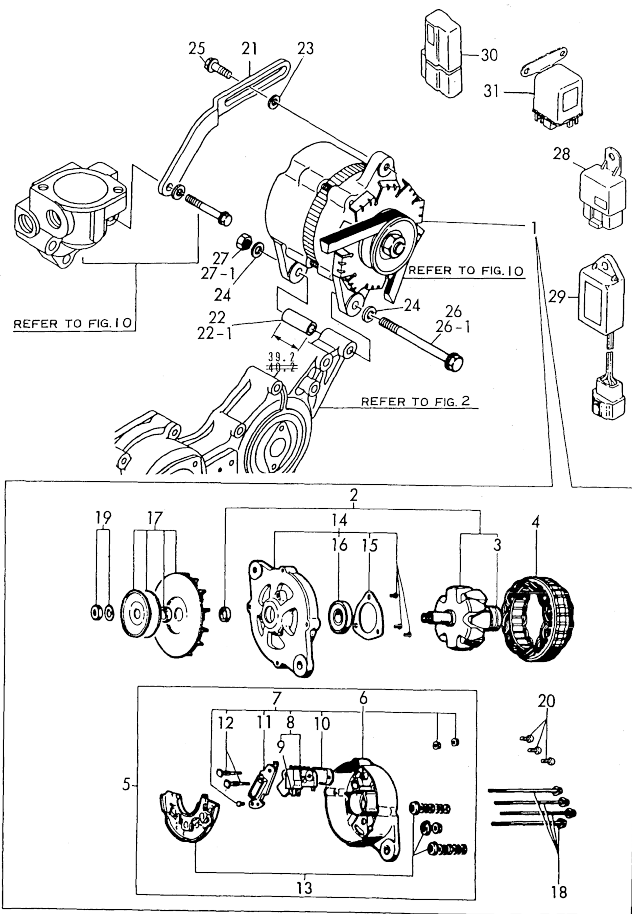
(D)=  
(E)=  
(F)=

No.	Lev.	Parts No.	Description	Q'ty						I	R
				(A)	(B)	(C)	(D)	(E)	(F)		
1	1	129470-77200	GENERATOR	1							
2	2	XL1805100	ROTOR ASY	1							
3	2	XL1801200	STATOR ASY	1							
4	2	XL1809300	COVER ASSY, REAR	1							
5	3	XL1805301	COVER, REAR	1							
6	3	XL1556315	REGULATOR ASSY,BRUSH	1							
7	4	XL2255320	DIODE L225-5320	1							
8	4	XL1801335	BRUSH	2							
9	4	XTR1Z63	REGULATOR	1							
10	3	XL1808320	DIODE ASY	1							
11	3	XL2251318	CONDENSER ASSY	1							
12	2	XL23534011	COVER ASSY, FRONT	1							
13	3	XL150M14041	RETAINER	1							
14	3	X6303BM	BALL BEARING 6303B	1							
15	2	XL1805500	PULLEY ASSY	1							
16	2	XL18018015	THROUGH BOLT	4							
17	2	XL1501810	NUT ASSY, PULLEY	1							
18	2	X6201NC	BALL BEARING	1							
19	2	XL15028001	SCREW ASSY	1							
20	2	124080-77520	BOLT M5	2							
21	1	129470-77330	ADJUSTER, BELT	1							
22	1	129470-77340	PIECE, DISTANCE	1							
23	1	22137-080000	WASHER, 8	1							
24	1	22137-100000	WASHER, 10	2							
25	1	26106-080252	BOLT, M8X 25 PLATED	1							
26	1	26116-101202	BOLT, M10X120 PLATED	1							
27	1	26716-100002	NUT, M10	1							
28	1	119247-77100	RELAY, SAFETY	1							
29	1	119632-77920	TIMER	1							



Fig.18. GENERATOR(NEW TYPE)

Fig. 18 GENERATOR (NEW TYPE)

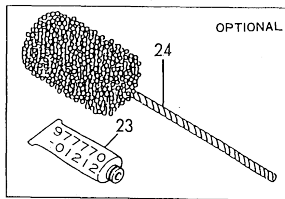
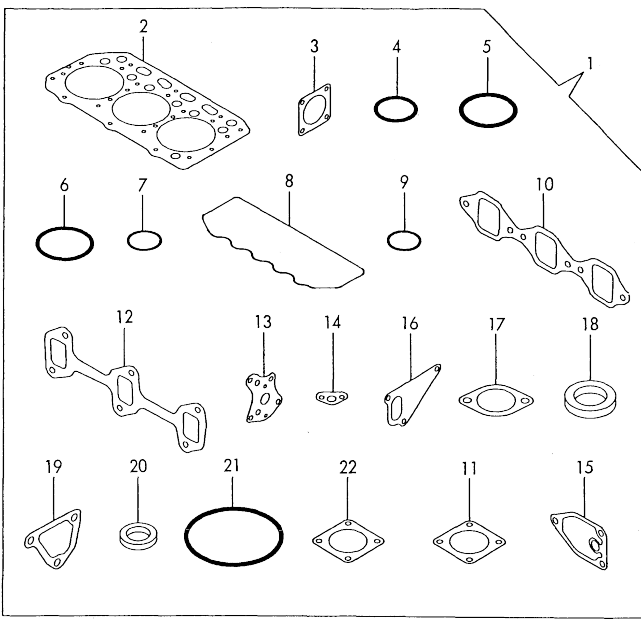


No.	Lev.	Parts No.	Description	Q'ty						I	R
				(A)	(B)	(C)	(D)	(E)	(F)		
1	1	129772-77200	GENERATOR(12V-55A)	1							
2	2	XL15571001	ROTOR ASSY	1							
3	3	X6201SD	BALL BEARING	1							
4	2	XL15542001	STATOR ASSY	1							
5	2	XL15553002	COVER ASSY, REAR	1							
6	3	XL22553012	COVER, REAR	1							
7	3	XL1556315	REGULATOR ASSY,BRUSH	1							
8	4	XL2255330	BRUSH ASSY	1							1
9	4	XL12013262	BRUSH	2							
10	4	XTR1Z63	REGULATOR	1							
11	4	XL2251318	CONDENSER ASSY	1							
12	4	XL13513134	BOLT M5	2							
13	3	XL2253320	DIODE ASSY	1							
14	2	XL2253400	FRONT COVER ASSY	1							
15	3	XL15014042	BEARING RETAINER	1							
16	3	X6203BM	BALL BEARING	1							
17	2	XL2255001	PULLEY ASSY	1							
18	2	XL15018015	BOLT, THROUGH	4							
19	2	XL1501810	NUT ASSY, PULLEY	1							
20	2	XL15028001	SCREW ASSY	1							
21	1	129470-77330	ADJUSTER, BELT	1							
22	1	129470-77340	PIECE, DISTANCE	1							
22-1	1	129150-77340	SPACER	1							S
(A=E00539)											
23	1	22137-080000	WASHER, 8	1							Z
(A=E00539)											
24	1	22137-100000	WASHER, 10	2							Z
(A=E00539)											
25	1	26106-080252	BOLT, M8X 25 PLATED	1							
25-1	1	26014-080252	BOLT, M8X 25	1							N
(A=E00539)											
26	1	26116-101202	BOLT, M10X120 PLATED	1							
26-1	1	26106-081202	BOLT, M8X120 PLATED	1							S
(A=E00539)											
27	1	26716-100002	NUT, M10	1							
27-1	1	26366-080002	NUT, M8	1							S
(A=E00539)											
28	1	119247-77100	RELAY, SAFETY	1							Z
(A=E00539)											
29	1	119632-77920	TIMER	1							
30	1	119643-66900	DIODE	1							W
(A=E00863)											
31	1	119650-77910	RELAY ASSY, GLOW	1							W
(A=E00863)											

N:Old  $\frac{100}{100}$  New, Q:Old  $\frac{100}{100}$  New, R:Old  $\frac{100}{100}$  New, S:Old  $\frac{100}{100}$  New, W:Add, Z:Discontinued, F:Interchangeable by set, K:Q'ty Change  
 Copyright (C) YANMAR CO., LTD. All Rights Reserved.

Fig.19. GASKET SET & TOOL(OPTIONAL)

Fig. **19** GASKET SET & TOOL (OPTIONAL)



Remarks  
 (1) OPTIONAL PART.  
 (M) MISPRINT.

No.	Lev.	Parts No.	Description	Q'ty						I	R	
				(A)	(B)	(C)	(D)	(E)	(F)			
1	1	729131-92602	GASKET SET	1								
1-1	1	729030-92601	GASKET SET	1								M
2	2	129001-01340	GASKET, HEAD	1								1
3	2	124240-01883	GASKET	1								
4	2	121850-51960	O-RING	1								
5	2	24311-000320	O-RING, 1AP32.0	1								
6	2	24341-000500	O-RING, 1AS50.0	1								
7	2	24311-000320	O-RING, 1AP32.0	1								
8	2	129150-11310	GASKET, BONNET	1								
9	2	24311-000120	O-RING, 1AP12.0	3								
10	2	129150-12111	GASKET, MANIFOLD	1								
11	2	124701-11911	GASKET, SILENCER	1								
12	2	129150-13110	GASKET	1								
13	2	129150-32020	GASKET, PUMP	1								
14	2	129150-35041	GASKET	1								
15	2	129150-35111	GASKET	1								
16	2	129100-42020	GASKET, WATER PUMP	1								
17	2	129795-49551	GASKET	1								
18	2	129150-49811	GASKET, THERMOSTAT	1								
19	2	129100-49840	GASKET	1								
20	2	124465-44950	GASKET, 16	2								
21	2	24321-000650	O-RING, 1AG65.0	1								
22	2	129150-77511	GASKET	1								
23	1	977770-01212	GASKET, LIQUID	1								1
24	1	129400-92420	FLEX HORN	1								1

## Parts No. Index

Parts No.	Fig. No.	Ref. No.	Parts No.	Fig. No.	Ref. No.	Parts No.	Fig. No.	Ref. No.	Parts No.	Fig. No.	Ref. No.
101304-59020	13	35	121250-59550	13	21	124465-44950	10	15	129100-49820	10	21
101720-55750	14	32	121254-55510	14	25		19	20	129100-49830	10	22
102103-55520	14	26	121256-44600	10	41	124550-51350	11	47	129100-49840	10	27
103338-11190	4	19	121257-55720	14	30	124550-51370	11	48		19	19
103854-39140	13	34	121257-55731	14	31	124550-59820	9	19	129100-52100	11	3
103954-13200	6	8	121400-11340	4	20	124550-66370	12	41	129100-55621	14	1
103954-13201	6	8 -1	121400-12540	5	21	124701-11911	6	6	129100-55650	14	4
104200-55321	14	2	121400-12560	5	22		19	11	129100-55670	14	6
		22	121400-12570	5	23	124722-42290	10	6 -1	129100-55680	14	7
104200-55330	14	3	121420-12511	5	5	124732-42290	10	6	129100-55690	14	8
		23	121420-12540	5	8	124736-07900	4	4	129100-55700	14	9
104200-55341	14	24	121420-12550	5	9	124766-59050	13	19	129100-55910	13	16
104200-55750	14	10	121420-12561	5	10			36	129100-59920	13	17
		33	121422-12530	5	7			37	129100-59930	13	18
104200-59170	13	38	121422-12570	5	11		14	18	129100-59951	13	26
105025-59750	13	25	121422-12580	5	12	124770-11770	10	19	129100-61400	12	14
110250-55610	14	27	121450-01560	2	5	124950-51190	11	32	129100-61440	12	18
114250-53080	13	5	121450-42450	10	12	126650-12680	5	13	129100-61650	12	35
114250-53120	13	7	121520-34810	9	5	129001-01340	1	22	129100-77500	5	14
114250-53130	13	8	121521-12500	5	4		19	2	129100-77510	5	15
114250-53140	13	9	121550-23200	8	26	129001-02800	1	13	129111-13670	6	12
114250-53210	13	10	121550-49111	10	11	129001-21000	8	1	129111-13680	6	13
114250-53400	13	11	121850-11860	10	1	129001-22080	8	15	129116-61890	12	39
119247-77100	17	28	121850-21680	8	10	129001-22081	8	15 -1	129120-77501	5	14 -1
	18	28	121850-51960	2	11	129001-22500	8	17	129122-12100	5	1
119620-01750	3	3		19	4	129001-22900	8	29	129128-21590	8	12
119620-66820	15	2	121850-55710	14	29	129001-22950	8	31	129129-14580	7	3
119625-11870	4	37	121850-55800	14	21	129001-32001	9	1 -1	129129-61801	12	36
119625-11880	4	38	121855-12060	5	20	129001-35300	9	12 -1	129129-66860	12	68
119625-11900	4	39	122117-51560	11	63	129100-01580	3	1		15	3 -1
119629-66800	15	1	122710-51090	11	25			19	129129-77010	16	1
119632-77920	17	29	123682-44210	10	35		8	2	129129-77210	16	6
	18	29	124066-59100	13	20	129100-01640	3	16 -1	129129-77220	16	7
119640-01640	3	8 -1		14	14	129100-01730	3	6	129129-77230	16	8
119643-66900	18	30	124080-77520	17	20	129100-01770	3	7	129129-77240	16	9
119650-77910	18	31	124160-01751	2	6	129100-01790	3	10	129129-77250	16	10
119810-51040	11	22		4	54	129100-11100	4	15	129129-77260	16	21
119820-66870	15	4 -1	124160-01910	1	4	129100-11110	4	16	129129-77270	16	22
119840-59560	13	22	124160-11360	4	52	129100-11240	4	25 -1	129129-77280	16	23
119840-59570	13	23	124160-39140	9	16	129100-11350	4	42	129129-77290	16	24
119840-59601	14	17	124160-39450	9	17	129100-11650	4	32 -1	129129-77300	16	25
119843-61500	12	23	124240-01871	2	7	129100-13110	6	1	129129-77310	16	27
119843-61540	12	28	124240-01883	2	8	129100-23910	8	37	129129-77320	16	28
119856-03090	4	1		19	3	129100-25061	7	8	129129-77330	16	29
119865-21600	8	14	124450-44510	10	36	129100-35301	9	7	129129-77340	16	30
119865-35300	9	12	124450-44530	10	38	129100-42002	10	2	129129-77350	16	31
120130-11860	4	10	124450-44550	10	44	129100-42020	10	4	129129-77360	16	32
121023-01550	2	24	124450-44560	10	39		19	16	129129-77361	16	32 -2
121111-21501	8	11	124460-11340	4	21	129100-49050	10	32	129129-77370	16	33
121250-44901	10	13	124465-44950	10	14	129100-49800	10	18	129129-77380	16	34

## Parts No. Index

Parts No.	Fig. No.	Ref. No.	Parts No.	Fig. No.	Ref. No.	Parts No.	Fig. No.	Ref. No.	Parts No.	Fig. No.	Ref. No.
129129-77390	16	14	129150-35041	9	6	129155-51710	11	87	129354-44740	10	8
129129-77400	16	17		19	14	129155-51750	11	88	129400-01520	2	4
129129-77410	16	18	129150-35101	9	9	129155-51760	11	89	129400-92420	19	24
129129-77420	16	19	129150-35111	9	10	129155-51790	11	90	129403-42380	10	7
129129-77430	16	20		19	15	129155-51930	11	92	129429-66860	15	3
129129-77440	16	15	129150-35151	9	11	129155-51940	11	93	129429-66870	15	4
129129-77450	16	16	129150-35350	9	13	129155-52050	11	2	129470-77200	17	1
129130-13500	6	7	129150-39450	9	18	129155-61012	12	2	129470-77330	17	21
129130-13550	6	9	129150-49080	10	46	129155-61050	12	3		18	21
129130-13650	6	10	129150-49100	10	45	129155-61060	12	4	129470-77340	17	22
129130-13660	6	11	129150-49811	10	26	129155-61070	12	5		18	22
129131-13520	6	7 -1		19	18	129155-61120	12	6	129489-61700	12	67
129132-49050	10	32 -1	129150-59120	13	12	129155-61130	12	7	129500-53000	13	2
129132-61550	12	59	129150-59130	13	15	129155-61140	12	8	129503-53000	13	2 -1
129150-01200	1	21	129150-59131	13	15 -1	129155-61201	12	9	129505-51300	11	42
129150-01650	3	16	129150-59511	13	39	129155-61341	12	13	129506-51100	11	26
		17	129150-59580	13	24	129155-61350	12	13 A	129772-77200	18	1
129150-02020	1	10		14	15	129155-61360	12	13 B	129795-01780	3	18
129150-02450	7	4	129150-77340	18	22 -1	129155-61430	12	17	129795-01800	2	3
129150-02870	1	23	129150-77511	5	16	129155-61450	12	19	129795-01950	2	9
129150-02930	1	16		19	22	129155-61460	12	20	129795-02411	1	19
129150-02940	1	26	129155-11241	4	25	129155-61470	12	58	129795-11120	4	17
129150-03020	4	44	129155-11260	4	26	129155-61480	12	21	129795-11180	4	18
129150-03070	4	45	129155-11270	4	27	129155-61490	12	22	129795-21661	8	9
129150-03080	4	46	129155-49800	10	25	129155-61540	12	29	129795-49551	10	17
129150-03100	2	10	129155-51020	11	21	129155-61590	12	63		19	17
129150-11230	4	33	129155-51050	11	23	129155-61810	12	37	171051-01921	1	5
129150-11280	4	28	129155-51060	11	24	129155-61830	12	38	171061-12520	5	6
129150-11290	4	29	129155-51140	11	29	129155-61950	12	40	171301-01600	3	2
129150-11310	4	48	129155-51180	11	31	129156-51910	11	91	171301-01640	3	8
	19	8	129155-51200	11	33	129158-52020	11	5	171301-49010	10	42
129150-11370	4	22	129155-51270	11	40	129158-52060	11	7	171301-49020	10	43
129150-11750	4	35	129155-51280	11	41	129158-52070	11	8	171340-21650	8	8
129150-11810	4	12		12	1	129158-52080	11	9	171340-77520	5	17
129150-12111	5	2	129155-51320	11	45	129158-52090	11	10	171351-12210	5	27
	19	10	129155-51340	11	46	129158-52160	11	11	171351-12560	5	25
129150-13110	6	2	129155-51370	11	49	129158-52250	11	12	171351-12570	5	26
	19	12	129155-51380	11	50	129158-52260	11	13	171351-12580	5	24
129150-14101	7	6	129155-51390	11	51	129158-52270	11	14	171353-61550	12	59 -1
129150-14200	7	1	129155-51400	11	52	129158-52350	11	15	171353-61710	12	67 -1
129150-14400	7	2	129155-51410	11	53	129158-52360	11	16	171420-34820	9	4
129150-21200	8	4	129155-51420	11	54	129158-52370	11	17	171440-44500	10	34
129150-23600	8	27	129155-51450	11	55	129158-52380	11	18	174307-51170	11	30
129150-23610	8	35	129155-51500	11	60	129202-22300	8	21	174307-51560	11	64
129150-25061	7	11	129155-51521	11	61	129255-59580	13	25 -1	194990-22050	6	3
129150-25101	7	9	129155-51550	11	62			40	22117-040000	12	42
129150-25900	11	105	129155-51570	11	65	129255-61410	12	52 -1	22117-060000	15	5
129150-32000	9	1	129155-51580	11	66	129255-61420	12	72	22117-080000	12	69
129150-32020	9	2	129155-51600	11	67	129350-44760	10	9		15	6
	19	13	129155-51700	11	86	129350-49530	10	16	22137-080000	17	23

## Parts No. Index

Parts No.	Fig. No.	Ref. No.
22137-080000	18	23
22137-100000	17	24
	18	24
22190-060002	12	55
22190-080002	2	22 -1
		23 -1
22190-100002	12	56
22190-120002	12	57
22190-160002	11	102
22190-220002	3	11 -1
22217-060000	11	94
22217-120000	11	106
22252-000260	8	22
22272-000040	12	33
22272-000060	12	43
22287-120000	12	44
22351-040010	8	7
22351-050010	11	95
22351-060012	4	23
22360-060000	15	7
22360-080000	15	8
22372-040000	12	45
22372-080000	12	70
22512-070140	7	7
	8	5
23000-016000	10	33
23000-060000	5	28
23010-038000	10	50
23061-070230	10	40
23414-080000	9	20
23414-100000	9	21
23414-120000	13	33
23418-060000	14	34
23871-010000	1	6
23871-030000	10	3
		23
23887-100002	12	46
24101-063034	11	96
24311-000120	4	53
	19	9
24311-000160	2	12
	9	14
	14	11
24311-000320	2	13
	4	55
	19	5
		7
24311-240100	12	47
	14	12
		35

Parts No.	Fig. No.	Ref. No.
24321-000650	14	13
	19	21
24341-000160	11	97
24341-000240	2	25
	3	11
24341-000500	4	50
	19	6
26014-060252	10	10
26014-080252	18	25 -1
26014-080702	14	16
26022-050102	11	98
	12	48
26022-060162	11	99
26023-050102	12	49
26106-060102	15	9
26106-060122	2	26
26106-060202	12	50
26106-060252	12	51
26106-080122	2	14
26106-080142	4	5
	15	10
26106-080162	1	20
	2	15
		16
	3	12
	4	51
	7	13
	15	10 -1
26106-080202	2	17
	9	15
26106-080252	10	28
	3	13
	4	40
	5	3
	10	29
	17	25
	18	25
26106-080302	3	20
26106-080352	3	21
	5	18 -1
	9	8
26106-080402	5	18
26106-080452	2	18
	3	14
		14 -1
		14 -2
	7	12
26106-080502	3	15
		22
		41

Parts No.	Fig. No.	Ref. No.
26106-080502	10	30
26106-080552	2	19
26106-080602	10	5
		31
26106-080802	5	19
	6	4
26106-080852	2	20
26106-081202	18	26 -1
26116-050302	11	100
26116-060162	10	24
26116-101202	17	26
	18	26
26116-120252	16	35
26206-100252	3	4
26206-100302	3	5
26216-060202	4	13
26216-080802	6	5
26226-080182	4	36
26366-060002	4	24
	5	29
26366-080002	2	21
	12	52
	18	27 -1
26450-060252	9	3
26687-120002	12	71
26716-060002	11	101
26716-100002	17	27
	18	27
26716-120002	11	107
26756-060002	12	53
26776-120002	12	54
27231-500000	1	7
27241-120000	1	8
27241-300000	1	9
27241-400000	4	14
27310-080001	4	19 -1
43400-500410	2	22
		23
719810-01500	2	1
729001-01560	1	1
729001-11700	4	6
729030-92601	19	1 -1
729130-51350	11	1
729131-92602	19	1
729402-11650	4	32
729402-23100	8	23
729500-53100	13	1
729503-53100	13	1 -1
977770-01212	19	23
X0280210230	16	11

Parts No.	Fig. No.	Ref. No.
X0280620480	16	32 -1
X0283060061	16	2
X0283270140	16	12
X0289030010	16	3
X6201NC	17	18
X6201SD	18	3
X6203BM	18	16
X6303BM	17	14
X9490561370	16	4
X9491200240	16	5
X9491703371	16	13
X9491730461	16	26
XL12013262	18	9
XL13513134	18	12
XL15014042	18	15
XL15018015	18	18
XL1501810	17	17
	18	19
XL15028001	17	19
	18	20
XL150M14041	17	13
XL15542001	18	4
XL15553002	18	5
XL1556315	17	6
	18	7
XL15571001	18	2
XL1801200	17	3
XL1801335	17	8
XL18018015	17	16
XL1805100	17	2
XL1805301	17	5
XL1805500	17	15
XL1808320	17	10
XL1809300	17	4
XL2251318	17	11
	18	11
XL2253320	18	13
XL2253400	18	14
XL22553012	18	6
XL2255320	17	7
XL2255330	18	8
XL22555001	18	17
XL23534011	17	12
XTR1Z63	17	9
	18	10