

0CV10-M60101EN

P R E F A C E

1. This Parts Catalog carries all parts incorporated in YANMAR Model 3TNE88 - LAN engine manufactured since September, 1998 & 3TNE88 - ELAN engine manufactured since September, 2000.

2. Parts catalog history

	Parts catalog No.	Published	Remarks
1st edition	000Y00V6010	1998/11	Disuse old edition
1st revised	000Y00V6011	2000/10	

3. Model name

Column	Model name	Manufactured	E/#
(A)	3TNE88 - LAN	1998/ 9 ~	19276 ~
(B)	3TNE88 - ELAN	2000/ 9 ~	34702 ~

4. Each illustration corresponds to the parts list on the following page.

5. When ordering parts, clearly write down the engine model and serial number, as well as the name and number of each part in your order sheet. This will help insure reliable delivery of the parts you have ordered.

Directions for the Parts Catalog.

1. This Parts Catalog shows both standard and optional parts.
2. Parts may change without prior notice.
3. The following is an example of the Parts Catalog format.

REF.	LEV.	PARTS NO.	DESCRIPTION	Q'TY						I	R
				(A)	(B)	(C)	(D)	(E)	(F)		
1	1	729595-51390	FUEL INJECTION PUMP	1	1	1	1	1			1
1-1	1	729595-51391	FUEL INJECTION PUMP	1	1	1	1	1		N	1
		(A=E00185) (B=E00200)									
3	2	26022-060162	SCREW M 6X 16	9	9	9	9	9			
3-1	2	26022-060162	SCREW M 6X 16	4	4	4	4	4		K	
		(A=E00156) (B=E00156) (C=E00156) (D=E00156) (E=E00156)									
4	2	129470-51040	CAMSHAFT	1	1	1	1	1			
5	2	122710-51050	BEARING, ROLLER	2	2	2	2	2			
6	2	129470-51060	RETAINER	1	1	1	1	1			

Remarks
(1) BOOST COMPEMSATOR TYPE. OPTIONAL PART, TO E00155,(4JH-DT, 4JH-DTZ

① Ref. No.

The Ref. No. listed may not be in accordance with the illustration Ref. No.

(Ex.) Illustration No.

List Ref No.

1

1

(Before change)

1-1

(After change)

For interchangeable symbols N, R and K, illustrations for new parts may be abbreviated.

② Lev. (Level)

Level indication

The numbers below indicate the level of relativity towards the main part.

1 ----- Main parts (Assembly parts)

2 ----- Sub component included in " 1 ".

3 ----- Sub component included in " 2 ".

Note) Parts that are not for sale are partially illustrated but not listed.

③ Interchangeability Symbol

When a part change takes place, one of the following interchangeability symbols is indicated beside the part.

Symbol	Interchangeability	Contents note
N	Old $\begin{matrix} \leftarrow \text{Yes} \\ \text{No} \rightarrow \end{matrix}$ New	New Part is interchangeable for Old Part but Old Part is not interchangeable for New Part.
Q	Old $\begin{matrix} \leftarrow \text{No} \\ \text{Yes} \rightarrow \end{matrix}$ New	New Part is not interchangeable for Old Part but Old Part is interchangeable for New Part.
R	Old $\begin{matrix} \leftarrow \text{Yes} \\ \text{Yes} \rightarrow \end{matrix}$ New	New/ Old Parts are both interchangeable.
S	Old $\begin{matrix} \leftarrow \text{No} \\ \text{No} \rightarrow \end{matrix}$ New	New/ Old Parts are both not interchangeable.
W		Part newly added.
Z		Part discontinued.
F		Not interchangeable by a single part but interchangeable together with related parts.
K		Changes only for used parts quantities.

④ Effective Machine No.

When a part changes, the effective Machine No. will be indicated in the (A)-(F) column.

Product Symbol	Product No.	Product Symbol	Product No.
C	Clutch No. Compressor No.	F	Machine No. (Agricultural Equip.)
D	Drive No.	M	Machine No.
E	Engine No.		

Note 1) A date may follow the symbol. (Ex.) 1996.01

Note 2) "XXXXX" and "ZZZZZ" are for parts that could not be predicted or for engine models that could not be identified.

Note 3) (A=E00185) is the E (Engine Serial Number) for the column (A) model (in this case 4JH-DT) after the parts design change.

⑤ Remarks

Figures or alphabets (symbols) are entered in the remarks column.

The comments (remarks) on parts that are indicated at the bottom of the illustration are the same symbols as those stated above.

Contents

Fig. No. Fig. Name

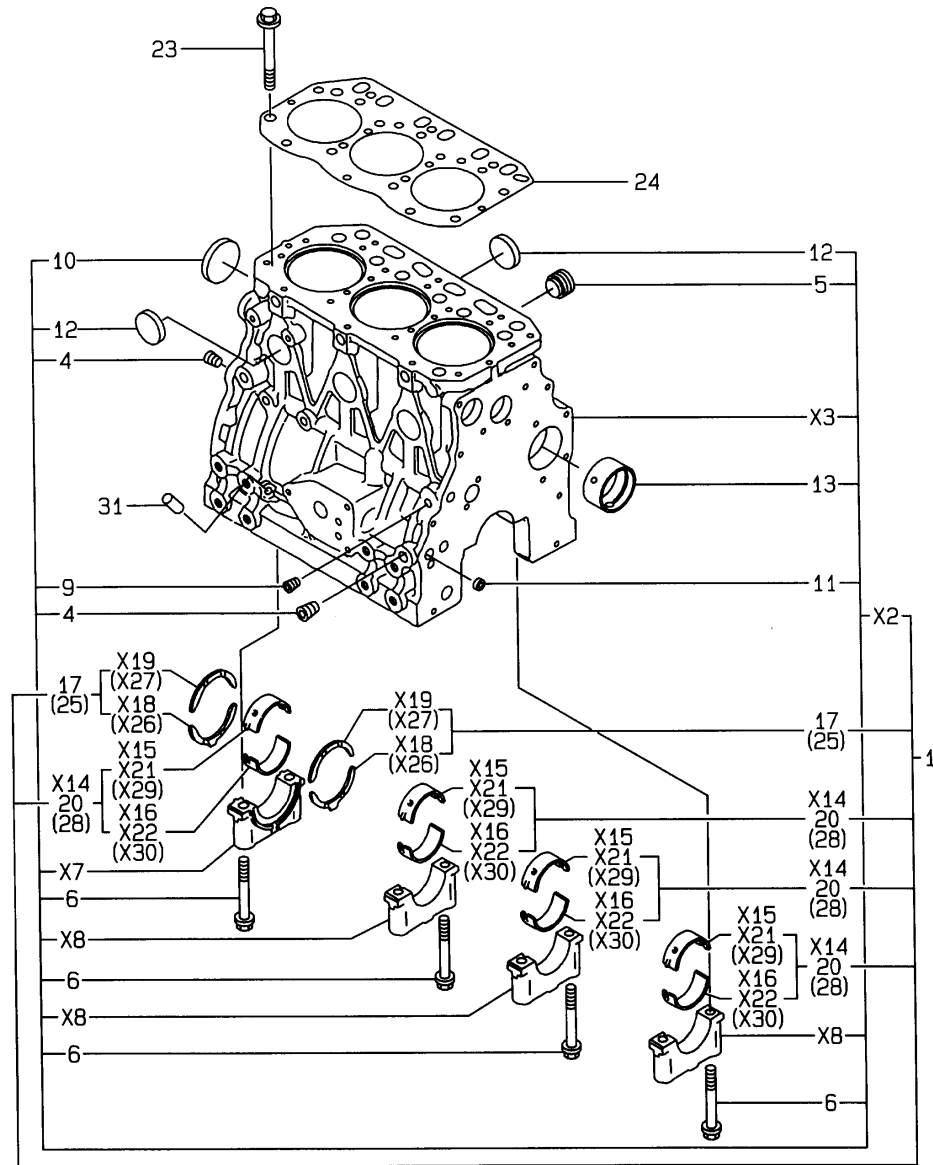
ENGINE 3TNE88-(E)LAN

1. CYLINDER BLOCK
2. GEAR HOUSING
3. MOUNTING FLANGE & OIL SUMP
4. CYLINDER HEAD & BONNET
5. SUCTION MANIFOLD
6. EXHAUST MANIFOLD
7. CAMSHAFT & DRIVING GEAR
8. CRANKSHAFT & PISTON
9. LUB.OIL SYSTEM
10. COOLING WATER SYSTEM
11. FUEL INJECTION PUMP
12. GOVERNOR
13. FUEL INJECTION VALVE
14. FUEL LINE
15. STARTING MOTOR
16. GENERATOR
17. GASKET SET

Fig. No. Fig. Name

Fig.1. CYLINDER BLOCK

1. CYLINDER BLOCK



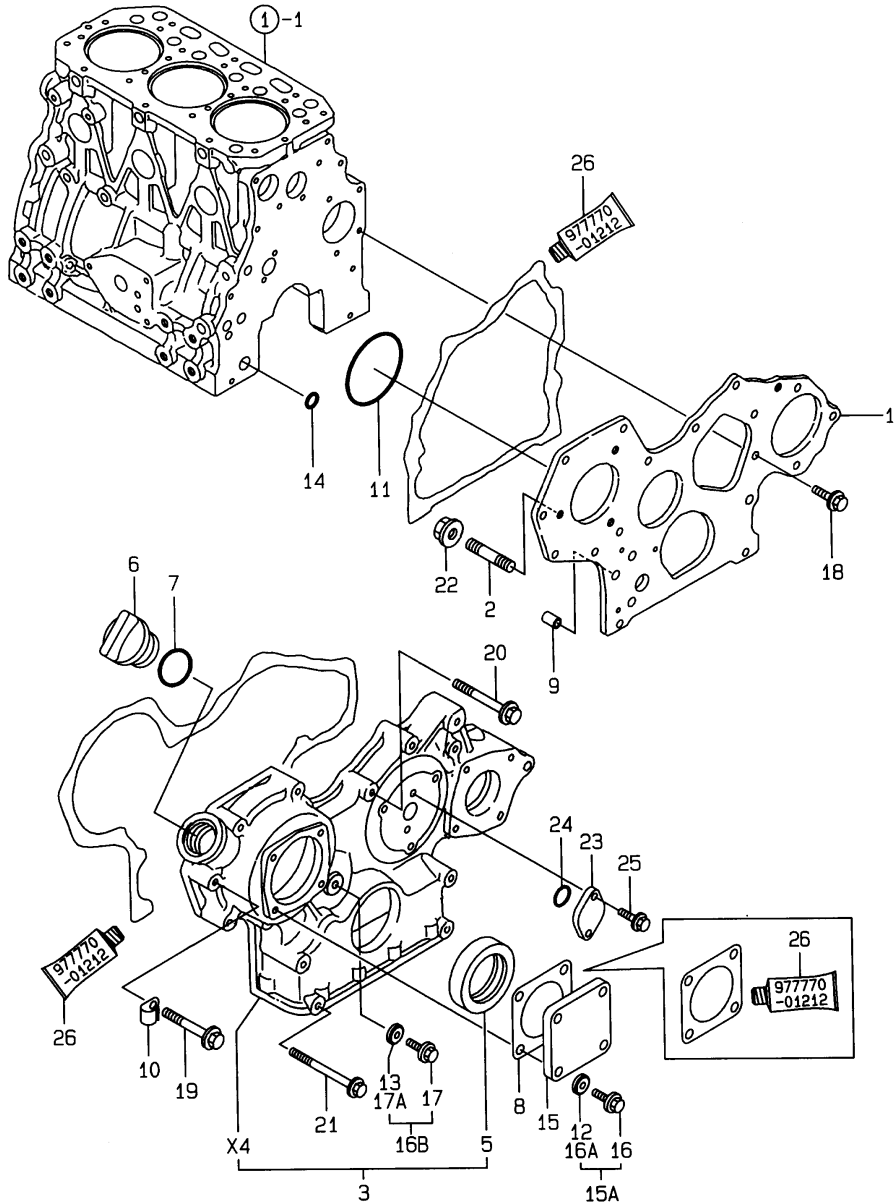
No.	Lev.	Parts No.	Description	Q'ty						I	R
				(A)	(B)	(C)	(D)	(E)	(F)		
1	1	729001-01560	BLOCK ASSY, CYLINDER	1	1						
4	3	124160-01910	PLUG, PT1/4	3	3						
5	3	171051-01921	PLUG, NPTF1	1	1						
6	3	129150-02020	BOLT, METAL CAP	8	8						
9	3	23871-010000	PLUG, R01	1							
9-1	3	23876-010000	PLUG, R01	1	1						N
(A=E22402)											
10	3	27231-500000	PLUG 50	1							
10-1	3	129001-01250	PLUG, 50	1	1						N
(A=E25369)											
11	3	27241-120000	PLUG, 12	2	2						
12	3	27241-300000	PLUG 30	6	6						
13	3	129795-02411	BUSH, CAMSHAFT	1	1						
17	2	129150-02930	BEARING, THRUST	2	2						
20	2	129001-02930	BEARING, MAIN	4	4						3
23	1	129150-01200	BOLT, HEAD	14	14						
24	1	129001-01340	GASKET, HEAD	1	1						
25	1	129150-02940	BEARING, THRUST 0.25	1	1						1
28	1	129150-02870	BEARING, 0.25 US	4	4						2
31	1	27225-100140	PLUG, 10X14	1	1						

Remarks

- (1) OVER-SIZE(O.S=0.25)PART.
- (2) UNDER-SIZE(U.S=0.25)PART.
- (3) REPAIR PART.

Fig.2. GEAR HOUSING

2.GEAR HOUSING



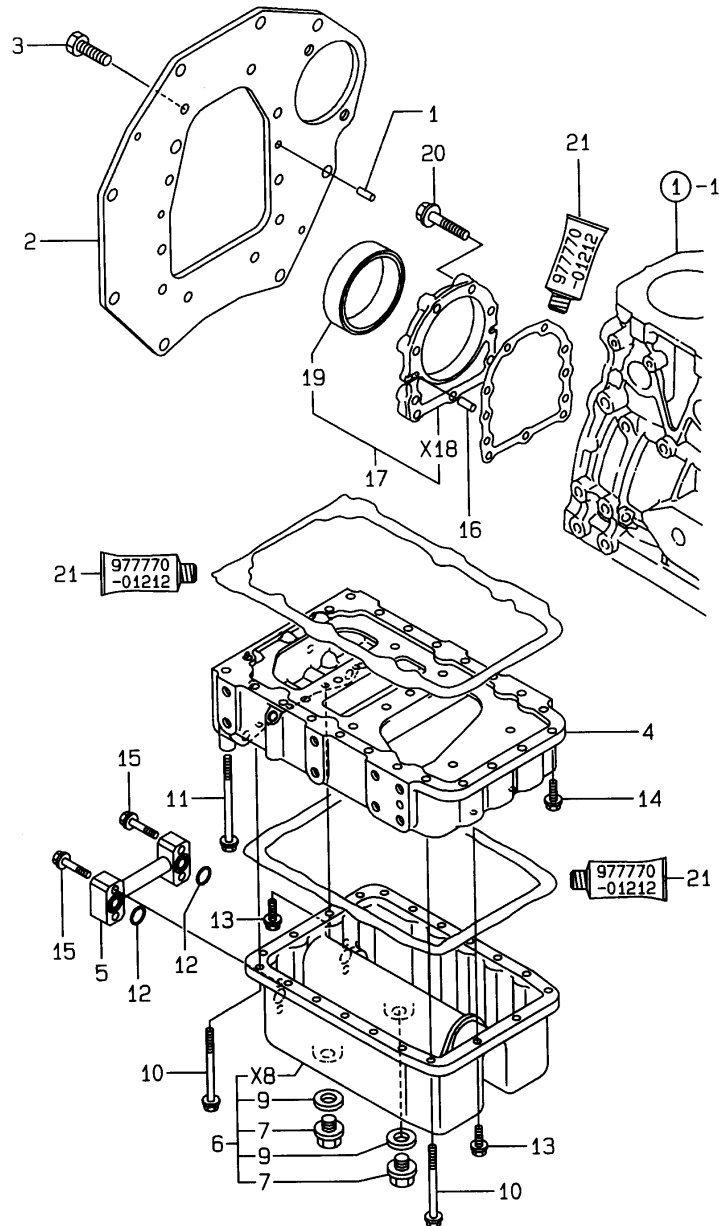
X-MARK PARTS: NOT SOLD SEPARATELY.

No.	Lev.	Parts No.	Description	Q'ty						I	R
				(A)	(B)	(C)	(D)	(E)	(F)		
1	1	171353-01520	FLANGE, GEAR CASE	1	1						
2	1	121450-01560	STUD, M8X22	3	3						
3	1	171353-01580	CASE ASSY, GEAR	1	1						
5	2	129795-01800	SEAL, OIL	1	1						
6	1	124160-01751	COVER, FILLER	1	1						
7	1	24311-000320	O-RING, 1AP32.0	1	1						
8	1	124240-01883	GASKET	1							Z
		(A=EXXX)									
9	1	129795-01950	PIPE, KNOCK L=18	2	2						
10	1	129150-03100	RETAINER, PIPE	1	1						
11	1	121850-51960	O-RING	1	1						
12	1	22190-080002	WASHER, SEAL 6	4							Z
		(A=E19476)									
13	1	22190-080002	WASHER, SEAL 6	1							Z
		(A=E19476)									
14	1	24311-000160	O-RING, 1AP16.0	2	2						
15	1	124240-01871	COVER	1	1						
15A	1	124550-01590	BOLT, M8X16	4	4						W
		(A=E19476)									
16	2	26106-080122	BOLT, M8X 12 PLATED	4							N
16-1	2	26106-080162	BOLT, M8X 16 PLATED	4	4						N
		(A=EXXX)									
16A	2	22190-080002	WASHER, SEAL 6	4							W
		(A=E19476)									
16A-1	2	22190-080003	WASHER, SEAL 8	4	4						N
		(A=E25369)									
16B	1	124550-01590	BOLT, M8X16	1	1						W
		(A=E19476)									
17	2	26106-080162	BOLT, M8X 16 PLATED	1	1						
17A	2	22190-080002	WASHER, SEAL 6	1							W
		(A=E19476)									
17A-1	2	22190-080003	WASHER, SEAL 8	1	1						N
		(A=E25369)									
18	1	26106-080162	BOLT, M8X 16 PLATED	3	3						
19	1	26106-080452	BOLT, M8X 45 PLATED	6	6						
20	1	26106-080552	BOLT, M8X 55 PLATED	3	3						
21	1	129001-91840	BOLT, M8X85	4							
21-1	1	129001-91841	BOLT, M8X85	4	4						R
		(A=E30459)									
22	1	26366-080002	NUT, M8	3	3						
23	1	121023-01550	COVER	1	1						
24	1	24341-000240	O-RING, 1AS24.0	1	1						
25	1	26106-060162	BOLT, M6X 16 PLATED	2	2						
26	1	97770-01212	GASKET, LIQUID	1	1						1

Remarks
(1) OPTIONAL PART.

Fig.3. MOUNTING FLANGE & OIL SUMP

3.MOUNTING FLANGE & OIL SUMP



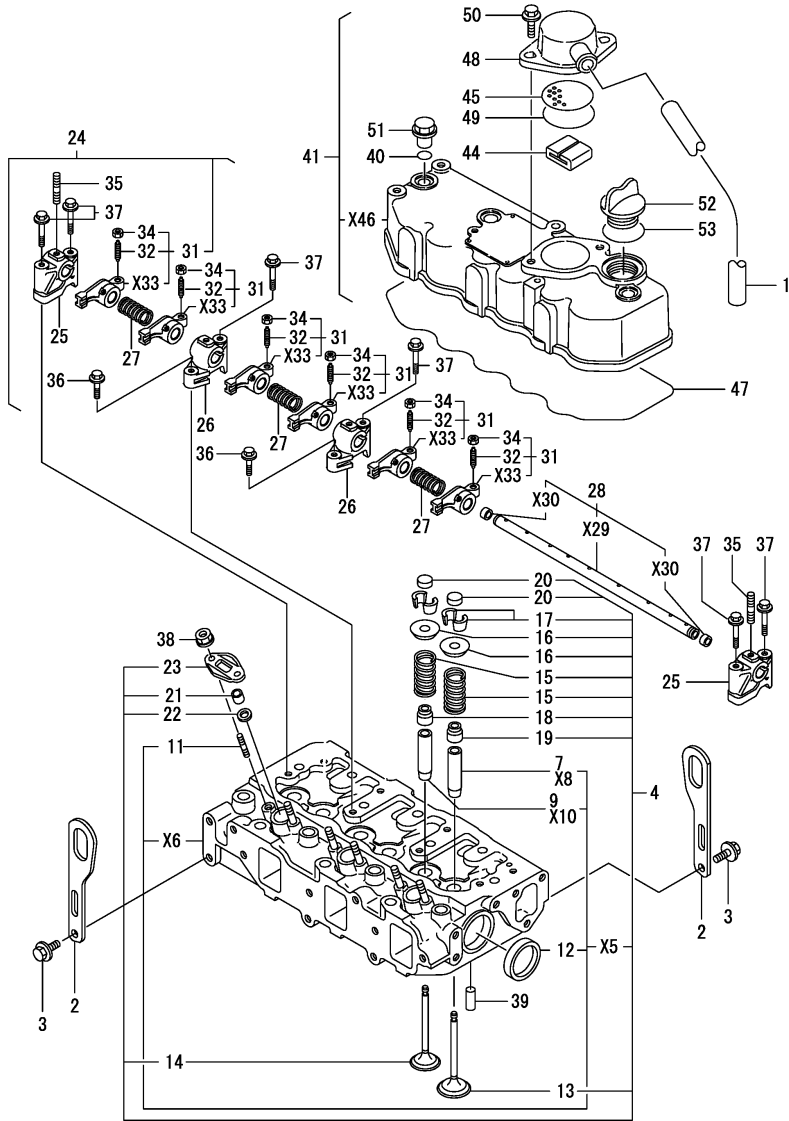
(A)=3TNE88-LAN
(B)=3TNE88-ELAN
(C)=

(D)=
(E)=
(F)=

No.	Lev.	Parts No.	Description	Q'ty						I	R
				(A)	(B)	(C)	(D)	(E)	(F)		
1	1	129100-01580	PIN, M8X16	2	2						
2	1	129051-01600	FLANGE, MOUNTING	1	1						
3	1	26206-100202	BOLT, M10X 20 PLATED	8	8						
4	1	129051-01700	SPACER, OIL SUMP	1	1						
5	1	129051-01721	JOINT	1	1						
6	1	129051-01780	SUMP ASSY, OIL	1	1						
7	2	105425-01690	PLUG, 16	2	2						
9	2	22190-160002	WASHER, SEAL 16	2	2						
10	1	129001-91870	BOLT, M8X100	14	14						
11	1	129001-91910	BOLT, M8X120	4	4						
12	1	24311-000180	O-RING, 1AP18.0	2	2						
13	1	26106-080252	BOLT, M8X 25 PLATED	6	6						
14	1	26106-080252	BOLT, M8X 25 PLATED	4	4						
15	1	26106-080402	BOLT, M8X 40 PLATED	4	4						
16	1	129100-01580	PIN, M8X16	2	2						
17	1	129100-01640	CASE ASSY, OIL SEAL	1	1						
19	2	129795-01780	SEAL, OIL	1	1						
20	1	129486-01670	BOLT, M8X30	9	9						
21	1	977770-01212	GASKET, LIQUID	1	1						1

Remarks
(1) OPTIONAL PART.

Fig.4. CYLINDER HEAD & BONNET



x-MARK PARTS:NOT SOLD SEPARATELY.

(A)=3TNE88-LAN
(B)=3TNE88-ELAN
(C)=

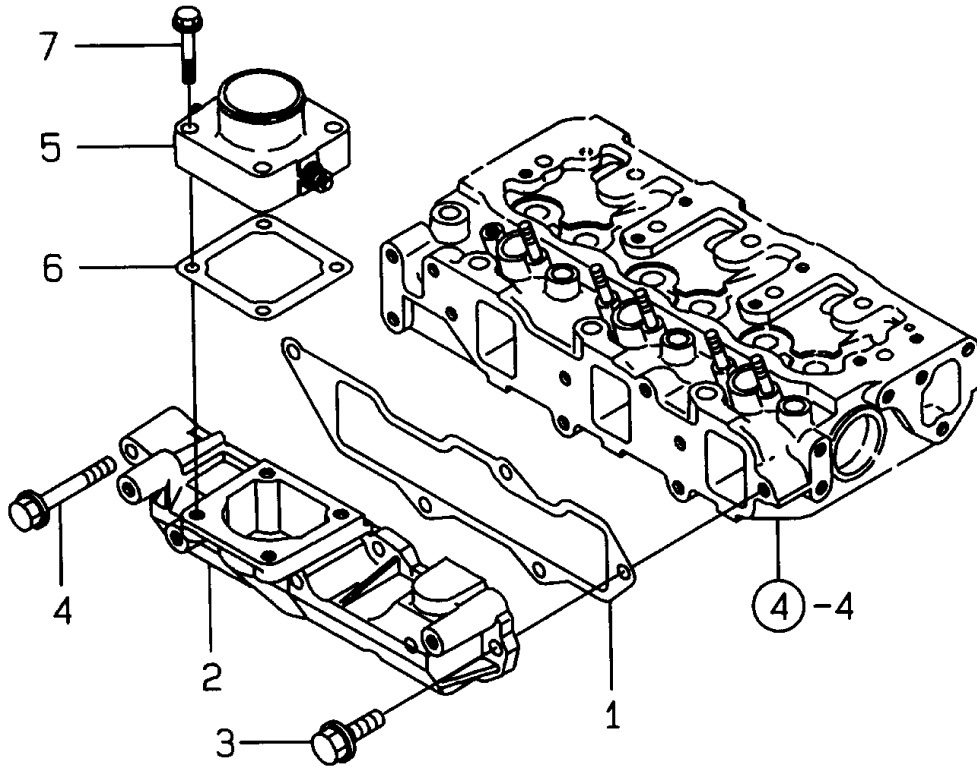
(D)=
(E)=
(F)=

No.	Lev.	Parts No.	Description	Q'ty						I	R
				(A)	(B)	(C)	(D)	(E)	(F)		
1	1	129150-03090	HOSE, ID16X2T	1	1						
2	1	124736-07900	LIFTER	2	2						
3	1	26106-080142	BOLT, M8X 14 PLATED	4	4						
4	1	129051-11700	HEAD ASSY, CYLINDER	1	1						
7	3	120130-11860	GUIDE, VALVE	3	3						1
9	3	129150-11810	GUIDE, VALVE	3	3						1
11	3	26216-060202	STUD, M6X 20	6	6						
12	3	27241-400000	PLUG, 40	2	2						
13	2	129100-11100	VALVE, INTAKE	3	3						
14	2	129100-11110	VALVE, EXHAUST	3	3						
15	2	129795-11120	SPRING, VALVE	6	6						
16	2	129795-11180	RETAINER, SPRING	6	6						
17	2	27310-080001	COTTER, 8	6	6						
18	2	121400-11340	SEAL, VALVE STEM	3	3						
19	2	124460-11340	SEAL, VALVE STEM	3	3						
20	2	129150-11370	CAP, VALVE	6	6						
21	2	119625-11870	PROTECTOR, NOZZLE	3	3						
22	2	119625-11880	SEAT, NOZZLE	3	3						
23	2	119625-11900	RETAINER, NOZZLE	3	3						
24	1	129155-11241	SHAFT ASSY, ROCKER	1	1						
25	2	129155-11260	SUPPORT, ROCKER ARM	2	2						
26	2	129155-11270	SUPPORT, ROCKER ARM	2	2						
27	2	129150-11280	SPRING	3	3						
28	2	129150-11290	SHAFT, ROCKER ARM	1	1						
31	2	729402-11650	ARM ASSY, ROCKER	6	6						
32	3	129150-11230	SCREW, VALVE ADJUST	6	6						
34	3	129150-11750	NUT, M8	6	6						
35	2	26226-080182	STUD, M8X 18	3	3						
36	1	26106-080252	BOLT, M8X 25 PLATED	2	2						
37	1	26106-080502	BOLT, M8X 50 PLATED	6	6						
38	1	26366-060002	NUT, M6	6	6						
39	1	22351-060012	PIN, SPRING 6.0X12	2	2						
40	1	24311-000120	O-RING, 1AP12.0	3	3						
41	1	129100-11350	BONNET ASSY, HEAD	1							
41-1	1	129100-11351	BONNET ASSY, HEAD	1							N
(A=E25945)											
41-2	1	729132-11521	BONNET ASSY, HEAD	1	1						R
(A=EXXX)											
44	2	129150-03070	BAFFLE, BREATHER	1	1						
45	2	129150-03080	PLATE, BAFFLE	1	1						
47	2	129150-11310	GASKET, BONNET	1	1						
48	2	129150-03020	COVER, BREATHER	1	1						
49	2	24341-000500	O-RING, 1AS50.0	1	1						
50	2	26106-080162	BOLT, M8X 16 PLATED	2	2						
51	1	124160-11360	KNOB	3	3						
52	1	124160-01751	COVER, FILLER	1	1						
53	1	24311-000320	O-RING, 1AP32.0	1	1						

Remarks
(1) REPAIR PART.

Fig.5. SUCTION MANIFOLD

5. SUCTION MANIFOLD



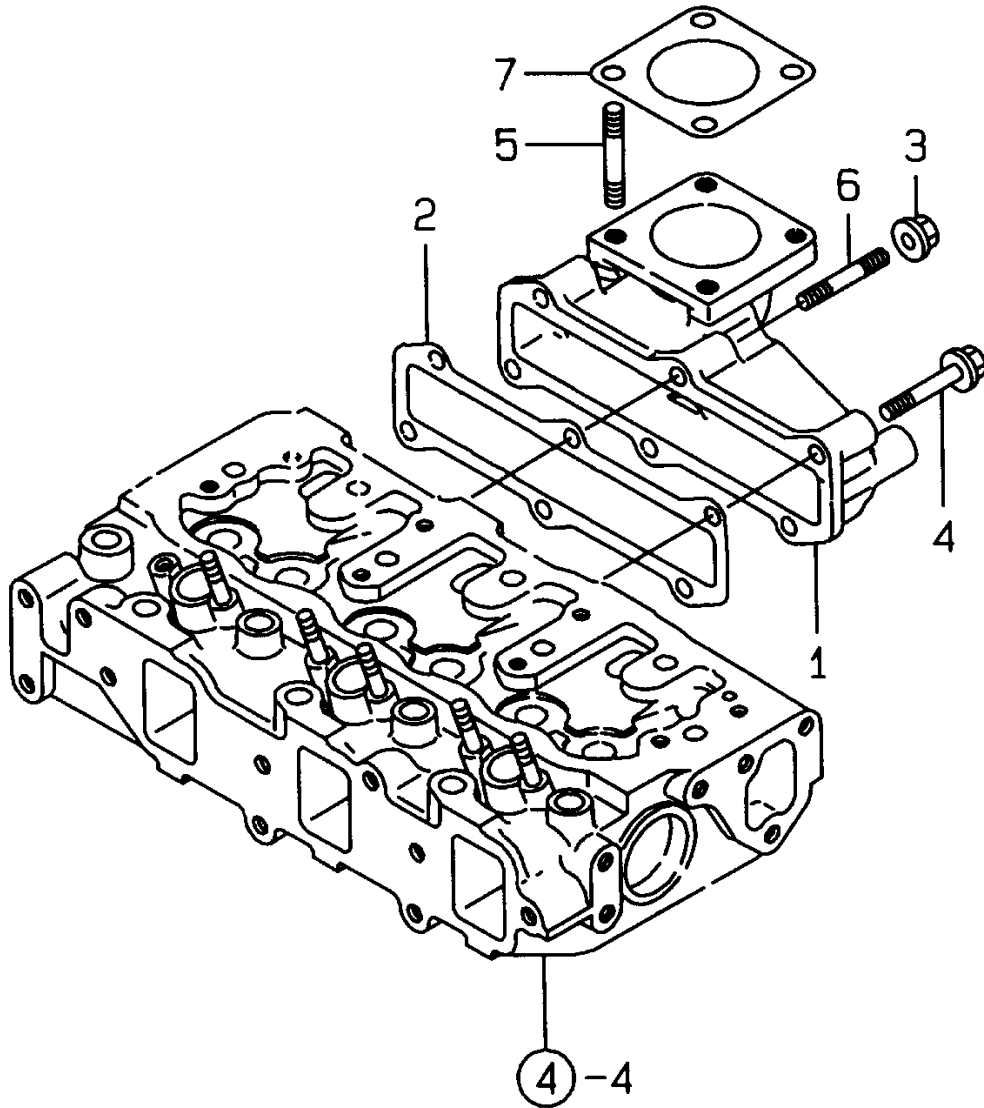
(A)=3TNE88-LAN
(B)=3TNE88-ELAN
(C)=

(D)=
(E)=
(F)=

No.	Lev.	Parts No.	Description	Q'ty						I	R
				(A)	(B)	(C)	(D)	(E)	(F)		
1	1	129001-12110	GASKET, MANIFOLD	1	1						
2	1	129001-12120	MANIFOLD, AIR INTAKE	1	1						
3	1	26106-080202	BOLT, M8X 20 PLATED	4	4						
4	1	26106-080502	BOLT, M8X 50 PLATED	1	1						
5	1	129120-77501	HEATER	1	1						
6	1	129150-77511	GASKET	1	1						
7	1	26106-080352	BOLT, M8X 35 PLATED	4	4						

Fig.6. EXHAUST MANIFOLD

6. EXHAUST MANIFOLD



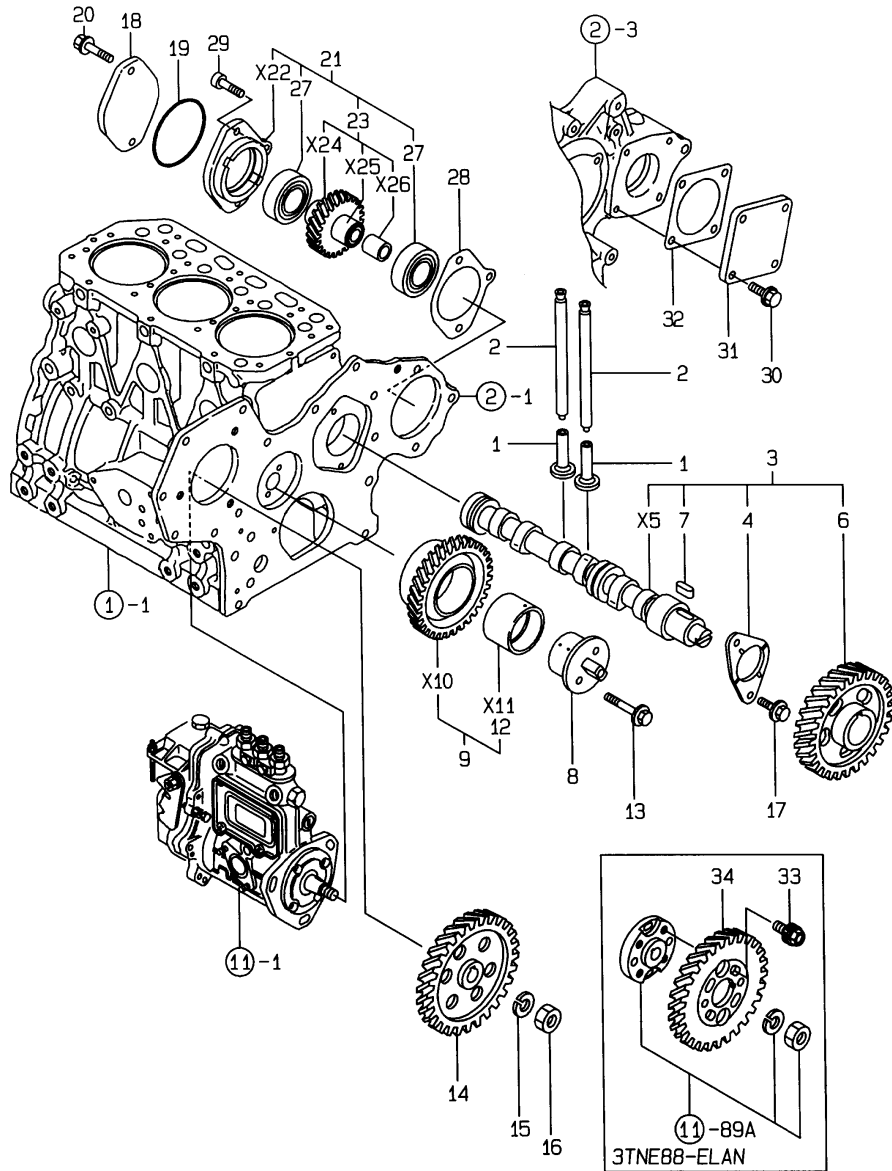
(A)=3TNE88-LAN
 (B)=3TNE88-ELAN
 (C)=

(D)=
 (E)=
 (F)=

No.	Lev.	Parts No.	Description	Q'ty						I	R
				(A)	(B)	(C)	(D)	(E)	(F)		
1	1	129001-13100	MANIFOLD, EXHAUST	1	1						
2	1	129001-13110	GASKET	1	1						
3	1	26366-080002	NUT, M8	2	2						
4	1	26106-080402	BOLT, M8X 40 PLATED	4	4						
5	1	119131-18320	STUD, M8X22	4	4						
6	1	26216-080402	STUD, M8X 40	2	2						
7	1	124701-11911	GASKET, SILENCER	1	1						

Fig.7. CAMSHAFT & DRIVING GEAR

7. CAMSHAFT & DRIVING GEAR



X-MARK PARTS: NOT SOLD SEPARATELY.

(A)=3TNE88-LAN
(B)=3TNE88-ELAN
(C)=

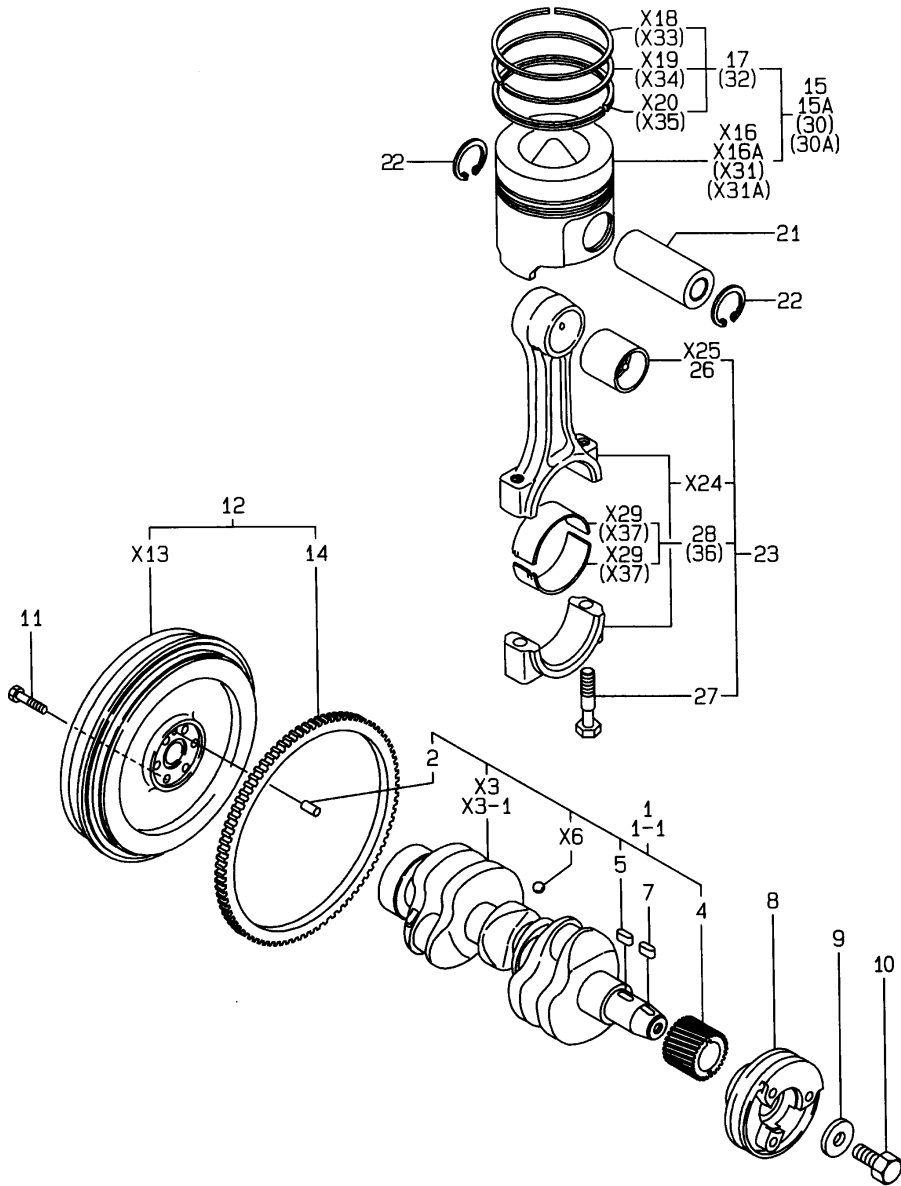
(D)=
(E)=
(F)=

No.	Lev.	Parts No.	Description	Q'ty						I	R
				(A)	(B)	(C)	(D)	(E)	(F)		
1	1	129150-14200	TAPPET	6	6						
2	1	129150-14400	ROD, PUSH L=178	6	6						
3	1	129129-14580	CAMSHAFT ASSY	1	1						
4	2	129150-02450	BEARING, THRUST	1	1						
6	2	129150-14101	GEAR, CAMSHAFT	1	1						
7	2	22512-070140	KEY, 7X 14	1	1						
8	1	129100-25061	SHAFT, IDLE	1	1						
9	1	129150-25101	GEAR ASSY, IDLE	1	1						
12	2	129150-25920	BUSH, IDLE GEAR	1	1						1
13	1	26106-080452	BOLT, M8X 45 PLATED	2	2						
14	1	129150-25900	GEAR, PUMP	1							
15	1	22217-120000	WASHER, SPRING 12	1							
16	1	26716-120002	NUT, M12	1							
17	1	26106-080142	BOLT, M8X 14 PLATED	2	2						
18	1	121023-26070	COVER	1	1						
19	1	24321-000850	O-RING, 1AG85.0	1	1						
20	1	26106-100452	BOLT, M10X 45 PLATED	2	2						
21	1	129051-26200	DRIVE ASSY, PUMP	1	1						
23	2	129051-26210	GEAR ASSY, PUMP	1	1						
27	2	24105-060064	BEARING, BALL 6006Z	2	2						
28	1	171353-26081	GASKET	1	1						
29	1	26450-080282	BOLT, M8X 28	1	1						
30	1	26106-080162	BOLT, M8X 16 PLATED	4	4						
31	1	124240-01871	COVER	1	1						
32	1	124240-01883	GASKET	1	1						
33	1	129150-25301	BOLT		4						
34	1	129150-25931	GEAR, PUMP		1						

Remarks
(1) REPAIR PART.

Fig.8. CRANKSHAFT & PISTON

8. CRANKSHAFT & PISTON



(A)=3TNE88-LAN
(B)=3TNE88-ELAN
(C)=

(D)=
(E)=
(F)=

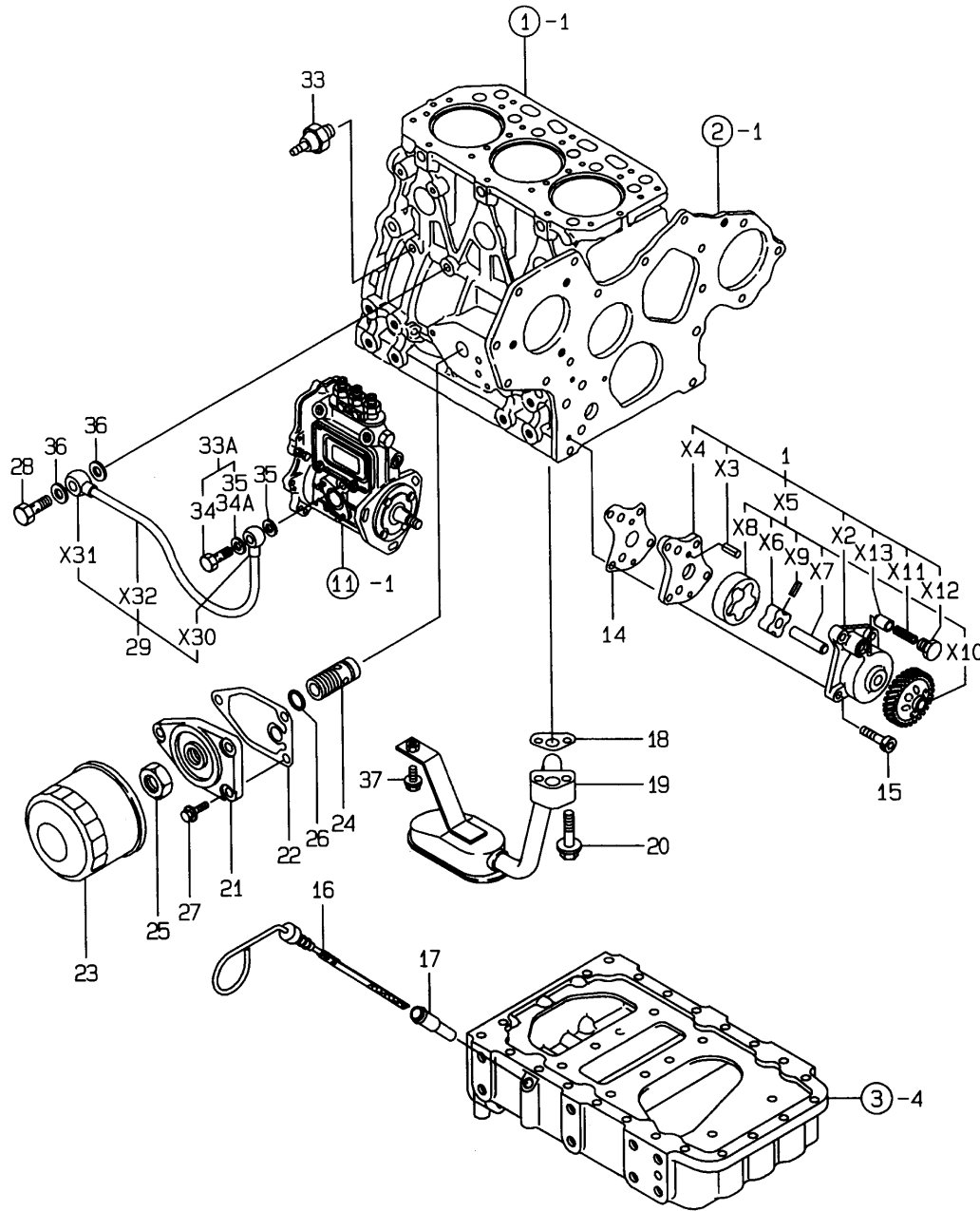
No.	Lev.	Parts No.	Description	Q'ty						I	R
				(A)	(B)	(C)	(D)	(E)	(F)		
1	1	129001-21000	CRANKSHAFT ASSY	1							
1-1	1	129001-21100	CRANKSHAFT ASSY	1	1						S
(A=E32272)											
2	2	129100-01580	PIN, M8X16	1	1						
4	2	129150-21200	GEAR, CRANKSHAFT	1	1						
5	2	22512-070140	KEY, 7X 14	1	1						
7	1	22512-070160	KEY, 7X 16	1							
7-1	1	22512-070140	KEY, 7X 14	1	1						N
(A=E19476)											
8	1	129051-21660	V-PULLEY	1	1						
9	1	129795-21661	WASHER	1	1						
10	1	121850-21680	BOLT	1	1						
11	1	121111-21501	BOLT, FLYWHEEL	6	6						
12	1	129051-21580	FLYWHEEL ASSY	1	1						
14	2	119865-21600	GEAR, RING	1	1						
15	1	129001-22081	PISTON ASSY	3							
15A	1	129001-22070	PISTON ASSY		3						
17	2	129001-22500	RING SET, PISTON	3	3						
21	1	129202-22300	PIN, PISTON D26 L70	3	3						
22	1	22252-000260	RING, 26	6	6						
23	1	729402-23100	ROD ASSY, CONNECTING	3	3						
26	2	129100-23910	BEARING, PISTON PIN	3	3						1
27	2	121550-23200	BOLT, CONNECTING ROD	6	6						
28	2	129150-23600	BEARING, CRANK PIN	3	3						
30	1	129001-22901	PISTON ASSY, 0.25 OS	3							2
30A	1	129001-22930	PISTON ASSY, 0.25 OS		3						2
32	2	129001-22950	RING SET, 0.25 OS	3	3						2
36	1	129150-23610	BEARING, 0.25 US	3	3						3

Remarks

- (1) REPAIR PART.
- (2) OVER-SIZE(O.S=0.25)PART.
- (3) UNDER-SIZE(U.S=0.25)PART.

Fig.9. LUB.OIL SYSTEM

9.LUB.OIL SYSTEM



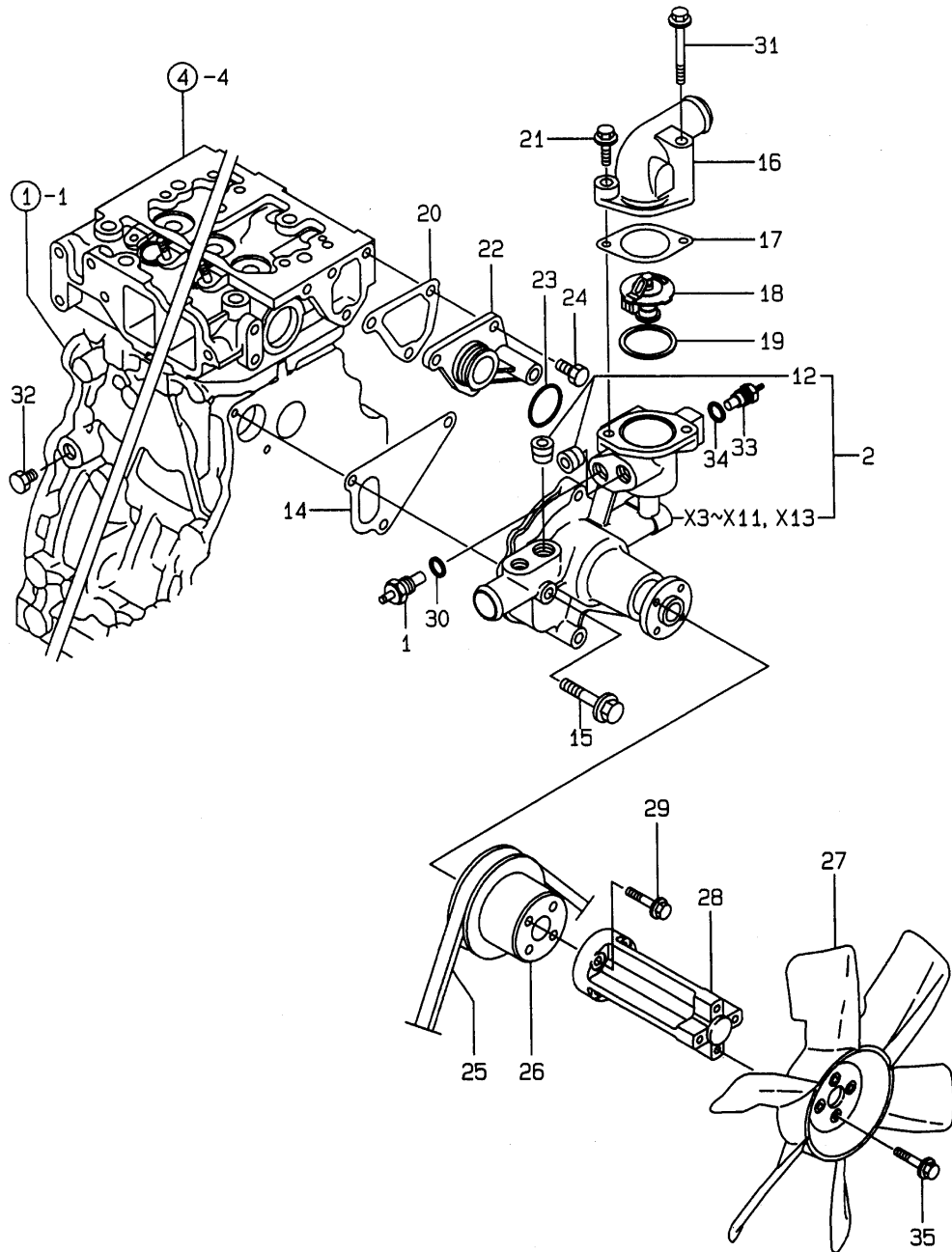
(A)=3TNE88-LAN
(B)=3TNE88-ELAN
(C)=

(D)=
(E)=
(F)=

No.	Lev.	Parts No.	Description	Q'ty						I	R
				(A)	(B)	(C)	(D)	(E)	(F)		
1	1	129001-32001	PUMP ASSY, OIL	1	1						
14	1	129150-32020	GASKET, PUMP	1	1						
15	1	26450-060252	BOLT, M6X 25	4	4						
16	1	129457-34800	DIPSTICK, OIL	1	1						
17	1	121520-34810	GUIDE, DIPSTICK	1	1						
18	1	129150-35041	GASKET	1	1						
19	1	129051-35090	PIPE ASSY, OIL INLET	1	1						
20	1	26106-080352	BOLT, M8X 35 PLATED	2	2						
21	1	129150-35101	BRACKET, STRAINER	1	1						
22	1	129150-35111	GASKET	1	1						
23	1	129150-35151	FILTER, D80XL80	1	1						
24	1	129001-35300	BOLT, FILTER	1	1						
25	1	129150-35350	NUT	1	1						
26	1	24311-000160	O-RING, 1AP16.0	1	1						
27	1	26106-080202	BOLT, M8X 20 PLATED	3	3						
28	1	124160-39140	BOLT, PIPE JOINT M10	1	1						
29	1	129150-39450	PIPE ASSY, OIL	1	1						
33	1	124160-39450	SWITCH, 0.5KG	1							
33-1	1	114250-39450	SWITCH, 0.5KG	1	1						N
		(A=E27040)									
33A	1	124550-59830	BOLT ASSY, JOINT M8	1	1						W
		(A=E19476)									
34	2	124550-59820	BOLT, PIPE JOINT M8	1	1						
34A	2	23414-080000	GASKET, 8X1.0	1							W
		(A=E19476)									
34A-1	2	22190-080002	WASHER, SEAL 6	1	1						N
		(A=E25369)									
35	1	23414-080000	GASKET, 8X1.0	2							
35-1	1	23414-080000	GASKET, 8X1.0	1							K
		(A=E19476)									
35-2	1	22190-080002	WASHER, SEAL 6	1	1						N
		(A=E25369)									
36	1	23414-100000	GASKET, 10X1.0	2							
36-1	1	22190-100002	WASHER, SEAL 10	2	2						N
		(A=E25369)									
37	1	26106-080102	BOLT, M8X 10 PLATED	1	1						W
		(A=E21322)									

Fig.10. COOLING WATER SYSTEM

10.COOLING WATER SYSTEM



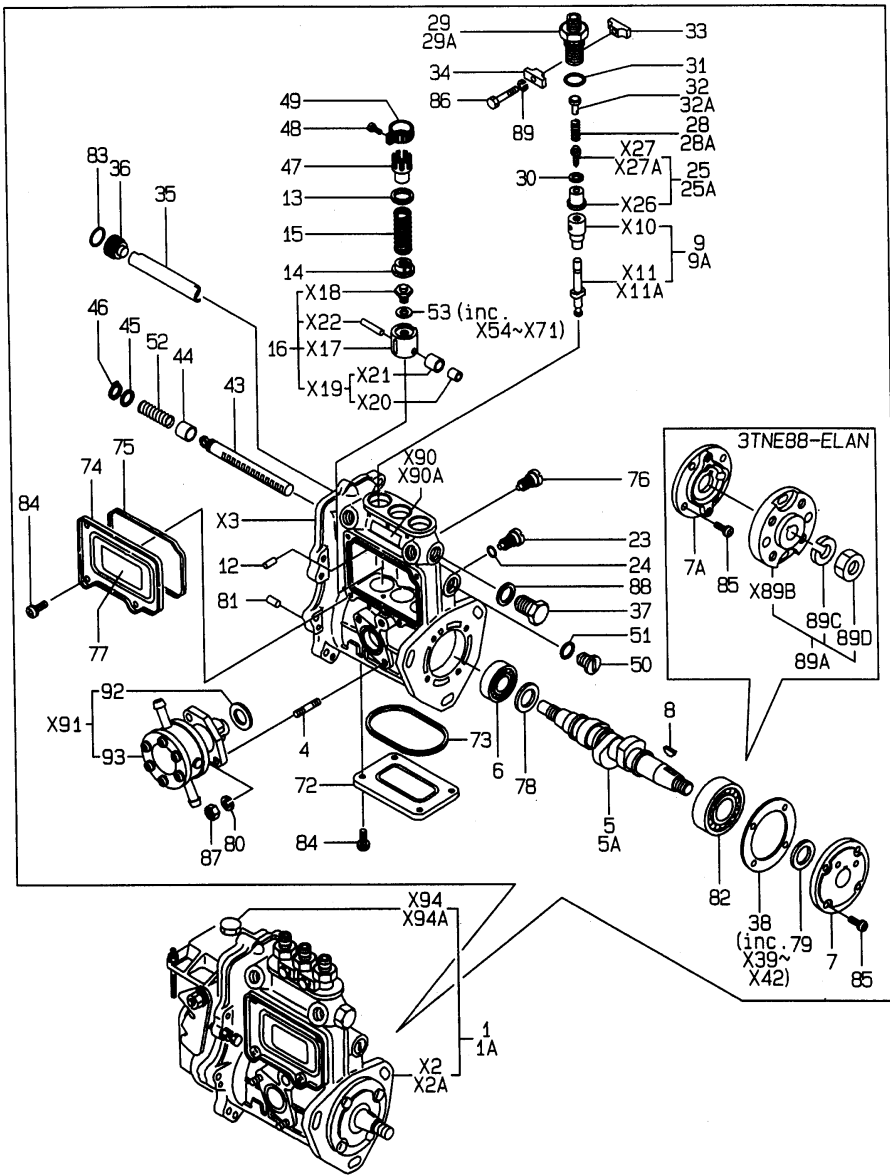
(A)=3TNE88-LAN
(B)=3TNE88-ELAN
(C)=

(D)=
(E)=
(F)=

No.	Lev.	Parts No.	Description	Q'ty						I	R
				(A)	(B)	(C)	(D)	(E)	(F)		
1	1	121250-44901	SWITCH, 110	1	1						
2	1	129001-42002	PUMP ASSY, WATER	1							
2-1	1	129001-42003	PUMP ASSY, WATER	1	1						N
(A=E24129)											
12	2	23871-030000	PLUG, R03	2							
12-1	2	23876-030000	PLUG, R03	2	2						N
(A=E22402)											
14	1	129100-42020	GASKET, WATER PUMP	1							
14-1	1	129486-42021	GASKET, WATER PUMP	1	1						N
(A=E24129)											
15	1	26106-080602	BOLT, M8X 60 PLATED	3	3						
16	1	124101-49530	COVER, THERMOSTAT	1	1						
17	1	129795-49551	GASKET	1	1						
18	1	129574-49800	THERMOSTAT, 82	1	1						
19	1	129150-49811	GASKET, THERMOSTAT	1	1						
20	1	129100-49840	GASKET	1							
20-1	1	124395-49840	GASKET	1	1						N
(A=E30459)											
21	1	26106-080252	BOLT, M8X 25 PLATED	1	1						
22	1	129001-42040	JOINT	1	1						
23	1	24321-000300	O-RING, 1AG30.0	1							
23-1	1	129486-42140	O-RING, G30	1	1						N
(A=E23368)											
24	1	26106-080162	BOLT, M8X 16 PLATED	3	3						
25	1	25132-003600	V-BELT, A36	1	1						
26	1	129556-42350	V-PULLEY, 96	1	1						
27	1	129354-44740	FAN, COOLING	1	1						
28	1	129051-44760	SPACER, FAN	1	1						
29	1	26014-060302	BOLT, M6X 30	4	4						
30	1	124465-44950	GASKET, 16	1	1						
31	1	26106-080652	BOLT, M8X 65 PLATED	1	1						
32	1	171056-49120	PLUG, DRAIN	1	1						
33	1	124250-49351	SENSOR	1	1						
34	1	129150-49360	GASKET	1	1						
35	1	26106-060222	BOLT, M6X 22 PLATED	4							
35-1	1	26106-060182	BOLT, M6X 18 PLATED	4	4						N
(A=E21778)											

Fig.11. FUEL INJECTION PUMP

11.FUEL INJECTION PUMP

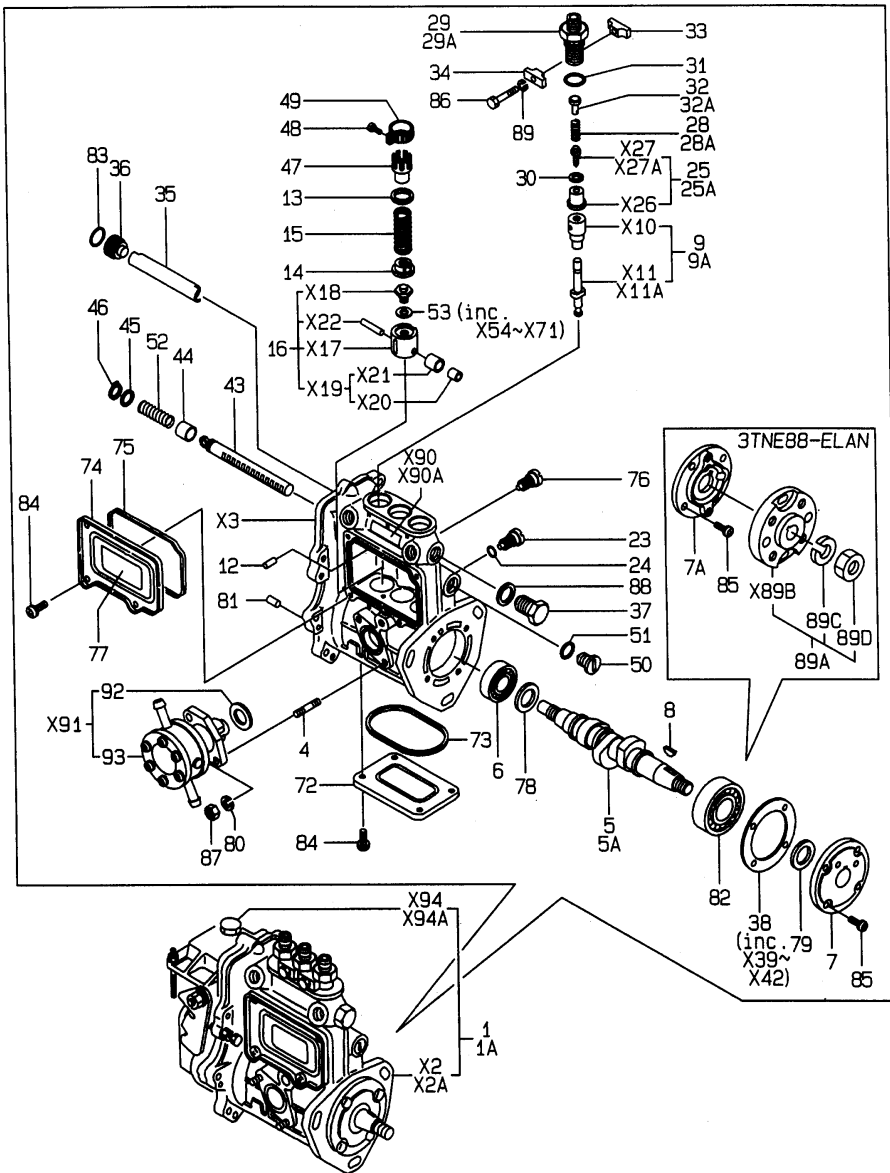


No.	Lev.	Parts No.	Description	Q'ty						I	R
				(A)	(B)	(C)	(D)	(E)	(F)		
1	1	729051-51390	PUMP ASSY, INJECTION	1							1
1A	1	729051-51450	PUMP ASSY, INJECTION		1						1
4	3	129155-51020	STUD	2	2						
5	3	119810-51040	CAMSHAFT	1							
5A	3	129171-51040	CAMSHAFT		1						
6	3	129155-51050	BEARING, 17BM001D	1	1						
7	3	129155-51060	SUPPORT, CAMSHAFT	1							
7A	3	129208-51060	SUPPORT		1						
8	3	122710-51090	KEY	1	1						
9	3	129470-51101	PLUNGER ASSY	3							
9A	3	129506-51100	PLUNGER ASSY		3						
12	3	129155-51140	PIN	3	3						
13	3	174307-51170	RETAINER, SPRING A	3	3						
14	3	129155-51180	RETAINER, SPRING	3	3						
15	3	124950-51190	SPRING, PLUNGER	3	3						
16	3	129155-51200	TAPPET ASSY	3	3						
23	3	129155-51270	STOPPER, TAPPET	3	3						
24	3	129155-51280	O-RING, S6	3	3						
25	3	129100-51300	VALVE ASSY, DELIVERY	3							
25A	3	129209-51300	VALVE ASSY, DELIVERY		3						
28	3	129155-51320	SPRING, DELIVERY	3							
28A	3	129573-51330	SPRING, DELIVERY		3						
29	3	129155-51340	RETAINER	3							
29A	3	129573-51340	RETAINER		3						
30	3	124550-51350	GASKET, DELIVERY	3	3						
31	3	124550-51370	O-RING	3	3						
32	3	129155-51370	STOPPER, VALVE	3							
32A	3	129573-51370	STOPPER, VALVE		3						
33	3	129155-51380	STOPPER	2	2						
34	3	129155-51390	STOPPER	2	2						
35	3	129155-51400	DEFLECTOR	1	1						
36	3	129155-51410	BOLT	1	1						
37	3	129155-51420	PLUG, M16	1	1						
38	3	129155-51450	SHIM SET, ADJUSTING	1	1						
43	3	129155-51500	RACK, CONTROL	1	1						
44	3	129155-51521	BUSH, RACK	1	1						
45	3	129155-51530	SPACER	1	1						
46	3	129155-51540	CIRCLIP	1	1						
47	3	129155-51550	PINION, CONTROL	3	3						
48	3	122117-51560	SCREW	3	3						
49	3	174307-51560	PINION	3	3						
50	3	129155-51570	PLUG, M12	1	1						
51	3	129155-51580	O-RING	1	1						
52	3	129155-51591	SPRING, RACK	1	1						
53	3	129155-51600	SHIM SET, ADJUSTING	3	3						
72	3	129155-51700	COVER	1							
72-1	3	129155-51701	COVER	1	1						N
(A=E27891)											
73	3	129155-51710	GASKET	1							
73-1	3	129155-51711	GASKET	1	1						N
(A=E32272)											

Remarks
 (1) GOVERNOR (FIG. NO. 12) IS INCORPORATED IN THIS FUEL INJECTION PUMP. (REF. NO. 1, 1A).

Fig.11. FUEL INJECTION PUMP

11.FUEL INJECTION PUMP



(A)=3TNE88-LAN
(B)=3TNE88-ELAN
(C)=

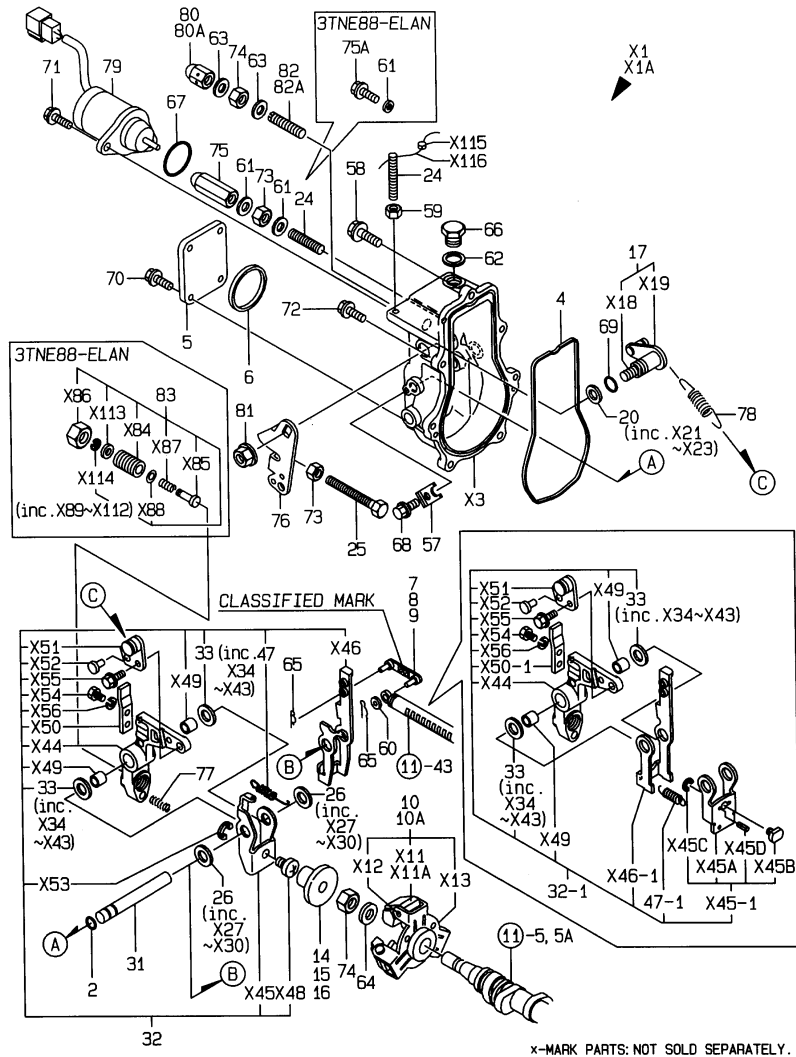
(D)=
(E)=
(F)=

No.	Lev.	Parts No.	Description	Qty						I	R
				(A)	(B)	(C)	(D)	(E)	(F)		
74	3	129155-51750	COVER	1							
74-1	3	129155-51751	COVER	1	1						N
(A=E27891)											
75	3	129155-51760	GASKET	1	1						
76	3	129155-51790	STOOPER, RACK	1	1						
77	3	129156-51910	LABEL, CAUTION	1	1						
78	3	129155-51930	SPACER, T=3.25	1	1						
79	3	129155-51940	SPACER, T=1.5	1	1						
80	3	22217-060000	WASHER, SPRING 6	2	2						
81	3	22351-050010	PIN, SPRING 5.0X10	2	2						
82	3	24101-063034	BEARING, BALL 6303	1	1						
83	3	24341-000160	O-RING, 1AS16.0	1	1						
84	3	26022-050102	SCREW, M5X10	8							
84-1	3	26022-050122	SCREW, M5X12	8	8						N
(A=E27891)											
85	3	26022-060162	SCREW, M6X16	4	4						
86	3	26116-050302	BOLT, M5X 30 PLATED	2	2						
87	3	26716-060002	NUT, M6	2	2						
88	3	22190-160002	WASHER, SEAL 16	1	1						
89	3	22217-050000	WASHER, SPRING 5	2	2						
89A	3	129208-54500	FLANGE ASSY		1						
89C	4	22217-120000	WASHER, SPRING 12		1						
89D	4	26716-120002	NUT, M12		1						
92	3	129155-52050	GASKET	1	1						
93	3	129100-52100	PUMP ASSY, FUEL FEED	1	1						

Remarks
(1) GOVERNOR(FIG.NO.12)IS INCORPORATED IN THIS FUEL INJECTION PUMP.
(REF.NO.1,1A).

Fig.12. GOVERNOR

12. GOVERNOR



x-MARK PARTS: NOT SOLD SEPARATELY.

Remarks
 (1) SELECTIVE PARTS: CERTAIN THE CLASSIFICATION MARK, THEN PLACE YOUR ORDER.(REFER TO ILLUSTRATION).
 (2) SELECTIVE PARTS.
 * THIS FIGURE(GOVERNOR ASSY)IS INCORPORATED IN THE FUEL INJECTION PUMP ASSY(FIG.11).

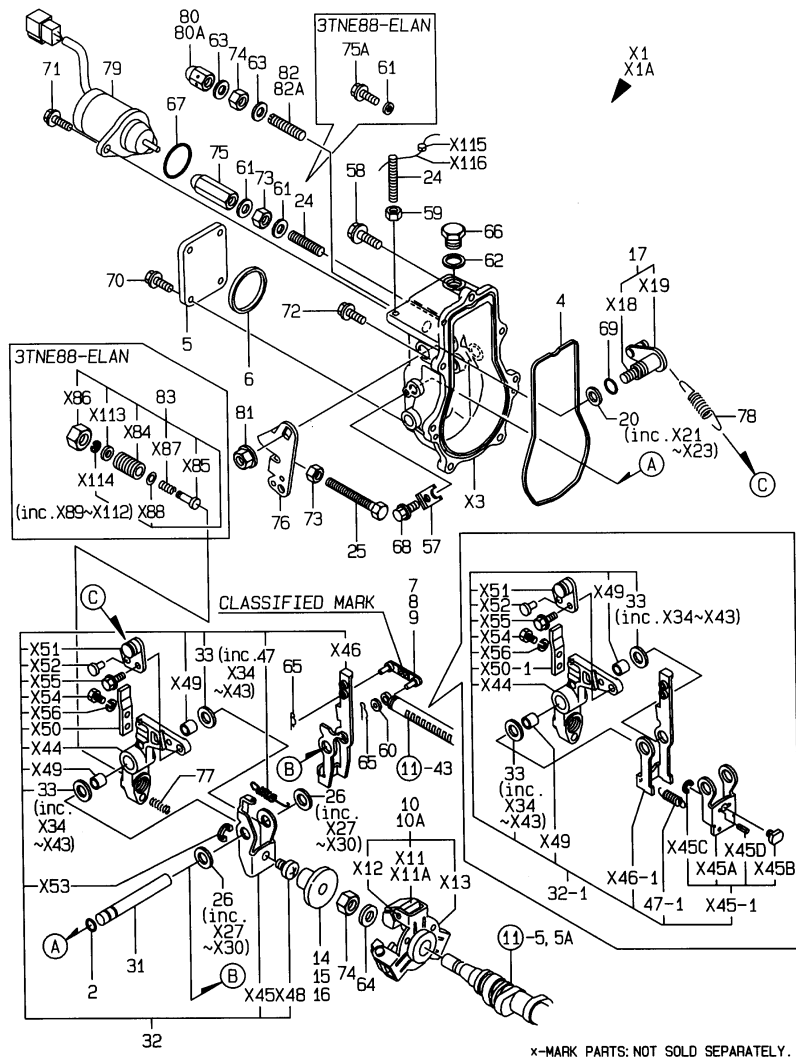
(A)=3TNE88-LAN
 (B)=3TNE88-ELAN
 (C)=

(D)=
 (E)=
 (F)=

No.	Lev.	Parts No.	Description	(A)	(B)	(C)	(D)	(E)	(F)	Q'ty	I	R
2	3	129155-51280	O-RING, S6	1	1							
4	3	129052-61050	GASKET	1	1							
5	3	129052-61060	COVER, GOVERNOR CASE	1	1							
6	3	129052-61070	GASKET	1	1							
7	3	129155-61120	LINK, L=30 MARK 0	1	1							1
8	3	129155-61130	LINK, L=31 MARK 1	1	1							1
9	3	129155-61140	LINK, L=30.5 MARK 05	1	1							1
10	3	129155-61201	WEIGHT ASSY,GOVERNOR	1								
10-1	3	129155-61202	WEIGHT ASSY,GOVERNOR	1								R
(A=E27891)												
10A	3	129486-61201	WEIGHT ASSY,GOVERNOR		1							
14	3	129155-61341	SLEEVE	1	1							2
15	3	129155-61350	SLEEVE, L=24.9	1	1							2
16	3	129155-61360	SLEEVE, L=25.2	1	1							2
17	3	129100-61400	SHAFT ASSY	1	1							
20	3	129155-61430	SPACER	1	1							
24	3	129155-61450	BOLT, LIMITER	2	1							
25	3	129155-61460	BOLT, IDLE	1	1							
26	3	129155-61480	SPACER ASSY	2	2							
31	3	129052-61390	SHAFT	1	1							
32	3	129052-61500	LEVER ASSY, GOVERNOR	1								
32-1	3	119908-61501	LEVER ASSY, GOVERNOR	1	1							R
(A=E32272)												
33	4	174307-51700	SHIM SET	2	2							
47	4	129052-61540	SPRING, SET	1								
47-1	4	129486-61540	SPRING, SET	1	1							S
(A=E32272)												
57	3	119660-61901	RETAINER, SHAFT	1	1							
58	3	129155-61950	BOLT	1	1							
59	3	124550-66370	NUT, M6	1	1							
60	3	22117-04000	WASHER, 4	1	1							
61	3	22190-060003	SEAL WASER 6	2	1							
62	3	22190-100002	WASHER, SEAL 10	1	1							
63	3	22190-120002	WASHER, SEAL 12	2	2							
64	3	22287-120000	WASHER, 12	1	1							
65	3	22372-040000	PIN, SNAP 4	2	2							
66	3	23887-100002	PLUG, 10	1	1							
67	3	24341-000280	O-RING, 1AS28.0	1	1							
67-1	3	158552-61900	O-RING	1	1							N
(A=EXXXXX) (B=EXXXXX)												
68	3	26106-060102	BOLT, M6X 10 PLATED	1	1							
69	3	129155-61830	O-RING, S10	1	1							
70	3	26106-060102	BOLT, M6X 10 PLATED	4	4							
71	3	26106-060142	BOLT, M6X 14 PLATED	2	2							
72	3	26106-060202	BOLT, M6X 20 PLATED	6	6							
73	3	26756-060002	NUT, LOCK M6	2	1							
74	3	26776-120002	NUT, LOCK M12	2	2							
75	3	119600-66840	NUT, CAP	1								
75A	3	26106-060102	BOLT, M6X 10 PLATED		1							
76	2	129100-61440	LEVER, CONTROL	1	1							
77	2	129100-61650	SPRING, CONTROLLER	1	1							

Fig.12. GOVERNOR

12. GOVERNOR



(A)=3TNE88-LAN
(B)=3TNE88-ELAN
(C)=

(D)=
(E)=
(F)=

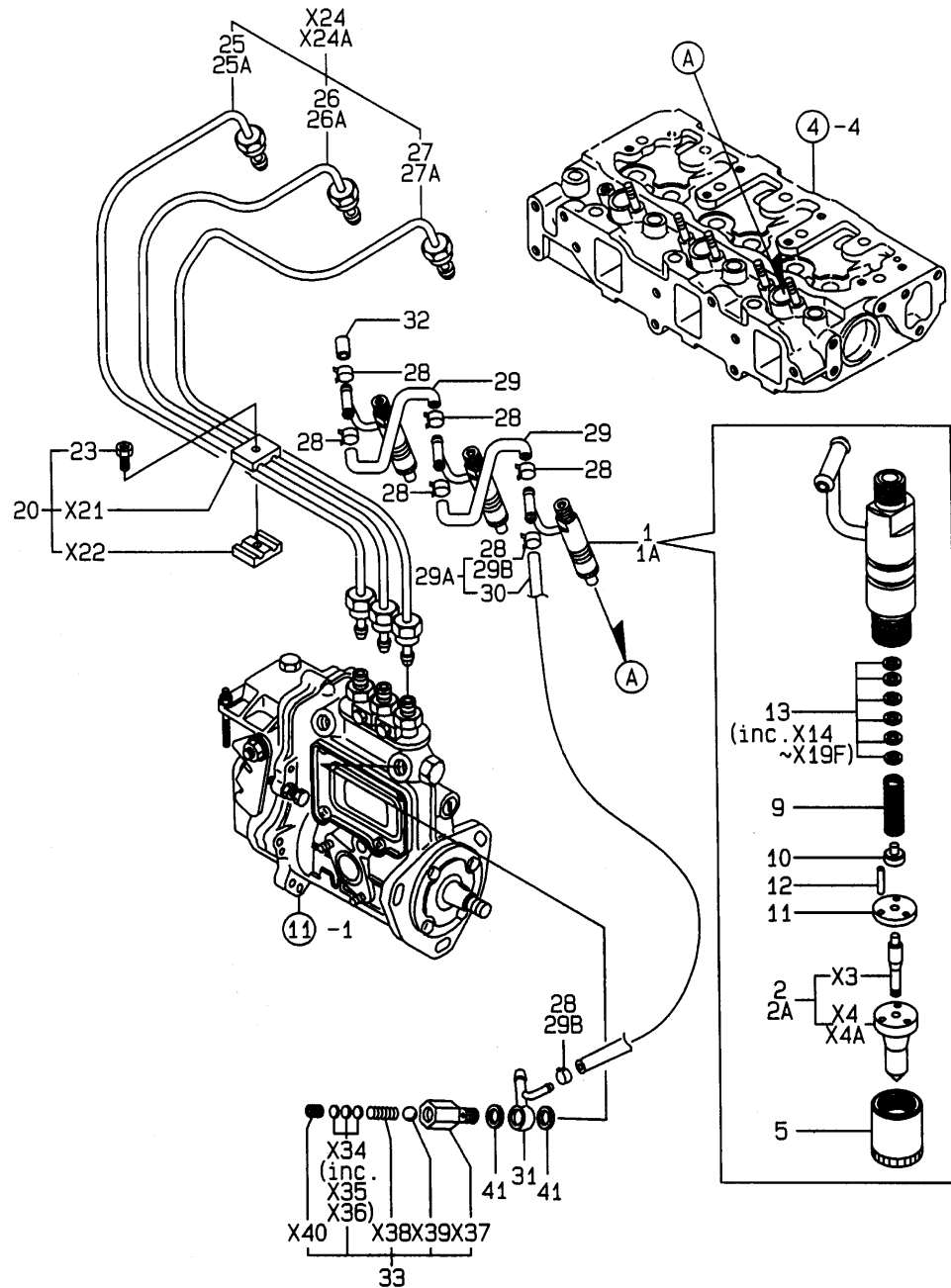
No.	Lev.	Parts No.	Description	Q'ty						I	R
				(A)	(B)	(C)	(D)	(E)	(F)		
78	2	171353-61710	SPRING, GOVERNOR	1	1						
79	2	119653-77950	SOLENOID, STOP	1	1						
80	2	26687-120002	NUT, CAP M12	1							
80A	2	129100-61930	NUT, CAP		1						
81	2	26366-080002	NUT, M8	1	1						
82	2	129155-61470	BOLT, CONTROL	1							
82A	2	120323-61470	BOLT, CONTROL		1						
83	2	119600-66720	ANGLEICH ASSY		1						

Remarks

- (1) SELECTIVE PARTS: CERTAIN THE CLASSIFICATION MARK, THEN PLACE YOUR ORDER.(REFER TO ILLUSTRATION).
- (2) SELECTIVE PARTS.
* THIS FIGURE(GOVERNOR ASSY)IS INCORPORATED IN THE FUEL INJECTION PUMP ASSY(FIG.11).

Fig.13. FUEL INJECTION VALVE

13.FUEL INJECTION VALVE



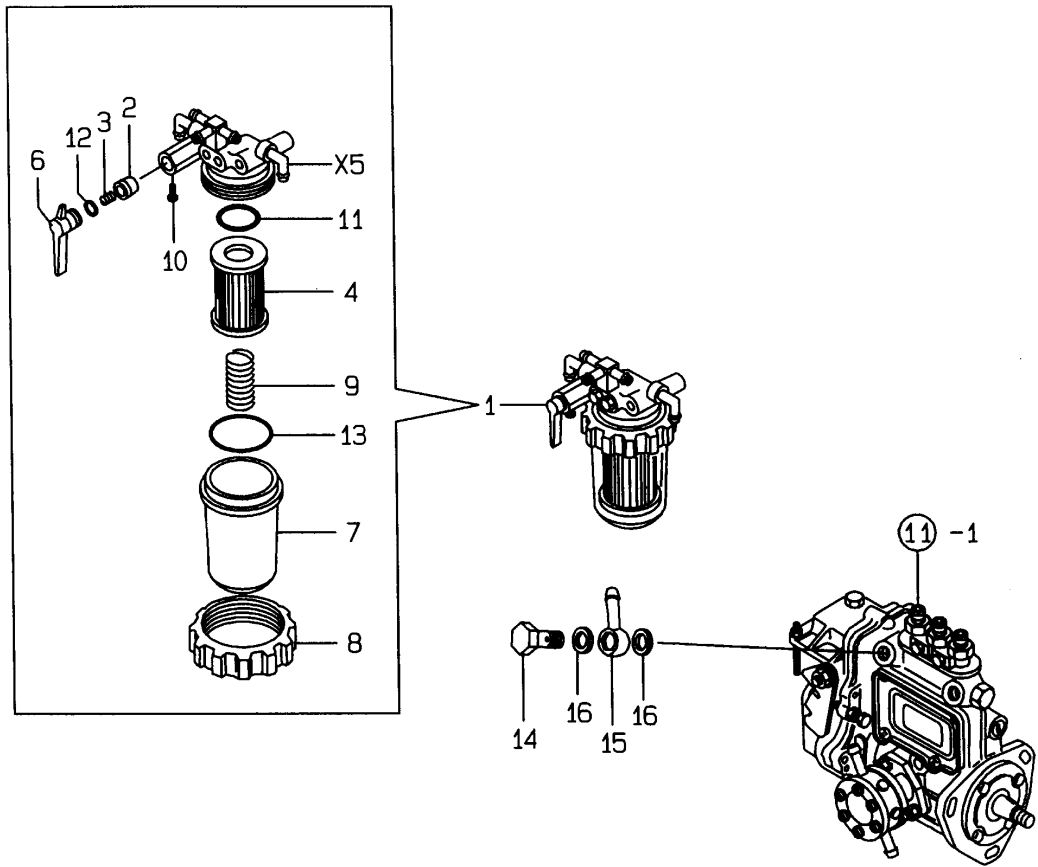
(A)=3TNE88-LAN
(B)=3TNE88-ELAN
(C)=

(D)=
(E)=
(F)=

No.	Lev.	Parts No.	Description	Q'ty						I	R
				(A)	(B)	(C)	(D)	(E)	(F)		
1	1	729503-53100	VALVE ASSY,INJECTION	3							
1A	1	729209-53100	VALVE ASSY,INJECTION		3						
2	2	129503-53000	VALVE ASSY,INJECTION	3							
2A	2	129209-53000	VALVE ASSY,INJECTION		3						
5	2	114250-53080	NUT, NOZZLE D16.95	3	3						
9	2	114250-53120	SPRING, NOZZLE	3	3						
10	2	114250-53130	SEAT, SPRING	3	3						
11	2	114250-53140	PLATE	3	3						
12	2	114250-53210	PIN	6	6						
13	2	114250-53400	SHIM SET	3	3						
20	1	119305-59120	RETAINER, PIPE	2	2						
23	2	129150-59131	BOLT, M4X14	2	2						
25	2	129052-59710	PIPE ASSY, INJECTION	1							
25-1	2	129052-59711	PIPE ASSY, INJECTION	1							N
(A=E29322)											
25A	2	129052-59810	PIPE ASSY, INJECTION		1						
26	2	129052-59720	PIPE ASSY, INJECTION	1							
26A	2	129052-59820	PIPE ASSY, INJECTION		1						
27	2	129052-59730	PIPE ASSY, INJECTION	1							
27A	2	129052-59830	PIPE ASSY, INJECTION		1						
28	1	124066-59100	CLIP, HOSE 8	7	7						
29	1	121250-59550	PIPE, FUEL D8X120	2	2						
29A	1	119840-59500	PIPE ASSY, RETURN	1	1						W
(A=E27040)											
29B	2	124066-59100	CLIP, HOSE 8	2	2						W
(A=E27040)											
30	2	119840-59560	PIPE, FUEL RETURN	1	1						
31	1	119808-59570	JOINT, OVER FLOW	1							
31-1	1	119840-59570	JOINT	1	1						N
(A=FROM 1ST)											
32	1	129150-59580	CAP	1	1						
33	1	129100-59951	VALVE ASSY, CHECK	1	1						
41	1	23414-120000	GASKET, 12X1.0	2							
41-1	1	22190-120002	WASHER, SEAL 12	2	2						N
(A=E23368)											

Fig.14. FUEL LINE

14.FUEL LINE



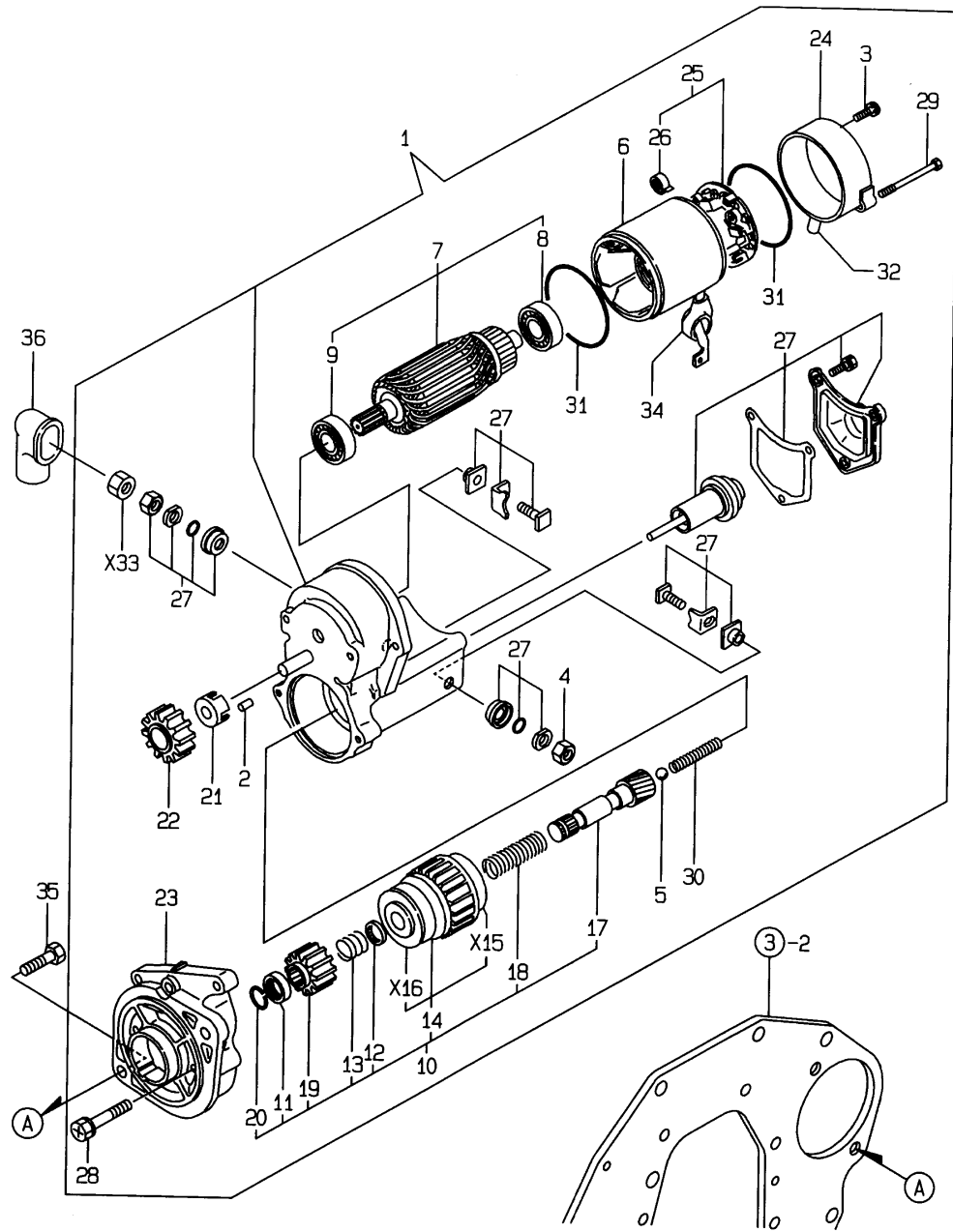
(A)=3TNE88-LAN
(B)=3TNE88-ELAN
(C)=

(D)=
(E)=
(F)=

No.	Lev.	Parts No.	Description	Q'ty						I	R
				(A)	(B)	(C)	(D)	(E)	(F)		
1	1	129052-55620	FILTER ASSY, FUEL	1	1						
2	2	104200-55321	VALVE, TAPER	1	1						
3	2	104200-55330	SPRING, VALVE	1	1						
4	2	129100-55650	ELEMENT	1	1						
6	2	129100-55670	LEVER	1	1						
7	2	129100-55680	CUP, STRAINER	1	1						
8	2	129100-55690	RING, RETAINING	1	1						
9	2	129100-55700	SPRING	1	1						
10	2	104200-55750	SCREW, M4	1	1						
11	2	24311-000160	O-RING, 1AP16.0	1	1						
12	2	24311-240100	O-RING, 1AP10A	1	1						
13	2	24321-000650	O-RING, 1AG65.0	1	1						
14	1	103854-39140	BOLT, PIPE JOINT	1	1						
15	1	101304-59020	JOINT, PIPE 12	1	1						
16	1	22190-120002	WASHER, SEAL 12	2	2						

Fig.15. STARTING MOTOR

15. STARTING MOTOR



x-MARK PARTS: NOT SOLD SEPARATELY.

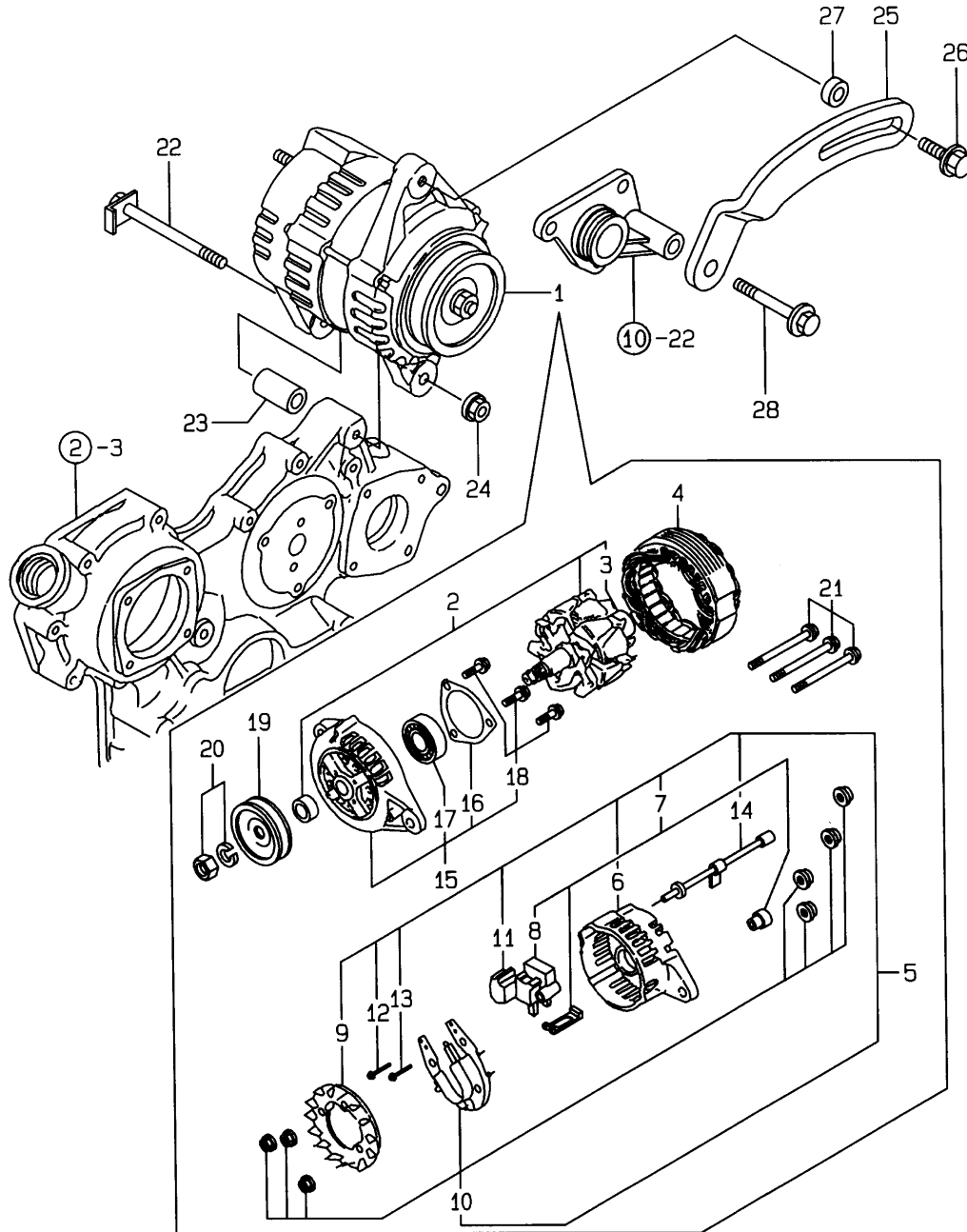
(A)=3TNE88-LAN
(B)=3TNE88-ELAN
(C)=

(D)=
(E)=
(F)=

No.	Lev.	Parts No.	Description	Q'ty						I	R
				(A)	(B)	(C)	(D)	(E)	(F)		
1	1	129129-77010	STARTER ASSY	1	1						
2	2	X0283060061	ROLLER	5	5						
3	2	129129-77460	SCREW	2	2						
4	2	X9490561370	NUT	1	1						
5	2	X9491200240	BALL	1	1						
6	2	129129-77210	YOKE ASSY	1	1						
7	2	129129-77220	ARMATURE ASSY	1	1						
8	3	129129-77230	BEARING	1	1						
9	3	129129-77240	BEARING	1	1						
10	2	129129-77250	STARTER	1	1						
11	3	X0280210230	NUT	1	1						
12	3	X0283270140	RETAINER	1	1						
13	3	X9491703371	SPRING, COIL	1	1						
14	3	129129-77390	CLUTCH ASSY	1	1						
17	3	129129-77400	SHAFT	1	1						
18	3	129129-77410	SPRING, COIL	1	1						
19	3	129129-77420	PINION, STARTER	1	1						
20	3	129129-77430	RING	1	1						
21	2	129129-77260	RETAINER	1	1						
22	2	129129-77270	PINION	1	1						
23	2	129129-77280	HOUSING	1	1						
24	2	129129-77290	FRAME	1	1						
25	2	129129-77300	HOLDER ASSY	1	1						
26	3	X9491730461	SPRING	4	4						
27	2	129129-77310	SWITCH ASSY	1	1						
28	2	129129-77320	BOLT	2	2						
29	2	129129-77330	BOLT	2	2						
30	2	129129-77340	SPRING	1	1						
31	2	129129-77350	O-RING	2	2						
32	2	129129-77362	COVER	1	1						
34	2	129129-77380	CAP	1	1						
35	1	26116-120202	BOLT, M12X 20 PLATED	1	1						
36	1	124550-77030	COVER, TERMINAL	1	1						

Fig.16. GENERATOR

16. GENERATOR



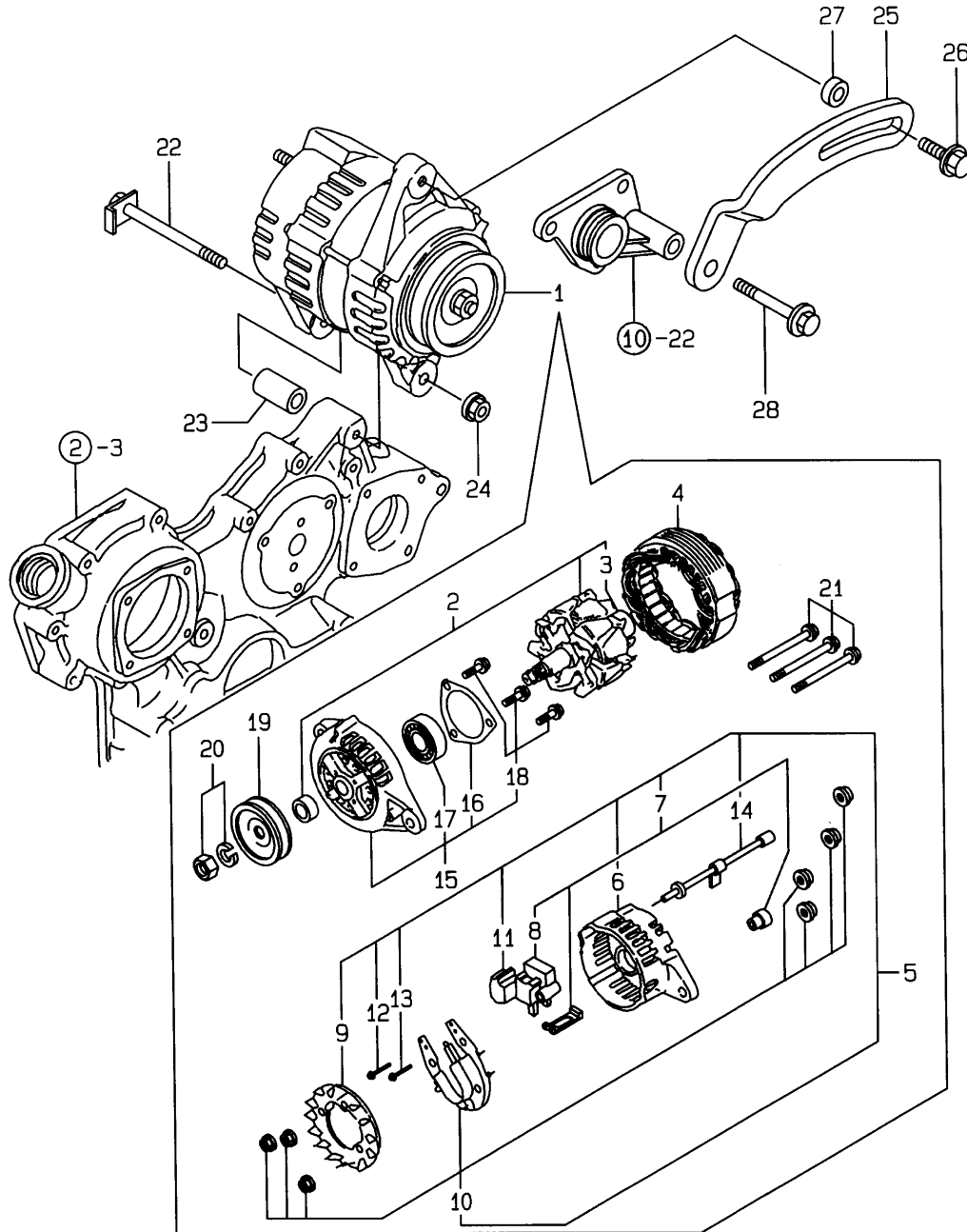
(A)=3TNE88-LAN
 (B)=3TNE88-ELAN
 (C)=

(D)=
 (E)=
 (F)=

No.	Lev.	Parts No.	Description	Q'ty						I	R
				(A)	(B)	(C)	(D)	(E)	(F)		
1	1	119836-77200	GENERATOR	1	1						
1-1	1	119626-77210 (B=E49633)	ALTERNATOR, 12V-55A		1						N
2	2	119836-77700 (B=E49633)	ROTOR ASSY	1	1						Z
3	3	119836-77850 (B=E49633)	BALL BEARING	1	1						Z
4	2	119836-77710 (B=E49633)	STATOR ASSY	1	1						Z
5	2	119836-77721 (B=E49633)	COVER ASSY, REAR	1	1						Z
6	3	119836-77730 (B=E49633)	COVER, REAR	1	1						Z
7	3	119836-77741 (B=E49633)	BRUSH ASSY,REGULATOR	1	1						Z
8	4	119836-77750 (B=E49633)	BRUSH ASSY	1	1						Z
9	3	119836-77760 (B=E49633)	GUIDE, FAN SIDE	1	1						Z
10	3	119836-77770 (B=E49633)	DIODE ASSY	1	1						Z
11	3	119836-77780 (B=E49633)	CONDENSER	1	1						Z
12	3	119836-77871 (B=E49633)	BOLT (1)	1	1						Z
13	3	119836-77880 (B=E49633)	BOLT (2)	1	1						Z
14	3	119836-77890 (B=E49633)	WIRE ASSY, LEAD	1	1						Z
15	2	119836-77790 (B=E49633)	COVER ASSY, FRONT	1	1						Z
16	3	119836-77800 (B=E49633)	RETAINER, BEARING	1	1						Z
17	3	119836-77840 (B=E49633)	BALL BEARING	1	1						Z
18	3	119836-77860 (B=E49633)	SCREW KID	1	1						Z
19	2	119836-77810 (B=E49633)	PULLEY	1	1						Z
20	2	119836-77820 (B=E49633)	NUT ASSY, PULLEY	1	1						Z
21	2	119836-77830 (B=E49633)	BOLT, THROUGH	1	1						Z
21A	2	X9490561001 (B=E49633)	NUT		1						W
21B	2	129052-77380 (B=E49633)	ROTOR ASSY		1						W
21C	3	125301-79240 (B=E49633)	BEARING, BALL		1						W
21D	3	119620-79250 (B=E49633)	COVER		1						W

Fig.16. GENERATOR

16. GENERATOR



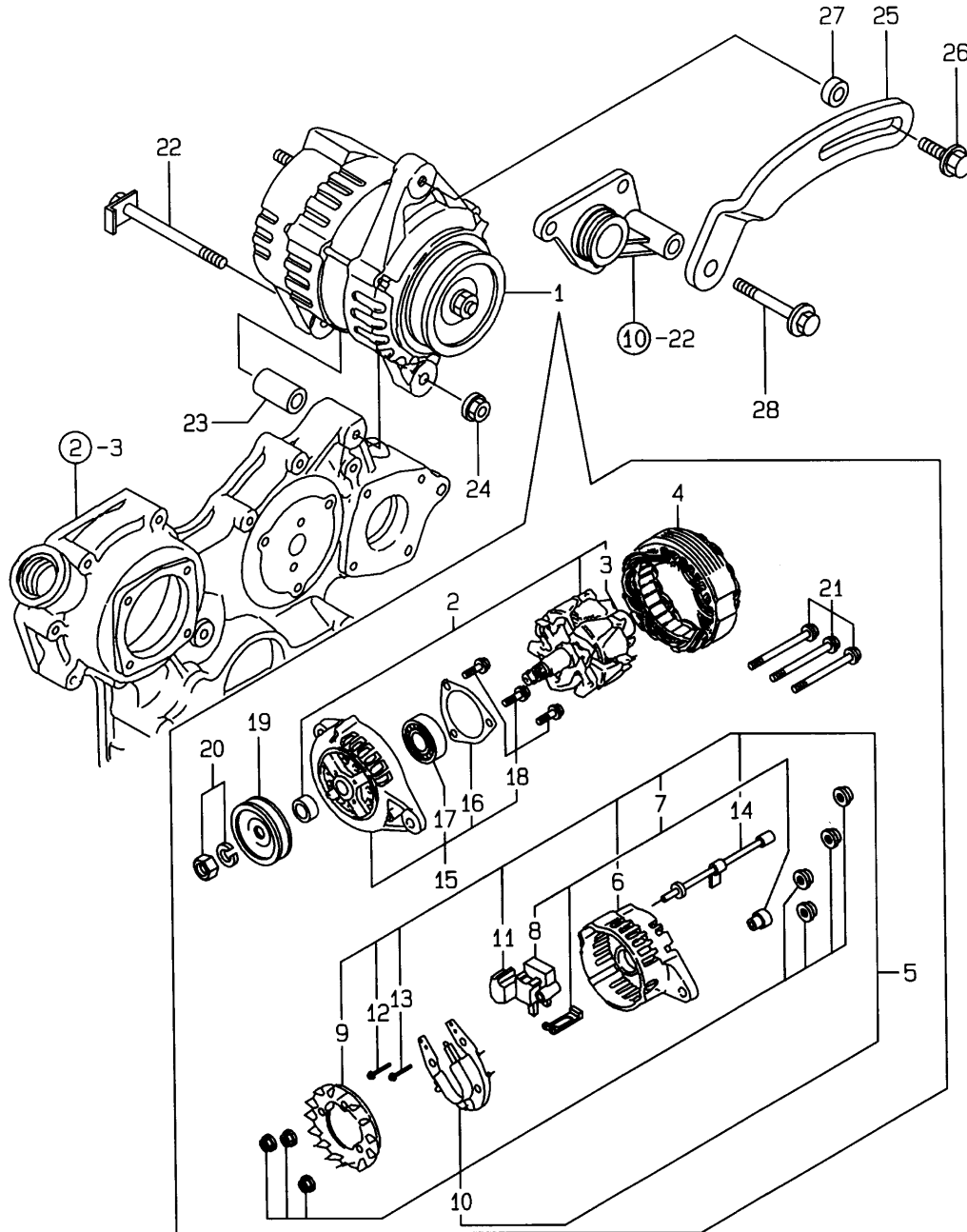
(A)=3TNE88-LAN
(B)=3TNE88-ELAN
(C)=

(D)=
(E)=
(F)=

No.	Lev.	Parts No.	Description	Q'ty						I	R
				(A)	(B)	(C)	(D)	(E)	(F)		
21E	2	129052-79422 (B=E49633)	FRAME ASSY		1						W
21F	3	119620-79200 (B=E49633)	BEARING, BALL		1						W
21G	3	119620-79210 (B=E49633)	PLATE, RETAINER		1						W
21H	3	119620-79220 (B=E49633)	SCREW		4						W
21J	3	119620-79230 (B=E49633)	STUD		2						W
21K	2	128401-77440 (B=E49633)	FRAME		1						W
21L	2	119620-77461 (B=E49633)	PULLEY		1						W
21M	2	119620-77471 (B=E49633)	NUT		1						W
21N	2	129052-79260 (B=E49633)	HOLDER		1						W
21P	2	129052-79270 (B=E49633)	HOLDER, BRUSH		1						W
21Q	2	119620-79290 (B=E49633)	SCREW		6						W
21R	2	119620-79300 (B=E49633)	SCREW		1						W
21S	2	119620-79310 (B=E49633)	BOLT		3						W
21T	2	119620-79320 (B=E49633)	SCREW		2						W
21U	2	119620-79330 (B=E49633)	BOLT		2						W
21V	2	119620-79340 (B=E49633)	BUSH, INSULATION		1						W
21W	2	119620-79350 (B=E49633)	NUT		2						W
21X	2	119626-77710 (B=E49633)	REGULATOR ASSY		1						W
21Y	2	119626-77450 (B=E49633)	COVER		1						W
21Z	2	119620-77490 (B=E49633)	COLLAR		1						W
22	1	129136-77251	BOLT, M8X110		1	1					
22-1	1	129795-01900 (B=E49633)	STUD		1						N
23	1	119820-77340	PIECE, DISTANCE		1	1					
24	1	26366-080002	NUT, M8		1	1					
24-1	1	26306-080002 (A=E49633) (B=E49633)	NUT, M8		1	1					N
24-2	1	26306-100002 (B=E49633)	NUT, M10		1						N
25	1	129051-77330	ADJUSTER		1	1					
26	1	119810-77340	BOLT, ADJUSTER		1	1					

Fig.16. GENERATOR

16. GENERATOR



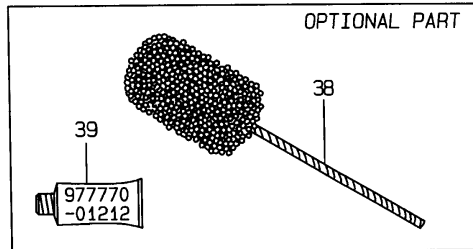
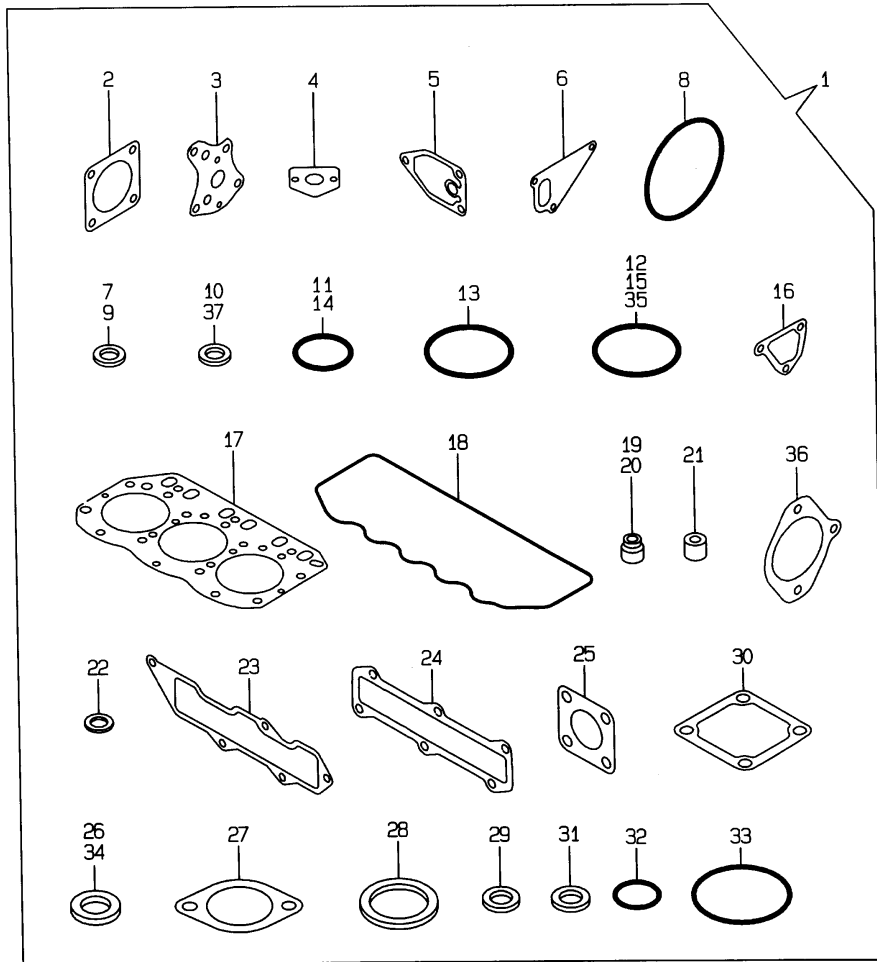
(A)=3TNE88-LAN
 (B)=3TNE88-ELAN
 (C)=

(D)=
 (E)=
 (F)=

No.	Lev.	Parts No.	Description	Q'ty						I	R
				(A)	(B)	(C)	(D)	(E)	(F)		
26-1	1	26014-080502 (B=E49633)	BOLT, M8X 50		1						N
27	1	106500-44810 (B=E49633)	SPACER	1	1						Z
28	1	26106-080502	BOLT, M8X 50 PLATED	1	1						

Fig.17. GASKET SET

17. GASKET SET

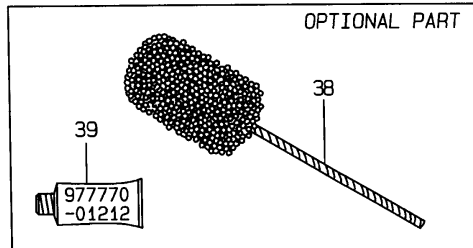
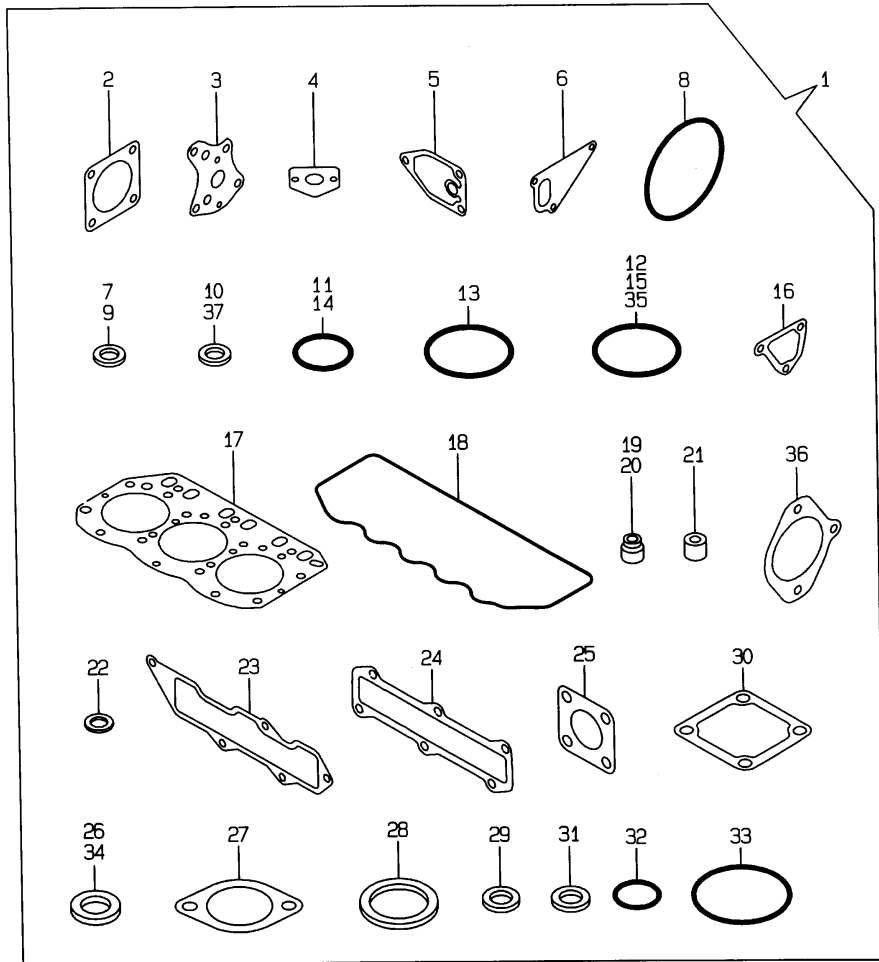


No.	Lev.	Parts No.	Description	Q'ty						I	R
				(A)	(B)	(C)	(D)	(E)	(F)		
1	1	729030-92630	GASKET SET	1							1
1-1	1	729030-92631 (A=EXXX)	GASKET SET	1	1						N 1
2	2	124240-01883 (A=EXXX)	GASKET	1							Z
3	2	129150-32020	GASKET, PUMP	1	1						
4	2	129150-35041	GASKET	1	1						
5	2	129150-35111	GASKET	1	1						
6	2	129100-42020	GASKET, WATER PUMP	1							
6-1	2	129486-42021 (A=E24129)	GASKET, WATER PUMP	1	1						N
7	2	22190-080002	WASHER, SEAL 6	5							
7-1	2	22190-080003 (A=E19476)	WASHER, SEAL 8	5	5						N
8	2	121850-51960	O-RING	1	1						
9	2	23414-080000	GASKET, 8X1.0	2							
9-1	2	22190-080002 (A=E19476)	WASHER, SEAL 6	2	2						N
10	2	23414-100000	GASKET, 10X1.0	2							
10-1	2	22190-100002 (A=E25369)	WASHER, SEAL 10	2	2						N
11	2	24311-000160	O-RING, 1AP16.0	3	3						
12	2	24341-000500	O-RING, 1AS50.0	1	1						
13	2	24341-000240	O-RING, 1AS24.0	1	1						
14	2	24311-000180	O-RING, 1AP18.0	2	2						
15	2	24311-000320	O-RING, 1AP32.0	2	2						
16	2	129100-49840	GASKET	1							
16-1	2	124395-49840 (A=E30459)	GASKET	1	1						N
17	2	129001-01340	GASKET, HEAD	1	1						
18	2	129150-11310	GASKET, BONNET	1	1						
19	2	121400-11340	SEAL, VALVE STEM	3	3						
20	2	124460-11340	SEAL, VALVE STEM	3	3						
21	2	119625-11870	PROTECTOR, NOZZLE	3	3						
22	2	119625-11880	SEAT, NOZZLE	3	3						
23	2	129001-12110	GASKET, MANIFOLD	1	1						
24	2	129001-13110	GASKET	1	1						
25	2	124701-11911	GASKET, SILENCER	1	1						
26	2	124465-44950	GASKET, 16	1	1						
27	2	129795-49551	GASKET	1	1						
28	2	129150-49811	GASKET, THERMOSTAT	1	1						
29	2	22190-120002	WASHER, SEAL 12	2	2						
30	2	129150-77511	GASKET	1	1						
31	2	23414-120000	GASKET, 12X1.0	2							
31-1	2	22190-120002 (A=E23368)	WASHER, SEAL 12	2	2						N
32	2	24311-000120	O-RING, 1AP12.0	3	3						
33	2	24321-000300	O-RING, 1AG30.0	1							
33-1	2	129486-42140 (A=E23368)	O-RING, G30	1	1						N
34	2	22190-160002	WASHER, SEAL 16	2	2						

Remarks
(1) OPTIONAL PART.

Fig.17. GASKET SET

17.GASKET SET



(A)=3TNE88-LAN
(B)=3TNE88-ELAN
(C)=

(D)=
(E)=
(F)=

No.	Lev.	Parts No.	Description	Q'ty						I	R
				(A)	(B)	(C)	(D)	(E)	(F)		
35	2	24321-000850	O-RING, 1AG85.0	1	1						
36	2	171353-26081	GASKET	1	1						
37	2	129150-49360	GASKET	1	1						
38	1	129400-92420	HONE	1	1						1
39	1	977770-01212	GASKET, LIQUID	1	1						1

Remarks
(1) OPTIONAL PART.

Parts No. Index

Parts No.	Fig. No.	Ref. No.
101304-59020	14	15
103854-39140	14	14
104200-55321	14	2
104200-55330	14	3
104200-55750	14	10
105425-01690	3	7
106500-44810	16	27
114250-39450	9	33 -1
114250-53080	13	5
114250-53120	13	9
114250-53130	13	10
114250-53140	13	11
114250-53210	13	12
114250-53400	13	13
119131-18320	6	5
119305-59120	13	20
119600-66720	12	83
119600-66840	12	75
119620-77461	16	21 L
119620-77471	16	21 M
119620-77490	16	21 Z
119620-79200	16	21 F
119620-79210	16	21 G
119620-79220	16	21 H
119620-79230	16	21 J
119620-79250	16	21 D
119620-79290	16	21 Q
119620-79300	16	21 R
119620-79310	16	21 S
119620-79320	16	21 T
119620-79330	16	21 U
119620-79340	16	21 V
119620-79350	16	21 W
119625-11870	4	21
	17	21
119625-11880	4	22
	17	22
119625-11900	4	23
119626-77210	16	1 -1
119626-77450	16	21 Y
119626-77710	16	21 X
119653-77950	12	79
119660-61901	12	57
119808-59570	13	31
119810-51040	11	5
119810-77340	16	26
119820-77340	16	23
119836-77200	16	1
119836-77700	16	2
119836-77710	16	4

Parts No.	Fig. No.	Ref. No.
119836-77721	16	5
119836-77730	16	6
119836-77741	16	7
119836-77750	16	8
119836-77760	16	9
119836-77770	16	10
119836-77780	16	11
119836-77790	16	15
119836-77800	16	16
119836-77810	16	19
119836-77820	16	20
119836-77830	16	21
119836-77840	16	17
119836-77850	16	3
119836-77860	16	18
119836-77871	16	12
119836-77880	16	13
119836-77890	16	14
119840-59500	13	29 A
119840-59560	13	30
119840-59570	13	31 -1
119865-21600	8	14
119908-61501	12	32 -1
120130-11860	4	7
120323-61470	12	82 A
121023-01550	2	23
121023-26070	7	18
121111-21501	8	11
121250-44901	10	1
121250-59550	13	29
121400-11340	4	18
	17	19
121450-01560	2	2
121520-34810	9	17
121550-23200	8	27
121850-21680	8	10
121850-51960	2	11
	17	8
122117-51560	11	48
122710-51090	11	8
124066-59100	13	28
		29 B
124101-49530	10	16
124160-01751	2	6
	4	52
124160-01910	1	4
124160-11360	4	51
124160-39140	9	28
124160-39450	9	33
124240-01871	2	15

Parts No.	Fig. No.	Ref. No.
124240-01871	7	31
124240-01883	2	8
	7	32
	17	2
124250-49351	10	33
124395-49840	10	20 -1
	17	16 -1
124460-11340	4	19
	17	20
124465-44950	10	30
	17	26
124550-01590	2	15 A
		16 B
124550-51350	11	30
124550-51370	11	31
124550-59820	9	34
124550-59830	9	33 A
124550-66370	12	59
124550-77030	15	36
124701-11911	6	7
	17	25
124736-07900	4	2
124950-51190	11	15
125301-79240	16	21 C
128401-77440	16	21 K
129001-01250	1	10 -1
129001-01340	1	24
	17	17
129001-02930	1	20
129001-12110	5	1
	17	23
129001-12120	5	2
129001-13100	6	1
129001-13110	6	2
	17	24
129001-21000	8	1
129001-21100	8	1 -1
129001-22070	8	15 A
129001-22081	8	15
129001-22500	8	17
129001-22901	8	30
129001-22930	8	30 A
129001-22950	8	32
129001-32001	9	1
129001-35300	9	24
129001-42002	10	2
129001-42003	10	2 -1
129001-42040	10	22
129001-91840	2	21
129001-91841	2	21 -1

Parts No.	Fig. No.	Ref. No.
129001-91870	3	10
129001-91910	3	11
129051-01600	3	2
129051-01700	3	4
129051-01721	3	5
129051-01780	3	6
129051-11700	4	4
129051-21580	8	12
129051-21660	8	8
129051-26200	7	21
129051-26210	7	23
129051-35090	9	19
129051-44760	10	28
129051-77330	16	25
129052-55620	14	1
129052-59710	13	25
129052-59711	13	25 -1
129052-59720	13	26
129052-59730	13	27
129052-59810	13	25 A
129052-59820	13	26 A
129052-59830	13	27 A
129052-61050	12	4
129052-61060	12	5
129052-61070	12	6
129052-61390	12	31
129052-61500	12	32
129052-61540	12	47
129052-77380	16	21 B
129052-79260	16	21 N
129052-79270	16	21 P
129052-79422	16	21 E
129100-01580	3	1
		16
	8	2
129100-01640	3	17
129100-11100	4	13
129100-11110	4	14
129100-11350	4	41
129100-11351	4	41 -1
129100-23910	8	26
129100-25061	7	8
129100-42020	10	14
	17	6
129100-49840	10	20
	17	16
129100-51300	11	25
129100-52100	11	93
129100-55650	14	4
129100-55670	14	6

Parts No. Index

Parts No.	Fig. No.	Ref. No.
129100-55680	14	7
129100-55690	14	8
129100-55700	14	9
129100-59951	13	33
129100-61400	12	17
129100-61440	12	76
129100-61650	12	77
129100-61930	12	80 A
129120-77501	5	5
129129-14580	7	3
129129-77010	15	1
129129-77210	15	6
129129-77220	15	7
129129-77230	15	8
129129-77240	15	9
129129-77250	15	10
129129-77260	15	21
129129-77270	15	22
129129-77280	15	23
129129-77290	15	24
129129-77300	15	25
129129-77310	15	27
129129-77320	15	28
129129-77330	15	29
129129-77340	15	30
129129-77350	15	31
129129-77362	15	32
129129-77380	15	34
129129-77390	15	14
129129-77400	15	17
129129-77410	15	18
129129-77420	15	19
129129-77430	15	20
129129-77460	15	3
129136-77251	16	22
129150-01200	1	23
129150-02020	1	6
129150-02450	7	4
129150-02870	1	28
129150-02930	1	17
129150-02940	1	25
129150-03020	4	48
129150-03070	4	44
129150-03080	4	45
129150-03090	4	1
129150-03100	2	10
129150-11230	4	32
129150-11280	4	27
129150-11290	4	28
129150-11310	4	47

Parts No.	Fig. No.	Ref. No.
129150-11310	17	18
129150-11370	4	20
129150-11750	4	34
129150-11810	4	9
129150-14101	7	6
129150-14200	7	1
129150-14400	7	2
129150-21200	8	4
129150-23600	8	28
129150-23610	8	36
129150-25101	7	9
129150-25301	7	33
129150-25900	7	14
129150-25920	7	12
129150-25931	7	34
129150-32020	9	14
	17	3
129150-35041	9	18
	17	4
129150-35101	9	21
129150-35111	9	22
	17	5
129150-35151	9	23
129150-35350	9	25
129150-39450	9	29
129150-49360	10	34
	17	37
129150-49811	10	19
	17	28
129150-59131	13	23
129150-59580	13	32
129150-77511	5	6
	17	30
129155-11241	4	24
129155-11260	4	25
129155-11270	4	26
129155-51020	11	4
129155-51050	11	6
129155-51060	11	7
129155-51140	11	12
129155-51180	11	14
129155-51200	11	16
129155-51270	11	23
129155-51280	11	24
	12	2
129155-51320	11	28
129155-51340	11	29
129155-51370	11	32
129155-51380	11	33
129155-51390	11	34

Parts No.	Fig. No.	Ref. No.
129155-51400	11	35
129155-51410	11	36
129155-51420	11	37
129155-51450	11	38
129155-51500	11	43
129155-51521	11	44
129155-51530	11	45
129155-51540	11	46
129155-51550	11	47
129155-51570	11	50
129155-51580	11	51
129155-51591	11	52
129155-51600	11	53
129155-51700	11	72
129155-51701	11	72 -1
129155-51710	11	73
129155-51711	11	73 -1
129155-51750	11	74
129155-51751	11	74 -1
129155-51760	11	75
129155-51790	11	76
129155-51930	11	78
129155-51940	11	79
129155-52050	11	92
129155-61120	12	7
129155-61130	12	8
129155-61140	12	9
129155-61201	12	10
129155-61202	12	10 -1
129155-61341	12	14
129155-61350	12	15
129155-61360	12	16
129155-61430	12	20
129155-61450	12	24
129155-61460	12	25
129155-61470	12	82
129155-61480	12	26
129155-61830	12	69
129155-61950	12	58
129156-51910	11	77
129171-51040	11	5 A
129202-22300	8	21
129208-51060	11	7 A
129208-54500	11	89 A
129209-51300	11	25 A
129209-53000	13	2 A
129354-44740	10	27
129400-92420	17	38
129457-34800	9	16
129470-51101	11	9

Parts No.	Fig. No.	Ref. No.
129486-01670	3	20
129486-42021	10	14 -1
	17	6 -1
129486-42140	10	23 -1
	17	33 -1
129486-61201	12	10 A
129486-61540	12	47 -1
129503-53000	13	2
129506-51100	11	9 A
129556-42350	10	26
129573-51330	11	28 A
129573-51340	11	29 A
129573-51370	11	32 A
129574-49800	10	18
129795-01780	3	19
129795-01800	2	5
129795-01900	16	22 -1
129795-01950	2	9
129795-02411	1	13
129795-11120	4	15
129795-11180	4	16
129795-21661	8	9
129795-49551	10	17
	17	27
158552-61900	12	67 -1
171051-01921	1	5
171056-49120	10	32
171353-01520	2	1
171353-01580	2	3
171353-26081	7	28
	17	36
171353-61710	12	78
174307-51170	11	13
174307-51560	11	49
174307-51700	12	33
22117-040000	12	60
22190-060003	12	61
22190-080002	2	12
		13
		16 A
		17 A
	9	34 A-1
		35 -2
	17	7
		9 -1
22190-080003	2	16 A-1
		17 A-1
	17	7 -1
22190-100002	9	36 -1
	12	62

Parts No. Index

Parts No.	Fig. No.	Ref. No.
22190-100002	17	10 -1
22190-120002	12	63
	13	41 -1
	14	16
	17	29
		31 -1
22190-160002	3	9
	11	88
	17	34
22217-050000	11	89
22217-060000	11	80
22217-120000	7	15
	11	89 C
22252-000260	8	22
22287-120000	12	64
22351-050010	11	81
22351-060012	4	39
22372-040000	12	65
22512-070140	7	7
	8	5
		7 -1
22512-070160	8	7
23414-080000	9	34 A
		35
		35 -1
	17	9
23414-100000	9	36
	17	10
23414-120000	13	41
	17	31
23871-010000	1	9
23871-030000	10	12
23876-010000	1	9 -1
23876-030000	10	12 -1
23887-100002	12	66
24101-063034	11	82
24105-060064	7	27
24311-000120	4	40
	17	32
24311-000160	2	14
	9	26
	14	11
	17	11
24311-000180	3	12
	17	14
24311-000320	2	7
	4	53
	17	15
24311-240100	14	12
24321-000300	10	23

Parts No.	Fig. No.	Ref. No.
24321-000300	17	33
24321-000650	14	13
24321-000850	7	19
	17	35
24341-000160	11	83
24341-000240	2	24
	17	13
24341-000280	12	67
24341-000500	4	49
	17	12
25132-003600	10	25
26014-060302	10	29
26014-080502	16	26 -1
26022-050102	11	84
26022-050122	11	84 -1
26022-060162	11	85
26106-060102	12	68
		70
		75 A
26106-060142	12	71
26106-060162	2	25
26106-060182	10	35 -1
26106-060202	12	72
26106-060222	10	35
26106-080102	9	37
26106-080122	2	16
26106-080142	4	3
	7	17
26106-080162	2	16 -1
	17	17
		18
	4	50
	7	30
	10	24
26106-080202	5	3
	9	27
26106-080252	3	13
		14
	4	36
	10	21
26106-080352	5	7
	9	20
26106-080402	3	15
	6	4
26106-080452	2	19
	7	13
26106-080502	4	37
	5	4
	16	28
26106-080552	2	20

Parts No.	Fig. No.	Ref. No.
26106-080602	10	15
26106-080652	10	31
26106-100452	7	20
26116-050302	11	86
26116-120202	15	35
26206-100202	3	3
26216-060202	4	11
26216-080402	6	6
26226-080182	4	35
26306-080002	16	24 -1
26306-100002	16	24 -2
26366-060002	4	38
26366-080002	2	22
	6	3
	12	81
	16	24
26450-060252	9	15
26450-080282	7	29
26687-120002	12	80
26716-060002	11	87
26716-120002	7	16
	11	89 D
26756-060002	12	73
26776-120002	12	74
27225-100140	1	31
27231-500000	1	10
27241-120000	1	11
27241-300000	1	12
27241-400000	4	12
27310-080001	4	17
729001-01560	1	1
729030-92630	17	1
729030-92631	17	1 -1
729051-51390	11	1
729051-51450	11	1 A
729132-11521	4	41 -2
729209-53100	13	1 A
729402-11650	4	31
729402-23100	8	23
729503-53100	13	1
977770-01212	2	26
	3	21
	17	39
X0280210230	15	11
X0283060061	15	2
X0283270140	15	12
X9490561001	16	21 A
X9490561370	15	4
X9491200240	15	5
X9491703371	15	13

Parts No.	Fig. No.	Ref. No.
X9491730461	15	26