

0CV10-M52100EN

P R E F A C E

1. This Parts Catalog carries all parts incorporated in YANMAR Model 3TNE88 - PG engine manufactured since May, 1997.
2. Each illustration corresponds to the parts list on the following page.
3. When ordering parts, clearly write down the engine model and serial number, as well as the name and number of each part in your order sheet. This will help insure reliable delivery of the parts you have ordered.

Directions for the Parts Catalog.

1. This Parts Catalog shows both standard and optional parts.
2. Parts may change without prior notice.
3. The following is an example of the Parts Catalog format.

| REF. | LEV. | PARTS NO. | DESCRIPTION | Q'TY | | | | | | I | R |
|------|------|--------------------------------------------------------|---------------------|------|-----|-----|-----|-----|-----|---|---|
| | | | | (A) | (B) | (C) | (D) | (E) | (F) | | |
| 1 | 1 | 729595-51390 | FUEL INJECTION PUMP | 1 | 1 | 1 | 1 | 1 | | | 1 |
| 1-1 | 1 | 729595-51391 | FUEL INJECTION PUMP | 1 | 1 | 1 | 1 | 1 | | N | 1 |
| | | (A=E00185) (B=E00200) | | | | | | | | | |
| 3 | 2 | 26022-060162 | SCREW M 6X 16 | 9 | 9 | 9 | 9 | 9 | | | |
| 3-1 | 2 | 26022-060162 | SCREW M 6X 16 | 4 | 4 | 4 | 4 | 4 | | K | |
| | | (A=E00156) (B=E00156) (C=E00156) (D=E00156) (E=E00156) | | | | | | | | | |
| 4 | 2 | 129470-51040 | CAMSHAFT | 1 | 1 | 1 | 1 | 1 | | | |
| 5 | 2 | 122710-51050 | BEARING, ROLLER | 2 | 2 | 2 | 2 | 2 | | | |
| 6 | 2 | 129470-51060 | RETAINER | 1 | 1 | 1 | 1 | 1 | | | |

| |
|-----------------------------------------------------------------------|
| Remarks |
| (1) BOOST COMPEMSATOR TYPE. OPTIONAL PART, TO E00155,(4JH-DT, 4JH-DTZ |

① Ref. No.

The Ref. No. listed may not be in accordance with the illustration Ref. No.

(Ex.) Illustration No.

List Ref No.

1

1

(Before change)

1-1

(After change)

For interchangeable symbols N, R and K, illustrations for new parts may be abbreviated.

② Lev. (Level)

Level indication

The numbers below indicate the level of relativity towards the main part.

1 ----- Main parts (Assembly parts)

2 ----- Sub component included in " 1 ".

3 ----- Sub component included in " 2 ".

Note) Parts that are not for sale are partially illustrated but not listed.

③ Interchangeability Symbol

When a part change takes place, one of the following interchangeability symbols is indicated beside the part.

| Symbol | Interchangeability | Contents note |
|--------|---------------------------------------------------------------------------------------|--------------------------------------------------------------------------------------------|
| N | Old $\begin{matrix} \leftarrow \text{Yes} \\ \text{No} \rightarrow \end{matrix}$ New | New Part is interchangeable for Old Part but Old Part is not interchangeable for New Part. |
| Q | Old $\begin{matrix} \leftarrow \text{No} \\ \text{Yes} \rightarrow \end{matrix}$ New | New Part is not interchangeable for Old Part but Old Part is interchangeable for New Part. |
| R | Old $\begin{matrix} \leftarrow \text{Yes} \\ \text{Yes} \rightarrow \end{matrix}$ New | New/ Old Parts are both interchangeable. |
| S | Old $\begin{matrix} \leftarrow \text{No} \\ \text{No} \rightarrow \end{matrix}$ New | New/ Old Parts are both not interchangeable. |
| W | | Part newly added. |
| Z | | Part discontinued. |
| F | | Not interchangeable by a single part but interchangeable together with related parts. |
| K | | Changes only for used parts quantities. |

④ Effective Machine No.

When a part changes, the effective Machine No. will be indicated in the (A)-(F) column.

| Product Symbol | Product No. | Product Symbol | Product No. |
|----------------|---------------------------|----------------|-----------------------------------|
| C | Clutch No. Compressor No. | F | Machine No. (Agricultural Equip.) |
| D | Drive No. | M | Machine No. |
| E | Engine No. | | |

Note 1) A date may follow the symbol. (Ex.) 1996.01

Note 2) "XXXXX" and "ZZZZZ" are for parts that could not be predicted or for engine models that could not be identified.

Note 3) (A=E00185) is the E (Engine Serial Number) for the column (A) model (in this case 4JH-DT) after the parts design change.

⑤ Remarks

Figures or alphabets (symbols) are entered in the remarks column.

The comments (remarks) on parts that are indicated at the bottom of the illustration are the same symbols as those stated above.

Contents

0CV10-M52100

Fig. No. Fig. Name

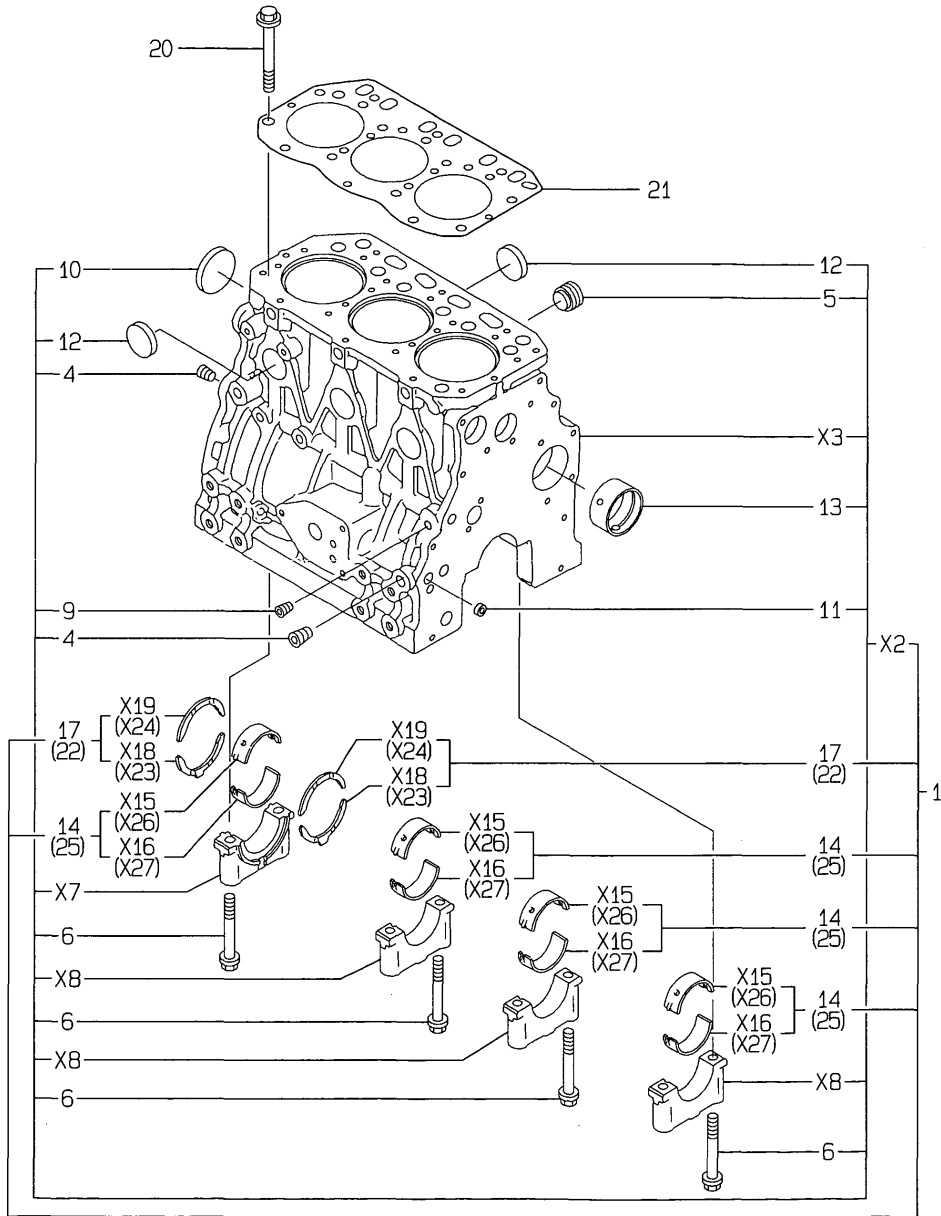
3TNE88-PG

1. CYLINDER BLOCK
2. GEAR HOUSING
3. FLYWHEEL HOUSING & OIL SUMP
4. CYLINDER HEAD & BONNET
5. SUCTION MANIFOLD
6. EXHAUST MANIFOLD
7. CAMSHAFT & DRIVING GEAR
8. CRANKSHAFT & PISTON
9. LUB.OIL SYSTEM
10. COOLING WATER SYSTEM
11. RADIATOR
12. FUEL INJECTION PUMP
13. GOVERNOR
14. FUEL INJECTION VALVE
15. FUEL LINE
16. STARTING MOTOR
17. GENERATOR
18. GASKET SET

Fig. No. Fig. Name

Fig.1. CYLINDER BLOCK

1. CYLINDER BLOCK



(A)=3TNE88-PG
(B)=
(C)=

(D)=
(E)=
(F)=

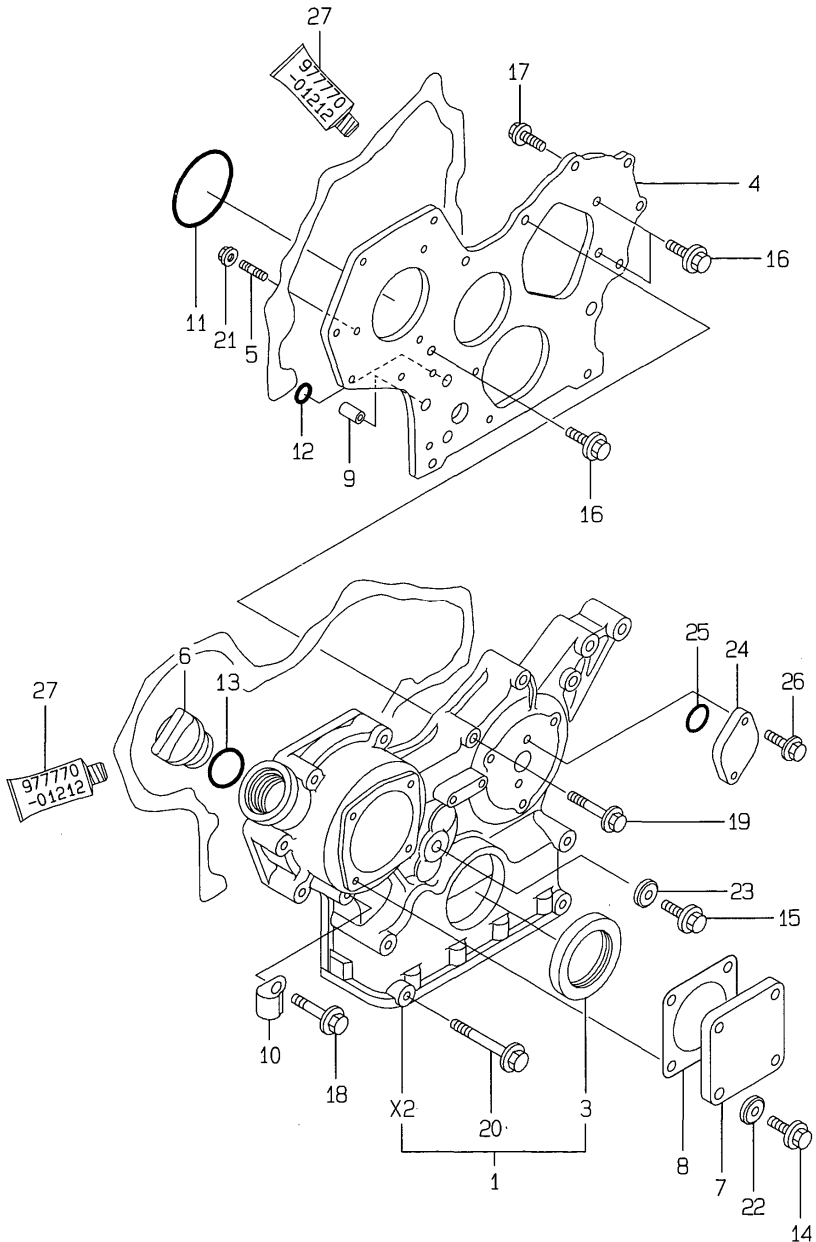
| No. | Lev. | Parts No. | Description | Q'ty | | | | | | I | R |
|-----|------|--------------|----------------------|------|-----|-----|-----|-----|-----|---|---|
| | | | | (A) | (B) | (C) | (D) | (E) | (F) | | |
| 1 | 1 | 729001-01560 | BLOCK ASSY, CYLINDER | 1 | | | | | | | |
| 4 | 3 | 124160-01910 | PLUG, PT1/4 | 3 | | | | | | | |
| 5 | 3 | 171051-01921 | PLUG, NPTF1 | 1 | | | | | | | |
| 6 | 3 | 129150-02020 | BOLT, METAL CAP | 8 | | | | | | | |
| 9 | 3 | 23871-010000 | PLUG, R01 | 1 | | | | | | | |
| 10 | 3 | 27231-500000 | PLUG 50 | 1 | | | | | | | |
| 11 | 3 | 27241-120000 | PLUG, 12 | 2 | | | | | | | |
| 12 | 3 | 27241-300000 | PLUG 30 | 6 | | | | | | | |
| 13 | 3 | 129795-02411 | BUSH, CAMSHAFT | 1 | | | | | | | |
| 14 | 2 | 129001-02800 | BEARING, MAIN | 4 | | | | | | | |
| 17 | 2 | 129150-02930 | BEARING, THRUST | 2 | | | | | | | |
| 20 | 1 | 129150-01200 | BOLT, HEAD | 14 | | | | | | | |
| 21 | 1 | 129001-01340 | GASKET, HEAD | 1 | | | | | | | |
| 22 | 1 | 129150-02940 | BEARING, THRUST 0.25 | 2 | | | | | | | 1 |
| 25 | 1 | 129150-02870 | BEARING, 0.25 US | 4 | | | | | | | 2 |

Remarks

- (1) OVER-SIZE(O.S=0.25)PART.
- (2) UNDER-SIZE(U.S=0.25)PART.

Fig.2. GEAR HOUSING

2. GEAR HOUSING



(A)=3TNE88-PG
(B)=
(C)=

(D)=
(E)=
(F)=

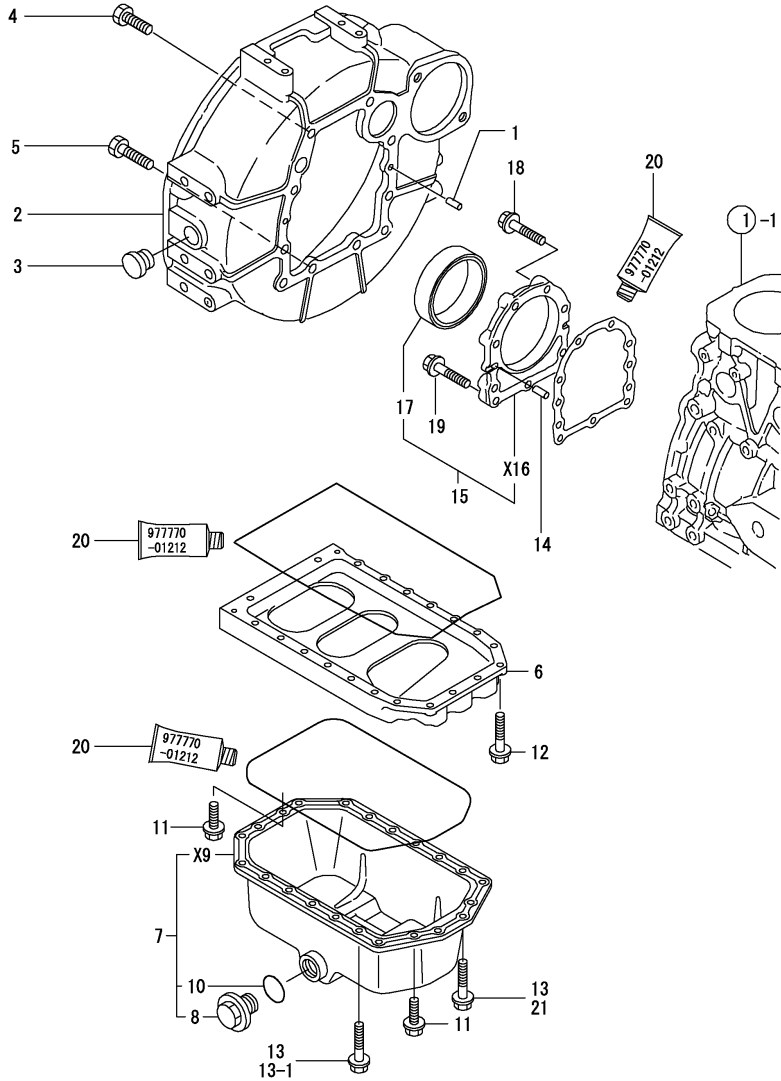
| No. | Lev. | Parts No. | Description | Q'ty | | | | | | I | R |
|------------|------|--------------|---------------------|------|-----|-----|-----|-----|-----|---|---|
| | | | | (A) | (B) | (C) | (D) | (E) | (F) | | |
| 1 | 1 | 719810-01500 | CASE ASSY, GEAR | 1 | | | | | | | |
| 3 | 2 | 129795-01800 | SEAL, OIL | 1 | | | | | | | |
| 4 | 1 | 129400-01520 | FLANGE, GEAR CASE | 1 | | | | | | | |
| 5 | 1 | 121450-01560 | STUD, M8X22 | 3 | | | | | | | |
| 6 | 1 | 124160-01751 | COVER, FILLER | 1 | | | | | | | |
| 7 | 1 | 124240-01871 | COVER | 1 | | | | | | | |
| 8 | 1 | 124240-01883 | GASKET | 1 | | | | | | | |
| 9 | 1 | 129795-01950 | PIPE, KNOCK L=18 | 2 | | | | | | | |
| 10 | 1 | 129150-03100 | RETAINER, PIPE | 1 | | | | | | | |
| 11 | 1 | 121850-51960 | O-RING | 1 | | | | | | | |
| 12 | 1 | 24311-000160 | O-RING, 1AP16.0 | 2 | | | | | | | |
| 13 | 1 | 24311-000320 | O-RING, 1AP32.0 | 1 | | | | | | | |
| 14 | 1 | 26106-080122 | BOLT, M8X 12 PLATED | 4 | | | | | | | |
| 15 | 1 | 26106-080162 | BOLT, M8X 16 PLATED | 1 | | | | | | | |
| 16 | 1 | 26106-080162 | BOLT, M8X 16 PLATED | 3 | | | | | | | |
| 17 | 1 | 26106-080202 | BOLT, M8X 20 PLATED | 2 | | | | | | | |
| 18 | 1 | 26106-080452 | BOLT, M8X 45 PLATED | 6 | | | | | | | |
| 19 | 1 | 26106-080552 | BOLT, M8X 55 PLATED | 3 | | | | | | | |
| 20 | 1 | 26106-080852 | BOLT, M8X 85 PLATED | 4 | | | | | | | |
| 20-1 | 1 | 129001-91840 | BOLT, M8X85 | 4 | | | | | | | R |
| (A=E16633) | | | | | | | | | | | |
| 21 | 1 | 26366-080002 | NUT, M8 | 3 | | | | | | | |
| 22 | 1 | 22190-080002 | WASHER, SEAL 6 | 4 | | | | | | | |
| 23 | 1 | 22190-080002 | WASHER, SEAL 6 | 1 | | | | | | | |
| 24 | 1 | 121023-01550 | COVER | 1 | | | | | | | |
| 25 | 1 | 24341-000240 | O-RING, 1AS24.0 | 1 | | | | | | | |
| 26 | 1 | 26106-060162 | BOLT, M6X 16 PLATED | 2 | | | | | | | |
| 27 | 1 | 977770-01212 | GASKET, LIQUID | 1 | | | | | | | 1 |

Remarks
(1) OPTIONAL PART.

Fig.3. FLYWHEEL HOUSING & OIL SUMP

(A)=3TNE88-PG
(B)=
(C)=

(D)=
(E)=
(F)=



| No. | Lev. | Parts No. | Description | Q'ty | | | | | | I | R |
|--------------|------|--------------|----------------------|------|-----|-----|-----|-----|-----|---|---|
| | | | | (A) | (B) | (C) | (D) | (E) | (F) | | |
| 1 | 1 | 129100-01580 | PIN, M8X16 | 2 | | | | | | | |
| 2 | 1 | 171420-01600 | HOUSING, FLYWHEEL | 1 | | | | | | | |
| 3 | 1 | 119620-01750 | CAP | 1 | | | | | | | |
| 4 | 1 | 26206-100252 | BOLT, M10X 25 PLATED | 6 | | | | | | | |
| 5 | 1 | 26206-100302 | BOLT, M10X 30 PLATED | 4 | | | | | | | |
| 6 | 1 | 129100-01730 | SPACER, OIL SUMP | 1 | | | | | | | |
| 7 | 1 | 129100-01760 | SUMP ASSY, OIL | 1 | | | | | | | |
| 8 | 2 | 171301-01640 | PLUG, 22 | 1 | | | | | | | |
| 10 | 2 | 24341-000250 | O-RING, 1AS25.0 | 1 | | | | | | | |
| 11 | 1 | 26106-080162 | BOLT, M8X 16 PLATED | 4 | | | | | | | |
| 12 | 1 | 26106-080252 | BOLT, M8X 25 PLATED | 2 | | | | | | | |
| 13 | 1 | 26106-080452 | BOLT, M8X 45 PLATED | 20 | | | | | | | |
| 13-1 | 1 | 26106-080452 | BOLT, M8X 45 PLATED | 16 | | | | | | | K |
| (A=FROM 1ST) | | | | | | | | | | | |
| 14 | 1 | 129100-01580 | PIN, M8X16 | 2 | | | | | | | |
| 15 | 1 | 129100-01640 | CASE ASSY, OIL SEAL | 1 | | | | | | | |
| 17 | 2 | 129795-01780 | SEAL, OIL | 1 | | | | | | | |
| 18 | 1 | 129486-01670 | BOLT, M8X30 | 6 | | | | | | | |
| 19 | 1 | 26106-080352 | BOLT, M8X 35 PLATED | 3 | | | | | | | |
| 20 | 1 | 977770-01212 | GASKET, LIQUID | 1 | | | | | | | 1 |
| 21 | 1 | 26106-080502 | BOLT, M8X 50 PLATED | 4 | | | | | | | W |
| (A=FROM 1ST) | | | | | | | | | | | |

X-MARK PARTS: NOT SOLD SEPARATELY.

Remarks
(1) OPTIONAL PART.

Fig.4. CYLINDER HEAD & BONNET

(A)=3TNE88-PG

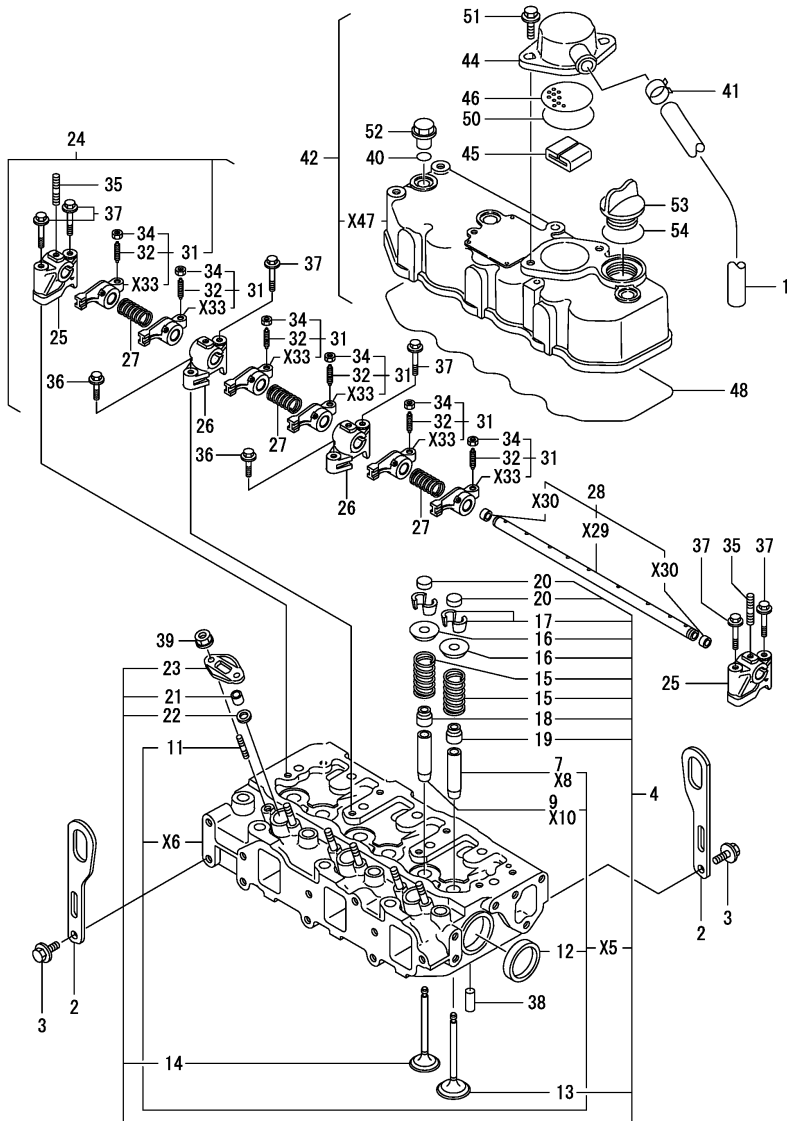
(B)=

(C)=

(D)=

(E)=

(F)=



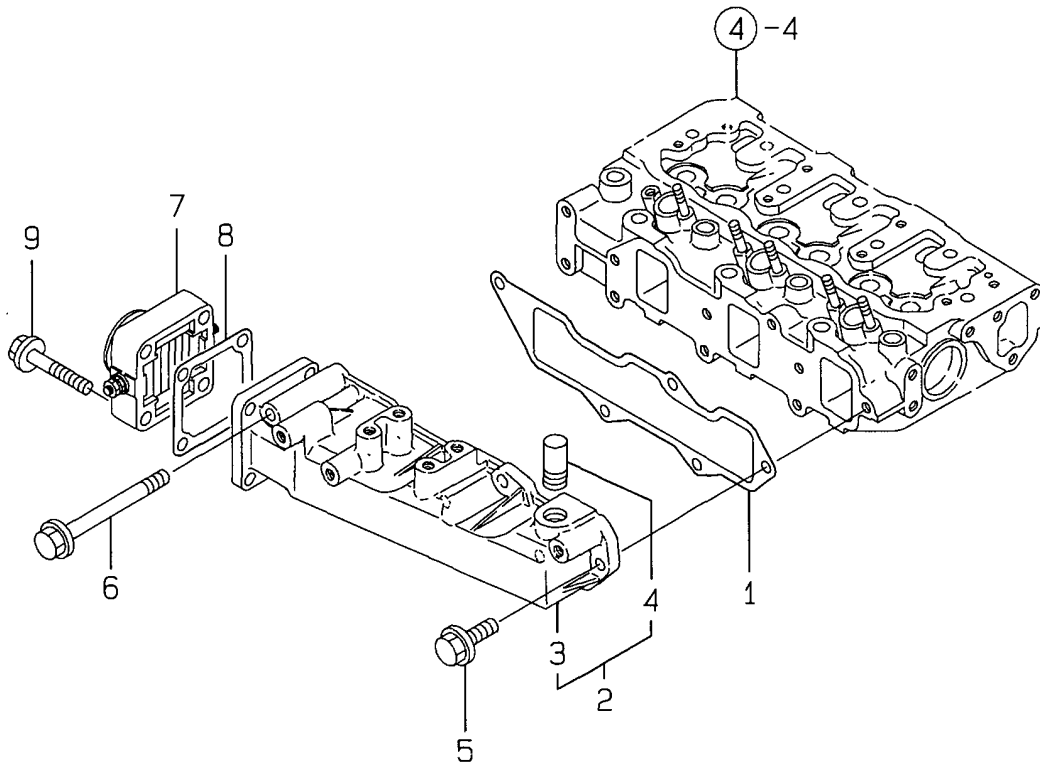
X-MARK PARTS : NOT SOLD SEPARATELY.

| No. | Lev. | Parts No. | Description | Q'ty | | | | | | I | R |
|-----|------|--------------|---------------------|------|-----|-----|-----|-----|-----|---|---|
| | | | | (A) | (B) | (C) | (D) | (E) | (F) | | |
| 1 | 1 | 129219-03100 | PIPE , BREATHER | 1 | | | | | | | |
| 2 | 1 | 124736-07900 | LIFTER | 2 | | | | | | | |
| 3 | 1 | 26106-080142 | BOLT, M8X 14 PLATED | 4 | | | | | | | |
| 4 | 1 | 129001-11700 | HEAD ASSY, CYLINDER | 1 | | | | | | | |
| 7 | 3 | 120130-11860 | GUIDE, VALVE | 3 | | | | | | | 1 |
| 9 | 3 | 129150-11810 | GUIDE, VALVE | 3 | | | | | | | 1 |
| 11 | 3 | 26216-060202 | STUD, M6X 20 | 6 | | | | | | | |
| 12 | 3 | 27241-400000 | PLUG, 40 | 2 | | | | | | | |
| 13 | 2 | 129100-11100 | VALVE, INTAKE | 3 | | | | | | | |
| 14 | 2 | 129100-11110 | VALVE, EXHAUST | 3 | | | | | | | |
| 15 | 2 | 129795-11120 | SPRING, VALVE | 6 | | | | | | | |
| 16 | 2 | 129795-11180 | RETAINER, SPRING | 6 | | | | | | | |
| 17 | 2 | 27310-080001 | COTTER, 8 | 6 | | | | | | | |
| 18 | 2 | 121400-11340 | SEAL, VALVE STEM | 3 | | | | | | | |
| 19 | 2 | 124460-11340 | SEAL, VALVE STEM | 3 | | | | | | | |
| 20 | 2 | 129150-11370 | CAP, VALVE | 6 | | | | | | | |
| 21 | 2 | 119625-11870 | PROTECTOR, NOZZLE | 3 | | | | | | | |
| 22 | 2 | 119625-11880 | SEAT, NOZZLE | 3 | | | | | | | |
| 23 | 2 | 119625-11900 | RETAINER, NOZZLE | 3 | | | | | | | |
| 24 | 1 | 129100-11240 | SHAFT ASSY, ROCKER | 1 | | | | | | | |
| 25 | 2 | 129155-11260 | SUPPORT, ROCKER ARM | 2 | | | | | | | |
| 26 | 2 | 129155-11270 | SUPPORT, ROCKER ARM | 2 | | | | | | | |
| 27 | 2 | 129150-11280 | SPRING | 3 | | | | | | | |
| 28 | 2 | 129150-11290 | SHAFT, ROCKER ARM | 1 | | | | | | | |
| 31 | 2 | 129100-11650 | ARM, ROCKER | 6 | | | | | | | |
| 32 | 3 | 129150-11230 | SCREW, VALVE ADJUST | 6 | | | | | | | |
| 34 | 3 | 129150-11750 | NUT, M8 | 6 | | | | | | | |
| 35 | 2 | 26226-080182 | STUD, M8X 18 | 3 | | | | | | | |
| 36 | 1 | 26106-080252 | BOLT, M8X 25 PLATED | 2 | | | | | | | |
| 37 | 1 | 26106-080502 | BOLT, M8X 50 PLATED | 6 | | | | | | | |
| 38 | 1 | 22351-060012 | PIN, SPRING 6.0X12 | 2 | | | | | | | |
| 39 | 1 | 26366-060002 | NUT, M6 | 6 | | | | | | | |
| 40 | 1 | 24311-000120 | O-RING, 1AP12.0 | 3 | | | | | | | |
| 41 | 1 | 129410-03990 | CLIP | 2 | | | | | | | |
| 42 | 1 | 129100-11350 | BONNET ASSY, HEAD | 1 | | | | | | | |
| 44 | 2 | 129150-03020 | COVER, BREATHER | 1 | | | | | | | |
| 45 | 2 | 129150-03070 | BAFFLE, BREATHER | 1 | | | | | | | |
| 46 | 2 | 129150-03080 | PLATE, BAFFLE | 1 | | | | | | | |
| 48 | 2 | 129150-11310 | GASKET, BONNET | 1 | | | | | | | |
| 50 | 2 | 24341-000500 | O-RING, 1AS50.0 | 1 | | | | | | | |
| 51 | 2 | 26106-080162 | BOLT, M8X 16 PLATED | 2 | | | | | | | |
| 52 | 1 | 124160-11360 | KNOB | 3 | | | | | | | |
| 53 | 1 | 124160-01751 | COVER, FILLER | 1 | | | | | | | |
| 54 | 1 | 24311-000320 | O-RING, 1AP32.0 | 1 | | | | | | | |

Remarks
(1) REPAIR PART.

Fig.5. SUCTION MANIFOLD

5. SUCTION MANIFOLD



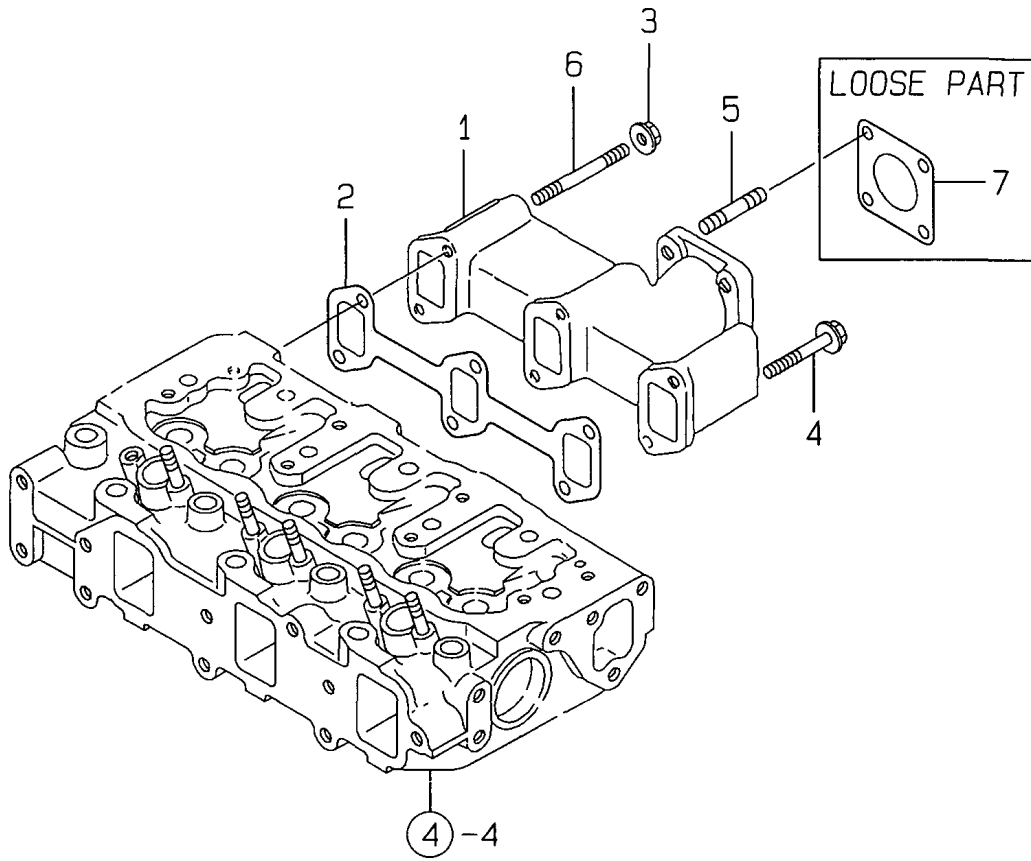
(A)=3TNE88-PG
(B)=
(C)=

(D)=
(E)=
(F)=

| No. | Lev. | Parts No. | Description | Q'ty | | | | | | I | R |
|-----|------|--------------|----------------------|------|-----|-----|-----|-----|-----|---|---|
| | | | | (A) | (B) | (C) | (D) | (E) | (F) | | |
| 1 | 1 | 129001-12110 | GASKET, MANIFOLD | 1 | | | | | | | |
| 2 | 1 | 129219-12700 | MANIFOLD ASSY,INTAKE | 1 | | | | | | | |
| 3 | 2 | 129219-12100 | MANIFOLD, AIR INTAKE | 1 | | | | | | | |
| 4 | 2 | 104407-44480 | JOINT | 1 | | | | | | | |
| 5 | 1 | 26106-080202 | BOLT, M8X 20 PLATED | 4 | | | | | | | |
| 6 | 1 | 26106-080802 | BOLT, M8X 80 PLATED | 1 | | | | | | | |
| 7 | 1 | 129120-77501 | HEATER | 1 | | | | | | | |
| 8 | 1 | 129150-77511 | GASKET | 1 | | | | | | | |
| 9 | 1 | 26106-080352 | BOLT, M8X 35 PLATED | 4 | | | | | | | |

Fig.6. EXHAUST MANIFOLD

6. EXHAUST MANIFOLD



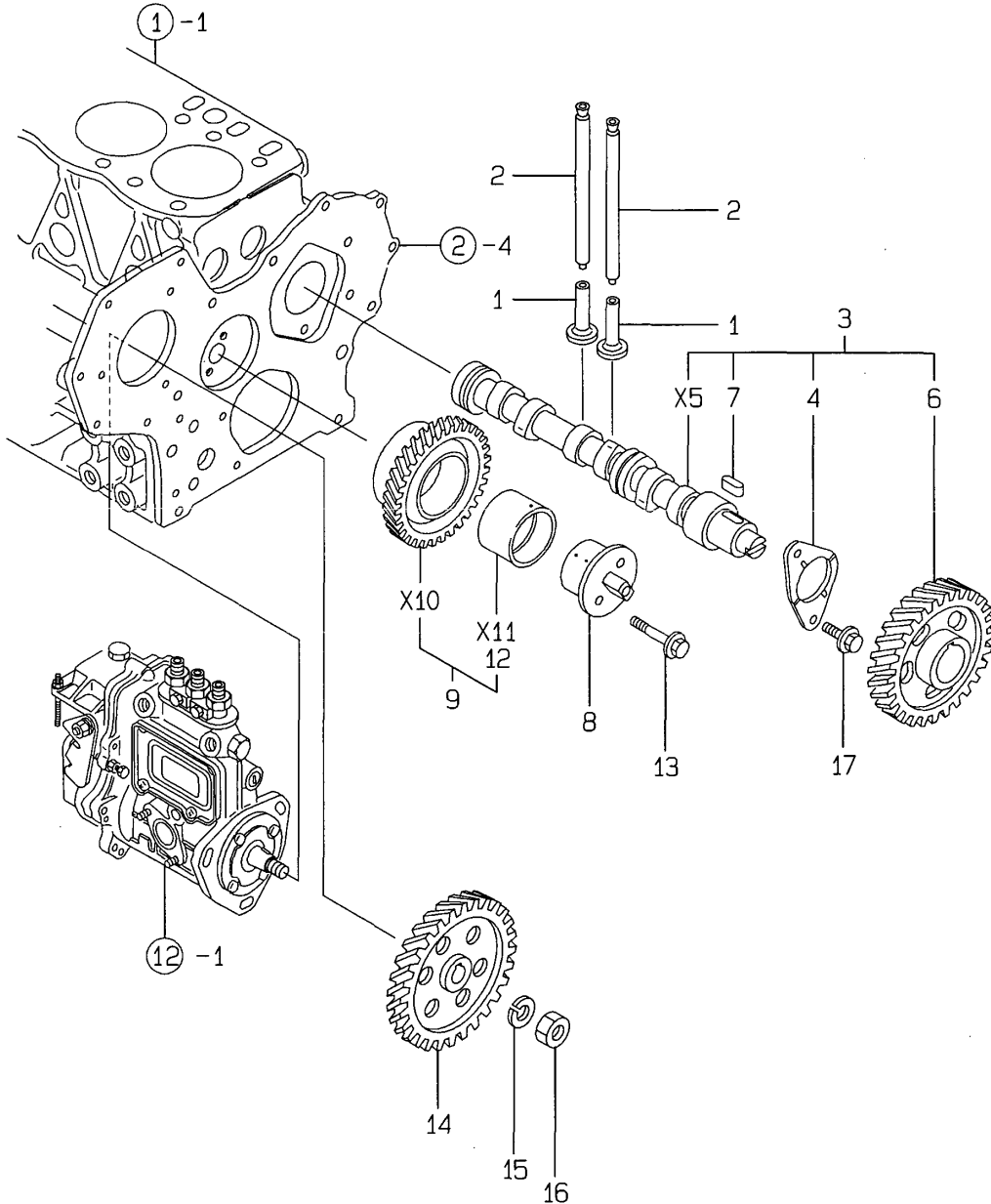
(A)=3TNE88-PG
(B)=
(C)=

(D)=
(E)=
(F)=

| No. | Lev. | Parts No. | Description | Q'ty | | | | | | I | R |
|------------|------|--------------|---------------------|------|-----|-----|-----|-----|-----|---|---|
| | | | | (A) | (B) | (C) | (D) | (E) | (F) | | |
| 1 | 1 | 129100-13110 | MANIFOLD, EXHAUST | 1 | | | | | | | |
| 2 | 1 | 129150-13110 | GASKET | 1 | | | | | | | |
| 3 | 1 | 26366-080002 | NUT, M8 | 2 | | | | | | | |
| 4 | 1 | 26106-080802 | BOLT, M8X 80 PLATED | 4 | | | | | | | |
| 5 | 1 | 26216-080222 | STUD, M8X 22 | 4 | | | | | | | |
| 5-1 | 1 | 119131-18320 | STUD, M8X22 | 4 | | | | | | | N |
| (A=E16026) | | | | | | | | | | | |
| 6 | 1 | 26216-080802 | STUD, M8X 80 | 2 | | | | | | | |
| 7 | 1 | 124701-11911 | GASKET, SILENCER | 1 | | | | | | | |

Fig.7. CAMSHAFT & DRIVING GEAR

7. CAMSHAFT & DRIVING GEAR



(A)=3TNE88-PG
(B)=
(C)=

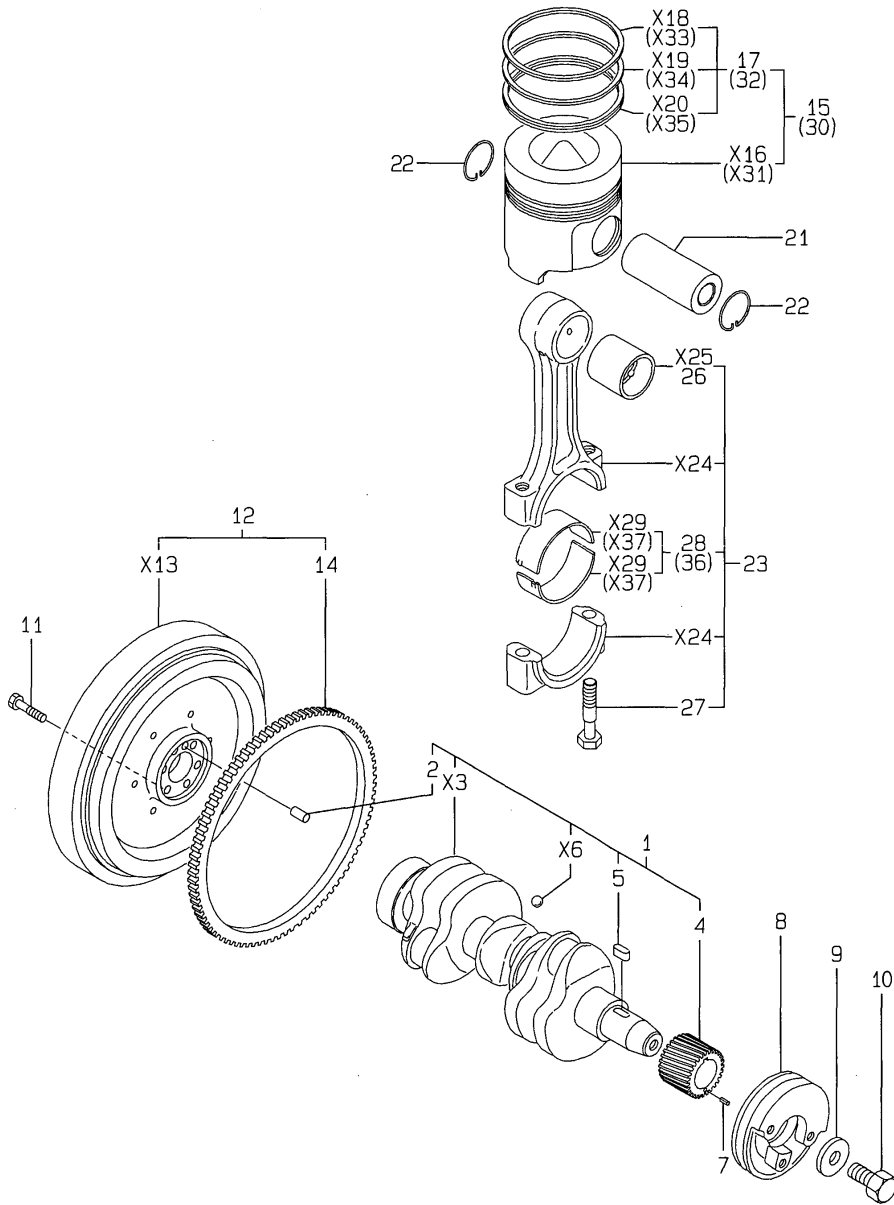
(D)=
(E)=
(F)=

| No. | Lev. | Parts No. | Description | Q'ty | | | | | | I | R |
|-----|------|--------------|---------------------|------|-----|-----|-----|-----|-----|---|---|
| | | | | (A) | (B) | (C) | (D) | (E) | (F) | | |
| 1 | 1 | 129150-14200 | TAPPET | 6 | | | | | | | |
| 2 | 1 | 129150-14400 | ROD, PUSH L=178 | 6 | | | | | | | |
| 3 | 1 | 129129-14580 | CAMSHAFT ASSY | 1 | | | | | | | |
| 4 | 2 | 129150-02450 | BEARING, THRUST | 1 | | | | | | | |
| 6 | 2 | 129150-14101 | GEAR, CAMSHAFT | 1 | | | | | | | |
| 7 | 2 | 22512-070140 | KEY, 7X 14 | 1 | | | | | | | |
| 8 | 1 | 129100-25061 | SHAFT, IDLE | 1 | | | | | | | |
| 9 | 1 | 129150-25101 | GEAR ASSY, IDLE | 1 | | | | | | | |
| 12 | 2 | 129150-25920 | BUSH, IDLE GEAR | 1 | | | | | | | 1 |
| 13 | 1 | 26106-080452 | BOLT, M8X 45 PLATED | 2 | | | | | | | |
| 14 | 1 | 129150-25900 | GEAR, PUMP | 1 | | | | | | | |
| 15 | 1 | 22217-120000 | WASHER, SPRING 12 | 1 | | | | | | | |
| 16 | 1 | 26716-120002 | NUT, M12 | 1 | | | | | | | |
| 17 | 1 | 26106-080142 | BOLT, M8X 14 PLATED | 2 | | | | | | | |

Remarks
(1) REPAIR PART.

Fig.8. CRANKSHAFT & PISTON

8. CRANKSHAFT & PISTON



(A)=3TNE88-PG
(B)=
(C)=

(D)=
(E)=
(F)=

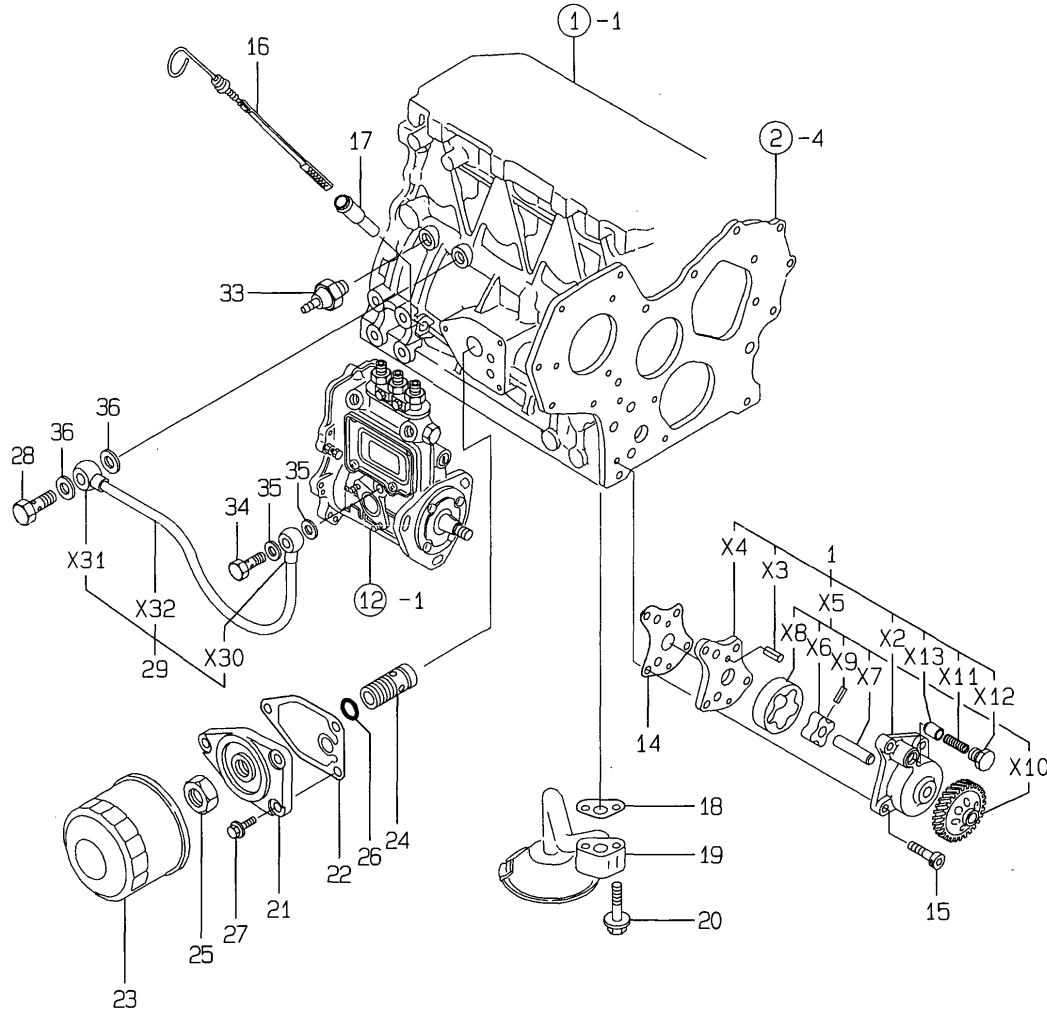
| No. | Lev. | Parts No. | Description | Q'ty | | | | | | I | R |
|-----|------|--------------|----------------------|------|-----|-----|-----|-----|-----|---|---|
| | | | | (A) | (B) | (C) | (D) | (E) | (F) | | |
| 1 | 1 | 129001-21000 | CRANKSHAFT ASSY | 1 | | | | | | | |
| 2 | 2 | 129100-01580 | PIN, M8X16 | 1 | | | | | | | |
| 4 | 2 | 129150-21200 | GEAR, CRANKSHAFT | 1 | | | | | | | |
| 5 | 2 | 22512-070140 | KEY, 7X 14 | 1 | | | | | | | |
| 7 | 1 | 22351-040010 | PIN, SPRING 4.0X10 | 1 | | | | | | | |
| 8 | 1 | 129150-21650 | V-PULLEY | 1 | | | | | | | |
| 9 | 1 | 129795-21661 | WASHER | 1 | | | | | | | |
| 10 | 1 | 121850-21680 | BOLT | 1 | | | | | | | |
| 11 | 1 | 121111-21501 | BOLT, FLYWHEEL | 6 | | | | | | | |
| 12 | 1 | 171340-21590 | FLYWHEEL ASSY | 1 | | | | | | | |
| 14 | 2 | 124550-21600 | GEAR, RING | 1 | | | | | | | |
| 15 | 1 | 129001-22081 | PISTON ASSY | 3 | | | | | | | |
| 17 | 2 | 129001-22500 | RING SET, PISTON | 3 | | | | | | | |
| 21 | 1 | 129202-22300 | PIN, PISTON D26 L70 | 3 | | | | | | | |
| 22 | 1 | 22252-000260 | RING, 26 | 6 | | | | | | | |
| 23 | 1 | 729402-23100 | ROD ASSY, CONNECTING | 3 | | | | | | | |
| 26 | 2 | 129100-23910 | BEARING, PISTON PIN | 3 | | | | | | | 1 |
| 27 | 2 | 121550-23200 | BOLT, CONNECTING ROD | 6 | | | | | | | |
| 28 | 2 | 129150-23600 | BEARING, CRANK PIN | 3 | | | | | | | |
| 30 | 1 | 129001-22901 | PISTON ASSY, 0.25 OS | 3 | | | | | | | 2 |
| 32 | 2 | 129001-22950 | RING SET, 0.25 OS | 3 | | | | | | | 2 |
| 36 | 1 | 129150-23610 | BEARING, 0.25 US | 3 | | | | | | | 3 |

Remarks

- (1) REPAIR PART.
- (2) OVER-SIZE(O.S=0.25)PART.
- (3) UNDER-SIZE(U.S=0.25)PART.

Fig.9. LUB.OIL SYSTEM

9.LUB.OIL SYSTEM



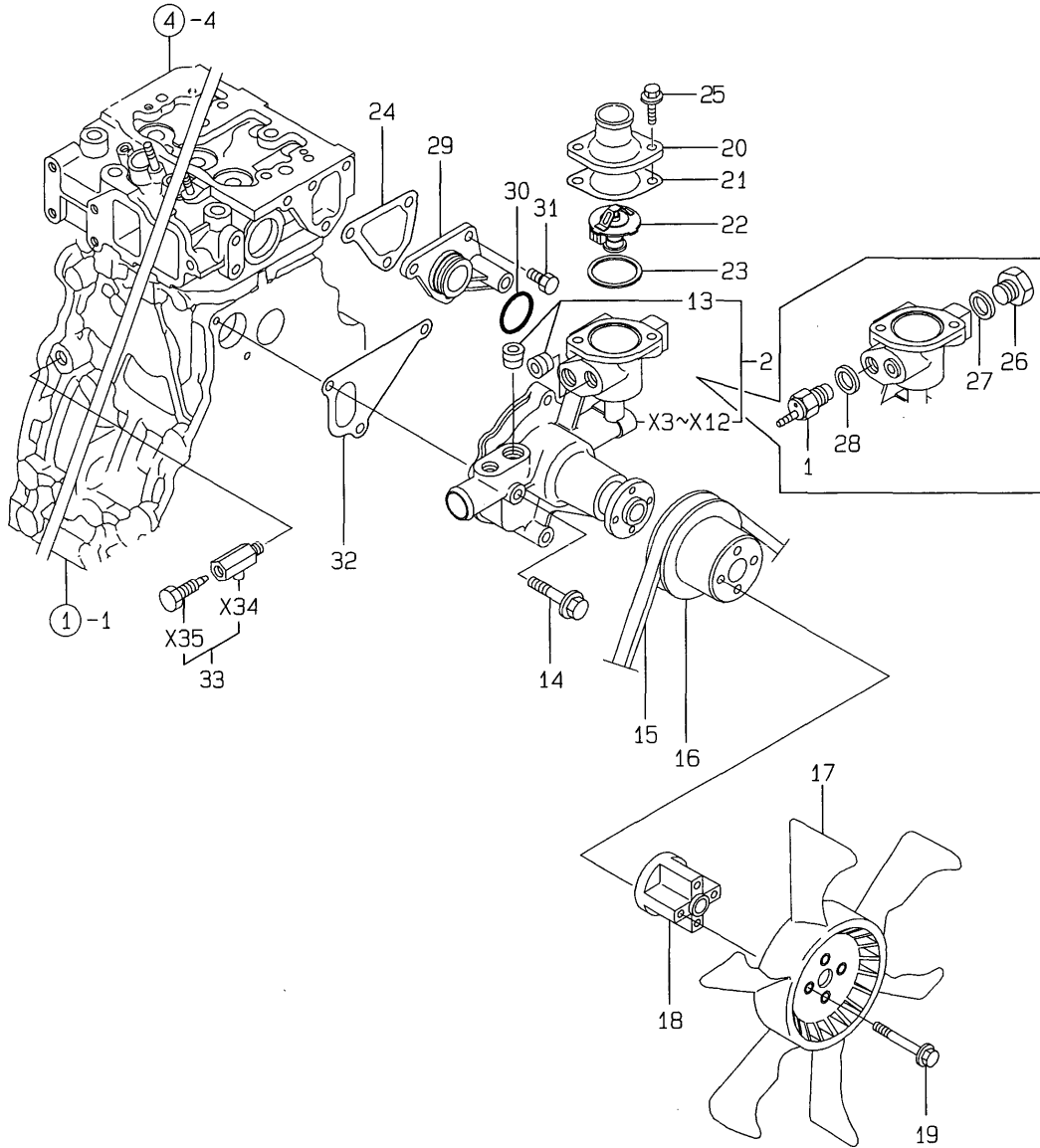
(A)=3TNE88-PG
(B)=
(C)=

(D)=
(E)=
(F)=

| No. | Lev. | Parts No. | Description | Q'ty | | | | | | I | R |
|-----|------|--------------|----------------------|------|-----|-----|-----|-----|-----|---|---|
| | | | | (A) | (B) | (C) | (D) | (E) | (F) | | |
| 1 | 1 | 129001-32001 | PUMP ASSY, OIL | 1 | | | | | | | |
| 14 | 1 | 129150-32020 | GASKET, PUMP | 1 | | | | | | | |
| 15 | 1 | 26450-060252 | BOLT, M6X 25 | 4 | | | | | | | |
| 16 | 1 | 171420-34820 | DIPSTICK, OIL | 1 | | | | | | | |
| 17 | 1 | 121520-34810 | GUIDE, DIPSTICK | 1 | | | | | | | |
| 18 | 1 | 129150-35041 | GASKET | 1 | | | | | | | |
| 19 | 1 | 129100-35301 | PIPE ASSY, OIL INLET | 1 | | | | | | | |
| 20 | 1 | 26106-080352 | BOLT, M8X 35 PLATED | 2 | | | | | | | |
| 21 | 1 | 129150-35101 | BRACKET, STRAINER | 1 | | | | | | | |
| 22 | 1 | 129150-35111 | GASKET | 1 | | | | | | | |
| 23 | 1 | 129150-35151 | FILTER, D80XL80 | 1 | | | | | | | |
| 24 | 1 | 129001-35300 | BOLT, FILTER | 1 | | | | | | | |
| 25 | 1 | 129150-35350 | NUT | 1 | | | | | | | |
| 26 | 1 | 24311-000160 | O-RING, 1AP16.0 | 1 | | | | | | | |
| 27 | 1 | 26106-080202 | BOLT, M8X 20 PLATED | 3 | | | | | | | |
| 28 | 1 | 124160-39140 | BOLT, PIPE JOINT M10 | 1 | | | | | | | |
| 29 | 1 | 129150-39450 | PIPE ASSY, OIL | 1 | | | | | | | |
| 33 | 1 | 124160-39450 | SWITCH, 0.5KG | 1 | | | | | | | |
| 34 | 1 | 124550-59820 | BOLT, PIPE JOINT M8 | 1 | | | | | | | |
| 35 | 1 | 23414-080000 | GASKET, 8X1.0 | 2 | | | | | | | |
| 36 | 1 | 23414-100000 | GASKET, 10X1.0 | 2 | | | | | | | |

Fig.10. COOLING WATER SYSTEM

10. COOLING WATER SYSTEM



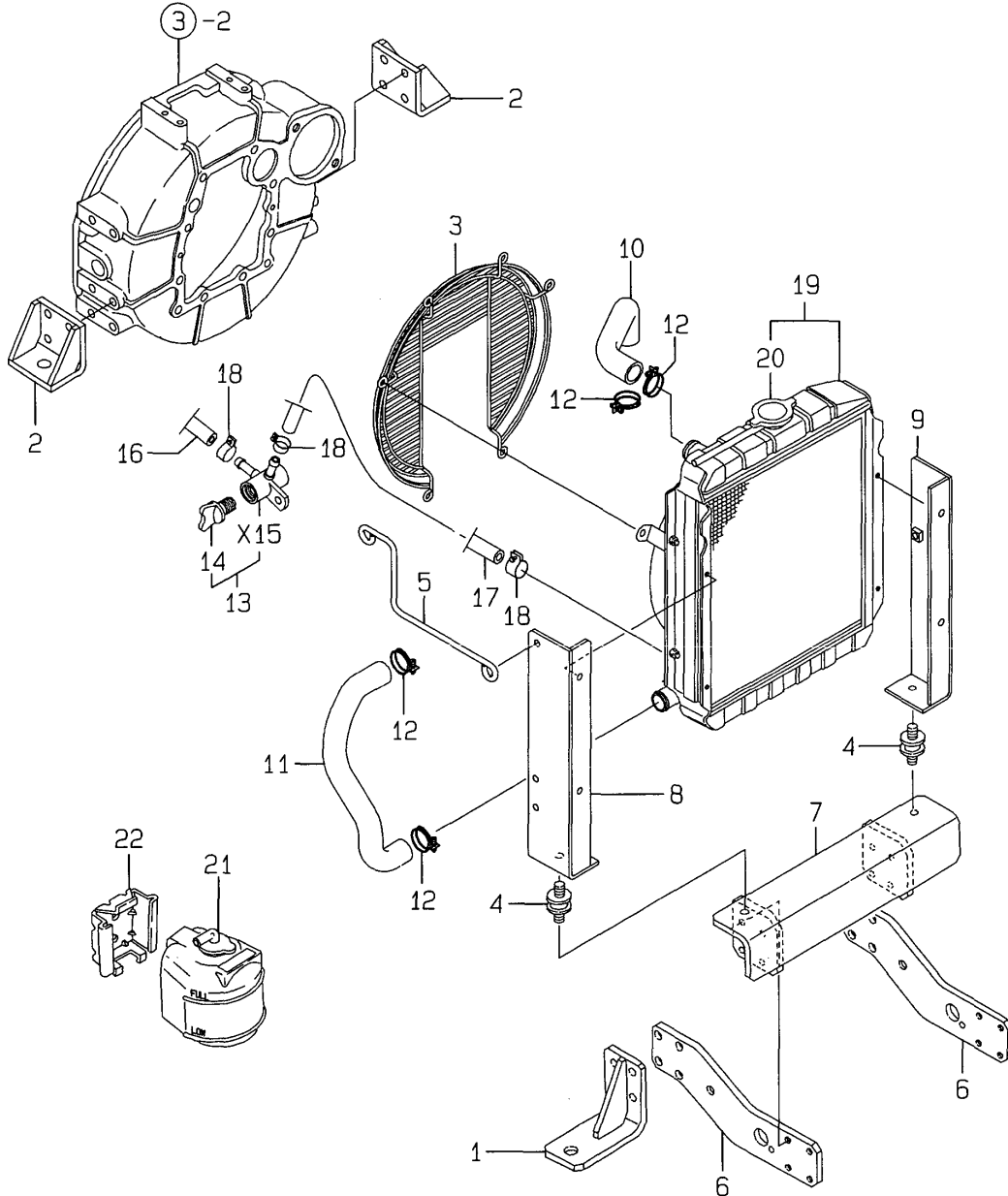
(A)=3TNE88-PG
(B)=
(C)=

(D)=
(E)=
(F)=

| No. | Lev. | Parts No. | Description | Q'ty | | | | | | I | R |
|-----|------|--------------|----------------------|------|-----|-----|-----|-----|-----|---|---|
| | | | | (A) | (B) | (C) | (D) | (E) | (F) | | |
| 1 | 1 | 121250-44901 | SWITCH, 110 | 1 | | | | | | | |
| 2 | 1 | 129001-42002 | PUMP ASSY, WATER | 1 | | | | | | | |
| 13 | 2 | 23871-030000 | PLUG, R03 | 2 | | | | | | | |
| 14 | 1 | 26106-080602 | BOLT, M8X 60 PLATED | 3 | | | | | | | |
| 15 | 1 | 25132-003800 | V-BELT, A38 | 1 | | | | | | | |
| 16 | 1 | 129155-42350 | V-PULLEY | 1 | | | | | | | |
| 17 | 1 | 171340-44740 | FAN, COOLING D335XNF | 1 | | | | | | | |
| 18 | 1 | 171353-44760 | SPACER, FAN | 1 | | | | | | | |
| 19 | 1 | 26106-060352 | BOLT, M6X 35 PLATED | 4 | | | | | | | |
| 20 | 1 | 129350-49560 | COVER, THERMOSTAT | 1 | | | | | | | |
| 21 | 1 | 129795-49551 | GASKET | 1 | | | | | | | |
| 22 | 1 | 129155-49800 | THERMOSTAT, 71 | 1 | | | | | | | |
| 23 | 1 | 129150-49811 | GASKET, THERMOSTAT | 1 | | | | | | | |
| 24 | 1 | 129100-49840 | GASKET | 1 | | | | | | | |
| 25 | 1 | 26106-080202 | BOLT, M8X 20 PLATED | 2 | | | | | | | |
| 26 | 1 | 121450-42450 | PLUG, M16 | 1 | | | | | | | |
| 27 | 1 | 124465-44950 | GASKET, 16 | 1 | | | | | | | |
| 28 | 1 | 124465-44950 | GASKET, 16 | 1 | | | | | | | |
| 29 | 1 | 129001-42040 | JOINT | 1 | | | | | | | |
| 30 | 1 | 24321-000300 | O-RING, 1AG30.0 | 1 | | | | | | | |
| 31 | 1 | 26106-080162 | BOLT, M8X 16 PLATED | 3 | | | | | | | |
| 32 | 1 | 129100-42020 | GASKET, WATER PUMP | 1 | | | | | | | |
| 33 | 1 | 119620-49290 | COCK ASSY, 1/4 | 1 | | | | | | | |

Fig.11. RADIATOR

11.RADIATOR



(A)=3TNE88-PG

(B)=

(C)=

(D)=

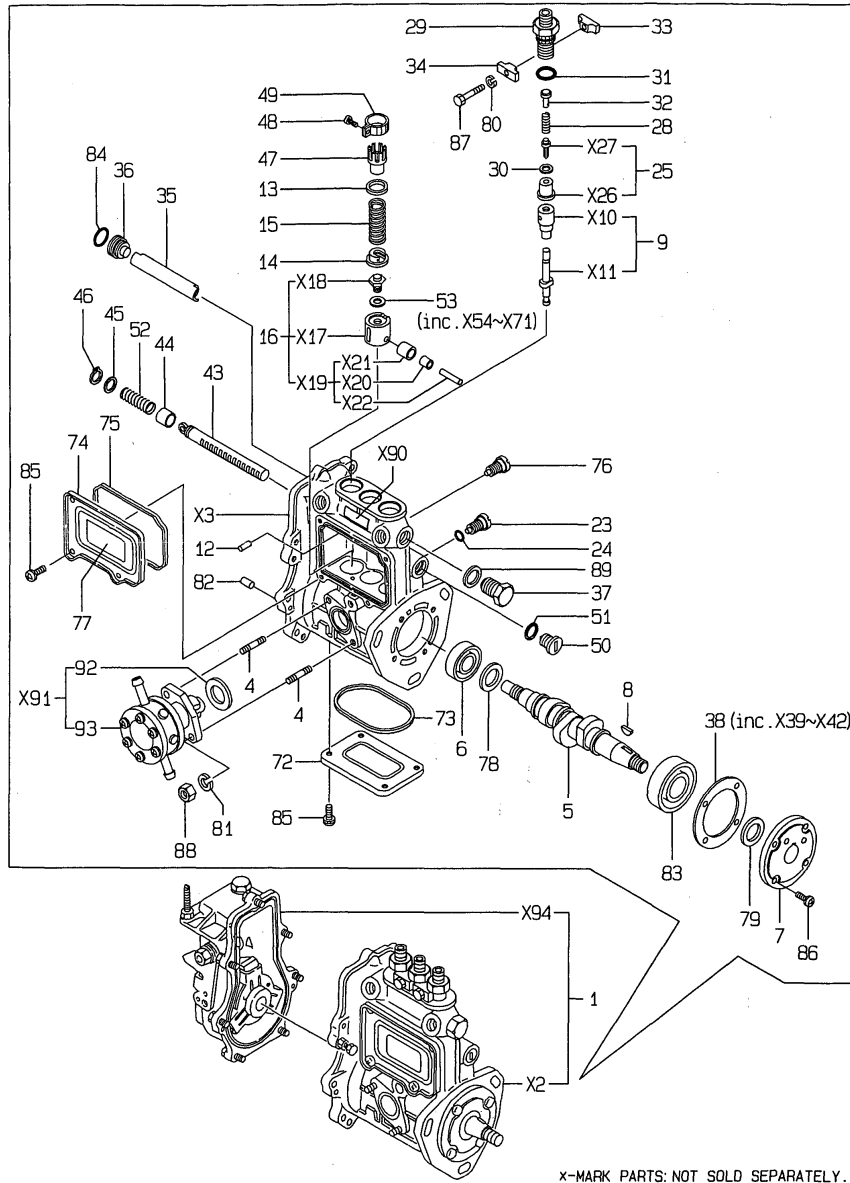
(E)=

(F)=

| No. | Lev. | Parts No. | Description | Q'ty | | | | | | I | R |
|------------|------|--------------|--------------------|------|-----|-----|-----|-----|-----|---|---|
| | | | | (A) | (B) | (C) | (D) | (E) | (F) | | |
| 1 | 1 | 129188-08100 | FOOT | 2 | | | | | | | |
| 2 | 1 | 119888-08110 | FOOT | 2 | | | | | | | |
| 3 | 1 | 129120-44560 | PROTECTOR, FAN | 1 | | | | | | | |
| 4 | 1 | 121400-44650 | ABSORBER | 2 | | | | | | | |
| 5 | 1 | 129211-44940 | RETAINER, RADIATOR | 1 | | | | | | | |
| 6 | 1 | 129188-44950 | BRACKET | 2 | | | | | | | |
| 7 | 1 | 129188-44960 | BRACKET, RADIATOR | 1 | | | | | | | |
| 8 | 1 | 129188-44970 | SUPPORT, A | 1 | | | | | | | |
| 9 | 1 | 129188-44980 | SUPPORT, B | 1 | | | | | | | |
| 10 | 1 | 171301-49010 | PIPE, WATER | 1 | | | | | | | |
| 11 | 1 | 129211-49020 | PIPE, WATER | 1 | | | | | | | |
| 12 | 1 | 23010-038000 | CLAMP, 38 | 4 | | | | | | | |
| 13 | 1 | 129150-49100 | COCK ASSY, 3-WAY | 1 | | | | | | | |
| 13-1 | 1 | 129550-49090 | BODY, 2-WAY COCK | 1 | | | | | | | N |
| (A=E19117) | | | | | | | | | | | |
| 14 | 2 | 129150-49080 | COCK, DRAIN | 1 | | | | | | | Z |
| (A=E19117) | | | | | | | | | | | |
| 16 | 1 | 121737-49160 | PIPE, WATER DRAIN | 1 | | | | | | | Z |
| (A=E19117) | | | | | | | | | | | |
| 17 | 1 | 121520-49160 | PIPE, WATER DRAIN | 1 | | | | | | | |
| 18 | 1 | 124766-59050 | CLIP, HOSE 12 | 4 | | | | | | | |
| 19 | 1 | 129420-44510 | RADIATOR | 1 | | | | | | | |
| 20 | 2 | 123682-44210 | CAP, RADIATOR | 1 | | | | | | | |
| 21 | 1 | 120445-44530 | TANK, SUB | 1 | | | | | | | |
| 22 | 1 | 120445-44540 | SUPPORT | 1 | | | | | | | |

Fig.12. FUEL INJECTION PUMP

12.FUEL INJECTION PUMP



x-MARK PARTS: NOT SOLD SEPARATELY.

Remarks
 (1) GOVERNOR ASSY(FIG.13) IS
 INCORPORATED IN THIS FOP.CMP
 (REF.NO.1,1-1).

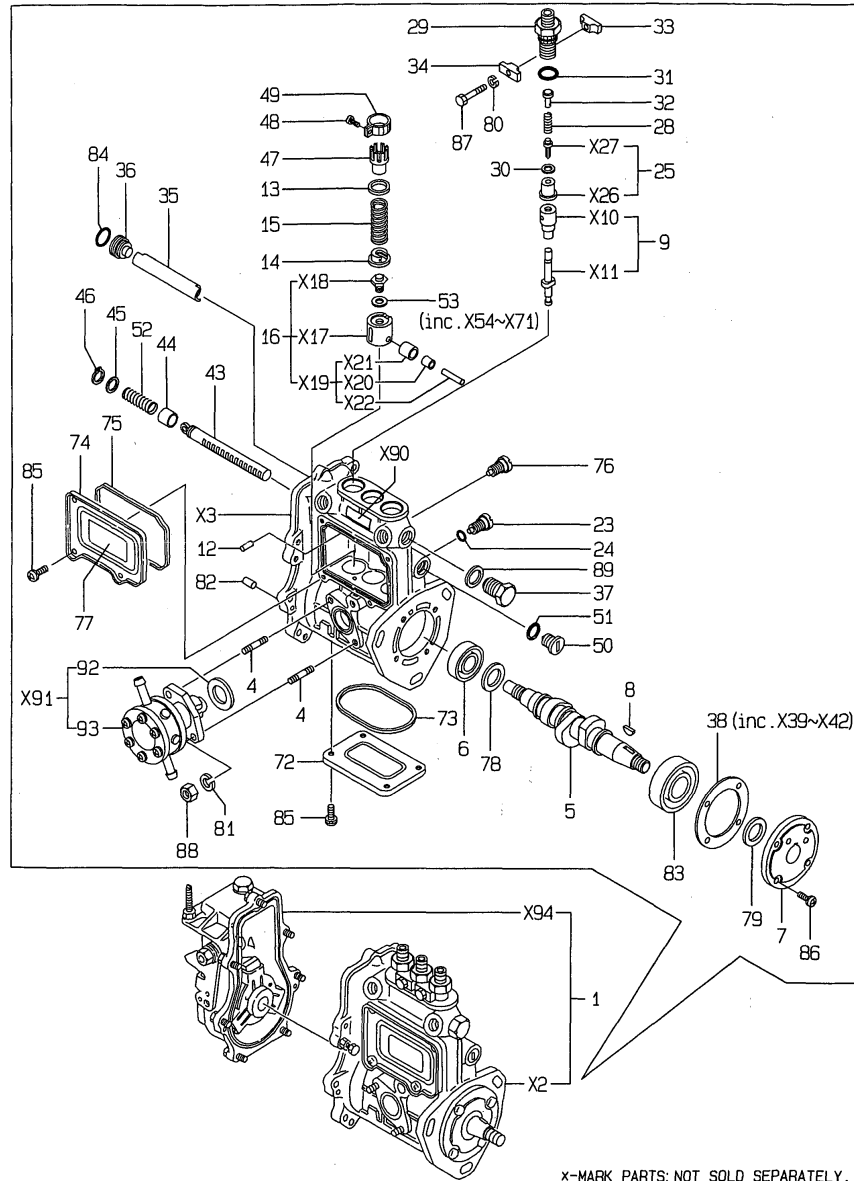
(A)=3TNE88-PG
 (B)=
 (C)=

(D)=
 (E)=
 (F)=

| No. | Lev. | Parts No. | Description | Q'ty | | | | | | I | R |
|------------|------|--------------|----------------------|------|-----|-----|-----|-----|-----|---|-----|
| | | | | (A) | (B) | (C) | (D) | (E) | (F) | | |
| 1 | 1 | 729209-51300 | PUMP ASSY, INJECTION | 1 | | | | | | | 1 |
| 1-1 | 1 | 729002-51310 | PUMP ASSY, INJECTION | 1 | | | | | | | N 1 |
| (A=E19117) | | | | | | | | | | | |
| 4 | 3 | 129155-51020 | STUD | 2 | | | | | | | |
| 5 | 3 | 119810-51040 | CAMSHAFT | 1 | | | | | | | |
| 6 | 3 | 129155-51050 | BEARING, 17BM001D | 1 | | | | | | | |
| 7 | 3 | 129155-51060 | SUPPORT, CAMSHAFT | 1 | | | | | | | |
| 8 | 3 | 122710-51090 | KEY | 1 | | | | | | | |
| 9 | 3 | 129506-51100 | PLUNGER ASSY | 3 | | | | | | | |
| 12 | 3 | 129155-51140 | PIN | 3 | | | | | | | |
| 13 | 3 | 174307-51170 | RETAINER, SPRING A | 3 | | | | | | | |
| 14 | 3 | 129155-51180 | RETAINER, SPRING | 3 | | | | | | | |
| 15 | 3 | 124950-51190 | SPRING, PLUNGER | 3 | | | | | | | |
| 16 | 3 | 129155-51200 | TAPPET ASSY | 3 | | | | | | | |
| 23 | 3 | 129155-51270 | STOPPER, TAPPET | 3 | | | | | | | |
| 24 | 3 | 129155-51280 | O-RING, S6 | 3 | | | | | | | |
| 25 | 3 | 129100-51300 | VALVE ASSY, DELIVERY | 3 | | | | | | | |
| 28 | 3 | 129155-51320 | SPRING, DELIVERY | 3 | | | | | | | |
| 29 | 3 | 129155-51340 | RETAINER | 3 | | | | | | | |
| 30 | 3 | 124550-51350 | GASKET, DELIVERY | 3 | | | | | | | |
| 31 | 3 | 124550-51370 | O-RING | 3 | | | | | | | |
| 32 | 3 | 129155-51370 | STOPPER, VALVE | 3 | | | | | | | |
| 33 | 3 | 129155-51380 | STOPPER | 2 | | | | | | | |
| 34 | 3 | 129155-51390 | STOPPER | 2 | | | | | | | |
| 35 | 3 | 129155-51400 | DEFLECTOR | 1 | | | | | | | |
| 36 | 3 | 129155-51410 | BOLT | 1 | | | | | | | |
| 37 | 3 | 129155-51420 | PLUG, M16 | 1 | | | | | | | |
| 38 | 3 | 129155-51450 | SHIM SET, ADJUSTING | 1 | | | | | | | |
| 43 | 3 | 129155-51500 | RACK, CONTROL | 1 | | | | | | | |
| 44 | 3 | 129155-51521 | BUSH, RACK | 1 | | | | | | | |
| 45 | 3 | 129155-51530 | SPACER | 1 | | | | | | | |
| 46 | 3 | 129155-51540 | CIRCLIP | 1 | | | | | | | |
| 47 | 3 | 129155-51550 | PINION, CONTROL | 3 | | | | | | | |
| 48 | 3 | 122117-51560 | SCREW | 3 | | | | | | | |
| 49 | 3 | 174307-51560 | PINION | 3 | | | | | | | |
| 50 | 3 | 129155-51570 | PLUG, M12 | 1 | | | | | | | |
| 51 | 3 | 129155-51580 | O-RING | 1 | | | | | | | |
| 52 | 3 | 129155-51591 | SPRING, RACK | 1 | | | | | | | |
| 53 | 3 | 129155-51600 | SHIM SET, ADJUSTING | 3 | | | | | | | |
| 72 | 3 | 129155-51700 | COVER | 1 | | | | | | | |
| 73 | 3 | 129155-51710 | GASKET | 1 | | | | | | | |
| 74 | 3 | 129155-51750 | COVER | 1 | | | | | | | |
| 75 | 3 | 129155-51760 | GASKET | 1 | | | | | | | |
| 76 | 3 | 129155-51790 | STOOPER, RACK | 1 | | | | | | | |
| 77 | 3 | 129156-51910 | LABEL, CAUTION | 1 | | | | | | | |
| 78 | 3 | 129155-51930 | SPACER, T=3.25 | 1 | | | | | | | |
| 79 | 3 | 129155-51940 | SPACER, T=1.5 | 1 | | | | | | | |
| 80 | 3 | 22217-050000 | WASHER, SPRING 5 | 2 | | | | | | | |
| 81 | 3 | 22217-060000 | WASHER, SPRING 6 | 2 | | | | | | | |
| 82 | 3 | 22351-050010 | PIN, SPRING 5.0X10 | 2 | | | | | | | |
| 83 | 3 | 24101-063034 | BEARING, BALL 6303 | 1 | | | | | | | |

Fig.12. FUEL INJECTION PUMP

12.FUEL INJECTION PUMP



x-MARK PARTS: NOT SOLD SEPARATELY.

(A)=3TNE88-PG
(B)=
(C)=

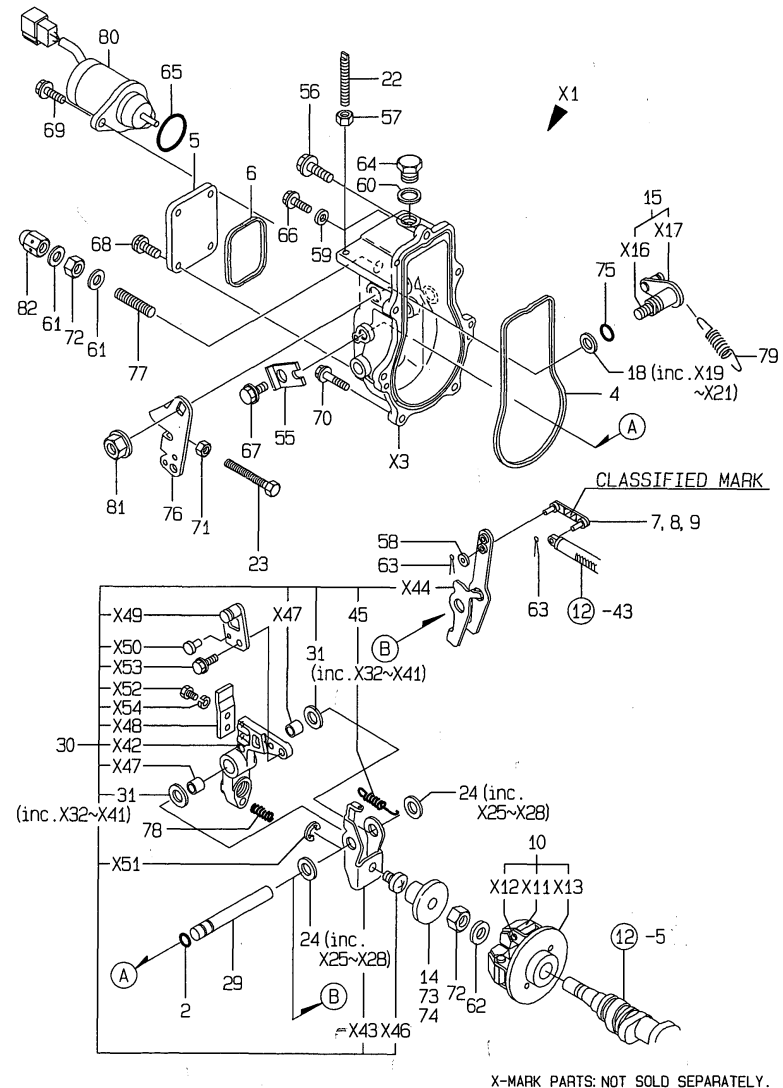
(D)=
(E)=
(F)=

| No. | Lev. | Parts No. | Description | Q'ty | | | | | | I | R |
|-----|------|--------------|----------------------|------|-----|-----|-----|-----|-----|---|---|
| | | | | (A) | (B) | (C) | (D) | (E) | (F) | | |
| 84 | 3 | 24341-000160 | O-RING, 1AS16.0 | 1 | | | | | | | |
| 85 | 3 | 26022-050102 | SCREW, M5X10 | 8 | | | | | | | |
| 86 | 3 | 26022-060162 | SCREW, M6X16 | 4 | | | | | | | |
| 87 | 3 | 26116-050302 | BOLT, M5X 30 PLATED | 2 | | | | | | | |
| 88 | 3 | 26716-060002 | NUT, M6 | 2 | | | | | | | |
| 89 | 3 | 22190-160002 | WASHER, SEAL 16 | 1 | | | | | | | |
| 92 | 3 | 129155-52050 | GASKET | 1 | | | | | | | |
| 93 | 3 | 129100-52100 | PUMP ASSY, FUEL FEED | 1 | | | | | | | |

Remarks
(1) GOVERNOR ASSY(FIG.13) IS
INCORPORATED IN THIS FOP.CMP
(REF.NO.1,1-1).

Fig.13. GOVERNOR

13. GOVERNOR



X-MARK PARTS: NOT SOLD SEPARATELY.

Remarks

(1) SELECTIVE PARTS: CERTAIN THE CLASSIFICATION MARK, THEN PLACE YOUR ORDER.(REFER TO ILLUSTRATION).

(2) SELECTIVE PARTS.

* THIS FIGURE(GOVERNOR ASSY)IS INCORPORATED IN THE FUEL INJECTION PUMP ASSY(FIG.12).

(A)=3TNE88-PG

(B)=

(C)=

(D)=

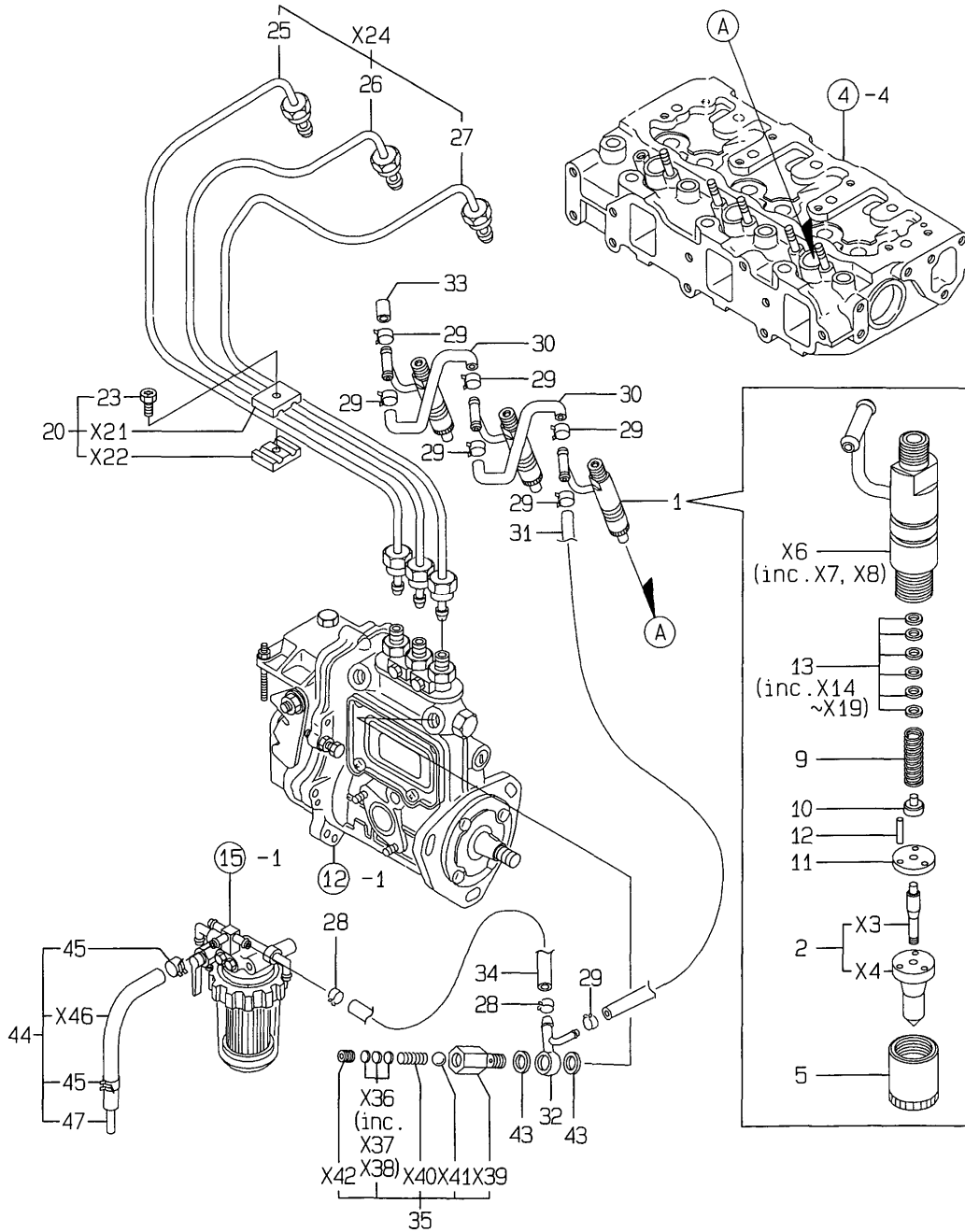
(E)=

(F)=

| No. | Lev. | Parts No. | Description | Q'ty | | | | | | I | R |
|------------|------|--------------|----------------------|------|-----|-----|-----|-----|-----|---|---|
| | | | | (A) | (B) | (C) | (D) | (E) | (F) | | |
| 2 | 3 | 129155-51280 | O-RING, S6 | 1 | | | | | | | |
| 4 | 3 | 129052-61050 | GASKET | 1 | | | | | | | |
| 5 | 3 | 129052-61060 | COVER, GOVERNOR CASE | 1 | | | | | | | |
| 6 | 3 | 129052-61070 | GASKET | 1 | | | | | | | |
| 7 | 3 | 129155-61120 | LINK, L=30 MARK 0 | 1 | | | | | | | 1 |
| 8 | 3 | 129155-61130 | LINK, L=31 MARK 1 | 1 | | | | | | | 1 |
| 9 | 3 | 129155-61140 | LINK, L=30.5 MARK 05 | 1 | | | | | | | 1 |
| 10 | 3 | 171488-61200 | WEIGHT ASSY,GOVERNOR | 1 | | | | | | | |
| 14 | 3 | 129155-61341 | SLEEVE | 1 | | | | | | | 2 |
| 15 | 3 | 129100-61400 | SHAFT ASSY | 1 | | | | | | | |
| 18 | 3 | 129155-61430 | SPACER | 1 | | | | | | | |
| 22 | 3 | 129155-61450 | BOLT, LIMITER | 1 | | | | | | | |
| 23 | 3 | 129155-61460 | BOLT, IDLE | 1 | | | | | | | |
| 24 | 3 | 129155-61480 | SPACER ASSY | 2 | | | | | | | |
| 29 | 3 | 129052-61390 | SHAFT | 1 | | | | | | | |
| 30 | 3 | 129412-61500 | LEVER ASSY, GOVERNOR | 1 | | | | | | | |
| 31 | 4 | 174307-51700 | SHIM SET | 2 | | | | | | | |
| 45 | 4 | 119843-61540 | SPRING, SET | 1 | | | | | | | |
| 55 | 3 | 119660-61901 | RETAINER, SHAFT | 1 | | | | | | | |
| 56 | 3 | 129155-61950 | BOLT | 1 | | | | | | | |
| 57 | 3 | 124550-66370 | NUT, M6 | 1 | | | | | | | |
| 58 | 3 | 22117-040000 | WASHER, 4 | 1 | | | | | | | |
| 59 | 3 | 22190-060002 | WASHER, SEAL 6 | 1 | | | | | | | |
| 60 | 3 | 22190-100002 | WASHER, SEAL 10 | 1 | | | | | | | |
| 61 | 3 | 22190-120002 | WASHER, SEAL 12 | 2 | | | | | | | |
| 62 | 3 | 22287-120000 | WASHER, 12 | 1 | | | | | | | |
| 63 | 3 | 22372-040000 | PIN, SNAP 4 | 2 | | | | | | | |
| 64 | 3 | 23887-100002 | PLUG, 10 | 1 | | | | | | | |
| 65 | 3 | 24341-000280 | O-RING, 1AS28.0 | 1 | | | | | | | |
| 65-1 | 3 | 158552-61900 | O-RING | 1 | | | | | | | N |
| (A=EXXXXX) | | | | | | | | | | | |
| 66 | 3 | 26106-060102 | BOLT, M6X 10 PLATED | 1 | | | | | | | |
| 67 | 3 | 26106-060102 | BOLT, M6X 10 PLATED | 1 | | | | | | | |
| 68 | 3 | 26106-060102 | BOLT, M6X 10 PLATED | 4 | | | | | | | |
| 69 | 3 | 26106-060142 | BOLT, M6X 14 PLATED | 2 | | | | | | | |
| 70 | 3 | 26106-060202 | BOLT, M6X 20 PLATED | 6 | | | | | | | |
| 71 | 3 | 26756-060002 | NUT, LOCK M6 | 1 | | | | | | | |
| 72 | 3 | 26776-120002 | NUT, LOCK M12 | 2 | | | | | | | |
| 73 | 3 | 129155-61350 | SLEEVE, L=24.9 | 1 | | | | | | | 2 |
| 74 | 3 | 129155-61360 | SLEEVE, L=25.2 | 1 | | | | | | | 2 |
| 75 | 3 | 129155-61830 | O-RING, S10 | 1 | | | | | | | |
| 76 | 2 | 129100-61440 | LEVER, CONTROL | 1 | | | | | | | |
| 76-1 | 2 | 171488-61440 | LEVER, CONTROL | 1 | | | | | | | S |
| (A=E19117) | | | | | | | | | | | |
| 77 | 2 | 129155-61470 | BOLT, CONTROL | 1 | | | | | | | |
| 78 | 2 | 129500-61650 | SPRING, FUEL CONTROL | 1 | | | | | | | |
| 79 | 2 | 129477-61720 | SPRING, GOVERNOR | 1 | | | | | | | |
| 80 | 2 | 119653-77950 | SOLENOID, STOP | 1 | | | | | | | |
| 81 | 2 | 26366-080002 | NUT, M8 | 1 | | | | | | | |
| 82 | 2 | 26687-120002 | NUT, CAP M12 | 1 | | | | | | | |

Fig.14. FUEL INJECTION VALVE

14.FUEL INJECTION VALVE



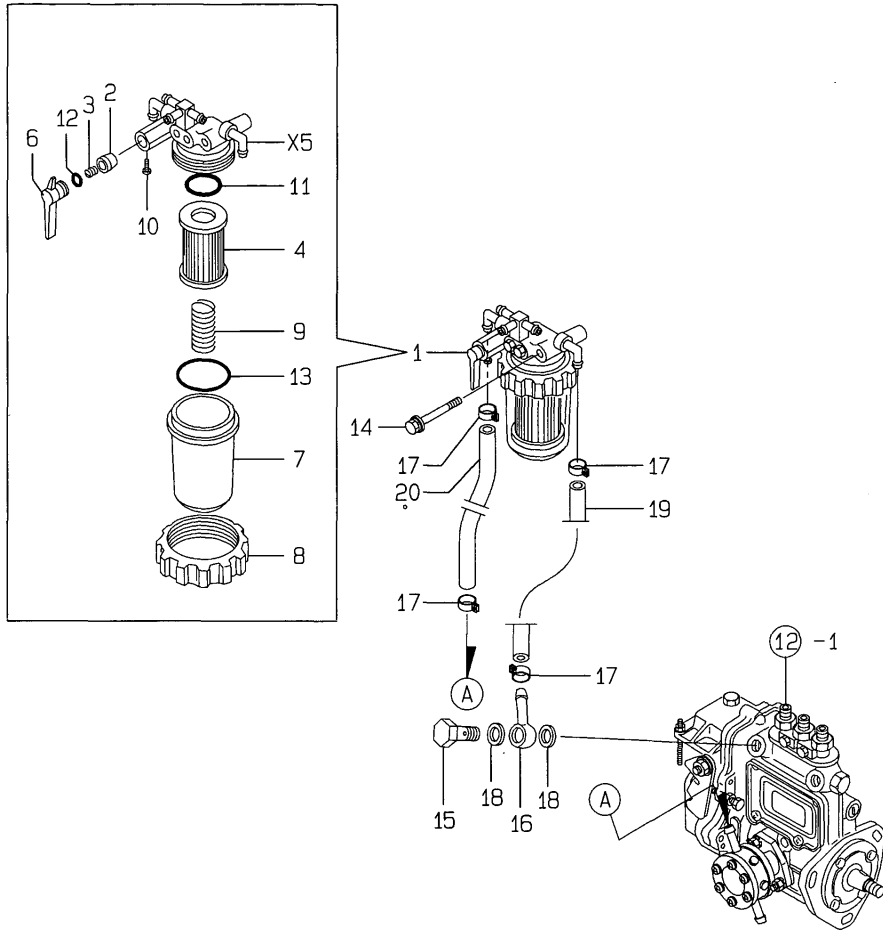
(A)=3TNE88-PG
(B)=
(C)=

(D)=
(E)=
(F)=

| No. | Lev. | Parts No. | Description | Q'ty | | | | | | I | R |
|-----|------|--------------|----------------------|------|-----|-----|-----|-----|-----|---|---|
| | | | | (A) | (B) | (C) | (D) | (E) | (F) | | |
| 1 | 1 | 719810-53100 | VALVE ASSY,INJECTION | 3 | | | | | | | |
| 2 | 2 | 119810-53000 | VALVE ASSY,INJECTION | 3 | | | | | | | |
| 5 | 2 | 114250-53080 | NUT, NOZZLE D16.95 | 3 | | | | | | | |
| 9 | 2 | 114250-53120 | SPRING, NOZZLE | 3 | | | | | | | |
| 10 | 2 | 114250-53130 | SEAT, SPRING | 3 | | | | | | | |
| 11 | 2 | 114250-53140 | PLATE | 3 | | | | | | | |
| 12 | 2 | 114250-53210 | PIN | 6 | | | | | | | |
| 13 | 2 | 114250-53400 | SHIM SET | 3 | | | | | | | |
| 20 | 1 | 119305-59120 | RETAINER, PIPE | 2 | | | | | | | |
| 23 | 2 | 129150-59131 | BOLT, M4X14 | 2 | | | | | | | |
| 25 | 2 | 129002-59810 | PIPE ASSY, INJECTION | 1 | | | | | | | |
| 26 | 2 | 129002-59820 | PIPE ASSY, INJECTION | 1 | | | | | | | |
| 27 | 2 | 129002-59831 | PIPE ASSY, INJECTION | 1 | | | | | | | |
| 28 | 1 | 124766-59050 | CLIP, HOSE 12 | 2 | | | | | | | |
| 29 | 1 | 124066-59100 | CLIP, HOSE 8 | 7 | | | | | | | |
| 30 | 1 | 121250-59550 | PIPE, FUEL D8X120 | 2 | | | | | | | |
| 31 | 1 | 119840-59560 | PIPE, FUEL RETURN | 1 | | | | | | | |
| 32 | 1 | 119840-59570 | JOINT | 1 | | | | | | | |
| 33 | 1 | 129150-59580 | CAP | 1 | | | | | | | |
| 34 | 1 | 105025-59750 | PIPE, FUEL | 1 | | | | | | | |
| 35 | 1 | 129100-59951 | VALVE ASSY, CHECK | 1 | | | | | | | |
| 43 | 1 | 23414-120000 | GASKET, 12X1.0 | 2 | | | | | | | |
| 44 | 1 | 119840-59601 | BEND | 1 | | | | | | | |
| 45 | 2 | 124766-59050 | CLIP, HOSE 12 | 2 | | | | | | | |
| 47 | 2 | 119840-59621 | JOINT | 1 | | | | | | | |

Fig.15. FUEL LINE

15.FUEL LINE



(A)=3TNE88-PG
(B)=
(C)=

(D)=
(E)=
(F)=

| No. | Lev. | Parts No. | Description | Q'ty | | | | | | I | R |
|-----|------|--------------|----------------------|------|-----|-----|-----|-----|-----|---|---|
| | | | | (A) | (B) | (C) | (D) | (E) | (F) | | |
| 1 | 1 | 129052-55620 | FILTER ASSY, FUEL | 1 | | | | | | | |
| 2 | 2 | 104200-55321 | VALVE, TAPER | 1 | | | | | | | |
| 3 | 2 | 104200-55330 | SPRING, VALVE | 1 | | | | | | | |
| 4 | 2 | 129100-55650 | ELEMENT | 1 | | | | | | | |
| 6 | 2 | 129100-55670 | LEVER | 1 | | | | | | | |
| 7 | 2 | 129100-55680 | CUP, STRAINER | 1 | | | | | | | |
| 8 | 2 | 129100-55690 | RING, RETAINING | 1 | | | | | | | |
| 9 | 2 | 129100-55700 | SPRING | 1 | | | | | | | |
| 10 | 2 | 104200-55750 | SCREW, M4 | 1 | | | | | | | |
| 11 | 2 | 24311-000160 | O-RING, 1AP16.0 | 1 | | | | | | | |
| 12 | 2 | 24311-240100 | O-RING, 1AP10A | 1 | | | | | | | |
| 13 | 2 | 24321-000650 | O-RING, 1AG65.0 | 1 | | | | | | | |
| 14 | 1 | 26014-080702 | BOLT, M8X 70 | 1 | | | | | | | |
| 15 | 1 | 103854-39140 | BOLT, PIPE JOINT | 1 | | | | | | | |
| 16 | 1 | 101304-59020 | JOINT, PIPE 12 | 1 | | | | | | | |
| 17 | 1 | 124766-59050 | CLIP, HOSE 12 | 4 | | | | | | | |
| 18 | 1 | 22190-120002 | WASHER, SEAL 12 | 2 | | | | | | | |
| 19 | 1 | 129150-59511 | PIPE, FUEL | 1 | | | | | | | |
| 20 | 1 | 105025-59750 | PIPE, FUEL | 1 | | | | | | | |
| 21 | 1 | 121850-55800 | SEPARATOR ASSY,WATER | 1 | | | | | | | |
| 22 | 2 | 104200-55321 | VALVE, TAPER | 1 | | | | | | | |
| 23 | 2 | 104200-55330 | SPRING, VALVE | 1 | | | | | | | |
| 24 | 2 | 104200-55341 | HANDLE | 1 | | | | | | | |
| 25 | 2 | 121254-55510 | COVER | 1 | | | | | | | |
| 26 | 2 | 102103-55520 | O-RING | 1 | | | | | | | |
| 27 | 2 | 110250-55610 | RING, RETAINING | 1 | | | | | | | |
| 29 | 2 | 121850-55710 | SCREEN | 1 | | | | | | | |
| 30 | 2 | 121257-55720 | SPRING | 1 | | | | | | | |
| 31 | 2 | 121257-55731 | FLOAT | 1 | | | | | | | |
| 32 | 2 | 101720-55750 | PLUG, 6 | 2 | | | | | | | |
| 33 | 2 | 104200-55750 | SCREW, M4 | 1 | | | | | | | |
| 34 | 2 | 23418-060000 | GASKET, 6X1.0 | 2 | | | | | | | |
| 35 | 2 | 24311-240100 | O-RING, 1AP10A | 1 | | | | | | | |

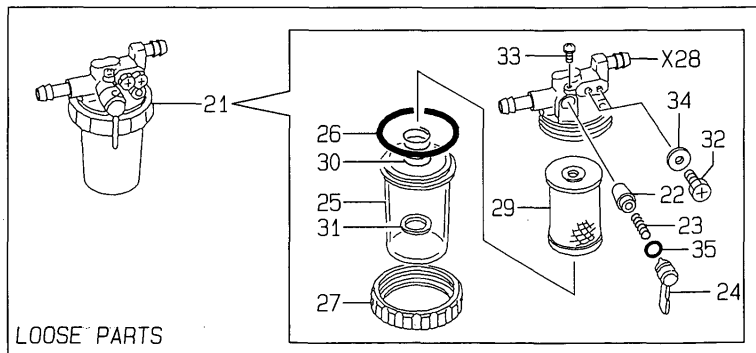
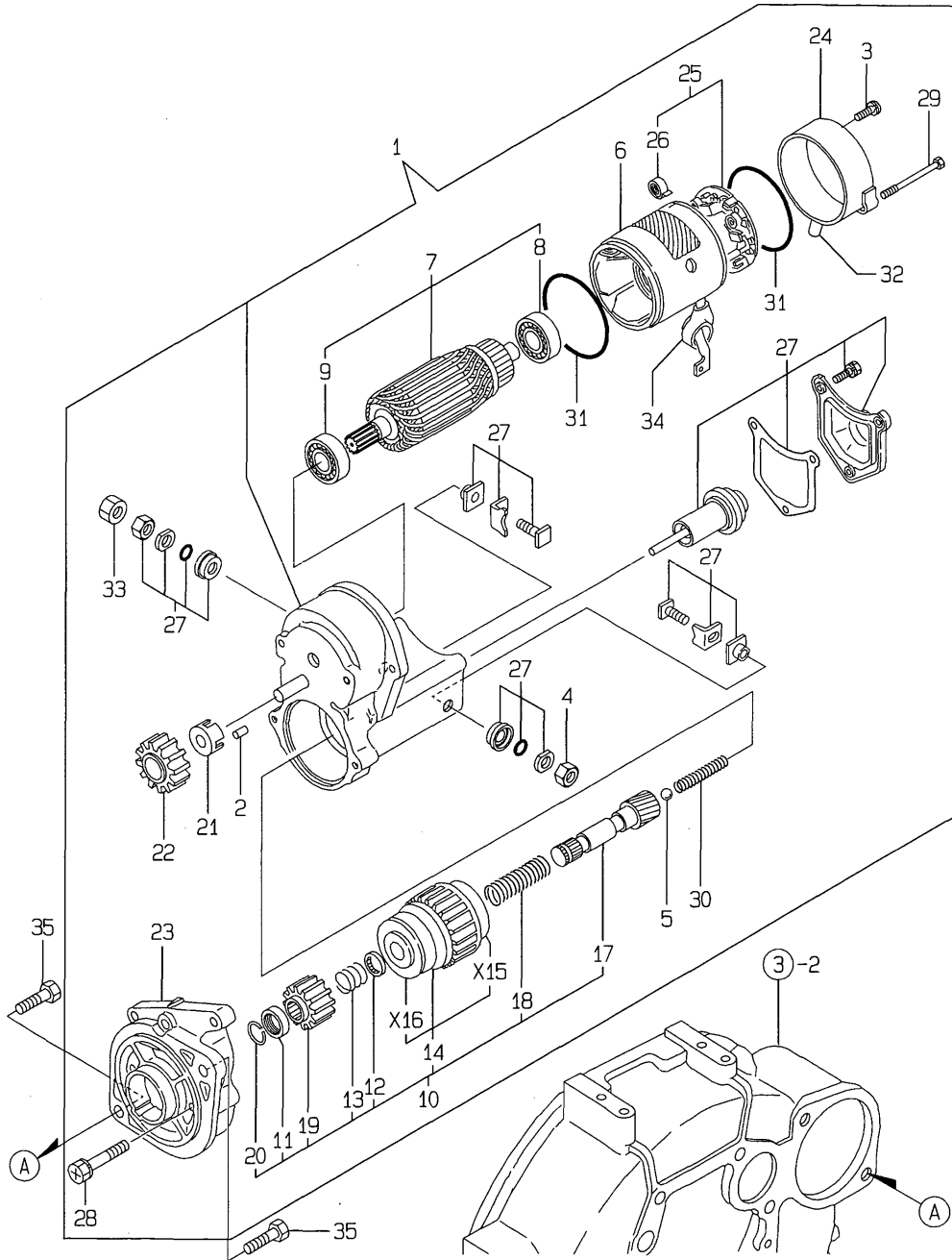


Fig.16. STARTING MOTOR

16.STARTING MOTOR



x-MARK PARTS: NOT SOLD SEPARATELY.

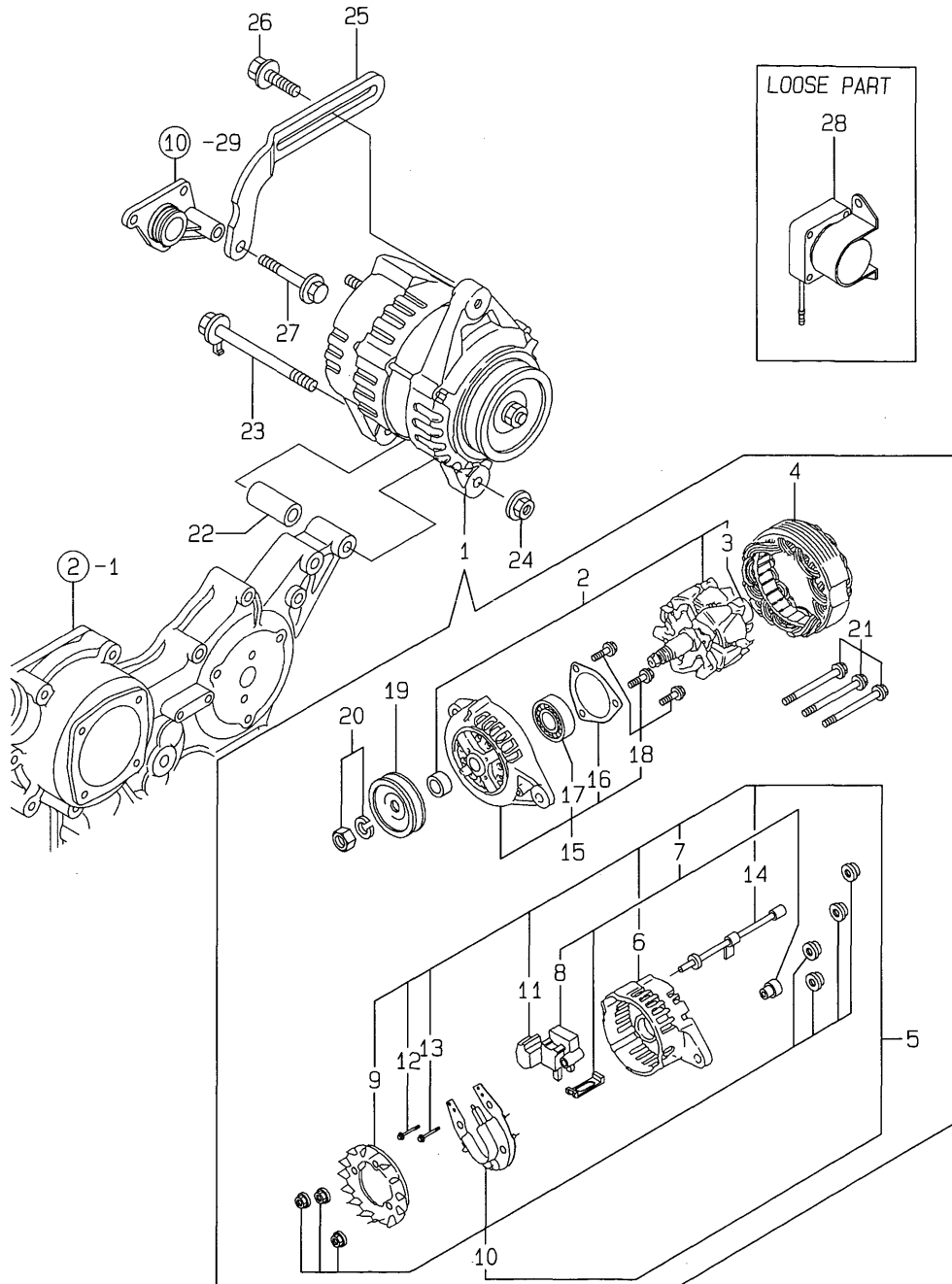
(A)=3TNE88-PG
(B)=
(C)=

(D)=
(E)=
(F)=

| No. | Lev. | Parts No. | Description | Q'ty | | | | | | I | R |
|-----|------|--------------|----------------------|------|-----|-----|-----|-----|-----|---|---|
| | | | | (A) | (B) | (C) | (D) | (E) | (F) | | |
| 1 | 1 | 129129-77010 | STARTER ASSY | 1 | | | | | | | |
| 2 | 2 | X0283060061 | ROLLER | 5 | | | | | | | |
| 3 | 2 | 129129-77460 | SCREW | 2 | | | | | | | |
| 4 | 2 | X9490561370 | NUT | 1 | | | | | | | |
| 5 | 2 | X9491200240 | BALL | 1 | | | | | | | |
| 6 | 2 | 129129-77210 | YOKE ASSY | 1 | | | | | | | |
| 7 | 2 | 129129-77220 | ARMATURE ASSY | 1 | | | | | | | |
| 8 | 3 | 129129-77230 | BEARING | 1 | | | | | | | |
| 9 | 3 | 129129-77240 | BEARING | 1 | | | | | | | |
| 10 | 2 | 129129-77250 | STARTER | 1 | | | | | | | |
| 11 | 3 | X0280210230 | NUT | 1 | | | | | | | |
| 12 | 3 | X0283270140 | RETAINER | 1 | | | | | | | |
| 13 | 3 | X9491703371 | SPRING, COIL | 1 | | | | | | | |
| 14 | 3 | 129129-77390 | CLUTCH ASSY, STARTER | 1 | | | | | | | |
| 17 | 3 | 129129-77400 | SHAFT | 1 | | | | | | | |
| 18 | 3 | 129129-77410 | SPRING, COIL | 1 | | | | | | | |
| 19 | 3 | 129129-77420 | PINION | 1 | | | | | | | |
| 20 | 3 | 129129-77430 | RING | 1 | | | | | | | |
| 21 | 2 | 129129-77260 | RETAINER | 1 | | | | | | | |
| 22 | 2 | 129129-77270 | PINION | 1 | | | | | | | |
| 23 | 2 | 129129-77280 | HOUSING | 1 | | | | | | | |
| 24 | 2 | 129129-77290 | FRAME | 1 | | | | | | | |
| 25 | 2 | 129129-77300 | HOLDER ASSY | 1 | | | | | | | |
| 26 | 3 | X9491730461 | SPRING | 4 | | | | | | | |
| 27 | 2 | 129129-77310 | SWITCH ASSY | 1 | | | | | | | |
| 28 | 2 | 129129-77320 | BOLT | 2 | | | | | | | |
| 29 | 2 | 129129-77330 | BOLT | 2 | | | | | | | |
| 30 | 2 | 129129-77340 | SPRING | 1 | | | | | | | |
| 31 | 2 | 129129-77350 | O-RING | 2 | | | | | | | |
| 32 | 2 | 129129-77362 | COVER | 1 | | | | | | | |
| 33 | 2 | 129129-77370 | NUT | 1 | | | | | | | |
| 34 | 2 | 129129-77380 | CAP | 1 | | | | | | | |
| 35 | 1 | 26116-120252 | BOLT, M12X 25 PLATED | 2 | | | | | | | |

Fig.17. GENERATOR

17. GENERATOR



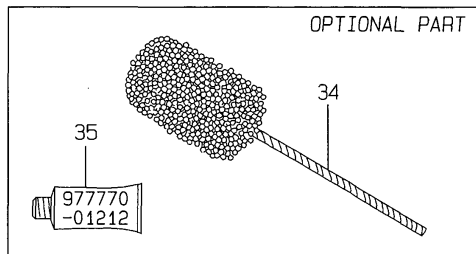
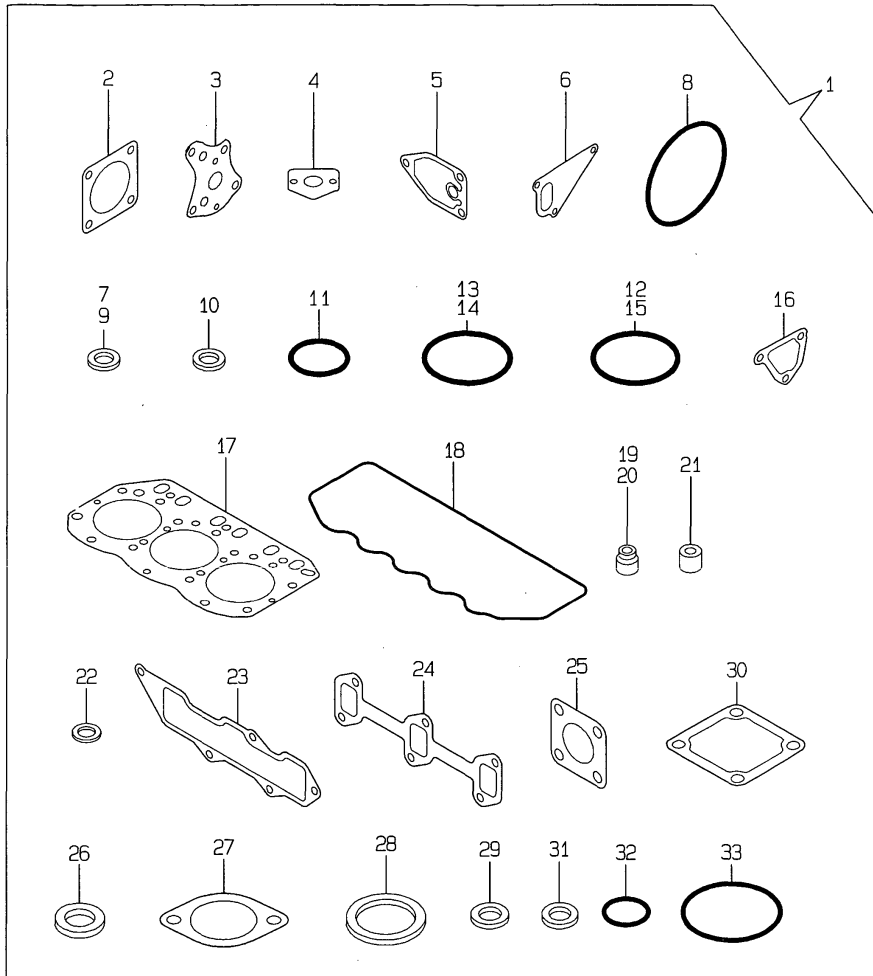
(A)=3TNE88-PG
(B)=
(C)=

(D)=
(E)=
(F)=

| No. | Lev. | Parts No. | Description | Qty | | | | | | I | R |
|------------|------|--------------|----------------------|-----|-----|-----|-----|-----|-----|---|---|
| | | | | (A) | (B) | (C) | (D) | (E) | (F) | | |
| 1 | 1 | 119836-77200 | GENERATOR | 1 | | | | | | | |
| 2 | 2 | 119836-77700 | ROTOR ASSY | 1 | | | | | | | |
| 3 | 3 | 119836-77850 | BALL BEARING | 1 | | | | | | | |
| 4 | 2 | 119836-77710 | STATOR ASSY | 1 | | | | | | | |
| 5 | 2 | 119836-77721 | COVER ASSY, REAR | 1 | | | | | | | |
| 6 | 3 | 119836-77730 | COVER, REAR | 1 | | | | | | | |
| 7 | 3 | 119836-77741 | BRUSH ASSY,REGULATOR | 1 | | | | | | | |
| 8 | 4 | 119836-77750 | BRUSH ASSY | 1 | | | | | | | |
| 9 | 3 | 119836-77760 | GUIDE, FAN SIDE | 1 | | | | | | | |
| 10 | 3 | 119836-77770 | DIODE ASSY | 1 | | | | | | | |
| 11 | 3 | 119836-77780 | CONDENSER | 1 | | | | | | | |
| 12 | 3 | 119836-77871 | BOLT (1) | 1 | | | | | | | |
| 13 | 3 | 119836-77880 | BOLT (2) | 1 | | | | | | | |
| 14 | 3 | 119836-77890 | WIRE ASSY, LEAD | 1 | | | | | | | |
| 15 | 2 | 119836-77790 | COVER ASSY, FRONT | 1 | | | | | | | |
| 16 | 3 | 119836-77800 | RETAINER, BEARING | 1 | | | | | | | |
| 17 | 3 | 119836-77840 | BALL BEARING | 1 | | | | | | | |
| 18 | 3 | 119836-77860 | SCREW KID | 1 | | | | | | | |
| 19 | 2 | 119836-77810 | PULLEY | 1 | | | | | | | |
| 20 | 2 | 119836-77820 | NUT ASSY, PULLEY | 1 | | | | | | | |
| 21 | 2 | 119836-77830 | BOLT, THROUGH | 1 | | | | | | | |
| 22 | 1 | 119820-77340 | PIECE, DISTANCE | 1 | | | | | | | |
| 23 | 1 | 129136-77250 | BOLT M 8X105 | 1 | | | | | | | |
| 23-1 | 1 | 129136-77251 | BOLT, M8X110 | 1 | | | | | | | N |
| (A=E16320) | | | | | | | | | | | |
| 24 | 1 | 26366-080002 | NUT, M8 | 1 | | | | | | | |
| 25 | 1 | 129100-77320 | ADJUSTER | 1 | | | | | | | |
| 26 | 1 | 26014-080252 | BOLT, M8X 25 | 1 | | | | | | | |
| 26-1 | 1 | 119810-77340 | BOLT, ADJUSTER | 1 | | | | | | | N |
| (A=E16320) | | | | | | | | | | | |
| 27 | 1 | 26106-080502 | BOLT, M8X 50 PLATED | 1 | | | | | | | |
| 28 | 1 | 129100-77910 | RELAY, MAGNETIC | 1 | | | | | | | |
| 29 | 1 | 119632-77920 | TIMER | 1 | | | | | | | W |
| (A=E19117) | | | | | | | | | | | |
| 30 | 1 | 119650-77910 | RELAY ASSY, GLOW | 1 | | | | | | | W |
| (A=E19117) | | | | | | | | | | | |
| 31 | 1 | 119643-66900 | DIODE | 1 | | | | | | | W |
| (A=E19117) | | | | | | | | | | | |

Fig.18. GASKET SET

18. GASKET SET



(A)=3TNE88-PG
(B)=
(C)=

(D)=
(E)=
(F)=

| No. | Lev. | Parts No. | Description | Q'ty | | | | | | I | R |
|-----|------|--------------|--------------------|------|-----|-----|-----|-----|-----|---|---|
| | | | | (A) | (B) | (C) | (D) | (E) | (F) | | |
| 1 | 1 | 729030-92650 | GASKET SET | 1 | | | | | | | 1 |
| 2 | 2 | 124240-01883 | GASKET | 1 | | | | | | | |
| 3 | 2 | 129150-32020 | GASKET, PUMP | 1 | | | | | | | |
| 4 | 2 | 129150-35041 | GASKET | 1 | | | | | | | |
| 5 | 2 | 129150-35111 | GASKET | 1 | | | | | | | |
| 6 | 2 | 129100-42020 | GASKET, WATER PUMP | 1 | | | | | | | |
| 7 | 2 | 22190-080002 | WASHER, SEAL 6 | 5 | | | | | | | |
| 8 | 2 | 121850-51960 | O-RING | 1 | | | | | | | |
| 9 | 2 | 23414-080000 | GASKET, 8X1.0 | 2 | | | | | | | |
| 10 | 2 | 23414-100000 | GASKET, 10X1.0 | 2 | | | | | | | |
| 11 | 2 | 24311-000160 | O-RING, 1AP16.0 | 3 | | | | | | | |
| 12 | 2 | 24341-000500 | O-RING, 1AS50.0 | 1 | | | | | | | |
| 13 | 2 | 24341-000240 | O-RING, 1AS24.0 | 1 | | | | | | | |
| 14 | 2 | 24341-000250 | O-RING, 1AS25.0 | 1 | | | | | | | |
| 15 | 2 | 24311-000320 | O-RING, 1AP32.0 | 2 | | | | | | | |
| 16 | 2 | 129100-49840 | GASKET | 1 | | | | | | | |
| 17 | 2 | 129001-01340 | GASKET, HEAD | 1 | | | | | | | |
| 18 | 2 | 129150-11310 | GASKET, BONNET | 1 | | | | | | | |
| 19 | 2 | 121400-11340 | SEAL, VALVE STEM | 3 | | | | | | | |
| 20 | 2 | 124460-11340 | SEAL, VALVE STEM | 3 | | | | | | | |
| 21 | 2 | 119625-11870 | PROTECTOR, NOZZLE | 3 | | | | | | | |
| 22 | 2 | 119625-11880 | SEAT, NOZZLE | 3 | | | | | | | |
| 23 | 2 | 129001-12110 | GASKET, MANIFOLD | 1 | | | | | | | |
| 24 | 2 | 129150-13110 | GASKET | 1 | | | | | | | |
| 25 | 2 | 124701-11911 | GASKET, SILENCER | 1 | | | | | | | |
| 26 | 2 | 124465-44950 | GASKET, 16 | 2 | | | | | | | |
| 27 | 2 | 129795-49551 | GASKET | 1 | | | | | | | |
| 28 | 2 | 129150-49811 | GASKET, THERMOSTAT | 1 | | | | | | | |
| 29 | 2 | 22190-120002 | WASHER, SEAL 12 | 2 | | | | | | | |
| 30 | 2 | 129150-77511 | GASKET | 1 | | | | | | | |
| 31 | 2 | 23414-120000 | GASKET, 12X1.0 | 2 | | | | | | | |
| 32 | 2 | 24311-000120 | O-RING, 1AP12.0 | 3 | | | | | | | |
| 33 | 2 | 24321-000300 | O-RING, 1AG30.0 | 1 | | | | | | | |
| 34 | 1 | 129400-92420 | FLEX HORN | 1 | | | | | | | 1 |
| 35 | 1 | 977770-01212 | GASKET, LIQUID | 1 | | | | | | | 1 |

Remarks
(1) OPTIONAL PART.

Parts No. Index

| Parts No. | Fig. No. | Ref. No. |
|--------------|----------|----------|
| 101304-59020 | 15 | 16 |
| 101720-55750 | 15 | 32 |
| 102103-55520 | 15 | 26 |
| 103854-39140 | 15 | 15 |
| 104200-55321 | 15 | 2 |
| | | 22 |
| 104200-55330 | 15 | 3 |
| | | 23 |
| 104200-55341 | 15 | 24 |
| 104200-55750 | 15 | 10 |
| | | 33 |
| 104407-44480 | 5 | 4 |
| 105025-59750 | 14 | 34 |
| | 15 | 20 |
| 110250-55610 | 15 | 27 |
| 114250-53080 | 14 | 5 |
| 114250-53120 | 14 | 9 |
| 114250-53130 | 14 | 10 |
| 114250-53140 | 14 | 11 |
| 114250-53210 | 14 | 12 |
| 114250-53400 | 14 | 13 |
| 119131-18320 | 6 | 5 -1 |
| 119305-59120 | 14 | 20 |
| 119620-01750 | 3 | 3 |
| 119620-49290 | 10 | 33 |
| 119625-11870 | 4 | 21 |
| | 18 | 21 |
| 119625-11880 | 4 | 22 |
| | 18 | 22 |
| 119625-11900 | 4 | 23 |
| 119632-77920 | 17 | 29 |
| 119643-66900 | 17 | 31 |
| 119650-77910 | 17 | 30 |
| 119653-77950 | 13 | 80 |
| 119660-61901 | 13 | 55 |
| 119810-51040 | 12 | 5 |
| 119810-53000 | 14 | 2 |
| 119810-77340 | 17 | 26 -1 |
| 119820-77340 | 17 | 22 |
| 119836-77200 | 17 | 1 |
| 119836-77700 | 17 | 2 |
| 119836-77710 | 17 | 4 |
| 119836-77721 | 17 | 5 |
| 119836-77730 | 17 | 6 |
| 119836-77741 | 17 | 7 |
| 119836-77750 | 17 | 8 |
| 119836-77760 | 17 | 9 |
| 119836-77770 | 17 | 10 |
| 119836-77780 | 17 | 11 |
| 119836-77790 | 17 | 15 |

| Parts No. | Fig. No. | Ref. No. |
|--------------|----------|----------|
| 119836-77800 | 17 | 16 |
| 119836-77810 | 17 | 19 |
| 119836-77820 | 17 | 20 |
| 119836-77830 | 17 | 21 |
| 119836-77840 | 17 | 17 |
| 119836-77850 | 17 | 3 |
| 119836-77860 | 17 | 18 |
| 119836-77871 | 17 | 12 |
| 119836-77880 | 17 | 13 |
| 119836-77890 | 17 | 14 |
| 119840-59560 | 14 | 31 |
| 119840-59570 | 14 | 32 |
| 119840-59601 | 14 | 44 |
| 119840-59621 | 14 | 47 |
| 119843-61540 | 13 | 45 |
| 119888-08110 | 11 | 2 |
| 120130-11860 | 4 | 7 |
| 120445-44530 | 11 | 21 |
| 120445-44540 | 11 | 22 |
| 121023-01550 | 2 | 24 |
| 121111-21501 | 8 | 11 |
| 121250-44901 | 10 | 1 |
| 121250-59550 | 14 | 30 |
| 121254-55510 | 15 | 25 |
| 121257-55720 | 15 | 30 |
| 121257-55731 | 15 | 31 |
| 121400-11340 | 4 | 18 |
| | 18 | 19 |
| 121400-44650 | 11 | 4 |
| 121450-01560 | 2 | 5 |
| 121450-42450 | 10 | 26 |
| 121520-34810 | 9 | 17 |
| 121520-49160 | 11 | 17 |
| 121550-23200 | 8 | 27 |
| 121737-49160 | 11 | 16 |
| 121850-21680 | 8 | 10 |
| 121850-51960 | 2 | 11 |
| | 18 | 8 |
| 121850-55710 | 15 | 29 |
| 121850-55800 | 15 | 21 |
| 122117-51560 | 12 | 48 |
| 122710-51090 | 12 | 8 |
| 123682-44210 | 11 | 20 |
| 124066-59100 | 14 | 29 |
| 124160-01751 | 2 | 6 |
| | 4 | 53 |
| 124160-01910 | 1 | 4 |
| 124160-11360 | 4 | 52 |
| 124160-39140 | 9 | 28 |
| 124160-39450 | 9 | 33 |

| Parts No. | Fig. No. | Ref. No. |
|--------------|----------|----------|
| 124240-01871 | 2 | 7 |
| 124240-01883 | 2 | 8 |
| | 18 | 2 |
| 124460-11340 | 4 | 19 |
| | 18 | 20 |
| 124465-44950 | 10 | 27 |
| | | 28 |
| | 18 | 26 |
| 124550-21600 | 8 | 14 |
| 124550-51350 | 12 | 30 |
| 124550-51370 | 12 | 31 |
| 124550-59820 | 9 | 34 |
| 124550-66370 | 13 | 57 |
| 124701-11911 | 6 | 7 |
| | 18 | 25 |
| 124736-07900 | 4 | 2 |
| 124766-59050 | 11 | 18 |
| | 14 | 28 |
| | | 45 |
| | 15 | 17 |
| 124950-51190 | 12 | 15 |
| 129001-01340 | 1 | 21 |
| | 18 | 17 |
| 129001-02800 | 1 | 14 |
| 129001-11700 | 4 | 4 |
| 129001-12110 | 5 | 1 |
| | 18 | 23 |
| 129001-21000 | 8 | 1 |
| 129001-22081 | 8 | 15 |
| 129001-22500 | 8 | 17 |
| 129001-22901 | 8 | 30 |
| 129001-22950 | 8 | 32 |
| 129001-32001 | 9 | 1 |
| 129001-35300 | 9 | 24 |
| 129001-42002 | 10 | 2 |
| 129001-42040 | 10 | 29 |
| 129001-91840 | 2 | 20 -1 |
| 129002-59810 | 14 | 25 |
| 129002-59820 | 14 | 26 |
| 129002-59831 | 14 | 27 |
| 129052-55620 | 15 | 1 |
| 129052-61050 | 13 | 4 |
| 129052-61060 | 13 | 5 |
| 129052-61070 | 13 | 6 |
| 129052-61390 | 13 | 29 |
| 129100-01580 | 3 | 1 |
| | | 14 |
| | 8 | 2 |
| 129100-01640 | 3 | 15 |
| 129100-01730 | 3 | 6 |

| Parts No. | Fig. No. | Ref. No. |
|--------------|----------|----------|
| 129100-01760 | 3 | 7 |
| 129100-11100 | 4 | 13 |
| 129100-11110 | 4 | 14 |
| 129100-11240 | 4 | 24 |
| 129100-11350 | 4 | 42 |
| 129100-11650 | 4 | 31 |
| 129100-13110 | 6 | 1 |
| 129100-23910 | 8 | 26 |
| 129100-25061 | 7 | 8 |
| 129100-35301 | 9 | 19 |
| 129100-42020 | 10 | 32 |
| | 18 | 6 |
| 129100-49840 | 10 | 24 |
| | 18 | 16 |
| 129100-51300 | 12 | 25 |
| 129100-52100 | 12 | 93 |
| 129100-55650 | 15 | 4 |
| 129100-55670 | 15 | 6 |
| 129100-55680 | 15 | 7 |
| 129100-55690 | 15 | 8 |
| 129100-55700 | 15 | 9 |
| 129100-59951 | 14 | 35 |
| 129100-61400 | 13 | 15 |
| 129100-61440 | 13 | 76 |
| 129100-77320 | 17 | 25 |
| 129100-77910 | 17 | 28 |
| 129120-44560 | 11 | 3 |
| 129120-77501 | 5 | 7 |
| 129129-14580 | 7 | 3 |
| 129129-77010 | 16 | 1 |
| 129129-77210 | 16 | 6 |
| 129129-77220 | 16 | 7 |
| 129129-77230 | 16 | 8 |
| 129129-77240 | 16 | 9 |
| 129129-77250 | 16 | 10 |
| 129129-77260 | 16 | 21 |
| 129129-77270 | 16 | 22 |
| 129129-77280 | 16 | 23 |
| 129129-77290 | 16 | 24 |
| 129129-77300 | 16 | 25 |
| 129129-77310 | 16 | 27 |
| 129129-77320 | 16 | 28 |
| 129129-77330 | 16 | 29 |
| 129129-77340 | 16 | 30 |
| 129129-77350 | 16 | 31 |
| 129129-77362 | 16 | 32 |
| 129129-77370 | 16 | 33 |
| 129129-77380 | 16 | 34 |
| 129129-77390 | 16 | 14 |
| 129129-77400 | 16 | 17 |

Parts No. Index

| Parts No. | Fig. No. | Ref. No. |
|--------------|----------|----------|
| 129129-77410 | 16 | 18 |
| 129129-77420 | 16 | 19 |
| 129129-77430 | 16 | 20 |
| 129129-77460 | 16 | 3 |
| 129136-77250 | 17 | 23 |
| 129136-77251 | 17 | 23 -1 |
| 129150-01200 | 1 | 20 |
| 129150-02020 | 1 | 6 |
| 129150-02450 | 7 | 4 |
| 129150-02870 | 1 | 25 |
| 129150-02930 | 1 | 17 |
| 129150-02940 | 1 | 22 |
| 129150-03020 | 4 | 44 |
| 129150-03070 | 4 | 45 |
| 129150-03080 | 4 | 46 |
| 129150-03100 | 2 | 10 |
| 129150-11230 | 4 | 32 |
| 129150-11280 | 4 | 27 |
| 129150-11290 | 4 | 28 |
| 129150-11310 | 4 | 48 |
| | 18 | 18 |
| 129150-11370 | 4 | 20 |
| 129150-11750 | 4 | 34 |
| 129150-11810 | 4 | 9 |
| 129150-13110 | 6 | 2 |
| | 18 | 24 |
| 129150-14101 | 7 | 6 |
| 129150-14200 | 7 | 1 |
| 129150-14400 | 7 | 2 |
| 129150-21200 | 8 | 4 |
| 129150-21650 | 8 | 8 |
| 129150-23600 | 8 | 28 |
| 129150-23610 | 8 | 36 |
| 129150-25101 | 7 | 9 |
| 129150-25900 | 7 | 14 |
| 129150-25920 | 7 | 12 |
| 129150-32020 | 9 | 14 |
| | 18 | 3 |
| 129150-35041 | 9 | 18 |
| | 18 | 4 |
| 129150-35101 | 9 | 21 |
| 129150-35111 | 9 | 22 |
| | 18 | 5 |
| 129150-35151 | 9 | 23 |
| 129150-35350 | 9 | 25 |
| 129150-39450 | 9 | 29 |
| 129150-49080 | 11 | 14 |
| 129150-49100 | 11 | 13 |
| 129150-49811 | 10 | 23 |
| | 18 | 28 |

| Parts No. | Fig. No. | Ref. No. |
|--------------|----------|----------|
| 129150-59131 | 14 | 23 |
| 129150-59511 | 15 | 19 |
| 129150-59580 | 14 | 33 |
| 129150-77511 | 5 | 8 |
| | 18 | 30 |
| 129155-11260 | 4 | 25 |
| 129155-11270 | 4 | 26 |
| 129155-42350 | 10 | 16 |
| 129155-49800 | 10 | 22 |
| 129155-51020 | 12 | 4 |
| 129155-51050 | 12 | 6 |
| 129155-51060 | 12 | 7 |
| 129155-51140 | 12 | 12 |
| 129155-51180 | 12 | 14 |
| 129155-51200 | 12 | 16 |
| 129155-51270 | 12 | 23 |
| 129155-51280 | 12 | 24 |
| | 13 | 2 |
| 129155-51320 | 12 | 28 |
| 129155-51340 | 12 | 29 |
| 129155-51370 | 12 | 32 |
| 129155-51380 | 12 | 33 |
| 129155-51390 | 12 | 34 |
| 129155-51400 | 12 | 35 |
| 129155-51410 | 12 | 36 |
| 129155-51420 | 12 | 37 |
| 129155-51450 | 12 | 38 |
| 129155-51500 | 12 | 43 |
| 129155-51521 | 12 | 44 |
| 129155-51530 | 12 | 45 |
| 129155-51540 | 12 | 46 |
| 129155-51550 | 12 | 47 |
| 129155-51570 | 12 | 50 |
| 129155-51580 | 12 | 51 |
| 129155-51591 | 12 | 52 |
| 129155-51600 | 12 | 53 |
| 129155-51700 | 12 | 72 |
| 129155-51710 | 12 | 73 |
| 129155-51750 | 12 | 74 |
| 129155-51760 | 12 | 75 |
| 129155-51790 | 12 | 76 |
| 129155-51930 | 12 | 78 |
| 129155-51940 | 12 | 79 |
| 129155-52050 | 12 | 92 |
| 129155-61120 | 13 | 7 |
| 129155-61130 | 13 | 8 |
| 129155-61140 | 13 | 9 |
| 129155-61341 | 13 | 14 |
| 129155-61350 | 13 | 73 |
| 129155-61360 | 13 | 74 |

| Parts No. | Fig. No. | Ref. No. |
|--------------|----------|----------|
| 129155-61430 | 13 | 18 |
| 129155-61450 | 13 | 22 |
| 129155-61460 | 13 | 23 |
| 129155-61470 | 13 | 77 |
| 129155-61480 | 13 | 24 |
| 129155-61830 | 13 | 75 |
| 129155-61950 | 13 | 56 |
| 129156-51910 | 12 | 77 |
| 129188-08100 | 11 | 1 |
| 129188-44950 | 11 | 6 |
| 129188-44960 | 11 | 7 |
| 129188-44970 | 11 | 8 |
| 129188-44980 | 11 | 9 |
| 129202-22300 | 8 | 21 |
| 129211-44940 | 11 | 5 |
| 129211-49020 | 11 | 11 |
| 129219-03100 | 4 | 1 |
| 129219-12100 | 5 | 3 |
| 129219-12700 | 5 | 2 |
| 129350-49560 | 10 | 20 |
| 129400-01520 | 2 | 4 |
| 129400-92420 | 18 | 34 |
| 129410-03990 | 4 | 41 |
| 129412-61500 | 13 | 30 |
| 129420-44510 | 11 | 19 |
| 129477-61720 | 13 | 79 |
| 129486-01670 | 3 | 18 |
| 129500-61650 | 13 | 78 |
| 129506-51100 | 12 | 9 |
| 129550-49090 | 11 | 13 -1 |
| 129795-01780 | 3 | 17 |
| 129795-01800 | 2 | 3 |
| 129795-01950 | 2 | 9 |
| 129795-02411 | 1 | 13 |
| 129795-11120 | 4 | 15 |
| 129795-11180 | 4 | 16 |
| 129795-21661 | 8 | 9 |
| 129795-49551 | 10 | 21 |
| | 18 | 27 |
| 158552-61900 | 13 | 65 -1 |
| 171051-01921 | 1 | 5 |
| 171301-01640 | 3 | 8 |
| 171301-49010 | 11 | 10 |
| 171340-21590 | 8 | 12 |
| 171340-44740 | 10 | 17 |
| 171353-44760 | 10 | 18 |
| 171420-01600 | 3 | 2 |
| 171420-34820 | 9 | 16 |
| 171488-61200 | 13 | 10 |
| 171488-61440 | 13 | 76 -1 |

| Parts No. | Fig. No. | Ref. No. |
|--------------|----------|----------|
| 174307-51170 | 12 | 13 |
| 174307-51560 | 12 | 49 |
| 174307-51700 | 13 | 31 |
| 22117-040000 | 13 | 58 |
| 22190-060002 | 13 | 59 |
| 22190-080002 | 2 | 22 |
| | | 23 |
| | 18 | 7 |
| 22190-100002 | 13 | 60 |
| 22190-120002 | 13 | 61 |
| | 15 | 18 |
| | 18 | 29 |
| 22190-160002 | 12 | 89 |
| 22217-050000 | 12 | 80 |
| 22217-060000 | 12 | 81 |
| 22217-120000 | 7 | 15 |
| 22252-000260 | 8 | 22 |
| 22287-120000 | 13 | 62 |
| 22351-040010 | 8 | 7 |
| 22351-050010 | 12 | 82 |
| 22351-060012 | 4 | 38 |
| 22372-040000 | 13 | 63 |
| 22512-070140 | 7 | 7 |
| | 8 | 5 |
| 23010-038000 | 11 | 12 |
| 23414-080000 | 9 | 35 |
| | 18 | 9 |
| 23414-100000 | 9 | 36 |
| | 18 | 10 |
| 23414-120000 | 14 | 43 |
| | 18 | 31 |
| 23418-060000 | 15 | 34 |
| 23871-010000 | 1 | 9 |
| 23871-030000 | 10 | 13 |
| 23887-100002 | 13 | 64 |
| 24101-063034 | 12 | 83 |
| 24311-000120 | 4 | 40 |
| | 18 | 32 |
| 24311-000160 | 2 | 12 |
| | 9 | 26 |
| | 15 | 11 |
| | 18 | 11 |
| 24311-000320 | 2 | 13 |
| | 4 | 54 |
| | 18 | 15 |
| 24311-240100 | 15 | 12 |
| | | 35 |
| 24321-000300 | 10 | 30 |
| | 18 | 33 |
| 24321-000650 | 15 | 13 |

Parts No. Index

| Parts No. | Fig. No. | Ref. No. |
|--------------|----------|----------|
| 24341-000160 | 12 | 84 |
| 24341-000240 | 2 | 25 |
| | 18 | 13 |
| 24341-000250 | 3 | 10 |
| | 18 | 14 |
| 24341-000280 | 13 | 65 |
| 24341-000500 | 4 | 50 |
| | 18 | 12 |
| 25132-003800 | 10 | 15 |
| 26014-080252 | 17 | 26 |
| 26014-080702 | 15 | 14 |
| 26022-050102 | 12 | 85 |
| 26022-060162 | 12 | 86 |
| 26106-060102 | 13 | 66 |
| | | 67 |
| | | 68 |
| 26106-060142 | 13 | 69 |
| 26106-060162 | 2 | 26 |
| 26106-060202 | 13 | 70 |
| 26106-060352 | 10 | 19 |
| 26106-080122 | 2 | 14 |
| 26106-080142 | 4 | 3 |
| | 7 | 17 |
| 26106-080162 | 2 | 15 |
| | | 16 |
| | 3 | 11 |
| | 4 | 51 |
| | 10 | 31 |
| 26106-080202 | 2 | 17 |
| | 5 | 5 |
| | 9 | 27 |
| | 10 | 25 |
| 26106-080252 | 3 | 12 |
| | 4 | 36 |
| 26106-080352 | 3 | 19 |
| | 5 | 9 |
| | 9 | 20 |
| 26106-080452 | 2 | 18 |
| | 3 | 13 |
| | | 13 -1 |
| | 7 | 13 |
| 26106-080502 | 3 | 21 |
| | 4 | 37 |
| | 17 | 27 |
| 26106-080552 | 2 | 19 |
| 26106-080602 | 10 | 14 |
| 26106-080802 | 5 | 6 |
| | 6 | 4 |
| 26106-080852 | 2 | 20 |
| 26116-050302 | 12 | 87 |

| Parts No. | Fig. No. | Ref. No. |
|--------------|----------|----------|
| 26116-120252 | 16 | 35 |
| 26206-100252 | 3 | 4 |
| 26206-100302 | 3 | 5 |
| 26216-060202 | 4 | 11 |
| 26216-080222 | 6 | 5 |
| 26216-080802 | 6 | 6 |
| 26226-080182 | 4 | 35 |
| 26366-060002 | 4 | 39 |
| 26366-080002 | 2 | 21 |
| | 6 | 3 |
| | 13 | 81 |
| | 17 | 24 |
| 26450-060252 | 9 | 15 |
| 26687-120002 | 13 | 82 |
| 26716-060002 | 12 | 88 |
| 26716-120002 | 7 | 16 |
| 26756-060002 | 13 | 71 |
| 26776-120002 | 13 | 72 |
| 27231-500000 | 1 | 10 |
| 27241-120000 | 1 | 11 |
| 27241-300000 | 1 | 12 |
| 27241-400000 | 4 | 12 |
| 27310-080001 | 4 | 17 |
| 719810-01500 | 2 | 1 |
| 719810-53100 | 14 | 1 |
| 729001-01560 | 1 | 1 |
| 729002-51310 | 12 | 1 -1 |
| 729030-92650 | 18 | 1 |
| 729209-51300 | 12 | 1 |
| 729402-23100 | 8 | 23 |
| 977770-01212 | 2 | 27 |
| | 3 | 20 |
| | 18 | 35 |
| X0280210230 | 16 | 11 |
| X0283060061 | 16 | 2 |
| X0283270140 | 16 | 12 |
| X9490561370 | 16 | 4 |
| X9491200240 | 16 | 5 |
| X9491703371 | 16 | 13 |
| X9491730461 | 16 | 26 |

| Parts No. | Fig. No. | Ref. No. |
|-----------|----------|----------|
|-----------|----------|----------|

| Parts No. | Fig. No. | Ref. No. |
|-----------|----------|----------|
|-----------|----------|----------|