

0CD50-M06230EN

P R E F A C E

This parts catalog is the 1st edition of 3TNV80FT-ZMWM for Weidmann.

Published : June, 2020

Contents

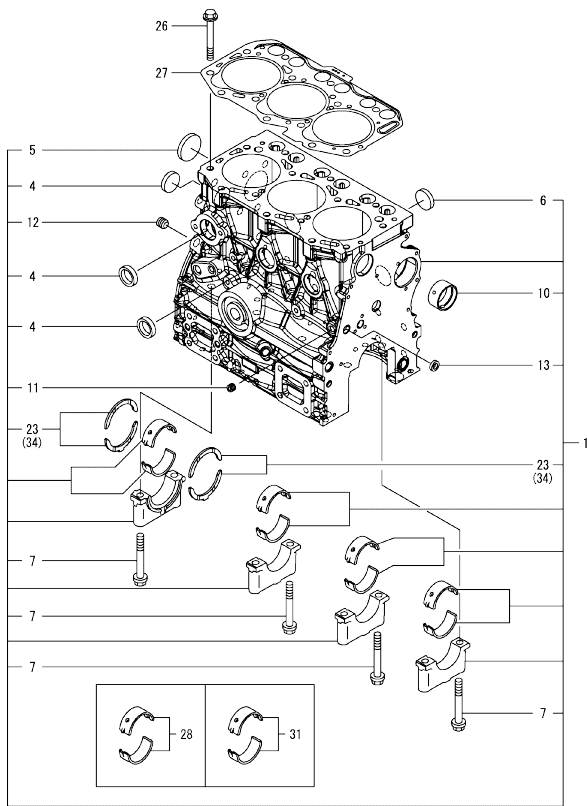
0CD50-M06230

Fig. No.	Fig. Name	Fig. No.	Fig. Name
ENGINE			
1.	CYLINDER BLOCK		
2.	GEAR HOUSING		
3.	FLYWHEEL HOUSING & OIL SUMP		
4.	CYLINDER HEAD & BONNET		
5.	SUCTION MANIFOLD		
6.	EXHAUST MANIFOLD		
7.	CAMSHAFT & DRIVING GEAR		
8.	TURBINE		
9.	CRANKSHAFT & PISTON		
10.	LUB. OIL SYSTEM		
11.	LUB. OIL PIPE		
12.	COOLING WATER SYSTEM		
13.	FUEL INJECTION PUMP		
14.	GOVERNOR		
15.	FUEL INJECTION VALVE		
16.	STARTER MOTOR		
17.	GENERATOR		
18.	ELECTRONIC CONTROL UNIT(ECU)		
19.	ACCESSORY		
20.	GASKET SET		

Fig.1. CYLINDER BLOCK

(A)=3TNV80FT-ZMWM
(B)=
(C)=

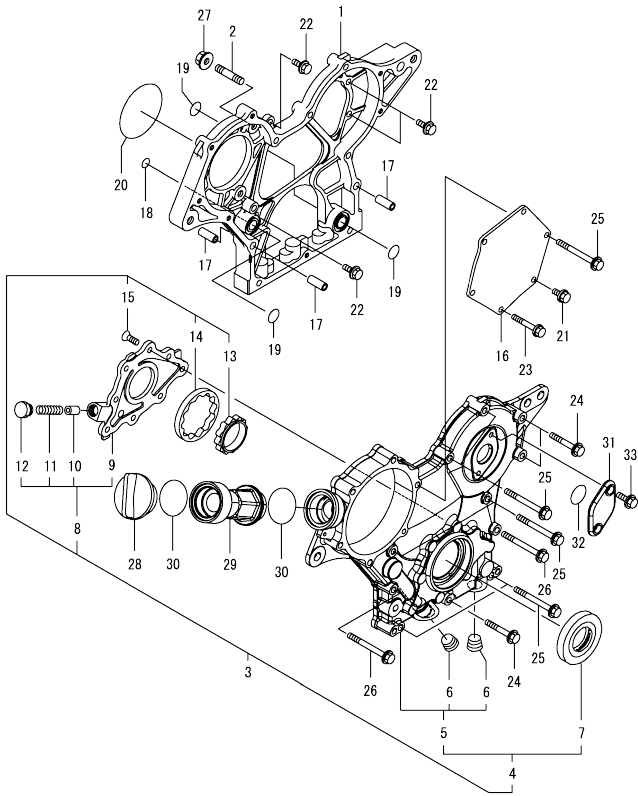
(D)=
(E)=
(F)=



No.	Lev.	Parts No.	Description	Q'ty						I	R
				(A)	(B)	(C)	(D)	(E)	(F)		
1	1	119E11-01150	BLOCK ASSY, CYLINDER	1							
4	2	105311-01090	PLUG, 30	4							
5	2	119623-01250	PLUG, 45	1							
6	2	119285-01990	PLUG, 25	3							
7	2	119620-02020	BOLT, METAL CAP	8							
10	2	119717-02411	BUSH, CAMSHAFT	1							
11	2	124060-01050	PLUG, PT1/8	1							
12	2	124160-01910	PLUG, PT1/4	1							
13	2	27241-120000	PLUG, 12	1							
23	2	119717-02930	METAL ASSY, THRUST	2							
26	1	119810-01200	BOLT, CYLINDER HEAD	14							
27	1	119E10-01330	GASKET SET, HEAD	1							
28	1	719717-02901	METAL ASSY, MAIN	4							1
31	1	719717-02911	METAL ASSY, MAIN .25	4							2
34	1	119810-02941	METAL ASSY, 0.25 OS	2							3

Remarks
 (1)Spare parts.
 (2)Under-sized(U.S.=0.25) parts.
 (3)Over-sized(O.S.=0.25) parts.

Fig.2. GEAR HOUSING

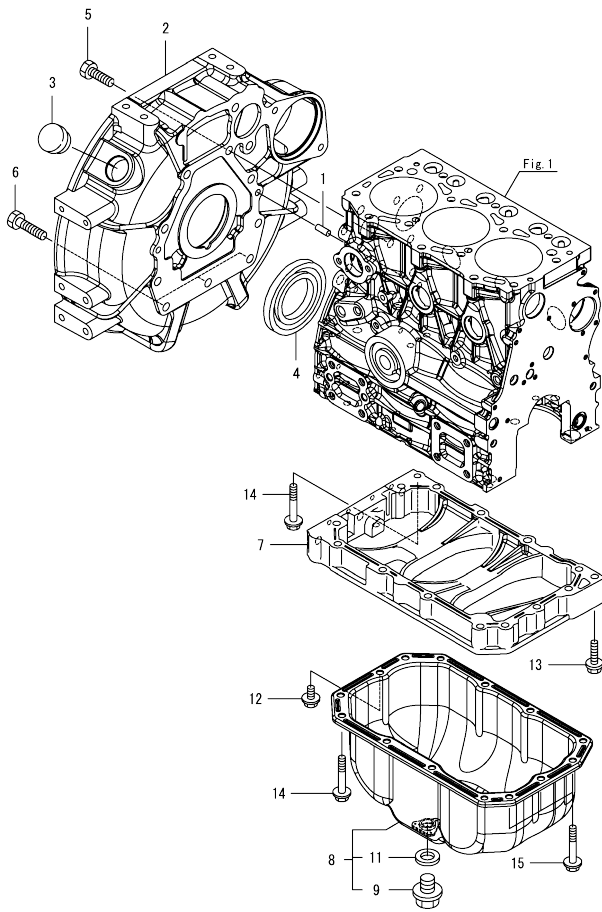


(A)=3TNV80FT-ZMWM
(B)=
(C)=

(D)=
(E)=
(F)=

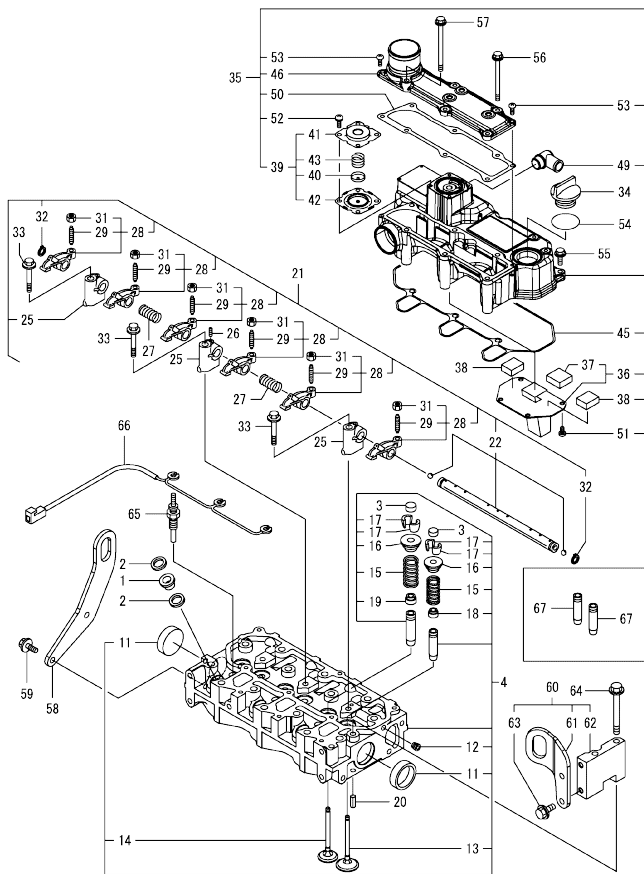
No.	Lev.	Parts No.	Description	Qty						I	R
				(A)	(B)	(C)	(D)	(E)	(F)		
1	1	119717-01501	CASE, GEAR	1							
2	1	119717-01570	STUD	3							
3	1	119734-01580	COVER ASSY, CASE	1							
4	2	719734-01510	COVER ASSY, CASE	1							
5	3	119744-01521	COVER, GEAR CASE	1							
6	4	23876-030000	PLUG, R03	2							
7	3	119717-01800	SEAL, OIL	1							
8	2	119717-32100	COVER ASSY, PUMP	1							
9	3	119717-32080	COVER, OIL PUMP	1							
10	3	129900-32130	VALVE, RELIEF	1							
11	3	129001-32320	SPRING	1							
12	3	129001-32330	PLUG	1							
13	2	119717-32110	ROTOR, INNER	1							
14	2	119717-32120	ROTOR, OUTER	1							
15	2	119802-32130	SCREW, M6X16	8							
16	1	119717-01750	COVER, PUMP	1							
17	1	119660-01911	PIPE, KNOCK 6X17	4							
18	1	119624-32040	O-RING, P12.0	1							
19	1	119717-32050	O-RING, P17.0	3							
20	1	121850-51960	O-RING, FUEL PUMP	1							
21	1	26106-060122	BOLT, M6X 12 PLATED	1							
22	1	26106-060162	BOLT, M6X 16 PLATED	4							
23	1	26106-060402	BOLT, M6X 40 PLATED	4							
24	1	26106-060402	BOLT, M6X 40 PLATED	3							
25	1	26106-060602	BOLT, M6X 60 PLATED	7							
26	1	26106-060652	BOLT, M6X 65 PLATED	2							
27	1	26306-080002	NUT, M8	3							
28	1	124160-01751	CAP, FILLER	1							
29	1	121027-11743	PIPE, FILLER	1							
30	1	24311-000320	O-RING, 1AP32.0	2							
31	1	121023-01551	COVER, TACHOMETER	1							
32	1	24341-000240	O-RING, 1AS24.0	1							
33	1	26106-060162	BOLT, M6X 16 PLATED	2							

Fig.3. FLYWHEEL HOUSING & OIL SUMP



No.	Lev.	Parts No.	Description	Q'ty					
				(A)	(B)	(C)	(D)	(E)	(F)
1	1	129100-01580	PIN, PARALLEL 8X16	2					
2	1	119717-01601	HOUSING, FLYWHEEL	1					
3	1	119620-01750	CAP, WHEEL COVER	1					
4	1	119734-02220	SEAL, OIL WHEEL SIDE	1					
5	1	26206-100252	BOLT, M10X 25 PLATED	8					
6	1	26206-100302	BOLT, M10X 30 PLATED	3					
7	1	119717-01720	SPACER, OIL PAN	1					
8	1	119746-01780	OIL PAN ASSY	1					
9	2	105425-01690	PLUG, DRAIN M16	1					
11	2	22190-160002	WASHER, SEAL 16	1					
12	1	26106-080122	BOLT, M8X 12 PLATED	1					
13	1	26106-080302	BOLT, M8X 30 PLATED	1					
14	1	26106-080452	BOLT, M8X 45 PLATED	11					
15	1	26106-080502	BOLT, M8X 50 PLATED	3					

Fig.4. CYLINDER HEAD & BONNET



(A)=3TNV80FT-ZMWM
(B)=
(C)=

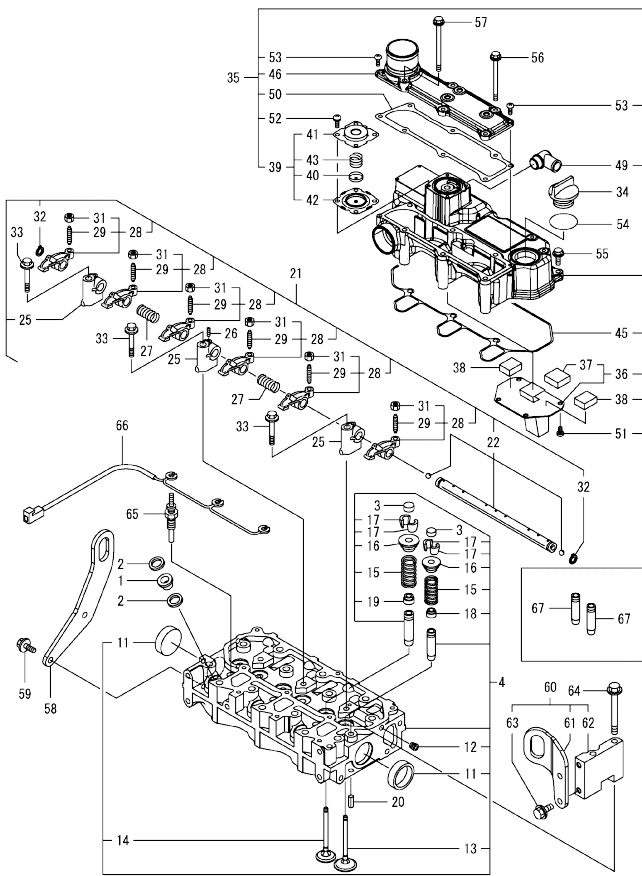
(D)=
(E)=
(F)=

No.	Lev.	Parts No.	Description	(A)	(B)	(C)	(D)	(E)	(F)	I	R
1	1	129901-11450	PROTECTOR, NOZZLE	3							
2	1	119600-11460	GASKET, NOZZLE	6							
3	1	105010-11490	CAP, VALVE	6							
4	1	119E11-11740	HEAD ASSY, CYLINDER	1							
11	2	119285-11990	PLUG, 35	2							
12	2	23876-005000	PLUG, R005	1							
13	2	119E10-11100	VALVE, INTAKE	3							
14	2	119E10-11110	VALVE, EXHAUST	3							
15	2	119717-11131	SPRING, VALVE	6							
16	2	129508-11180	RETAINER, SPRING	6							
17	2	119717-11190	COTTER, VALVE	12							
18	2	119717-11340	SEAL, VALVE STEM	3							
19	2	119717-11350	SEAL, VALVE STEM	3							
20	1	22351-060012	PIN, SPRING 6.0X12	2							
21	1	119717-11200	SUPPORT ASSY, ROCKER	1							
22	2	119717-11240	SHAFT ASSY, ARM	1							
25	2	119717-11260	SUPPORT, ROCKER ARM	3							
26	2	119260-11270	SCREW	1							
27	2	119620-11280	SPRING, SHAFT	2							
28	2	119717-11650	ARM ASSY, ROCKER INT	6							
29	3	129150-11230	SCREW, VALVE ADJUST	6							
31	3	129150-11750	NUT, M8XP1.0	6							
32	2	22242-000120	RING, 12	2							
33	1	26106-080402	BOLT, M8X 40 PLATED	3							
34	1	124160-01751	CAP, FILLER	1							
35	1	119E11-11390	BONNET ASSY	1							
36	2	119717-03031	PLATE, BAFFLE	1							
37	3	119717-03070	BAFFLE, BREATHER	1							
38	2	119717-03070	BAFFLE, BREATHER	2							
39	2	119802-03100	DIAPHRAGM ASSY	1							
40	3	119802-03110	PLATE, DIAPHRAGM	1							
41	3	119802-03121	COVER, DIAPHRAGM	1							
42	3	119802-03131	DIAPHRAGM, BREATHER	1							
43	3	119802-03141	SPRING, DIAPHRAGM	1							
45	2	119718-11310	GASKET, BONNET	1							
46	2	119E11-11320	COVER ASSY, BONNET	1							
49	2	119100-11330	ELBOW, BREATHER	1							
50	2	119717-11331	GASKET, BONNET COVER	1							
51	2	22857-500100	SCREW, 5X10	4							
52	2	22857-500100	SCREW, 5X10	4							
53	2	22857-500160	SCREW, 5X16	2							
54	1	24311-000320	O-RING, 1AP32.0	1							
55	1	26106-060202	BOLT, M6X 20 PLATED	3							
56	1	26106-060752	BOLT, M6X 75 PLATED	4							
57	1	26106-060852	BOLT, M6X 85 PLATED	2							
58	1	119E33-07900	LIFTER, ENGINE	1							
59	1	26106-080162	BOLT, M8X 16 PLATED	2							
60	1	119E33-07920	LIFTER ASSY	1							
61	2	119034-07900	LIFTER, ENGINE	1							
62	2	119E33-07910	SPACER, RIFTER	1							
63	2	26106-080162	BOLT, M8X 16 PLATED	2							

Remarks
(1)Spare parts.

N:Old ^(REV)/_(REV) New, Q:Old ^(REV)/_(REV) New, R:Old ^(REV)/_(REV) New, S:Old ^(REV)/_(REV) New, W:Add, Z:Discontinued, F:Interchangeable by set, K:Qty Change
++ CONTINUE ++ Copyright (C) 2020 YANMAR GLOBAL CS CO., LTD. All Rights Reserved.

Fig.4. CYLINDER HEAD & BONNET



(A)=3TNV80FT-ZMWM
(B)=
(C)=

(D)=
(E)=
(F)=

No.	Lev.	Parts No.	Description	Q'ty						I	R
				(A)	(B)	(C)	(D)	(E)	(F)		
64	1	26106-080752	BOLT, M8X 75 PLATED	2							
65	1	119717-77801	PLUG, GLOW	3							
66	1	119717-77820	CONNECTOR, GLOW PLUG	1							
67	1	119717-11800	GUIDE, VALVE	6							1

Remarks

(1)Spare parts.

Fig.5. SUCTION MANIFOLD

(A)=3TNV80FT-ZMWM
(B)=
(C)=

(D)=
(E)=
(F)=

No.	Lev.	Parts No.	Description	Q'ty					
				(A)	(B)	(C)	(D)	(E)	(F)
1	1	119E33-12010	HOSE, AIR INTAKE	1					
2	1	23000-048000	CLAMP, 48	1					
3	1	23000-054000	CLAMP, 54	1					

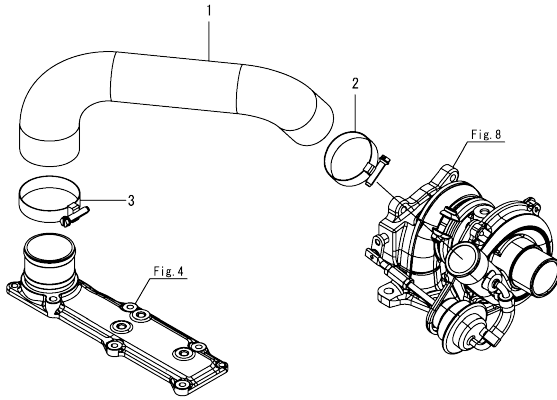


Fig.6. EXHAUST MANIFOLD

(A)=3TNV80FT-ZMWM
(B)=
(C)=

(D)=
(E)=
(F)=

No.	Lev.	Parts No.	Description	Q'ty						I	R
				(A)	(B)	(C)	(D)	(E)	(F)		
1	1	119E11-13100	MANIFOLD, EXHAUST	1							
2	1	119717-13110	GASKET, MANIFOLD	1							
3	1	129E00-13610	BOLT, M8X50 10.9	3							
4	1	119802-13661	BOLT, M8X75 10.9T	3							
5	1	129418-18320	STUD, M8X20	3							

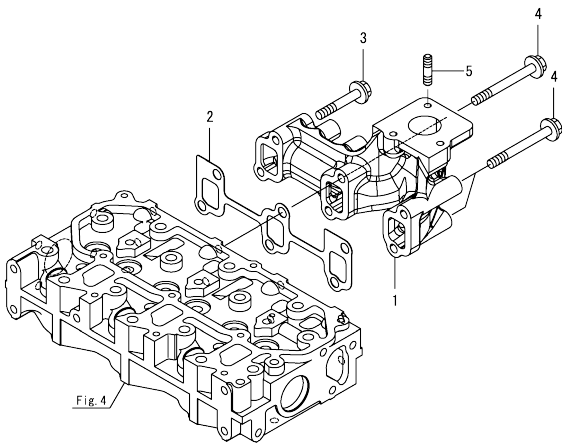
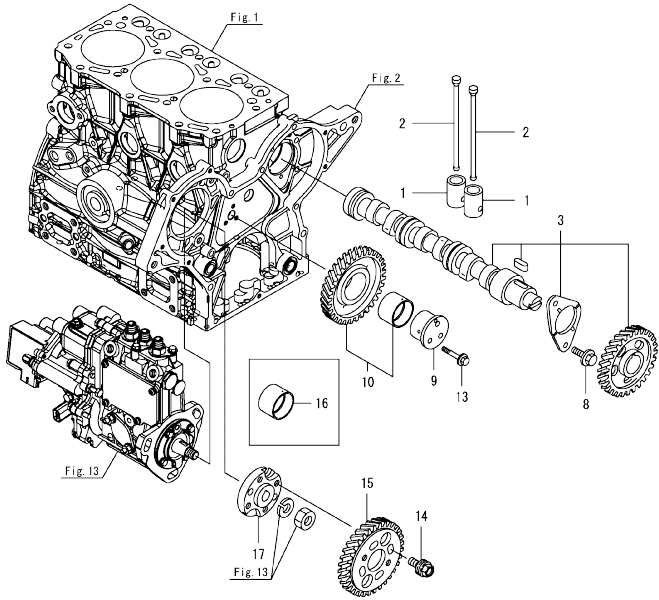


Fig.7. CAMSHAFT & DRIVING GEAR



(A)=3TNV80FT-ZMWM
(B)=
(C)=

(D)=
(E)=
(F)=

No.	Lev.	Parts No.	Description	Q'ty						I	R
				(A)	(B)	(C)	(D)	(E)	(F)		
1	1	119620-14200	TAPPET	6							
2	1	119717-14400	ROD, PUSH	6							
3	1	119717-14581	CAMSHAFT ASSY	1							
8	1	26106-060122	BOLT, M6X 12 PLATED	2							
9	1	119717-25050	SHAFT, IDLE GEAR	1							
10	1	119717-25101	GEAR ASSY, IDLE	1							
13	1	26106-060352	BOLT, M6X 35 PLATED	3							
14	1	129150-25301	BOLT, INJECTION PUMP	4							
15	1	119717-25930	GEAR, PUMP	1							
16	1	119717-25911	BUSH, IDLE GEAR	1							1
17	1	119717-51150	FLANGE, CAMSHAFT	1							

Remarks
(1)Spare parts.

OCD50-M06230 ENGINE
 Fig.8. TURBINE

OCD50-M06230 Fig.8

(A)=3TNV80FT-ZMWM
 (B)=
 (C)=

(D)=
 (E)=
 (F)=

No.	Lev.	Parts No.	Description	Q'ty						I	R
				(A)	(B)	(C)	(D)	(E)	(F)		
1	1	129A01-18011	TURBOCHARGER, RHF3	1							
2	1	129A01-18080	GASKET, TURBINE IN	1							
3	1	119131-18320	STUD, M8X22	4							
4	1	26306-080002	NUT, M8	3							

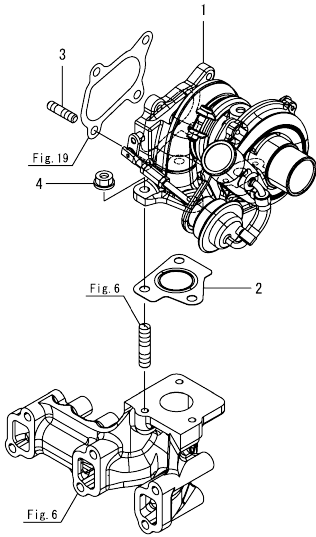
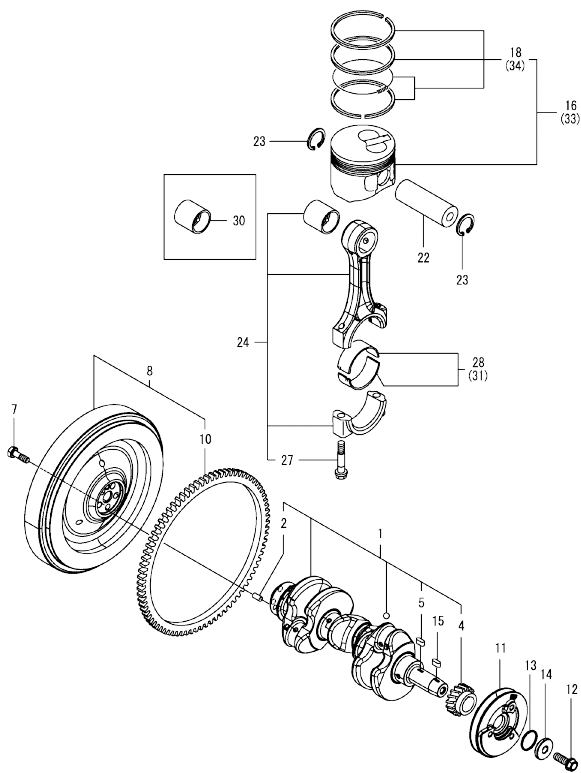


Fig.9. CRANKSHAFT & PISTON



(A)=3TNV80FT-ZMWM
(B)=
(C)=

(D)=
(E)=
(F)=

No.	Lev.	Parts No.	Description	Q'ty						I	R
				(A)	(B)	(C)	(D)	(E)	(F)		
1	1	119E10-21700	CRANKSHAFT ASSY	1							
2	2	129100-01580	PIN, PARALLEL 8X16	1							
4	2	119717-21200	GEAR, CRANKSHAFT	1							
5	2	22512-040120	KEY, 4X 12	1							
7	1	121111-21501	BOLT, FLYWHEEL	5							
8	1	119E10-21590	FLYWHEEL ASSY	1							
10	2	119865-21600	GEAR, RING Z=116	1							
11	1	119C40-21650	V-PULLEY, CRANKSHAFT	1							
12	1	119621-21681	BOLT, FLANGE 12X1.25	1							
13	1	119C10-21931	PACKING, WASHER	1							
14	1	119C10-21940	WASHER, V-PULLEY	1							
15	1	22512-040120	KEY, 4X 12	1							
16	1	119E11-22080	PISTON ASSY	3							
18	2	119E10-22500	RING SET, PISTON	3							
22	1	119E10-22300	PIN, PISTON	3							
23	1	22525-000220	RING, 22	6							
24	1	119E10-23001	ROD ASSY, CONNECTING	3							
27	2	119717-23200	BOLT, CONNECTING ROD	6							
28	1	119717-23601	METAL ASSY, CRANK PIN	3							
30	1	119717-23911	BUSH, PISTON PIN	3							1
31	1	119717-23611	METAL ASSY, PIN .25	3							2
33	1	119E11-22900	PISTON ASSY, 0.25 OS	3							3
34	2	119E10-22550	RING SET, PISTON .25	3							3

Remarks

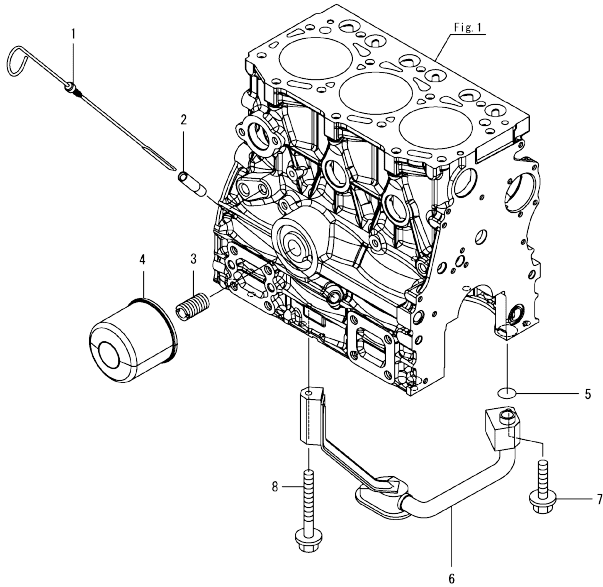
- (1) Spare parts.
- (2) Under-sized (U.S.=0.25) parts.
- (3) Over-sized (O.S.=0.25) parts.

Fig.10. LUB. OIL SYSTEM

(A)=3TNV80FT-ZMWM
(B)=
(C)=

(D)=
(E)=
(F)=

No.	Lev.	Parts No.	Description	Q'ty						I	R
				(A)	(B)	(C)	(D)	(E)	(F)		
1	1	119746-34801	DIPSTICK, OIL	1							
2	1	121520-34810	GUIDE, DIPSTICK	1							
3	1	119717-35140	STUD	1							
4	1	119305-35151	FILTER ASSY, D68XL65	1							1
5	1	119717-32060	O-RING, P15.0	1							
6	1	119744-35070	PIPE ASSY, OIL INLET	1							
7	1	26106-060352	BOLT, M6X 35 PLATED	1							
8	1	26106-060652	BOLT, M6X 65 PLATED	1							

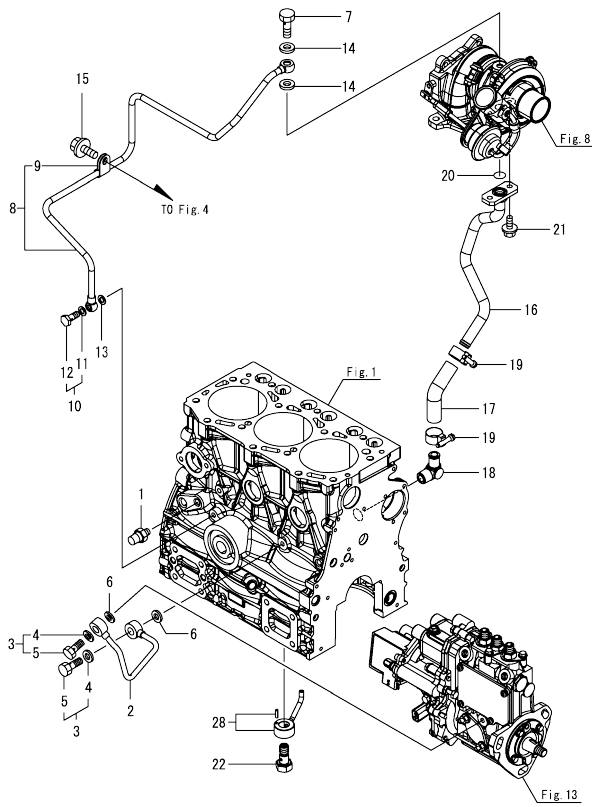


Remarks
(1)Spare parts.

Fig.11. LUB. OIL PIPE

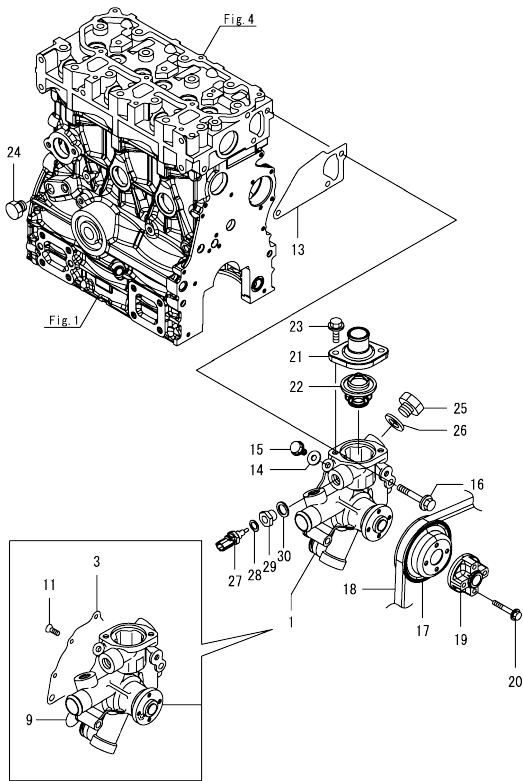
(A)=3TNV80FT-ZMWM
(B)=
(C)=

(D)=
(E)=
(F)=



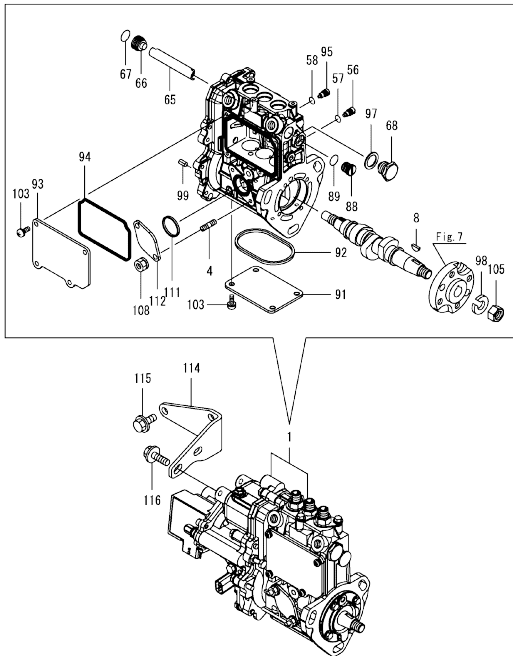
No.	Lev.	Parts No.	Description	Q'ty						I	R
				(A)	(B)	(C)	(D)	(E)	(F)		
1	1	124298-39450	SWITCH, HYDRAULIC	1							
2	1	119717-39210	PIPE, PUMP	1							
3	1	129005-59830	BOLT ASSY, JOINT M8	2							
4	2	22190-080002	WASHER, SEAL 8	2							
5	2	23857-030000	BOLT, JOINT 3	2							
6	1	22190-080002	WASHER, SEAL 8	2							
7	1	121252-39150	BOLT, JOINT M10X1.5	1							
8	1	119E11-39450	PIPE ASSY, LO	1							
9	2	124223-39900	RETAINER	1							
10	1	129005-59830	BOLT ASSY, JOINT M8	1							
11	2	22190-080002	WASHER, SEAL 8	1							
12	2	23857-030000	BOLT, JOINT 3	1							
13	1	22190-080002	WASHER, SEAL 8	1							
14	1	23414-100000	GASKET, 10X1.0	2							
15	1	26106-080122	BOLT, M8X 12 PLATED	1							
16	1	119E11-39600	PIPE, LO RETURN T/C	1							
17	1	129044-39610	JOINT, RUBBER	1							
18	1	129466-49300	ELBOW, PT3/8	1							
19	1	23000-022000	CLAMP, 22	2							
20	1	24316-000160	O-RING, 4DP16.0	1							
21	1	26106-060162	BOLT, M6X 16 PLATED	2							
22	1	119E11-39410	VALVE ASSY, CHECK	3							
28	1	119E11-39660	NOZZLE ASSY, PISTON	3							

Fig.12. COOLING WATER SYSTEM



No.	Lev.	Parts No.	Description	Q'ty						I	R
				(A)	(B)	(C)	(D)	(E)	(F)		
1	1	119751-42004	PUMP ASSY, CW	1							
3	2	119751-42030	GASKET, WATER PUMP	1							
9	2	119C10-42320	O-RING, 2028	1							
11	2	26577-060122	SCREW, M6X12	5							
13	1	119717-42020	GASKET, WATER PUMP	1							
14	1	23414-080000	GASKET, 8X1.0	1							
15	1	26106-080122	BOLT, M8X 12 PLATED	1							
16	1	26106-080502	BOLT, M8X 50 PLATED	3							
17	1	119515-42350	V-PULLEY, PUMP D110	1							
18	1	129612-42370	V-BELT, A39.5	1							
19	1	119256-44760	SPACER, FAN	1							
20	1	26106-060552	BOLT, M6X 55 PLATED	4							
21	1	129350-49530	COVER, THERMOSTAT	1							
22	1	119718-49800	THERMOSTAT, 82C	1							
23	1	26106-080202	BOLT, M8X 20 PLATED	2							
24	1	171056-49120	PLUG, DRAIN R1/4	1							
25	1	121450-42450	PLUG, M16	1							
26	1	124465-44950	GASKET, 16	1							
27	1	129927-44900	SENSOR, TEMPERATURE	1							
28	1	22190-120002	WASHER, SEAL 12	1							
29	1	129974-49350	JOINT, SENSOR	1							
30	1	124465-44950	GASKET, 16	1							

Fig.13. FUEL INJECTION PUMP



(A)=3TNV80FT-ZMWM
(B)=
(C)=

(D)=
(E)=
(F)=

No.	Lev.	Parts No.	Description	Q'ty						I	R
				(A)	(B)	(C)	(D)	(E)	(F)		
1	1	719E33-51310	FIE ASSY	1							1
4	2	129155-51020	STUD	2							
8	2	122710-51090	KEY, FEATHER	1							
56	2	158600-51270	STOPPER, TAPPET	3							
57	2	129155-51280	O-RING, S6	3							
58	2	129155-51280	O-RING, S6	1							
65	2	129155-51400	PROTECTOR	1							
66	2	158600-51410	PLUG, DEFLIFTER M12	1							
67	2	119717-51420	O-RING	1							
68	2	158600-51420	PLUG, DEFLIFTER M16	1							
88	2	158600-51570	PLUG, RACK	1							
89	2	129155-51580	O-RING	1							
91	2	129155-51701	COVER, PUMP BOTTOM	1							
92	2	119717-51711	GASKET, PUMP	1							
93	2	119717-51750	COVER, BODY SIDE	1							
94	2	119717-51761	GASKET, PUMP COVER	1							
95	2	158600-51790	STOPPER, RACK	1							
97	2	22190-160002	WASHER, SEAL 16	1							
98	2	22217-120000	WASHER, SPRING 12	1							
99	2	22351-050010	PIN, SPRING 5.0X10	2							
103	2	26022-050122	SCREW, M5X12	8							
105	2	26716-120002	NUT, M12	1							
108	2	119717-51860	NUT, M6	2							
111	2	129155-52051	GASKET, PUMP COVER	1							
112	2	129100-52200	COVER, FEED PUMP	1							
114	1	119E11-51200	SUPPORT, FOP	1							
115	1	26106-080142	BOLT, M8X 14 PLATED	2							
116	1	26106-080202	BOLT, M8X 20 PLATED	2							

Remarks

(1)Governor(Fig.14) is incorporated in this Fuel Injection Pump(No.1).
Eco pump
Make sure to update the engines ECU information when replacing the Eco pump.
Failing to do so will result in engine malfunction.

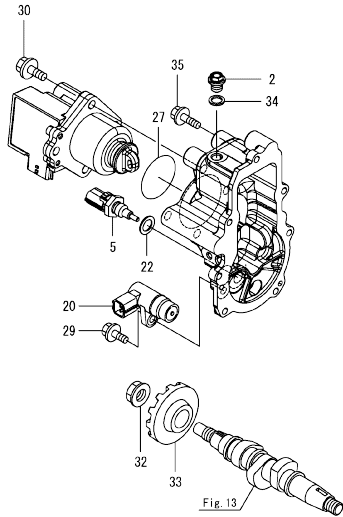
OCD50-M06230 ENGINE
 Fig.14. GOVERNOR

OCD50-M06230 Fig.14

(A)=3TNV80FT-ZMWM
 (B)=
 (C)=

(D)=
 (E)=
 (F)=

No.	Lev.	Parts No.	Description	Q'ty						I	R
				(A)	(B)	(C)	(D)	(E)	(F)		
2	2	119717-51930	PLUG, M10	1							
5	2	119E11-39440	SENSOR, OIL TEMP	1							
20	2	158557-61720	SENSOR, ROTATION	1							
22	2	22190-120002	WASHER, SEAL 12	1							
27	2	24341-000480	O-RING, 1AS48.0	1							
29	2	26106-060162	BOLT, M6X 16 PLATED	1							
30	2	26106-080252	BOLT, M8X 25 PLATED	3							
32	2	129008-61301	NUT, SUPPORT	1							
33	2	119E11-61780	GEAR	1							
34	2	22190-100002	WASHER, SEAL 10	1							
35	2	26106-060202	BOLT, M6X 20 PLATED	7							

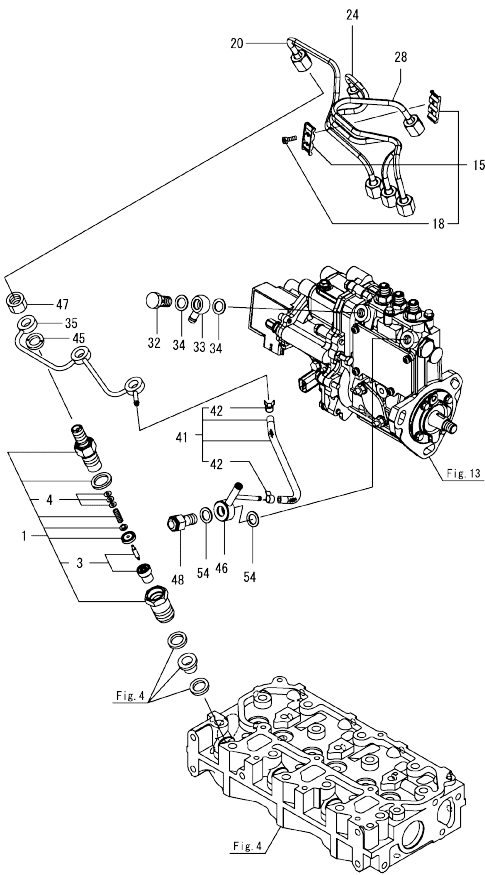


Remarks

* This figure(Governor) is incorporated in the Fuel Injection Pump(Fig.13).

N:Old $\frac{100}{100}$ New, Q:Old $\frac{100}{100}$ New, R:Old $\frac{100}{100}$ New, S:Old $\frac{100}{100}$ New, W:Add, Z:Discontinued, F:Interchangeable by set, K:Q'ty Change
 Copyright (C) 2020 YANMAR GLOBAL CS CO., LTD. All Rights Reserved.

Fig.15. FUEL INJECTION VALVE



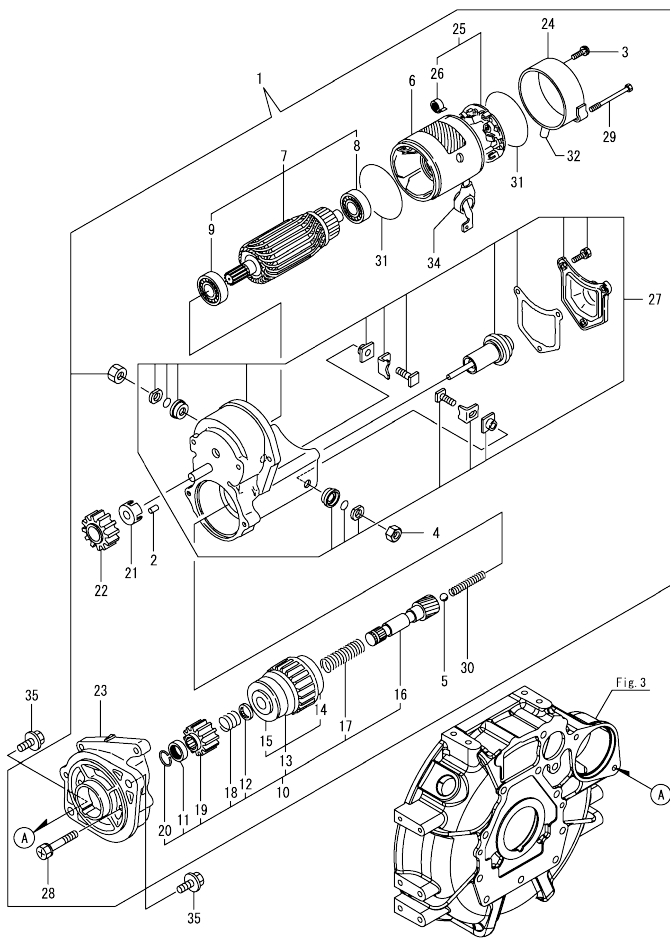
(A)=3TNV80FT-ZMWM
(B)=
(C)=

(D)=
(E)=
(F)=

No.	Lev.	Parts No.	Description	Q'ty						I	R
				(A)	(B)	(C)	(D)	(E)	(F)		
1	1	119C10-53000	VALVE ASSY,INJECTION	3							
3	2	119C10-53010	VALVE ASSY,INJECTION	3							
4	2	129901-53800	SHIM SET, ADJUSTING	3							1
15	1	129150-59120	RETAINER, PIPE	1							
18	2	129150-59131	BOLT, M4X14	2							
20	1	119E10-59810	PIPE ASSY, INJECTION	1							
24	1	119E10-59820	PIPE, INJECTION NO.2	1							
28	1	119E10-59830	PIPE, INJECTION NO.3	1							
32	1	103854-39140	BOLT, PIPE JOINT	1							
33	1	101304-59020	JOINT, PIPE 12	1							
34	1	22190-120002	WASHER, SEAL 12	2							
35	1	119E11-59510	PIPE ASSY, FO RETURN	1							
41	1	119744-59560	HOSE ASSY, RETURN	1							
42	2	124066-59100	CLAMP, HOSE 8	2							
45	1	129901-59560	GASKET, FUEL RETURN	3							
46	1	119740-59590	JOINT, OVERFLOW	1							
47	1	119620-59700	NUT, NOZZLE RETURN	3							
48	1	119813-59950	VALVE ASSY, CHECK	1							
54	1	22190-120002	WASHER, SEAL 12	2							

Remarks
(1)Spare parts.

Fig.16. STARTER MOTOR

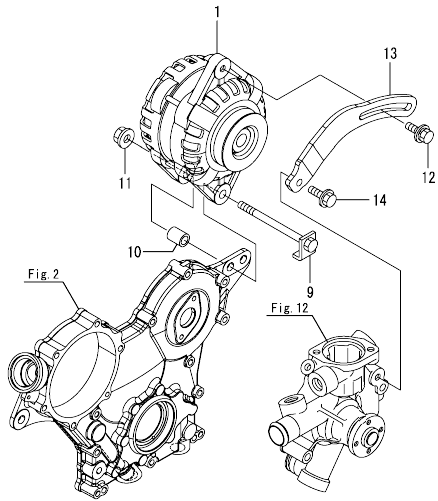
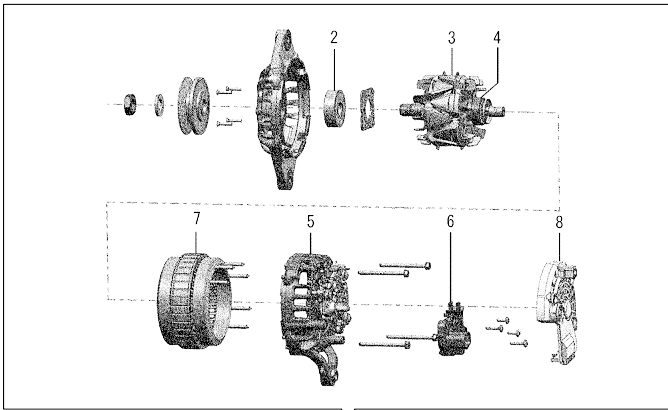


(A)=3TNV80FT-ZMWM
(B)=
(C)=

(D)=
(E)=
(F)=

No.	Lev.	Parts No.	Description	Qty						I	R
				(A)	(B)	(C)	(D)	(E)	(F)		
1	1	119740-77020	STARTER, RA1.4	1							
2	2	X0283060061	ROLLER	5							
3	2	129129-77460	SCREW	2							
4	2	X9490561370	NUT	1							
5	2	X9491200240	BALL, STEEL	1							
6	2	129407-77210	YOKE ASSY	1							
7	2	129407-77220	ARMATURE ASSY	1							
8	3	129129-77230	BEARING, BALL	1							
9	3	129129-77240	BEARING, BALL	1							
10	2	X1280996680	STARTER KIT	1							
11	3	X0280210230	NUT, PINION STOP	1							
12	3	X0283270140	RETAINER, SNAP	1							
13	3	129129-77390	CLUTCH ASSY, STARTER	1							
14	4	129129-77440	BEARING, BALL	1							
15	4	129129-77450	BEARING, BALL	1							
16	3	129129-77400	SHAFT, STARTER	1							
17	3	129129-77410	SPRING, COIL	1							
18	3	129407-77410	SPRING, COIL	1							
19	3	X0283712350	PINION, STARTER	1							
20	3	129129-77430	RING, SNAP	1							
21	2	129129-77260	RETAINER	1							
22	2	129129-77270	PINION	1							
23	2	X4284003310	HOUSING	1							
24	2	129407-77290	FRAME	1							
25	2	129407-77300	HOLDER ASSY	1							
26	3	X9491730461	SPRING, BRUSH	4							
27	2	X1534004151	SWITCH ASSY	1							
28	2	129129-77320	BOLT, W/WASHER	2							
29	2	129407-77330	BOLT	2							
30	2	129129-77340	SPRING	1							
31	2	129129-77350	O-RING	2							
32	2	129129-77362	COVER	1							
34	2	129129-77380	CAP	1							
35	1	26106-100252	BOLT, M10X 25 PLATED	2							

Fig.17. GENERATOR

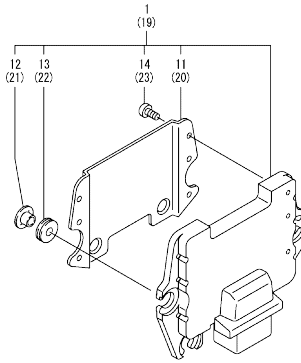


(A)=3TNV80FT-ZMWM
(B)=
(C)=

(D)=
(E)=
(F)=

No.	Lev.	Parts No.	Description	Q'ty					
				(A)	(B)	(C)	(D)	(E)	(F)
1	1	129908-77200	ALTERNATOR,	1					
2	2	129908-77710	BEARING, BALL FR	1					
3	2	129908-77720	ROTOR	1					
4	2	129908-77730	BEARING, BALL RR	1					
5	2	129908-77740	RECTIFIER	1					
6	2	129908-77750	REGULATOR	1					
7	2	129908-77760	STATOR	1					
8	2	129908-77770	PROTECTOR	1					
9	1	129908-77220	BOLT, STOPPER M10	1					
10	1	129908-77360	PIECE, DISTANCE	1					
11	1	26306-100002	NUT, M10	1					
12	1	119810-77340	BOLT, ADJUSTER L=30	1					
13	1	119E33-77360	ADJUSTER	1					
14	1	26106-080202	BOLT, M8X 20 PLATED	1					

Fig.18. ELECTRONIC CONTROL UNIT(ECU)



(A)=3TNV80FT-ZMWM
(B)=
(C)=

(D)=
(E)=
(F)=

No.	Lev.	Parts No.	Description	Q'ty						I	R
				(A)	(B)	(C)	(D)	(E)	(F)		
1	1	119E33-75030	ECU ASSY,380FT-ZMWM2	1							1
11	2	129927-77600	SHIELD, ECU	1							
12	2	129927-77680	COLLAR, CONTROLLER	3							
13	2	119578-91351	RUBBER, CONTROLLER	3							
14	2	22877-500080	SCREW, 5X 8	6							
19	1	129927-75901	ECU ASSY, SERVICE	1							2
20	2	129927-77600	SHIELD, ECU	1							
21	2	129927-77680	COLLAR, CONTROLLER	3							
22	2	119578-91351	RUBBER, CONTROLLER	3							
23	2	22877-500080	SCREW, 5X 8	6							

Remarks
 (1)Eco ECU
 This part cannot be ordered.
 Replace the part using a Service ECU with the proper engine information installed.
 (2)Service ECU
 If the proper information is not installed, the engine will not operate.
 To install proper information, go to an authorized distributor.

Fig.19. ACCESSORY

(A)=3TNV80FT-ZMWM
(B)=
(C)=

(D)=
(E)=
(F)=

No.	Lev.	Parts No.	Description	Q'ty					
				(A)	(B)	(C)	(D)	(E)	(F)
1	1	119E11-03050	JOINT,BREATHER	1					
2	1	172B02-17150	RELAY, CA TYPE C	3					
3	1	119515-13200	GASKET, SILENCER	1					
4	1	129A01-18090	GASKET, TURBINE OUT	1					
5	1	119225-52102	PUMP, FUEL FEED	1					
6	1	129927-91200	SENSOR, PRESSURE	1					

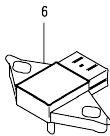
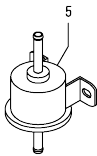
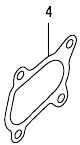
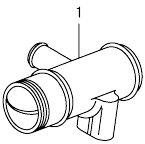
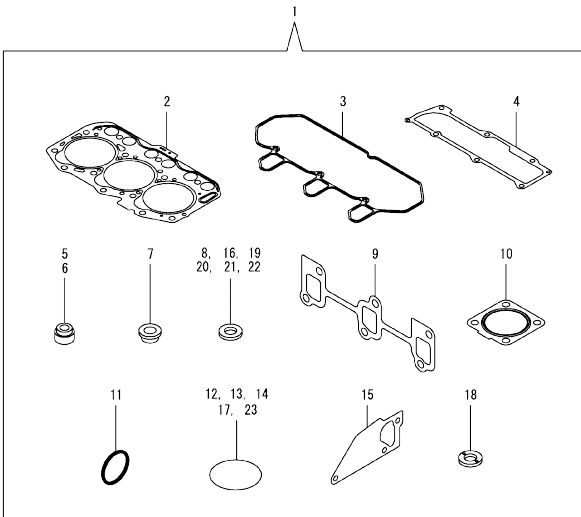


Fig.20. GASKET SET

(A)=3TNV80FT-ZMWM
(B)=
(C)=

(D)=
(E)=
(F)=



No.	Lev.	Parts No.	Description	Q'ty						I	R
				(A)	(B)	(C)	(D)	(E)	(F)		
1	1	119E40-92610	GASKET SET	1							1
2	2	119E10-01330	GASKET SET, HEAD	1							
3	2	119718-11310	GASKET, BONNET	1							
4	2	119717-11331	GASKET, BONNET COVER	1							
5	2	119717-11340	SEAL, VALVE STEM	3							
6	2	119717-11350	SEAL, VALVE STEM	3							
7	2	129901-11450	PROTECTOR, NOZZLE	3							
8	2	119600-11460	GASKET, NOZZLE	6							
9	2	119717-13110	GASKET, MANIFOLD	1							
10	2	119515-13200	GASKET, SILENCER	1							
11	2	119C10-21931	PACKING, WASHER	1							
12	2	119624-32040	O-RING, P12.0	1							
13	2	119717-32050	O-RING, P17.0	3							
14	2	119717-32060	O-RING, P15.0	1							
15	2	119717-42020	GASKET, WATER PUMP	1							
16	2	124465-44950	GASKET, 16	2							
17	2	121850-51960	O-RING, FUEL PUMP	1							
18	2	129901-59560	GASKET, FUEL RETURN	3							
19	2	22190-080002	WASHER, SEAL 8	4							
20	2	22190-120002	WASHER, SEAL 12	4							
21	2	22190-160002	WASHER, SEAL 16	1							
22	2	23414-080000	GASKET, 8X1.0	1							
23	2	24311-000320	O-RING, 1AP32.0	2							

Remarks

(1)Optional parts.

Parts No. Index

Parts No.	Fig. No.	Ref. No.	Parts No.	Fig. No.	Ref. No.	Parts No.	Fig. No.	Ref. No.	Parts No.	Fig. No.	Ref. No.
101304-59020	15	33	119717-11340	20	5	119746-34801	10	1	119E11-61780	14	33
103854-39140	15	32	119717-11350	4	19	119751-42004	12	1	119E33-07900	4	58
105010-11490	4	3		20	6	119751-42030	12	3	119E33-07910	4	62
105311-01090	1	4	119717-11650	4	28	119802-03100	4	39	119E33-07920	4	60
105425-01690	3	9	119717-11800	4	67	119802-03110	4	40	119E33-12010	5	1
119034-07900	4	61	119717-13110	6	2	119802-03121	4	41	119E33-75030	18	1
119100-11330	4	49		20	9	119802-03131	4	42	119E33-77360	17	13
119131-18320	8	3	119717-14400	7	2	119802-03141	4	43	119E40-92610	20	1
119225-52102	19	5	119717-14581	7	3	119802-13661	6	4	121023-01551	2	31
119256-44760	12	19	119717-21200	9	4	119802-32130	2	15	121027-11743	2	29
119260-11270	4	26	119717-23200	9	27	119810-01200	1	26	121111-21501	9	7
119285-01990	1	6	119717-23601	9	28	119810-02941	1	34	121252-39150	11	7
119285-11990	4	11	119717-23611	9	31	119810-77340	17	12	121450-42450	12	25
119305-35151	10	4	119717-23911	9	30	119813-59950	15	48	121520-34810	10	2
119515-13200	19	3	119717-25050	7	9	119865-21600	9	10	121850-51960	2	20
	20	10	119717-25101	7	10	119C10-21931	9	13		20	17
119515-42350	12	17	119717-25911	7	16		20	11	122710-51090	13	8
119578-91351	18	13	119717-25930	7	15	119C10-21940	9	14	124060-01050	1	11
		22	119717-32050	2	19	119C10-42320	12	9	124066-59100	15	42
119600-11460	4	2		20	13	119C10-53000	15	1	124160-01751	2	28
	20	8	119717-32060	10	5	119C10-53010	15	3		4	34
119620-01750	3	3		20	14	119C40-21650	9	11	124160-01910	1	12
119620-02020	1	7	119717-32080	2	9	119E10-01330	1	27	124223-39900	11	9
119620-11280	4	27	119717-32100	2	8		20	2	124298-39450	11	1
119620-14200	7	1	119717-32110	2	13	119E10-11100	4	13	124465-44950	12	26
119620-59700	15	47	119717-32120	2	14	119E10-11110	4	14		20	16
119621-21681	9	12	119717-35140	10	3	119E10-21590	9	8	129001-32320	2	11
119623-01250	1	5	119717-39210	11	2	119E10-21700	9	1	129001-32330	2	12
119624-32040	2	18	119717-42020	12	13	119E10-22300	9	22	129005-59830	11	3
	20	12		20	15	119E10-22500	9	18		10	
119660-01911	2	17	119717-51150	7	17	119E10-22550	9	34	129008-61301	14	32
119717-01501	2	1	119717-51420	13	67	119E10-23001	9	24	129044-39610	11	17
119717-01570	2	2	119717-51711	13	92	119E10-59810	15	20	129100-01580	3	1
119717-01601	3	2	119717-51750	13	93	119E10-59820	15	24		9	2
119717-01720	3	7	119717-51761	13	94	119E10-59830	15	28	129100-52200	13	112
119717-01750	2	16	119717-51860	13	108	119E11-01150	1	1	129129-77230	16	8
119717-01800	2	7	119717-51930	14	2	119E11-03050	19	1	129129-77240	16	9
119717-02411	1	10	119717-77801	4	65	119E11-11320	4	46	129129-77260	16	21
119717-02930	1	23	119717-77820	4	66	119E11-11390	4	35	129129-77270	16	22
119717-03031	4	36	119718-11310	4	45	119E11-11740	4	4	129129-77320	16	28
119717-03070	4	37		20	3	119E11-13100	6	1	129129-77340	16	30
		38	119718-49800	12	22	119E11-22080	9	16	129129-77350	16	31
119717-11131	4	15	119734-01580	2	3	119E11-22900	9	33	129129-77362	16	32
119717-11190	4	17	119734-02220	3	4	119E11-39410	11	22	129129-77380	16	34
119717-11200	4	21	119740-59590	15	46	119E11-39440	14	5	129129-77390	16	13
119717-11240	4	22	119740-77020	16	1	119E11-39450	11	8	129129-77400	16	16
119717-11260	4	25	119744-01521	2	5	119E11-39600	11	16	129129-77410	16	17
119717-11331	4	50	119744-35070	10	6	119E11-39660	11	28	129129-77430	16	20
	20	4	119744-59560	15	41	119E11-51200	13	114	129129-77440	16	14
119717-11340	4	18	119746-01780	3	8	119E11-59510	15	35			

Parts No. Index

Parts No.	Fig. No.	Ref. No.
129129-77450	16	15
129129-77460	16	3
129150-11230	4	29
129150-11750	4	31
129150-25301	7	14
129150-59120	15	15
129150-59131	15	18
129155-51020	13	4
129155-51280	13	57
		58
129155-51400	13	65
129155-51580	13	89
129155-51701	13	91
129155-52051	13	111
129350-49530	12	21
129407-77210	16	6
129407-77220	16	7
129407-77290	16	24
129407-77300	16	25
129407-77330	16	29
129407-77410	16	18
129418-18320	6	5
129466-49300	11	18
129508-11180	4	16
129612-42370	12	18
129900-32130	2	10
129901-11450	4	1
	20	7
129901-53800	15	4
129901-59560	15	45
	20	18
129908-77200	17	1
129908-77220	17	9
129908-77360	17	10
129908-77710	17	2
129908-77720	17	3
129908-77730	17	4
129908-77740	17	5
129908-77750	17	6
129908-77760	17	7
129908-77770	17	8
129927-44900	12	27
129927-75901	18	19
129927-77600	18	11
		20
129927-77680	18	12
		21
129927-91200	19	6
129974-49350	12	29
129A01-18011	8	1

Parts No.	Fig. No.	Ref. No.
129A01-18080	8	2
129A01-18090	19	4
129E00-13610	6	3
158557-61720	14	20
158600-51270	13	56
158600-51410	13	66
158600-51420	13	68
158600-51570	13	88
158600-51790	13	95
171056-49120	12	24
172B02-17150	19	2
22190-080002	11	4
		6
		11
		13
	20	19
22190-100002	14	34
22190-120002	12	28
	14	22
	15	34
		54
	20	20
22190-160002	3	11
	13	97
	20	21
22217-120000	13	98
22242-000120	4	32
22252-000220	9	23
22351-050010	13	99
22351-060012	4	20
22512-040120	9	5
	15	
22857-500100	4	51
		52
22857-500160	4	53
22877-500080	18	14
		23
23000-022000	11	19
23000-048000	5	2
23000-054000	5	3
23414-080000	12	14
	20	22
23414-100000	11	14
23857-030000	11	5
	12	
23876-005000	4	12
23876-030000	2	6
24311-000320	2	30
	4	54
	20	23

Parts No.	Fig. No.	Ref. No.
24316-000160	11	20
24341-000240	2	32
24341-000480	14	27
26022-050122	13	103
26106-060122	2	21
	7	8
26106-060162	2	22
		33
	11	21
	14	29
26106-060202	4	55
	14	35
26106-060352	7	13
	10	7
26106-060402	2	23
		24
26106-060552	12	20
26106-060602	2	25
26106-060652	2	26
	10	8
26106-060752	4	56
26106-060852	4	57
26106-080122	3	12
	11	15
	12	15
26106-080142	13	115
26106-080162	4	59
		63
26106-080202	12	23
	13	116
	17	14
26106-080252	14	30
26106-080302	3	13
26106-080402	4	33
26106-080452	3	14
26106-080502	3	15
	12	16
26106-080752	4	64
26106-100252	16	35
26206-100252	3	5
26206-100302	3	6
26306-080002	2	27
	8	4
26306-100002	17	11
26577-060122	12	11
26716-120002	13	105
27241-120000	1	13
719717-02901	1	28
719717-02911	1	31
719734-01510	2	4

Parts No.	Fig. No.	Ref. No.
719E33-51310	13	1
X0280210230	16	11
X0283060061	16	2
X0283270140	16	12
X0283712350	16	19
X1280996680	16	10
X1534004151	16	27
X4284003310	16	23
X9490561370	16	4
X9491200240	16	5
X9491730461	16	26