

0CD50-M01540EN

P R E F A C E

This parts catalog is the 1st edition of 4TNE94L-BSCKS for Clark Material Handling Asia Inc.

Published : September, 2015

Contents

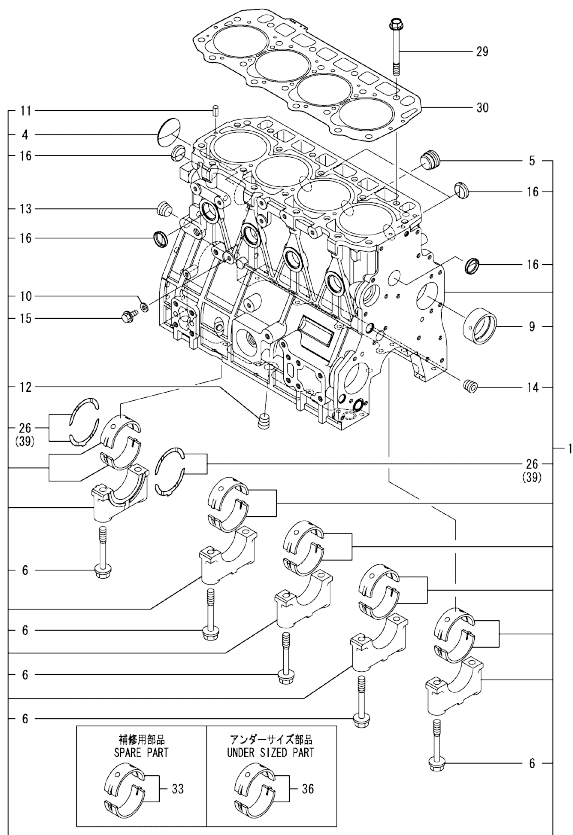
0CD50-M01540

Fig. No.	Fig. Name	Fig. No.	Fig. Name
4TNE94L-BSCKS			
1.	CYLINDER BLOCK		
2.	GEAR HOUSING		
3.	FLYWHEEL HOUSING & OIL SUMP		
4.	CYLINDER HEAD & BONNET		
5.	SUCTION MANIFOLD		
6.	EXHAUST MANIFOLD		
7.	CAMSHAFT & DRIVING GEAR		
8.	CRANKSHAFT & PISTON		
9.	LUB. OIL SYSTEM		
10.	COOLING WATER SYSTEM		
11.	FUEL INJECTION PUMP		
12.	FUEL INJECTION VALVE		
13.	FUEL FILTER		
14.	GENERATOR		
15.	GASKET SET		

Fig.1. CYLINDER BLOCK

(A)=4TNE94L-BSCKS
(B)=
(C)=

(D)=
(E)=
(F)=



No.	Lev.	Parts No.	Description	Q'ty						I	R
				(A)	(B)	(C)	(D)	(E)	(F)		
1	1	72990-01570	BLOCK ASSY, CYLINDER	1							
4	2	12990-01250	PLUG, DISH TYPE 55	1							
5	2	17105-01921	PLUG, NPTF1	1							
6	2	12990-02020	BOLT, METAL CAP	10							
9	2	12990-02410	BUSH, CAMSHAFT	1							
10	2	22190-080002	WASHER, SEAL 8	1							
11	2	22351-060012	PIN, SPRING 6.0X12	2							
12	2	23876-030000	PLUG, R03	1							
13	2	23876-030000	PLUG, R03	1							
14	2	23876-030000	PLUG, R03	1							
15	2	26106-080122	BOLT, M8X 12 PLATED	1							
16	2	27241-300000	PLUG 30	8							
26	2	12990-02931	BEARING ASSY, THRUST	2							
29	1	12990-01200	BOLT, CYLINDER HEAD	18							
30	1	72990-01350	GASKET ASSY, HEAD	1							1
33	1	72990-02801	BEARING, MAIN	5							1
36	1	12990-02341	BEARING ASSY, MAIN	5							2
39	1	12990-02941	BEARING, THRUST 0.25	2							3

Remarks

- (1) Spare parts.
- (2) Under-sized (U.S.=0.25) parts.
- (3) Over-sized (O.S.=0.25) parts.

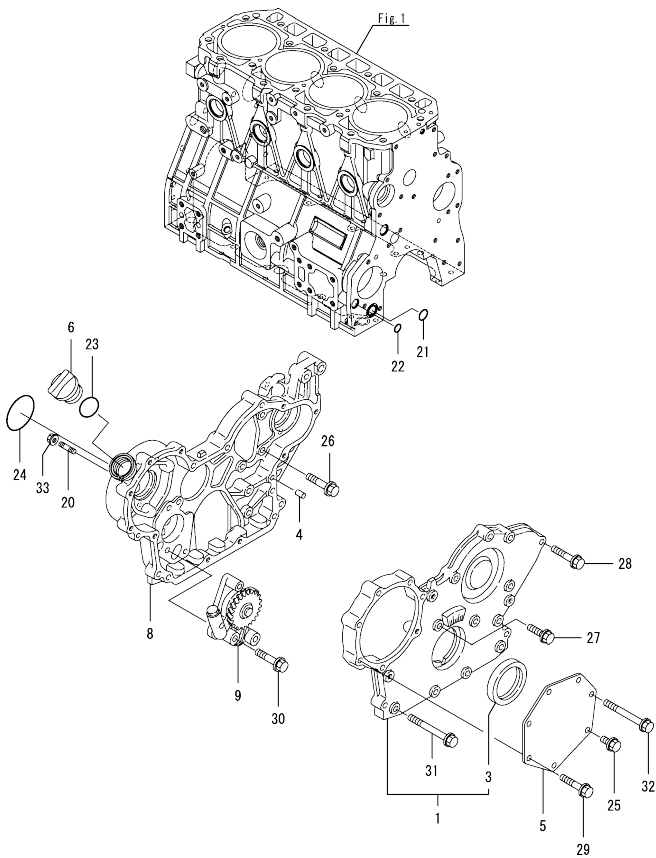
OCD50-M01540 4TNE94L-BSCKS
 Fig.2. GEAR HOUSING

OCD50-M01540 Fig.2

(A)=4TNE94L-BSCKS
 (B)=
 (C)=

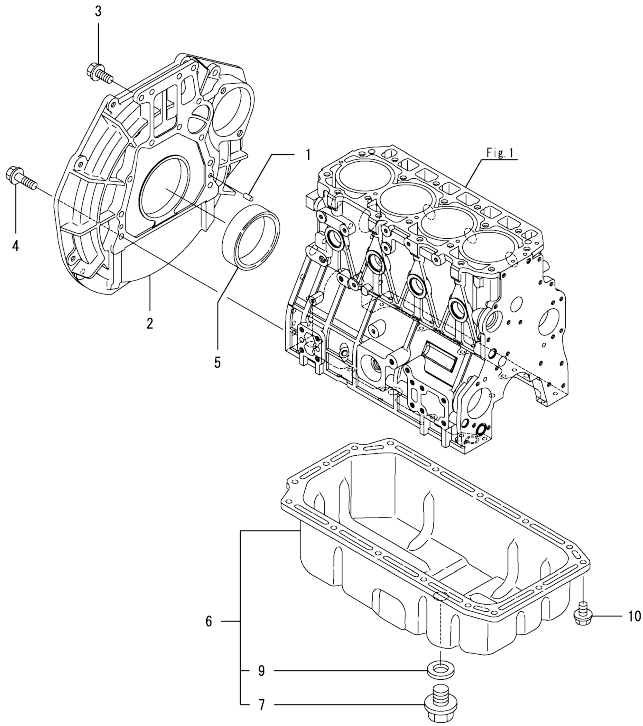
(D)=
 (E)=
 (F)=

No.	Lev.	Parts No.	Description	Q'ty						I	R
				(A)	(B)	(C)	(D)	(E)	(F)		
1	1	129917-01500	COVER ASSY,GEAR CASE	1							
3	2	129916-01800	SEAL, OIL	1							
4	1	129100-01580	PIN, PARALLEL 8X16	4							
5	1	129951-01740	COVER	1							
6	1	124160-01751	CAP, FILLER	1							
8	1	129901-01520	CASE, GEAR	1							
9	1	129900-32001	PUMP ASSY, OIL	1							
20	1	26226-080302	STUD, M8X 30	3							
21	1	129900-32030	O-RING, P20	1							
22	1	129900-32040	O-RING, P14	1							
23	1	24311-000320	O-RING, 1AP32.0	1							
24	1	24341-000500	O-RING, 1AS50.0	1							
25	1	26106-080162	BOLT, M8X 16 PLATED	1							
26	1	26106-080202	BOLT, M8X 20 PLATED	3							
27	1	26106-080302	BOLT, M8X 30 PLATED	1							
28	1	26106-080402	BOLT, M8X 40 PLATED	5							
29	1	26106-080402	BOLT, M8X 40 PLATED	5							
30	1	26106-080452	BOLT, M8X 45 PLATED	3							
31	1	26106-080702	BOLT, M8X 70 PLATED	6							
32	1	26106-080702	BOLT, M8X 70 PLATED	1							
33	1	26306-080002	NUT, M8	3							



N:Old $\frac{100}{100}$ New, Q:Old $\frac{100}{100}$ New, R:Old $\frac{100}{100}$ New, S:Old $\frac{100}{100}$ New, W:Add, Z:Discontinued, F:Interchangeable by set, K:Q'ty Change
 Copyright (C) 2015 YANMAR CO., LTD. All Rights Reserved.

Fig.3. FLYWHEEL HOUSING & OIL SUMP

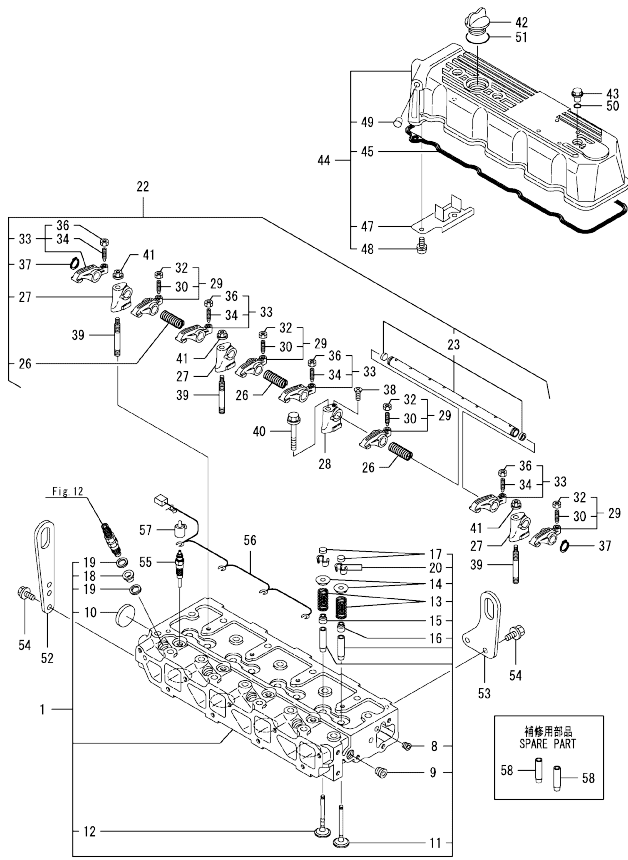


(A)=4TNE94L-BSCKS
(B)=
(C)=

(D)=
(E)=
(F)=

No.	Lev.	Parts No.	Description	Q'ty					
				(A)	(B)	(C)	(D)	(E)	(F)
1	1	129100-01580	PIN, PARALLEL 8X16	2					
2	1	129916-01630	HOUSING, FLYWHEEL	1					
3	1	26206-100202	BOLT, M10X 20 PLATED	4					
4	1	26206-100352	BOLT, M10X 35 PLATED	9					
5	1	124411-01780	SEAL, HTC95X115X12	1					
6	1	129930-01710	OIL PAN ASSY	1					
7	2	119640-01640	PLUG, DRAIN M22	1					
9	2	22190-220002	WASHER, SEAL 22	1					
10	1	26106-080122	BOLT, M8X 12 PLATED	16					

Fig.4. CYLINDER HEAD & BONNET



(A)=4TNE94L-BSCKS
(B)=
(C)=

(D)=
(E)=
(F)=

No.	Lev.	Parts No.	Description	Q'ty						I	R
				(A)	(B)	(C)	(D)	(E)	(F)		
1	1	129931-11700	HEAD ASSY, CYLINDER	1							
8	2	23871-005000	PLUG, R005	1							
9	2	23876-030000	PLUG, R03	1							
10	2	27241-400000	PLUG, 40	1							
11	2	129900-11100	VALVE, SUCTION	4							
12	2	129900-11110	VALVE, EXHAUST	4							
13	2	129900-11120	SPRING, VALVE	8							
14	2	129795-11180	RETAINER, SPRING	8							
15	2	121400-11340	SEAL, VALVE STEM	4							
16	2	124460-11340	SEAL, VALVE STEM	4							
17	2	129150-11370	CAP, VALVE	8							
18	2	129901-11450	PROTECTOR, NOZZLE	4							
19	2	119600-11460	GASKET, NOZZLE	8							
20	2	27310-080001	COTTER, 8	8							
22	1	129900-11200	SUPPORT ASSY, ROCKER	1							
23	2	129900-11240	SHAFT ASSY, ROCKER	1							
26	2	129900-11280	SPRING, ROCKER	3							
27	2	129900-11510	SUPPORT, ROCKER ARM	3							
28	2	129900-11520	SUPPORT, ROCKER ARM	1							
29	2	129900-11650	ARM ASSY, ROCKER	4							
30	3	129150-11230	SCREW, VALVE ADJUST	4							
32	3	129150-11750	NUT, M8	4							
33	2	129900-11660	ARM ASSY, ROCKER	4							
34	3	129150-11230	SCREW, VALVE ADJUST	4							
36	3	129150-11750	NUT, M8	4							
37	2	22242-000180	RING, 18	2							
38	2	26577-040162	SCREW, M4X16	1							
39	1	129900-11530	BOLT, STUD	3							
40	1	26106-100652	BOLT, M10X 65 PLATED	1							
41	1	26306-100002	NUT, M10	3							
42	1	124160-01751	CAP, FILLER	1							
43	1	124160-11360	KNOB	3							
44	1	129900-11370	BONNET ASSY, HEAD	1							
45	2	129900-11310	GASKET, BONNET	1							
47	2	129900-11600	PLATE, BAFFLE	1							
48	2	22857-500100	SCREW, 5X10	2							
49	2	27225-080080	PLUG, 8X 8	1							
50	1	24311-000120	O-RING, 1AP12.0	3							
51	1	24311-000320	O-RING, 1AP32.0	1							
52	1	129900-07900	LIFTER, ENGINE	1							
53	1	129910-07910	LIFTER, ENGINE	1							
54	1	26106-080162	BOLT, M8X 16 PLATED	4							
55	1	119717-77801	PLUG, GLOW	4							
56	1	129931-77820	CONNECTOR, GLOW PLUG	1							
57	1	119326-77820	COVER	4							
58	1	129150-11810	GUIDE, VALVE	8							1

Remarks
(1)Spare parts.

Fig.5. SUCTION MANIFOLD

(A)=4TNE94L-BSCKS
(B)=
(C)=

(D)=
(E)=
(F)=

No.	Lev.	Parts No.	Description	Q'ty						I	R
				(A)	(B)	(C)	(D)	(E)	(F)		
1	1	129900-12050	GASKET, MANIFOLD	1							
2	1	129900-12100	MANIFOLD, AIR INTAKE	1							
3	1	26106-080452	BOLT, M8X 45 PLATED	9							
4	1	121850-77021	GASKET, AIR HEATER	1							
5	1	121959-12140	JOINT, HOSE	1							
6	1	26106-080352	BOLT, M8X 35 PLATED	4							

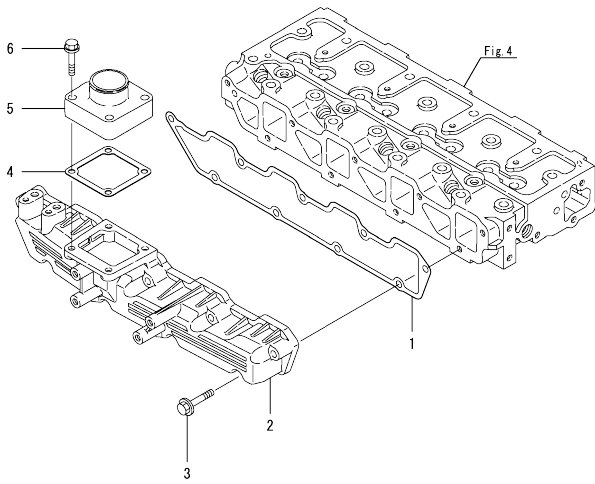


Fig.6. EXHAUST MANIFOLD

(A)=4TNE94L-BSCKS
(B)=
(C)=

(D)=
(E)=
(F)=

No.	Lev.	Parts No.	Description	Q'ty						I	R
				(A)	(B)	(C)	(D)	(E)	(F)		
1	1	119107-13190	BOLT, STUD M10X30	4							
2	1	129916-13210	MANIFOLD, EXHAUST	1							
3	1	129900-13251	GASKET, EXH.MANIFOLD	1							
4	1	123900-13610	BOLT, STUD M8X80	2							
5	1	129E00-13640	BOLT, M8X80 10.9T	6							
6	1	26306-080002	NUT, M8	2							
7	1	128300-13230	GASKET, SILENCER	1							

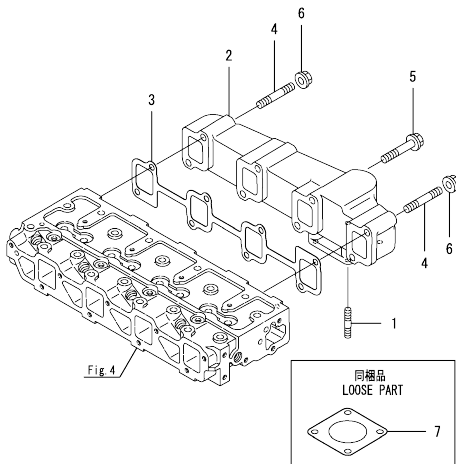
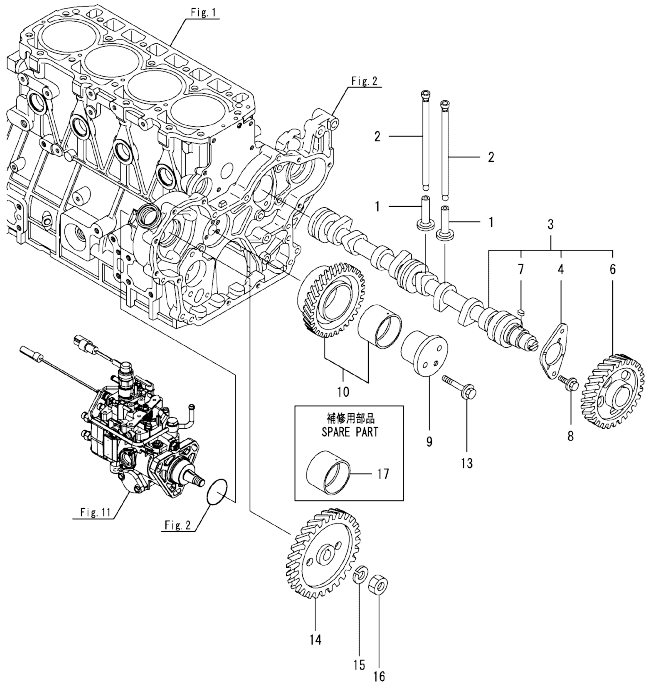


Fig.7. CAMSHAFT & DRIVING GEAR



(A)=4TNE94L-BSCKS
(B)=
(C)=

(D)=
(E)=
(F)=

No.	Lev.	Parts No.	Description	Q'ty						I	R
				(A)	(B)	(C)	(D)	(E)	(F)		
1	1	129150-14200	TAPPET	8							
2	1	129900-14400	PUSH-ROD	8							
3	1	129900-14580	CAMSHAFT ASSY	1							
4	2	129150-02450	BEARING, THRUST	1							
6	2	129900-14100	GEAR, CAMSHAFT	1							
7	2	22512-070140	KEY, 7X 14	1							
8	1	26106-080142	BOLT, M8X 14 PLATED	2							
9	1	129900-25060	SHAFT, IDLE	1							
10	1	129900-25100	GEAR ASSY, IDLE	1							
13	1	26106-080552	BOLT, M8X 55 PLATED	2							
14	1	129901-25900	GEAR, PUMP	1							
15	1	22217-140000	WASHER, SPRING 14	1							
16	1	26776-140002	NUT, LOCK M14	1							
17	1	129150-25920	BUSH, IDLE GEAR	1							1

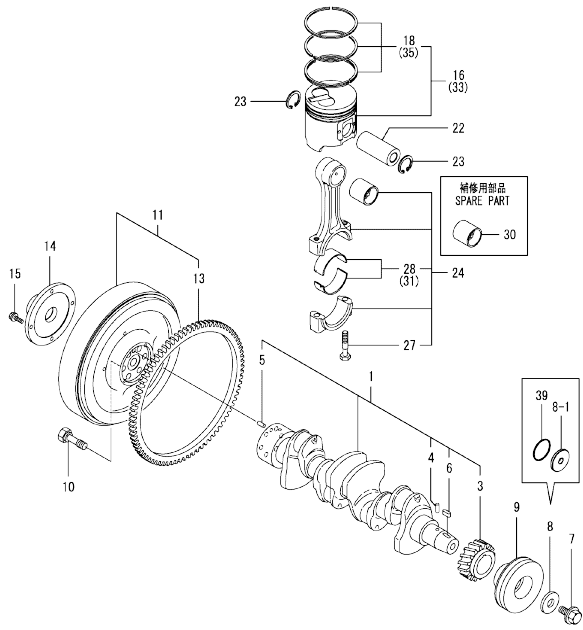
Remarks

(1)Spare parts.

Fig.8. CRANKSHAFT & PISTON

(A)=4TNE94L-BSCKS
(B)=
(C)=

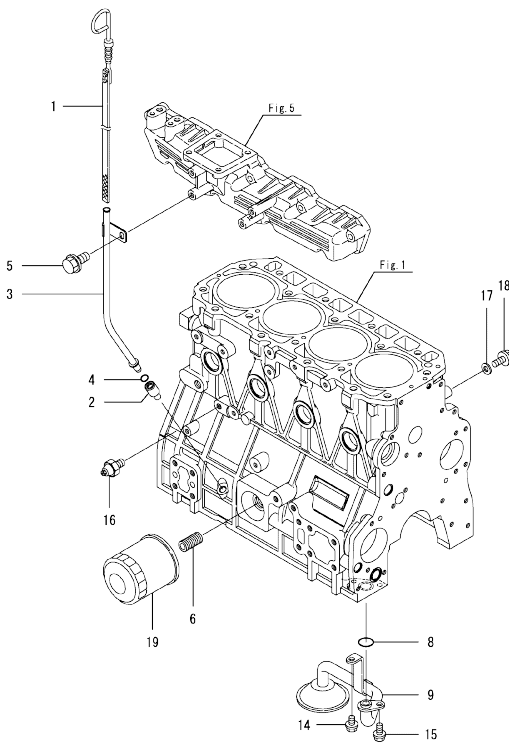
(D)=
(E)=
(F)=



No.	Lev.	Parts No.	Description	Q'ty						I	R
				(A)	(B)	(C)	(D)	(E)	(F)		
1	1	129902-21000	CRANKSHAFT ASSY	1							
3	2	129900-21200	GEAR, CRANKSHAFT	1							
4	2	121850-21290	PIN	1							
5	2	121850-21920	PIN, PARALLEL 10X22	1							
6	2	22512-070140	KEY, 7X 14	1							
7	1	129916-21610	BOLT	1							
8	1	129900-21640	WASHER	1							
8-1	1	129960-21940 (A=EL1070)	WASHER, V-PULLEY	1							N
9	1	129907-21660	V-PULLEY, CRANK 130	1							
10	1	121850-21130	BOLT, FLYWHEEL	6							
11	1	129916-21570	FLYWHEEL ASSY	1							
13	2	129900-21600	GEAR, RING	1							
14	1	129916-21460	FLANGE	1							
15	1	26106-080222	BOLT, M8X 22 PLATED	4							
16	1	129931-22100	PISTON ASSY, IDI	4							
18	2	129901-22050	RING SET, PISTON	4							
22	1	120130-22301	PIN, PISTON	4							
23	1	22252-000300	RING, 30	8							
24	1	129900-23001	ROD ASSY, CONNECTING	4							
27	2	129900-23200	BOLT, CONNECTING ROD	8							
28	2	129900-23601	BEARING, CRANK PIN	4							
30	1	129900-23911	BEARING, PISTON PIN	4							1
31	1	129900-23611	BEARING ASSY, 0.25US	4							2
33	1	129931-22900	PISTON ASSY, 0.25 OS	4							3
35	2	129901-22950	RING SET, 0.25 OS	4							3
39	1	129960-21930 (A=EL1070)	GASKET, WASHER	1							W

Remarks
(1) Spare parts.
(2) Under-sized (U.S.=0.25) parts.
(3) Over-sized (O.S.=0.25) parts.

Fig.9. LUB. OIL SYSTEM



(A)=4TNE94L-BSCKS
(B)=
(C)=

(D)=
(E)=
(F)=

No.	Lev.	Parts No.	Description	Q'ty						I	R
				(A)	(B)	(C)	(D)	(E)	(F)		
1	1	129930-34800	DIPSTICK	1							
2	1	119260-34810	GUIDE, DIPSTICK	1							
3	1	129930-34810	GUIDE, DIPSTICK	1							
4	1	24316-240100	O-RING, 4DP10A	1							
5	1	26106-080162	BOLT, M8X 16 PLATED	1							
6	1	119000-35140	BOLT, STUD FILTER	1							
8	1	129900-32030	O-RING, P20	1							
9	1	129930-35000	PIPE ASSY, OIL INLET	1							
14	1	26106-080122	BOLT, M8X 12 PLATED	1							
15	1	26106-080122	BOLT, M8X 12 PLATED	1							
16	1	121252-39450	SWITCH, HYDRAULIC	1							
17	1	22190-080002	WASHER, SEAL 8	1							
18	1	26106-080122	BOLT, M8X 12 PLATED	1							
19	1	119005-35151	FILTER, D80X100	1							1

Remarks

(1)Spare parts.

Fig.10. COOLING WATER SYSTEM

(A)=4TNE94L-BSCKS
(B)=
(C)=

(D)=
(E)=
(F)=

No.	Lev.	Parts No.	Description	Q'ty						I	R
				(A)	(B)	(C)	(D)	(E)	(F)		
1	1	129900-42056	PUMP ASSY, CW HIGH	1							
13	2	129916-49740	PLUG, R3/8	2							
14	1	129900-42061	GASKET, WATER PUMP	1							
15	1	129900-42070	PIPE, WATER	1							
16	1	129900-42140	O-RING, P36	2							
17	1	26106-080552	BOLT, M8X 55 PLATED	3							
18	1	129900-42462	V-PULLEY, PUMP	1							
19	1	26106-080102	BOLT, M8X 10 PLATED	4							
20	1	25152-004500	V-BELT, A45	1							
21	1	121850-49550	GASKET, THERMOSTAT	1							
22	1	129900-49551	COVER, THERMOSTAT	1							
23	1	129900-49560	GASKET	1							
24	1	121850-49801	THERMOSTAT, 82C	1							
25	1	26106-080252	BOLT, M8X 25 PLATED	2							
26	1	119620-49290	COCK ASSY, 1/4	1							
30	1	121450-42450	PLUG, M16	1							
31	1	129107-44901	SENSOR, WATER TEMP.	1							
32	1	124465-44950	GASKET, 16	2							

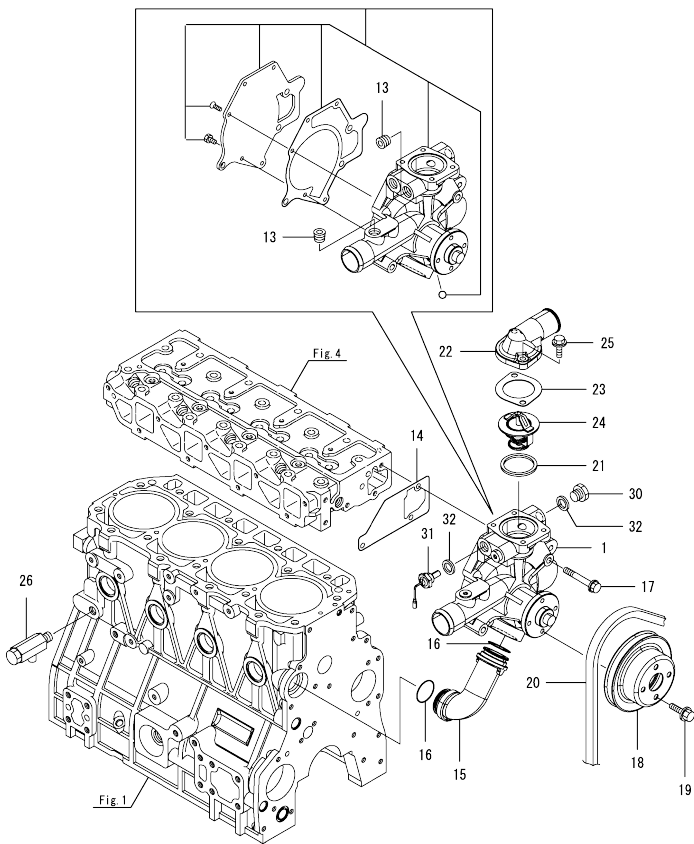
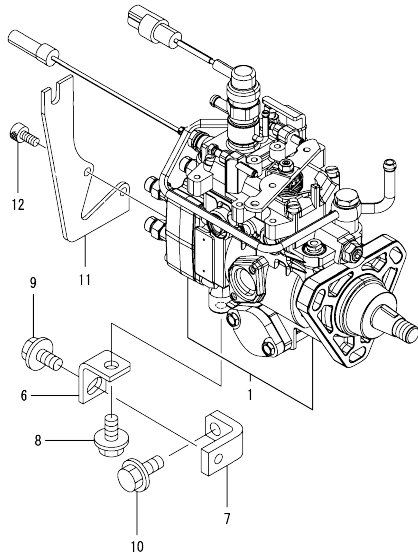


Fig.11. FUEL INJECTION PUMP

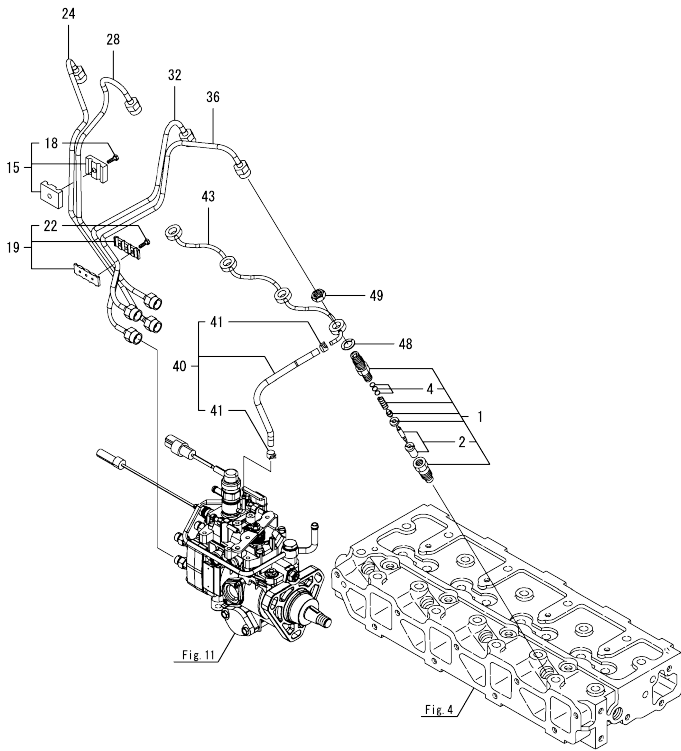


(A)=4TNE94L-BSCKS
(B)=
(C)=

(D)=
(E)=
(F)=

No.	Lev.	Parts No.	Description	Q'ty					
				(A)	(B)	(C)	(D)	(E)	(F)
1	1	129917-51210	PUMP ASSY, FUEL INJ.	1					
6	1	129904-01950	RETAINER, PUMP	1					
7	1	129901-01960	STAY	1					
8	1	26106-100142	BOLT, M10X 14 PLATED	1					
9	1	26106-100162	BOLT, M10X 16 PLATED	1					
10	1	26106-100202	BOLT, M10X 20 PLATED	1					
11	1	129930-67010	BRACKET, WIRE	1					
12	1	26450-060252	BOLT, M6X 25	2					

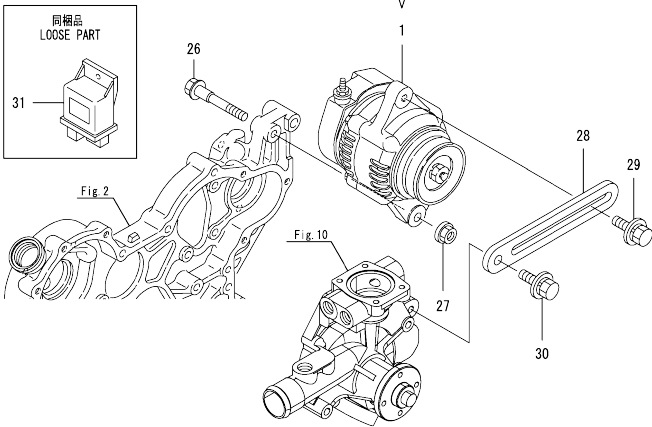
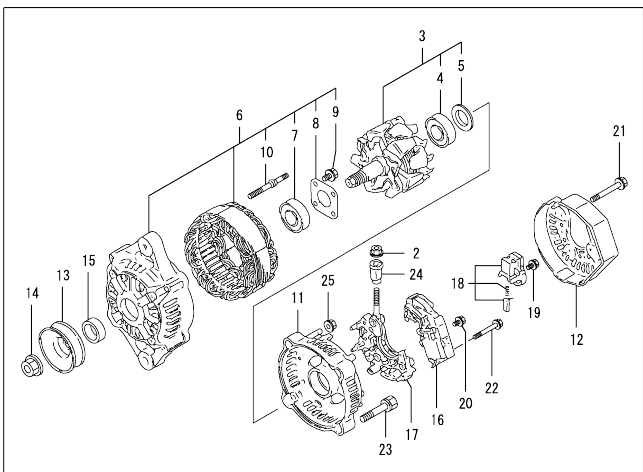
Fig.12. FUEL INJECTION VALVE



(A)=4TNE94L-BSCKS
(B)=
(C)=

(D)=
(E)=
(F)=

No.	Lev.	Parts No.	Description	Q'ty						I	R
				(A)	(B)	(C)	(D)	(E)	(F)		
1	1	129931-53000	VALVE ASSY, INJECTION	4							
2	2	119717-53010	NOZZLE ASSY, F.I.	4							
4	2	129901-53800	SHIM SET, ADJUSTING	4							
15	1	119305-59120	RETAINER, PIPE	2							
18	2	129150-59131	BOLT, M4X14	2							
19	1	129550-59120	RETAINER, PIPE	1							
22	2	129150-59131	BOLT, M4X14	2							
24	1	129901-59810	PIPE ASSY, INJECTION	1							
28	1	129901-59820	PIPE ASSY, INJECTION	1							
32	1	129901-59830	PIPE ASSY, INJECTION	1							
36	1	129901-59840	PIPE ASSY, INJECTION	1							
40	1	105225-59500	HOSE ASSY, RETURN	1							
41	2	124066-59100	CLAMP, HOSE 8	2							
43	1	129901-59510	PIPE ASSY, RETURN	1							
48	1	129901-59560	GASKET	4							
49	1	119620-59700	NUT, NOZZLE	4							

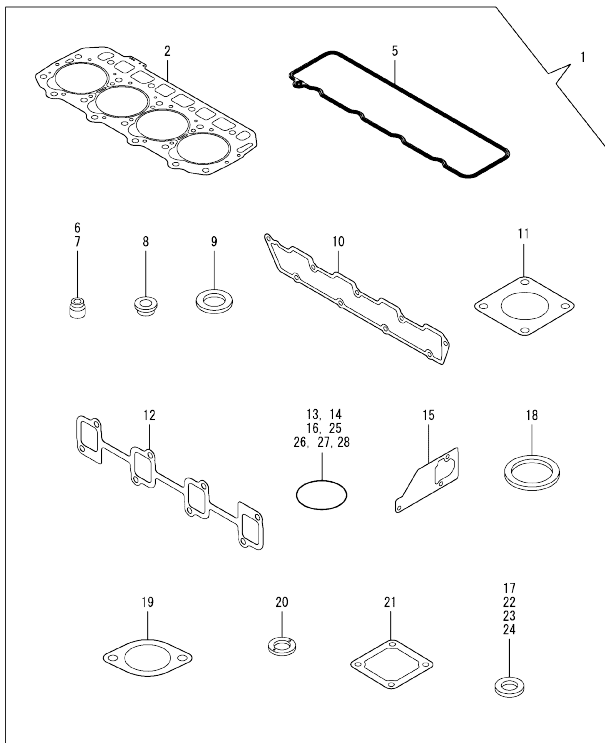


(A)=4TNE94L-BSCKS
 (B)=
 (C)=

(D)=
 (E)=
 (F)=

No.	Lev.	Parts No.	Description	Q'ty						I	R
				(A)	(B)	(C)	(D)	(E)	(F)		
1	1	129961-77200	GENERATOR ASSY, 55A	1							
2	2	X9490561001	NUT	1							
3	2	129052-77380	ROTOR ASSY	1							
4	3	123501-79240	BEARING, BALL	1							
5	3	119620-79250	COVER, BEARING	1							
6	2	129961-77421	FRAME ASSY	1							
7	3	119620-79200	BEARING, BALL	1							
8	3	119620-79210	RETAINER	1							
9	3	119620-79220	SCREW	4							
10	3	119620-79230	BOLT, STUD	2							
11	2	128401-77440	COVER	1							
12	2	128401-77450	COVER, GENERATOR	1							
13	2	119620-77461	PULLEY, GENERATOR	1							
14	2	119620-77471	NUT	1							
15	2	119620-77490	COLLAR	1							
16	2	119620-77710	REGULATOR ASSY	1							
17	2	129052-79260	HOLDER	1							
18	2	129052-79270	HOLDER, BRUSH	1							
19	2	119620-79290	SCREW	6							
20	2	119620-79300	SCREW	1							
21	2	119620-79310	BOLT	3							
22	2	119620-79320	SCREW	2							
23	2	119620-79330	BOLT	2							
24	2	119620-79340	BUSH, INSULATION	1							
25	2	119620-79350	NUT	2							
26	1	129960-77250	BOLT, GENERATOR	1							
27	1	129612-77260	NUT, ALTERNATOR	1							
28	1	129900-77330	ADJUSTER, BELT	1							
29	1	119810-77340	BOLT, ADJUST L=30	1							
30	1	26014-080252	BOLT, M8X 25	1							
31	1	129930-77970	CONTROLLER	1							

Fig.15. GASKET SET



(A)=4TNE94L-BSCKS
(B)=
(C)=

(D)=
(E)=
(F)=

No.	Lev.	Parts No.	Description	Q'ty						I	R	
				(A)	(B)	(C)	(D)	(E)	(F)			
1	1	72990-1-92720	GASKET SET	1							1	
2	2	72990-1-01350	GASKET ASSY, HEAD	1								
5	2	129900-11310	GASKET, BONNET	1								
6	2	121400-11340	SEAL, VALVE STEM	4								
7	2	124460-11340	SEAL, VALVE STEM	4								
8	2	129901-11450	PROTECTOR, NOZZLE	4								
9	2	119600-11460	GASKET, NOZZLE	8								
10	2	129900-12050	GASKET, MANIFOLD	1								
11	2	128300-13230	GASKET, SILENCER	1								
12	2	129900-13251	GASKET, EXH.MANIFOLD	1								
13	2	129900-32030	O-RING, P20	2								
14	2	129900-32040	O-RING, P14	1								
15	2	129900-42061	GASKET, WATER PUMP	1								
16	2	129900-42140	O-RING, P36	2								
17	2	124465-44950	GASKET, 16	2								
18	2	121850-49550	GASKET, THERMOSTAT	1								
19	2	129900-49560	GASKET	1								
20	2	129901-59560	GASKET	4								
21	2	121850-77021	GASKET, AIR HEATER	1								
22	2	22190-080002	WASHER, SEAL 8	2								
23	2	22190-120002	WASHER, SEAL 12	3								
24	2	22190-220002	WASHER, SEAL 22	1								
25	2	24311-000120	O-RING, 1AP12.0	3								
26	2	24311-000320	O-RING, 1AP32.0	2								
27	2	24311-240100	O-RING, 1AP10A	1								
28	2	24341-000500	O-RING, 1AS50.0	1								

Remarks

(1)Optional parts.

Parts No. Index

Parts No.	Fig. No.	Ref. No.	Parts No.	Fig. No.	Ref. No.	Parts No.	Fig. No.	Ref. No.	Parts No.	Fig. No.	Ref. No.
105225-59500	12	40	124160-01751	2	6	129900-11510	4	27	129901-55830	13	4
105430-67110	13	9		4	42	129900-11520	4	28	129901-55840	13	5
114110-07761	13	13	124160-11360	4	43	129900-11530	4	39	129901-55850	13	6
119000-35140	9	6	124411-01780	3	5	129900-11600	4	47	129901-59500	13	8
119005-35151	9	19	124460-11340	4	16	129900-11650	4	29	129901-59510	12	43
119107-13190	6	1		15	7	129900-11660	4	33	129901-59560	12	48
119260-34810	9	2	124465-44950	10	32	129900-12050	5	1		15	20
119305-59120	12	15		15	17		15	10	129901-59810	12	24
119326-77820	4	57	128300-13230	6	7	129900-12100	5	2	129901-59820	12	28
119600-11460	4	19		15	11	129900-13251	6	3	129901-59830	12	32
	15	9	128401-77440	14	11		15	12	129901-59840	12	36
119620-49290	10	26	128401-77450	14	12	129900-14100	7	6	129902-21000	8	1
119620-59700	12	49	129052-55630	13	14	129900-14400	7	2	129904-01950	11	6
119620-77461	14	13	129052-77380	14	3	129900-14580	7	3	129907-21660	8	9
119620-77471	14	14	129052-79260	14	17	129900-21200	8	3	129910-07910	4	53
119620-77490	14	15	129052-79270	14	18	129900-21600	8	13	129916-01630	3	2
119620-77710	14	16	129100-01580	2	4	129900-21640	8	8	129916-01800	2	3
119620-79200	14	7		3	1	129900-23001	8	24	129916-13210	6	2
119620-79210	14	8	129107-44901	10	31	129900-23200	8	27	129916-21460	8	14
119620-79220	14	9	129150-02450	7	4	129900-23601	8	28	129916-21570	8	11
119620-79230	14	10	129150-11230	4	30	129900-23611	8	31	129916-21610	8	7
119620-79250	14	5			34	129900-23911	8	30	129916-49740	10	13
119620-79290	14	19	129150-11370	4	17	129900-25060	7	9	129917-01500	2	1
119620-79300	14	20	129150-11750	4	32	129900-25100	7	10	129917-51210	11	1
119620-79310	14	21			36	129900-32001	2	9	129919-55800	13	1
119620-79320	14	22	129150-11810	4	58	129900-32030	2	21	129919-55810	13	2
119620-79330	14	23	129150-14200	7	1		9	8	129930-01710	3	6
119620-79340	14	24	129150-25920	7	17		15	13	129930-34800	9	1
119620-79350	14	25	129150-59131	12	18	129900-32040	2	22	129930-34810	9	3
119640-01640	3	7			22		15	14	129930-35000	9	9
119717-53010	12	2	129550-59120	12	19	129900-42056	10	1	129930-67010	11	11
119717-77801	4	55	129612-77260	14	27	129900-42061	10	14	129930-77970	14	31
119810-77340	14	29	129795-11180	4	14		15	15	129931-11700	4	1
120130-22301	8	22	129900-01200	1	29	129900-42070	10	15	129931-22100	8	16
121252-39450	9	16	129900-01250	1	4	129900-42140	10	16	129931-22900	8	33
121400-11340	4	15	129900-02020	1	6		15	16	129931-53000	12	1
	15	6	129900-02341	1	36	129900-42462	10	18	129931-77820	4	56
121450-42450	10	30	129900-02410	1	9	129900-49551	10	22	129951-01740	2	5
121850-21130	8	10	129900-02931	1	26	129900-49560	10	23	129960-21930	8	39
121850-21290	8	4	129900-02941	1	39		15	19	129960-21940	8	8 -1
121850-21920	8	5	129900-07900	4	52	129900-77330	14	28	129960-77250	14	26
121850-49550	10	21	129900-11100	4	11	129901-01520	2	8	129961-77200	14	1
	15	18	129900-11110	4	12	129901-01960	11	7	129961-77421	14	6
121850-49801	10	24	129900-11120	4	13	129901-11450	4	18	129E00-13640	6	5
121850-77021	5	4	129900-11200	4	22		15	8	171051-01921	1	5
	15	21	129900-11240	4	23	129901-22050	8	18	198072-04320	13	12
121959-12140	5	5	129900-11280	4	26	129901-22950	8	35	22190-080002	1	10
123501-79240	14	4	129900-11310	4	45	129901-25900	7	14		9	17
123900-13610	6	4		15	5	129901-53800	12	4		15	22
124066-59100	12	41	129900-11370	4	44	129901-55820	13	3		15	23

Parts No. Index

Parts No.	Fig. No.	Ref. No.
22190-220002	3	9
	15	24
22217-140000	7	15
22242-000180	4	37
22252-000300	8	23
22351-060012	1	11
22512-070140	7	7
	8	6
22857-500100	4	48
23000-013000	13	11
23871-005000	4	8
23876-030000	1	12
		13
		14
	4	9
24311-000120	4	50
	15	25
24311-000320	2	23
	4	51
	15	26
24311-240100	15	27
24316-240100	9	4
24341-000500	2	24
	15	28
25152-004500	10	20
26014-080252	14	30
26106-080102	10	19
26106-080122	1	15
	3	10
	9	14
		15
		18
26106-080142	7	8
26106-080162	2	25
	4	54
	9	5
26106-080202	2	26
26106-080222	8	15
26106-080252	10	25
	13	7
26106-080302	2	27
26106-080352	5	6
26106-080402	2	28
		29
26106-080452	2	30
	5	3
26106-080552	7	13
	10	17
26106-080702	2	31
		32

Parts No.	Fig. No.	Ref. No.
26106-100142	11	8
26106-100162	11	9
26106-100202	11	10
26106-100652	4	40
26206-100202	3	3
26206-100352	3	4
26226-080302	2	20
26306-080002	2	33
	6	6
26306-100002	4	41
26450-060252	11	12
26577-040162	4	38
26776-140002	7	16
27225-080080	4	49
27241-300000	1	16
27241-400000	4	10
27310-080001	4	20
729900-02801	1	33
729901-01350	1	30
	15	2
729901-01570	1	1
729901-92720	15	1
X9490561001	14	2

Parts No.	Fig. No.	Ref. No.
-----------	----------	----------

Parts No.	Fig. No.	Ref. No.
-----------	----------	----------