

0CW10-M58200EN

P R E F A C E

1. This parts catalog is the 1st edition of 4TNV98T-PKTF for Tong Yang Moolsan Co.,Ltd.

Pub.No. : 0CW10-G58200

Published : December, 2009

2. Model name

Engine model	Vehicle	Vehicle made by
4TNV98T-PKTF	TRACTOR	Tong Yang Moolsan Co.,Ltd.

Directions for the Parts Catalog.

1. The parts stipulated in this Parts Catalog are not necessarily standard equipped parts.
2. Parts may change without prior notice.
3. The following is an example of the Parts Catalog format.

OCF10-G21601		29. FUEL INJECTION PUMP(W/BOOST)									
REF.	LEV.	PARTS NO.	DESCRIPTION	(A)	(B)	(C)	(D)	(E)	(F)	I	R
1	1	729595-51390	FUEL INJECTION PUMP	1	1	1	1	1			1
1-1	1	729595-51391	FUEL INJECTION PUMP	1	1	1	1	1		N	1
		(A=E00185)	(B=E00200)								
3	2	26022-060162	SCREW M 6X 16	9	9	9	9	9			
3-1	2	26022-060162	SCREW M 6X 16	4	4	4	4	4		K	
		(A=E00156)	(B=E00156)	(C=E00156)	(D=E00156)	(E=E00156)					
4	2	129470-51040	CAMSHAFT	1	1	1	1	1			
5	2	122710-51050	BEARING, ROLLER	2	2	2	2	2			
6	2	129470-51060	RETAINER	1	1	1	1	1			

Remarks
(1) BOOST COMPEMSATOR TYPE. OPTIONAL PART, TO E00155,(4JH-DT, 4JH-DTZ

① Ref. No.

The Ref. No. listed may not be in accordance with the illustration Ref. No.

(Ex.) Illustration No.

List Ref No.

1 1 (Before change) → 1-1 (After change)

For interchangeable symbols N, R and K, illustrations for new parts may be abbreviated.

② Lev. (Level)

Level indication

The numbers below indicate the level of relativity towards the main part.

1 ---- Main parts (Assembly parts)

2 ---- Sub component included in " 1 ".

3 ---- Sub component included in " 2 ".

Note) Parts that are not for sale are partially illustrated but not listed.

③ Interchangeability Mark

When a part change takes place, one of the following interchangeability symbols is indicated beside the part.

Symbol	Interchangeability	Contents note
N	Old $\begin{matrix} \leftarrow \text{Yes} \\ \text{No} \rightarrow \end{matrix}$ New	New Part is interchangeable for Old Part but Old Part is not interchangeable for New Part.
Q	Old $\begin{matrix} \leftarrow \text{No} \\ \text{Yes} \rightarrow \end{matrix}$ New	New Part is not interchangeable for Old Part but Old Part is interchangeable for New Part.
R	Old $\begin{matrix} \leftarrow \text{Yes} \\ \text{Yes} \rightarrow \end{matrix}$ New	New/ Old Parts are both interchangeable.
S	Old $\begin{matrix} \leftarrow \text{No} \\ \text{No} \rightarrow \end{matrix}$ New	New/ Old Parts are both not interchangeable.
W		Part newly added.
Z		Part discontinued.
F		Not interchangeable by a single part but interchangeable together with related parts.
K		Changes only for used parts quantities.

④ Effective Machine No.

When a part changes, the effective Machine No. will be indicated in the (A)-(F) column.

Product Symbol	Product No.	Product Symbol	Product No.
C	Clutch No. Compressor No.	F	Machine No. (Agricultural Equip.)
D	Drive No.	M	Machine No.
E	Engine No.		

Note 1) A date may follow the symbol. (Ex.) 1996.01

Note 2) "XXXXX" and "ZZZZZ" are for parts that could not be predicted or for engine models that could not be identified.

Note 3) (A=E00185) is the E (Engine Serial Number) for the column (A) model (in this case 4JH-DT) after the parts design change.

⑤ Remarks Mark

Figures or alphabets (symbols) are entered in the remarks column.

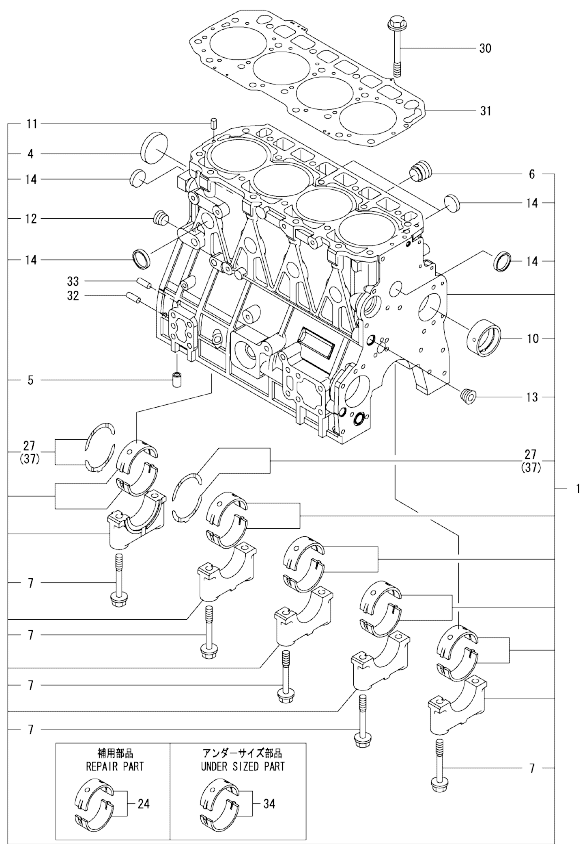
The comments (remarks) on parts that are indicated at the bottom of the illustration are the same symbols as those stated above.

Contents

0CW10-M58200

Fig. No.	Fig. Name	Fig. No.	Fig. Name
4	TNV98T-PKTF		
1.	CYLINDER BLOCK		
2.	GEAR HOUSING		
3.	OIL SUMP		
4.	CYLINDER HEAD & BONNET		
5.	SUCTION MANIFOLD		
6.	EXHAUST MANIFOLD		
7.	CAMSHAFT & DRIVING GEAR		
8.	TURBINE		
9.	CRANKSHAFT & PISTON		
10.	BALANCER		
11.	LUB.OIL SYSTEM		
12.	LUB.OIL LINE		
13.	COOLING WATER SYSTEM		
14.	FUEL INJECTION PUMP		
15.	GOVERNOR		
16.	FUEL INJECTION VALVE		
17.	FUEL LINE		
18.	GENERATOR		
19.	GASKET SET		

Fig.1. CYLINDER BLOCK



(A)=4TNV98T-PKTF
(B)=
(C)=

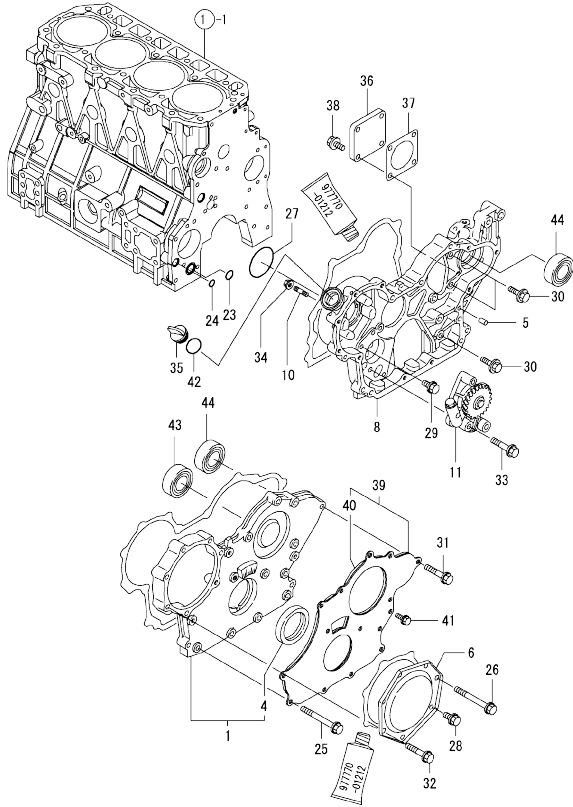
(D)=
(E)=
(F)=

No.	Lev.	Parts No.	Description	Q'ty						I	R
				(A)	(B)	(C)	(D)	(E)	(F)		
1	1	729972-01560	BLOCK ASSY, CYLINDER	1							
4	2	129900-01250	PLUG, DISH TYPE 55	1							
5	2	129956-01710	PIPE, DOWEL L=25	1							
6	2	171051-01921	PLUG, NPTF1	1							
7	2	129900-02020	BOLT, METAL CAP	10							
10	2	129900-02410	BUSH, CAMSHAFT	1							
11	2	22351-060012	PIN, SPRING 6.0X12	2							
12	2	23876-030000	PLUG, R03	1							
13	2	23876-030000	PLUG, R03	1							
14	2	27241-300000	PLUG 30	8							
24	2	729900-02801	BEARING, MAIN	5							1
27	2	129900-02931	BEARING ASSY, THRUST	2							
30	1	129900-01200	BOLT, CYLINDER HEAD	18							
31	1	129907-01331	GASKET, HEAD	1							
32	1	129100-01580	PIN, PARALLEL 8X16	2							
33	1	129100-01580	PIN, PARALLEL 8X16	2							
34	1	129900-02341	BEARING ASSY, MAIN	5							2
37	1	129900-02941	BEARING, THRUST 0.25	2							3

Remarks

- (1)REPAIR PART.
- (2)UNDER SIZED(U.S.=0.25)PART.
- (3)OVER SIZED(O.S.=0.25)PART.

Fig.2. GEAR HOUSING

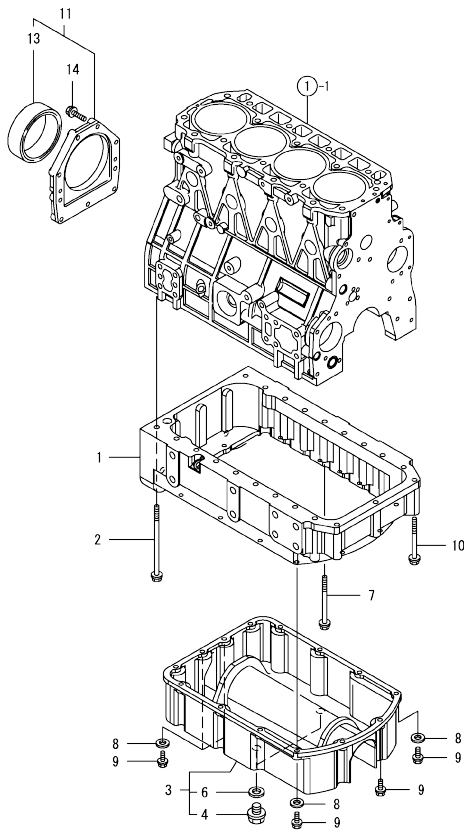


(A)=4TNV98T-PKTF
(B)=
(C)=

(D)=
(E)=
(F)=

No.	Lev.	Parts No.	Description	Qty						I	R	
				(A)	(B)	(C)	(D)	(E)	(F)			
1	1	729906-01550	COVER ASSY,GEAR CASE	1								
4	2	129916-01800	SEAL, OIL	1								1
5	1	129100-01580	PIN, PARALLEL 8X16	4								
6	1	129900-01740	COVER	1								
8	1	129908-01520	CASE, GEAR	1								
10	1	26216-100302	STUD, M10X 30	4								
11	1	129908-32060	PUMP ASSY, OIL	1								
23	1	129900-32030	O-RING, P20	1								
24	1	129900-32040	O-RING, P14	1								
25	1	26106-080702	BOLT, M8X 70 PLATED	6								
26	1	26106-080702	BOLT, M8X 70 PLATED	1								
27	1	24351-030750	O-RING, 1A3075	1								
28	1	26106-080162	BOLT, M8X 16 PLATED	1								
29	1	26106-080162	BOLT, M8X 16 PLATED	1								
30	1	26106-080202	BOLT, M8X 20 PLATED	3								
31	1	26106-080402	BOLT, M8X 40 PLATED	5								
32	1	26106-080402	BOLT, M8X 40 PLATED	5								
33	1	26106-080452	BOLT, M8X 45 PLATED	3								
34	1	26306-100002	NUT, M10	4								
35	1	124160-01751	CAP, FILLER	1								
36	1	124240-01871	COVER, PUMP	1								
37	1	124240-01883	GASKET	1								
38	1	26106-080162	BOLT, M8X 16 PLATED	4								
39	1	129900-01850	COVER ASSY,GEAR CASE	1								
40	2	129900-01870	SPONGE, GEAR CASE	1								
41	1	26106-080162	BOLT, M8X 16 PLATED	3								
42	1	24311-000320	O-RING, 1AP32.0	1								
43	1	129900-14140	BEARING, BALL 6205	1								
44	1	129900-26250	BEARING, BALL 6206C3	2								

Fig.3. OIL SUMP

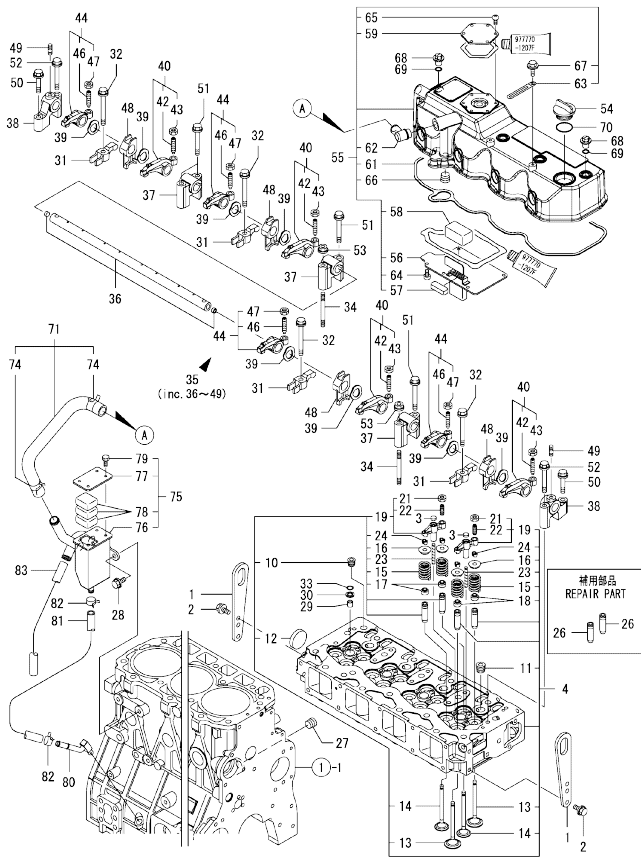


(A)=4TNV98T-PKTF
(B)=
(C)=

(D)=
(E)=
(F)=

No.	Lev.	Parts No.	Description	Q'ty					
				(A)	(B)	(C)	(D)	(E)	(F)
1	1	129956-01730	OIL PAN	1					
2	1	129972-01731	BOLT, M8X150	2					
3	1	129956-01760	COVER ASSY, OIL SUMP	1					
4	2	105425-01690	PLUG, M16	2					
6	2	22190-160002	WASHER, SEAL 16	2					
7	1	129693-44310	BOLT	16					
8	1	22190-080002	WASHER, SEAL 8	4					
9	1	26106-080252	BOLT, M8X 25 PLATED	14					
10	1	26106-080852	BOLT, M8X 85 PLATED	3					
11	1	129956-01640	CASE ASSY, OIL SEAL	1					
13	2	124411-01780	SEAL, HTC95X115X12	1					
14	1	26106-080302	BOLT, M8X 30 PLATED	9					

Fig.4. CYLINDER HEAD & BONNET



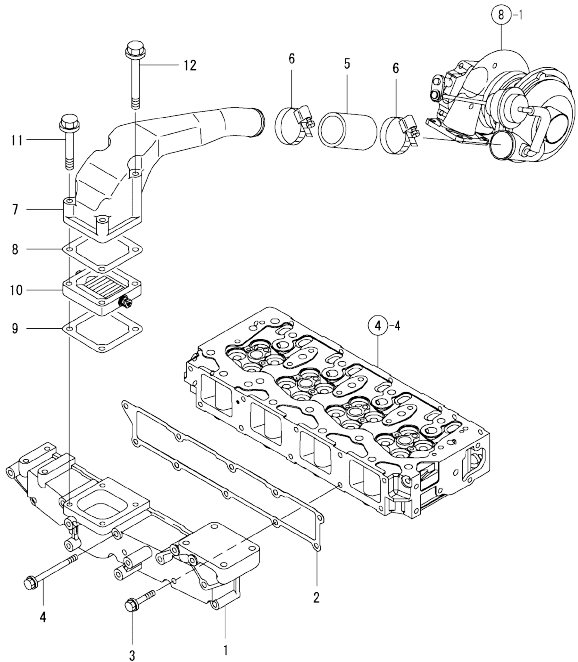
(A)=4TNV98T-PKTF
(B)=
(C)=

(D)=
(E)=
(F)=

No.	Lev.	Parts No.	Description	Q'ty						I	R
				(A)	(B)	(C)	(D)	(E)	(F)		
62	2	119100-11330	ELBOW, BREATHER	1							
63	2	129509-79700	CLAMP, 140-M6	1							
64	2	22857-500100	SCREW, 5X10	6							
65	2	22857-500120	SCREW, 5X12	6							
66	2	23876-030000	PLUG, R03	1							
67	2	26106-060122	BOLT, M6X 12 PLATED	1							
68	1	124160-11360	KNOB	4							
69	1	24311-000120	O-RING, 1AP12.0	4							
70	1	24311-000320	O-RING, 1AP32.0	1							
71	1	129973-03030	HOSE ASSY, BREATHER	1							
74	2	129410-03990	CLAMP, HOSE 21.5	2							
75	1	129972-03200	SEPARATOR ASSY, MIST	1							
76	2	129972-03210	SEPARATOR, MIST	1							
77	2	129972-03220	COVER, SEPARATOR	1							
78	2	123901-03240	FILTER	3							
79	2	26116-050102	BOLT, M5X 10 PLATED	4							
80	1	129972-03280	JOINT, BREATHER	1							
81	1	129972-03310	HOSE	1							
82	1	23000-022000	CLAMP, 22	2							
83	1	23065-160500	PIPE, 16X 500	1							

Remarks
(1)REPAIR PART.

Fig.5. SUCTION MANIFOLD

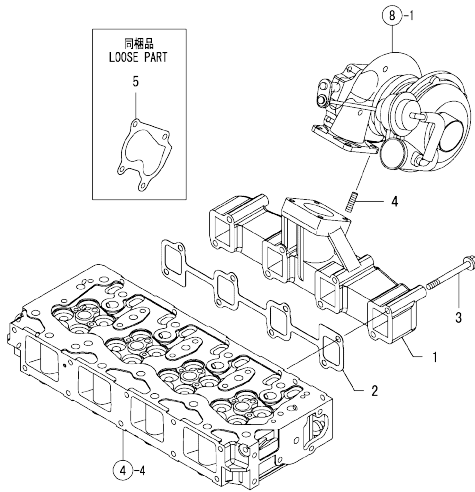


(A)=4TNV98T-PKTF
(B)=
(C)=

(D)=
(E)=
(F)=

No.	Lev.	Parts No.	Description	Q'ty					
				(A)	(B)	(C)	(D)	(E)	(F)
1	1	129906-12100	MANIFOLD, AIR INTAKE	1					
2	1	129907-12110	GASKET, MANIFOLD	1					
3	1	26106-080552	BOLT, M8X 55 PLATED	5					
4	1	26106-080852	BOLT, M8X 85 PLATED	5					
5	1	123951-18220	JOINT, RUBBER	1					
6	1	23000-054000	CLAMP, 54	2					
7	1	129908-18350	DUCT, AIR	1					
8	1	119129-77020	GASKET	1					
9	1	121850-77021	GASKET, AIR HEATER	1					
10	1	119005-77051	HEATER, AIR	1					
11	1	26106-080702	BOLT, M8X 70 PLATED	2					
12	1	26106-081202	BOLT, M8X120 PLATED	2					

Fig.6. EXHAUST MANIFOLD

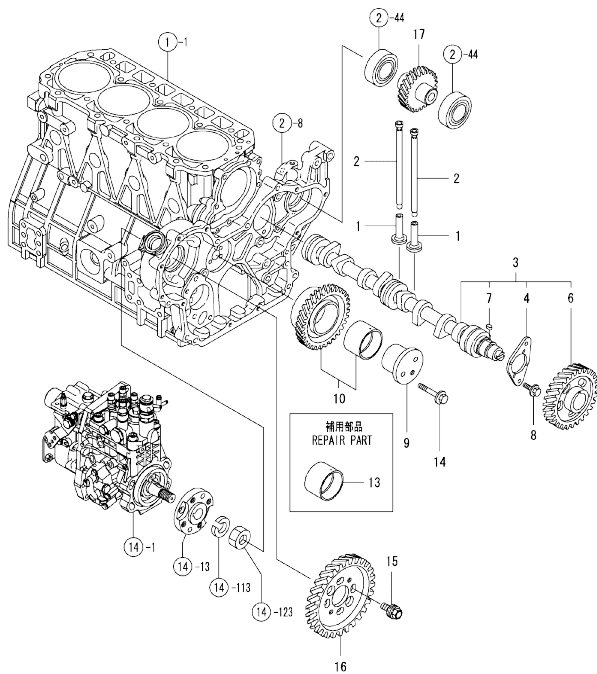


(A)=4TNV98T-PKTF
(B)=
(C)=

(D)=
(E)=
(F)=

No.	Lev.	Parts No.	Description	Q'ty					
				(A)	(B)	(C)	(D)	(E)	(F)
1	1	129908-13100	MANIFOLD, EXHAUST	1					
2	1	129900-13251	GASKET, EXH.MANIFOLD	1					
3	1	123900-13630	BOLT, M8X80	8					
4	1	129418-18320	BOLT, STUD M8X20	4					
5	1	123901-18080	GASKET	1					

Fig.7. CAMSHAFT & DRIVING GEAR



(A)=4TNV98T-PKTF
(B)=
(C)=

(D)=
(E)=
(F)=

No.	Lev.	Parts No.	Description	Q'ty						I	R
				(A)	(B)	(C)	(D)	(E)	(F)		
1	1	129150-14200	TAPPET	8							
2	1	129907-14400	PUSH-ROD	8							
3	1	129908-14590	CAMSHAFT ASSY	1							
4	2	129150-02450	BEARING, THRUST	1							
6	2	129900-14110	GEAR, CAMSHAFT	1							
7	2	22512-070140	KEY, 7X 14	1							
8	1	26106-080162	BOLT, M8X 16 PLATED	2							
9	1	123900-25060	SHAFT, IDLE GEAR	1							
10	1	129900-25110	GEAR ASSY, IDLE	1							
13	1	129150-25920	BUSH, IDLE GEAR	1							1
14	1	26106-080552	BOLT, M8X 55 PLATED	3							
15	1	129953-25300	BOLT	4							
16	1	129907-25900	GEAR, PUMP	1							
17	1	129968-26010	GEAR, PUMP	1							

Remarks
(1)REPAIR PART.

0CW10-M58200 4TNV98T-PKTF

Fig.8. TURBINE

0CW10-M58200 Fig.8

(A)=4TNV98T-PKTF
(B)=
(C)=

(D)=
(E)=
(F)=

No.	Lev.	Parts No.	Description	Q'ty					
				(A)	(B)	(C)	(D)	(E)	(F)
1	1	129908-18010	TURBOCHARGER, RHF5	1					
2	1	129472-18090	GASKET	1					
3	1	26306-080002	NUT, M8	4					

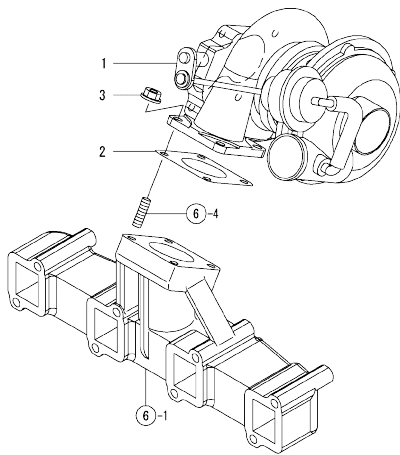
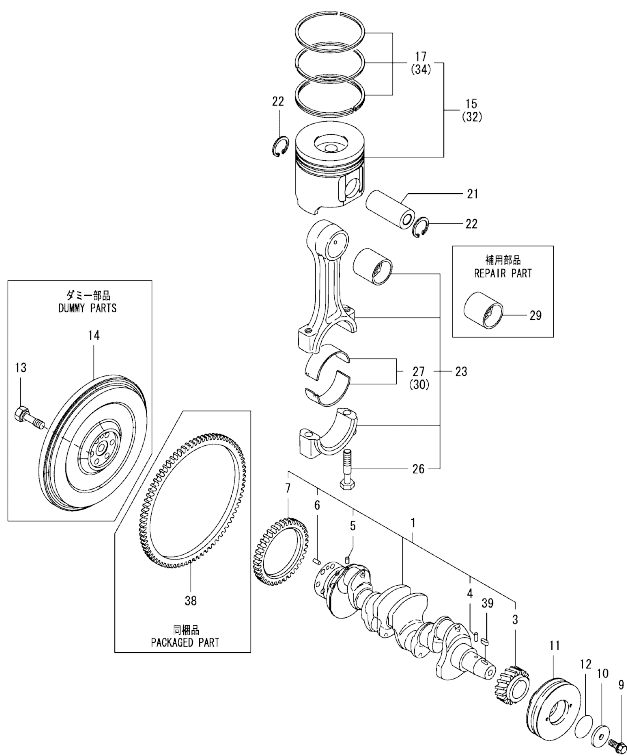


Fig.9. CRANKSHAFT & PISTON



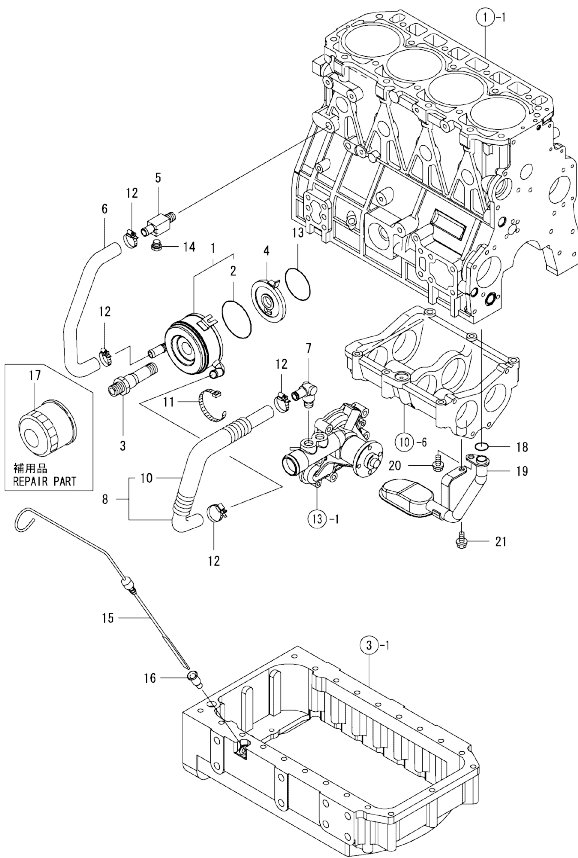
(A)=4TNV98T-PKTF
(B)=
(C)=

(D)=
(E)=
(F)=

No.	Lev.	Parts No.	Description	Q'ty						I	R
				(A)	(B)	(C)	(D)	(E)	(F)		
1	1	129942-21000	CRANKSHAFT ASSY	1							
3	2	129900-21220	GEAR, CRANKSHAFT	1							
4	2	121850-21290	PIN	1							
5	2	121850-21290	PIN	1							
6	2	121850-21920	PIN, PARALLEL 10X22	1							
7	2	129956-28321	GEAR, BALANCER	1							
9	1	129916-21610	BOLT	1							
10	1	129960-21640	WASHER	1							
11	1	129972-21660	V-PULLEY, CRANKSHAFT	1							
12	1	24341-000530	O-RING, 1AS53.0	1							
13	1	121850-21130	BOLT, FLYWHEEL	6							
14	1	129934-21400	FLYWHEEL	1							
15	1	129908-22080	PISTON ASSY	4							
17	2	129907-22050	RING SET, PISTON	4							
21	1	120130-22301	PIN, PISTON	4							
22	1	22252-000300	RING, 30	8							
23	1	129900-23001	ROD ASSY, CONNECTING	4							
26	2	129900-23200	BOLT, CONNECTING ROD	8							
27	2	129900-23601	BEARING, CRANK PIN	4							
29	1	129900-23911	BEARING, PISTON PIN	4							1
30	1	129900-23611	BEARING ASSY, 0.25US	4							2
32	1	729908-22900	PISTON ASSY, 0.25 OS	4							3
34	2	729907-22950	RING SET, 0.25 OS	4							3
38	1	129900-21600	GEAR, RING	1							
39	1	22512-070140	KEY, 7X 14	1							

Remarks
(1)REPAIR PART.
(2)UNDER SIZED(U.S.=0.25)PART.
(3)OVER SIZED(O.S.=0.25)PART.

Fig.11. LUB.OIL SYSTEM



(A)=4TNV98T-PKTF
(B)=
(C)=

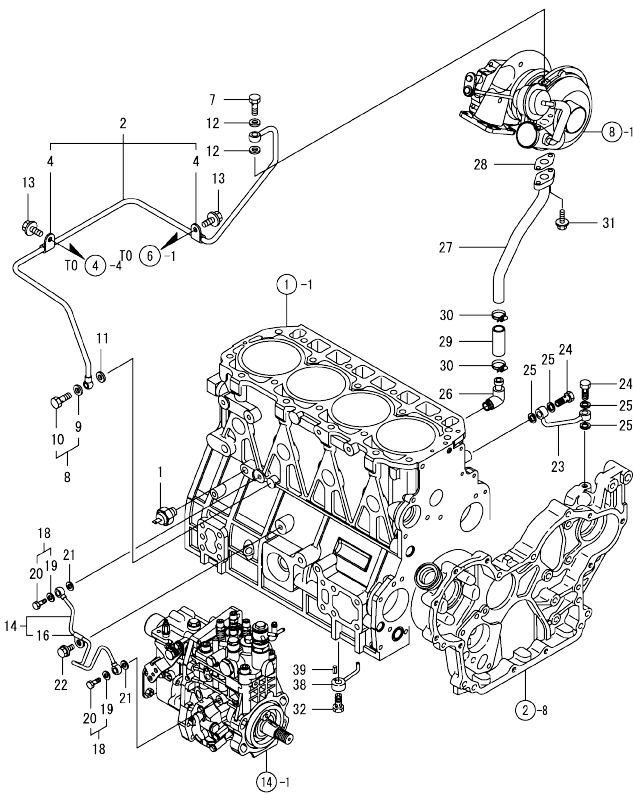
(D)=
(E)=
(F)=

No.	Lev.	Parts No.	Description	Q'ty						I	R
				(A)	(B)	(C)	(D)	(E)	(F)		
1	1	129908-33010	COOLER ASSY, OIL	1							
2	2	123912-33050	O-RING	1							
3	1	123912-33100	BOLT, COOLER	1							
4	1	129908-33101	BRACKET, OIL COOLER	1							
5	1	129006-44480	JOINT	1							
6	1	129908-49060	HOSE, WATER	1							
7	1	129466-49300	ELBOW, PT3/8	1							
8	1	123910-49600	HOSE ASSY WATER	1							
10	2	123910-49610	TUBE, CORRUGATED	1							
11	1	121750-59890	BAND, NYLON	1							
12	1	23000-025000	CLAMP, 25	4							
13	1	24321-000600	O-RING, 1AG60.0	1							
14	1	171056-49120	PLUG, DRAIN R1/4	1							
15	1	129942-34800	DIPSTICK	1							
16	1	119860-34810	GUIDE, DIPSTICK	1							
17	1	129150-35153	FILTER ASSY, D80X80L	1							1
18	1	129900-32030	O-RING, P20	1							
19	1	129956-35100	PIPE ASSY, OIL INLET	1							
20	1	26106-080142	BOLT, M8X 14 PLATED	1							
21	1	26106-080202	BOLT, M8X 20 PLATED	1							

Remarks
(1)REPAIR PART.

OCW10-M58200 4TNV98T-PKTF
 Fig.12. LUB.OIL LINE

OCW10-M58200 Fig.12

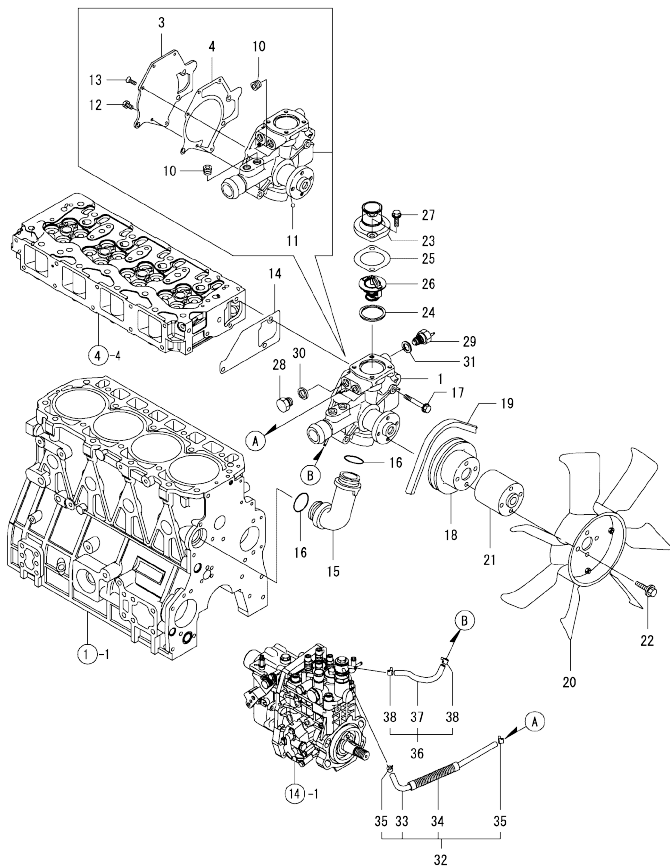


(A)=4TNV98T-PKTF
 (B)=
 (C)=

(D)=
 (E)=
 (F)=

No.	Lev.	Parts No.	Description	Q'ty						I	R
				(A)	(B)	(C)	(D)	(E)	(F)		
1	1	119761-39450	SWITCH, HYDRAULIC	1							
2	1	129972-39430	PIPE ASSY, OIL	1							
4	2	124223-39900	RETAINER	2							
7	1	121252-39150	BOLT, JOINT M10X1.5	1							
8	1	129005-59830	BOLT ASSY, JOINT M8	1							
9	2	22190-080002	WASHER, SEAL 6	1							
10	2	23857-030000	BOLT, JOINT 3	1							
11	1	22190-080002	WASHER, SEAL 6	1							
12	1	23414-100000	GASKET, 10X1.0	2							
13	1	26106-080122	BOLT, M8X 12 PLATED	2							
14	1	129907-39061	PIPE ASSY, OIL	1							
16	2	123907-39500	RETAINER, PIPE	1							
18	1	129005-59830	BOLT ASSY, JOINT M8	2							
19	2	22190-080002	WASHER, SEAL 6	2							
20	2	23857-030000	BOLT, JOINT 3	2							
21	1	22190-080002	WASHER, SEAL 6	2							
22	1	26106-080122	BOLT, M8X 12 PLATED	1							
23	1	129930-39050	PIPE, OIL	1							
24	1	105010-39140	BOLT, PIPE JOINT	2							
25	1	22190-080002	WASHER, SEAL 6	4							
26	1	124070-13300	ELBOW, PT3/8	1							
27	1	129908-39610	PIPE, OIL	1							
28	1	129908-39690	GASKET	1							
29	1	129974-39820	HOSE, LO RETURN	1							
30	1	23000-025000	CLAMP, 25	2							
31	1	26106-060162	BOLT, M6X 16 PLATED	2							
32	1	129908-39410	VALVE ASSY, CHECK	4							
38	1	119000-39650	NOZZLE, COOLING	4							
39	1	22351-030010	PIN, SPRING 3.0X10	4							

Fig.13. COOLING WATER SYSTEM



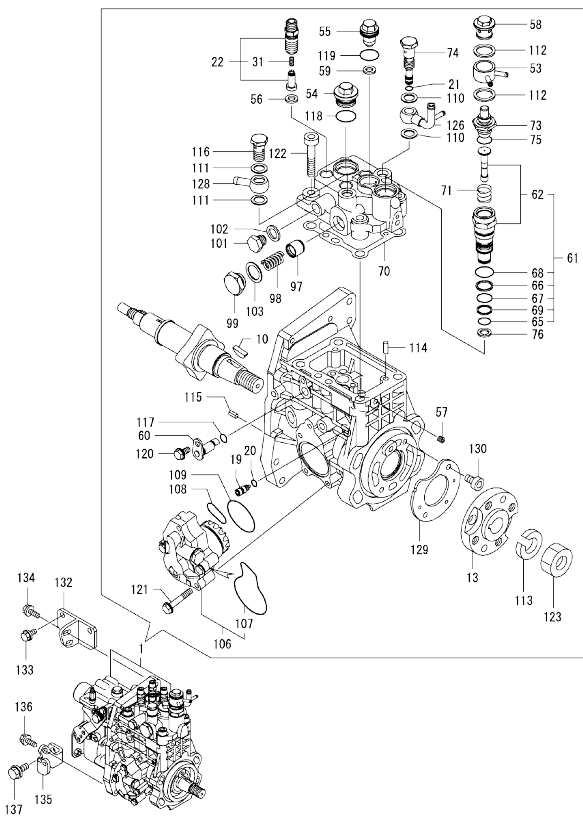
No.	Lev.	Parts No.	Description	Qty						I	R
				(A)	(B)	(C)	(D)	(E)	(F)		
1	1	129907-42051	PUMP ASSY, WATER	1							
3	2	129900-42161	COVER	1							
4	2	129900-42170	GASKET	1							
10	2	23875-030000	PLUG, R03	3							
11	2	24190-080001	BALL, STEEL 1/4	1							
12	2	26116-060162	BOLT, M6X 16 PLATED	2							
13	2	26577-060152	SCREW, M6X15	3							
14	1	129900-42061	GASKET, WATER PUMP	1							
15	1	129900-42070	PIPE, WATER	1							
16	1	129900-42140	O-RING, P36	2							
17	1	26106-080552	BOLT, M8X 55 PLATED	3							
18	1	129930-42450	V-PULLEY, C.W.PUMP	1							
19	1	129972-42290	V-BELT, A47.0	1							
20	1	129981-44740	FAN, COOLING D=450	1							
21	1	129900-44760	SPACER, FAN	1							
22	1	26106-080852	BOLT, M8X 85 PLATED	4							
23	1	129981-49531	COVER, THERMOSTAT	1							
24	1	121850-49550	GASKET, THERMOSTAT	1							
25	1	129900-49560	GASKET	1							
26	1	121850-49810	THERMOSTAT, 71C	1							
27	1	26106-080252	BOLT, M8X 25 PLATED	2							
28	1	121450-42450	PLUG, M16	1							
29	1	124250-49351	SENSOR, WATER TEMP.	1							
30	1	124465-44950	GASKET, 16	1							
31	1	129150-49360	GASKET	1							
32	1	129932-49610	HOSE ASSY, WATER	1							
33	2	129907-49710	HOSE, WATER	1							
34	2	129957-59320	TUBE, CORRUGATED	1							
35	2	124722-59050	CLAMP, HOSE 9	2							
36	1	129962-49620	HOSE ASSY, WATER	1							
37	2	129962-49720	HOSE ASSY, WATER	1							
38	2	124722-59050	CLAMP, HOSE 9	2							

N:Old $\frac{100}{100}$ New, Q:Old $\frac{100}{100}$ New, R:Old $\frac{100}{100}$ New, S:Old $\frac{100}{100}$ New, W:Add, Z:Discontinued, F:Interchangeable by set, K:Qty Change
 Copyright (C) YANMAR GLOBAL CS CO., LTD. All Rights Reserved.

Fig.14. FUEL INJECTION PUMP

(A)=4TNV98T-PKTF
(B)=
(C)=

(D)=
(E)=
(F)=



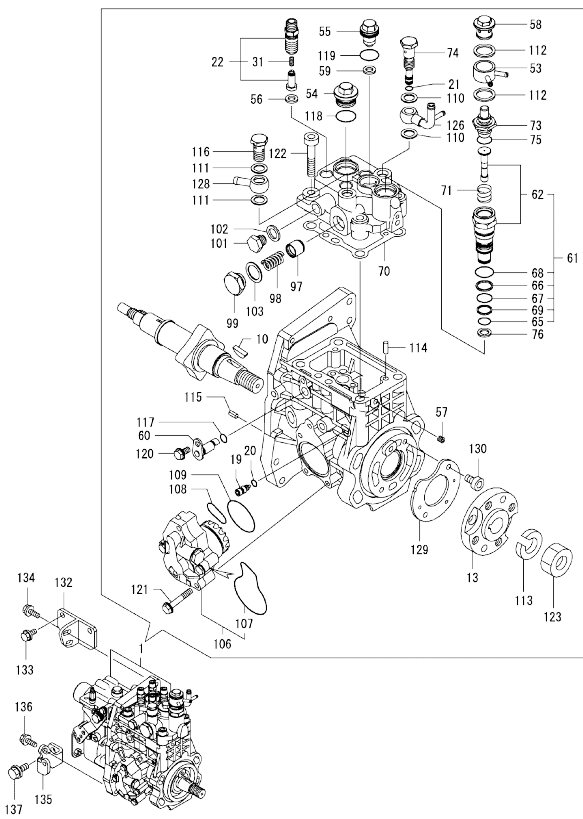
No.	Lev.	Parts No.	Description	Qty						I	R
				(A)	(B)	(C)	(D)	(E)	(F)		
1	1	729972-51350	PUMP ASSY, INJECTION	1							1
10	2	144626-51090	FEATHER KEY, 5X19	1							
13	2	158563-51150	FLANGE	1							
19	2	158600-51270	STOPPER, TAPPET	1							
20	2	158563-51281	O-RING, 4D S6	1							
21	2	158563-51281	O-RING, 4D S6	1							
22	2	129509-51390	VALVE ASSY, DELIVERY	4							
31	3	158563-51330	SPRING, DELIVERY	4							
53	2	158553-51551	JOINT, COOLING WATER	1							
54	2	158601-51550	PLUG, M22	1							
55	2	129907-51560	PLUG, M16	1							
56	2	158552-51571	GASKET, PLUG	4							
57	2	158557-51570	PLUG, RACK	1							
58	2	158601-51570	PLUG	1							
59	2	129906-51580	GASKET, PLUG	1							
60	2	158552-51580	LIFTER, LINK	1							
61	2	119802-51590	TIMER ASSY	1							
62	3	119802-51600	TIMER ASSY	1							
65	3	158553-51670	O-RING	1							
66	3	119802-51680	RING, BACKUP	1							
67	3	119802-51690	O-RING	1							
68	3	24356-190200	O-RING, 4D19020	1							
69	3	24372-000150	RING, BACK UP T2P15	1							
70	2	158560-51600	GASKET	1							
71	2	158553-51630	SPRING, TIMER	1							
73	2	158553-51640	THERMOELEMENT	1							
74	2	158601-51650	JOINT, OVER FLOW	1							
75	2	158553-51660	O-RING, P14	1							
76	2	158553-51680	GASKET, TIMER	1							
97	2	158601-51770	PISTON, ACCUMULATOR	1							
98	2	158552-51781	SPRING, ACCUMULATOR	1							
99	2	158601-51790	PLUG	1							
101	2	158553-51930	PLUG, M12	1							
102	2	22190-120002	WASHER, SEAL 12	1							
103	2	22190-180002	WASHER, SEAL 18	1							
106	2	158552-52100	PUMP ASSY, FUEL FEED	1							
107	3	158552-52500	O-RING	1							
108	3	158552-52311	O-RING	1							
109	2	158552-52400	O-RING, 4E S42	1							
110	2	22190-120002	WASHER, SEAL 12	2							
111	2	22190-120002	WASHER, SEAL 12	2							
112	2	22190-180002	WASHER, SEAL 18	2							
113	2	22217-180000	WASHER, SPRING 18	1							
114	2	22312-050140	PIN, PARALLEL M5X14	2							
115	2	22351-050010	PIN, SPRING 5.0X10	2							
116	2	23857-060000	BOLT, JOINT 6	1							
117	2	24311-000070	O-RING, 1AP7.0	1							
118	2	24356-190200	O-RING, 4D19020	1							
119	2	24356-240210	O-RING, 4D24021	1							
120	2	26106-060102	BOLT, M6X 10 PLATED	1							
121	2	26106-060352	BOLT, M6X 35 PLATED	4							

Remarks
(1) GOVERNOR ASSY (FIG. 15) IS INCORPORATED IN THIS FOP.CMP (REF.NO.1).

Fig.14. FUEL INJECTION PUMP

(A)=4TNV98T-PKTF
(B)=
(C)=

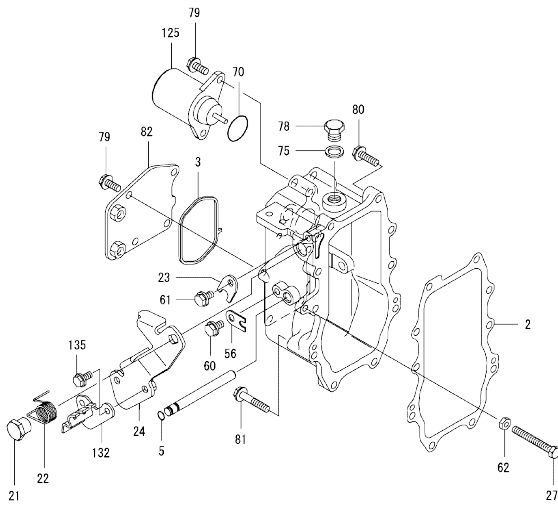
(D)=
(E)=
(F)=



No.	Lev.	Parts No.	Description	Q'ty						I	R		
				(A)	(B)	(C)	(D)	(E)	(F)				
122	2	26450-100452	BOLT, M10X 45										
123	2	26776-180002	NUT, LOCK M18										
126	2	158552-51670	JOINT, OVER FLOW										
128	2	129916-59020	JOINT, PIPE 12										
129	2	129928-51900	COVER										
130	2	129008-51920	BOLT, SOCKET M6X10										
132	1	129907-01950	RETAINER, PUMP										
133	1	26106-080162	BOLT, M8X 16 PLATED										
134	1	26106-080222	BOLT, M8X 22 PLATED										
135	1	129907-01960	RETAINER, PUMP										
136	1	26106-080222	BOLT, M8X 22 PLATED										
137	1	26106-100202	BOLT, M10X 20 PLATED										

Remarks
(1)GOVERNOR ASSY(FIG.15) IS
INCORPORATED IN THIS FOP.CMP
(REF.NO.1).

Fig.15. GOVERNOR



(A)=4TNV98T-PKTF
(B)=
(C)=

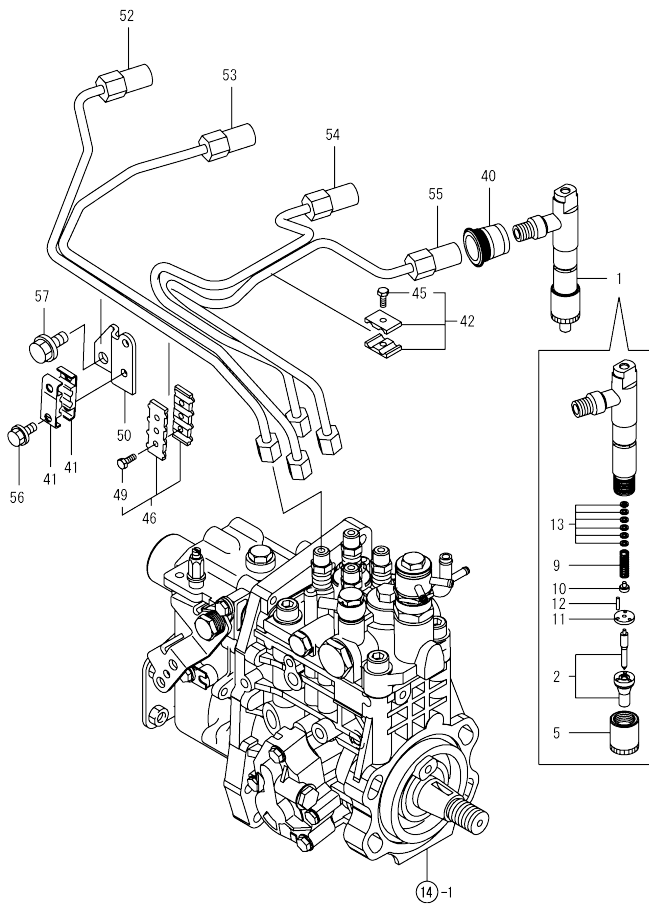
(D)=
(E)=
(F)=

No.	Lev.	Parts No.	Description	Q'ty						I	R
				(A)	(B)	(C)	(D)	(E)	(F)		
2	2	158560-61050	GASKET	1							
3	2	158560-61071	GASKET	1							
5	2	129155-51280	O-RING, S6	1							
21	2	129255-61410	NUT, M8	1							
22	2	119807-61420	SPRING, RETURN	1							
23	2	158560-61430	STOPPER, SHAFT	1							
24	2	129963-61440	LEVER, REGULATOR	1							
27	2	129155-61460	BOLT, LIMITING	1							
56	2	119660-61901	STOPPER, SHAFT	1							
60	2	26106-060102	BOLT, M6X 10 PLATED	1							
61	2	26106-060102	BOLT, M6X 10 PLATED	1							
62	2	26756-060002	NUT, LOCK M6	1							
70	2	158552-61900	O-RING	1							
75	2	22190-160002	WASHER, SEAL 16	1							
78	2	23887-160002	PLUG, 16	1							
79	2	26106-060142	BOLT, M6X 14 PLATED	6							
80	2	26106-060252	BOLT, M6X 25 PLATED	8							
81	2	26106-060402	BOLT, M6X 40 PLATED	2							
82	2	123945-61060	COVER, GOVERNOR CASE	1							
125	2	119653-77950	SOLENOID, STOP	1							
132	1	129972-61490	HOOK CMP(ACCELERATOR	1							
135	1	26106-060122	BOLT, M6X 12 PLATED	2							

Remarks

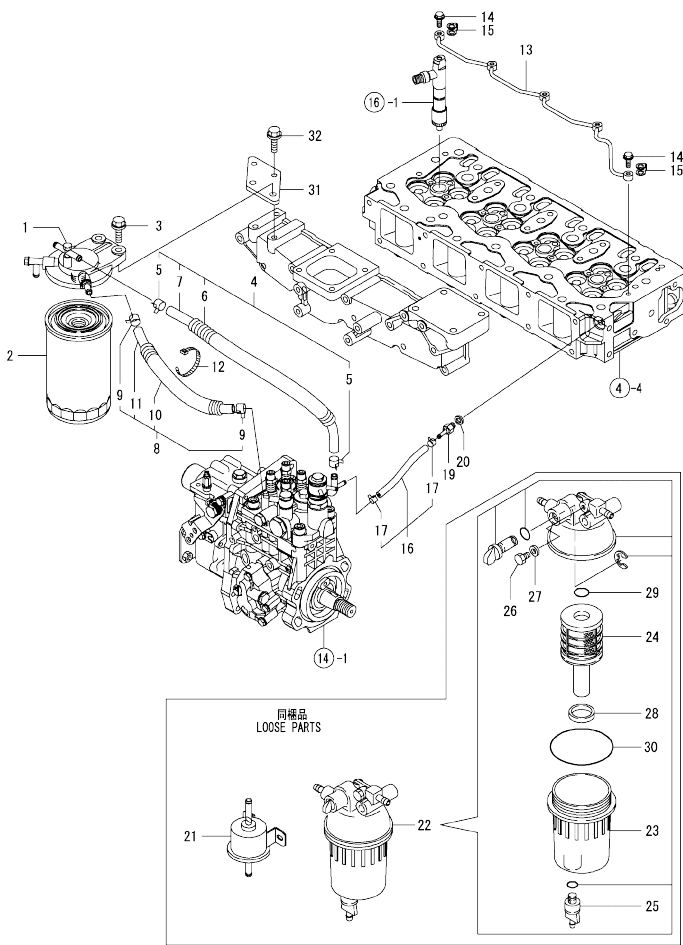
* THIS FIGURE(GOVERNOR ASSY)IS INCORPORATED IN THE FUEL INJECTION PUMP ASSY(FIG.14).

Fig.16. FUEL INJECTION VALVE



No.	Lev.	Parts No.	Description	Q'ty						I	R
				(A)	(B)	(C)	(D)	(E)	(F)		
1	1	729908-53100	FUEL INJECTOR ASSY	4							
2	2	129908-53000	NOZZLE ASSY, F.I.	4							
5	2	114250-53080	NUT, NOZZLE	4							
9	2	114250-53120	SPRING, NOZZLE	4							
10	2	114250-53130	SEAT, SPRING	4							
11	2	114250-53140	SPACER	4							
12	2	114250-53210	PIN	8							
13	2	119803-53400	SHIM SET	4							
40	1	123907-11601	SEAL, PIPE	4							
41	1	122780-59100	RETAINER	2							
42	1	119305-59120	RETAINER, PIPE	1							
45	2	129150-59131	BOLT, M4X14	1							
46	1	129550-59120	RETAINER, PIPE	1							
49	2	129150-59131	BOLT, M4X14	2							
50	1	129907-59710	SUPPORT	1							
52	1	129908-59810	PIPE ASSY, INJECTION	1							
53	1	129908-59820	PIPE ASSY, INJECTION	1							
54	1	129908-59830	PIPE ASSY, INJECTION	1							
55	1	129908-59840	PIPE ASSY, INJECTION	1							
56	1	26106-060162	BOLT, M6X 16 PLATED	2							
57	1	26106-080182	BOLT, M8X 18 PLATED	1							

Fig.17. FUEL LINE

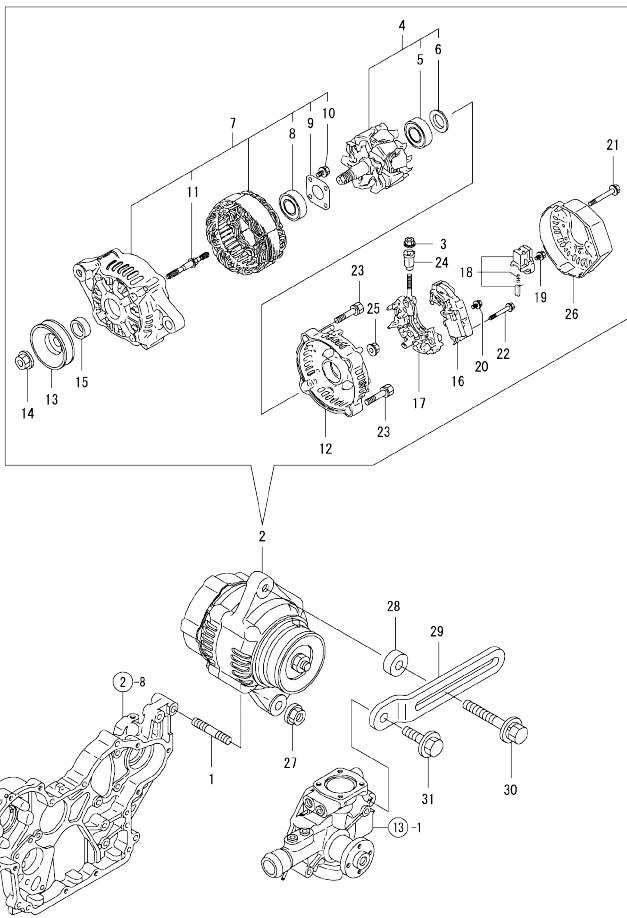


No.	Lev.	Parts No.	Description	Q'ty						I	R
				(A)	(B)	(C)	(D)	(E)	(F)		
1	1	129004-55612	BRACKET, FILTER	1							
2	1	123907-55801	FILTER, FUEL	1							
3	1	26106-080302	BOLT, M8X 30 PLATED	2							
4	1	129457-59010	HOSE ASSY, FUEL	1							
5	2	124766-59050	CLAMP, HOSE 11.5	2							
6	2	129957-59120	TUBE, CORRUGATED 15	1							
7	2	105025-59750	HOSE, FUEL	1							
8	1	129981-59010	HOSE ASSY, FUEL	1							
9	2	124766-59050	CLAMP, HOSE 11.5	2							
10	2	129950-59221	TUBE, CORRUGATED 15	1							
11	2	129980-59510	HOSE, FUEL	1							
12	1	121750-59890	BAND, NYLON	1							
13	1	129907-59140	PIPE ASSY, RETURN	1							
14	1	123907-59540	BOLT, PIPE JOINT M6	5							
15	1	123907-59550	GASKET	5							
16	1	129486-59551	HOSE ASSY, RETURN	1							
17	2	124722-59050	CLAMP, HOSE 9	2							
19	1	123907-59560	JOINT, HOSE	1							
20	1	22190-080002	WASHER, SEAL 6	1							
21	1	119225-52102	PUMP, FUEL FEED	1							
22	1	129242-55700	SEPARATOR ASSY, WATER	1							
23	2	129242-55720	CUP, SEPARATOR	1							
24	2	129242-55730	ELEMENT, FUEL	1							
25	2	129242-55740	PLUG, DRAIN	1							
26	2	129242-55750	VALVE, AIR VENT	1							
27	2	129242-55760	GASKET, PLUG	1							
28	2	129242-55770	FLOAT	1							
29	2	24311-000160	O-RING, 1AP16.0	1							
30	2	24321-000750	O-RING, 1AG75.0	1							
31	1	129940-55650	BRACKET, FILTER	1							
32	1	26106-080202	BOLT, M8X 20 PLATED	2							

N:Old $\frac{New}{Old}$ New, Q:Old $\frac{New}{Old}$ New, R:Old $\frac{New}{Old}$ New, S:Old $\frac{New}{Old}$ New, W:Add, Z:Discontinued, F:Interchangeable by set, K:Q'ty Change
 Copyright (C) YANMAR GLOBAL CS CO., LTD. All Rights Reserved.

0CW10-M58200 4TNV98T-PKTF
 Fig.18. GENERATOR

0CW10-M58200 Fig.18



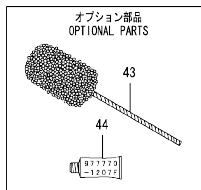
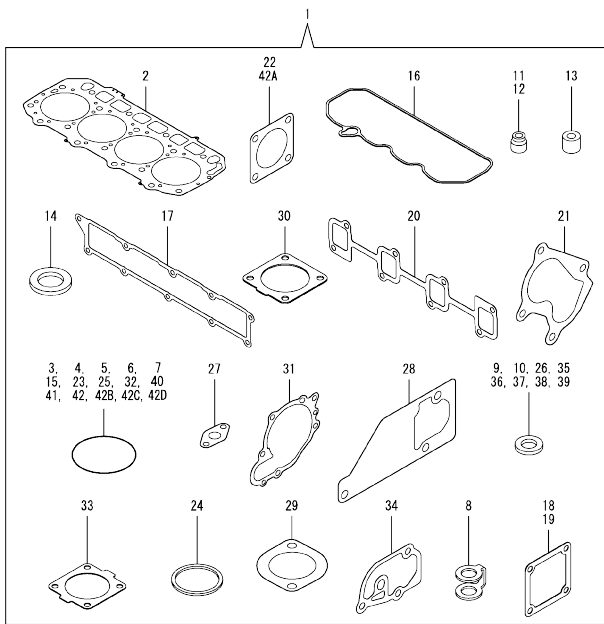
(A)=4TNV98T-PKTF
 (B)=
 (C)=

(D)=
 (E)=
 (F)=

No.	Lev.	Parts No.	Description	Qty						I	R
				(A)	(B)	(C)	(D)	(E)	(F)		
1	1	129795-01900	BOLT, STUD M10X33	1							
2	1	119626-77210	ALTERNATOR, 12V-55A	1							
3	2	X9490561001	NUT	1							
4	2	129052-77380	ROTOR ASSY	1							
5	3	123501-79240	BEARING, BALL	1							
6	3	119620-79250	COVER, BEARING	1							
7	2	129052-77422	FRAME ASSY	1							
8	3	119620-79200	BEARING, BALL	1							
9	3	119620-79210	RETAINER	1							
10	3	119620-79220	SCREW	4							
11	3	119620-79230	BOLT, STUD	2							
12	2	128401-77440	COVER	1							
13	2	119620-77461	PULLEY, GENERATOR	1							
14	2	119620-77471	NUT	1							
15	2	119620-77490	COLLAR	1							
16	2	119626-77710	REGULATOR ASSY	1							
17	2	129052-79260	HOLDER	1							
18	2	129052-79270	HOLDER, BRUSH	1							
19	2	119620-79290	SCREW	6							
20	2	119620-79300	SCREW	1							
21	2	119620-79310	BOLT	3							
22	2	119620-79320	SCREW	2							
23	2	119620-79330	BOLT	2							
24	2	119620-79340	BUSH, INSULATION	1							
25	2	119620-79350	NUT	2							
26	2	119626-77450	FRAME	1							
27	1	26306-100002	NUT, M10	1							
28	1	119940-77270	SPACER	1							
29	1	129972-77330	ADJUSTER, BELT	1							
30	1	129972-77341	BOLT, ADJUST L=50	1							
31	1	26106-080222	BOLT, M8X 22 PLATED	1							

N:Old $\frac{100}{100}$ New, Q:Old $\frac{100}{100}$ New, R:Old $\frac{100}{100}$ New, S:Old $\frac{100}{100}$ New, W:Add, Z:Discontinued, F:Interchangeable by set, K:Qty Change
 Copyright (C) YANMAR GLOBAL CS CO., LTD. All Rights Reserved.

Fig.19. GASKET SET



(A)=4TNV98T-PKTF
(B)=
(C)=

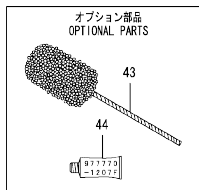
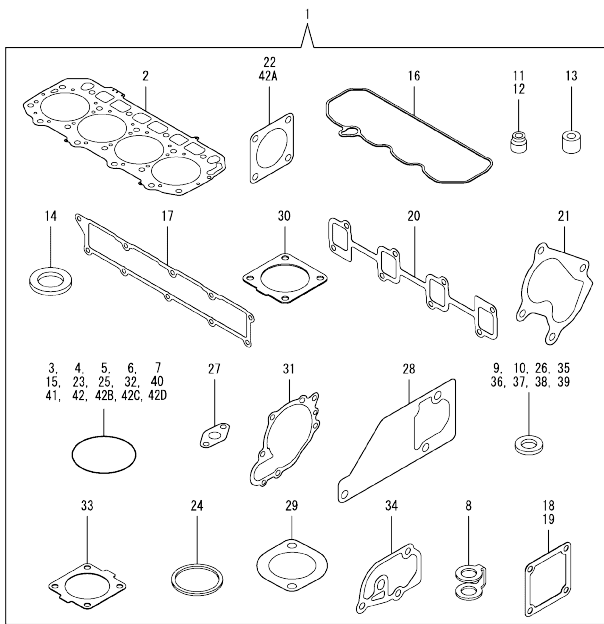
(D)=
(E)=
(F)=

No.	Lev.	Parts No.	Description	Q'ty						I	R
				(A)	(B)	(C)	(D)	(E)	(F)		
1	1	129908-92600	GASKET SET	1							1
2	2	129907-01331	GASKET, HEAD	1							
3	2	129900-32030	O-RING, P20	2							
4	2	129900-32040	O-RING, P14	1							
5	2	24311-000070	O-RING, 1AP7.0	1							
6	2	24351-030750	O-RING, 1A3075	1							
7	2	24311-000320	O-RING, 1AP32.0	3							
8	2	123907-59550	GASKET	5							
9	2	124465-44950	GASKET, 16	1							
9-1	2	124465-44950	GASKET, 16	4							K
(A=EXXXXX)											
10	2	22190-080002	WASHER, SEAL 6	11							
11	2	119803-11340	SEAL, VALVE STEM	8							
12	2	124160-11340	SEAL, VALVE STEM	8							
13	2	119802-11870	PROTECTOR, NOZZLE	4							
14	2	119625-11880	SEAT, NOZZLE	4							
15	2	24311-000120	O-RING, 1AP12.0	8							
16	2	129933-11310	GASKET, BONNET	1							
17	2	129907-12110	GASKET, MANIFOLD	1							
18	2	119129-77020	GASKET	1							
19	2	121850-77021	GASKET, AIR HEATER	1							
20	2	129900-13251	GASKET, EXH.MANIFOLD	1							
21	2	123901-18080	GASKET	1							
22	2	129472-18090	GASKET	1							
23	2	24341-000530	O-RING, 1AS53.0	1							
24	2	121850-49550	GASKET, THERMOSTAT	1							
25	2	24321-000600	O-RING, 1AG60.0	1							
26	2	129150-49360	GASKET	1							
26-1	2	129150-49360	GASKET	2							K
(A=EXXXXX)											
27	2	129908-39690	GASKET	1							
28	2	129900-42061	GASKET, WATER PUMP	1							
29	2	129900-49560	GASKET	1							
30	2	129930-13201	GASKET, SILENCER	1							W
(A=EXXXXX)											
31	2	129900-42020	GASKET, WATER PUMP	1							W
(A=EXXXXX)											
32	2	129900-42140	O-RING, P36	2							W
(A=EXXXXX)											
33	2	121850-49540	GASKET, THERMOSTAT	1							W
(A=EXXXXX)											
34	2	129900-49870	GASKET, THERMOSTAT	1							W
(A=EXXXXX)											
35	2	22190-120002	WASHER, SEAL 12	1							W
(A=EXXXXX)											
36	2	22190-220002	WASHER, SEAL 22	1							W
(A=EXXXXX)											
37	2	22190-300002	WASHER, SEAL 30	1							W
(A=EXXXXX)											
38	2	23414-080000	GASKET, 8X1.0	1							W
(A=EXXXXX)											

Remarks

(1)Optional parts.

Fig.19. GASKET SET



(A)=4TNV98T-PKTF
(B)=
(C)=

(D)=
(E)=
(F)=

No.	Lev.	Parts No.	Description	Q'ty						I	R
				(A)	(B)	(C)	(D)	(E)	(F)		
38-1	2	23414-080000 (A=EXXXXX)	GASKET, 8X1.0	3							K
39	2	23414-100000 (A=EXXXXX)	GASKET, 10X1.0	2							W
40	2	24316-240100 (A=EXXXXX)	O-RING, 4DP10A	1							W
41	2	24321-000700 (A=EXXXXX)	O-RING, 1AG70.0	1							W
42	2	24321-000850 (A=EXXXXX)	O-RING, 1AG85.0	1							W
42A	2	124240-01883 (A=EXXXXX)	GASKET	2							W
42B	2	24311-000150 (A=EXXXXX)	O-RING, 1AP15.0	1							W
42C	2	24311-000300 (A=EXXXXX)	O-RING, 1AP30.0	1							W
42D	2	24311-240100 (A=EXXXXX)	O-RING, 1AP10A	1							W
43	1	129400-92450	HONE, FLEX	1							1
44	1	977770-1207F	GASKET, LIQUID	1							1

Remarks

(1)Optional parts.

Parts No. Index

Parts No.	Fig. No.	Ref. No.
105010-39140	12	24
105025-59750	17	7
105425-01690	3	4
114250-53080	16	5
114250-53120	16	9
114250-53130	16	10
114250-53140	16	11
114250-53210	16	12
119000-39650	12	38
119005-77051	5	10
119100-11330	4	62
119129-77020	5	8
	19	18
119225-52102	17	21
119305-59120	16	42
119593-11301	4	34
119620-11180	4	16
119620-77461	18	13
119620-77471	18	14
119620-77490	18	15
119620-79200	18	8
119620-79210	18	9
119620-79220	18	10
119620-79230	18	11
119620-79250	18	6
119620-79290	18	19
119620-79300	18	20
119620-79310	18	21
119620-79320	18	22
119620-79330	18	23
119620-79340	18	24
119620-79350	18	25
119625-11880	4	30
	19	14
119626-77210	18	2
119626-77450	18	26
119626-77710	18	16
119653-77950	15	125
119660-61901	15	56
119761-39450	12	1
119802-11870	4	29
	19	13
119802-51590	14	61
119802-51600	14	62
119802-51680	14	66
119802-51690	14	67
119803-11340	4	17
	19	11
119803-53400	16	13
119807-61420	15	22

Parts No.	Fig. No.	Ref. No.
119860-34810	11	16
119940-77270	18	28
120130-22301	9	21
121252-39150	12	7
121450-42450	13	28
121750-59890	11	11
	17	12
121850-21130	9	13
121850-21290	9	4
		5
	10	4
		5
121850-21920	9	6
121850-49540	19	33
121850-49550	13	24
	19	24
121850-49810	13	26
121850-77021	5	9
	19	19
122780-59100	16	41
123501-79240	18	5
123900-13630	6	3
123900-25060	7	9
123901-03240	4	78
123901-18080	6	5
	19	21
123907-11280	4	39
123907-11550	4	3
123907-11601	16	40
123907-11820	4	23
123907-11830	4	22
123907-39500	12	16
123907-55801	17	2
123907-59540	17	14
123907-59550	17	15
	19	8
123907-59560	17	19
123908-03199	4	59
123910-49600	11	8
123910-49610	11	10
123912-33050	11	2
123912-33100	11	3
123945-61060	15	82
123951-18220	5	5
124070-13300	12	26
124160-01751	2	35
	4	54
124160-11340	4	18
	19	12
124160-11360	4	68

Parts No.	Fig. No.	Ref. No.
124223-39900	12	4
124240-01871	2	36
124240-01883	2	37
	19	42 A
124250-49351	13	29
124411-01780	3	13
124465-44950	13	30
	19	9
		9 -1
124722-59050	13	35
		38
	17	17
124766-59050	17	5
		9
128401-77440	18	12
128610-14120	10	3
129004-55612	17	1
129005-59830	12	8
		18
129006-44480	11	5
129008-51920	14	130
129052-77380	18	4
129052-77422	18	7
129052-79260	18	17
129052-79270	18	18
129100-01580	1	32
		33
	2	5
129150-02450	7	4
129150-11230	4	42
		46
129150-11750	4	21
		43
		47
129150-14200	7	1
129150-25920	7	13
129150-35153	11	17
129150-49360	13	31
	19	26
		26 -1
129150-59131	16	45
		49
129155-51280	15	5
129155-61460	15	27
129242-55700	17	22
129242-55720	17	23
129242-55730	17	24
129242-55740	17	25
129242-55750	17	26
129242-55760	17	27

Parts No.	Fig. No.	Ref. No.
129242-55770	17	28
129255-61410	15	21
129400-92450	19	43
129410-03990	4	74
129418-18320	6	4
129457-59010	17	4
129466-49300	11	7
129472-18090	8	2
	19	22
129486-59551	17	16
129509-51390	14	22
129509-79700	4	63
129550-59120	16	46
129693-44310	3	7
129795-01900	18	1
129795-01960	10	1
129900-01200	1	30
129900-01250	1	4
129900-01740	2	6
129900-01850	2	39
129900-01870	2	40
129900-02020	1	7
129900-02341	1	34
129900-02410	1	10
129900-02931	1	27
129900-02941	1	37
129900-13251	6	2
	19	20
129900-14110	7	6
129900-14140	2	43
129900-21220	9	3
129900-21600	9	38
129900-23001	9	23
129900-23200	9	26
129900-23601	9	27
129900-23611	9	30
129900-23911	9	29
129900-25110	7	10
129900-26250	2	44
129900-32030	2	23
	11	18
	19	3
129900-32040	2	24
	19	4
129900-42020	19	31
129900-42061	13	14
	19	28
129900-42070	13	15
129900-42140	13	16
	19	32

Parts No. Index

Parts No.	Fig. No.	Ref. No.	Parts No.	Fig. No.	Ref. No.	Parts No.	Fig. No.	Ref. No.	Parts No.	Fig. No.	Ref. No.
129900-42161	13	3	129908-33101	11	4	129972-03210	4	76	171056-49120	11	14
129900-42170	13	4	129908-39410	12	32	129972-03220	4	77	22190-080002	3	8
129900-44760	13	21	129908-39610	12	27	129972-03280	4	80		12	9
129900-49560	13	25	129908-39690	12	28	129972-03310	4	81			11
	19	29		19	27	129972-21660	9	11			19
129900-49870	19	34	129908-49060	11	6	129972-39430	12	2			21
129906-12100	5	1	129908-53000	16	2	129972-42290	13	19			25
129906-51580	14	59	129908-59810	16	52	129972-61490	15	132		17	20
129907-01331	1	31	129908-59820	16	53	129972-77330	18	29		19	10
	19	2	129908-59830	16	54	129972-77341	18	30	22190-120002	14	102
129907-01950	14	132	129908-59840	16	55	129973-03030	4	71			110
129907-01960	14	135	129908-92600	19	1	129973-11320	4	55			111
129907-03011	4	56	129916-01800	2	4	129974-39820	12	29		19	35
129907-03061	4	57	129916-21610	9	9	129980-59510	17	11	22190-160002	3	6
129907-03070	4	58	129916-59020	14	128	129981-44740	13	20		15	75
129907-07900	4	1	129928-51900	14	129	129981-49531	13	23	22190-180002	14	103
129907-11100	4	13	129930-13201	19	30	129981-59010	17	8			112
129907-11110	4	14	129930-39050	12	23	144626-51090	14	10	22190-220002	19	36
129907-11120	4	15	129930-42450	13	18	158552-51571	14	56	22190-300002	19	37
129907-11250	4	36	129932-49610	13	32	158552-51580	14	60	22217-180000	14	113
129907-11260	4	37	129933-11310	4	61	158552-51670	14	126	22252-000300	9	22
129907-11270	4	38		19	16	158552-51781	14	98	22312-050140	14	114
129907-11341	4	35	129934-21400	9	14	158552-52100	14	106	22351-030010	12	39
129907-11510	4	19	129940-55650	17	31	158552-52311	14	108	22351-050010	14	115
129907-11650	4	40	129942-21000	9	1	158552-52400	14	109	22351-060012	1	11
129907-11660	4	44	129942-34800	11	15	158552-52500	14	107	22512-070140	7	7
129907-11800	4	26	129950-59221	17	10	158552-61900	15	70		9	39
129907-11910	4	31	129953-25300	7	15	158553-51551	14	53	22857-500100	4	64
129907-11920	4	48	129956-01640	3	11	158553-51630	14	71	22857-500120	4	65
129907-11950	4	32	129956-01710	1	5	158553-51640	14	73	23000-022000	4	82
129907-12110	5	2	129956-01730	3	1	158553-51660	14	75	23000-025000	11	12
	19	17	129956-01760	3	3	158553-51670	14	65		12	30
129907-14400	7	2	129956-28009	10	2	158553-51680	14	76	23000-054000	5	6
129907-22050	9	17	129956-28019	10	6	158553-51930	14	101	23065-160500	4	83
129907-25900	7	16	129956-28101	10	10	158557-51570	14	57	23414-080000	19	38
129907-39061	12	14	129956-28111	10	11	158560-51600	14	70			38 -1
129907-42051	13	1	129956-28180	10	12	158560-61050	15	2	23414-100000	12	12
129907-49710	13	33	129956-28321	9	7	158560-61071	15	3		19	39
129907-51560	14	55	129956-28332	10	13	158560-61430	15	23	23857-030000	12	10
129907-59140	17	13	129956-28341	10	14	158563-51150	14	13			20
129907-59710	16	50	129956-35100	11	19	158563-51281	14	20	23857-060000	14	116
129908-01520	2	8	129957-59120	17	6			21	23875-030000	13	10
129908-11700	4	4	129957-59320	13	34	158563-51330	14	31	23876-005000	10	15
129908-13100	6	1	129960-21640	9	10	158600-51270	14	19	23876-020000	4	10
129908-14590	7	3	129962-49620	13	36	158601-51550	14	54	23876-030000	1	12
129908-18010	8	1	129962-49720	13	37	158601-51570	14	58			13
129908-18350	5	7	129963-61440	15	24	158601-51650	14	74		4	11
129908-22080	9	15	129968-26010	7	17	158601-51770	14	97			27
129908-32060	2	11	129972-01731	3	2	158601-51790	14	99			66
129908-33010	11	1	129972-03200	4	75	171051-01921	1	6	23887-160002	15	78

Parts No. Index

Parts No.	Fig. No.	Ref. No.
24190-080001	13	11
24311-000070	14	117
	19	5
24311-000120	4	33
		69
	19	15
24311-000150	19	42 B
24311-000160	17	29
24311-000200	10	17
24311-000300	19	42 C
24311-000320	2	42
	4	70
	19	7
24311-240100	19	42 D
24316-240100	19	40
24321-000600	11	13
	19	25
24321-000700	19	41
24321-000750	17	30
24321-000850	19	42
24341-000530	9	12
	19	23
24351-030750	2	27
	19	6
24356-190200	14	68
		118
24356-240210	14	119
24372-000150	14	69
26106-060102	14	120
	15	60
		61
26106-060122	4	67
	15	135
26106-060142	15	79
26106-060162	12	31
	16	56
26106-060252	15	80
26106-060352	14	121
26106-060402	15	81
26106-080122	12	13
		22
26106-080142	4	28
	11	20
26106-080162	2	28
		29
		38
		41
	4	2
	7	8
	10	16

Parts No.	Fig. No.	Ref. No.
26106-080162	14	133
26106-080182	16	57
26106-080202	2	30
	11	21
	17	32
26106-080222	14	134
		136
	18	31
26106-080252	3	9
	13	27
26106-080302	3	14
	17	3
26106-080402	2	31
		32
	4	50
26106-080452	2	33
26106-080552	5	3
	7	14
	13	17
26106-080602	4	51
		52
	10	18
26106-080702	2	25
		26
	5	11
26106-080852	3	10
	5	4
	13	22
26106-081202	5	12
26106-100202	14	137
26116-050102	4	79
26116-060162	13	12
26216-100302	2	10
26226-080222	4	49
26306-080002	4	53
	8	3
26306-100002	2	34
	18	27
26450-100452	14	122
26577-060152	13	13
26756-060002	15	62
26776-180002	14	123
27241-300000	1	14
27241-400000	4	12
27310-070001	4	24
729900-02801	1	24
729906-01550	2	1
729907-22950	9	34
729908-22900	9	32
729908-53100	16	1

Parts No.	Fig. No.	Ref. No.
729972-01560	1	1
729972-51350	14	1
977770-1207F	19	44
X9490561001	18	3

Parts No.	Fig. No.	Ref. No.
-----------	----------	----------