

0CW10-M74900EN

P R E F A C E

1. This parts catalog is the 1st edition of 4TNV98T-SHYB for HYUNDAI HEAVY INDUSTRIES.

Pub.No. : 0CW10-G74900

Published : August, 2012

2. Model name

Engine model	Vehicle	Vehicle made by
4TNV98T-SHYB	EXCAVATOR	HYUNDAI HEAVY INDUSTRIES

Directions for the Parts Catalog.

1. This Parts Catalog shows both standard and optional parts.
2. Parts may change without prior notice.
3. The following is an example of the Parts Catalog format.

REF.	LEV.	PARTS NO.	DESCRIPTION	Q'TY						I	R
				(A)	(B)	(C)	(D)	(E)	(F)		
1	1	729595-51390	FUEL INJECTION PUMP	1	1	1	1	1			1
1-1	1	729595-51391	FUEL INJECTION PUMP	1	1	1	1	1		N	1
		(A=E00185) (B=E00200)									
3	2	26022-060162	SCREW M 6X 16	9	9	9	9	9			
3-1	2	26022-060162	SCREW M 6X 16	4	4	4	4	4		K	
		(A=E00156) (B=E00156) (C=E00156) (D=E00156) (E=E00156)									
4	2	129470-51040	CAMSHAFT	1	1	1	1	1			
5	2	122710-51050	BEARING, ROLLER	2	2	2	2	2			
6	2	129470-51060	RETAINER	1	1	1	1	1			

Remarks
(1) BOOST COMPEMSATOR TYPE. OPTIONAL PART, TO E00155,(4JH-DT, 4JH-DTZ

① Ref. No.

The Ref. No. listed may not be in accordance with the illustration Ref. No.

(Ex.) Illustration No.

List Ref No.

1 1 (Before change) → 1-1 (After change)

For interchangeable symbols N, R and K, illustrations for new parts may be abbreviated.

② Lev. (Level)

Level indication

The numbers below indicate the level of relativity towards the main part.

1 ---- Main parts (Assembly parts)

2 ---- Sub component included in " 1 ".

3 ---- Sub component included in " 2 ".

Note) Parts that are not for sale are partially illustrated but not listed.

③ Interchangeability Symbol

When a part change takes place, one of the following interchangeability symbols is indicated beside the part.

Symbol	Interchangeability	Contents note
N	Old $\begin{matrix} \leftarrow \text{Yes} \\ \text{No} \rightarrow \end{matrix}$ New	New Part is interchangeable for Old Part but Old Part is not interchangeable for New Part.
Q	Old $\begin{matrix} \leftarrow \text{No} \\ \text{Yes} \rightarrow \end{matrix}$ New	New Part is not interchangeable for Old Part but Old Part is interchangeable for New Part.
R	Old $\begin{matrix} \leftarrow \text{Yes} \\ \text{Yes} \rightarrow \end{matrix}$ New	New/ Old Parts are both interchangeable.
S	Old $\begin{matrix} \leftarrow \text{No} \\ \text{No} \rightarrow \end{matrix}$ New	New/ Old Parts are both not interchangeable.
W		Part newly added.
Z		Part discontinued.
F		Not interchangeable by a single part but interchangeable together with related parts.
K		Changes only for used parts quantities.

④ Effective Machine No.

When a part changes, the effective Machine No. will be indicated in the (A)-(F) column.

Product Symbol	Product No.	Product Symbol	Product No.
C	Clutch No. Compressor No.	F	Machine No. (Agricultural Equip.)
D	Drive No.	M	Machine No.
E	Engine No.		

Note 1) A date may follow the symbol. (Ex.) 1996.01

Note 2) "XXXXX" and "ZZZZZ" are for parts that could not be predicted or for engine models that could not be identified.

Note 3) (A=E00185) is the E (Engine Serial Number) for the column (A) model (in this case 4JH-DT) after the parts design change.

⑤ Remarks

Figures or alphabets (symbols) are entered in the remarks column.

The comments (remarks) on parts that are indicated at the bottom of the illustration are the same symbols as those stated above.

Contents

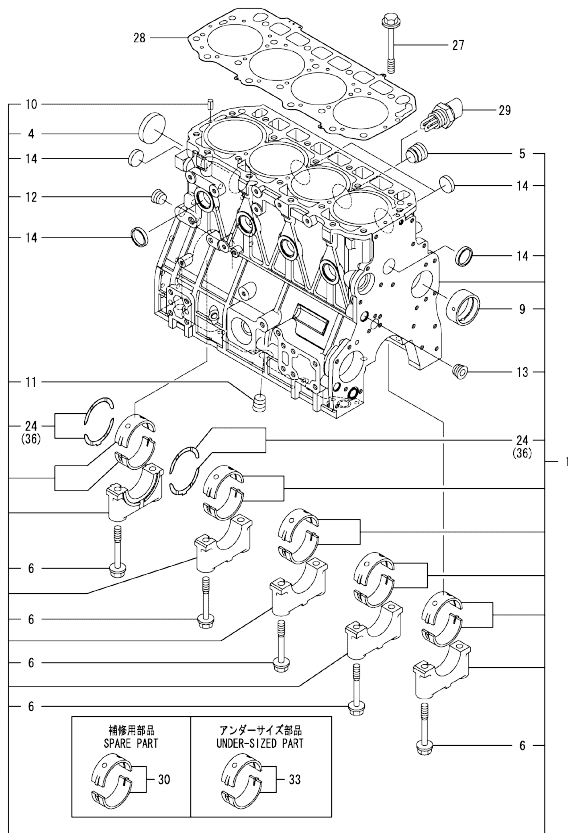
0CW10-M74900

Fig. No.	Fig. Name	Fig. No.	Fig. Name
4TNV98T-SHYB			
1.	CYLINDER BLOCK		
2.	GEAR HOUSING		
3.	FLYWHEEL HOUSING & OIL SUMP		
4.	CYLINDER HEAD & BONNET		
5.	SUCTION MANIFOLD & AIR CLEANER		
6.	EXHAUST MANIFOLD & SILENCER		
7.	CAMSHAFT & DRIVING GEAR		
8.	TURBINE		
9.	CRANKSHAFT & PISTON		
10.	LUB.OIL SYSTEM		
11.	LUB.OIL LINE		
12.	COOLING WATER SYSTEM		
13.	FUEL INJECTION PUMP		
14.	GOVERNOR		
15.	FUEL INJECTION VALVE		
16.	FUEL LINE		
17.	STARTING MOTOR		
18.	GENERATOR		
19.	GASKET SET		

Fig.1. CYLINDER BLOCK

(A)=4TNV98T-SHYB
(B)=
(C)=

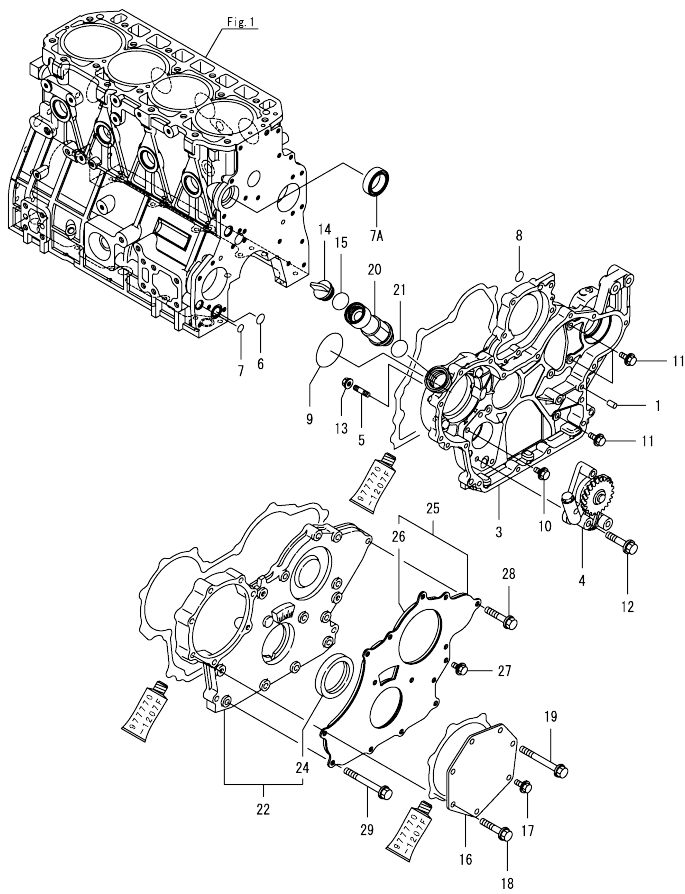
(D)=
(E)=
(F)=



No.	Lev.	Parts No.	Description	Q'ty						I	R	
				(A)	(B)	(C)	(D)	(E)	(F)			
1	1	729908-01560	BLOCK ASSY, CYLINDER	1								
4	2	129900-01250	PLUG, DISH TYPE 55	1								
5	2	171051-01921	PLUG, NPTF1	1								
6	2	129900-02020	BOLT, METAL CAP	10								
9	2	129900-02410	BUSH, CAMSHAFT	1								
10	2	22351-060012	PIN, SPRING 6.0X12	2								
11	2	23876-030000	PLUG, R03	1								
12	2	23876-030000	PLUG, R03	1								
13	2	23876-030000	PLUG, R03	1								
14	2	27241-300000	PLUG 30	8								
24	2	129900-02931	BEARING ASSY, THRUST	2								
27	1	129900-01200	BOLT, CYLINDER HEAD	18								
28	1	129907-01331	GASKET, HEAD	1								
29	1	46150-504500	HEATER	1								
30	1	729900-02801	BEARING, MAIN	5								1
33	1	129900-02341	BEARING ASSY, MAIN	5								2
36	1	129900-02941	BEARING, THRUST 0.25	2								3

Remarks
(1)Spare part.
(2)Under-sized(U.S.=0.25)part.
(3)Over-sized(O.S.=0.25)part.

Fig.2. GEAR HOUSING

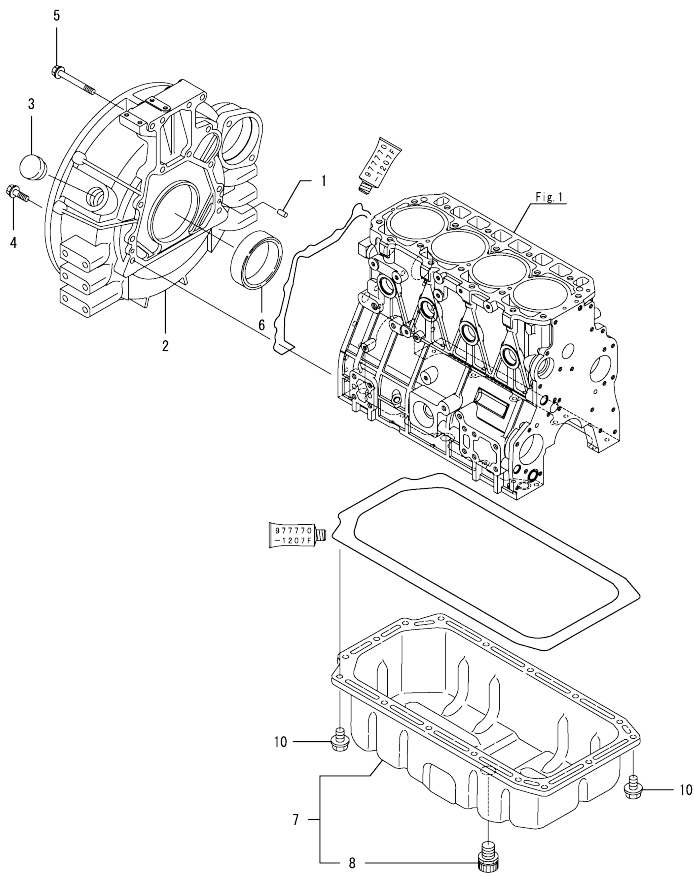


(A)=4TNV98T-SHYB
(B)=
(C)=

(D)=
(E)=
(F)=

No.	Lev.	Parts No.	Description	Q'ty						I	R
				(A)	(B)	(C)	(D)	(E)	(F)		
1	1	129100-01580	PIN, PARALLEL 8X16	4							
3	1	129935-01500	CASE, GEAR	1							
4	1	129908-32060	PUMP ASSY, OIL	1							
5	1	26216-100302	STUD, M10X 30	4							
6	1	129900-32030	O-RING, P20	1							
7	1	129900-32040	O-RING, P14	1							
7A	1	129927-42140	GASKET, PUMP OUTLET	1							W
(A="2014,09)											
8	1	24311-000070	O-RING, 1AP7.0	1							
9	1	24351-030750	O-RING, 1A3075	1							
10	1	26106-080162	BOLT, M8X 16 PLATED	1							
11	1	26106-080202	BOLT, M8X 20 PLATED	3							
12	1	26106-080452	BOLT, M8X 45 PLATED	3							
13	1	26306-100002	NUT, M10	4							
14	1	124160-01751	CAP, FILLER	1							
15	1	24311-000320	O-RING, 1AP32.0	1							
16	1	129951-01740	COVER	1							
17	1	26106-080202	BOLT, M8X 20 PLATED	1							
18	1	26106-080452	BOLT, M8X 45 PLATED	5							
19	1	26106-080752	BOLT, M8X 75 PLATED	1							
20	1	171031-11741	PIPE	1							
21	1	24311-000320	O-RING, 1AP32.0	1							
22	1	729907-01559	COVER ASSY,GEAR CASE	1							
24	2	129916-01800	SEAL, OIL	1							
25	1	129900-01850	COVER ASSY,GEAR CASE	1							
26	2	129900-01870	SPONGE, GEAR CASE	1							
27	1	26106-080162	BOLT, M8X 16 PLATED	3							
28	1	26106-080402	BOLT, M8X 40 PLATED	5							
29	1	26106-080702	BOLT, M8X 70 PLATED	6							

Fig.3. FLYWHEEL HOUSING & OIL SUMP

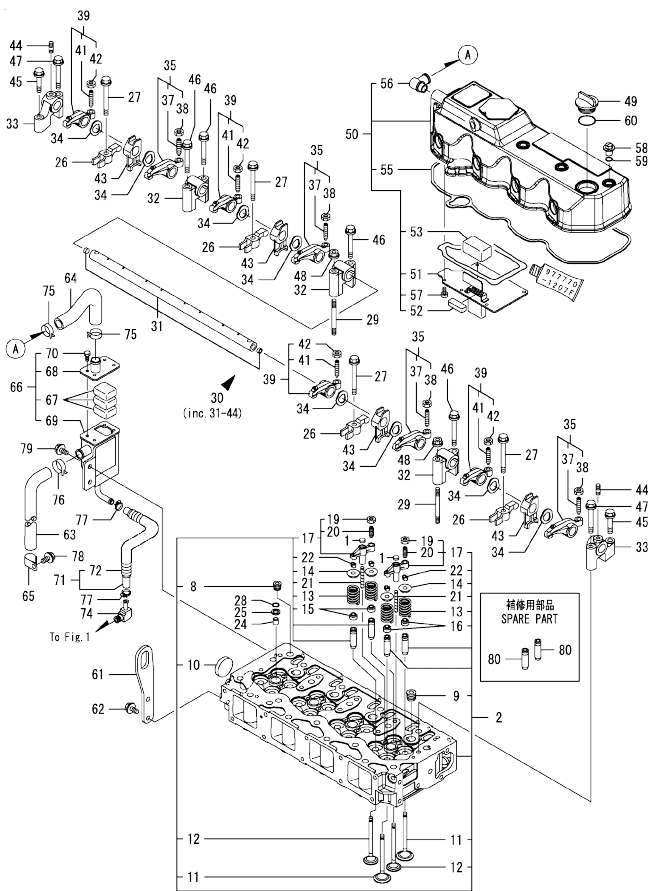


(A)=4TNV98T-SHYB
(B)=
(C)=

(D)=
(E)=
(F)=

No.	Lev.	Parts No.	Description	Q'ty						I	R
				(A)	(B)	(C)	(D)	(E)	(F)		
1	1	129100-01580	PIN, PARALLEL 8X16	2							
2	1	129981-01600	HOUSING, FLYWHEEL	1							
3	1	119620-01750	CAP	1							
4	1	26206-100352	BOLT, M10X 35 PLATED	9							
5	1	26206-100702	BOLT, M10X 70 PLATED	4							
6	1	129916-01790	SEAL, D115/95XT11	1							
7	1	129940-01720	OIL PAN ASSY	1							
8	2	129906-01640	COCK, DRAIN	1							
10	1	26106-080122	BOLT, M8X 12 PLATED	16							

Fig.4. CYLINDER HEAD & BONNET



(A)=4TNV98T-SHYB
(B)=
(C)=

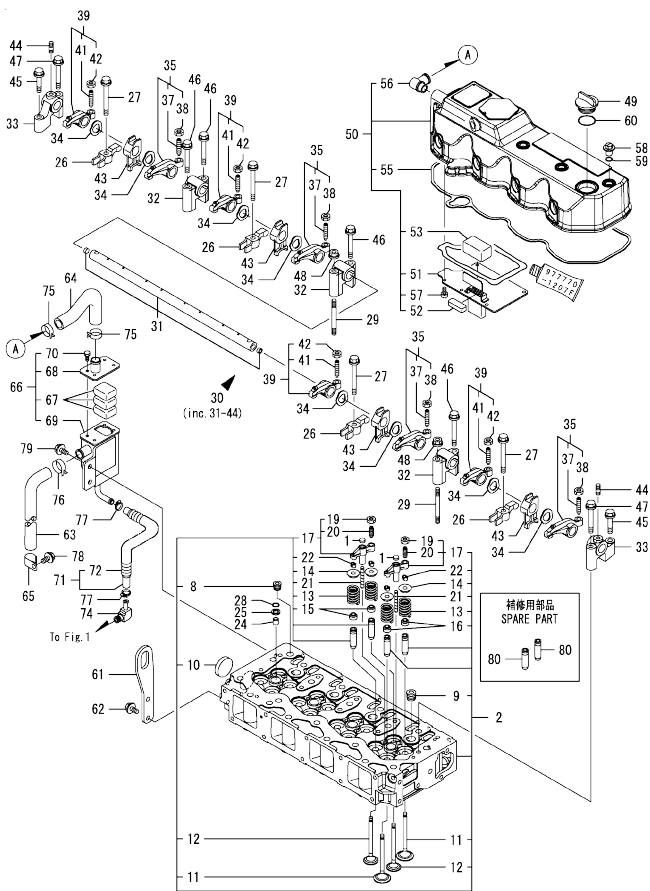
(D)=
(E)=
(F)=

No.	Lev.	Parts No.	Description	Q'ty						I	R
				(A)	(B)	(C)	(D)	(E)	(F)		
1	1	123907-11550	SEAT, VALVE BRIDGE	8							
2	1	129908-11700	HEAD ASSY, CYLINDER	1							
8	2	23876-020000	PLUG, R02	1							
9	2	23876-030000	PLUG, R03	4							
10	2	27241-400000	PLUG, 40	1							
11	2	129907-11100	VALVE, SUCTION	8							
12	2	129907-11110	VALVE, EXHAUST	8							
13	2	129907-11120	SPRING, VALVE	16							
14	2	119620-11180	RETAINER, SPRING	16							
15	2	119803-11340	SEAL, VALVE STEM	8							
16	2	124160-11340	SEAL, VALVE STEM	8							
17	2	129907-11510	BRIDGE ASSY, VALVE	8							
19	3	129150-11750	NUT, M8	8							
20	3	123907-11830	ADJUSTER	8							
21	2	123907-11820	GUIDE, BRIDGE	8							
22	2	27310-070001	COTTER, 7	16							
24	1	119802-11870	PROTECTOR, NOZZLE	4							
25	1	119625-11880	SEAT, NOZZLE	4							
26	1	129907-11910	RETAINER, NOZZLE	4							
27	1	129907-11950	BOLT, M8X75	4							
28	1	24311-000120	O-RING, 1AP12.0	4							
29	1	119593-11301	BOLT, STUD M8X80	2							
30	1	129907-11341	SHAFT ASSY, ROCKER	1							
31	2	129907-11250	SHAFT, ROCKER ARM	1							
32	2	129907-11260	SUPPORT, ROCKER ARM	3							
33	2	129907-11270	SUPPORT, ROCKER ARM	2							
34	2	123907-11280	WASHER	8							
35	2	129907-11650	ARM ASSY, ROCKER	4							
37	3	129150-11230	SCREW, VALVE ADJUST	4							
38	3	129150-11750	NUT, M8	4							
39	2	129907-11660	ARM ASSY, ROCKER	4							
41	3	129150-11230	SCREW, VALVE ADJUST	4							
42	3	129150-11750	NUT, M8	4							
43	2	129907-11920	RETAINER, NOZZLE	4							
44	2	26226-080222	STUD, M8X 22	2							
45	1	26106-080402	BOLT, M8X 40 PLATED	2							
46	1	26106-080602	BOLT, M8X 60 PLATED	4							
47	1	26106-080602	BOLT, M8X 60 PLATED	2							
48	1	26306-080002	NUT, M8	2							
49	1	124160-01751	CAP, FILLER	1							
50	1	129933-11320	BONNET ASSY, HEAD	1							
51	2	129907-03011	PLATE, BAFFLE	1							
52	2	129907-03061	BAFFLE, BREATHER	1							
53	2	129907-03070	BAFFLE, BREATHER	1							
55	2	129933-11310	GASKET, BONNET	1							
56	2	119100-11330	ELBOW, BREATHER	1							
57	2	22857-500100	SCREW, 5X10	6							
58	1	124160-11360	KNOB	4							
59	1	24311-000120	O-RING, 1AP12.0	4							
60	1	24311-000320	O-RING, 1AP32.0	1							
61	1	129907-07900	LIFTER, ENGINE	1							

Remarks
(1)Spare part.

N:Old $\frac{100}{100}$ New, Q:Old $\frac{100}{100}$ New, R:Old $\frac{100}{100}$ New, S:Old $\frac{100}{100}$ New, W:Add, Z:Discontinued, F:Interchangeable by set, K:Q'ty Change
++ CONTINUE ++
Copyright (C) YANMAR CO., LTD. All Rights Reserved.

Fig.4. CYLINDER HEAD & BONNET



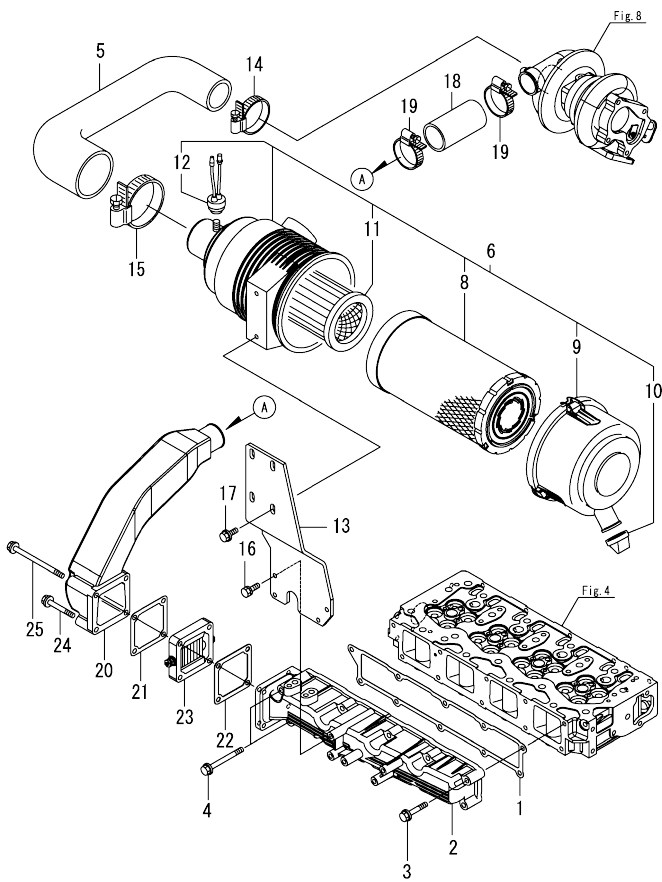
(A)=4TNV98T-SHYB
(B)=
(C)=

(D)=
(E)=
(F)=

No.	Lev.	Parts No.	Description	Q'ty						I	R
				(A)	(B)	(C)	(D)	(E)	(F)		
62	1	26106-080162	BOLT, M8X 16 PLATED	2							
63	1	119006-03090	HOSE, BREATHER	1							
64	1	129908-03099	HOSE, BREATHER	1							
65	1	129150-03100	RETAINER, PIPE	1							
66	1	129908-03230	BREATHER ASSY	1							
67	2	123901-03240	FILTER	3							
68	2	129908-03240	COVER, BREATHER	1							
69	2	129908-03250	BREATHER	1							
70	2	26116-050102	BOLT, M5X 10 PLATED	4							
71	1	129935-03260	HOSE ASSY, RETURN	1							
72	2	129935-03270	TUBE, CORRUGATED	1							
74	1	123901-03280	ELBOW, PT3/8-10	1							
75	1	129410-03990	CLAMP, HOSE 21.5	2							
76	1	129960-03990	CLAMP, HOSE 19.8	1							
77	1	23000-022000	CLAMP, 22	2							
78	1	26106-080122	BOLT, M8X 12 PLATED	1							
79	1	26106-080142	BOLT, M8X 14 PLATED	2							
80	1	129907-11800	GUIDE, VALVE	16							1

Remarks
(1)Spare part.

Fig.5. SUCTION MANIFOLD & AIR CLEANER

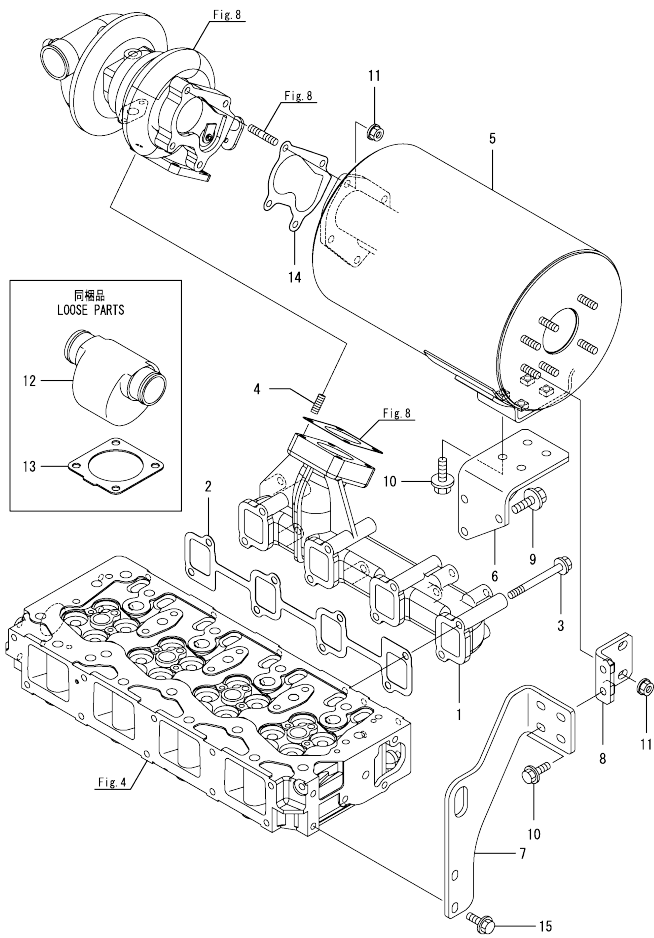


(A)=4TNV98T-SHYB
(B)=
(C)=

(D)=
(E)=
(F)=

No.	Lev.	Parts No.	Description	Q'ty						I	R
				(A)	(B)	(C)	(D)	(E)	(F)		
1	1	129907-12110	GASKET, MANIFOLD	1							
2	1	129944-12111	MANIFOLD, AIR INTAKE	1							
3	1	26106-080452	BOLT, M8X 45 PLATED	8							
4	1	26106-080802	BOLT, M8X 80 PLATED	2							
5	1	129935-12070	HOSE, AIR INTAKE	1							
6	1	129935-12500	AIR CLEANER ASSY	1							
8	2	129935-12520	ELEMENT, OUTER	1							
9	2	119160-12530	COVER ASSY	1							
10	2	119160-12540	VALVE	1							
11	2	119160-12570	ELEMENT, INNER	1							
12	2	119140-12680	INDICATOR, CLEANER	1							
13	1	129944-12620	BRACKET, CLEANER	1							
14	1	23000-060000	CLAMP, 60	1							
15	1	23000-090000	CLAMP, 90	1							
16	1	26013-080222	BOLT, SPRING M8X 22	4							
17	1	26106-080202	BOLT, M8X 20 PLATED	2							
18	1	123951-18220	JOINT, RUBBER	1							
19	1	23000-054000	CLAMP, 54	2							
20	1	129935-18350	DUCT, AIR	1							
21	1	119129-77020	GASKET	1							
22	1	121850-77021	GASKET, AIR HEATER	1							
23	1	119005-77051	HEATER, AIR	1							
24	1	26106-080702	BOLT, M8X 70 PLATED	2							
25	1	26106-080902	BOLT, M8X 90 PLATED	2							

Fig.6. EXHAUST MANIFOLD & SILENCER

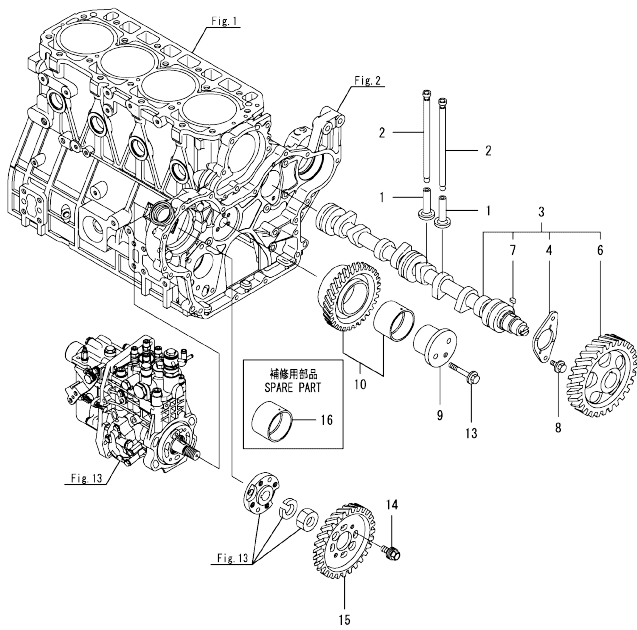


(A)=4TNV98T-SHYB
(B)=
(C)=

(D)=
(E)=
(F)=

No.	Lev.	Parts No.	Description	Q'ty						I	R
				(A)	(B)	(C)	(D)	(E)	(F)		
1	1	129935-13100	MANIFOLD, EXHAUST	1							
2	1	129900-13251	GASKET, EXH.MANIFOLD	1							
3	1	123900-13630	BOLT, M8X80	8							
4	1	129418-18320	BOLT, STUD M8X20	4							
5	1	129908-13510	SILENCER	1							
6	1	129935-13600	STAY, SILENCER	1							
7	1	129937-13621	HEAD STAY, SILENCER	1							
8	1	129935-13630	STAY, SILENCER	1							
9	1	26106-080162	BOLT, M8X 16 PLATED	3							
10	1	26106-080202	BOLT, M8X 20 PLATED	6							
11	1	26306-080002	NUT, M8	6							
12	1	119005-12060	SILENCER, INTAKE	1							
13	1	129930-13201	GASKET, SILENCER	1							
14	1	123901-18080	GASKET	1							
15	1	26106-080162	BOLT, M8X 16 PLATED	2							

Fig.7. CAMSHAFT & DRIVING GEAR



(A)=4TNV98T-SHYB
(B)=
(C)=

(D)=
(E)=
(F)=

No.	Lev.	Parts No.	Description	Q'ty						I	R
				(A)	(B)	(C)	(D)	(E)	(F)		
1	1	129150-14200	TAPPET	8							
2	1	129907-14400	PUSH-ROD	8							
3	1	129908-14581	CAMSHAFT ASSY	1							
4	2	129150-02450	BEARING, THRUST	1							
6	2	129900-14100	GEAR, CAMSHAFT	1							
7	2	22512-070140	KEY, 7X 14	1							
8	1	26106-080162	BOLT, M8X 16 PLATED	2							
9	1	123900-25060	SHAFT, IDLE GEAR	1							
10	1	129900-25100	GEAR ASSY, IDLE	1							
13	1	26106-080552	BOLT, M8X 55 PLATED	3							
14	1	129953-25300	BOLT	4							
15	1	129907-25900	GEAR, PUMP	1							
16	1	129150-25920	BUSH, IDLE GEAR	1							1

Remarks
(1)Spare part.

Fig.8. TURBINE

(A)=4TNV98T-SHYB
(B)=
(C)=

(D)=
(E)=
(F)=

No.	Lev.	Parts No.	Description	Q'ty						
				(A)	(B)	(C)	(D)	(E)	(F)	
1	1	129935-18010	TURBOCHARGER, RHF5	1						
2	1	129472-18090	GASKET	1						
3	1	119131-18320	BOLT, STUD M8X22	4						
4	1	26306-080002	NUT, M8	4						

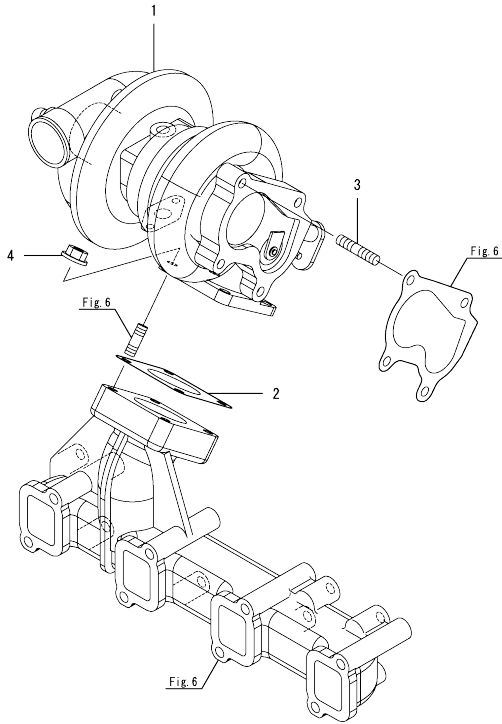
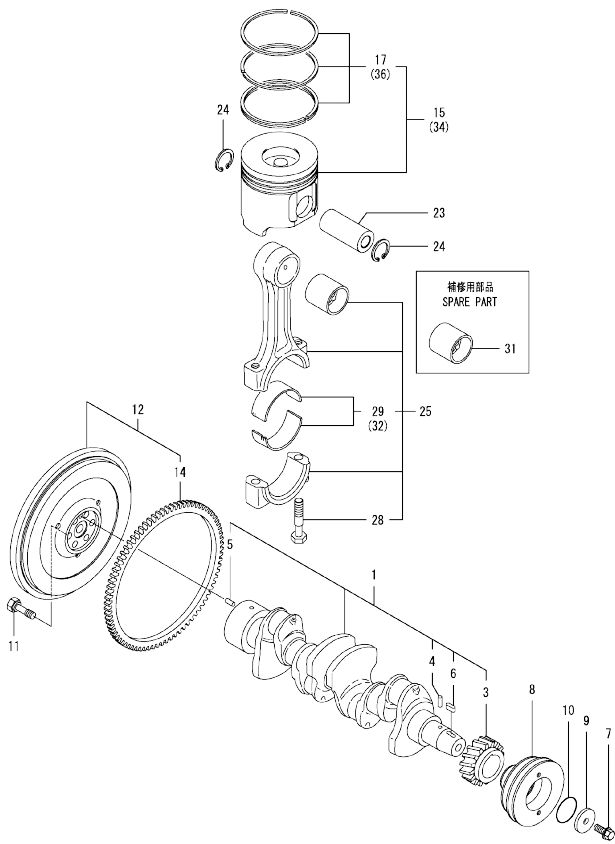


Fig.9. CRANKSHAFT & PISTON



(A)=4TNV98T-SHYB
(B)=
(C)=

(D)=
(E)=
(F)=

No.	Lev.	Parts No.	Description	Q'ty						I	R
				(A)	(B)	(C)	(D)	(E)	(F)		
1	1	129908-21000	CRANKSHAFT ASSY	1							
3	2	129900-21200	GEAR, CRANKSHAFT	1							
4	2	121850-21290	PIN	1							
5	2	121850-21920	PIN, PARALLEL 10X22	1							
6	2	22512-070140	KEY, 7X 14	1							
7	1	129916-21610	BOLT	1							
8	1	129916-21620	V-PULLEY, CRANKSHAFT	1							
9	1	129960-21640	WASHER	1							
10	1	24341-000530	O-RING, 1AS53,0	1							
11	1	121850-21130	BOLT, FLYWHEEL	6							
12	1	129953-21581	FLYWHEEL ASSY	1							
14	2	129900-21600	GEAR, RING	1							
15	1	129908-22080	PISTON ASSY	4							
17	2	129907-22051	RING SET, PISTON	4							
23	1	120130-22301	PIN, PISTON	4							
24	1	22252-000300	RING, 30	8							
25	1	129900-23001	ROD ASSY, CONNECTING	4							
28	2	129900-23200	BOLT, CONNECTING ROD	8							
29	2	129900-23601	BEARING, CRANK PIN	4							
31	1	129900-23911	BEARING, PISTON PIN	4							1
32	1	129900-23611	BEARING ASSY, 0.25US	4							2
34	1	729908-22900	PISTON ASSY, 0.25 OS	4							3
36	2	729907-22950	RING SET, 0.25 OS	4							3

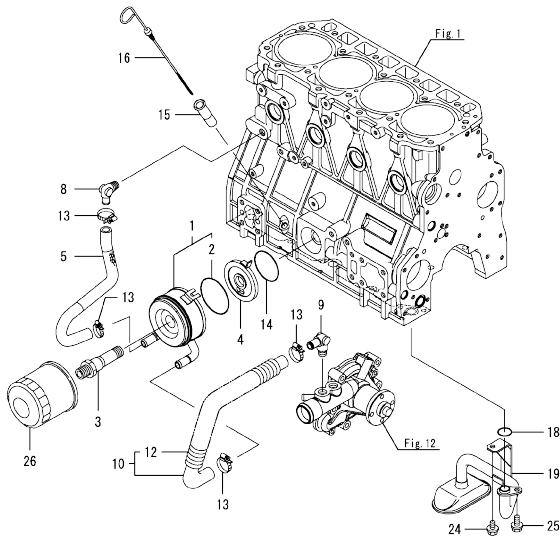
Remarks
(1)Spare part.
(2)Under-sized(U.S.=0.25)part.
(3)Over-sized(O.S.=0.25)part.

Fig.10. LUB.OIL SYSTEM

(A)=4TNV98T-SHYB
(B)=
(C)=

(D)=
(E)=
(F)=

No.	Lev.	Parts No.	Description	Q'ty						I	R
				(A)	(B)	(C)	(D)	(E)	(F)		
1	1	129907-33010	COOLER ASSY, OIL	1							
2	2	123912-33050	O-RING	1							
3	1	123912-33100	BOLT, COOLER	1							
4	1	129908-33101	BRACKET, OIL COOLER	1							
5	1	129907-49050	PIPE ASSY, WATER	1							
8	1	129103-49301	ELBOW, PT1/4	1							
9	1	129466-49300	ELBOW, PT3/8	1							
10	1	129907-49630	PIPE ASSY, WATER	1							
12	2	129907-49650	TUBE, CORRUGATED	1							
13	1	23000-025000	CLAMP, 25	4							
14	1	24321-000600	O-RING, 1AG60,0	1							
15	1	121520-34810	GUIDE, DIPSTICK	1							
16	1	129906-34851	DIPSTICK	1							
18	1	129900-32030	O-RING, P20	1							
19	1	129953-35000	PIPE ASSY, OIL INLET	1							
24	1	26106-080122	BOLT, M8X 12 PLATED	1							
25	1	26106-080162	BOLT, M8X 16 PLATED	1							
26	1	119005-35151	FILTER, D80X100	1							1

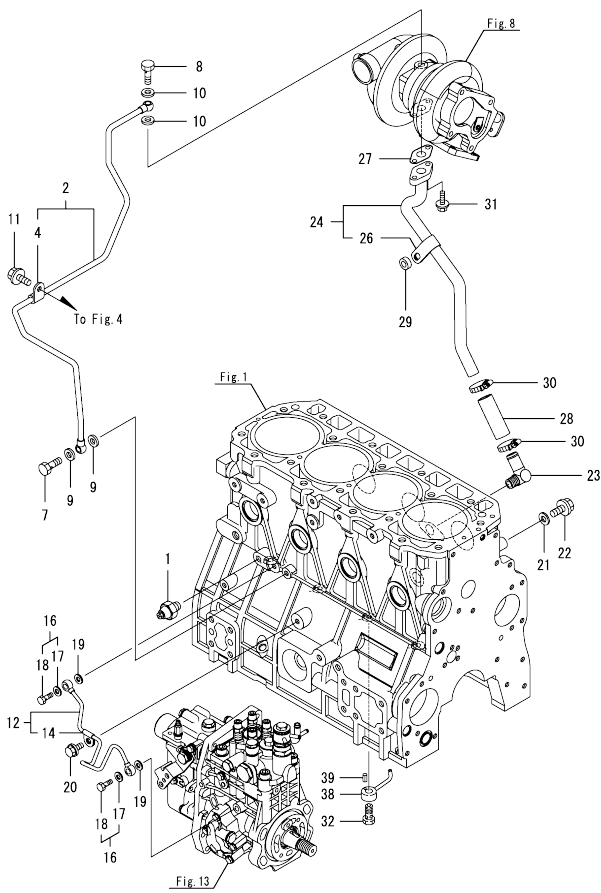


Remarks
(1)Spare part.

Fig.11. LUB.OIL LINE

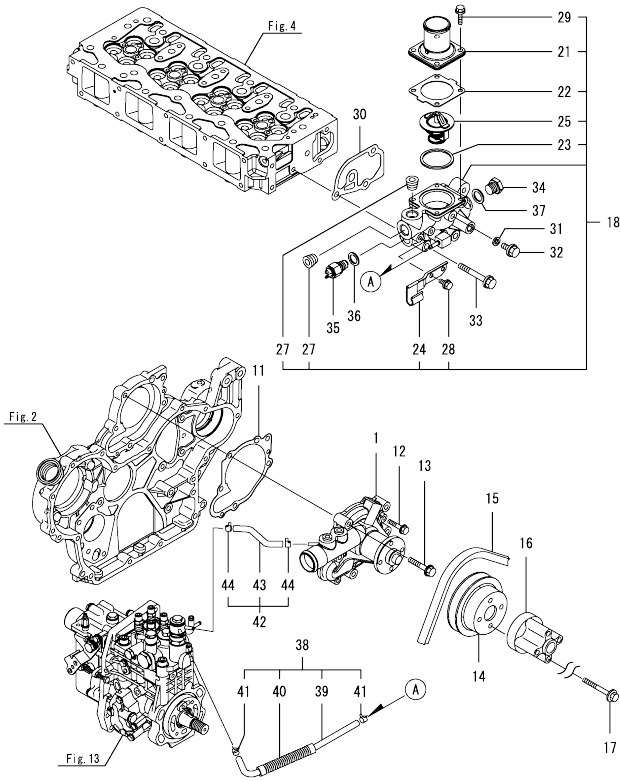
(A)=4TNV98T-SHYB
(B)=
(C)=

(D)=
(E)=
(F)=



No.	Lev.	Parts No.	Description	Q'ty						I	R
				(A)	(B)	(C)	(D)	(E)	(F)		
1	1	121252-39450	SWITCH, HYDRAULIC	1							
2	1	129935-39040	PIPE ASSY, OIL	1							
4	2	124223-39900	RETAINER	1							
7	1	105010-39140	BOLT, PIPE JOINT	1							
8	1	121252-39150	BOLT, JOINT M10X1,5	1							
9	1	22190-080002	WASHER, SEAL 6	2							
10	1	23414-100000	GASKET, 10X1,0	2							
11	1	26106-080122	BOLT, M8X 12 PLATED	1							
12	1	129907-39061	PIPE ASSY, OIL	1							
14	2	123907-39500	RETAINER, PIPE	1							
16	1	129005-59630	BOLT ASSY, JOINT M8	2							
17	2	22190-080002	WASHER, SEAL 6	2							
18	2	23857-030000	BOLT, JOINT 3	2							
19	1	22190-080002	WASHER, SEAL 6	2							
20	1	26106-080122	BOLT, M8X 12 PLATED	1							
21	1	22190-080002	WASHER, SEAL 6	1							
22	1	26106-080122	BOLT, M8X 12 PLATED	1							
23	1	124070-13300	ELBOW, PT3/8	1							
24	1	129935-39610	PIPE, OIL	1							
26	2	123910-39850	RETAINER	1							
27	1	129908-39690	GASKET	1							
28	1	123901-39820	HOSE, LO RETURN	1							
29	1	106500-44810	SPACER, PULLEY	1							
30	1	23000-025000	CLAMP, 25	2							
31	1	26106-060162	BOLT, M6X 16 PLATED	2							
32	1	129908-39410	VALVE ASSY, CHECK	4							
38	1	119000-39650	NOZZLE, COOLING	4							
39	1	22351-030010	PIN, SPRING 3.0X10	4							

Fig.12. COOLING WATER SYSTEM

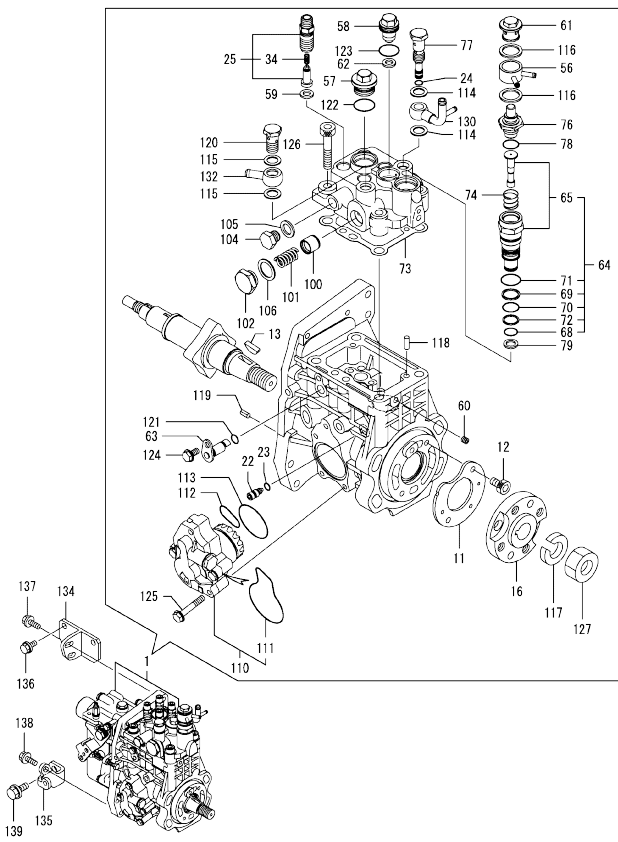


(A)=4TNV98T-SHYB
(B)=
(C)=

(D)=
(E)=
(F)=

No.	Lev.	Parts No.	Description	Q'ty						I	R
				(A)	(B)	(C)	(D)	(E)	(F)		
1	1	129907-42001	PUMP ASSY, WATER	1							
11	1	129900-42020	GASKET, WATER PUMP	1							
12	1	26106-060302	BOLT, M6X 30 PLATED	2							
13	1	26106-080552	BOLT, M8X 55 PLATED	5							
14	1	129928-42410	V-PULLEY, C.W,PUMP	1							
15	1	25153-004400	V-BELT, B44	1							
16	1	119117-44760	SPACER, FAN	1							
17	1	26106-080802	BOLT, M8X 80 PLATED	4							
18	1	129946-49810	CASE ASSY,THERMOSTAT	1							
21	2	129916-49530	COVER, THERMOSTAT	1							
22	2	121850-49540	GASKET, THERMOSTAT	1							
23	2	121850-49550	GASKET, THERMOSTAT	1							
24	2	129907-49730	RETAINER, PIPE	1							
25	2	121850-49801	THERMOSTAT, 82C	1							
27	2	23875-030000	PLUG, R03	2							
28	2	26106-060122	BOLT, M6X 12 PLATED	1							
29	2	26106-060202	BOLT, M6X 20 PLATED	4							
30	1	129900-49870	GASKET, THERMOSTAT	1							
31	1	23414-080000	GASKET, 8X1.0	1							
32	1	26106-080122	BOLT, M8X 12 PLATED	1							
33	1	26106-080602	BOLT, M8X 60 PLATED	3							
34	1	121450-42450	PLUG, M16	1							
35	1	121250-44901	SWTCH, THERMO 110	1							
36	1	124465-44950	GASKET, 16	1							
37	1	124465-44950	GASKET, 16	1							
38	1	129907-49810	HOSE ASSY, WATER	1							
39	2	129907-49710	HOSE, WATER	1							
40	2	129907-49750	TUBE, CORRUGATED	1							
41	2	124722-59050	CLAMP, HOSE 9	2							
42	1	129907-49620	HOSE ASSY, WATER	1							
43	2	129907-49720	HOSE, WATER	1							
44	2	124722-59050	CLAMP, HOSE 9	2							

Fig.13. FUEL INJECTION PUMP



(A)=4TNV98T-SHYB
(B)=
(C)=

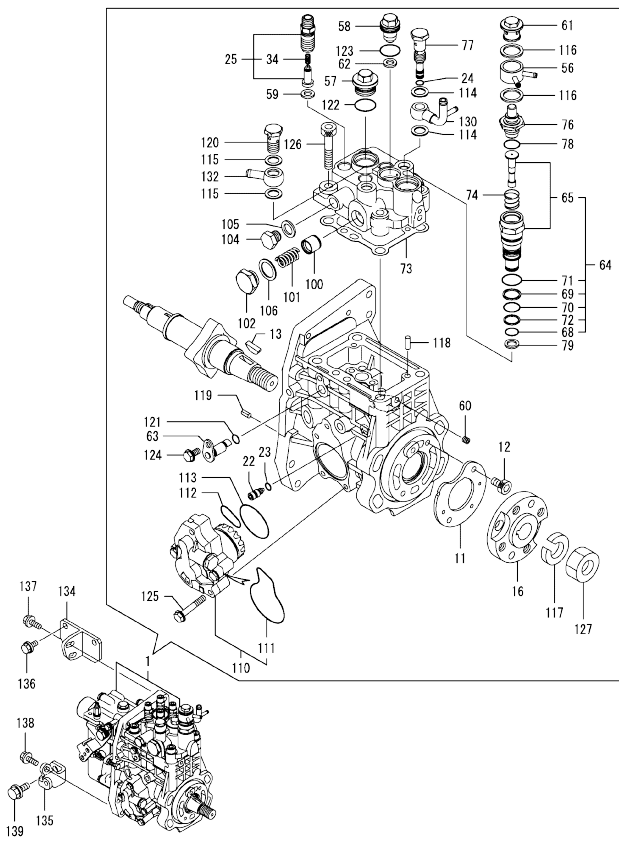
(D)=
(E)=
(F)=

No.	Lev.	Parts No.	Description	Q'ty						I	R
				(A)	(B)	(C)	(D)	(E)	(F)		
1	1	729933-51360	FIE ASSY	1							1
11	2	129928-51900	COVER	1							
12	2	129008-51920	BOLT, SOCKET M6X10	2							
13	2	144626-51090	FEATHER KEY, 5X19	1							
16	2	158563-51150	FLANGE	1							
22	2	158600-51270	STOPPER, TAPPET	1							
23	2	158563-51281	O-RING, 4D S6	1							
24	2	158563-51281	O-RING, 4D S6	1							
25	2	129509-51390	VALVE ASSY, DELIVERY	4							
34	3	158563-51330	SPRING, DELIVERY	4							
56	2	158553-51551	JOINT, COOLING WATER	1							
57	2	158601-51550	PLUG, M22	1							
58	2	129907-51560	PLUG, M16	1							
59	2	158552-51571	GASKET, PLUG	4							
60	2	158557-51570	PLUG, RACK	1							
61	2	158601-51570	PLUG	1							
62	2	129906-51580	GASKET, PLUG	1							
63	2	158552-51580	LIFTER, LINK	1							
64	2	119802-51590	TIMER ASSY	1							
65	3	119802-51600	TIMER ASSY	1							
68	3	158553-51670	O-RING	1							
69	3	119802-51680	RING, BACKUP	1							
70	3	119802-51690	O-RING	1							
71	3	24356-190200	O-RING, 4D19020	1							
72	3	24372-000150	RING, BACK UP T2P15	1							
73	2	158560-51600	GASKET	1							
74	2	158553-51630	SPRING, TIMER	1							
76	2	158553-51640	THERMOELEMENT	1							
77	2	158601-51650	JOINT, OVER FLOW	1							
78	2	158553-51660	O-RING, P14	1							
79	2	158553-51680	GASKET, TIMER	1							
100	2	158601-51770	PISTON, ACCUMULATOR	1							
101	2	158552-51781	SPRING, ACCUMULATOR	1							
102	2	158601-51790	PLUG	1							
104	2	158553-51930	PLUG, M12	1							
105	2	22190-120002	WASHER, SEAL 12	1							
106	2	22190-180002	WASHER, SEAL 18	1							
110	2	158552-52100	PUMP ASSY, FUEL FEED	1							
111	3	158552-52500	O-RING	1							
112	2	158552-52311	O-RING	1							
113	2	158552-52400	O-RING, 4E S42	1							
114	2	22190-120002	WASHER, SEAL 12	2							
115	2	22190-120002	WASHER, SEAL 12	2							
116	2	22190-180002	WASHER, SEAL 18	2							
117	2	22217-180000	WASHER, SPRING 18	1							
118	2	22312-050140	PIN, PARALLEL M5X14	2							
119	2	22351-050010	PIN, SPRING 5.0X10	2							
120	2	23857-060000	BOLT, JOINT 6	1							
121	2	24311-000070	O-RING, 1AP7.0	1							
122	2	24356-190200	O-RING, 4D19020	1							
123	2	24356-240210	O-RING, 4D24021	1							

Remarks
(1)Governor(Fig.14)is incorporated in this Fuel Injection Pump (Ref.1).

N:Old $\frac{New}{Old}$ New, Q:Old $\frac{New}{Old}$ New, R:Old $\frac{New}{Old}$ New, S:Old $\frac{New}{Old}$ New, W:Add, Z:Discontinued, F:Interchangeable by set, K:Q'ty Change
++ CONTINUE ++
Copyright (C) YANMAR CO., LTD. All Rights Reserved.

Fig.13. FUEL INJECTION PUMP



(A)=4TNV98T-SHYB
(B)=
(C)=

(D)=
(E)=
(F)=

No.	Lev.	Parts No.	Description	Q'ty						I	R
				(A)	(B)	(C)	(D)	(E)	(F)		
124	2	26106-060102	BOLT, M6X 10 PLATED	1							
125	2	26106-060352	BOLT, M6X 35 PLATED	4							
126	2	26450-100452	BOLT, M10X 45	4							
127	2	26776-180002	NUT, LOCK M18	1							
130	2	158552-51670	JOINT, OVER FLOW	1							
132	2	129916-59020	JOINT, PIPE 12	1							
134	1	129907-01950	RETAINER, PUMP	1							
135	1	129906-01960	RETAINER, PUMP	1							
136	1	26106-080162	BOLT, M8X 16 PLATED	2							
137	1	26106-080222	BOLT, M8X 22 PLATED	2							
138	1	26106-080222	BOLT, M8X 22 PLATED	1							
139	1	26106-100202	BOLT, M10X 20 PLATED	1							

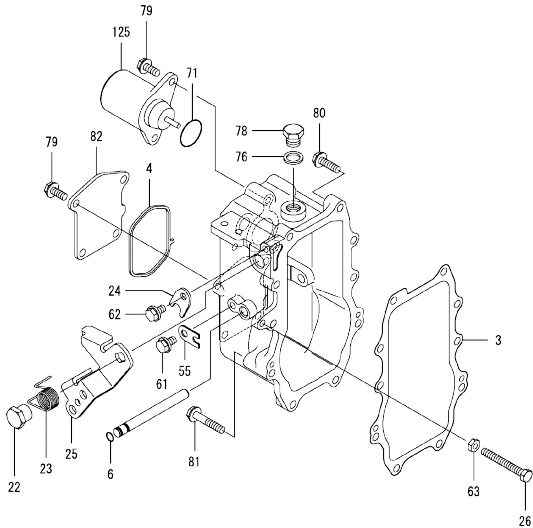
Remarks
(1)Governor(Fig.14)is incorporated in this Fuel Injection Pump (Ref.1).

N:Old $\frac{100}{100}$ New, Q:Old $\frac{100}{100}$ New, R:Old $\frac{100}{100}$ New, S:Old $\frac{100}{100}$ New, W:Add, Z:Discontinued, F:Interchangeable by set, K:Q'ty Change
Copyright (C) YANMAR CO., LTD. All Rights Reserved.

Fig.14. GOVERNOR

(A)=4TNV98T-SHYB
(B)=
(C)=

(D)=
(E)=
(F)=



No.	Lev.	Parts No.	Description	Q'ty						I	R
				(A)	(B)	(C)	(D)	(E)	(F)		
3	2	158560-61050	GASKET	1							
4	2	158560-61071	GASKET	1							
6	2	129155-51280	O-RING, S6	1							
22	2	129255-61410	NUT, M8	1							
23	2	119807-61420	SPRING, RETURN	1							
24	2	158560-61430	STOPPER, SHAFT	1							
25	2	158560-61442	LEVER, REGULATOR	1							
26	2	129155-61460	BOLT, LIMITING	1							
55	2	119660-61901	STOPPER, SHAFT	1							
61	2	26106-060102	BOLT, M6X 10 PLATED	1							
62	2	26106-060102	BOLT, M6X 10 PLATED	1							
63	2	26756-060002	NUT, LOCK M6	1							
71	2	158552-61900	O-RING	1							
76	2	22190-160002	WASHER, SEAL 16	1							
78	2	23887-160002	PLUG, 16	1							
79	2	26106-060142	BOLT, M6X 14 PLATED	6							
80	2	26106-060252	BOLT, M6X 25 PLATED	8							
81	2	26106-060402	BOLT, M6X 40 PLATED	2							
82	2	158560-61061	COVER, GOVERNOR CASE	1							
125	2	119233-77932	SOLENOID, STOP	1							

Remarks
*This figure(Governor)is incorporated
in the Fuel Injection Pump (Fig.13).

Fig.15. FUEL INJECTION VALVE

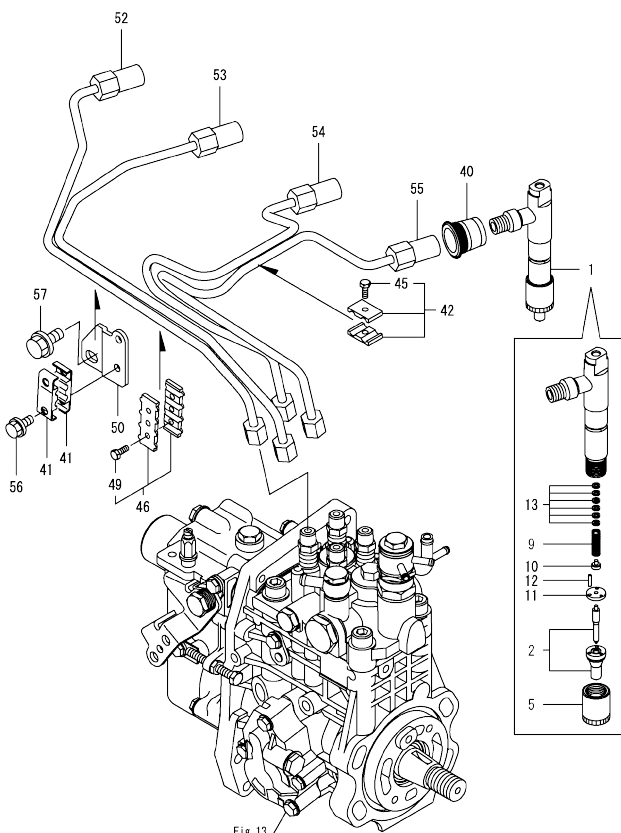


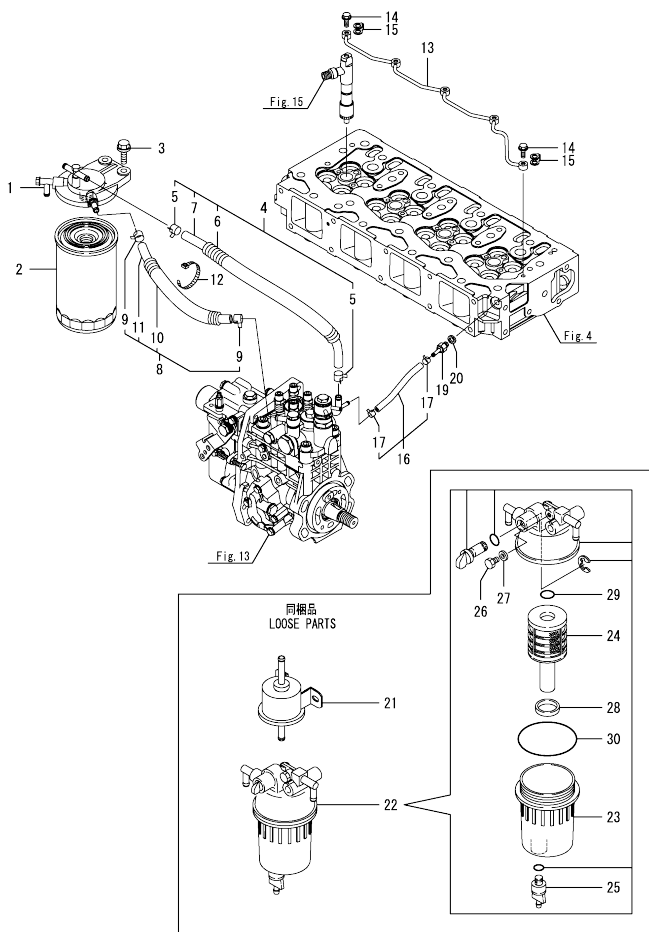
Fig.13

(A)=4TNV98T-SHYB
(B)=
(C)=

(D)=
(E)=
(F)=

No.	Lev.	Parts No.	Description	Q'ty						I	R
				(A)	(B)	(C)	(D)	(E)	(F)		
1	1	729933-53100	FUEL INJECTOR ASSY	4							
2	2	129933-53000	NOZZLE ASSY, F.I.	4							
5	2	114250-53080	NUT, NOZZLE	4							
9	2	114250-53120	SPRING, NOZZLE	4							
10	2	114250-53130	SEAT, SPRING	4							
11	2	114250-53140	SPACER	4							
12	2	114250-53210	PIN	8							
13	2	119803-53400	SHIM SET	4							
40	1	123907-11601	SEAL, PIPE	4							
41	1	122780-59100	RETAINER	2							
42	1	119305-59120	RETAINER, PIPE	1							
45	2	129150-59131	BOLT, M4X14	1							
46	1	129550-59120	RETAINER, PIPE	1							
49	2	129150-59131	BOLT, M4X14	2							
50	1	129907-59720	SUPPORT	1							
52	1	129908-59810	PIPE ASSY, INJECTION	1							
53	1	129908-59820	PIPE ASSY, INJECTION	1							
54	1	129908-59830	PIPE ASSY, INJECTION	1							
55	1	129908-59840	PIPE ASSY, INJECTION	1							
56	1	26106-060162	BOLT, M6X 16 PLATED	2							
57	1	26106-080182	BOLT, M8X 18 PLATED	1							

Fig.16. FUEL LINE

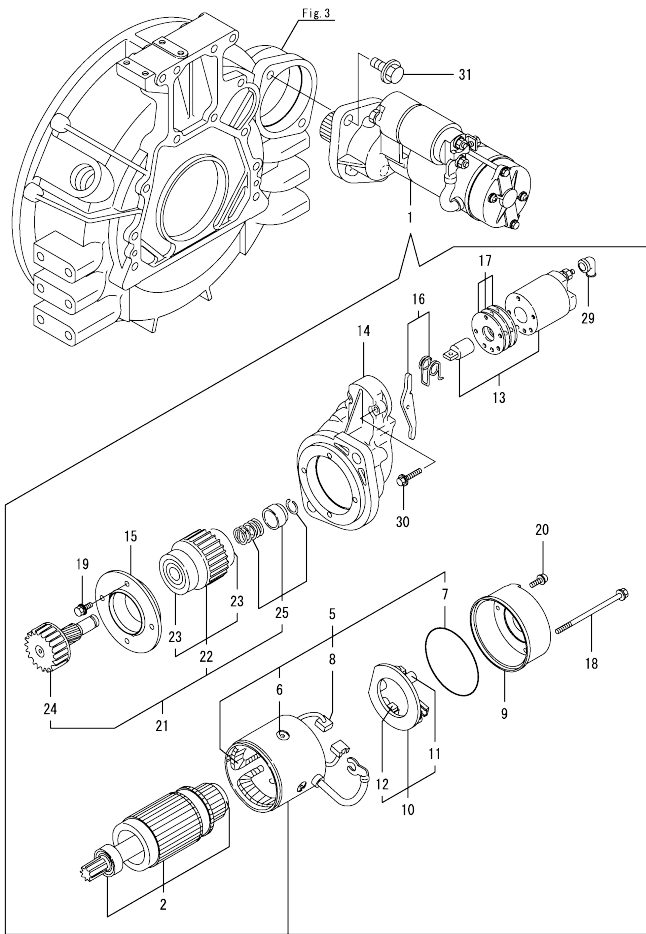


(A)=4TNV98T-SHYB
(B)=
(C)=

(D)=
(E)=
(F)=

No.	Lev.	Parts No.	Description	Q'ty						I	R
				(A)	(B)	(C)	(D)	(E)	(F)		
1	1	129004-55612	BRACKET, FILTER	1							
2	1	129907-55801	FILTER, FUEL	1							
3	1	26106-080302	BOLT, M8X 30 PLATED	2							
4	1	129457-59010	HOSE ASSY, FUEL	1							
5	2	124766-59050	CLAMP, HOSE 11,5	2							
6	2	129957-59120	TUBE, CORRUGATED 15	1							
7	2	105025-59750	HOSE, FUEL	1							
8	1	129981-59010	HOSE ASSY, FUEL	1							
9	2	124766-59050	CLAMP, HOSE 11,5	2							
10	2	129950-59221	TUBE, CORRUGATED 15	1							
11	2	129980-59510	HOSE, FUEL	1							
12	1	121750-59890	BAND, NYLON	1							
13	1	129907-59140	PIPE ASSY, RETURN	1							
14	1	123907-59540	BOLT, PIPE JOINT M6	5							
15	1	123907-59550	GASKET	5							
16	1	129486-59551	HOSE ASSY, RETURN	1							
17	2	124722-59050	CLAMP, HOSE 9	2							
19	1	123907-59560	JOINT, HOSE	1							
20	1	22190-080002	WASHER, SEAL 6	1							
21	1	128907-52100	PUMP, FUEL FEED	1							
22	1	129242-55711	SEPARATOR ASSY, WATER	1							
23	2	129242-55720	CUP, SEPARATOR	1							
24	2	129242-55730	ELEMENT, FUEL	1							
25	2	129242-55740	PLUG, DRAIN	1							
26	2	129242-55750	VALVE, AIR VENT	1							
27	2	129242-55760	GASKET, PLUG	1							
28	2	129242-55770	FLOAT	1							
29	2	24311-000160	O-RING, 1AP16.0	1							
30	2	24321-000750	O-RING, 1AG75.0	1							

Fig.17. STARTING MOTOR



(A)=4TNV98T-SHYB
(B)=
(C)=

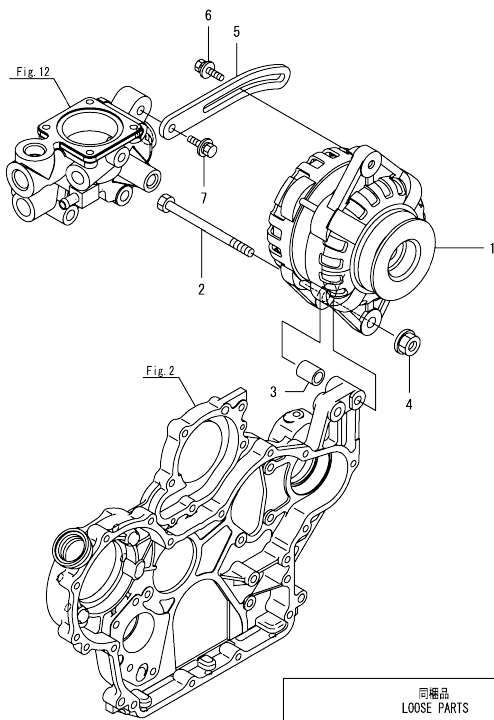
(D)=
(E)=
(F)=

No.	Lev.	Parts No.	Description	Q'ty						I	R
				(A)	(B)	(C)	(D)	(E)	(F)		
1	1	129940-77011	STARTER ASSY	1							
2	2	129940-77100	ARMATURE ASSY	1							
5	2	129940-77130	COIL ASSY, FIELD	1							
6	3	129940-77140	SCREW, CORE SET	4							
7	3	129940-77150	O-RING	1							
8	3	129940-77160	BRUSH	2							
9	2	129940-77171	COVER	1							
10	2	129940-77181	HOLDER ASSY, BRUSH	1							
11	3	129940-77190	SPRING, BRUSH	1							
12	3	129940-77200	BRUSH	2							
13	2	129940-77210	SWITCH ASSY, MAGNET	1							
14	2	129940-77221	CASE, GEAR	1							
15	2	129940-77230	RETAINER, BEARING	1							
16	2	129940-77240	LEVER SET	1							
17	2	129940-77250	COVER KIT, DUST	1							
18	2	129940-77260	BOLT, THROUGH	2							
19	2	129940-77270	BOLT	4							
20	2	129940-77280	SCREW	2							
21	2	123900-77510	PINION ASSY	1							
22	3	123900-77520	CLUTCH ASSY	1							
23	4	X2240610100	BEARING, BALL	2							
24	3	123900-77540	SHAFT, PINION	1							
25	3	119131-77550	STOPPER SET, PINION	1							
29	2	121254-77810	COVER, TERMINAL	1							
30	2	114371-79070	BOLT	2							
31	1	26106-120252	BOLT, M12X 25 PLATED	2							

N:Old $\frac{New}{Old}$ New, Q:Old $\frac{New}{Old}$ New, R:Old $\frac{New}{Old}$ New, S:Old $\frac{New}{Old}$ New, W:Add, Z:Discontinued, F:Interchangeable by set, K:Q'ty Change
Copyright (C) YANMAR CO., LTD. All Rights Reserved.

0CW10-M74900 4TNV98T-SHYB
 Fig.18. GENERATOR

0CW10-M74900 Fig.18



(A)=4TNV98T-SHYB
 (B)=
 (C)=

(D)=
 (E)=
 (F)=

No.	Lev.	Parts No.	Description	Q'ty					
				(A)	(B)	(C)	(D)	(E)	(F)
1	1	129908-77210	ALTERNATOR	1					
2	1	129908-77220	BOLT, STOPPER M10	1					
3	1	129908-77360	PIECE, DISTANCE	1					
4	1	26306-100002	NUT, M10	1					
5	1	129916-77300	ADJUSTER, BELT	1					
6	1	119810-77340	BOLT, ADJUST L=30	1					
7	1	26014-080252	BOLT, M8X 25	1					
8	1	171015-77910	CORD, HEATER	1					
9	1	129211-77920	TIMER	1					

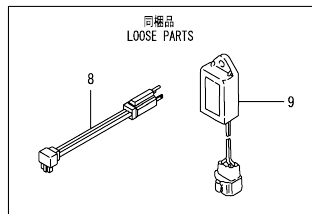
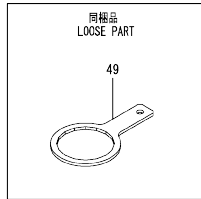
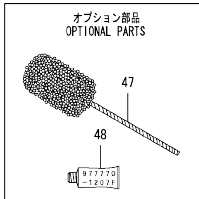
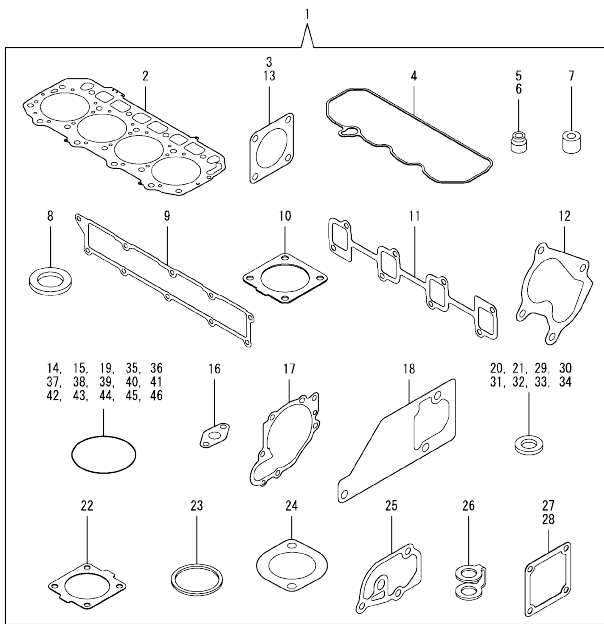


Fig.19. GASKET SET



(A)=4TNV98T-SHYB
(B)=
(C)=

(D)=
(E)=
(F)=

No.	Lev.	Parts No.	Description	Q'ty						I	R
				(A)	(B)	(C)	(D)	(E)	(F)		
1	1	129908-92800	GASKET SET	1							1
2	2	129907-01331	GASKET, HEAD	1							
3	2	129C26-01890	GASKET, HO-P	1							
4	2	129933-11310	GASKET, BONNET	1							
5	2	119803-11340	SEAL, VALVE STEM	8							
6	2	124160-11340	SEAL, VALVE STEM	8							
7	2	119802-11870	PROTECTOR, NOZZLE	4							
8	2	119625-11880	SEAT, NOZZLE	4							
9	2	129907-12110	GASKET, MANIFOLD	1							
10	2	129930-13201	GASKET, SILENCER	1							
11	2	129900-13251	GASKET, EXH.MANIFOLD	1							
12	2	123901-18080	GASKET	1							
13	2	129472-18090	GASKET	1							
14	2	129900-32030	O-RING, P20	2							
15	2	129900-32040	O-RING, P14	1							
16	2	129908-39690	GASKET	1							
17	2	129900-42020	GASKET, WATER PUMP	1							
18	2	129900-42061	GASKET, WATER PUMP	1							
19	2	129900-42140	O-RING, P36	2							
20	2	124465-44950	GASKET, 16	4							
21	2	129150-49360	GASKET	2							
22	2	121850-49540	GASKET, THERMOSTAT	1							
23	2	121850-49550	GASKET, THERMOSTAT	1							
24	2	129900-49560	GASKET	1							
25	2	129900-49870	GASKET, THERMOSTAT	1							
26	2	123907-59550	GASKET	5							
27	2	119129-77020	GASKET	1							
28	2	121850-77021	GASKET, AIR HEATER	1							
29	2	22190-080002	WASHER, SEAL 6	11							
30	2	22190-120002	WASHER, SEAL 12	1							
31	2	22190-220002	WASHER, SEAL 22	1							
32	2	22190-300002	WASHER, SEAL 30	1							
33	2	23414-080000	GASKET, 8X1.0	3							
34	2	23414-100000	GASKET, 10X1.0	2							
35	2	24311-000070	O-RING, 1AP7.0	1							
36	2	24311-000120	O-RING, 1AP12.0	8							
37	2	24311-000150	O-RING, 1AP15.0	1							
38	2	24311-000300	O-RING, 1AP30.0	1							
39	2	24311-000320	O-RING, 1AP32.0	3							
40	2	24311-240100	O-RING, 1AP10A	1							
41	2	24316-240100	O-RING, 4DP10A	1							
42	2	24321-000600	O-RING, 1AG60.0	1							
43	2	24321-000700	O-RING, 1AG70.0	1							
44	2	24321-000850	O-RING, 1AG85.0	1							
45	2	24341-000530	O-RING, 1AS53.0	1							
46	2	24351-030750	O-RING, 1A3075	1							
47	1	129400-92450	HONE, FLEX	1							1
48	1	977770-1207F	GASKET, LIQUID	1							1
49	1	119640-92750	TOOL, FILTER WRENCH	1							

Remarks
(1)Optional parts.

N:Old $\frac{100}{100}$ New, Q:Old $\frac{100}{100}$ New, R:Old $\frac{100}{100}$ New, S:Old $\frac{100}{100}$ New, W:Add, Z:Discontinued, F:Interchangeable by set, K:Q'ty Change
Copyright (C) YANMAR CO., LTD. All Rights Reserved.

Parts No. Index

Parts No.	Fig. No.	Ref. No.	Parts No.	Fig. No.	Ref. No.	Parts No.	Fig. No.	Ref. No.	Parts No.	Fig. No.	Ref. No.
105010-39140	11	7	121520-34810	10	15	124766-59050	16	5	129900-13251	6	2
105025-59750	16	7	121750-59890	16	12			9		19	11
106500-44810	11	29	121850-21130	9	11	129004-55612	16	1	129900-14100	7	6
114250-53080	15	5	121850-21290	9	4	129005-59830	11	16	129900-21200	9	3
114250-53120	15	9	121850-21920	9	5	129008-51920	13	12	129900-21600	9	14
114250-53130	15	10	121850-49540	12	22	129100-01580	2	1	129900-23001	9	25
114250-53140	15	11		19	22		3	1	129900-23200	9	28
114250-53210	15	12	121850-49550	12	23	129103-49301	10	8	129900-23601	9	29
114371-79070	17	30		19	23	129150-02450	7	4	129900-23611	9	32
119000-39650	11	38	121850-49801	12	25	129150-03100	4	65	129900-23911	9	31
119005-12060	6	12	121850-77021	5	22	129150-11230	4	37	129900-25100	7	10
119005-35151	10	26		19	28			41	129900-32030	2	6
119005-77051	5	23	122780-59100	15	41	129150-11750	4	19		10	18
119006-03090	4	63	123900-13630	6	3			38		19	14
119100-11330	4	56	123900-25060	7	9			42	129900-32040	2	7
119117-44760	12	16	123900-77510	17	21	129150-14200	7	1		19	15
119129-77020	5	21	123900-77520	17	22	129150-25920	7	16	129900-42020	12	11
	19	27	123900-77540	17	24	129150-49360	19	21		19	17
119131-18320	8	3	123901-03240	4	67	129150-59131	15	45	129900-42061	19	18
119131-77550	17	25	123901-03280	4	74			49	129900-42140	19	19
119140-12680	5	12	123901-18080	6	14	129155-51280	14	6	129900-49560	19	24
119160-12530	5	9		19	12	129155-61460	14	26	129900-49870	12	30
119160-12540	5	10	123901-39820	11	28	129211-77920	18	9		19	25
119160-12570	5	11	123907-11280	4	34	129242-55711	16	22	129906-01640	3	8
119233-77932	14	125	123907-11550	4	1	129242-55720	16	23	129906-01960	13	135
119305-59120	15	42	123907-11601	15	40	129242-55730	16	24	129906-34851	10	16
119593-11301	4	29	123907-11820	4	21	129242-55740	16	25	129906-51580	13	62
119620-01750	3	3	123907-11830	4	20	129242-55750	16	26	129907-01331	1	28
119620-11180	4	14	123907-39500	11	14	129242-55760	16	27		19	2
119625-11880	4	25	123907-59540	16	14	129242-55770	16	28	129907-01950	13	134
	19	8	123907-59550	16	15	129255-61410	14	22	129907-03011	4	51
119640-92750	19	49		19	26	129400-92450	19	47	129907-03061	4	52
119660-61901	14	55	123907-59560	16	19	129410-03990	4	75	129907-03070	4	53
119802-11870	4	24	123910-39850	11	26	129418-18320	6	4	129907-07900	4	61
	19	7	123912-33050	10	2	129457-59010	16	4	129907-11100	4	11
119802-51590	13	64	123912-33100	10	3	129466-49300	10	9	129907-11110	4	12
119802-51600	13	65	123951-18220	5	18	129472-18090	8	2	129907-11120	4	13
119802-51680	13	69	124070-13300	11	23		19	13	129907-11250	4	31
119802-51690	13	70	124160-01751	2	14	129486-59551	16	16	129907-11260	4	32
119803-11340	4	15		4	49	129509-51390	13	25	129907-11270	4	33
	19	5	124160-11340	4	16	129550-59120	15	46	129907-11341	4	30
119803-53400	15	13		19	6	129900-01200	1	27	129907-11510	4	17
119807-61420	14	23	124160-11360	4	58	129900-01250	1	4	129907-11650	4	35
119810-77340	18	6	124223-39900	11	4	129900-01850	2	25	129907-11660	4	39
120130-22301	9	23	124465-44950	12	36	129900-01870	2	26	129907-11800	4	80
121250-44901	12	35			37	129900-02020	1	6	129907-11910	4	26
121252-39150	11	8		19	20	129900-02341	1	33	129907-11920	4	43
121252-39450	11	1	124722-59050	12	41	129900-02410	1	9	129907-11950	4	27
121254-77810	17	29			44	129900-02931	1	24	129907-12110	5	1
121450-42450	12	34		16	17	129900-02941	1	36		19	9

Parts No. Index

Parts No.	Fig. No.	Ref. No.
129907-14400	7	2
129907-22051	9	17
129907-25900	7	15
129907-33010	10	1
129907-39061	11	12
129907-42001	12	1
129907-49050	10	5
129907-49610	12	38
129907-49620	12	42
129907-49630	10	10
129907-49650	10	12
129907-49710	12	39
129907-49720	12	43
129907-49730	12	24
129907-49750	12	40
129907-51560	13	58
129907-52100	16	21
129907-55801	16	2
129907-59140	16	13
129907-59720	15	50
129908-03099	4	64
129908-03230	4	66
129908-03240	4	68
129908-03250	4	69
129908-11700	4	2
129908-13510	6	5
129908-14581	7	3
129908-21000	9	1
129908-22080	9	15
129908-32060	2	4
129908-33101	10	4
129908-39410	11	32
129908-39690	11	27
	19	16
129908-59810	15	52
129908-59820	15	53
129908-59830	15	54
129908-59840	15	55
129908-77210	18	1
129908-77220	18	2
129908-77360	18	3
129908-92600	19	1
129916-01790	3	6
129916-01800	2	24
129916-21610	9	7
129916-21620	9	8
129916-49530	12	21
129916-59020	13	132
129916-77300	18	5
129927-42140	2	7 A

Parts No.	Fig. No.	Ref. No.
129928-42410	12	14
129928-51900	13	11
129930-13201	6	13
	19	10
129933-11310	4	55
	19	4
129933-11320	4	50
129933-53000	15	2
129935-01500	2	3
129935-03260	4	71
129935-03270	4	72
129935-12070	5	5
129935-12500	5	6
129935-12520	5	8
129935-13100	6	1
129935-13600	6	6
129935-13630	6	8
129935-18010	8	1
129935-18350	5	20
129935-39040	11	2
129935-39610	11	24
129937-13621	6	7
129940-01720	3	7
129940-77011	17	1
129940-77100	17	2
129940-77130	17	5
129940-77140	17	6
129940-77150	17	7
129940-77160	17	8
129940-77171	17	9
129940-77181	17	10
129940-77190	17	11
129940-77200	17	12
129940-77210	17	13
129940-77221	17	14
129940-77230	17	15
129940-77240	17	16
129940-77250	17	17
129940-77260	17	18
129940-77270	17	19
129940-77280	17	20
129944-12111	5	2
129944-12620	5	13
129946-49810	12	18
129950-59221	16	10
129951-01740	2	16
129953-21581	9	12
129953-25300	7	14
129953-35000	10	19
129957-59120	16	6

Parts No.	Fig. No.	Ref. No.
129960-03990	4	76
129960-21640	9	9
129980-59510	16	11
129981-01600	3	2
129981-59010	16	8
129C26-01890	19	3
144626-51090	13	13
158552-51571	13	59
158552-51580	13	63
158552-51670	13	130
158552-51781	13	101
158552-52100	13	110
158552-52311	13	112
158552-52400	13	113
158552-52500	13	111
158552-61900	14	71
158553-51551	13	56
158553-51630	13	74
158553-51640	13	76
158553-51660	13	78
158553-51670	13	68
158553-51680	13	79
158553-51930	13	104
158557-51570	13	60
158560-51600	13	73
158560-61050	14	3
158560-61061	14	82
158560-61071	14	4
158560-61430	14	24
158560-61442	14	25
158563-51150	13	16
158563-51281	13	23
		24
158563-51330	13	34
158600-51270	13	22
158601-51550	13	57
158601-51570	13	61
158601-51650	13	77
158601-51770	13	100
158601-51790	13	102
171015-77910	18	8
171031-11741	2	20
171051-01921	1	5
22190-080002	11	9
		17
		19
		19
		21
	16	20
	19	29
22190-120002	13	105

Parts No.	Fig. No.	Ref. No.
22190-120002	13	114
		115
	19	30
22190-160002	14	76
22190-180002	13	106
		116
22190-220002	19	31
22190-300002	19	32
22217-180000	13	117
22252-000300	9	24
22312-050140	13	118
22351-030010	11	39
22351-050010	13	119
22351-060012	1	10
22512-070140	7	7
	9	6
22857-500100	4	57
23000-022000	4	77
23000-025000	10	13
	11	30
23000-054000	5	19
23000-060000	5	14
23000-090000	5	15
23414-080000	12	31
	19	33
23414-100000	11	10
	19	34
23857-030000	11	18
23857-060000	13	120
23875-030000	12	27
23876-020000	4	8
23876-030000	1	11
		12
		13
	4	9
23887-160002	14	78
24311-000070	2	8
	13	121
	19	35
24311-000120	4	28
		59
	19	36
24311-000150	19	37
24311-000160	16	29
24311-000300	19	38
24311-000320	2	15
		21
	4	60
	19	39
24311-240100	19	40

Parts No. Index

Parts No.	Fig. No.	Ref. No.
24316-240100	19	41
24321-000600	10	14
	19	42
24321-000700	19	43
24321-000750	16	30
24321-000850	19	44
24341-000530	9	10
	19	45
24351-030750	2	9
	19	46
24356-190200	13	71
		122
24356-240210	13	123
24372-000150	13	72
25153-004400	12	15
26013-080222	5	16
26014-080252	18	7
26106-060102	13	124
	14	61
		62
26106-060122	12	28
26106-060142	14	79
26106-060162	11	31
	15	56
26106-060202	12	29
26106-060252	14	80
26106-060302	12	12
26106-060352	13	125
26106-060402	14	81
26106-080122	3	10
	4	78
	10	24
	11	11
		20
		22
	12	32
26106-080142	4	79
26106-080162	2	10
	4	27
	4	62
	6	9
		15
	7	8
	10	25
	13	136
26106-080182	15	57
26106-080202	2	11
		17
	5	17
	6	10

Parts No.	Fig. No.	Ref. No.
26106-080222	13	137
		138
26106-080302	16	3
26106-080402	2	28
	4	45
26106-080452	2	12
		18
	5	3
26106-080552	7	13
	12	13
26106-080602	4	46
		47
	12	33
26106-080702	2	29
	5	24
26106-080752	2	19
26106-080802	5	4
	12	17
26106-080902	5	25
26106-100202	13	139
26106-120252	17	31
26116-050102	4	70
26206-100352	3	4
26206-100702	3	5
26216-100302	2	5
26226-080222	4	44
26306-080002	4	48
	6	11
	8	4
26306-100002	2	13
	18	4
26450-100452	13	126
26756-060002	14	63
26776-180002	13	127
27241-300000	1	14
27241-400000	4	10
27310-070001	4	22
46150-504500	1	29
729900-02801	1	30
729907-01559	2	22
729907-22950	9	36
729908-01560	1	1
729908-22900	9	34
729933-51360	13	1
729933-53100	15	1
977770-1207F	19	48
X2240610100	17	23

Parts No.	Fig. No.	Ref. No.
-----------	----------	----------

Parts No.	Fig. No.	Ref. No.
-----------	----------	----------