

0CW10-M56500EN

P R E F A C E

1. This parts catalog is the 1st edition of 4TNV98T-STXC for TEREX CHINA.

Pub.No. : 0CW10-G56500

Published : September, 2009

2. Model name

Engine model	Vehicle	Vehicle made by
4TNV98T-STXC	EXCAVATOR	TEREX CHINA

Directions for the Parts Catalog.

1. The parts stipulated in this Parts Catalog are not necessarily standard equipped parts.
2. Parts may change without prior notice.
3. The following is an example of the Parts Catalog format.

REF.	LEV.	PARTS NO.	DESCRIPTION	Q'TY						I	R
				(A)	(B)	(C)	(D)	(E)	(F)		
1	1	729595-51390	FUEL INJECTION PUMP	1	1	1	1	1			1
1-1	1	729595-51391	FUEL INJECTION PUMP	1	1	1	1	1		N	1
		(A=E00185) (B=E00200)									
3	2	26022-060162	SCREW M 6X 16	9	9	9	9	9			
3-1	2	26022-060162	SCREW M 6X 16	4	4	4	4	4		K	
		(A=E00156) (B=E00156) (C=E00156) (D=E00156) (E=E00156)									
4	2	129470-51040	CAMSHAFT	1	1	1	1	1			
5	2	122710-51050	BEARING, ROLLER	2	2	2	2	2			
6	2	129470-51060	RETAINER	1	1	1	1	1			

Remarks
(1) BOOST COMPEMSATOR TYPE. OPTIONAL PART, TO E00155,(4JH-DT, 4JH-DTZ

① Ref. No.

The Ref. No. listed may not be in accordance with the illustration Ref. No.

(Ex.) Illustration No. List Ref No.

1 1 (Before change) → 1-1 (After change)

For interchangeable symbols N, R and K, illustrations for new parts may be abbreviated.

② Lev. (Level)

Level indication

The numbers below indicate the level of relativity towards the main part.

1 ---- Main parts (Assembly parts)

2 ---- Sub component included in " 1 ".

3 ---- Sub component included in " 2 ".

Note) Parts that are not for sale are partially illustrated but not listed.

③ Interchangeability Mark

When a part change takes place, one of the following interchangeability symbols is indicated beside the part.

Symbol	Interchangeability	Contents note
N	Old $\begin{matrix} \leftarrow \text{Yes} \\ \text{No} \rightarrow \end{matrix}$ New	New Part is interchangeable for Old Part but Old Part is not interchangeable for New Part.
Q	Old $\begin{matrix} \leftarrow \text{No} \\ \text{Yes} \rightarrow \end{matrix}$ New	New Part is not interchangeable for Old Part but Old Part is interchangeable for New Part.
R	Old $\begin{matrix} \leftarrow \text{Yes} \\ \text{Yes} \rightarrow \end{matrix}$ New	New/ Old Parts are both interchangeable.
S	Old $\begin{matrix} \leftarrow \text{No} \\ \text{No} \rightarrow \end{matrix}$ New	New/ Old Parts are both not interchangeable.
W		Part newly added.
Z		Part discontinued.
F		Not interchangeable by a single part but interchangeable together with related parts.
K		Changes only for used parts quantities.

④ Effective Machine No.

When a part changes, the effective Machine No. will be indicated in the (A)-(F) column.

Product Symbol	Product No.	Product Symbol	Product No.
C	Clutch No. Compressor No.	F	Machine No. (Agricultural Equip.)
D	Drive No.	M	Machine No.
E	Engine No.		

Note 1) A date may follow the symbol. (Ex.) 1996.01

Note 2) "XXXXX" and "ZZZZZ" are for parts that could not be predicted or for engine models that could not be identified.

Note 3) (A=E00185) is the E (Engine Serial Number) for the column (A) model (in this case 4JH-DT) after the parts design change.

⑤ Remarks Mark

Figures or alphabets (symbols) are entered in the remarks column.

The comments (remarks) on parts that are indicated at the bottom of the illustration are the same symbols as those stated above.

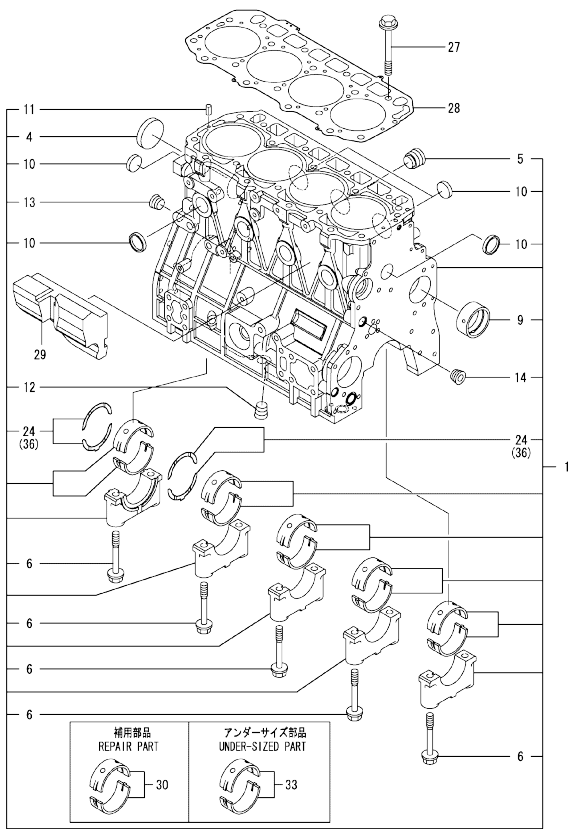
Contents

Fig. No.	Fig. Name	Fig. No.	Fig. Name
4TNV98T-STXC			
1.	CYLINDER BLOCK		
2.	GEAR HOUSING		
3.	FLYWHEEL HOUSING & OIL SUMP		
4.	CYLINDER HEAD & BONNET		
5.	SUCTION MANIFOLD		
6.	EXHAUST MANIFOLD		
7.	CAMSHAFT & DRIVING GEAR		
8.	TURBINE		
9.	CRANKSHAFT & PISTON		
10.	LUB. OIL SYSTEM		
11.	LUB. OIL LINE		
12.	COOLING WATER SYSTEM		
13.	FUEL INJECTION PUMP		
14.	GOVERNOR		
15.	FUEL INJECTION VALVE		
16.	FUEL LINE		
17.	STARTING MOTOR		
18.	GENERATOR		
19.	GASKET SET		

Fig.1. CYLINDER BLOCK

(A)=4TNV98T-STXC
(B)=
(C)=

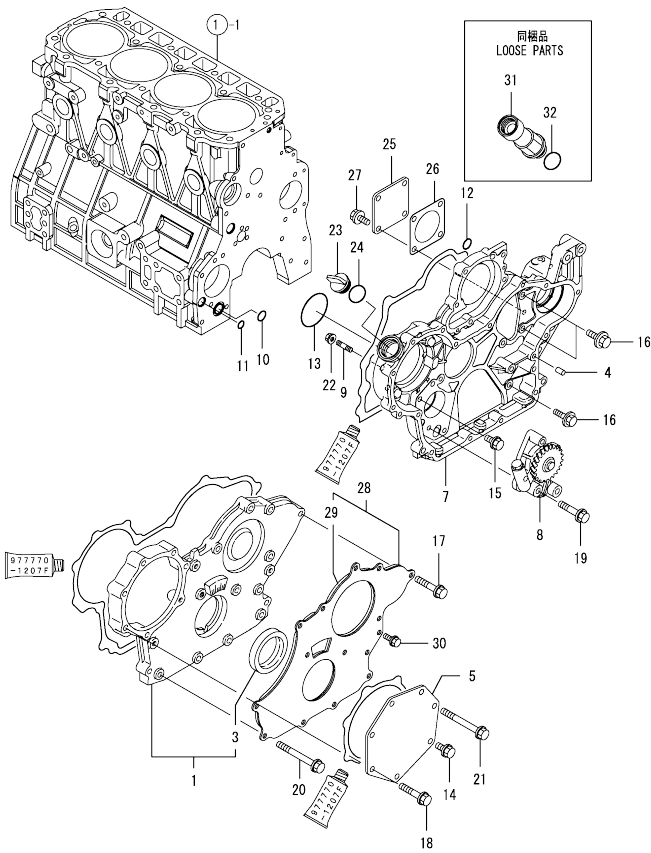
(D)=
(E)=
(F)=



No.	Lev.	Parts No.	Description	Q'ty						I	R
				(A)	(B)	(C)	(D)	(E)	(F)		
1	1	729908-01560	BLOCK ASSY, CYLINDER	1							
4	2	129900-01250	PLUG, 55	1							
5	2	171051-01921	PLUG, NPTF1	1							
6	2	129900-02020	BOLT, METAL CAP	10							
9	2	129900-02410	BUSH, CAMSHAFT	1							
10	2	27241-300000	PLUG 30	8							
11	2	22351-060012	PIN, SPRING 6.0X12	2							
12	2	23876-030000	PLUG, R03	1							
13	2	23876-030000	PLUG, R03	1							
14	2	23876-030000	PLUG, R03	1							
24	2	129900-02931	BEARING, THRUST	2							
27	1	129900-01200	BOLT, HEAD	18							
28	1	129907-01331	GASKET, HEAD	1							
29	1	129907-01190	SPACER	1							
30	1	729900-02801	BEARING, MAIN	5							1
33	1	129900-02341	BEARING, 0.25 US	5							2
36	1	129900-02941	BEARING, THRUST 0.25	2							3

Remarks
(1) REPAIR PART.
(2) UNDER-SIZED (U.S.=0.25) PART.
(3) OVER-SIZED (O.S.=0.25) PART.

Fig.2. GEAR HOUSING

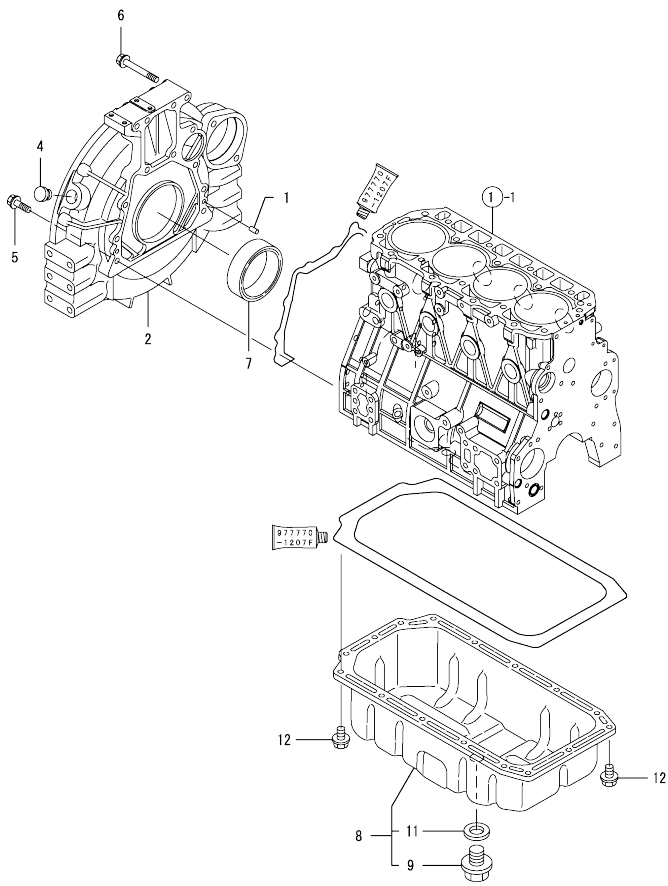


(A)=4TNV98T-STXC
(B)=
(C)=

(D)=
(E)=
(F)=

No.	Lev.	Parts No.	Description	Qty						I	R	
				(A)	(B)	(C)	(D)	(E)	(F)			
1	1	729906-01550	COVER ASSY,GEAR CASE	1								
3	2	129916-01800	SEAL, OIL	1								
4	1	129100-01580	PIN, M8X16	4								
5	1	129951-01740	COVER	1								
7	1	129908-01500	CASE, GEAR	1								
8	1	129908-32060	PUMP ASSY, OIL	1								
9	1	26216-100302	STUD, M10X 30	4								
10	1	129900-32030	O-RING, P20	1								
11	1	129900-32040	O-RING, P14	1								
12	1	24311-000070	O-RING, 1AP7.0	1								
13	1	24351-030750	O-RING, 1A3075	1								
14	1	26106-080162	BOLT, M8X 16 PLATED	1								
15	1	26106-080162	BOLT, M8X 16 PLATED	1								
16	1	26106-080202	BOLT, M8X 20 PLATED	3								
17	1	26106-080402	BOLT, M8X 40 PLATED	5								
18	1	26106-080402	BOLT, M8X 40 PLATED	5								
19	1	26106-080452	BOLT, M8X 45 PLATED	3								
20	1	26106-080702	BOLT, M8X 70 PLATED	6								
21	1	26106-080702	BOLT, M8X 70 PLATED	1								
22	1	26306-100002	NUT, M10	4								
23	1	124160-01751	COVER, FILLER	1								
24	1	24311-000320	O-RING, 1AP32.0	1								
25	1	124240-01871	COVER	1								
26	1	124240-01883	GASKET	1								
27	1	26106-080162	BOLT, M8X 16 PLATED	4								
28	1	129900-01850	COVER ASSY,GEAR CASE	1								
29	2	129900-01870	SPONGE	1								
30	1	26106-080162	BOLT, M8X 16 PLATED	3								
31	1	171031-11741	PIPE	1								
32	1	24311-000320	O-RING, 1AP32.0	1								

Fig.3. FLYWHEEL HOUSING & OIL SUMP

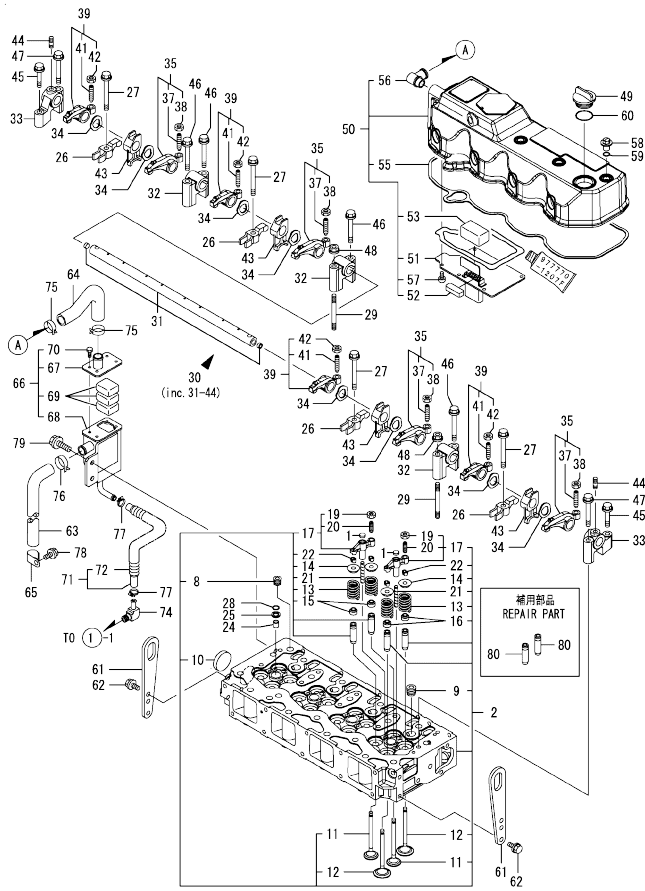


(A)=4TNV98T-STXC
(B)=
(C)=

(D)=
(E)=
(F)=

No.	Lev.	Parts No.	Description	Q'ty						I	R
				(A)	(B)	(C)	(D)	(E)	(F)		
1	1	129100-01580	PIN, M8X16		2						
2	1	129900-01620	HOUSING, FLYWHEEL		1						
4	1	119620-01750	CAP		1						
5	1	26206-100352	BOLT, M10X 35 PLATED		9						
6	1	26206-100702	BOLT, M10X 70 PLATED		4						
7	1	124411-01780	SEAL, HTC95X115X12		1						
8	1	129916-01710	SUMP ASSY, OIL		1						
9	2	119640-01640	PLUG, DRAIN M22		1						
11	2	22190-220002	WASHER, SEAL 22		1						
12	1	26106-080122	BOLT, M8X 12 PLATED		16						

Fig.4. CYLINDER HEAD & BONNET



(A)=4TNV98T-STXC
(B)=
(C)=

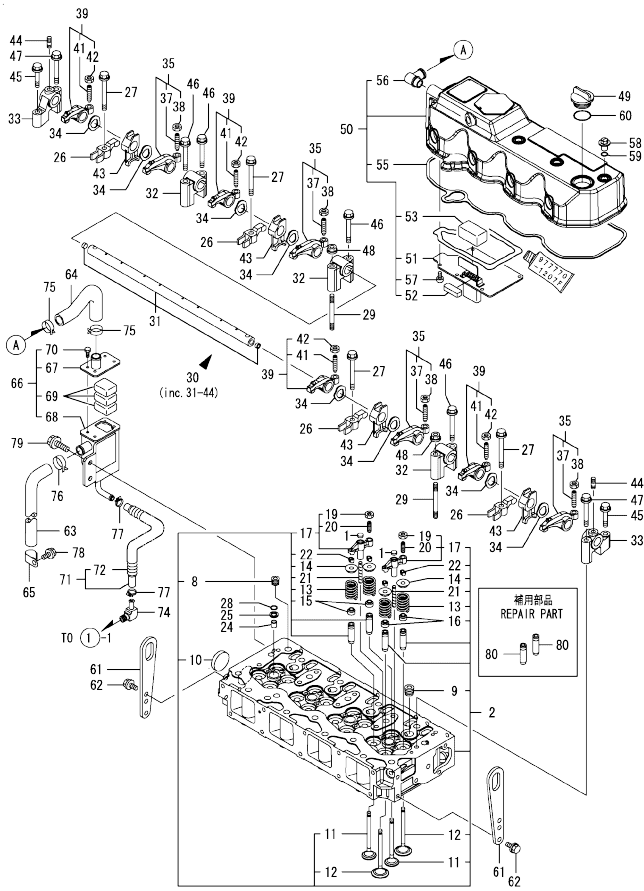
(D)=
(E)=
(F)=

No.	Lev.	Parts No.	Description	Q'ty						I	R
				(A)	(B)	(C)	(D)	(E)	(F)		
1	1	123907-11550	SEAT, VALVE BRIDGE	8							
2	1	129908-11700	HEAD ASSY, CYLINDER	1							
8	2	23876-020000	PLUG, R02	1							
9	2	23876-030000	PLUG, R03	4							
10	2	27241-400000	PLUG, 40	1							
11	2	129907-11100	VALVE, INTAKE	8							
12	2	129907-11110	VALVE, EXHAUST	8							
13	2	129907-11120	SPRING, VALVE	16							
14	2	119620-11180	RETAINER, SPRING	16							
15	2	119803-11340	SEAL, VALVE STEM	8							
16	2	124160-11340	SEAL, VALVE STEM	8							
17	2	129907-11510	BRIDGE ASSY, VALVE	8							
19	3	129150-11750	NUT, M8	8							
20	3	123907-11830	ADJUSTER	8							
21	2	123907-11820	GUIDE	8							
22	2	27310-070001	COTTER, 7	16							
24	1	119802-11870	PROTECTOR, NOZZLE	4							
25	1	119625-11880	SEAT, NOZZLE	4							
26	1	129907-11910	RETAINER, NOZZLE	4							
27	1	129907-11950	BOLT, M8X75	4							
28	1	24311-000120	O-RING, 1AP12.0	4							
29	1	119593-11301	STUD, M8X80	2							
30	1	129907-11341	SHAFT ASSY, ROCKER	1							
31	2	129907-11250	SHAFT, ROCKER ARM	1							
32	2	129907-11260	SUPPORT, ROCKER ARM	3							
33	2	129907-11270	SUPPORT, ROCKER ARM	2							
34	2	123907-11280	WASHER	8							
35	2	129907-11650	ARM, ROCKER	4							
37	3	129150-11230	SCREW, VALVE ADJUST	4							
38	3	129150-11750	NUT, M8	4							
39	2	129907-11660	ARM, ROCKER	4							
41	3	129150-11230	SCREW, VALVE ADJUST	4							
42	3	129150-11750	NUT, M8	4							
43	2	129907-11920	RETAINER	4							
44	2	26226-080222	STUD, M8X 22	2							
45	1	26106-080402	BOLT, M8X 40 PLATED	2							
46	1	26106-080602	BOLT, M8X 60 PLATED	4							
47	1	26106-080602	BOLT, M8X 60 PLATED	2							
48	1	26306-080002	NUT, M8	2							
49	1	124160-01751	COVER, FILLER	1							
50	1	129933-11320	BONNET ASSY, HEAD	1							
51	2	129907-03011	PLATE	1							
52	2	129907-03061	BAFFLE, BREATHER	1							
53	2	129907-03070	BAFFLE, BREATHER	1							
55	2	129933-11310	GASKET, BONNET	1							
56	2	119100-11330	ELBOW	1							
57	2	22857-500100	SCREW, 5X10	6							
58	1	124160-11360	KNOB	4							
59	1	24311-000120	O-RING, 1AP12.0	4							
60	1	24311-000320	O-RING, 1AP32.0	1							
61	1	129907-07900	LIFTER	2							

Remarks
(1) REPAIR PART.

N:Old $\frac{100}{100}$ New, Q:Old $\frac{100}{100}$ New, R:Old $\frac{100}{100}$ New, S:Old $\frac{100}{100}$ New, W:Add, Z:Discontinued, F:Interchangeable by set, K:Q'ty Change
 ++ CONTINUE ++
 Copyright (C) YANMAR CO., LTD. All Rights Reserved.

Fig.4. CYLINDER HEAD & BONNET



(A)=4TNV98T-STXC
(B)=
(C)=

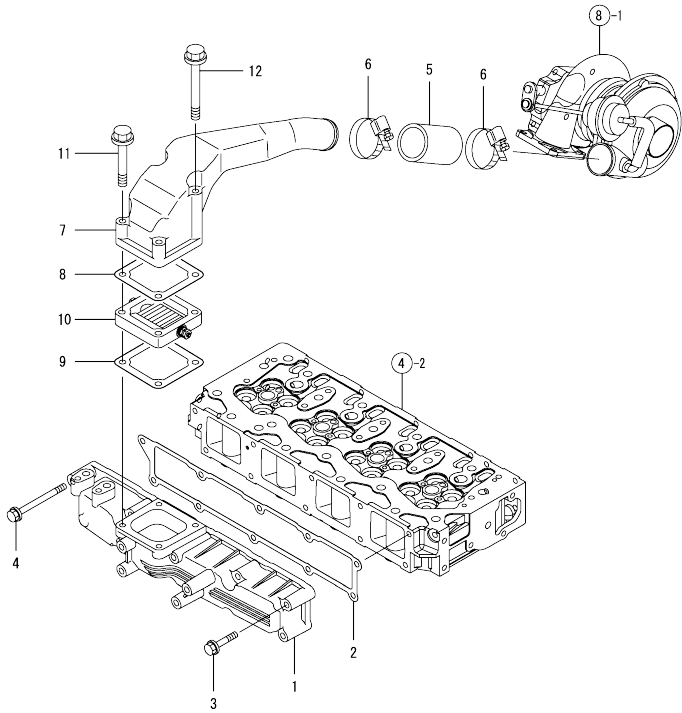
(D)=
(E)=
(F)=

No.	Lev.	Parts No.	Description	Q'ty						I	R
				(A)	(B)	(C)	(D)	(E)	(F)		
62	1	26106-080162	BOLT, M8X 16 PLATED	4							
63	1	119006-03090	HOSE, BREATHER	1							
64	1	129908-03099	HOSE, BREATHER	1							
65	1	129150-03100	RETAINER, PIPE	1							
66	1	129908-03230	BREATHER ASSY	1							
67	2	129908-03240	COVER, BREATHER	1							
68	2	129908-03250	BREATHER	1							
69	2	123901-03240	FILTER	3							
70	2	26116-050102	BOLT, M5X 10 PLATED	4							
71	1	129935-03260	HOSE ASSY, RETURN	1							
72	2	129935-03270	TUBE, CORRUGATED	1							
74	1	123901-03280	ELBOW, PT3/8-10	1							
75	1	129410-03990	CLIP	2							
76	1	129960-03990	CLIP, HOSE 22	1							
77	1	23000-022000	CLAMP, 22	2							
78	1	26106-080122	BOLT, M8X 12 PLATED	1							
79	1	26106-080142	BOLT, M8X 14 PLATED	2							
80	1	129907-11800	GUIDE, VALVE	16							1

Remarks
(1) REPAIR PART.

N:Old $\frac{100}{100}$ New, Q:Old $\frac{100}{100}$ New, R:Old $\frac{100}{100}$ New, S:Old $\frac{100}{100}$ New, W:Add, Z:Discontinued, F:Interchangeable by set, K:Q'ty Change
Copyright (C) YANMAR CO., LTD. All Rights Reserved.

Fig.5. SUCTION MANIFOLD

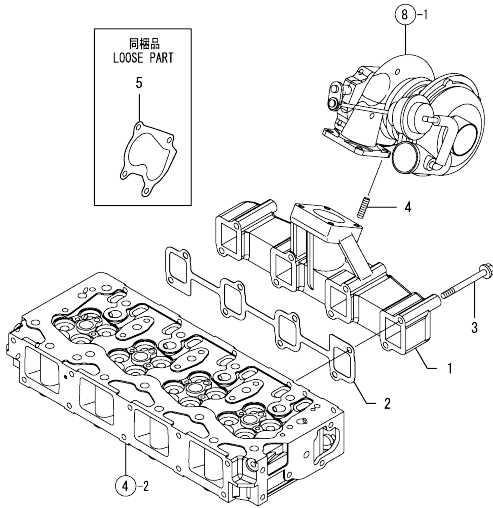


(A)=4TNV98T-STXC
(B)=
(C)=

(D)=
(E)=
(F)=

No.	Lev.	Parts No.	Description	Q'ty						I	R
				(A)	(B)	(C)	(D)	(E)	(F)		
1	1	129907-12100	MANIFOLD, AIR INTAKE	1							
2	1	129907-12110	GASKET, MANIFOLD	1							
3	1	26106-080552	BOLT, M8X 55 PLATED	9							
4	1	26106-080852	BOLT, M8X 85 PLATED	1							
5	1	123951-18220	JOINT, RUBBER	1							
6	1	23000-054000	CLAMP, 54	2							
7	1	129908-18350	DUCT, AIR	1							
8	1	119129-77020	GASKET	1							
9	1	121850-77021	GASKET	1							
10	1	119005-77051	HEATER	1							
11	1	26106-080702	BOLT, M8X 70 PLATED	2							
12	1	26106-081202	BOLT, M8X120 PLATED	2							

Fig.6. EXHAUST MANIFOLD

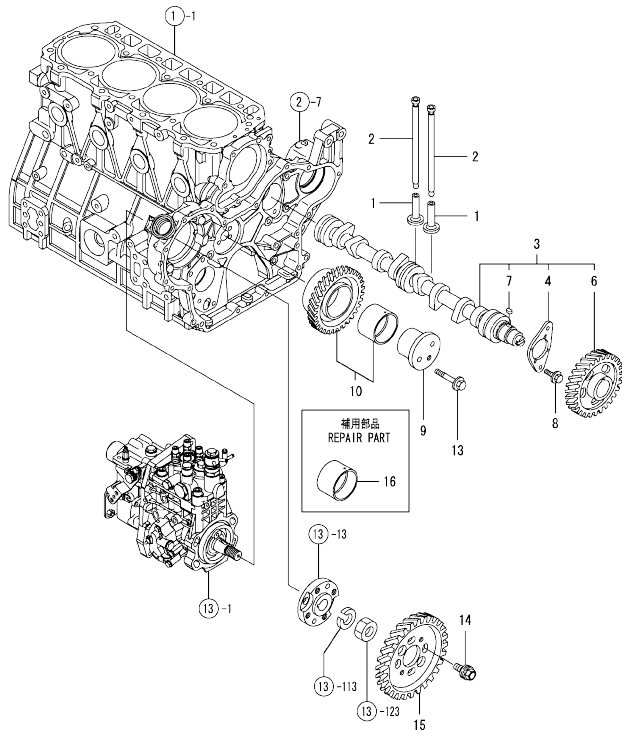


(A)=4TNV98T-STXC
(B)=
(C)=

(D)=
(E)=
(F)=

No.	Lev.	Parts No.	Description	Q'ty					
				(A)	(B)	(C)	(D)	(E)	(F)
1	1	129908-13100	MANIFOLD, EXHAUST	1					
2	1	129900-13251	GASKET	1					
3	1	123900-13630	BOLT, M8X80	8					
4	1	129418-18320	STUD, M8X20	4					
5	1	123901-18080	GASKET	1					

Fig.7. CAMSHAFT & DRIVING GEAR



(A)=4TNV98T-STXC
(B)=
(C)=

(D)=
(E)=
(F)=

No.	Lev.	Parts No.	Description	Q'ty						I	R
				(A)	(B)	(C)	(D)	(E)	(F)		
1	1	129150-14200	TAPPET	8							
2	1	129907-14400	ROD, PUSH	8							
3	1	129908-14581	CAMSHAFT ASSY	1							
4	2	129150-02450	BEARING, THRUST	1							
6	2	129900-14100	GEAR, CAMSHAFT	1							
7	2	22512-070140	KEY, 7X 14	1							
8	1	26106-080162	BOLT, M8X 16 PLATED	2							
9	1	123900-25060	SHAFT, IDLE GEAR	1							
10	1	129900-25100	GEAR ASSY, IDLE	1							
13	1	26106-080552	BOLT, M8X 55 PLATED	3							
14	1	129953-25300	BOLT	4							
15	1	129907-25900	GEAR, PUMP	1							
16	1	129150-25920	BUSH, IDLE GEAR	1							1

Remarks
(1) REPAIR PART.

0CW10-M56500

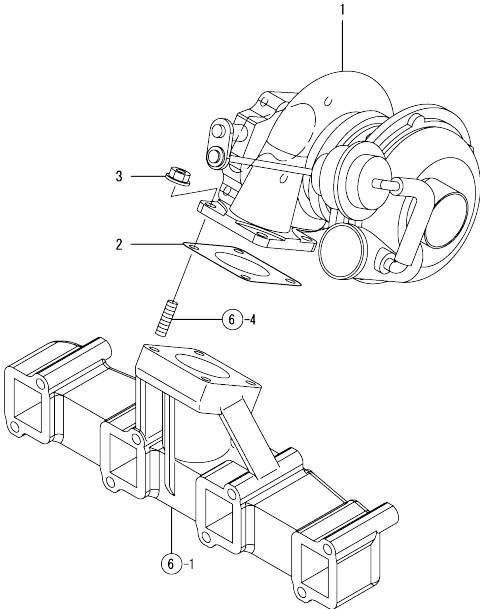
Fig.8. TURBINE

0CW10-M56500 Fig.8

(A)=4TNV98T-STXC
(B)=
(C)=

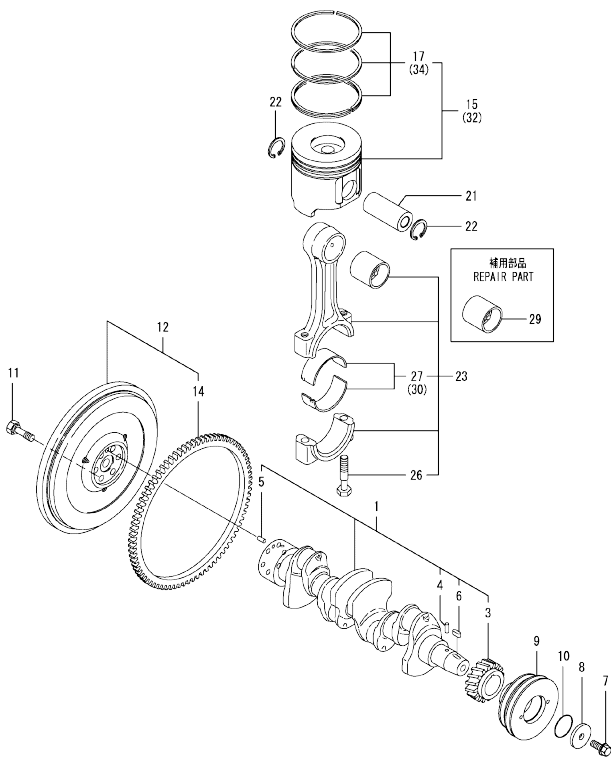
(D)=
(E)=
(F)=

No.	Lev.	Parts No.	Description	Q'ty						I	R
				(A)	(B)	(C)	(D)	(E)	(F)		
1	1	129908-18010	TURBINE, RHF5	1							
2	1	129472-18090	GASKET	1							
3	1	26306-080002	NUT, M8	4							



N:Old $\frac{100}{100}$ New. Q:Old $\frac{100}{100}$ New. R:Old $\frac{100}{100}$ New. S:Old $\frac{100}{100}$ New. W:Add. Z:Discontinued. F:Interchangeable by set. K:Q'ty Change
Copyright (C) YANMAR CO., LTD. All Rights Reserved.

Fig.9. CRANKSHAFT & PISTON



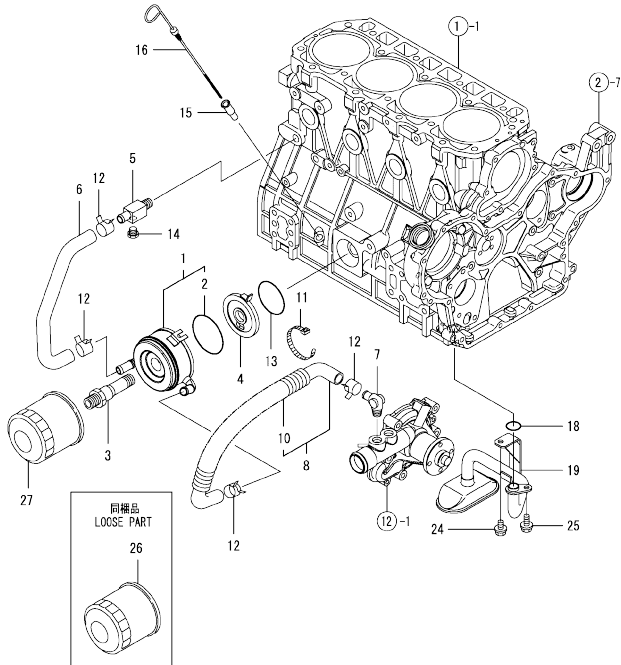
(A)=4TNV98T-STXC
(B)=
(C)=

(D)=
(E)=
(F)=

No.	Lev.	Parts No.	Description	Q'ty						I	R
				(A)	(B)	(C)	(D)	(E)	(F)		
1	1	129908-21000	CRANKSHAFT ASSY	1							
3	2	129900-21200	GEAR, CRANKSHAFT	1							
4	2	121850-21290	PIN	1							
5	2	121850-21920	PIN, M10X22	1							
6	2	22512-070140	KEY, 7X 14	1							
7	1	129916-21610	BOLT	1							
8	1	129960-21640	WASHER	1							
9	1	129916-21680	V-PULLEY	1							
10	1	24341-000530	O-RING, 1AS53.0	1							
11	1	121850-21130	BOLT, FLYWHEEL	6							
12	1	129916-21590	FLYWHEEL ASSY	1							
14	2	129900-21600	GEAR, RING	1							
15	1	129908-22080	PISTON ASSY	4							
17	2	129907-22050	RING SET, PISTON	4							
21	1	120130-22301	PIN, PISTON	4							
22	1	22252-000300	RING, 30	8							
23	1	129900-23001	ROD ASSY, CONNECTING	4							
26	2	129900-23200	BOLT, CONNECTING ROD	8							
27	2	129900-23601	BEARING, CRANK PIN	4							
29	1	129900-23911	BEARING, PISTON PIN	4							1
30	1	129900-23611	BEARING, 0.25 US	4							2
32	1	729908-22900	PISTON ASSY, 0.25 OS	4							3
34	2	729907-22950	RING SET, 0.25 OS	4							3

Remarks
 (1) REPAIR PART.
 (2) UNDER-SIZED (U.S.=0.25) PART.
 (3) OVER-SIZED (O.S.=0.25) PART.

Fig.10. LUB. OIL SYSTEM



(A)=4TNV98T-STXC
(B)=
(C)=

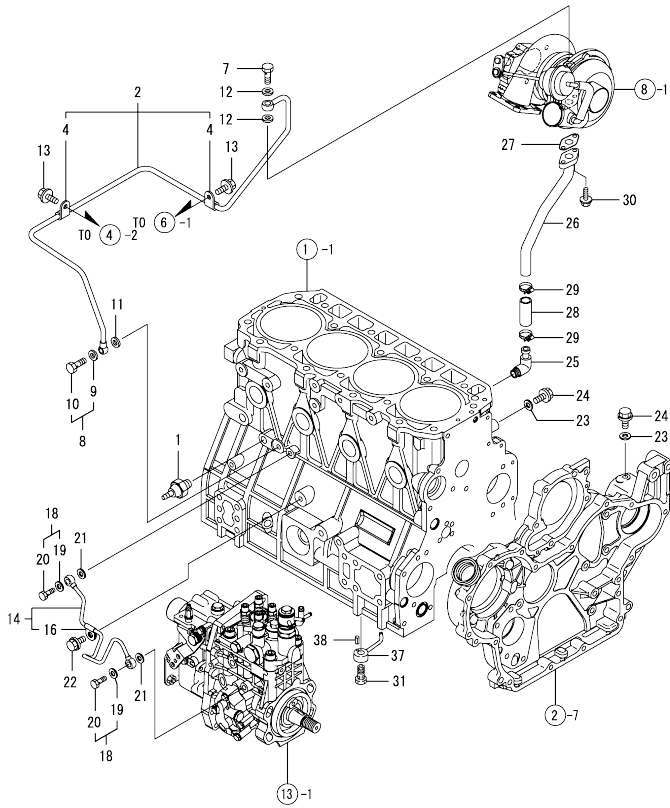
(D)=
(E)=
(F)=

No.	Lev.	Parts No.	Description	Q'ty						I	R
				(A)	(B)	(C)	(D)	(E)	(F)		
1	1	129908-33010	COOLER ASSY, OIL	1							
2	2	123912-33050	O-RING	1							
3	1	123912-33100	BOLT, COOLER	1							
4	1	129908-33101	BRACKET, COOLER	1							
5	1	129006-44480	JOINT	1							
6	1	129908-49060	PIPE, WATER	1							
7	1	129466-49300	ELBOW, PT3/8	1							
8	1	123910-49600	PIPE, WATER	1							
10	2	123910-49610	TUBE, CORRUGATED	1							
11	1	121750-59890	BAND, 140	1							
12	1	23000-025000	CLAMP, 25	4							
13	1	24321-000600	O-RING, 1AG60.0	1							
14	1	171056-49120	PLUG, DRAIN	1							
15	1	121520-34810	GUIDE, DIPSTICK	1							
16	1	129906-34851	DIPSTICK, OIL	1							
18	1	129900-32030	O-RING, P20	1							
19	1	129953-35000	PIPE ASSY, OIL INLET	1							
24	1	26106-080122	BOLT, M8X 12 PLATED	1							
25	1	26106-080162	BOLT, M8X 16 PLATED	1							
26	1	119005-35151	FILTER, D80X100L	1							
27	1	119005-35151	FILTER, D80X100L	1							1

Remarks
(1) REPAIR PART.

N:Old $\frac{New}{Old}$ New, Q:Old $\frac{New}{Old}$ New, R:Old $\frac{New}{Old}$ New, S:Old $\frac{New}{Old}$ New, W:Add, Z:Discontinued, F:Interchangeable by set, K:Q'ty Change
Copyright (C) YANMAR CO., LTD. All Rights Reserved.

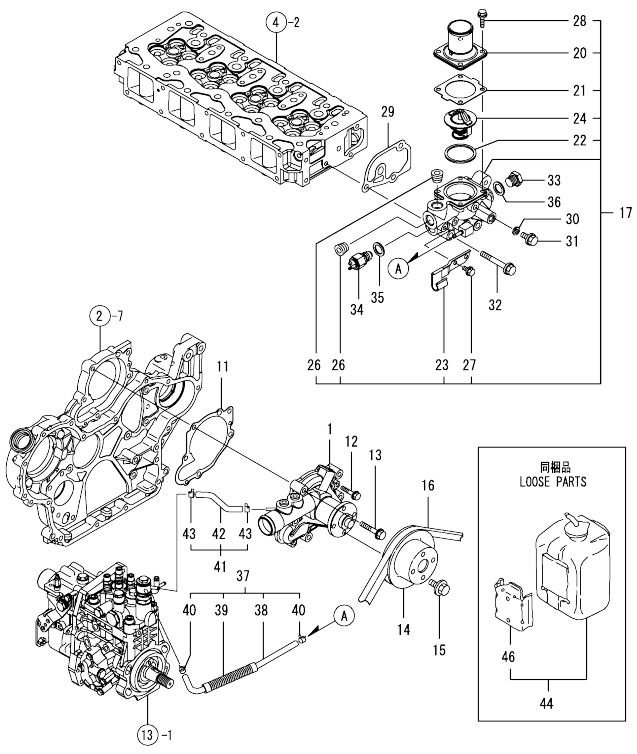
Fig.11. LUB. OIL LINE



No.	Lev.	Parts No.	Description	Q'ty						I	R
				(A)	(B)	(C)	(D)	(E)	(F)		
1	1	114250-39450	SWITCH, 0.5KG	1							
2	1	129908-39070	PIPE ASSY, OIL	1							
4	2	124223-39900	RETAINER	2							
7	1	121252-39150	BOLT, JOINT M10X1.5	1							
8	1	129005-59830	BOLT ASSY, JOINT M8	1							
9	2	22190-080002	WASHER, SEAL 6	1							
10	2	23857-030000	BOLT, JOINT 3	1							
11	1	22190-080002	WASHER, SEAL 6	1							
12	1	23414-100000	GASKET, 10X1.0	2							
13	1	26106-080122	BOLT, M8X 12 PLATED	2							
14	1	129907-39061	PIPE ASSY, OIL	1							
16	2	123907-39500	RETAINER	1							
18	1	129005-59830	BOLT ASSY, JOINT M8	2							
19	2	22190-080002	WASHER, SEAL 6	2							
20	2	23857-030000	BOLT, JOINT 3	2							
21	1	22190-080002	WASHER, SEAL 6	2							
22	1	26106-080122	BOLT, M8X 12 PLATED	1							
23	1	22190-080002	WASHER, SEAL 6	2							
24	1	26106-080122	BOLT, M8X 12 PLATED	2							
25	1	124070-13300	ELBOW, PT3/8	1							
26	1	129908-39610	PIPE, OIL	1							
27	1	129908-39690	GASKET	1							
28	1	123901-39820	HOSE	1							
29	1	23000-025000	CLAMP, 25	2							
30	1	26106-060162	BOLT, M6X 16 PLATED	2							
31	1	129908-39410	VALVE ASSY, CHECK	4							
37	1	119000-39650	NOZZLE	4							
38	1	22351-030010	PIN, SPRING 3.0X10	4							

N:Old $\frac{100}{100}$ New, Q:Old $\frac{100}{100}$ New, R:Old $\frac{100}{100}$ New, S:Old $\frac{100}{100}$ New, W:Add, Z:Discontinued, F:Interchangeable by set, K:Q'ty Change
 Copyright (C) YANMAR CO., LTD. All Rights Reserved.

Fig.12. COOLING WATER SYSTEM

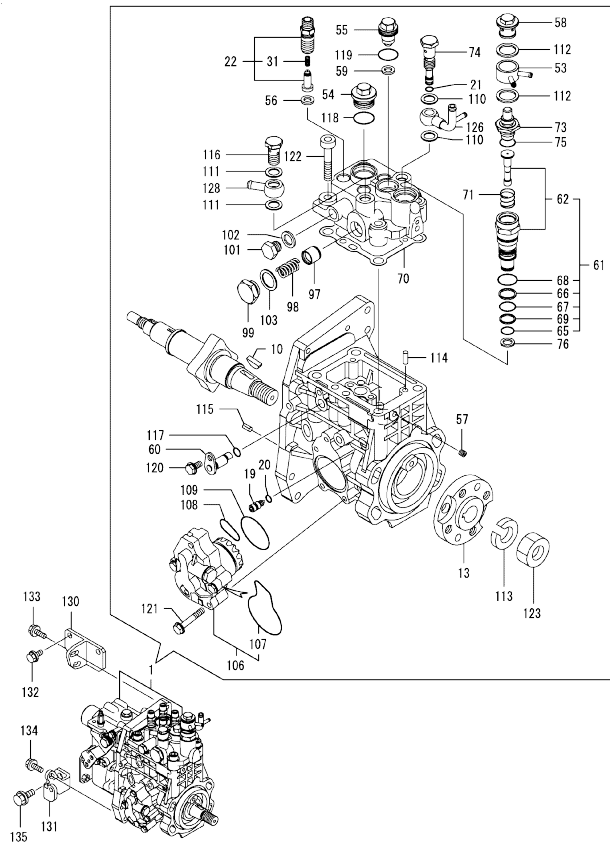


(A)=4TNV98T-STXC
(B)=
(C)=

(D)=
(E)=
(F)=

No.	Lev.	Parts No.	Description	Qty						I	R
				(A)	(B)	(C)	(D)	(E)	(F)		
1	1	129907-42000	PUMP ASSY, WATER	1							
11	1	129900-42020	GASKET, WATER PUMP	1							
12	1	26106-060302	BOLT, M6X 30 PLATED	2							
13	1	26106-080552	BOLT, M8X 55 PLATED	5							
14	1	129930-42450	V-PULLEY	1							
15	1	26106-080102	BOLT, M8X 10 PLATED	4							
16	1	25152-004100	V-BELT, A41	1							
17	1	129907-49800	CASE ASSY, THERMOSTAT	1							
20	2	129916-49530	COVER, THERMOSTAT	1							
21	2	121850-49540	GASKET, THERMOSTAT	1							
22	2	121850-49550	GASKET, THERMOSTAT	1							
23	2	129907-49730	RETAINER, PIPE	1							
24	2	121850-49810	THERMOSTAT, 71	1							
26	2	23875-030000	PLUG, R03	2							
27	2	26106-060122	BOLT, M6X 12 PLATED	1							
28	2	26106-060202	BOLT, M6X 20 PLATED	4							
29	1	129900-49870	GASKET	1							
30	1	23414-080000	GASKET, 8X1.0	1							
31	1	26106-080122	BOLT, M8X 12 PLATED	1							
32	1	26106-080602	BOLT, M8X 60 PLATED	3							
33	1	121450-42450	PLUG, M16	1							
34	1	121250-44901	SWITCH, 110	1							
35	1	124465-44950	GASKET, 16	1							
36	1	124465-44950	GASKET, 16	1							
37	1	129907-49610	HOSE ASSY, WATER	1							
38	2	129907-49710	PIPE ASSY, WATER	1							
39	2	129907-49750	TUBE, CORRUGATED	1							
40	2	124722-59050	CLIP, HOSE 9	2							
41	1	129907-49620	HOSE ASSY, WATER	1							
42	2	129907-49720	PIPE ASSY, WATER	1							
43	2	124722-59050	CLIP, HOSE 9	2							
44	1	720445-44200	TANK ASSY, SUB	1							
46	2	120445-44540	SUPPORT	1							

Fig.13. FUEL INJECTION PUMP



(A)=4TNV98T-STXC
(B)=
(C)=

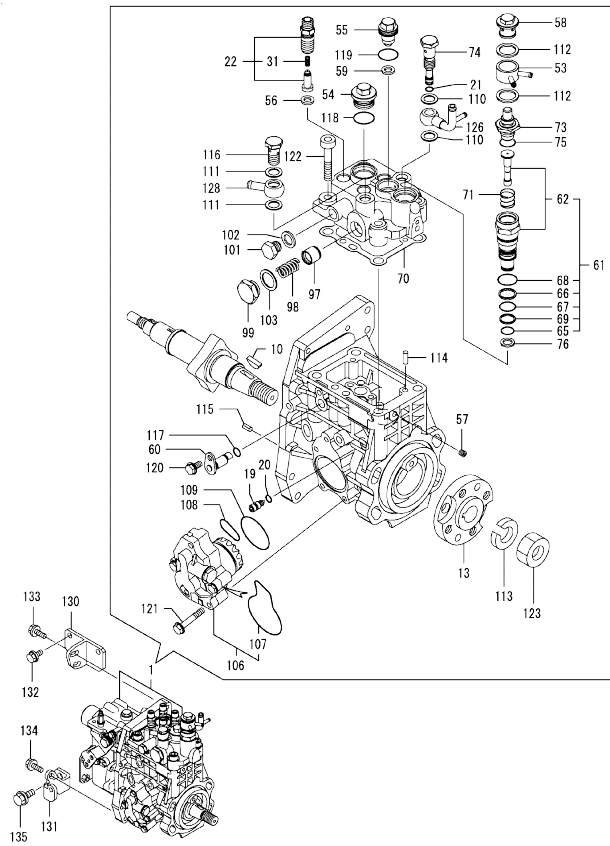
(D)=
(E)=
(F)=

No.	Lev.	Parts No.	Description	Q'ty						I	R
				(A)	(B)	(C)	(D)	(E)	(F)		
1	1	729933-51330	PUMP ASSY, INJECTION	1							1
10	2	144626-51090	KEY, 5X19	1							
13	2	158563-51150	FLANGE	1							
19	2	158600-51270	STOPPER, TAPPET	1							
20	2	158563-51281	O-RING, 4D S6	1							
21	2	158563-51281	O-RING, 4D S6	1							
22	2	129509-51390	VALVE ASSY, DELIVERY	4							
31	3	158563-51330	SPRING, DELIVERY	4							
53	2	158553-51551	JOINT	1							
54	2	158601-51550	PLUG	1							
55	2	129907-51560	PLUG, BARREL	1							
56	2	158552-51571	GASKET	4							
57	2	158557-51570	PLUG	1							
58	2	158601-51570	PLUG	1							
59	2	129906-51580	GASKET	1							
60	2	158552-51580	LIFTER	1							
61	2	119802-51590	TIMER SET	1							
62	3	119802-51600	TIMER ASSY	1							
65	3	158553-51670	O-RING, 1011	1							
66	3	119802-51680	RING, BACK UP	1							
67	3	119802-51690	O-RING	1							
68	3	24356-010200	O-RING, 4D1020	1							
69	3	24372-000150	RING, BACK UP T2P15	1							
70	2	158560-51600	GASKET	1							
71	2	158553-51630	SPRING, TIMER	1							
73	2	158553-51640	ELEMENT	1							
74	2	158601-51650	JOINT, OVER FLOW	1							
75	2	158553-51660	O-RING, P14	1							
76	2	158553-51680	GASKET	1							
97	2	158601-51770	PISTON	1							
98	2	158552-51781	SPRING	1							
99	2	158601-51790	PLUG	1							
101	2	158553-51930	PLUG, M12	1							
102	2	22190-120002	WASHER, SEAL 12	1							
103	2	22190-180002	WASHER, SEAL 18	1							
106	2	158552-52100	PUMP ASSY, FUEL FEED	1							
107	3	158552-52500	O-RING	1							
108	2	158552-52311	O-RING	1							
109	2	158552-52400	O-RING, 4E S42	1							
110	2	22190-120002	WASHER, SEAL 12	2							
111	2	22190-120002	WASHER, SEAL 12	2							
112	2	22190-180002	WASHER, SEAL 18	2							
113	2	22217-180000	WASHER, SPRING 18	1							
114	2	22312-050140	PIN, PARALLEL M5X14	2							
115	2	22351-050010	PIN, SPRING 5.0X10	2							
116	2	23857-060000	BOLT, JOINT 6	1							
117	2	24311-000070	O-RING, 1AP7.0	1							
118	2	24356-010200	O-RING, 4D1020	1							
119	2	24356-020210	O-RING, 4D2021	1							
120	2	26106-060102	BOLT, M6X 10 PLATED	1							
121	2	26106-060352	BOLT, M6X 35 PLATED	4							

Remarks
(1) GOVERNOR ASSY (FIG.14) IS INCORPORATED IN THIS FUEL INJECTION PUMP (REF.NO.1).

N:Old ^{REV}/_{REV} New, Q:Old ^{REV}/_{REV} New, R:Old ^{REV}/_{REV} New, S:Old ^{REV}/_{REV} New, W:Add, Z:Discontinued, F:Interchangeable by set, K:Q'ty Change
 ++ CONTINUE ++
 Copyright (C) YANMAR CO., LTD. All Rights Reserved.

Fig.13. FUEL INJECTION PUMP



(A)=4TNV98T-STXC
(B)=
(C)=

(D)=
(E)=
(F)=

No.	Lev.	Parts No.	Description	Q'ty						I	R
				(A)	(B)	(C)	(D)	(E)	(F)		
122	2	26450-100452	BOLT, M10X 45	4							
123	2	26776-180002	NUT, LOCK M18	1							
126	2	158552-51670	JOINT, OVER FLOW	1							
128	2	129916-59020	JOINT, PIPE 12	1							
130	1	129907-01950	RETAINER	1							
131	1	129907-01960	RETAINER	1							
132	1	26106-080162	BOLT, M8X 16 PLATED	2							
133	1	26106-080222	BOLT, M8X 22 PLATED	2							
134	1	26106-080222	BOLT, M8X 22 PLATED	1							
135	1	26106-100202	BOLT, M10X 20 PLATED	1							

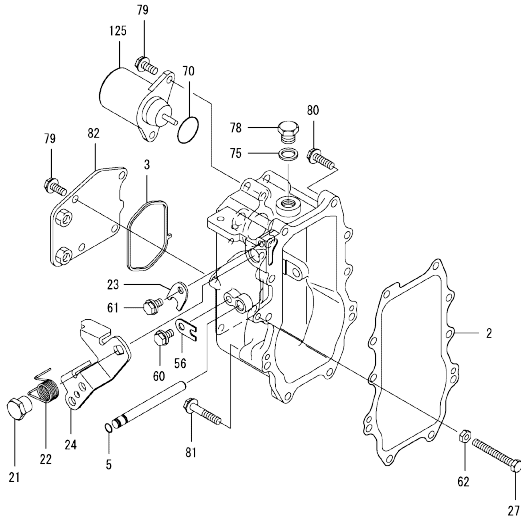
Remarks
(1) GOVERNOR ASSY (FIG.14) IS INCORPORATED IN THIS FUEL INJECTION PUMP (REF.NO.1).

N:Old $\frac{100}{100}$ New, Q:Old $\frac{100}{100}$ New, R:Old $\frac{100}{100}$ New, S:Old $\frac{100}{100}$ New, W:Add, Z:Discontinued, F:Interchangeable by set, K:Q'ty Change
Copyright (C) YANMAR CO., LTD. All Rights Reserved.

Fig.14. GOVERNOR

(A)=4TNV98T-STXC
(B)=
(C)=

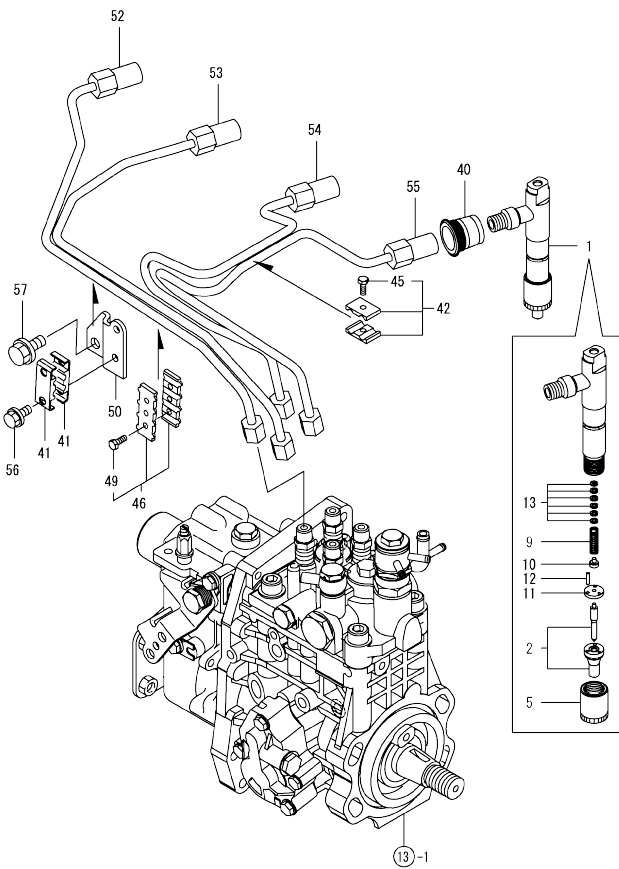
(D)=
(E)=
(F)=



No.	Lev.	Parts No.	Description	Q'ty						I	R
				(A)	(B)	(C)	(D)	(E)	(F)		
2	2	158560-61050	GASKET	1							
3	2	158560-61071	GASKET	1							
5	2	129155-51280	O-RING, S6	1							
21	2	129255-61410	NUT, LOCK	1							
22	2	119807-61420	SPRING, RETURN	1							
23	2	158560-61430	RETAINER, SHAFT	1							
24	2	158560-61442	LEVER, REGULATOR	1							
27	2	129155-61460	BOLT, IDLE	1							
56	2	119660-61901	RETAINER, SHAFT	1							
60	2	26106-060102	BOLT, M6X 10 PLATED	1							
61	2	26106-060102	BOLT, M6X 10 PLATED	1							
62	2	26756-060002	NUT, LOCK M6	1							
70	2	158552-61900	O-RING	1							
75	2	22190-160002	WASHER, SEAL 16	1							
78	2	23887-160002	PLUG, 16	1							
79	2	26106-060142	BOLT, M6X 14 PLATED	6							
80	2	26106-060252	BOLT, M6X 25 PLATED	8							
81	2	26106-060402	BOLT, M6X 40 PLATED	2							
82	2	123945-61060	COVER, GOVERNOR CASE	1							
125	2	119653-77950	SOLENOID, STOP	1							

Remarks
* THIS FIGURE (GOVERNOR ASSY) IS INCORPORATED IN THE FUEL INJECTION PUMP ASSY (FIG.13).

Fig.15. FUEL INJECTION VALVE

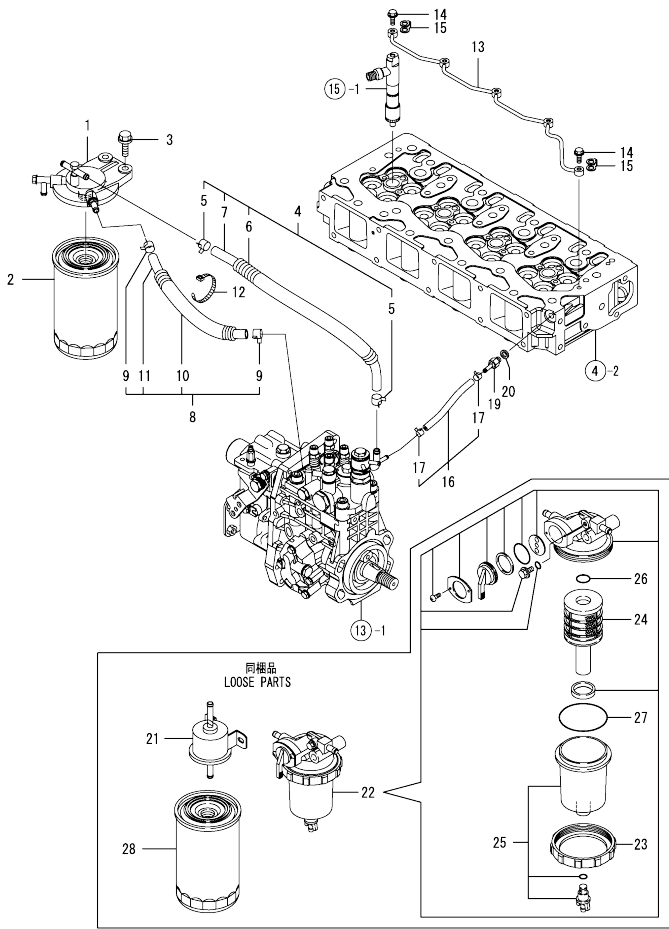


(A)=4TNV98T-STXC
(B)=
(C)=

(D)=
(E)=
(F)=

No.	Lev.	Parts No.	Description	Q'ty						I	R
				(A)	(B)	(C)	(D)	(E)	(F)		
1	1	729933-53100	VALVE ASSY,INJECTION	4							
2	2	129933-53000	VALVE ASSY,INJECTION	4							
5	2	114250-53080	NUT, NOZZLE D16.95	4							
9	2	114250-53120	SPRING, NOZZLE	4							
10	2	114250-53130	SEAT, SPRING	4							
11	2	114250-53140	PLATE	4							
12	2	114250-53210	PIN	8							
13	2	119803-53400	SHIM SET	4							
40	1	123907-11601	SEAL	4							
41	1	122780-59100	RETAINER	2							
42	1	119305-59120	RETAINER, PIPE	1							
45	2	129150-59131	BOLT, M4X14	1							
46	1	129550-59120	RETAINER, PIPE	1							
49	2	129150-59131	BOLT, M4X14	2							
50	1	129907-59710	SUPPORT	1							
52	1	129908-59810	PIPE ASSY, INJECTION	1							
53	1	129908-59820	PIPE ASSY, INJECTION	1							
54	1	129908-59830	PIPE ASSY, INJECTION	1							
55	1	129908-59840	PIPE ASSY, INJECTION	1							
56	1	26106-060162	BOLT, M6X 16 PLATED	2							
57	1	26106-080182	BOLT, M8X 18 PLATED	1							

Fig.16. FUEL LINE



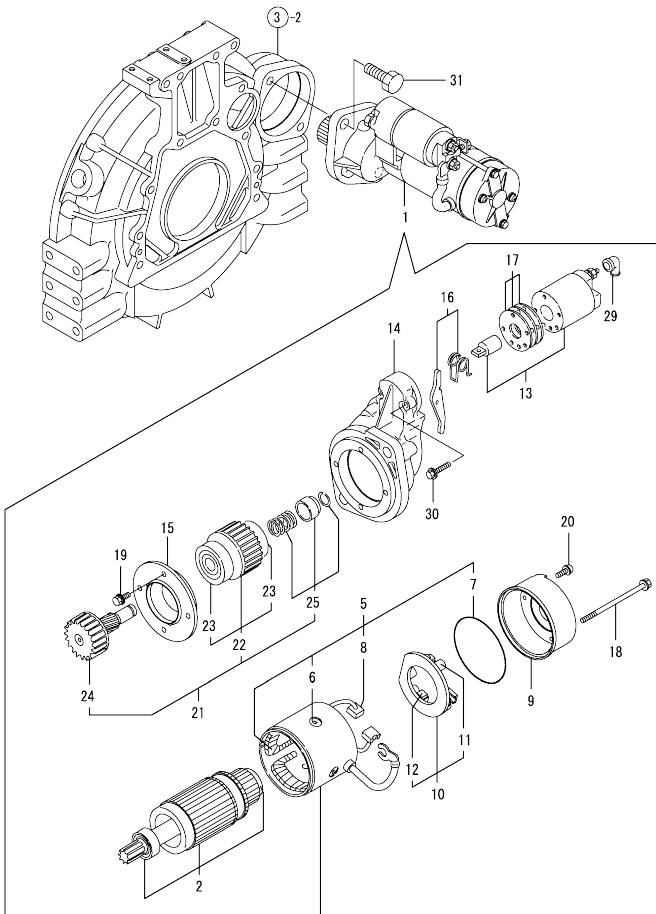
No.	Lev.	Parts No.	Description	Qty						I	R
				(A)	(B)	(C)	(D)	(E)	(F)		
1	1	129004-55612	BRACKET, FILTER	1							
2	1	129907-55801	FILTER, FUEL	1							
3	1	26106-080302	BOLT, M8X 30 PLATED	2							
4	1	129457-59010	PIPE ASSY, FUEL	1							
5	2	124766-59050	CLIP, HOSE 12	2							
6	2	129957-59120	TUBE, CORRUGATED	1							
7	2	105025-59750	PIPE, FUEL	1							
8	1	129981-59010	PIPE ASSY, FUEL	1							
9	2	124766-59050	CLIP, HOSE 12	2							
10	2	129950-59221	TUBE, CORRUGATED	1							
11	2	129980-59510	PIPE, FUEL	1							
12	1	121750-59890	BAND, 140	1							
13	1	129907-59140	PIPE ASSY, RETURN	1							
14	1	123907-59540	BOLT, PIPE JOINT M6	5							
15	1	123907-59550	GASKET	5							
16	1	129486-59551	PIPE ASSY, RETURN	1							
17	2	124722-59050	CLIP, HOSE 9	2							
19	1	123907-59560	JOINT	1							
20	1	22190-080002	WASHER, SEAL 6	1							
21	1	119225-52102	PUMP ASSY, FUEL FEED	1							
22	1	119802-55700	SEPARATOR ASSY	1							
23	2	129100-55690	RING, RETAINING	1							
24	2	119802-55710	ELEMENT	1							
25	2	119802-55730	CUP ASSY	1							
26	2	24311-000160	O-RING, 1AP16.0	1							
27	2	24321-000650	O-RING, 1AG65.0	1							
28	1	129907-55801	FILTER, FUEL	1							

N:Old $\frac{100}{100}$ New, Q:Old $\frac{100}{100}$ New, R:Old $\frac{100}{100}$ New, S:Old $\frac{100}{100}$ New, W:Add, Z:Discontinued, F:Interchangeable by set, K:Qty Change
 Copyright (C) YANMAR CO., LTD. All Rights Reserved.

Fig.17. STARTING MOTOR

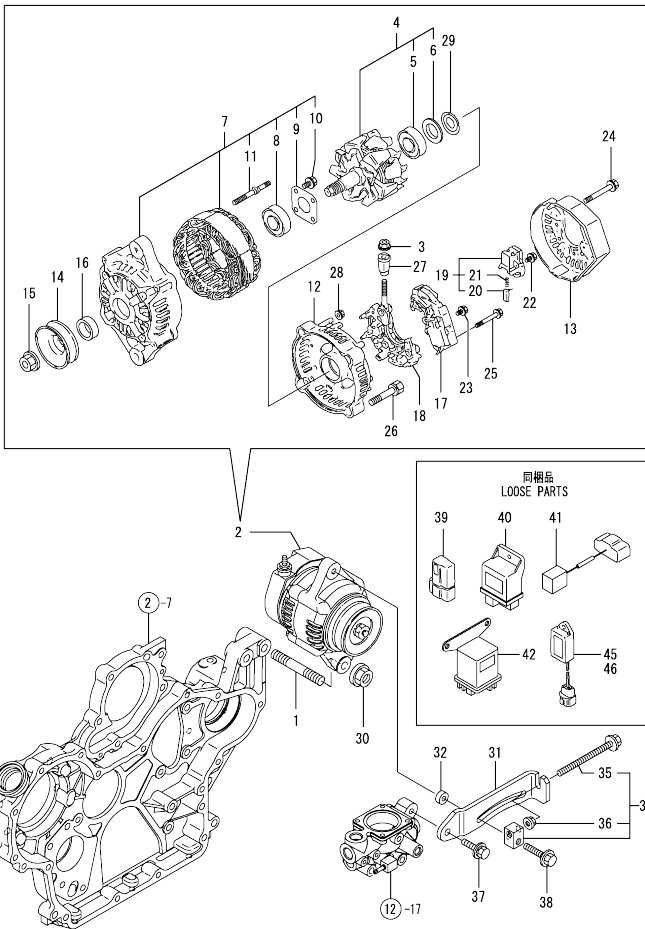
(A)=4TNV98T-STXC
(B)=
(C)=

(D)=
(E)=
(F)=



No.	Lev.	Parts No.	Description	Q'ty						I	R
				(A)	(B)	(C)	(D)	(E)	(F)		
1	1	129940-77010	STARTER	1							
2	2	129940-77100	ARMATURE ASSY	1							
5	2	129940-77130	COIL ASSY, FIELD	1							
6	3	129940-77140	SCREW	4							
7	3	129940-77150	O-RING	1							
8	3	129940-77160	BRUSH	2							
9	2	129940-77170	COVER	1							
10	2	129940-77180	HOLDER ASSY, BRUSH	1							
11	3	129940-77190	SPRING	1							
12	3	129940-77200	BRUSH	2							
13	2	129940-77210	SWITCH ASSY	1							
14	2	129940-77220	CASE, GEAR	1							
15	2	129940-77230	RETAINER	1							
16	2	129940-77240	LEVER SET	1							
17	2	129940-77250	COVER ASSY, DUST	1							
18	2	129940-77260	BOLT, THROUGH	2							
19	2	129940-77270	BOLT	4							
20	2	129940-77280	SCREW	2							
21	2	123900-77510	PINION ASSY	1							
22	3	123900-77520	CLUTCH ASSY	1							
23	4	X2240610100	BEARING, BALL	2							
24	3	123900-77540	SHAFT	1							
25	3	119131-77550	STOPPER KIT	1							
29	2	121254-77810	COVER, TERMINAL	1							
30	2	114371-79070	BOLT	2							
31	1	26116-120252	BOLT, M12X 25 PLATED	2							

Fig.18. GENERATOR

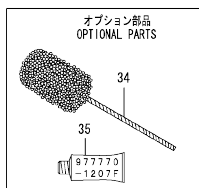
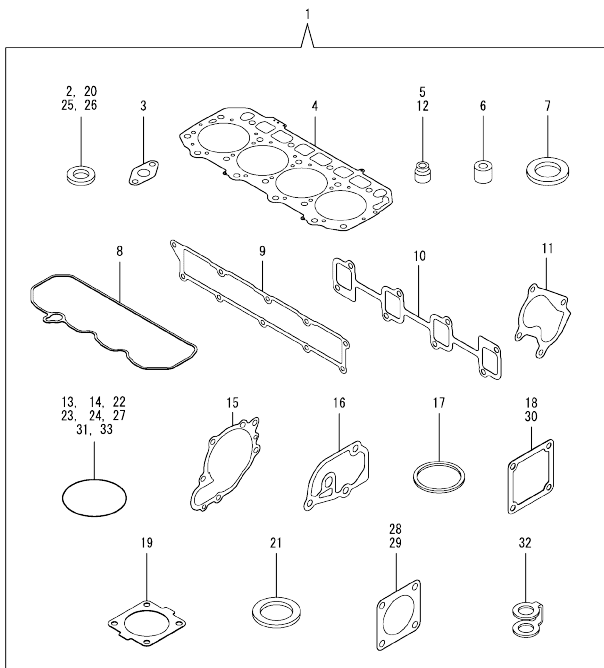


(A)=4TNV98T-STXC
(B)=
(C)=

(D)=
(E)=
(F)=

No.	Lev.	Parts No.	Description	Qty						I	R
				(A)	(B)	(C)	(D)	(E)	(F)		
1	1	129795-01900	STUD	1							
2	1	129423-77200	GENERATOR, 12V-40A	1							
3	2	X9490561001	NUT	1							
4	2	119620-77380	ROTOR ASSY	1							
5	3	123501-79240	BEARING, BALL	1							
6	3	119620-79250	COVER	1							
7	2	119620-77421	FRAME ASSY, DRIVE	1							
8	3	119620-79200	BEARING, BALL	1							
9	3	119620-79210	PLATE, RETAINER	1							
10	3	119620-79220	SCREW	4							
11	3	119620-79230	STUD	2							
12	2	119620-77440	FRAME ASSY	1							
13	2	129423-77450	COVER	1							
14	2	119620-77461	PULLEY	1							
15	2	119620-77471	NUT	1							
16	2	119620-77490	COLLAR	1							
17	2	129423-77710	REGULATOR ASSY	1							
18	2	119620-79260	HOLDER	1							
19	2	129052-79270	HOLDER, BRUSH	1							
20	3	119620-77480	BRUSH ASSY	2							
21	3	119620-79280	SPRING	2							
22	2	119620-79290	SCREW	6							
23	2	119620-79300	SCREW	1							
24	2	119620-79310	BOLT	3							
25	2	119620-79320	SCREW	2							
26	2	119620-79330	BOLT	2							
27	2	119620-79340	BUSH, INSULATION	1							
28	2	119620-79350	NUT	2							
29	2	119620-79360	WASHER, THRUST	1							
30	1	26306-100002	NUT, M10	1							
31	1	129906-77300	ADJUSTER	1							
32	1	121236-77340	SPACER	1							
33	1	119624-77351	BLOCK ASSY, ADJUSTER	1							
35	2	26106-081004	BOLT, M8X100 PLATED	1							
36	2	26306-080002	NUT, M8	1							
37	1	26014-080252	BOLT, M8X 25	1							
38	1	26106-080552	BOLT, M8X 55 PLATED	1							
39	1	119643-66900	DIODE	1							
40	1	119802-77200	RELAY, SAFETY	1							
41	1	129457-77511	CONNECTOR	1							
42	1	119650-77910	RELAY ASSY, GLOW	1							
45	1	128300-77920	TIMER	1							
46	1	129211-77920	TIMER	1							

Fig.19. GASKET SET



Remarks
(1) OPTIONAL PARTS.

No.	Lev.	Parts No.	Description	Q'ty						I	R
				(A)	(B)	(C)	(D)	(E)	(F)		
1	1	729908-92850	GASKET SET	1							1
2	2	23414-100000	GASKET, 10X1.0	2							
3	2	129908-39690	GASKET	1							
4	2	129907-01331	GASKET, HEAD	1							
5	2	124160-11340	SEAL, VALVE STEM	8							
6	2	119802-11870	PROTECTOR, NOZZLE	4							
7	2	119625-11880	SEAT, NOZZLE	4							
8	2	129933-11310	GASKET, BONNET	1							
9	2	129907-12110	GASKET, MANIFOLD	1							
10	2	129900-13251	GASKET	1							
11	2	123901-18080	GASKET	1							
12	2	119803-11340	SEAL, VALVE STEM	8							
13	2	129900-32030	O-RING, P20	2							
14	2	129900-32040	O-RING, P14	1							
15	2	129900-42020	GASKET, WATER PUMP	1							
16	2	129900-49870	GASKET	1							
17	2	121850-49550	GASKET, THERMOSTAT	1							
18	2	121850-77021	GASKET	1							
19	2	121850-49540	GASKET, THERMOSTAT	1							
20	2	23414-080000	GASKET, 8X1.0	1							
21	2	124465-44950	GASKET, 16	2							
22	2	24311-000070	O-RING, 1AP7.0	1							
23	2	24311-000120	O-RING, 1AP12.0	8							
24	2	24311-000320	O-RING, 1AP32.0	3							
25	2	22190-080002	WASHER, SEAL 6	9							
26	2	22190-220002	WASHER, SEAL 22	1							
27	2	24351-030750	O-RING, 1A3075	1							
28	2	129472-18090	GASKET	1							
29	2	124240-01883	GASKET	1							
30	2	119129-77020	GASKET	1							
31	2	24321-000600	O-RING, 1AG60.0	1							
32	2	123907-59550	GASKET	5							
33	2	24341-000530	O-RING, 1AS53.0	1							
34	1	129400-92450	HONE	1							1
35	1	977770-1207F	GASKET.LIQUID	1							1

N:Old $\frac{100}{100}$ New, Q:Old $\frac{100}{100}$ New, R:Old $\frac{100}{100}$ New, S:Old $\frac{100}{100}$ New, W:Add, Z:Discontinued, F:Interchangeable by set, K:Q'ty Change
Copyright (C) YANMAR CO., LTD. All Rights Reserved.

Parts No. Index

Parts No.	Fig. No.	Ref. No.
105025-59750	16	7
114250-39450	11	1
114250-53080	15	5
114250-53120	15	9
114250-53130	15	10
114250-53140	15	11
114250-53210	15	12
114371-79070	17	30
119000-39650	11	37
119005-35151	10	26
	27	
119005-77051	5	10
119006-03090	4	63
119100-11330	4	56
119129-77020	5	8
	19	30
119131-77550	17	25
119225-52102	16	21
119305-59120	15	42
119593-11301	4	29
119620-01750	3	4
119620-11180	4	14
119620-77380	18	4
119620-77421	18	7
119620-77440	18	12
119620-77461	18	14
119620-77471	18	15
119620-77480	18	20
119620-77490	18	16
119620-79200	18	8
119620-79210	18	9
119620-79220	18	10
119620-79230	18	11
119620-79250	18	6
119620-79260	18	18
119620-79280	18	21
119620-79290	18	22
119620-79300	18	23
119620-79310	18	24
119620-79320	18	25
119620-79330	18	26
119620-79340	18	27
119620-79350	18	28
119620-79360	18	29
119624-77351	18	33
119625-11880	4	25
	19	7
119640-01640	3	9
119643-66900	18	39
119650-77910	18	42

Parts No.	Fig. No.	Ref. No.
119653-77950	14	125
119660-61901	14	56
119802-11870	4	24
	19	6
119802-51590	13	61
119802-51600	13	62
119802-51680	13	66
119802-51690	13	67
119802-55700	16	22
119802-55710	16	24
119802-55730	16	25
119802-77200	18	40
119803-11340	4	15
	19	12
119803-53400	15	13
119807-61420	14	22
120130-22301	9	21
120445-44540	12	46
121236-77340	18	32
121250-44901	12	34
121252-39150	11	7
121254-77810	17	29
121450-42450	12	33
121520-34810	10	15
121750-59890	10	11
	16	12
121850-21130	9	11
121850-21290	9	4
121850-21920	9	5
121850-49540	12	21
	19	19
121850-49550	12	22
	19	17
121850-49810	12	24
121850-77021	5	9
	19	18
122780-59100	15	41
123501-79240	18	5
123900-13630	6	3
123900-25060	7	9
123900-77510	17	21
123900-77520	17	22
123900-77540	17	24
123901-03240	4	69
123901-03280	4	74
123901-18080	6	5
	19	11
123901-39820	11	28
123907-11280	4	34
123907-11550	4	1

Parts No.	Fig. No.	Ref. No.
123907-11601	15	40
123907-11820	4	21
123907-11830	4	20
123907-39500	11	16
123907-59540	16	14
123907-59550	16	15
	19	32
123907-59560	16	19
123910-49600	10	8
123910-49610	10	10
123912-33050	10	2
123912-33100	10	3
123945-61060	14	82
123951-18220	5	5
124070-13300	11	25
124160-01751	2	23
	4	49
124160-11340	4	16
	19	5
124160-11360	4	58
124223-39900	11	4
124240-01871	2	25
124240-01883	2	26
	19	29
124411-01780	3	7
124465-44950	12	35
	19	21
124722-59050	12	40
	43	
	16	17
124766-59050	16	5
	9	
128300-77920	18	45
129004-55612	16	1
129005-59830	11	8
	18	
129006-44480	10	5
129052-79270	18	19
129100-01580	2	4
	3	1
129100-55690	16	23
129150-02450	7	4
129150-03100	4	65
129150-11230	4	37
	41	
	4	19
129150-11750	4	19
	38	
	42	
129150-14200	7	1

Parts No.	Fig. No.	Ref. No.
129150-25920	7	16
129150-59131	15	45
		49
129155-51280	14	5
129155-61460	14	27
129211-77920	18	46
129255-61410	14	21
129400-92450	19	34
129410-03990	4	75
129418-18320	6	4
129423-77200	18	2
129423-77450	18	13
129423-77710	18	17
129457-59010	16	4
129457-77511	18	41
129466-49300	10	7
129472-18090	8	2
	19	28
129486-59551	16	16
129509-51390	13	22
129550-59120	15	46
129795-01900	18	1
129900-01200	1	27
129900-01250	1	4
129900-01620	3	2
129900-01850	2	28
129900-01870	2	29
129900-02020	1	6
129900-02341	1	33
129900-02410	1	9
129900-02931	1	24
129900-02941	1	36
129900-13251	6	2
	19	10
129900-14100	7	6
129900-21200	9	3
129900-21600	9	14
129900-23001	9	23
129900-23200	9	26
129900-23601	9	27
129900-23611	9	30
129900-23911	9	29
129900-25100	7	10
129900-32030	2	10
	10	18
	19	13
129900-32040	2	11
	19	14
129900-42020	12	11
	19	15

Parts No. Index

Parts No.	Fig. No.	Ref. No.
129900-49870	12	29
	19	16
129906-34851	10	16
129906-51580	13	59
129906-77300	18	31
129907-01190	1	29
129907-01331	1	28
	19	4
129907-01950	13	130
129907-01960	13	131
129907-03011	4	51
129907-03061	4	52
129907-03070	4	53
129907-07900	4	61
129907-11100	4	11
129907-11110	4	12
129907-11120	4	13
129907-11250	4	31
129907-11260	4	32
129907-11270	4	33
129907-11341	4	30
129907-11510	4	17
129907-11650	4	35
129907-11660	4	39
129907-11800	4	80
129907-11910	4	26
129907-11920	4	43
129907-11950	4	27
129907-12100	5	1
129907-12110	5	2
	19	9
129907-14400	7	2
129907-22050	9	17
129907-25900	7	15
129907-39061	11	14
129907-42000	12	1
129907-49610	12	37
129907-49620	12	41
129907-49710	12	38
129907-49720	12	42
129907-49730	12	23
129907-49750	12	39
129907-49800	12	17
129907-51560	13	55
129907-55801	16	2
		28
129907-59140	16	13
129907-59710	15	50
129908-01500	2	7
129908-03099	4	64

Parts No.	Fig. No.	Ref. No.
129908-03230	4	66
129908-03240	4	67
129908-03250	4	68
129908-11700	4	2
129908-13100	6	1
129908-14581	7	3
129908-18010	8	1
129908-18350	5	7
129908-21000	9	1
129908-22080	9	15
129908-32060	2	8
129908-33010	10	1
129908-33101	10	4
129908-39070	11	2
129908-39410	11	31
129908-39610	11	26
129908-39690	11	27
	19	3
129908-49060	10	6
129908-59810	15	52
129908-59820	15	53
129908-59830	15	54
129908-59840	15	55
129916-01710	3	8
129916-01800	2	3
129916-21590	9	12
129916-21610	9	7
129916-21680	9	9
129916-49530	12	20
129916-59020	13	128
129930-42450	12	14
129933-11310	4	55
	19	8
129933-11320	4	50
129933-53000	15	2
129935-03260	4	71
129935-03270	4	72
129940-77010	17	1
129940-77100	17	2
129940-77130	17	5
129940-77140	17	6
129940-77150	17	7
129940-77160	17	8
129940-77170	17	9
129940-77180	17	10
129940-77190	17	11
129940-77200	17	12
129940-77210	17	13
129940-77220	17	14
129940-77230	17	15

Parts No.	Fig. No.	Ref. No.
129940-77240	17	16
129940-77250	17	17
129940-77260	17	18
129940-77270	17	19
129940-77280	17	20
129950-59221	16	10
129951-01740	2	5
129953-25300	7	14
129953-35000	10	19
129957-59120	16	6
129960-03990	4	76
129960-21640	9	8
129980-59510	16	11
129981-59010	16	8
144626-51090	13	10
158552-51571	13	56
158552-51580	13	60
158552-51670	13	126
158552-51781	13	98
158552-52100	13	106
158552-52311	13	108
158552-52400	13	109
158552-52500	13	107
158552-61900	14	70
158553-51551	13	53
158553-51630	13	71
158553-51640	13	73
158553-51660	13	75
158553-51670	13	65
158553-51680	13	76
158553-51930	13	101
158557-51570	13	57
158560-51600	13	70
158560-61050	14	2
158560-61071	14	3
158560-61430	14	23
158560-61442	14	24
158563-51150	13	13
158563-51281	13	20
		21
158563-51330	13	31
158600-51270	13	19
158601-51550	13	54
158601-51570	13	58
158601-51650	13	74
158601-51770	13	97
158601-51790	13	99
171031-11741	2	31
171051-01921	1	5
171056-49120	10	14

Parts No.	Fig. No.	Ref. No.
22190-080002	11	9
		11
		19
		21
		23
	16	20
	19	25
22190-120002	13	102
		110
		111
22190-160002	14	75
22190-180002	13	103
		112
22190-220002	3	11
	19	26
22217-180000	13	113
22252-000300	9	22
22312-050140	13	114
22351-030010	11	38
22351-050010	13	115
22351-060012	1	11
22512-070140	7	7
	9	6
22857-500100	4	57
23000-022000	4	77
23000-025000	10	12
	11	29
23000-054000	5	6
23414-080000	12	30
	19	20
23414-100000	11	12
	19	2
23857-030000	11	10
		20
23857-060000	13	116
23875-030000	12	26
23876-020000	4	8
23876-030000	1	12
		13
		14
	4	9
23887-160002	14	78
24311-000070	2	12
	13	117
	19	22
24311-000120	4	28
		59
	19	23
24311-000160	16	26
24311-000320	2	24

Parts No. Index

Parts No.	Fig. No.	Ref. No.
24311-000320	2	32
	4	60
	19	24
24321-000600	10	13
	19	31
24321-000650	16	27
24341-000530	9	10
	19	33
24351-030750	2	13
	19	27
24356-010200	13	68
		118
24356-020210	13	119
24372-000150	13	69
25152-004100	12	16
26014-080252	18	37
26106-060102	13	120
	14	60
		61
26106-060122	12	27
26106-060142	14	79
26106-060162	11	30
	15	56
26106-060202	12	28
26106-060252	14	80
26106-060302	12	12
26106-060352	13	121
26106-060402	14	81
26106-080102	12	15
26106-080122	3	12
	4	78
	10	24
	11	13
		22
		24
	12	31
26106-080142	4	79
26106-080162	2	14
		15
		27
		30
	4	62
	7	8
	10	25
	13	132
26106-080182	15	57
26106-080202	2	16
26106-080222	13	133
		134
26106-080302	16	3

Parts No.	Fig. No.	Ref. No.
26106-080402	2	17
		18
	4	45
26106-080452	2	19
26106-080552	5	3
	7	13
	12	13
	18	38
26106-080602	4	46
		47
	12	32
26106-080702	2	20
		21
	5	11
26106-080852	5	4
26106-081004	18	35
26106-081202	5	12
26106-100202	13	135
26116-050102	4	70
26116-120252	17	31
26206-100352	3	5
26206-100702	3	6
26216-100302	2	9
26226-080222	4	44
26306-080002	4	48
	8	3
	18	36
26306-100002	2	22
	18	30
26450-100452	13	122
26756-060002	14	62
26776-180002	13	123
27241-300000	1	10
27241-400000	4	10
27310-070001	4	22
720445-44200	12	44
729900-02801	1	30
729906-01550	2	1
729907-22950	9	34
729908-01560	1	1
729908-22900	9	32
729908-92650	19	1
729933-51330	13	1
729933-53100	15	1
977770-1207F	19	35
X2240610100	17	23
X9490561001	18	3

Parts No.	Fig. No.	Ref. No.
-----------	----------	----------

Parts No.	Fig. No.	Ref. No.
-----------	----------	----------