

0CW10-M74200EN

P R E F A C E

1. This parts catalog is the 1st edition of 4TNV98T-SSZA for STRONG CONSTRUCTION MACHINERY Co.,Ltd.

Pub.No. : 0CW10-G74200

Published : April, 2012

2. Model name

| Engine model | Vehicle | Vehicle made by |
|--------------|-----------|---|
| 4TNV98T-SSZA | EXCAVATOR | STRONG CONSTRUCTION MACHINERY Co.,Ltd.. |

Contents

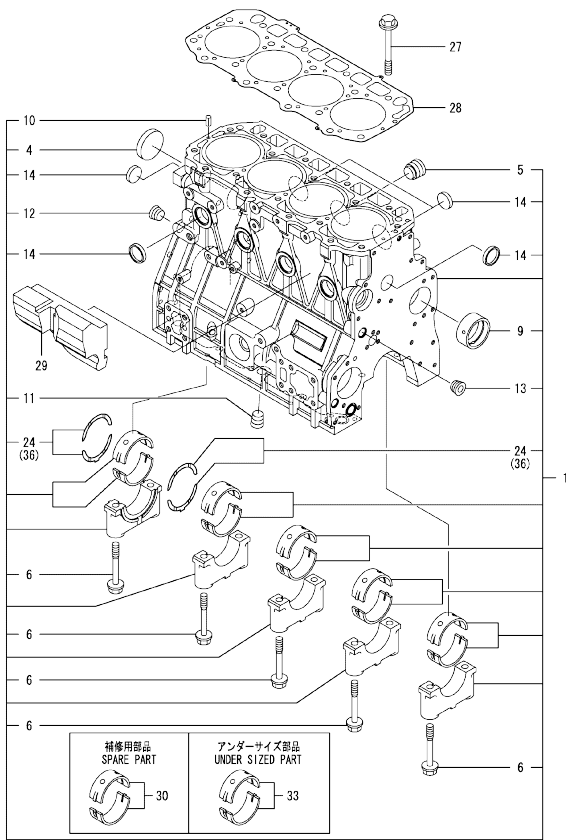
0CW10-M74200

| Fig. No. | Fig. Name | Fig. No. | Fig. Name |
|----------|-----------------------------|----------|-----------|
| ENGINE | | | |
| 1. | CYLINDER BLOCK | | |
| 2. | GEAR HOUSING | | |
| 3. | FLYWHEEL HOUSING & OIL SUMP | | |
| 4. | CYLINDER HEAD & BONNET | | |
| 5. | SUCTION MANIFOLD | | |
| 6. | EXHAUST MANIFOLD | | |
| 7. | CAMSHAFT & DRIVING GEAR | | |
| 8. | TURBINE | | |
| 9. | CRANKSHAFT & PISTON | | |
| 10. | LUB. OIL SYSTEM | | |
| 11. | LUB. OIL PIPING | | |
| 12. | COOLING WATER SYSTEM | | |
| 13. | FUEL INJECTION PUMP | | |
| 14. | GOVERNOR | | |
| 15. | FUEL INJECTION VALVE | | |
| 16. | FUEL PIPING | | |
| 17. | STARTING MOTOR | | |
| 18. | GENERATOR | | |
| 19. | GASKET SET | | |

Fig.1. CYLINDER BLOCK

(A)=4TNV98T-SSZA
(B)=
(C)=

(D)=
(E)=
(F)=

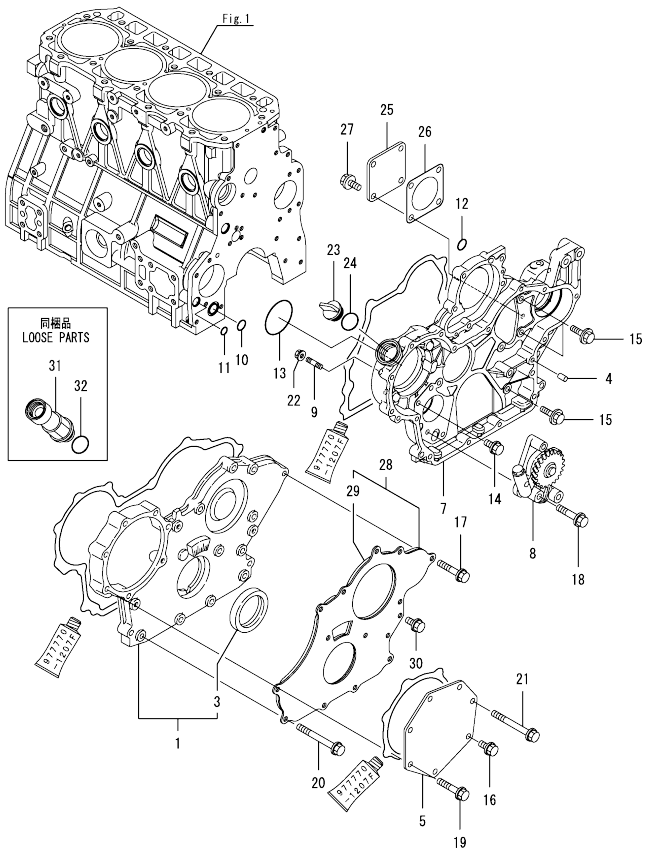


| No. | Lev. | Parts No. | Description | Q'ty | | | | | | I | R |
|-----|------|--------------|----------------------|------|-----|-----|-----|-----|-----|---|---|
| | | | | (A) | (B) | (C) | (D) | (E) | (F) | | |
| 1 | 1 | 729908-01560 | BLOCK ASSY, CYLINDER | 1 | | | | | | | |
| 4 | 2 | 129900-01250 | PLUG, 55 | 1 | | | | | | | |
| 5 | 2 | 171051-01921 | PLUG, NPTF1 | 1 | | | | | | | |
| 6 | 2 | 129900-02020 | BOLT, METAL CAP | 10 | | | | | | | |
| 9 | 2 | 129900-02410 | BUSH, CAMSHAFT | 1 | | | | | | | |
| 10 | 2 | 22351-060012 | PIN, SPRING 6.0X12 | 2 | | | | | | | |
| 11 | 2 | 23876-030000 | PLUG, R03 | 1 | | | | | | | |
| 12 | 2 | 23876-030000 | PLUG, R03 | 1 | | | | | | | |
| 13 | 2 | 23876-030000 | PLUG, R03 | 1 | | | | | | | |
| 14 | 2 | 27241-300000 | PLUG 30 | 8 | | | | | | | |
| 24 | 2 | 129900-02931 | BEARING, THRUST | 2 | | | | | | | |
| 27 | 1 | 129900-01200 | BOLT, HEAD | 18 | | | | | | | |
| 28 | 1 | 129907-01331 | GASKET, HEAD | 1 | | | | | | | |
| 29 | 1 | 129907-01190 | SPACER | 1 | | | | | | | |
| 30 | 1 | 729900-02801 | BEARING, MAIN | 5 | | | | | | | 1 |
| 33 | 1 | 129900-02341 | BEARING, 0.25 US | 5 | | | | | | | 2 |
| 36 | 1 | 129900-02941 | BEARING, THRUST 0.25 | 2 | | | | | | | 3 |

Remarks

- (1)Spare parts.
- (2)Under-sized(U.S.=0.25) parts.
- (3)Over-sized(O.S.=0.25) parts.

Fig.2. GEAR HOUSING

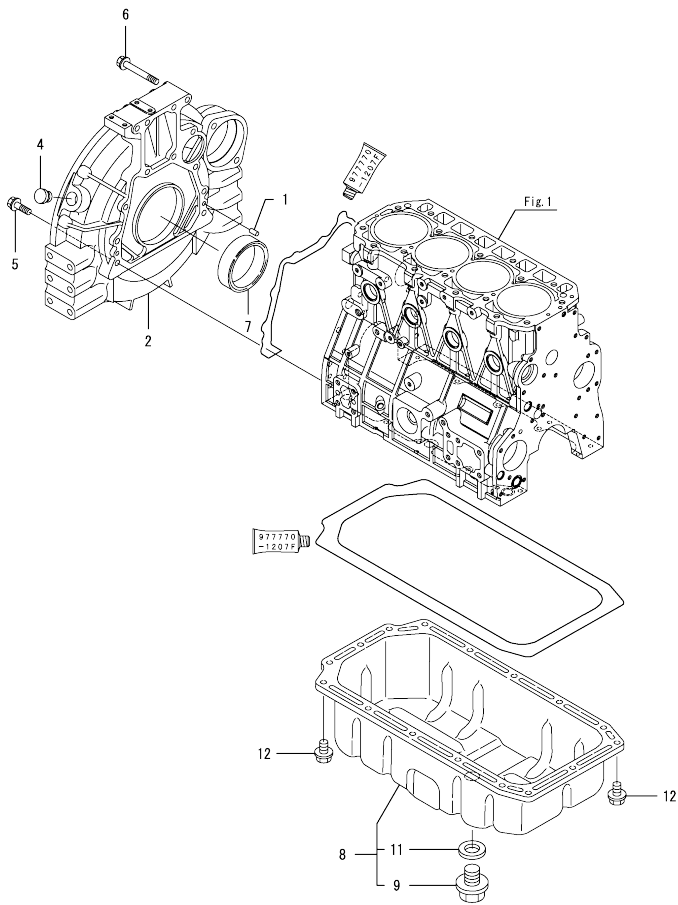


(A)=4TNV98T-SSZA
(B)=
(C)=

(D)=
(E)=
(F)=

| No. | Lev. | Parts No. | Description | Qty | | | | | | I | R | |
|-----|------|--------------|----------------------|-----|-----|-----|-----|-----|-----|---|---|--|
| | | | | (A) | (B) | (C) | (D) | (E) | (F) | | | |
| 1 | 1 | 729906-01550 | COVER ASSY,GEAR CASE | 1 | | | | | | | | |
| 3 | 2 | 129916-01800 | SEAL, OIL | 1 | | | | | | | | |
| 4 | 1 | 129100-01580 | PIN, M8X16 | 4 | | | | | | | | |
| 5 | 1 | 129951-01740 | COVER | 1 | | | | | | | | |
| 7 | 1 | 129908-01500 | CASE, GEAR | 1 | | | | | | | | |
| 8 | 1 | 129908-32060 | PUMP ASSY, OIL | 1 | | | | | | | | |
| 9 | 1 | 26216-100302 | STUD, M10X 30 | 4 | | | | | | | | |
| 10 | 1 | 129900-32030 | O-RING, P20 | 1 | | | | | | | | |
| 11 | 1 | 129900-32040 | O-RING, P14 | 1 | | | | | | | | |
| 12 | 1 | 24311-000070 | O-RING, 1AP7.0 | 1 | | | | | | | | |
| 13 | 1 | 24351-030750 | O-RING, 1A3075 | 1 | | | | | | | | |
| 14 | 1 | 26106-080162 | BOLT, M8X 16 PLATED | 1 | | | | | | | | |
| 15 | 1 | 26106-080202 | BOLT, M8X 20 PLATED | 3 | | | | | | | | |
| 16 | 1 | 26106-080202 | BOLT, M8X 20 PLATED | 1 | | | | | | | | |
| 17 | 1 | 26106-080402 | BOLT, M8X 40 PLATED | 5 | | | | | | | | |
| 18 | 1 | 26106-080452 | BOLT, M8X 45 PLATED | 3 | | | | | | | | |
| 19 | 1 | 26106-080452 | BOLT, M8X 45 PLATED | 5 | | | | | | | | |
| 20 | 1 | 26106-080702 | BOLT, M8X 70 PLATED | 6 | | | | | | | | |
| 21 | 1 | 26106-080752 | BOLT, M8X 75 PLATED | 1 | | | | | | | | |
| 22 | 1 | 26306-100002 | NUT, M10 | 4 | | | | | | | | |
| 23 | 1 | 124160-01751 | COVER, FILLER | 1 | | | | | | | | |
| 24 | 1 | 24311-000320 | O-RING, 1AP32.0 | 1 | | | | | | | | |
| 25 | 1 | 124240-01871 | COVER | 1 | | | | | | | | |
| 26 | 1 | 129C26-01890 | GASKET, HQ-P | 1 | | | | | | | | |
| 27 | 1 | 26106-080162 | BOLT, M8X 16 PLATED | 4 | | | | | | | | |
| 28 | 1 | 129900-01850 | COVER ASSY,GEAR CASE | 1 | | | | | | | | |
| 29 | 2 | 129900-01870 | SPONGE | 1 | | | | | | | | |
| 30 | 1 | 26106-080162 | BOLT, M8X 16 PLATED | 3 | | | | | | | | |
| 31 | 1 | 171031-11741 | PIPE | 1 | | | | | | | | |
| 32 | 1 | 24311-000320 | O-RING, 1AP32.0 | 1 | | | | | | | | |

Fig.3. FLYWHEEL HOUSING & OIL SUMP

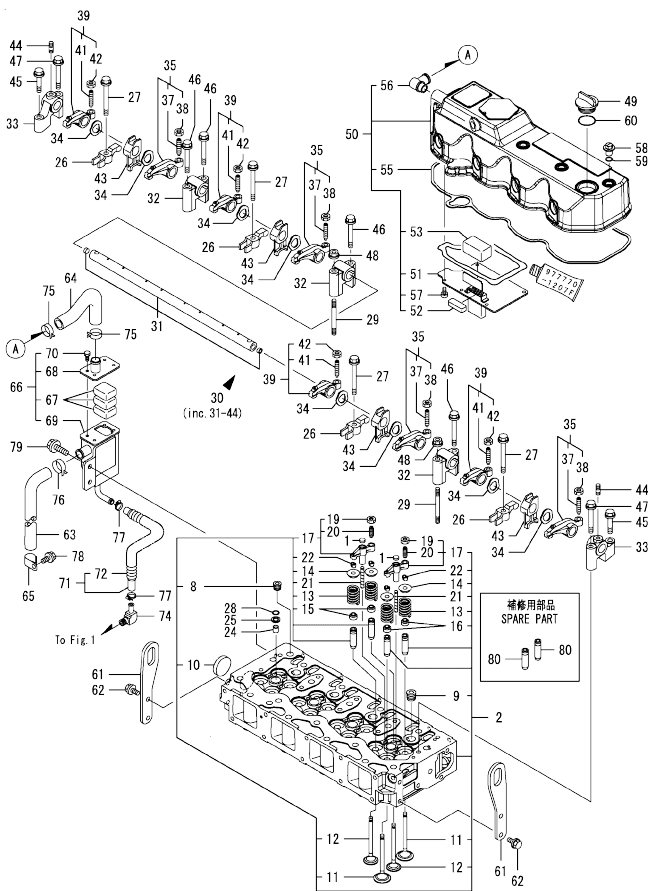


(A)=4TNV98T-SSZA
(B)=
(C)=

(D)=
(E)=
(F)=

| No. | Lev. | Parts No. | Description | Q'ty | | | | | |
|-----|------|--------------|----------------------|------|-----|-----|-----|-----|-----|
| | | | | (A) | (B) | (C) | (D) | (E) | (F) |
| 1 | 1 | 129100-01580 | PIN, M8X16 | 2 | | | | | |
| 2 | 1 | 129900-01620 | HOUSING, FLYWHEEL | 1 | | | | | |
| 4 | 1 | 119620-01750 | CAP | 1 | | | | | |
| 5 | 1 | 26206-100352 | BOLT, M10X 35 PLATED | 9 | | | | | |
| 6 | 1 | 26206-100702 | BOLT, M10X 70 PLATED | 4 | | | | | |
| 7 | 1 | 124411-01780 | SEAL, HTC95X115X12 | 1 | | | | | |
| 8 | 1 | 129916-01710 | SUMP ASSY, OIL | 1 | | | | | |
| 9 | 2 | 119640-01640 | PLUG, DRAIN M22 | 1 | | | | | |
| 11 | 2 | 22190-220002 | WASHER, SEAL 22 | 1 | | | | | |
| 12 | 1 | 26106-080122 | BOLT, M8X 12 PLATED | 16 | | | | | |

Fig.4. CYLINDER HEAD & BONNET



(A)=4TNV98T-SSZA
(B)=
(C)=

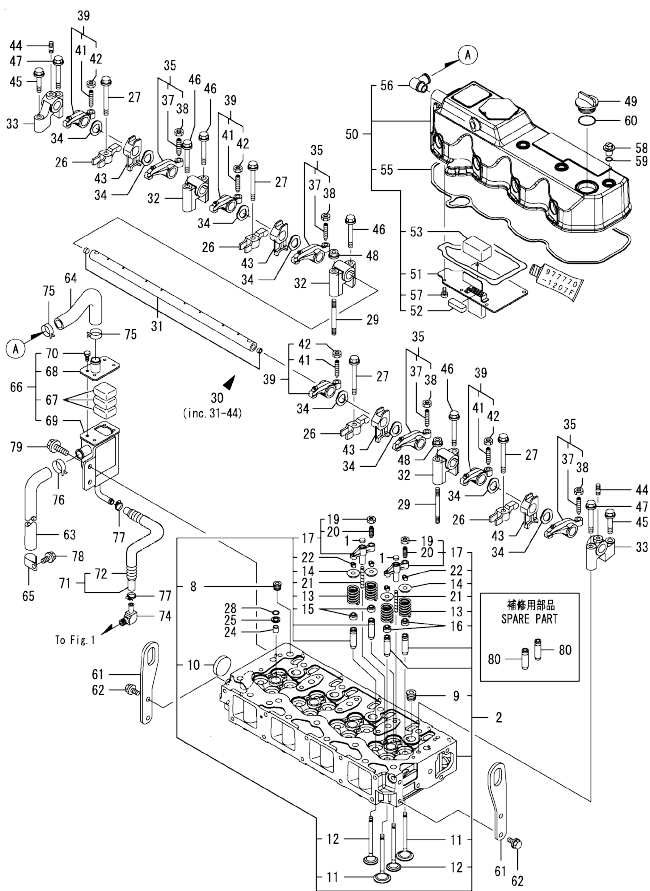
(D)=
(E)=
(F)=

| No. | Lev. | Parts No. | Description | Q'ty | | | | | | I | R |
|-----|------|--------------|---------------------|------|-----|-----|-----|-----|-----|---|---|
| | | | | (A) | (B) | (C) | (D) | (E) | (F) | | |
| 1 | 1 | 123907-11650 | SEAT, VALVE BRIDGE | 8 | | | | | | | |
| 2 | 1 | 129908-11700 | HEAD ASSY, CYLINDER | 1 | | | | | | | |
| 8 | 2 | 23876-020000 | PLUG, R02 | 1 | | | | | | | |
| 9 | 2 | 23876-030000 | PLUG, R03 | 4 | | | | | | | |
| 10 | 2 | 27241-400000 | PLUG, 40 | 1 | | | | | | | |
| 11 | 2 | 129907-11100 | VALVE, INTAKE | 8 | | | | | | | |
| 12 | 2 | 129907-11110 | VALVE, EXHAUST | 8 | | | | | | | |
| 13 | 2 | 129907-11120 | SPRING, VALVE | 16 | | | | | | | |
| 14 | 2 | 119620-11180 | RETAINER, SPRING | 16 | | | | | | | |
| 15 | 2 | 119803-11340 | SEAL, VALVE STEM | 8 | | | | | | | |
| 16 | 2 | 124160-11340 | SEAL, VALVE STEM | 8 | | | | | | | |
| 17 | 2 | 129907-11510 | BRIDGE ASSY, VALVE | 8 | | | | | | | |
| 19 | 3 | 129150-11750 | NUT, M8 | 8 | | | | | | | |
| 20 | 3 | 123907-11830 | ADJUSTER | 8 | | | | | | | |
| 21 | 2 | 123907-11820 | GUIDE | 8 | | | | | | | |
| 22 | 2 | 27310-070001 | COTTER, 7 | 16 | | | | | | | |
| 24 | 1 | 119802-11870 | PROTECTOR, NOZZLE | 4 | | | | | | | |
| 25 | 1 | 119625-11880 | SEAT, NOZZLE | 4 | | | | | | | |
| 26 | 1 | 129907-11910 | RETAINER, NOZZLE | 4 | | | | | | | |
| 27 | 1 | 129907-11950 | BOLT, M8X75 | 4 | | | | | | | |
| 28 | 1 | 24311-000120 | O-RING, 1AP12.0 | 4 | | | | | | | |
| 29 | 1 | 119593-11301 | STUD, M8X80 | 2 | | | | | | | |
| 30 | 1 | 129907-11341 | SHAFT ASSY, ROCKER | 1 | | | | | | | |
| 31 | 2 | 129907-11250 | SHAFT, ROCKER ARM | 1 | | | | | | | |
| 32 | 2 | 129907-11260 | SUPPORT, ROCKER ARM | 3 | | | | | | | |
| 33 | 2 | 129907-11270 | SUPPORT, ROCKER ARM | 2 | | | | | | | |
| 34 | 2 | 123907-11280 | WASHER | 8 | | | | | | | |
| 35 | 2 | 129907-11650 | ARM, ROCKER | 4 | | | | | | | |
| 37 | 3 | 129150-11230 | SCREW, VALVE ADJUST | 4 | | | | | | | |
| 38 | 3 | 129150-11750 | NUT, M8 | 4 | | | | | | | |
| 39 | 2 | 129907-11660 | ARM, ROCKER | 4 | | | | | | | |
| 41 | 3 | 129150-11230 | SCREW, VALVE ADJUST | 4 | | | | | | | |
| 42 | 3 | 129150-11750 | NUT, M8 | 4 | | | | | | | |
| 43 | 2 | 129907-11920 | RETAINER | 4 | | | | | | | |
| 44 | 2 | 26226-080222 | STUD, M8X 22 | 2 | | | | | | | |
| 45 | 1 | 26106-080402 | BOLT, M8X 40 PLATED | 2 | | | | | | | |
| 46 | 1 | 26106-080602 | BOLT, M8X 60 PLATED | 4 | | | | | | | |
| 47 | 1 | 26106-080602 | BOLT, M8X 60 PLATED | 2 | | | | | | | |
| 48 | 1 | 26306-080002 | NUT, M8 | 2 | | | | | | | |
| 49 | 1 | 124160-01751 | COVER, FILLER | 1 | | | | | | | |
| 50 | 1 | 129933-11320 | BONNET ASSY, HEAD | 1 | | | | | | | |
| 51 | 2 | 129907-03011 | PLATE | 1 | | | | | | | |
| 52 | 2 | 129907-03061 | BAFFLE, BREATHER | 1 | | | | | | | |
| 53 | 2 | 129907-03070 | BAFFLE, BREATHER | 1 | | | | | | | |
| 55 | 2 | 129933-11310 | GASKET, BONNET | 1 | | | | | | | |
| 56 | 2 | 119100-11330 | ELBOW | 1 | | | | | | | |
| 57 | 2 | 22857-500100 | SCREW, 5X10 | 6 | | | | | | | |
| 58 | 1 | 124160-11360 | KNOB | 4 | | | | | | | |
| 59 | 1 | 24311-000120 | O-RING, 1AP12.0 | 4 | | | | | | | |
| 60 | 1 | 24311-000320 | O-RING, 1AP32.0 | 1 | | | | | | | |
| 61 | 1 | 129907-07900 | LIFTER | 2 | | | | | | | |

Remarks
(1) Spare parts.

N:Old $\frac{100}{100}$ New, Q:Old $\frac{100}{100}$ New, R:Old $\frac{100}{100}$ New, S:Old $\frac{100}{100}$ New, W:Add, Z:Discontinued, F:Interchangeable by set, K:Q'ty Change
++ CONTINUE ++
Copyright (C) YANMAR CO., LTD. All Rights Reserved.

Fig.4. CYLINDER HEAD & BONNET



(A)=4TNV98T-SSZA
(B)=
(C)=

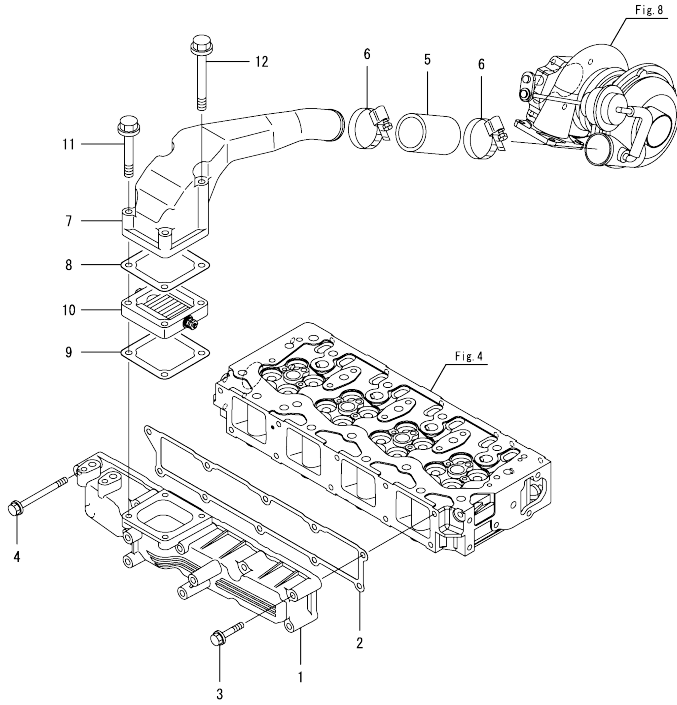
(D)=
(E)=
(F)=

| No. | Lev. | Parts No. | Description | Q'ty | | | | | | I | R |
|-----|------|--------------|---------------------|------|-----|-----|-----|-----|-----|---|---|
| | | | | (A) | (B) | (C) | (D) | (E) | (F) | | |
| 62 | 1 | 26106-080162 | BOLT, M8X 16 PLATED | 4 | | | | | | | |
| 63 | 1 | 119006-03090 | HOSE, BREATHER | 1 | | | | | | | |
| 64 | 1 | 129908-03099 | HOSE, BREATHER | 1 | | | | | | | |
| 65 | 1 | 129150-03100 | RETAINER, PIPE | 1 | | | | | | | |
| 66 | 1 | 129908-03230 | BREATHER ASSY | 1 | | | | | | | |
| 67 | 2 | 123901-03240 | FILTER | 3 | | | | | | | |
| 68 | 2 | 129908-03240 | COVER, BREATHER | 1 | | | | | | | |
| 69 | 2 | 129908-03250 | BREATHER | 1 | | | | | | | |
| 70 | 2 | 26116-050102 | BOLT, M5X 10 PLATED | 4 | | | | | | | |
| 71 | 1 | 129935-03260 | HOSE ASSY, RETURN | 1 | | | | | | | |
| 72 | 2 | 129935-03270 | TUBE, CORRUGATED | 1 | | | | | | | |
| 74 | 1 | 123901-03280 | ELBOW, PT3/8-10 | 1 | | | | | | | |
| 75 | 1 | 129410-03990 | CLIP | 2 | | | | | | | |
| 76 | 1 | 129960-03990 | CLIP, HOSE 22 | 1 | | | | | | | |
| 77 | 1 | 23000-022000 | CLAMP, 22 | 2 | | | | | | | |
| 78 | 1 | 26106-080122 | BOLT, M8X 12 PLATED | 1 | | | | | | | |
| 79 | 1 | 26106-080142 | BOLT, M8X 14 PLATED | 2 | | | | | | | |
| 80 | 1 | 129907-11800 | GUIDE, VALVE | 16 | | | | | | | 1 |

Remarks

(1) Spare parts.

Fig.5. SUCTION MANIFOLD

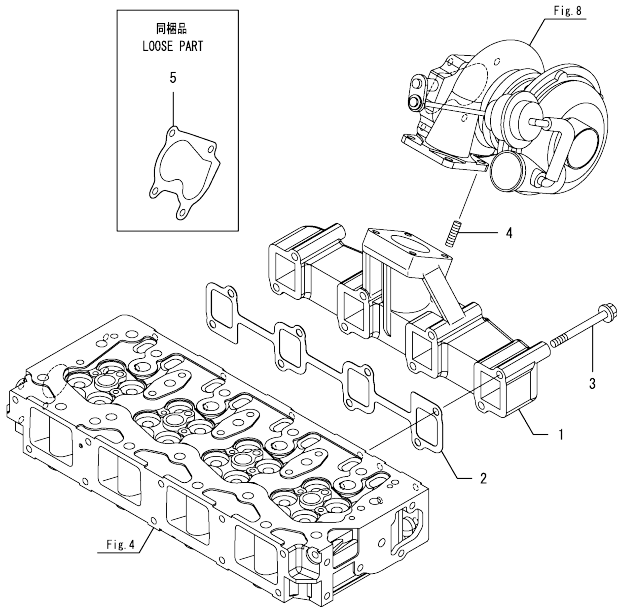


(A)=4TNV98T-SSZA
(B)=
(C)=

(D)=
(E)=
(F)=

| No. | Lev. | Parts No. | Description | Q'ty | | | | | |
|-----|------|--------------|----------------------|------|-----|-----|-----|-----|-----|
| | | | | (A) | (B) | (C) | (D) | (E) | (F) |
| 1 | 1 | 129907-12100 | MANIFOLD, AIR INTAKE | 1 | | | | | |
| 2 | 1 | 129907-12110 | GASKET, MANIFOLD | 1 | | | | | |
| 3 | 1 | 26106-080552 | BOLT, M8X 55 PLATED | 9 | | | | | |
| 4 | 1 | 26106-080852 | BOLT, M8X 85 PLATED | 1 | | | | | |
| 5 | 1 | 123951-18220 | JOINT, RUBBER | 1 | | | | | |
| 6 | 1 | 23000-054000 | CLAMP, 54 | 2 | | | | | |
| 7 | 1 | 129908-18350 | DUCT, AIR | 1 | | | | | |
| 8 | 1 | 119129-77020 | GASKET | 1 | | | | | |
| 9 | 1 | 121850-77021 | GASKET | 1 | | | | | |
| 10 | 1 | 119005-77051 | HEATER | 1 | | | | | |
| 11 | 1 | 26106-080702 | BOLT, M8X 70 PLATED | 2 | | | | | |
| 12 | 1 | 26106-081202 | BOLT, M8X120 PLATED | 2 | | | | | |

Fig.6. EXHAUST MANIFOLD

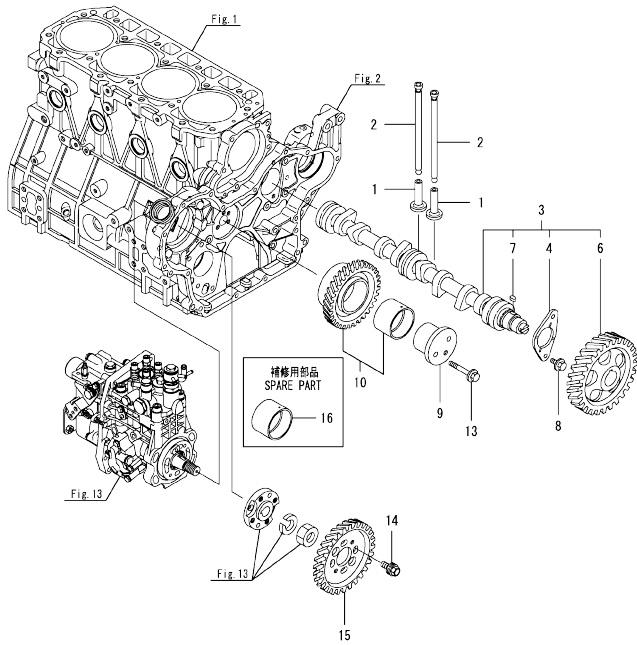


(A)=4TNV98T-SSZA
(B)=
(C)=

(D)=
(E)=
(F)=

| No. | Lev. | Parts No. | Description | Q'ty | | | | | |
|-----|------|--------------|-------------------|------|-----|-----|-----|-----|-----|
| | | | | (A) | (B) | (C) | (D) | (E) | (F) |
| 1 | 1 | 129908-13100 | MANIFOLD, EXHAUST | 1 | | | | | |
| 2 | 1 | 129900-13251 | GASKET | 1 | | | | | |
| 3 | 1 | 123900-13630 | BOLT, M8X80 | 8 | | | | | |
| 4 | 1 | 129418-18320 | STUD, M8X20 | 4 | | | | | |
| 5 | 1 | 123901-18080 | GASKET | 1 | | | | | |

Fig.7. CAMSHAFT & DRIVING GEAR



(A)=4TNV98T-SSZA
(B)=
(C)=

(D)=
(E)=
(F)=

| No. | Lev. | Parts No. | Description | Q'ty | | | | | | I | R |
|-----|------|--------------|---------------------|------|-----|-----|-----|-----|-----|---|---|
| | | | | (A) | (B) | (C) | (D) | (E) | (F) | | |
| 1 | 1 | 129150-14200 | TAPPET | 8 | | | | | | | |
| 2 | 1 | 129907-14400 | ROD, PUSH | 8 | | | | | | | |
| 3 | 1 | 129908-14581 | CAMSHAFT ASSY | 1 | | | | | | | |
| 4 | 2 | 129150-02450 | BEARING, THRUST | 1 | | | | | | | |
| 6 | 2 | 129900-14100 | GEAR, CAMSHAFT | 1 | | | | | | | |
| 7 | 2 | 22512-070140 | KEY, 7X 14 | 1 | | | | | | | |
| 8 | 1 | 26106-080162 | BOLT, M8X 16 PLATED | 2 | | | | | | | |
| 9 | 1 | 123900-25060 | SHAFT, IDLE GEAR | 1 | | | | | | | |
| 10 | 1 | 129900-25100 | GEAR ASSY, IDLE | 1 | | | | | | | |
| 13 | 1 | 26106-080552 | BOLT, M8X 55 PLATED | 3 | | | | | | | |
| 14 | 1 | 129953-25300 | BOLT | 4 | | | | | | | |
| 15 | 1 | 129907-25900 | GEAR, PUMP | 1 | | | | | | | |
| 16 | 1 | 129150-25920 | BUSH, IDLE GEAR | 1 | | | | | | | 1 |

Remarks

(1)Spare parts.

0CW10-M74200 ENGINE
 Fig.8. TURBINE

0CW10-M74200 Fig.8

(A)=4TNV98T-SSZA
 (B)=
 (C)=

(D)=
 (E)=
 (F)=

| No. | Lev. | Parts No. | Description | Q'ty | | | | | |
|-----|------|--------------|---------------|------|-----|-----|-----|-----|-----|
| | | | | (A) | (B) | (C) | (D) | (E) | (F) |
| 1 | 1 | 129908-18010 | TURBINE, RHF5 | 1 | | | | | |
| 2 | 1 | 129472-18090 | GASKET | 1 | | | | | |
| 3 | 1 | 26306-080002 | NUT, M8 | 4 | | | | | |

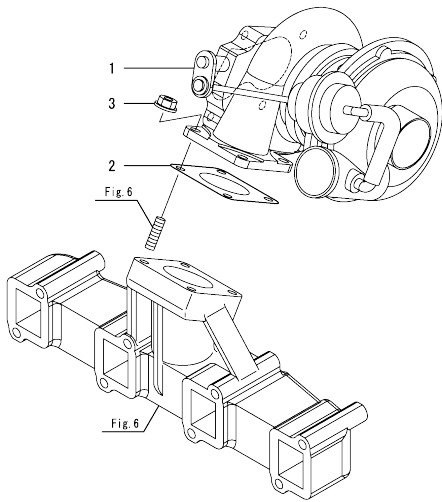
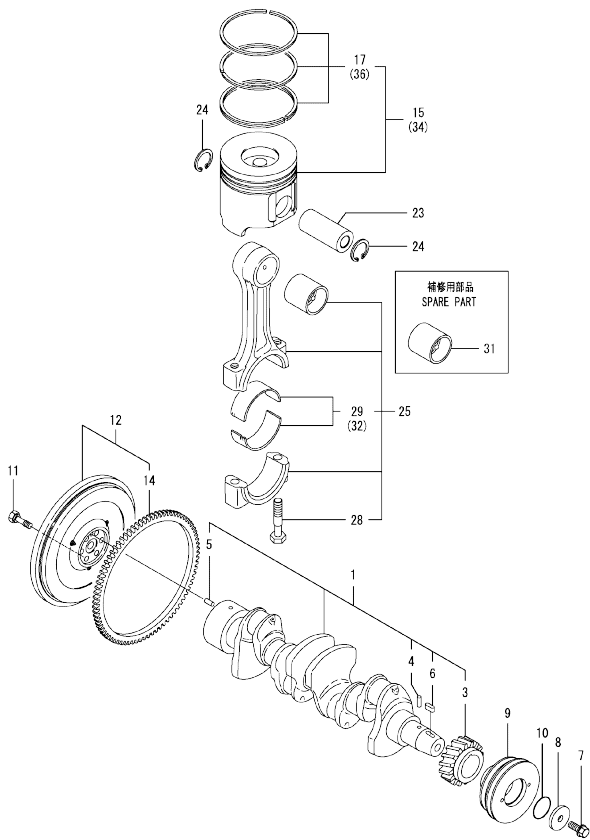


Fig.9. CRANKSHAFT & PISTON

(A)=4TNV98T-SSZA
(B)=
(C)=

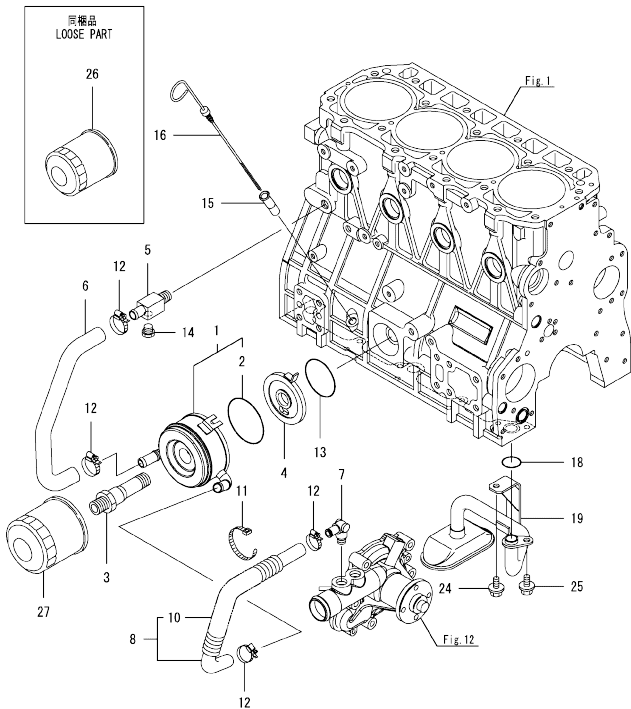
(D)=
(E)=
(F)=



| No. | Lev. | Parts No. | Description | Q'ty | | | | | | I | R |
|-----|------|--------------|----------------------|------|-----|-----|-----|-----|-----|---|---|
| | | | | (A) | (B) | (C) | (D) | (E) | (F) | | |
| 1 | 1 | 129908-21000 | CRANKSHAFT ASSY | 1 | | | | | | | |
| 3 | 2 | 129900-21200 | GEAR, CRANKSHAFT | 1 | | | | | | | |
| 4 | 2 | 121850-21290 | PIN | 1 | | | | | | | |
| 5 | 2 | 121850-21920 | PIN, M10X22 | 1 | | | | | | | |
| 6 | 2 | 22512-070140 | KEY, 7X 14 | 1 | | | | | | | |
| 7 | 1 | 129916-21610 | BOLT | 1 | | | | | | | |
| 8 | 1 | 129960-21640 | WASHER | 1 | | | | | | | |
| 9 | 1 | 129916-21680 | V-PULLEY | 1 | | | | | | | |
| 10 | 1 | 24341-000530 | O-RING, 1AS53.0 | 1 | | | | | | | |
| 11 | 1 | 121850-21130 | BOLT, FLYWHEEL | 6 | | | | | | | |
| 12 | 1 | 129916-21590 | FLYWHEEL ASSY | 1 | | | | | | | |
| 14 | 2 | 129900-21600 | GEAR, RING | 1 | | | | | | | |
| 15 | 1 | 129908-22080 | PISTON ASSY | 4 | | | | | | | |
| 17 | 2 | 129907-22051 | RING SET, PISTON | 4 | | | | | | | |
| 23 | 1 | 120130-22301 | PIN, PISTON | 4 | | | | | | | |
| 24 | 1 | 22252-000300 | RING, 30 | 8 | | | | | | | |
| 25 | 1 | 129900-23001 | ROD ASSY, CONNECTING | 4 | | | | | | | |
| 28 | 2 | 129900-23200 | BOLT, CONNECTING ROD | 8 | | | | | | | |
| 29 | 2 | 129900-23601 | BEARING, CRANK PIN | 4 | | | | | | | |
| 31 | 1 | 129900-23911 | BEARING, PISTON PIN | 4 | | | | | | | 1 |
| 32 | 1 | 129900-23611 | BEARING, 0.25 US | 4 | | | | | | | 2 |
| 34 | 1 | 729908-22900 | PISTON ASSY, 0.25 OS | 4 | | | | | | | 3 |
| 36 | 2 | 729907-22950 | RING SET, 0.25 OS | 4 | | | | | | | 3 |

Remarks
(1) Spare parts.
(2) Under-sized (U.S.=0.25) parts.
(3) Over-sized (O.S.=0.25) parts.

Fig.10. LUB. OIL SYSTEM



(A)=4TNV98T-SSZA
(B)=
(C)=

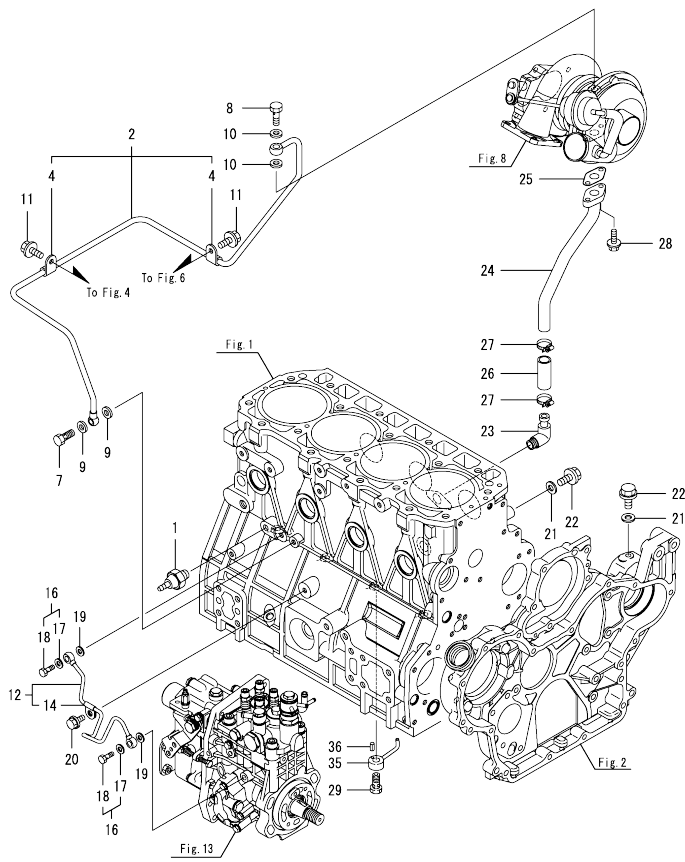
(D)=
(E)=
(F)=

| No. | Lev. | Parts No. | Description | Q'ty | | | | | | I | R |
|-----|------|--------------|----------------------|------|-----|-----|-----|-----|-----|---|---|
| | | | | (A) | (B) | (C) | (D) | (E) | (F) | | |
| 1 | 1 | 129908-33010 | COOLER ASSY, OIL | 1 | | | | | | | |
| 2 | 2 | 123912-33050 | O-RING | 1 | | | | | | | |
| 3 | 1 | 123912-33100 | BOLT, COOLER | 1 | | | | | | | |
| 4 | 1 | 129908-33101 | BRACKET, COOLER | 1 | | | | | | | |
| 5 | 1 | 129006-44480 | JOINT | 1 | | | | | | | |
| 6 | 1 | 129908-49060 | PIPE, WATER | 1 | | | | | | | |
| 7 | 1 | 129466-49300 | ELBOW, PT3/8 | 1 | | | | | | | |
| 8 | 1 | 123910-49600 | PIPE, WATER | 1 | | | | | | | |
| 10 | 2 | 123910-49610 | TUBE, CORRUGATED | 1 | | | | | | | |
| 11 | 1 | 121750-59890 | BAND, 140 | 1 | | | | | | | |
| 12 | 1 | 23000-025000 | CLAMP, 25 | 4 | | | | | | | |
| 13 | 1 | 24321-000600 | O-RING, 1AG60.0 | 1 | | | | | | | |
| 14 | 1 | 171056-49120 | PLUG, DRAIN | 1 | | | | | | | |
| 15 | 1 | 121520-34810 | GUIDE, DIPSTICK | 1 | | | | | | | |
| 16 | 1 | 129906-34851 | DIPSTICK, OIL | 1 | | | | | | | |
| 18 | 1 | 129900-32030 | O-RING, P20 | 1 | | | | | | | |
| 19 | 1 | 129953-35000 | PIPE ASSY, OIL INLET | 1 | | | | | | | |
| 24 | 1 | 26106-080122 | BOLT, M8X 12 PLATED | 1 | | | | | | | |
| 25 | 1 | 26106-080162 | BOLT, M8X 16 PLATED | 1 | | | | | | | |
| 26 | 1 | 119005-35151 | FILTER, D80X100L | 1 | | | | | | | |
| 27 | 1 | 119005-35151 | FILTER, D80X100L | 1 | | | | | | | 1 |

Remarks
(1)Spare parts.

N:Old $\frac{100}{100}$ New, Q:Old $\frac{100}{100}$ New, R:Old $\frac{100}{100}$ New, S:Old $\frac{100}{100}$ New, W:Add, Z:Discontinued, F:Interchangeable by set, K:Q'ty Change
Copyright (C) YANMAR CO., LTD. All Rights Reserved.

Fig.11. LUB. OIL PIPING

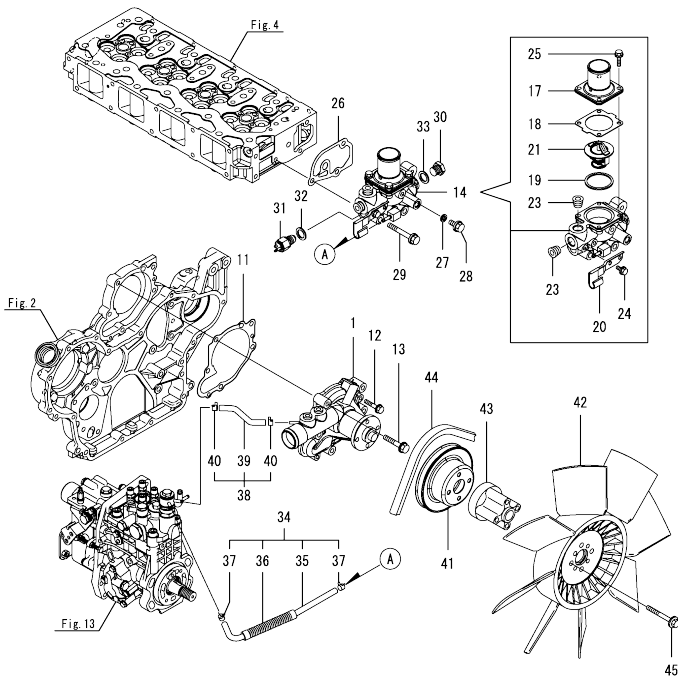


(A)=4TNV98T-SSZA
(B)=
(C)=

(D)=
(E)=
(F)=

| No. | Lev. | Parts No. | Description | Q'ty | | | | | | I | R |
|-----|------|--------------|---------------------|------|-----|-----|-----|-----|-----|---|---|
| | | | | (A) | (B) | (C) | (D) | (E) | (F) | | |
| 1 | 1 | 114250-39450 | SWITCH, 0.5KG | 1 | | | | | | | |
| 2 | 1 | 129908-39070 | PIPE ASSY, OIL | 1 | | | | | | | |
| 4 | 2 | 124223-39900 | RETAINER | 2 | | | | | | | |
| 7 | 1 | 105010-39140 | BOLT, PIPE JOINT | 1 | | | | | | | |
| 8 | 1 | 121252-39150 | BOLT, JOINT M10X1.5 | 1 | | | | | | | |
| 9 | 1 | 22190-080002 | WASHER, SEAL 6 | 2 | | | | | | | |
| 10 | 1 | 23414-100000 | GASKET, 10X1.0 | 2 | | | | | | | |
| 11 | 1 | 26106-080122 | BOLT, M8X 12 PLATED | 2 | | | | | | | |
| 12 | 1 | 129907-39061 | PIPE ASSY, OIL | 1 | | | | | | | |
| 14 | 2 | 123907-39500 | RETAINER | 1 | | | | | | | |
| 16 | 1 | 129005-59830 | BOLT ASSY, JOINT M8 | 2 | | | | | | | |
| 17 | 2 | 22190-080002 | WASHER, SEAL 6 | 2 | | | | | | | |
| 18 | 2 | 23857-030000 | BOLT, JOINT 3 | 2 | | | | | | | |
| 19 | 1 | 22190-080002 | WASHER, SEAL 6 | 2 | | | | | | | |
| 20 | 1 | 26106-080122 | BOLT, M8X 12 PLATED | 1 | | | | | | | |
| 21 | 1 | 22190-080002 | WASHER, SEAL 6 | 2 | | | | | | | |
| 22 | 1 | 26106-080122 | BOLT, M8X 12 PLATED | 2 | | | | | | | |
| 23 | 1 | 124070-13300 | ELBOW, PT3/8 | 1 | | | | | | | |
| 24 | 1 | 129908-39610 | PIPE, OIL | 1 | | | | | | | |
| 25 | 1 | 129908-39690 | GASKET | 1 | | | | | | | |
| 26 | 1 | 123901-39820 | HOSE | 1 | | | | | | | |
| 27 | 1 | 23000-025000 | CLAMP, 25 | 2 | | | | | | | |
| 28 | 1 | 26106-060162 | BOLT, M6X 16 PLATED | 2 | | | | | | | |
| 29 | 1 | 129908-39410 | VALVE ASSY, CHECK | 4 | | | | | | | |
| 35 | 1 | 119000-39650 | NOZZLE | 4 | | | | | | | |
| 36 | 1 | 22351-030010 | PIN, SPRING 3.0X10 | 4 | | | | | | | |

Fig.12. COOLING WATER SYSTEM

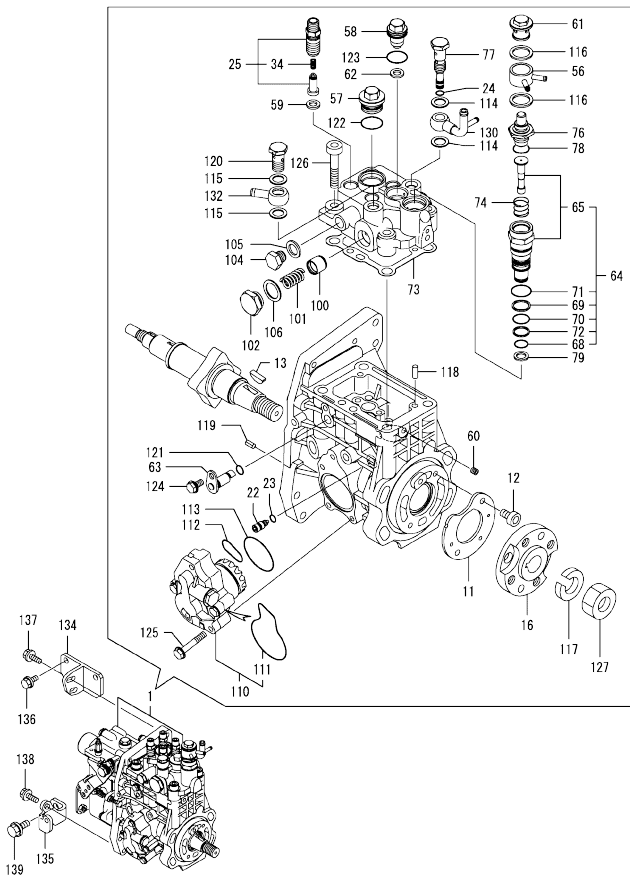


(A)=4TNV98T-SSZA
(B)=
(C)=

(D)=
(E)=
(F)=

| No. | Lev. | Parts No. | Description | Qty | | | | | | I | R |
|-----|------|--------------|-----------------------|-----|-----|-----|-----|-----|-----|---|---|
| | | | | (A) | (B) | (C) | (D) | (E) | (F) | | |
| 1 | 1 | 129907-42001 | PUMP ASSY, WATER | 1 | | | | | | | |
| 11 | 1 | 129900-42020 | GASKET, WATER PUMP | 1 | | | | | | | |
| 12 | 1 | 26106-060302 | BOLT, M6X 30 PLATED | 2 | | | | | | | |
| 13 | 1 | 26106-080552 | BOLT, M8X 55 PLATED | 5 | | | | | | | |
| 14 | 1 | 129907-49800 | CASE ASSY, THERMOSTAT | 1 | | | | | | | |
| 17 | 2 | 129916-49530 | COVER, THERMOSTAT | 1 | | | | | | | |
| 18 | 2 | 121850-49540 | GASKET, THERMOSTAT | 1 | | | | | | | |
| 19 | 2 | 121850-49550 | GASKET, THERMOSTAT | 1 | | | | | | | |
| 20 | 2 | 129907-49730 | RETAINER, PIPE | 1 | | | | | | | |
| 21 | 2 | 121850-49811 | THERMOSTAT | 1 | | | | | | | |
| 23 | 2 | 23875-030000 | PLUG, R03 | 2 | | | | | | | |
| 24 | 2 | 26106-060122 | BOLT, M6X 12 PLATED | 1 | | | | | | | |
| 25 | 2 | 26106-060202 | BOLT, M6X 20 PLATED | 4 | | | | | | | |
| 26 | 1 | 129900-49870 | GASKET | 1 | | | | | | | |
| 27 | 1 | 23414-080000 | GASKET, 8X1.0 | 1 | | | | | | | |
| 28 | 1 | 26106-080122 | BOLT, M8X 12 PLATED | 1 | | | | | | | |
| 29 | 1 | 26106-080602 | BOLT, M8X 60 PLATED | 3 | | | | | | | |
| 30 | 1 | 121450-42450 | PLUG, M16 | 1 | | | | | | | |
| 31 | 1 | 121250-44901 | SWITCH, 110 | 1 | | | | | | | |
| 32 | 1 | 124465-44950 | GASKET, 16 | 1 | | | | | | | |
| 33 | 1 | 124465-44950 | GASKET, 16 | 1 | | | | | | | |
| 34 | 1 | 129907-49610 | HOSE ASSY, WATER | 1 | | | | | | | |
| 35 | 2 | 129907-49710 | PIPE ASSY, WATER | 1 | | | | | | | |
| 36 | 2 | 129907-49750 | TUBE, CORRUGATED | 1 | | | | | | | |
| 37 | 2 | 124722-59050 | CLIP, HOSE 9 | 2 | | | | | | | |
| 38 | 1 | 129907-49620 | HOSE ASSY, WATER | 1 | | | | | | | |
| 39 | 2 | 129907-49720 | PIPE ASSY, WATER | 1 | | | | | | | |
| 40 | 2 | 124722-59050 | CLIP, HOSE 9 | 2 | | | | | | | |
| 41 | 1 | 129900-42462 | V-PULLEY, CW PUMP | 1 | | | | | | | |
| 42 | 1 | 129953-44710 | FAN, COOLING D=460 | 1 | | | | | | | |
| 43 | 1 | 119117-44760 | SPACER, FAN | 1 | | | | | | | |
| 44 | 1 | 25152-004100 | V-BELT, A41 | 1 | | | | | | | |
| 45 | 1 | 26106-080802 | BOLT, M8X 80 PLATED | 4 | | | | | | | |

Fig.13. FUEL INJECTION PUMP



(A)=4TNV98T-SSZA
(B)=
(C)=

(D)=
(E)=
(F)=

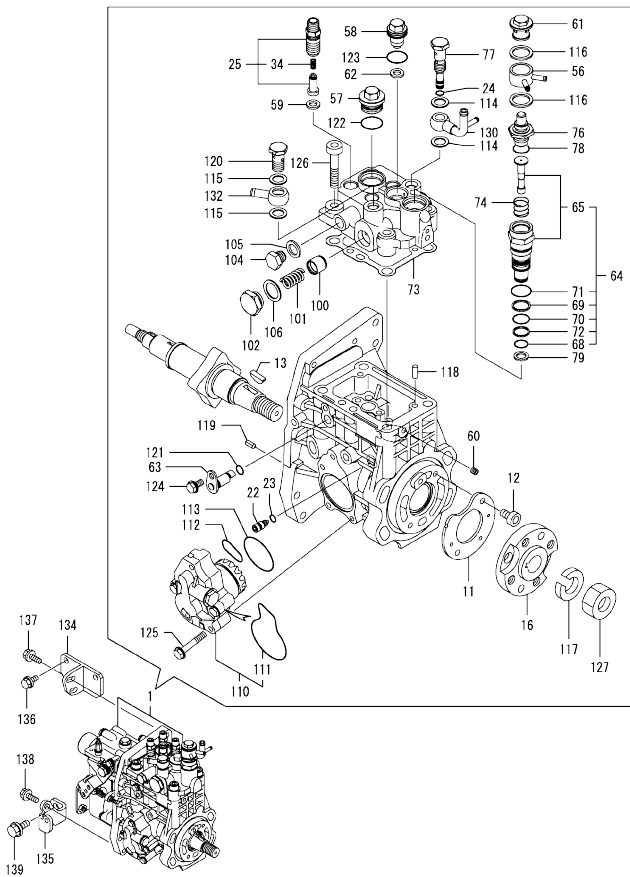
| No. | Lev. | Parts No. | Description | Q'ty | | | | | | I | R | |
|-----|------|--------------|----------------------|------|-----|-----|-----|-----|-----|---|---|--|
| | | | | (A) | (B) | (C) | (D) | (E) | (F) | | | |
| 1 | 1 | 729933-51330 | PUMP ASSY, INJECTION | 1 | | | | | | | 1 | |
| 11 | 2 | 129928-51900 | COVER | 1 | | | | | | | | |
| 12 | 2 | 129008-51920 | BOLT, M6X10 | 2 | | | | | | | | |
| 13 | 2 | 144626-51090 | KEY, 5X19 | 1 | | | | | | | | |
| 16 | 2 | 158563-51150 | FLANGE | 1 | | | | | | | | |
| 22 | 2 | 158600-51270 | STOPPER, TAPPET | 1 | | | | | | | | |
| 23 | 2 | 158563-51281 | O-RING, 4D S6 | 1 | | | | | | | | |
| 24 | 2 | 158563-51281 | O-RING, 4D S6 | 1 | | | | | | | | |
| 25 | 2 | 129509-51390 | VALVE ASSY, DELIVERY | 4 | | | | | | | | |
| 34 | 3 | 158563-51330 | SPRING, DELIVERY | 4 | | | | | | | | |
| 56 | 2 | 158553-51551 | JOINT | 1 | | | | | | | | |
| 57 | 2 | 158601-51550 | PLUG | 1 | | | | | | | | |
| 58 | 2 | 129907-51560 | PLUG, BARREL | 1 | | | | | | | | |
| 59 | 2 | 158552-51571 | GASKET | 4 | | | | | | | | |
| 60 | 2 | 158557-51570 | PLUG | 1 | | | | | | | | |
| 61 | 2 | 158601-51570 | PLUG | 1 | | | | | | | | |
| 62 | 2 | 129906-51580 | GASKET | 1 | | | | | | | | |
| 63 | 2 | 158552-51580 | LIFTER | 1 | | | | | | | | |
| 64 | 2 | 119802-51590 | TIMER SET | 1 | | | | | | | | |
| 65 | 3 | 119802-51600 | TIMER ASSY | 1 | | | | | | | | |
| 68 | 3 | 158553-51670 | O-RING, 1011 | 1 | | | | | | | | |
| 69 | 3 | 119802-51680 | RING, BACK UP | 1 | | | | | | | | |
| 70 | 3 | 119802-51690 | O-RING | 1 | | | | | | | | |
| 71 | 3 | 24356-190200 | O-RING, 4D19020 | 1 | | | | | | | | |
| 72 | 3 | 24372-000150 | RING, BACK UP T2P15 | 1 | | | | | | | | |
| 73 | 2 | 158560-51600 | GASKET | 1 | | | | | | | | |
| 74 | 2 | 158553-51630 | SPRING, TIMER | 1 | | | | | | | | |
| 76 | 2 | 158553-51640 | ELEMENT | 1 | | | | | | | | |
| 77 | 2 | 158601-51650 | JOINT, OVER FLOW | 1 | | | | | | | | |
| 78 | 2 | 158553-51660 | O-RING, P14 | 1 | | | | | | | | |
| 79 | 2 | 158553-51680 | GASKET | 1 | | | | | | | | |
| 100 | 2 | 158601-51770 | PISTON | 1 | | | | | | | | |
| 101 | 2 | 158552-51781 | SPRING | 1 | | | | | | | | |
| 102 | 2 | 158601-51790 | PLUG | 1 | | | | | | | | |
| 104 | 2 | 158553-51930 | PLUG, M12 | 1 | | | | | | | | |
| 105 | 2 | 22190-120002 | WASHER, SEAL 12 | 1 | | | | | | | | |
| 106 | 2 | 22190-180002 | WASHER, SEAL 18 | 1 | | | | | | | | |
| 110 | 2 | 158552-52100 | PUMP ASSY, FUEL FEED | 1 | | | | | | | | |
| 111 | 3 | 158552-52500 | O-RING | 1 | | | | | | | | |
| 112 | 2 | 158552-52311 | O-RING | 1 | | | | | | | | |
| 113 | 2 | 158552-52400 | O-RING, 4E S42 | 1 | | | | | | | | |
| 114 | 2 | 22190-120002 | WASHER, SEAL 12 | 2 | | | | | | | | |
| 115 | 2 | 22190-120002 | WASHER, SEAL 12 | 2 | | | | | | | | |
| 116 | 2 | 22190-180002 | WASHER, SEAL 18 | 2 | | | | | | | | |
| 117 | 2 | 22217-180000 | WASHER, SPRING 18 | 1 | | | | | | | | |
| 118 | 2 | 22312-050140 | PIN, PARALLEL M5X14 | 2 | | | | | | | | |
| 119 | 2 | 22351-050010 | PIN, SPRING 5.0X10 | 2 | | | | | | | | |
| 120 | 2 | 23857-060000 | BOLT, JOINT 6 | 1 | | | | | | | | |
| 121 | 2 | 24311-000070 | O-RING, 1AP7.0 | 1 | | | | | | | | |
| 122 | 2 | 24356-190200 | O-RING, 4D19020 | 1 | | | | | | | | |
| 123 | 2 | 24356-240210 | O-RING, 4D24021 | 1 | | | | | | | | |

Remarks

(1)Governor(Fig.14) is incorporated in this Fuel Injection Pump(No.1).

N:Old $\frac{100}{100}$ New, Q:Old $\frac{100}{100}$ New, R:Old $\frac{100}{100}$ New, S:Old $\frac{100}{100}$ New, W:Add, Z:Discontinued, F:Interchangeable by set, K:Q'ty Change
 ++ CONTINUE ++
 Copyright (C) YANMAR CO., LTD. All Rights Reserved.

Fig.13. FUEL INJECTION PUMP



(A)=4TNV98T-SSZA
(B)=
(C)=

(D)=
(E)=
(F)=

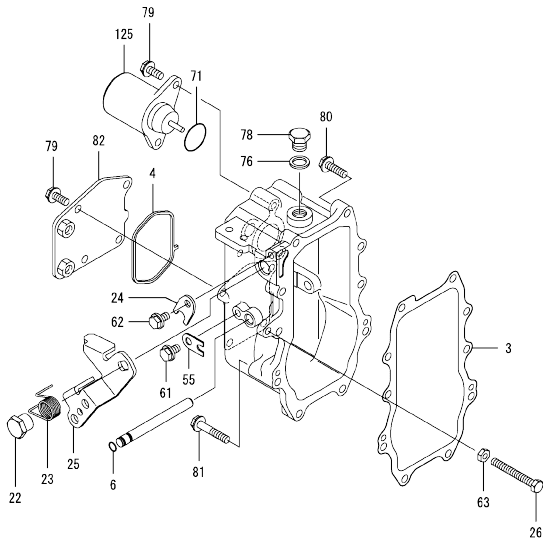
| No. | Lev. | Parts No. | Description | Q'ty | | | | | | I | R |
|-----|------|--------------|----------------------|------|-----|-----|-----|-----|-----|---|---|
| | | | | (A) | (B) | (C) | (D) | (E) | (F) | | |
| 124 | 2 | 26106-060102 | BOLT, M6X 10 PLATED | 1 | | | | | | | |
| 125 | 2 | 26106-060352 | BOLT, M6X 35 PLATED | 4 | | | | | | | |
| 126 | 2 | 26450-100452 | BOLT, M10X 45 | 4 | | | | | | | |
| 127 | 2 | 26776-180002 | NUT, LOCK M18 | 1 | | | | | | | |
| 130 | 2 | 158552-51670 | JOINT, OVER FLOW | 1 | | | | | | | |
| 132 | 2 | 129916-59020 | JOINT, PIPE 12 | 1 | | | | | | | |
| 134 | 1 | 129907-01950 | RETAINER | 1 | | | | | | | |
| 135 | 1 | 129907-01960 | RETAINER | 1 | | | | | | | |
| 136 | 1 | 26106-080162 | BOLT, M8X 16 PLATED | 2 | | | | | | | |
| 137 | 1 | 26106-080222 | BOLT, M8X 22 PLATED | 2 | | | | | | | |
| 138 | 1 | 26106-080222 | BOLT, M8X 22 PLATED | 1 | | | | | | | |
| 139 | 1 | 26106-100202 | BOLT, M10X 20 PLATED | 1 | | | | | | | |

Remarks

(1)Governor(Fig.14) is incorporated in this Fuel Injection Pump(No.1).

0CW10-M74200 ENGINE
 Fig.14. GOVERNOR

0CW10-M74200 Fig.14



(A)=4TNV98T-SSZA
 (B)=
 (C)=

(D)=
 (E)=
 (F)=

| No. | Lev. | Parts No. | Description | Q'ty | | | | | | I | R |
|-----|------|--------------|----------------------|------|-----|-----|-----|-----|-----|---|---|
| | | | | (A) | (B) | (C) | (D) | (E) | (F) | | |
| 3 | 2 | 158560-61050 | GASKET | 1 | | | | | | | |
| 4 | 2 | 158560-61071 | GASKET | 1 | | | | | | | |
| 6 | 2 | 129155-51280 | O-RING, S6 | 1 | | | | | | | |
| 22 | 2 | 129255-61410 | NUT, LOCK | 1 | | | | | | | |
| 23 | 2 | 119807-61420 | SPRING, RETURN | 1 | | | | | | | |
| 24 | 2 | 158560-61430 | RETAINER, SHAFT | 1 | | | | | | | |
| 25 | 2 | 158560-61442 | LEVER, REGULATOR | 1 | | | | | | | |
| 26 | 2 | 129155-61460 | BOLT, IDLE | 1 | | | | | | | |
| 55 | 2 | 119660-61901 | RETAINER, SHAFT | 1 | | | | | | | |
| 61 | 2 | 26106-060102 | BOLT, M6X 10 PLATED | 1 | | | | | | | |
| 62 | 2 | 26106-060102 | BOLT, M6X 10 PLATED | 1 | | | | | | | |
| 63 | 2 | 26756-060002 | NUT, LOCK M6 | 1 | | | | | | | |
| 71 | 2 | 158552-61900 | O-RING | 1 | | | | | | | |
| 76 | 2 | 22190-160002 | WASHER, SEAL 16 | 1 | | | | | | | |
| 78 | 2 | 23887-160002 | PLUG, 16 | 1 | | | | | | | |
| 79 | 2 | 26106-060142 | BOLT, M6X 14 PLATED | 6 | | | | | | | |
| 80 | 2 | 26106-060252 | BOLT, M6X 25 PLATED | 8 | | | | | | | |
| 81 | 2 | 26106-060402 | BOLT, M6X 40 PLATED | 2 | | | | | | | |
| 82 | 2 | 123945-61060 | COVER, GOVERNOR CASE | 1 | | | | | | | |
| 125 | 2 | 119653-77950 | SOLENOID, STOP | 1 | | | | | | | |

Remarks
 * This figure(Governor) is incorporated in the Fuel Injection Pump(Fig.13).

N:Old $\frac{100}{100}$ New, Q:Old $\frac{100}{100}$ New, R:Old $\frac{100}{100}$ New, S:Old $\frac{100}{100}$ New, W:Add, Z:Discontinued, F:Interchangeable by set, K:Q'ty Change
 Copyright (C) YANMAR CO., LTD. All Rights Reserved.

Fig.15. FUEL INJECTION VALVE

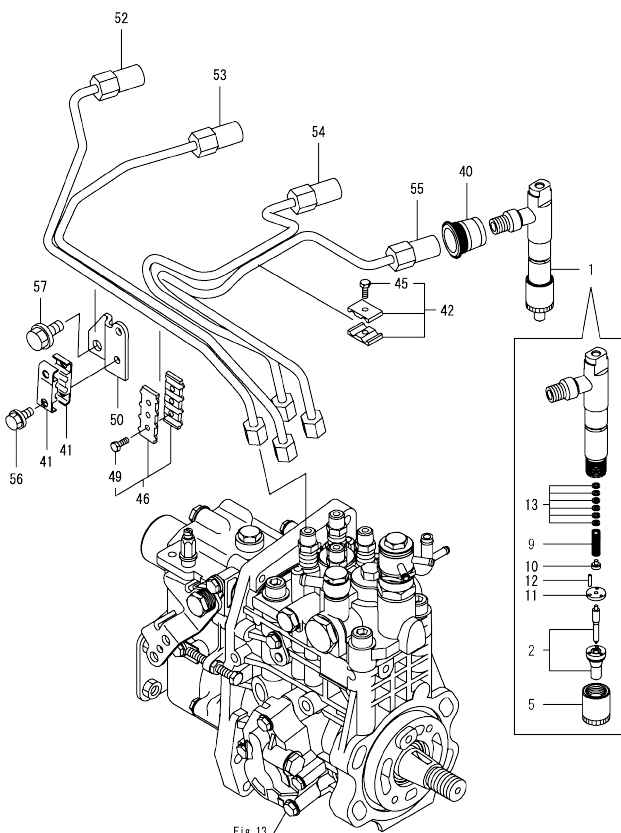


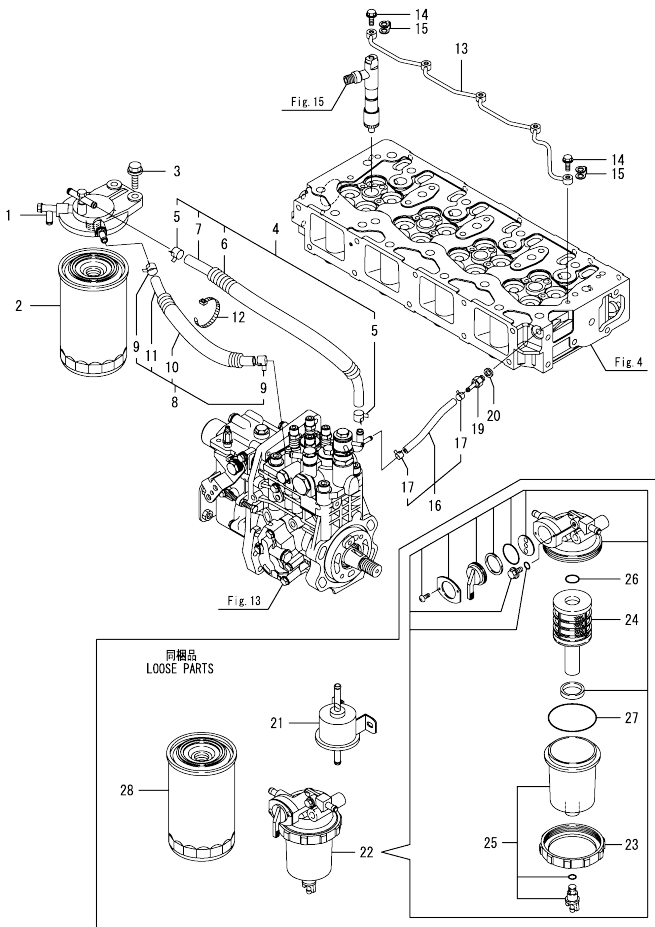
Fig.13

(A)=4TNV98T-SSZA
(B)=
(C)=

(D)=
(E)=
(F)=

| No. | Lev. | Parts No. | Description | Q'ty | | | | | |
|-----|------|--------------|----------------------|------|-----|-----|-----|-----|-----|
| | | | | (A) | (B) | (C) | (D) | (E) | (F) |
| 1 | 1 | 729933-53100 | VALVE ASSY,INJECTION | 4 | | | | | |
| 2 | 2 | 129933-53000 | VALVE ASSY,INJECTION | 4 | | | | | |
| 5 | 2 | 114250-53080 | NUT, NOZZLE D16.95 | 4 | | | | | |
| 9 | 2 | 114250-53120 | SPRING, NOZZLE | 4 | | | | | |
| 10 | 2 | 114250-53130 | SEAT, SPRING | 4 | | | | | |
| 11 | 2 | 114250-53140 | PLATE | 4 | | | | | |
| 12 | 2 | 114250-53210 | PIN | 8 | | | | | |
| 13 | 2 | 119803-53400 | SHIM SET | 4 | | | | | |
| 40 | 1 | 123907-11601 | SEAL | 4 | | | | | |
| 41 | 1 | 122780-59100 | RETAINER | 2 | | | | | |
| 42 | 1 | 119305-59120 | RETAINER, PIPE | 1 | | | | | |
| 45 | 2 | 129150-59131 | BOLT, M4X14 | 1 | | | | | |
| 46 | 1 | 129550-59120 | RETAINER, PIPE | 1 | | | | | |
| 49 | 2 | 129150-59131 | BOLT, M4X14 | 2 | | | | | |
| 50 | 1 | 129907-59710 | SUPPORT | 1 | | | | | |
| 52 | 1 | 129908-59810 | PIPE ASSY, INJECTION | 1 | | | | | |
| 53 | 1 | 129908-59820 | PIPE ASSY, INJECTION | 1 | | | | | |
| 54 | 1 | 129908-59830 | PIPE ASSY, INJECTION | 1 | | | | | |
| 55 | 1 | 129908-59840 | PIPE ASSY, INJECTION | 1 | | | | | |
| 56 | 1 | 26106-060162 | BOLT, M6X 16 PLATED | 2 | | | | | |
| 57 | 1 | 26106-080182 | BOLT, M8X 18 PLATED | 1 | | | | | |

Fig.16. FUEL PIPING

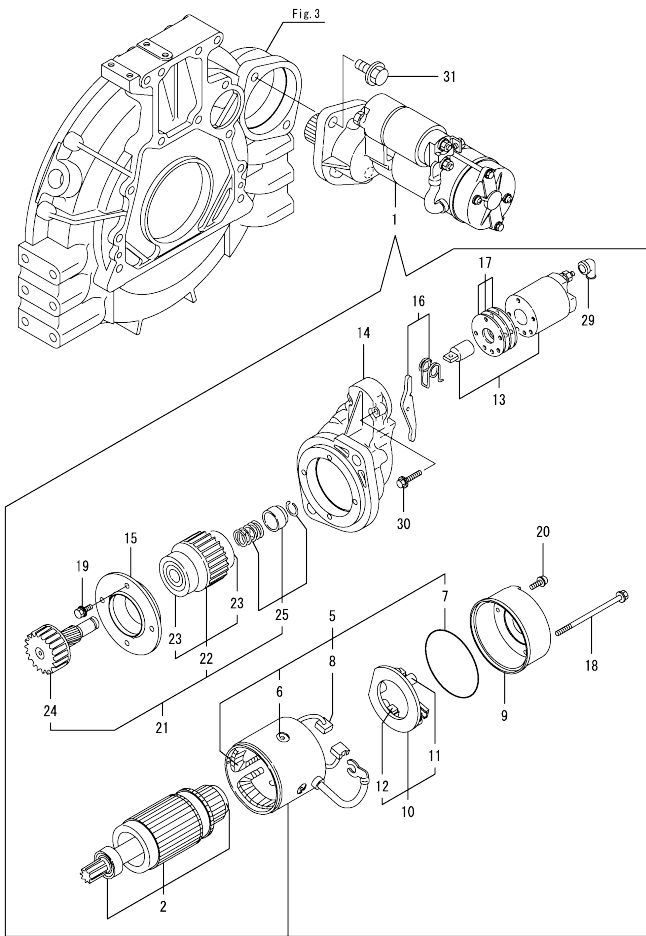


(A)=4TNV98T-SSZA
(B)=
(C)=

(D)=
(E)=
(F)=

| No. | Lev. | Parts No. | Description | Qty | | | | | | I | R | |
|-----|------|--------------|----------------------|-----|-----|-----|-----|-----|-----|---|---|--|
| | | | | (A) | (B) | (C) | (D) | (E) | (F) | | | |
| 1 | 1 | 129004-55612 | BRACKET, FILTER | 1 | | | | | | | | |
| 2 | 1 | 129907-55801 | FILTER, FUEL | 1 | | | | | | | | |
| 3 | 1 | 26106-080302 | BOLT, M8X 30 PLATED | 2 | | | | | | | | |
| 4 | 1 | 129457-59010 | PIPE ASSY, FUEL | 1 | | | | | | | | |
| 5 | 2 | 124766-59050 | CLIP, HOSE 12 | 2 | | | | | | | | |
| 6 | 2 | 129957-59120 | TUBE, CORRUGATED | 1 | | | | | | | | |
| 7 | 2 | 105025-59750 | PIPE, FUEL | 1 | | | | | | | | |
| 8 | 1 | 129981-59010 | PIPE ASSY, FUEL | 1 | | | | | | | | |
| 9 | 2 | 124766-59050 | CLIP, HOSE 12 | 2 | | | | | | | | |
| 10 | 2 | 129950-59221 | TUBE, CORRUGATED | 1 | | | | | | | | |
| 11 | 2 | 129980-59510 | PIPE, FUEL | 1 | | | | | | | | |
| 12 | 1 | 121750-59890 | BAND, 140 | 1 | | | | | | | | |
| 13 | 1 | 129907-59140 | PIPE ASSY, RETURN | 1 | | | | | | | | |
| 14 | 1 | 123907-59540 | BOLT, PIPE JOINT M6 | 5 | | | | | | | | |
| 15 | 1 | 123907-59550 | GASKET | 5 | | | | | | | | |
| 16 | 1 | 129486-59551 | PIPE ASSY, RETURN | 1 | | | | | | | | |
| 17 | 2 | 124722-59050 | CLIP, HOSE 9 | 2 | | | | | | | | |
| 19 | 1 | 123907-59560 | JOINT | 1 | | | | | | | | |
| 20 | 1 | 22190-080002 | WASHER, SEAL 6 | 1 | | | | | | | | |
| 21 | 1 | 119225-52102 | PUMP ASSY, FUEL FEED | 1 | | | | | | | | |
| 22 | 1 | 119802-55700 | SEPARATOR ASSY | 1 | | | | | | | | |
| 23 | 2 | 129100-55690 | RING, RETAINING | 1 | | | | | | | | |
| 24 | 2 | 119802-55710 | ELEMENT | 1 | | | | | | | | |
| 25 | 2 | 119802-55730 | CUP ASSY | 1 | | | | | | | | |
| 26 | 2 | 24311-000160 | O-RING, 1AP16.0 | 1 | | | | | | | | |
| 27 | 2 | 24321-000650 | O-RING, 1AG65.0 | 1 | | | | | | | | |
| 28 | 1 | 129907-55801 | FILTER, FUEL | 1 | | | | | | | | |

Fig.17. STARTING MOTOR



| No. | Lev. | Parts No. | Description | Q'ty | | | | | |
|-----|------|--------------|----------------------|------|-----|-----|-----|-----|-----|
| | | | | (A) | (B) | (C) | (D) | (E) | (F) |
| 1 | 1 | 129940-77011 | STARTER | 1 | | | | | |
| 2 | 2 | 129940-77100 | ARMATURE ASSY | 1 | | | | | |
| 5 | 2 | 129940-77130 | COIL ASSY, FIELD | 1 | | | | | |
| 6 | 3 | 129940-77140 | SCREW | 4 | | | | | |
| 7 | 3 | 129940-77150 | O-RING | 1 | | | | | |
| 8 | 3 | 129940-77160 | BRUSH | 2 | | | | | |
| 9 | 2 | 129940-77171 | COVER | 1 | | | | | |
| 10 | 2 | 129940-77181 | HOLDER ASSY, BRUSH | 1 | | | | | |
| 11 | 3 | 129940-77190 | SPRING | 1 | | | | | |
| 12 | 3 | 129940-77200 | BRUSH | 2 | | | | | |
| 13 | 2 | 129940-77210 | SWITCH ASSY | 1 | | | | | |
| 14 | 2 | 129940-77221 | CASE, GEAR | 1 | | | | | |
| 15 | 2 | 129940-77230 | RETAINER | 1 | | | | | |
| 16 | 2 | 129940-77240 | LEVER SET | 1 | | | | | |
| 17 | 2 | 129940-77250 | COVER ASSY, DUST | 1 | | | | | |
| 18 | 2 | 129940-77260 | BOLT, THROUGH | 2 | | | | | |
| 19 | 2 | 129940-77270 | BOLT | 4 | | | | | |
| 20 | 2 | 129940-77280 | SCREW | 2 | | | | | |
| 21 | 2 | 123900-77510 | PINION ASSY | 1 | | | | | |
| 22 | 3 | 123900-77520 | CLUTCH ASSY | 1 | | | | | |
| 23 | 4 | X2240610100 | BEARING, BALL | 2 | | | | | |
| 24 | 3 | 123900-77540 | SHAFT | 1 | | | | | |
| 25 | 3 | 119131-77550 | STOPPER KIT | 1 | | | | | |
| 29 | 2 | 121254-77810 | COVER, TERMINAL | 1 | | | | | |
| 30 | 2 | 114371-79070 | BOLT | 2 | | | | | |
| 31 | 1 | 26106-120252 | BOLT, M12X 25 PLATED | 2 | | | | | |

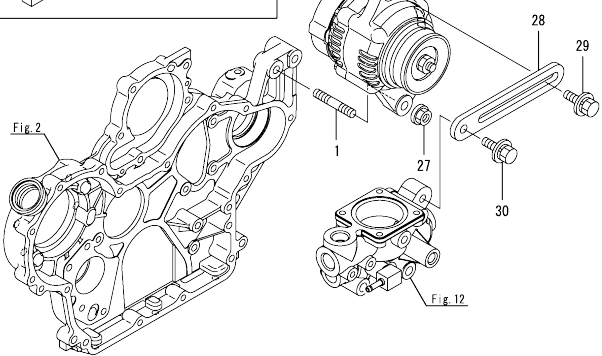
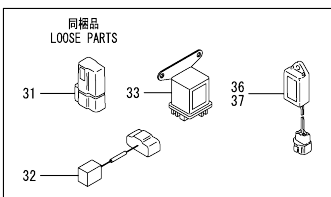
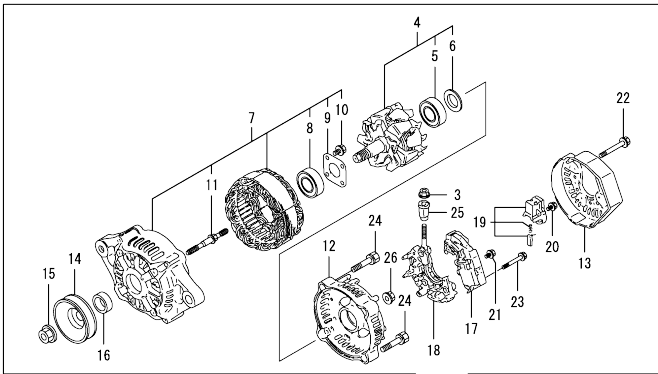
N:Old $\frac{New}{Old}$ New, Q:Old $\frac{New}{Old}$ New, R:Old $\frac{New}{Old}$ New, S:Old $\frac{New}{Old}$ New, W:Add, Z:Discontinued, F:Interchangeable by set, K:Q'ty Change
 Copyright (C) YANMAR CO., LTD. All Rights Reserved.

Fig.18. GENERATOR

(A)=4TNV98T-SSZA
(B)=
(C)=

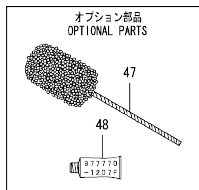
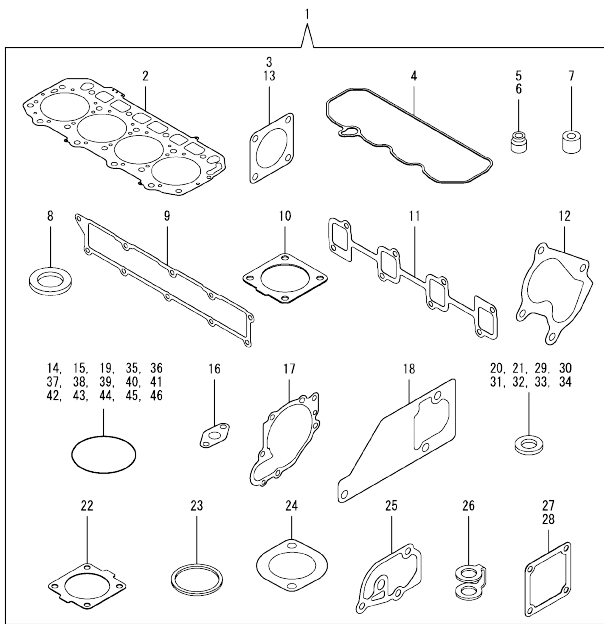
(D)=
(E)=
(F)=

| No. | Lev. | Parts No. | Description | Q'ty | | | | | | I | R |
|-----|------|--------------|---------------------|------|-----|-----|-----|-----|-----|---|---|
| | | | | (A) | (B) | (C) | (D) | (E) | (F) | | |
| 1 | 1 | 129795-01900 | STUD | 1 | | | | | | | |
| 2 | 1 | 119626-77210 | ALTERNATOR, 12V-55A | 1 | | | | | | | |
| 3 | 2 | X9490561001 | NUT | 1 | | | | | | | |
| 4 | 2 | 129052-77380 | ROTOR ASSY | 1 | | | | | | | |
| 5 | 3 | 123501-79240 | BEARING, BALL | 1 | | | | | | | |
| 6 | 3 | 119620-79250 | COVER | 1 | | | | | | | |
| 7 | 2 | 129052-77422 | FRAME ASSY | 1 | | | | | | | |
| 8 | 3 | 119620-79200 | BEARING, BALL | 1 | | | | | | | |
| 9 | 3 | 119620-79210 | PLATE, RETAINER | 1 | | | | | | | |
| 10 | 3 | 119620-79220 | SCREW | 4 | | | | | | | |
| 11 | 3 | 119620-79230 | STUD | 2 | | | | | | | |
| 12 | 2 | 128401-77440 | FRAME | 1 | | | | | | | |
| 13 | 2 | 119626-77450 | COVER | 1 | | | | | | | |
| 14 | 2 | 119620-77461 | PULLEY | 1 | | | | | | | |
| 15 | 2 | 119620-77471 | NUT | 1 | | | | | | | |
| 16 | 2 | 119620-77490 | COLLAR | 1 | | | | | | | |
| 17 | 2 | 119626-77710 | REGULATOR ASSY | 1 | | | | | | | |
| 18 | 2 | 129052-79260 | HOLDER | 1 | | | | | | | |
| 19 | 2 | 129052-79270 | HOLDER, BRUSH | 1 | | | | | | | |
| 20 | 2 | 119620-79290 | SCREW | 6 | | | | | | | |
| 21 | 2 | 119620-79300 | SCREW | 1 | | | | | | | |
| 22 | 2 | 119620-79310 | BOLT | 3 | | | | | | | |
| 23 | 2 | 119620-79320 | SCREW | 2 | | | | | | | |
| 24 | 2 | 119620-79330 | BOLT | 2 | | | | | | | |
| 25 | 2 | 119620-79340 | BUSH, INSULATION | 1 | | | | | | | |
| 26 | 2 | 119620-79350 | NUT | 2 | | | | | | | |
| 27 | 1 | 26306-100002 | NUT, M10 | 1 | | | | | | | |
| 28 | 1 | 129900-77330 | ADJUSTER | 1 | | | | | | | |
| 29 | 1 | 119810-77340 | BOLT, ADJUSTER | 1 | | | | | | | |
| 30 | 1 | 26014-080252 | BOLT, M8X 25 | 1 | | | | | | | |
| 31 | 1 | 119643-66900 | DIODE | 1 | | | | | | | |
| 32 | 1 | 129457-77511 | CONNECTOR | 1 | | | | | | | |
| 33 | 1 | 119650-77911 | RELAY ASSY, GLOW | 1 | | | | | | | |
| 36 | 1 | 128300-77920 | TIMER | 1 | | | | | | | |
| 37 | 1 | 129211-77920 | TIMER | 1 | | | | | | | |



N:Old $\frac{100}{100}$ New, Q:Old $\frac{100}{100}$ New, R:Old $\frac{100}{100}$ New, S:Old $\frac{100}{100}$ New, W:Add, Z:Discontinued, F:Interchangeable by set, K:Q'ty Change
Copyright (C) YANMAR CO., LTD. All Rights Reserved.

Fig.19. GASKET SET



Remarks
(1)Optional parts.

| No. | Lev. | Parts No. | Description | Q'ty | | | | | | I | R |
|-----|------|--------------|--------------------|------|-----|-----|-----|-----|-----|---|---|
| | | | | (A) | (B) | (C) | (D) | (E) | (F) | | |
| 1 | 1 | 129908-92600 | GASKET SET | 1 | | | | | | | 1 |
| 2 | 2 | 129907-01331 | GASKET, HEAD | 1 | | | | | | | |
| 3 | 2 | 129C26-01890 | GASKET, HO-P | 1 | | | | | | | |
| 4 | 2 | 129933-11310 | GASKET, BONNET | 1 | | | | | | | |
| 5 | 2 | 119803-11340 | SEAL, VALVE STEM | 8 | | | | | | | |
| 6 | 2 | 124160-11340 | SEAL, VALVE STEM | 8 | | | | | | | |
| 7 | 2 | 119802-11870 | PROTECTOR, NOZZLE | 4 | | | | | | | |
| 8 | 2 | 119625-11880 | SEAT, NOZZLE | 4 | | | | | | | |
| 9 | 2 | 129907-12110 | GASKET, MANIFOLD | 1 | | | | | | | |
| 10 | 2 | 129930-13201 | GASKET, SILENCER | 1 | | | | | | | |
| 11 | 2 | 129900-13251 | GASKET | 1 | | | | | | | |
| 12 | 2 | 123901-18080 | GASKET | 1 | | | | | | | |
| 13 | 2 | 129472-18090 | GASKET | 1 | | | | | | | |
| 14 | 2 | 129900-32030 | O-RING, P20 | 2 | | | | | | | |
| 15 | 2 | 129900-32040 | O-RING, P14 | 1 | | | | | | | |
| 16 | 2 | 129908-39690 | GASKET | 1 | | | | | | | |
| 17 | 2 | 129900-42020 | GASKET, WATER PUMP | 1 | | | | | | | |
| 18 | 2 | 129900-42061 | GASKET, WATER PUMP | 1 | | | | | | | |
| 19 | 2 | 129900-42140 | O-RING, P36 | 2 | | | | | | | |
| 20 | 2 | 124465-44950 | GASKET, 16 | 4 | | | | | | | |
| 21 | 2 | 129150-49360 | GASKET | 2 | | | | | | | |
| 22 | 2 | 121850-49540 | GASKET, THERMOSTAT | 1 | | | | | | | |
| 23 | 2 | 121850-49550 | GASKET, THERMOSTAT | 1 | | | | | | | |
| 24 | 2 | 129900-49560 | GASKET | 1 | | | | | | | |
| 25 | 2 | 129900-49870 | GASKET | 1 | | | | | | | |
| 26 | 2 | 123907-59550 | GASKET | 5 | | | | | | | |
| 27 | 2 | 119129-77020 | GASKET | 1 | | | | | | | |
| 28 | 2 | 121850-77021 | GASKET | 1 | | | | | | | |
| 29 | 2 | 22190-080002 | WASHER, SEAL 6 | 11 | | | | | | | |
| 30 | 2 | 22190-120002 | WASHER, SEAL 12 | 1 | | | | | | | |
| 31 | 2 | 22190-220002 | WASHER, SEAL 22 | 1 | | | | | | | |
| 32 | 2 | 22190-300002 | WASHER, SEAL 30 | 1 | | | | | | | |
| 33 | 2 | 23414-080000 | GASKET, 8X1.0 | 3 | | | | | | | |
| 34 | 2 | 23414-100000 | GASKET, 10X1.0 | 2 | | | | | | | |
| 35 | 2 | 24311-000070 | O-RING, 1AP7.0 | 1 | | | | | | | |
| 36 | 2 | 24311-000120 | O-RING, 1AP12.0 | 8 | | | | | | | |
| 37 | 2 | 24311-000150 | O-RING, 1AP15.0 | 1 | | | | | | | |
| 38 | 2 | 24311-000300 | O-RING, 1AP30.0 | 1 | | | | | | | |
| 39 | 2 | 24311-000320 | O-RING, 1AP32.0 | 3 | | | | | | | |
| 40 | 2 | 24311-240100 | O-RING, 1AP10A | 1 | | | | | | | |
| 41 | 2 | 24316-240100 | O-RING, 4DP10A | 1 | | | | | | | |
| 42 | 2 | 24321-000600 | O-RING, 1AG60.0 | 1 | | | | | | | |
| 43 | 2 | 24321-000700 | O-RING, 1AG70.0 | 1 | | | | | | | |
| 44 | 2 | 24321-000850 | O-RING, 1AG85.0 | 1 | | | | | | | |
| 45 | 2 | 24341-000530 | O-RING, 1AS53.0 | 1 | | | | | | | |
| 46 | 2 | 24351-030750 | O-RING, 1A3075 | 1 | | | | | | | |
| 47 | 1 | 129400-92450 | HONE | 1 | | | | | | | 1 |
| 48 | 1 | 977770-1207F | GASKET,LIQUID | 1 | | | | | | | 1 |

N:Old $\frac{100}{100}$ New, Q:Old $\frac{100}{100}$ New, R:Old $\frac{100}{100}$ New, S:Old $\frac{100}{100}$ New, W:Add, Z:Discontinued, F:Interchangeable by set, K:Q'ty Change
Copyright (C) YANMAR CO., LTD. All Rights Reserved.

Parts No. Index

| Parts No. | Fig. No. | Ref. No. | Parts No. | Fig. No. | Ref. No. | Parts No. | Fig. No. | Ref. No. | Parts No. | Fig. No. | Ref. No. |
|--------------|----------|----------|--------------|----------|----------|--------------|----------|----------|--------------|----------|----------|
| 105010-39140 | 11 | 7 | 119802-11870 | 19 | 7 | 123907-59550 | 16 | 15 | 129150-59131 | 15 | 49 |
| 105025-59750 | 16 | 7 | 119802-51590 | 13 | 64 | | 19 | 26 | 129155-51280 | 14 | 6 |
| 114250-39450 | 11 | 1 | 119802-51600 | 13 | 65 | 123907-59560 | 16 | 19 | 129155-61460 | 14 | 26 |
| 114250-53080 | 15 | 5 | 119802-51680 | 13 | 69 | 123910-49600 | 10 | 8 | 129211-77920 | 18 | 37 |
| 114250-53120 | 15 | 9 | 119802-51690 | 13 | 70 | 123910-49610 | 10 | 10 | 129255-61410 | 14 | 22 |
| 114250-53130 | 15 | 10 | 119802-55700 | 16 | 22 | 123912-33050 | 10 | 2 | 129400-92450 | 19 | 47 |
| 114250-53140 | 15 | 11 | 119802-55710 | 16 | 24 | 123912-33100 | 10 | 3 | 129410-03990 | 4 | 75 |
| 114250-53210 | 15 | 12 | 119802-55730 | 16 | 25 | 123945-61060 | 14 | 82 | 129418-18320 | 6 | 4 |
| 114371-79070 | 17 | 30 | 119803-11340 | 4 | 15 | 123951-18220 | 5 | 5 | 129457-59010 | 16 | 4 |
| 119000-39650 | 11 | 35 | | 19 | 5 | 124070-13300 | 11 | 23 | 129457-77511 | 18 | 32 |
| 119005-35151 | 10 | 26 | 119803-53400 | 15 | 13 | 124160-01751 | 2 | 23 | 129466-49300 | 10 | 7 |
| | | 27 | 119807-61420 | 14 | 23 | | 4 | 49 | 129472-18090 | 8 | 2 |
| 119005-77051 | 5 | 10 | 119810-77340 | 18 | 29 | 124160-11340 | 4 | 16 | | 19 | 13 |
| 119006-03090 | 4 | 63 | 120130-22301 | 9 | 23 | | 19 | 6 | 129486-59551 | 16 | 16 |
| 119100-11330 | 4 | 56 | 121250-44901 | 12 | 31 | 124160-11360 | 4 | 58 | 129509-51390 | 13 | 25 |
| 119117-44760 | 12 | 43 | 121252-39150 | 11 | 8 | 124223-39900 | 11 | 4 | 129550-59120 | 15 | 46 |
| 119129-77020 | 5 | 8 | 121254-77810 | 17 | 29 | 124240-01871 | 2 | 25 | 129795-01900 | 18 | 1 |
| | 19 | 27 | 121450-42450 | 12 | 30 | 124411-01780 | 3 | 7 | 129900-01200 | 1 | 27 |
| 119131-77550 | 17 | 25 | 121520-34810 | 10 | 15 | 124465-44950 | 12 | 32 | 129900-01250 | 1 | 4 |
| 119225-52102 | 16 | 21 | 121750-59890 | 10 | 11 | | | 33 | 129900-01620 | 3 | 2 |
| 119305-59120 | 15 | 42 | | 16 | 12 | | 19 | 20 | 129900-01850 | 2 | 28 |
| 119593-11301 | 4 | 29 | 121850-21130 | 9 | 11 | 124722-59050 | 12 | 37 | 129900-01870 | 2 | 29 |
| 119620-01750 | 3 | 4 | 121850-21290 | 9 | 4 | | | 40 | 129900-02020 | 1 | 6 |
| 119620-11180 | 4 | 14 | 121850-21920 | 9 | 5 | | 16 | 17 | 129900-02341 | 1 | 33 |
| 119620-77461 | 18 | 14 | 121850-49540 | 12 | 18 | 124766-59050 | 16 | 5 | 129900-02410 | 1 | 9 |
| 119620-77471 | 18 | 15 | | 19 | 22 | | | 9 | 129900-02931 | 1 | 24 |
| 119620-77490 | 18 | 16 | 121850-49550 | 12 | 19 | 128300-77920 | 18 | 36 | 129900-02941 | 1 | 36 |
| 119620-79200 | 18 | 8 | | 19 | 23 | 128401-77440 | 18 | 12 | 129900-13251 | 6 | 2 |
| 119620-79210 | 18 | 9 | 121850-49811 | 12 | 21 | 129004-55612 | 16 | 1 | | 19 | 11 |
| 119620-79220 | 18 | 10 | 121850-77021 | 5 | 9 | 129005-59830 | 11 | 16 | 129900-14100 | 7 | 6 |
| 119620-79230 | 18 | 11 | | 19 | 28 | 129006-44480 | 10 | 5 | 129900-21200 | 9 | 3 |
| 119620-79250 | 18 | 6 | 122780-59100 | 15 | 41 | 129008-51920 | 13 | 12 | 129900-21600 | 9 | 14 |
| 119620-79290 | 18 | 20 | 123501-79240 | 18 | 5 | 129052-77380 | 18 | 4 | 129900-23001 | 9 | 25 |
| 119620-79300 | 18 | 21 | 123900-13630 | 6 | 3 | 129052-77422 | 18 | 7 | 129900-23200 | 9 | 28 |
| 119620-79310 | 18 | 22 | 123900-25060 | 7 | 9 | 129052-79260 | 18 | 18 | 129900-23601 | 9 | 29 |
| 119620-79320 | 18 | 23 | 123900-77510 | 17 | 21 | 129052-79270 | 18 | 19 | 129900-23611 | 9 | 32 |
| 119620-79330 | 18 | 24 | 123900-77520 | 17 | 22 | 129100-01580 | 2 | 4 | 129900-23911 | 9 | 31 |
| 119620-79340 | 18 | 25 | 123900-77540 | 17 | 24 | | 3 | 1 | 129900-25100 | 7 | 10 |
| 119620-79350 | 18 | 26 | 123901-03240 | 4 | 67 | 129100-55690 | 16 | 23 | 129900-32030 | 2 | 10 |
| 119625-11880 | 4 | 25 | 123901-03280 | 4 | 74 | 129150-02450 | 7 | 4 | | 10 | 18 |
| | 19 | 8 | 123901-18080 | 6 | 5 | 129150-03100 | 4 | 65 | | 19 | 14 |
| | | | | 19 | 12 | 129150-11230 | 4 | 37 | 129900-32040 | 2 | 11 |
| 119626-77210 | 18 | 2 | | 11 | 26 | | | 41 | | 19 | 15 |
| 119626-77450 | 18 | 13 | 123901-39820 | 11 | 26 | 129150-11750 | 4 | 19 | 129900-42020 | 12 | 11 |
| 119626-77710 | 18 | 17 | 123907-11280 | 4 | 34 | | | 38 | | 19 | 17 |
| 119640-01640 | 3 | 9 | 123907-11550 | 4 | 1 | | | 42 | 129900-42061 | 19 | 18 |
| 119643-66900 | 18 | 31 | 123907-11601 | 15 | 40 | | | | 129900-42140 | 19 | 19 |
| 119650-77911 | 18 | 33 | 123907-11820 | 4 | 21 | 129150-14200 | 7 | 1 | 129900-42462 | 12 | 41 |
| 119653-77950 | 14 | 125 | 123907-11830 | 4 | 20 | 129150-25920 | 7 | 16 | 129900-49560 | 19 | 24 |
| 119660-61901 | 14 | 55 | 123907-39500 | 11 | 14 | 129150-49360 | 19 | 21 | 129900-49870 | 12 | 26 |
| 119802-11870 | 4 | 24 | 123907-59540 | 16 | 14 | 129150-59131 | 15 | 45 | | | |

Parts No. Index

| Parts No. | Fig. No. | Ref. No. | Parts No. | Fig. No. | Ref. No. | Parts No. | Fig. No. | Ref. No. | Parts No. | Fig. No. | Ref. No. |
|--------------|----------|----------|--------------|----------|----------|--------------|----------|----------|--------------|----------|----------|
| 129900-49870 | 19 | 25 | 129908-03240 | 4 | 68 | 129940-77230 | 17 | 15 | 158601-51790 | 13 | 102 |
| 129900-77330 | 18 | 28 | 129908-03250 | 4 | 69 | 129940-77240 | 17 | 16 | 171031-11741 | 2 | 31 |
| 129906-34851 | 10 | 16 | 129908-11700 | 4 | 2 | 129940-77250 | 17 | 17 | 171051-01921 | 1 | 5 |
| 129906-51580 | 13 | 62 | 129908-13100 | 6 | 1 | 129940-77260 | 17 | 18 | 171056-49120 | 10 | 14 |
| 129907-01190 | 1 | 29 | 129908-14581 | 7 | 3 | 129940-77270 | 17 | 19 | 22190-080002 | 11 | 9 |
| 129907-01331 | 1 | 28 | 129908-18010 | 8 | 1 | 129940-77280 | 17 | 20 | | | 17 |
| | 19 | 2 | 129908-18350 | 5 | 7 | 129950-59221 | 16 | 10 | | | 19 |
| 129907-01950 | 13 | 134 | 129908-21000 | 9 | 1 | 129951-01740 | 2 | 5 | | | 21 |
| 129907-01960 | 13 | 135 | 129908-22080 | 9 | 15 | 129953-25300 | 7 | 14 | | 16 | 20 |
| 129907-03011 | 4 | 51 | 129908-32060 | 2 | 8 | 129953-35000 | 10 | 19 | | 19 | 29 |
| 129907-03061 | 4 | 52 | 129908-33010 | 10 | 1 | 129953-44710 | 12 | 42 | 22190-120002 | 13 | 105 |
| 129907-03070 | 4 | 53 | 129908-33101 | 10 | 4 | 129957-59120 | 16 | 6 | | | 114 |
| 129907-07900 | 4 | 61 | 129908-39070 | 11 | 2 | 129960-03990 | 4 | 76 | | | 115 |
| 129907-11100 | 4 | 11 | 129908-39410 | 11 | 29 | 129960-21640 | 9 | 8 | | 19 | 30 |
| 129907-11110 | 4 | 12 | 129908-39610 | 11 | 24 | 129980-59510 | 16 | 11 | 22190-160002 | 14 | 76 |
| 129907-11120 | 4 | 13 | 129908-39690 | 11 | 25 | 129981-59010 | 16 | 8 | 22190-180002 | 13 | 106 |
| 129907-11250 | 4 | 31 | | 19 | 16 | 129C26-01890 | 2 | 26 | | | 116 |
| 129907-11260 | 4 | 32 | 129908-49060 | 10 | 6 | | 19 | 3 | 22190-220002 | 3 | 11 |
| 129907-11270 | 4 | 33 | 129908-59810 | 15 | 52 | 144626-51090 | 13 | 13 | | 19 | 31 |
| 129907-11341 | 4 | 30 | 129908-59820 | 15 | 53 | 158552-51571 | 13 | 59 | 22190-300002 | 19 | 32 |
| 129907-11510 | 4 | 17 | 129908-59830 | 15 | 54 | 158552-51580 | 13 | 63 | 22217-180000 | 13 | 117 |
| 129907-11650 | 4 | 35 | 129908-59840 | 15 | 55 | 158552-51670 | 13 | 130 | 22252-000300 | 9 | 24 |
| 129907-11660 | 4 | 39 | 129908-92600 | 19 | 1 | 158552-51781 | 13 | 101 | 22312-050140 | 13 | 118 |
| 129907-11800 | 4 | 80 | 129916-01710 | 3 | 8 | 158552-52100 | 13 | 110 | 22351-030010 | 11 | 36 |
| 129907-11910 | 4 | 26 | 129916-01800 | 2 | 3 | 158552-52311 | 13 | 112 | 22351-050010 | 13 | 119 |
| 129907-11920 | 4 | 43 | 129916-21590 | 9 | 12 | 158552-52400 | 13 | 113 | 22351-060012 | 1 | 10 |
| 129907-11950 | 4 | 27 | 129916-21610 | 9 | 7 | 158552-52500 | 13 | 111 | 22512-070140 | 7 | 7 |
| 129907-12100 | 5 | 1 | 129916-21680 | 9 | 9 | 158552-61900 | 14 | 71 | | 9 | 6 |
| 129907-12110 | 5 | 2 | 129916-49530 | 12 | 17 | 158553-51551 | 13 | 56 | 22857-500100 | 4 | 57 |
| | 19 | 9 | 129916-59020 | 13 | 132 | 158553-51630 | 13 | 74 | 23000-022000 | 4 | 77 |
| 129907-14400 | 7 | 2 | 129928-51900 | 13 | 11 | 158553-51640 | 13 | 76 | 23000-025000 | 10 | 12 |
| 129907-22051 | 9 | 17 | 129930-13201 | 19 | 10 | 158553-51660 | 13 | 78 | | 11 | 27 |
| 129907-25900 | 7 | 15 | 129933-11310 | 4 | 55 | 158553-51670 | 13 | 68 | 23000-054000 | 5 | 6 |
| 129907-39061 | 11 | 12 | | 19 | 4 | 158553-51680 | 13 | 79 | 23414-080000 | 12 | 27 |
| 129907-42001 | 12 | 1 | 129933-11320 | 4 | 50 | 158553-51930 | 13 | 104 | | 19 | 33 |
| 129907-49610 | 12 | 34 | 129933-53000 | 15 | 2 | 158557-51570 | 13 | 60 | 23414-100000 | 11 | 10 |
| 129907-49620 | 12 | 38 | 129935-03260 | 4 | 71 | 158560-51600 | 13 | 73 | | 19 | 34 |
| 129907-49710 | 12 | 35 | 129935-03270 | 4 | 72 | 158560-61050 | 14 | 3 | 23857-030000 | 11 | 18 |
| 129907-49720 | 12 | 39 | 129940-77011 | 17 | 1 | 158560-61071 | 14 | 4 | 23857-060000 | 13 | 120 |
| 129907-49730 | 12 | 20 | 129940-77100 | 17 | 2 | 158560-61430 | 14 | 24 | 23875-030000 | 12 | 23 |
| 129907-49750 | 12 | 36 | 129940-77130 | 17 | 5 | 158560-61442 | 14 | 25 | 23876-020000 | 4 | 8 |
| 129907-49800 | 12 | 14 | 129940-77140 | 17 | 6 | 158563-51150 | 13 | 16 | 23876-030000 | 1 | 11 |
| 129907-51560 | 13 | 58 | 129940-77150 | 17 | 7 | 158563-51281 | 13 | 23 | | | 12 |
| 129907-55801 | 16 | 2 | 129940-77160 | 17 | 8 | | | 24 | | | 13 |
| | | 28 | 129940-77171 | 17 | 9 | 158563-51330 | 13 | 34 | | 4 | 9 |
| 129907-59140 | 16 | 13 | 129940-77181 | 17 | 10 | 158600-51270 | 13 | 22 | 23887-160002 | 14 | 78 |
| 129907-59710 | 15 | 50 | 129940-77190 | 17 | 11 | 158601-51550 | 13 | 57 | 24311-000070 | 2 | 12 |
| 129908-01500 | 2 | 7 | 129940-77200 | 17 | 12 | 158601-51570 | 13 | 61 | | 13 | 121 |
| 129908-03099 | 4 | 64 | 129940-77210 | 17 | 13 | 158601-51650 | 13 | 77 | | 19 | 35 |
| 129908-03230 | 4 | 66 | 129940-77221 | 17 | 14 | 158601-51770 | 13 | 100 | 24311-000120 | 4 | 28 |

Parts No. Index

| Parts No. | Fig. No. | Ref. No. |
|--------------|----------|----------|
| 24311-000120 | 4 | 59 |
| | 19 | 36 |
| 24311-000150 | 19 | 37 |
| 24311-000160 | 16 | 26 |
| 24311-000300 | 19 | 38 |
| 24311-000320 | 2 | 24 |
| | | 32 |
| | 4 | 60 |
| | 19 | 39 |
| 24311-240100 | 19 | 40 |
| 24316-240100 | 19 | 41 |
| 24321-000600 | 10 | 13 |
| | 19 | 42 |
| 24321-000650 | 16 | 27 |
| 24321-000700 | 19 | 43 |
| 24321-000850 | 19 | 44 |
| 24341-000530 | 9 | 10 |
| | 19 | 45 |
| 24351-030750 | 2 | 13 |
| | 19 | 46 |
| 24356-190200 | 13 | 71 |
| | | 122 |
| 24356-240210 | 13 | 123 |
| 24372-000150 | 13 | 72 |
| 25152-004100 | 12 | 44 |
| 26014-080252 | 18 | 30 |
| 26106-060102 | 13 | 124 |
| | 14 | 61 |
| | | 62 |
| 26106-060122 | 12 | 24 |
| 26106-060142 | 14 | 79 |
| 26106-060162 | 11 | 28 |
| | 15 | 56 |
| 26106-060202 | 12 | 25 |
| 26106-060252 | 14 | 80 |
| 26106-060302 | 12 | 12 |
| 26106-060352 | 13 | 125 |
| 26106-060402 | 14 | 81 |
| 26106-080122 | 3 | 12 |
| | 4 | 78 |
| | 10 | 24 |
| | 11 | 11 |
| | | 20 |
| | | 22 |
| | 12 | 28 |
| 26106-080142 | 4 | 79 |
| 26106-080162 | 2 | 14 |
| | | 27 |
| | | 30 |
| | 4 | 62 |

| Parts No. | Fig. No. | Ref. No. |
|--------------|----------|----------|
| 26106-080162 | 7 | 8 |
| | 10 | 25 |
| | 13 | 136 |
| 26106-080182 | 15 | 57 |
| 26106-080202 | 2 | 15 |
| | | 16 |
| 26106-080222 | 13 | 137 |
| | | 138 |
| 26106-080302 | 16 | 3 |
| 26106-080402 | 2 | 17 |
| | 4 | 45 |
| 26106-080452 | 2 | 18 |
| | | 19 |
| 26106-080552 | 5 | 3 |
| | 7 | 13 |
| | 12 | 13 |
| 26106-080602 | 4 | 46 |
| | | 47 |
| | 12 | 29 |
| 26106-080702 | 2 | 20 |
| | 5 | 11 |
| 26106-080752 | 2 | 21 |
| 26106-080802 | 12 | 45 |
| 26106-080852 | 5 | 4 |
| 26106-081202 | 5 | 12 |
| 26106-100202 | 13 | 139 |
| 26106-120252 | 17 | 31 |
| 26116-050102 | 4 | 70 |
| 26206-100352 | 3 | 5 |
| 26206-100702 | 3 | 6 |
| 26216-100302 | 2 | 9 |
| 26226-080222 | 4 | 44 |
| 26306-080002 | 4 | 48 |
| | 8 | 3 |
| 26306-100002 | 2 | 22 |
| | 18 | 27 |
| 26450-100452 | 13 | 126 |
| 26756-060002 | 14 | 63 |
| 26776-180002 | 13 | 127 |
| 27241-300000 | 1 | 14 |
| 27241-400000 | 4 | 10 |
| 27310-070001 | 4 | 22 |
| 729900-02801 | 1 | 30 |
| 729906-01550 | 2 | 1 |
| 729907-22950 | 9 | 36 |
| 729908-01560 | 1 | 1 |
| 729908-22900 | 9 | 34 |
| 729933-51330 | 13 | 1 |
| 729933-53100 | 15 | 1 |
| 977770-1207F | 19 | 48 |

| Parts No. | Fig. No. | Ref. No. |
|-------------|----------|----------|
| X2240610100 | 17 | 23 |
| X9490561001 | 18 | 3 |

| Parts No. | Fig. No. | Ref. No. |
|-----------|----------|----------|
|-----------|----------|----------|