

OCR10-M60100EN

PREFACE

- 1.This Parts Catalog carries all parts incorporated in YANMAR Model 4TNV98T-SBK engine manufactured since May, 2005.
- 2.Each illustration corresponds to the parts list on the following page.
- 3.When ordering parts,clearly write down the engine model and serial number,as well as the name and number of each part in your order sheet. This will help insure reliable delivery of the parts you have ordered.

Directions for the Parts Catalog.

1. This Parts Catalog shows both standard and optional parts.
2. Parts may change without prior notice.
3. The following is an example of the Parts Catalog format.

REF.	LEV.	PARTS NO.	DESCRIPTION	Q'TY						I	R
				(A)	(B)	(C)	(D)	(E)	(F)		
1	1	729595-51390	FUEL INJECTION PUMP	1	1	1	1	1			1
1-1	1	729595-51391	FUEL INJECTION PUMP	1	1	1	1	1		N	1
		(A=E00185) (B=E00200)									
3	2	26022-060162	SCREW M 6X 16	9	9	9	9	9			
3-1	2	26022-060162	SCREW M 6X 16	4	4	4	4	4		K	
		(A=E00156) (B=E00156) (C=E00156) (D=E00156) (E=E00156)									
4	2	129470-51040	CAMSHAFT	1	1	1	1	1			
5	2	122710-51050	BEARING, ROLLER	2	2	2	2	2			
6	2	129470-51060	RETAINER	1	1	1	1	1			

Remarks
(1) BOOST COMPEMSATOR TYPE. OPTIONAL PART, TO E00155,(4JH-DT, 4JH-DTZ

① Ref. No.

The Ref. No. listed may not be in accordance with the illustration Ref. No.

(Ex.) Illustration No. List Ref No.

1 1 (Before change) → 1-1 (After change)

For interchangeable symbols N, R and K, illustrations for new parts may be abbreviated.

② Lev. (Level)

Level indication

The numbers below indicate the level of relativity towards the main part.

1 ---- Main parts (Assembly parts)

2 ---- Sub component included in " 1 ".

3 ---- Sub component included in " 2 ".

Note) Parts that are not for sale are partially illustrated but not listed.

③ Interchangeability Symbol

When a part change takes place, one of the following interchangeability symbols is indicated beside the part.

Symbol	Interchangeability	Contents note
N	Old $\begin{matrix} \leftarrow \text{Yes} \\ \text{No} \rightarrow \end{matrix}$ New	New Part is interchangeable for Old Part but Old Part is not interchangeable for New Part.
Q	Old $\begin{matrix} \leftarrow \text{No} \\ \text{Yes} \rightarrow \end{matrix}$ New	New Part is not interchangeable for Old Part but Old Part is interchangeable for New Part.
R	Old $\begin{matrix} \leftarrow \text{Yes} \\ \text{Yes} \rightarrow \end{matrix}$ New	New/ Old Parts are both interchangeable.
S	Old $\begin{matrix} \leftarrow \text{No} \\ \text{No} \rightarrow \end{matrix}$ New	New/ Old Parts are both not interchangeable.
W		Part newly added.
Z		Part discontinued.
F		Not interchangeable by a single part but interchangeable together with related parts.
K		Changes only for used parts quantities.

④ Effective Machine No.

When a part changes, the effective Machine No. will be indicated in the (A)-(F) column.

Product Symbol	Product No.	Product Symbol	Product No.
C	Clutch No. Compressor No.	F	Machine No. (Agricultural Equip.)
D	Drive No.	M	Machine No.
E	Engine No.		

Note 1) A date may follow the symbol. (Ex.) 1996.01

Note 2) "XXXXX" and "ZZZZZ" are for parts that could not be predicted or for engine models that could not be identified.

Note 3) (A=E00185) is the E (Engine Serial Number) for the column (A) model (in this case 4JH-DT) after the parts design change.

⑤ Remarks

Figures or alphabets (symbols) are entered in the remarks column.

The comments (remarks) on parts that are indicated at the bottom of the illustration are the same symbols as those stated above.

Contents

OCR10-M60100

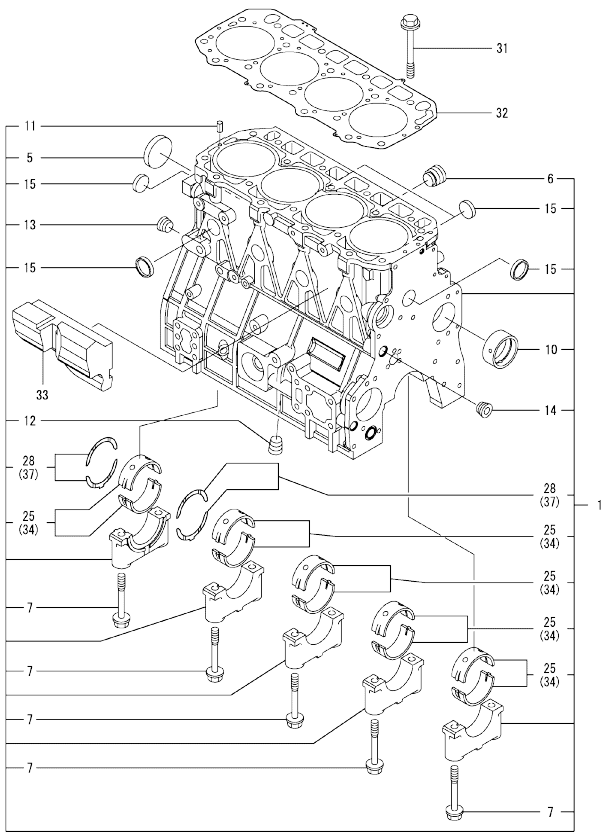
Fig. No.	Fig. Name	Fig. No.	Fig. Name
ENGINE SECTION			
1.	CYLINDER BLOCK		
2.	GEAR HOUSING		
3.	FLYWHEEL HOUSING & OIL SUMP		
4.	CYLINDER HEAD & BONNET		
5.	SUCTION MANIFOLD & AIR CLEANER		
6.	EXHAUST MANIFOLD & SILENCER		
7.	CAMSHAFT & DRIVING GEAR		
8.	TURBINE		
9.	CRANKSHAFT & PISTON		
10.	LUB.OIL SYSTEM		
11.	LUB.OIL LINE		
12.	COOLING WATER SYSTEM		
13.	FUEL INJECTION PUMP		
14.	GOVERNOR		
15.	FUEL INJECTION VALVE		
16.	FUEL LINE		
17.	STARTING MOTOR		
18.	GENERATOR		
19.	GASKET SET		

OCR10-M60100 ENGINE SECTION
 Fig.1. CYLINDER BLOCK

OCR10-M60100 Fig.1

(A)=4TNV98T-SBK
 (B)=
 (C)=

(D)=
 (E)=
 (F)=



No.	Lev.	Parts No.	Description	Q'ty						I	R
				(A)	(B)	(C)	(D)	(E)	(F)		
1	1	729908-01560	BLOCK ASSY, CYLINDER	1							
5	2	129900-01250	PLUG, DISH TYPE 55	1							
6	2	171051-01921	PLUG, NPTF1	1							
7	2	129900-02020	BOLT, METAL CAP	10							
10	2	129900-02410	BUSH, CAMSHAFT	1							
11	2	22351-060012	PIN, SPRING 6.0X12	2							
12	2	23876-030000	PLUG, R03	1							
13	2	23876-030000	PLUG, R03	1							
14	2	23876-030000	PLUG, R03	1							
15	2	27241-300000	PLUG 30	8							
25	2	729900-02800	BEARING, MAIN	5							3
28	2	129900-02930	BEARING ASSY, THRUST	2							
31	1	129900-01200	BOLT, CYLINDER HEAD	18							
32	1	129907-01331	GASKET, HEAD	1							
33	1	129907-01190	SPACER	1							
34	1	129900-02340	BEARING ASSY, MAIN	5							1
37	1	129900-02940	BEARING, THRUST 0.25	2							2

Remarks
 (1) UNDER-SIZED(U.S=0.25)PART.
 (2) OVER-SIZED(O.S=0.25)PART.
 (3) REPAIR PART.

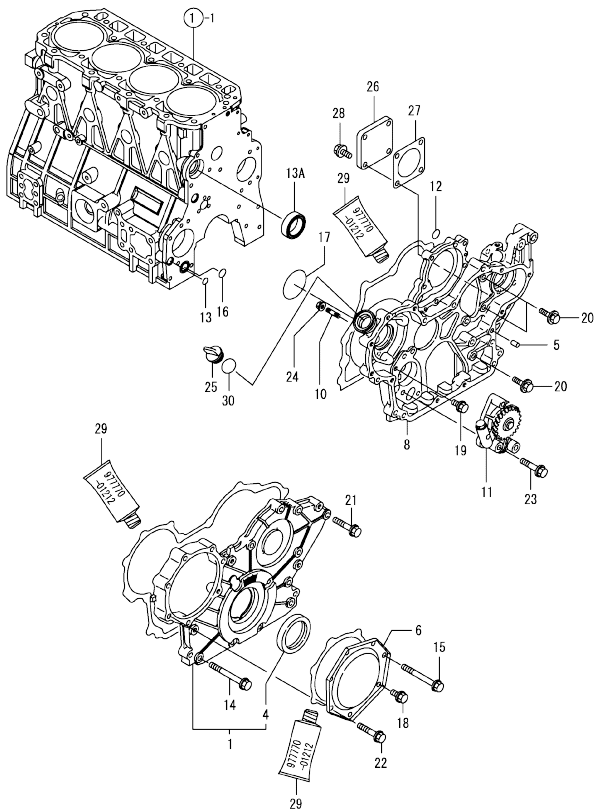
N:Old $\frac{100}{100}$ New, Q:Old $\frac{100}{100}$ New, R:Old $\frac{100}{100}$ New, S:Old $\frac{100}{100}$ New, W:Add, Z:Discontinued, F:Interchangeable by set, K:Q'ty Change
 Copyright (C) YANMAR GLOBAL CS CO., LTD. All Rights Reserved.

OCR10-M60100 ENGINE SECTION
 Fig.2. GEAR HOUSING

OCR10-M60100 Fig.2

(A)=4TNV98T-SBK
 (B)=
 (C)=

(D)=
 (E)=
 (F)=

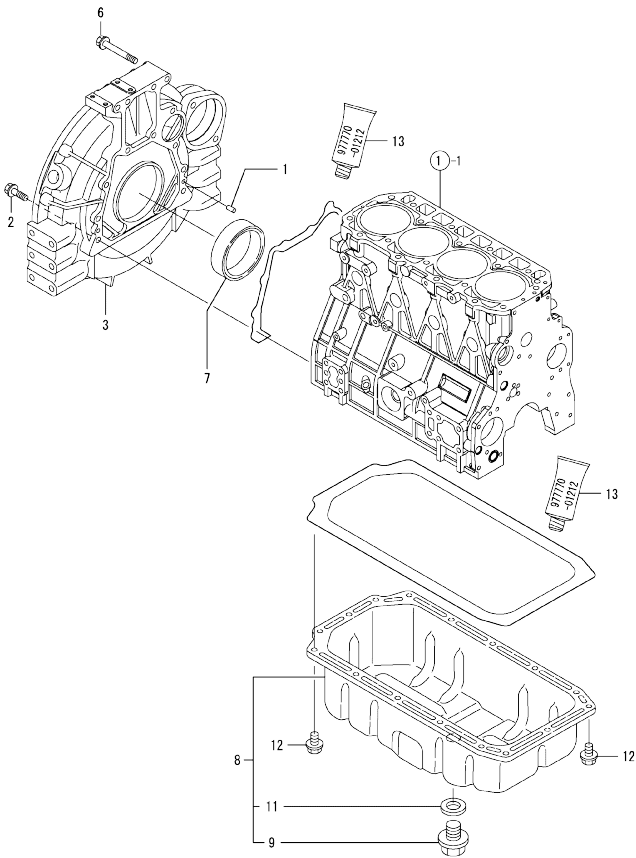


No.	Lev.	Parts No.	Description	Q'ty						I	R
				(A)	(B)	(C)	(D)	(E)	(F)		
1	1	729907-01540	COVER ASSY,GEAR CASE	1							
4	2	129900-01780	SEAL, OIL	1							
5	1	129100-01580	PIN, PARALLEL 8X16	4							
6	1	129900-01740	COVER	1							
8	1	129908-01500	CASE, GEAR	1							
10	1	26216-100302	STUD, M10X 30	4							
11	1	129908-32060	PUMP ASSY, OIL	1							
12	1	24311-000070	O-RING, 1AP7.0	1							
13	1	129900-32040	O-RING, P14	1							
13A	1	129927-42140	GASKET, PUMP OUTLET	1							W
		(A=EW6238)									
14	1	129001-91810	BOLT, M8X70	6							
15	1	129001-91810	BOLT, M8X70	1							
16	1	129900-32030	O-RING, P20	1							
17	1	24351-030750	O-RING, 1A3075	1							
18	1	26106-080162	BOLT, M8X 16 PLATED	1							
19	1	26106-080162	BOLT, M8X 16 PLATED	1							
20	1	26106-080202	BOLT, M8X 20 PLATED	3							
21	1	26106-080402	BOLT, M8X 40 PLATED	5							
22	1	26106-080402	BOLT, M8X 40 PLATED	5							
23	1	26106-080452	BOLT, M8X 45 PLATED	3							
24	1	26306-100002	NUT, M10	4							
25	1	124160-01751	CAP, FILLER	1							
26	1	124240-01871	COVER, PUMP	1							
27	1	124240-01883	GASKET	1							
28	1	26106-080162	BOLT, M8X 16 PLATED	4							
29	1	977770-01212	GASKET, LIQUID	1							1
30	1	24311-000320	O-RING, 1AP32.0	1							

Remarks
 (1) OPTIONAL PART.

N:Old $\frac{New}{Old}$ New, Q:Old $\frac{New}{Old}$ New, R:Old $\frac{New}{Old}$ New, S:Old $\frac{New}{Old}$ New, W:Add, Z:Discontinued, F:Interchangeable by set, K:Qty Change
 Copyright (C) YANMAR GLOBAL CS CO., LTD. All Rights Reserved.

Fig.3. FLYWHEEL HOUSING & OIL SUMP



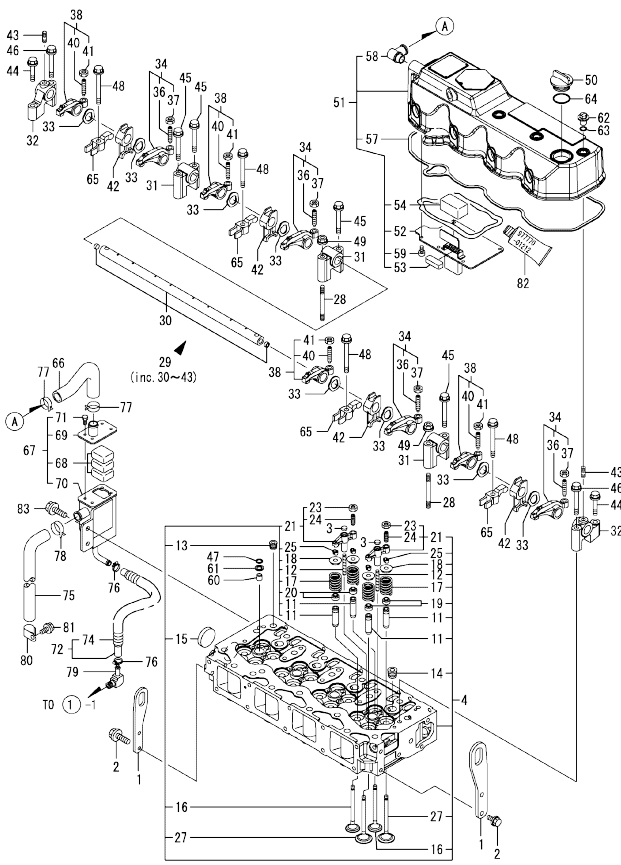
(A)=4TNV98T-SBK
(B)=
(C)=

(D)=
(E)=
(F)=

No.	Lev.	Parts No.	Description	Q'ty						I	R	
				(A)	(B)	(C)	(D)	(E)	(F)			
1	1	129100-01580	PIN, PARALLEL 8X16		2							
2	1	26206-100352	BOLT, M10X 35 PLATED		9							
3	1	129900-01620	HOUSING, FLYWHEEL		1							
6	1	26206-100702	BOLT, M10X 70 PLATED		4							
7	1	124411-01780	SEAL, HTC95X115X12		1							
8	1	129916-01710	OIL PAN ASSY		1							
9	2	119640-01640	PLUG, DRAIN M22		1							
11	2	22190-220002	WASHER, SEAL 22		1							
12	1	26106-080122	BOLT, M8X 12 PLATED		16							
13	1	977770-01212	GASKET, LIQUID		1							1

Remarks
(1) OPTIONAL PART.

Fig.4. CYLINDER HEAD & BONNET



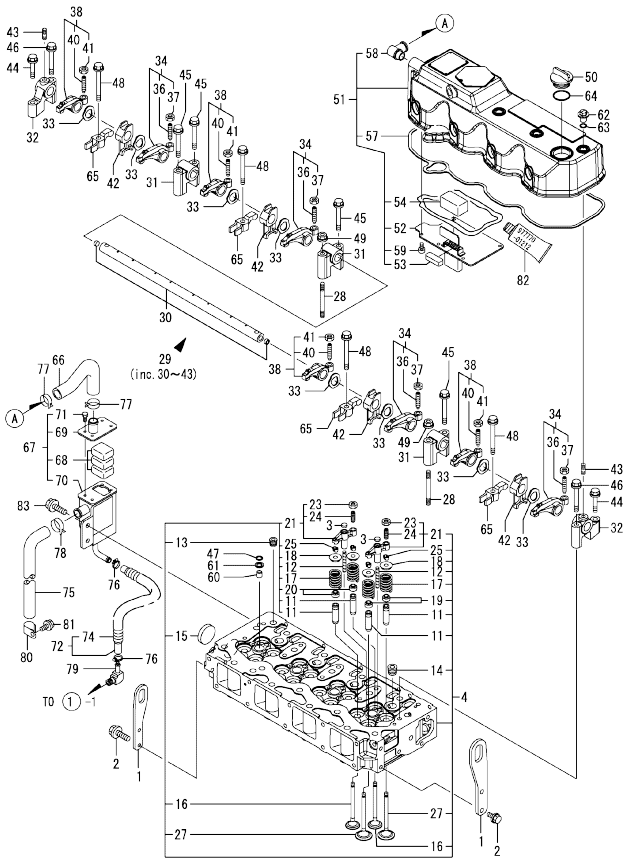
(A)=4TNV98T-SBK
(B)=
(C)=

(D)=
(E)=
(F)=

No.	Lev.	Parts No.	Description	Q'ty						I	R
				(A)	(B)	(C)	(D)	(E)	(F)		
1	1	129907-07900	LIFTER, ENGINE	2							
2	1	26106-080162	BOLT, M8X 16 PLATED	4							
3	1	123907-11550	SEAT, VALVE BRIDGE	8							
4	1	129908-11700	HEAD ASSY, CYLINDER	1							1
11	2	129907-11800	GUIDE, VALVE	16							
12	2	123907-11820	GUIDE, BRIDGE	8							
13	2	23876-020000	PLUG, R02	1							
14	2	23876-030000	PLUG, R03	4							
15	2	27241-400000	PLUG, 40	1							
16	2	129907-11110	VALVE, EXHAUST	8							
17	2	129907-11120	SPRING, VALVE	16							
18	2	119620-11180	RETAINER, SPRING	16							
19	2	124160-11340	SEAL, VALVE STEM	8							
20	2	124950-11340	SEAL, VALVE STEM	8							
21	2	129907-11510	BRIDGE ASSY, VALVE	8							
23	3	129150-11750	NUT, M8	8							
24	3	123907-11830	ADJUSTER	8							
25	2	27310-070001	COTTER, 7	16							
27	2	129907-11100	VALVE, SUCTION	8							
28	1	119593-11301	BOLT, STUD M8X80	2							
29	1	129907-11341	SHAFT ASSY, ROCKER	1							
30	2	129907-11250	SHAFT, ROCKER ARM	1							
31	2	129907-11260	SUPPORT, ROCKER ARM	3							
32	2	129907-11270	SUPPORT, ROCKER ARM	2							
33	2	123907-11280	WASHER	8							
34	2	129907-11650	ARM ASSY, ROCKER	4							
36	3	129150-11230	SCREW, VALVE ADJUST	4							
37	3	129150-11750	NUT, M8	4							
38	2	129907-11660	ARM ASSY, ROCKER	4							
40	3	129150-11230	SCREW, VALVE ADJUST	4							
41	3	129150-11750	NUT, M8	4							
42	2	129907-11920	RETAINER, NOZZLE	4							
43	2	26226-080222	STUD, M8X 22	2							
44	1	26106-080402	BOLT, M8X 40 PLATED	2							
45	1	26106-080602	BOLT, M8X 60 PLATED	4							
46	1	26106-080602	BOLT, M8X 60 PLATED	2							
47	1	24311-000120	O-RING, 1AP12.0	4							
48	1	129907-11950	BOLT, M8X75	4							
49	1	26306-080002	NUT, M8	2							
50	1	124160-01751	CAP, FILLER	1							
51	1	129908-11320	BONNET ASSY, HEAD	1							
52	2	129907-03011	PLATE, BAFFLE	1							
53	2	129907-03061	BAFFLE, BREATHER	1							
54	2	129907-03070	BAFFLE, BREATHER	1							
57	2	129907-11310	GASKET, BONNET	1							
58	2	119100-11330	ELBOW, BREATHER	1							
59	2	22857-500100	SCREW, 5X10	6							
60	1	119802-11870	PROTECTOR, NOZZLE	4							
61	1	119625-11880	SEAT, NOZZLE	4							
62	1	124160-11360	KNOB	4							
63	1	24311-000120	O-RING, 1AP12.0	4							

Remarks
(1) REPAIR PART.
(2) OPTIONAL PART.

Fig.4. CYLINDER HEAD & BONNET



(A)=4TNV98T-SBK
(B)=
(C)=

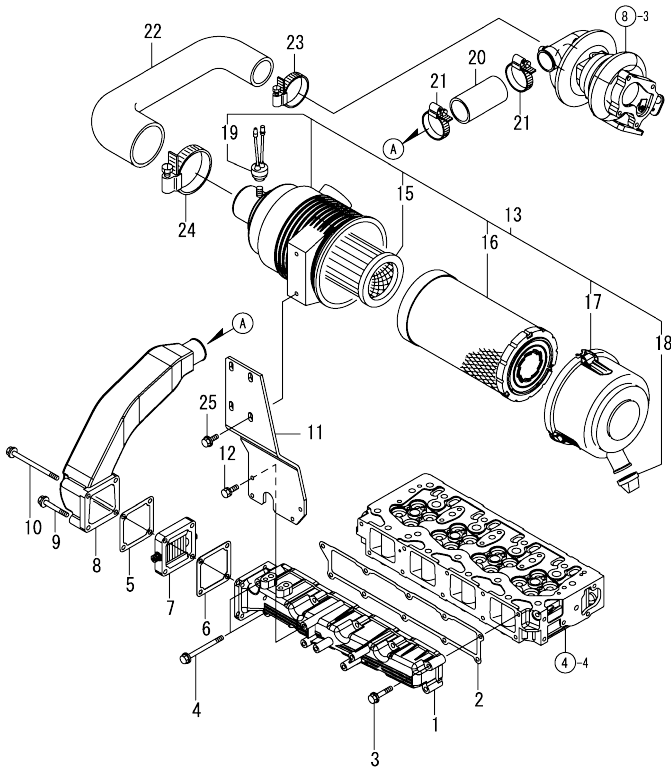
(D)=
(E)=
(F)=

No.	Lev.	Parts No.	Description	Q'ty						I	R
				(A)	(B)	(C)	(D)	(E)	(F)		
64	1	24311-000320	O-RING, 1P32.0	1							
65	1	129907-11910	RETAINER, NOZZLE	4							
66	1	129908-03099	HOSE, BREATHER	1							
67	1	129908-03209	BREATHER ASSY	1							
68	2	123901-03240	FILTER	3							
69	2	129908-03219	COVER, BREATHER	1							
70	2	129908-03229	BREATHER	1							
71	2	26116-050102	BOLT, M5X 10 PLATED	4							
72	1	129935-03260	HOSE ASSY RETURN	1							
74	2	129935-03270	TUBE, CORRUGATED	1							
75	1	119006-03090	HOSE, BREATHER	1							
76	1	23000-022000	CLAMP, 22	2							
77	1	129410-03990	CLAMP, HOSE 21.5	2							
78	1	129960-03990	CLAMP, HOSE 19.8	1							
79	1	123901-03280	ELBOW, PT3/8-10	1							
80	1	129150-03100	RETAINER, PIPE	1							
81	1	26106-080122	BOLT, M8X 12 PLATED	1							
82	1	97770-01212	GASKET, LIQUID	1							2
83	1	26106-080142	BOLT, M8X 14 PLATED	2							

Remarks

- (1) REPAIR PART.
- (2) OPTIONAL PART.

Fig.5. SUCTION MANIFOLD & AIR CLEANER

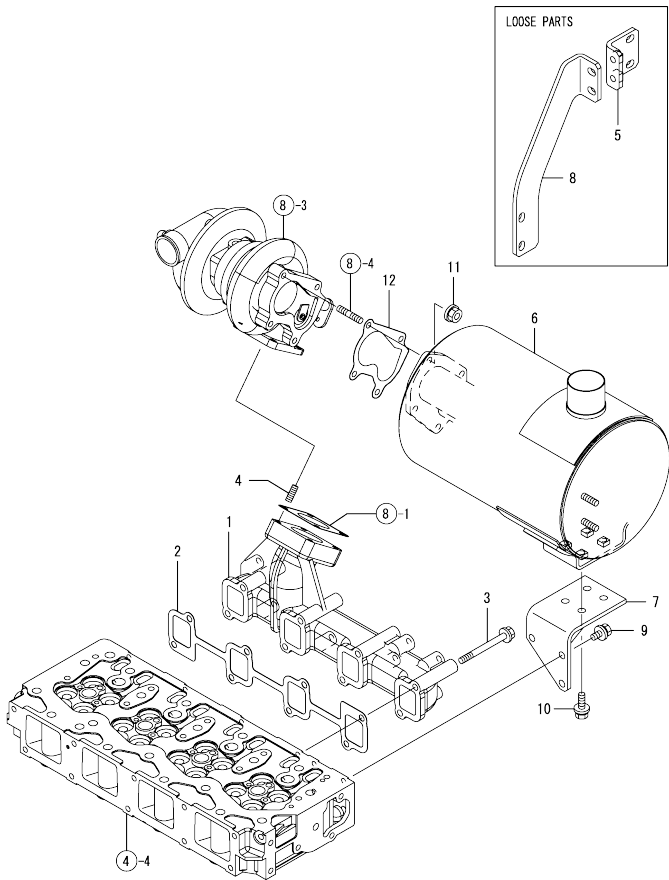


(A)=4TNV98T-SBK
(B)=
(C)=

(D)=
(E)=
(F)=

No.	Lev.	Parts No.	Description	Q'ty						I	R
				(A)	(B)	(C)	(D)	(E)	(F)		
1	1	129944-12110	MANIFOLD, AIR INTAKE	1							
2	1	129907-12110	GASKET, MANIFOLD	1							
3	1	26106-080452	BOLT, M8X 45 PLATED	8							
4	1	26106-080802	BOLT, M8X 80 PLATED	2							
5	1	119129-77020	GASKET	1							
6	1	121850-77021	GASKET, AIR HEATER	1							
7	1	119005-77050	HEATER, AIR	1							
8	1	129935-18350	DUCT, AIR	1							
9	1	26106-080702	BOLT, M8X 70 PLATED	2							
10	1	26106-080902	BOLT, M8X 90 PLATED	2							
11	1	129944-12620	BRACKET, CLEANER	1							
12	1	26013-080222	BOLT, SPRING M8X 22	4							
13	1	129935-12500	AIR CLEANER ASSY	1							
15	2	119160-12570	ELEMENT, INNER	1							
16	2	129935-12520	ELEMENT, OUTER	1							
17	2	119160-12530	COVER ASSY	1							
18	2	119160-12540	VALVE	1							
19	2	119140-12680	INDICATOR, CLEANER	1							
20	1	123951-18220	JOINT, RUBBER	1							
21	1	23000-054000	CLAMP, 54	2							
22	1	129935-12070	HOSE, AIR INTAKE	1							
23	1	23000-060000	CLAMP, 60	1							
24	1	23000-090000	CLAMP, 90	1							
25	1	26106-080202	BOLT, M8X 20 PLATED	2							

Fig.6. EXHAUST MANIFOLD & SILENCER

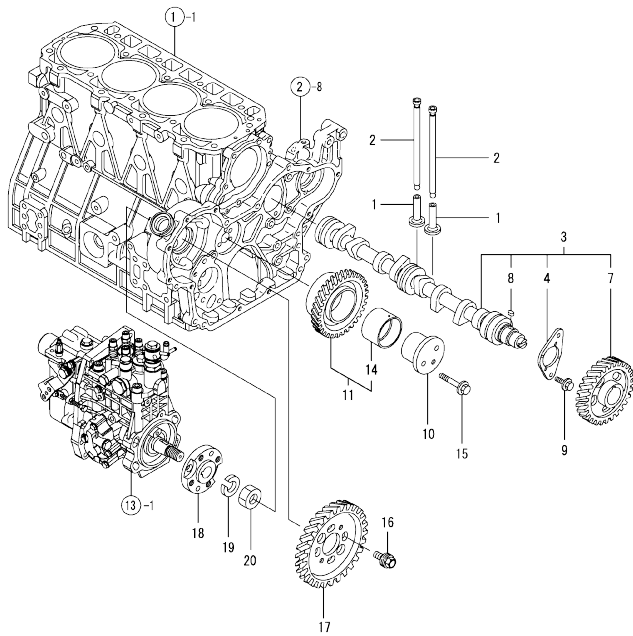


(A)=4TNV98T-SBK
(B)=
(C)=

(D)=
(E)=
(F)=

No.	Lev.	Parts No.	Description	Q'ty						I	R
				(A)	(B)	(C)	(D)	(E)	(F)		
1	1	129935-13100	MANIFOLD, EXHAUST	1							
2	1	129900-13251	GASKET, EXH.MANIFOLD	1							
3	1	123900-13630	BOLT, M8X80	8							
4	1	129418-18320	BOLT, STUD M8X20	4							
5	1	129935-13630	STAY, SILENCER	1							
6	1	129935-13500	SILENCER	1							
7	1	129935-13600	STAY, SILENCER	1							
8	1	129935-13620	STAY, SILENCER	1							
9	1	26106-080162	BOLT, M8X 16 PLATED	3							
10	1	26106-080202	BOLT, M8X 20 PLATED	4							
11	1	26306-080002	NUT, M8	4							
12	1	123901-18080	GASKET	1							

Fig.7. CAMSHAFT & DRIVING GEAR



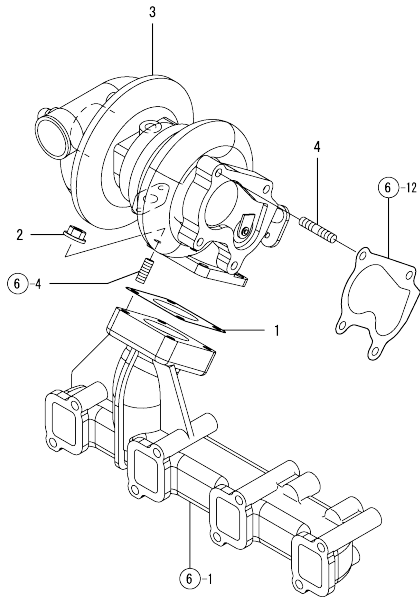
(A)=4TNV98T-SBK
(B)=
(C)=

(D)=
(E)=
(F)=

No.	Lev.	Parts No.	Description	Q'ty						I	R
				(A)	(B)	(C)	(D)	(E)	(F)		
1	1	129150-14200	TAPPET	8							
2	1	129907-14400	PUSH-ROD	8							
3	1	129908-14581	CAMSHAFT ASSY	1							
4	2	129150-02450	BEARING, THRUST	1							
7	2	129900-14100	GEAR, CAMSHAFT	1							
8	2	22512-070140	KEY, 7X 14	1							
9	1	26106-080162	BOLT, M8X 16 PLATED	2							
10	1	123900-25060	SHAFT, IDLE GEAR	1							
11	1	129900-25100	GEAR ASSY, IDLE	1							
14	2	129150-25920	BUSH, IDLE GEAR	1							1
15	1	26106-080552	BOLT, M8X 55 PLATED	3							
16	1	129953-25300	BOLT	4							
17	1	129907-25900	GEAR, PUMP	1							
18	1	158563-51150	FLANGE	1							
19	1	22217-180000	WASHER, SPRING 18	1							
20	1	26776-180002	NUT, LOCK M18	1							

Remarks
(1) REPAIR PART.

Fig.8. TURBINE

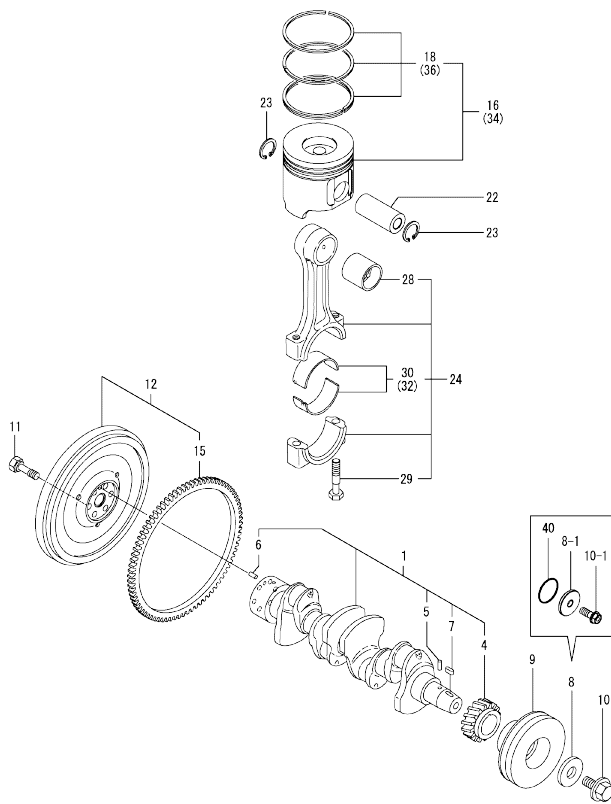


(A)=4TNV98T-SBK
(B)=
(C)=

(D)=
(E)=
(F)=

No.	Lev.	Parts No.	Description	Q'ty					
				(A)	(B)	(C)	(D)	(E)	(F)
1	1	129472-18090	GASKET	1					
2	1	26306-080002	NUT, M8	4					
3	1	129935-18010	TURBOCHARGER, RHF5	1					
4	1	119131-18320	BOLT, STUD M8X22	4					

Fig.9. CRANKSHAFT & PISTON



(A)=4TNV98T-SBK
(B)=
(C)=

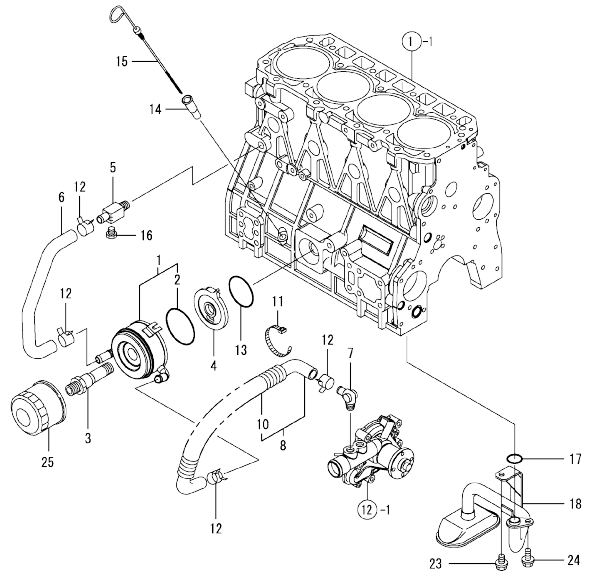
(D)=
(E)=
(F)=

No.	Lev.	Parts No.	Description	Q'ty						I	R
				(A)	(B)	(C)	(D)	(E)	(F)		
1	1	129908-21000	CRANKSHAFT ASSY	1							
4	2	129900-21200	GEAR, CRANKSHAFT	1							
5	2	121850-21290	PIN	1							
6	2	121850-21920	PIN, PARALLEL 10X22	1							
7	2	22512-070140	KEY, 7X 14	1							
8	1	129900-21640	WASHER	1							
8-1	1	129960-21940	WASHER, V-PULLEY	1							N
(A=2018.08)											
9	1	129907-21660	V-PULLEY, CRANK 130	1							
10	1	121850-21680	BOLT	1							
10-1	1	129916-21610	BOLT, V-PULLEY	1							N
(A=2018.08)											
11	1	121850-21130	BOLT, FLYWHEEL	6							
12	1	129916-21590	FLYWHEEL ASSY	1							
15	2	129900-21600	GEAR, RING	1							
16	1	129908-22080	PISTON ASSY	4							
18	2	129907-22050	RING SET, PISTON	4							
22	1	120130-22301	PIN, PISTON	4							
23	1	22252-000300	RING, 30	8							
24	1	129900-23001	ROD ASSY, CONNECTING	4							
28	2	129900-23911	BEARING, PISTON PIN	4							1
29	2	129900-23200	BOLT, CONNECTING ROD	8							
30	2	129900-23600	BEARING, CRANK PIN	4							
32	1	129900-23610	BEARING ASSY, 0.25US	4							2
34	1	729908-22900	PISTON ASSY, 0.25 OS	4							3
36	2	729907-22950	RING SET, 0.25 OS	4							3
40	1	129960-21930	GASKET, WASHER	1							W
(A=2018.08)											

Remarks
(1) REPAIR PART.
(2) UNDER-SIZE(U.S=0.25)PART.
(3) OVER-SIZE(O.S=0.25)PART.

OCR10-M60100 ENGINE SECTION
 Fig.10. LUB.OIL SYSTEM

OCR10-M60100 Fig.10



(A)=4TNV98T-SBK
 (B)=
 (C)=

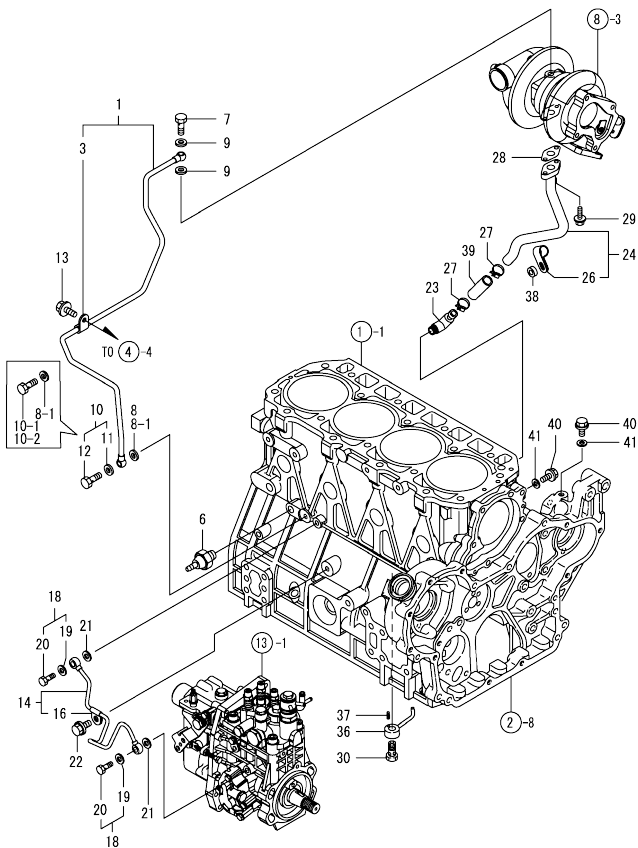
(D)=
 (E)=
 (F)=

No.	Lev.	Parts No.	Description	Q'ty						I	R
				(A)	(B)	(C)	(D)	(E)	(F)		
1	1	129908-33010	COOLER ASSY, OIL	1							
2	2	123912-33050	O-RING	1							
3	1	123912-33100	BOLT, COOLER	1							
4	1	129908-33101	BRACKET, OIL COOLER	1							
5	1	129006-44480	JOINT	1							
6	1	129908-49060	HOSE, WATER	1							
7	1	129466-49300	ELBOW, PT3/8	1							
8	1	123910-49600	HOSE ASSY WATER	1							
10	2	123910-49610	TUBE, CORRUGATED	1							
11	1	121750-59890	BAND, NYLON	1							
12	1	23000-025000	CLAMP, 25	4							
13	1	24321-000600	O-RING, 1AG60.0	1							
14	1	121520-34810	GUIDE, DIPSTICK	1							
15	1	129953-34830	DIPSTICK	1							
16	1	171056-49120	PLUG, DRAIN R1/4	1							
17	1	129900-32030	O-RING, P20	1							
18	1	129953-35000	PIPE ASSY, OIL INLET	1							
23	1	26106-080122	BOLT, M8X 12 PLATED	1							
24	1	26106-080162	BOLT, M8X 16 PLATED	1							
25	1	129150-35170	FILTER, LO	1							

Remarks
 (1) REPAIR PART.

N:Old $\frac{100}{100}$ New, Q:Old $\frac{100}{100}$ New, R:Old $\frac{100}{100}$ New, S:Old $\frac{100}{100}$ New, W:Add, Z:Discontinued, F:Interchangeable by set, K:Q'ty Change
 Copyright (C) YANMAR GLOBAL CS CO., LTD. All Rights Reserved.

Fig.11. LUB.OIL LINE

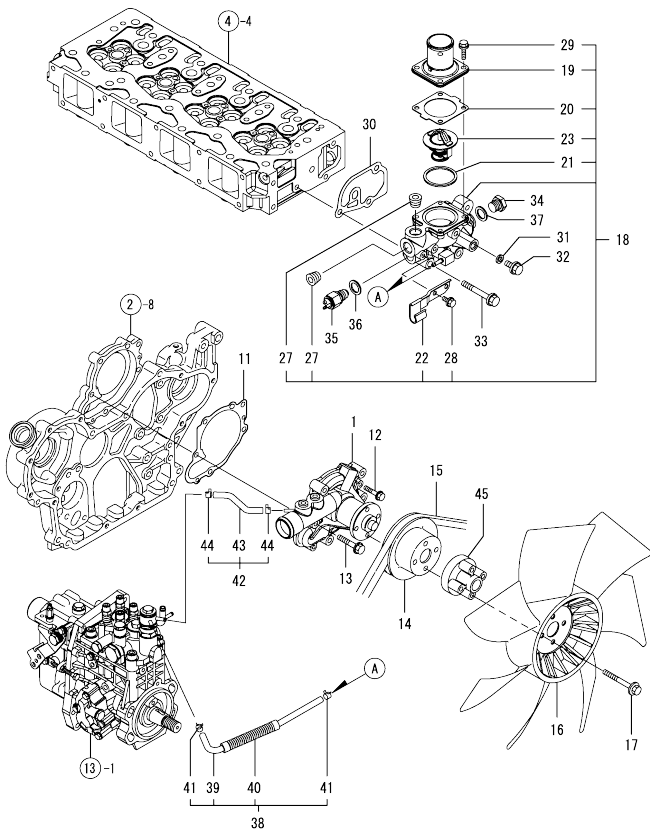


(A)=4TNV98T-SBK
(B)=
(C)=

(D)=
(E)=
(F)=

No.	Lev.	Parts No.	Description	Q'ty						I	R
				(A)	(B)	(C)	(D)	(E)	(F)		
1	1	129935-39040	PIPE ASSY, OIL	1							
3	2	124223-39900	RETAINER	1							
6	1	114250-39450	SWITCH, HYDRAULIC	1							
7	1	121252-39150	BOLT, JOINT M10X1.5	1							
8	1	22190-080002	WASHER, SEAL 6	1							
8-1	1	22190-080002	WASHER, SEAL 8	2							K
(A=EW6238)											
9	1	23414-100000	GASKET, 10X1.0	2							
10	1	129005-59830	BOLT ASSY, JOINT M8	1							
10-1	1	105010-39140	BOLT, PIPE JOINT M8	1							S
(A=EW6238)											
10-2	1	129198-59540	BOLT, PIPE JOINT M8	1							S
(A="2020.06)											
11	2	22190-080002	WASHER, SEAL 6	1							Z
(A=EW6238)											
12	2	23857-030000	BOLT, JOINT 3	1							Z
(A=EW6238)											
13	1	26106-080122	BOLT, M8X 12 PLATED	1							
14	1	129907-39061	PIPE ASSY, OIL	1							
16	2	123907-39500	RETAINER, PIPE	1							
18	1	129005-59830	BOLT ASSY, JOINT M8	2							
19	2	22190-080002	WASHER, SEAL 6	2							
20	2	23857-030000	BOLT, JOINT 3	2							
21	1	22190-080002	WASHER, SEAL 6	2							
22	1	26106-080122	BOLT, M8X 12 PLATED	1							
23	1	124070-13300	ELBOW, PT3/8	1							
24	1	129935-39610	PIPE, OIL	1							
26	2	123910-39850	RETAINER	1							
27	1	23000-025000	CLAMP, 25	2							
28	1	129908-39690	GASKET	1							
29	1	26106-060162	BOLT, M6X 16 PLATED	2							
30	1	129908-39410	VALVE ASSY, CHECK	4							
36	1	119000-39650	NOZZLE, COOLING	4							
37	1	22351-030010	PIN, SPRING 3.0X10	4							
38	1	106500-44810	SPACER, PULLEY	1							
39	1	123901-39820	HOSE, LO RETURN	1							
40	1	26106-080122	BOLT, M8X 12 PLATED	2							
41	1	22190-080002	WASHER, SEAL 6	2							

Fig.12. COOLING WATER SYSTEM

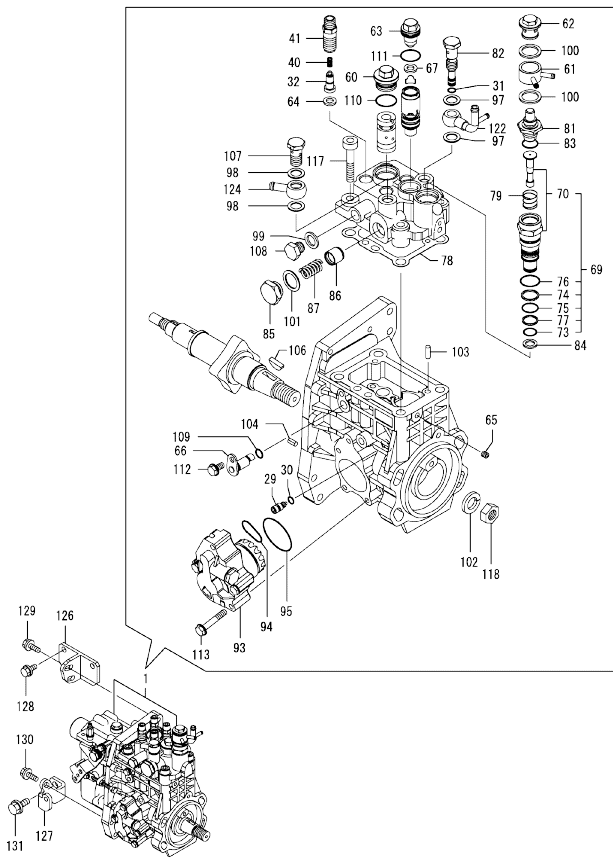


(A)=4TNV98T-SBK
(B)=
(C)=

(D)=
(E)=
(F)=

No.	Lev.	Parts No.	Description	Qty						I	R
				(A)	(B)	(C)	(D)	(E)	(F)		
1	1	129907-42000	PUMP ASSY, WATER	1							
11	1	129900-42020	GASKET, WATER PUMP	1							
12	1	26106-060302	BOLT, M6X 30 PLATED	2							
13	1	26106-080552	BOLT, M8X 55 PLATED	5							
14	1	129900-42450	V-PULLEY, C.W.PUMP	1							
15	1	25132-004100	V-BELT, A41	1							
16	1	129907-44740	FAN, COOLING D430X7	1							
17	1	26106-080552	BOLT, M8X 55 PLATED	4							
18	1	129907-49800	CASE ASSY, THERMOSTAT	1							
19	2	129916-49530	COVER, THERMOSTAT	1							
20	2	121850-49540	GASKET, THERMOSTAT	1							
21	2	121850-49550	GASKET, THERMOSTAT	1							
22	2	129907-49730	RETAINER, PIPE	1							
23	2	121850-49810	THERMOSTAT, 71C	1							
27	2	23875-030000	PLUG, R03	2							
28	2	26106-060122	BOLT, M6X 12 PLATED	1							
29	2	26106-060202	BOLT, M6X 20 PLATED	4							
30	1	129900-49870	GASKET, THERMOSTAT	1							
31	1	23414-080000	GASKET, 8X1.0	1							
32	1	26106-080122	BOLT, M8X 12 PLATED	1							
33	1	26106-080602	BOLT, M8X 60 PLATED	3							
34	1	121450-42450	PLUG, M16	1							
35	1	121250-44901	SWITCH, THERMO 110	1							
36	1	124465-44950	GASKET, 16	1							
37	1	124465-44950	GASKET, 16	1							
38	1	129907-49610	HOSE ASSY, WATER	1							
39	2	129907-49710	HOSE, WATER	1							
40	2	129907-49750	TUBE, CORRUGATED	1							
41	2	124722-59050	CLAMP, HOSE 9	2							
42	1	129907-49620	HOSE ASSY, WATER	1							
43	2	129907-49720	HOSE, WATER	1							
44	2	124722-59050	CLAMP, HOSE 9	2							
45	1	119141-44760	SPACER, FAN	1							

Fig.13. FUEL INJECTION PUMP



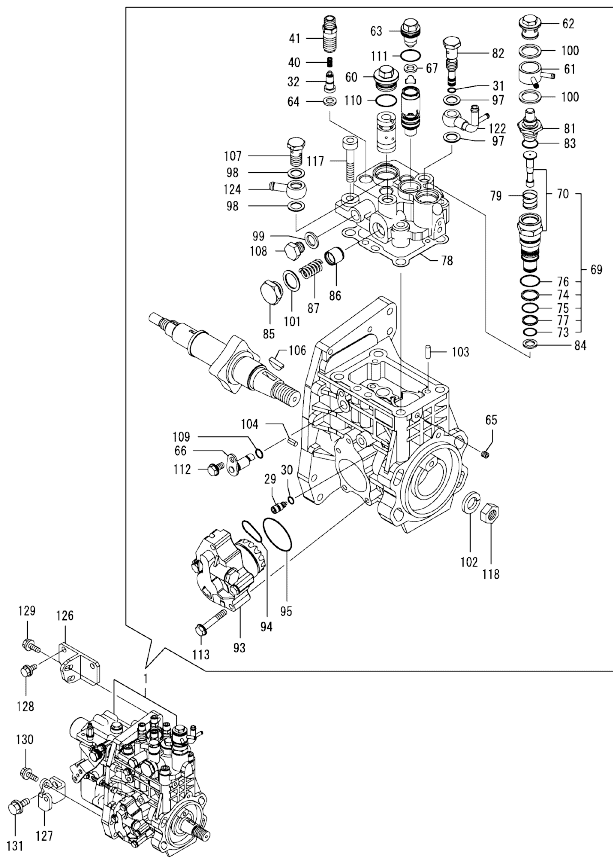
(A)=4TNV98T-SBK
(B)=
(C)=

(D)=
(E)=
(F)=

No.	Lev.	Parts No.	Description	Q'ty						I	R	
				(A)	(B)	(C)	(D)	(E)	(F)			
1	1	729933-51390	FIE ASSY	1							1	
29	2	158600-51270	STOPPER, TAPPET	1								
30	2	158563-51281	O-RING, 4D S6	1								
31	2	158563-51281	O-RING, 4D S6	1								
32	2	158560-51300	VALVE ASSY, DELIVERY	4								
40	2	158563-51330	SPRING, DELIVERY	4								
41	2	158560-51340	HOLDER, DELIVERY	4								
60	2	158601-51550	PLUG, M22	1								
61	2	158553-51551	JOINT, COOLING WATER	1								
62	2	158601-51570	PLUG	1								
63	2	129907-51560	PLUG, M16	1								
64	2	158552-51570	GASKET, PLUG	4								
65	2	158557-51570	PLUG, RACK	1								
66	2	158552-51580	LIFTER, LINK	1								
67	2	129906-51580	GASKET, PLUG	1								
69	2	119802-51590	TIMER ASSY	1								
70	3	119802-51600	TIMER ASSY	1								
73	3	158553-51670	O-RING	1								
74	3	119802-51680	RING, BACKUP	1								
75	3	119802-51690	O-RING	1								
76	3	24356-010200	O-RING, 4D1020	1								
77	3	24372-000150	RING, BACK UP T2P15	1								
78	2	158560-51600	GASKET	1								
79	2	158553-51630	SPRING, TIMER	1								
81	2	158553-51640	THERMOELEMENT	1								
82	2	158601-51650	JOINT, OVER FLOW	1								
83	2	158553-51660	O-RING, P14	1								
84	2	158553-51680	GASKET, TIMER	1								
85	2	158601-51790	PLUG	1								
86	2	158601-51770	PISTON, ACCUMULATOR	1								
87	2	158552-51780	SPRING, ACCUMULATOR	1								
93	2	158552-52100	PUMP ASSY, FUEL FEED	1								
94	2	158552-52310	O-RING	1								
95	2	158552-52400	O-RING, 4E S42	1								
97	2	22190-120002	WASHER, SEAL 12	2								
98	2	22190-120002	WASHER, SEAL 12	2								
99	2	22190-120002	WASHER, SEAL 12	1								
100	2	22190-180002	WASHER, SEAL 18	2								
101	2	22190-180002	WASHER, SEAL 18	1								
102	2	22217-180000	WASHER, SPRING 18	1								
103	2	22312-050140	PIN, PARALLEL M5X14	2								
104	2	22351-050010	PIN, SPRING 5.0X10	2								
106	2	144626-51090	FEATHER KEY, 5X19	1								
107	2	23857-060000	BOLT, JOINT 6	1								
108	2	23887-120002	PLUG, 12	1								
109	2	24311-000070	O-RING, 1AP7.0	1								
110	2	24356-010200	O-RING, 4D1020	1								
111	2	24356-020210	O-RING, 4D2021	1								
112	2	26106-060102	BOLT, M6X 10 PLATED	1								
113	2	26106-060352	BOLT, M6X 35 PLATED	4								
117	2	26450-100452	BOLT, M10X 45	4								

Remarks
(1) GOVERNOR ASSY(FIG.14) IS INCORPORATED IN THIS FOP.CMP (REF.NO.1).

Fig.13. FUEL INJECTION PUMP



(A)=4TNV98T-SBK
(B)=
(C)=

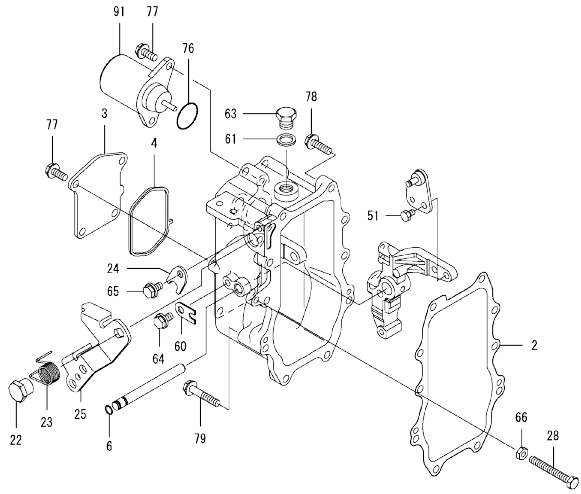
(D)=
(E)=
(F)=

No.	Lev.	Parts No.	Description	Q'ty						I	R
				(A)	(B)	(C)	(D)	(E)	(F)		
118	2	26776-180002	NUT, LOCK M18	1							
122	2	158552-51670	JOINT, OVER FLOW	1							
124	2	129916-59020	JOINT, PIPE 12	1							
126	1	129907-01950	RETAINER, PUMP	1							
127	1	129907-01960	RETAINER, PUMP	1							
128	1	26106-080162	BOLT, M8X 16 PLATED	2							
129	1	26106-080222	BOLT, M8X 22 PLATED	2							
130	1	26106-080222	BOLT, M8X 22 PLATED	1							
131	1	26106-100202	BOLT, M10X 20 PLATED	1							

Remarks
(1) GOVERNOR ASSY(FIG.14) IS
INCORPORATED IN THIS FOP.CMP
(REF.NO.1).

OCR10-M60100 ENGINE SECTION
 Fig.14. GOVERNOR

OCR10-M60100 Fig.14



(A)=4TNV98T-SBK
 (B)=
 (C)=

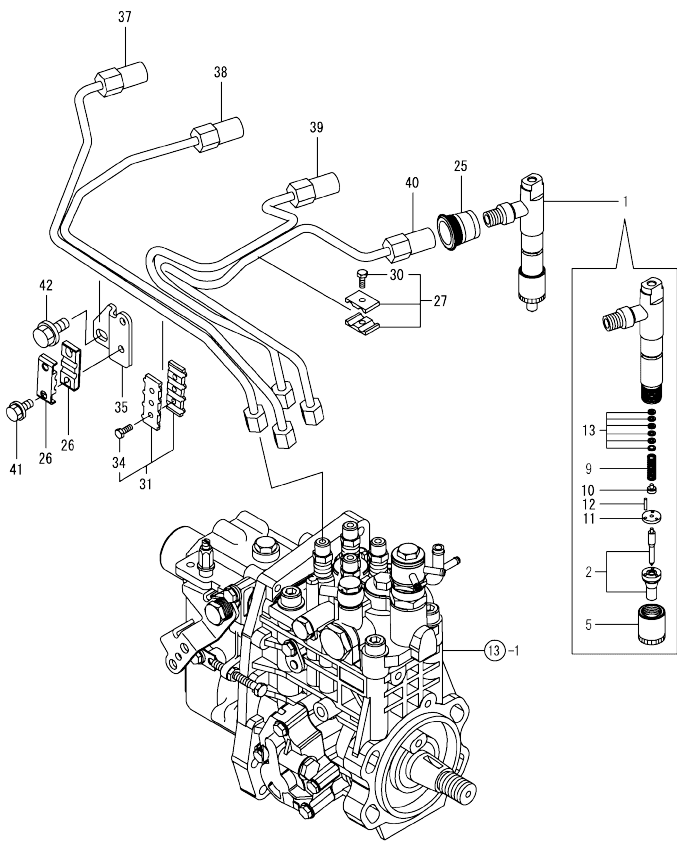
(D)=
 (E)=
 (F)=

No.	Lev.	Parts No.	Description	Q'ty						I	R
				(A)	(B)	(C)	(D)	(E)	(F)		
2	2	158560-61050	GASKET	1							
3	2	158560-61061	COVER, GOVERNOR CASE	1							
4	2	158560-61071	GASKET	1							
6	2	129155-51280	O-RING, S6	1							
22	2	129255-61410	NUT, M8	1							
23	2	119807-61420	SPRING, RETURN	1							
24	2	158560-61430	STOPPER, SHAFT	1							
25	2	158560-61441	LEVER, REGULATOR	1							
28	2	129155-61460	BOLT, LIMITING	1							
51	2	26116-060102	BOLT, M6X 10 PLATED	1							
60	2	119660-61901	STOPPER, SHAFT	1							
61	2	22190-160002	WASHER, SEAL 16	1							
63	2	23887-160002	PLUG, 16	1							
64	2	26106-060102	BOLT, M6X 10 PLATED	1							
65	2	26106-060102	BOLT, M6X 10 PLATED	1							
66	2	26756-060002	NUT, LOCK M6	1							
76	2	24341-000280	O-RING, 1AS28.0	1							
76-1	2	158552-61900	O-RING	1							N
(A=EXXXXXX)											
77	2	26106-060142	BOLT, M6X 14 PLATED	6							
78	2	26106-060252	BOLT, M6X 25 PLATED	8							
79	2	26106-060402	BOLT, M6X 40 PLATED	2							
91	2	119233-77932	SOLENOID, STOP	1							

Remarks
 * THIS FIGURE(GOVERNOR ASSY)IS
 INCORPORATED IN THE FUEL INJECTION
 PUMP ASSY(FIG.13).

N:Old $\frac{100}{100}$ New. Q:Old $\frac{100}{100}$ New. R:Old $\frac{100}{100}$ New. S:Old $\frac{100}{100}$ New. W:Add. Z:Discontinued. F:Interchangeable by set. K:Q'ty Change
 Copyright (C) YANMAR GLOBAL CS CO., LTD. All Rights Reserved.

Fig.15. FUEL INJECTION VALVE

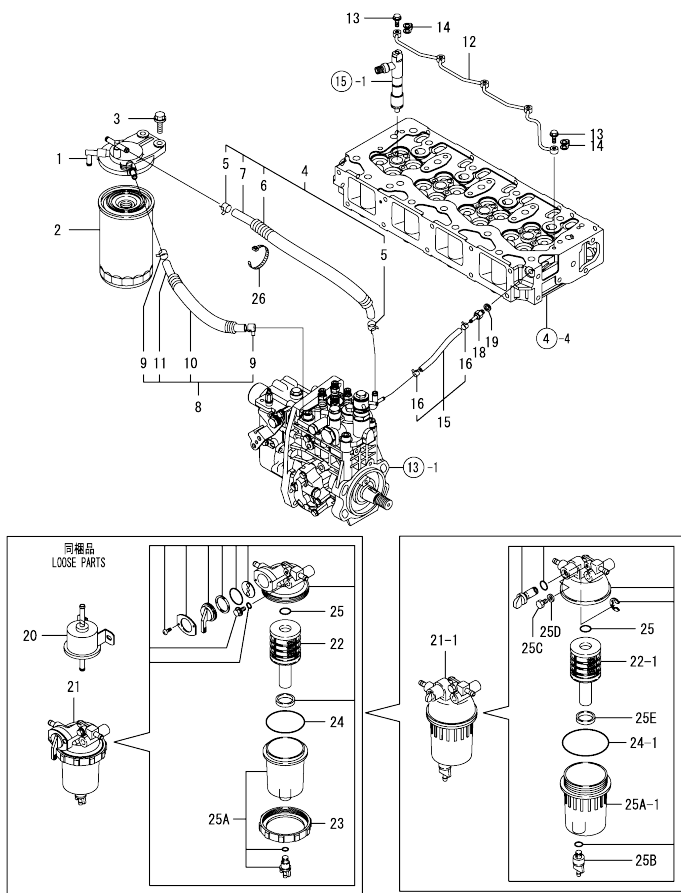


(A)=4TNV98T-SBK
(B)=
(C)=

(D)=
(E)=
(F)=

No.	Lev.	Parts No.	Description	Q'ty						I	R
				(A)	(B)	(C)	(D)	(E)	(F)		
1	1	729933-53100	FUEL INJECTOR ASSY	4							
2	2	129933-53000	NOZZLE ASSY, F.I.	4							
5	2	114250-53080	NUT, NOZZLE	4							
9	2	114250-53120	SPRING, NOZZLE	4							
10	2	114250-53130	SEAT, SPRING	4							
11	2	114250-53140	SPACER	4							
12	2	114250-53210	PIN	8							
13	2	114250-53400	SHIM SET	4							
25	1	123907-11601	SEAL, PIPE	4							
26	1	122780-59100	RETAINER	2							
27	1	119305-59120	RETAINER, PIPE	1							
30	2	129150-59131	BOLT, M4X14	1							
31	1	129550-59120	RETAINER, PIPE	1							
34	2	129150-59131	BOLT, M4X14	2							
35	1	129907-59720	SUPPORT	1							
37	1	129908-59810	PIPE ASSY, INJECTION	1							
38	1	129908-59820	PIPE ASSY, INJECTION	1							
39	1	129908-59830	PIPE ASSY, INJECTION	1							
40	1	129908-59840	PIPE ASSY, INJECTION	1							
41	1	26106-060162	BOLT, M6X 16 PLATED	2							
42	1	26106-080182	BOLT, M8X 18 PLATED	1							

Fig.16. FUEL LINE



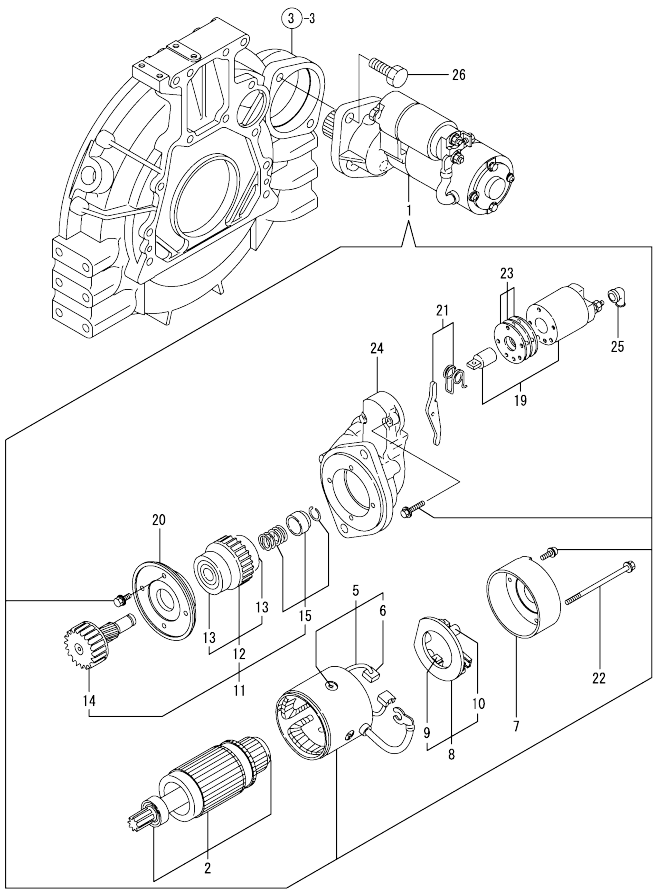
(A)=4TNV98T-SBK
(B)=
(C)=

(D)=
(E)=
(F)=

No.	Lev.	Parts No.	Description	Q'ty						I	R
				(A)	(B)	(C)	(D)	(E)	(F)		
1	1	129004-55611	BRACKET, FILTER	1							
2	1	123907-55800	FILTER, FUEL	1							
3	1	26106-080302	BOLT, M8X 30 PLATED	2							
4	1	129457-59010	HOSE ASSY, FUEL	1							
5	2	124766-59050	CLAMP, HOSE 11.5	2							
6	2	129957-59120	TUBE, CORRUGATED 15	1							
7	2	105025-59750	HOSE, FUEL	1							
8	1	129981-59010	HOSE ASSY, FUEL	1							
9	2	124766-59050	CLAMP, HOSE 11.5	2							
10	2	129950-59221	TUBE, CORRUGATED 15	1							
11	2	129980-59510	HOSE, FUEL	1							
12	1	129907-59140	PIPE ASSY, RETURN	1							
13	1	123907-59540	BOLT, PIPE JOINT M6	5							
14	1	123907-59550	GASKET	5							
15	1	129486-59551	HOSE ASSY, RETURN	1							
16	2	124722-59050	CLAMP, HOSE 9	2							
18	1	123907-59560	JOINT, HOSE	1							
19	1	22190-080002	WASHER, SEAL 6	1							
20	1	119225-52102	PUMP, FUEL FEED	1							
21	1	119802-55700	SEPARATOR ASSY,WATER	1							
21-1	1	129242-55700	SEPARATOR ASSY,WATER	1							N
(A=2008.08.)											
22	2	119802-55710	ELEMENT	1							
22-1	2	129242-55730	ELEMENT, FUEL	1							S
(A=2008.08.)											
23	2	129100-55690	RING, CUP RETAINING	1							Z
(A=2008.08.)											
24	2	24321-000650	O-RING, 1AG65.0	1							
24-1	2	24321-000750	O-RING, 1AG75.0	1							S
(A=2008.08.)											
25	2	24311-000160	O-RING, 1AP16.0	1							
25A	2	119802-55730	CUP ASSY, SEPARATOR	1							W
(A=FROM 1ST)											
25A-1	2	129242-55720	CUP, SEPARATOR	1							S
(A=2008.08.)											
25B	2	129242-55740	PLUG, DRAIN	1							W
(A=2008.08.)											
25C	2	129242-55750	VALVE, AIR VENT	1							W
(A=2008.08.)											
25D	2	129242-55760	GASKET, PLUG	1							W
(A=2008.08.)											
25E	2	129242-55770	FLOAT	1							W
(A=2008.08.)											
26	1	121750-59890	BAND, NYLON	1							

N:Old $\frac{New}{Old}$ New, Q:Old $\frac{New}{Old}$ New, R:Old $\frac{New}{Old}$ New, S:Old $\frac{New}{Old}$ New, W:Add, Z:Discontinued, F:Interchangeable by set, K:Q'ty Change
Copyright (C) YANMAR GLOBAL CS CO., LTD. All Rights Reserved.

Fig.17. STARTING MOTOR



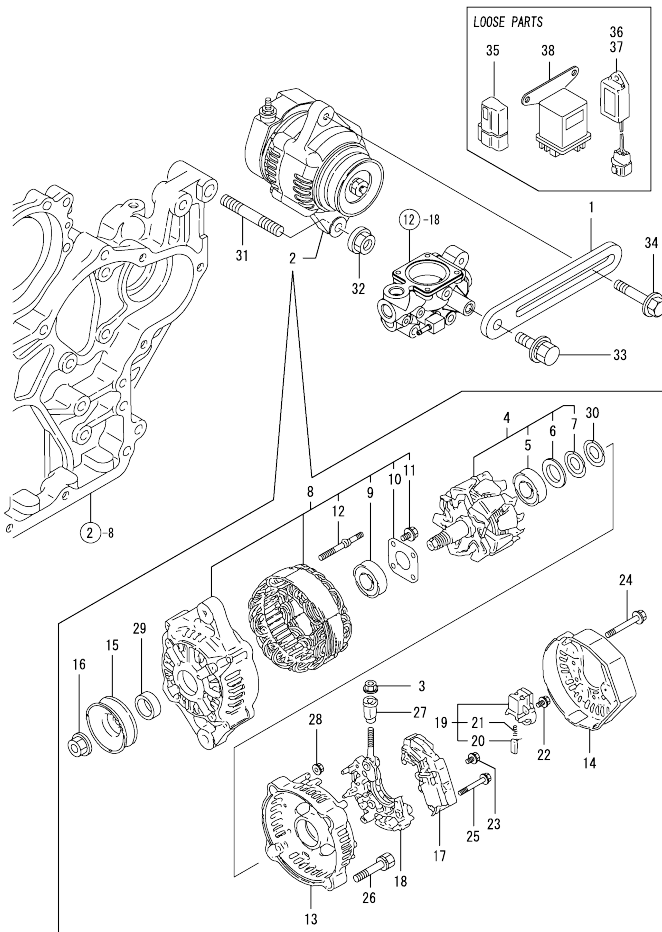
(A)=4TNV98T-SBK
(B)=
(C)=

(D)=
(E)=
(F)=

No.	Lev.	Parts No.	Description	Q'ty						I	R
				(A)	(B)	(C)	(D)	(E)	(F)		
1	1	123900-77010	STARTER ASSY	1							
2	2	123900-77400	ARMATURE ASSY	1							
5	2	123900-77440	COIL ASSY, FIELD	1							
6	3	123900-77450	BRUSH	2							
7	2	123900-77460	COVER	1							
8	2	123900-77480	HOLDER ASSY, BRUSH	1							
9	3	123900-77450	BRUSH	2							
10	3	121254-77590	SPRING, BRUSH	4							
11	2	123900-77510	PINION ASSY	1							
12	3	123900-77520	CLUTCH ASSY	1							
13	4	X2240610100	BEARING, BALL	2							
14	3	123900-77540	SHAFT, PINION	1							
15	3	119131-77550	STOPPER SET, PINION	1							
19	2	129900-77591	SWITCH ASSY, MAGNET	1							
20	2	123900-77610	RETAINER, BEARING	1							
21	2	129900-77620	LEVER SET	1							
22	2	123900-77640	BOLT, THROUGH	2							
23	2	123900-77650	COVER KIT, DUST	1							
24	2	123900-77710	CASE, GEAR	1							
25	2	171008-77750	COVER, TERMINAL	1							
26	1	26116-120252	BOLT, M12X 25 PLATED	2							

OCR10-M60100 ENGINE SECTION
Fig.18. GENERATOR

OCR10-M60100 Fig.18



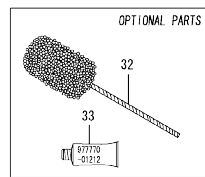
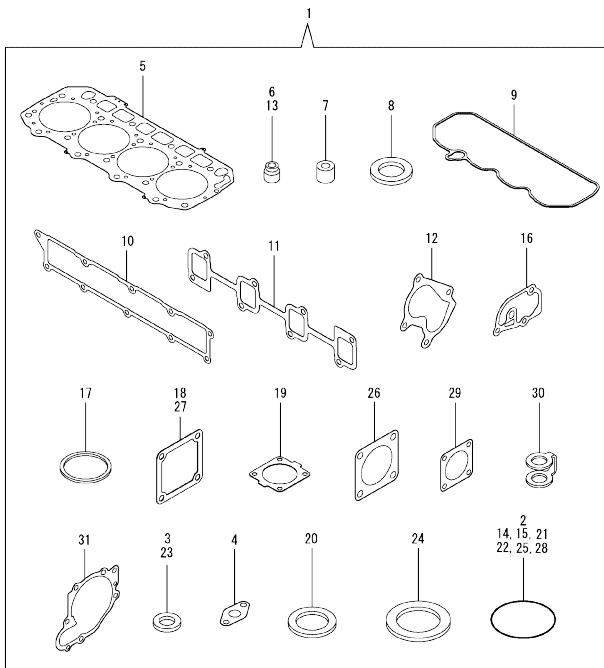
(A)=4TNV98T-SBK
 (B)=
 (C)=

(D)=
 (E)=
 (F)=

No.	Lev.	Parts No.	Description	Qty						I	R
				(A)	(B)	(C)	(D)	(E)	(F)		
1	1	129900-77330	ADJUSTER, BELT	1							
2	1	129423-77200	GENERATOR ASSY, 40A	1							
3	2	X9490561001	NUT	1							
4	2	119620-77380	ROTOR ASSY	1							
5	3	119620-79240	BEARING, BALL	1							
6	3	119620-79250	COVER, BEARING	1							
7	3	119620-79360	WASHER, THRUST	1							
8	2	119620-77421	FRAME ASSY, GENERATOR	1							
9	3	119620-79200	BEARING, BALL	1							
10	3	119620-79210	RETAINER	1							
11	3	119620-79220	SCREW	4							
12	3	119620-79230	BOLT, STUD	2							
13	2	119620-77440	FRAME ASSY	1							
14	2	129240-79300	COVER	1							
15	2	119620-77461	PULLEY, GENERATOR	1							
16	2	119620-77471	NUT	1							
17	2	129423-77710	REGULATOR ASSY	1							
18	2	119620-79260	HOLDER	1							
19	2	119620-79270	HOLDER, BRUSH	1							
20	3	119620-77480	BRUSH	2							
21	3	119620-79280	SPRING	2							
22	2	119620-79290	SCREW	1							
23	2	119620-79300	SCREW	1							
24	2	119620-79310	BOLT	3							
25	2	119620-79320	SCREW	2							
26	2	119620-79330	BOLT	2							
27	2	119620-79340	BUSH, INSULATION	1							
28	2	119620-79350	NUT	2							
29	2	119620-77490	COLLAR	1							
30	2	119620-79360	WASHER, THRUST	1							
31	1	129795-01900	BOLT, STUD M10X33	1							
32	1	26306-100002	NUT, M10	1							
33	1	26014-080252	BOLT, M8X 25	1							
34	1	119810-77340	BOLT, ADJUST L=30	1							
35	1	119643-66900	DIODE	1							
36	1	128300-77920	TIMER	1							
37	1	129211-77920	TIMER	1							
38	1	119650-77910	RELAY ASSY, GLOW	1							

N:Old $\frac{100}{100}$ New, Q:Old $\frac{100}{100}$ New, R:Old $\frac{100}{100}$ New, S:Old $\frac{100}{100}$ New, W:Add, Z:Discontinued, F:Interchangeable by set, K:Qty Change
 Copyright (C) YANMAR GLOBAL CS CO., LTD. All Rights Reserved.

Fig.19. GASKET SET



(A)=4TNV98T-SBK
(D)=
(E)=
(F)=

No.	Lev.	Parts No.	Description	Qty						I	R	
				(A)	(B)	(C)	(D)	(E)	(F)			
1	1	729907-92880	GASKET SET	1							1	
2	2	24311-000070	O-RING, 1AP7.0	1								
3	2	23414-100000	GASKET, 10X1.0	2								
4	2	129908-39690	GASKET	1								
5	2	129907-01331	GASKET, HEAD	1								
6	2	124160-11340	SEAL, VALVE STEM	8								
7	2	119802-11870	PROTECTOR, NOZZLE	4								
8	2	119625-11880	SEAT, NOZZLE	4								
9	2	129907-11310	GASKET, BONNET	1								
10	2	129907-12110	GASKET, MANIFOLD	1								
11	2	129900-13251	GASKET, EXH.MANIFOLD	1								
12	2	123901-18080	GASKET	1								
13	2	124950-11340	SEAL, VALVE STEM	8								
14	2	129900-32030	O-RING, P20	2								
15	2	129900-32040	O-RING, P14	1								
16	2	129900-49870	GASKET, THERMOSTAT	1								
17	2	121850-49550	GASKET, THERMOSTAT	1								
18	2	121850-77021	GASKET, AIR HEATER	1								
19	2	121850-49540	GASKET, THERMOSTAT	1								
20	2	124465-44950	GASKET, 16	2								
21	2	24311-000120	O-RING, 1AP12.0	8								
22	2	24311-000320	O-RING, 1AP32.0	2								
23	2	22190-080002	WASHER, SEAL 6	9								
24	2	22190-220002	WASHER, SEAL 22	1								
25	2	24351-030750	O-RING, 1A3075	1								
26	2	129472-18090	GASKET	1								
27	2	119129-77020	GASKET	1								
28	2	24321-000600	O-RING, 1AG60.0	1								
29	2	124240-01883	GASKET	1								
30	2	123907-59550	GASKET	5								
31	2	129900-42020	GASKET, WATER PUMP	1								
32	1	129400-92450	HONE, FLEX	1								1
33	1	97770-01212	GASKET, LIQUID	1								1

Remarks
(1) OPTIONAL PART.

Parts No. Index

Parts No.	Fig. No.	Ref. No.
105010-39140	11	10 -1
105025-59750	16	7
106500-44810	11	38
114250-39450	11	6
114250-53080	15	5
114250-53120	15	9
114250-53130	15	10
114250-53140	15	11
114250-53210	15	12
114250-53400	15	13
119000-39650	11	36
119005-77050	5	7
119006-03090	4	75
119100-11330	4	58
119129-77020	5	5
	19	27
119131-18320	8	4
119131-77550	17	15
119140-12680	5	19
119141-44760	12	45
119160-12530	5	17
119160-12540	5	18
119160-12570	5	15
119225-52102	16	20
119233-77932	14	91
119305-59120	15	27
119593-11301	4	28
119620-11180	4	18
119620-77380	18	4
119620-77421	18	8
119620-77440	18	13
119620-77461	18	15
119620-77471	18	16
119620-77480	18	20
119620-77490	18	29
119620-79200	18	9
119620-79210	18	10
119620-79220	18	11
119620-79230	18	12
119620-79240	18	5
119620-79250	18	6
119620-79260	18	18
119620-79270	18	19
119620-79280	18	21
119620-79290	18	22
119620-79300	18	23
119620-79310	18	24
119620-79320	18	25
119620-79330	18	26
119620-79340	18	27

Parts No.	Fig. No.	Ref. No.
119620-79350	18	28
119620-79360	18	7
		30
119625-11880	4	61
	19	8
119640-01640	3	9
119643-66900	18	35
119650-77910	18	38
119660-61901	14	60
119802-11870	4	60
	19	7
119802-51590	13	69
119802-51600	13	70
119802-51680	13	74
119802-51690	13	75
119802-55700	16	21
119802-55710	16	22
119802-55730	16	25 A
119807-61420	14	23
119810-77340	18	34
120130-22301	9	22
121250-44901	12	35
121252-39150	11	7
121254-77590	17	10
121450-42450	12	34
121520-34810	10	14
121750-59890	10	11
	16	26
121850-21130	9	11
121850-21290	9	5
121850-21680	9	10
121850-21920	9	6
121850-49540	12	20
	19	19
121850-49550	12	21
	19	17
121850-49810	12	23
121850-77021	5	6
	19	18
122780-59100	15	26
123900-13630	6	3
123900-25060	7	10
123900-77010	17	1
123900-77400	17	2
123900-77440	17	5
123900-77450	17	6
		9
123900-77460	17	7
123900-77480	17	8
123900-77510	17	11

Parts No.	Fig. No.	Ref. No.
123900-77520	17	12
123900-77540	17	14
123900-77610	17	20
123900-77640	17	22
123900-77650	17	23
123900-77710	17	24
123901-03240	4	68
123901-03280	4	79
123901-18080	6	12
	19	12
123901-39820	11	39
123907-11280	4	33
123907-11550	4	3
123907-11601	15	25
123907-11820	4	12
123907-11830	4	24
123907-39500	11	16
123907-55800	16	2
123907-59540	16	13
123907-59550	16	14
	19	30
123907-59560	16	18
123910-39850	11	26
123910-49600	10	8
123910-49610	10	10
123912-33050	10	2
123912-33100	10	3
123951-18220	5	20
124070-13300	11	23
124160-01751	2	25
	4	50
124160-11340	4	19
	19	6
124160-11360	4	62
124223-39900	11	3
124240-01871	2	26
124240-01883	2	27
	19	29
124411-01780	3	7
124465-44950	12	36
		37
	19	20
124722-59050	12	41
		44
	16	16
124766-59050	16	5
		9
124950-11340	4	20
	19	13
128300-77920	18	36

Parts No.	Fig. No.	Ref. No.
129001-91810	2	14
		15
129004-55611	16	1
129005-59830	11	10
		18
129006-44480	10	5
129100-01580	2	5
	3	1
129100-55690	16	23
129150-02450	7	4
129150-03100	4	80
129150-11230	4	36
		40
129150-11750	4	23
		37
		41
129150-14200	7	1
129150-25920	7	14
129150-35170	10	25
129150-59131	15	30
		34
129155-51280	14	6
129155-61460	14	28
129198-59540	11	10 -2
129211-77920	18	37
129240-79300	18	14
129242-55700	16	21 -1
129242-55720	16	25 A-1
129242-55730	16	22 -1
129242-55740	16	25 B
129242-55750	16	25 C
129242-55760	16	25 D
129242-55770	16	25 E
129255-61410	14	22
129400-92450	19	32
129410-03990	4	77
129418-18320	6	4
129423-77200	18	2
129423-77710	18	17
129457-59010	16	4
129466-49300	10	7
129472-18090	8	1
	19	26
129486-59551	16	15
129550-59120	15	31
129795-01900	18	31
129900-01200	1	31
129900-01250	1	5
129900-01620	3	3
129900-01740	2	6

Parts No. Index

Parts No.	Fig. No.	Ref. No.
129900-01780	2	4
129900-02020	1	7
129900-02340	1	34
129900-02410	1	10
129900-02930	1	28
129900-02940	1	37
129900-13251	6	2
	19	11
129900-14100	7	7
129900-21200	9	4
129900-21600	9	15
129900-21640	9	8
129900-23001	9	24
129900-23200	9	29
129900-23600	9	30
129900-23610	9	32
129900-23911	9	28
129900-25100	7	11
129900-32030	2	16
	10	17
	19	14
129900-32040	2	13
	19	15
129900-42020	12	11
	19	31
129900-42450	12	14
129900-49870	12	30
	19	16
129900-77330	18	1
129900-77591	17	19
129900-77620	17	21
129906-51580	13	67
129907-01190	1	33
129907-01331	1	32
	19	5
129907-01950	13	126
129907-01960	13	127
129907-03011	4	52
129907-03061	4	53
129907-03070	4	54
129907-07900	4	1
129907-11100	4	27
129907-11110	4	16
129907-11120	4	17
129907-11250	4	30
129907-11260	4	31
129907-11270	4	32
129907-11310	4	57
	19	9
129907-11341	4	29

Parts No.	Fig. No.	Ref. No.
129907-11510	4	21
129907-11650	4	34
129907-11660	4	38
129907-11800	4	11
129907-11910	4	65
129907-11920	4	42
129907-11950	4	48
129907-12110	5	2
	19	10
129907-14400	7	2
129907-21660	9	9
129907-22050	9	18
129907-25900	7	17
129907-39061	11	14
129907-42000	12	1
129907-44740	12	16
129907-49610	12	38
129907-49620	12	42
129907-49710	12	39
129907-49720	12	43
129907-49730	12	22
129907-49750	12	40
129907-49800	12	18
129907-51560	13	63
129907-59140	16	12
129907-59720	15	35
129908-01500	2	8
129908-03099	4	66
129908-03209	4	67
129908-03219	4	69
129908-03229	4	70
129908-11320	4	51
129908-11700	4	4
129908-14581	7	3
129908-21000	9	1
129908-22080	9	16
129908-32060	2	11
129908-33010	10	1
129908-33101	10	4
129908-39410	11	30
129908-39690	11	28
	19	4
129908-49060	10	6
129908-59810	15	37
129908-59820	15	38
129908-59830	15	39
129908-59840	15	40
129916-01710	3	8
129916-21590	9	12
129916-21610	9	10 -1

Parts No.	Fig. No.	Ref. No.
129916-49530	12	19
129916-59020	13	124
129927-42140	2	13 A
129933-53000	15	2
129935-03260	4	72
129935-03270	4	74
129935-12070	5	22
129935-12500	5	13
129935-12520	5	16
129935-13100	6	1
129935-13500	6	6
129935-13600	6	7
129935-13620	6	8
129935-13630	6	5
129935-18010	8	3
129935-18350	5	8
129935-39040	11	1
129935-39610	11	24
129944-12110	5	1
129944-12620	5	11
129950-59221	16	10
129953-25300	7	16
129953-34830	10	15
129953-35000	10	18
129957-59120	16	6
129960-03990	4	78
129960-21930	9	40
129960-21940	9	8 -1
129980-59510	16	11
129981-59010	16	8
144626-51090	13	106
158552-51570	13	64
158552-51580	13	66
158552-51670	13	122
158552-51780	13	87
158552-52100	13	93
158552-52310	13	94
158552-52400	13	95
158552-61900	14	76 -1
158553-51551	13	61
158553-51630	13	79
158553-51640	13	81
158553-51660	13	83
158553-51670	13	73
158553-51680	13	84
158557-51570	13	65
158560-51300	13	32
158560-51340	13	41
158560-51600	13	78
158560-61050	14	2

Parts No.	Fig. No.	Ref. No.
158560-61061	14	3
158560-61071	14	4
158560-61430	14	24
158560-61441	14	25
158563-51150	7	18
158563-51281	13	30
		31
158563-51330	13	40
158600-51270	13	29
158601-51550	13	60
158601-51570	13	62
158601-51650	13	82
158601-51770	13	86
158601-51790	13	85
171008-77750	17	25
171051-01921	1	6
171056-49120	10	16
22190-080002	11	8
		8 -1
		11
		19
		21
		41
	16	19
	19	23
22190-120002	13	97
		98
		99
22190-160002	14	61
22190-180002	13	100
		101
22190-220002	3	11
	19	24
22217-180000	7	19
	13	102
22252-000300	9	23
22312-050140	13	103
22351-030010	11	37
22351-050010	13	104
22351-060012	1	11
22512-070140	7	8
	9	7
22857-500100	4	59
23000-022000	4	76
23000-025000	10	12
	11	27
23000-054000	5	21
23000-060000	5	23
23000-090000	5	24
23414-080000	12	31

Parts No. Index

Parts No.	Fig. No.	Ref. No.
23414-100000	11	9
	19	3
23857-030000	11	12
		20
23857-060000	13	107
23875-030000	12	27
23876-020000	4	13
23876-030000	1	12
		13
		14
	4	14
23887-120002	13	108
23887-160002	14	63
24311-000070	2	12
	13	109
	19	2
24311-000120	4	47
		63
	19	21
24311-000160	16	25
24311-000320	2	30
	4	64
	19	22
24321-000600	10	13
	19	28
24321-000650	16	24
24321-000750	16	24 -1
24341-000280	14	76
24351-030750	2	17
	19	25
24356-010200	13	76
		110
24356-020210	13	111
24372-000150	13	77
25132-004100	12	15
26013-080222	5	12
26014-080252	18	33
26106-060102	13	112
	14	64
		65
26106-060122	12	28
26106-060142	14	77
26106-060162	11	29
	15	41
26106-060202	12	29
26106-060252	14	78
26106-060302	12	12
26106-060352	13	113
26106-060402	14	79
26106-080122	3	12

Parts No.	Fig. No.	Ref. No.
26106-080122	4	81
	10	23
	11	13
		22
		40
	12	32
26106-080142	4	83
26106-080162	2	18
		19
		28
	4	2
	6	9
	7	9
	10	24
	13	128
26106-080182	15	42
26106-080202	2	20
	5	25
	6	10
26106-080222	13	129
		130
26106-080302	16	3
26106-080402	2	21
		22
	4	44
26106-080452	2	23
	5	3
26106-080552	7	15
	12	13
		17
26106-080602	4	45
		46
	12	33
26106-080702	5	9
26106-080802	5	4
26106-080902	5	10
26106-100202	13	131
26116-050102	4	71
26116-060102	14	51
26116-120252	17	26
26206-100352	3	2
26206-100702	3	6
26216-100302	2	10
26226-080222	4	43
26306-080002	4	49
	6	11
	8	2
26306-100002	2	24
	18	32
26450-100452	13	117

Parts No.	Fig. No.	Ref. No.
26756-060002	14	66
26776-180002	7	20
	13	118
27241-300000	1	15
27241-400000	4	15
27310-070001	4	25
729900-02800	1	25
729907-01540	2	1
729907-22950	9	36
729907-92880	19	1
729908-01560	1	1
729908-22900	9	34
729933-51390	13	1
729933-53100	15	1
977770-01212	2	29
	3	13
	4	82
	19	33
X2240610100	17	13
X9490561001	18	3

Parts No.	Fig. No.	Ref. No.
-----------	----------	----------