

0CD11-M17500EN

# P R E F A C E

1. This parts catalog is the 1st edition of 4TNV98T-SIK for KATO WORKS CO.,LTD.

Pub. No. : 0CD11-G17500

Published : January, 2013

2. Model name

Engine model	Vehicle	Vehicle made by
4TNV98T-SIK	EXCAVATOR	KATO WORKS CO.,LTD.

## Contents

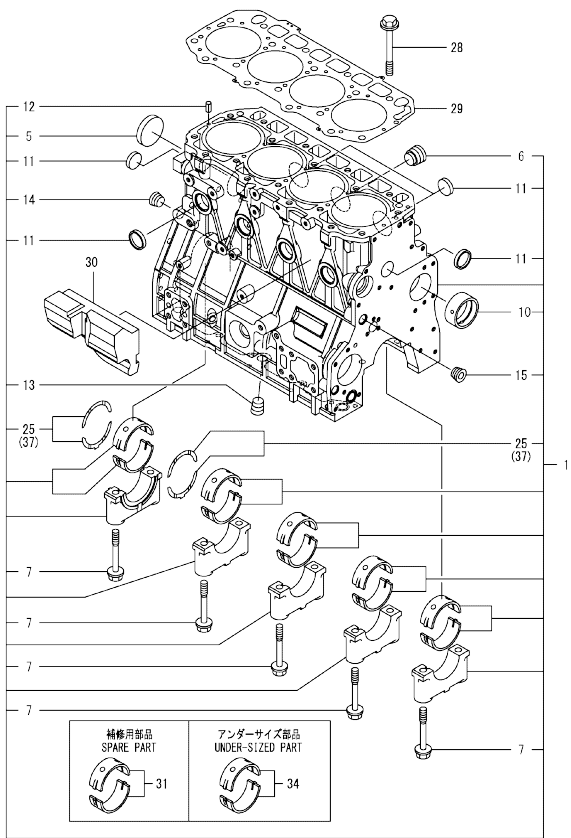
OCD11-M17500

Fig. No.	Fig. Name	Fig. No.	Fig. Name
4	TNV98T-SIK		
1.	CYLINDER BLOCK		
2.	GEAR HOUSING		
3.	FLYWHEEL HOUSING & OIL SUMP		
4.	CYLINDER HEAD & BONNET		
5.	SUCTION MANIFOLD & AIR CLEANER		
6.	EXHAUST MANIFOLD & SILENCER		
7.	CAMSHAFT & DRIVING GEAR		
8.	TURBINE		
9.	CRANKSHAFT & PISTON		
10.	LUB.OIL SYSTEM		
11.	LUB.OIL LINE		
12.	COOLING WATER SYSTEM		
13.	FUEL INJECTION PUMP		
14.	GOVERNOR		
15.	FUEL INJECTION VALVE		
16.	FUEL LINE		
17.	STARTING MOTOR		
18.	GENERATOR		
19.	GASKET SET		

Fig.1. CYLINDER BLOCK

(A)=4TNV98T-SIK  
(B)=  
(C)=

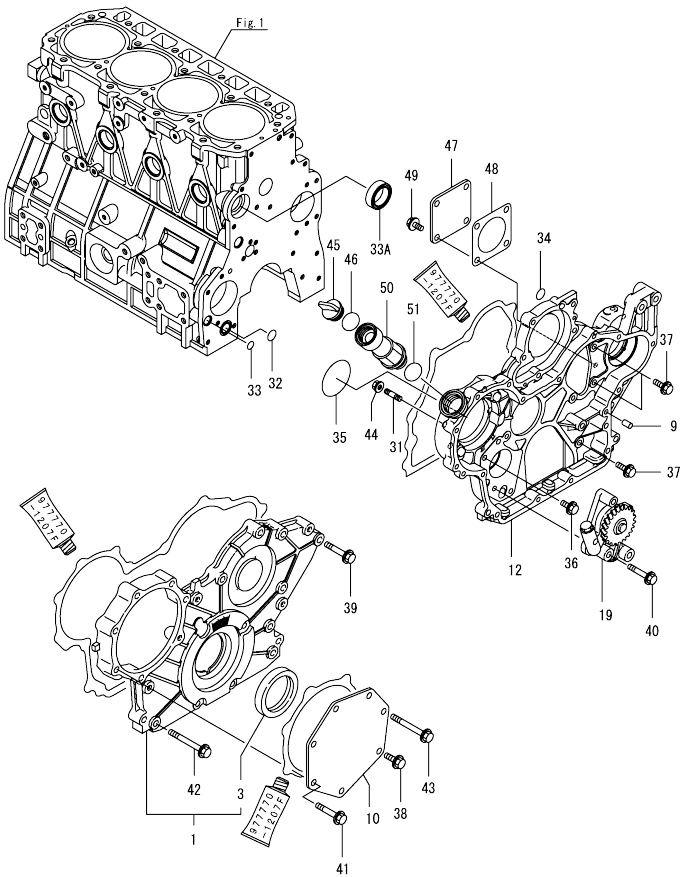
(D)=  
(E)=  
(F)=



No.	Lev.	Parts No.	Description	Q'ty						I	R
				(A)	(B)	(C)	(D)	(E)	(F)		
1	1	729908-01560	BLOCK ASSY, CYLINDER	1							
5	2	129900-01250	PLUG, DISH TYPE 55	1							
6	2	171051-01921	PLUG, NPTF1	1							
7	2	129900-02020	BOLT, METAL CAP	10							
10	2	129900-02410	BUSH, CAMSHAFT	1							
11	2	22351-060012	PIN, SPRING 6.0X12	2							
12	2	23876-030000	PLUG, R03	1							
13	2	23876-030000	PLUG, R03	1							
14	2	23876-030000	PLUG, R03	1							
15	2	27241-300000	PLUG 30	8							
25	2	129900-02931	BEARING ASSY, THRUST	2							
28	1	129900-01200	BOLT, CYLINDER HEAD	18							
29	1	129907-01331	GASKET, HEAD	1							
30	1	129907-01190	SPACER	1							
31	1	729900-02801	BEARING, MAIN	5							1
34	1	129900-02341	BEARING ASSY, MAIN	5							2
37	1	129900-02941	BEARING, THRUST 0.25	2							3

Remarks  
(1)Spare part.  
(2)Under-sized(U.S.=0.25)part.  
(3)Over-sized(O.S.=0.25)part.

Fig.2. GEAR HOUSING

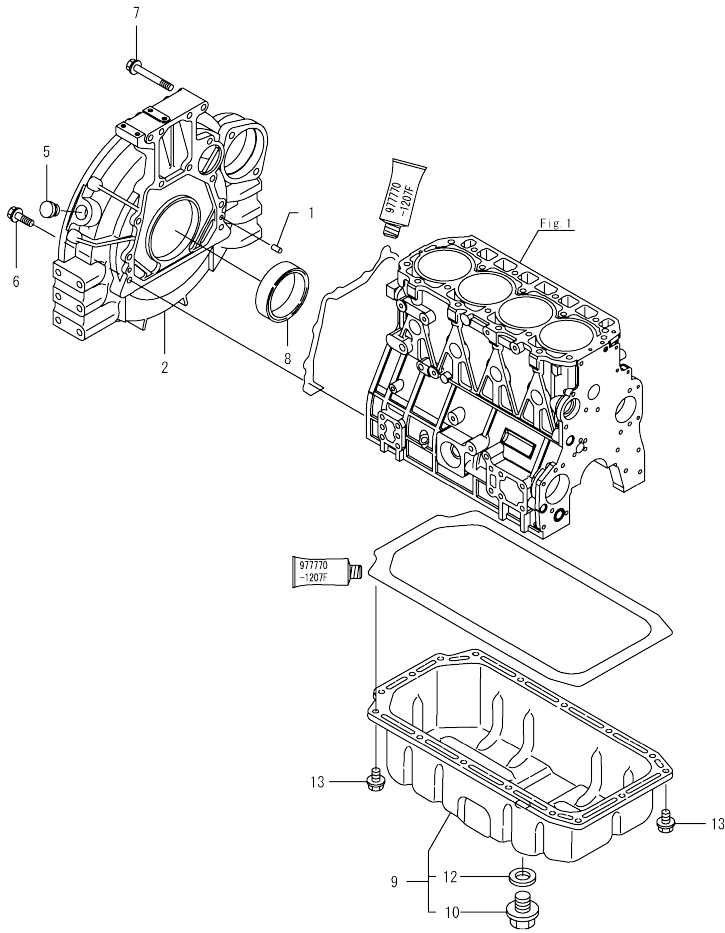


(A)=4TNV98T-SIK  
(B)=  
(C)=

(D)=  
(E)=  
(F)=

No.	Lev.	Parts No.	Description	Qty						I	R	
				(A)	(B)	(C)	(D)	(E)	(F)			
1	1	729906-01550	COVER ASSY,GEAR CASE	1								
3	2	129916-01800	SEAL, OIL	1								
9	1	129100-01580	PIN, PARALLEL 8X16	4								
10	1	129951-01740	COVER	1								
12	1	129908-01500	CASE, GEAR	1								
19	1	129908-32060	PUMP ASSY, OIL	1								
31	1	26216-100302	STUD, M10X 30	4								
32	1	129900-32030	O-RING, P20	1								
33	1	129900-32040	O-RING, P14	1								
33A	1	129927-42140	GASKET, PUMP OUTLET	1							W	
(A=EU0854)												
34	1	24311-000070	O-RING, 1AP7.0	1								
35	1	24351-030750	O-RING, 1A3075	1								
36	1	26106-080162	BOLT, M8X 16 PLATED	1								
37	1	26106-080202	BOLT, M8X 20 PLATED	3								
38	1	26106-080202	BOLT, M8X 20 PLATED	1								
39	1	26106-080402	BOLT, M8X 40 PLATED	5								
40	1	26106-080452	BOLT, M8X 45 PLATED	3								
41	1	26106-080452	BOLT, M8X 45 PLATED	5								
42	1	26106-080702	BOLT, M8X 70 PLATED	6								
43	1	26106-080752	BOLT, M8X 75 PLATED	1								
44	1	26306-100002	NUT, M10	4								
45	1	124160-01751	CAP, FILLER	1								
46	1	24311-000320	O-RING, 1AP32.0	1								
47	1	124240-01871	COVER, PUMP	1								
48	1	129C26-01890	GASKET, HO-P	1								
49	1	26106-080162	BOLT, M8X 16 PLATED	4								
50	1	171031-11741	PIPE	1								
51	1	24311-000320	O-RING, 1AP32.0	1								

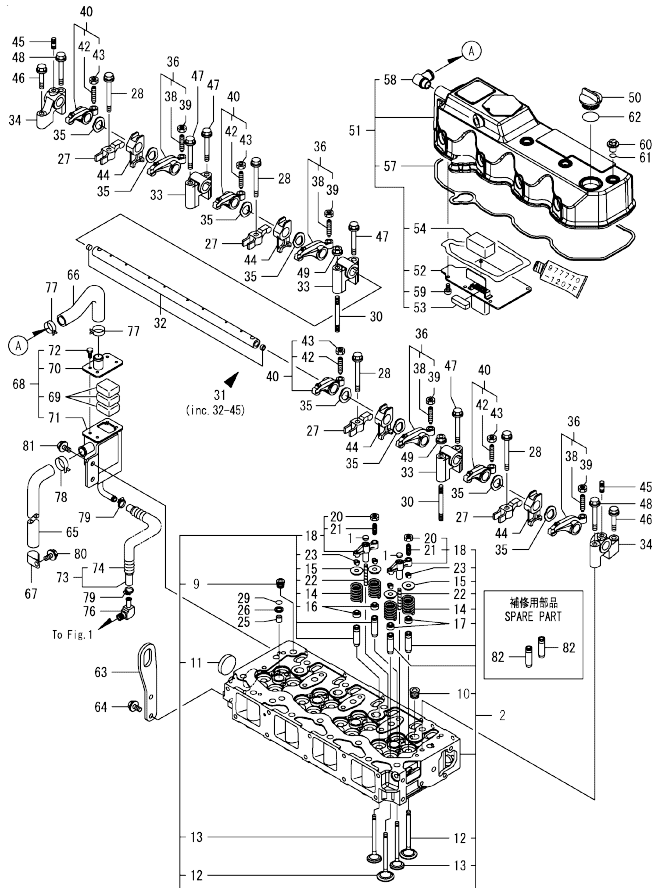
Fig.3. FLYWHEEL HOUSING & OIL SUMP



No.	Lev.	Parts No.	Description	Q'ty						I	R
				(A)	(B)	(C)	(D)	(E)	(F)		
1	1	129100-01580	PIN, PARALLEL 8X16	2							
2	1	129953-01620	HOUSING, FLYWHEEL	1							
5	1	119620-01750	CAP	1							
6	1	26206-100352	BOLT, M10X 35 PLATED	9							
7	1	26206-100702	BOLT, M10X 70 PLATED	4							
8	1	129916-01790	SEAL, D115/95XT11	1							
9	1	129916-01710	OIL PAN ASSY	1							
10	2	119640-01640	PLUG, DRAIN M22	1							
12	2	22190-220002	WASHER, SEAL 22	1							
13	1	26106-080122	BOLT, M8X 12 PLATED	16							

N:Old  $\frac{100}{100}$  New, Q:Old  $\frac{100}{100}$  New, R:Old  $\frac{100}{100}$  New, S:Old  $\frac{100}{100}$  New, W:Add, Z:Discontinued, F:Interchangeable by set, K:Q'ty Change  
 Copyright (C) YANMAR GLOBAL CS CO., LTD. All Rights Reserved.

Fig.4. CYLINDER HEAD & BONNET



Remarks  
(1) Spare part.

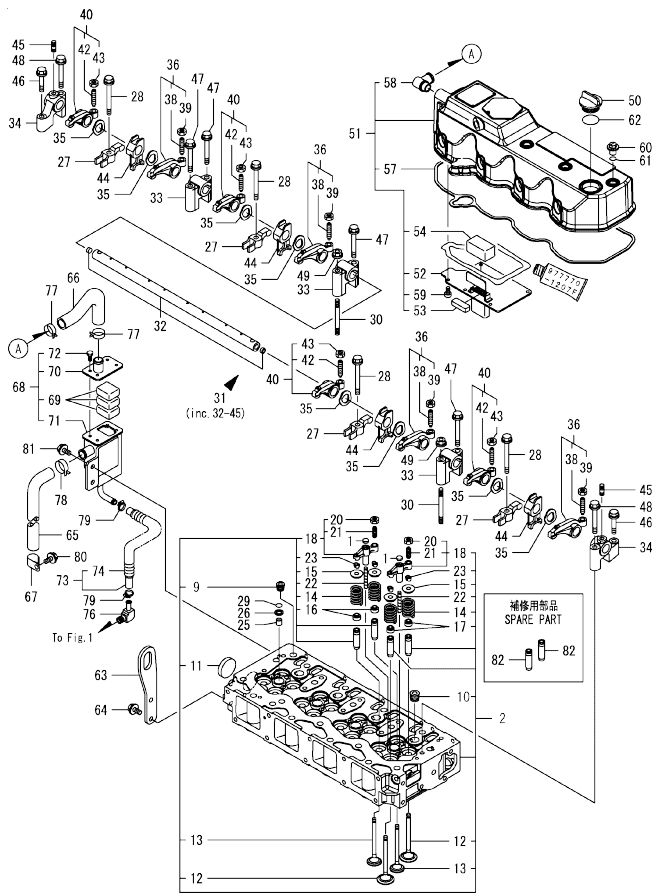
(A)=4TNV98T-SIK  
(B)=  
(C)=

(D)=  
(E)=  
(F)=

No.	Lev.	Parts No.	Description	Q'ty						I	R
				(A)	(B)	(C)	(D)	(E)	(F)		
1	1	123907-11550	SEAT, VALVE BRIDGE	8							
2	1	129908-11700	HEAD ASSY, CYLINDER	1							
9	2	23876-020000	PLUG, R02	1							
10	2	23876-030000	PLUG, R03	4							
11	2	27241-400000	PLUG, 40	1							
12	2	129907-11100	VALVE, SUCTION	8							
13	2	129907-11110	VALVE, EXHAUST	8							
14	2	129907-11120	SPRING, VALVE	16							
15	2	119620-11180	RETAINER, SPRING	16							
16	2	119803-11340	SEAL, VALVE STEM	8							
17	2	124160-11340	SEAL, VALVE STEM	8							
18	2	129907-11510	BRIDGE ASSY, VALVE	8							
20	3	129150-11750	NUT, M8	8							
21	3	123907-11830	ADJUSTER	8							
22	2	123907-11820	GUIDE, BRIDGE	8							
23	2	27310-070001	COTTER, 7	16							
25	1	119802-11870	PROTECTOR, NOZZLE	4							
26	1	119625-11880	SEAT, NOZZLE	4							
27	1	129907-11910	RETAINER, NOZZLE	4							
28	1	129907-11950	BOLT, M8X75	4							
29	1	24311-000120	O-RING, 1AP12.0	4							
30	1	119593-11301	BOLT, STUD M8X80	2							
31	1	129907-11341	SHAFT ASSY, ROCKER	1							
32	2	129907-11250	SHAFT, ROCKER ARM	1							
33	2	129907-11260	SUPPORT, ROCKER ARM	3							
34	2	129907-11270	SUPPORT, ROCKER ARM	2							
35	2	123907-11280	WASHER	8							
36	2	129907-11650	ARM ASSY, ROCKER	4							
38	3	129150-11230	SCREW, VALVE ADJUST	4							
39	3	129150-11750	NUT, M8	4							
40	2	129907-11660	ARM ASSY, ROCKER	4							
42	3	129150-11230	SCREW, VALVE ADJUST	4							
43	3	129150-11750	NUT, M8	4							
44	2	129907-11920	RETAINER, NOZZLE	4							
45	2	26226-080222	STUD, M8X 22	2							
46	1	26106-080402	BOLT, M8X 40 PLATED	2							
47	1	26106-080602	BOLT, M8X 60 PLATED	4							
48	1	26106-080602	BOLT, M8X 60 PLATED	2							
49	1	26306-080002	NUT, M8	2							
50	1	124160-01751	CAP, FILLER	1							
51	1	129933-11320	BONNET ASSY, HEAD	1							
52	2	129907-03011	PLATE, BAFFLE	1							
53	2	129907-03061	BAFFLE, BREATHER	1							
54	2	129907-03070	BAFFLE, BREATHER	1							
57	2	129933-11310	GASKET, BONNET	1							
58	2	119100-11330	ELBOW, BREATHER	1							
59	2	22857-500100	SCREW, 5X10	6							
60	1	124160-11360	KNOB	4							
61	1	24311-000120	O-RING, 1AP12.0	4							
62	1	24311-000320	O-RING, 1AP32.0	1							
63	1	129907-07900	LIFTER, ENGINE	1							

N:Old  $\frac{New}{Old}$  New, Q:Old  $\frac{New}{Old}$  New, R:Old  $\frac{New}{Old}$  New, S:Old  $\frac{New}{Old}$  New, W:Add, Z:Discontinued, F:Interchangeable by set, K:Q'ty Change  
 ++ CONTINUE ++  
 Copyright (C) YANMAR GLOBAL CS CO., LTD. All Rights Reserved.

Fig.4. CYLINDER HEAD & BONNET



(A)=4TNV98T-SIK  
(B)=  
(C)=

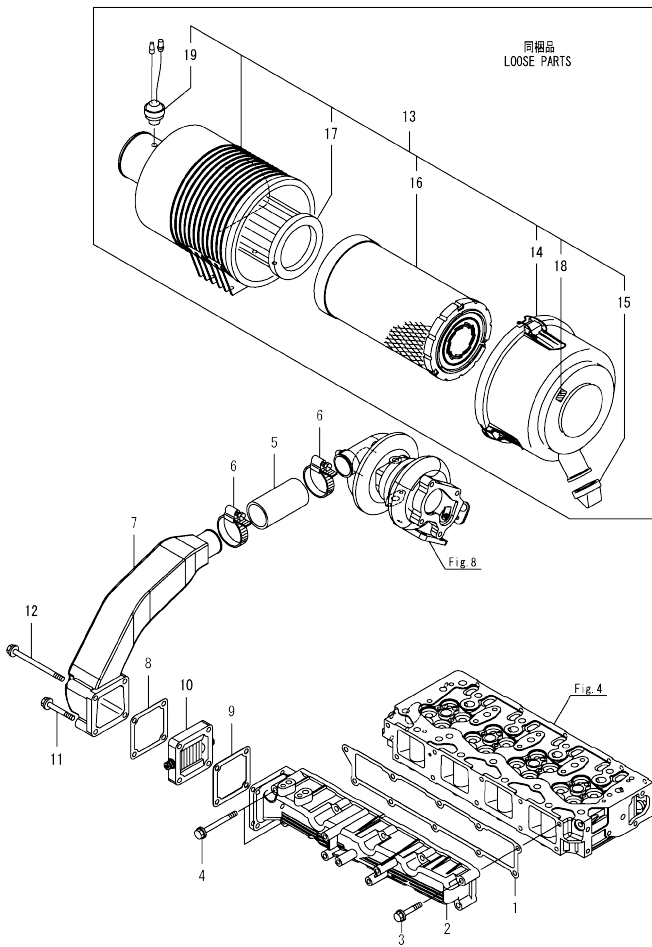
(D)=  
(E)=  
(F)=

No.	Lev.	Parts No.	Description	Q'ty						I	R
				(A)	(B)	(C)	(D)	(E)	(F)		
64	1	26106-080162	BOLT, M8X 16 PLATED	2							
65	1	119006-03090	HOSE, BREATHER	1							
66	1	129908-03099	HOSE, BREATHER	1							
67	1	129150-03100	RETAINER, PIPE	1							
68	1	129908-03230	BREATHER ASSY	1							
69	2	123901-03240	FILTER	3							
70	2	129908-03240	COVER, BREATHER	1							
71	2	129908-03250	BREATHER	1							
72	2	26116-050102	BOLT, M5X 10 PLATED	4							
73	1	129935-03260	HOSE ASSY, RETURN	1							
74	2	129935-03270	TUBE, CORRUGATED	1							
76	1	123901-03280	ELBOW, PT3/8-10	1							
77	1	129410-03990	CLAMP, HOSE 21.5	2							
78	1	129960-03990	CLAMP, HOSE 19.8	1							
79	1	23000-022000	CLAMP, 22	2							
80	1	26106-080122	BOLT, M8X 12 PLATED	1							
81	1	26106-080142	BOLT, M8X 14 PLATED	2							
82	1	129907-11800	GUIDE, VALVE	16							1

Remarks  
(1)Spare part.

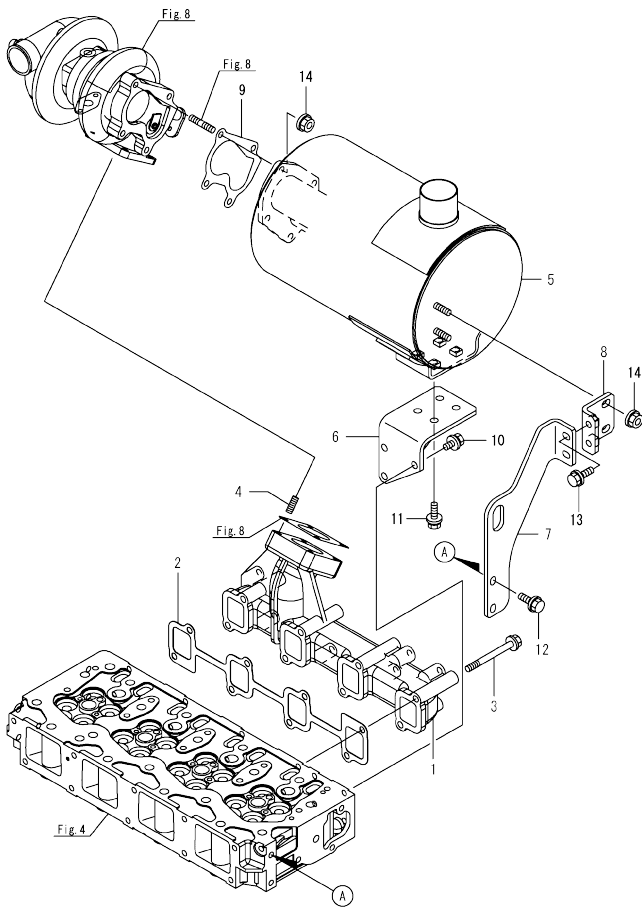


Fig.5. SUCTION MANIFOLD & AIR CLEANER



No.	Lev.	Parts No.	Description	Q'ty					
				(A)	(B)	(C)	(D)	(E)	(F)
1	1	129907-12110	GASKET, MANIFOLD	1					
2	1	129944-12111	MANIFOLD, AIR INTAKE	1					
3	1	26106-080452	BOLT, M8X 45 PLATED	8					
4	1	26106-080802	BOLT, M8X 80 PLATED	2					
5	1	123951-18220	JOINT, RUBBER	1					
6	1	23000-054000	CLAMP, 54	2					
7	1	129935-18350	DUCT, AIR	1					
8	1	119129-77020	GASKET	1					
9	1	121850-77021	GASKET, AIR HEATER	1					
10	1	119005-77051	HEATER, AIR	1					
11	1	26106-080702	BOLT, M8X 70 PLATED	2					
12	1	26106-080902	BOLT, M8X 90 PLATED	2					
13	1	123944-12500	CLEANER ASSY, AIR	1					
14	2	119117-12530	COVER	1					
15	2	119160-12540	VALVE	1					
16	2	119117-12560	ELEMENT	1					
17	2	119117-12570	ELEMENT	1					
18	2	129612-12650	LABEL, MARKING	1					
19	2	119140-12680	INDICATOR, CLEANER	1					

Fig.6. EXHAUST MANIFOLD & SILENCER

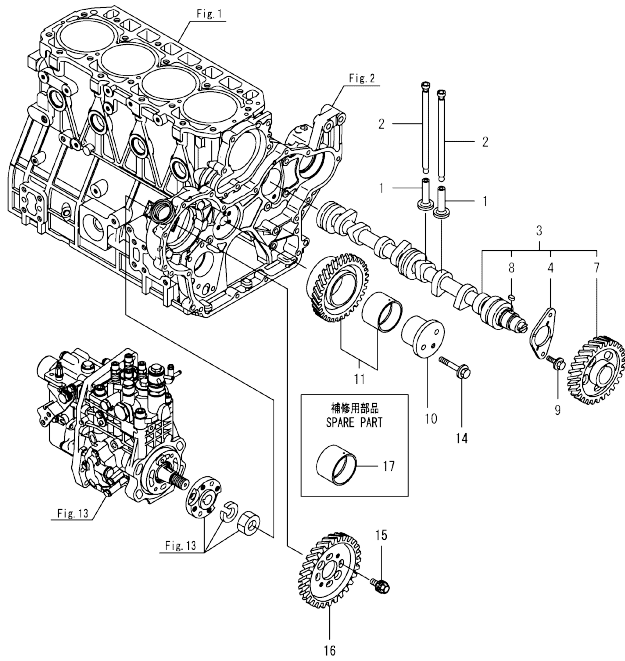


(A)=4TNV98T-SIK  
(B)=  
(C)=

(D)=  
(E)=  
(F)=

No.	Lev.	Parts No.	Description	Q'ty						I	R
				(A)	(B)	(C)	(D)	(E)	(F)		
1	1	129935-13100	MANIFOLD, EXHAUST	1							
2	1	129900-13251	GASKET, EXH.MANIFOLD	1							
3	1	123900-13630	BOLT, M8X80	8							
4	1	129418-18320	BOLT, STUD M8X20	4							
5	1	129935-13500	SILENCER	1							
6	1	129935-13600	STAY, SILENCER	1							
7	1	129949-13620	STAY	1							
8	1	129935-13630	STAY, SILENCER	1							
9	1	123901-18080	GASKET	1							
10	1	26014-080202	BOLT, M8X 20	3							
11	1	26014-080222	BOLT, M8X 22	4							
12	1	26106-080162	BOLT, M8X 16 PLATED	2							
13	1	26106-080202	BOLT, M8X 20 PLATED	2							
14	1	26306-080002	NUT, M8	6							

Fig.7. CAMSHAFT & DRIVING GEAR



(A)=4TNV98T-SIK  
(B)=  
(C)=

(D)=  
(E)=  
(F)=

No.	Lev.	Parts No.	Description	Q'ty						I	R
				(A)	(B)	(C)	(D)	(E)	(F)		
1	1	129150-14200	TAPPET	8							
2	1	129907-14400	PUSH-ROD	8							
3	1	129908-14581	CAMSHAFT ASSY	1							
4	2	129150-02450	BEARING, THRUST	1							
7	2	129900-14100	GEAR, CAMSHAFT	1							
8	2	22512-070140	KEY, 7X 14	1							
9	1	26106-080162	BOLT, M8X 16 PLATED	2							
10	1	123900-25060	SHAFT, IDLE GEAR	1							
11	1	129900-25100	GEAR ASSY, IDLE	1							
14	1	26106-080552	BOLT, M8X 55 PLATED	3							
15	1	129953-25300	BOLT	4							
16	1	129907-25900	GEAR, PUMP	1							
17	1	129150-25920	BUSH, IDLE GEAR	1							1

Remarks  
(1)Spare part.

Fig.8. TURBINE

(A)=4TNV98T-SIK  
(B)=  
(C)=

(D)=  
(E)=  
(F)=

No.	Lev.	Parts No.	Description	Q'ty						I	R
				(A)	(B)	(C)	(D)	(E)	(F)		
1	1	129935-18010	TURBOCHARGER, RHF5	1							
2	1	129472-18090	GASKET	1							
3	1	119131-18320	BOLT, STUD M8X22	4							
4	1	26306-080002	NUT, M8	4							

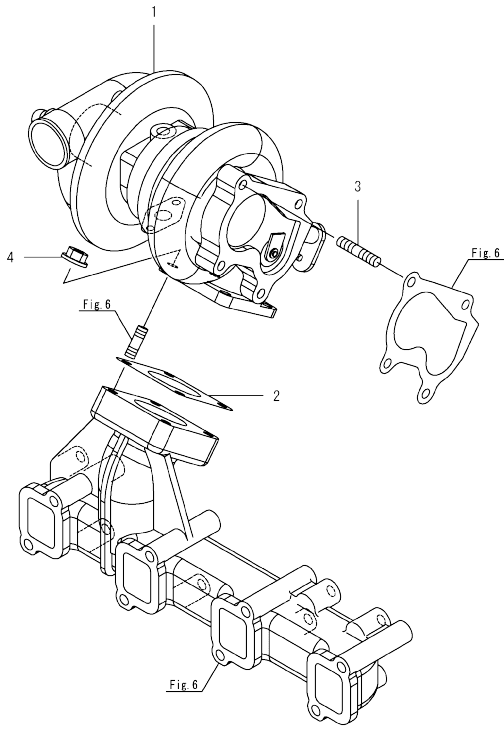
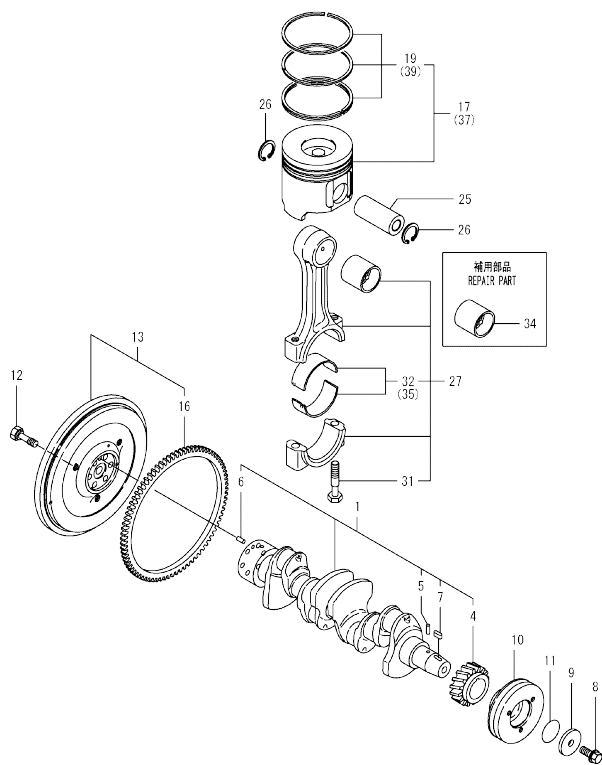


Fig.9. CRANKSHAFT & PISTON



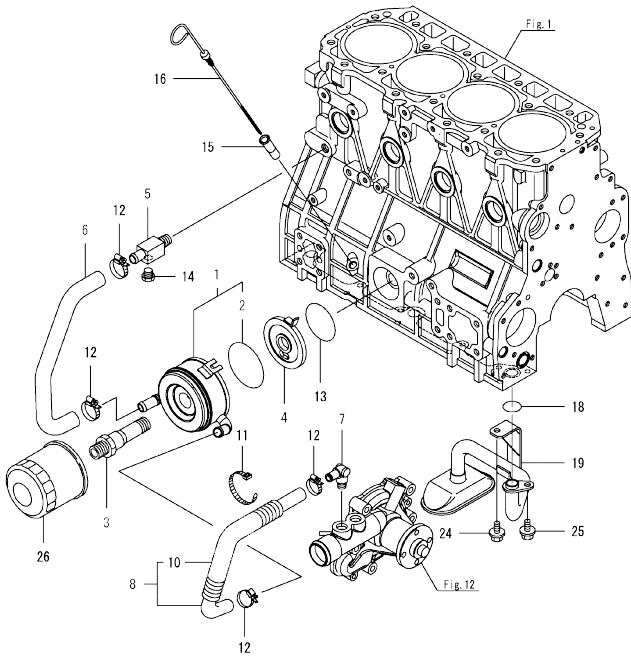
(A)=4TNV98T-SIK  
(B)=  
(C)=

(D)=  
(E)=  
(F)=

No.	Lev.	Parts No.	Description	Q'ty						I	R
				(A)	(B)	(C)	(D)	(E)	(F)		
1	1	129908-21000	CRANKSHAFT ASSY	1							
4	2	129900-21200	GEAR, CRANKSHAFT	1							
5	2	121850-21290	PIN	1							
6	2	121850-21920	PIN, PARALLEL 10X22	1							
7	1	22512-070140	KEY, 7X 14	1							
8	1	129916-21610	BOLT	1							
9	1	129960-21640	WASHER	1							
10	1	129907-21650	V-PULLEY, CRANK 130	1							
11	1	24341-000530	O-RING, 1AS53.0	1							
12	1	121850-21130	BOLT, FLYWHEEL	6							
13	1	129953-21560	FLYWHEEL ASSY	1							
16	2	129900-21600	GEAR, RING	1							
17	1	129908-22080	PISTON ASSY	4							
19	2	129907-22051	RING SET, PISTON	4							
25	1	120130-22301	PIN, PISTON	4							
26	1	22252-000300	RING, 30	8							
27	1	129900-23001	ROD ASSY, CONNECTING	4							
31	2	129900-23200	BOLT, CONNECTING ROD	8							
32	2	129900-23601	BEARING, CRANK PIN	4							
34	1	129900-23911	BEARING, PISTON PIN	4							1
35	1	129900-23611	BEARING ASSY, 0.25US	4							2
37	1	729908-22900	PISTON ASSY, 0.25 OS	4							3
39	2	729907-22950	RING SET, 0.25 OS	4							3

Remarks  
(1)Spare part.  
(2)Under-sized(U.S.=0.25)part.  
(3)Over-sized(O.S.=0.25)part.

Fig.10. LUB.OIL SYSTEM



(A)=4TNV98T-SIK  
(B)=  
(C)=

(D)=  
(E)=  
(F)=

No.	Lev.	Parts No.	Description	Q'ty						I	R
				(A)	(B)	(C)	(D)	(E)	(F)		
1	1	129908-33010	COOLER ASSY, OIL	1							
2	2	123912-33050	O-RING	1							
3	1	123912-33100	BOLT, COOLER	1							
4	1	129908-33101	BRACKET, OIL COOLER	1							
5	1	129006-44480	JOINT	1							
6	1	129908-49060	HOSE, WATER	1							
7	1	129466-49300	ELBOW, PT3/8	1							
8	1	123910-49600	HOSE ASSY WATER	1							
10	2	123910-49610	TUBE, CORRUGATED	1							
11	1	121750-59890	BAND, NYLON	1							
12	1	23000-025000	CLAMP, 25	4							
13	1	24321-000600	O-RING, 1AG60.0	1							
14	1	171056-49120	PLUG, DRAIN R1/4	1							
15	1	121520-34810	GUIDE, DIPSTICK	1							
16	1	129906-34851	DIPSTICK	1							
18	1	129900-32030	O-RING, P20	1							
19	1	129953-35000	PIPE ASSY, OIL INLET	1							
24	1	26106-080122	BOLT, M8X 12 PLATED	1							
25	1	26106-080162	BOLT, M8X 16 PLATED	1							
26	1	119005-35151	FILTER, D80X100	1							1

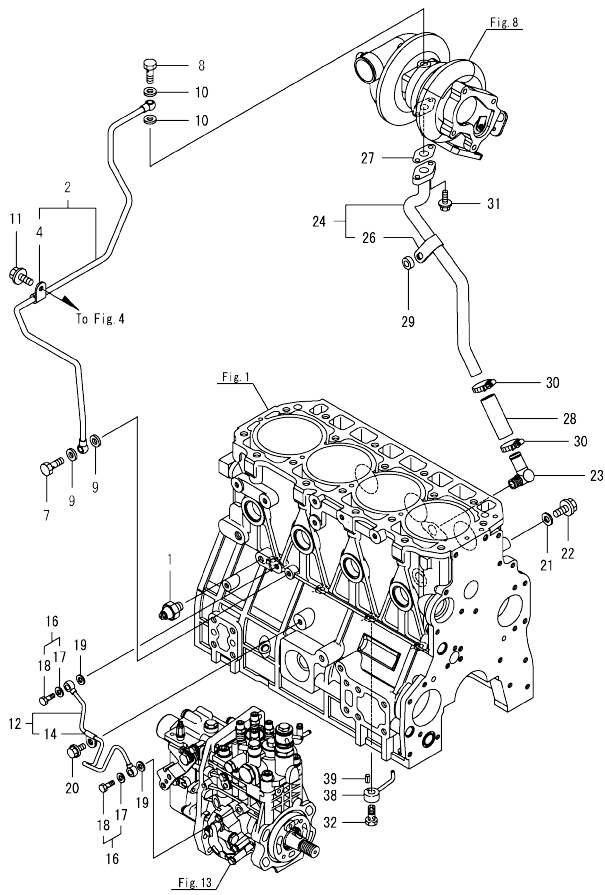
Remarks  
(1)Spare part.

OCD11-M17500 4TNV98T-SIK  
 Fig.11. LUB.OIL LINE

OCD11-M17500 Fig.11

(A)=4TNV98T-SIK  
 (B)=  
 (C)=

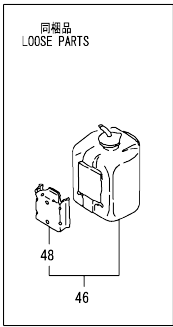
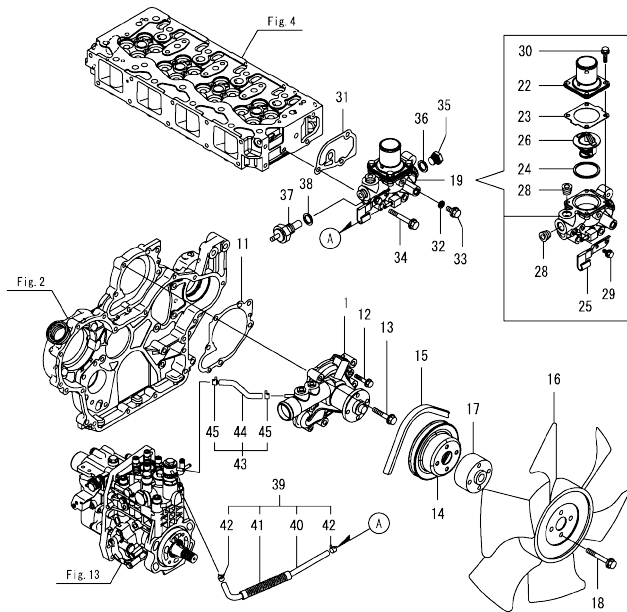
(D)=  
 (E)=  
 (F)=



No.	Lev.	Parts No.	Description	Q'ty						I	R
				(A)	(B)	(C)	(D)	(E)	(F)		
1	1	121252-39450	SWITCH, HYDRAULIC	1							
2	1	129935-39040	PIPE ASSY, OIL	1							
4	2	124223-39900	RETAINER	1							
7	1	105010-39140	BOLT, PIPE JOINT	1							
8	1	121252-39150	BOLT, JOINT M10X1.5	1							
9	1	22190-080002	WASHER, SEAL 6	2							
10	1	23414-100000	GASKET, 10X1.0	2							
11	1	26106-080122	BOLT, M8X 12 PLATED	1							
12	1	129907-39061	PIPE ASSY, OIL	1							
14	2	123907-39500	RETAINER, PIPE	1							
16	1	129005-59830	BOLT ASSY, JOINT M8	2							
17	2	22190-080002	WASHER, SEAL 6	2							
18	2	23857-030000	BOLT, JOINT 3	2							
19	1	22190-080002	WASHER, SEAL 6	2							
20	1	26106-080122	BOLT, M8X 12 PLATED	1							
21	1	22190-080002	WASHER, SEAL 6	2							
22	1	26106-080122	BOLT, M8X 12 PLATED	2							
23	1	124070-13300	ELBOW, PT3/8	1							
24	1	129935-39610	PIPE, OIL	1							
26	2	123910-39850	RETAINER	1							
27	1	129908-39690	GASKET	1							
28	1	123901-39820	HOSE, LO RETURN	1							
29	1	106500-44810	SPACER, PULLEY	1							
30	1	23000-025000	CLAMP, 25	2							
31	1	26106-060162	BOLT, M6X 16 PLATED	2							
32	1	129908-39410	VALVE ASSY, CHECK	4							
38	1	119000-39650	NOZZLE, COOLING	4							
39	1	22351-030010	PIN, SPRING 3.0X10	4							

N:Old  $\frac{100}{100}$  New, Q:Old  $\frac{100}{100}$  New, R:Old  $\frac{100}{100}$  New, S:Old  $\frac{100}{100}$  New, W:Add, Z:Discontinued, F:Interchangeable by set, K:Q'ty Change  
 Copyright (C) YANMAR GLOBAL CS CO., LTD. All Rights Reserved.

Fig.12. COOLING WATER SYSTEM



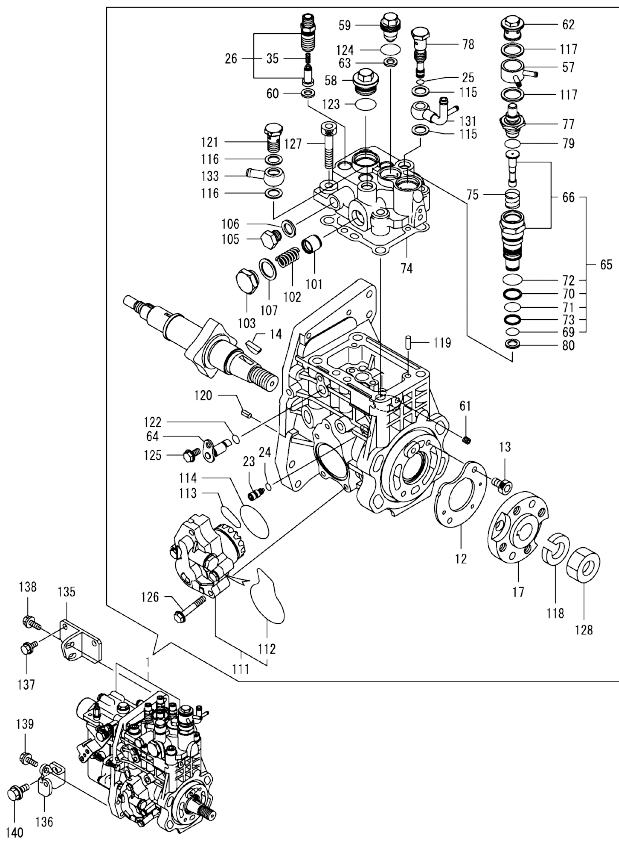
(A)=4TNV98T-SIK  
(B)=  
(C)=

(D)=  
(E)=  
(F)=

No.	Lev.	Parts No.	Description	Q'ty						I	R
				(A)	(B)	(C)	(D)	(E)	(F)		
1	1	129907-42001	PUMP ASSY, WATER	1							
11	1	129900-42020	GASKET, WATER PUMP	1							
12	1	26106-060302	BOLT, M6X 30 PLATED	2							
13	1	26106-080552	BOLT, M8X 55 PLATED	5							
14	1	129900-42462	V-PULLEY, PUMP	1							
15	1	25152-004100	V-BELT, A41	1							
16	1	129981-44740	FAN, COOLING D=450	1							
17	1	129981-44760	SPACER, FAN	1							
18	1	26013-080752	BOLT, M8X 75	4							
19	1	129907-49800	CASE ASSY, THERMOSTAT	1							
22	2	129916-49530	COVER, THERMOSTAT	1							
23	2	121850-49540	GASKET, THERMOSTAT	1							
24	2	121850-49550	GASKET, THERMOSTAT	1							
25	2	129907-49730	RETAINER, PIPE	1							
26	2	121850-49811	THERMOSTAT, 71C	1							
28	2	23875-030000	PLUG, R03	2							
29	2	26106-060122	BOLT, M6X 12 PLATED	1							
30	2	26106-060202	BOLT, M6X 20 PLATED	4							
31	1	129900-49870	GASKET, THERMOSTAT	1							
32	1	23414-080000	GASKET, 8X1.0	1							
33	1	26106-080122	BOLT, M8X 12 PLATED	1							
34	1	26106-080602	BOLT, M8X 60 PLATED	3							
35	1	121450-42450	PLUG, M16	1							
36	1	124465-44950	GASKET, 16	1							
37	1	171056-49351	SENSOR, WATER TEMP.	1							
38	1	129150-49360	GASKET	1							
39	1	129907-49610	HOSE ASSY, WATER	1							
40	2	129907-49710	HOSE, WATER	1							
41	2	129907-49750	TUBE, CORRUGATED	1							
42	2	124722-59050	CLAMP, HOSE 9	2							
43	1	129907-49620	HOSE ASSY, WATER	1							
44	2	129907-49720	HOSE, WATER	1							
45	2	124722-59050	CLAMP, HOSE 9	2							
46	1	720445-44200	TANK ASSY, SUB	1							
48	2	120445-44540	SUPPORT	1							



Fig.13. FUEL INJECTION PUMP



(A)=4TNV98T-SIK  
(B)=  
(C)=

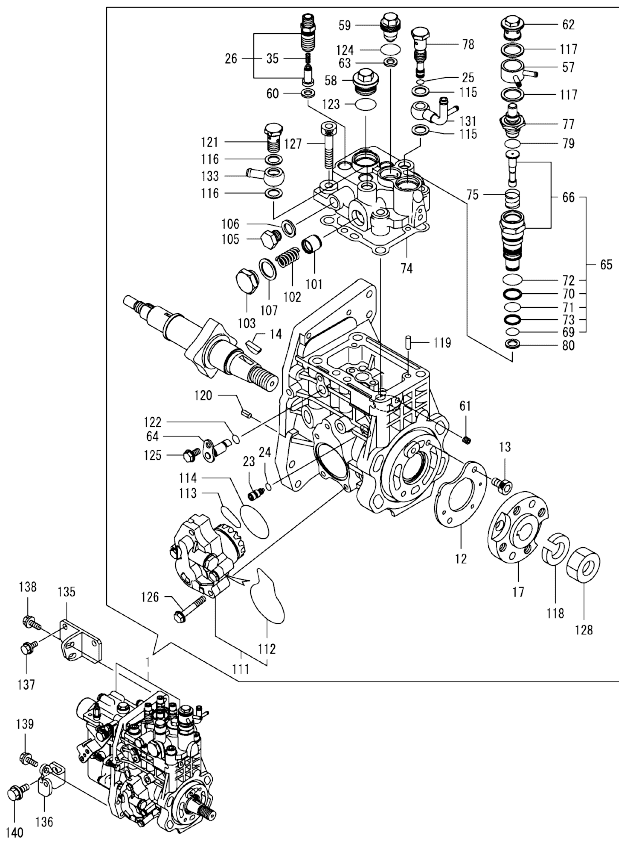
(D)=  
(E)=  
(F)=

No.	Lev.	Parts No.	Description	Q'ty						I	R
				(A)	(B)	(C)	(D)	(E)	(F)		
1	1	729933-51380	FIE ASSY	1							1
12	2	129928-51900	COVER	1							
13	2	129008-51920	BOLT, SOCKET M6X10	2							
14	2	144626-51090	FEATHER KEY, 5X19	1							
17	2	158563-51150	FLANGE	1							
23	2	158600-51270	STOPPER, TAPPET	1							
24	2	158563-51281	O-RING, 4D S6	1							
25	2	158563-51281	O-RING, 4D S6	1							
26	2	129509-51390	VALVE ASSY, DELIVERY	4							
35	3	158563-51330	SPRING, DELIVERY	4							
57	2	158553-51551	JOINT, COOLING WATER	1							
58	2	158601-51550	PLUG, M22	1							
59	2	129907-51560	PLUG, M16	1							
60	2	158552-51571	GASKET, PLUG	4							
61	2	158557-51570	PLUG, RACK	1							
62	2	158601-51570	PLUG	1							
63	2	129906-51580	GASKET, PLUG	1							
64	2	158552-51580	LIFTER, LINK	1							
65	2	119802-51590	TIMER ASSY	1							
66	3	119802-51600	TIMER ASSY	1							
69	3	158553-51670	O-RING	1							
70	3	119802-51680	RING, BACKUP	1							
71	3	119802-51690	O-RING	1							
72	3	24356-190200	O-RING, 4D19020	1							
73	3	24372-000150	RING, BACK UP T2P15	1							
74	2	158560-51600	GASKET	1							
75	2	158553-51630	SPRING, TIMER	1							
77	2	158553-51640	THERMOELEMENT	1							
78	2	158601-51650	JOINT, OVER FLOW	1							
79	2	158553-51660	O-RING, P14	1							
80	2	158553-51680	GASKET, TIMER	1							
101	2	158601-51770	PISTON, ACCUMULATOR	1							
102	2	158552-51781	SPRING, ACCUMULATOR	1							
103	2	158601-51790	PLUG	1							
105	2	158553-51930	PLUG, M12	1							
106	2	22190-120002	WASHER, SEAL 12	1							
107	2	22190-180002	WASHER, SEAL 18	1							
111	2	158552-52100	PUMP ASSY, FUEL FEED	1							
112	3	158552-52500	O-RING	1							
113	2	158552-52311	O-RING	1							
114	2	158552-52400	O-RING, 4E S42	1							
115	2	22190-120002	WASHER, SEAL 12	2							
116	2	22190-120002	WASHER, SEAL 12	2							
117	2	22190-180002	WASHER, SEAL 18	2							
118	2	22217-180000	WASHER, SPRING 18	1							
119	2	22312-050140	PIN, PARALLEL M5X14	2							
120	2	22351-050010	PIN, SPRING 5.0X10	2							
121	2	23857-060000	BOLT, JOINT 6	1							
122	2	24311-000070	O-RING, 1AP7.0	1							
123	2	24356-190200	O-RING, 4D19020	1							
124	2	24356-240210	O-RING, 4D24021	1							

Remarks  
(1)Governor(Fig.14)is incorporated in this Fuel Injection Pump (Ref.1).

N:Old  $\frac{New}{Old}$  New, Q:Old  $\frac{New}{Old}$  New, R:Old  $\frac{New}{Old}$  New, S:Old  $\frac{New}{Old}$  New, W:Add, Z:Discontinued, F:Interchangeable by set, K:Q'ty Change  
++ CONTINUE ++  
Copyright (C) YANMAR GLOBAL CS CO., LTD. All Rights Reserved.

Fig.13. FUEL INJECTION PUMP



(A)=4TNV98T-SIK  
(B)=  
(C)=

(D)=  
(E)=  
(F)=

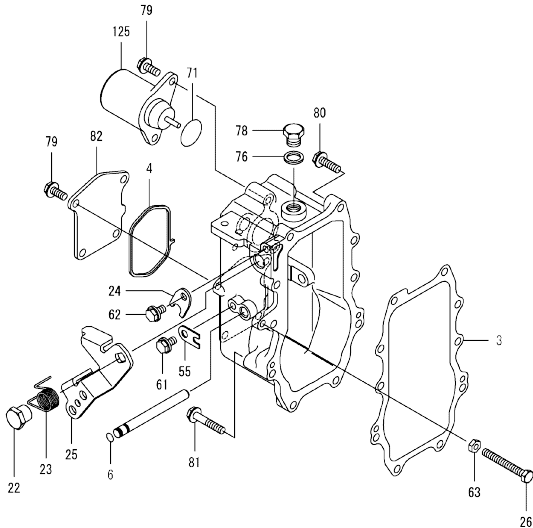
No.	Lev.	Parts No.	Description	Q'ty					
				(A)	(B)	(C)	(D)	(E)	(F)
125	2	26106-060102	BOLT, M6X 10 PLATED	1					
126	2	26106-060352	BOLT, M6X 35 PLATED	4					
127	2	26450-100452	BOLT, M10X 45	4					
128	2	26776-180002	NUT, LOCK M18	1					
131	2	158552-51670	JOINT, OVER FLOW	1					
133	2	129916-59020	JOINT, PIPE 12	1					
135	1	129907-01950	RETAINER, PUMP	1					
136	1	129907-01960	RETAINER, PUMP	1					
137	1	26106-080162	BOLT, M8X 16 PLATED	2					
138	1	26106-080222	BOLT, M8X 22 PLATED	2					
139	1	26106-080222	BOLT, M8X 22 PLATED	1					
140	1	26106-100202	BOLT, M10X 20 PLATED	1					

Remarks  
(1)Governor(Fig.14)is incorporated in this Fuel Injection Pump (Ref.1).

N:Old  $\frac{100}{100}$  New, Q:Old  $\frac{100}{100}$  New, R:Old  $\frac{100}{100}$  New, S:Old  $\frac{100}{100}$  New, W:Add, Z:Discontinued, F:Interchangeable by set, K:Q'ty Change  
Copyright (C) YANMAR GLOBAL CS CO., LTD. All Rights Reserved.

OCD11-M17500 4TNV98T-SIK  
 Fig.14. GOVERNOR

OCD11-M17500 Fig.14



(A)=4TNV98T-SIK  
 (B)=  
 (C)=

(D)=  
 (E)=  
 (F)=

No.	Lev.	Parts No.	Description	Q'ty					
				(A)	(B)	(C)	(D)	(E)	(F)
3	2	158560-61050	GASKET	1					
4	2	158560-61071	GASKET	1					
6	2	129155-51280	O-RING, S6	1					
22	2	129255-61410	NUT, M8	1					
23	2	119807-61420	SPRING, RETURN	1					
24	2	158560-61430	STOPPER, SHAFT	1					
25	2	158560-61442	LEVER, REGULATOR	1					
26	2	129155-61460	BOLT, LIMITING	1					
55	2	119660-61901	STOPPER, SHAFT	1					
61	2	26106-060102	BOLT, M6X 10 PLATED	1					
62	2	26106-060102	BOLT, M6X 10 PLATED	1					
63	2	26756-060002	NUT, LOCK M6	1					
71	2	158552-61900	O-RING	1					
76	2	22190-160002	WASHER, SEAL 16	1					
78	2	23887-160002	PLUG, 16	1					
79	2	26106-060142	BOLT, M6X 14 PLATED	6					
80	2	26106-060252	BOLT, M6X 25 PLATED	8					
81	2	26106-060402	BOLT, M6X 40 PLATED	2					
82	2	158560-61061	COVER, GOVERNOR CASE	1					
125	2	119233-77932	SOLENOID, STOP	1					

Remarks  
 \*This figure(Governor)is incorporated  
 in the Fuel Injection Pump (Fig.13).

N:Old  $\frac{100}{100}$  New. Q:Old  $\frac{100}{100}$  New. R:Old  $\frac{100}{100}$  New. S:Old  $\frac{100}{100}$  New. W:Add. Z:Discontinued. F:Interchangeable by set. K:Q'ty Change  
 Copyright (C) YANMAR GLOBAL CS CO., LTD. All Rights Reserved.

Fig.15. FUEL INJECTION VALVE

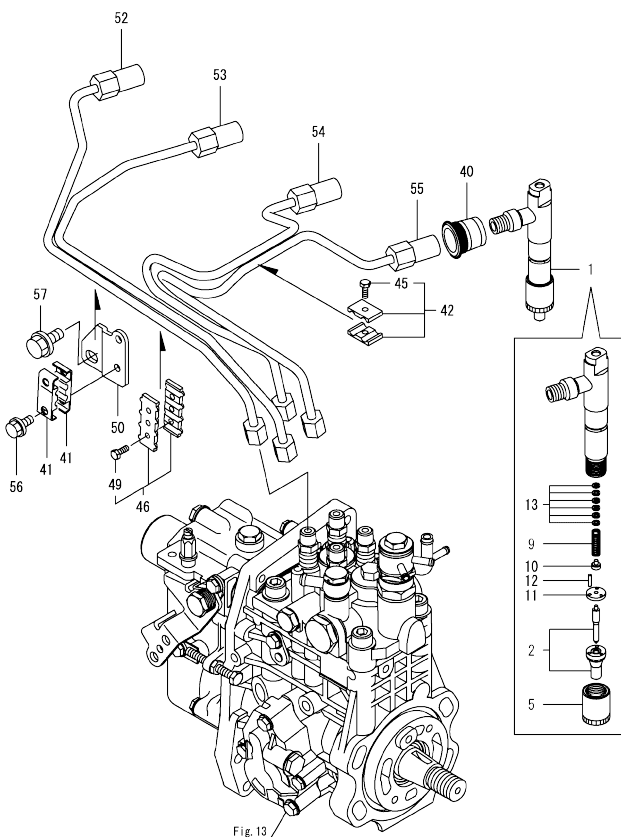
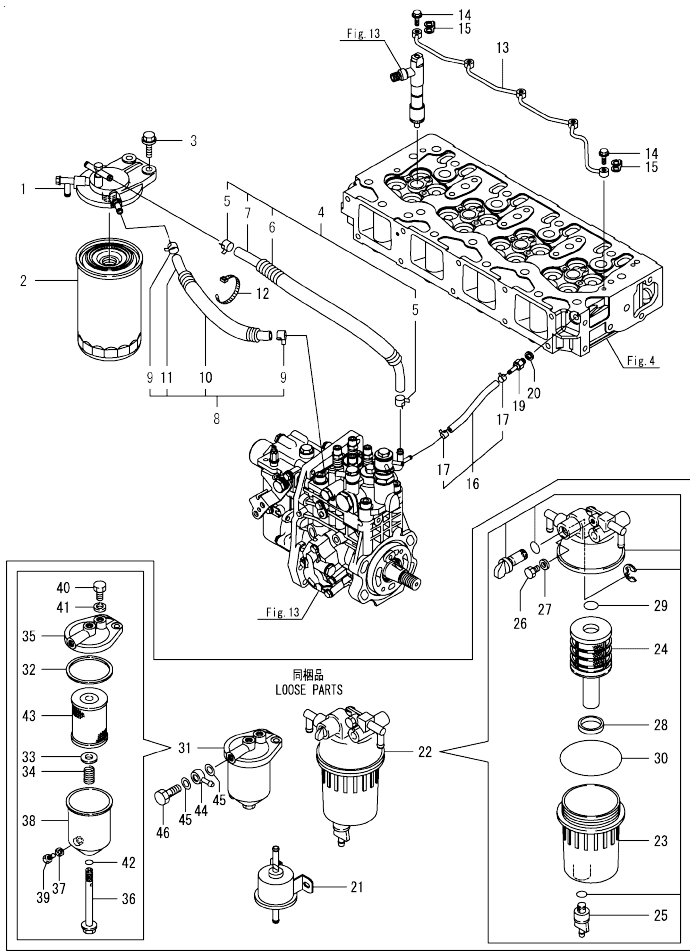


Fig. 13

No.	Lev.	Parts No.	Description	Q'ty					
				(A)	(B)	(C)	(D)	(E)	(F)
1	1	729933-53100	FUEL INJECTOR ASSY	4					
2	2	129933-53000	NOZZLE ASSY, F.I.	4					
5	2	114250-53080	NUT, NOZZLE	4					
9	2	114250-53120	SPRING, NOZZLE	4					
10	2	114250-53130	SEAT, SPRING	4					
11	2	114250-53140	SPACER	4					
12	2	114250-53210	PIN	8					
13	2	119803-53400	SHIM SET	4					
40	1	123907-11601	SEAL, PIPE	4					
41	1	122780-59100	RETAINER	2					
42	1	119305-59120	RETAINER, PIPE	1					
45	2	129150-59131	BOLT, M4X14	1					
46	1	129550-59120	RETAINER, PIPE	1					
49	2	129150-59131	BOLT, M4X14	2					
50	1	129907-59710	SUPPORT	1					
52	1	129908-59810	PIPE ASSY, INJECTION	1					
53	1	129908-59820	PIPE ASSY, INJECTION	1					
54	1	129908-59830	PIPE ASSY, INJECTION	1					
55	1	129908-59840	PIPE ASSY, INJECTION	1					
56	1	26106-060162	BOLT, M6X 16 PLATED	2					
57	1	26106-080182	BOLT, M8X 18 PLATED	1					

Fig.16. FUEL LINE

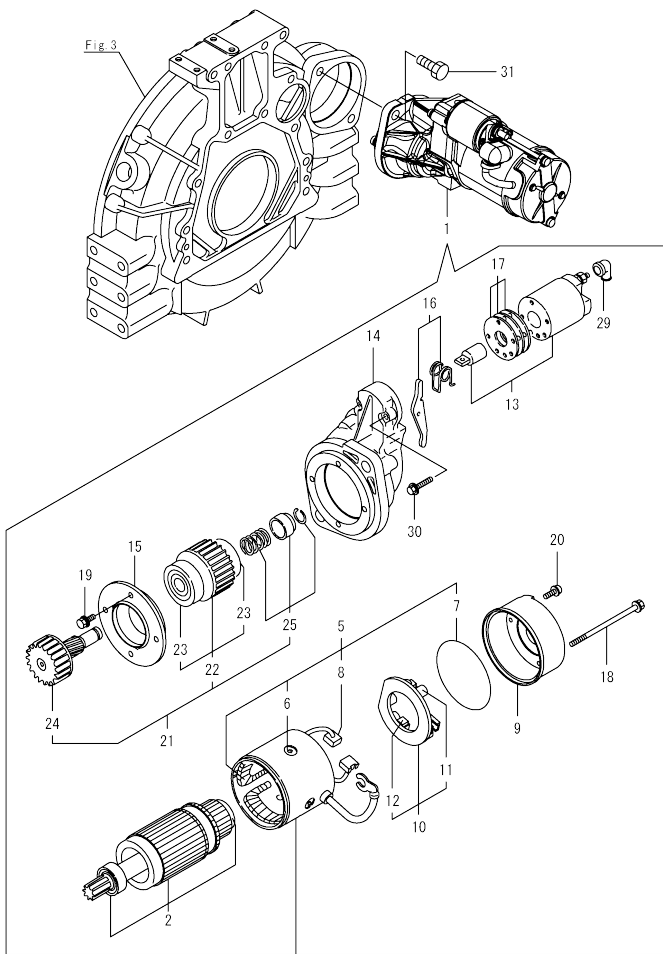


(A)=4TNV98T-SIK  
(B)=  
(C)=

(D)=  
(E)=  
(F)=

No.	Lev.	Parts No.	Description	(A)	(B)	(C)	(D)	(E)	(F)	I	R
1	1	129004-55612	BRACKET, FILTER	1							
2	1	129907-55801	FILTER, FUEL	1							
3	1	26106-080302	BOLT, M8X 30 PLATED	2							
4	1	129457-59010	HOSE ASSY, FUEL	1							
5	2	124766-59050	CLAMP, HOSE 11.5	2							
6	2	129957-59120	TUBE, CORRUGATED 15	1							
7	2	105025-59750	HOSE, FUEL	1							
8	1	129981-59010	HOSE ASSY, FUEL	1							
9	2	124766-59050	CLAMP, HOSE 11.5	2							
10	2	129950-59221	TUBE, CORRUGATED 15	1							
11	2	129980-59510	HOSE, FUEL	1							
12	1	121750-59890	BAND, NYLON	1							
13	1	129907-59140	PIPE ASSY, RETURN	1							
14	1	123907-59540	BOLT, PIPE JOINT M6	5							
15	1	123907-59550	GASKET	5							
16	1	129486-59551	HOSE ASSY, RETURN	1							
17	2	124722-59050	CLAMP, HOSE 9	2							
19	1	123907-59560	JOINT, HOSE	1							
20	1	22190-080002	WASHER, SEAL 6	1							
21	1	119225-52102	PUMP, FUEL FEED	1							
22	1	129242-55711	SEPARATOR ASSY,WATER	1							
23	2	129242-55720	CUP, SEPARATOR	1							
24	2	129242-55730	ELEMENT, FUEL	1							
25	2	129242-55740	PLUG, DRAIN	1							
26	2	129242-55750	VALVE, AIR VENT	1							
27	2	129242-55760	GASKET, PLUG	1							
28	2	129242-55770	FLOAT	1							
29	2	24311-000160	O-RING, 1AP16.0	1							
30	2	24321-000750	O-RING, 1AG75.0	1							
31	1	129065-55750	SEPARATOR ASSY,WATER	1							
32	2	123325-35140	GASKET	1							
33	2	123325-35160	WASHER	1							
34	2	123325-35170	SPRING	1							
35	2	129495-55610	BODY, STRAINER	1							
36	2	129495-55620	BOLT	1							
37	2	123672-55760	GASKET	1							
38	2	129065-55760	CASE, SEPARATOR	1							
39	2	129065-55770	PLUG, DRAIN M8	1							
40	2	129065-55800	PLUG, M14	1							
41	2	123678-55890	GASKET, PLUG	1							
42	2	24311-000120	O-RING, 1AP12.0	1							
43	2	41650-550800	ELEMENT, FUEL	1							
44	1	121855-59880	JOINT, PIPE	2							
45	1	22190-140002	WASHER, SEAL 14	4							
46	1	23857-080000	BOLT, JOINT 8	2							

Fig.17. STARTING MOTOR

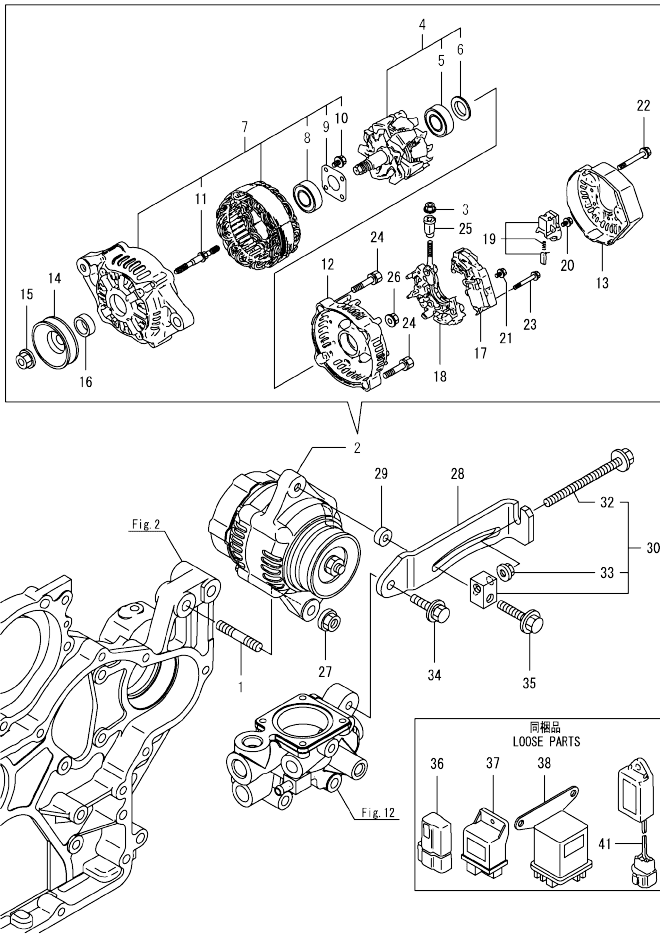


No.	Lev.	Parts No.	Description	Q'ty						I	R
				(A)	(B)	(C)	(D)	(E)	(F)		
1	1	129940-77011	STARTER ASSY	1							
2	2	129940-77100	ARMATURE ASSY	1							
5	2	129940-77130	COIL ASSY, FIELD	1							
6	3	129940-77140	SCREW, CORE SET	4							
7	3	129940-77150	O-RING	1							
8	3	129940-77160	BRUSH	2							
9	2	129940-77171	COVER	1							
10	2	129940-77181	HOLDER ASSY, BRUSH	1							
11	3	129940-77190	SPRING, BRUSH	1							
12	3	129940-77200	BRUSH	2							
13	2	129940-77210	SWITCH ASSY, MAGNET	1							
14	2	129940-77221	CASE, GEAR	1							
15	2	129940-77230	RETAINER, BEARING	1							
16	2	129940-77240	LEVER SET	1							
17	2	129940-77250	COVER KIT, DUST	1							
18	2	129940-77260	BOLT, THROUGH	2							
19	2	129940-77270	BOLT	4							
20	2	129940-77280	SCREW	2							
21	2	123900-77510	PINION ASSY	1							
22	3	123900-77520	CLUTCH ASSY	1							
23	4	X2240610100	BEARING, BALL	2							
24	3	123900-77540	SHAFT, PINION	1							
25	3	119131-77550	STOPPER SET, PINION	1							
29	2	121254-77810	COVER, TERMINAL	1							
30	2	114371-79070	BOLT	2							
31	1	26106-120252	BOLT, M12X 25 PLATED	2							

N:Old  $\frac{100}{100}$  New, Q:Old  $\frac{100}{100}$  New, R:Old  $\frac{100}{100}$  New, S:Old  $\frac{100}{100}$  New, W:Add, Z:Discontinued, F:Interchangeable by set, K:Qty Change  
 Copyright (C) YANMAR GLOBAL CS CO., LTD. All Rights Reserved.

OCD11-M17500 4TNV98T-SIK  
 Fig.18. GENERATOR

OCD11-M17500 Fig.18



(A)=4TNV98T-SIK  
 (B)=  
 (C)=

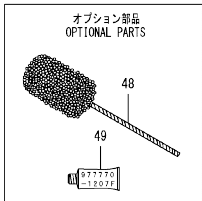
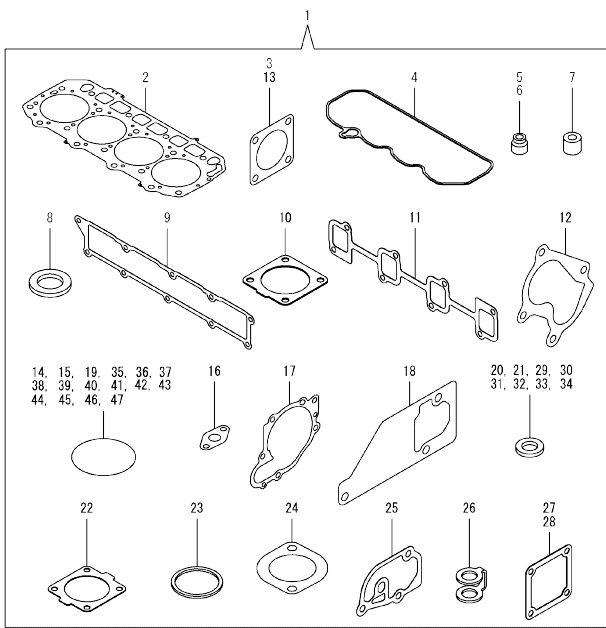
(D)=  
 (E)=  
 (F)=

No.	Lev.	Parts No.	Description	Q'ty						I	R
				(A)	(B)	(C)	(D)	(E)	(F)		
1	1	129795-01900	BOLT, STUD M10X33	1							
2	1	119626-77210	ALTERNATOR, 12V-55A	1							
3	2	X9490561001	NUT	1							
4	2	129052-77380	ROTOR ASSY	1							
5	3	123501-79240	BEARING, BALL	1							
6	3	119620-79250	COVER, BEARING	1							
7	2	129052-77422	FRAME ASSY	1							
8	3	119620-79200	BEARING, BALL	1							
9	3	119620-79210	RETAINER	1							
10	3	119620-79220	SCREW	4							
11	3	119620-79230	BOLT, STUD	2							
12	2	128401-77440	COVER	1							
13	2	119626-77450	FRAME	1							
14	2	119620-77461	PULLEY, GENERATOR	1							
15	2	119620-77471	NUT	1							
16	2	119620-77490	COLLAR	1							
17	2	129423-77710	REGULATOR ASSY	1							
18	2	129052-79260	HOLDER	1							
19	2	129052-79270	HOLDER, BRUSH	1							
20	2	119620-79290	SCREW	6							
21	2	119620-79300	SCREW	1							
22	2	119620-79310	BOLT	3							
23	2	119620-79320	SCREW	2							
24	2	119620-79330	BOLT	2							
25	2	119620-79340	BUSH, INSULATION	1							
26	2	119620-79350	NUT	2							
27	1	26306-100002	NUT, M10	1							
28	1	129906-77300	ADJUSTER, BELT	1							
29	1	121236-77340	SPACER	1							
30	1	119624-77351	BLOCK ASSY, ADJUSTER	1							
32	2	26106-081004	BOLT, M8X100 PLATED	1							
33	2	26306-080002	NUT, M8	1							
34	1	26014-080252	BOLT, M8X 25	1							
35	1	26106-080552	BOLT, M8X 55 PLATED	1							
36	1	119643-66900	DIODE	1							
37	1	119802-77200	RELAY, SAFETY	1							
38	1	119650-77911	RELAY ASSY, GLOW	1							
41	1	129211-77920	TIMER	1							

N:Old  $\frac{New}{Old}$  New. Q:Old  $\frac{New}{Old}$  New. R:Old  $\frac{New}{Old}$  New. S:Old  $\frac{New}{Old}$  New. W:Add. Z:Discontinued. F:Interchangeable by set. K:Qty Change  
 Copyright (C) YANMAR GLOBAL CS CO., LTD. All Rights Reserved.

OCD11-M17500 4TNV98T-SIK  
 Fig.19. GASKET SET

OCD11-M17500 Fig.19



Remarks  
 (1)Optional parts.

No.	Lev.	Parts No.	Description	Q'ty						I	R	
				(A)	(B)	(C)	(D)	(E)	(F)			
1	1	129908-92600	GASKET SET	1							1	
2	2	129907-01331	GASKET, HEAD	1								
3	2	129C26-01890	GASKET, HO-P	1								
4	2	129933-11310	GASKET, BONNET	1								
5	2	119803-11340	SEAL, VALVE STEM	8								
6	2	124160-11340	SEAL, VALVE STEM	8								
7	2	119802-11870	PROTECTOR, NOZZLE	4								
8	2	119625-11880	SEAT, NOZZLE	4								
9	2	129907-12110	GASKET, MANIFOLD	1								
10	2	129930-13201	GASKET, SILENCER	1								
11	2	129900-13251	GASKET, EXH.MANIFOLD	1								
12	2	123901-18080	GASKET	1								
13	2	129472-18090	GASKET	1								
14	2	129900-32030	O-RING, P20	2								
15	2	129900-32040	O-RING, P14	1								
16	2	129908-39690	GASKET	1								
17	2	129900-42020	GASKET, WATER PUMP	1								
18	2	129900-42061	GASKET, WATER PUMP	1								
19	2	129900-42140	O-RING, P36	2								
20	2	124465-44950	GASKET, 16	4								
21	2	129150-49360	GASKET	2								
22	2	121850-49540	GASKET, THERMOSTAT	1								
23	2	121850-49550	GASKET, THERMOSTAT	1								
24	2	129900-49560	GASKET	1								
25	2	129900-49870	GASKET, THERMOSTAT	1								
26	2	123907-59550	GASKET	5								
27	2	119129-77020	GASKET	1								
28	2	121850-77021	GASKET, AIR HEATER	1								
29	2	22190-080002	WASHER, SEAL 6	11								
30	2	22190-120002	WASHER, SEAL 12	1								
31	2	22190-220002	WASHER, SEAL 22	1								
32	2	22190-300002	WASHER, SEAL 30	1								
33	2	23414-080000	GASKET, 8X1.0	3								
34	2	23414-100000	GASKET, 10X1.0	2								
35	2	24311-000070	O-RING, 1AP7.0	1								
36	2	24311-000120	O-RING, 1AP12.0	8								
37	2	24311-000150	O-RING, 1AP15.0	1								
38	2	24311-000300	O-RING, 1AP30.0	1								
39	2	24311-000320	O-RING, 1AP32.0	3								
40	2	24311-240100	O-RING, 1AP10A	1								
41	2	24316-240100	O-RING, 4DP10A	1								
42	2	24321-000600	O-RING, 1AG60.0	1								
43	2	24321-000700	O-RING, 1AG70.0	1								
44	2	24321-000850	O-RING, 1AG85.0	1								
45	2	24341-000530	O-RING, 1AS53.0	1								
46	2	24351-030750	O-RING, 1A3075	1								
47	2	123912-33050	O-RING	1								
48	1	129400-92450	HONE, FLEX	1								1
49	1	977770-1207F	GASKET,LIQUID	1								1

N:Old  $\frac{100}{100}$  New, O:Old  $\frac{100}{100}$  New, R:Old  $\frac{100}{100}$  New, S:Old  $\frac{100}{100}$  New, W:Add, Z:Discontinued, F:Interchangeable by set, K:Qty Change  
 Copyright (C) YANMAR GLOBAL CS CO., LTD. All Rights Reserved.



## Parts No. Index

Parts No.	Fig. No.	Ref. No.
105010-39140	11	7
105025-59750	16	7
106500-44810	11	29
114250-53080	15	5
114250-53120	15	9
114250-53130	15	10
114250-53140	15	11
114250-53210	15	12
114371-79070	17	30
119000-39650	11	38
119005-35151	10	26
119005-77051	5	10
119006-03090	4	65
119100-11330	4	58
119117-12530	5	14
119117-12560	5	16
119117-12570	5	17
119129-77020	5	8
	19	27
119131-18320	8	3
119131-77550	17	25
119140-12680	5	19
119160-12540	5	15
119225-52102	16	21
119233-77932	14	125
119305-59120	15	42
119593-11301	4	30
119620-01750	3	5
119620-11180	4	15
119620-77461	18	14
119620-77471	18	15
119620-77490	18	16
119620-79200	18	8
119620-79210	18	9
119620-79220	18	10
119620-79230	18	11
119620-79250	18	6
119620-79290	18	20
119620-79300	18	21
119620-79310	18	22
119620-79320	18	23
119620-79330	18	24
119620-79340	18	25
119620-79350	18	26
119624-77351	18	30
119625-11880	4	26
	19	8
119626-77210	18	2
119626-77450	18	13
119640-01640	3	10

Parts No.	Fig. No.	Ref. No.
119643-66900	18	36
119650-77911	18	38
119660-61901	14	55
119802-11870	4	25
	19	7
119802-51590	13	65
119802-51600	13	66
119802-51680	13	70
119802-51690	13	71
119802-77200	18	37
119803-11340	4	16
	19	5
119803-53400	15	13
119807-61420	14	23
120130-22301	9	25
120445-44540	12	48
121236-77340	18	29
121252-39150	11	8
121252-39450	11	1
121254-77810	17	29
121450-42450	12	35
121520-34810	10	15
121750-59890	10	11
	16	12
121850-21130	9	12
121850-21290	9	5
121850-21920	9	6
121850-49540	12	23
	19	22
121850-49550	12	24
	19	23
121850-49811	12	26
121850-77021	5	9
	19	28
121855-59880	16	44
122780-59100	15	41
123325-35140	16	32
123325-35160	16	33
123325-35170	16	34
123501-79240	18	5
123672-55760	16	37
123678-55890	16	41
123900-13630	6	3
123900-25060	7	10
123900-77510	17	21
123900-77520	17	22
123900-77540	17	24
123901-03240	4	69
123901-03280	4	76
123901-18080	6	9

Parts No.	Fig. No.	Ref. No.
123901-18080	19	12
123901-39820	11	28
123907-11280	4	35
123907-11550	4	1
123907-11601	15	40
123907-11820	4	22
123907-11830	4	21
123907-39500	11	14
123907-59540	16	14
123907-59550	16	15
	19	26
123907-59560	16	19
123910-39850	11	26
123910-49600	10	8
123910-49610	10	10
123912-33050	10	2
	19	47
123912-33100	10	3
123944-12500	5	13
123951-18220	5	5
124070-13300	11	23
124160-01751	2	45
	4	50
124160-11340	4	17
	19	6
124160-11360	4	60
124223-39900	11	4
124240-01871	2	47
124465-44950	12	36
	19	20
124722-59050	12	42
	45	45
	16	17
124766-59050	16	5
	9	9
128401-77440	18	12
129004-55612	16	1
129005-59830	11	16
129006-44480	10	5
129008-51920	13	13
129052-77380	18	4
129052-77422	18	7
129052-79260	18	18
129052-79270	18	19
129065-55750	16	31
129065-55760	16	38
129065-55770	16	39
129065-55800	16	40
129100-01580	2	9
	3	1

Parts No.	Fig. No.	Ref. No.
129150-02450	7	4
129150-03100	4	67
129150-11230	4	38
	42	42
129150-11750	4	20
	39	39
	43	43
129150-14200	7	1
129150-25920	7	17
129150-49360	12	38
	19	21
129150-59131	15	45
	49	49
129155-51280	14	6
129155-61460	14	26
129211-77920	18	41
129242-55711	16	22
129242-55720	16	23
129242-55730	16	24
129242-55740	16	25
129242-55750	16	26
129242-55760	16	27
129242-55770	16	28
129255-61410	14	22
129400-92450	19	48
129410-03990	4	77
129418-18320	6	4
129423-77710	18	17
129457-59010	16	4
129466-49300	10	7
129472-18090	8	2
	19	13
129486-59551	16	16
129495-55610	16	35
129495-55620	16	36
129509-51390	13	26
129550-59120	15	46
129612-12650	5	18
129795-01900	18	1
129900-01200	1	28
129900-01250	1	5
129900-02020	1	7
129900-02341	1	34
129900-02410	1	10
129900-02931	1	25
129900-02941	1	37
129900-13251	6	2
	19	11
129900-14100	7	7
129900-21200	9	4

## Parts No. Index

Parts No.	Fig. No.	Ref. No.	Parts No.	Fig. No.	Ref. No.	Parts No.	Fig. No.	Ref. No.	Parts No.	Fig. No.	Ref. No.
129900-21600	9	16	129907-22051	9	19	129935-03270	4	74	158552-52311	13	113
129900-23001	9	27	129907-25900	7	16	129935-13100	6	1	158552-52400	13	114
129900-23200	9	31	129907-39061	11	12	129935-13500	6	5	158552-52500	13	112
129900-23601	9	32	129907-42001	12	1	129935-13600	6	6	158552-61900	14	71
129900-23611	9	35	129907-49610	12	39	129935-13630	6	8	158553-51551	13	57
129900-23911	9	34	129907-49620	12	43	129935-18010	8	1	158553-51630	13	75
129900-25100	7	11	129907-49710	12	40	129935-18350	5	7	158553-51640	13	77
129900-32030	2	32	129907-49720	12	44	129935-39040	11	2	158553-51660	13	79
	10	18	129907-49730	12	25	129935-39610	11	24	158553-51670	13	69
	19	14	129907-49750	12	41	129940-77011	17	1	158553-51680	13	80
129900-32040	2	33	129907-49800	12	19	129940-77100	17	2	158553-51930	13	105
	19	15	129907-51560	13	59	129940-77130	17	5	158557-51570	13	61
129900-42020	12	11	129907-55801	16	2	129940-77140	17	6	158560-51600	13	74
	19	17	129907-59140	16	13	129940-77150	17	7	158560-61050	14	3
129900-42061	19	18	129907-59710	15	50	129940-77160	17	8	158560-61061	14	82
129900-42140	19	19	129908-01500	2	12	129940-77171	17	9	158560-61071	14	4
129900-42462	12	14	129908-03099	4	66	129940-77181	17	10	158560-61430	14	24
129900-49560	19	24	129908-03230	4	68	129940-77190	17	11	158560-61442	14	25
129900-49870	12	31	129908-03240	4	70	129940-77200	17	12	158563-51150	13	17
	19	25	129908-03250	4	71	129940-77210	17	13	158563-51281	13	24
129906-34851	10	16	129908-11700	4	2	129940-77221	17	14			25
129906-51580	13	63	129908-14581	7	3	129940-77230	17	15	158563-51330	13	35
129906-77300	18	28	129908-21000	9	1	129940-77240	17	16	158600-51270	13	23
129907-01190	1	30	129908-22080	9	17	129940-77250	17	17	158601-51550	13	58
129907-01331	1	29	129908-32060	2	19	129940-77260	17	18	158601-51570	13	62
	19	2	129908-33010	10	1	129940-77270	17	19	158601-51650	13	78
129907-01950	13	135	129908-33101	10	4	129940-77280	17	20	158601-51770	13	101
129907-01960	13	136	129908-39410	11	32	129944-12111	5	2	158601-51790	13	103
129907-03011	4	52	129908-39690	11	27	129949-13620	6	7	171031-11741	2	50
129907-03061	4	53		19	16	129950-59221	16	10	171051-01921	1	6
129907-03070	4	54	129908-49060	10	6	129951-01740	2	10	171056-49120	10	14
129907-07900	4	63	129908-59810	15	52	129953-01620	3	2	171056-49351	12	37
129907-11100	4	12	129908-59820	15	53	129953-21560	9	13	22190-080002	11	9
129907-11110	4	13	129908-59830	15	54	129953-25300	7	15			17
129907-11120	4	14	129908-59840	15	55	129953-35000	10	19			19
129907-11250	4	32	129908-92600	19	1	129957-59120	16	6			21
129907-11260	4	33	129916-01710	3	9	129960-03990	4	78		16	20
129907-11270	4	34	129916-01790	3	8	129960-21640	9	9		19	29
129907-11341	4	31	129916-01800	2	3	129980-59510	16	11	22190-120002	13	106
129907-11510	4	18	129916-21610	9	8	129981-44740	12	16			115
129907-11650	4	36	129916-49530	12	22	129981-44760	12	17			116
129907-11660	4	40	129916-59020	13	133	129981-59010	16	8		19	30
129907-11800	4	82	129927-42140	2	33 A	129C26-01890	2	48	22190-140002	16	45
129907-11910	4	27	129928-51900	13	12		19	3	22190-160002	14	76
129907-11920	4	44	129930-13201	19	10	144626-51090	13	14	22190-180002	13	107
129907-11950	4	28	129933-11310	4	57	158552-51571	13	60			117
129907-12110	5	1		19	4	158552-51580	13	64	22190-220002	3	12
	19	9	129933-11320	4	51	158552-51670	13	131		19	31
129907-14400	7	2	129933-53000	15	2	158552-51781	13	102	22190-300002	19	32
129907-21650	9	10	129935-03260	4	73	158552-52100	13	111	22217-180000	13	118

## Parts No. Index

Parts No.	Fig. No.	Ref. No.
22252-000300	9	26
22312-050140	13	119
22351-030010	11	39
22351-050010	13	120
22351-060012	1	11
22512-070140	7	8
	9	7
22857-500100	4	59
23000-022000	4	79
23000-025000	10	12
	11	30
23000-054000	5	6
23414-080000	12	32
	19	33
23414-100000	11	10
	19	34
23857-030000	11	18
23857-060000	13	121
23857-080000	16	46
23875-030000	12	28
23876-020000	4	9
23876-030000	1	12
	13	
	14	
	4	10
23887-160002	14	78
24311-000070	2	34
	13	122
	19	35
24311-000120	4	29
	61	
	16	42
	19	36
24311-000150	19	37
24311-000160	16	29
24311-000300	19	38
24311-000320	2	46
	51	
	4	62
	19	39
24311-240100	19	40
24316-240100	19	41
24321-000600	10	13
	19	42
24321-000700	19	43
24321-000750	16	30
24321-000850	19	44
24341-000530	9	11
	19	45
24351-030750	2	35

Parts No.	Fig. No.	Ref. No.
24351-030750	19	46
24356-190200	13	72
		123
24356-240210	13	124
24372-000150	13	73
25152-004100	12	15
26013-080752	12	18
26014-080202	6	10
26014-080222	6	11
26014-080252	18	34
26106-060102	13	125
	14	61
		62
26106-060122	12	29
26106-060142	14	79
26106-060162	11	31
	15	56
26106-060202	12	30
26106-060252	14	80
26106-060302	12	12
26106-060352	13	126
26106-060402	14	81
26106-080122	3	13
	4	80
	10	24
	11	11
		20
		22
	12	33
26106-080142	4	81
26106-080162	2	36
	4	49
	4	64
	6	12
	7	9
	10	25
	13	137
26106-080182	15	57
26106-080202	2	37
		38
	6	13
26106-080222	13	138
		139
26106-080302	16	3
26106-080402	2	39
	4	46
26106-080452	2	40
		41
	5	3
26106-080552	7	14

Parts No.	Fig. No.	Ref. No.
26106-080552	12	13
	18	35
26106-080602	4	47
		48
	12	34
26106-080702	2	42
	5	11
26106-080752	2	43
26106-080802	5	4
26106-080902	5	12
26106-081004	18	32
26106-100202	13	140
26106-120252	17	31
26116-050102	4	72
26206-100352	3	6
26206-100702	3	7
26216-100302	2	31
26226-080222	4	45
26306-080002	4	49
	6	14
	8	4
	18	33
26306-100002	2	44
	18	27
26450-100452	13	127
26756-060002	14	63
26776-180002	13	128
27241-300000	1	15
27241-400000	4	11
27310-070001	4	23
41650-550800	16	43
720445-44200	12	46
729900-02801	1	31
729906-01550	2	1
729907-22950	9	39
729908-01560	1	1
729908-22900	9	37
729933-51380	13	1
729933-53100	15	1
977770-1207F	19	49
X2240610100	17	23
X9490561001	18	3

Parts No.	Fig. No.	Ref. No.
-----------	----------	----------