

0CD50-M03380EN

# P R E F A C E

This parts catalog is the 1st edition of 4TNV98T-SBF for Bell equipment co SA (PTY)ltd.

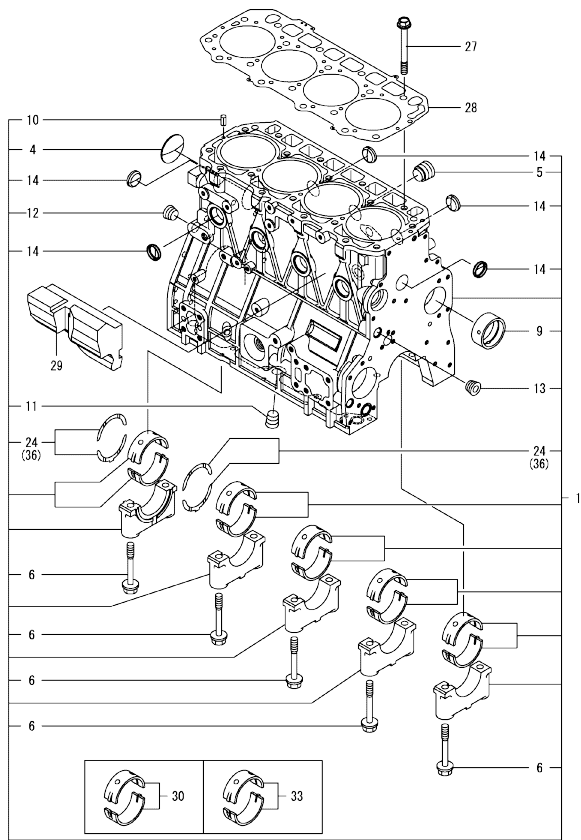
Published : September, 2017

## Contents

OCD50-M03380

Fig. No.	Fig. Name	Fig. No.	Fig. Name
ENGINE			
1.	CYLINDER BLOCK		
2.	GEAR HOUSING		
3.	FLYWHEEL HOUSING & OIL SUMP		
4.	CYLINDER HEAD & BONNET		
5.	SUCTION MANIFOLD		
6.	EXHAUST MANIFOLD & SILENCER		
7.	CAMSHAFT & DRIVING GEAR		
8.	TURBINE		
9.	CRANKSHAFT & PISTON		
10.	LUB. OIL SYSTEM		
11.	LUB. OIL PIPE		
12.	COOLING WATER SYSTEM		
13.	FUEL INJECTION PUMP		
14.	GOVERNOR		
15.	FUEL INJECTION VALVE		
16.	FUEL PIPE		
17.	STARTER MOTOR		
18.	GENERATOR		
19.	ACCESSORY		

Fig.1. CYLINDER BLOCK



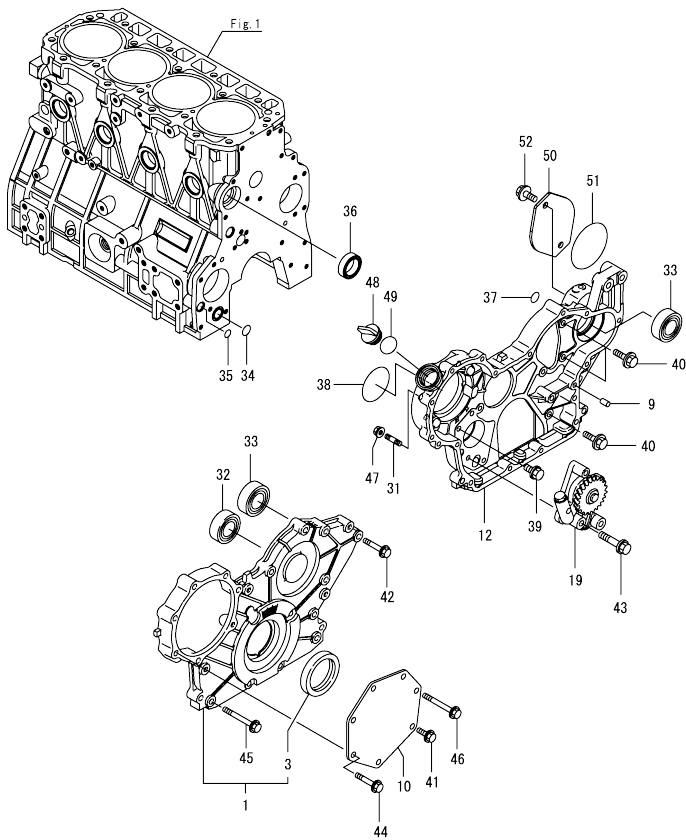
(A)=4TNV98T-SBF  
(B)=  
(C)=

(D)=  
(E)=  
(F)=

No.	Lev.	Parts No.	Description	Q'ty						I	R
				(A)	(B)	(C)	(D)	(E)	(F)		
1	1	729908-01560	BLOCK ASSY, CYLINDER	1							
4	2	129900-01250	PLUG, DISH TYPE 55	1							
5	2	171051-01921	PLUG, NPTF1	1							
6	2	129900-02020	BOLT, METAL CAP	10							
9	2	129900-02410	BUSH, CAMSHAFT	1							
10	2	22351-060012	PIN, SPRING 6.0X12	2							
11	2	23876-030000	PLUG, R03	1							
12	2	23876-030000	PLUG, R03	1							
13	2	23876-030000	PLUG, R03	1							
14	2	27241-300000	PLUG 30	8							
24	2	129927-02930	BEARING ASSY, THRUST	2							
27	1	129900-01200	BOLT, CYLINDER HEAD	18							
28	1	129907-01331	GASKET, HEAD	1							
29	1	129907-01190	SPACER	1							
30	1	729900-02801	BEARING, MAIN	5							1
33	1	129900-02341	BEARING ASSY, MAIN	5							2
36	1	129900-02941	BEARING, THRUST 0.25	2							3

Remarks  
 (1) Spare parts.  
 (2) Under-sized (U.S.=0.25) parts.  
 (3) Over-sized (O.S.=0.25) parts.

Fig.2. GEAR HOUSING

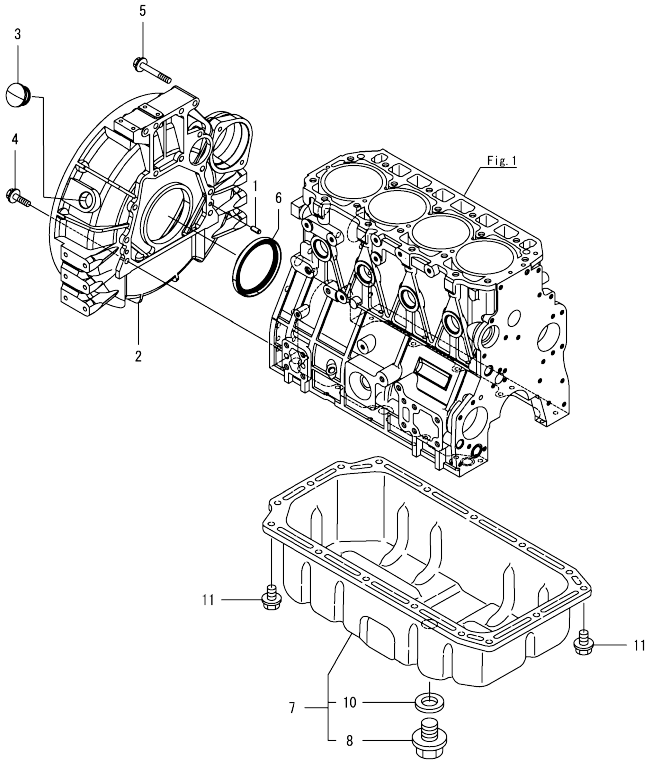


(A)=4TNV98T-SBF  
(B)=  
(C)=

(D)=  
(E)=  
(F)=

No.	Lev.	Parts No.	Description	Qty						I	R
				(A)	(B)	(C)	(D)	(E)	(F)		
1	1	729906-01550	COVER ASSY,GEAR CASE	1							
3	2	129916-01800	SEAL, OIL	1							
9	1	129100-01580	PIN, PARALLEL 8X16	4							
10	1	129951-01740	COVER	1							
12	1	129933-01500	CASE, GEAR	1							
19	1	129908-32060	PUMP ASSY, OIL	1							
31	1	26216-100302	STUD, M10X 30	4							
32	1	129900-14140	BEARING, BALL 6205	1							
33	1	129900-26250	BEARING, BALL 6206C3	2							
34	1	129900-32030	O-RING, P20	1							
35	1	129900-32040	O-RING, P14	1							
36	1	129927-42140	GASKET, CW-P OUT	1							
37	1	24311-000070	O-RING, 1AP7.0	1							
38	1	24351-030750	O-RING, 1A3075	1							
39	1	26106-080162	BOLT, M8X 16 PLATED	1							
40	1	26106-080202	BOLT, M8X 20 PLATED	3							
41	1	26106-080202	BOLT, M8X 20 PLATED	1							
42	1	26106-080402	BOLT, M8X 40 PLATED	5							
43	1	26106-080452	BOLT, M8X 45 PLATED	3							
44	1	26106-080452	BOLT, M8X 45 PLATED	5							
45	1	26106-080702	BOLT, M8X 70 PLATED	6							
46	1	26106-080752	BOLT, M8X 75 PLATED	1							
47	1	26306-100002	NUT, M10	4							
48	1	124160-01751	CAP, FILLER	1							
49	1	24311-000320	O-RING, 1AP32.0	1							
50	1	121023-26071	COVER, PUMP	1							
51	1	24321-000850	O-RING, 1AG85.0	1							
52	1	26106-100202	BOLT, M10X 20 PLATED	2							

Fig.3. FLYWHEEL HOUSING & OIL SUMP

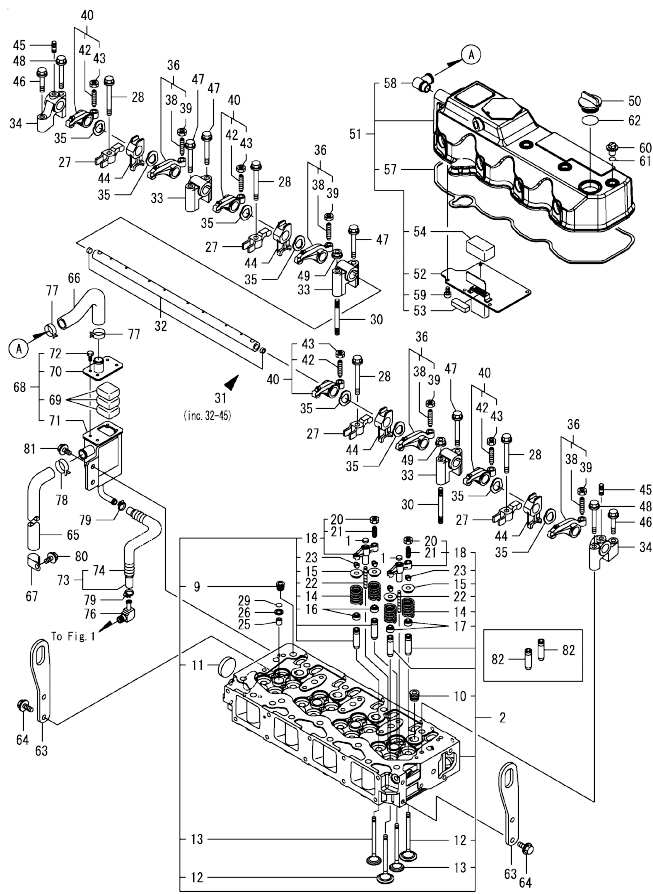


(A)=4TNV98T-SBF  
(B)=  
(C)=

(D)=  
(E)=  
(F)=

No.	Lev.	Parts No.	Description	Q'ty					
				(A)	(B)	(C)	(D)	(E)	(F)
1	1	129100-01580	PIN, PARALLEL 8X16	2					
2	1	129981-01600	HOUSING, FLYWHEEL	1					
3	1	119620-01750	CAP	1					
4	1	26206-100352	BOLT, M10X 35 PLATED	9					
5	1	26206-100702	BOLT, M10X 70 PLATED	4					
6	1	129916-01790	SEAL, D115/95XT11	1					
7	1	129916-01710	OIL PAN ASSY	1					
8	2	119640-01640	PLUG, DRAIN M22	1					
10	2	22190-220002	WASHER, SEAL 22	1					
11	1	26106-080122	BOLT, M8X 12 PLATED	16					

Fig.4. CYLINDER HEAD & BONNET



(A)=4TNV98T-SBF  
(B)=  
(C)=

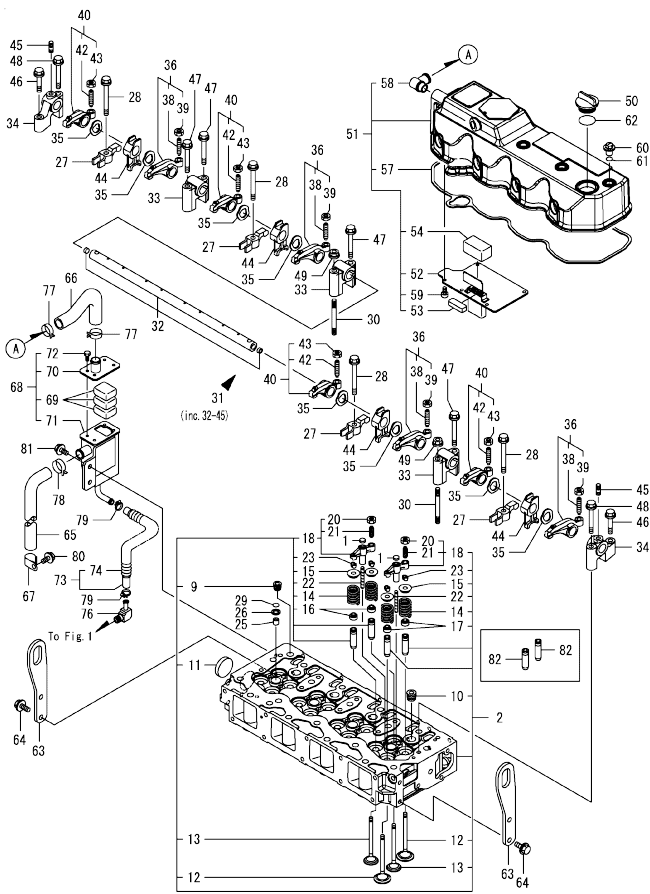
(D)=  
(E)=  
(F)=

No.	Lev.	Parts No.	Description	Q'ty						I	R
				(A)	(B)	(C)	(D)	(E)	(F)		
1	1	123907-11550	SEAT, VALVE BRIDGE	8							
2	1	129908-11700	HEAD ASSY, CYLINDER	1							
9	2	23876-020000	PLUG, R02	1							
10	2	23876-030000	PLUG, R03	4							
11	2	27241-400000	PLUG, 40	1							
12	2	129907-11100	VALVE, SUCTION	8							
13	2	129907-11110	VALVE, EXHAUST	8							
14	2	129907-11120	SPRING, VALVE	16							
15	2	119620-11180	RETAINER, SPRING	16							
16	2	119803-11340	SEAL, VALVE STEM	8							
17	2	124160-11340	SEAL, VALVE STEM	8							
18	2	129907-11510	BRIDGE ASSY, VALVE	8							
20	3	129150-11750	NUT, M8	8							
21	3	123907-11830	ADJUSTER	8							
22	2	123907-11820	GUIDE, BRIDGE	8							
23	2	27310-070001	COTTER, 7	16							
25	1	119802-11870	PROTECTOR, NOZZLE	4							
26	1	119625-11880	SEAT, NOZZLE	4							
27	1	129907-11910	RETAINER, NOZZLE	4							
28	1	129907-11950	BOLT, M8X75	4							
29	1	24311-000120	O-RING, 1AP12.0	4							
30	1	119593-11301	BOLT, STUD M8X80	2							
31	1	129907-11341	SHAFT ASSY, ROCKER	1							
32	2	129907-11250	SHAFT, ROCKER ARM	1							
33	2	129907-11260	SUPPORT, ROCKER ARM	3							
34	2	129907-11270	SUPPORT, ROCKER ARM	2							
35	2	123907-11280	WASHER	8							
36	2	129907-11650	ARM ASSY, ROCKER	4							
38	3	129150-11230	SCREW, VALVE ADJUST	4							
39	3	129150-11750	NUT, M8	4							
40	2	129907-11660	ARM ASSY, ROCKER	4							
42	3	129150-11230	SCREW, VALVE ADJUST	4							
43	3	129150-11750	NUT, M8	4							
44	2	129907-11920	RETAINER, NOZZLE	4							
45	2	26226-080222	STUD, M8X 22	2							
46	1	26106-080402	BOLT, M8X 40 PLATED	2							
47	1	26106-080602	BOLT, M8X 60 PLATED	4							
48	1	26106-080602	BOLT, M8X 60 PLATED	2							
49	1	26306-080002	NUT, M8	2							
50	1	124160-01751	CAP, FILLER	1							
51	1	129933-11320	BONNET ASSY, HEAD	1							
52	2	129907-03011	PLATE, BAFFLE	1							
53	2	129907-03061	BAFFLE, BREATHER	1							
54	2	129907-03070	BAFFLE, BREATHER	1							
57	2	129933-11310	GASKET, BONNET	1							
58	2	119100-11330	ELBOW, BREATHER	1							
59	2	22857-500100	SCREW, 5X10	6							
60	1	124160-11360	KNOB	4							
61	1	24311-000120	O-RING, 1AP12.0	4							
62	1	24311-000320	O-RING, 1AP32.0	1							
63	1	129907-07900	LIFTER, ENGINE	2							

Remarks  
(1)Spare parts.

N:Old <sup>REV</sup>/<sub>REV</sub> New, Q:Old <sup>REV</sup>/<sub>REV</sub> New, R:Old <sup>REV</sup>/<sub>REV</sub> New, S:Old <sup>REV</sup>/<sub>REV</sub> New, W:Add, Z:Discontinued, F:Interchangeable by set, K:Q'ty Change  
 ++ CONTINUE ++  
 Copyright (C) 2017 YANMAR GLOBAL CS CO., LTD. All Rights Reserved.

Fig.4. CYLINDER HEAD & BONNET



(A)=4TNV98T-SBF  
(B)=  
(C)=

(D)=  
(E)=  
(F)=

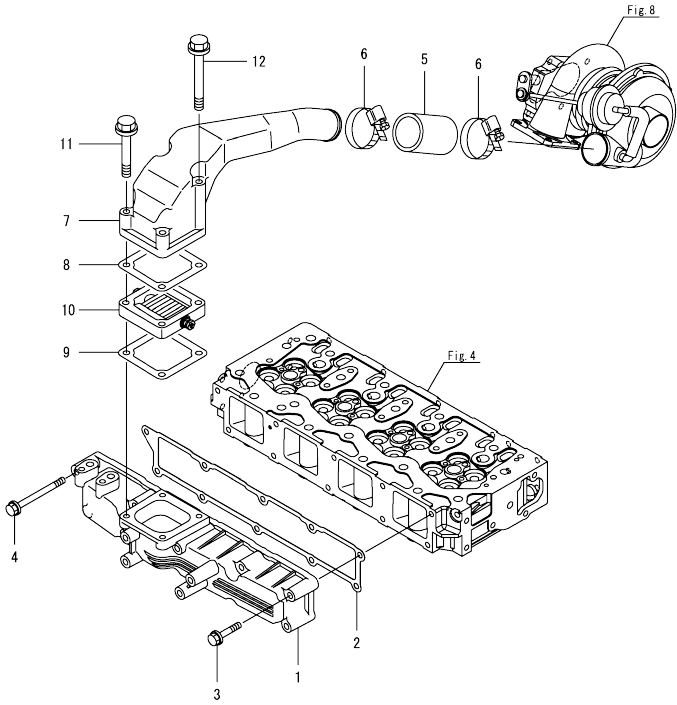
No.	Lev.	Parts No.	Description	Q'ty						I	R
				(A)	(B)	(C)	(D)	(E)	(F)		
64	1	26106-080162	BOLT, M8X 16 PLATED	4							
65	1	119006-03090	HOSE, BREATHER	1							
66	1	129908-03099	HOSE, BREATHER	1							
67	1	129150-03100	RETAINER, PIPE	1							
68	1	129908-03230	BREATHER ASSY	1							
69	2	123901-03240	FILTER	3							
70	2	129908-03240	COVER, BREATHER	1							
71	2	129908-03250	BREATHER	1							
72	2	26116-050102	BOLT, M5X 10 PLATED	4							
73	1	129935-03260	HOSE ASSY, RETURN	1							
74	2	129935-03270	TUBE, CORRUGATED	1							
76	1	123901-03280	ELBOW, PT3/8-10	1							
77	1	129410-03990	CLAMP, HOSE 21.5	2							
78	1	129960-03990	CLAMP, HOSE 19.8	1							
79	1	23000-022000	CLAMP, 22	2							
80	1	26106-080122	BOLT, M8X 12 PLATED	1							
81	1	26106-080142	BOLT, M8X 14 PLATED	2							
82	1	129907-11800	GUIDE, VALVE	16							1

Remarks

(1) Spare parts.



Fig.5. SUCTION MANIFOLD

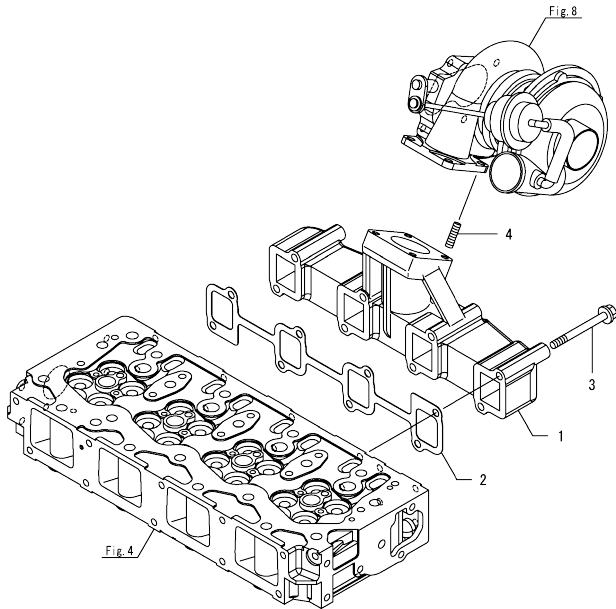


(A)=4TNV98T-SBF  
(B)=  
(C)=

(D)=  
(E)=  
(F)=

No.	Lev.	Parts No.	Description	Q'ty						I	R
				(A)	(B)	(C)	(D)	(E)	(F)		
1	1	129907-12100	MANIFOLD, AIR INTAKE	1							
2	1	129907-12110	GASKET, MANIFOLD	1							
3	1	26106-080552	BOLT, M8X 55 PLATED	9							
4	1	26106-080852	BOLT, M8X 85 PLATED	1							
5	1	123951-18220	JOINT, RUBBER	1							
6	1	23000-054000	CLAMP, 54	2							
7	1	129908-18350	DUCT, AIR	1							
8	1	119129-77020	GASKET	1							
9	1	121850-77021	GASKET, AIR HEATER	1							
10	1	119005-77051	HEATER, AIR	1							
11	1	26106-080702	BOLT, M8X 70 PLATED	2							
12	1	26106-081202	BOLT, M8X120 PLATED	2							

Fig.6. EXHAUST MANIFOLD & SILENCER

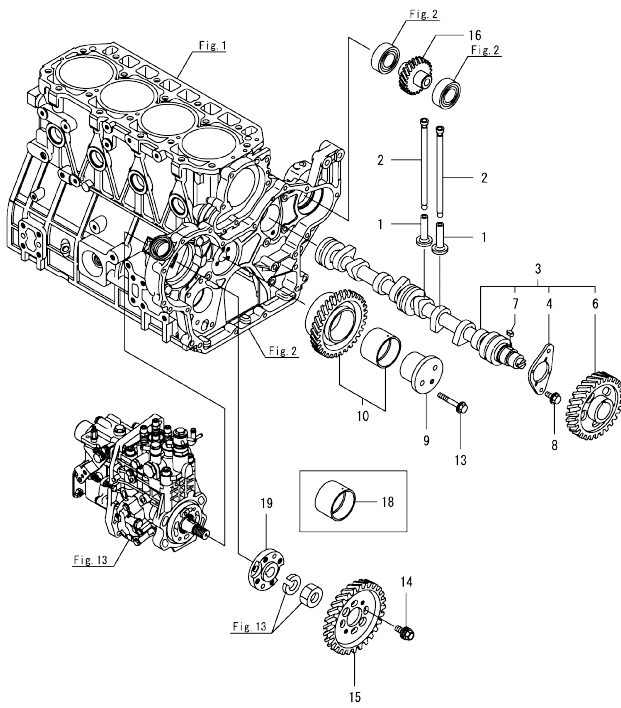


(A)=4TNV98T-SBF  
(B)=  
(C)=

(D)=  
(E)=  
(F)=

No.	Lev.	Parts No.	Description	Q'ty						I	R
				(A)	(B)	(C)	(D)	(E)	(F)		
1	1	129908-13100	MANIFOLD, EXHAUST	1							
2	1	129900-13251	GASKET, EXH.MANIFOLD	1							
3	1	129E00-13640	BOLT, M8X80 10.9T	8							
4	1	129418-18320	BOLT, STUD M8X20	4							

Fig.7. CAMSHAFT & DRIVING GEAR



(A)=4TNV98T-SBF  
(B)=  
(C)=

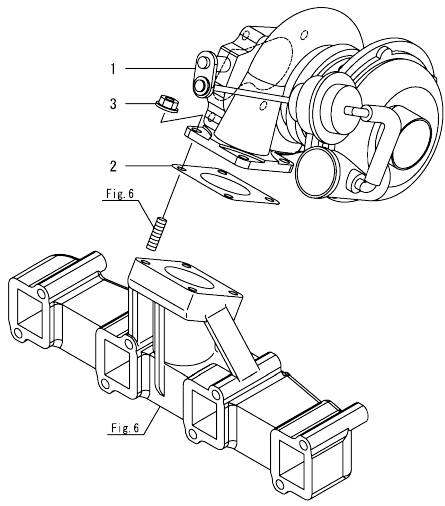
(D)=  
(E)=  
(F)=

No.	Lev.	Parts No.	Description	Q'ty						I	R
				(A)	(B)	(C)	(D)	(E)	(F)		
1	1	129150-14200	TAPPET	8							
2	1	129907-14400	PUSH-ROD	8							
3	1	129908-14590	CAMSHAFT ASSY	1							
4	2	129150-02450	BEARING, THRUST	1							
6	2	129900-14110	GEAR, CAMSHAFT	1							
7	2	22512-070140	KEY, 7X 14	1							
8	1	26106-080142	BOLT, M8X 14 PLATED	2							
9	1	123900-25060	SHAFT, IDLE GEAR	1							
10	1	129927-25110	GEAR ASSY, IDLE	1							
13	1	26106-080552	BOLT, M8X 55 PLATED	3							
14	1	129953-25300	BOLT	4							
15	1	129907-25900	GEAR, PUMP	1							
16	1	129900-26030	GEAR ASSY, PUMP	1							
18	1	129150-25920	BUSH, IDLE GEAR	1							1
19	1	158563-51150	FLANGE	1							

Remarks

(1)Spare parts.

OCD50-M03380 ENGINE  
Fig.8. TURBINE



OCD50-M03380 Fig.8

(A)=4TNV98T-SBF  
(B)=  
(C)=

(D)=  
(E)=  
(F)=

No.	Lev.	Parts No.	Description	Q'ty					
				(A)	(B)	(C)	(D)	(E)	(F)
1	1	129908-18011	TURBOCHARGER, RHF5	1					
2	1	129472-18090	GASKET	1					
3	1	26306-080002	NUT, M8	4					

---

---

---

---

---

---

---

---

---

---

---

---

---

---

---

---

---

---

---

---

---

---

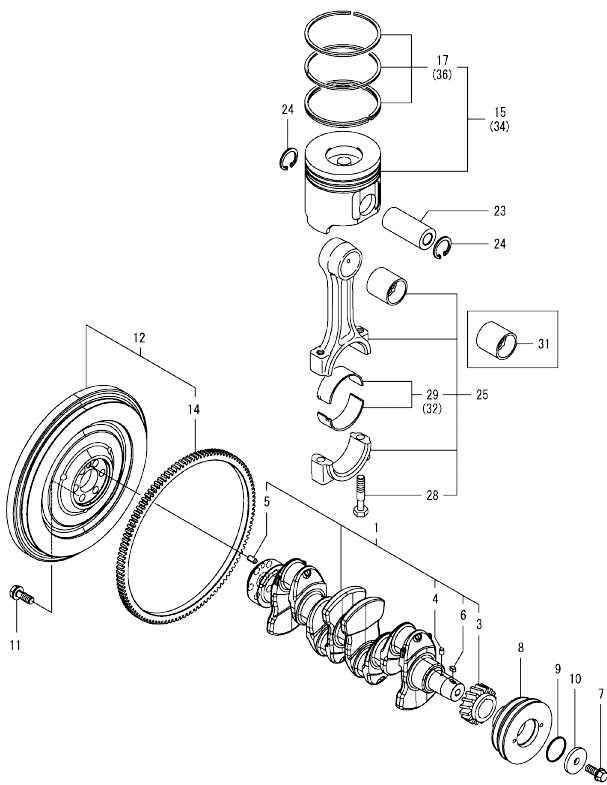
---

---

---

N:Old  $\frac{100}{100}$  New, Q:Old  $\frac{100}{100}$  New, R:Old  $\frac{100}{100}$  New, S:Old  $\frac{100}{100}$  New, W:Add, Z:Discontinued, F:Interchangeable by set, K:Q'ty Change  
Copyright (C) 2017 YANMAR GLOBAL CS CO., LTD. All Rights Reserved.

Fig.9. CRANKSHAFT & PISTON



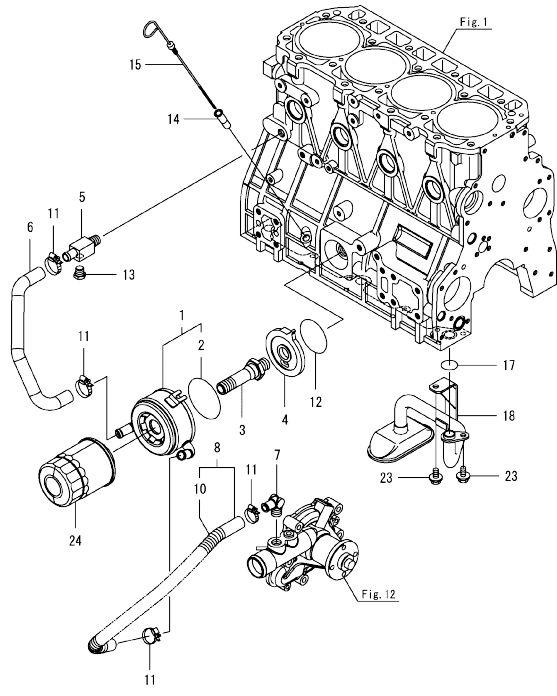
(A)=4TNV98T-SBF  
(B)=  
(C)=

(D)=  
(E)=  
(F)=

No.	Lev.	Parts No.	Description	Q'ty						I	R
				(A)	(B)	(C)	(D)	(E)	(F)		
1	1	129908-21100	CRANKSHAFT ASSY	1							
3	2	129900-21220	GEAR, CRANKSHAFT	1							
4	2	121850-21290	PIN	1							
5	2	121850-21920	PIN, PARALLEL 10X22	1							
6	2	22512-070140	KEY, 7X 14	1							
7	1	129916-21610	BOLT	1							
8	1	129916-21680	V-PULLEY, CRANKSHAFT	1							
9	1	129960-21930	GASKET, WASHER	1							
10	1	129960-21940	WASHER, V-PULLEY	1							
11	1	121850-21130	BOLT, FLYWHEEL	6							
12	1	129907-21580	FLYWHEEL ASSY	1							
14	2	129900-21600	GEAR, RING	1							
15	1	129908-22080	PISTON ASSY	4							
17	2	129907-22051	RING SET, PISTON	4							
23	1	120130-22301	PIN, PISTON	4							
24	1	22252-000300	RING, 30	8							
25	1	129900-23001	ROD ASSY, CONNECTING	4							
28	2	129900-23200	BOLT, CONNECTING ROD	8							
29	2	129927-23600	BEARING ASSY, PIN	4							
31	1	129900-23911	BEARING, PISTON PIN	4							1
32	1	129900-23611	BEARING ASSY, 0.25US	4							2
34	1	729908-22900	PISTON ASSY, 0.25 OS	4							3
36	2	729907-22950	RING SET, 0.25 OS	4							3

Remarks  
(1)Spare parts.  
(2)Under-sized(U.S.=0.25) parts.  
(3)Over-sized(O.S.=0.25) parts.

Fig.10. LUB. OIL SYSTEM



(A)=4TNV98T-SBF  
(B)=  
(C)=

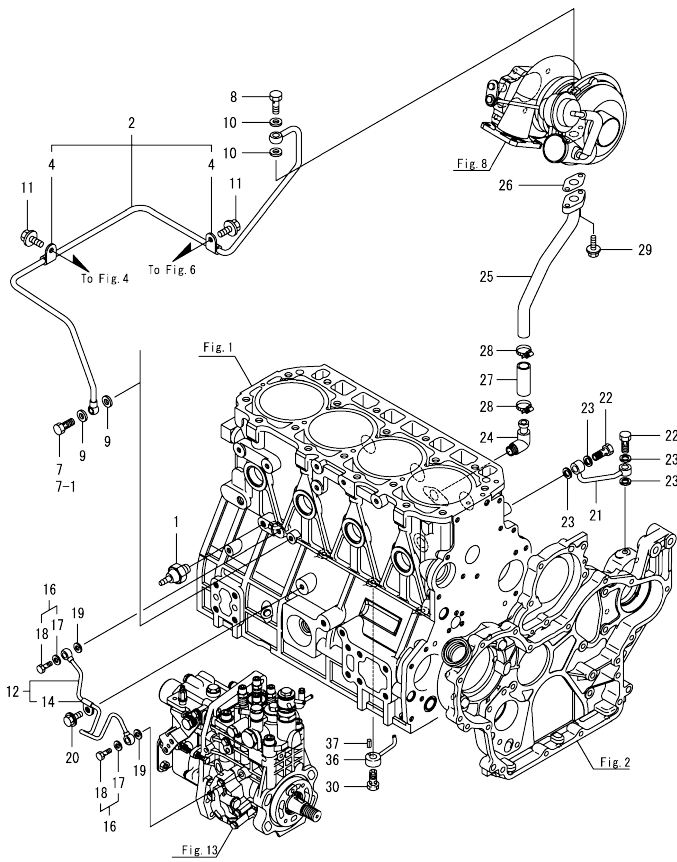
(D)=  
(E)=  
(F)=

No.	Lev.	Parts No.	Description	Q'ty						I	R
				(A)	(B)	(C)	(D)	(E)	(F)		
1	1	129908-33010	COOLER ASSY, OIL	1							
2	2	123912-33050	O-RING	1							
3	1	123912-33100	BOLT, COOLER	1							
4	1	129908-33101	BRACKET, OIL COOLER	1							
5	1	129006-44480	JOINT	1							
6	1	129908-49060	HOSE, WATER	1							
7	1	129466-49300	ELBOW, PT3/8	1							
8	1	123910-49600	HOSE ASSY WATER	1							
10	2	123910-49610	TUBE, CORRUGATED	1							
11	1	23000-025000	CLAMP, 25	4							
12	1	24321-000600	O-RING, 1AG60.0	1							
13	1	171056-49120	PLUG, DRAIN R1/4	1							
14	1	129953-34830	DIPSTICK	1							
15	1	121520-34810	GUIDE, DIPSTICK	1							
17	1	129900-32030	O-RING, P20	1							
18	1	129953-35000	PIPE ASSY, OIL INLET	1							
23	1	26106-080122	BOLT, M8X 12 PLATED	2							
24	1	119005-35151	FILTER, D80X100	1							1

Remarks

(1)Spare parts.

Fig.11. LUB. OIL PIPE



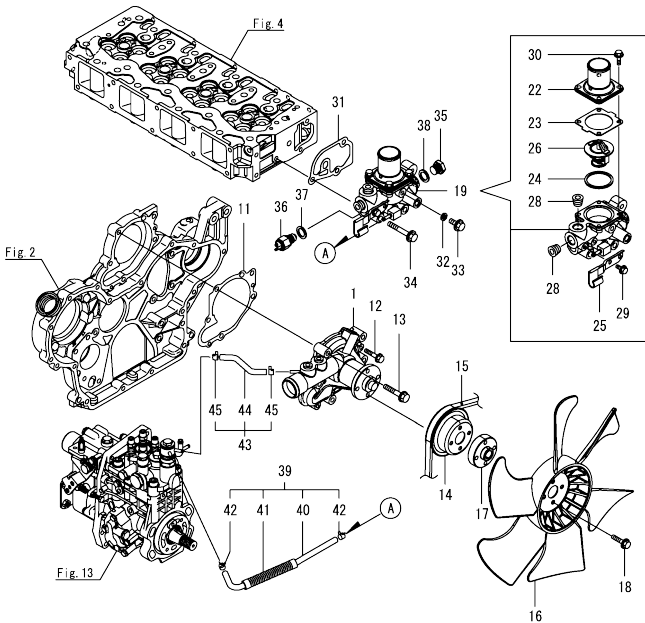
(A)=4TNV98T-SBF  
(B)=  
(C)=

(D)=  
(E)=  
(F)=

No.	Lev.	Parts No.	Description	Q'ty						I	R
				(A)	(B)	(C)	(D)	(E)	(F)		
1	1	114250-39450	SWITCH, HYDRAULIC	1							
2	1	129908-39070	PIPE ASSY, OIL	1							
4	2	124223-39900	RETAINER	2							
7	1	105010-39140	BOLT, PIPE JOINT	1							
7-1	1	129198-59540	BOLT, PIPE JOINT M8	1							S
(A=E174443)											
8	1	121252-39150	BOLT, JOINT M10X1.5	1							
9	1	22190-080002	WASHER, SEAL 8	2							
10	1	23414-100000	GASKET, 10X1.0	2							
11	1	26106-080122	BOLT, M8X 12 PLATED	2							
12	1	129907-39061	PIPE ASSY, OIL	1							
14	2	123907-39500	RETAINER, PIPE	1							
16	1	129005-59830	BOLT ASSY, JOINT M8	2							
17	2	22190-080002	WASHER, SEAL 8	2							
18	2	23857-030000	BOLT, JOINT 3	2							
19	1	22190-080002	WASHER, SEAL 8	2							
20	1	26106-080122	BOLT, M8X 12 PLATED	1							
21	1	129930-39050	PIPE, OIL	1							
22	1	105010-39140	BOLT, PIPE JOINT	2							
23	1	22190-080002	WASHER, SEAL 8	4							
24	1	124070-13300	ELBOW, PT3/8	1							
25	1	129908-39610	PIPE, OIL	1							
26	1	129908-39690	GASKET	1							
27	1	123901-39820	HOSE, LO RETURN	1							
28	1	23000-025000	CLAMP, 25	2							
29	1	26106-060162	BOLT, M6X 16 PLATED	2							
30	1	129908-39410	VALVE ASSY, CHECK	4							
36	1	119000-39650	NOZZLE, COOLING	4							
37	1	22351-030010	PIN, SPRING 3.0X10	4							

N:Old  $\frac{100}{100}$  New, Q:Old  $\frac{100}{100}$  New, R:Old  $\frac{100}{100}$  New, S:Old  $\frac{100}{100}$  New, W:Add, Z:Discontinued, F:Interchangeable by set, K:Q'ty Change  
Copyright (C) 2017 YANMAR GLOBAL CS CO., LTD. All Rights Reserved.

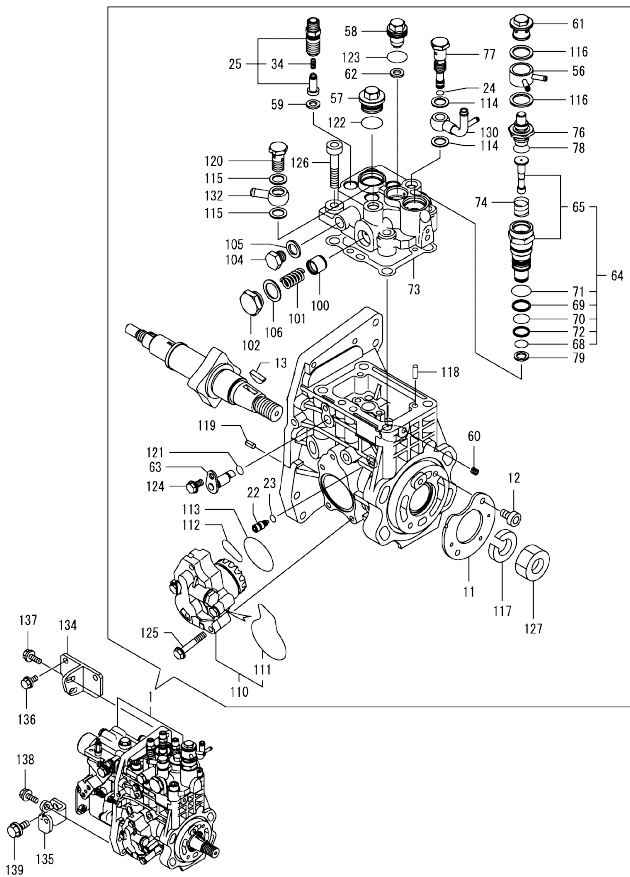
Fig.12. COOLING WATER SYSTEM



No.	Lev.	Parts No.	Description	Qty						I	R
				(A)	(B)	(C)	(D)	(E)	(F)		
1	1	129907-42002	PUMP ASSY, CW LOW	1							
11	1	129900-42020	GASKET, WATER PUMP	1							
12	1	26106-060302	BOLT, M6X 30 PLATED	2							
13	1	26106-080552	BOLT, M8X 55 PLATED	5							
14	1	129900-42450	V-PULLEY, C.W.PUMP	1							
15	1	25152-004300	V-BELT, A43	1							
16	1	129916-44740	FAN, COOLING D=430	1							
17	1	119130-44760	SPACER, FAN	1							
18	1	26106-080302	BOLT, M8X 30 PLATED	4							
19	1	129907-49800	CASE ASSY,THERMOSTAT	1							
22	2	129916-49530	COVER, THERMOSTAT	1							
23	2	121850-49540	GASKET, THERMOSTAT	1							
24	2	121850-49550	GASKET, THERMOSTAT	1							
25	2	129907-49730	RETAINER, PIPE	1							
26	2	121850-49811	THERMOSTAT, 71C	1							
28	2	23875-030000	PLUG, R03	2							
29	2	26106-060122	BOLT, M6X 12 PLATED	1							
30	2	26106-060202	BOLT, M6X 20 PLATED	4							
31	1	129900-49870	GASKET, THERMOSTAT	1							
32	1	23414-080000	GASKET, 8X1.0	1							
33	1	26106-080122	BOLT, M8X 12 PLATED	1							
34	1	26106-080602	BOLT, M8X 60 PLATED	3							
35	1	121450-42450	PLUG, M16	1							
36	1	121250-44901	SWITCH, THERMO 110	1							
37	1	124465-44950	GASKET, 16	1							
38	1	124465-44950	GASKET, 16	1							
39	1	129907-49610	HOSE ASSY, WATER	1							
40	2	129907-49710	HOSE, WATER	1							
41	2	129907-49750	TUBE, CORRUGATED	1							
42	2	124722-59050	CLAMP, HOSE 9	2							
43	1	129907-49620	HOSE ASSY, WATER	1							
44	2	129907-49720	HOSE, WATER	1							
45	2	124722-59050	CLAMP, HOSE 9	2							



Fig.13. FUEL INJECTION PUMP



(A)=4TNV98T-SBF  
(B)=  
(C)=

(D)=  
(E)=  
(F)=

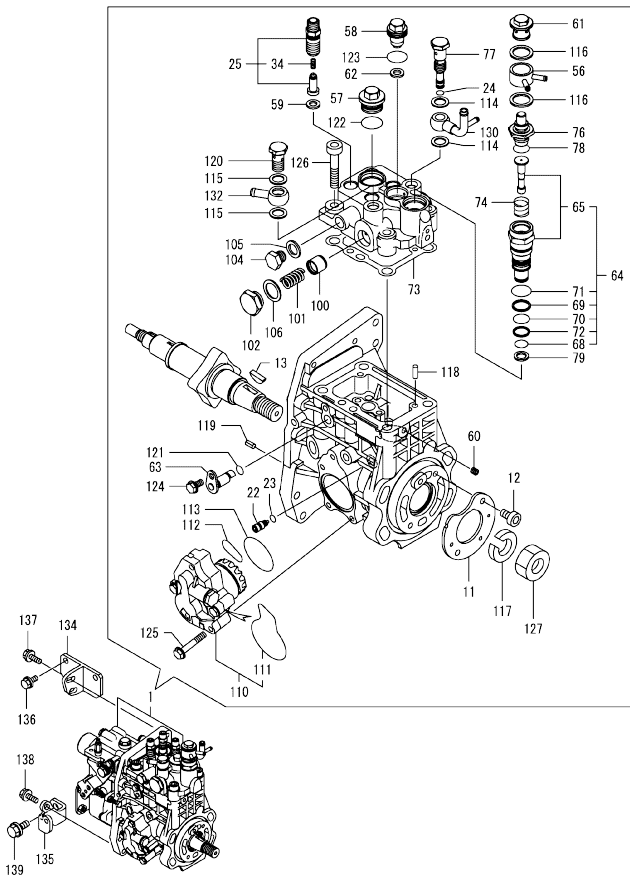
No.	Lev.	Parts No.	Description	Q'ty						I	R	
				(A)	(B)	(C)	(D)	(E)	(F)			
1	1	729933-51410	FIE ASSY	1							1	
11	2	129928-51900	COVER	1								
12	2	129008-51920	BOLT, SOCKET M6X10	2								
13	2	144626-51090	FEATHER KEY, 5X19	1								
22	2	158600-51270	STOPPER, TAPPET	1								
23	2	158563-51281	O-RING, 4D S6	1								
24	2	158563-51281	O-RING, 4D S6	1								
25	2	129509-51390	VALVE ASSY, DELIVERY	4								
34	3	158563-51330	SPRING, DELIVERY	4								
56	2	158553-51551	JOINT, COOLING WATER	1								
57	2	158601-51550	PLUG, M22	1								
58	2	129907-51560	PLUG, M16	1								
59	2	158552-51571	GASKET, PLUG	4								
60	2	158557-51570	PLUG, RACK	1								
61	2	158601-51570	PLUG	1								
62	2	129906-51580	GASKET, PLUG	1								
63	2	158552-51580	LIFTER, LINK	1								
64	2	119802-51590	TIMER ASSY	1								
65	3	119802-51600	TIMER ASSY	1								
68	3	158553-51670	O-RING	1								
69	3	119802-51680	RING, BACKUP	1								
70	3	119802-51690	O-RING	1								
71	3	24356-190200	O-RING, 4D19020	1								
72	3	24372-000150	RING, BACK UP T2P15	1								
73	2	158560-51600	GASKET	1								
74	2	158553-51630	SPRING, TIMER	1								
76	2	158553-51640	THERMOELEMENT	1								
77	2	158601-51650	JOINT, OVER FLOW	1								
78	2	158553-51660	O-RING, P14	1								
79	2	158553-51680	GASKET, TIMER	1								
100	2	158601-51770	PISTON, ACCUMULATOR	1								
101	2	158552-51781	SPRING, ACCUMULATOR	1								
102	2	158601-51790	PLUG	1								
104	2	158553-51930	PLUG, M12	1								
105	2	22190-120002	WASHER, SEAL 12	1								
106	2	22190-180002	WASHER, SEAL 18	1								
110	2	158552-52100	PUMP ASSY, FUEL FEED	1								
111	3	158552-52500	O-RING	1								
112	2	158552-52311	O-RING	1								
113	2	158552-52400	O-RING, 4E S42	1								
114	2	22190-120002	WASHER, SEAL 12	2								
115	2	22190-120002	WASHER, SEAL 12	2								
116	2	22190-180002	WASHER, SEAL 18	2								
117	2	22217-180000	WASHER, SPRING 18	1								
118	2	22312-050140	PIN, PARALLEL 5X14	2								
119	2	22351-050010	PIN, SPRING 5.0X10	2								
120	2	23857-060000	BOLT, JOINT 6	1								
121	2	24311-000070	O-RING, 1AP7.0	1								
122	2	24356-190200	O-RING, 4D19020	1								
123	2	24356-240210	O-RING, 4D24021	1								
124	2	26106-060102	BOLT, M6X 10 PLATED	1								

Remarks

(1)Governor(Fig.14) is incorporated in this Fuel Injection Pump(No.1).

N:Old <sup>REV</sup>/<sub>REV</sub> New, Q:Old <sup>REV</sup>/<sub>REV</sub> New, R:Old <sup>REV</sup>/<sub>REV</sub> New, S:Old <sup>REV</sup>/<sub>REV</sub> New, W:Add, Z:Discontinued, F:Interchangeable by set, K:Q'ty Change  
 ++ CONTINUE ++ Copyright (C) 2017 YANMAR GLOBAL CS CO., LTD. All Rights Reserved.

Fig.13. FUEL INJECTION PUMP



(A)=4TNV98T-SBF  
(B)=  
(C)=

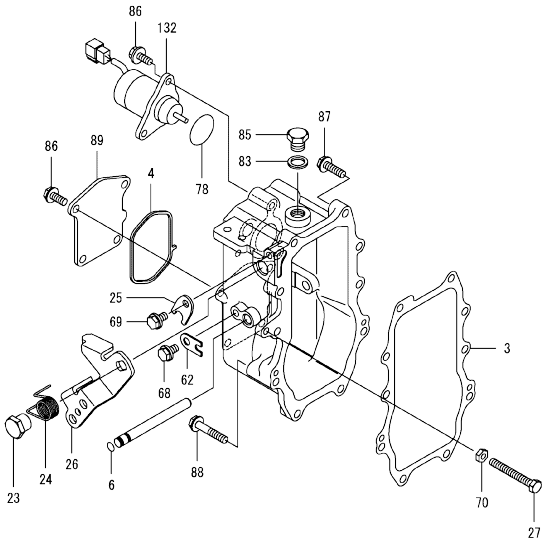
(D)=  
(E)=  
(F)=

No.	Lev.	Parts No.	Description	Q'ty						I	R
				(A)	(B)	(C)	(D)	(E)	(F)		
125	2	26106-060352	BOLT, M6X 35 PLATED	4							
126	2	26450-100452	BOLT, M10X 45	4							
127	2	26776-180002	NUT, LOCK M18	1							
130	2	158552-51670	JOINT, OVER FLOW	1							
132	2	129916-59020	JOINT, PIPE 12	1							
134	1	129907-01950	RETAINER, PUMP	1							
135	1	129907-01960	RETAINER, PUMP	1							
136	1	26106-080162	BOLT, M8X 16 PLATED	2							
137	1	26106-080222	BOLT, M8X 22 PLATED	2							
138	1	26106-080222	BOLT, M8X 22 PLATED	1							
139	1	26106-100202	BOLT, M10X 20 PLATED	1							

Remarks

(1)Governor(Fig.14) is incorporated in this Fuel Injection Pump(No.1).

Fig.14. GOVERNOR



(A)=4TNV98T-SBF  
(B)=  
(C)=

(D)=  
(E)=  
(F)=

No.	Lev.	Parts No.	Description	Q'ty						I	R
				(A)	(B)	(C)	(D)	(E)	(F)		
3	2	158560-61050	GASKET	1							
4	2	158560-61071	GASKET	1							
6	2	129155-51280	O-RING, S6	1							
23	2	129255-61410	NUT, M8	1							
24	2	119807-61420	SPRING, RETURN	1							
25	2	158560-61430	STOPPER, SHAFT	1							
26	2	158560-61442	LEVER, REGULATOR	1							
27	2	129155-61461	BOLT, IDLE LIMIT	1							
62	2	119660-61901	STOPPER, SHAFT	1							
68	2	26106-060102	BOLT, M6X 10 PLATED	1							
69	2	26106-060102	BOLT, M6X 10 PLATED	1							
70	2	119740-61470	NUT	1							
78	2	158552-61900	O-RING	1							
83	2	22190-160002	WASHER, SEAL 16	1							
85	2	23887-160002	PLUG, 16	1							
86	2	26106-060142	BOLT, M6X 14 PLATED	6							
87	2	26106-060252	BOLT, M6X 25 PLATED	8							
88	2	26106-060402	BOLT, M6X 40 PLATED	2							
89	2	158560-61061	COVER, GOVERNOR CASE	1							
132	2	129630-77900	SOLENOID, STOP	1							

Remarks

\* This figure(Governor) is incorporated in the Fuel Injection Pump(Fig.13).

Fig.15. FUEL INJECTION VALVE

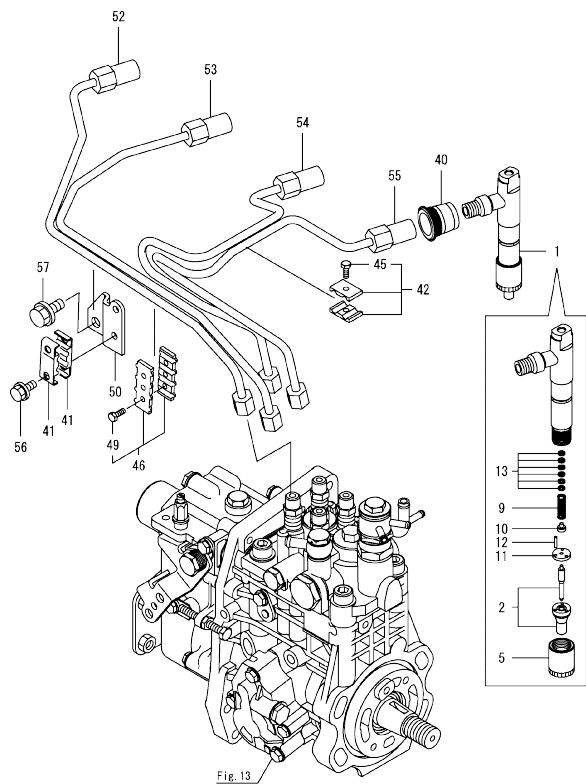


Fig.13

(A)=4TNV98T-SBF  
(B)=  
(C)=

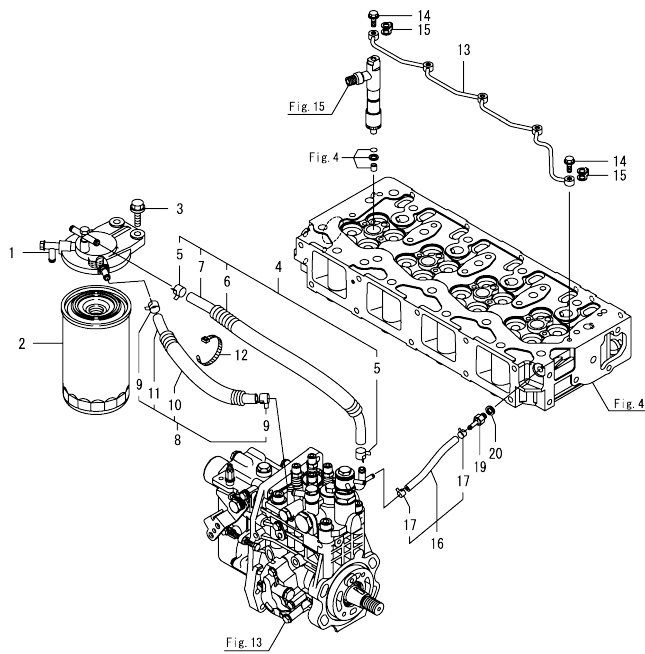
(D)=  
(E)=  
(F)=

No.	Lev.	Parts No.	Description	Q'ty						I	R
				(A)	(B)	(C)	(D)	(E)	(F)		
1	1	729933-53100	FUEL INJECTOR ASSY	4							
2	2	129933-53000	NOZZLE ASSY, F.I.	4							
5	2	114250-53080	NUT, NOZZLE	4							
9	2	114250-53120	SPRING, NOZZLE	4							
10	2	114250-53130	SEAT, SPRING	4							
11	2	114250-53140	SPACER	4							
12	2	114250-53210	PIN	8							
13	2	119803-53400	SHIM SET	4							1
40	1	123907-11601	SEAL, PIPE	4							
41	1	122780-59100	RETAINER	2							
42	1	119305-59120	RETAINER, PIPE	1							
45	2	129150-59131	BOLT, M4X14	1							
46	1	129550-59120	RETAINER, PIPE	1							
49	2	129150-59131	BOLT, M4X14	2							
50	1	129907-59710	SUPPORT	1							
52	1	129908-59810	PIPE ASSY, INJECTION	1							
53	1	129908-59820	PIPE ASSY, INJECTION	1							
54	1	129908-59830	PIPE ASSY, INJECTION	1							
55	1	129908-59840	PIPE ASSY, INJECTION	1							
56	1	26106-060162	BOLT, M6X 16 PLATED	2							
57	1	26106-080182	BOLT, M8X 18 PLATED	1							

Remarks  
(1)Spare parts.

OCD50-M03380 ENGINE  
 Fig.16. FUEL PIPE

OCD50-M03380 Fig.16

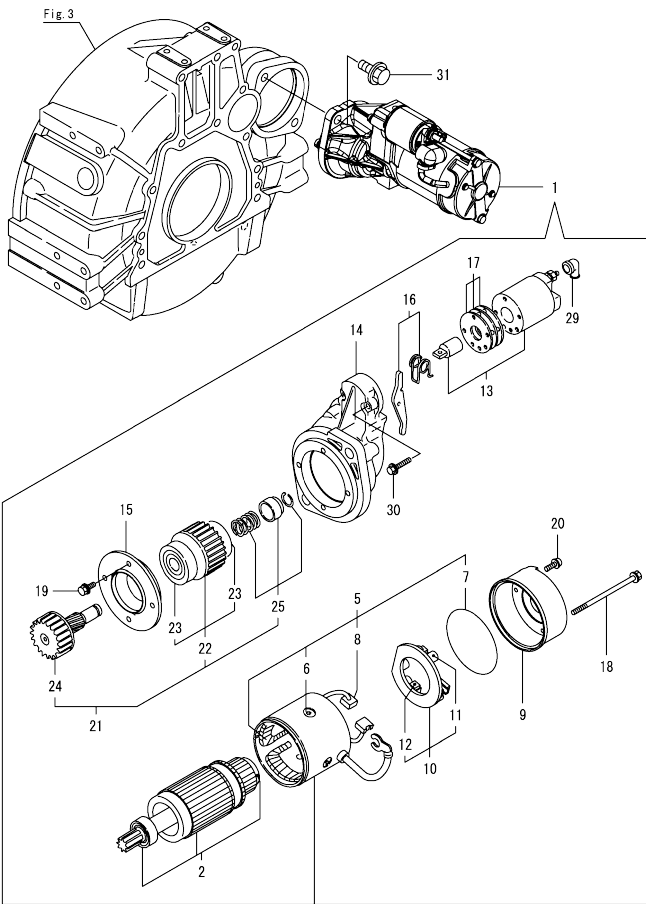


(A)=4TNV98T-SBF  
 (B)=  
 (C)=

(D)=  
 (E)=  
 (F)=

No.	Lev.	Parts No.	Description	Q'ty						I	R
				(A)	(B)	(C)	(D)	(E)	(F)		
1	1	129004-55612	BRACKET, FILTER	1							
2	1	129907-55801	FILTER, FUEL	1							
3	1	26106-080302	BOLT, M8X 30 PLATED	2							
4	1	129457-59010	HOSE ASSY, FUEL	1							
5	2	124766-59050	CLAMP, HOSE 11.5	2							
6	2	129957-59120	TUBE, CORRUGATED 15	1							
7	2	105025-59750	HOSE, FUEL	1							
8	1	129981-59010	HOSE ASSY, FUEL	1							
9	2	124766-59050	CLAMP, HOSE 11.5	2							
10	2	129950-59221	TUBE, CORRUGATED 15	1							
11	2	129980-59510	HOSE, FUEL	1							
12	1	121750-59890	BAND, NYLON	1							
13	1	129907-59140	PIPE ASSY, RETURN	1							
14	1	123907-59540	BOLT, PIPE JOINT M6	5							
15	1	123907-59550	GASKET	5							
16	1	129486-59551	HOSE ASSY, RETURN	1							
17	2	124722-59050	CLAMP, HOSE 9	2							
19	1	123907-59560	JOINT, HOSE	1							
20	1	22190-080002	WASHER, SEAL 8	1							

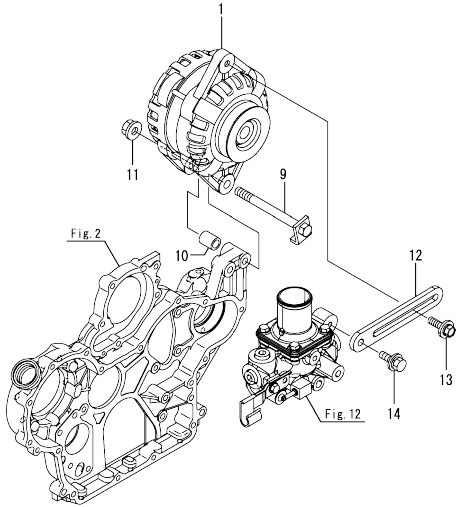
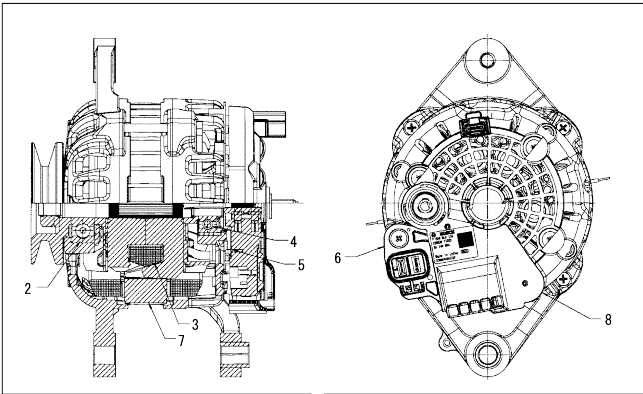
Fig.17. STARTER MOTOR



No.	Lev.	Parts No.	Description	Q'ty						I	R
				(A)	(B)	(C)	(D)	(E)	(F)		
1	1	129940-77011	STARTER ASSY	1							
2	2	129940-77100	ARMATURE ASSY	1							
5	2	129940-77130	COIL ASSY, FIELD	1							
6	3	129940-77140	SCREW, CORE SET	4							
7	3	129940-77150	O-RING	1							
8	3	129940-77160	BRUSH	2							
9	2	129940-77171	COVER	1							
10	2	129940-77181	HOLDER ASSY, BRUSH	1							
11	3	129940-77190	SPRING, BRUSH	1							
12	3	129940-77200	BRUSH	2							
13	2	129940-77210	SWITCH ASSY, MAGNET	1							
14	2	129940-77221	CASE, GEAR	1							
15	2	129940-77230	RETAINER, BEARING	1							
16	2	129940-77240	LEVER SET	1							
17	2	129940-77250	COVER KIT, DUST	1							
18	2	129940-77260	BOLT, THROUGH	2							
19	2	129940-77270	BOLT	4							
20	2	129940-77280	SCREW	2							
21	2	123900-77510	PINION ASSY	1							
22	3	123900-77520	CLUTCH ASSY	1							
23	4	X2240610100	BEARING, BALL	2							
24	3	123900-77540	SHAFT, PINION	1							
25	3	119131-77550	STOPPER SET, PINION	1							
29	2	121254-77810	COVER, TERMINAL	1							
30	2	114371-79070	BOLT	2							
31	1	26106-120252	BOLT, M12X 25 PLATED	2							

N:Old  $\frac{100}{100}$  New, Q:Old  $\frac{100}{100}$  New, R:Old  $\frac{100}{100}$  New, S:Old  $\frac{100}{100}$  New, W:Add, Z:Discontinued, F:Interchangeable by set, K:Q'ty Change  
 Copyright (C) 2017 YANMAR GLOBAL CS CO., LTD. All Rights Reserved.

Fig.18. GENERATOR

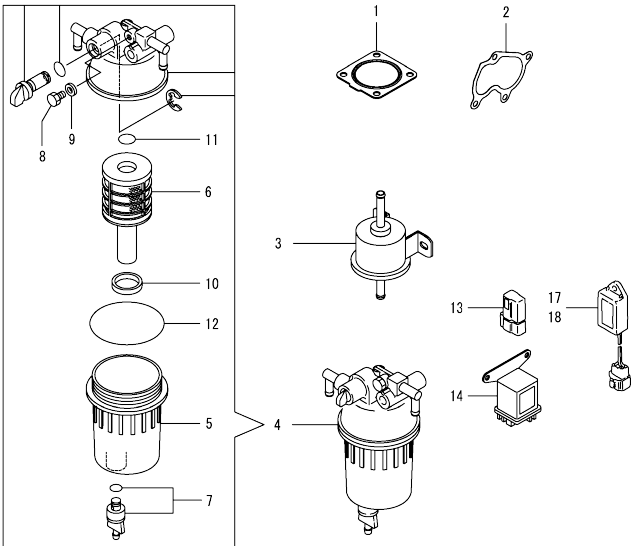


(A)=4TNV98T-SBF  
(B)=  
(C)=

(D)=  
(E)=  
(F)=

No.	Lev.	Parts No.	Description	Q'ty						I	R
				(A)	(B)	(C)	(D)	(E)	(F)		
1	1	129908-77200	ALTERNATOR 12V	1							
2	2	129908-77710	BEARING, BALL FR	1							
3	2	129908-77720	ROTOR	1							
4	2	129908-77730	BEARING, BALL RR	1							
5	2	129908-77740	RECTIFIER	1							
6	2	129908-77750	REGULATOR	1							
7	2	129908-77760	STATOR	1							
8	2	129908-77770	PROTECTOR	1							
9	1	129908-77220	BOLT, STOPPER M10	1							
10	1	129908-77360	PIECE, DISTANCE	1							
11	1	26306-100002	NUT, M10	1							
12	1	129900-77330	ADJUSTER, BELT	1							
13	1	119810-77340	BOLT, ADJUST L=30	1							
14	1	26014-080252	BOLT, M8X 25	1							

Fig.19. ACCESSORY



(A)=4TNV98T-SBF  
(B)=  
(C)=

(D)=  
(E)=  
(F)=

No.	Lev.	Parts No.	Description	Q'ty						I	R
				(A)	(B)	(C)	(D)	(E)	(F)		
1	1	129930-13201	GASKET, SILENCER	1							
2	1	123901-18080	GASKET	1							
3	1	119225-52102	PUMP, FUEL FEED	1							
4	1	129242-55711	SEPARATOR ASSY,WATER	1							
5	2	129242-55720	CUP, SEPARATOR	1							
6	2	129242-55730	ELEMENT, FUEL	1							
7	2	129242-55740	PLUG, DRAIN	1							
8	2	129242-55750	VALVE, AIR VENT	1							
9	2	129242-55760	GASKET, PLUG	1							
10	2	129242-55770	FLOAT	1							
11	2	24311-000160	O-RING, 1AP16.0	1							
12	2	24321-000750	O-RING, 1AG75.0	1							
13	1	119643-66900	DIODE	1							
14	1	119650-77911	RELAY ASSY, GLOW	1							
17	1	128300-77920	TIMER	1							
18	1	129211-77920	TIMER	1							



## Parts No. Index

Parts No.	Fig. No.	Ref. No.
105010-39140	11	7
		22
105025-59750	16	7
114250-39450	11	1
114250-53080	15	5
114250-53120	15	9
114250-53130	15	10
114250-53140	15	11
114250-53210	15	12
114371-79070	17	30
119000-39650	11	36
119005-35151	10	24
119005-77051	5	10
119006-03090	4	65
119100-11330	4	58
119129-77020	5	8
119130-44760	12	17
119131-77550	17	25
119225-52102	19	3
119305-59120	15	42
119593-11301	4	30
119620-01750	3	3
119620-11180	4	15
119625-11880	4	26
119640-01640	3	8
119643-66900	19	13
119650-77911	19	14
119660-61901	14	62
119740-61470	14	70
119802-11870	4	25
119802-51590	13	64
119802-51600	13	65
119802-51680	13	69
119802-51690	13	70
119803-11340	4	16
119803-53400	15	13
119807-61420	14	24
119810-77340	18	13
120130-22301	9	23
121023-26071	2	50
121250-44901	12	36
121252-39150	11	8
121254-77810	17	29
121450-42450	12	35
121520-34810	10	15
121750-59890	16	12
121850-21130	9	11
121850-21290	9	4
121850-21920	9	5
121850-49540	12	23

Parts No.	Fig. No.	Ref. No.
121850-49550	12	24
121850-49811	12	26
121850-77021	5	9
122780-59100	15	41
123900-25060	7	9
123900-77510	17	21
123900-77520	17	22
123900-77540	17	24
123901-03240	4	69
123901-03280	4	76
123901-18080	19	2
123901-39820	11	27
123907-11280	4	35
123907-11550	4	1
123907-11601	15	40
123907-11820	4	22
123907-11830	4	21
123907-39500	11	14
123907-59540	16	14
123907-59550	16	15
123907-59560	16	19
123910-49600	10	8
123910-49610	10	10
123912-33050	10	2
123912-33100	10	3
123951-18220	5	5
124070-13300	11	24
124160-01751	2	48
	4	50
124160-11340	4	17
124160-11360	4	60
124223-39900	11	4
124465-44950	12	37
		38
124722-59050	12	42
		45
		16
124766-59050	16	5
		9
128300-77920	19	17
129004-55612	16	1
129005-59830	11	16
129006-44480	10	5
129008-51920	13	12
129100-01580	2	9
	3	1
129150-02450	7	4
129150-03100	4	67
129150-11230	4	38
		42

Parts No.	Fig. No.	Ref. No.
129150-11750	4	20
		39
		43
129150-14200	7	1
129150-25920	7	18
129150-59131	15	45
		49
129155-51280	14	6
129155-61461	14	27
129198-59540	11	7 -1
129211-77920	19	18
129242-55711	19	4
129242-55720	19	5
129242-55730	19	6
129242-55740	19	7
129242-55750	19	8
129242-55760	19	9
129242-55770	19	10
129255-61410	14	23
129410-03990	4	77
129418-18320	6	4
129457-59010	16	4
129466-49300	10	7
129472-18090	8	2
129486-59551	16	16
129509-51390	13	25
129550-59120	15	46
129630-77900	14	132
129900-01200	1	27
129900-01250	1	4
129900-02020	1	6
129900-02341	1	33
129900-02410	1	9
129900-02941	1	36
129900-13251	6	2
129900-14110	7	6
129900-14140	2	32
129900-21220	9	3
129900-21600	9	14
129900-23001	9	25
129900-23200	9	28
129900-23611	9	32
129900-23911	9	31
129900-26030	7	16
129900-26250	2	33
129900-32030	2	34
	10	17
129900-32040	2	35
129900-42020	12	11
129900-42450	12	14

Parts No.	Fig. No.	Ref. No.
129900-49870	12	31
129900-77330	18	12
129906-51580	13	62
129907-01190	1	29
129907-01331	1	28
129907-01950	13	134
129907-01960	13	135
129907-03011	4	52
129907-03061	4	53
129907-03070	4	54
129907-07900	4	63
129907-11100	4	12
129907-11110	4	13
129907-11120	4	14
129907-11250	4	32
129907-11260	4	33
129907-11270	4	34
129907-11341	4	31
129907-11510	4	18
129907-11650	4	36
129907-11660	4	40
129907-11800	4	82
129907-11910	4	27
129907-11920	4	44
129907-11950	4	28
129907-12100	5	1
129907-12110	5	2
129907-14400	7	2
129907-21580	9	12
129907-22051	9	17
129907-25900	7	15
129907-39061	11	12
129907-42002	12	1
129907-49610	12	39
129907-49620	12	43
129907-49710	12	40
129907-49720	12	44
129907-49730	12	25
129907-49750	12	41
129907-49800	12	19
129907-51560	13	58
129907-55801	16	2
129907-59140	16	13
129907-59710	15	50
129908-03099	4	66
129908-03230	4	68
129908-03240	4	70
129908-03250	4	71
129908-11700	4	2
129908-13100	6	1

## Parts No. Index

Parts No.	Fig. No.	Ref. No.
129908-14590	7	3
129908-18011	8	1
129908-18350	5	7
129908-21100	9	1
129908-22080	9	15
129908-32060	2	19
129908-33010	10	1
129908-33101	10	4
129908-39070	11	2
129908-39410	11	30
129908-39610	11	25
129908-39690	11	26
129908-49060	10	6
129908-59810	15	52
129908-59820	15	53
129908-59830	15	54
129908-59840	15	55
129908-77200	18	1
129908-77220	18	9
129908-77360	18	10
129908-77710	18	2
129908-77720	18	3
129908-77730	18	4
129908-77740	18	5
129908-77750	18	6
129908-77760	18	7
129908-77770	18	8
129916-01710	3	7
129916-01790	3	6
129916-01800	2	3
129916-21610	9	7
129916-21680	9	8
129916-44740	12	16
129916-49530	12	22
129916-59020	13	132
129927-02930	1	24
129927-23600	9	29
129927-25110	7	10
129927-42140	2	36
129928-51900	13	11
129930-13201	19	1
129930-39050	11	21
129933-01500	2	12
129933-11310	4	57
129933-11320	4	51
129933-53000	15	2
129935-03260	4	73
129935-03270	4	74
129940-77011	17	1
129940-77100	17	2

Parts No.	Fig. No.	Ref. No.
129940-77130	17	5
129940-77140	17	6
129940-77150	17	7
129940-77160	17	8
129940-77171	17	9
129940-77181	17	10
129940-77190	17	11
129940-77200	17	12
129940-77210	17	13
129940-77221	17	14
129940-77230	17	15
129940-77240	17	16
129940-77250	17	17
129940-77260	17	18
129940-77270	17	19
129940-77280	17	20
129950-59221	16	10
129951-01740	2	10
129953-25300	7	14
129953-34830	10	14
129953-35000	10	18
129957-59120	16	6
129960-03990	4	78
129960-21930	9	9
129960-21940	9	10
129980-59510	16	11
129981-01600	3	2
129981-59010	16	8
129E00-13640	6	3
144626-51090	13	13
158552-51571	13	59
158552-51580	13	63
158552-51670	13	130
158552-51781	13	101
158552-52100	13	110
158552-52311	13	112
158552-52400	13	113
158552-52500	13	111
158552-61900	14	78
158553-51551	13	56
158553-51630	13	74
158553-51640	13	76
158553-51660	13	78
158553-51670	13	68
158553-51680	13	79
158553-51930	13	104
158557-51570	13	60
158560-51600	13	73
158560-61050	14	3
158560-61061	14	89

Parts No.	Fig. No.	Ref. No.
158560-61071	14	4
158560-61430	14	25
158560-61442	14	26
158563-51150	7	19
158563-51281	13	23
		24
158563-51330	13	34
158600-51270	13	22
158601-51550	13	57
158601-51570	13	61
158601-51650	13	77
158601-51770	13	100
158601-51790	13	102
171051-01921	1	5
171056-49120	10	13
22190-080002	11	9
		17
		19
		23
	16	20
22190-120002	13	105
		114
		115
22190-160002	14	83
22190-180002	13	106
		116
22190-220002	3	10
22217-180000	13	117
22252-000300	9	24
22312-050140	13	118
22351-030010	11	37
22351-050010	13	119
22351-060012	1	10
22512-070140	7	7
	9	6
22857-500100	4	59
23000-022000	4	79
23000-025000	10	11
	11	28
23000-054000	5	6
23414-080000	12	32
23414-100000	11	10
23857-030000	11	18
23857-060000	13	120
23875-030000	12	28
23876-020000	4	9
23876-030000	1	11
		12
		13
	4	10

Parts No.	Fig. No.	Ref. No.
23887-160002	14	85
24311-000070	2	37
	13	121
24311-000120	4	29
		61
24311-000160	19	11
24311-000320	2	49
	4	62
24321-000600	10	12
24321-000750	19	12
24321-000850	2	51
24351-030750	2	38
24356-190200	13	71
		122
24356-240210	13	123
24372-000150	13	72
25152-004300	12	15
26014-080252	18	14
26106-060102	13	124
	14	68
		69
26106-060122	12	29
26106-060142	14	86
26106-060162	11	29
	15	56
26106-060202	12	30
26106-060252	14	87
26106-060302	12	12
26106-060352	13	125
26106-060402	14	88
26106-080122	3	11
	4	80
	10	23
	11	11
		20
	12	33
26106-080142	4	81
	7	8
26106-080162	2	39
	4	64
	13	136
26106-080182	15	57
26106-080202	2	40
		41
26106-080222	13	137
		138
26106-080302	12	18
	16	3
26106-080402	2	42
	4	46

## Parts No. Index

Parts No.	Fig. No.	Ref. No.
26106-080452	2	43
		44
26106-080552	5	3
	7	13
	12	13
26106-080602	4	47
		48
	12	34
26106-080702	2	45
	5	11
26106-080752	2	46
26106-080852	5	4
26106-081202	5	12
26106-100202	2	52
	13	139
26106-120252	17	31
26116-050102	4	72
26206-100352	3	4
26206-100702	3	5
26216-100302	2	31
26226-080222	4	45
26306-080002	4	49
	8	3
26306-100002	2	47
	18	11
26450-100452	13	126
26776-180002	13	127
27241-300000	1	14
27241-400000	4	11
27310-070001	4	23
729900-02801	1	30
729906-01550	2	1
729907-22950	9	36
729908-01560	1	1
729908-22900	9	34
729933-51410	13	1
729933-53100	15	1
X2240610100	17	23

Parts No.	Fig. No.	Ref. No.
-----------	----------	----------

Parts No.	Fig. No.	Ref. No.
-----------	----------	----------

Parts No.	Fig. No.	Ref. No.
-----------	----------	----------