

0CW10-M56200EN

P R E F A C E

1. This parts catalog is the 1st edition of 4TNV98T-ZNLYS for Liugong.

Pub.No. : 0CW10-G56200

Published : September, 2009

2. Model name

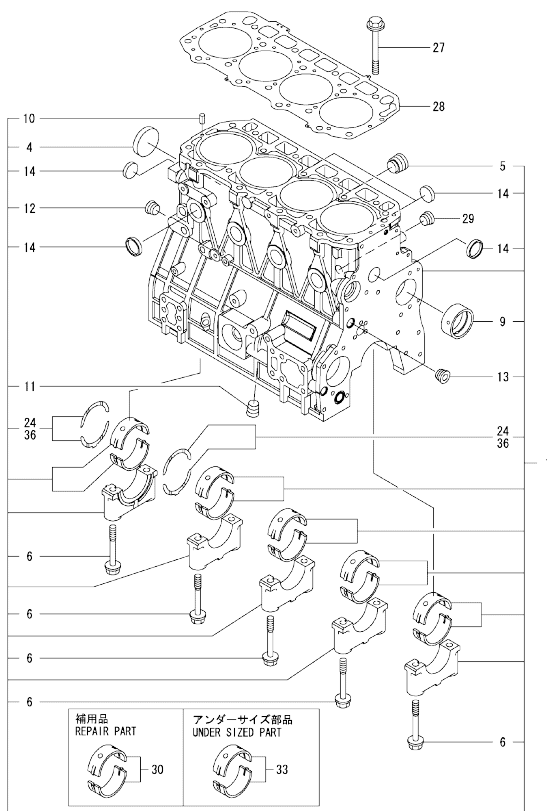
Engine model	Vehicle	Vehicle made by
4TNV98T-ZNLYS	SSL	Liugong

Contents

0CW10-M56200

Fig. No.	Fig. Name	Fig. No.	Fig. Name
ENGINE			
1.	CYLINDER BLOCK		
2.	GEAR HOUSING		
3.	FLYWHEEL HOUSING & OIL SUMP		
4.	CYLINDER HEAD & BONNET		
5.	SUCTION MANIFOLD & AIR CLEANER		
6.	EXHAUST MANIFOLD & SILENCER		
7.	CAMSHAFT & DRIVING GEAR		
8.	TURBINE		
9.	CRANKSHAFT & PISTON		
10.	LUB. OIL SYSTEM		
11.	LUB. OIL PIPING		
12.	COOLING WATER SYSTEM		
13.	FUEL INJECTION PUMP		
14.	GOVERNOR		
15.	FUEL INJECTION VALVE		
16.	FUEL PIPING		
17.	STARTER MOTOR		
18.	GENERATOR		
19.	ELECTRONIC CONTROL UNIT(ECU)		
20.	GASKET SET		
21.	BUNDLED ITEMS		

Fig.1. CYLINDER BLOCK



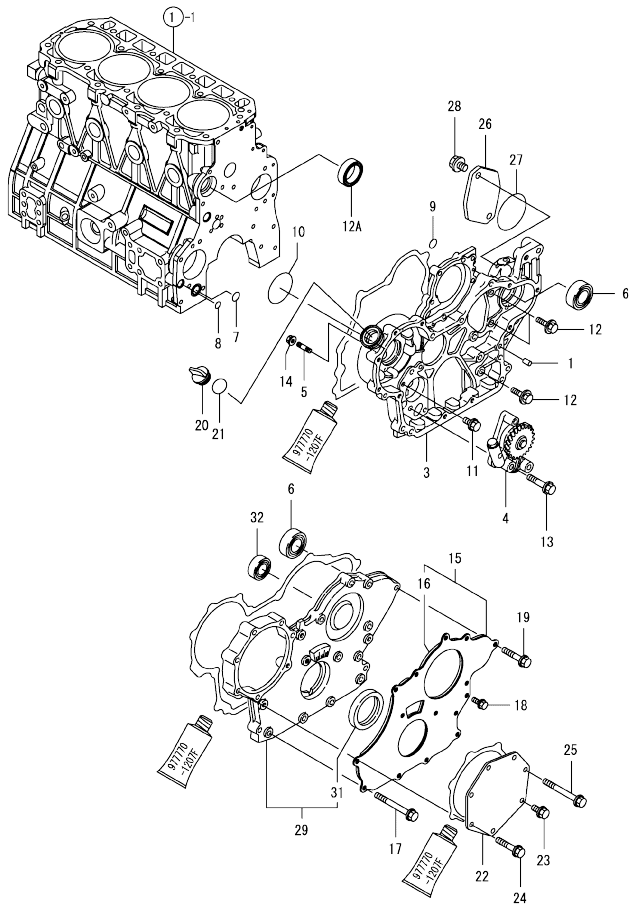
(A)=4TNV98T-ZNLYS
(B)=
(C)=

(D)=
(E)=
(F)=

No.	Lev.	Parts No.	Description	Q'ty						I	R
				(A)	(B)	(C)	(D)	(E)	(F)		
1	1	729928-01560	BLOCK ASSY, CYLINDER	1							
4	2	129900-01250	PLUG, DISH TYPE 55	1							
5	2	171051-01921	PLUG, NPTF1	1							
6	2	129900-02020	BOLT, METAL CAP	10							
9	2	129900-02410	BUSH, CAMSHAFT	1							
10	2	22351-060012	PIN, SPRING 6.0X12	2							
11	2	23876-030000	PLUG, R03	1							
12	2	23876-030000	PLUG, R03	1							
13	2	23876-030000	PLUG, R03	1							
14	2	27241-300000	PLUG 30	8							
24	2	129900-02931	BEARING ASSY, THRUST	2							
27	1	129900-01200	BOLT, CYLINDER HEAD	18							
28	1	129907-01331	GASKET, HEAD	1							
29	1	23876-030000	PLUG, R03	1							
30	1	729900-02801	BEARING, MAIN	5							1
33	1	129900-02341	BEARING ASSY, MAIN	5							2
36	1	129900-02941	BEARING, THRUST 0.25	2							3

Remarks
 (1)Repair parts.
 (2)Under-sized(U.S.=0.25) parts.
 (3)Over-sized(O.S.=0.25) parts.

Fig.2. GEAR HOUSING

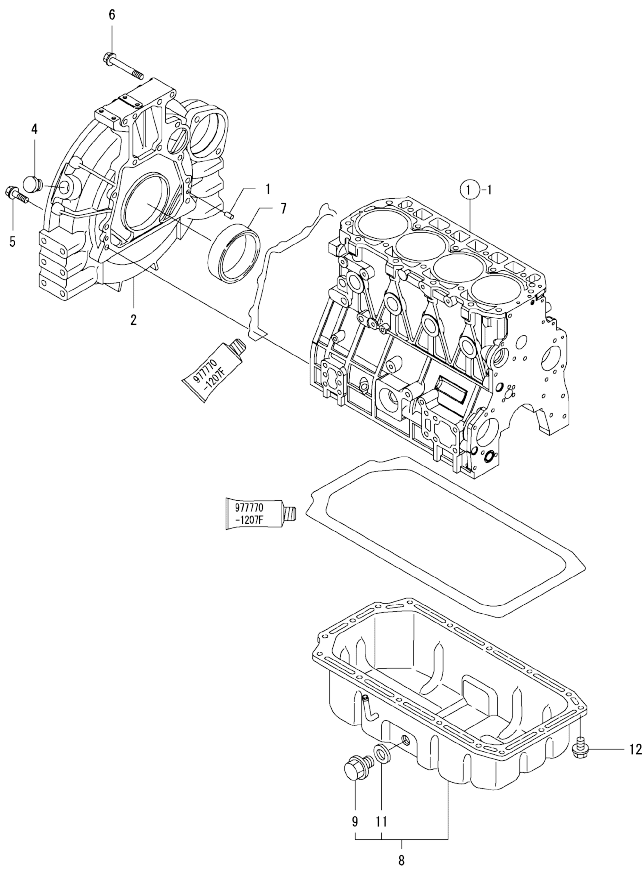


(A)=4TNV98T-ZNLYS
(B)=
(C)=

(D)=
(E)=
(F)=

No.	Lev.	Parts No.	Description	Qty						I	R
				(A)	(B)	(C)	(D)	(E)	(F)		
1	1	129100-01580	PIN, PARALLEL 8X16						4		
3	1	129933-01520	CASE ASSY, GEAR						1		
4	1	129908-32060	PUMP ASSY, OIL						1		
5	1	26216-100302	STUD, M10X 30						4		
6	1	129900-26250	BEARING, BALL 6206C3						2		
7	1	129900-32030	O-RING, P20						1		
8	1	129900-32040	O-RING, P14						1		
9	1	24311-000070	O-RING, 1AP7.0						1		
10	1	24351-030750	O-RING, 1A3075						1		
11	1	26106-080162	BOLT, M8X 16 PLATED						1		
12	1	26106-080202	BOLT, M8X 20 PLATED						3		
12A	1	129927-42140	GASKET, PUMP OUTLET						1		W
(A)=EU8237)											
13	1	26106-080452	BOLT, M8X 45 PLATED						3		
14	1	26306-100002	NUT, M10						4		
15	1	129900-01850	COVER ASSY,GEAR CASE						1		
16	2	129900-01870	SPONGE, GEAR CASE						1		
17	1	26106-080702	BOLT, M8X 70 PLATED						6		
18	1	26106-080162	BOLT, M8X 16 PLATED						3		
19	1	26106-080402	BOLT, M8X 40 PLATED						5		
20	1	124160-01751	CAP, FILLER						1		
21	1	24311-000320	O-RING, 1AP32.0						1		
22	1	129951-01740	COVER						1		
23	1	26106-080162	BOLT, M8X 16 PLATED						1		
24	1	26106-080402	BOLT, M8X 40 PLATED						5		
25	1	26106-080702	BOLT, M8X 70 PLATED						1		
26	1	121023-26071	COVER, PUMP						1		
27	1	24321-000850	O-RING, 1AG85.0						1		
28	1	26106-100202	BOLT, M10X 20 PLATED						2		
29	1	729907-01559	COVER ASSY,GEAR CASE						1		
31	2	129916-01800	SEAL, OIL						1		
32	1	129900-14140	BEARING, BALL 6205						1		

Fig.3. FLYWHEEL HOUSING & OIL SUMP

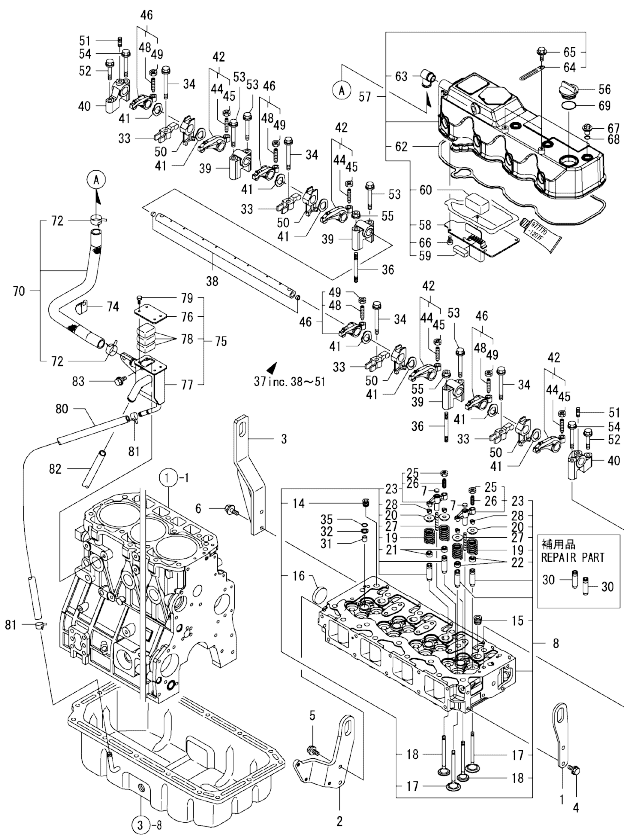


(A)=4TNV98T-ZNLYS
(B)=
(C)=

(D)=
(E)=
(F)=

No.	Lev.	Parts No.	Description	Q'ty						I	R
				(A)	(B)	(C)	(D)	(E)	(F)		
1	1	129100-01580	PIN, PARALLEL 8X16	2							
2	1	129900-01620	HOUSING, FLYWHEEL	1							
4	1	119620-01750	CAP	1							
5	1	26206-100352	BOLT, M10X 35 PLATED	9							
6	1	26206-100702	BOLT, M10X 70 PLATED	4							
7	1	129916-01790	SEAL, D115/95XT11	1							
8	1	129928-01710	OIL PAN ASSY	1							
9	2	119640-01640	PLUG, DRAIN M22	1							
11	2	22190-220002	WASHER, SEAL 22	1							
12	1	26106-080122	BOLT, M8X 12 PLATED	16							

Fig.4. CYLINDER HEAD & BONNET



(A)=4TNV98T-ZNLYS
(B)=
(C)=

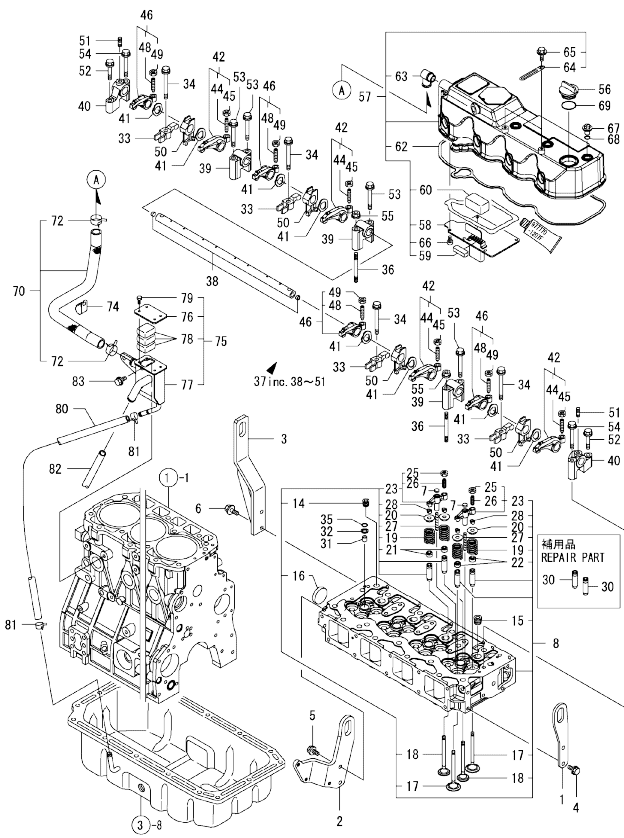
(D)=
(E)=
(F)=

No.	Lev.	Parts No.	Description	Q'ty						I	R
				(A)	(B)	(C)	(D)	(E)	(F)		
1	1	129907-07900	LIFTER, ENGINE	1							
2	1	129948-07900	LIFTER, ENGINE	1							
3	1	129949-07911	LIFTER, ENGINE	1							
4	1	26106-080162	BOLT, M8X 16 PLATED	2							
5	1	26106-080202	BOLT, M8X 20 PLATED	2							
6	1	26106-080202	BOLT, M8X 20 PLATED	2							
7	1	123907-11550	SEAT, VALVE BRIDGE	8							
8	1	129928-11700	HEAD ASSY, CYLINDER	1							
14	2	23876-020000	PLUG, R02	1							
15	2	23876-030000	PLUG, R03	4							
16	2	27241-400000	PLUG, 40	1							
17	2	129907-11100	VALVE, SUCTION	8							
18	2	129907-11110	VALVE, EXHAUST	8							
19	2	129907-11120	SPRING, VALVE	16							
20	2	119620-11180	RETAINER, SPRING	16							
21	2	119803-11340	SEAL, VALVE STEM	8							
22	2	124160-11340	SEAL, VALVE STEM	8							
23	2	129907-11510	BRIDGE ASSY, VALVE	8							
25	3	129150-11750	NUT, M8	8							
26	3	123907-11830	ADJUSTER	8							
27	2	123907-11820	GUIDE, BRIDGE	8							
28	2	27310-070001	COTTER, 7	16							
30	1	129907-11800	GUIDE, VALVE	16							1
31	1	119802-11870	PROTECTOR, NOZZLE	4							
32	1	119625-11880	SEAT, NOZZLE	4							
33	1	129907-11910	RETAINER, NOZZLE	4							
34	1	129907-11950	BOLT, M8X75	4							
35	1	24311-000120	O-RING, 1AP12.0	4							
36	1	119593-11301	BOLT, STUD M8X80	2							
37	1	129907-11341	SHAFT ASSY, ROCKER	1							
38	2	129907-11250	SHAFT, ROCKER ARM	1							
39	2	129907-11260	SUPPORT, ROCKER ARM	3							
40	2	129907-11270	SUPPORT, ROCKER ARM	2							
41	2	123907-11280	WASHER	8							
42	2	129907-11650	ARM ASSY, ROCKER	4							
44	3	129150-11230	SCREW, VALVE ADJUST	4							
45	3	129150-11750	NUT, M8	4							
46	2	129907-11660	ARM ASSY, ROCKER	4							
48	3	129150-11230	SCREW, VALVE ADJUST	4							
49	3	129150-11750	NUT, M8	4							
50	2	129907-11920	RETAINER, NOZZLE	4							
51	2	26226-080222	STUD, M8X 22	2							
52	1	26106-080402	BOLT, M8X 40 PLATED	2							
53	1	26106-080602	BOLT, M8X 60 PLATED	4							
54	1	26106-080602	BOLT, M8X 60 PLATED	2							
55	1	26306-080002	NUT, M8	2							
56	1	124160-01751	CAP, FILLER	1							
57	1	129948-11300	BONNET ASSY, HEAD	1							
58	2	129907-03011	PLATE, BAFFLE	1							
59	2	129907-03061	BAFFLE, BREATHER	1							
60	2	129907-03070	BAFFLE, BREATHER	1							

Remarks
(1)Repair parts.

N:Old $\frac{New}{Old}$ New, Q:Old $\frac{New}{Old}$ New, R:Old $\frac{New}{Old}$ New, S:Old $\frac{New}{Old}$ New, W:Add, Z:Discontinued, F:Interchangeable by set, K:Q'ty Change
++ CONTINUE ++
Copyright (C) YANMAR GLOBAL CS CO., LTD. All Rights Reserved.

Fig.4. CYLINDER HEAD & BONNET



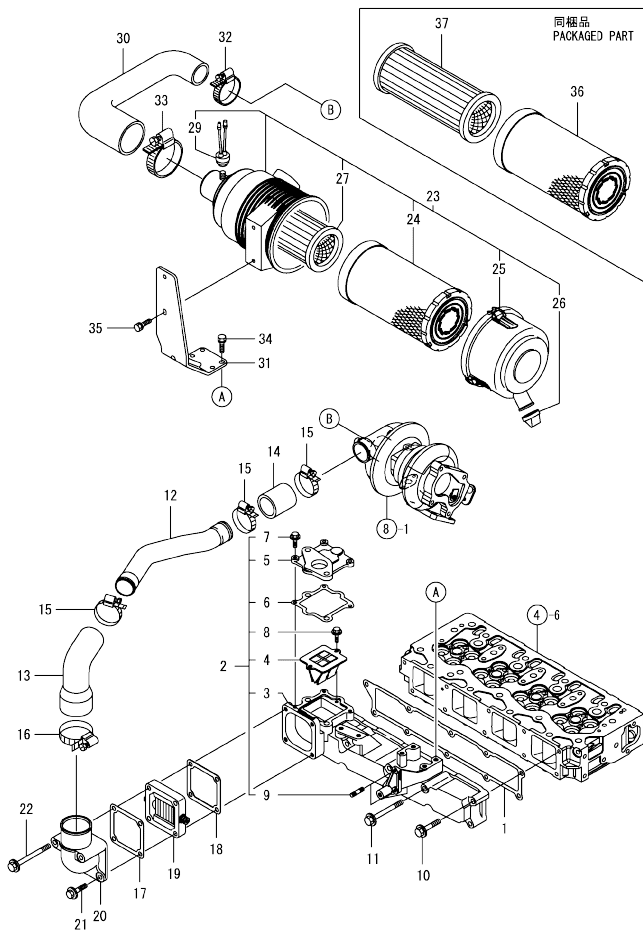
(A)=4TNV98T-ZNLYS
(B)=
(C)=

(D)=
(E)=
(F)=

No.	Lev.	Parts No.	Description	Q'ty						I	R
				(A)	(B)	(C)	(D)	(E)	(F)		
62	2	129933-11310	GASKET, BONNET	1							
63	2	119100-11330	ELBOW, BREATHER	1							
64	2	129509-79700	CLAMP, 140-M6	2							
65	2	26106-060122	BOLT, M6X 12 PLATED	2							
66	2	22857-500100	SCREW, 5X10	6							
67	1	124160-11360	KNOB	4							
68	1	24311-000120	O-RING, 1AP12.0	4							
69	1	24311-000320	O-RING, 1AP32.0	1							
70	1	129948-03080	HOSE ASSY, BREATHER	1							
72	2	129410-03990	CLAMP, HOSE 21.5	2							
74	1	129150-03100	RETAINER, PIPE	1							
75	1	129972-03240	SEPARATOR ASSY, MIST	1							
76	2	129972-03220	COVER, SEPARATOR	1							
77	2	129972-03230	SEPARATOR, MIST	1							
78	2	123901-03240	FILTER	3							
79	2	26116-050102	BOLT, M5X 10 PLATED	4							
80	1	123912-03250	HOSE	1							
81	1	23000-022000	CLAMP, 22	2							
82	1	23065-160250	PIPE, 16X 250	1							
83	1	26106-080142	BOLT, M8X 14 PLATED	2							

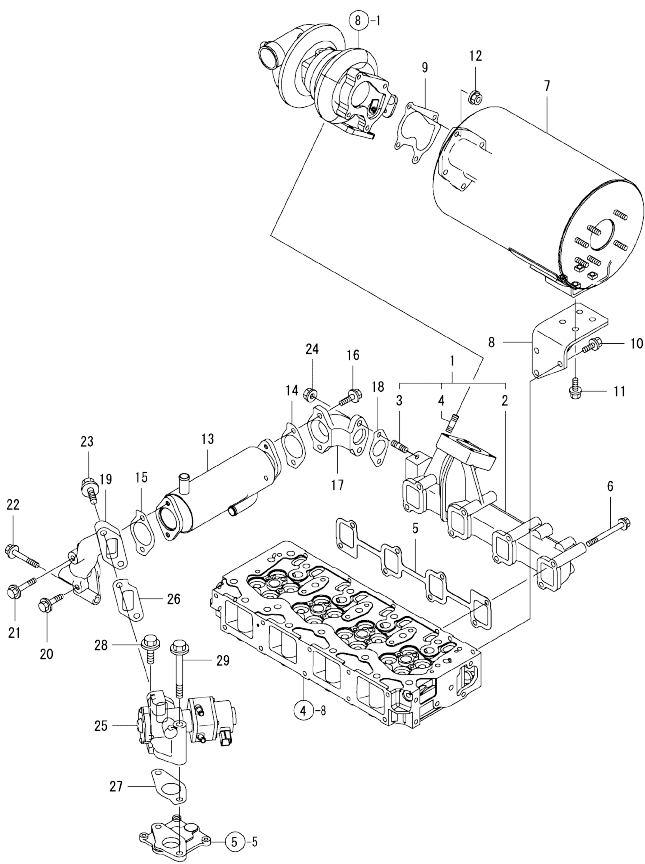
Remarks
(1)Repair parts.

Fig.5. SUCTION MANIFOLD & AIR CLEANER



No.	Lev.	Parts No.	Description	Q'ty						I	R
				(A)	(B)	(C)	(D)	(E)	(F)		
1	1	129907-12110	GASKET, MANIFOLD	1							
2	1	129928-12150	MANIFOLD ASSY,INTAKE	1							
3	2	129928-12100	MANIFOLD, AIR INTAKE	1							
4	2	129928-13700	VALVE, LEAD	1							
5	2	129928-13710	SPACER, EGR VALVE	1							
6	2	129928-13720	GASKET	1							
7	2	26106-060202	BOLT, M6X 20 PLATED	3							
8	2	26106-060202	BOLT, M6X 20 PLATED	2							
9	2	26216-060202	STUD, M6X 20	2							
10	1	26106-080452	BOLT, M8X 45 PLATED	6							
11	1	26106-080802	BOLT, M8X 80 PLATED	4							
12	1	129928-18200	DUCT, AIR	1							
13	1	129974-18210	JOINT, RUBBER	1							
14	1	123951-18220	JOINT, RUBBER	1							
15	1	23000-054000	CLAMP, 54	3							
16	1	23000-080000	CLAMP, 80	1							
16-1	1	23000-070000	CLAMP, 70	1							N
17	1	119129-77020	GASKET	1							
18	1	121850-77021	GASKET, AIR HEATER	1							
19	1	119005-77051	HEATER, AIR	1							
20	1	119129-77520	BEND	1							
21	1	26106-080402	BOLT, M8X 40 PLATED	2							
22	1	26106-080902	BOLT, M8X 90 PLATED	2							
23	1	129935-12500	AIR CLEANER ASSY	1							
24	2	129935-12520	ELEMENT, OUTER	1							
25	2	119160-12530	COVER ASSY	1							
26	2	119160-12540	VALVE	1							
27	2	119160-12570	ELEMENT, INNER	1							
29	2	119140-12680	INDICATOR, CLEANER	1							
30	1	129928-12060	HOSE, AIR INTAKE	1							
31	1	129949-12560	BRACKET, CLEANER	1							
32	1	23000-060000	CLAMP, 60	1							
33	1	23000-090000	CLAMP, 90	1							
34	1	26013-080222	BOLT, SPRING M8X 22	4							
35	1	26013-080222	BOLT, SPRING M8X 22	2							
36	1	129935-12520	ELEMENT, OUTER	1							
37	1	119160-12570	ELEMENT, INNER	1							

Fig.6. EXHAUST MANIFOLD & SILENCER



No.	Lev.	Parts No.	Description	Q'ty						I	R
				(A)	(B)	(C)	(D)	(E)	(F)		
1	1	129928-13150	MANIFOLD ASSY, EXH.	1							
2	2	129928-13100	MANIFOLD, EXHAUST	1							
3	2	129418-18320	BOLT, STUD M8X20	2							
4	2	129418-18320	BOLT, STUD M8X20	4							
5	1	129900-13251	GASKET, EXH.MANIFOLD	1							
6	1	123900-13630	BOLT, M8X80	8							
7	1	129908-13510	SILENCER	1							
8	1	129935-13600	STAY, SILENCER	1							
9	1	123901-18080	GASKET	1							
10	1	26106-080162	BOLT, M8X 16 PLATED	3							
11	1	26106-080202	BOLT, M8X 20 PLATED	4							
12	1	26306-080002	NUT, M8	4							
13	1	129928-13400	COOLER ASSY, EGR	1							
14	1	129928-13410	GASKET	1							
15	1	129928-13410	GASKET	1							
16	1	119802-13790	BOLT, M8X25 10.9T	2							
17	1	129948-13800	PIPE, EGR IN	1							
18	1	129927-13810	GASKET	1							
19	1	129948-13810	PIPE, EGR IN	1							
20	1	26106-080352	BOLT, M8X 35 PLATED	1							
21	1	26106-080452	BOLT, M8X 45 PLATED	1							
22	1	26106-080552	BOLT, M8X 55 PLATED	2							
23	1	26106-100252	BOLT, M10X 25 PLATED	2							
24	1	26306-080002	NUT, M8	2							
25	1	129928-13900	VALVE, EGR	1							
26	1	129927-13910	GASKET, EGR	1							
27	1	129927-13920	GASKET, EGR	1							
28	1	26106-100402	BOLT, M10X 40 PLATED	1							
29	1	26106-101052	BOLT, M10X105 PLATED	1							

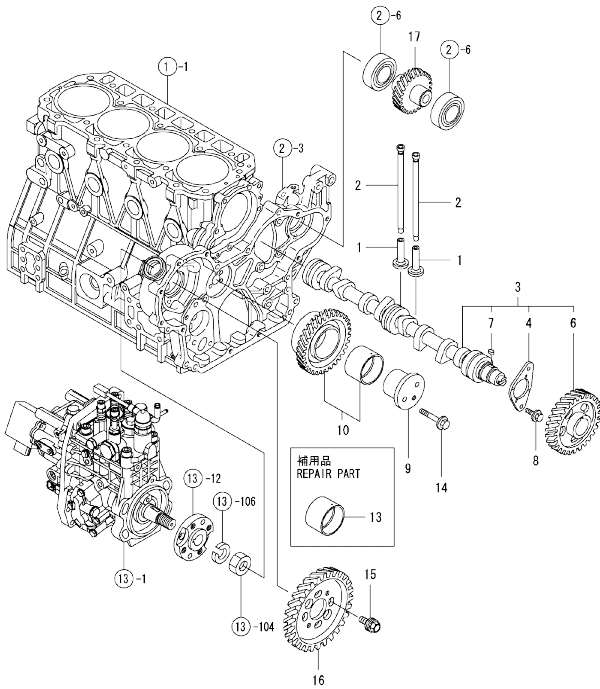
N:Old $\frac{New}{Old}$ New, Q:Old $\frac{New}{Old}$ New, R:Old $\frac{New}{Old}$ New, S:Old $\frac{New}{Old}$ New, W:Add, Z:Discontinued, F:Interchangeable by set, K:Q'ty Change
 Copyright (C) YANMAR GLOBAL CS CO., LTD. All Rights Reserved.

Fig.7. CAMSHAFT & DRIVING GEAR

(A)=4TNV98T-ZNLYS
(B)=
(C)=

(D)=
(E)=
(F)=

No.	Lev.	Parts No.	Description	Q'ty						I	R
				(A)	(B)	(C)	(D)	(E)	(F)		
1	1	129150-14200	TAPPET	8							
2	1	129907-14400	PUSH-ROD	8							
3	1	129908-14590	CAMSHAFT ASSY	1							
4	2	129150-02450	BEARING, THRUST	1							
6	2	129900-14110	GEAR, CAMSHAFT	1							
7	2	22512-070140	KEY, 7X 14	1							
8	1	26106-080162	BOLT, M8X 16 PLATED	2							
9	1	123900-25060	SHAFT, IDLE GEAR	1							
10	1	129900-25110	GEAR ASSY, IDLE	1							
13	1	129150-25920	BUSH, IDLE GEAR	1							1
14	1	26106-080552	BOLT, M8X 55 PLATED	3							
15	1	129953-25300	BOLT	4							
16	1	129907-25900	GEAR, PUMP	1							
17	1	129900-26030	GEAR ASSY, PUMP	1							



Remarks
(1)Repair parts.

0CW10-M56200 ENGINE
 Fig.8. TURBINE

0CW10-M56200 Fig.8

(A)=4TNV98T-ZNLYS
 (B)=
 (C)=

(D)=
 (E)=
 (F)=

No.	Lev.	Parts No.	Description	Q'ty					
				(A)	(B)	(C)	(D)	(E)	(F)
1	1	129935-18010	TURBOCHARGER, RHF5	1					
2	1	129472-18090	GASKET	1					
3	1	26306-080002	NUT, M8	4					
4	1	119131-18320	BOLT, STUD M8X22	4					

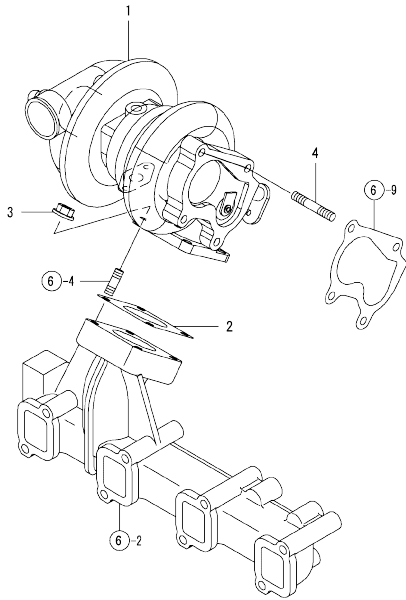
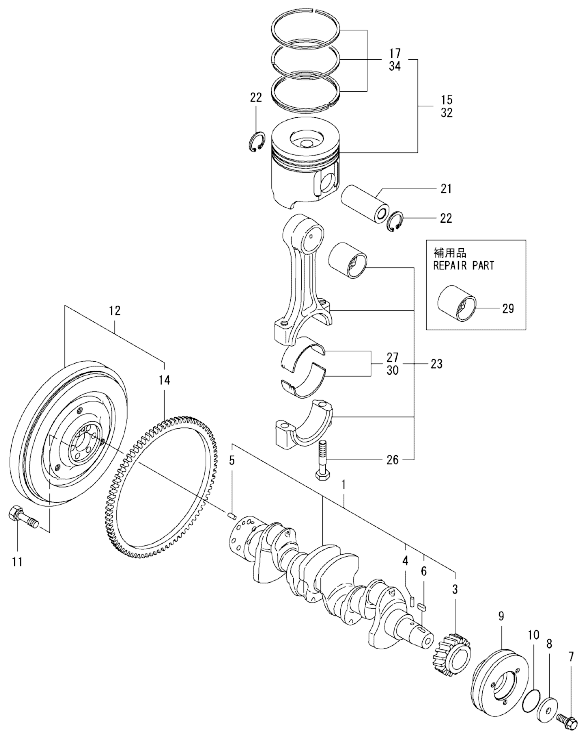


Fig.9. CRANKSHAFT & PISTON

(A)=4TNV98T-ZNLYS
(B)=
(C)=

(D)=
(E)=
(F)=



No.	Lev.	Parts No.	Description	Q'ty						I	R
				(A)	(B)	(C)	(D)	(E)	(F)		
1	1	129908-21100	CRANKSHAFT ASSY	1							
3	2	129900-21220	GEAR, CRANKSHAFT	1							
4	2	121850-21290	PIN	1							
5	2	121850-21920	PIN, PARALLEL 10X22	1							
6	2	22512-070140	KEY, 7X 14	1							
7	1	129916-21610	BOLT	1							
8	1	129960-21640	WASHER	1							
9	1	129944-21650	V-PULLEY, CRANK 130B	1							
10	1	24341-000530	O-RING, 1AS53.0	1							
11	1	121850-21130	BOLT, FLYWHEEL	6							
12	1	129953-21570	FLYWHEEL ASSY	1							
14	2	129900-21600	GEAR, RING	1							
15	1	129928-22080	PISTON ASSY	4							
17	2	129927-22050	RING SET, PISTON	4							
21	1	120130-22301	PIN, PISTON	4							
22	1	22252-000300	RING, 30	8							
23	1	129900-23001	ROD ASSY, CONNECTING	4							
26	2	129900-23200	BOLT, CONNECTING ROD	8							
27	2	129900-23601	BEARING, CRANK PIN	4							
29	1	129900-23911	BEARING, PISTON PIN	4							1
30	1	129900-23611	BEARING ASSY, 0.25US	4							2
32	1	729928-22900	PISTON ASSY, 0.25 OS	4							3
34	2	729927-22950	RING SET, 0.25 OS	4							3

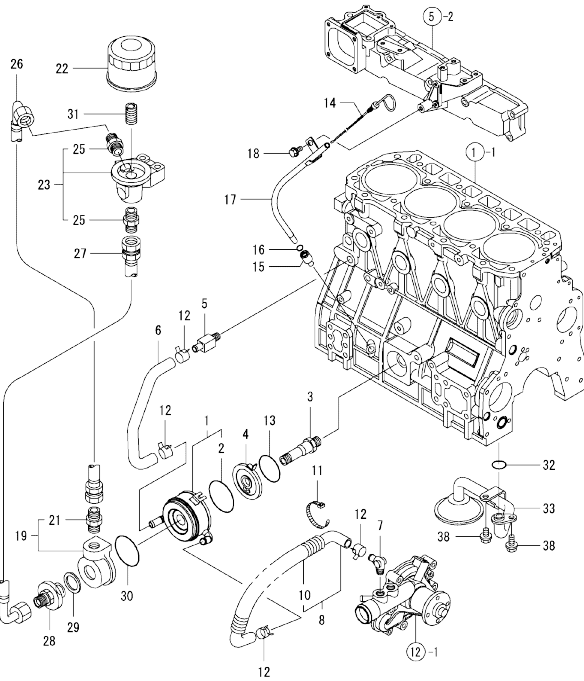
Remarks

- (1)Repair parts.
- (2)Under-sized(U.S.=0.25) parts.
- (3)Over-sized(O.S.=0.25) parts.

Fig.10. LUB. OIL SYSTEM

(A)=4TNV98T-ZNLYS
(B)=
(C)=

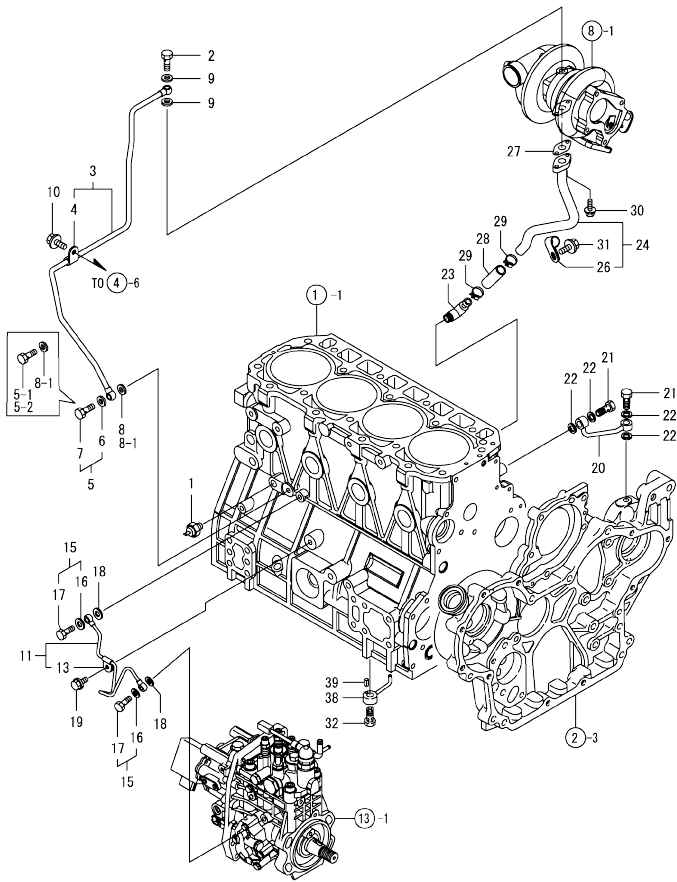
(D)=
(E)=
(F)=



No.	Lev.	Parts No.	Description	Q'ty						I	R
				(A)	(B)	(C)	(D)	(E)	(F)		
1	1	129908-33010	COOLER ASSY, OIL	1							
2	2	123912-33050	O-RING	1							
3	1	123912-33100	BOLT, COOLER	1							
4	1	129908-33101	BRACKET, OIL COOLER	1							
5	1	129006-44480	JOINT	1							
6	1	129908-49060	HOSE, WATER	1							
7	1	129466-49300	ELBOW, PT3/8	1							
8	1	123910-49600	HOSE ASSY WATER	1							
10	2	123910-49610	TUBE, CORRUGATED	1							
11	1	121750-59890	BAND, NYLON	1							
12	1	23000-025000	CLAMP, 25	4							
13	1	24321-000600	O-RING, 1AG60.0	1							
14	1	129951-34801	DIPSTICK	1							
15	1	119260-34810	GUIDE, DIPSTICK	1							
16	1	24316-240100	O-RING, 4DP10A	1							
17	1	129928-34850	GUIDE, DIPSTICK	1							
18	1	26106-080162	BOLT, M8X 16 PLATED	1							
19	1	123945-35110	CASE ASSY	1							
21	2	129953-39500	ADAPTER, R-G1/2	1							
22	1	129150-35153	FILTER ASSY, D80X80L	1							1
23	1	129944-35210	BRACKET ASSY	1							
25	2	129953-39500	ADAPTER, R-G1/2	2							
26	1	129944-39101	PIPE, OIL	1							
27	1	129953-39101	HOSE ASSY, OIL	1							
28	1	129953-35110	RETAINER, CASE	1							
29	1	22190-300002	WASHER, SEAL 30	1							
30	1	24321-000700	O-RING, 1AG70.0	1							
31	1	119000-35140	BOLT, STUD FILTER	1							
32	1	129900-32030	O-RING, P20	1							
33	1	129900-35000	PIPE ASSY, OIL INLET	1							
38	1	26106-080122	BOLT, M8X 12 PLATED	2							

Remarks
(1)Repair parts.

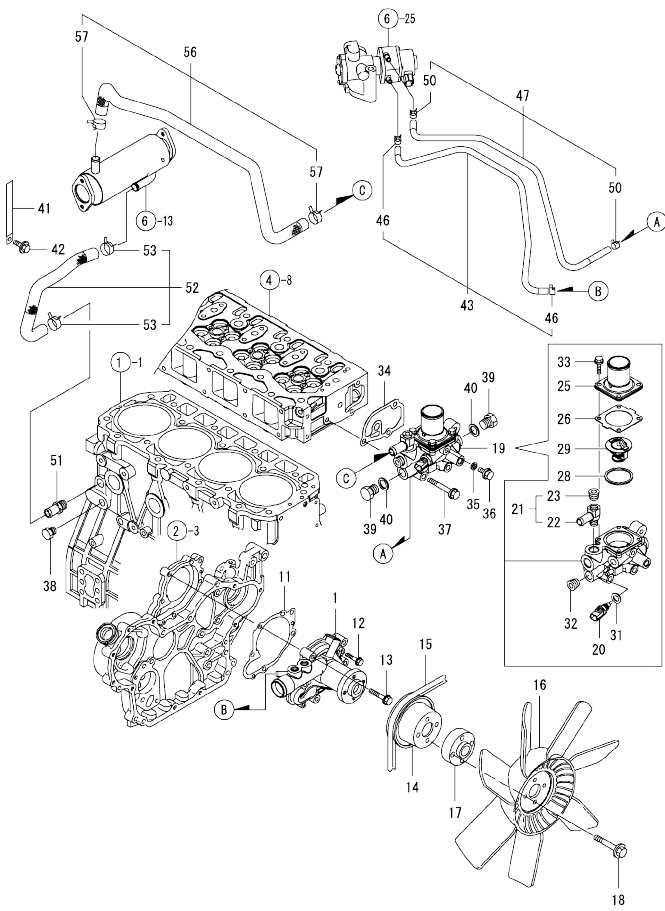
Fig.11. LUB. OIL PIPING



No.	Lev.	Parts No.	Description	Q'ty						I	R
				(A)	(B)	(C)	(D)	(E)	(F)		
1	1	119761-39450	SWITCH, HYDRAULIC	1							
2	1	121252-39150	BOLT, JOINT M10X1.5	1							
3	1	129928-39450	PIPE ASSY, OIL	1							
4	2	124223-39900	RETAINER	1							
5	1	129005-59830	BOLT ASSY, JOINT M8	1							
5-1	1	105010-39140	BOLT, PIPE JOINT M8	1							S
(A=EA7629)											
5-2	1	129198-59540	BOLT, PIPE JOINT M8	1							S
(A=2020.06)											
6	2	22190-080002	WASHER, SEAL 6	1							Z
(A=EA7629)											
7	2	23857-030000	BOLT, JOINT 3	1							Z
(A=EA7629)											
8	1	22190-080002	WASHER, SEAL 6	1							
8-1	1	22190-080002	WASHER, SEAL 8	2							K
(A=EA7629)											
9	1	23414-100000	GASKET, 10X1.0	2							
10	1	26106-080122	BOLT, M8X 12 PLATED	1							
11	1	129927-39060	PIPE ASSY, OIL	1							
13	2	123907-39500	RETAINER, PIPE	1							
15	1	129005-59830	BOLT ASSY, JOINT M8	2							
16	2	22190-080002	WASHER, SEAL 6	2							
17	2	23857-030000	BOLT, JOINT 3	2							
18	1	22190-080002	WASHER, SEAL 6	2							
19	1	26106-080122	BOLT, M8X 12 PLATED	1							
20	1	129930-39050	PIPE, OIL	1							
21	1	105010-39140	BOLT, PIPE JOINT	2							
22	1	22190-080002	WASHER, SEAL 6	4							
23	1	124070-13300	ELBOW, PT3/8	1							
24	1	129935-39610	PIPE, OIL	1							
26	2	123910-39850	RETAINER	1							
27	1	129908-39690	GASKET	1							
28	1	123901-39820	HOSE, LO RETURN	1							
29	1	23000-025000	CLAMP, 25	2							
30	1	26106-060162	BOLT, M6X 16 PLATED	2							
31	1	26106-080122	BOLT, M8X 12 PLATED	1							
32	1	129908-39410	VALVE ASSY, CHECK	4							
38	1	119000-39650	NOZZLE, COOLING	4							
39	1	22351-030010	PIN, SPRING 3.0X10	4							

N:Old $\frac{New}{Old}$ New, Q:Old $\frac{New}{Old}$ New, R:Old $\frac{New}{Old}$ New, S:Old $\frac{New}{Old}$ New, W:Add, Z:Discontinued, F:Interchangeable by set, K:Qty Change
 Copyright (C) YANMAR GLOBAL CS CO., LTD. All Rights Reserved.

Fig.12. COOLING WATER SYSTEM



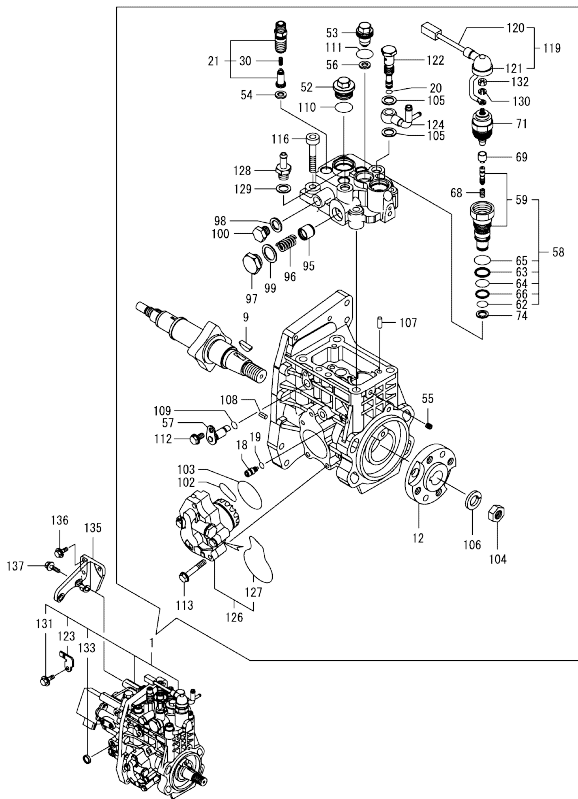
(A)=4TNV98T-ZNLYS
(B)=
(C)=

(D)=
(E)=
(F)=

No.	Lev.	Parts No.	Description	Qty						I	R
				(A)	(B)	(C)	(D)	(E)	(F)		
1	1	129948-42100	PUMP ASSY, WATER	1							
11	1	129900-42020	GASKET, WATER PUMP	1							
12	1	26106-060302	BOLT, M6X 30 PLATED	2							
13	1	26106-080552	BOLT, M8X 55 PLATED	5							
14	1	123900-42470	V-PULLEY, C.W.PUMP	1							
15	1	129948-42240	V-BELT, B43.0	1							
16	1	123900-44740	FAN, COOLING D500	1							
17	1	123900-44761	SPACER, FAN	1							
18	1	26106-100452	BOLT, M10X 45 PLATED	4							
19	1	129928-49800	CASE ASSY,THERMOSTAT	1							
20	2	129927-44900	SENSOR, WATER TEMP.	1							
21	2	129928-49400	JOINT ASSY	1							
22	3	129928-49410	JOINT	1							
23	3	23875-030000	PLUG, R03	1							
25	2	129916-49530	COVER, THERMOSTAT	1							
26	2	121850-49540	GASKET, THERMOSTAT	1							
28	2	121850-49550	GASKET, THERMOSTAT	1							
29	2	121850-49810	THERMOSTAT, 71C	1							
31	2	22190-120002	WASHER, SEAL 12	1							
32	2	23875-030000	PLUG, R03	1							
33	2	26106-060202	BOLT, M6X 20 PLATED	4							
34	1	129900-49870	GASKET, THERMOSTAT	1							
35	1	23414-080000	GASKET, 8X1.0	1							
36	1	26106-080122	BOLT, M8X 12 PLATED	1							
37	1	26106-080602	BOLT, M8X 60 PLATED	3							
38	1	171056-49120	PLUG, DRAIN R1/4	1							
39	1	121450-42450	PLUG, M16	2							
40	1	124465-44950	GASKET, 16	2							
41	1	129928-79700	CLAMP, 150-M8	1							
42	1	26106-080122	BOLT, M8X 12 PLATED	1							
43	1	129927-49610	HOSE ASSY, WATER	1							
46	2	23080-012000	CLAMP, 12	2							
47	1	129927-49620	HOSE ASSY, WATER	1							
50	2	23080-012000	CLAMP, 12	2							
51	1	129928-49420	JOINT	1							
52	1	129948-49610	HOSE ASSY, WATER	1							
53	2	129960-03990	CLAMP, HOSE 19.8	2							
56	1	129948-49620	HOSE ASSY, WATER	1							
57	2	129960-03990	CLAMP, HOSE 19.8	2							

N:Old $\frac{100}{100}$ New, Q:Old $\frac{100}{100}$ New, R:Old $\frac{100}{100}$ New, S:Old $\frac{100}{100}$ New, W:Add, Z:Discontinued, F:Interchangeable by set, K:Qty Change
Copyright (C) YANMAR GLOBAL CS CO., LTD. All Rights Reserved.

Fig.13. FUEL INJECTION PUMP

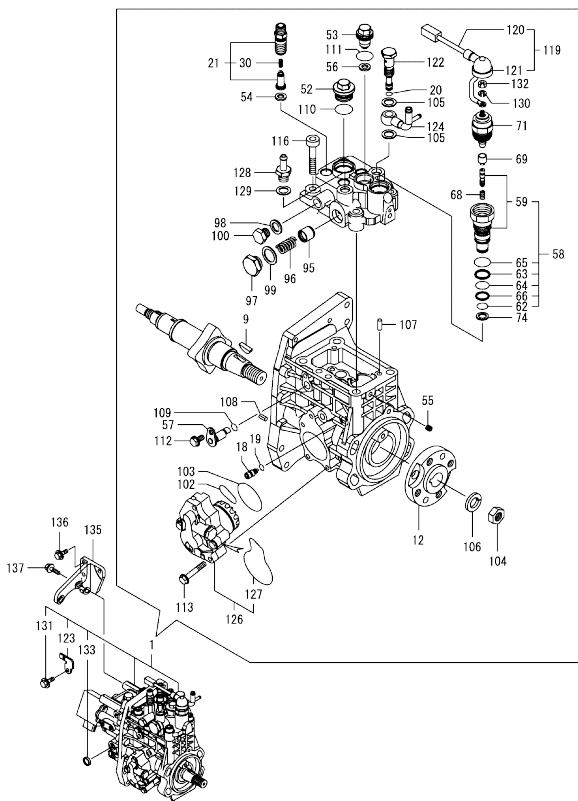


Remarks
 (1)Governor(Fig.14) is incorporated in this Fuel Injection Pump(No.1).
 * Eco pump
 Make sure to update the engines ECU information when replacing the Eco pump.
 Failing to do so will result in engine malfunction.

No.	Lev.	Parts No.	Description	Q'ty						I	R
				(A)	(B)	(C)	(D)	(E)	(F)		
1	1	729949-51320	FIE ASSY	1							1
9	2	144626-51090	FEATHER KEY, 5X19	1							
12	2	158563-51150	FLANGE	1							
18	2	158600-51270	STOPPER, TAPPET	1							
19	2	158563-51281	O-RING, 4D S6	1							
20	2	158563-51281	O-RING, 4D S6	1							
21	2	129928-51390	VALVE ASSY, DELIVERY	4							
30	3	158563-51330	SPRING, DELIVERY	4							
52	2	158601-51550	PLUG, M22	1							
53	2	129907-51560	PLUG, M16	1							
54	2	158552-51570	GASKET, PLUG	4							
55	2	158557-51570	PLUG, RACK	1							
56	2	129906-51580	GASKET, PLUG	1							
57	2	158552-51580	LIFTER, LINK	1							
58	2	129657-51590	TIMER ASSY	1							
59	3	129657-51600	TIMER ASSY	1							
62	3	158553-51670	O-RING	1							
63	3	119802-51680	RING, BACKUP	1							
64	3	119802-51690	O-RING	1							
65	3	24356-010200	O-RING, 4D1020	1							
66	3	24372-000150	RING, BACK UP T2P15	1							
68	2	119852-51630	SPRING, TIMER	1							
69	2	119852-51640	CAP, TIMER	1							
71	2	119852-51650	VALVE ASSY, SOLENOID	1							
74	2	158553-51680	GASKET, TIMER	1							
95	2	158601-51770	PISTON, ACCUMULATOR	1							
96	2	158552-51781	SPRING, ACCUMULATOR	1							
97	2	158601-51790	PLUG	1							
98	2	22190-120002	WASHER, SEAL 12	1							
99	2	22190-180002	WASHER, SEAL 18	1							
100	2	158553-51930	PLUG, M12	1							
102	2	158552-52311	O-RING	1							
103	2	158552-52400	O-RING, 4E S42	1							
104	2	26776-180002	NUT, LOCK M18	1							
105	2	22190-120002	WASHER, SEAL 12	2							
106	2	22217-180000	WASHER, SPRING 18	1							
107	2	22312-050140	PIN, PARALLEL M5X14	2							
108	2	22351-050010	PIN, SPRING 5.0X10	2							
109	2	24311-000070	O-RING, 1AP7.0	1							
110	2	24356-010200	O-RING, 4D1020	1							
111	2	24356-020210	O-RING, 4D2021	1							
112	2	26106-060102	BOLT, M6X 10 PLATED	1							
113	2	26106-060352	BOLT, M6X 35 PLATED	4							
116	2	26450-100452	BOLT, M10X 45	4							
119	2	129927-51650	HARNES ASSY, WIRE	1							
120	3	129927-51660	HARNES	1							
121	3	129263-77941	CAP, RUBBER	1							
122	2	158601-51650	JOINT, OVER FLOW	1							
123	2	129927-51670	BRACKET	1							
124	2	158552-51670	JOINT, OVER FLOW	1							
126	2	158552-52100	PUMP ASSY, FUEL FEED	1							

N:Old ^{REV}/_{REV} New, Q:Old ^{REV}/_{REV} New, R:Old ^{REV}/_{REV} New, S:Old ^{REV}/_{REV} New, W:Add, Z:Discontinued, F:Interchangeable by set, K:Q'ty Change
 ++ CONTINUE ++ Copyright (C) YANMAR GLOBAL CS CO., LTD. All Rights Reserved.

Fig.13. FUEL INJECTION PUMP



No.	Lev.	Parts No.	Description	Q'ty					
				(A)	(B)	(C)	(D)	(E)	(F)
127	3	158552-52500	O-RING	1					
128	2	119934-59910	JOINT, PIPE	1					
129	2	22190-120002	WASHER, SEAL 12	1					
130	2	22217-050000	WASHER, SPRING 5	1					
131	2	26106-060122	BOLT, M6X 12 PLATED	1					
132	2	26716-050002	NUT, M5	1					
133	2	27241-160000	PLUG, 16	1					
135	1	129927-51250	RETAINER, PUMP	1					
136	1	26106-080202	BOLT, M8X 20 PLATED	3					
137	1	26106-080302	BOLT, M8X 30 PLATED	3					

(A)=4TNV98T-ZNLYS
(B)=
(C)=

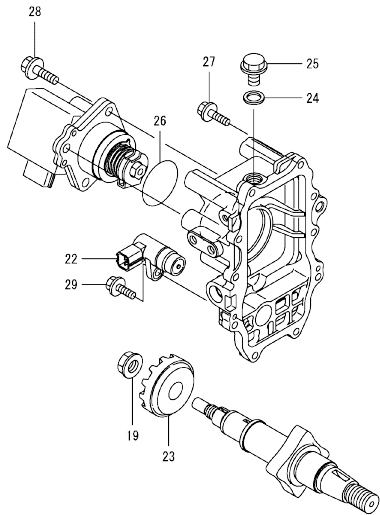
(D)=
(E)=
(F)=

Remarks

(1)Governor(Fig.14) is incorporated in this Fuel Injection Pump(No.1).
* Eco pump
Make sure to update the engines ECU information when replacing the Eco pump.
Failing to do so will result in engine malfunction.

0CW10-M56200 ENGINE
 Fig.14. GOVERNOR

0CW10-M56200 Fig.14



(A)=4TNV98T-ZNLYS
 (B)=
 (C)=

(D)=
 (E)=
 (F)=

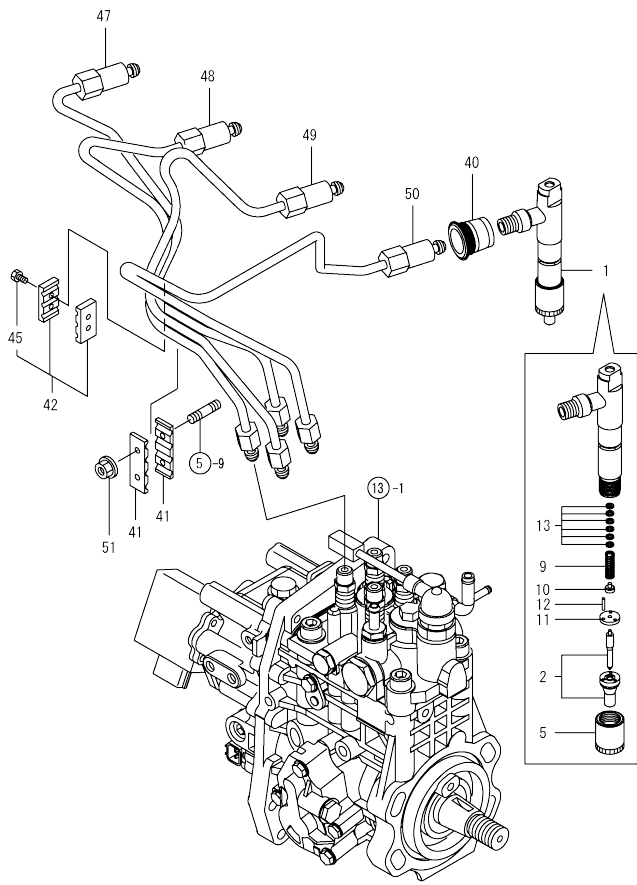
No.	Lev.	Parts No.	Description	Q'ty						I	R
				(A)	(B)	(C)	(D)	(E)	(F)		
19	2	129008-61301	NUT	1							
22	2	158557-61720	SENSOR	1							
23	2	158553-61780	GEAR, SENSOR	1							
24	2	22190-120000	WASHER, SEAL 12	1							
25	2	158553-51930	PLUG, M12	1							
26	2	24341-000480	O-RING, 1AS48.0	1							
27	2	26106-060252	BOLT, M6X 25 PLATED	10							
28	2	26106-080252	BOLT, M8X 25 PLATED	3							
29	2	26106-080162	BOLT, M8X 16 PLATED	1							

Remarks

* This figure(Governor) is incorporated in the Fuel Injection Pump(Fig.13).

N:Old $\frac{100}{100}$ New, Q:Old $\frac{100}{100}$ New, R:Old $\frac{100}{100}$ New, S:Old $\frac{100}{100}$ New, W:Add, Z:Discontinued, F:Interchangeable by set, K:Q'ty Change
 Copyright (C) YANMAR GLOBAL CS CO., LTD. All Rights Reserved.

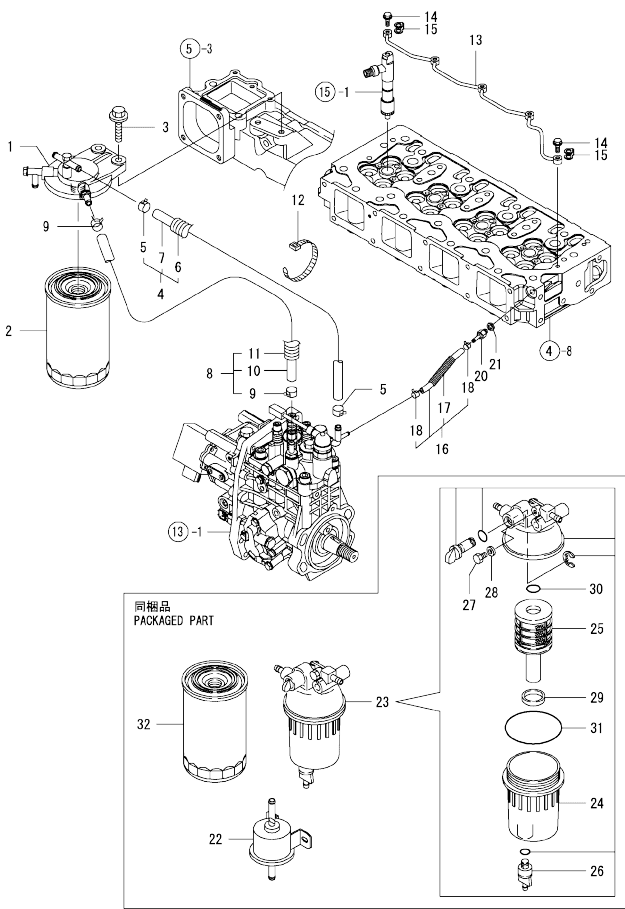
Fig.15. FUEL INJECTION VALVE



No.	Lev.	Parts No.	Description	Q'ty					
				(A)	(B)	(C)	(D)	(E)	(F)
1	1	729928-53100	FUEL INJECTOR ASSY	4					
2	2	129928-53000	NOZZLE ASSY, F.I.	4					
5	2	114250-53080	NUT, NOZZLE	4					
9	2	114250-53120	SPRING, NOZZLE	4					
10	2	114250-53130	SEAT, SPRING	4					
11	2	114250-53140	SPACER	4					
12	2	114250-53210	PIN	8					
13	2	119803-53400	SHIM SET	4					
40	1	123907-11601	SEAL, PIPE	4					
41	1	123472-59120	RETAINER, PIPE	2					
42	1	129150-59120	RETAINER, PIPE	1					
45	2	129150-59131	BOLT, M4X14	2					
47	1	129927-59810	PIPE ASSY, INJECTION	1					
48	1	129927-59820	PIPE ASSY, INJECTION	1					
49	1	129927-59830	PIPE ASSY, INJECTION	1					
50	1	129927-59840	PIPE ASSY, INJECTION	1					
51	1	26366-060002	NUT, M6	2					

N:Old $\frac{100}{100}$ New, Q:Old $\frac{100}{100}$ New, R:Old $\frac{100}{100}$ New, S:Old $\frac{100}{100}$ New, W:Add, Z:Discontinued, F:Interchangeable by set, K:Q'ty Change
 Copyright (C) YANMAR GLOBAL CS CO., LTD. All Rights Reserved.

Fig.16. FUEL PIPING

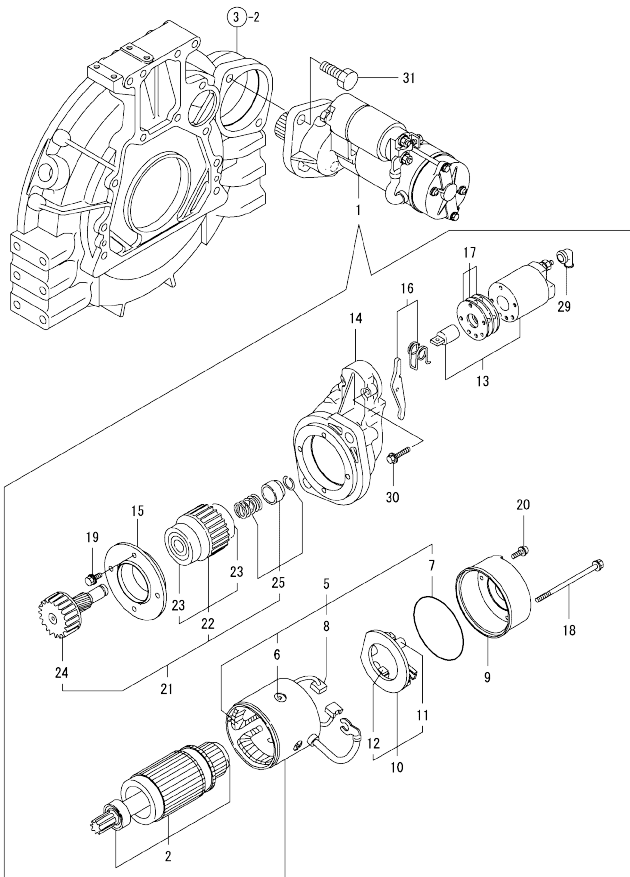


(A)=4TNV98T-ZNLYS
(B)=
(C)=

(D)=
(E)=
(F)=

No.	Lev.	Parts No.	Description	Qty						I	R
				(A)	(B)	(C)	(D)	(E)	(F)		
1	1	129004-55612	BRACKET, FILTER	1							
2	1	129907-55801	FILTER, FUEL	1							
3	1	26106-080302	BOLT, M8X 30 PLATED	2							
4	1	129457-59010	HOSE ASSY, FUEL	1							
5	2	124766-59050	CLAMP, HOSE 11.5	2							
6	2	129957-59120	TUBE, CORRUGATED 15	1							
7	2	105025-59750	HOSE, FUEL	1							
8	1	129961-59310	HOSE ASSY, FUEL	1							
9	2	124766-59050	CLAMP, HOSE 11.5	2							
10	2	129136-59110	HOSE, D13/7.5X270	1							
11	2	129961-59110	TUBE, CORRUGATED 15	1							
12	1	121750-59890	BAND, NYLON	1							
13	1	129907-59140	PIPE ASSY, RETURN	1							
14	1	123907-59540	BOLT, PIPE JOINT M6	5							
15	1	123907-59550	GASKET	5							
16	1	129927-59550	HOSE ASSY RETURN	1							
17	2	129263-49750	TUBE, CORRUGATED	1							
18	2	124722-59050	CLAMP, HOSE 9	2							
20	1	123907-59560	JOINT, HOSE	1							
21	1	22190-080002	WASHER, SEAL 6	1							
22	1	119225-52102	PUMP, FUEL FEED	1							
23	1	129245-55700	SEPARATOR ASSY, WATER	1							
24	2	129245-55720	CUP ASSY, SEPARATOR	1							
25	2	129242-55730	ELEMENT, FUEL	1							
26	2	129242-55740	PLUG, DRAIN	1							
27	2	129242-55750	VALVE, AIR VENT	1							
28	2	129242-55760	GASKET, PLUG	1							
29	2	129242-55770	FLOAT	1							
30	2	24311-000160	O-RING, 1AP16.0	1							
31	2	24321-000750	O-RING, 1AG75.0	1							
32	1	129907-55801	FILTER, FUEL	1							

Fig.17. STARTER MOTOR

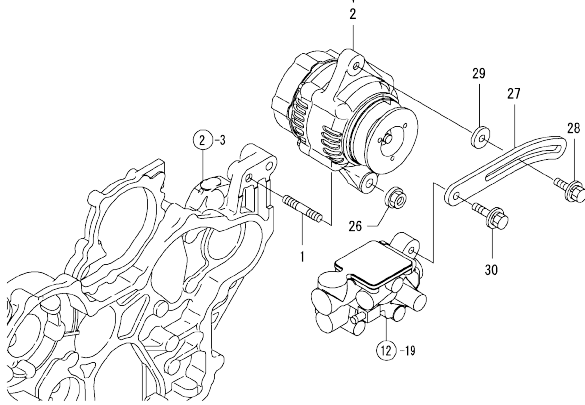
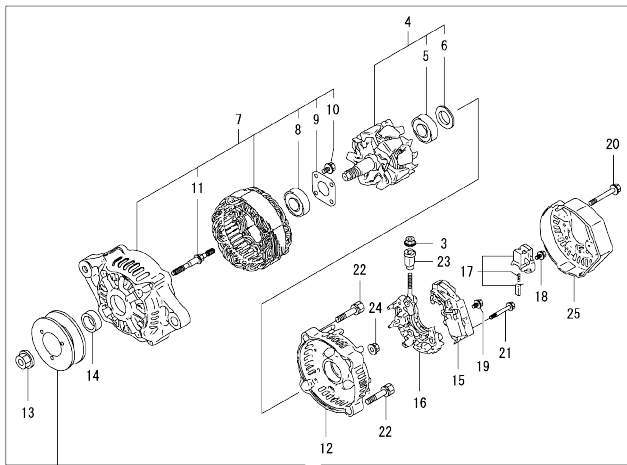


(A)=4TNV98T-ZNLYS
(B)=
(C)=

(D)=
(E)=
(F)=

No.	Lev.	Parts No.	Description	Q'ty					
				(A)	(B)	(C)	(D)	(E)	(F)
1	1	129940-77010	STARTER ASSY	1					
2	2	129940-77100	ARMATURE ASSY	1					
5	2	129940-77130	COIL ASSY, FIELD	1					
6	3	129940-77140	SCREW, CORE SET	4					
7	3	129940-77150	O-RING	1					
8	3	129940-77160	BRUSH	2					
9	2	129940-77170	COVER	1					
10	2	129940-77180	HOLDER ASSY, BRUSH	1					
11	3	129940-77190	SPRING, BRUSH	1					
12	3	129940-77200	BRUSH	2					
13	2	129940-77210	SWITCH ASSY, MAGNET	1					
14	2	129940-77220	CASE, GEAR	1					
15	2	129940-77230	RETAINER, BEARING	1					
16	2	129940-77240	LEVER SET	1					
17	2	129940-77250	COVER KIT, DUST	1					
18	2	129940-77260	BOLT, THROUGH	2					
19	2	129940-77270	BOLT	4					
20	2	129940-77280	SCREW	2					
21	2	123900-77510	PINION ASSY	1					
22	3	123900-77520	CLUTCH ASSY	1					
23	4	X2240610100	BEARING, BALL	2					
24	3	123900-77540	SHAFT, PINION	1					
25	3	119131-77550	STOPPER SET, PINION	1					
29	2	121254-77810	COVER, TERMINAL	1					
30	2	114371-79070	BOLT	2					
31	1	26116-120302	BOLT, M12X 30 PLATED	2					

Fig.18. GENERATOR

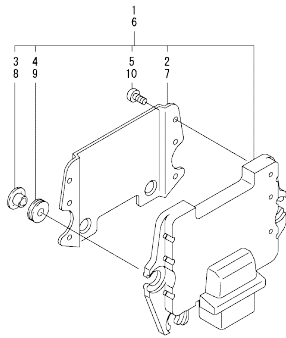


(A)=4TNV98T-ZNLYS
(B)=
(C)=

(D)=
(E)=
(F)=

No.	Lev.	Parts No.	Description	Qty						I	R
				(A)	(B)	(C)	(D)	(E)	(F)		
1	1	129795-01900	BOLT, STUD M10X33	1							
2	1	123951-77200	GENERATOR ASSY, 55A	1							
3	2	X9490561001	NUT	1							
4	2	129052-77380	ROTOR ASSY	1							
5	3	125301-79240	BEARING, BALL	1							
6	3	119620-79250	COVER, BEARING	1							
7	2	129052-77421	FRAME ASSY	1							
8	3	119620-79200	BEARING, BALL	1							
9	3	119620-79210	RETAINER	1							
10	3	119620-79220	SCREW	4							
11	3	119620-79230	BOLT, STUD	2							
12	2	128401-77440	COVER	1							
13	2	119620-77470	NUT	1							
14	2	119620-77490	COLLAR	1							
15	2	119626-77710	REGULATOR ASSY	1							
16	2	129052-79260	HOLDER	1							
17	2	129052-79270	HOLDER, BRUSH	1							
18	2	119620-79290	SCREW	6							
19	2	119620-79300	SCREW	1							
20	2	119620-79310	BOLT	3							
21	2	119620-79320	SCREW	2							
22	2	119620-79330	BOLT	2							
23	2	119620-79340	BUSH, INSULATION	1							
24	2	119620-79350	NUT	2							
25	2	119626-77450	FRAME	1							
26	1	26306-100002	NUT, M10	1							
27	1	129916-77300	ADJUSTER, BELT	1							
28	1	119810-77340	BOLT, ADJUST L=30	1							
29	1	121236-77340	SPACER	1							
30	1	26014-080302	BOLT, M8X 30	1							

Fig.19. ELECTRONIC CONTROL UNIT(ECU)



(A)=4TNV98T-ZNLYS
(B)=
(C)=

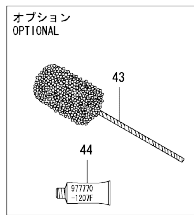
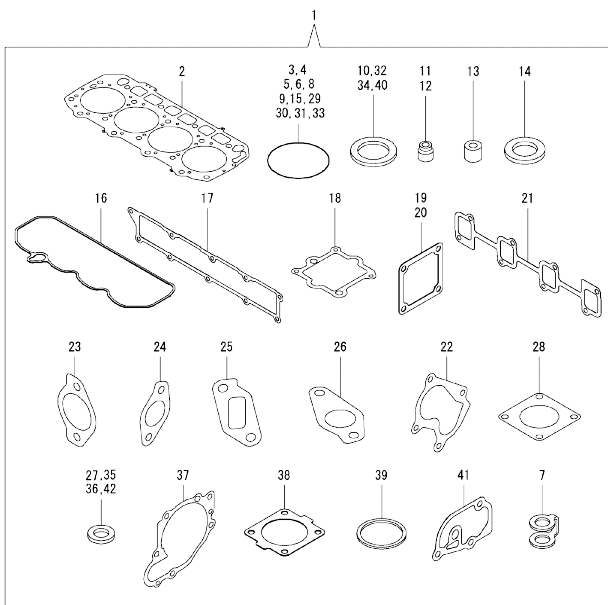
(D)=
(E)=
(F)=

No.	Lev.	Parts No.	Description	Q'ty					
				(A)	(B)	(C)	(D)	(E)	(F)
1	1	129949-75080	ECU ASSY	1					
2	2	129927-77600	SHIELD, ECU	1					
3	2	129927-77680	COLLAR, CONTROL	3					
4	2	119578-91351	ABSORBER	3					
5	2	22877-500080	SCREW, 5X 8	6					
6	1	129927-75900	ECU ASSY, SERVICE	1					2
7	2	129927-77600	SHIELD, ECU	1					
8	2	129927-77680	COLLAR, CONTROL	3					
9	2	119578-91351	ABSORBER	3					
10	2	22877-500080	SCREW, 5X 8	6					

Remarks

- (1)Eco ECU
This part cannot be ordered.
- Replace the part using a Service ECU with the proper engine information installed.
- (2)Service ECU
If the proper information is not installed, the engine will not operate.
- To install proper information, go to an authorized distributor.

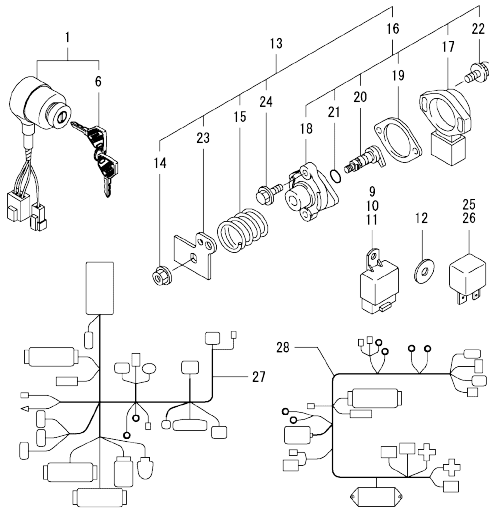
Fig.20. GASKET SET



Remarks
(1)Optional parts.

No.	Lev.	Parts No.	Description	Qty						I	R	
				(A)	(B)	(C)	(D)	(E)	(F)			
1	1	129933-92600	GASKET SET	1							1	
2	2	129907-01331	GASKET, HEAD	1								
3	2	129900-32030	O-RING, P20	2								
4	2	129900-32040	O-RING, P14	1								
5	2	24311-000070	O-RING, 1AP7.0	1								
6	2	24351-030750	O-RING, 1A3075	1								
7	2	123907-59550	GASKET	5								
8	2	24311-000320	O-RING, 1AP32.0	2								
9	2	24321-000850	O-RING, 1AG85.0	1								
10	2	22190-220002	WASHER, SEAL 22	1								
11	2	119803-11340	SEAL, VALVE STEM	8								
12	2	124160-11340	SEAL, VALVE STEM	8								
13	2	119802-11870	PROTECTOR, NOZZLE	4								
14	2	119625-11880	SEAT, NOZZLE	4								
15	2	24311-000120	O-RING, 1AP12.0	8								
16	2	129933-11310	GASKET, BONNET	1								
17	2	129907-12110	GASKET, MANIFOLD	1								
18	2	129928-13720	GASKET	1								
19	2	119129-77020	GASKET	1								
20	2	121850-77021	GASKET, AIR HEATER	1								
21	2	129900-13251	GASKET, EXH.MANIFOLD	1								
22	2	123901-18080	GASKET	1								
23	2	129928-13410	GASKET	2								
24	2	129927-13810	GASKET	1								
25	2	129927-13910	GASKET, EGR	1								
26	2	129927-13920	GASKET, EGR	1								
27	2	124465-44950	GASKET, 16	1								
28	2	129472-18090	GASKET	1								
29	2	24341-000530	O-RING, 1AS53.0	1								
30	2	24321-000600	O-RING, 1AG60.0	1								
31	2	24311-240100	O-RING, 1AP10A	1								
32	2	22190-300002	WASHER, SEAL 30	1								
33	2	24321-000700	O-RING, 1AG70.0	1								
34	2	22190-080002	WASHER, SEAL 6	11								
35	2	23414-100000	GASKET, 10X1.0	2								
36	2	129908-39690	GASKET	1								
37	2	129900-42020	GASKET, WATER PUMP	1								
38	2	121850-49540	GASKET, THERMOSTAT	1								
39	2	121850-49550	GASKET, THERMOSTAT	1								
40	2	22190-120002	WASHER, SEAL 12	1								
41	2	129900-49870	GASKET, THERMOSTAT	1								
42	2	23414-080000	GASKET, 8X1.0	1								
43	1	129400-92450	HONE, FLEX	1								1
44	1	977770-1207F	GASKET, LIQUID	1								1

Fig.21. BUNDLED ITEMS



(A)=4TNV98T-ZNLYS
(B)=
(C)=

(D)=
(E)=
(F)=

No.	Lev.	Parts No.	Description	Q'ty						I	R
				(A)	(B)	(C)	(D)	(E)	(F)		
1	1	194940-52110	SWITCH, STARTING	1							
1-1	1	129902-77500	SWITCH ASSY, STARTER	1							N
		(A=EX1015)									
6	2	198360-52160	KEY ASSY, SPARE	1							
9	1	198461-52950	RELAY, CA TYPE C	1							
10	1	198461-52950	RELAY, CA TYPE C	1							
11	1	198461-52950	RELAY, CA TYPE C	1							
12	1	129927-77690	WASHER, ECU	3							
13	1	129938-77800	SENSOR ASSY, ACCEL	1							
14	2	194990-22130	NUT, M6	1							
15	2	119060-61990	SPRING, RETURN	1							
16	2	129054-77800	SENSOR ASSY, ACCEL	1							
17	3	185100-50070	BODY	1							
18	3	129054-77811	SUPPORT, SENSOR	1							
19	3	129054-77820	GASKET	1							
20	3	129054-77830	SHAFT ASSY	1							
21	3	24311-000070	O-RING, 1AP7.0	1							
22	3	26023-040202	SCREW, M4X20	2							
23	2	129938-77810	LEVER, SENSOR	1							
24	2	26106-060122	BOLT, M6X 12 PLATED	2							
25	1	129927-77920	RELAY, ISO 70A	1							
26	1	129927-77920	RELAY, ISO 70A	1							
27	1	129927-91040	HARNESS, WIRE	1							
28	1	129927-91050	HARNESS, WIRE	1							

Parts No. Index

Parts No.	Fig. No.	Ref. No.	Parts No.	Fig. No.	Ref. No.	Parts No.	Fig. No.	Ref. No.	Parts No.	Fig. No.	Ref. No.
105010-39140	11	5 -1	119761-39450	11	1	123907-39500	11	13	129150-11750	4	49
		21	119802-11870	4	31	123907-59540	16	14	129150-14200	7	1
105025-59750	16	7		20	13	123907-59550	16	15	129150-25920	7	13
114250-53080	15	5	119802-13790	6	16		20	7	129150-35153	10	22
114250-53120	15	9	119802-51680	13	63	123907-59560	16	20	129150-59120	15	42
114250-53130	15	10	119802-51690	13	64	123910-39850	11	26	129150-59131	15	45
114250-53140	15	11	119803-11340	4	21	123910-49600	10	8	129198-59540	11	5 -2
114250-53210	15	12		20	11	123910-49610	10	10	129242-55730	16	25
114371-79070	17	30	119803-53400	15	13	123912-03250	4	80	129242-55740	16	26
119000-35140	10	31	119810-77340	18	28	123912-33050	10	2	129242-55750	16	27
119000-39650	11	38	119852-51630	13	68	123912-33100	10	3	129242-55760	16	28
119005-77051	5	19	119852-51640	13	69	123945-35110	10	19	129242-55770	16	29
119060-61990	21	15	119852-51650	13	71	123951-18220	5	14	129245-55700	16	23
119100-11330	4	63	119934-59910	13	128	123951-77200	18	2	129245-55720	16	24
119129-77020	5	17	120130-22301	9	21	124070-13300	11	23	129263-49750	16	17
	20	19	121023-26071	2	26	124160-01751	2	20	129263-77941	13	121
119129-77520	5	20	121236-77340	18	29		4	56	129400-92450	20	43
119131-18320	8	4	121252-39150	11	2	124160-11340	4	22	129410-03990	4	72
119131-77550	17	25	121254-77810	17	29		20	12	129418-18320	6	3
119140-12680	5	29	121450-42450	12	39	124160-11360	4	67			4
119160-12530	5	25	121750-59890	10	11	124223-39900	11	4	129457-59010	16	4
119160-12540	5	26		16	12	124465-44950	12	40	129466-49300	10	7
119160-12570	5	27	121850-21130	9	11		20	27	129472-18090	8	2
		37	121850-21290	9	4	124722-59050	16	18		20	28
119225-52102	16	22	121850-21920	9	5	124766-59050	16	5	129509-79700	4	64
119260-34810	10	15	121850-49540	12	26			9	129657-51590	13	58
119578-91351	19	4		20	38	125301-79240	18	5	129657-51600	13	59
		9	121850-49550	12	28	128401-77440	18	12	129795-01900	18	1
119593-11301	4	36		20	39	129004-55612	16	1	129900-01200	1	27
119620-01750	3	4	121850-49810	12	29	129005-59830	11	5	129900-01250	1	4
119620-11180	4	20	121850-77021	5	18			15	129900-01620	3	2
119620-77470	18	13		20	20	129006-44480	10	5	129900-01850	2	15
119620-77490	18	14	123472-59120	15	41	129008-61301	14	19	129900-01870	2	16
119620-79200	18	8	123900-13630	6	6	129052-77380	18	4	129900-02020	1	6
119620-79210	18	9	123900-25060	7	9	129052-77421	18	7	129900-02341	1	33
119620-79220	18	10	123900-42470	12	14	129052-79260	18	16	129900-02410	1	9
119620-79230	18	11	123900-44740	12	16	129052-79270	18	17	129900-02931	1	24
119620-79250	18	6	123900-44761	12	17	129054-77800	21	16	129900-02941	1	36
119620-79290	18	18	123900-77510	17	21	129054-77811	21	18	129900-13251	6	5
119620-79300	18	19	123900-77520	17	22	129054-77820	21	19		20	21
119620-79310	18	20	123900-77540	17	24	129054-77830	21	20	129900-14110	7	6
119620-79320	18	21	123901-03240	4	78	129100-01580	2	1	129900-14140	2	32
119620-79330	18	22	123901-18080	6	9		3	1	129900-21220	9	3
119620-79340	18	23		20	22	129136-59110	16	10	129900-21600	9	14
119620-79350	18	24	123901-39820	11	28	129150-02450	7	4	129900-23001	9	23
119625-11880	4	32	123907-11280	4	41	129150-03100	4	74	129900-23200	9	26
	20	14	123907-11550	4	7	129150-11230	4	44	129900-23601	9	27
119626-77450	18	25	123907-11601	15	40			48	129900-23611	9	30
119626-77710	18	15	123907-11820	4	27	129150-11750	4	25	129900-23911	9	29
119640-01640	3	9	123907-11830	4	26			45	129900-25110	7	10

Parts No. Index

Parts No.	Fig. No.	Ref. No.	Parts No.	Fig. No.	Ref. No.	Parts No.	Fig. No.	Ref. No.	Parts No.	Fig. No.	Ref. No.
129900-26030	7	17	129908-39690	20	36	129928-13710	5	5	129948-07900	4	2
129900-26250	2	6	129908-49060	10	6	129928-13720	5	6	129948-11300	4	57
129900-32030	2	7	129916-01790	3	7		20	18	129948-13800	6	17
	10	32	129916-01800	2	31	129928-13900	6	25	129948-13810	6	19
	20	3	129916-21610	9	7	129928-18200	5	12	129948-42100	12	1
129900-32040	2	8	129916-49530	12	25	129928-22080	9	15	129948-42240	12	15
	20	4	129916-77300	18	27	129928-34850	10	17	129948-49610	12	52
129900-35000	10	33	129927-13810	6	18	129928-39450	11	3	129948-49620	12	56
129900-42020	12	11		20	24	129928-49400	12	21	129949-07911	4	3
	20	37	129927-13910	6	26	129928-49410	12	22	129949-12560	5	31
129900-49870	12	34		20	25	129928-49420	12	51	129949-75080	19	1
	20	41	129927-13920	6	27	129928-49800	12	19	129951-01740	2	22
129902-77500	21	1 -1		20	26	129928-51390	13	21	129951-34801	10	14
129906-51580	13	56	129927-22050	9	17	129928-53000	15	2	129953-21570	9	12
129907-01331	1	28	129927-39060	11	11	129928-79700	12	41	129953-25300	7	15
	20	2	129927-42140	2	12 A	129930-39050	11	20	129953-35110	10	28
129907-03011	4	58	129927-44900	12	20	129933-01520	2	3	129953-39101	10	27
129907-03061	4	59	129927-49610	12	43	129933-11310	4	62	129953-39500	10	21
129907-03070	4	60	129927-49620	12	47		20	16		25	25
129907-07900	4	1	129927-51250	13	135	129933-92600	20	1	129957-59120	16	6
129907-11100	4	17	129927-51650	13	119	129935-12500	5	23	129960-03990	12	53
129907-11110	4	18	129927-51660	13	120	129935-12520	5	24		57	57
129907-11120	4	19	129927-51670	13	123			36	129960-21640	9	8
129907-11250	4	38	129927-59550	16	16	129935-13600	6	8	129961-59110	16	11
129907-11260	4	39	129927-59810	15	47	129935-18010	8	1	129961-59310	16	8
129907-11270	4	40	129927-59820	15	48	129935-39610	11	24	129972-03220	4	76
129907-11341	4	37	129927-59830	15	49	129938-77800	21	13	129972-03230	4	77
129907-11510	4	23	129927-59840	15	50	129938-77810	21	23	129972-03240	4	75
129907-11650	4	42	129927-75900	19	6	129940-77010	17	1	129974-18210	5	13
129907-11660	4	46	129927-77600	19	2	129940-77100	17	2	144626-51090	13	9
129907-11800	4	30			7	129940-77130	17	5	158552-51570	13	54
129907-11910	4	33	129927-77680	19	3	129940-77140	17	6	158552-51580	13	57
129907-11920	4	50			8	129940-77150	17	7	158552-51670	13	124
129907-11950	4	34	129927-77690	21	12	129940-77160	17	8	158552-51781	13	96
129907-12110	5	1	129927-77920	21	25	129940-77170	17	9	158552-52100	13	126
	20	17			26	129940-77180	17	10	158552-52311	13	102
129907-14400	7	2	129927-91040	21	27	129940-77190	17	11	158552-52400	13	103
129907-25900	7	16	129927-91050	21	28	129940-77200	17	12	158552-52500	13	127
129907-51560	13	53	129928-01710	3	8	129940-77210	17	13	158553-51670	13	62
129907-55801	16	2	129928-11700	4	8	129940-77220	17	14	158553-51680	13	74
		32	129928-12060	5	30	129940-77230	17	15	158553-51930	13	100
129907-59140	16	13	129928-12100	5	3	129940-77240	17	16		14	25
129908-13510	6	7	129928-12150	5	2	129940-77250	17	17	158553-61780	14	23
129908-14590	7	3	129928-13100	6	2	129940-77260	17	18	158557-51570	13	55
129908-21100	9	1	129928-13150	6	1	129940-77270	17	19	158557-61720	14	22
129908-32060	2	4	129928-13400	6	13	129940-77280	17	20	158563-51150	13	12
129908-33010	10	1	129928-13410	6	14	129944-21650	9	9	158563-51281	13	19
129908-33101	10	4			15	129944-35210	10	23		20	20
129908-39410	11	32			20	129944-39101	10	26	158563-51330	13	30
129908-39690	11	27	129928-13700	5	4	129948-03080	4	70	158600-51270	13	18

Parts No. Index

Parts No.	Fig. No.	Ref. No.	Parts No.	Fig. No.	Ref. No.	Parts No.	Fig. No.	Ref. No.	Parts No.	Fig. No.	Ref. No.
158601-51550	13	52	23000-080000	5	16	26014-080302	18	30	26106-080602	12	37
158601-51650	13	122	23000-090000	5	33	26023-040202	21	22	26106-080702	2	17
158601-51770	13	95	23065-160250	4	82	26106-060102	13	112			25
158601-51790	13	97	23080-012000	12	46	26106-060122	4	65	26106-080802	5	11
171051-01921	1	5			50		13	131	26106-080902	5	22
171056-49120	12	38	23414-080000	12	35		21	24	26106-100202	2	28
185100-50070	21	17		20	42	26106-060162	11	30	26106-100252	6	23
194940-52110	21	1	23414-100000	11	9	26106-060202	5	7	26106-100402	6	28
194990-22130	21	14		20	35			8	26106-100452	12	18
198360-52160	21	6	23857-030000	11	7		12	33	26106-101052	6	29
198461-52950	21	9		17		26106-060252	14	27	26116-050102	4	79
		10	23875-030000	12	23	26106-060302	12	12	26116-120302	17	31
		11			32	26106-060352	13	113	26206-100352	3	5
22190-080002	11	6	23876-020000	4	14	26106-080122	3	12	26206-100702	3	6
		8	23876-030000	1	11		10	38	26216-060202	5	9
		8 -1			12		11	10	26216-100302	2	5
		16			13			19	26226-080222	4	51
		18			29			31	26306-080002	4	55
		22			15		12	36		6	12
	16	21	24311-000070	2	9			42			24
	20	34		13	109	26106-080142	4	83		8	3
22190-120000	14	24		20	5	26106-080162	2	11	26306-100002	2	14
22190-120002	12	31		21	21			18		18	26
	13	98	24311-000120	4	35			23	26366-060002	15	51
		105			68			4	26450-100452	13	116
		129		20	15			6	26716-050002	13	132
22190-180002	20	40	24311-000160	16	30			7	26776-180002	13	104
22190-220002	13	99	24311-000320	2	21			10	27241-160000	13	133
	3	11		4	69			14	27241-300000	1	14
	20	10		20	8	26106-080202	2	12	27241-400000	4	16
22190-300002	10	29	24311-240100	20	31		4	5	27310-070001	4	28
	20	32	24316-240100	10	16			6	729900-02801	1	30
22217-050000	13	130	24321-000600	10	13		6	11	729907-01559	2	29
22217-180000	13	106		20	30		13	136	729927-22950	9	34
22252-000300	9	22	24321-000700	10	30	26106-080252	14	28	729928-01560	1	1
22312-050140	13	107		20	33	26106-080302	13	137	729928-22900	9	32
22351-030010	11	39	24321-000750	16	31		16	3	729928-53100	15	1
22351-050010	13	108	24321-000850	2	27	26106-080352	6	20	729949-51320	13	1
22351-060012	1	10		20	9	26106-080402	2	19	977770-1207F	20	44
22512-070140	7	7	24341-000480	14	26			24	X2240610100	17	23
	9	6	24341-000530	9	10		4	52	X9490561001	18	3
22857-500100	4	66		20	29		5	21			
22877-500080	19	5	24351-030750	2	10	26106-080452	2	13			
		10		20	6		5	10			
23000-022000	4	81	24356-010200	13	65		6	21			
23000-025000	10	12			110	26106-080552	6	22			
	11	29	24356-020210	13	111		7	14			
23000-054000	5	15	24372-000150	13	66		12	13			
23000-060000	5	32	26013-080222	5	34	26106-080602	4	53			
23000-070000	5	16 -1			35			54			