

0CW10-M44500EN

P R E F A C E

1. This Parts Catalog carries all parts incorporated in YANMAR Model 4TNV98T-ZGGE, 4TNV98T-ZGGEC, 4TNV98T-ZGGEH, 4TNV98T-ZGGET engine manufactured since July, 2008.
2. Each illustration corresponds to the parts list on the following page.
3. When ordering parts, clearly write down the engine model and serial number, as well as the name and number of each part in your order sheet. This will help insure reliable delivery of the parts you have ordered.

Directions for the Parts Catalog.

1. The parts stipulated in this Parts Catalog are not necessarily standard equipped parts.
2. Parts may change without prior notice.
3. The following is an example of the Parts Catalog format.

REF.	LEV.	PARTS NO.	DESCRIPTION	Q'TY						I	R
				(A)	(B)	(C)	(D)	(E)	(F)		
1	1	729595-51390	FUEL INJECTION PUMP	1	1	1	1	1			1
1-1	1	729595-51391	FUEL INJECTION PUMP	1	1	1	1	1		N	1
		(A=E00185) (B=E00200)									
3	2	26022-060162	SCREW M 6X 16	9	9	9	9	9			
3-1	2	26022-060162	SCREW M 6X 16	4	4	4	4	4		K	
		(A=E00156) (B=E00156) (C=E00156) (D=E00156) (E=E00156)									
4	2	129470-51040	CAMSHAFT	1	1	1	1	1			
5	2	122710-51050	BEARING, ROLLER	2	2	2	2	2			
6	2	129470-51060	RETAINER	1	1	1	1	1			

Remarks
(1) BOOST COMPEMSATOR TYPE. OPTIONAL PART, TO E00155,(4JH-DT, 4JH-DTZ

① Ref. No.

The Ref. No. listed may not be in accordance with the illustration Ref. No.

(Ex.) Illustration No.

List Ref No.

1 1 (Before change) → 1-1 (After change)

For interchangeable symbols N, R and K, illustrations for new parts may be abbreviated.

② Lev. (Level)

Level indication

The numbers below indicate the level of relativity towards the main part.

1 ---- Main parts (Assembly parts)

2 ---- Sub component included in " 1 ".

3 ---- Sub component included in " 2 ".

Note) Parts that are not for sale are partially illustrated but not listed.

③ Interchangeability Mark

When a part change takes place, one of the following interchangeability symbols is indicated beside the part.

Symbol	Interchangeability	Contents note
N	Old $\begin{matrix} \leftarrow \text{Yes} \\ \text{No} \rightarrow \end{matrix}$ New	New Part is interchangeable for Old Part but Old Part is not interchangeable for New Part.
Q	Old $\begin{matrix} \leftarrow \text{No} \\ \text{Yes} \rightarrow \end{matrix}$ New	New Part is not interchangeable for Old Part but Old Part is interchangeable for New Part.
R	Old $\begin{matrix} \leftarrow \text{Yes} \\ \text{Yes} \rightarrow \end{matrix}$ New	New/ Old Parts are both interchangeable.
S	Old $\begin{matrix} \leftarrow \text{No} \\ \text{No} \rightarrow \end{matrix}$ New	New/ Old Parts are both not interchangeable.
W		Part newly added.
Z		Part discontinued.
F		Not interchangeable by a single part but interchangeable together with related parts.
K		Changes only for used parts quantities.

④ Effective Machine No.

When a part changes, the effective Machine No. will be indicated in the (A)-(F) column.

Product Symbol	Product No.	Product Symbol	Product No.
C	Clutch No. Compressor No.	F	Machine No. (Agricultural Equip.)
D	Drive No.	M	Machine No.
E	Engine No.		

Note 1) A date may follow the symbol. (Ex.) 1996.01

Note 2) "XXXXX" and "ZZZZZ" are for parts that could not be predicted or for engine models that could not be identified.

Note 3) (A=E00185) is the E (Engine Serial Number) for the column (A) model (in this case 4JH-DT) after the parts design change.

⑤ Remarks Mark

Figures or alphabets (symbols) are entered in the remarks column.

The comments (remarks) on parts that are indicated at the bottom of the illustration are the same symbols as those stated above.

Contents

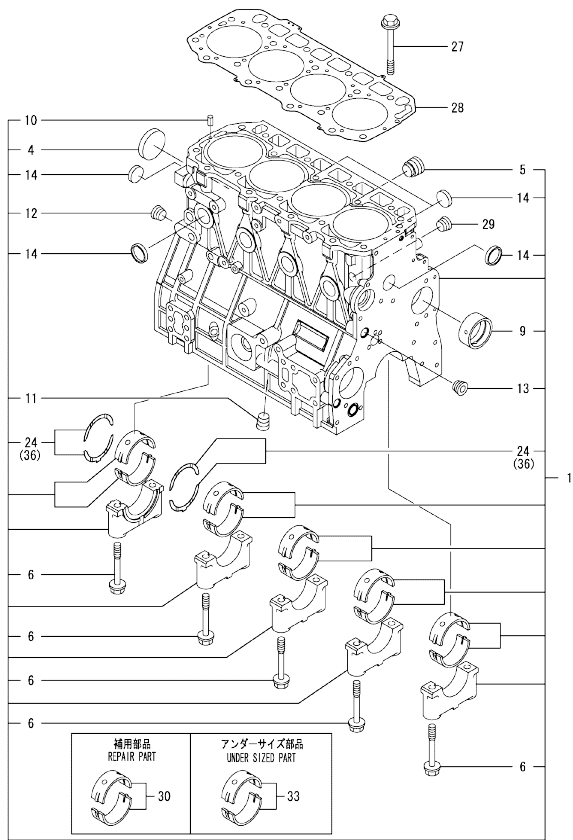
0CW10-M44500

Fig. No.	Fig. Name	Fig. No.	Fig. Name
4	TNV98T-ZGGE,4TNV98T-ZGGEH		
1.	CYLINDER BLOCK		
2.	GEAR HOUSING		
3.	FLYWHEEL HOUSING & OIL SUMP		
4.	CYLINDER HEAD & BONNET		
5.	SUCTION MANIFOLD & AIR CLEANER		
6.	EXHAUST MANIFOLD		
7.	CAMSHAFT & DRIVING GEAR		
8.	TURBINE		
9.	CRANKSHAFT & PISTON		
10.	LUB.OIL SYSTEM		
11.	LUB.OIL LINE		
12.	COOLING WATER SYSTEM		
13.	COOLING WATER SYSTEM		
14.	FUEL INJECTION PUMP		
15.	GOVERNOR		
16.	FUEL INJECTION VALVE		
17.	FUEL LINE		
18.	STARTING MOTOR		
22.	(18A)STARTING MOTOR		
19.	GENERATOR		
20.	ELECTRONIC CONTROL UNIT (ECU)		
21.	GASKET SET		

Fig.1. CYLINDER BLOCK

(A)=4TNV98T-ZGGE
(B)=4TNV98T-ZGGEH
(C)=4TNV98T-ZGGET

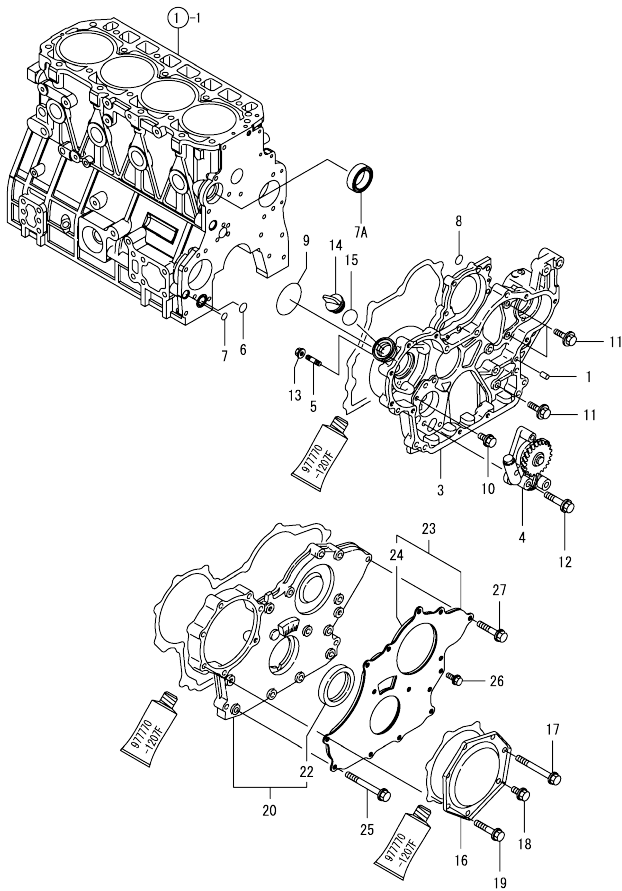
(D)=4TNV98T-ZGGEC
(E)=
(F)=



No.	Lev.	Parts No.	Description	Q'ty						I	R
				(A)	(B)	(C)	(D)	(E)	(F)		
1	1	729928-01560	BLOCK ASSY, CYLINDER	1	1	1	1				
4	2	129900-01250	PLUG, DISH TYPE 55	1	1	1	1				
5	2	171051-01921	PLUG, NPTF1	1	1	1	1				
6	2	129900-02020	BOLT, METAL CAP	10	10	10	10				
9	2	129900-02410	BUSH, CAMSHAFT	1	1	1	1				
10	2	22351-060012	PIN, SPRING 6.0X12	2	2	2	2				
11	2	23876-030000	PLUG, R03	1	1	1	1				
12	2	23876-030000	PLUG, R03	1	1	1	1				
13	2	23876-030000	PLUG, R03	1	1	1	1				
14	2	27241-300000	PLUG 30	8	8	8	8				
24	2	129900-02931	BEARING ASSY, THRUST	2	2	2	2				
27	1	129900-01200	BOLT, CYLINDER HEAD	18	18	18	18				
28	1	129907-01331	GASKET, HEAD	1	1	1	1				
29	1	23876-030000	PLUG, R03	1	1	1	1				
30	1	729900-02801	BEARING, MAIN	5	5	5	5				1
33	1	129900-02341	BEARING ASSY, MAIN	5	5	5	5				2
36	1	129900-02941	BEARING, THRUST 0.25	2	2	2	2				3

Remarks
(1) REPAIR PART.
(2) UNDER-SIZED(U.S=0.25)PART.
(3) OVER-SIZED(O.S=0.25)PART.

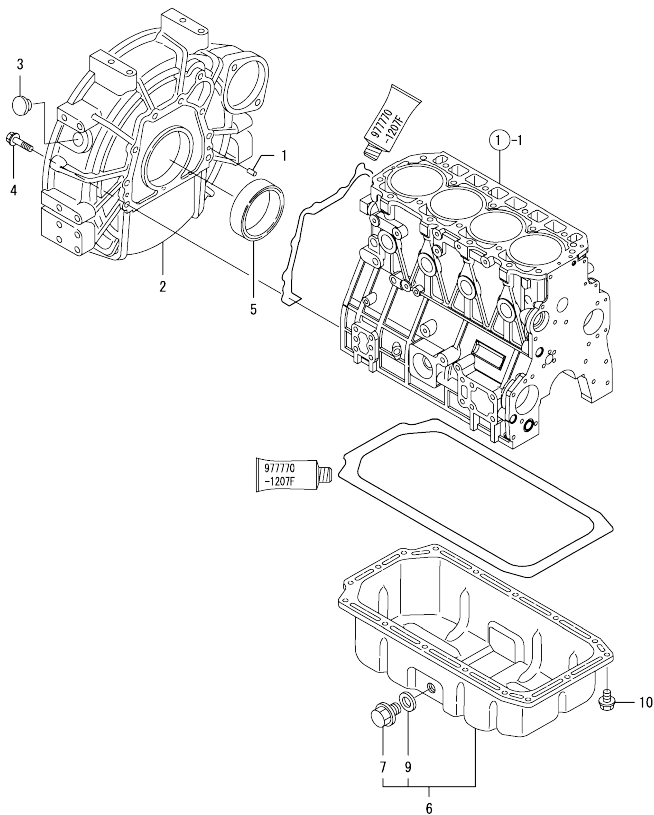
Fig.2. GEAR HOUSING



(A)=4TNV98T-ZGGE (D)=4TNV98T-ZGGE
(B)=4TNV98T-ZGGEH (E)=
(C)=4TNV98T-ZGGET (F)=

No.	Lev.	Parts No.	Description	Qty						I	R
				(A)	(B)	(C)	(D)	(E)	(F)		
1	1	129100-01580	PIN, PARALLEL 8X16	4	4	4	4				
3	1	129935-01500	CASE, GEAR	1	1	1	1				
4	1	129908-32060	PUMP ASSY, OIL	1	1	1	1				
5	1	26216-100302	STUD, M10X 30	4	4	4	4				
6	1	129900-32030	O-RING, P20	1	1	1	1				
7	1	129900-32040	O-RING, P14	1	1	1	1				
7A	1	129927-42140	GASKET, PUMP OUTLET	1	1	1	1				W
		(A=EU0689) (B=ET7639) (C=ET8560) (D=ET8677)									
8	1	24311-000070	O-RING, 1A P7.0	1	1	1	1				
9	1	24351-030750	O-RING, 1A3075	1	1	1	1				
10	1	26106-080162	BOLT, M8X 16 PLATED	1	1	1	1				
11	1	26106-080202	BOLT, M8X 20 PLATED	3	3	3	3				
12	1	26106-080452	BOLT, M8X 45 PLATED	3	3	3	3				
13	1	26306-100002	NUT, M10	4	4	4	4				
14	1	124160-01751	CAP, FILLER	1	1	1	1				
15	1	24311-000320	O-RING, 1A P32.0	1	1	1	1				
16	1	129900-01740	COVER	1	1	1	1				
17	1	129001-91810	BOLT, M8X70	1	1	1	1				
18	1	26106-080162	BOLT, M8X 16 PLATED	1	1	1	1				
19	1	26106-080402	BOLT, M8X 40 PLATED	5	5	5	5				
20	1	729907-01559	COVER ASSY,GEAR CASE	1	1	1	1				
22	2	129916-01800	SEAL, OIL	1	1	1	1				
23	1	129900-01850	COVER ASSY,GEAR CASE	1	1	1	1				
24	2	129900-01870	SPONGE, GEAR CASE	1	1	1	1				
25	1	129001-91810	BOLT, M8X70	6	6	6	6				
26	1	26106-080162	BOLT, M8X 16 PLATED	3	3	3	3				
27	1	26106-080402	BOLT, M8X 40 PLATED	5	5	5	5				

Fig.3. FLYWHEEL HOUSING & OIL SUMP



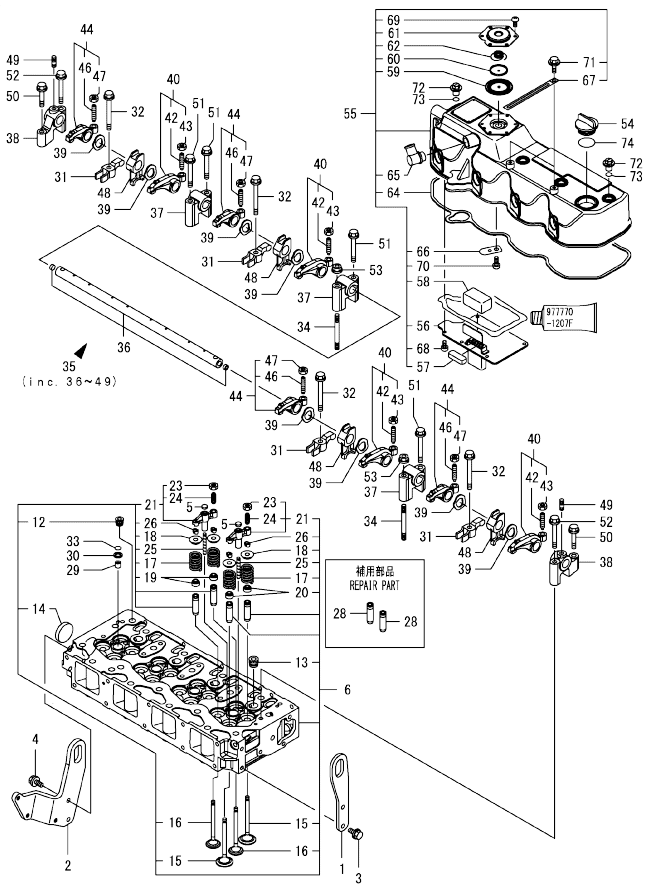
(A)=4TNV98T-ZGGE
(B)=4TNV98T-ZGGEH
(C)=4TNV98T-ZGGET

(D)=4TNV98T-ZGGE
(E)=
(F)=

No.	Lev.	Parts No.	Description	Q'ty						I	R
				(A)	(B)	(C)	(D)	(E)	(F)		
1	1	129100-01580	PIN, PARALLEL 8X16	2	2	2	2				
2	1	129915-01610	HOUSING, FLYWHEEL	1	1	1	1				
3	1	119000-01840	PLUG, RUBBER	1	1	1	1				
4	1	26206-100352	BOLT, M10X 35 PLATED	9	9	9	9				
5	1	124411-01780	SEAL, HTC95X115X12	1	1	1	1				
6	1	129982-01710	OIL PAN ASSY	1	1	1	1				
7	2	119640-01640	PLUG, DRAIN M22	1	1	1	1				
9	2	22190-220002	WASHER, SEAL 22	1	1	1	1				
10	1	26106-080122	BOLT, M8X 12 PLATED	16	16	16	16				

0CW10-M44500 4TNV98T-ZGGE,4TNV98T-ZGGEH
 Fig.4. CYLINDER HEAD & BONNET

0CW10-M44500 Fig.4



(A)=4TNV98T-ZGGE
 (B)=4TNV98T-ZGGEH
 (C)=4TNV98T-ZGGET
 (D)=4TNV98T-ZGGE
 (E)=
 (F)=

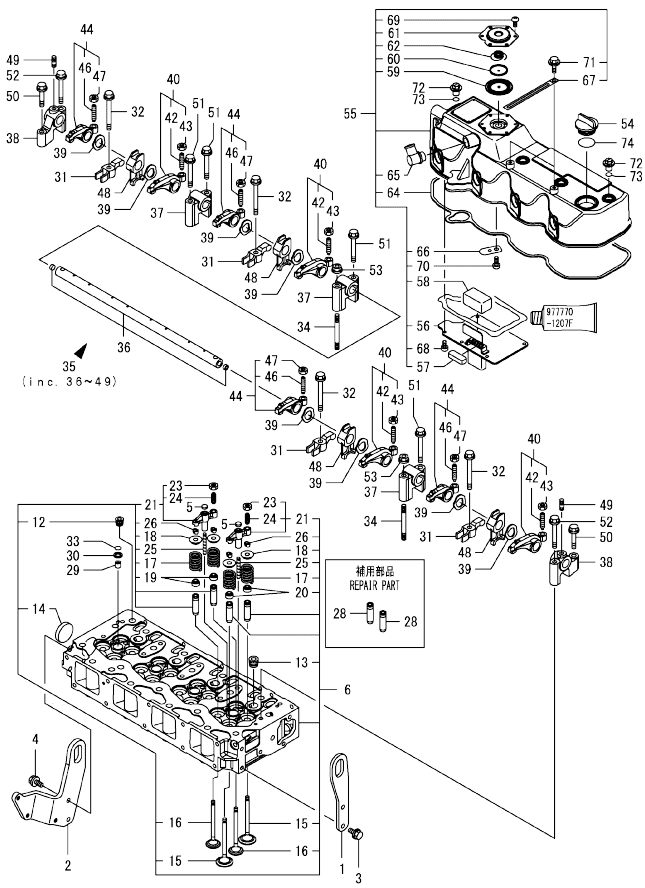
No.	Lev.	Parts No.	Description	Q'ty						I	R
				(A)	(B)	(C)	(D)	(E)	(F)		
1	1	129907-07900	LIFTER, ENGINE	1	1	1	1				
2	1	129948-07900	LIFTER, ENGINE	1	1	1	1				
3	1	26106-080162	BOLT, M8X 16 PLATED	2	2	2	2				
4	1	26106-080202	BOLT, M8X 20 PLATED	2	2	2	2				
5	1	123907-11550	SEAT, VALVE BRIDGE	8	8	8	8				
6	1	129928-11700	HEAD ASSY, CYLINDER	1	1	1	1				
12	2	23876-020000	PLUG, R02	1	1	1	1				
13	2	23876-030000	PLUG, R03	4	4	4	4				
14	2	27241-400000	PLUG, 40	1	1	1	1				
15	2	129907-11100	VALVE, SUCTION	8	8	8	8				
16	2	129907-11110	VALVE, EXHAUST	8	8	8	8				
17	2	129907-11120	SPRING, VALVE	16	16	16	16				
18	2	119620-11180	RETAINER, SPRING	16	16	16	16				
19	2	119803-11340	SEAL, VALVE STEM	8	8	8	8				
20	2	124160-11340	SEAL, VALVE STEM	8	8	8	8				
21	2	129907-11510	BRIDGE ASSY, VALVE	8	8	8	8				
23	3	129150-11750	NUT, M8	8	8	8	8				
24	3	123907-11830	ADJUSTER	8	8	8	8				
25	2	123907-11820	GUIDE, BRIDGE	8	8	8	8				
26	2	27310-070001	COTTER, 7	16	16	16	16				
28	1	129907-11800	GUIDE, VALVE	16	16	16	16				1
29	1	119802-11870	PROTECTOR, NOZZLE	4	4	4	4				
30	1	119625-11880	SEAT, NOZZLE	4	4	4	4				
31	1	129907-11910	RETAINER, NOZZLE	4	4	4	4				
32	1	129907-11950	BOLT, M8X75	4	4	4	4				
33	1	24311-000120	O-RING, 1AP12.0	4	4	4	4				
34	1	119593-11301	BOLT, STUD M8X80	2	2	2	2				
35	1	129907-11341	SHAFT ASSY, ROCKER	1	1	1	1				
36	2	129907-11250	SHAFT, ROCKER ARM	1	1	1	1				
37	2	129907-11260	SUPPORT, ROCKER ARM	3	3	3	3				
38	2	129907-11270	SUPPORT, ROCKER ARM	2	2	2	2				
39	2	123907-11280	WASHER	8	8	8	8				
40	2	129907-11650	ARM ASSY, ROCKER	4	4	4	4				
42	3	129150-11230	SCREW, VALVE ADJUST	4	4	4	4				
43	3	129150-11750	NUT, M8	4	4	4	4				
44	2	129907-11660	ARM ASSY, ROCKER	4	4	4	4				
46	3	129150-11230	SCREW, VALVE ADJUST	4	4	4	4				
47	3	129150-11750	NUT, M8	4	4	4	4				
48	2	129907-11920	RETAINER, NOZZLE	4	4	4	4				
49	2	26226-080222	STUD, M8X 22	2	2	2	2				
50	1	26106-080402	BOLT, M8X 40 PLATED	2	2	2	2				
51	1	26106-080602	BOLT, M8X 60 PLATED	4	4	4	4				
52	1	26106-080602	BOLT, M8X 60 PLATED	2	2	2	2				
53	1	26306-080002	NUT, M8	2	2	2	2				
54	1	124160-01751	CAP, FILLER	1	1	1	1				
55	1	129945-11320	BONNET ASSY, HEAD	1	1	1	1				
56	2	129907-03011	PLATE, BAFFLE	1	1	1	1				
57	2	129907-03061	BAFFLE, BREATHER	1	1	1	1				
58	2	129907-03070	BAFFLE, BREATHER	1	1	1	1				
59	2	123907-03100	DIAPHRAGM	1	1	1	1				
60	2	123907-03110	PLATE	1	1	1	1				

Remarks
 (1) REPAIR PART.

N:Old $\frac{New}{Old}$ New, Q:Old $\frac{New}{Old}$ New, R:Old $\frac{New}{Old}$ New, S:Old $\frac{New}{Old}$ New, W:Add, Z:Discontinued, F:Interchangeable by set, K:Q'ty Change
 ++ CONTINUE ++
 Copyright (C) YANMAR GLOBAL CS CO., LTD. All Rights Reserved.

0CW10-M44500 4TNV98T-ZGGE,4TNV98T-ZGGEH
 Fig.4. CYLINDER HEAD & BONNET

0CW10-M44500 Fig.4



(A)=4TNV98T-ZGGE
 (B)=4TNV98T-ZGGEH
 (C)=4TNV98T-ZGGET

(D)=4TNV98T-ZGGE
 (E)=
 (F)=

No.	Lev.	Parts No.	Description	Qty						I	R
				(A)	(B)	(C)	(D)	(E)	(F)		
61	2	123907-03120	PLATE, BREATHER	1	1	1	1				
62	2	123907-03140	SPRING, DIAPHRAGM	1	1	1	1				
64	2	129933-11310	GASKET, BONNET	1	1	1	1				
65	2	119100-11330	ELBOW, BREATHER	1	1	1	1				
66	2	129009-11340	SPRING, PLATE	1	1	1	1				
67	2	129509-79700	CLAMP, 140-M6	2	2	2	2				
68	2	22857-500100	SCREW, 5X10	6	6	6	6				
69	2	22857-500100	SCREW, 5X10	6	6	6	6				
70	2	22857-500100	SCREW, 5X10	1	1	1	1				
71	2	26106-060122	BOLT, M6X 12 PLATED	2	2	2	2				
72	1	124160-11360	KNOB	4	4	4	4				
73	1	24311-000120	O-RING, 1AP12.0	4	4	4	4				
74	1	24311-000320	O-RING, 1AP32.0	1	1	1	1				

Remarks
 (1) REPAIR PART.

N:Old $\frac{100}{100}$ New, Q:Old $\frac{100}{100}$ New, R:Old $\frac{100}{100}$ New, S:Old $\frac{100}{100}$ New, W:Add, Z:Discontinued, F:Interchangeable by set, K:Qty Change
 Copyright (C) YANMAR GLOBAL CS CO., LTD. All Rights Reserved.

Fig.5. SUCTION MANIFOLD & AIR CLEANER

(A)=4TNV98T-ZGGE (D)=4TNV98T-ZGGE
(B)=4TNV98T-ZGGEH (E)=
(C)=4TNV98T-ZGGET (F)=

No.	Lev.	Parts No.	Description	Q'ty						I	R
				(A)	(B)	(C)	(D)	(E)	(F)		
1	1	129907-12110	GASKET, MANIFOLD	1	1	1	1				
2	1	129945-12150	MANIFOLD ASSY,INTAKE	1	1	1	1				
3	2	129928-12100	MANIFOLD, AIR INTAKE	1	1	1	1				
4	2	129928-13710	SPACER, EGR VALVE	1	1	1	1				
5	2	129928-13720	GASKET	1	1	1	1				
6	2	26106-060202	BOLT, M6X 20 PLATED	3	3	3	3				
7	2	26216-060202	STUD, M6X 20	2	2	2	2				
8	1	26106-080452	BOLT, M8X 45 PLATED	6	6	6	6				
9	1	26106-080802	BOLT, M8X 80 PLATED	4	4	4	4				
10	1	129928-18200	DUCT, AIR	1	1	1	1				
11	1	129945-18210	JOINT, RUBBER	1	1	1	1				
12	1	129945-18220	JOINT, RUBBER	1	1	1	1				
13	1	23000-054000	CLAMP, 54	3	3	3	3				
14	1	23000-080000	CLAMP, 80	1	1	1	1				
14-1	1	23000-070000	CLAMP, 70	1	1	1	1				N
15	1	119129-77020	GASKET	1	1	1	1				
16	1	121850-77021	GASKET, AIR HEATER	1	1	1	1				
17	1	119005-77051	HEATER, AIR	1	1	1	1				
18	1	119129-77520	BEND	1	1	1	1				
19	1	26106-080402	BOLT, M8X 40 PLATED	2	2	2	2				
20	1	26106-080902	BOLT, M8X 90 PLATED	2	2	2	2				
21	1	129509-03050	JOINT, BREATHER	1	1	1	1				
22	1	129945-03080	HOSE ASSY, BREATHER	1	1	1	1				
24	2	129410-03990	CLAMP, HOSE 21.5	2	2	2	2				
26	1	129509-12070	HOSE, AIR INTAKE	1	1	1	1				
27	1	129945-12080	HOSE, AIR INTAKE	1	1	1	1				
28	1	23000-070000	CLAMP, 70	3		3	3				
29	1	23000-102000	CLAMP, 102	1		1	1				
30	1	129933-12500	AIR CLEANER ASSY		1						
31	2	129935-12520	ELEMENT, OUTER		1						
32	2	119160-12530	COVER ASSY		1						
33	2	119160-12540	VALVE		1						
34	2	121820-12590	NIPPLE		1						
35	1	129949-12560	BRACKET, CLEANER		1						
36	1	23000-060000	CLAMP, 60		3						
37	1	23000-090000	CLAMP, 90		1						

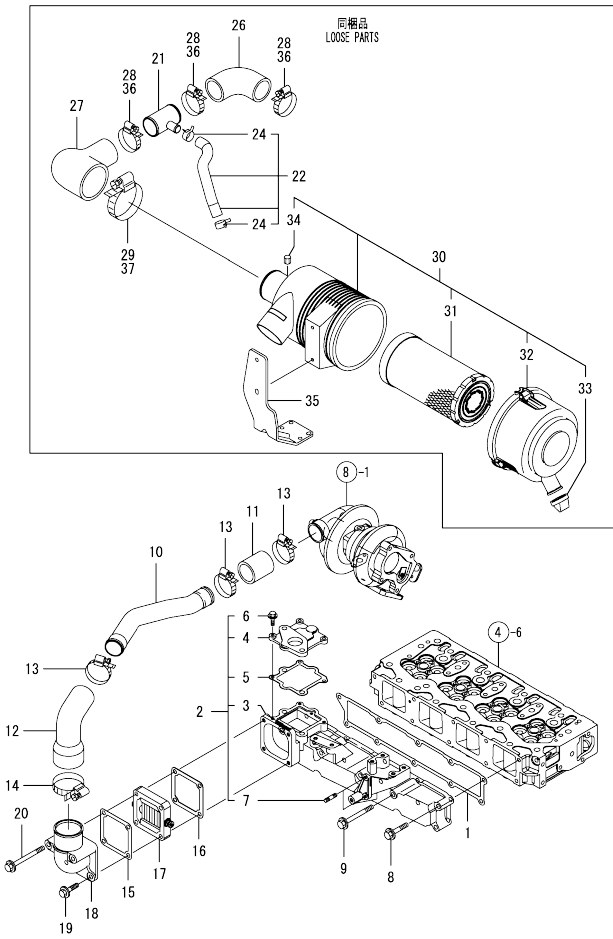
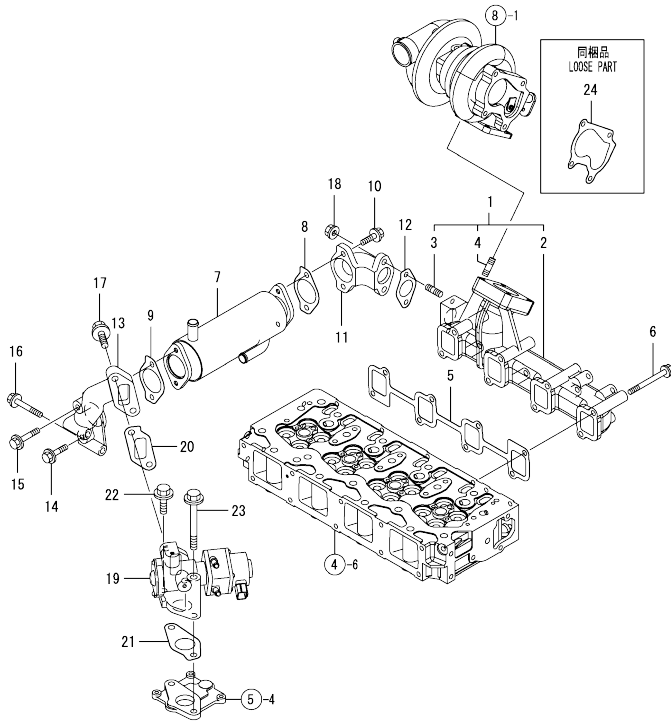


Fig.6. EXHAUST MANIFOLD

(A)=4TNV98T-ZGGE (D)=4TNV98T-ZGGE
 (B)=4TNV98T-ZGGEH (E)=
 (C)=4TNV98T-ZGGET (F)=



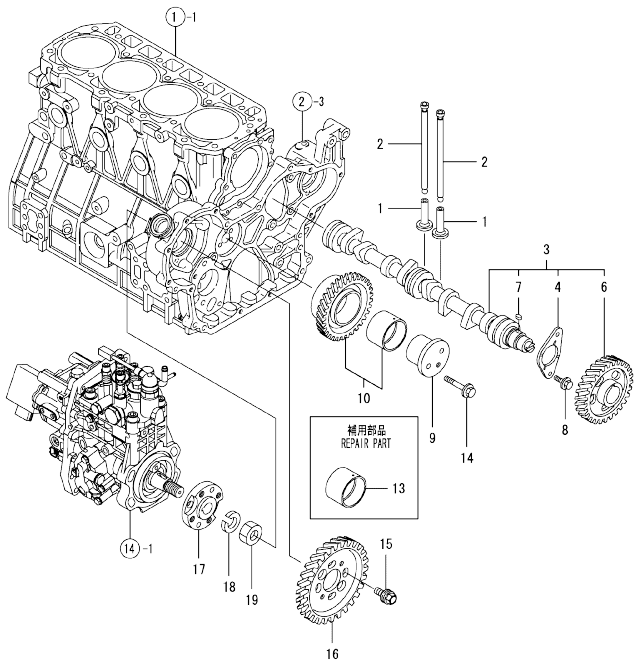
No.	Lev.	Parts No.	Description	Q'ty						I	R
				(A)	(B)	(C)	(D)	(E)	(F)		
1	1	129928-13150	MANIFOLD ASSY. EXH.	1	1	1	1				
2	2	129928-13100	MANIFOLD, EXHAUST	1	1	1	1				
3	2	129418-18320	BOLT, STUD M8X20	2	2	2	2				
4	2	129418-18320	BOLT, STUD M8X20	4	4	4	4				
5	1	129900-13251	GASKET, EXH.MANIFOLD	1	1	1	1				
6	1	123900-13630	BOLT, M8X80	8	8	8	8				
7	1	129928-13400	COOLER ASSY, EGR	1	1	1	1				
8	1	129928-13410	GASKET	1	1	1	1				
9	1	129928-13410	GASKET	1	1	1	1				
10	1	119802-13790	BOLT, M8X25 10.9T	2	2	2	2				
11	1	129948-13800	PIPE, EGR IN	1	1	1	1				
12	1	129927-13810	GASKET	1	1	1	1				
13	1	129948-13810	PIPE, EGR IN	1	1	1	1				
14	1	26106-080352	BOLT, M8X 35 PLATED	1	1	1	1				
15	1	26106-080452	BOLT, M8X 45 PLATED	1	1	1	1				
16	1	26106-080552	BOLT, M8X 55 PLATED	2	2	2	2				
17	1	26106-100252	BOLT, M10X 25 PLATED	2	2	2	2				
18	1	26306-080002	NUT, M8	2	2	2	2				
19	1	129927-13900	VALVE, EGR	1	1	1	1				
20	1	129927-13910	GASKET, EGR	1	1	1	1				
21	1	129927-13920	GASKET, EGR	1	1	1	1				
22	1	26106-100402	BOLT, M10X 40 PLATED	1	1	1	1				
23	1	26106-101052	BOLT, M10X105 PLATED	1	1	1	1				
24	1	123901-18080	GASKET	1	1	1	1				

0CW10-M44500 4TNV98T-ZGGE,4TNV98T-ZGGEH
 Fig.7. CAMSHAFT & DRIVING GEAR

0CW10-M44500 Fig.7

(A)=4TNV98T-ZGGE
 (B)=4TNV98T-ZGGEH
 (C)=4TNV98T-ZGGET

(D)=4TNV98T-ZGGE
 (E)=
 (F)=



No.	Lev.	Parts No.	Description	Q'ty						I	R
				(A)	(B)	(C)	(D)	(E)	(F)		
1	1	129150-14200	TAPPET	8	8	8	8				
2	1	129907-14400	PUSH-ROD	8	8	8	8				
3	1	129908-14581	CAMSHAFT ASSY	1	1	1	1				
4	2	129150-02450	BEARING, THRUST	1	1	1	1				
6	2	129900-14100	GEAR, CAMSHAFT	1	1	1	1				
7	2	22512-070140	KEY, 7X 14	1	1	1	1				
8	1	26106-080162	BOLT, M8X 16 PLATED	2	2	2	2				
9	1	123900-25060	SHAFT, IDLE GEAR	1	1	1	1				
10	1	129900-25100	GEAR ASSY, IDLE	1	1	1	1				
13	1	129150-25920	BUSH, IDLE GEAR	1	1	1	1				1
14	1	26106-080552	BOLT, M8X 55 PLATED	3	3	3	3				
15	1	129953-25300	BOLT	4	4	4	4				
16	1	129907-25900	GEAR, PUMP	1	1	1	1				
17	1	158563-51150	FLANGE	1	1	1	1				
18	1	22217-180000	WASHER, SPRING 18	1	1	1	1				
19	1	26776-180002	NUT, LOCK M18	1	1	1	1				

Remarks
 (1) REPAIR PART.

N:Old $\frac{100}{100}$ New, Q:Old $\frac{100}{100}$ New, R:Old $\frac{100}{100}$ New, S:Old $\frac{100}{100}$ New, W:Add, Z:Discontinued, F:Interchangeable by set, K:Q'ty Change
 Copyright (C) YANMAR GLOBAL CS CO., LTD. All Rights Reserved.

Fig.8. TURBINE

(A)=4TNV98T-ZGGE
 (B)=4TNV98T-ZGGEH
 (C)=4TNV98T-ZGGET

(D)=4TNV98T-ZGGE
 (E)=
 (F)=

No.	Lev.	Parts No.	Description	Q'ty						I	R
				(A)	(B)	(C)	(D)	(E)	(F)		
1	1	129945-18010	TURBOCHARGER, RHF5	1	1	1	1				
2	1	129472-18090	GASKET	1	1	1	1				
3	1	119131-18320	BOLT, STUD M8X22	4	4	4	4				
4	1	26306-080002	NUT, M8	4	4	4	4				

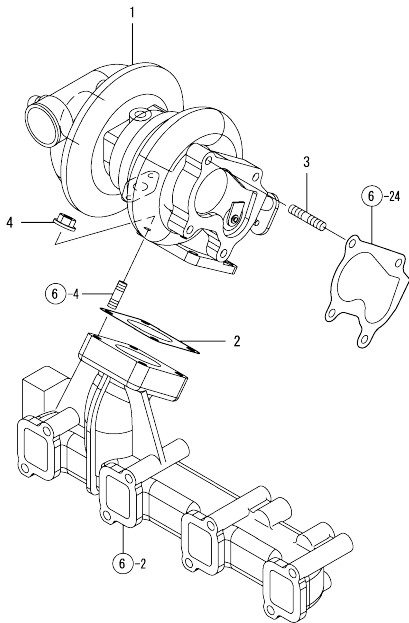
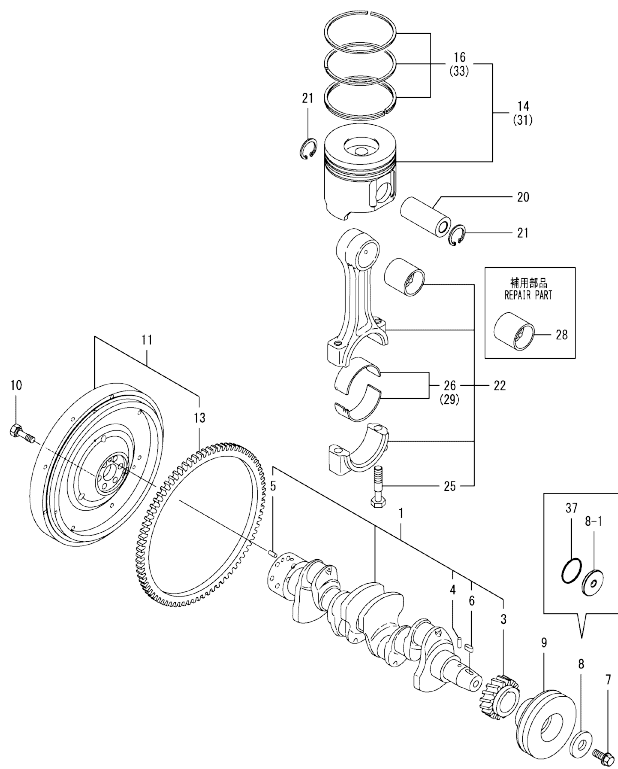


Fig.9. CRANKSHAFT & PISTON



(A)=4TNV98T-ZGGE
(B)=4TNV98T-ZGGEH
(C)=4TNV98T-ZGGET

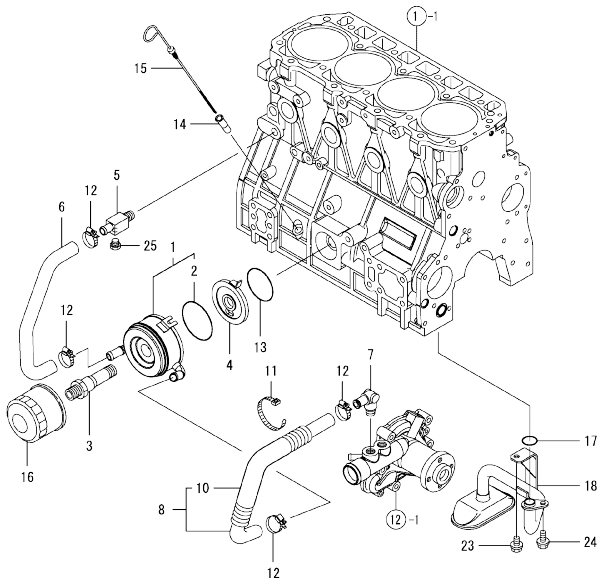
(D)=4TNV98T-ZGGE C
(E)=
(F)=

No.	Lev.	Parts No.	Description	Q'ty						I	R
				(A)	(B)	(C)	(D)	(E)	(F)		
1	1	129908-21000	CRANKSHAFT ASSY	1	1	1	1				
3	2	129900-21200	GEAR, CRANKSHAFT	1	1	1	1				
4	2	121850-21290	PIN	1	1	1	1				
5	2	121850-21920	PIN, PARALLEL 10X22	1	1	1	1				
6	2	22512-070140	KEY, 7X 14	1	1	1	1				
7	1	129916-21610	BOLT	1	1	1	1				
8	1	129900-21640	WASHER	1	1	1	1				
8-1	1	129960-21940 (A=E134917)	WASHER, V-PULLEY (B=E132622) (C=E135400) (D=E135401)	1	1	1	1				N
9	1	129907-21660	V-PULLEY, CRANK 130	1	1	1	1				
10	1	121850-21130	BOLT, FLYWHEEL	6	6	6	6				
11	1	129920-21580	FLYWHEEL ASSY	1	1	1	1				
13	2	127410-21480	GEAR, RING Z=129	1	1	1	1				
14	1	129928-22080	PISTON ASSY	4	4	4	4				
16	2	129927-22050	RING SET, PISTON	4	4	4	4				
20	1	120130-22301	PIN, PISTON	4	4	4	4				
21	1	22252-000300	RING, 30	8	8	8	8				
22	1	129900-23001	ROD ASSY, CONNECTING	4	4	4	4				
25	2	129900-23200	BOLT, CONNECTING ROD	8	8	8	8				
26	2	129900-23601	BEARING, CRANK PIN	4	4	4	4				
28	1	129900-23911	BEARING, PISTON PIN	4	4	4	4				1
29	1	129900-23611	BEARING ASSY, 0.25US	4	4	4	4				2
31	1	729928-22900	PISTON ASSY, 0.25 OS	4	4	4	4				3
33	2	729927-22950	RING SET, 0.25 OS	4	4	4	4				3
37	1	129960-21930 (A=E134917) (B=E132622) (C=E135400) (D=E135401)	GASKET, WASHER	1	1	1	1				W

Remarks
(1) REPAIR PART.
(2) UNDER-SIZED(U.S=0.25)PART.
(3) OVER-SIZED(O.S=0.25)PART.

Fig.10. LUB.OIL SYSTEM

(A)=4TNV98T-ZGGE (D)=4TNV98T-ZGGEH
 (B)=4TNV98T-ZGGEH (E)=
 (C)=4TNV98T-ZGGET (F)=

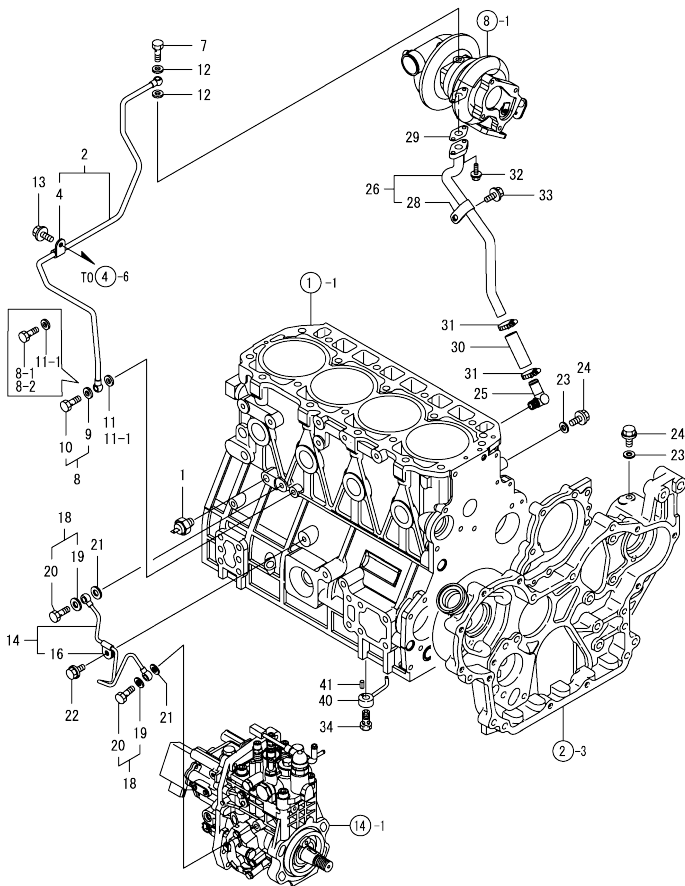


No.	Lev.	Parts No.	Description	Q'ty						I	R
				(A)	(B)	(C)	(D)	(E)	(F)		
1	1	129908-33010	COOLER ASSY, OIL	1	1	1	1				
2	2	123912-33050	O-RING	1	1	1	1				
3	1	123912-33100	BOLT, COOLER	1	1	1	1				
4	1	129908-33101	BRACKET, OIL COOLER	1	1	1	1				
5	1	129006-44480	JOINT	1	1	1	1				
6	1	129908-49060	HOSE, WATER	1	1	1	1				
7	1	129466-49300	ELBOW, PT3/8	1	1	1	1				
8	1	123910-49600	HOSE ASSY WATER	1	1	1	1				
10	2	123910-49610	TUBE, CORRUGATED	1	1	1	1				
11	1	121750-59890	BAND, NYLON	1	1	1	1				
12	1	23000-025000	CLAMP, 25	4	4	4	4				
13	1	24321-000600	O-RING, 1AG60.0	1	1	1	1				
14	1	121520-34810	GUIDE, DIPSTICK	1	1	1	1				
15	1	129953-34830	DIPSTICK	1	1	1	1				
16	1	129150-35170	FILTER,LO	1	1	1	1				
17	1	129900-32030	O-RING, P20	1	1	1	1				
18	1	129953-35000	PIPE ASSY, OIL INLET	1	1	1	1				
23	1	26106-080122	BOLT, M8X 12 PLATED	1	1	1	1				
24	1	26106-080162	BOLT, M8X 16 PLATED	1	1	1	1				
25	1	171056-49120	PLUG, DRAIN R1/4	1	1	1	1				

Remarks
 (1) REPAIR PART.

Fig.11. LUB.OIL LINE

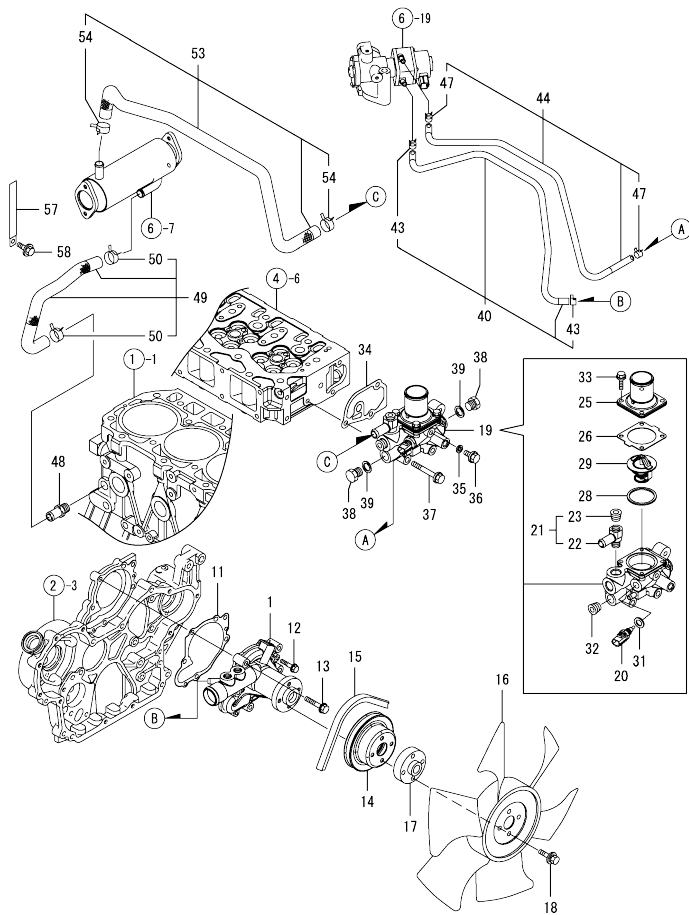
(A)=4TNV98T-ZGGE
(D)=4TNV98T-ZGGE
(B)=4TNV98T-ZGGEH
(E)=
(C)=4TNV98T-ZGGET
(F)=



No.	Lev.	Parts No.	Description	Qty						I	R
				(A)	(B)	(C)	(D)	(E)	(F)		
1	1	119761-39450	SWITCH, HYDRAULIC	1	1	1	1				
2	1	129935-39040	PIPE ASSY, OIL	1	1	1	1				
4	2	124223-39900	RETAINER	1	1	1	1				
7	1	121252-39150	BOLT, JOINT M10X1.5	1	1	1	1				
8	1	129005-59830	BOLT ASSY, JOINT M8	1	1	1	1				
8-1	1	105010-39140	BOLT, PIPE JOINT M8	1	1	1	1				S
8-2	1	129198-59540	BOLT, PIPE JOINT M8	1	1	1	1				S
9	2	22190-080002	WASHER, SEAL 6	1	1	1	1				Z
10	2	23857-030000	BOLT, JOINT 3	1	1	1	1				Z
11	1	22190-080002	WASHER, SEAL 6	1	1	1	1				
11-1	1	22190-080002	WASHER, SEAL 8	2	2	2	2				K
12	1	23414-100000	GASKET, 10X1.0	2	2	2	2				
13	1	26106-080122	BOLT, M8X 12 PLATED	1	1	1	1				
14	1	129927-39060	PIPE ASSY, OIL	1	1	1	1				
16	2	123907-39500	RETAINER, PIPE	1	1	1	1				
18	1	129005-59830	BOLT ASSY, JOINT M8	2	2	2	2				
19	2	22190-080002	WASHER, SEAL 6	2	2	2	2				
20	2	23857-030000	BOLT, JOINT 3	2	2	2	2				
21	1	22190-080002	WASHER, SEAL 6	2	2	2	2				
22	1	26106-080122	BOLT, M8X 12 PLATED	1	1	1	1				
23	1	22190-080002	WASHER, SEAL 6	2	2	2	2				
24	1	26106-080122	BOLT, M8X 12 PLATED	2	2	2	2				
25	1	124070-13300	ELBOW, PT3/8	1	1	1	1				
26	1	129935-39610	PIPE, OIL	1	1	1	1				
28	2	123910-39850	RETAINER	1	1	1	1				
29	1	129908-39690	GASKET	1	1	1	1				
30	1	123901-39820	HOSE, LO RETURN	1	1	1	1				
31	1	23000-025000	CLAMP, 25	2	2	2	2				
32	1	26106-060162	BOLT, M6X 16 PLATED	2	2	2	2				
33	1	26106-080122	BOLT, M8X 12 PLATED	1	1	1	1				
34	1	129908-39410	VALVE ASSY, CHECK	4	4	4	4				
40	1	119000-39650	NOZZLE, COOLING	4	4	4	4				
41	1	22351-030010	PIN, SPRING 3.0X10	4	4	4	4				

0CW10-M44500 4TNV98T-ZGGE,4TNV98T-ZGGEH
 Fig.12. COOLING WATER SYSTEM

0CW10-M44500 Fig.12



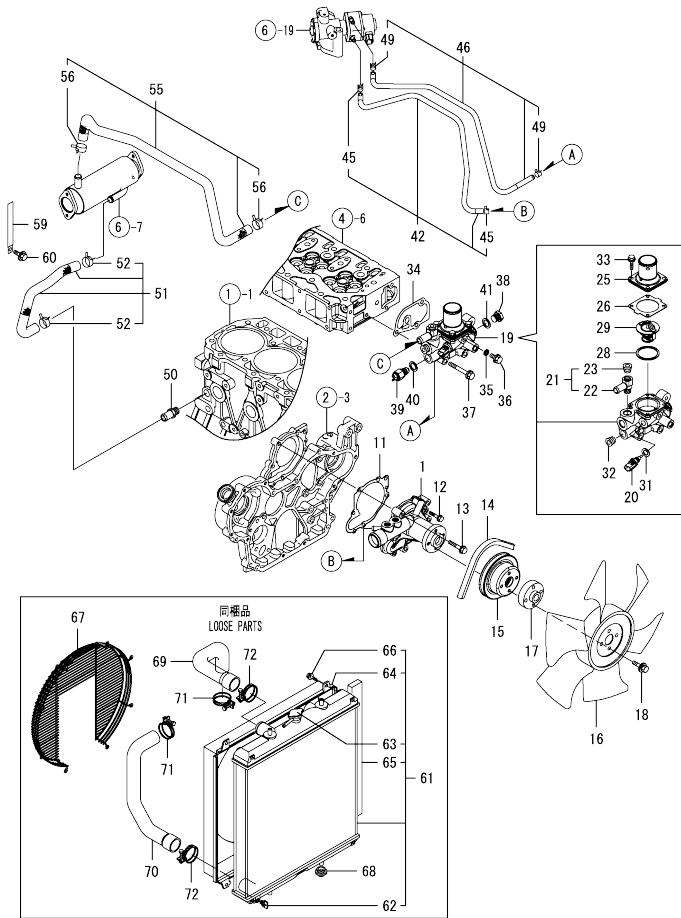
(A)=4TNV98T-ZGGE
 (B)=4TNV98T-ZGGEH
 (C)=4TNV98T-ZGGET
 (D)=4TNV98T-ZGGE
 (E)=
 (F)=

No.	Lev.	Parts No.	Description	Q'ty						I	R
				(A)	(B)	(C)	(D)	(E)	(F)		
1	1	129927-42000	PUMP ASSY, WATER	1	1	1					
11	1	129900-42020	GASKET, WATER PUMP	1	1	1					
12	1	26106-060302	BOLT, M6X 30 PLATED	2	2	2					
13	1	26106-080552	BOLT, M8X 55 PLATED	5	5	5					
14	1	129900-42461	V-PULLEY, C.W.PUMP	1	1	1					
15	1	25132-004100	V-BELT, A41	1	1	1					
16	1	129916-44740	FAN, COOLING D=430	1	1	1					
17	1	119130-44760	SPACER, FAN	1	1	1					
18	1	26106-080302	BOLT, M8X 30 PLATED	4	4	4					
19	1	129928-49800	CASE ASSY,THERMOSTAT	1	1	1					
20	2	129927-44900	SENSOR, WATER TEMP.	1	1	1					
21	2	129928-49400	JOINT ASSY	1	1	1					
22	3	129928-49410	JOINT	1	1	1					
23	3	23875-030000	PLUG, R03	1	1	1					
25	2	129916-49530	COVER, THERMOSTAT	1	1	1					
26	2	121850-49540	GASKET, THERMOSTAT	1	1	1					
28	2	121850-49550	GASKET, THERMOSTAT	1	1	1					
29	2	121850-49810	THERMOSTAT, 71C	1	1	1					
31	2	22190-120002	WASHER, SEAL 12	1	1	1					
32	2	23875-030000	PLUG, R03	1	1	1					
33	2	26106-060202	BOLT, M6X 20 PLATED	4	4	4					
34	1	129900-49870	GASKET, THERMOSTAT	1	1	1					
35	1	23414-080000	GASKET, 8X1.0	1	1	1					
36	1	26106-080122	BOLT, M8X 12 PLATED	1	1	1					
37	1	26106-080602	BOLT, M8X 60 PLATED	3	3	3					
38	1	121450-42450	PLUG, M16	2	2	2					
39	1	124465-44950	GASKET, 16	2	2	2					
40	1	129927-49610	HOSE ASSY, WATER	1	1	1					
43	2	23080-012000	CLAMP, 12	2	2	2					
44	1	129927-49620	HOSE ASSY, WATER	1	1	1					
47	2	23080-012000	CLAMP, 12	2	2	2					
48	1	129928-49420	JOINT	1	1	1					
49	1	129948-49610	HOSE ASSY, WATER	1	1	1					
50	2	129960-03990	CLAMP, HOSE 19.8	2	2	2					
53	1	129948-49620	HOSE ASSY, WATER	1	1	1					
54	2	129960-03990	CLAMP, HOSE 19.8	2	2	2					
57	1	129928-79700	CLAMP, 150-M8	1	1	1					
58	1	26106-080122	BOLT, M8X 12 PLATED	1	1	1					

N:Old $\frac{100}{100}$ New, C:Old $\frac{100}{100}$ New, R:Old $\frac{100}{100}$ New, S:Old $\frac{100}{100}$ New, W:Add, Z:Discontinued, F:Interchangeable by set, K:Q'ty Change
 Copyright (C) YANMAR GLOBAL CS CO., LTD. All Rights Reserved.

OCW10-M44500 4TNV98T-ZGGE,4TNV98T-ZGGEH
 Fig.13. COOLING WATER SYSTEM

OCW10-M44500 Fig.13



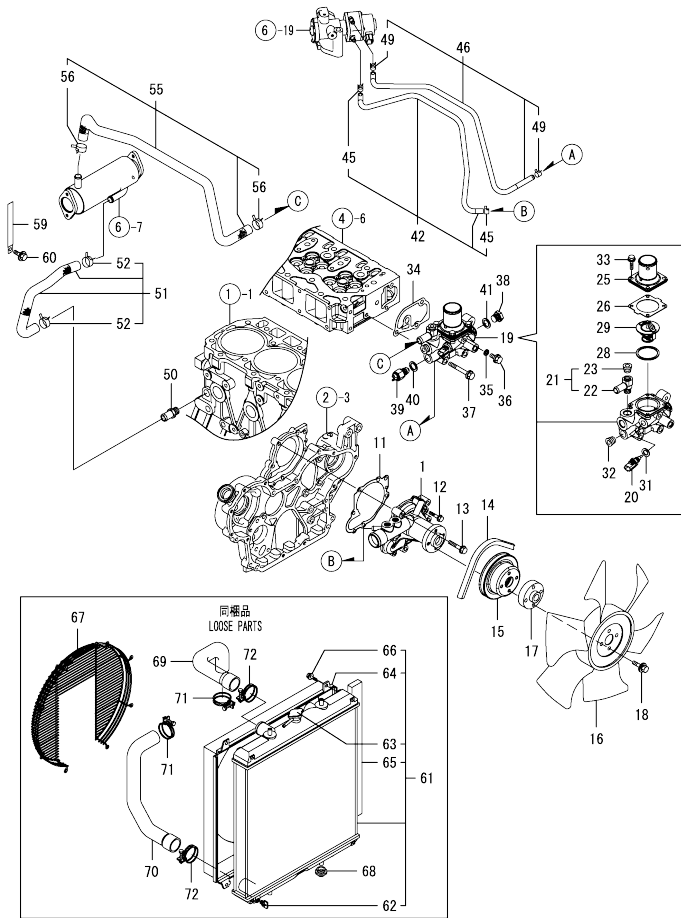
(A)=4TNV98T-ZGGE
 (B)=4TNV98T-ZGGEH
 (C)=4TNV98T-ZGGET
 (D)=4TNV98T-ZGGE
 (E)=
 (F)=

No.	Lev.	Parts No.	Description	Q'ty						I	R
				(A)	(B)	(C)	(D)	(E)	(F)		
1	1	129927-42000	PUMP ASSY, WATER								
11	1	129900-42020	GASKET, WATER PUMP								
12	1	26106-060302	BOLT, M6X 30 PLATED								
13	1	26106-080552	BOLT, M8X 55 PLATED								
14	1	129052-42290	V-BELT, A40.5								
14-1	1	25132-004100	V-BELT, A41								N
(B=2008.08.)											
15	1	129900-42461	V-PULLEY, C.W.PUMP								
16	1	129916-44740	FAN, COOLING D=430								
17	1	119130-44760	SPACER, FAN								
18	1	26106-080302	BOLT, M8X 30 PLATED								
19	1	129928-49800	CASE ASSY, THERMOSTAT								
20	2	129927-44900	SENSOR, WATER TEMP.								
21	2	129928-49400	JOINT ASSY								
22	3	129928-49410	JOINT								
23	3	23875-030000	PLUG, R03								
25	2	129916-49530	COVER, THERMOSTAT								
26	2	121850-49540	GASKET, THERMOSTAT								
28	2	121850-49550	GASKET, THERMOSTAT								
29	2	121850-49810	THERMOSTAT, 71C								
31	2	22190-120002	WASHER, SEAL 12								
32	2	23875-030000	PLUG, R03								
33	2	26106-060202	BOLT, M6X 20 PLATED								
34	1	129900-49870	GASKET, THERMOSTAT								
35	1	23414-080000	GASKET, 8X1.0								
36	1	26106-080122	BOLT, M8X 12 PLATED								
37	1	26106-080602	BOLT, M8X 60 PLATED								
38	1	121450-42450	PLUG, M16								
39	1	121250-44901	SWITCH, THERMO 110								
40	1	124465-44950	GASKET, 16								
41	1	124465-44950	GASKET, 16								
42	1	129927-49610	HOSE ASSY, WATER								
45	2	23080-012000	CLAMP, 12								
46	1	129927-49620	HOSE ASSY, WATER								
49	2	23080-012000	CLAMP, 12								
50	1	129928-49420	JOINT								
51	1	129948-49610	HOSE ASSY, WATER								
52	2	129960-03990	CLAMP, HOSE 19.8								
55	1	129948-49620	HOSE ASSY, WATER								
56	2	129960-03990	CLAMP, HOSE 19.8								
59	1	129928-79700	CLAMP, 150-M8								
60	1	26106-080122	BOLT, M8X 12 PLATED								
61	1	129940-44500	RADIATOR ASSY								
62	2	129508-44550	COCK ASSY								
63	2	129107-44590	CAP, RADIATOR								
64	2	129907-44600	SHROUD								
65	2	129907-44610	GASKET								
66	2	26014-060122	BOLT, M6X 12								
67	1	129907-44560	GUARD, FAN								
68	1	119255-44660	ABSORBER								
69	1	129981-49050	HOSE, WATER								

N:Old $\frac{New}{Old}$ New, Q:Old $\frac{New}{Old}$ New, R:Old $\frac{New}{Old}$ New, S:Old $\frac{New}{Old}$ New, W:Add, Z:Discontinued, F:Interchangeable by set, K:Q'ty Change
 ++ CONTINUE ++
 Copyright (C) YANMAR GLOBAL CS CO., LTD. All Rights Reserved.

0CW10-M44500 4TNV98T-ZGGE,4TNV98T-ZGGEH
 Fig.13. COOLING WATER SYSTEM

0CW10-M44500 Fig.13

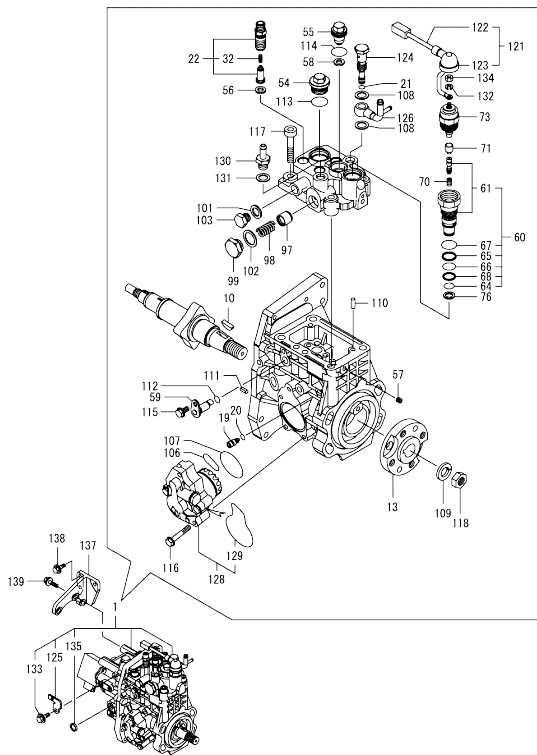


(A)=4TNV98T-ZGGE (D)=4TNV98T-ZGGEH
 (B)=4TNV98T-ZGGEH (E)=
 (C)=4TNV98T-ZGGET (F)=

No.	Lev.	Parts No.	Description	Q'ty						
				(A)	(B)	(C)	(D)	(E)	(F)	
70	1	129981-49062	HOSE, WATER		1					
71	1	23010-050000	CLAMP, 50			2				
72	1	23010-060000	CLAMP, 60			2				

Fig.14. FUEL INJECTION PUMP

(A)=4TNV98T-ZGGE (D)=4TNV98T-ZGGE
 (B)=4TNV98T-ZGGEH (E)=
 (C)=4TNV98T-ZGGET (F)=

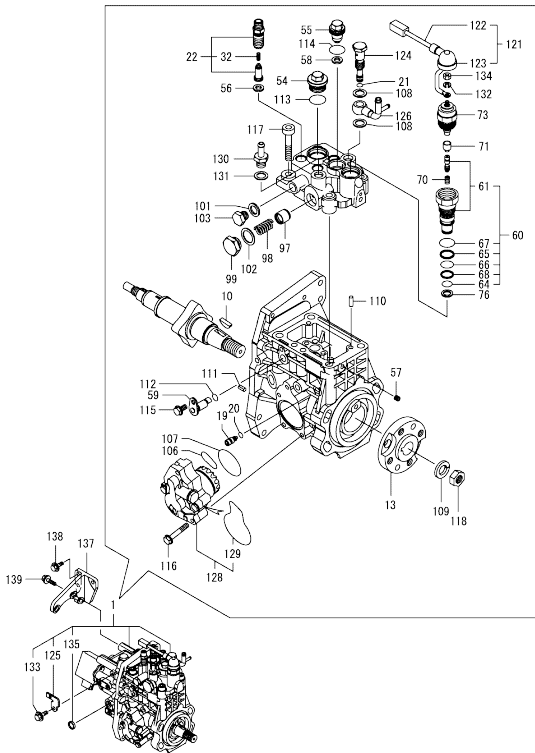


No.	Lev.	Parts No.	Description	Q'ty						I	R
				(A)	(B)	(C)	(D)	(E)	(F)		
1	1	729945-51390	FIE ASSY	1	1	1	1				1
10	2	144626-51090	FEATHER KEY, 5X19	1	1	1	1				
13	2	158563-51150	FLANGE	1	1	1	1				
19	2	158600-51270	STOPPER, TAPPET	1	1	1	1				
20	2	158563-51281	O-RING, 4D S6	1	1	1	1				
21	2	158563-51281	O-RING, 4D S6	1	1	1	1				
22	2	129928-51390	VALVE ASSY, DELIVERY	4	4	4	4				
32	3	158563-51330	SPRING, DELIVERY	4	4	4	4				
54	2	158601-51550	PLUG, M22	1	1	1	1				
55	2	129907-51560	PLUG, M16	1	1	1	1				
56	2	158552-51571	GASKET, PLUG	4	4	4	4				
57	2	158557-51570	PLUG, RACK	1	1	1	1				
58	2	129906-51580	GASKET, PLUG	1	1	1	1				
59	2	158552-51580	LIFTER, LINK	1	1	1	1				
60	2	129657-51590	TIMER ASSY	1	1	1	1				
61	3	129657-51600	TIMER ASSY	1	1	1	1				
64	3	158553-51670	O-RING	1	1	1	1				
65	3	119802-51680	RING, BACKUP	1	1	1	1				
66	3	119802-51690	O-RING	1	1	1	1				
67	3	24356-010200	O-RING, 4D1020	1	1	1	1				
68	3	24372-000150	RING, BACK UP T2P15	1	1	1	1				
70	2	119852-51630	SPRING, TIMER	1	1	1	1				
71	2	119852-51640	CAP, TIMER	1	1	1	1				
73	2	119852-51650	VALVE ASSY, SOLENOID	1	1	1	1				
76	2	158553-51680	GASKET, TIMER	1	1	1	1				
97	2	158601-51770	PISTON, ACCUMULATOR	1	1	1	1				
98	2	158552-51781	SPRING, ACCUMULATOR	1	1	1	1				
99	2	158601-51790	PLUG	1	1	1	1				
101	2	22190-120002	WASHER, SEAL 12	1	1	1	1				
102	2	22190-180002	WASHER, SEAL 18	1	1	1	1				
103	2	23887-120002	PLUG, 12	1	1	1	1				
106	2	158552-52310	O-RING	1	1	1	1				
107	2	158552-52400	O-RING, 4E S42	1	1	1	1				
108	2	22190-120002	WASHER, SEAL 12	2	2	2	2				
109	2	22217-180000	WASHER, SPRING 18	1	1	1	1				
110	2	22312-050140	PIN, PARALLEL M5X14	2	2	2	2				
111	2	22351-050010	PIN, SPRING 5.0X10	2	2	2	2				
112	2	24311-000070	O-RING, 1AP7.0	1	1	1	1				
113	2	24356-010200	O-RING, 4D1020	1	1	1	1				
114	2	24356-020210	O-RING, 4D2021	1	1	1	1				
115	2	26106-060102	BOLT, M6X 10 PLATED	1	1	1	1				
116	2	26106-060352	BOLT, M6X 35 PLATED	4	4	4	4				
117	2	26450-100452	BOLT, M10X 45	4	4	4	4				
118	2	26776-180002	NUT, LOCK M18	1	1	1	1				
121	2	129927-51650	HARNES ASSY, WIRE	1	1	1	1				
122	3	129927-51660	HARNES	1	1	1	1				
123	3	129263-77941	CAP, RUBBER	1	1	1	1				
124	2	158601-51650	JOINT, OVER FLOW	1	1	1	1				
125	2	129927-51670	BRACKET	1	1	1	1				
126	2	158552-51670	JOINT, OVER FLOW	1	1	1	1				
128	2	158552-52100	PUMP ASSY, FUEL FEED	1	1	1	1				

Remarks
 (1) GOVERNOR ASSY (FIG.15) IS INCORPORATED IN THIS FUEL INJECTION PUMP (REF.NO.1).
 * ECO PUMP
 MAKE SURE TO UPDATE THE ENGINES ECU INFORMATION WHEN REPLACING THE ECO PUMP.
 FAILING TO DO SO WILL RESULT IN ENGINE MALFUNCTION.

Fig.14. FUEL INJECTION PUMP

(A)=4TNV98T-ZGGE (D)=4TNV98T-ZGGE
 (B)=4TNV98T-ZGGEH (E)=
 (C)=4TNV98T-ZGGET (F)=



No.	Lev.	Parts No.	Description	Q'ty						I	R
				(A)	(B)	(C)	(D)	(E)	(F)		
129	3	158552-52500	O-RING	1	1	1	1				
130	2	119934-59910	JOINT, PIPE	1	1	1	1				
131	2	22190-120002	WASHER, SEAL 12	1	1	1	1				
132	2	22217-050000	WASHER, SPRING 5	1	1	1	1				
133	2	26106-060122	BOLT, M6X 12 PLATED	1	1	1	1				
134	2	26716-050002	NUT, M5	1	1	1	1				
135	2	27241-160000	PLUG, 16	1	1	1	1				
137	1	129927-51250	RETAINER, PUMP	1	1	1	1				
138	1	26106-080202	BOLT, M8X 20 PLATED	3	3	3	3				
139	1	26106-080302	BOLT, M8X 30 PLATED	3	3	3	3				

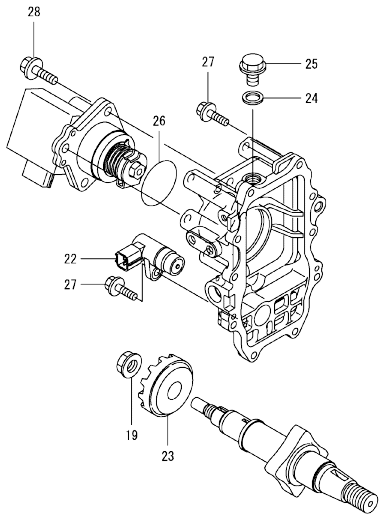
Remarks

(1) GOVERNOR ASSY (FIG.15) IS INCORPORATED IN THIS FUEL INJECTION PUMP. (REF.NO.1).
 * ECO PUMP
 MAKE SURE TO UPDATE THE ENGINES ECU INFORMATION WHEN REPLACING THE ECO PUMP.
 FAILING TO DO SO WILL RESULT IN ENGINE MALFUNCTION.

Fig.15. GOVERNOR

(A)=4TNV98T-ZGGE
(B)=4TNV98T-ZGGEH
(C)=4TNV98T-ZGGET

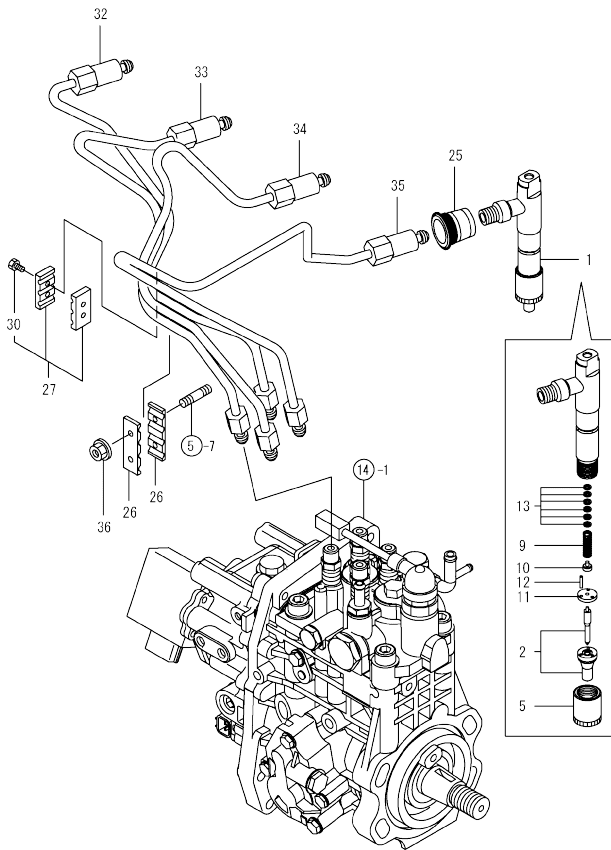
(D)=4TNV98T-ZGGEC
(E)=
(F)=



No.	Lev.	Parts No.	Description	Q'ty					
				(A)	(B)	(C)	(D)	(E)	(F)
19	2	129008-61301	NUT	1	1	1	1		
22	2	158557-61720	SENSOR	1	1	1	1		
23	2	158553-61780	GEAR, SENSOR	1	1	1	1		
24	2	23414-120000	GASKET, 12X1.0	1	1	1	1		
25	2	23887-120002	PLUG, 12	1	1	1	1		
26	2	24341-000480	O-RING, 1AS48.0	1	1	1	1		
27	2	26106-060252	BOLT, M6X 25 PLATED	10	10	10	10		
28	2	26106-080252	BOLT, M8X 25 PLATED	3	3	3	3		

Remarks
* THIS FIGURE(GOVERNOR ASSY)IS
INCORPORATED IN THE FUEL INJECTION
PUMP ASSY(FIG.14).

Fig.16. FUEL INJECTION VALVE



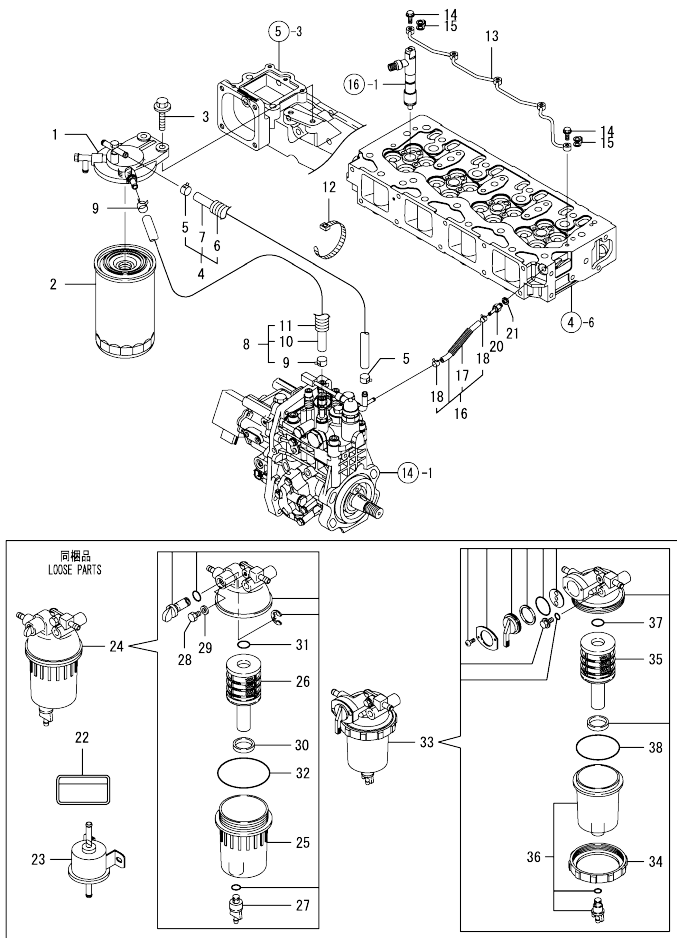
(A)=4TNV98T-ZGGE
(B)=4TNV98T-ZGGEH
(C)=4TNV98T-ZGGET

(D)=4TNV98T-ZGGE
(E)=
(F)=

No.	Lev.	Parts No.	Description	Q'ty						I	R
				(A)	(B)	(C)	(D)	(E)	(F)		
1	1	729928-53200	FUEL INJECTOR ASSY	4	4	4	4				
2	2	129509-53000	NOZZLE ASSY, F.I.	4	4	4	4				
5	2	114250-53080	NUT, NOZZLE	4	4	4	4				
9	2	114250-53120	SPRING, NOZZLE	4	4	4	4				
10	2	114250-53130	SEAT, SPRING	4	4	4	4				
11	2	114250-53140	SPACER	4	4	4	4				
12	2	114250-53210	PIN	8	8	8	8				
13	2	114250-53400	SHIM SET	4	4	4	4				
25	1	123907-11601	SEAL, PIPE	4	4	4	4				
26	1	123472-59120	RETAINER, PIPE	2	2	2	2				
27	1	129150-59120	RETAINER, PIPE	1	1	1	1				
30	2	129150-59131	BOLT, M4X14	2	2	2	2				
32	1	129927-59810	PIPE ASSY, INJECTION	1	1	1	1				
33	1	129927-59820	PIPE ASSY, INJECTION	1	1	1	1				
34	1	129927-59830	PIPE ASSY, INJECTION	1	1	1	1				
35	1	129927-59840	PIPE ASSY, INJECTION	1	1	1	1				
36	1	26366-060002	NUT, M6	2	2	2	2				

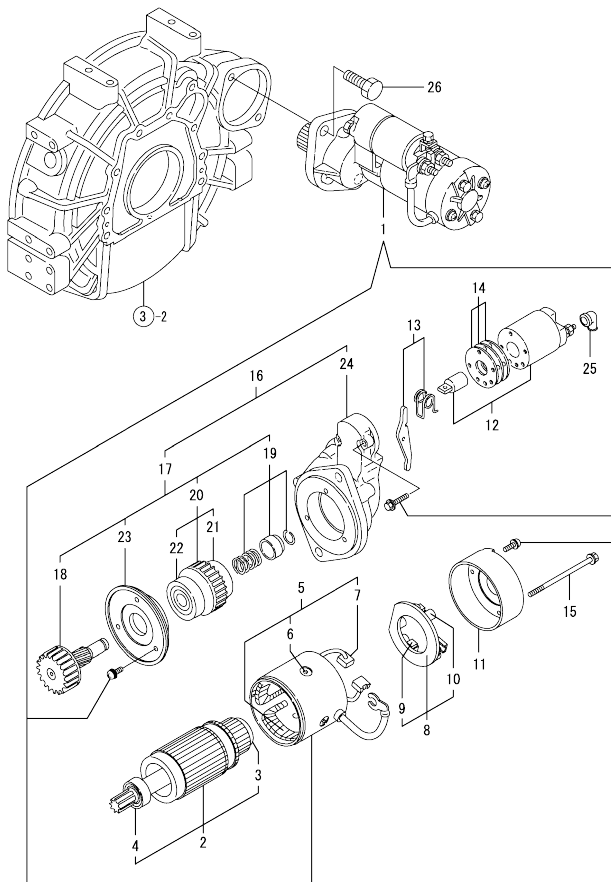
Fig.17. FUEL LINE

(A)=4TNV98T-ZGGE (D)=4TNV98T-ZGGE
(B)=4TNV98T-ZGGEH (E)=
(C)=4TNV98T-ZGGET (F)=



No.	Lev.	Parts No.	Description	Q'ty						I	R
				(A)	(B)	(C)	(D)	(E)	(F)		
1	1	129004-55612	BRACKET, FILTER	1	1	1	1				
2	1	123907-55810	FILTER, FUEL	1	1	1	1				
3	1	26106-080302	BOLT, M8X 30 PLATED	2	2	2	2				
4	1	129457-59010	HOSE ASSY, FUEL	1	1	1	1				
5	2	124766-59050	CLAMP, HOSE 11.5	2	2	2	2				
6	2	129957-59120	TUBE, CORRUGATED 15	1	1	1	1				
7	2	105025-59750	HOSE, FUEL	1	1	1	1				
8	1	129961-59310	HOSE ASSY, FUEL	1	1	1	1				
9	2	124766-59050	CLAMP, HOSE 11.5	2	2	2	2				
10	2	129136-59110	HOSE, D13/7.5X270	1	1	1	1				
11	2	129961-59110	TUBE, CORRUGATED 15	1	1	1	1				
12	1	121750-59890	BAND, NYLON	1	1	1	1				
13	1	129907-59140	PIPE ASSY, RETURN	1	1	1	1				
14	1	123907-59540	BOLT, PIPE JOINT M6	5	5	5	5				
15	1	123907-59550	GASKET	5	5	5	5				
16	1	129927-59550	HOSE ASSY RETURN	1	1	1	1				
17	2	129263-49750	TUBE, CORRUGATED	1	1	1	1				
18	2	124722-59050	CLAMP, HOSE 9	2	2	2	2				
20	1	123907-59560	JOINT, HOSE	1	1	1	1				
21	1	22190-080002	WASHER, SEAL 6	1	1	1	1				
22	1	114110-07760	LABEL, FUEL CAUTION	1	1	1	1				
23	1	119225-52102	PUMP, FUEL FEED	1	1	1	1				
24	1	129242-55700	SEPARATOR ASSY,WATER	1	1	1	1				
25	2	129242-55720	CUP, SEPARATOR	1	1	1	1				
26	2	129242-55730	ELEMENT, FUEL	1	1	1	1				
27	2	129242-55740	PLUG, DRAIN	1	1	1	1				
28	2	129242-55750	VALVE, AIR VENT	1	1	1	1				
29	2	129242-55760	GASKET, PLUG	1	1	1	1				
30	2	129242-55770	FLOAT	1	1	1	1				
31	2	24311-000160	O-RING, 1AP16.0	1	1	1	1				
32	2	24321-000750	O-RING, 1AG75.0	1	1	1	1				
33	1	119802-55700	SEPARATOR ASSY,WATER								1
34	2	129100-55690	RING, CUP RETAINING								1
35	2	119802-55710	ELEMENT								1
36	2	119802-55730	CUP ASSY, SEPARATOR								1
37	2	24311-000160	O-RING, 1AP16.0								1
38	2	24321-000650	O-RING, 1AG65.0								1

Fig.18. STARTING MOTOR

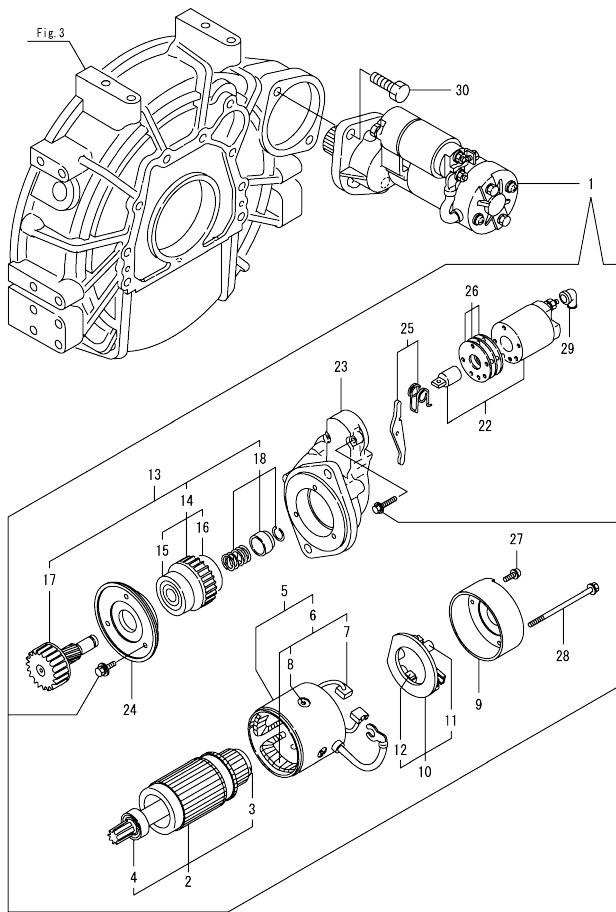


(A)=4TNV98T-ZGGE
(B)=4TNV98T-ZGGEH
(C)=4TNV98T-ZGGET

(D)=4TNV98T-ZGGE
(E)=
(F)=

No.	Lev.	Parts No.	Description	Q'ty						I	R
				(A)	(B)	(C)	(D)	(E)	(F)		
1	1	129900-77010	STARTER ASSY	1	1	1	1				
2	2	129900-77400	ARMATURE ASSY	1	1	1	1				
3	3	X2114155110	BEARING, BALL	1	1	1	1				
4	3	X2114255110	BEARING, BALL	1	1	1	1				
5	2	129900-77440	COIL ASSY, FIELD	1	1	1	1				
6	3	171008-77450	SCREW, CORE SET	4	4	4	4				
7	3	129900-77450	BRUSH	2	2	2	2				
8	2	129900-77480	HOLDER ASSY, BRUSH	1	1	1	1				
9	3	129900-77450	BRUSH	2	2	2	2				
10	3	X2130631300	SPRING, BRUSH	4	4	4	4				
11	2	129900-77460	COVER	1	1	1	1				
12	2	129900-77591	SWITCH ASSY, MAGNET	1	1	1	1				
13	2	129900-77620	LEVER SET	1	1	1	1				
14	2	129900-77650	COVER KIT, DUST	1	1	1	1				
15	2	129900-77640	BOLT, THROUGH	2	2	2	2				
16	2	129900-77700	CASE ASSY, GEAR	1	1	1	1				
17	3	129900-77510	PINION ASSY,W/CLUTCH	1	1	1	1				
18	4	129900-77540	SHAFT, PINION	1	1	1	1				
19	4	129900-77550	STOPPER SET, PINION	1	1	1	1				
20	4	129900-77520	CLUTCH ASSY	1	1	1	1				
21	5	171008-77730	BEARING, BALL	1	1	1	1				
22	5	171008-77740	BEARING, BALL	1	1	1	1				
23	4	129900-77610	RETAINER, BEARING	1	1	1	1				
24	3	129900-77710	CASE, GEAR	1	1	1	1				
25	2	171008-77750	COVER, TERMINAL	1	1	1	1				
26	1	26116-120302	BOLT, M12X 30 PLATED	2	2	2	2				

Fig.22. (18A)STARTING MOTOR



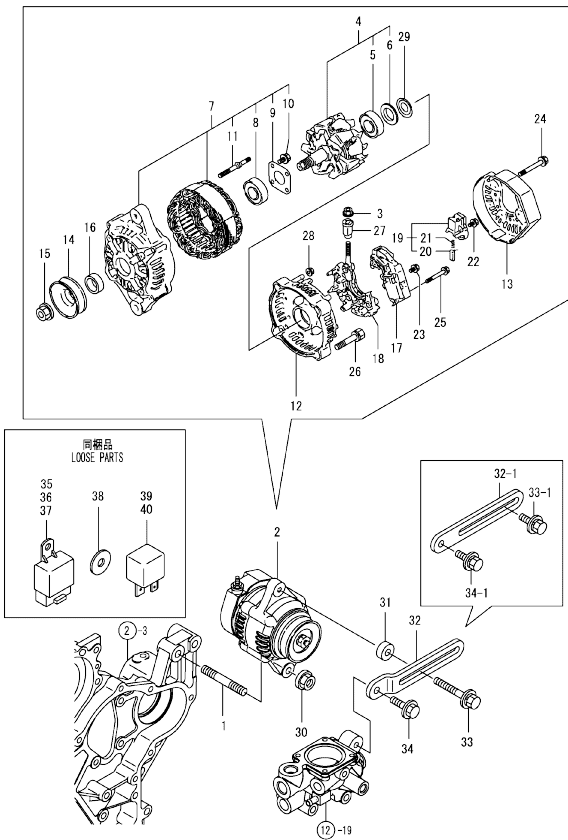
(A)=4TNV98T-ZGGE
(B)=4TNV98T-ZGGEH
(C)=4TNV98T-ZGGET

(D)=4TNV98T-ZGGE
(E)=
(F)=

No.	Lev.	Parts No.	Description	Q'ty						I	R
				(A)	(B)	(C)	(D)	(E)	(F)		
1	1	129900-77040	STARTER ASSY		1						
2	2	129900-77120	ARMATURE ASSY		1						
3	3	171008-77410	BEARING, BALL		1						
4	3	171008-77420	BEARING, BALL		1						
5	2	129900-77130	YOKE ASSY		1						
6	3	129900-77140	COIL ASSY, FIELD		1						
7	4	129900-77450	BRUSH		2						
8	4	171008-77450	SCREW, CORE SET		4						
9	2	129900-77150	COVER		1						
10	2	129900-77160	HOLDER ASSY, BRUSH		1						
11	3	X2130631300	SPRING, BRUSH		4						
12	3	129900-77450	BRUSH		2						
13	2	129900-77170	CLUTCH ASSY		1						
14	3	129900-77180	CLUTCH ASSY		1						
15	4	129900-77190	BEARING, BALL		1						
16	4	X2114955020	BEARING, BALL		1						
17	3	129900-77270	SHAFT, PINION		1						
18	3	171008-77670	STOPPER SET, PINION		1						
22	2	129900-77280	SWITCH ASSY, MAGNET		1						
23	2	129900-77290	CASE, GEAR		1						
24	2	129900-77380	RETAINER, BEARING		1						
25	2	129900-77390	LEVER ASSY, SHIFT		1						
26	2	129900-77420	COVER KIT, DUST		1						
27	2	129900-77430	SCREW, M4X10		2						
28	2	129685-77640	BOLT, THROUGH		2						
29	2	171008-77750	COVER, TERMINAL		1						
30	1	26116-120302	BOLT, M12X 30 PLATED		2						

Fig.19. GENERATOR

(A)=4TNV98T-ZGGE (D)=4TNV98T-ZGGE
(B)=4TNV98T-ZGGEH (E)=
(C)=4TNV98T-ZGGET (F)=

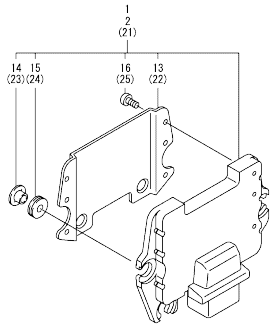


No.	Lev.	Parts No.	Description	Q'ty						I	R
				(A)	(B)	(C)	(D)	(E)	(F)		
1	1	129795-01900	BOLT, STUD M10X33	1	1	1	1				
2	1	129423-77200	GENERATOR ASSY, 40A	1	1	1	1				
3	2	X9490561001	NUT	1	1	1	1				
4	2	119620-77380	ROTOR ASSY	1	1	1	1				
5	3	123501-79240	BEARING, BALL	1	1	1	1				
6	3	119620-79250	COVER, BEARING	1	1	1	1				
7	2	119620-77421	FRAME ASSY,GENERATOR	1	1	1	1				
8	3	119620-79200	BEARING, BALL	1	1	1	1				
9	3	119620-79210	RETAINER	1	1	1	1				
10	3	119620-79220	SCREW	4	4	4	4				
11	3	119620-79230	BOLT, STUD	2	2	2	2				
12	2	119620-77440	FRAME ASSY	1	1	1	1				
13	2	129240-79300	COVER	1	1	1	1				
14	2	119620-77461	PULLEY, GENERATOR	1	1	1	1				
15	2	119620-77471	NUT	1	1	1	1				
16	2	119620-77490	COLLAR	1	1	1	1				
17	2	129423-77710	REGULATOR ASSY	1	1	1	1				
18	2	119620-79260	HOLDER	1	1	1	1				
19	2	129052-79270	HOLDER, BRUSH	1	1	1	1				
20	3	119620-77480	BRUSH	2	2	2	2				
21	3	119620-79280	SPRING	2	2	2	2				
22	2	119620-79290	SCREW	6	6	6	6				
23	2	119620-79300	SCREW	1	1	1	1				
24	2	119620-79310	BOLT	3	3	3	3				
25	2	119620-79320	SCREW	2	2	2	2				
26	2	119620-79330	BOLT	2	2	2	2				
27	2	119620-79340	BUSH, INSULATION	1	1	1	1				
28	2	119620-79350	NUT	2	2	2	2				
29	2	119620-79360	WASHER, THRUST	1	1	1	1				
30	1	26306-100002	NUT, M10	1	1	1	1				
31	1	119940-77270	SPACER	1	1	1	1				Z
		(A=EXXXXX) (B=EXXXXX) (C=EXXXXX) (D=EXXXXX)		1	1	1	1				
32	1	129972-77330	ADJUSTER, BELT	1	1	1	1				
32-1	1	129988-77330	ADJUSTER, BELT	1	1	1	1				S 1
		(A=EXXXXX) (B=EXXXXX) (C=EXXXXX) (D=EXXXXX)		1	1	1	1				
33	1	129972-77341	BOLT, ADJUST L=50	1	1	1	1				
33-1	1	119810-77340	BOLT, ADJUST L=30	1	1	1	1				S 1
		(A=EXXXXX) (B=EXXXXX) (C=EXXXXX) (D=EXXXXX)		1	1	1	1				
34	1	26106-080222	BOLT, M8X 22 PLATED	1	1	1	1				
34-1	1	26014-080252	BOLT, M8X 25	1	1	1	1				S 1
		(A=EXXXXX) (B=EXXXXX) (C=EXXXXX) (D=EXXXXX)		1	1	1	1				
35	1	198461-52950	RELAY, CA TYPE C	1			1				
36	1	198461-52950	RELAY, CA TYPE C	1			1				
37	1	198461-52950	RELAY, CA TYPE C		2						
38	1	129927-77690	WASHER, ECU	3			3				
39	1	129927-77920	RELAY, ISO 70A	1			1				
40	1	129927-77920	RELAY, ISO 70A	1			1				

Remarks
(1) Interchangeable by simultaneous replacement with Ref.32-1, 33-1 and 34-1.

Fig.20. ELECTRONIC CONTROL UNIT (ECU)

(A)=4TNV98T-ZGGE (D)=4TNV98T-ZGGE
 (B)=4TNV98T-ZGGEH (E)=
 (C)=4TNV98T-ZGGET (F)=

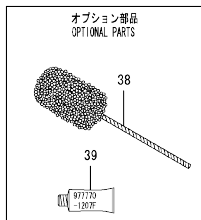
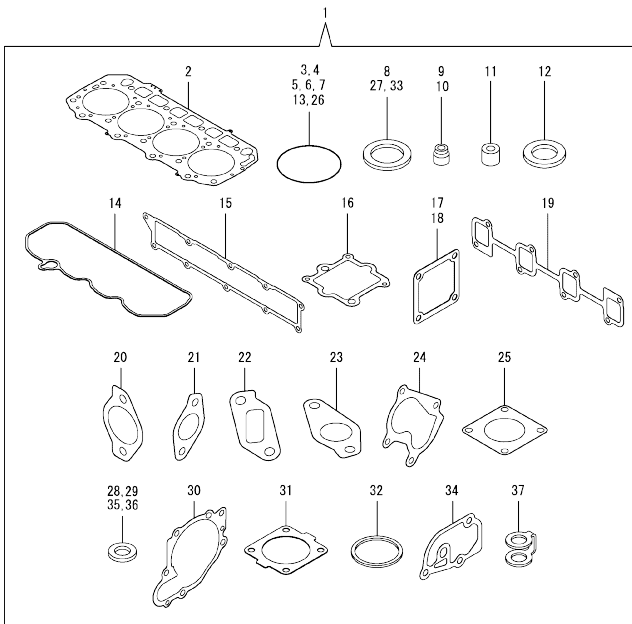


No.	Lev.	Parts No.	Description	Q'ty						I	R
				(A)	(B)	(C)	(D)	(E)	(F)		
1	1	129945-75020	ECU ASSY	1		1	1				1
2	1	129945-75050	ECU ASSY		1						1
13	2	129927-77600	SHIELD, ECU	1	1	1	1				
14	2	129927-77680	COLLAR, CONTROL	3	3	3	3				
15	2	119578-91351	ABSORBER	3	3	3	3				
16	2	22877-500080	SCREW, 5X 8	6	6	6	6				
21	1	129927-75900	ECU ASSY, SERVICE	1	1	1	1				2
22	2	129927-77600	SHIELD, ECU	1	1	1	1				
23	2	129927-77680	COLLAR, CONTROL	3	3	3	3				
24	2	119578-91351	ABSORBER	3	3	3	3				
25	2	22877-500080	SCREW, 5X 8	6	6	6	6				

Remarks

(1)ECO ECU
 THIS PART CANNOT BE ORDERED.
 REPLACE THE PART USING A SERVICE
 ECU WITH THE PROPER ENGINE
 INFORMATION INSTALLED.
 (2)SERVICE ECU
 IF THE PROPER INFORMATION IS NOT
 INSTALLED, THE ENGINE WILL NOT
 OPERATE.
 TO INSTALL PROPER INFORMATION,
 GO TO AN AUTHORIZED DISTRIBUTOR.

Fig.21. GASKET SET



(A)=4TNV98T-ZGGE
(B)=4TNV98T-ZGGEH
(C)=4TNV98T-ZGGET
(D)=4TNV98T-ZGGE C
(E)=
(F)=

No.	Lev.	Parts No.	Description	Q'ty						I	R
				(A)	(B)	(C)	(D)	(E)	(F)		
1	1	729928-92690	GASKET SET	1	1	1	1				1
2	2	129907-01331	GASKET, HEAD	1	1	1	1				
3	2	129900-32030	O-RING, P20	2	2	2	2				
4	2	129900-32040	O-RING, P14	1	1	1	1				
5	2	24311-000070	O-RING, 1AP7.0	1	1	1	1				
6	2	24351-030750	O-RING, 1A3075	1	1	1	1				
7	2	24311-000320	O-RING, 1AP32.0	2	2	2	2				
8	2	22190-220002	WASHER, SEAL 22	1	1	1	1				
9	2	119803-11340	SEAL, VALVE STEM	8	8	8	8				
10	2	124160-11340	SEAL, VALVE STEM	8	8	8	8				
11	2	119802-11870	PROTECTOR, NOZZLE	4	4	4	4				
12	2	119625-11880	SEAT, NOZZLE	4	4	4	4				
13	2	24311-000120	O-RING, 1AP12.0	8	8	8	8				
14	2	129933-11310	GASKET, BONNET	1	1	1	1				
15	2	129907-12110	GASKET, MANIFOLD	1	1	1	1				
16	2	129928-13720	GASKET	1	1	1	1				
17	2	119129-77020	GASKET	1	1	1	1				
18	2	121850-77021	GASKET, AIR HEATER	1	1	1	1				
19	2	129900-13251	GASKET, EXH.MANIFOLD	1	1	1	1				
20	2	129928-13410	GASKET	2	2	2	2				
21	2	129927-13810	GASKET	1	1	1	1				
22	2	129927-13910	GASKET, EGR	1	1	1	1				
23	2	129927-13920	GASKET, EGR	1	1	1	1				
24	2	123901-18080	GASKET	1	1	1	1				
25	2	129472-18090	GASKET	1	1	1	1				
26	2	24321-000600	O-RING, 1AG60.0	1	1	1	1				
27	2	22190-080002	WASHER, SEAL 6	9	9	9	9				
28	2	23414-100000	GASKET, 10X1.0	2	2	2	2				
29	2	129908-39690	GASKET	1	1	1	1				
30	2	129900-42020	GASKET, WATER PUMP	1	1	1	1				
31	2	121850-49540	GASKET, THERMOSTAT	1	1	1	1				
32	2	121850-49550	GASKET, THERMOSTAT	1	1	1	1				
33	2	22190-120002	WASHER, SEAL 12	1	1	1	1				
34	2	129900-49870	GASKET, THERMOSTAT	1	1	1	1				
35	2	23414-080000	GASKET, 8X1.0	1	1	1	1				
36	2	124465-44950	GASKET, 16	2	2	2	2				
37	2	123907-59550	GASKET	5	5	5	5				
38	1	129400-92450	HONE, FLEX	1	1	1	1				1
39	1	97770-1207F	GASKET, LIQUID	1	1	1	1				1

Remarks
(1) OPTIONAL PART.

Parts No. Index

Parts No.	Fig. No.	Ref. No.
105010-39140	11	8 -1
105025-59750	17	7
114110-07760	17	22
114250-53080	16	5
114250-53120	16	9
114250-53130	16	10
114250-53140	16	11
114250-53210	16	12
114250-53400	16	13
119000-01840	3	3
119000-39650	11	40
119005-77051	5	17
119100-11330	4	65
119129-77020	5	15
	21	17
119129-77520	5	18
119130-44760	12	17
	13	17
119131-18320	8	3
119160-12530	5	32
119160-12540	5	33
119225-52102	17	23
119255-44660	13	68
119578-91351	20	15
	24	
119593-11301	4	34
119620-11180	4	18
119620-77380	19	4
119620-77421	19	7
119620-77440	19	12
119620-77461	19	14
119620-77471	19	15
119620-77480	19	20
119620-77490	19	16
119620-79200	19	8
119620-79210	19	9
119620-79220	19	10
119620-79230	19	11
119620-79250	19	6
119620-79260	19	18
119620-79280	19	21
119620-79290	19	22
119620-79300	19	23
119620-79310	19	24
119620-79320	19	25
119620-79330	19	26
119620-79340	19	27
119620-79350	19	28
119620-79360	19	29
119625-11880	4	30

Parts No.	Fig. No.	Ref. No.
119625-11880	21	12
119640-01640	3	7
119761-39450	11	1
119802-11870	4	29
	21	11
119802-13790	6	10
119802-51680	14	65
119802-51690	14	66
119802-55700	17	33
119802-55710	17	35
119802-55730	17	36
119803-11340	4	19
	21	9
119810-77340	19	33 -1
119852-51630	14	70
119852-51640	14	71
119852-51650	14	73
119934-59910	14	130
119940-77270	19	31
120130-22301	9	20
121250-44901	13	39
121252-39150	11	7
121450-42450	12	38
	13	38
121520-34810	10	14
121750-59890	10	11
	17	12
121820-12590	5	34
121850-21130	9	10
121850-21290	9	4
121850-21920	9	5
121850-49540	12	26
	13	26
	21	31
121850-49550	12	28
	13	28
	21	32
121850-49810	12	29
	13	29
121850-77021	5	16
	21	18
123472-59120	16	26
123501-79240	19	5
123900-13630	6	6
123900-25060	7	9
123901-18080	6	24
	21	24
123901-39820	11	30
123907-03100	4	59
123907-03110	4	60

Parts No.	Fig. No.	Ref. No.
123907-03120	4	61
123907-03140	4	62
123907-11280	4	39
123907-11550	4	5
123907-11601	16	25
123907-11820	4	25
123907-11830	4	24
123907-39500	11	16
123907-55810	17	2
123907-59540	17	14
123907-59550	17	15
	21	37
123907-59560	17	20
123910-39850	11	28
123910-49600	10	8
123910-49610	10	10
123912-33050	10	2
123912-33100	10	3
124070-13300	11	25
124160-01751	2	14
	4	54
124160-11340	4	20
	21	10
124160-11360	4	72
124223-39900	11	4
124411-01780	3	5
124465-44950	12	39
	13	40
	41	
	21	36
124722-59050	17	18
124766-59050	17	5
	9	
127410-21480	9	13
129001-91810	2	17
	25	
129004-55612	17	1
129005-59830	11	8
	18	
129006-44480	10	5
129008-61301	15	19
129009-11340	4	66
129052-42290	13	14
129052-79270	19	19
129100-01580	2	1
	3	1
129100-55690	17	34
129107-44590	13	63
129136-59110	17	10
129150-02450	7	4

Parts No.	Fig. No.	Ref. No.
129150-11230	4	42
		46
129150-11750	4	23
		43
		47
129150-14200	7	1
129150-25920	7	13
129150-35170	10	16
129150-59120	16	27
129150-59131	16	30
129198-59540	11	8 -2
129240-79300	19	13
129242-55700	17	24
129242-55720	17	25
129242-55730	17	26
129242-55740	17	27
129242-55750	17	28
129242-55760	17	29
129242-55770	17	30
129263-49750	17	17
129263-77941	14	123
129400-92450	21	38
129410-03990	5	24
129418-18320	6	3
		4
129423-77200	19	2
129423-77710	19	17
129457-59010	17	4
129466-49300	10	7
129472-18090	8	2
	21	25
129508-44550	13	62
129509-03050	5	21
129509-12070	5	26
129509-53000	16	2
129509-79700	4	67
129657-51590	14	60
129657-51600	14	61
129685-77640	22	28
129795-01900	19	1
129900-01200	1	27
129900-01250	1	4
129900-01740	2	16
129900-01850	2	23
129900-01870	2	24
129900-02020	1	6
129900-02341	1	33
129900-02410	1	9
129900-02931	1	24
129900-02941	1	36

Parts No. Index

Parts No.	Fig. No.	Ref. No.
129900-13251	6	5
	21	19
129900-14100	7	6
129900-21200	9	3
129900-21640	9	8
129900-23001	9	22
129900-23200	9	25
129900-23601	9	26
129900-23611	9	29
129900-23911	9	28
129900-25100	7	10
129900-32030	2	6
	10	17
	21	3
129900-32040	2	7
	21	4
129900-42020	12	11
	13	11
	21	30
129900-42461	12	14
	13	15
129900-49870	12	34
	13	34
	21	34
129900-77010	18	1
129900-77040	22	1
129900-77120	22	2
129900-77130	22	5
129900-77140	22	6
129900-77150	22	9
129900-77160	22	10
129900-77170	22	13
129900-77180	22	14
129900-77190	22	15
129900-77270	22	17
129900-77280	22	22
129900-77290	22	23
129900-77380	22	24
129900-77390	22	25
129900-77400	18	2
129900-77420	22	26
129900-77430	22	27
129900-77440	18	5
129900-77450	18	7
		9
	22	7
		12
129900-77460	18	11
129900-77480	18	8
129900-77510	18	17

Parts No.	Fig. No.	Ref. No.
129900-77520	18	20
129900-77540	18	18
129900-77550	18	19
129900-77591	18	12
129900-77610	18	23
129900-77620	18	13
129900-77640	18	15
129900-77650	18	14
129900-77700	18	16
129900-77710	18	24
129906-51580	14	58
129907-01331	1	28
	21	2
129907-03011	4	56
129907-03061	4	57
129907-03070	4	58
129907-07900	4	1
129907-11100	4	15
129907-11110	4	16
129907-11120	4	17
129907-11250	4	36
129907-11260	4	37
129907-11270	4	38
129907-11341	4	35
129907-11510	4	21
129907-11650	4	40
129907-11660	4	44
129907-11800	4	28
129907-11910	4	31
129907-11920	4	48
129907-11950	4	32
129907-12110	5	1
	21	15
129907-14400	7	2
129907-21660	9	9
129907-25900	7	16
129907-44560	13	67
129907-44600	13	64
129907-44610	13	65
129907-51560	14	55
129907-59140	17	13
129908-14581	7	3
129908-21000	9	1
129908-32060	2	4
129908-33010	10	1
129908-33101	10	4
129908-39410	11	34
129908-39690	11	29
	21	29
129908-49060	10	6

Parts No.	Fig. No.	Ref. No.
129915-01610	3	2
129916-01800	2	22
129916-21610	9	7
129916-44740	12	16
	13	16
129916-49530	12	25
	13	25
129920-21580	9	11
129927-13810	6	12
	21	21
129927-13900	6	19
129927-13910	6	20
	21	22
129927-13920	6	21
	21	23
129927-22050	9	16
129927-39060	11	14
129927-42000	12	1
	13	1
129927-42140	2	7 A
129927-44900	12	20
	13	20
129927-49610	12	40
	13	42
129927-49620	12	44
	13	46
129927-51250	14	137
129927-51650	14	121
129927-51660	14	122
129927-51670	14	125
129927-59550	17	16
129927-59810	16	32
129927-59820	16	33
129927-59830	16	34
129927-59840	16	35
129927-75900	20	21
129927-77600	20	13
		22
129927-77680	20	14
		23
129927-77690	19	38
129927-77920	19	39
		40
129928-11700	4	6
129928-12100	5	3
129928-13100	6	2
129928-13150	6	1
129928-13400	6	7
129928-13410	6	8
		9

Parts No.	Fig. No.	Ref. No.
129928-13410	21	20
129928-13710	5	4
129928-13720	5	5
	21	16
129928-18200	5	10
129928-22080	9	14
129928-49400	12	21
	13	21
129928-49410	12	22
	13	22
129928-49420	12	48
	13	50
129928-49800	12	19
	13	19
129928-51390	14	22
129928-79700	12	57
	13	59
129933-11310	4	64
	21	14
129933-12500	5	30
129935-01500	2	3
129935-12520	5	31
129935-39040	11	2
129935-39610	11	26
129940-44500	13	61
129945-03080	5	22
129945-11320	4	55
129945-12080	5	27
129945-12150	5	2
129945-18010	8	1
129945-18210	5	11
129945-18220	5	12
129945-75020	20	1
129945-75050	20	2
129948-07900	4	2
129948-13800	6	11
129948-13810	6	13
129948-49610	12	49
	13	51
129948-49620	12	53
	13	55
129949-12560	5	35
129953-25300	7	15
129953-34830	10	15
129953-35000	10	18
129957-59120	17	6
129960-03990	12	50
		54
	13	52
		56

Parts No. Index

Parts No.	Fig. No.	Ref. No.
129960-21930	9	37
129960-21940	9	8 -1
129961-59110	17	11
129961-59310	17	8
129972-77330	19	32
129972-77341	19	33
129981-49050	13	69
129981-49062	13	70
129982-01710	3	6
129988-77330	19	32 -1
144626-51090	14	10
158552-51571	14	56
158552-51580	14	59
158552-51670	14	126
158552-51781	14	98
158552-52100	14	128
158552-52310	14	106
158552-52400	14	107
158552-52500	14	129
158553-51670	14	64
158553-51680	14	76
158553-61780	15	23
158557-51570	14	57
158557-61720	15	22
158563-51150	7	17
158563-51281	14	13
		20
		21
158563-51330	14	32
158600-51270	14	19
158601-51550	14	54
158601-51650	14	124
158601-51770	14	97
158601-51790	14	99
171008-77410	22	3
171008-77420	22	4
171008-77450	18	6
	22	8
171008-77670	22	18
171008-77730	18	21
171008-77740	18	22
171008-77750	18	25
	22	29
171051-01921	1	5
171056-49120	10	25
198461-52950	19	35
		36
		37
22190-080002	11	9
		11

Parts No.	Fig. No.	Ref. No.
22190-080002	11	11 -1
		19
		21
		23
	17	21
	21	27
22190-120002	12	31
	13	31
	14	101
		108
		131
	21	33
22190-180002	14	102
22190-220002	3	9
	21	8
22217-050000	14	132
22217-180000	7	18
	14	109
22252-000300	9	21
22312-050140	14	110
22351-030010	11	41
22351-050010	14	111
22351-060012	1	10
22512-070140	7	7
	9	6
22857-500100	4	68
		69
		70
22877-500080	20	16
		25
23000-025000	10	12
	11	31
23000-054000	5	13
23000-060000	5	36
23000-070000	5	14 -1
		28
23000-080000	5	14
23000-090000	5	37
23000-102000	5	29
23010-050000	13	71
23010-060000	13	72
23080-012000	12	43
		47
		45
	13	49
23414-080000	12	35
		35
	21	35
23414-100000	11	12
		21
		28

Parts No.	Fig. No.	Ref. No.
23414-120000	15	24
23857-030000	11	10
		20
23875-030000	12	23
		32
	13	23
		32
23876-020000	4	12
23876-030000	1	11
		12
		13
		29
	4	13
23887-120002	14	103
	15	25
24311-000070	2	8
	14	112
	21	5
24311-000120	4	33
		73
	21	13
24311-000160	17	31
		37
24311-000320	2	15
	4	74
	21	7
24321-000600	10	13
	21	26
24321-000650	17	38
24321-000750	17	32
24341-000480	15	26
24351-030750	2	9
	21	6
24356-010200	14	67
		113
24356-020210	14	114
24372-000150	14	68
25132-004100	12	15
	13	14 -1
26014-060122	13	66
26014-080252	19	34 -1
26106-060102	14	115
26106-060122	4	71
	14	133
26106-060162	11	32
26106-060202	5	6
	12	33
	13	33
26106-060252	15	27
26106-060302	12	12

Parts No.	Fig. No.	Ref. No.
26106-060302	13	12
26106-060352	14	116
26106-080122	3	10
	10	23
	11	13
		22
		24
		33
	12	36
		58
	13	36
		60
26106-080162	2	10
		18
		26
		4
		7
	10	24
26106-080202	2	11
	4	4
	14	138
26106-080222	19	34
26106-080252	15	28
26106-080302	12	18
	13	18
	14	139
	17	3
26106-080352	6	14
26106-080402	2	19
		27
	4	50
	5	19
26106-080452	2	12
	5	8
	6	15
26106-080552	6	16
	7	14
	12	13
	13	13
26106-080602	4	51
		52
	12	37
	13	37
26106-080802	5	9
26106-080902	5	20
26106-100252	6	17
26106-100402	6	22
26106-101052	6	23
26116-120302	18	26
	22	30

Parts No. Index

Parts No.	Fig. No.	Ref. No.
26206-100352	3	4
26216-060202	5	7
26216-100302	2	5
26226-080222	4	49
26306-080002	4	53
	6	18
	8	4
26306-100002	2	13
	19	30
26366-060002	16	36
26450-100452	14	117
26716-050002	14	134
26776-180002	7	19
	14	118
27241-160000	14	135
27241-300000	1	14
27241-400000	4	14
27310-070001	4	26
729900-02801	1	30
729907-01559	2	20
729927-22950	9	33
729928-01560	1	1
729928-22900	9	31
729928-53200	16	1
729928-92690	21	1
729945-51390	14	1
977770-1207F	21	39
X2114155110	18	3
X2114255110	18	4
X2114955020	22	16
X2130631300	18	10
	22	11
X9490561001	19	3

Parts No.	Fig. No.	Ref. No.
-----------	----------	----------

Parts No.	Fig. No.	Ref. No.
-----------	----------	----------

Parts No.	Fig. No.	Ref. No.
-----------	----------	----------