

0CD50-M02640EN

P R E F A C E

This parts catalog is the 1st edition of 4TNV98T-ZCNLYS for LIUGONG.

Published : September, 2016

Contents

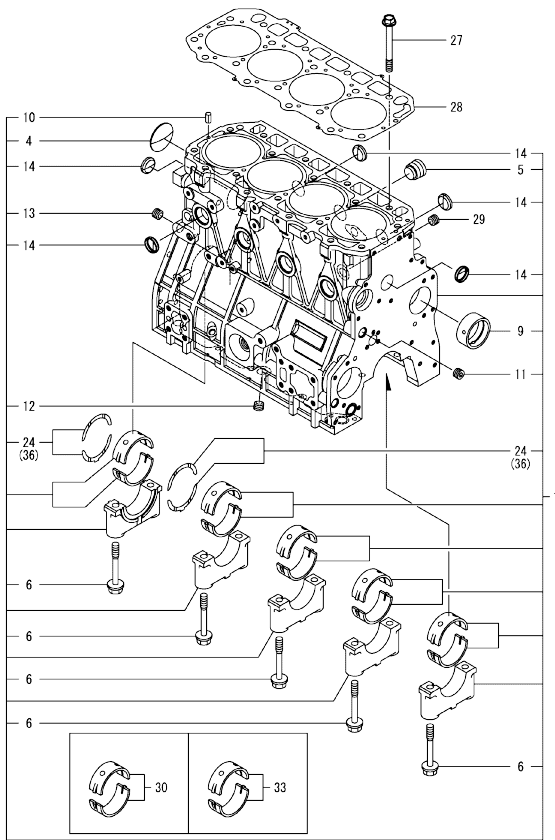
0CD50-M02640

Fig. No.	Fig. Name	Fig. No.	Fig. Name
ENGINE			
1.	CYLINDER BLOCK		
2.	GEAR HOUSING		
3.	FLYWHEEL HOUSING & OIL SUMP		
4.	CYLINDER HEAD & BONNET		
5.	SUCTION MANIFOLD & AIR CLEANER		
6.	EXHAUST MANIFOLD & SILENCER		
7.	CAMSHAFT & DRIVING GEAR		
8.	TURBINE		
9.	CRANKSHAFT & PISTON		
10.	LUB. OIL SYSTEM		
11.	LUB. OIL PIPE		
12.	COOLING WATER SYSTEM		
13.	FUEL INJECTION PUMP		
14.	GOVERNOR		
15.	FUEL INJECTION VALVE		
16.	FUEL PIPE		
17.	STARTER MOTOR		
18.	GENERATOR		
19.	ELECTRONIC CONTROL UNIT(ECU)		
20.	ACCESSORY		
21.	GASKET SET		

Fig.1. CYLINDER BLOCK

(A)=4TNV98T-ZCNLYS
(B)=
(C)=

(D)=
(E)=
(F)=

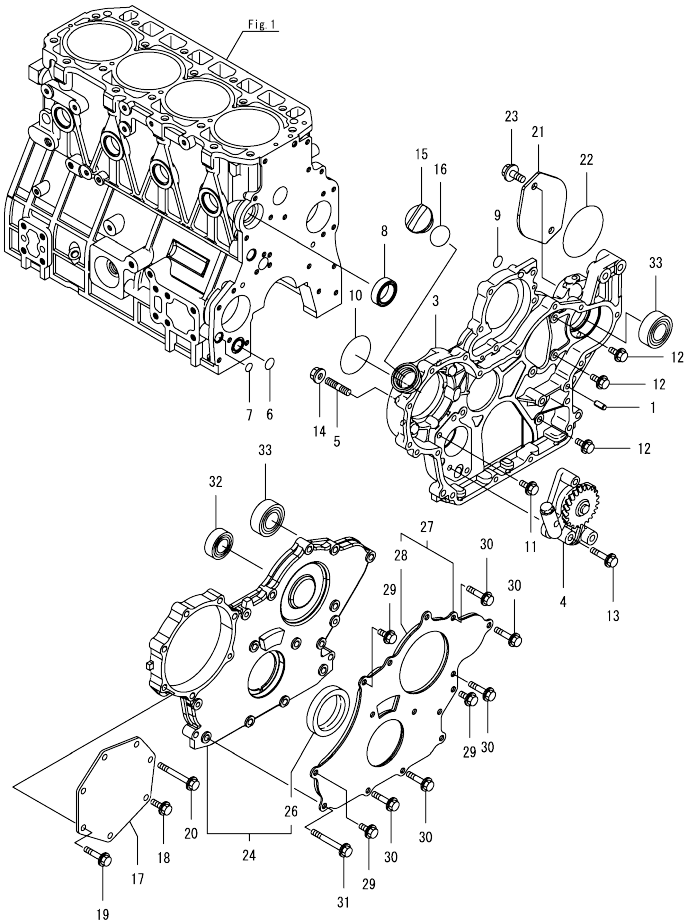


No.	Lev.	Parts No.	Description	Q'ty						I	R
				(A)	(B)	(C)	(D)	(E)	(F)		
1	1	729928-01560	BLOCK ASSY, CYLINDER	1							
4	2	129900-01250	PLUG, DISH TYPE 55	1							
5	2	171051-01921	PLUG, NPTF1	1							
6	2	129900-02020	BOLT, METAL CAP	10							
9	2	129900-02410	BUSH, CAMSHAFT	1							
10	2	22351-060012	PIN, SPRING 6.0X12	2							
11	2	23876-030000	PLUG, R03	1							
12	2	23876-030000	PLUG, R03	1							
13	2	23876-030000	PLUG, R03	1							
14	2	27241-300000	PLUG 30	8							
24	2	129900-02931	BEARING ASSY, THRUST	2							
27	1	129900-01200	BOLT, CYLINDER HEAD	18							
28	1	129907-01331	GASKET, HEAD	1							
29	1	23876-030000	PLUG, R03	1							
30	1	729900-02801	BEARING, MAIN	5							1
33	1	129900-02341	BEARING ASSY, MAIN	5							2
36	1	129900-02941	BEARING, THRUST 0.25	2							3

Remarks

- (1) Spare parts.
- (2) Under-sized (U.S.=0.25) parts.
- (3) Over-sized (O.S.=0.25) parts.

Fig.2. GEAR HOUSING



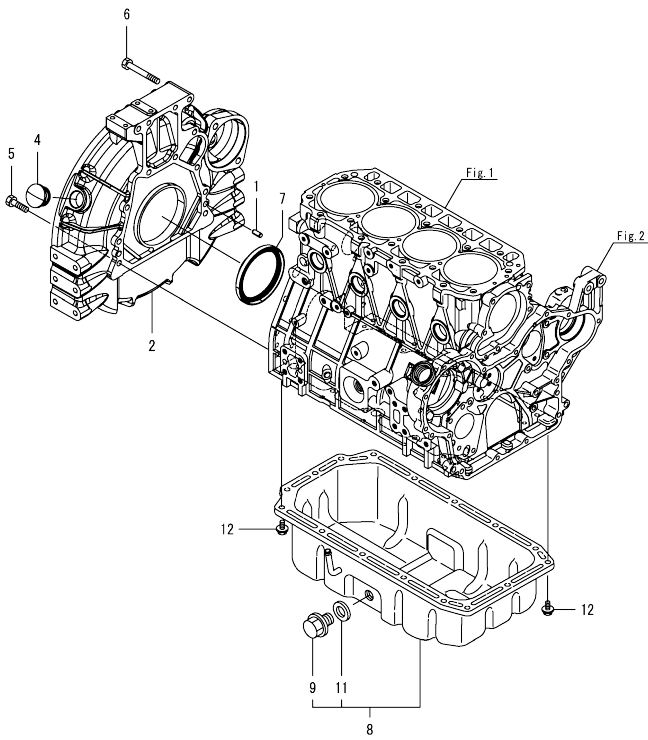
(A)=4TNV98T-ZCNLYS
(B)=
(C)=

(D)=
(E)=
(F)=

No.	Lev.	Parts No.	Description	Qty						I	R
				(A)	(B)	(C)	(D)	(E)	(F)		
1	1	129100-01580	PIN, PARALLEL 8X16	4							
3	1	129933-01500	CASE, GEAR	1							
4	1	129908-32060	PUMP ASSY, OIL	1							
5	1	26216-100302	STUD, M10X 30	4							
6	1	129900-32030	O-RING, P20	1							
7	1	129900-32040	O-RING, P14	1							
8	1	129927-42140	GASKET, CW-P OUT	1							
9	1	24311-000070	O-RING, 1AP7.0	1							
10	1	24351-030750	O-RING, 1A3075	1							
11	1	26106-080162	BOLT, M8X 16 PLATED	1							
12	1	26106-080202	BOLT, M8X 20 PLATED	3							
13	1	26106-080452	BOLT, M8X 45 PLATED	3							
14	1	26306-100002	NUT, M10	4							
15	1	124160-01751	CAP, FILLER	1							
16	1	24311-000320	O-RING, 1AP32.0	1							
17	1	129951-01740	COVER	1							
18	1	26106-080202	BOLT, M8X 20 PLATED	1							
19	1	26106-080452	BOLT, M8X 45 PLATED	5							
20	1	26106-080752	BOLT, M8X 75 PLATED	1							
21	1	121023-26071	COVER, PUMP	1							
22	1	24321-000850	O-RING, 1AG85.0	1							
23	1	26106-100202	BOLT, M10X 20 PLATED	2							
24	1	729907-01559	COVER ASSY, GEAR CASE	1							
26	2	129916-01800	SEAL, OIL	1							
27	1	129900-01850	COVER ASSY, GEAR CASE	1							
28	2	129900-01870	SPONGE, GEAR CASE	1							
29	1	26106-080162	BOLT, M8X 16 PLATED	3							
30	1	26106-080402	BOLT, M8X 40 PLATED	5							
31	1	26106-080702	BOLT, M8X 70 PLATED	6							
32	1	129900-14140	BEARING, BALL 6205	1							
33	1	129900-26250	BEARING, BALL 6206C3	2							

N:Old $\frac{100}{100}$ New, Q:Old $\frac{100}{100}$ New, R:Old $\frac{100}{100}$ New, S:Old $\frac{100}{100}$ New, W:Add, Z:Discontinued, F:Interchangeable by set, K:Qty Change
Copyright (C) 2016 YANMAR GLOBAL CS CO., LTD. All Rights Reserved.

Fig.3. FLYWHEEL HOUSING & OIL SUMP

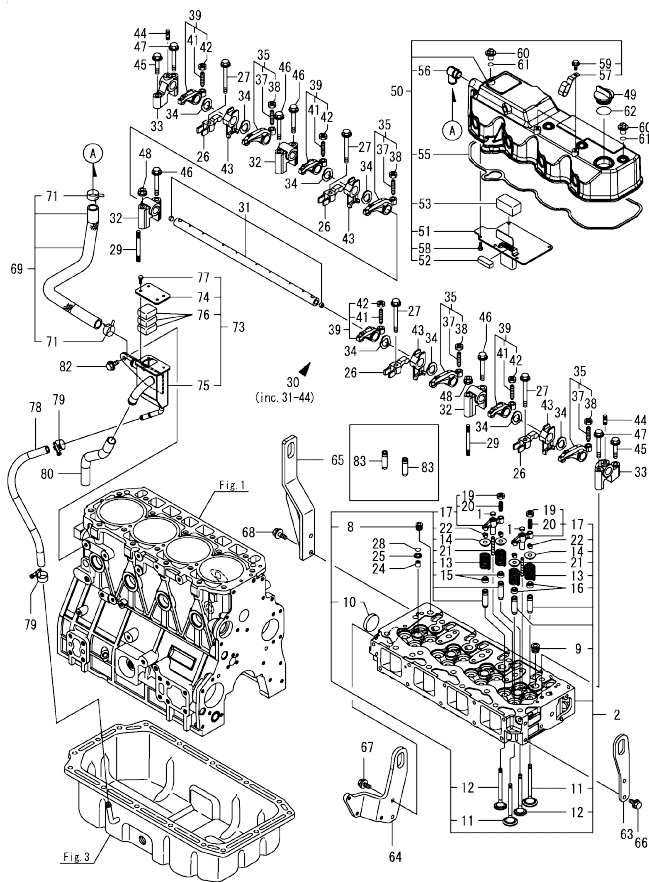


(A)=4TNV98T-ZCNLYS
(B)=
(C)=

(D)=
(E)=
(F)=

No.	Lev.	Parts No.	Description	Q'ty						I	R
				(A)	(B)	(C)	(D)	(E)	(F)		
1	1	129100-01580	PIN, PARALLEL 8X16	2							
2	1	129900-01620	HOUSING, FLYWHEEL	1							
4	1	119620-01750	CAP	1							
5	1	26206-100352	BOLT, M10X 35 PLATED	9							
6	1	26206-100702	BOLT, M10X 70 PLATED	4							
7	1	129916-01790	SEAL, D115/95XT11	1							
8	1	129928-01710	OIL PAN ASSY	1							
9	2	119640-01640	PLUG, DRAIN M22	1							
11	2	22190-220002	WASHER, SEAL 22	1							
12	1	26106-080122	BOLT, M8X 12 PLATED	16							

Fig.4. CYLINDER HEAD & BONNET



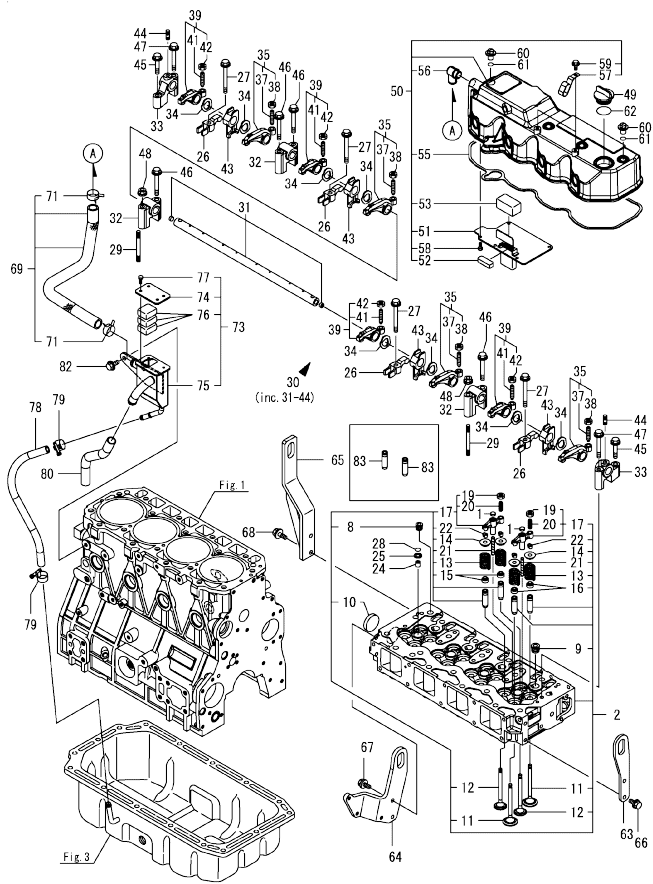
(A)=4TNV98T-ZCNLYS
(B)=
(C)=

(D)=
(E)=
(F)=

No.	Lev.	Parts No.	Description	Q'ty						I	R
				(A)	(B)	(C)	(D)	(E)	(F)		
1	1	123907-11550	SEAT, VALVE BRIDGE	8							
2	1	129928-11710	HEAD ASSY, CYLINDER	1							
8	2	23876-020000	PLUG, R02	1							
9	2	23876-030000	PLUG, R03	4							
10	2	27241-400000	PLUG, 40	1							
11	2	129985-11100	VALVE, INTAKE	8							
12	2	129907-11110	VALVE, EXHAUST	8							
13	2	129907-11120	SPRING, VALVE	16							
14	2	119620-11180	RETAINER, SPRING	16							
15	2	119803-11340	SEAL, VALVE STEM	8							
16	2	124160-11340	SEAL, VALVE STEM	8							
17	2	129907-11510	BRIDGE ASSY, VALVE	8							
19	3	129150-11750	NUT, M8	8							
20	3	123907-11830	ADJUSTER	8							
21	2	123907-11820	GUIDE, BRIDGE	8							
22	2	27310-070001	COTTER, 7	16							
24	1	119802-11870	PROTECTOR, NOZZLE	4							
25	1	119625-11880	SEAT, NOZZLE	4							
26	1	129907-11910	RETAINER, NOZZLE	4							
27	1	129907-11950	BOLT, M8X75	4							
28	1	24311-000120	O-RING, 1AP12.0	4							
29	1	119593-11301	BOLT, STUD M8X80	2							
30	1	129907-11341	SHAFT ASSY, ROCKER	1							
31	2	129907-11250	SHAFT, ROCKER ARM	1							
32	2	129907-11260	SUPPORT, ROCKER ARM	3							
33	2	129907-11270	SUPPORT, ROCKER ARM	2							
34	2	123907-11280	WASHER	8							
35	2	129907-11650	ARM ASSY, ROCKER	4							
37	3	129150-11230	SCREW, VALVE ADJUST	4							
38	3	129150-11750	NUT, M8	4							
39	2	129907-11660	ARM ASSY, ROCKER	4							
41	3	129150-11230	SCREW, VALVE ADJUST	4							
42	3	129150-11750	NUT, M8	4							
43	2	129907-11920	RETAINER, NOZZLE	4							
44	2	26226-080222	STUD, M8X 22	2							
45	1	26106-080402	BOLT, M8X 40 PLATED	2							
46	1	26106-080602	BOLT, M8X 60 PLATED	4							
47	1	26106-080602	BOLT, M8X 60 PLATED	2							
48	1	26306-080002	NUT, M8	2							
49	1	124160-01751	CAP, FILLER	1							
50	1	129948-11300	BONNET ASSY, HEAD	1							
51	2	129907-03011	PLATE, BAFFLE	1							
52	2	129907-03061	BAFFLE, BREATHER	1							
53	2	129907-03070	BAFFLE, BREATHER	1							
55	2	129933-11310	GASKET, BONNET	1							
56	2	119100-11330	ELBOW, BREATHER	1							
57	2	129509-79700	CLAMP, 140-M6	2							
58	2	22857-500100	SCREW, 5X10	6							
59	2	26106-060122	BOLT, M6X 12 PLATED	2							
60	1	124160-11360	KNOB	4							
61	1	24311-000120	O-RING, 1AP12.0	4							

Remarks
(1)Spare parts.

Fig.4. CYLINDER HEAD & BONNET



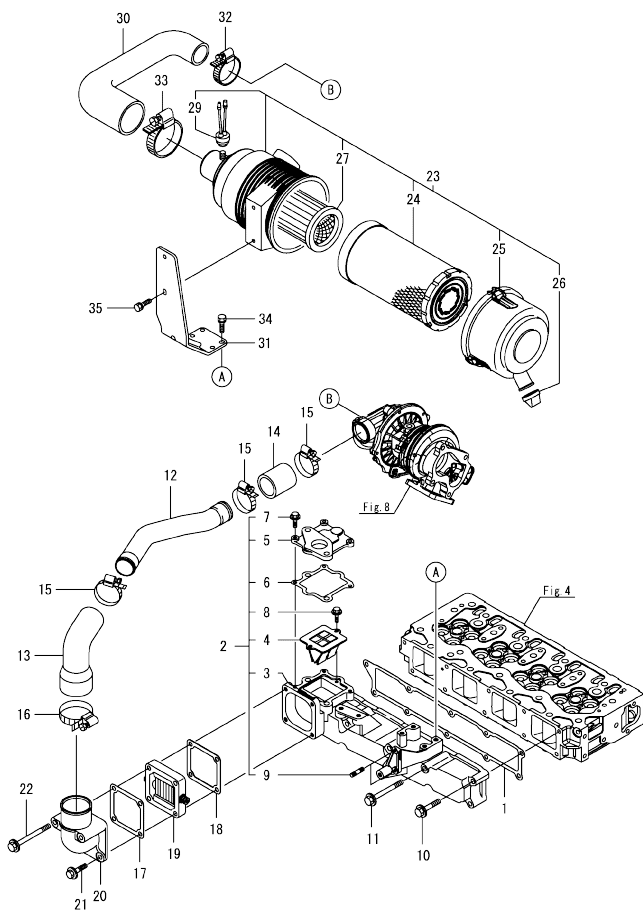
(A)=4TNV98T-ZCNLYS
(B)=
(C)=

(D)=
(E)=
(F)=

No.	Lev.	Parts No.	Description	Q'ty						I	R
				(A)	(B)	(C)	(D)	(E)	(F)		
62	1	24311-000320	O-RING, 1AP32.0	1							
63	1	129907-07900	LIFTER, ENGINE	1							
64	1	129948-07900	LIFTER, ENGINE	1							
65	1	129949-07911	LIFTER, ENGINE	1							
66	1	26106-080162	BOLT, M8X 16 PLATED	2							
67	1	26106-080202	BOLT, M8X 20 PLATED	2							
68	1	26106-080202	BOLT, M8X 20 PLATED	2							
69	1	129948-03080	HOSE ASSY, BREATHER	1							
71	2	129410-03990	CLAMP, HOSE 21.5	2							
73	1	129972-03240	SEPARATOR ASSY, MIST	1							
74	2	129972-03220	COVER, SEPARATOR	1							
75	2	129972-03230	SEPARATOR, MIST	1							
76	2	123901-03240	FILTER	3							
77	2	26116-050102	BOLT, M5X 10 PLATED	4							
78	1	123951-03300	HOSE	1							
79	1	23000-022000	CLAMP, 22	2							
80	1	23065-160250	PIPE, 16X 250	1							
82	1	26106-080142	BOLT, M8X 14 PLATED	2							
83	1	129907-11800	GUIDE, VALVE	16							1

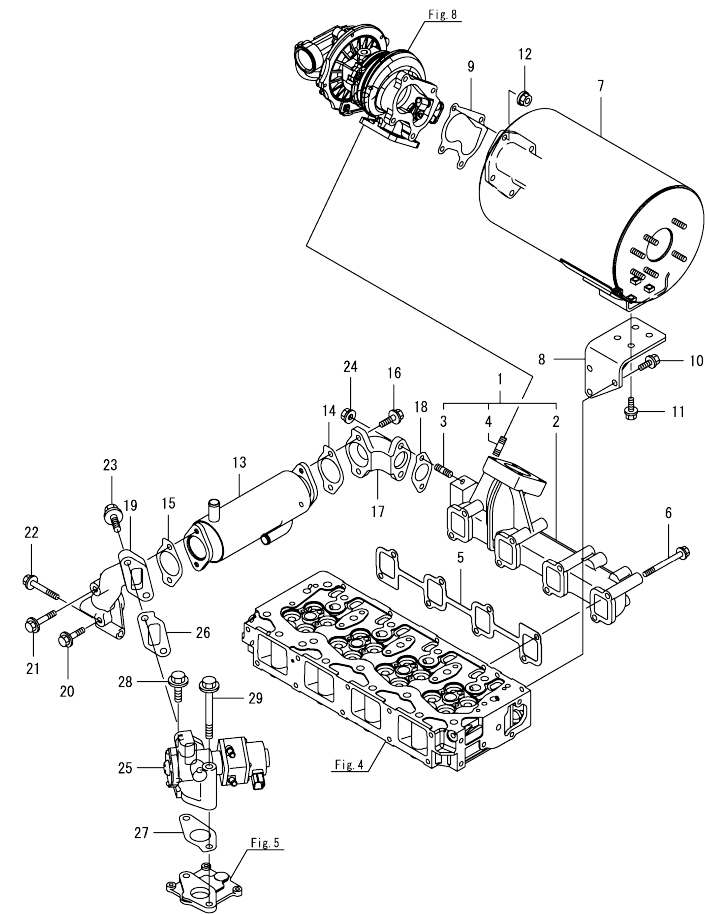
Remarks
(1) Spare parts.

Fig.5. SUCTION MANIFOLD & AIR CLEANER



No.	Lev.	Parts No.	Description	Q'ty						I	R
				(A)	(B)	(C)	(D)	(E)	(F)		
1	1	129907-12110	GASKET, MANIFOLD	1							
2	1	129928-12150	MANIFOLD ASSY, INTAKE	1							
3	2	129928-12100	MANIFOLD, AIR INTAKE	1							
4	2	129928-13700	VALVE, LEAD	1							
5	2	129928-13710	SPACER, EGR VALVE	1							
6	2	129928-13720	GASKET	1							
7	2	26106-060202	BOLT, M6X 20 PLATED	3							
8	2	26106-060202	BOLT, M6X 20 PLATED	2							
9	2	26216-060202	STUD, M6X 20	2							
10	1	26106-080452	BOLT, M8X 45 PLATED	6							
11	1	26106-080802	BOLT, M8X 80 PLATED	4							
12	1	129928-18200	DUCT, AIR	1							
13	1	129974-18210	JOINT, RUBBER	1							
14	1	123951-18220	JOINT, RUBBER	1							
15	1	23000-054000	CLAMP, 54	3							
16	1	23000-080000	CLAMP, 80	1							
16-1	1	23000-070000	CLAMP, 70	1							N
17	1	119129-77020	GASKET	1							
18	1	121850-77021	GASKET, AIR HEATER	1							
19	1	119005-77051	HEATER, AIR	1							
20	1	119129-77520	BEND	1							
21	1	26106-080402	BOLT, M8X 40 PLATED	2							
22	1	26106-080902	BOLT, M8X 90 PLATED	2							
23	1	129935-12500	AIR CLEANER ASSY	1							
24	2	129935-12520	ELEMENT, OUTER	1							
25	2	119160-12530	COVER ASSY	1							
26	2	119160-12540	VALVE	1							
27	2	119160-12570	ELEMENT, INNER	1							
29	2	119140-12680	INDICATOR, CLEANER	1							
30	1	129928-12060	HOSE, AIR INTAKE	1							
31	1	129949-12560	BRACKET, CLEANER	1							
32	1	23000-060000	CLAMP, 60	1							
33	1	23000-102000	CLAMP, 102	1							
34	1	26013-080222	BOLT, M8X 22	4							
35	1	26013-080222	BOLT, M8X 22	2							

Fig.6. EXHAUST MANIFOLD & SILENCER

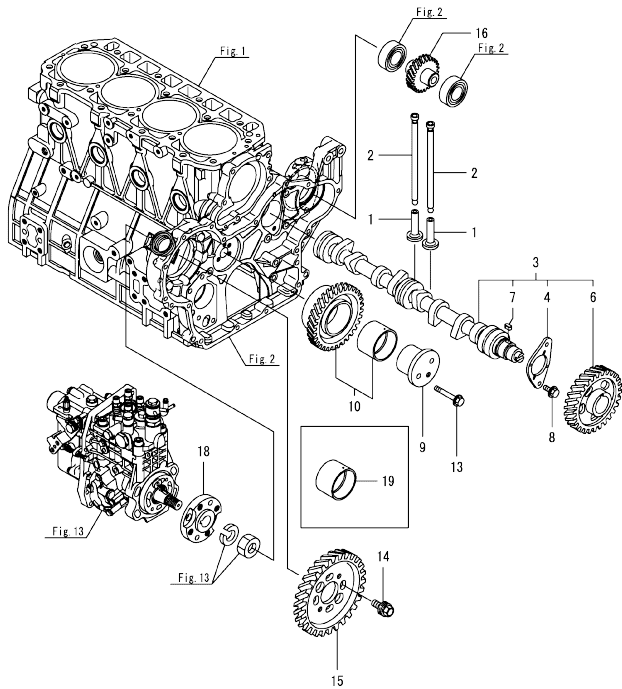


(A)=4TNV98T-ZCNLYS
(B)=
(C)=

(D)=
(E)=
(F)=

No.	Lev.	Parts No.	Description	Q'ty						I	R
				(A)	(B)	(C)	(D)	(E)	(F)		
1	1	129928-13150	MANIFOLD ASSY, EXH.	1							
2	2	129928-13100	MANIFOLD, EXHAUST	1							
3	2	129418-18320	BOLT, STUD M8X20	2							
4	2	129418-18320	BOLT, STUD M8X20	4							
5	1	129900-13251	GASKET, EXH.MANIFOLD	1							
6	1	129E00-13640	BOLT, M8X80 10.9T	8							
7	1	129908-13510	SILENCER	1							
8	1	129935-13600	STAY, SILENCER	1							
9	1	123901-18080	GASKET	1							
10	1	26014-080202	BOLT, M8X 20	3							
11	1	26014-080222	BOLT, M8X 22	4							
12	1	26306-080002	NUT, M8	4							
13	1	129928-13400	COOLER ASSY, EGR	1							
14	1	129928-13410	GASKET	1							
15	1	129928-13410	GASKET	1							
16	1	119802-13791	BOLT, M8X25 10.9T	2							
17	1	129948-13800	PIPE, EGR IN	1							
18	1	129927-13810	GASKET	1							
19	1	129948-13810	PIPE, EGR IN	1							
20	1	26106-080352	BOLT, M8X 35 PLATED	1							
21	1	26106-080452	BOLT, M8X 45 PLATED	1							
22	1	26106-080552	BOLT, M8X 55 PLATED	2							
23	1	26106-100252	BOLT, M10X 25 PLATED	2							
24	1	26306-080002	NUT, M8	2							
25	1	129928-13900	VALVE, EGR	1							
26	1	129927-13910	GASKET, EGR	1							
27	1	129927-13920	GASKET, EGR	1							
28	1	26106-100402	BOLT, M10X 40 PLATED	1							
29	1	26106-101052	BOLT, M10X105 PLATED	1							

Fig.7. CAMSHAFT & DRIVING GEAR



(A)=4TNV98T-ZCNLYS
(B)=
(C)=

(D)=
(E)=
(F)=

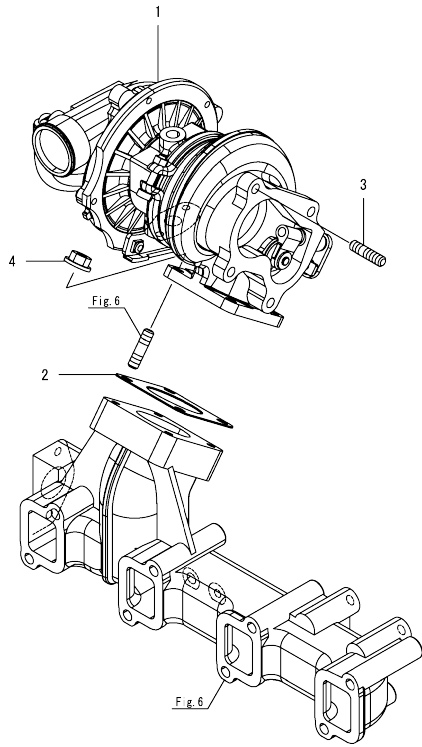
No.	Lev.	Parts No.	Description	Q'ty						I	R
				(A)	(B)	(C)	(D)	(E)	(F)		
1	1	129150-14200	TAPPET	8							
2	1	129907-14400	PUSH-ROD	8							
3	1	129908-14590	CAMSHAFT ASSY	1							
4	2	129150-02450	BEARING, THRUST	1							
6	2	129900-14110	GEAR, CAMSHAFT	1							
7	2	22512-070140	KEY, 7X 14	1							
8	1	26106-080142	BOLT, M8X 14 PLATED	2							
9	1	123900-25060	SHAFT, IDLE GEAR	1							
10	1	129900-25110	GEAR ASSY, IDLE	1							
13	1	26106-080552	BOLT, M8X 55 PLATED	3							
14	1	129953-25300	BOLT	4							
15	1	129907-25900	GEAR, PUMP	1							
16	1	129900-26030	GEAR ASSY, PUMP	1							
18	1	158563-51150	FLANGE	1							
19	1	129150-25920	BUSH, IDLE GEAR	1							1

Remarks

(1)Spare parts.

OCD50-M02640 ENGINE
 Fig.8. TURBINE

OCD50-M02640 Fig.8



(A)=4TNV98T-ZCNLYS
 (B)=
 (C)=

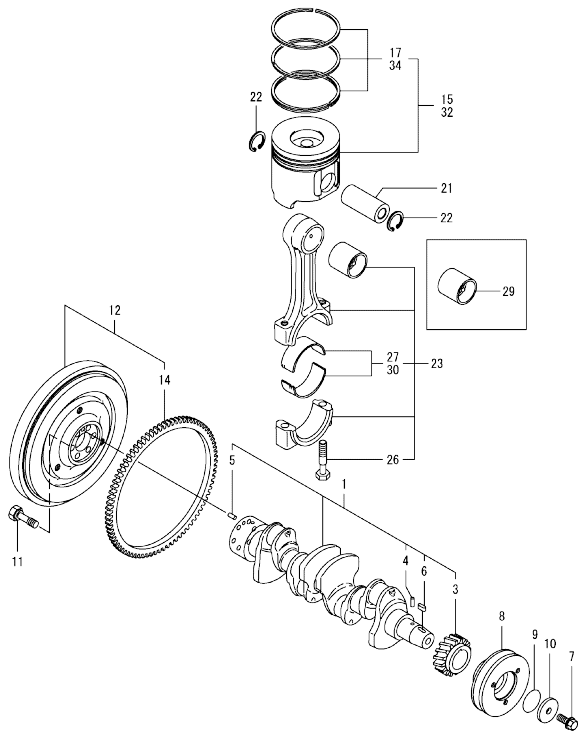
(D)=
 (E)=
 (F)=

No.	Lev.	Parts No.	Description	Q'ty					
				(A)	(B)	(C)	(D)	(E)	(F)
1	1	129935-18010	TURBOCHARGER, RHF5	1					
2	1	129472-18090	GASKET	1					
3	1	119131-18320	BOLT, STUD M8X22	4					
4	1	26306-080002	NUT, M8	4					

Fig.9. CRANKSHAFT & PISTON

(A)=4TNV98T-ZCNLYS
(B)=
(C)=

(D)=
(E)=
(F)=

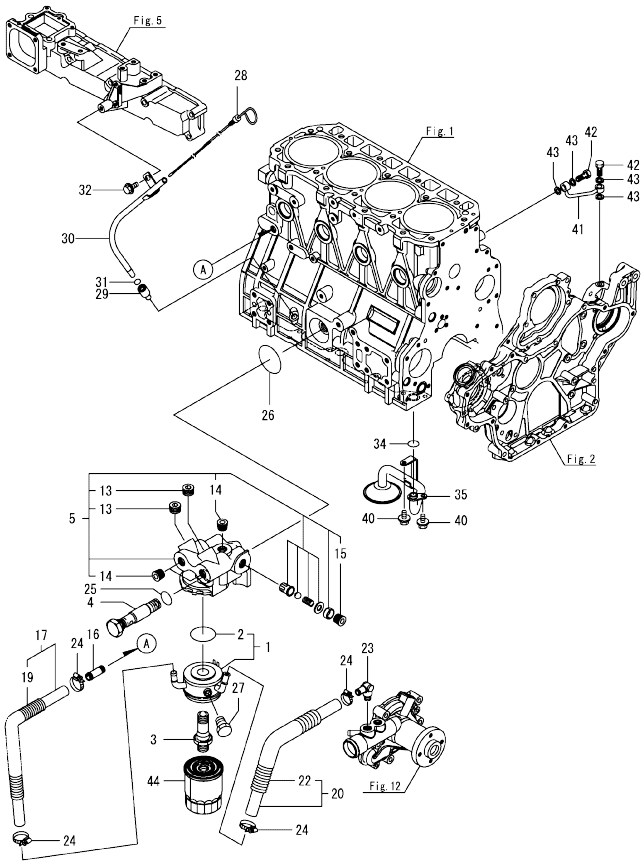


No.	Lev.	Parts No.	Description	Q'ty						I	R
				(A)	(B)	(C)	(D)	(E)	(F)		
1	1	129908-21100	CRANKSHAFT ASSY	1							
3	2	129900-21220	GEAR, CRANKSHAFT	1							
4	2	121850-21290	PIN	1							
5	2	121850-21920	PIN, PARALLEL 10X22	1							
6	2	22512-070140	KEY, 7X 14	1							
7	1	129916-21610	BOLT	1							
8	1	129944-21650	V-PULLEY, CRANK 130B	1							
9	1	129960-21930	GASKET, WASHER	1							
10	1	129960-21940	WASHER, V-PULLEY	1							
11	1	121850-21130	BOLT, FLYWHEEL	6							
12	1	129953-21570	FLYWHEEL ASSY	1							
14	2	129900-21600	GEAR, RING	1							
15	1	129928-22080	PISTON ASSY	4							
17	2	129927-22050	RING SET, PISTON	4							
21	1	120130-22301	PIN, PISTON	4							
22	1	22252-000300	RING, 30	8							
23	1	129900-23001	ROD ASSY, CONNECTING	4							
26	2	129900-23200	BOLT, CONNECTING ROD	8							
27	2	129900-23601	BEARING, CRANK PIN	4							
29	1	129900-23911	BEARING, PISTON PIN	4							1
30	1	129900-23611	BEARING ASSY, 0.25US	4							2
32	1	729928-22900	PISTON ASSY, 0.25 OS	4							3
34	2	729927-22950	RING SET, 0.25 OS	4							3

Remarks

- (1) Spare parts.
- (2) Under-sized (U.S.=0.25) parts.
- (3) Over-sized (O.S.=0.25) parts.

Fig.10. LUB. OIL SYSTEM



(A)=4TNV98T-ZCNLYS
(B)=
(C)=

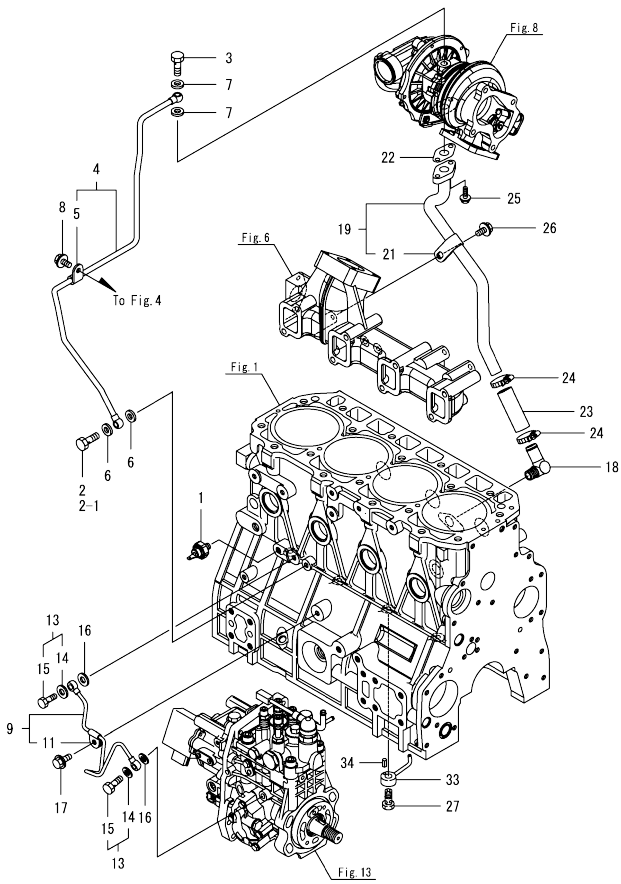
(D)=
(E)=
(F)=

No.	Lev.	Parts No.	Description	Q'ty						I	R
				(A)	(B)	(C)	(D)	(E)	(F)		
1	1	129949-33010	COOLER ASSY, OIL	1							
2	2	123912-33050	O-RING	1							
3	1	123910-33100	BOLT	1							
4	1	129956-33110	BOLT	1							
5	1	129E20-35100	BRACKET ASSY, FILTER	1							
13	2	23875-040000	PLUG, R04	2							
14	2	23876-040000	PLUG, R04	3							
15	2	23876-060000	PLUG, R06	1							
16	1	129122-44480	JOINT	1							
17	1	129949-49110	PIPE, WATER	1							
19	2	129956-49190	TUBE, CORRUGATED	1							
20	1	129956-49210	PIPE, WATER	1							
22	2	129956-49230	TUBE, CORRUGATED	1							
23	1	129466-49300	ELBOW, PT3/8	1							
24	1	23000-025000	CLAMP, 25	4							
25	1	24314-000200	O-RING, 4CP20.0	1							
26	1	24321-000600	O-RING, 1AG60.0	1							
27	1	171056-49120	PLUG, DRAIN R1/4	1							
28	1	129951-34801	DIPSTICK	1							
29	1	119260-34810	GUIDE, DIPSTICK	1							
30	1	129928-34850	GUIDE, DIPSTICK	1							
31	1	24316-240100	O-RING, 4DP10A	1							
32	1	26106-080162	BOLT, M8X 16 PLATED	1							
34	1	129900-32030	O-RING, P20	1							
35	1	129900-35000	PIPE ASSY, OIL INLET	1							
40	1	26106-080122	BOLT, M8X 12 PLATED	2							
41	1	129930-39050	PIPE, OIL	1							
42	1	105010-39140	BOLT, PIPE JOINT	2							
43	1	22190-080002	WASHER, SEAL 8	4							
44	1	119005-35151	FILTER, D80X100	1							1

Remarks

(1)Spare parts.

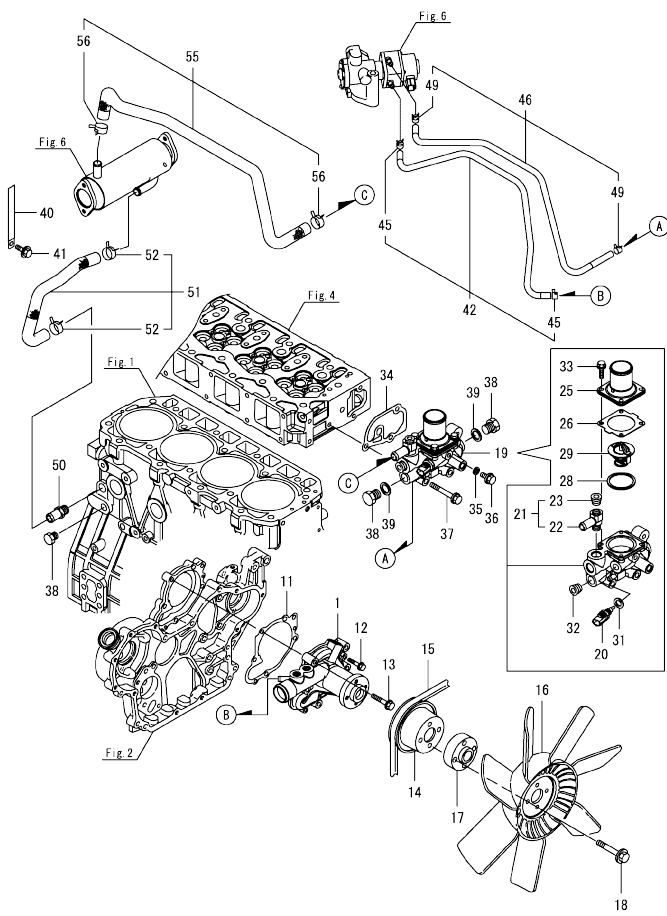
Fig.11. LUB. OIL PIPE



No.	Lev.	Parts No.	Description	Q'ty						I	R
				(A)	(B)	(C)	(D)	(E)	(F)		
1	1	119761-39450	SWITCH, HYDRAULIC	1							
2	1	105010-39140	BOLT, PIPE JOINT	1							
2-1	1	129198-59540	BOLT, PIPE JOINT M8	1							S
(A=E173179)											
3	1	121252-39150	BOLT, JOINT M10X1.5	1							
4	1	129928-39450	PIPE ASSY, OIL	1							
5	2	124223-39900	RETAINER	1							
6	1	22190-080002	WASHER, SEAL 8	2							
7	1	23414-100000	GASKET, 10X1.0	2							
8	1	26106-080122	BOLT, M8X 12 PLATED	1							
9	1	129927-39060	PIPE ASSY, OIL	1							
11	2	123907-39500	RETAINER, PIPE	1							
13	1	129005-59830	BOLT ASSY, JOINT M8	2							
14	2	22190-080002	WASHER, SEAL 8	2							
15	2	23857-030000	BOLT, JOINT 3	2							
16	1	22190-080002	WASHER, SEAL 8	2							
17	1	26106-080122	BOLT, M8X 12 PLATED	1							
18	1	124070-13300	ELBOW, PT3/8	1							
19	1	129935-39610	PIPE, OIL	1							
21	2	123910-39850	RETAINER	1							
22	1	129908-39690	GASKET	1							
23	1	123901-39820	HOSE, LO RETURN	1							
24	1	23000-025000	CLAMP, 25	2							
25	1	26106-060162	BOLT, M6X 16 PLATED	2							
26	1	26106-080122	BOLT, M8X 12 PLATED	1							
27	1	129908-39410	VALVE ASSY, CHECK	4							
33	1	119000-39650	NOZZLE, COOLING	4							
34	1	22351-030010	PIN, SPRING 3.0X10	4							

N:Old $\frac{100}{100}$ New, Q:Old $\frac{100}{100}$ New, R:Old $\frac{100}{100}$ New, S:Old $\frac{100}{100}$ New, W:Add, Z:Discontinued, F:Interchangeable by set, K:Q'ty Change
 Copyright (C) 2016 YANMAR GLOBAL CS CO., LTD. All Rights Reserved.

Fig.12. COOLING WATER SYSTEM



(A)=4TNV98T-ZCNLYS
(B)=
(C)=

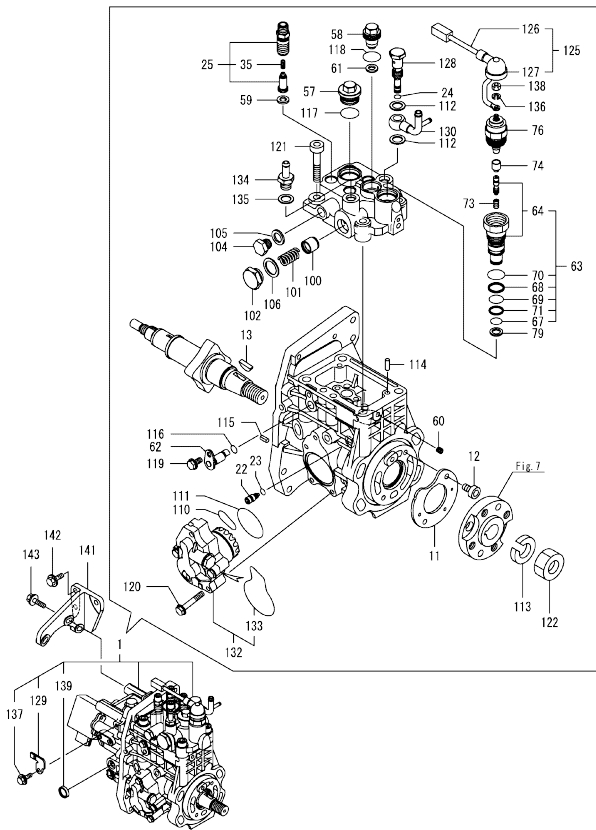
(D)=
(E)=
(F)=

No.	Lev.	Parts No.	Description	Q'ty						I	R
				(A)	(B)	(C)	(D)	(E)	(F)		
1	1	129948-42110	PUMP ASSY, WATER	1							
11	1	129900-42020	GASKET, WATER PUMP	1							
12	1	26106-060302	BOLT, M6X 30 PLATED	2							
13	1	26106-080552	BOLT, M8X 55 PLATED	5							
14	1	123900-42471	V-PULLEY, WATER PUMP	1							
15	1	129940-42240	V-BELT, B44	1							
16	1	123900-44740	FAN, COOLING D500	1							
17	1	123900-44761	SPACER, FAN	1							
18	1	26106-100452	BOLT, M10X 45 PLATED	4							
19	1	129928-49800	CASE ASSY,THERMOSTAT	1							
20	2	129927-44900	SENSOR, WATER TEMP.	1							
21	2	129928-49400	JOINT ASSY	1							
22	3	129928-49410	JOINT	1							
23	3	23875-030000	PLUG, R03	1							
25	2	129916-49530	COVER, THERMOSTAT	1							
26	2	121850-49540	GASKET, THERMOSTAT	1							
28	2	121850-49550	GASKET, THERMOSTAT	1							
29	2	121850-49811	THERMOSTAT, 71C	1							
31	2	22190-120002	WASHER, SEAL 12	1							
32	2	23875-030000	PLUG, R03	1							
33	2	26106-060202	BOLT, M6X 20 PLATED	4							
34	1	129900-49870	GASKET, THERMOSTAT	1							
35	1	23414-080000	GASKET, 8X1.0	1							
36	1	26106-080122	BOLT, M8X 12 PLATED	1							
37	1	26106-080602	BOLT, M8X 60 PLATED	3							
38	1	121450-42450	PLUG, M16	2							
39	1	124465-44950	GASKET, 16	2							
40	1	129928-79700	CLAMP, 150-M8	1							
41	1	26106-080122	BOLT, M8X 12 PLATED	1							
42	1	129927-49610	HOSE ASSY, WATER	1							
45	2	23080-012000	CLAMP, 12	2							
46	1	129927-49620	HOSE ASSY, WATER	1							
49	2	23080-012000	CLAMP, 12	2							
50	1	129928-49420	JOINT	1							
51	1	129948-49610	HOSE ASSY, WATER	1							
52	2	129960-03990	CLAMP, HOSE 19.8	2							
55	1	129948-49620	HOSE ASSY, WATER	1							
56	2	129960-03990	CLAMP, HOSE 19.8	2							

Fig.13. FUEL INJECTION PUMP

(A)=4TNV98T-ZCNLYS
(B)=
(C)=

(D)=
(E)=
(F)=



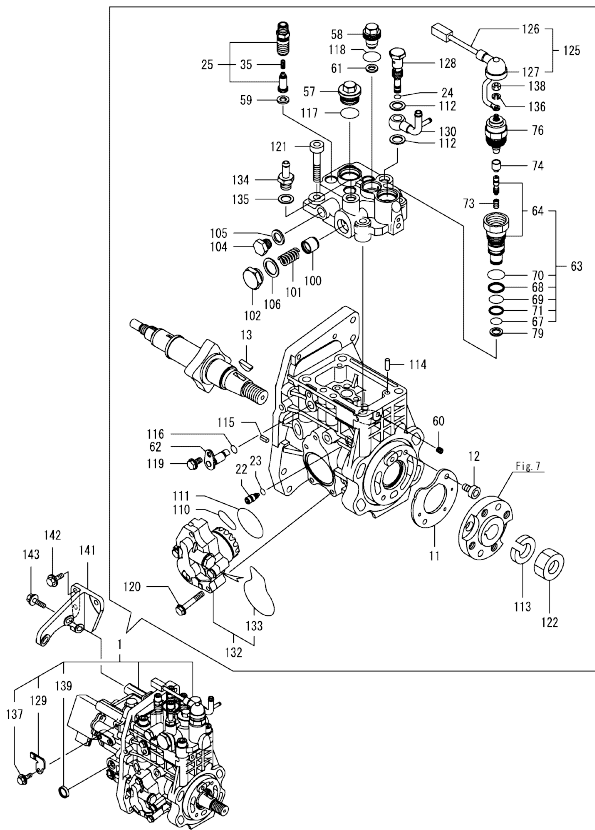
No.	Lev.	Parts No.	Description	Q'ty						I	R
				(A)	(B)	(C)	(D)	(E)	(F)		
1	1	729949-51320	FIE ASSY	1							1
11	2	129928-51900	COVER	1							
12	2	129008-51920	BOLT, SOCKET M6X10	2							
13	2	144626-51090	FEATHER KEY, 5X19	1							
22	2	158600-51270	STOPPER, TAPPET	1							
23	2	158563-51281	O-RING, 4D S6	1							
24	2	158563-51281	O-RING, 4D S6	1							
25	2	129928-51390	VALVE ASSY, DELIVERY	4							
35	3	158563-51330	SPRING, DELIVERY	4							
57	2	158601-51550	PLUG, M22	1							
58	2	129907-51560	PLUG, M16	1							
59	2	158552-51571	GASKET, PLUG	4							
60	2	158557-51570	PLUG, RACK	1							
61	2	129906-51580	GASKET, PLUG	1							
62	2	158552-51580	LIFTER, LINK	1							
63	2	129657-51590	TIMER ASSY	1							
64	3	129657-51600	TIMER ASSY	1							
67	3	158553-51670	O-RING	1							
68	3	119802-51680	RING, BACKUP	1							
69	3	119802-51690	O-RING	1							
70	3	24356-190200	O-RING, 4D19020	1							
71	3	24372-000150	RING, BACK UP T2P15	1							
73	2	119852-51630	SPRING, TIMER	1							
74	2	119852-51640	CAP, TIMER	1							
76	2	119852-51650	VALVE ASSY, SOLENOID	1							
79	2	158553-51680	GASKET, TIMER	1							
100	2	158601-51770	PISTON, ACCUMULATOR	1							
101	2	158552-51781	SPRING, ACCUMULATOR	1							
102	2	158601-51790	PLUG	1							
104	2	158553-51930	PLUG, M12	1							
105	2	22190-120002	WASHER, SEAL 12	1							
106	2	22190-180002	WASHER, SEAL 18	1							
110	2	158552-52311	O-RING	1							
111	2	158552-52400	O-RING, 4E S42	1							
112	2	22190-120002	WASHER, SEAL 12	2							
113	2	22217-180000	WASHER, SPRING 18	1							
114	2	22312-050140	PIN, PARALLEL 5X14	2							
115	2	22351-050010	PIN, SPRING 5.0X10	2							
116	2	24311-000070	O-RING, 1AP7.0	1							
117	2	24356-190200	O-RING, 4D19020	1							
118	2	24356-240210	O-RING, 4D24021	1							
119	2	26106-060102	BOLT, M6X 10 PLATED	1							
120	2	26106-060352	BOLT, M6X 35 PLATED	4							
121	2	26450-100452	BOLT, M10X 45	4							
122	2	26776-180002	NUT, LOCK M18	1							
125	2	129927-51650	HARNES ASSY, WIRE	1							
126	3	129927-51660	HARNES	1							
127	3	129263-77941	CAP, RUBBER	1							
128	2	158601-51650	JOINT, OVER FLOW	1							
129	2	129927-51670	BRACKET	1							
130	2	158552-51670	JOINT, OVER FLOW	1							

Remarks
 (1)Governor(Fig.14) is incorporated in this Fuel Injection Pump(No.1).
 (1)Eco pump
 Make sure to update the engines ECU information when replacing the Eco pump.
 Failing to do so will result in engine malfunction.

Fig.13. FUEL INJECTION PUMP

(A)=4TNV98T-ZCNLYS
(B)=
(C)=

(D)=
(E)=
(F)=



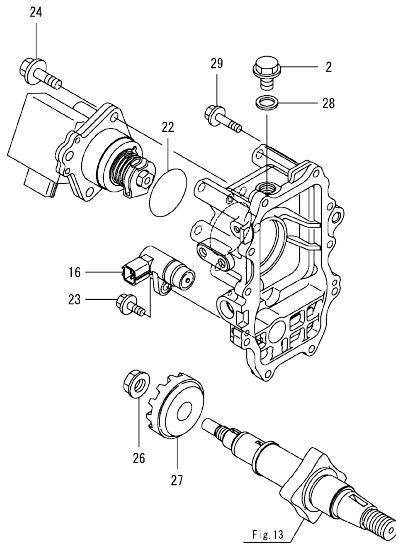
No.	Lev.	Parts No.	Description	Q'ty						I	R
				(A)	(B)	(C)	(D)	(E)	(F)		
132	2	158552-52100	PUMP ASSY, FUEL FEED	1							
133	3	158552-52500	O-RING	1							
134	2	119934-59910	JOINT, PIPE	1							
135	2	22190-120002	WASHER, SEAL 12	1							
136	2	22217-050000	WASHER, SPRING 5	1							
137	2	26106-060122	BOLT, M6X 12 PLATED	1							
138	2	26716-050002	NUT, M5	1							
139	2	27241-160000	PLUG, 16	1							
141	1	129927-51250	RETAINER, PUMP	1							
142	1	26106-080202	BOLT, M8X 20 PLATED	3							
143	1	26106-080302	BOLT, M8X 30 PLATED	3							

Remarks

(1)Governor(Fig.14) is incorporated in this Fuel Injection Pump(No.1).
(1)Eco pump
Make sure to update the engines ECU information when replacing the Eco pump.
Failing to do so will result in engine malfunction.

OCD50-M02640 ENGINE
 Fig.14. GOVERNOR

OCD50-M02640 Fig.14



(A)=4TNV98T-ZCNLYS
 (B)=
 (C)=

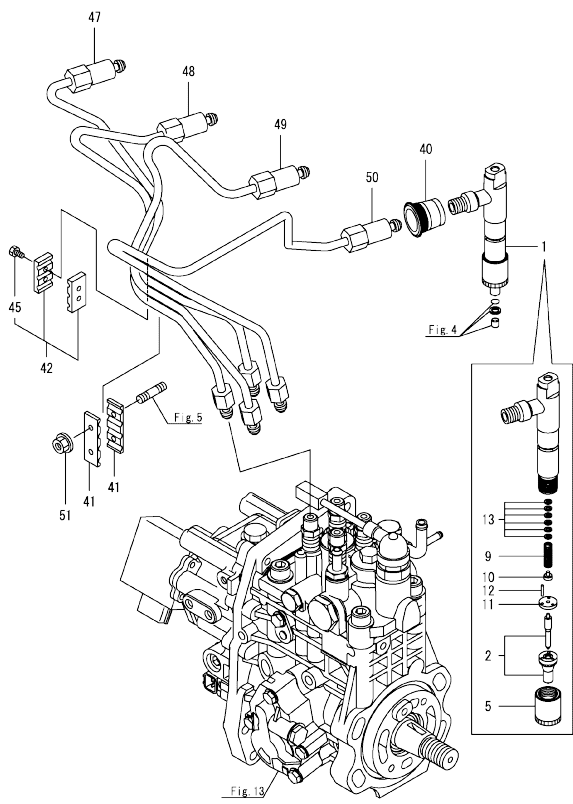
(D)=
 (E)=
 (F)=

No.	Lev.	Parts No.	Description	Q'ty						I	R
				(A)	(B)	(C)	(D)	(E)	(F)		
2	2	158553-51930	PLUG, M12	1							
16	2	158557-61720	SENSOR	1							
22	2	24341-000480	O-RING, 1AS48.0	1							
23	2	26106-060162	BOLT, M6X 16 PLATED	1							
24	2	26106-080252	BOLT, M8X 25 PLATED	3							
26	2	129008-61301	NUT	1							
27	2	158553-61780	GEAR, SENSOR	1							
28	2	22190-120002	WASHER, SEAL 12	1							
29	2	26106-060252	BOLT, M6X 25 PLATED	10							

Remarks
 * This figure(Governor) is incorporated in the Fuel Injection Pump(Fig.13).

N:Old $\frac{100}{100}$ New, Q:Old $\frac{100}{100}$ New, R:Old $\frac{100}{100}$ New, S:Old $\frac{100}{100}$ New, W:Add, Z:Discontinued, F:Interchangeable by set, K:Qty Change
 Copyright (C) 2016 YANMAR GLOBAL CS CO., LTD. All Rights Reserved.

Fig.15. FUEL INJECTION VALVE



(A)=4TNV98T-ZCNLYS
(B)=
(C)=

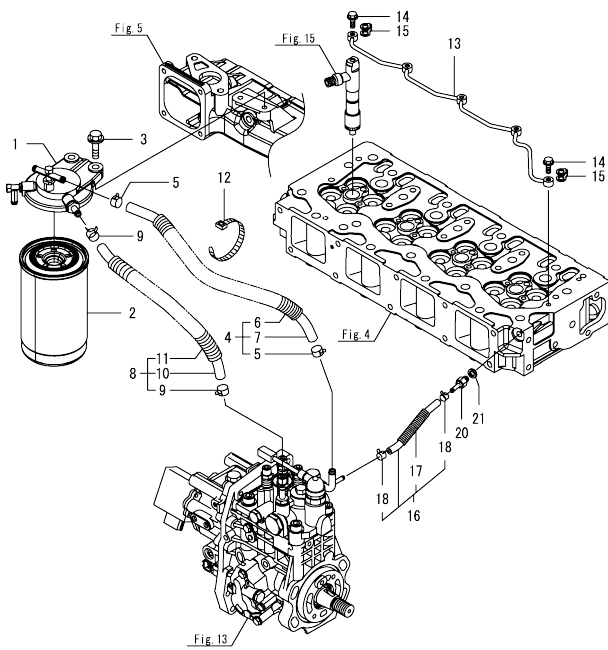
(D)=
(E)=
(F)=

No.	Lev.	Parts No.	Description	Q'ty						I	R
				(A)	(B)	(C)	(D)	(E)	(F)		
1	1	729928-53100	FUEL INJECTOR ASSY	4							
2	2	129928-53000	NOZZLE ASSY, F.I.	4							
5	2	114250-53080	NUT, NOZZLE	4							
9	2	114250-53120	SPRING, NOZZLE	4							
10	2	114250-53130	SEAT, SPRING	4							
11	2	114250-53140	SPACER	4							
12	2	114250-53210	PIN	8							
13	2	119803-53400	SHIM SET	4							1
40	1	123907-11601	SEAL, PIPE	4							
41	1	123472-59120	RETAINER, PIPE	2							
42	1	129150-59120	RETAINER, PIPE	1							
45	2	129150-59131	BOLT, M4X14	2							
47	1	129927-59810	PIPE ASSY, INJECTION	1							
48	1	129927-59820	PIPE ASSY, INJECTION	1							
49	1	129927-59830	PIPE ASSY, INJECTION	1							
50	1	129927-59840	PIPE ASSY, INJECTION	1							
51	1	26366-060002	NUT, M6	2							

Remarks

(1)Spare parts.

Fig.16. FUEL PIPE

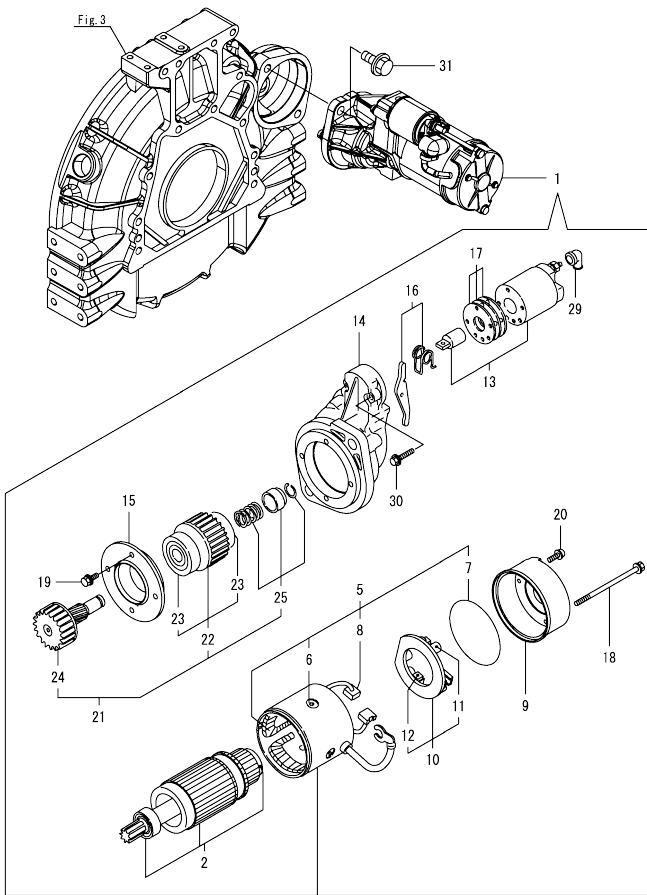


(A)=4TNV98T-ZCNLYS
(B)=
(C)=

(D)=
(E)=
(F)=

No.	Lev.	Parts No.	Description	Q'ty						I	R
				(A)	(B)	(C)	(D)	(E)	(F)		
1	1	129004-55612	BRACKET, FILTER	1							
2	1	129907-55801	FILTER, FUEL	1							
3	1	26106-080302	BOLT, M8X 30 PLATED	2							
4	1	129457-59010	HOSE ASSY, FUEL	1							
5	2	124766-59050	CLAMP, HOSE 11.5	2							
6	2	129957-59120	TUBE, CORRUGATED 15	1							
7	2	105025-59750	HOSE, FUEL	1							
8	1	129961-59310	HOSE ASSY, FUEL	1							
9	2	124766-59050	CLAMP, HOSE 11.5	2							
10	2	129136-59110	HOSE, D13/7.5X270	1							
11	2	129961-59110	TUBE, CORRUGATED 15	1							
12	1	121750-59890	BAND, NYLON	1							
13	1	129907-59140	PIPE ASSY, RETURN	1							
14	1	123907-59540	BOLT, PIPE JOINT M6	5							
15	1	123907-59550	GASKET	5							
16	1	129927-59550	HOSE ASSY, RETURN	1							
17	2	129263-49750	TUBE, CORRUGATED	1							
18	2	124722-59050	CLAMP, HOSE 9	2							
20	1	123907-59560	JOINT, HOSE	1							
21	1	22190-080002	WASHER, SEAL 8	1							

Fig.17. STARTER MOTOR

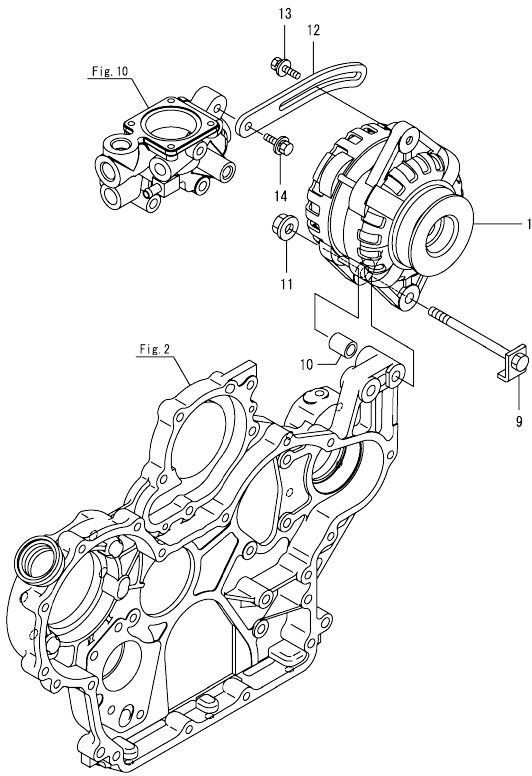


(A)=4TNV98T-ZCNLYS
(B)=
(C)=

(D)=
(E)=
(F)=

No.	Lev.	Parts No.	Description	Q'ty						I	R
				(A)	(B)	(C)	(D)	(E)	(F)		
1	1	129940-77011	STARTER ASSY	1							
2	2	129940-77100	ARMATURE ASSY	1							
5	2	129940-77130	COIL ASSY, FIELD	1							
6	3	129940-77140	SCREW, CORE SET	4							
7	3	129940-77150	O-RING	1							
8	3	129940-77160	BRUSH	2							
9	2	129940-77171	COVER	1							
10	2	129940-77181	HOLDER ASSY, BRUSH	1							
11	3	129940-77190	SPRING, BRUSH	1							
12	3	129940-77200	BRUSH	2							
13	2	129940-77210	SWITCH ASSY, MAGNET	1							
14	2	129940-77221	CASE, GEAR	1							
15	2	129940-77230	RETAINER, BEARING	1							
16	2	129940-77240	LEVER SET	1							
17	2	129940-77250	COVER KIT, DUST	1							
18	2	129940-77260	BOLT, THROUGH	2							
19	2	129940-77270	BOLT	4							
20	2	129940-77280	SCREW	2							
21	2	123900-77510	PINION ASSY	1							
22	3	123900-77520	CLUTCH ASSY	1							
23	4	X2240610100	BEARING, BALL	2							
24	3	123900-77540	SHAFT, PINION	1							
25	3	119131-77550	STOPPER SET, PINION	1							
29	2	121254-77810	COVER, TERMINAL	1							
30	2	114371-79070	BOLT	2							
31	1	26106-120252	BOLT, M12X 25 PLATED	2							

Fig.18. GENERATOR

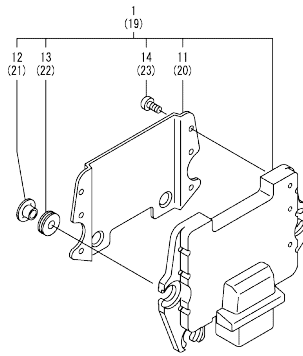


(A)=4TNV98T-ZCNLYS
(B)=
(C)=

(D)=
(E)=
(F)=

No.	Lev.	Parts No.	Description	Q'ty						I	R
				(A)	(B)	(C)	(D)	(E)	(F)		
1	1	129908-77210	ALTERNATOR	1							
9	1	129908-77220	BOLT, STOPPER M10	1							
10	1	129908-77360	PIECE, DISTANCE	1							
11	1	26306-100002	NUT, M10	1							
12	1	129916-77300	ADJUSTER, BELT	1							
13	1	119810-77340	BOLT, ADJUST L=30	1							
14	1	26014-080252	BOLT, M8X 25	1							

Fig.19. ELECTRONIC CONTROL UNIT(ECU)

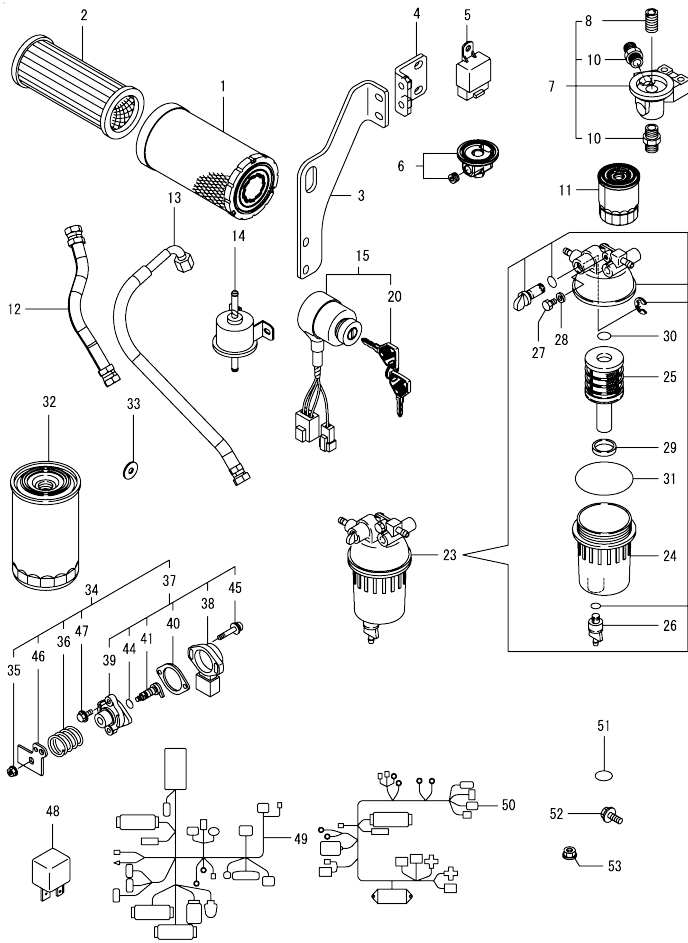


No.	Lev.	Parts No.	Description	Q'ty						I	R
				(A)	(B)	(C)	(D)	(E)	(F)		
1	1	129925-75040	ECU ASSY,4V98T-ZCSLK	1							1
11	2	129927-77600	SHIELD, ECU	1							
12	2	129927-77680	COLLAR, CONTROL	3							
13	2	119578-91351	ABSORBER	3							
14	2	22877-500080	SCREW, 5X 8	6							
19	1	129927-75901	ECU ASSY, SERVICE	1							2
20	2	129927-77600	SHIELD, ECU	1							
21	2	129927-77680	COLLAR, CONTROL	3							
22	2	119578-91351	ABSORBER	3							
23	2	22877-500080	SCREW, 5X 8	6							

Remarks

- (1)Eco ECU
This part cannot be ordered.
- Replace the part using a Service ECU with the proper engine information installed.
- (2)Service ECU
If the proper information is not installed, the engine will not operate.
- To install proper information, go to an authorized distributor.

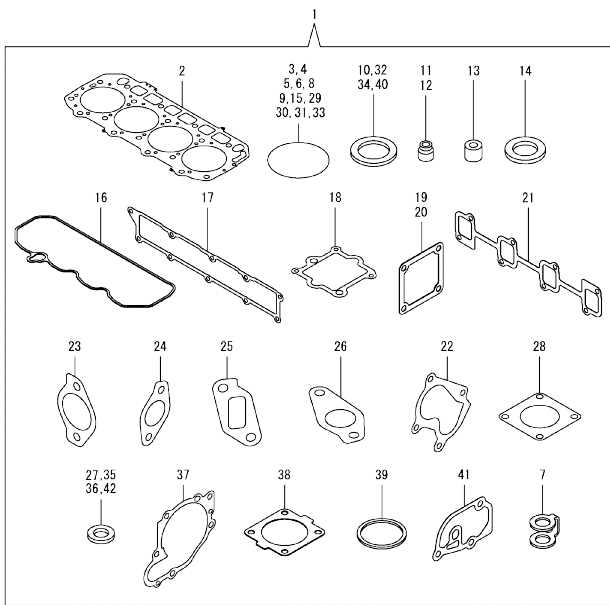
Fig.20. ACCESSORY



No.	Lev.	Parts No.	Description	Q'ty						I	R
				(A)	(B)	(C)	(D)	(E)	(F)		
1	1	129935-12520	ELEMENT, OUTER	1							
2	1	119160-12570	ELEMENT, INNER	1							
3	1	129949-13620	STAY	1							
4	1	129935-13630	STAY, SILENCER	1							
5	1	172B02-17150	RELAY,CA C TYPE	3							
6	1	129238-35111	PLUG	1							
7	1	129E23-35140	BRACKET ASSY	1							
8	2	119000-35140	BOLT, STUD FILTER	1							
10	2	129953-39500	ADAPTER, R-G1/2	2							
10-1	2	129953-39501	ADAPTER	2							N
(A=E173179)											
11	1	119005-35151	FILTER, D80X100	1							
12	1	129925-39100	PIPE, LO	1							
13	1	129925-39110	PIPE, LO	1							
14	1	119225-52102	PUMP, FUEL FEED	1							
15	1	194940-52110	SWITCH, STARTING	1							
15-1	1	129902-77500	SWITCH ASSY, STARTER	1							N
(A=E115397)											
20	2	198360-52160	KEY ASSY, SPARE	1							
23	1	129245-55701	SEPARATOR ASSY,WATER	1							
24	2	129245-55720	CUP ASSY, SEPARATOR	1							
25	2	129242-55730	ELEMENT, FUEL	1							
26	2	129242-55740	PLUG, DRAIN	1							
27	2	129242-55750	VALVE, AIR VENT	1							
28	2	129242-55760	GASKET, PLUG	1							
29	2	129242-55770	FLOAT	1							
30	2	24311-000160	O-RING, 1AP16.0	1							
31	2	24321-000750	O-RING, 1AG75.0	1							
32	1	129907-55801	FILTER, FUEL	1							
33	1	129927-77690	WASHER, ECU	3							
34	1	129938-77800	SENSOR ASSY, ACCEL	1							
35	2	194990-22130	NUT, M6	1							
36	2	119060-61990	SPRING, RETURN	1							
37	2	129054-77800	SENSOR ASSY, ACCEL	1							
38	3	185100-50070	BODY	1							
39	3	129054-77811	SUPPORT, SENSOR	1							
40	3	129054-77820	GASKET	1							
41	3	129054-77830	SHAFT ASSY	1							
44	3	24311-000070	O-RING, 1AP7.0	1							
45	3	26023-040202	SCREW, M4X20	2							
46	2	129938-77810	LEVER, SENSOR	1							
47	2	26106-060122	BOLT, M6X 12 PLATED	2							
48	1	129927-77920	RELAY, ISO 70A	2							
49	1	129927-91040	HARNES, WIRE	1							
50	1	129927-91050	HARNES, WIRE	1							
51	1	24321-000600	O-RING, 1AG60.0	1							
52	1	26106-080202	BOLT, M8X 20 PLATED	2							
53	1	26306-080002	NUT, M8	2							

N:Old $\frac{100}{100}$ New, Q:Old $\frac{100}{100}$ New, R:Old $\frac{100}{100}$ New, S:Old $\frac{100}{100}$ New, W:Add, Z:Discontinued, F:Interchangeable by set, K:Q'ty Change
 Copyright (C) 2016 YANMAR GLOBAL CS CO., LTD. All Rights Reserved.

Fig.21. GASKET SET



(A)=4TNV98T-ZCNLYS
(B)=
(C)=

(D)=
(E)=
(F)=

No.	Lev.	Parts No.	Description	Qty						I	R	
				(A)	(B)	(C)	(D)	(E)	(F)			
1	1	129933-92600	GASKET SET	1							1	
2	2	129907-01331	GASKET, HEAD	1								
3	2	129900-32030	O-RING, P20	2								
4	2	129900-32040	O-RING, P14	1								
5	2	24311-000070	O-RING, 1AP7.0	1								
6	2	24351-030750	O-RING, 1A3075	1								
7	2	123907-59550	GASKET	5								
8	2	24311-000320	O-RING, 1AP32.0	2								
9	2	24321-000850	O-RING, 1AG85.0	1								
10	2	22190-220002	WASHER, SEAL 22	1								
11	2	119803-11340	SEAL, VALVE STEM	8								
12	2	124160-11340	SEAL, VALVE STEM	8								
13	2	119802-11870	PROTECTOR, NOZZLE	4								
14	2	119625-11880	SEAT, NOZZLE	4								
15	2	24311-000120	O-RING, 1AP12.0	8								
16	2	129933-11310	GASKET, BONNET	1								
17	2	129907-12110	GASKET, MANIFOLD	1								
18	2	129928-13720	GASKET	1								
19	2	119129-77020	GASKET	1								
20	2	121850-77021	GASKET, AIR HEATER	1								
21	2	129900-13251	GASKET, EXH.MANIFOLD	1								
22	2	123901-18080	GASKET	1								
23	2	129928-13410	GASKET	2								
24	2	129927-13810	GASKET	1								
25	2	129927-13910	GASKET, EGR	1								
26	2	129927-13920	GASKET, EGR	1								
27	2	124465-44950	GASKET, 16	1								
28	2	129472-18090	GASKET	1								
29	2	24341-000530	O-RING, 1AS53.0	1								
30	2	24321-000600	O-RING, 1AG60.0	1								
31	2	24311-240100	O-RING, 1AP10A	1								
32	2	22190-300002	WASHER, SEAL 30	1								
33	2	24321-000700	O-RING, 1AG70.0	1								
34	2	22190-080002	WASHER, SEAL 8	11								
35	2	23414-100000	GASKET, 10X1.0	2								
36	2	129908-39690	GASKET	1								
37	2	129900-42020	GASKET, WATER PUMP	1								
38	2	121850-49540	GASKET, THERMOSTAT	1								
39	2	121850-49550	GASKET, THERMOSTAT	1								
40	2	22190-120002	WASHER, SEAL 12	1								
41	2	129900-49870	GASKET, THERMOSTAT	1								
42	2	23414-080000	GASKET, 8X1.0	1								

Remarks
(1)Optional parts.

Parts No. Index

Parts No.	Fig. No.	Ref. No.	Parts No.	Fig. No.	Ref. No.	Parts No.	Fig. No.	Ref. No.	Parts No.	Fig. No.	Ref. No.	
105010-39140	10	42	120130-22301	9	21	124465-44950	12	39	129900-01620	3	2	
	11	2	121023-26071	2	21		21	27	129900-01850	2	27	
105025-59750	16	7	121252-39150	11	3	124722-59050	16	18	129900-01870	2	28	
114250-53080	15	5	121254-77810	17	29	124766-59050	16	5	129900-02020	1	6	
114250-53120	15	9	121450-42450	12	38			9	129900-02341	1	33	
114250-53130	15	10	121750-59890	16	12	129004-55612	16	1	129900-02410	1	9	
114250-53140	15	11	121850-21130	9	11	129005-59830	11	13	129900-02931	1	24	
114250-53210	15	12	121850-21290	9	4	129008-51920	13	12	129900-02941	1	36	
114371-79070	17	30	121850-21920	9	5	129008-61301	14	26	129900-13251	6	5	
119000-35140	20	8	121850-49540	12	26	129054-77800	20	37		21	21	
119000-39650	11	33		21	38	129054-77811	20	39	129900-14110	7	6	
119005-35151	10	44	121850-49550	12	28	129054-77820	20	40	129900-14140	2	32	
	20	11		21	39	129054-77830	20	41	129900-21220	9	3	
119005-77051	5	19	121850-49811	12	29	129100-01580	2	1	129900-21600	9	14	
119060-61990	20	36	121850-77021	5	18		3	1	129900-23001	9	23	
119100-11330	4	56		21	20	129122-44480	10	16	129900-23200	9	26	
119129-77020	5	17	123472-59120	15	41	129136-59110	16	10	129900-23601	9	27	
	21	19	123900-25060	7	9	129150-02450	7	4	129900-23611	9	30	
119129-77520	5	20	123900-42471	12	14	129150-11230	4	37	129900-23911	9	29	
119131-18320	8	3	123900-44740	12	16			41	129900-25110	7	10	
119131-77550	17	25	123900-44761	12	17	129150-11750	4	19	129900-26030	7	16	
119140-12680	5	29	123900-77510	17	21			38	129900-26250	2	33	
119160-12530	5	25	123900-77520	17	22			42	129900-32030	2	6	
119160-12540	5	26	123900-77540	17	24	129150-14200	7	1		10	34	
119160-12570	5	27	123901-03240	4	76	129150-25920	7	19		21	3	
	20	2	123901-18080	6	9	129150-59120	15	42	129900-32040	2	7	
119225-52102	20	14		21	22	129150-59131	15	45		21	4	
119260-34810	10	29	123901-39820	11	23	129198-59540	11	2	-1	129900-35000	10	35
119578-91351	19	13	123907-11280	4	34	129238-35111	20	6	129900-42020	12	11	
		22	123907-11550	4	1	129242-55730	20	25		21	37	
119593-11301	4	29	123907-11601	15	40	129242-55740	20	26	129900-49870	12	34	
119620-01750	3	4	123907-11820	4	21	129242-55750	20	27		21	41	
119620-11180	4	14	123907-11830	4	20	129242-55760	20	28	129902-77500	20	15	
119625-11880	4	25	123907-39500	11	11	129242-55770	20	29	129906-51580	13	61	
	21	14	123907-59540	16	14	129245-55701	20	23	129907-01331	1	28	
119640-01640	3	9	123907-59550	16	15	129245-55720	20	24		21	2	
119761-39450	11	1		21	7	129263-49750	16	17	129907-03011	4	51	
119802-11870	4	24	123907-59560	16	20	129263-77941	13	127	129907-03061	4	52	
	21	13	123910-33100	10	3	129410-03990	4	71	129907-03070	4	53	
119802-13791	6	16	123910-39850	11	21	129418-18320	6	3	129907-07900	4	63	
119802-51680	13	68	123912-33050	10	2			4	129907-11110	4	12	
119802-51690	13	69	123951-03300	4	78	129457-59010	16	4	129907-11120	4	13	
119803-11340	4	15	123951-18220	5	14	129466-49300	10	23	129907-11250	4	31	
	21	11	124070-13300	11	18	129472-18090	8	2	129907-11260	4	32	
119803-53400	15	13	124160-01751	2	15			21	129907-11270	4	33	
119810-77340	18	13		4	49	129509-79700	4	57	129907-11341	4	30	
119852-51630	13	73	124160-11340	4	16	129657-51590	13	63	129907-11510	4	17	
119852-51640	13	74		21	12	129657-51600	13	64	129907-11650	4	35	
119852-51650	13	76	124160-11360	4	60	129900-01200	1	27	129907-11660	4	39	
119934-59910	13	134	124223-39900	11	5	129900-01250	1	4	129907-11800	4	83	

Parts No. Index

Parts No.	Fig. No.	Ref. No.	Parts No.	Fig. No.	Ref. No.	Parts No.	Fig. No.	Ref. No.	Parts No.	Fig. No.	Ref. No.
129907-11910	4	26	129927-75901	19	19	129938-77810	20	46	129961-59310	16	8
129907-11920	4	43	129927-77600	19	11	129940-42240	12	15	129972-03220	4	74
129907-11950	4	27			20	129940-77011	17	1	129972-03230	4	75
129907-12110	5	1	129927-77680	19	12	129940-77100	17	2	129972-03240	4	73
	21	17			21	129940-77130	17	5	129974-18210	5	13
129907-14400	7	2	129927-77690	20	33	129940-77140	17	6	129985-11100	4	11
129907-25900	7	15	129927-77920	20	48	129940-77150	17	7	129E00-13640	6	6
129907-51560	13	58	129927-91040	20	49	129940-77160	17	8	129E20-35100	10	5
129907-55801	16	2	129927-91050	20	50	129940-77171	17	9	129E23-35140	20	7
	20	32	129928-01710	3	8	129940-77181	17	10	144626-51090	13	13
129907-59140	16	13	129928-11710	4	2	129940-77190	17	11	158552-51571	13	59
129908-13510	6	7	129928-12060	5	30	129940-77200	17	12	158552-51580	13	62
129908-14590	7	3	129928-12100	5	3	129940-77210	17	13	158552-51670	13	130
129908-21100	9	1	129928-12150	5	2	129940-77221	17	14	158552-51781	13	101
129908-32060	2	4	129928-13100	6	2	129940-77230	17	15	158552-52100	13	132
129908-39410	11	27	129928-13150	6	1	129940-77240	17	16	158552-52311	13	110
129908-39690	11	22	129928-13400	6	13	129940-77250	17	17	158552-52400	13	111
	21	36	129928-13410	6	14	129940-77260	17	18	158552-52500	13	133
129908-77210	18	1			15	129940-77270	17	19	158553-51670	13	67
129908-77220	18	9		21	23	129940-77280	17	20	158553-51680	13	79
129908-77360	18	10	129928-13700	5	4	129944-21650	9	8	158553-51930	13	104
129916-01790	3	7	129928-13710	5	5	129948-03080	4	69		14	2
129916-01800	2	26	129928-13720	5	6	129948-07900	4	64	158553-61780	14	27
129916-21610	9	7		21	18	129948-11300	4	50	158557-51570	13	60
129916-49530	12	25	129928-13900	6	25	129948-13800	6	17	158557-61720	14	16
129916-77300	18	12	129928-18200	5	12	129948-13810	6	19	158563-51150	7	18
129925-39100	20	12	129928-22080	9	15	129948-42110	12	1	158563-51281	13	23
129925-39110	20	13	129928-34850	10	30	129948-49610	12	51		24	
129925-75040	19	1	129928-39450	11	4	129948-49620	12	55	158563-51330	13	35
129927-13810	6	18	129928-49400	12	21	129949-07911	4	65	158600-51270	13	22
	21	24	129928-49410	12	22	129949-12560	5	31	158601-51550	13	57
129927-13910	6	26	129928-49420	12	50	129949-13620	20	3	158601-51650	13	128
	21	25	129928-49800	12	19	129949-33010	10	1	158601-51770	13	100
129927-13920	6	27	129928-51390	13	25	129949-49110	10	17	158601-51790	13	102
	21	26	129928-51900	13	11	129951-01740	2	17	171051-01921	1	5
129927-22050	9	17	129928-53000	15	2	129951-34801	10	28	171056-49120	10	27
129927-39060	11	9	129928-79700	12	40	129953-21570	9	12	172B02-17150	20	5
129927-42140	2	8	129930-39050	10	41	129953-25300	7	14	185100-50070	20	38
129927-44900	12	20	129933-01500	2	3	129953-39500	20	10	194940-52110	20	15
129927-49610	12	42	129933-11310	4	55	129953-39501	20	10	194990-22130	20	35
129927-49620	12	46		21	16	129956-33110	10	4	198360-52160	20	20
129927-51250	13	141	129933-92600	21	1	129956-49190	10	19	22190-080002	10	43
129927-51650	13	125	129935-12500	5	23	129956-49210	10	20		11	6
129927-51660	13	126	129935-12520	5	24	129956-49230	10	22			14
129927-51670	13	129		20	1	129957-59120	16	6			16
129927-59550	16	16	129935-13600	6	8	129960-03990	12	52		16	21
129927-59810	15	47	129935-13630	20	4			56		21	34
129927-59820	15	48	129935-18010	8	1	129960-21930	9	9	22190-120002	12	31
129927-59830	15	49	129935-39610	11	19	129960-21940	9	10		13	105
129927-59840	15	50	129938-77800	20	34	129961-59110	16	11			112

Parts No. Index

Parts No.	Fig. No.	Ref. No.
22190-120002	13	135
	14	28
	21	40
22190-180002	13	106
22190-220002	3	11
	21	10
22190-300002	21	32
22217-050000	13	136
22217-180000	13	113
22252-000300	9	22
22312-050140	13	114
22351-030010	11	34
22351-050010	13	115
22351-060012	1	10
22512-070140	7	7
	9	6
22857-500100	4	58
22877-500080	19	14
		23
23000-022000	4	79
23000-025000	10	24
	11	24
23000-054000	5	15
23000-060000	5	32
23000-070000	5	16 -1
23000-080000	5	16
23000-102000	5	33
23065-160250	4	80
23080-012000	12	45
		49
23414-080000	12	35
	21	42
23414-100000	11	7
	21	35
23857-030000	11	15
23875-030000	12	23
		32
23875-040000	10	13
23876-020000	4	8
23876-030000	1	11
		12
		13
		29
	4	9
23876-040000	10	14
23876-060000	10	15
24311-000070	2	9
	13	116
	20	44
	21	5

Parts No.	Fig. No.	Ref. No.
24311-000120	4	28
		61
	21	15
24311-000160	20	30
24311-000320	2	16
	4	62
	21	8
24311-240100	21	31
24314-000200	10	25
24316-240100	10	31
24321-000600	10	26
	20	51
	21	30
24321-000700	21	33
24321-000750	20	31
24321-000850	2	22
	21	9
24341-000480	14	22
24341-000530	21	29
24351-030750	2	10
	21	6
24356-190200	13	70
		117
24356-240210	13	118
24372-000150	13	71
26013-080222	5	34
		35
26014-080202	6	10
26014-080222	6	11
26014-080252	18	14
26023-040202	20	45
26106-060102	13	119
26106-060122	4	59
	13	137
	20	47
26106-060162	11	25
	14	23
26106-060202	5	7
		8
	12	33
26106-060252	14	29
26106-060302	12	12
26106-060352	13	120
26106-080122	3	12
	10	40
	11	8
		17
		26
	12	36
		41

Parts No.	Fig. No.	Ref. No.
26106-080142	4	82
	7	8
26106-080162	2	11
		29
	4	66
	10	32
26106-080202	2	12
		18
	4	67
		68
	13	142
	20	52
26106-080252	14	24
26106-080302	13	143
	16	3
26106-080352	6	20
26106-080402	2	30
	4	45
	5	21
26106-080452	2	13
		19
	5	10
	6	21
26106-080552	6	22
	7	13
	12	13
26106-080602	4	46
		47
	12	37
26106-080702	2	31
26106-080752	2	20
26106-080802	5	11
26106-080902	5	22
26106-100202	2	23
26106-100252	6	23
26106-100402	6	28
26106-100452	12	18
26106-101052	6	29
26106-120252	17	31
26116-050102	4	77
26206-100352	3	5
26206-100702	3	6
26216-060202	5	9
26216-100302	2	5
26226-080222	4	44
26306-080002	4	48
	6	12
		24
	8	4
	20	53

Parts No.	Fig. No.	Ref. No.
26306-100002	2	14
	18	11
26366-060002	15	51
26450-100452	13	121
26716-050002	13	138
26776-180002	13	122
27241-160000	13	139
27241-300000	1	14
27241-400000	4	10
27310-070001	4	22
729900-02801	1	30
729907-01559	2	24
729927-22950	9	34
729928-01560	1	1
729928-22900	9	32
729928-53100	15	1
729949-51320	13	1
X2240610100	17	23