

0CW10-M42500EN

P R E F A C E

1. This parts catalog is the 1st edition of 4TNV98T-ZGKL, 4TNV98T-ZGKLF for Kohler Ltd.

Pub. No. : 0CW10-J42500

Published : August, 2008

2. Model name

Engine model	Vehicle	Vehicle made by
4TNV98T-ZGKL 4TNV98T-ZGKLF	MARINE GENERATOR	Kohler Ltd.

Directions for the Parts Catalog.

1. This Parts Catalog shows both standard and optional parts.
2. Parts may change without prior notice.
3. The following is an example of the Parts Catalog format.

REF.	LEV.	PARTS NO.	DESCRIPTION	Q'TY						I	R
				(A)	(B)	(C)	(D)	(E)	(F)		
1	1	729595-51390	FUEL INJECTION PUMP	1	1	1	1	1			1
1-1	1	729595-51391	FUEL INJECTION PUMP	1	1	1	1	1		N	1
		(A=E00185) (B=E00200)									
3	2	26022-060162	SCREW M 6X 16	9	9	9	9	9			
3-1	2	26022-060162	SCREW M 6X 16	4	4	4	4	4		K	
		(A=E00156) (B=E00156) (C=E00156) (D=E00156) (E=E00156)									
4	2	129470-51040	CAMSHAFT	1	1	1	1	1			
5	2	122710-51050	BEARING, ROLLER	2	2	2	2	2			
6	2	129470-51060	RETAINER	1	1	1	1	1			

Remarks
(1) BOOST COMPEMSATOR TYPE. OPTIONAL PART, TO E00155,(4JH-DT, 4JH-DTZ

① Ref. No.

The Ref. No. listed may not be in accordance with the illustration Ref. No.

(Ex.) Illustration No.

List Ref No.

1 1 (Before change) → 1-1 (After change)

For interchangeable symbols N, R and K, illustrations for new parts may be abbreviated.

② Lev. (Level)

Level indication

The numbers below indicate the level of relativity towards the main part.

1 ---- Main parts (Assembly parts)

2 ---- Sub component included in " 1 ".

3 ---- Sub component included in " 2 ".

Note) Parts that are not for sale are partially illustrated but not listed.

③ Interchangeability Symbol

When a part change takes place, one of the following interchangeability symbols is indicated beside the part.

Symbol	Interchangeability	Contents note
N	Old $\begin{matrix} \leftarrow \text{Yes} \\ \text{No} \rightarrow \end{matrix}$ New	New Part is interchangeable for Old Part but Old Part is not interchangeable for New Part.
Q	Old $\begin{matrix} \leftarrow \text{No} \\ \text{Yes} \rightarrow \end{matrix}$ New	New Part is not interchangeable for Old Part but Old Part is interchangeable for New Part.
R	Old $\begin{matrix} \leftarrow \text{Yes} \\ \text{Yes} \rightarrow \end{matrix}$ New	New/ Old Parts are both interchangeable.
S	Old $\begin{matrix} \leftarrow \text{No} \\ \text{No} \rightarrow \end{matrix}$ New	New/ Old Parts are both not interchangeable.
W		Part newly added.
Z		Part discontinued.
F		Not interchangeable by a single part but interchangeable together with related parts.
K		Changes only for used parts quantities.

④ Effective Machine No.

When a part changes, the effective Machine No. will be indicated in the (A)-(F) column.

Product Symbol	Product No.	Product Symbol	Product No.
C	Clutch No. Compressor No.	F	Machine No. (Agricultural Equip.)
D	Drive No.	M	Machine No.
E	Engine No.		

Note 1) A date may follow the symbol. (Ex.) 1996.01

Note 2) "XXXXX" and "ZZZZZ" are for parts that could not be predicted or for engine models that could not be identified.

Note 3) (A=E00185) is the E (Engine Serial Number) for the column (A) model (in this case 4JH-DT) after the parts design change.

⑤ Remarks

Figures or alphabets (symbols) are entered in the remarks column.

The comments (remarks) on parts that are indicated at the bottom of the illustration are the same symbols as those stated above.

Contents

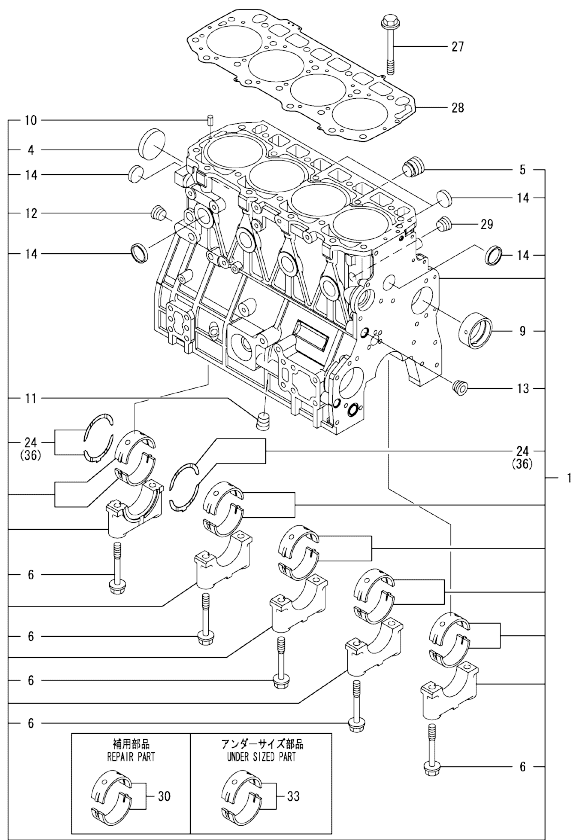
0CW10-M42500

Fig. No.	Fig. Name	Fig. No.	Fig. Name
4	TNV98T-ZGKL		
1.	CYLINDER BLOCK		
2.	GEAR HOUSING		
3.	FLYWHEEL HOUSING & OIL SUMP		
4.	CYLINDER HEAD & BONNET		
5.	SUCTION MANIFOLD		
6.	EXHAUST MANIFOLD		
7.	CAMSHAFT & DRIVING GEAR		
8.	TURBINE		
9.	CRANKSHAFT & PISTON		
10.	LUB.OIL SYSTEM		
11.	LUB.OIL LINE		
12.	COOLING WATER SYSTEM		
13.	FUEL INJECTION PUMP		
14.	GOVERNOR		
15.	FUEL INJECTION VALVE		
16.	FUEL LINE		
17.	STARTING MOTOR		
20.	(17A)STARTING MOTOR		
18.	ELECTRONIC CONTROL UNIT (ECU)		
19.	GASKET SET		

Fig.1. CYLINDER BLOCK

(A)=4TNV98T-ZGKL
(B)=4TNV98T-ZGKLF
(C)=

(D)=
(E)=
(F)=

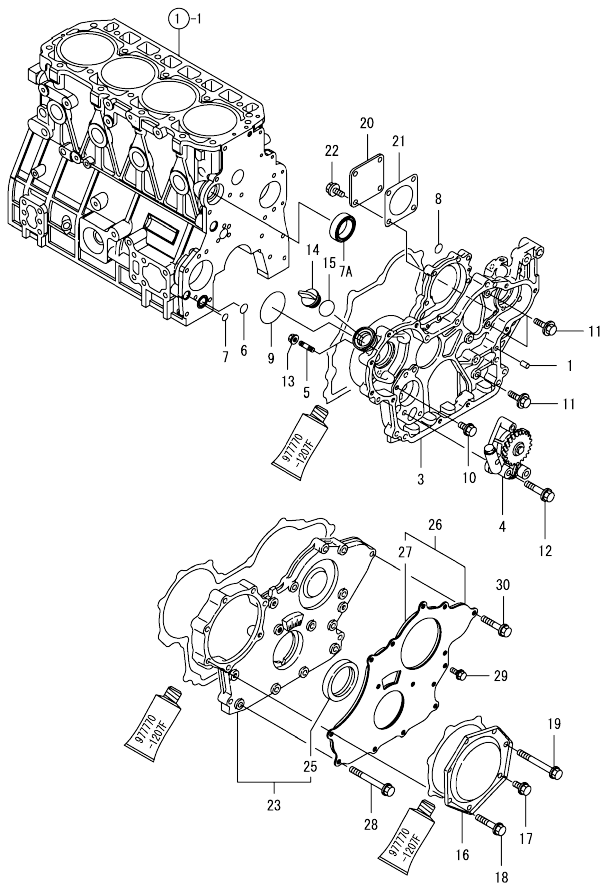


No.	Lev.	Parts No.	Description	Q'ty						I	R
				(A)	(B)	(C)	(D)	(E)	(F)		
1	1	729928-01560	BLOCK ASSY, CYLINDER	1	1						
4	2	129900-01250	PLUG, DISH TYPE 55	1	1						
5	2	171051-01921	PLUG, NPTF1	1	1						
6	2	129900-02020	BOLT, METAL CAP	10	10						
9	2	129900-02410	BUSH, CAMSHAFT	1	1						
10	2	22351-060012	PIN, SPRING 6.0X12	2	2						
11	2	23876-030000	PLUG, R03	1	1						
12	2	23876-030000	PLUG, R03	1	1						
13	2	23876-030000	PLUG, R03	1	1						
14	2	27241-300000	PLUG 30	8	8						
24	2	129900-02931	BEARING ASSY, THRUST	2	2						
27	1	129900-01200	BOLT, CYLINDER HEAD	18	18						
28	1	129907-01331	GASKET, HEAD	1	1						
29	1	23876-030000	PLUG, R03	1	1						
30	1	729900-02801	BEARING, MAIN	5	5						1
33	1	129900-02341	BEARING ASSY, MAIN	5	5						2
36	1	129900-02941	BEARING, THRUST 0.25	2	2						3

Remarks

- (1) REPAIR PART.
- (2) UNDER-SIZED(U.S=0.25)PART.
- (3) OVER-SIZED(O.S=0.25)PART.

Fig.2. GEAR HOUSING

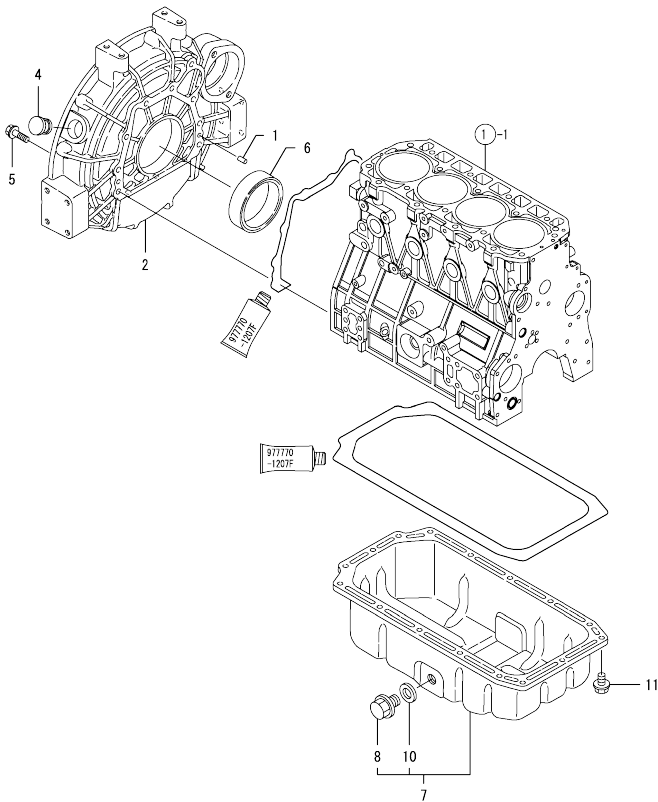


(A)=4TNV98T-ZGKL
(B)=4TNV98T-ZGKLF
(C)=

(D)=
(E)=
(F)=

No.	Lev.	Parts No.	Description	Qty						I	R
				(A)	(B)	(C)	(D)	(E)	(F)		
1	1	129100-01580	PIN, PARALLEL 8X16	4	4						
3	1	129908-01500	CASE, GEAR	1	1						
4	1	129908-32060	PUMP ASSY, OIL	1	1						
5	1	26216-100302	STUD, M10X 30	4	4						
6	1	129900-32030	O-RING, P20	1	1						
7	1	129900-32040	O-RING, P14	1	1						
7A	1	129927-42140	GASKET, PUMP OUTLET	1	1						W
(A=ET4312)											
8	1	24311-000070	O-RING, 1AP7.0	1	1						
9	1	24351-030750	O-RING, 1A3075	1	1						
10	1	26106-080162	BOLT, M8X 16 PLATED	1	1						
11	1	26106-080202	BOLT, M8X 20 PLATED	3	3						
12	1	26106-080452	BOLT, M8X 45 PLATED	3	3						
13	1	26306-100002	NUT, M10	4	4						
14	1	124160-01751	CAP, FILLER	1	1						
15	1	24311-000320	O-RING, 1AP32.0	1	1						
16	1	129900-01740	COVER	1	1						
17	1	26106-080162	BOLT, M8X 16 PLATED	1	1						
18	1	26106-080402	BOLT, M8X 40 PLATED	5	5						
19	1	129001-91810	BOLT, M8X70	1	1						
20	1	124240-01871	COVER, PUMP	1	1						
21	1	124240-01883	GASKET	1	1						
22	1	26106-080162	BOLT, M8X 16 PLATED	4	4						
23	1	729907-01559	COVER ASSY,GEAR CASE	1	1						
25	2	129916-01800	SEAL, OIL	1	1						
26	1	129900-01850	COVER ASSY,GEAR CASE	1	1						
27	2	129900-01870	SPONGE, GEAR CASE	1	1						
28	1	129001-91810	BOLT, M8X70	6	6						
29	1	26106-080162	BOLT, M8X 16 PLATED	3	3						
30	1	26106-080402	BOLT, M8X 40 PLATED	5	5						

Fig.3. FLYWHEEL HOUSING & OIL SUMP

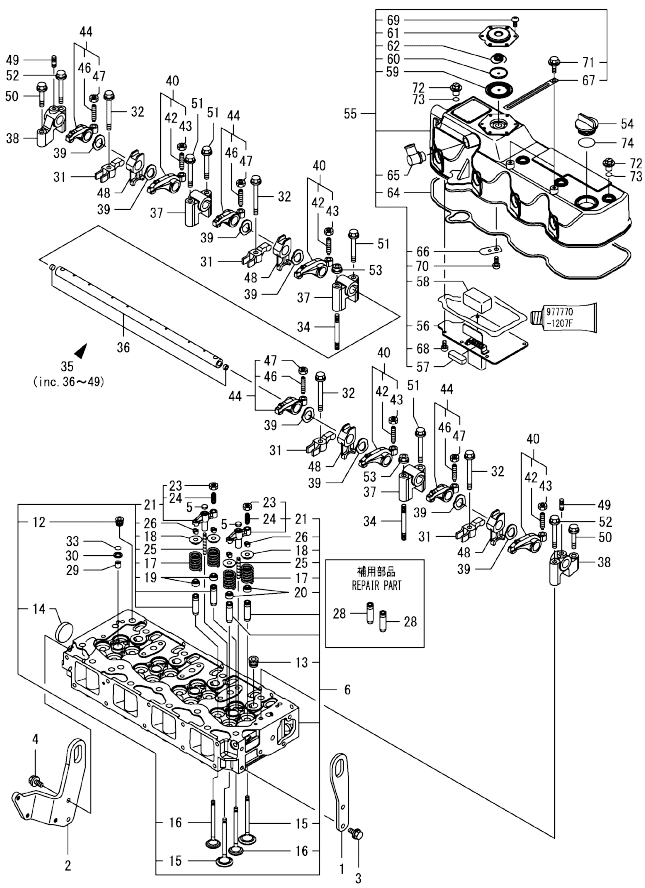


(A)=4TNV98T-ZGKL
(B)=4TNV98T-ZGKLF
(C)=

(D)=
(E)=
(F)=

No.	Lev.	Parts No.	Description	Q'ty					
				(A)	(B)	(C)	(D)	(E)	(F)
1	1	129100-01580	PIN, PARALLEL 8X16	2	2				
2	1	129951-01620	HOUSING, FLYWHEEL	1	1				
4	1	119000-01840	PLUG, RUBBER	1	1				
5	1	26206-100352	BOLT, M10X 35 PLATED	9	9				
6	1	129916-01790	SEAL, D115/95XT11	1	1				
7	1	129902-01710	OIL PAN ASSY	1	1				
8	2	119640-01640	PLUG, DRAIN M22	1	1				
10	2	22190-220002	WASHER, SEAL 22	1	1				
11	1	26106-080122	BOLT, M8X 12 PLATED	16	16				

Fig.4. CYLINDER HEAD & BONNET



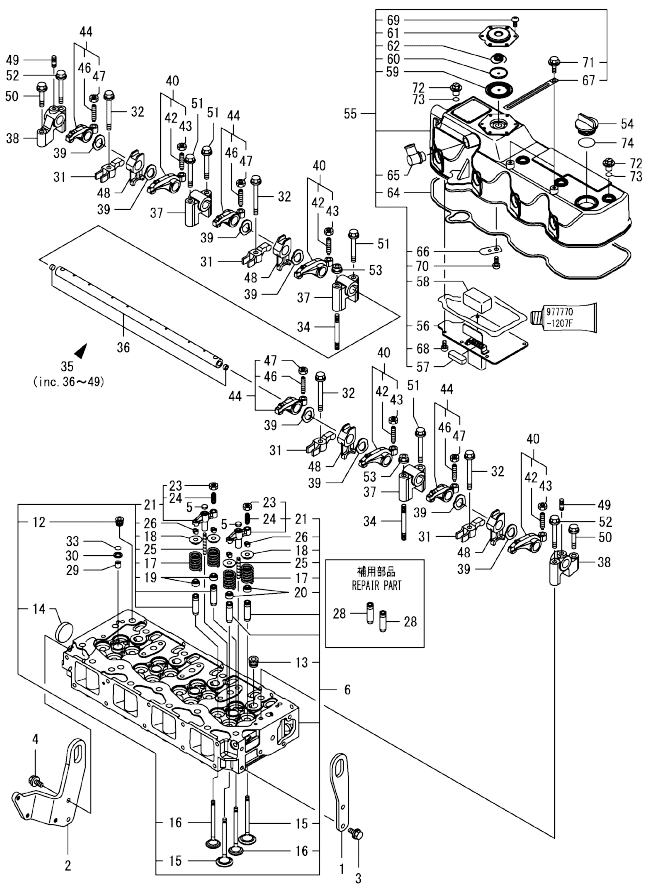
(A)=4TNV98T-ZGKL
(B)=4TNV98T-ZGKLF
(C)=

(D)=
(E)=
(F)=

No.	Lev.	Parts No.	Description	Q'ty						I	R
				(A)	(B)	(C)	(D)	(E)	(F)		
1	1	129907-07900	LIFTER, ENGINE	1	1						
2	1	129948-07900	LIFTER, ENGINE	1	1						
3	1	26106-080162	BOLT, M8X 16 PLATED	2	2						
4	1	26106-080202	BOLT, M8X 20 PLATED	2	2						
5	1	123907-11550	SEAT, VALVE BRIDGE	8	8						
6	1	129928-11700	HEAD ASSY, CYLINDER	1	1						
12	2	23876-020000	PLUG, R02	1	1						
13	2	23876-030000	PLUG, R03	4	4						
14	2	27241-400000	PLUG, 40	1	1						
15	2	129907-11100	VALVE, SUCTION	8	8						
16	2	129907-11110	VALVE, EXHAUST	8	8						
17	2	129907-11120	SPRING, VALVE	16	16						
18	2	119620-11180	RETAINER, SPRING	16	16						
19	2	119803-11340	SEAL, VALVE STEM	8	8						
20	2	124160-11340	SEAL, VALVE STEM	8	8						
21	2	129907-11510	BRIDGE ASSY, VALVE	8	8						
23	3	129150-11750	NUT, M8	8	8						
24	3	123907-11830	ADJUSTER	8	8						
25	2	123907-11820	GUIDE, BRIDGE	8	8						
26	2	27310-070001	COTTER, 7	16	16						
28	1	129907-11800	GUIDE, VALVE	16	16						1
29	1	119802-11870	PROTECTOR, NOZZLE	4	4						
30	1	119625-11880	SEAT, NOZZLE	4	4						
31	1	129907-11910	RETAINER, NOZZLE	4	4						
32	1	129907-11950	BOLT, M8X75	4	4						
33	1	24311-000120	O-RING, 1AP12.0	4	4						
34	1	119593-11301	BOLT, STUD M8X80	2	2						
35	1	129907-11341	SHAFT ASSY, ROCKER	1	1						
36	2	129907-11250	SHAFT, ROCKER ARM	1	1						
37	2	129907-11260	SUPPORT, ROCKER ARM	3	3						
38	2	129907-11270	SUPPORT, ROCKER ARM	2	2						
39	2	123907-11280	WASHER	8	8						
40	2	129907-11650	ARM ASSY, ROCKER	4	4						
42	3	129150-11230	SCREW, VALVE ADJUST	4	4						
43	3	129150-11750	NUT, M8	4	4						
44	2	129907-11660	ARM ASSY, ROCKER	4	4						
46	3	129150-11230	SCREW, VALVE ADJUST	4	4						
47	3	129150-11750	NUT, M8	4	4						
48	2	129907-11920	RETAINER, NOZZLE	4	4						
49	2	26226-080222	STUD, M8X 22	2	2						
50	1	26106-080402	BOLT, M8X 40 PLATED	2	2						
51	1	26106-080602	BOLT, M8X 60 PLATED	4	4						
52	1	26106-080602	BOLT, M8X 60 PLATED	2	2						
53	1	26306-080002	NUT, M8	2	2						
54	1	124160-01751	CAP, FILLER	1	1						
55	1	129945-11320	BONNET ASSY, HEAD	1	1						
56	2	129907-03011	PLATE, BAFFLE	1	1						
57	2	129907-03061	BAFFLE, BREATHER	1	1						
58	2	129907-03070	BAFFLE, BREATHER	1	1						
59	2	123907-03100	DIAPHRAGM	1	1						
60	2	123907-03110	PLATE	1	1						

Remarks
(1) REPAIR PART.

Fig.4. CYLINDER HEAD & BONNET



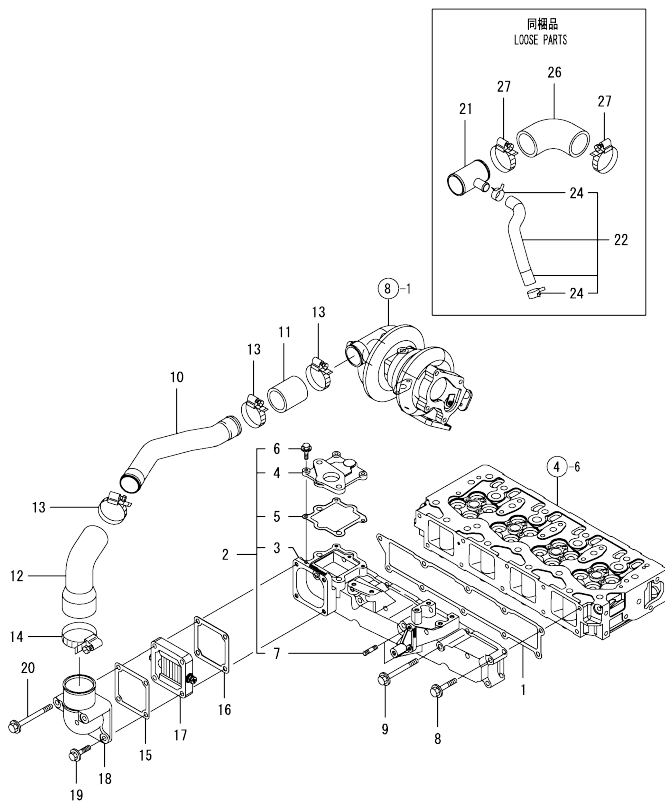
(A)=4TNV98T-ZGKL
(B)=4TNV98T-ZGKLF
(C)=

(D)=
(E)=
(F)=

No.	Lev.	Parts No.	Description	Q'ty					
				(A)	(B)	(C)	(D)	(E)	(F)
61	2	123907-03120	PLATE, BREATHER	1	1				
62	2	123907-03140	SPRING, DIAPHRAGM	1	1				
64	2	129933-11310	GASKET, BONNET	1	1				
65	2	119100-11330	ELBOW, BREATHER	1	1				
66	2	129009-11340	SPRING, PLATE	1	1				
67	2	129509-79700	CLAMP, 140-M6	2	2				
68	2	22857-500100	SCREW, 5X10	6	6				
69	2	22857-500100	SCREW, 5X10	6	6				
70	2	22857-500100	SCREW, 5X10	1	1				
71	2	26106-060122	BOLT, M6X 12 PLATED	2	2				
72	1	124160-11360	KNOB	4	4				
73	1	24311-000120	O-RING, 1AP12.0	4	4				
74	1	24311-000320	O-RING, 1AP32.0	1	1				

Remarks
(1) REPAIR PART.

Fig.5. SUCTION MANIFOLD

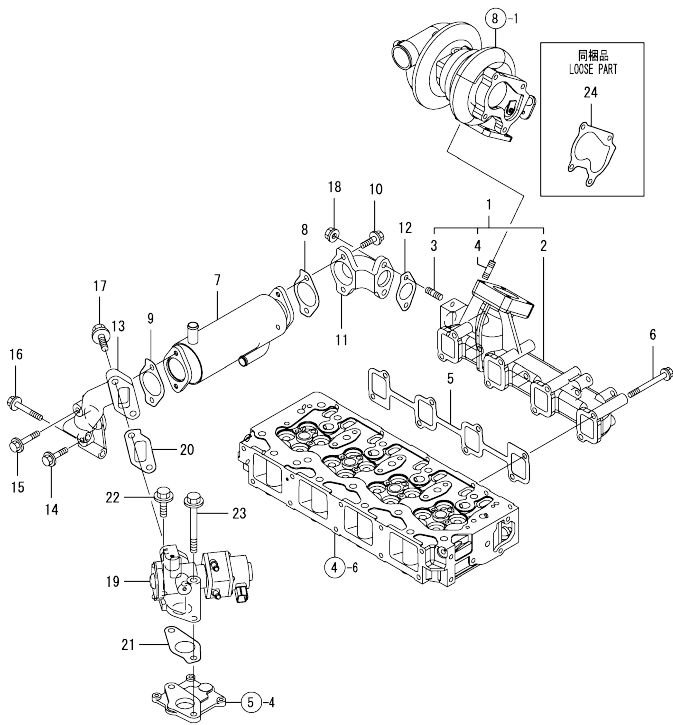


(A)=4TNV98T-ZGKL
(B)=4TNV98T-ZGKLF
(C)=

(D)=
(E)=
(F)=

No.	Lev.	Parts No.	Description	Q'ty						I	R
				(A)	(B)	(C)	(D)	(E)	(F)		
1	1	129907-12110	GASKET, MANIFOLD	1	1						
2	1	129945-12150	MANIFOLD ASSY,INTAKE	1	1						
3	2	129928-12100	MANIFOLD, AIR INTAKE	1	1						
4	2	129928-13710	SPACER, EGR VALVE	1	1						
5	2	129928-13720	GASKET	1	1						
6	2	26106-060202	BOLT, M6X 20 PLATED	3	3						
7	2	26216-060202	STUD, M6X 20	2	2						
8	1	26106-080452	BOLT, M8X 45 PLATED	6	6						
9	1	26106-080802	BOLT, M8X 80 PLATED	4	4						
10	1	129928-18200	DUCT, AIR	1	1						
11	1	129945-18210	JOINT, RUBBER	1	1						
12	1	129945-18220	JOINT, RUBBER	1	1						
13	1	23000-054000	CLAMP, 54	3	3						
14	1	23000-080000	CLAMP, 80	1	1						
14-1	1	23000-070000	CLAMP, 70	1	1						N
15	1	119129-77020	GASKET	1	1						
16	1	121850-77021	GASKET, AIR HEATER	1	1						
17	1	119005-77051	HEATER, AIR	1	1						
18	1	119129-77520	BEND	1	1						
19	1	26106-080402	BOLT, M8X 40 PLATED	2	2						
20	1	26106-080902	BOLT, M8X 90 PLATED	2	2						
21	1	129509-03050	JOINT, BREATHER	1	1						
22	1	129945-03080	HOSE ASSY, BREATHER	1	1						
24	2	129410-03990	CLAMP, HOSE 21.5	2	2						
26	1	129509-12070	HOSE, AIR INTAKE	1	1						
27	1	23000-070000	CLAMP, 70	2	2						

Fig.6. EXHAUST MANIFOLD

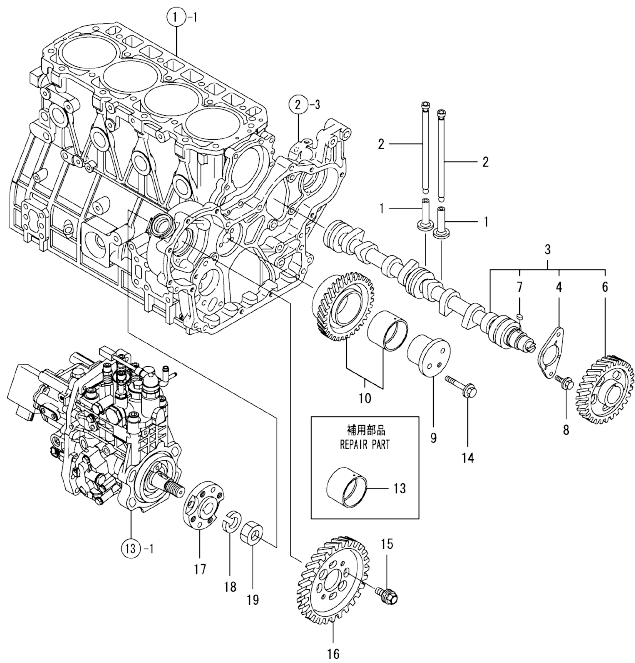


(A)=4TNV98T-ZGKL
(B)=4TNV98T-ZGKLF
(C)=

(D)=
(E)=
(F)=

No.	Lev.	Parts No.	Description	Q'ty						I	R
				(A)	(B)	(C)	(D)	(E)	(F)		
1	1	129928-13150	MANIFOLD ASSY, EXH.	1	1						
2	2	129928-13100	MANIFOLD, EXHAUST	1	1						
3	2	129418-18320	BOLT, STUD M8X20	2	2						
4	2	129418-18320	BOLT, STUD M8X20	4	4						
5	1	129900-13251	GASKET, EXH.MANIFOLD	1	1						
6	1	123900-13630	BOLT, M8X80	8	8						
7	1	129928-13400	COOLER ASSY, EGR	1	1						
8	1	129928-13410	GASKET	1	1						
9	1	129928-13410	GASKET	1	1						
10	1	119802-13790	BOLT, M8X25 10.9T	2	2						
11	1	129948-13800	PIPE, EGR IN	1	1						
12	1	129927-13810	GASKET	1	1						
13	1	129948-13810	PIPE, EGR IN	1	1						
14	1	26106-080352	BOLT, M8X 35 PLATED	1	1						
15	1	26106-080452	BOLT, M8X 45 PLATED	1	1						
16	1	26106-080552	BOLT, M8X 55 PLATED	2	2						
17	1	26106-100252	BOLT, M10X 25 PLATED	2	2						
18	1	26306-080002	NUT, M8	2	2						
19	1	129927-13900	VALVE, EGR	1	1						
20	1	129927-13910	GASKET, EGR	1	1						
21	1	129927-13920	GASKET, EGR	1	1						
22	1	26106-100402	BOLT, M10X 40 PLATED	1	1						
23	1	26106-101052	BOLT, M10X105 PLATED	1	1						
24	1	123901-18080	GASKET	1	1						

Fig.7. CAMSHAFT & DRIVING GEAR



(A)=4TNV98T-ZGKL
(B)=4TNV98T-ZGKLF
(C)=

(D)=
(E)=
(F)=

No.	Lev.	Parts No.	Description	Q'ty						I	R
				(A)	(B)	(C)	(D)	(E)	(F)		
1	1	129150-14200	TAPPET	8	8						
2	1	129907-14400	PUSH-ROD	8	8						
3	1	129908-14581	CAMSHAFT ASSY	1	1						
4	2	129150-02450	BEARING, THRUST	1	1						
6	2	129900-14100	GEAR, CAMSHAFT	1	1						
7	2	22512-070140	KEY, 7X 14	1	1						
8	1	26106-080162	BOLT, M8X 16 PLATED	2	2						
9	1	123900-25060	SHAFT, IDLE GEAR	1	1						
10	1	129900-25100	GEAR ASSY, IDLE	1	1						
13	1	129150-25920	BUSH, IDLE GEAR	1	1						1
14	1	26106-080552	BOLT, M8X 55 PLATED	3	3						
15	1	129953-25300	BOLT	4	4						
16	1	129907-25900	GEAR, PUMP	1	1						
17	1	158563-51150	FLANGE	1	1						
18	1	22217-180000	WASHER, SPRING 18	1	1						
19	1	26776-180002	NUT, LOCK M18	1	1						

Remarks
(1) REPAIR PART.

Fig.8. TURBINE

(A)=4TNV98T-ZGKL
 (B)=4TNV98T-ZGKLF
 (C)=

(D)=
 (E)=
 (F)=

No.	Lev.	Parts No.	Description	Q'ty					
				(A)	(B)	(C)	(D)	(E)	(F)
1	1	129945-18010	TURBOCHARGER, RHF5	1	1				
2	1	129472-18090	GASKET	1	1				
3	1	119131-18320	BOLT, STUD M8X22	4	4				
4	1	26306-080002	NUT, M8	4	4				

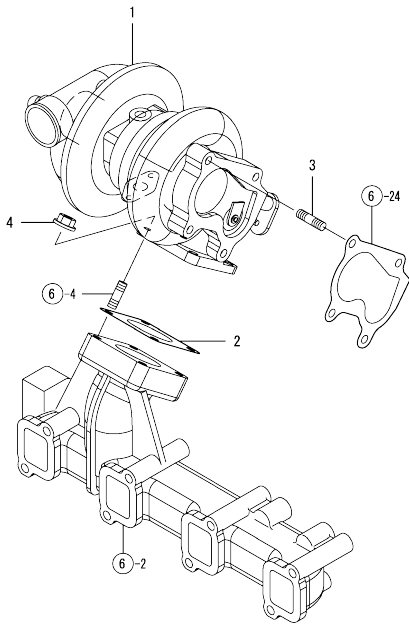
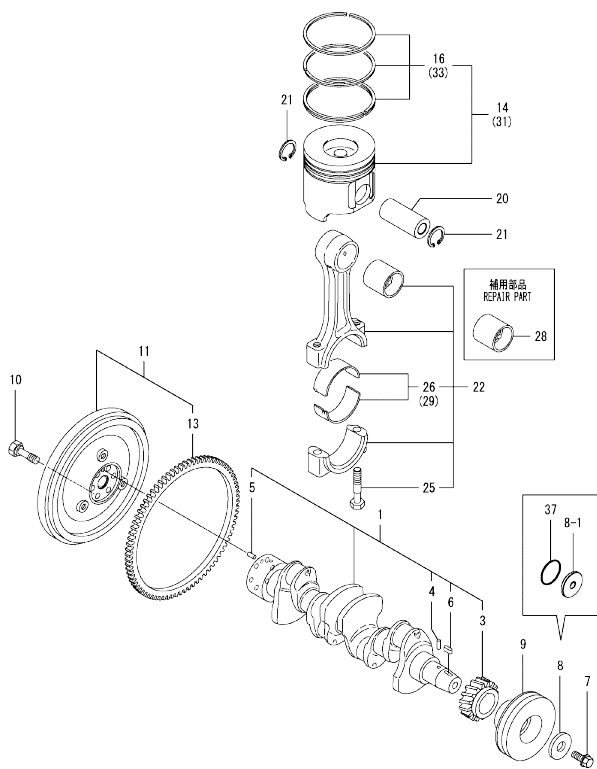


Fig.9. CRANKSHAFT & PISTON



(A)=4TNV98T-ZGKL
(B)=4TNV98T-ZGKLF
(C)=

(D)=
(E)=
(F)=

No.	Lev.	Parts No.	Description	Q'ty						I	R
				(A)	(B)	(C)	(D)	(E)	(F)		
1	1	129908-21000	CRANKSHAFT ASSY	1	1						
3	2	129900-21200	GEAR, CRANKSHAFT	1	1						
4	2	121850-21290	PIN	1	1						
5	2	121850-21920	PIN, PARALLEL 10X22	1	1						
6	2	22512-070140	KEY, 7X 14	1	1						
7	1	129916-21610	BOLT	1	1						
8	1	129900-21640	WASHER	1	1						
8-1	1	129960-21940 (A=2018.08) (B=2018.08)	WASHER, V-PULLEY	1	1						N
9	1	129907-21660	V-PULLEY, CRANK 130	1	1						
10	1	121850-21130	BOLT, FLYWHEEL	6	6						
11	1	129902-21580	FLYWHEEL ASSY	1	1						
13	2	127410-21480	GEAR, RING Z=129	1	1						
14	1	129928-22080	PISTON ASSY	4	4						
16	2	129927-22050	RING SET, PISTON	4	4						
20	1	120130-22301	PIN, PISTON	4	4						
21	1	22252-000300	RING, 30	8	8						
22	1	129900-23001	ROD ASSY, CONNECTING	4	4						
25	2	129900-23200	BOLT, CONNECTING ROD	8	8						
26	2	129900-23601	BEARING, CRANK PIN	4	4						
28	1	129900-23911	BEARING, PISTON PIN	4	4						1
29	1	129900-23611	BEARING ASSY, 0.25US	4	4						2
31	1	729928-22900	PISTON ASSY, 0.25 OS	4	4						3
33	2	729927-22950	RING SET, 0.25 OS	4	4						3
37	1	129960-21930 (A=2018.08) (B=2018.08)	GASKET, WASHER	1	1						W

Remarks
(1) REPAIR PART.
(2) UNDER-SIZED(U.S=0.25)PART.
(3) OVER-SIZED(O.S=0.25)PART.

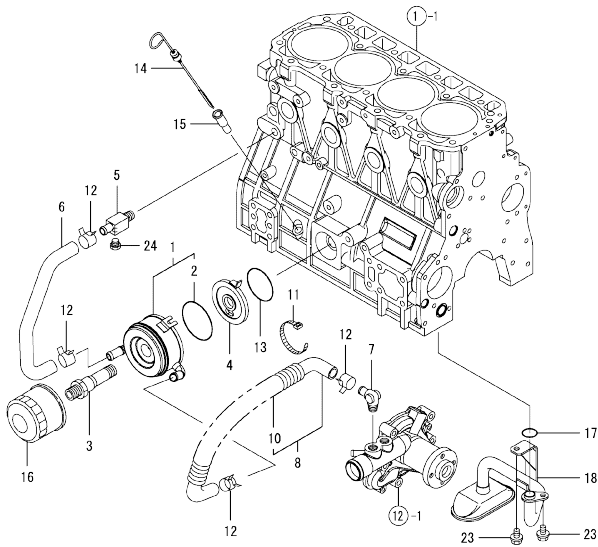
0CW10-M42500 4TNV98T-ZGKL
 Fig.10. LUB.OIL SYSTEM

0CW10-M42500 Fig.10

(A)=4TNV98T-ZGKL
 (B)=4TNV98T-ZGKLF
 (C)=

(D)=
 (E)=
 (F)=

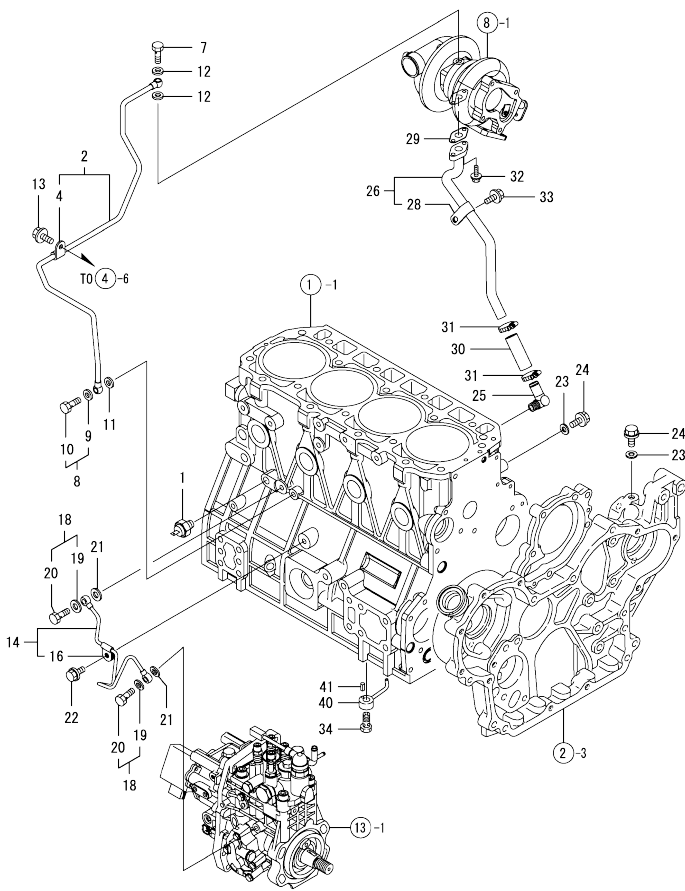
No.	Lev.	Parts No.	Description	Q'ty						
				(A)	(B)	(C)	(D)	(E)	(F)	
1	1	129908-33010	COOLER ASSY, OIL	1	1					
2	2	123912-33050	O-RING	1	1					
3	1	123912-33100	BOLT, COOLER	1	1					
4	1	129908-33101	BRACKET, OIL COOLER	1	1					
5	1	129006-44480	JOINT	1	1					
6	1	129908-49060	HOSE, WATER	1	1					
7	1	129466-49300	ELBOW, PT3/8	1	1					
8	1	123910-49600	HOSE ASSY WATER	1	1					
10	2	123910-49610	TUBE, CORRUGATED	1	1					
11	1	121750-59890	BAND, NYLON	1	1					
12	1	23000-025000	CLAMP, 25	4	4					
13	1	24321-000600	O-RING, 1AG60.0	1	1					
14	1	129900-34800	DIPSTICK	1	1					
15	1	121520-34810	GUIDE, DIPSTICK	1	1					
16	1	129150-35170	FILTER,LO	1	1					
17	1	129900-32030	O-RING, P20	1	1					
18	1	129900-35000	PIPE ASSY, OIL INLET	1	1					
23	1	26106-080122	BOLT, M8X 12 PLATED	2	2					
24	1	171056-49120	PLUG, DRAIN R/4	1	1					



Remarks
 (1) REPAIR PART.

N:Old $\frac{New}{Old}$ New. Q:Old $\frac{New}{Old}$ New. R:Old $\frac{New}{Old}$ New. S:Old $\frac{New}{Old}$ New. W:Add. Z:Discontinued. F:Interchangeable by set. K:Q'ty Change
 Copyright (C) YANMAR GLOBAL CS CO., LTD. All Rights Reserved.

Fig.11. LUB.OIL LINE

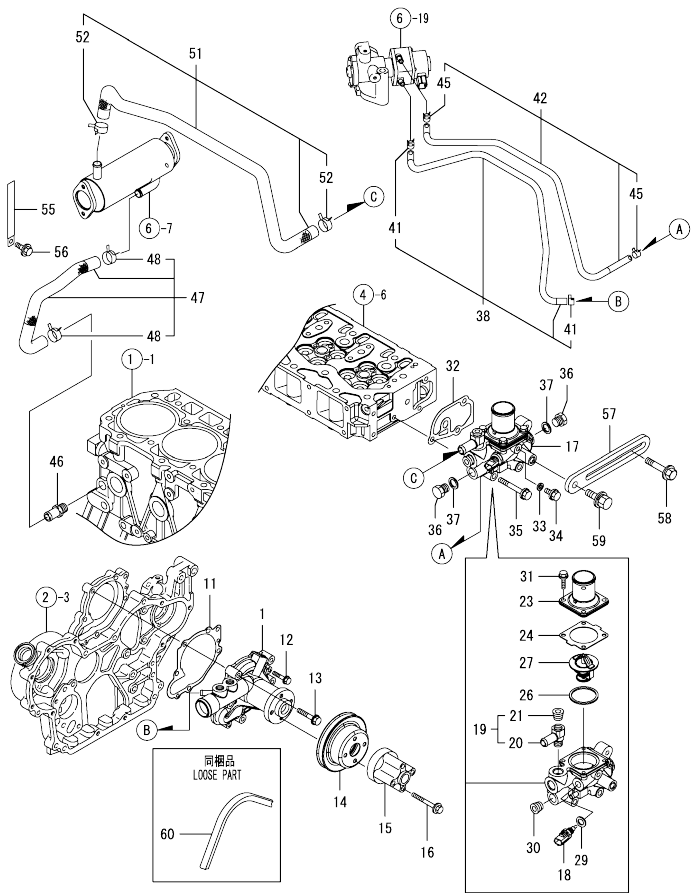


(A)=4TNV98T-ZGKL
(B)=4TNV98T-ZGKLF
(C)=

(D)=
(E)=
(F)=

No.	Lev.	Parts No.	Description	Q'ty						
				(A)	(B)	(C)	(D)	(E)	(F)	
1	1	119761-39450	SWITCH, HYDRAULIC	1	1					
2	1	129935-39040	PIPE ASSY, OIL	1	1					
4	2	124223-39900	RETAINER	1	1					
7	1	121252-39150	BOLT, JOINT M10X1.5	1	1					
8	1	129005-59830	BOLT ASSY, JOINT M8	1	1					
9	2	22190-080002	WASHER, SEAL 6	1	1					
10	2	23857-030000	BOLT, JOINT 3	1	1					
11	1	22190-080002	WASHER, SEAL 6	1	1					
12	1	23414-100000	GASKET, 10X1.0	2	2					
13	1	26106-080122	BOLT, M8X 12 PLATED	1	1					
14	1	129927-39060	PIPE ASSY, OIL	1	1					
16	2	123907-39500	RETAINER, PIPE	1	1					
18	1	129005-59830	BOLT ASSY, JOINT M8	2	2					
19	2	22190-080002	WASHER, SEAL 6	2	2					
20	2	23857-030000	BOLT, JOINT 3	2	2					
21	1	22190-080002	WASHER, SEAL 6	2	2					
22	1	26106-080122	BOLT, M8X 12 PLATED	1	1					
23	1	22190-080002	WASHER, SEAL 6	2	2					
24	1	26106-080122	BOLT, M8X 12 PLATED	2	2					
25	1	124070-13300	ELBOW, PT3/8	1	1					
26	1	129935-39610	PIPE, OIL	1	1					
28	2	123910-39850	RETAINER	1	1					
29	1	129908-39690	GASKET	1	1					
30	1	123901-39820	HOSE, LO RETURN	1	1					
31	1	23000-025000	CLAMP, 25	2	2					
32	1	26106-060162	BOLT, M6X 16 PLATED	2	2					
33	1	26106-080122	BOLT, M8X 12 PLATED	1	1					
34	1	129908-39410	VALVE ASSY, CHECK	4	4					
40	1	119000-39650	NOZZLE, COOLING	4	4					
41	1	22351-030010	PIN, SPRING 3.0X10	4	4					

Fig.12. COOLING WATER SYSTEM

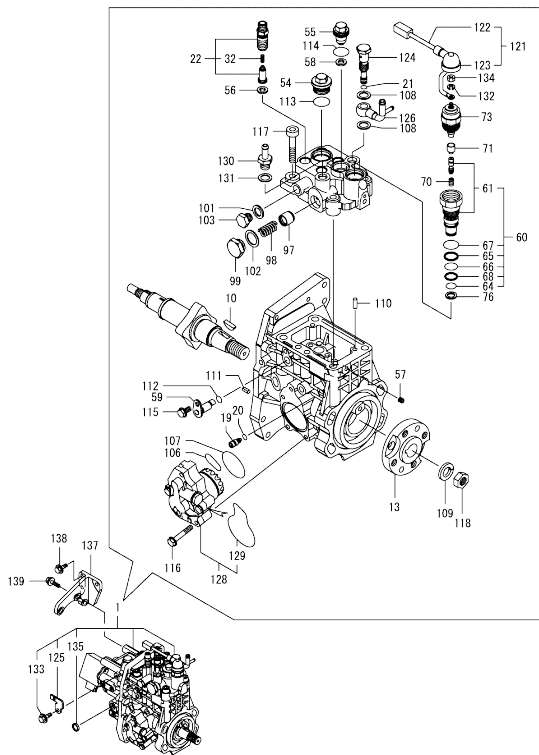


(A)=4TNV98T-ZGKL
(B)=4TNV98T-ZGKLF
(C)=

(D)=
(E)=
(F)=

No.	Lev.	Parts No.	Description	Q'ty						I	R
				(A)	(B)	(C)	(D)	(E)	(F)		
1	1	129927-42000	PUMP ASSY, WATER	1	1						
11	1	129900-42020	GASKET, WATER PUMP	1	1						
12	1	26106-060302	BOLT, M6X 30 PLATED	2	2						
13	1	26106-080552	BOLT, M8X 55 PLATED	5	5						
14	1	129900-42461	V-PULLEY, C.W.PUMP	1	1						
15	1	119117-44760	SPACER, FAN	1	1						
16	1	26106-080802	BOLT, M8X 80 PLATED	4	4						
17	1	129949-49810	CASE ASSY, THERMOSTAT	1	1						
18	2	129927-44900	SENSOR, WATER TEMP.	1	1						
19	2	129928-49400	JOINT ASSY	1	1						
20	3	129928-49410	JOINT	1	1						
21	3	23875-030000	PLUG, R03	1	1						
23	2	129916-49530	COVER, THERMOSTAT	1	1						
24	2	121850-49540	GASKET, THERMOSTAT	1	1						
26	2	121850-49550	GASKET, THERMOSTAT	1	1						
27	2	121850-49800	THERMOSTAT, 82C	1	1						
29	2	22190-120002	WASHER, SEAL 12	1	1						
30	2	23875-030000	PLUG, R03	1	1						
31	2	26106-060202	BOLT, M6X 20 PLATED	4	4						
32	1	129900-49870	GASKET, THERMOSTAT	1	1						
33	1	23414-080000	GASKET, 8X1.0	1	1						
34	1	26106-080122	BOLT, M8X 12 PLATED	1	1						
35	1	26106-080602	BOLT, M8X 60 PLATED	3	3						
36	1	121450-42450	PLUG, M16	2	2						
37	1	124465-44950	GASKET, 16	2	2						
38	1	129927-49610	HOSE ASSY, WATER	1	1						
41	2	23080-012000	CLAMP, 12	2	2						
42	1	129927-49620	HOSE ASSY, WATER	1	1						
45	2	23080-012000	CLAMP, 12	2	2						
46	1	129928-49420	JOINT	1	1						
47	1	129948-49610	HOSE ASSY, WATER	1	1						
48	2	129960-03990	CLAMP, HOSE 19.8	2	2						
51	1	129948-49620	HOSE ASSY, WATER	1	1						
52	2	129960-03990	CLAMP, HOSE 19.8	2	2						
55	1	129928-79700	CLAMP, 150-M8	1	1						
56	1	26106-080122	BOLT, M8X 12 PLATED	1	1						
57	1	129900-77330	ADJUSTER, BELT	1	1						
58	1	119810-77340	BOLT, ADJUST L=30	1	1						
59	1	26014-080252	BOLT, M8X 25	1	1						
60	1	25132-004100	V-BELT, A41	1	1						

Fig.13. FUEL INJECTION PUMP



Remarks

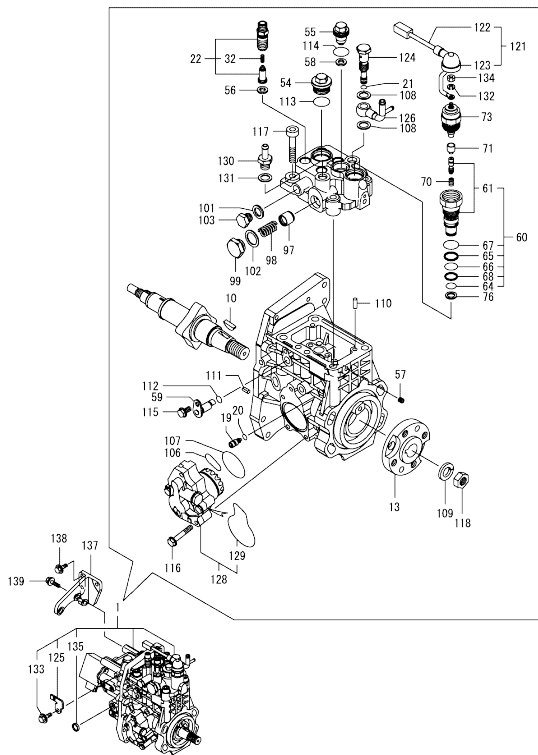
(1) GOVERNOR ASSY (FIG.14) IS INCORPORATED IN THIS FUEL INJECTION PUMP (REF.NO.1).
 * ECO PUMP
 MAKE SURE TO UPDATE THE ENGINES ECU INFORMATION WHEN REPLACING THE ECO PUMP.
 FAILING TO DO SO WILL RESULT IN ENGINE MALFUNCTION.

(A)=4TNV98T-ZGKL
 (B)=4TNV98T-ZGKLF
 (C)=

(D)=
 (E)=
 (F)=

No.	Lev.	Parts No.	Description	Qty						I	R	
				(A)	(B)	(C)	(D)	(E)	(F)			
1	1	729945-51390	FIE ASSY	1	1						1	
10	2	144626-51090	FEATHER KEY, 5X19	1	1							
13	2	158563-51150	FLANGE	1	1							
19	2	158600-51270	STOPPER, TAPPET	1	1							
20	2	158563-51281	O-RING, 4D S6	1	1							
21	2	158563-51281	O-RING, 4D S6	1	1							
22	2	129928-51390	VALVE ASSY, DELIVERY	4	4							
32	3	158563-51330	SPRING, DELIVERY	4	4							
54	2	158601-51550	PLUG, M22	1	1							
55	2	129907-51560	PLUG, M16	1	1							
56	2	158552-51571	GASKET, PLUG	4	4							
57	2	158557-51570	PLUG, RACK	1	1							
58	2	129906-51580	GASKET, PLUG	1	1							
59	2	158552-51580	LIFTER, LINK	1	1							
60	2	129657-51590	TIMER ASSY	1	1							
61	3	129657-51600	TIMER ASSY	1	1							
64	3	158553-51670	O-RING	1	1							
65	3	119802-51680	RING, BACKUP	1	1							
66	3	119802-51690	O-RING	1	1							
67	3	24356-010200	O-RING, 4D1020	1	1							
68	3	24372-000150	RING, BACK UP T2P15	1	1							
70	2	119852-51630	SPRING, TIMER	1	1							
71	2	119852-51640	CAP, TIMER	1	1							
73	2	119852-51650	VALVE ASSY, SOLENOID	1	1							
76	2	158553-51680	GASKET, TIMER	1	1							
97	2	158601-51770	PISTON, ACCUMULATOR	1	1							
98	2	158552-51781	SPRING, ACCUMULATOR	1	1							
99	2	158601-51790	PLUG	1	1							
101	2	22190-120002	WASHER, SEAL 12	1	1							
102	2	22190-180002	WASHER, SEAL 18	1	1							
103	2	23887-120002	PLUG, 12	1	1							
106	2	158552-52310	O-RING	1	1							
107	2	158552-52400	O-RING, 4E S42	1	1							
108	2	22190-120002	WASHER, SEAL 12	2	2							
109	2	22217-180000	WASHER, SPRING 18	1	1							
110	2	22312-050140	PIN, PARALLEL M5X14	2	2							
111	2	22351-050010	PIN, SPRING 5.0X10	2	2							
112	2	24311-000070	O-RING, 1AP7.0	1	1							
113	2	24356-010200	O-RING, 4D1020	1	1							
114	2	24356-020210	O-RING, 4D2021	1	1							
115	2	26106-060102	BOLT, M6X 10 PLATED	1	1							
116	2	26106-060352	BOLT, M6X 35 PLATED	4	4							
117	2	26450-100452	BOLT, M10X 45	4	4							
118	2	26776-180002	NUT, LOCK M18	1	1							
121	2	129927-51650	HARNESS ASSY, WIRE	1	1							
122	3	129927-51660	HARNESS	1	1							
123	3	129263-77941	CAP, RUBBER	1	1							
124	2	158601-51650	JOINT, OVER FLOW	1	1							
125	2	129927-51670	BRACKET	1	1							
126	2	158552-51670	JOINT, OVER FLOW	1	1							
128	2	158552-52100	PUMP ASSY, FUEL FEED	1	1							

Fig.13. FUEL INJECTION PUMP



(A)=4TNV98T-ZGKL
(B)=4TNV98T-ZGKLF
(C)=

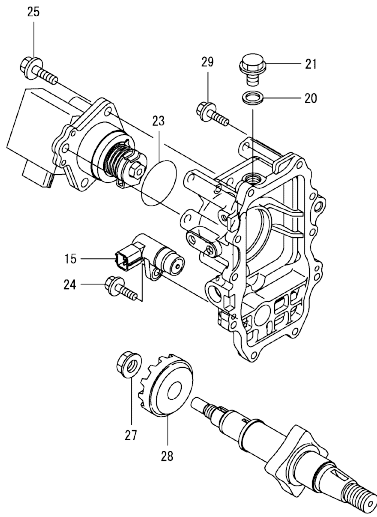
(D)=
(E)=
(F)=

No.	Lev.	Parts No.	Description	Q'ty					
				(A)	(B)	(C)	(D)	(E)	(F)
129	3	158552-52500	O-RING	1	1				
130	2	119934-59910	JOINT, PIPE	1	1				
131	2	22190-120002	WASHER, SEAL 12	1	1				
132	2	22217-050000	WASHER, SPRING 5	1	1				
133	2	26106-060122	BOLT, M6X 12 PLATED	1	1				
134	2	26716-050002	NUT, M5	1	1				
135	2	27241-160000	PLUG, 16	1	1				
137	1	129927-51250	RETAINER, PUMP	1	1				
138	1	26106-080202	BOLT, M8X 20 PLATED	3	3				
139	1	26106-080302	BOLT, M8X 30 PLATED	3	3				

Remarks

(1) GOVERNOR ASSY (FIG.14) IS INCORPORATED IN THIS FUEL INJECTION PUMP (REF.NO.1).
* ECO PUMP
MAKE SURE TO UPDATE THE ENGINES ECU INFORMATION WHEN REPLACING THE ECO PUMP.
FAILING TO DO SO WILL RESULT IN ENGINE MALFUNCTION.

Fig.14. GOVERNOR



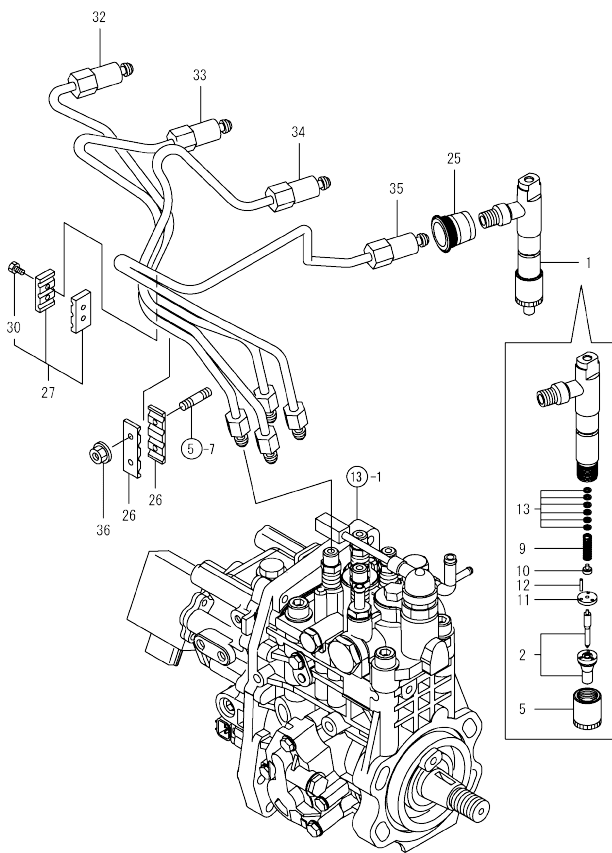
(A)=4TNV98T-ZGKL
(B)=4TNV98T-ZGKLF
(C)=

(D)=
(E)=
(F)=

No.	Lev.	Parts No.	Description	Qty					
				(A)	(B)	(C)	(D)	(E)	(F)
15	2	158557-61720	SENSOR	1	1				
20	2	23414-120000	GASKET, 12X1.0	1	1				
21	2	23887-120002	PLUG, 12	1	1				
23	2	24341-000480	O-RING, 1AS48.0	1	1				
24	2	26106-060162	BOLT, M6X 16 PLATED	1	1				
25	2	26106-080252	BOLT, M8X 25 PLATED	3	3				
27	2	129008-61301	NUT	1	1				
28	2	158553-61780	GEAR, SENSOR	1	1				
29	2	26106-060252	BOLT, M6X 25 PLATED	10	10				

Remarks
* THIS FIGURE(GOVERNOR ASSY)IS
INCORPORATED IN THE FUEL INJECTION
PUMP ASSY(FIG.13).

Fig.15. FUEL INJECTION VALVE

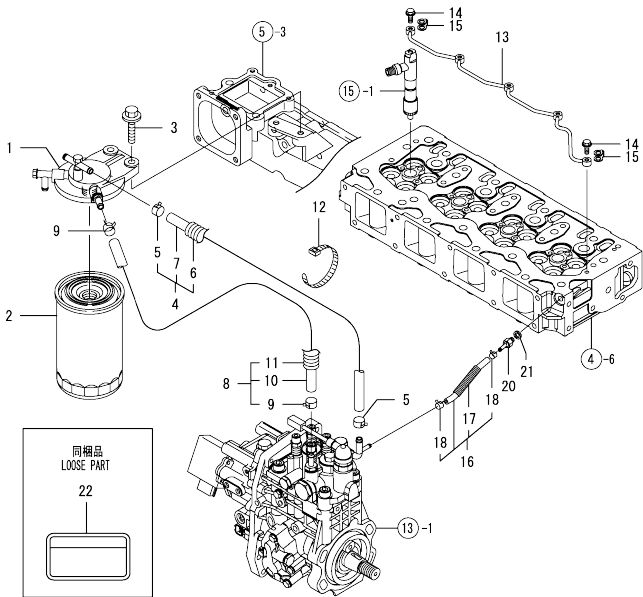


(A)=4TNV98T-ZGKL
(B)=4TNV98T-ZGKLF
(C)=

(D)=
(E)=
(F)=

No.	Lev.	Parts No.	Description	Q'ty					
				(A)	(B)	(C)	(D)	(E)	(F)
1	1	729928-53200	FUEL INJECTOR ASSY	4	4				
2	2	129509-53000	NOZZLE ASSY, F.I.	4	4				
5	2	114250-53080	NUT, NOZZLE	4	4				
9	2	114250-53120	SPRING, NOZZLE	4	4				
10	2	114250-53130	SEAT, SPRING	4	4				
11	2	114250-53140	SPACER	4	4				
12	2	114250-53210	PIN	8	8				
13	2	114250-53400	SHIM SET	4	4				
25	1	123907-11601	SEAL, PIPE	4	4				
26	1	123472-59120	RETAINER, PIPE	2	2				
27	1	129150-59120	RETAINER, PIPE	1	1				
30	2	129150-59131	BOLT, M4X14	2	2				
32	1	129927-59810	PIPE ASSY, INJECTION	1	1				
33	1	129927-59820	PIPE ASSY, INJECTION	1	1				
34	1	129927-59830	PIPE ASSY, INJECTION	1	1				
35	1	129927-59840	PIPE ASSY, INJECTION	1	1				
36	1	26366-060002	NUT, M6	2	2				

Fig.16. FUEL LINE



(A)=4TNV98T-ZGKL
(B)=4TNV98T-ZGKLF
(C)=

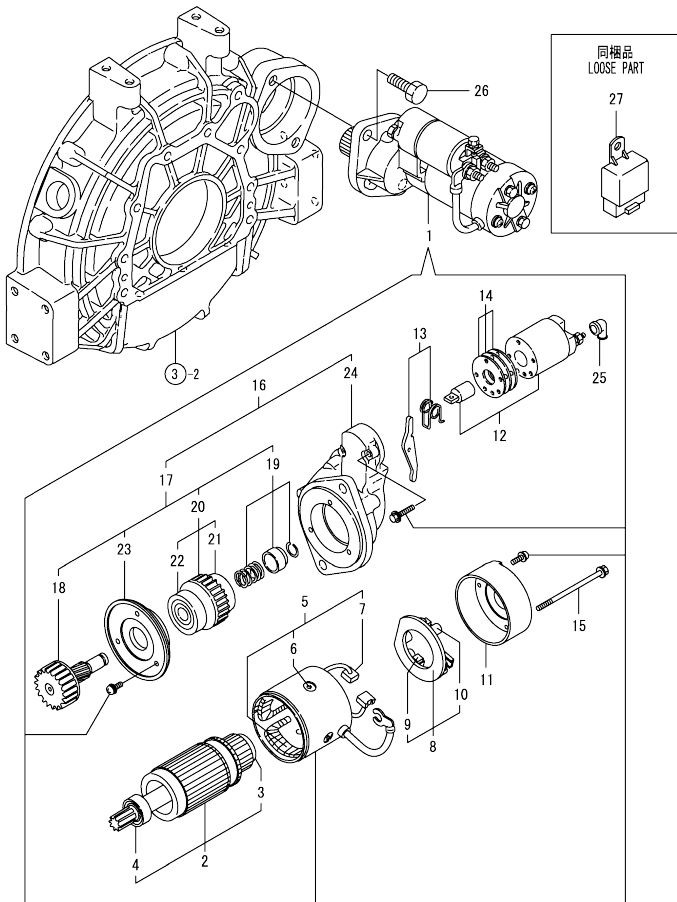
(D)=
(E)=
(F)=

No.	Lev.	Parts No.	Description	Q'ty						I	R
				(A)	(B)	(C)	(D)	(E)	(F)		
1	1	129004-55612	BRACKET, FILTER	1	1						
2	1	123907-55810	FILTER, FUEL	1	1						
3	1	26106-080302	BOLT, M8X 30 PLATED	2	2						
4	1	129457-59010	HOSE ASSY, FUEL	1	1						
5	2	124766-59050	CLAMP, HOSE 11.5	2	2						
6	2	129957-59120	TUBE, CORRUGATED 15	1	1						
7	2	105025-59750	HOSE, FUEL	1	1						
8	1	129961-59310	HOSE ASSY, FUEL	1	1						
9	2	124766-59050	CLAMP, HOSE 11.5	2	2						
10	2	129136-59110	HOSE, D13/7.5X270	1	1						
11	2	129961-59110	TUBE, CORRUGATED 15	1	1						
12	1	121750-59890	BAND, NYLON	1	1						
13	1	129907-59140	PIPE ASSY, RETURN	1	1						
14	1	123907-59540	BOLT, PIPE JOINT M6	5	5						
15	1	123907-59550	GASKET	5	5						
16	1	129927-59550	HOSE ASSY, RETURN	1	1						
17	2	129263-49750	TUBE, CORRUGATED	1	1						
18	2	124722-59050	CLAMP, HOSE 9	2	2						
20	1	123907-59560	JOINT, HOSE	1	1						
21	1	22190-080002	WASHER, SEAL 6	1	1						
22	1	114110-07760	LABEL, FUEL CAUTION	1	1						

同梱品
LOOSE PART

22

Fig.17. STARTING MOTOR

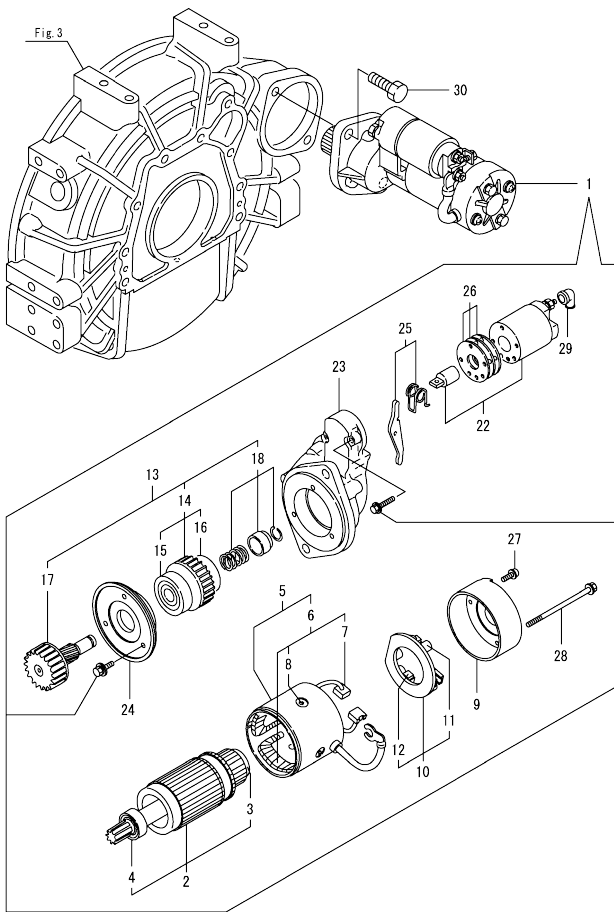


(A)=4TNV98T-ZGKL
(B)=4TNV98T-ZGKLF
(C)=

(D)=
(E)=
(F)=

No.	Lev.	Parts No.	Description	Q'ty						I	R
				(A)	(B)	(C)	(D)	(E)	(F)		
1	1	129900-77010	STARTER ASSY	1	1						
2	2	129900-77400	ARMATURE ASSY	1	1						
3	3	X2114155110	BEARING, BALL	1	1						
4	3	X2114255110	BEARING, BALL	1	1						
5	2	129900-77440	COIL ASSY, FIELD	1	1						
6	3	171008-77450	SCREW, CORE SET	4	4						
7	3	129900-77450	BRUSH	2	2						
8	2	129900-77480	HOLDER ASSY, BRUSH	1	1						
9	3	129900-77450	BRUSH	2	2						
10	3	X2130631300	SPRING, BRUSH	4	4						
11	2	129900-77460	COVER	1	1						
12	2	129900-77591	SWITCH ASSY, MAGNET	1	1						
13	2	129900-77620	LEVER SET	1	1						
14	2	129900-77650	COVER KIT, DUST	1	1						
15	2	129900-77640	BOLT, THROUGH	2	2						
16	2	129900-77700	CASE ASSY, GEAR	1	1						
17	3	129900-77510	PINION ASSY, W/CLUTCH	1	1						
18	4	129900-77540	SHAFT, PINION	1	1						
19	4	129900-77550	STOPPER SET, PINION	1	1						
20	4	129900-77520	CLUTCH ASSY	1	1						
21	5	171008-77730	BEARING, BALL	1	1						
22	5	171008-77740	BEARING, BALL	1	1						
23	4	129900-77610	RETAINER, BEARING	1	1						
24	3	129900-77710	CASE, GEAR	1	1						
25	2	171008-77750	COVER, TERMINAL	1	1						
26	1	26116-120302	BOLT, M12X 30 PLATED	2	2						
27	1	198461-52950	RELAY, CA TYPE C	1	1						

Fig.20. (17A)STARTING MOTOR

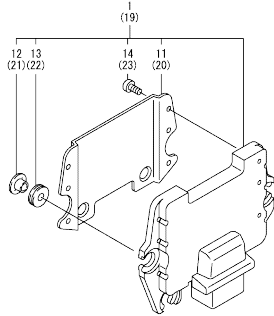


(A)=4TNV98T-ZGKL
(B)=4TNV98T-ZGKLF
(C)=

(D)=
(E)=
(F)=

No.	Lev.	Parts No.	Description	Q'ty					
				(A)	(B)	(C)	(D)	(E)	(F)
1	1	129900-77040	STARTER ASSY	1	1				
2	2	129900-77120	ARMATURE ASSY	1	1				
3	3	171008-77410	BEARING, BALL	1	1				
4	3	171008-77420	BEARING, BALL	1	1				
5	2	129900-77130	YOKE ASSY	1	1				
6	3	129900-77140	COIL ASSY, FIELD	1	1				
7	4	129900-77450	BRUSH	2	2				
8	4	171008-77450	SCREW, CORE SET	4	4				
9	2	129900-77150	COVER	1	1				
10	2	129900-77160	HOLDER ASSY, BRUSH	1	1				
11	3	X2130631300	SPRING, BRUSH	4	4				
12	3	129900-77450	BRUSH	2	2				
13	2	129900-77170	CLUTCH ASSY	1	1				
14	3	129900-77180	CLUTCH ASSY	1	1				
15	4	129900-77190	BEARING, BALL	1	1				
16	4	X2114955020	BEARING, BALL	1	1				
17	3	129900-77270	SHAFT, PINION	1	1				
18	3	171008-77670	STOPPER SET, PINION	1	1				
22	2	129900-77280	SWITCH ASSY, MAGNET	1	1				
23	2	129900-77290	CASE, GEAR	1	1				
24	2	129900-77380	RETAINER, BEARING	1	1				
25	2	129900-77390	LEVER ASSY, SHIFT	1	1				
26	2	129900-77420	COVER KIT, DUST	1	1				
27	2	129900-77430	SCREW, M4X10	2	2				
28	2	129685-77640	BOLT, THROUGH	2	2				
29	2	171008-77750	COVER, TERMINAL	1	1				
30	1	26116-120302	BOLT, M12X 30 PLATED	2	2				

Fig.18. ELECTRONIC CONTROL UNIT (ECU)



(A)=4TNV98T-ZGKL
 (B)=4TNV98T-ZGKLF
 (C)=

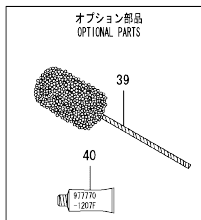
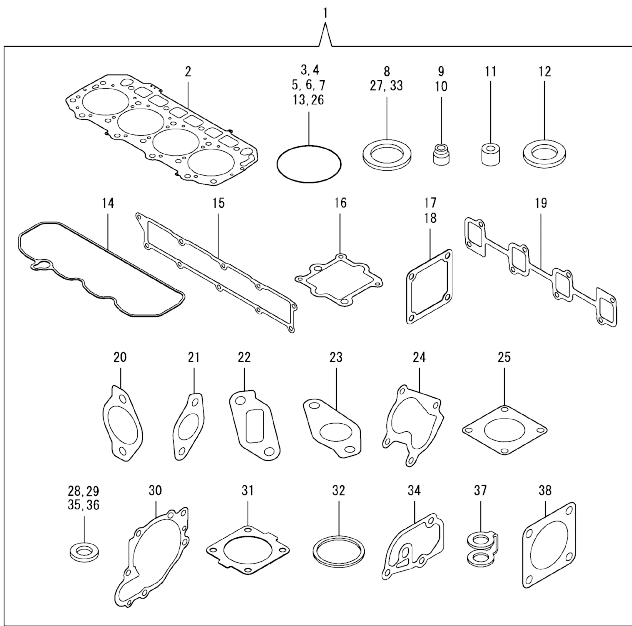
(D)=
 (E)=
 (F)=

No.	Lev.	Parts No.	Description	Q'ty						
				(A)	(B)	(C)	(D)	(E)	(F)	
1	1	129945-75040	CONTROLLER ASSY, EUC	1	1					1
11	2	129927-77600	SHIELD, ECU	1	1					
12	2	129927-77680	COLLAR, CONTROL	3	3					
13	2	119578-91351	ABSORBER	3	3					
14	2	22877-500080	SCREW, 5X 8	6	6					
19	1	129927-75900	ECU ASSY, SERVICE	1	1					2
20	2	129927-77600	SHIELD, ECU	1	1					
21	2	129927-77680	COLLAR, CONTROL	3	3					
22	2	119578-91351	ABSORBER	3	3					
23	2	22877-500080	SCREW, 5X 8	6	6					

Remarks

(1)ECO ECU
 THIS PART CANNOT BE ORDERED.
 REPLACE THE PART USING A SERVICE
 ECU WITH THE PROPER ENGINE
 INFORMATION INSTALLED.
 (2)SERVICE ECU
 IF THE PROPER INFORMATION IS NOT
 INSTALLED, THE ENGINE WILL NOT
 OPERATE.
 TO INSTALL PROPER INFORMATION,
 GO TO AN AUTHORIZED DISTRIBUTOR.

Fig.19. GASKET SET



(A)=4TNV98T-ZGKL
(B)=4TNV98T-ZGKLF
(C)=

(D)=
(E)=
(F)=

No.	Lev.	Parts No.	Description	Qty						I	R	
				(A)	(B)	(C)	(D)	(E)	(F)			
1	1	729928-92700	GASKET SET	1	1						1	
2	2	129907-01331	GASKET, HEAD	1	1							
3	2	129900-32030	O-RING, P20	2	2							
4	2	129900-32040	O-RING, P14	1	1							
5	2	24311-000070	O-RING, 1AP7.0	1	1							
6	2	24351-030750	O-RING, 1A3075	1	1							
7	2	24311-000320	O-RING, 1AP32.0	2	2							
8	2	22190-220002	WASHER, SEAL 22	1	1							
9	2	119803-11340	SEAL, VALVE STEM	8	8							
10	2	124160-11340	SEAL, VALVE STEM	8	8							
11	2	119802-11870	PROTECTOR, NOZZLE	4	4							
12	2	119625-11880	SEAT, NOZZLE	4	4							
13	2	24311-000120	O-RING, 1AP12.0	8	8							
14	2	129933-11310	GASKET, BONNET	1	1							
15	2	129907-12110	GASKET, MANIFOLD	1	1							
16	2	129928-13720	GASKET	1	1							
17	2	119129-77020	GASKET	1	1							
18	2	121850-77021	GASKET, AIR HEATER	1	1							
19	2	129900-13251	GASKET, EXH.MANIFOLD	1	1							
20	2	129928-13410	GASKET	2	2							
21	2	129927-13810	GASKET	1	1							
22	2	129927-13910	GASKET, EGR	1	1							
23	2	129927-13920	GASKET, EGR	1	1							
24	2	123901-18080	GASKET	1	1							
25	2	129472-18090	GASKET	1	1							
26	2	24321-000600	O-RING, 1AG60.0	1	1							
27	2	22190-080002	WASHER, SEAL 6	9	9							
28	2	23414-100000	GASKET, 10X1.0	2	2							
29	2	129908-39690	GASKET	1	1							
30	2	129900-42020	GASKET, WATER PUMP	1	1							
31	2	121850-49540	GASKET, THERMOSTAT	1	1							
32	2	121850-49550	GASKET, THERMOSTAT	1	1							
33	2	22190-120002	WASHER, SEAL 12	1	1							
34	2	129900-49870	GASKET, THERMOSTAT	1	1							
35	2	23414-080000	GASKET, 8X1.0	1	1							
36	2	124465-44950	GASKET, 16	2	2							
37	2	123907-59550	GASKET	5	5							
38	2	124240-01883	GASKET	1	1							
39	1	129400-92450	HONE, FLEX	1	1							1
40	1	977770-1207F	GASKET, LIQUID	1	1							1

Remarks
(1) OPTIONAL PART.

Parts No. Index

Parts No.	Fig. No.	Ref. No.
105025-59750	16	7
114110-07760	16	22
114250-53080	15	5
114250-53120	15	9
114250-53130	15	10
114250-53140	15	11
114250-53210	15	12
114250-53400	15	13
119000-01840	3	4
119000-39650	11	40
119005-77051	5	17
119100-11330	4	65
119117-44760	12	15
119129-77020	5	15
	19	17
119129-77520	5	18
119131-18320	8	3
119578-91351	18	13
		22
119593-11301	4	34
119620-11180	4	18
119625-11880	4	30
	19	12
119640-01640	3	8
119761-39450	11	1
119802-11870	4	29
	19	11
119802-13790	6	10
119802-51680	13	65
119802-51690	13	66
119803-11340	4	19
	19	9
119810-77340	12	58
119852-51630	13	70
119852-51640	13	71
119852-51650	13	73
119934-59910	13	130
120130-22301	9	20
121252-39150	11	7
121450-42450	12	36
121520-34810	10	15
121750-59890	10	11
	16	12
121850-21130	9	10
121850-21290	9	4
121850-21920	9	5
121850-49540	12	24
	19	31
121850-49550	12	26
	19	32

Parts No.	Fig. No.	Ref. No.
121850-49800	12	27
121850-77021	5	16
	19	18
123472-59120	15	26
123900-13630	6	6
123900-25060	7	9
123901-18080	6	24
	19	24
123901-39820	11	30
123907-03100	4	59
123907-03110	4	60
123907-03120	4	61
123907-03140	4	62
123907-11280	4	39
123907-11550	4	5
123907-11601	15	25
123907-11820	4	25
123907-11830	4	24
123907-39500	11	16
123907-55810	16	2
123907-59540	16	14
123907-59550	16	15
	19	37
123907-59560	16	20
123910-39850	11	28
123910-49600	10	8
123910-49610	10	10
123912-33050	10	2
123912-33100	10	3
124070-13300	11	25
124160-01751	2	14
	4	54
124160-11340	4	20
	19	10
124160-11360	4	72
124223-39900	11	4
124240-01871	2	20
124240-01883	2	21
	19	38
124465-44950	12	37
	19	36
124722-59050	16	18
124766-59050	16	5
		9
127410-21480	9	13
129001-91810	2	19
		28
129004-55612	16	1
129005-59830	11	8
		18

Parts No.	Fig. No.	Ref. No.
129006-44480	10	5
129008-61301	14	27
129009-11340	4	66
129100-01580	2	1
	3	1
129136-59110	16	10
129150-02450	7	4
129150-11230	4	42
		46
129150-11750	4	23
		43
		47
129150-14200	7	1
129150-25920	7	13
129150-35170	10	16
129150-59120	15	27
129150-59131	15	30
129263-49750	16	17
129263-77941	13	123
129400-92450	19	39
129410-03990	5	24
129418-18320	6	3
		4
129457-59010	16	4
129466-49300	10	7
129472-18090	8	2
	19	25
129509-03050	5	21
129509-12070	5	26
129509-53000	15	2
129509-79700	4	67
129657-51590	13	60
129657-51600	13	61
129685-77640	20	28
129900-01200	1	27
129900-01250	1	4
129900-01740	2	16
129900-01850	2	26
129900-01870	2	27
129900-02020	1	6
129900-02341	1	33
129900-02410	1	9
129900-02931	1	24
129900-02941	1	36
129900-13251	6	5
	19	19
129900-14100	7	6
129900-21200	9	3
129900-21640	9	8
129900-23001	9	22

Parts No.	Fig. No.	Ref. No.
129900-23200	9	25
129900-23601	9	26
129900-23611	9	29
129900-23911	9	28
129900-25100	7	10
129900-32030	2	6
	10	17
	19	3
129900-32040	2	7
	19	4
129900-34800	10	14
129900-35000	10	18
129900-42020	12	11
	19	30
129900-42461	12	14
129900-49870	12	32
	19	34
129900-77010	17	1
129900-77040	20	1
129900-77120	20	2
129900-77130	20	5
129900-77140	20	6
129900-77150	20	9
129900-77160	20	10
129900-77170	20	13
129900-77180	20	14
129900-77190	20	15
129900-77270	20	17
129900-77280	20	22
129900-77290	20	23
129900-77330	12	57
129900-77380	20	24
129900-77390	20	25
129900-77400	17	2
129900-77420	20	26
129900-77430	20	27
129900-77440	17	5
129900-77450	17	7
	20	7
		12
129900-77460	17	11
129900-77480	17	8
129900-77510	17	17
129900-77520	17	20
129900-77540	17	18
129900-77550	17	19
129900-77591	17	12
129900-77610	17	23
129900-77620	17	13

Parts No. Index

Parts No.	Fig. No.	Ref. No.
129900-77640	17	15
129900-77650	17	14
129900-77700	17	16
129900-77710	17	24
129902-01710	3	7
129902-21580	9	11
129906-51580	13	58
129907-01331	1	28
	19	2
129907-03011	4	56
129907-03061	4	57
129907-03070	4	58
129907-07900	4	1
129907-11100	4	15
129907-11110	4	16
129907-11120	4	17
129907-11250	4	36
129907-11260	4	37
129907-11270	4	38
129907-11341	4	35
129907-11510	4	21
129907-11650	4	40
129907-11660	4	44
129907-11800	4	28
129907-11910	4	31
129907-11920	4	48
129907-11950	4	32
129907-12110	5	1
	19	15
129907-14400	7	2
129907-21660	9	9
129907-25900	7	16
129907-51560	13	55
129907-59140	16	13
129908-01500	2	3
129908-14581	7	3
129908-21000	9	1
129908-32060	2	4
129908-33010	10	1
129908-33101	10	4
129908-39410	11	34
129908-39690	11	29
	19	29
129908-49060	10	6
129916-01790	3	6
129916-01800	2	25
129916-21610	9	7
129916-49530	12	23
129927-13810	6	12
	19	21

Parts No.	Fig. No.	Ref. No.
129927-13900	6	19
129927-13910	6	20
	19	22
129927-13920	6	21
	19	23
129927-22050	9	16
129927-39060	11	14
129927-42000	12	1
129927-42140	2	7 A
129927-44900	12	18
129927-49610	12	38
129927-49620	12	42
129927-51250	13	137
129927-51650	13	121
129927-51660	13	122
129927-51670	13	125
129927-59550	16	16
129927-59810	15	32
129927-59820	15	33
129927-59830	15	34
129927-59840	15	35
129927-75900	18	19
129927-77600	18	11
	20	20
129927-77680	18	12
	21	21
129928-11700	4	6
129928-12100	5	3
129928-13100	6	2
129928-13150	6	1
129928-13400	6	7
129928-13410	6	8
	9	9
	19	20
129928-13710	5	4
129928-13720	5	5
	19	16
129928-18200	5	10
129928-22080	9	14
129928-49400	12	19
129928-49410	12	20
129928-49420	12	46
129928-51390	13	22
129928-79700	12	55
129933-11310	4	64
	19	14
129935-39040	11	2
129935-39610	11	26
129945-03080	5	22
129945-11320	4	55

Parts No.	Fig. No.	Ref. No.
129945-12150	5	2
129945-18010	8	1
129945-18210	5	11
129945-18220	5	12
129945-75040	18	1
129948-07900	4	2
129948-13800	6	11
129948-13810	6	13
129948-49610	12	47
129948-49620	12	51
129949-49810	12	17
129951-01620	3	2
129953-25300	7	15
129957-59120	16	6
129960-03990	12	48
	52	52
129960-21930	9	37
129960-21940	9	8 -1
129961-59110	16	11
129961-59310	16	8
144626-51090	13	10
158552-51571	13	56
158552-51580	13	59
158552-51670	13	126
158552-51781	13	98
158552-52100	13	128
158552-52310	13	106
158552-52400	13	107
158552-52500	13	129
158553-51670	13	64
158553-51680	13	76
158553-61780	14	28
158557-51570	13	57
158557-61720	14	15
158563-51150	7	17
	13	13
158563-51281	13	20
	21	21
158563-51330	13	32
158600-51270	13	19
158601-51550	13	54
158601-51650	13	124
158601-51770	13	97
158601-51790	13	99
171008-77410	20	3
171008-77420	20	4
171008-77450	17	6
	20	8
171008-77670	20	18
171008-77730	17	21

Parts No.	Fig. No.	Ref. No.
171008-77740	17	22
171008-77750	17	25
	20	29
171051-01921	1	5
171056-49120	10	24
198461-52950	17	27
22190-080002	11	9
		11
		19
		21
	16	21
	19	27
22190-120002	12	29
	13	101
		108
		131
	19	33
22190-180002	13	102
22190-220002	3	10
	19	8
22217-050000	13	132
22217-180000	7	18
	13	109
22252-000300	9	21
22312-050140	13	110
22351-030010	11	41
22351-050010	13	111
22351-060012	1	10
22512-070140	7	7
	9	6
22857-500100	4	68
		69
		70
22877-500080	18	14
		23
23000-025000	10	12
	11	31
23000-054000	5	13
23000-070000	5	14 -1
		27
23000-080000	5	14
23080-012000	12	41
		45
23414-080000	12	33
	19	35
23414-100000	11	12
	19	28
23414-120000	14	20
23857-030000	11	10

Parts No. Index

Parts No.	Fig. No.	Ref. No.
23857-030000	11	20
23875-030000	12	21
		30
23876-020000	4	12
23876-030000	1	11
		12
		13
		29
	4	13
23887-120002	13	103
	14	21
24311-000070	2	8
	13	112
	19	5
24311-000120	4	33
		73
	19	13
24311-000320	2	15
	4	74
	19	7
24321-000600	10	13
	19	26
24341-000480	14	23
24351-030750	2	9
	19	6
24356-010200	13	67
		113
24356-020210	13	114
24372-000150	13	68
25132-004100	12	60
26014-080252	12	59
26106-060102	13	115
26106-060122	4	71
	13	133
26106-060162	11	32
	14	24
26106-060202	5	6
	12	31
26106-060252	14	29
26106-060302	12	12
26106-060352	13	116
26106-080122	3	11
	10	23
	11	13
		22
		24
		33
	12	34
		56
26106-080162	2	10

Parts No.	Fig. No.	Ref. No.
26106-080162	2	17
		22
		29
	4	3
	7	8
26106-080202	2	11
	4	4
	13	138
26106-080252	14	25
26106-080302	13	139
	16	3
26106-080352	6	14
26106-080402	2	18
		30
	4	50
	5	19
26106-080452	2	12
	5	8
	6	15
26106-080552	6	16
	7	14
	12	13
26106-080602	4	51
		52
	12	35
26106-080802	5	9
	12	16
26106-080902	5	20
26106-100252	6	17
26106-100402	6	22
26106-101052	6	23
26116-120302	17	26
	20	30
26206-100352	3	5
26216-060202	5	7
26216-100302	2	5
26226-080222	4	49
26306-080002	4	53
	6	18
	8	4
26306-100002	2	13
26366-060002	15	36
26450-100452	13	117
26716-050002	13	134
26776-180002	7	19
	13	118
27241-160000	13	135
27241-300000	1	14
27241-400000	4	14
27310-070001	4	26

Parts No.	Fig. No.	Ref. No.
729900-02801	1	30
729907-01559	2	23
729927-22950	9	33
729928-01560	1	1
729928-22900	9	31
729928-53200	15	1
729928-92700	19	1
729945-51390	13	1
977770-1207F	19	40
X2114155110	17	3
X2114255110	17	4
X2114955020	20	16
X2130631300	17	10
	20	11

Parts No.	Fig. No.	Ref. No.
-----------	----------	----------