

0CW10-M76300EN

P R E F A C E

1. This parts catalog is the 1st edition of 4TNV98T-ZXNDI for DIECI.

Pub.No. : 0CW10-G76300
Published : September, 2012

2. Model name

Engine model	Vehicle	Vehicle made by
4TNV98T-ZXNDI	Telehandler	DIECI

Directions for the Parts Catalog.

1. This Parts Catalog shows both standard and optional parts.
2. Parts may change without prior notice.
3. The following is an example of the Parts Catalog format.

REF.	LEV.	PARTS NO.	DESCRIPTION	Q'TY						I	R
				(A)	(B)	(C)	(D)	(E)	(F)		
1	1	729595-51390	FUEL INJECTION PUMP	1	1	1	1	1			1
1-1	1	729595-51391	FUEL INJECTION PUMP	1	1	1	1	1		N	1
		(A=E00185) (B=E00200)									
3	2	26022-060162	SCREW M 6X 16	9	9	9	9	9			
3-1	2	26022-060162	SCREW M 6X 16	4	4	4	4	4		K	
		(A=E00156) (B=E00156) (C=E00156) (D=E00156) (E=E00156)									
4	2	129470-51040	CAMSHAFT	1	1	1	1	1			
5	2	122710-51050	BEARING, ROLLER	2	2	2	2	2			
6	2	129470-51060	RETAINER	1	1	1	1	1			

Remarks
(1) BOOST COMPEMSATOR TYPE. OPTIONAL PART, TO E00155,(4JH-DT, 4JH-DTZ

① Ref. No.

The Ref. No. listed may not be in accordance with the illustration Ref. No.

(Ex.) Illustration No. List Ref No.

1 1 (Before change) → 1-1 (After change)

For interchangeable symbols N, R and K, illustrations for new parts may be abbreviated.

② Lev. (Level)

Level indication

The numbers below indicate the level of relativity towards the main part.

1 ---- Main parts (Assembly parts)

2 ---- Sub component included in " 1 ".

3 ---- Sub component included in " 2 ".

Note) Parts that are not for sale are partially illustrated but not listed.

③ Interchangeability Symbol

When a part change takes place, one of the following interchangeability symbols is indicated beside the part.

Symbol	Interchangeability	Contents note
N	Old $\begin{matrix} \leftarrow \text{Yes} \\ \text{No} \rightarrow \end{matrix}$ New	New Part is interchangeable for Old Part but Old Part is not interchangeable for New Part.
Q	Old $\begin{matrix} \leftarrow \text{No} \\ \text{Yes} \rightarrow \end{matrix}$ New	New Part is not interchangeable for Old Part but Old Part is interchangeable for New Part.
R	Old $\begin{matrix} \leftarrow \text{Yes} \\ \text{Yes} \rightarrow \end{matrix}$ New	New/ Old Parts are both interchangeable.
S	Old $\begin{matrix} \leftarrow \text{No} \\ \text{No} \rightarrow \end{matrix}$ New	New/ Old Parts are both not interchangeable.
W		Part newly added.
Z		Part discontinued.
F		Not interchangeable by a single part but interchangeable together with related parts.
K		Changes only for used parts quantities.

④ Effective Machine No.

When a part changes, the effective Machine No. will be indicated in the (A)-(F) column.

Product Symbol	Product No.	Product Symbol	Product No.
C	Clutch No. Compressor No.	F	Machine No. (Agricultural Equip.)
D	Drive No.	M	Machine No.
E	Engine No.		

Note 1) A date may follow the symbol. (Ex.) 1996.01

Note 2) "XXXXX" and "ZZZZZ" are for parts that could not be predicted or for engine models that could not be identified.

Note 3) (A=E00185) is the E (Engine Serial Number) for the column (A) model (in this case 4JH-DT) after the parts design change.

⑤ Remarks

Figures or alphabets (symbols) are entered in the remarks column.

The comments (remarks) on parts that are indicated at the bottom of the illustration are the same symbols as those stated above.

Contents

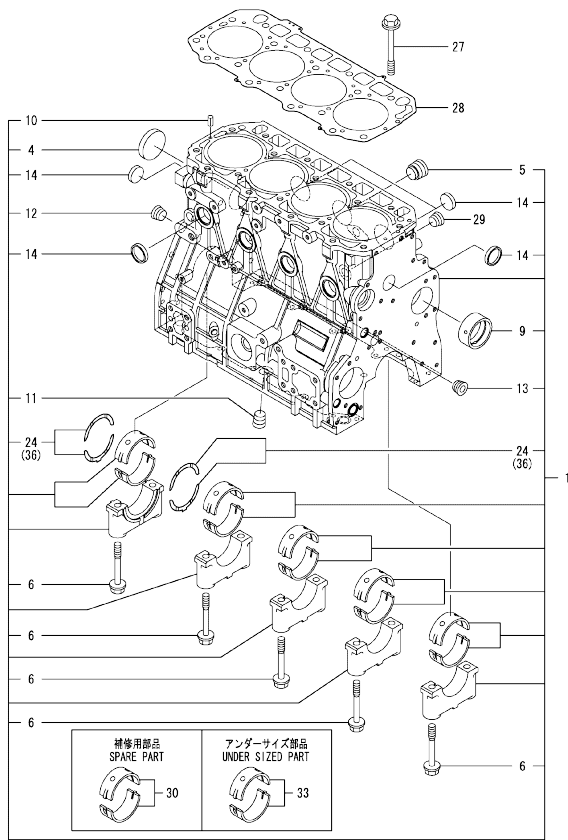
0CW10-M76300

Fig. No.	Fig. Name	Fig. No.	Fig. Name
4	TNV98T-ZXNDI		
1.	CYLINDER BLOCK		
2.	GEAR HOUSING		
3.	FLYWHEEL HOUSING & OIL SUMP		
4.	CYLINDER HEAD & BONNET		
5.	SUCTION MANIFOLD		
6.	EXHAUST MANIFOLD		
7.	CAMSHAFT & DRIVING GEAR		
8.	TURBINE		
9.	CRANKSHAFT & PISTON		
10.	LUB. OIL SYSTEM		
11.	LUB. OIL LINE		
12.	COOLING WATER SYSTEM		
13.	FUEL INJECTION PUMP		
14.	GOVERNOR		
15.	FUEL INJECTION VALVE		
16.	FUEL LINE		
17.	STARTING MOTOR		
18.	GENERATOR		
19.	ELECTRONIC CONTROL UNIT (ECU)		
20.	GASKET SET		

Fig.1. CYLINDER BLOCK

(A)=4TNV98T-ZXNDI
(B)=
(C)=

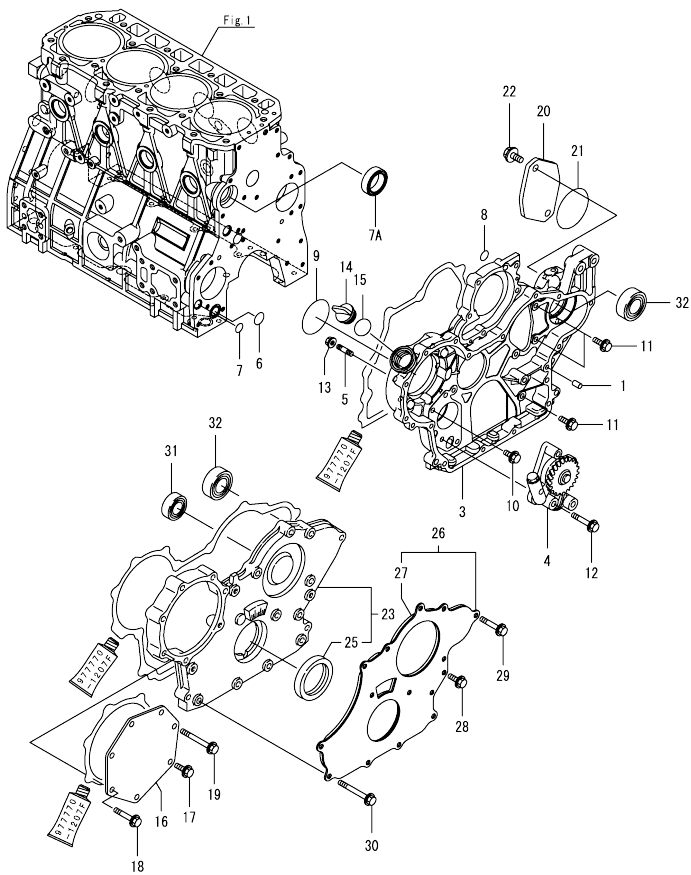
(D)=
(E)=
(F)=



No.	Lev.	Parts No.	Description	Q'ty						I	R
				(A)	(B)	(C)	(D)	(E)	(F)		
1	1	729928-01560	BLOCK ASSY, CYLINDER	1							
4	2	129900-01250	PLUG, DISH TYPE 55	1							
5	2	171051-01921	PLUG, NPTF1	1							
6	2	129900-02020	BOLT, METAL CAP	10							
9	2	129900-02410	BUSH, CAMSHAFT	1							
10	2	22351-060012	PIN, SPRING 6.0X12	2							
11	2	23876-030000	PLUG, R03	1							
12	2	23876-030000	PLUG, R03	1							
13	2	23876-030000	PLUG, R03	1							
14	2	27241-300000	PLUG 30	8							
24	2	129900-02931	BEARING ASSY, THRUST	2							
27	1	129900-01200	BOLT, CYLINDER HEAD	18							
28	1	129907-01331	GASKET, HEAD	1							
29	1	23876-030000	PLUG, R03	1							
30	1	729900-02801	BEARING, MAIN	5							1
33	1	129900-02341	BEARING ASSY, MAIN	5							2
36	1	129900-02941	BEARING, THRUST 0.25	2							3

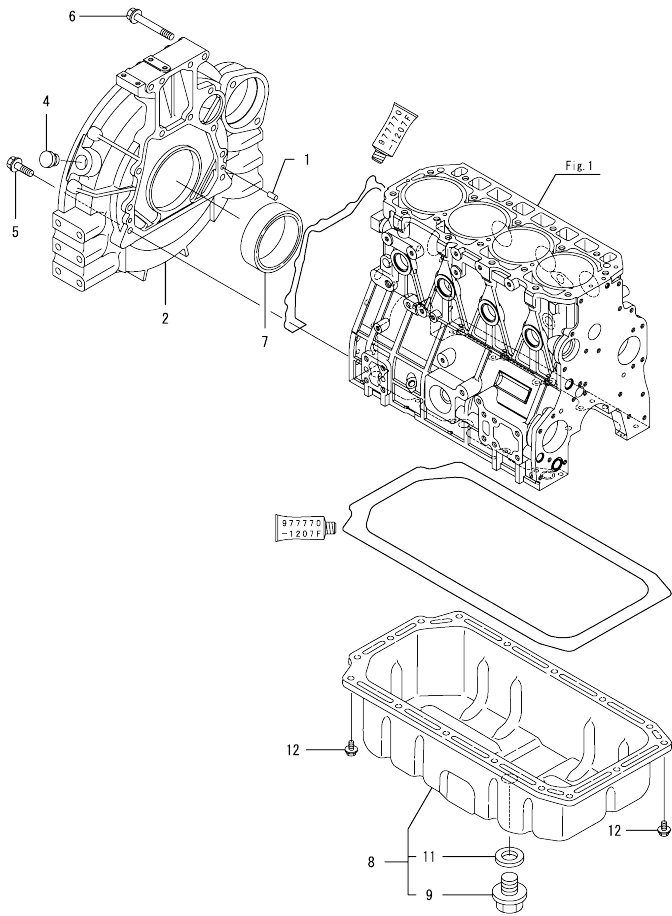
Remarks
(1)Spare part.
(2)Under-sized(U.S.=0.25)part.
(3)Over-sized(O.S.=0.25)part.

Fig.2. GEAR HOUSING



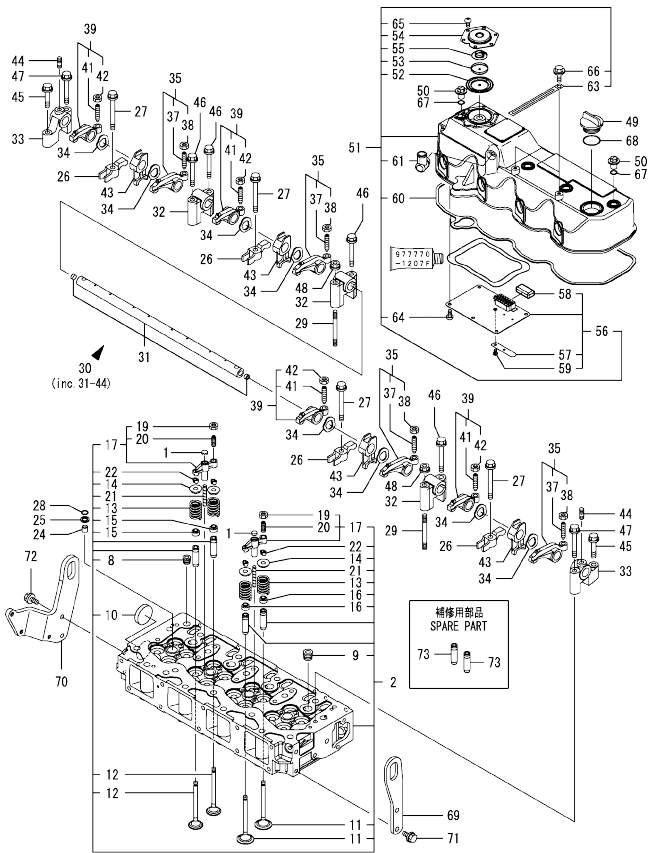
No.	Lev.	Parts No.	Description	Qty						I	R
				(A)	(B)	(C)	(D)	(E)	(F)		
1	1	129100-01580	PIN, PARALLEL 8X16	4							
3	1	129933-01500	CASE, GEAR	1							
4	1	129908-32060	PUMP ASSY, OIL	1							
5	1	26216-100302	STUD, M10X 30	4							
6	1	129900-32030	O-RING, P20	1							
7	1	129900-32040	O-RING, P14	1							
7A	1	129927-42140	GASKET, PUMP OUTLET	1							W
(A=ET4515)											
8	1	24311-000070	O-RING, 1AP7.0	1							
9	1	24351-030750	O-RING, 1A3075	1							
10	1	26106-080162	BOLT, M8X 16 PLATED	1							
11	1	26106-080202	BOLT, M8X 20 PLATED	3							
12	1	26106-080452	BOLT, M8X 45 PLATED	3							
13	1	26306-100002	NUT, M10	4							
14	1	124160-01751	CAP, FILLER	1							
15	1	24311-000320	O-RING, 1AP32.0	1							
16	1	129951-01740	COVER	1							
17	1	26106-080202	BOLT, M8X 20 PLATED	1							
18	1	26106-080452	BOLT, M8X 45 PLATED	5							
19	1	26106-080752	BOLT, M8X 75 PLATED	1							
20	1	121023-26071	COVER, PUMP	1							
21	1	24321-000850	O-RING, 1AG85.0	1							
22	1	26106-100202	BOLT, M10X 20 PLATED	2							
23	1	729907-01559	COVER ASSY, GEAR CASE	1							
25	2	129916-01800	SEAL, OIL	1							
26	1	129900-01850	COVER ASSY, GEAR CASE	1							
27	2	129900-01870	SPONGE, GEAR CASE	1							
28	1	26106-080162	BOLT, M8X 16 PLATED	3							
29	1	26106-080402	BOLT, M8X 40 PLATED	5							
30	1	26106-080702	BOLT, M8X 70 PLATED	6							
31	1	129900-14140	BEARING, BALL 6205	1							
32	1	129900-26250	BEARING, BALL 6206C3	2							

Fig.3. FLYWHEEL HOUSING & OIL SUMP



No.	Lev.	Parts No.	Description	Q'ty						
				(A)	(B)	(C)	(D)	(E)	(F)	
1	1	129100-01580	PIN, PARALLEL 8X16		2					
2	1	129900-01620	HOUSING, FLYWHEEL	1						
4	1	119620-01750	CAP	1						
5	1	26206-100352	BOLT, M10X 35 PLATED	9						
6	1	26206-100702	BOLT, M10X 70 PLATED	4						
7	1	129916-01790	SEAL, D115/95XT11	1						
8	1	129916-01710	OIL PAN ASSY	1						
9	2	119640-01640	PLUG, DRAIN M22	1						
11	2	22190-220002	WASHER, SEAL 22	1						
12	1	26106-080122	BOLT, M8X 12 PLATED	16						

Fig.4. CYLINDER HEAD & BONNET



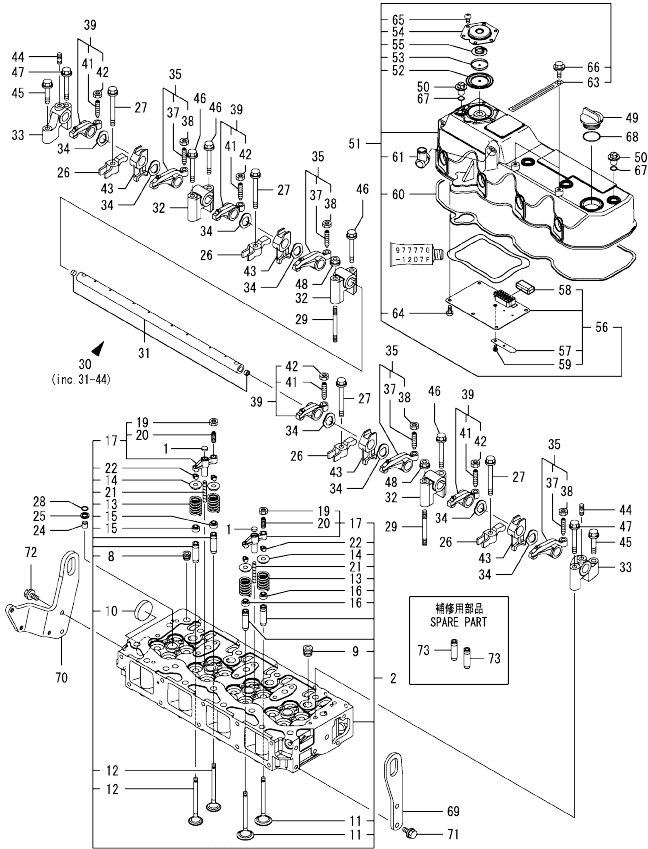
(A)=4TNV98T-ZXNDI
(B)=
(C)=

(D)=
(E)=
(F)=

No.	Lev.	Parts No.	Description	Q'ty						I	R
				(A)	(B)	(C)	(D)	(E)	(F)		
1	1	123907-11550	SEAT, VALVE BRIDGE	8							
2	1	129928-11700	HEAD ASSY, CYLINDER	1							
8	2	23876-020000	PLUG, R02	1							
9	2	23876-030000	PLUG, R03	4							
10	2	27241-400000	PLUG, 40	1							
11	2	129907-11100	VALVE, SUCTION	8							
12	2	129907-11110	VALVE, EXHAUST	8							
13	2	129907-11120	SPRING, VALVE	16							
14	2	119620-11180	RETAINER, SPRING	16							
15	2	119803-11340	SEAL, VALVE STEM	8							
16	2	124160-11340	SEAL, VALVE STEM	8							
17	2	129907-11510	BRIDGE ASSY, VALVE	8							
19	3	129150-11750	NUT, M8	8							
20	3	123907-11830	ADJUSTER	8							
21	2	123907-11820	GUIDE, BRIDGE	8							
22	2	27310-070001	COTTER, 7	16							
24	1	119802-11870	PROTECTOR, NOZZLE	4							
25	1	119625-11880	SEAT, NOZZLE	4							
26	1	129907-11910	RETAINER, NOZZLE	4							
27	1	129907-11950	BOLT, M8X75	4							
28	1	24311-000120	O-RING, 1AP12.0	4							
29	1	119593-11301	BOLT, STUD M8X80	2							
30	1	129907-11341	SHAFT ASSY, ROCKER	1							
31	2	129907-11250	SHAFT, ROCKER ARM	1							
32	2	129907-11260	SUPPORT, ROCKER ARM	3							
33	2	129907-11270	SUPPORT, ROCKER ARM	2							
34	2	123907-11280	WASHER	8							
35	2	129907-11650	ARM ASSY, ROCKER	4							
37	3	129150-11230	SCREW, VALVE ADJUST	4							
38	3	129150-11750	NUT, M8	4							
39	2	129907-11660	ARM ASSY, ROCKER	4							
41	3	129150-11230	SCREW, VALVE ADJUST	4							
42	3	129150-11750	NUT, M8	4							
43	2	129907-11920	RETAINER, NOZZLE	4							
44	2	26226-080222	STUD, M8X 22	2							
45	1	26106-080402	BOLT, M8X 40 PLATED	2							
46	1	26106-080602	BOLT, M8X 60 PLATED	4							
47	1	26106-080602	BOLT, M8X 60 PLATED	2							
48	1	26306-080002	NUT, M8	2							
49	1	124160-01751	CAP, FILLER	1							
50	1	124160-11360	KNOB	4							
51	1	129949-11400	BONNET ASSY	1							
52	2	123907-03100	DIAPHRAGM	1							
53	2	123907-03110	PLATE	1							
54	2	123907-03120	PLATE, BREATHER	1							
55	2	123907-03140	SPRING, DIAPHRAGM	1							
56	2	129949-03170	PLATE, BAFFLE	1							
57	3	129978-03030	SPRING, PLATE	1							
58	3	129949-03140	BAFFLE	1							
59	3	26587-050102	SCREW, M5X10	1							
60	2	129933-11310	GASKET, BONNET	1							

Remarks
(1)Spare part.

Fig.4. CYLINDER HEAD & BONNET



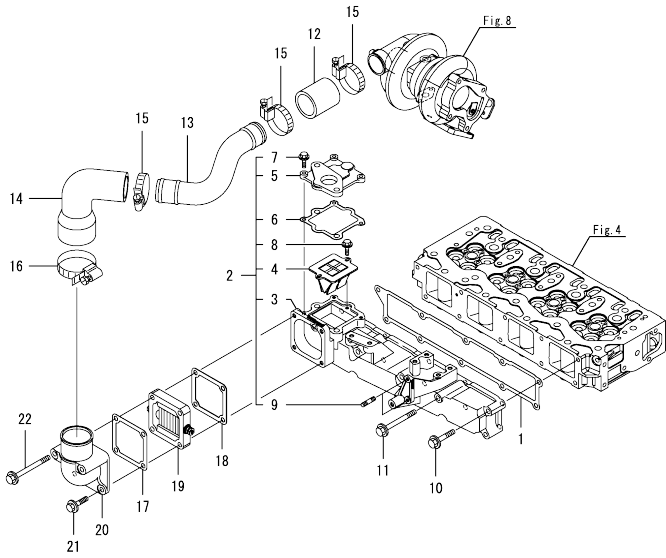
(A)=4TNV98T-ZXNDI
(B)=
(C)=

(D)=
(E)=
(F)=

No.	Lev.	Parts No.	Description	Q'ty						I	R
				(A)	(B)	(C)	(D)	(E)	(F)		
61	2	119100-11330	ELBOW, BREATHER	1							
63	2	129509-79700	CLAMP, 140-M6	2							
64	2	22857-500100	SCREW, 5X10	6							
65	2	22857-500100	SCREW, 5X10	6							
66	2	26106-060122	BOLT, M6X 12 PLATED	2							
67	1	24311-000120	O-RING, 1AP12.0	4							
68	1	24311-000320	O-RING, 1AP32.0	1							
69	1	129907-07900	LIFTER, ENGINE	1							
70	1	129948-07900	LIFTER, ENGINE	1							
71	1	26106-080162	BOLT, M8X 16 PLATED	2							
72	1	26106-080202	BOLT, M8X 20 PLATED	2							
73	1	129907-11800	GUIDE, VALVE	16							1

Remarks
(1)Spare part.

Fig.5. SUCTION MANIFOLD

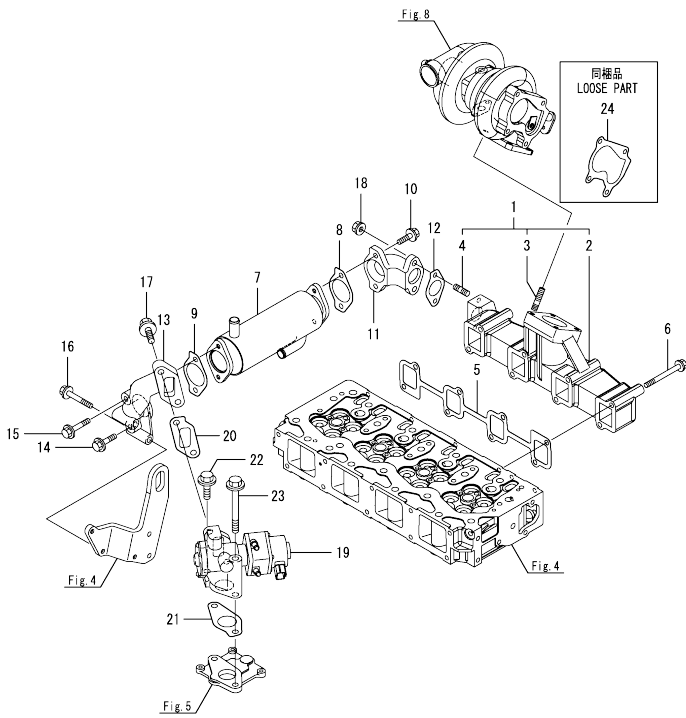


(A)=4TNV98T-ZXNDI
(B)=
(C)=

(D)=
(E)=
(F)=

No.	Lev.	Parts No.	Description	Q'ty						
				(A)	(B)	(C)	(D)	(E)	(F)	
1	1	129907-12110	GASKET, MANIFOLD	1						
2	1	129928-12150	MANIFOLD ASSY,INTAKE	1						
3	2	129928-12100	MANIFOLD, AIR INTAKE	1						
4	2	129928-13700	VALVE, LEAD	1						
5	2	129928-13710	SPACER, EGR VALVE	1						
6	2	129928-13720	GASKET	1						
7	2	26106-060202	BOLT, M6X 20 PLATED	3						
8	2	26106-060202	BOLT, M6X 20 PLATED	2						
9	2	26216-060202	STUD, M6X 20	2						
10	1	26106-080452	BOLT, M8X 45 PLATED	6						
11	1	26106-080802	BOLT, M8X 80 PLATED	4						
12	1	129945-18210	JOINT, RUBBER	1						
13	1	129949-18220	DUCT, AIR	1						
14	1	129949-18230	JOINT, SUCTION	1						
15	1	23000-054000	CLAMP, 54	3						
16	1	23000-070000	CLAMP, 70	1						
17	1	119129-77020	GASKET	1						
18	1	121850-77021	GASKET, AIR HEATER	1						
19	1	119005-77051	HEATER, AIR	1						
20	1	119129-77520	BEND	1						
21	1	26106-080402	BOLT, M8X 40 PLATED	2						
22	1	26106-080902	BOLT, M8X 90 PLATED	2						

Fig.6. EXHAUST MANIFOLD

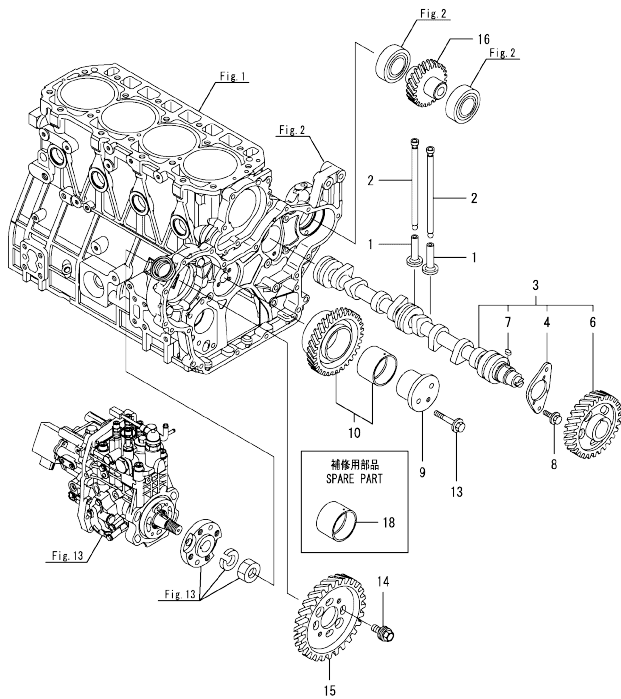


(A)=4TNV98T-ZXNDI
(B)=
(C)=

(D)=
(E)=
(F)=

No.	Lev.	Parts No.	Description	Q'ty						I	R
				(A)	(B)	(C)	(D)	(E)	(F)		
1	1	129948-13150	MANIFOLD ASSY, EXH.	1							
2	2	129948-13100	MANIFOLD, EXHAUST	1							
3	2	119131-18320	BOLT, STUD M8X22	4							
4	2	129418-18320	BOLT, STUD M8X20	2							
5	1	129900-13251	GASKET, EXH.MANIFOLD	1							
6	1	123900-13630	BOLT, M8X80	8							
7	1	129928-13400	COOLER ASSY, EGR	1							
8	1	129928-13410	GASKET	1							
9	1	129928-13410	GASKET	1							
10	1	119802-13790	BOLT, M8X25 10.9T	2							
11	1	129948-13800	PIPE, EGR IN	1							
12	1	129927-13810	GASKET	1							
13	1	129948-13810	PIPE, EGR IN	1							
14	1	26106-080352	BOLT, M8X 35 PLATED	1							
15	1	26106-080452	BOLT, M8X 45 PLATED	1							
16	1	26106-080552	BOLT, M8X 55 PLATED	2							
17	1	26106-100252	BOLT, M10X 25 PLATED	2							
18	1	26306-080002	NUT, M8	2							
19	1	129928-13900	VALVE, EGR	1							
20	1	129927-13910	GASKET, EGR	1							
21	1	129927-13920	GASKET, EGR	1							
22	1	26106-100402	BOLT, M10X 40 PLATED	1							
23	1	26106-101052	BOLT, M10X105 PLATED	1							
24	1	123901-18080	GASKET	1							

Fig.7. CAMSHAFT & DRIVING GEAR



(A)=4TNV98T-ZXNDI
(B)=
(C)=

(D)=
(E)=
(F)=

No.	Lev.	Parts No.	Description	Q'ty						I	R
				(A)	(B)	(C)	(D)	(E)	(F)		
1	1	129150-14200	TAPPET	8							
2	1	129907-14400	PUSH-ROD	8							
3	1	129908-14590	CAMSHAFT ASSY	1							
4	2	129150-02450	BEARING, THRUST	1							
6	2	129900-14110	GEAR, CAMSHAFT	1							
7	2	22512-070140	KEY, 7X 14	1							
8	1	26106-080162	BOLT, M8X 16 PLATED	2							
9	1	123900-25060	SHAFT, IDLE GEAR	1							
10	1	129900-25110	GEAR ASSY, IDLE	1							
13	1	26106-080552	BOLT, M8X 55 PLATED	3							
14	1	129953-25300	BOLT	4							
15	1	129907-25900	GEAR, PUMP	1							
16	1	129900-26030	GEAR ASSY, PUMP	1							
18	1	129150-25920	BUSH, IDLE GEAR	1							1

Remarks
(1)Spare part.

0CW10-M76300 4TNV98T-ZXNDI

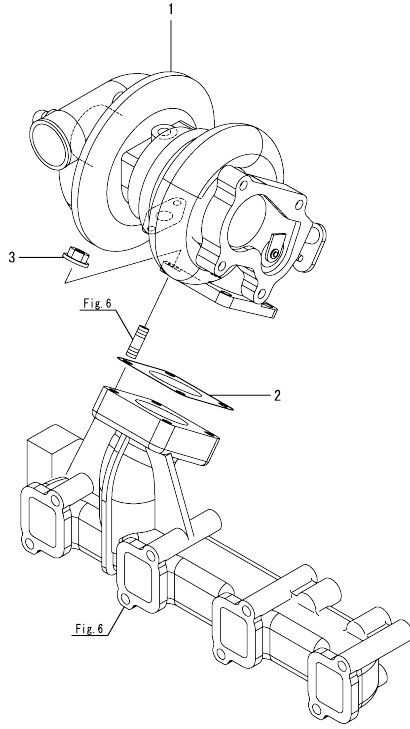
Fig.8. TURBINE

0CW10-M76300 Fig.8

(A)=4TNV98T-ZXNDI
(B)=
(C)=

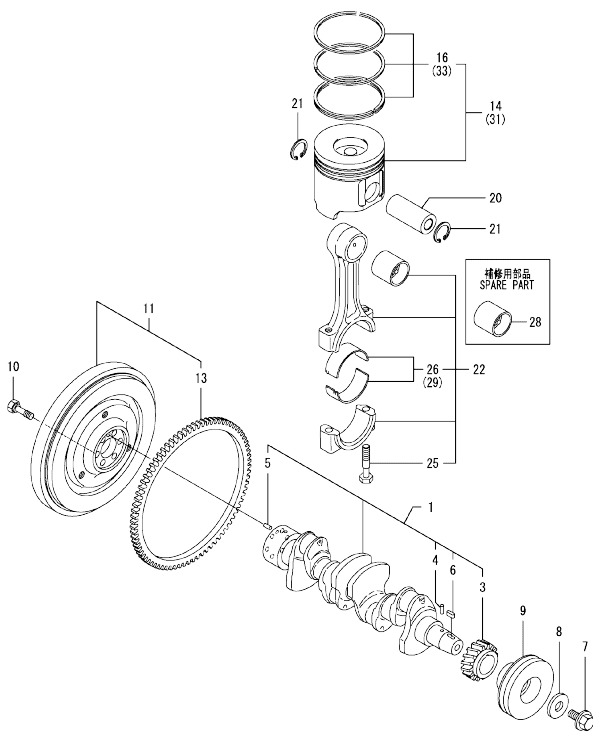
(D)=
(E)=
(F)=

No.	Lev.	Parts No.	Description	Q'ty							
				(A)	(B)	(C)	(D)	(E)	(F)		
1	1	129928-18010	TURBOCHARGER, RHF5	1							
2	1	129472-18090	GASKET	1							
3	1	26306-080002	NUT, M8	4							



N:Old $\frac{100}{100}$ New. Q:Old $\frac{100}{100}$ New. R:Old $\frac{100}{100}$ New. S:Old $\frac{100}{100}$ New. W:Add. Z:Discontinued. F:Interchangeable by set. K:Q'ty Change
Copyright (C) YANMAR GLOBAL CS CO., LTD. All Rights Reserved.

Fig.9. CRANKSHAFT & PISTON



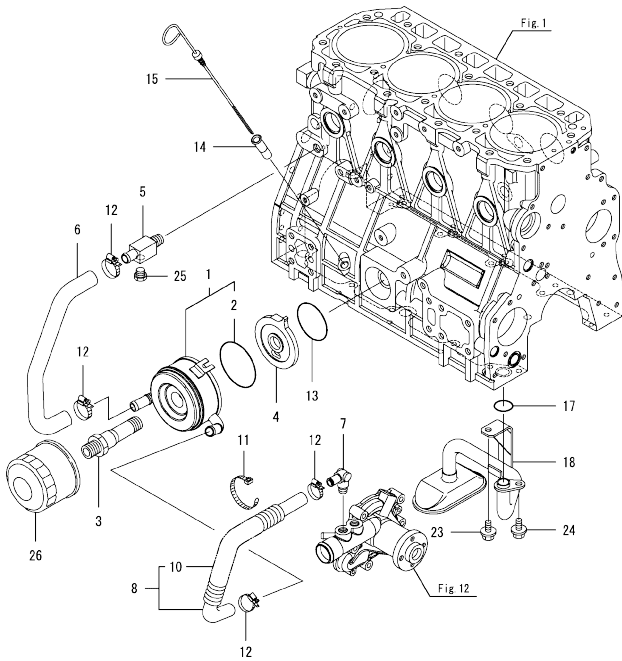
(A)=4TNV98T-ZXNDI
(B)=
(C)=

(D)=
(E)=
(F)=

No.	Lev.	Parts No.	Description	Q'ty						I	R	
				(A)	(B)	(C)	(D)	(E)	(F)			
1	1	129908-21100	CRANKSHAFT ASSY	1								
3	2	129900-21220	GEAR, CRANKSHAFT	1								
4	2	121850-21290	PIN	1								
5	2	121850-21920	PIN, PARALLEL 10X22	1								
6	2	22512-070140	KEY, 7X 14	1								
7	1	129916-21610	BOLT	1								
8	1	129900-21640	WASHER	1								
9	1	129907-21660	V-PULLEY, CRANK 130	1								
10	1	121850-21130	BOLT, FLYWHEEL	6								
11	1	129953-21570	FLYWHEEL ASSY	1								
13	2	129900-21600	GEAR, RING	1								
14	1	129928-22080	PISTON ASSY	4								
16	2	129927-22050	RING SET, PISTON	4								
20	1	120130-22301	PIN, PISTON	4								
21	1	22252-000300	RING, 30	8								
22	1	129900-23001	ROD ASSY, CONNECTING	4								
25	2	129900-23200	BOLT, CONNECTING ROD	8								
26	2	129900-23601	BEARING, CRANK PIN	4								
28	1	129900-23911	BEARING, PISTON PIN	4								1
29	1	129900-23611	BEARING ASSY, 0.25US	4								2
31	1	729928-22900	PISTON ASSY, 0.25 OS	4								3
33	2	729927-22950	RING SET, 0.25 OS	4								3

Remarks
(1)Spare part.
(2)Under-sized(U.S.=0.25)part.
(3)Over-sized(O.S.=0.25)part.

Fig.10. LUB. OIL SYSTEM



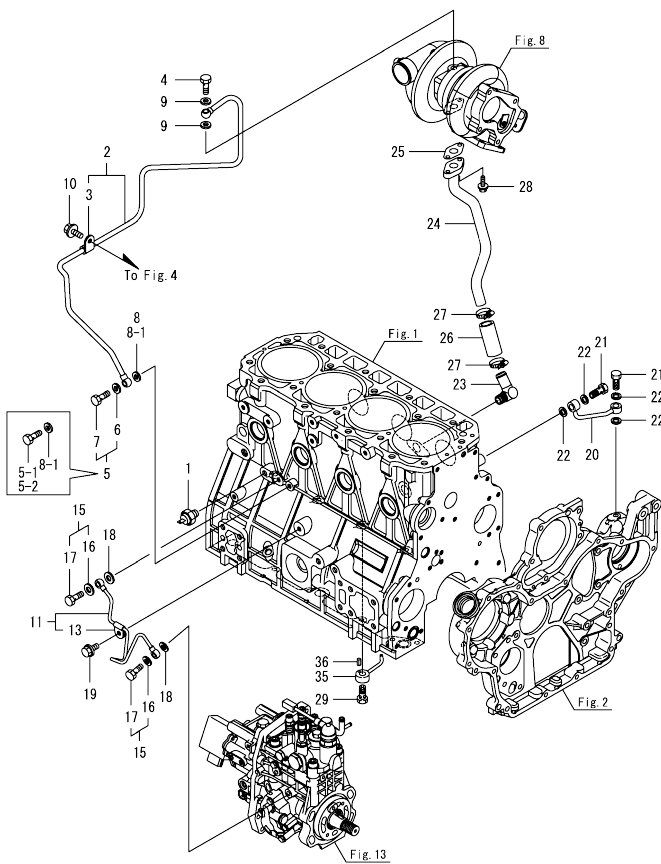
(A)=4TNV98T-ZXNDI
(B)=
(C)=

(D)=
(E)=
(F)=

No.	Lev.	Parts No.	Description	Q'ty						I	R
				(A)	(B)	(C)	(D)	(E)	(F)		
1	1	129908-33010	COOLER ASSY, OIL	1							
2	2	123912-33050	O-RING	1							
3	1	123912-33100	BOLT, COOLER	1							
4	1	129908-33101	BRACKET, OIL COOLER	1							
5	1	129006-44480	JOINT	1							
6	1	129908-49060	HOSE, WATER	1							
7	1	129466-49300	ELBOW, PT3/8	1							
8	1	123910-49600	HOSE ASSY WATER	1							
10	2	123910-49610	TUBE, CORRUGATED	1							
11	1	121750-59890	BAND, NYLON	1							
12	1	23000-025000	CLAMP, 25	4							
13	1	24321-000600	O-RING, 1AG60.0	1							
14	1	121520-34810	GUIDE, DIPSTICK	1							
15	1	129953-34830	DIPSTICK	1							
17	1	129900-32030	O-RING, P20	1							
18	1	129953-35000	PIPE ASSY, OIL INLET	1							
23	1	26106-080122	BOLT, M8X 12 PLATED	1							
24	1	26106-080162	BOLT, M8X 16 PLATED	1							
25	1	171056-49120	PLUG, DRAIN R1/4	1							
26	1	129150-35153	FILTER ASSY, D80X80L	1							1

Remarks
(1)Spare part.

Fig.11. LUB. OIL LINE

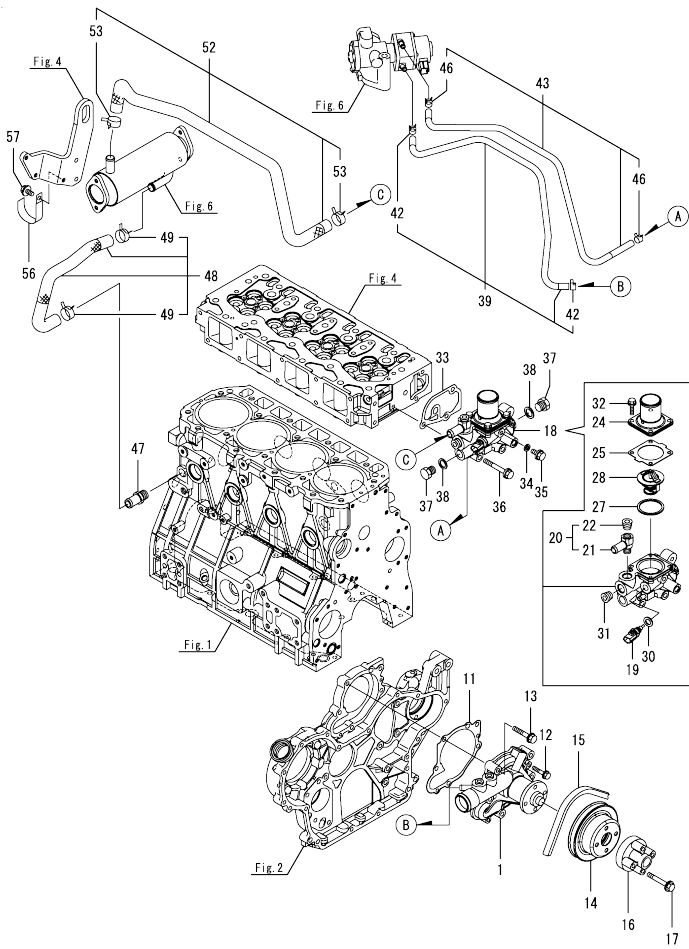


(A)=4TNV98T-ZXNDI
(B)=
(C)=

(D)=
(E)=
(F)=

No.	Lev.	Parts No.	Description	Qty						I	R
				(A)	(B)	(C)	(D)	(E)	(F)		
1	1	119761-39450	SWITCH, HYDRAULIC	1							
2	1	129949-39060	PIPE ASSY, OIL	1							
3	2	124223-39900	RETAINER	1							
4	1	121252-39150	BOLT, JOINT M10X1.5	1							
5	1	129005-59830	BOLT ASSY, JOINT M8	1							
5-1	1	105010-39140	BOLT, PIPE JOINT M8	1							S
(A=2016.08)											
5-2	1	129198-59540	BOLT, PIPE JOINT M8	1							S
(A=2020.06)											
6	2	22190-080002	WASHER, SEAL 6	1							Z
(A=2016.08)											
7	2	23857-030000	BOLT, JOINT 3	1							Z
(A=2016.08)											
8	1	22190-080002	WASHER, SEAL 6	1							
8-1	1	22190-080002	WASHER, SEAL 8	2							K
(A=2016.08)											
9	1	23414-100000	GASKET, 10X1.0	2							
10	1	26106-080122	BOLT, M8X 12 PLATED	1							
11	1	129927-39060	PIPE ASSY, OIL	1							
13	2	123907-39500	RETAINER, PIPE	1							
15	1	129005-59830	BOLT ASSY, JOINT M8	2							
16	2	22190-080002	WASHER, SEAL 6	2							
17	2	23857-030000	BOLT, JOINT 3	2							
18	1	22190-080002	WASHER, SEAL 6	2							
19	1	26106-080122	BOLT, M8X 12 PLATED	1							
20	1	129930-39050	PIPE, OIL	1							
21	1	105010-39140	BOLT, PIPE JOINT	2							
22	1	22190-080002	WASHER, SEAL 6	4							
23	1	124070-13300	ELBOW, PT3/8	1							
24	1	129974-39600	PIPE ASSY, OIL	1							
25	1	129908-39690	GASKET	1							
26	1	123901-39820	HOSE, LO RETURN	1							
27	1	23000-025000	CLAMP, 25	2							
28	1	26106-060162	BOLT, M6X 16 PLATED	2							
29	1	129908-39410	VALVE ASSY, CHECK	4							
35	1	119000-39650	NOZZLE, COOLING	4							
36	1	22351-030010	PIN, SPRING 3.0X10	4							

Fig.12. COOLING WATER SYSTEM



(A)=4TNV98T-ZXNDI
(B)=
(C)=

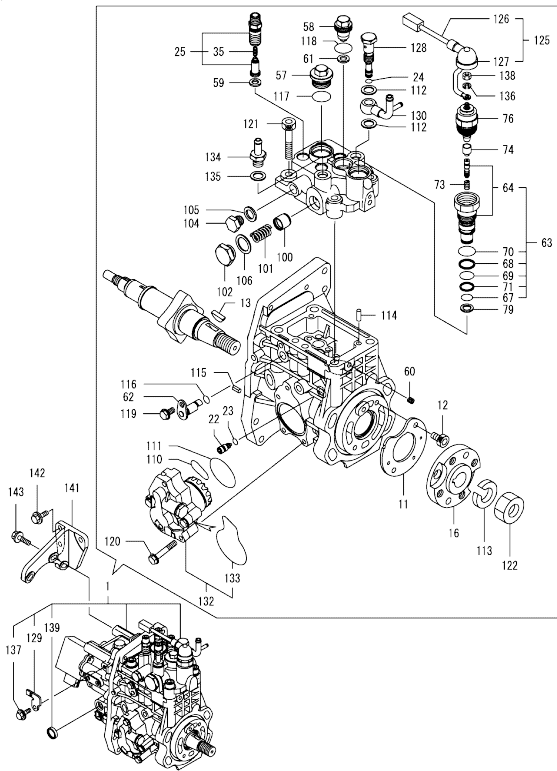
(D)=
(E)=
(F)=

No.	Lev.	Parts No.	Description	Q'ty						I	R
				(A)	(B)	(C)	(D)	(E)	(F)		
1	1	129927-42000	PUMP ASSY, WATER	1							
11	1	129900-42020	GASKET, WATER PUMP	1							
12	1	26106-060302	BOLT, M6X 30 PLATED	2							
13	1	26106-080552	BOLT, M8X 55 PLATED	5							
14	1	129900-42462	V-PULLEY, PUMP	1							
15	1	25132-004150	V-BELT, A41.5	1							
16	1	119141-44760	SPACER, FAN	1							
17	1	26106-080552	BOLT, M8X 55 PLATED	4							
18	1	129928-49800	CASE ASSY, THERMOSTAT	1							
19	2	129927-44900	SENSOR, WATER TEMP.	1							
20	2	129928-49400	JOINT ASSY	1							
21	3	129928-49410	JOINT	1							
22	3	23875-030000	PLUG, R03	1							
24	2	129916-49530	COVER, THERMOSTAT	1							
25	2	121850-49540	GASKET, THERMOSTAT	1							
27	2	121850-49550	GASKET, THERMOSTAT	1							
28	2	121850-49811	THERMOSTAT, 71C	1							
30	2	22190-120002	WASHER, SEAL 12	1							
31	2	23875-030000	PLUG, R03	1							
32	2	26106-060202	BOLT, M6X 20 PLATED	4							
33	1	129900-49870	GASKET, THERMOSTAT	1							
34	1	23414-080000	GASKET, 8X1.0	1							
35	1	26106-080122	BOLT, M8X 12 PLATED	1							
36	1	26106-080602	BOLT, M8X 60 PLATED	3							
37	1	121450-42450	PLUG, M16	2							
38	1	124465-44950	GASKET, 16	2							
39	1	129927-49610	HOSE ASSY, WATER	1							
42	2	23080-012000	CLAMP, 12	2							
43	1	129927-49620	HOSE ASSY, WATER	1							
46	2	23080-012000	CLAMP, 12	2							
47	1	129928-49420	JOINT	1							
48	1	129948-49610	HOSE ASSY, WATER	1							
49	2	129960-03990	CLAMP, HOSE 19.8	2							
52	1	129948-49620	HOSE ASSY, WATER	1							
53	2	129960-03990	CLAMP, HOSE 19.8	2							
56	1	129928-79700	CLAMP, 150-M8	1							
57	1	26106-080122	BOLT, M8X 12 PLATED	1							

Fig.13. FUEL INJECTION PUMP

(A)=4TNV98T-ZXNDI
(B)=
(C)=

(D)=
(E)=
(F)=



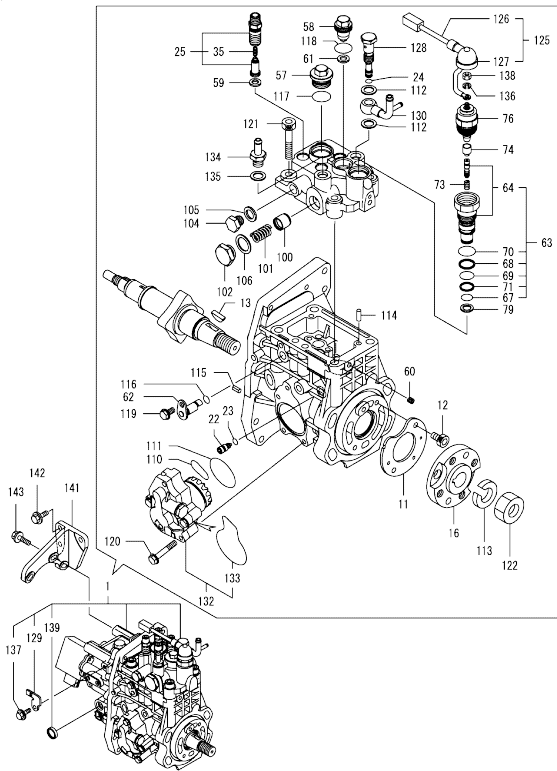
No.	Lev.	Parts No.	Description	Q'ty						I	R
				(A)	(B)	(C)	(D)	(E)	(F)		
1	1	729948-51410	FIE ASSY	1							1
11	2	129928-51900	COVER	1							
12	2	129008-51920	BOLT, SOCKET M6X10	2							
13	2	144626-51090	FEATHER KEY, 5X19	1							
16	2	158563-51150	FLANGE	1							
22	2	158600-51270	STOPPER, TAPPET	1							
23	2	158563-51281	O-RING, 4D S6	1							
24	2	158563-51281	O-RING, 4D S6	1							
25	2	129928-51390	VALVE ASSY, DELIVERY	4							
35	3	158563-51330	SPRING, DELIVERY	4							
57	2	158601-51550	PLUG, M22	1							
58	2	129907-51560	PLUG, M16	1							
59	2	158552-51571	GASKET, PLUG	4							
60	2	158557-51570	PLUG, RACK	1							
61	2	129906-51580	GASKET, PLUG	1							
62	2	158552-51580	LIFTER, LINK	1							
63	2	129657-51590	TIMER ASSY	1							
64	3	129657-51600	TIMER ASSY	1							
67	3	158553-51670	O-RING	1							
68	3	119802-51680	RING, BACKUP	1							
69	3	119802-51690	O-RING	1							
70	3	24356-190200	O-RING, 4D19020	1							
71	3	24372-000150	RING, BACK UP T2P15	1							
73	2	119852-51630	SPRING, TIMER	1							
74	2	119852-51640	CAP, TIMER	1							
76	2	119852-51650	VALVE ASSY, SOLENOID	1							
79	2	158553-51680	GASKET, TIMER	1							
100	2	158601-51770	PISTON, ACCUMULATOR	1							
101	2	158552-51781	SPRING, ACCUMULATOR	1							
102	2	158601-51790	PLUG	1							
104	2	158553-51930	PLUG, M12	1							
105	2	22190-120002	WASHER, SEAL 12	1							
106	2	22190-180002	WASHER, SEAL 18	1							
110	2	158552-52311	O-RING	1							
111	2	158552-52400	O-RING, 4E S42	1							
112	2	22190-120002	WASHER, SEAL 12	2							
113	2	22217-180000	WASHER, SPRING 18	1							
114	2	22312-050140	PIN, PARALLEL M5X14	2							
115	2	22351-050010	PIN, SPRING 5.0X10	2							
116	2	24311-000070	O-RING, 1AP7.0	1							
117	2	24356-190200	O-RING, 4D19020	1							
118	2	24356-240210	O-RING, 4D24021	1							
119	2	26106-060102	BOLT, M6X 10 PLATED	1							
120	2	26106-060352	BOLT, M6X 35 PLATED	4							
121	2	26450-100452	BOLT, M10X 45	4							
122	2	26776-180002	NUT, LOCK M18	1							
125	2	129927-51650	HARNES ASSY, WIRE	1							
126	3	129927-51660	HARNES	1							
127	3	129263-77941	CAP, RUBBER	1							
128	2	158601-51650	JOINT, OVER FLOW	1							
129	2	129927-51670	BRACKET	1							

Remarks
(1)Governor(Fig.14)is incorporated in this Fuel Injection Pump (Ref.1).
(1)Eco Pump
Make sure to update the engines ECU information when replacing the Eco Pump.
Failing to do so will result in engine malfunction.

Fig.13. FUEL INJECTION PUMP

(A)=4TNV98T-ZXNDI
(B)=
(C)=

(D)=
(E)=
(F)=



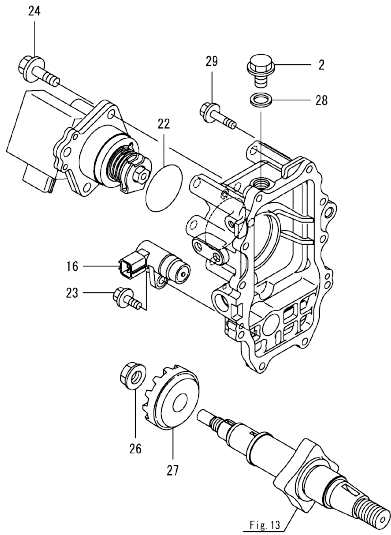
No.	Lev.	Parts No.	Description	Qty						I	R	
				(A)	(B)	(C)	(D)	(E)	(F)			
130	2	158552-51670	JOINT, OVER FLOW	1								
132	2	158552-52100	PUMP ASSY, FUEL FEED	1								
133	3	158552-52500	O-RING	1								
134	2	119934-59910	JOINT, PIPE	1								
135	2	22190-120002	WASHER, SEAL 12	1								
136	2	22217-050000	WASHER, SPRING 5	1								
137	2	26106-060122	BOLT, M6X 12 PLATED	1								
138	2	26716-050002	NUT, M5	1								
139	2	27241-160000	PLUG, 16	1								
141	1	129927-51250	RETAINER, PUMP	1								
142	1	26106-080202	BOLT, M8X 20 PLATED	3								
143	1	26106-080302	BOLT, M8X 30 PLATED	3								

Remarks

(1)Governor(Fig.14)is incorporated in this Fuel Injection Pump (Ref.1).
(1)Eco Pump
Make sure to update the engines ECU information when replacing the Eco Pump.
Failing to do so will result in engine malfunction.

0CW10-M76300 4TNV98T-ZXNDI
 Fig.14. GOVERNOR

0CW10-M76300 Fig.14



(A)=4TNV98T-ZXNDI
 (B)=
 (C)=

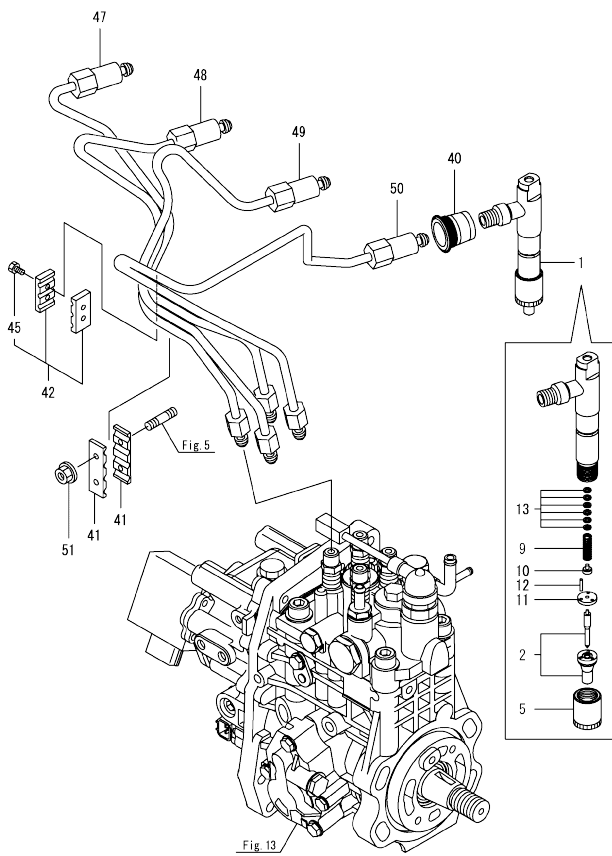
(D)=
 (E)=
 (F)=

No.	Lev.	Parts No.	Description	Q'ty						I	R
				(A)	(B)	(C)	(D)	(E)	(F)		
2	2	158553-51930	PLUG, M12	1							
16	2	158557-61720	SENSOR	1							
22	2	24341-000480	O-RING, 1AS48.0	1							
23	2	26106-060162	BOLT, M6X 16 PLATED	1							
24	2	26106-080252	BOLT, M8X 25 PLATED	3							
26	2	129008-61301	NUT	1							
27	2	158553-61780	GEAR, SENSOR	1							
28	2	22190-120002	WASHER, SEAL 12	1							
29	2	26106-060252	BOLT, M6X 25 PLATED	10							

Remarks
 *This figure(Governor)is incorporated
 in the Fuel Injection Pump (Fig.13).

N:Old $\frac{100}{100}$ New, Q:Old $\frac{100}{100}$ New, R:Old $\frac{100}{100}$ New, S:Old $\frac{100}{100}$ New, W:Add, Z:Discontinued, F:Interchangeable by set, K:Q'ty Change
 Copyright (C) YANMAR GLOBAL CS CO., LTD. All Rights Reserved.

Fig.15. FUEL INJECTION VALVE

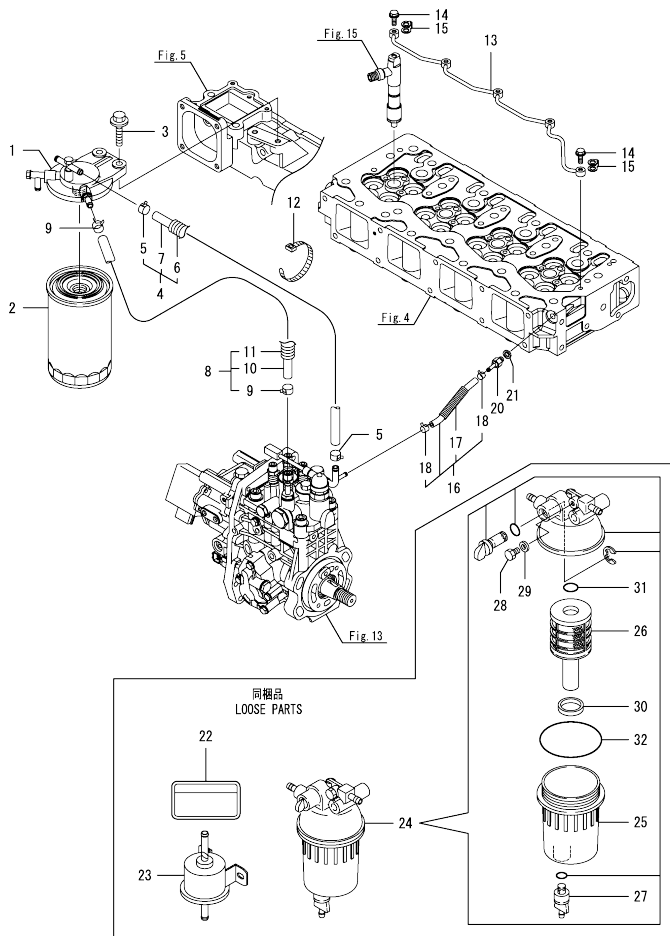


(A)=4TNV98T-ZXNDI
(B)=
(C)=

(D)=
(E)=
(F)=

No.	Lev.	Parts No.	Description	Q'ty					
				(A)	(B)	(C)	(D)	(E)	(F)
1	1	729928-53100	FUEL INJECTOR ASSY	4					
2	2	129928-53000	NOZZLE ASSY, F.I.	4					
5	2	114250-53080	NUT, NOZZLE	4					
9	2	114250-53120	SPRING, NOZZLE	4					
10	2	114250-53130	SEAT, SPRING	4					
11	2	114250-53140	SPACER	4					
12	2	114250-53210	PIN	8					
13	2	119803-53400	SHIM SET	4					
40	1	123907-11601	SEAL, PIPE	4					
41	1	123472-59120	RETAINER, PIPE	2					
42	1	129150-59120	RETAINER, PIPE	1					
45	2	129150-59131	BOLT, M4X14	2					
47	1	129927-59810	PIPE ASSY, INJECTION	1					
48	1	129927-59820	PIPE ASSY, INJECTION	1					
49	1	129927-59830	PIPE ASSY, INJECTION	1					
50	1	129927-59840	PIPE ASSY, INJECTION	1					
51	1	26366-060002	NUT, M6	2					

Fig.16. FUEL LINE



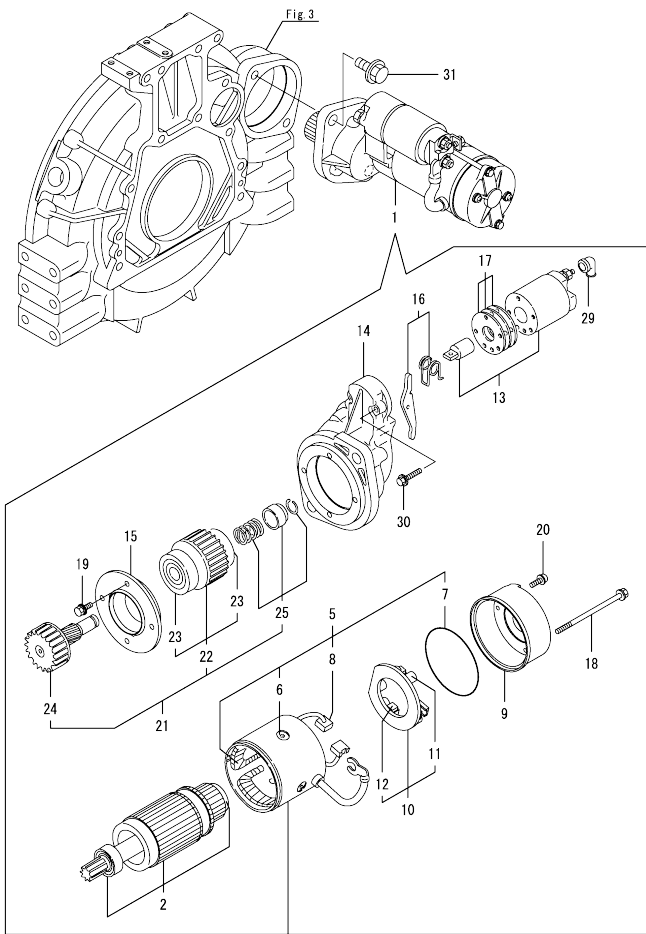
(A)=4TNV98T-ZXNDI
(B)=
(C)=

(D)=
(E)=
(F)=

No.	Lev.	Parts No.	Description	Qty						I	R	
				(A)	(B)	(C)	(D)	(E)	(F)			
1	1	129004-55612	BRACKET, FILTER	1								
2	1	129907-55801	FILTER, FUEL	1								
3	1	26106-080302	BOLT, M8X 30 PLATED	2								
4	1	129457-59010	HOSE ASSY, FUEL	1								
5	2	124766-59050	CLAMP, HOSE 11.5	2								
6	2	129957-59120	TUBE, CORRUGATED 15	1								
7	2	105025-59750	HOSE, FUEL	1								
8	1	129961-59310	HOSE ASSY, FUEL	1								
9	2	124766-59050	CLAMP, HOSE 11.5	2								
10	2	129136-59110	HOSE, D13/7.5X270	1								
11	2	129961-59110	TUBE, CORRUGATED 15	1								
12	1	121750-59890	BAND, NYLON	1								
13	1	129907-59140	PIPE ASSY, RETURN	1								
14	1	123907-59540	BOLT, PIPE JOINT M6	5								
15	1	123907-59550	GASKET	5								
16	1	129927-59550	HOSE ASSY RETURN	1								
17	2	129263-49750	TUBE, CORRUGATED	1								
18	2	124722-59050	CLAMP, HOSE 9	2								
20	1	123907-59560	JOINT, HOSE	1								
21	1	22190-080002	WASHER, SEAL 6	1								
22	1	114110-07761	LABEL, FUEL OIL CAUT	1								
23	1	119225-52102	PUMP, FUEL FEED	1								
24	1	129242-55701	SEPARATOR ASSY, WATER	1								
25	2	129242-55720	CUP, SEPARATOR	1								
26	2	129242-55730	ELEMENT, FUEL	1								
27	2	129242-55740	PLUG, DRAIN	1								
28	2	129242-55750	VALVE, AIR VENT	1								
29	2	129242-55760	GASKET, PLUG	1								
30	2	129242-55770	FLOAT	1								
31	2	24311-000160	O-RING, 1AP16.0	1								
32	2	24321-000750	O-RING, 1AG75.0	1								

N:Old $\frac{100}{100}$ New, Q:Old $\frac{100}{100}$ New, R:Old $\frac{100}{100}$ New, S:Old $\frac{100}{100}$ New, W:Add, Z:Discontinued, F:Interchangeable by set, K:Qty Change
Copyright (C) YANMAR GLOBAL CS CO., LTD. All Rights Reserved.

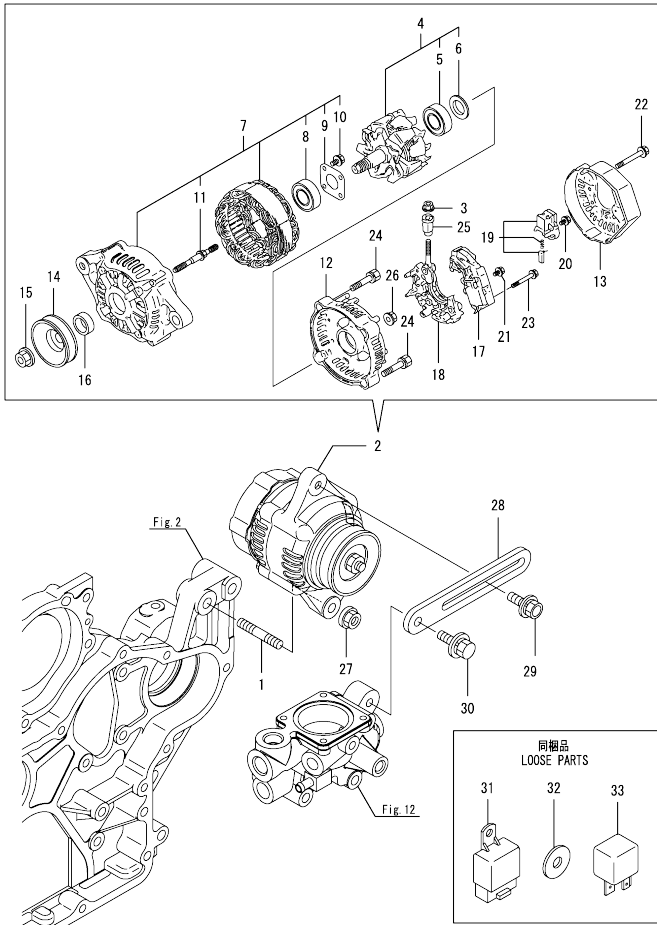
Fig.17. STARTING MOTOR



(A)=4TNV98T-ZXNDI
(B)=
(C)=

(D)=
(E)=
(F)=

No.	Lev.	Parts No.	Description	Qty						I	R
				(A)	(B)	(C)	(D)	(E)	(F)		
1	1	129940-77011	STARTER ASSY	1							
2	2	129940-77100	ARMATURE ASSY	1							
5	2	129940-77130	COIL ASSY, FIELD	1							
6	3	129940-77140	SCREW, CORE SET	4							
7	3	129940-77150	O-RING	1							
8	3	129940-77160	BRUSH	2							
9	2	129940-77171	COVER	1							
10	2	129940-77181	HOLDER ASSY, BRUSH	1							
11	3	129940-77190	SPRING, BRUSH	1							
12	3	129940-77200	BRUSH	2							
13	2	129940-77210	SWITCH ASSY, MAGNET	1							
14	2	129940-77221	CASE, GEAR	1							
15	2	129940-77230	RETAINER, BEARING	1							
16	2	129940-77240	LEVER SET	1							
17	2	129940-77250	COVER KIT, DUST	1							
18	2	129940-77260	BOLT, THROUGH	2							
19	2	129940-77270	BOLT	4							
20	2	129940-77280	SCREW	2							
21	2	123900-77510	PINION ASSY	1							
22	3	123900-77520	CLUTCH ASSY	1							
23	4	X2240610100	BEARING, BALL	2							
24	3	123900-77540	SHAFT, PINION	1							
25	3	119131-77550	STOPPER SET, PINION	1							
29	2	121254-77810	COVER, TERMINAL	1							
30	2	114371-79070	BOLT	2							
31	1	26106-120252	BOLT, M12X 25 PLATED	2							

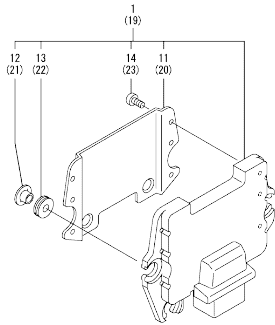


(A)=4TNV98T-ZXNDI
 (B)=
 (C)=

(D)=
 (E)=
 (F)=

No.	Lev.	Parts No.	Description	Qty						I	R
				(A)	(B)	(C)	(D)	(E)	(F)		
1	1	129795-01900	BOLT, STUD M10X33	1							
2	1	119626-77210	ALTERNATOR, 12V-55A	1							
3	2	X9490561001	NUT	1							
4	2	129052-77380	ROTOR ASSY	1							
5	3	123501-79240	BEARING, BALL	1							
6	3	119620-79250	COVER, BEARING	1							
7	2	129052-77422	FRAME ASSY	1							
8	3	119620-79200	BEARING, BALL	1							
9	3	119620-79210	RETAINER	1							
10	3	119620-79220	SCREW	4							
11	3	119620-79230	BOLT, STUD	2							
12	2	128401-77440	COVER	1							
13	2	119626-77450	FRAME	1							
14	2	119620-77461	PULLEY, GENERATOR	1							
15	2	119620-77471	NUT	1							
16	2	119620-77490	COLLAR	1							
17	2	119626-77710	REGULATOR ASSY	1							
18	2	129052-79260	HOLDER	1							
19	2	129052-79270	HOLDER, BRUSH	1							
20	2	119620-79290	SCREW	6							
21	2	119620-79300	SCREW	1							
22	2	119620-79310	BOLT	3							
23	2	119620-79320	SCREW	2							
24	2	119620-79330	BOLT	2							
25	2	119620-79340	BUSH, INSULATION	1							
26	2	119620-79350	NUT	2							
27	1	26306-100002	NUT, M10	1							
28	1	129988-77330	ADJUSTER, BELT	1							
29	1	119810-77340	BOLT, ADJUST L=30	1							
30	1	26014-080252	BOLT, M8X 25	1							
31	1	198461-52950	RELAY, CA TYPE C	3							
32	1	129927-77690	WASHER, ECU	3							
33	1	129927-77920	RELAY, ISO 70A	1							

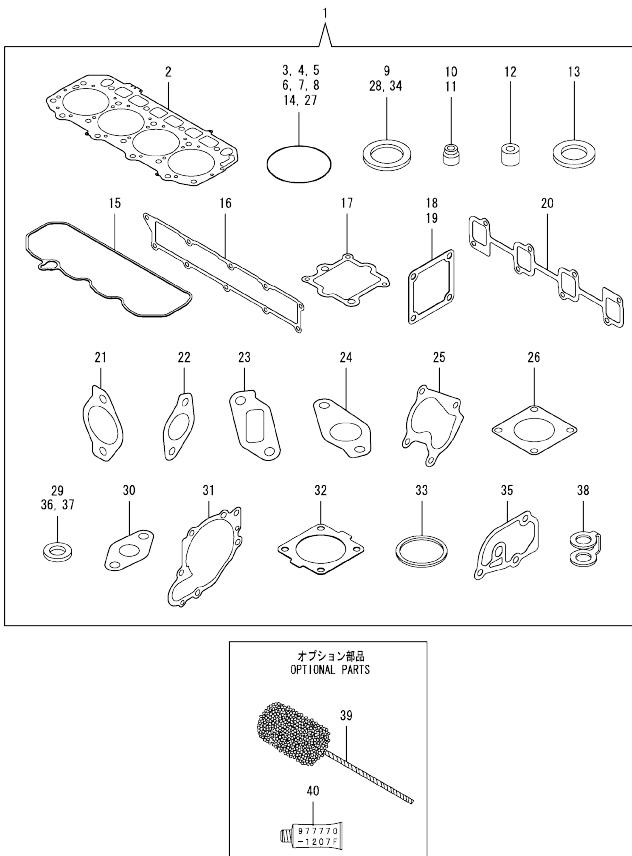
Fig.19. ELECTRONIC CONTROL UNIT (ECU)



No.	Lev.	Parts No.	Description	Q'ty						I	R
				(A)	(B)	(C)	(D)	(E)	(F)		
1	1	129948-75220	ECU ASSY,4V98T-ZXNDI	1							1
11	2	129927-77600	SHIELD, ECU	1							
12	2	129927-77680	COLLAR, CONTROL	3							
13	2	119578-91351	ABSORBER	3							
14	2	22877-500080	SCREW, 5X 8	6							
19	1	129927-75900	ECU ASSY, SERVICE	1							2
20	2	129927-77600	SHIELD, ECU	1							
21	2	129927-77680	COLLAR, CONTROL	3							
22	2	119578-91351	ABSORBER	3							
23	2	22877-500080	SCREW, 5X 8	6							

Remarks
 (1)Eco ECU
 This part cannot be ordered.
 Replace the part using a Service ECU with the proper engine information installed.
 (2)Service ECU
 If the proper information is not installed, the engine will not operate.
 To install proper information, go to an authorized Distributor.

Fig.20. GASKET SET



No.	Lev.	Parts No.	Description	Qty						I	R	
				(A)	(B)	(C)	(D)	(E)	(F)			
1	1	729928-92660	GASKET SET	1							1	
2	2	129907-01331	GASKET, HEAD	1								
3	2	129900-32030	O-RING, P20	2								
4	2	129900-32040	O-RING, P14	1								
5	2	24311-000070	O-RING, 1AP7.0	1								
6	2	24351-030750	O-RING, 1A3075	1								
7	2	24311-000320	O-RING, 1AP32.0	2								
8	2	24321-000850	O-RING, 1AG85.0	1								
9	2	22190-220002	WASHER, SEAL 22	1								
10	2	119803-11340	SEAL, VALVE STEM	8								
11	2	124160-11340	SEAL, VALVE STEM	8								
12	2	119802-11870	PROTECTOR, NOZZLE	4								
13	2	119625-11880	SEAT, NOZZLE	4								
14	2	24311-000120	O-RING, 1AP12.0	8								
15	2	129933-11310	GASKET, BONNET	1								
16	2	129907-12110	GASKET, MANIFOLD	1								
17	2	129928-13720	GASKET	1								
18	2	119129-77020	GASKET	1								
19	2	121850-77021	GASKET, AIR HEATER	1								
20	2	129900-13251	GASKET, EXH.MANIFOLD	1								
21	2	129928-13410	GASKET	2								
22	2	129927-13810	GASKET	1								
23	2	129927-13910	GASKET, EGR	1								
24	2	129927-13920	GASKET, EGR	1								
25	2	123901-18080	GASKET	1								
26	2	129472-18090	GASKET	1								
27	2	24321-000600	O-RING, 1AG60.0	1								
28	2	22190-080002	WASHER, SEAL 6	11								
29	2	23414-100000	GASKET, 10X1.0	2								
30	2	129908-39690	GASKET	1								
31	2	129900-42020	GASKET, WATER PUMP	1								
32	2	121850-49540	GASKET, THERMOSTAT	1								
33	2	121850-49550	GASKET, THERMOSTAT	1								
34	2	22190-120002	WASHER, SEAL 12	1								
35	2	129900-49870	GASKET, THERMOSTAT	1								
36	2	23414-080000	GASKET, 8X1.0	1								
37	2	124465-44950	GASKET, 16	2								
38	2	123907-59550	GASKET	5								
39	1	129400-92450	HONE, FLEX	1								1
40	1	977770-1207F	GASKET, LIQUID	1								1

Remarks
(1)Optional parts.

N:Old $\frac{100}{100}$ New, Q:Old $\frac{100}{100}$ New, R:Old $\frac{100}{100}$ New, S:Old $\frac{100}{100}$ New, W:Add, Z:Discontinued, F:Interchangeable by set, K:Qty Change
Copyright (C) YANMAR GLOBAL CS CO., LTD. All Rights Reserved.

Parts No. Index

Parts No.	Fig. No.	Ref. No.
105010-39140	11	5 -1
		21
105025-59750	16	7
114110-07761	16	22
114250-53080	15	5
114250-53120	15	9
114250-53130	15	10
114250-53140	15	11
114250-53210	15	12
114371-79070	17	30
119000-39650	11	35
119005-77051	5	19
119100-11330	4	61
119129-77020	5	17
	20	18
119129-77520	5	20
119131-18320	6	3
119131-77550	17	25
119141-44760	12	16
119225-52102	16	23
119578-91351	19	13
		22
119593-11301	4	29
119620-01750	3	4
119620-11180	4	14
119620-77461	18	14
119620-77471	18	15
119620-77490	18	16
119620-79200	18	8
119620-79210	18	9
119620-79220	18	10
119620-79230	18	11
119620-79250	18	6
119620-79290	18	20
119620-79300	18	21
119620-79310	18	22
119620-79320	18	23
119620-79330	18	24
119620-79340	18	25
119620-79350	18	26
119625-11880	4	25
	20	13
119626-77210	18	2
119626-77450	18	13
119626-77710	18	17
119640-01640	3	9
119761-39450	11	1
119802-11870	4	24
	20	12
119802-13790	6	10

Parts No.	Fig. No.	Ref. No.
119802-51680	13	68
119802-51690	13	69
119803-11340	4	15
	20	10
119803-53400	15	13
119810-77340	18	29
119852-51630	13	73
119852-51640	13	74
119852-51650	13	76
119934-59910	13	134
120130-22301	9	20
121023-26071	2	20
121252-39150	11	4
121254-77810	17	29
121450-42450	12	37
121520-34810	10	14
121750-59890	10	11
	16	12
121850-21130	9	10
121850-21290	9	4
121850-21920	9	5
121850-49540	12	25
	20	32
121850-49550	12	27
	20	33
121850-49811	12	28
121850-77021	5	18
	20	19
123472-59120	15	41
123501-79240	18	5
123900-13630	6	6
123900-25060	7	9
123900-77510	17	21
123900-77520	17	22
123900-77540	17	24
123901-18080	6	24
	20	25
123901-39820	11	26
123907-03100	4	52
123907-03110	4	53
123907-03120	4	54
123907-03140	4	55
123907-11280	4	34
123907-11550	4	1
123907-11601	15	40
123907-11820	4	21
123907-11830	4	20
123907-39500	11	13
123907-59540	16	14
123907-59550	16	15

Parts No.	Fig. No.	Ref. No.
123907-59550	20	38
123907-59560	16	20
123910-49600	10	8
123910-49610	10	10
123912-33050	10	2
123912-33100	10	3
124070-13300	11	23
124160-01751	2	14
	4	49
124160-11340	4	16
	20	11
124160-11360	4	50
124223-39900	11	3
124465-44950	12	38
	20	37
124722-59050	16	18
124766-59050	16	5
		9
128401-77440	18	12
129004-55612	16	1
129005-59830	11	5
		15
129006-44480	10	5
129008-51920	13	12
129008-61301	14	26
129052-77380	18	4
129052-77422	18	7
129052-79260	18	18
129052-79270	18	19
129100-01580	2	1
	3	1
129136-59110	16	10
129150-02450	7	4
129150-11230	4	37
		41
129150-11750	4	19
		38
		42
129150-14200	7	1
129150-25920	7	18
129150-35153	10	26
129150-59120	15	42
129150-59131	15	45
129198-59540	11	5 -2
129242-55701	16	24
129242-55720	16	25
129242-55730	16	26
129242-55740	16	27
129242-55750	16	28
129242-55760	16	29

Parts No.	Fig. No.	Ref. No.
129242-55770	16	30
129263-49750	16	17
129263-77941	13	127
129400-92450	20	39
129418-18320	6	4
129457-59010	16	4
129466-49300	10	7
129472-18090	8	2
	20	26
129509-79700	4	63
129657-51590	13	63
129657-51600	13	64
129795-01900	18	1
129900-01200	1	27
129900-01250	1	4
129900-01620	3	2
129900-01850	2	26
129900-01870	2	27
129900-02020	1	6
129900-02341	1	33
129900-02410	1	9
129900-02931	1	24
129900-02941	1	36
129900-13251	6	5
	20	20
129900-14110	7	6
129900-14140	2	31
129900-21220	9	3
129900-21600	9	13
129900-21640	9	8
129900-23001	9	22
129900-23200	9	25
129900-23601	9	26
129900-23611	9	29
129900-23911	9	28
129900-25110	7	10
129900-26030	7	16
129900-26250	2	32
129900-32030	2	6
	10	17
	20	3
129900-32040	2	7
	20	4
129900-42020	12	11
	20	31
129900-42462	12	14
129900-49870	12	33
	20	35
129906-51580	13	61
129907-01331	1	28

Parts No. Index

Parts No.	Fig. No.	Ref. No.	Parts No.	Fig. No.	Ref. No.	Parts No.	Fig. No.	Ref. No.	Parts No.	Fig. No.	Ref. No.
129907-01331	20	2	129927-49620	12	43	129940-77181	17	10	158553-51930	13	104
129907-07900	4	69	129927-51250	13	141	129940-77190	17	11		14	2
129907-11100	4	11	129927-51650	13	125	129940-77200	17	12	158553-61780	14	27
129907-11110	4	12	129927-51660	13	126	129940-77210	17	13	158557-51570	13	60
129907-11120	4	13	129927-51670	13	129	129940-77221	17	14	158557-61720	14	16
129907-11250	4	31	129927-59550	16	16	129940-77230	17	15	158563-51150	13	16
129907-11260	4	32	129927-59810	15	47	129940-77240	17	16	158563-51281	13	23
129907-11270	4	33	129927-59820	15	48	129940-77250	17	17			24
129907-11341	4	30	129927-59830	15	49	129940-77260	17	18	158563-51330	13	35
129907-11510	4	17	129927-59840	15	50	129940-77270	17	19	158600-51270	13	22
129907-11650	4	35	129927-75900	19	19	129940-77280	17	20	158601-51550	13	57
129907-11660	4	39	129927-77600	19	11	129945-18210	5	12	158601-51650	13	128
129907-11800	4	73			20	129948-07900	4	70	158601-51770	13	100
129907-11910	4	26	129927-77680	19	12	129948-13100	6	2	158601-51790	13	102
129907-11920	4	43			21	129948-13150	6	1	171051-01921	1	5
129907-11950	4	27	129927-77690	18	32	129948-13800	6	11	171056-49120	10	25
129907-12110	5	1	129927-77920	18	33	129948-13810	6	13	198461-52950	18	31
	20	16	129928-11700	4	2	129948-49610	12	48	22190-080002	11	6
129907-14400	7	2	129928-12100	5	3	129948-49620	12	52			8
129907-21660	9	9	129928-12150	5	2	129948-75220	19	1			8 -1
129907-25900	7	15	129928-13400	6	7	129949-03140	4	58			16
129907-51560	13	58	129928-13410	6	8	129949-03170	4	56			18
129907-55801	16	2			9	129949-11400	4	51			22
129907-59140	16	13			20	129949-18220	5	13		16	21
129908-14590	7	3	129928-13700	5	4	129949-18230	5	14		20	28
129908-21100	9	1	129928-13710	5	5	129949-39060	11	2	22190-120002	12	30
129908-32060	2	4	129928-13720	5	6	129951-01740	2	16		13	105
129908-33010	10	1			20	129953-21570	9	11			112
129908-33101	10	4	129928-13900	6	19	129953-25300	7	14			135
129908-39410	11	29	129928-18010	8	1	129953-34830	10	15		14	28
129908-39690	11	25	129928-22080	9	14	129953-35000	10	18		20	34
	20	30	129928-49400	12	20	129957-59120	16	6	22190-180002	13	106
129908-49060	10	6	129928-49410	12	21	129960-03990	12	49	22190-220002	3	11
129916-01710	3	8	129928-49420	12	47			53		20	9
129916-01790	3	7	129928-49800	12	18	129961-59110	16	11	22217-050000	13	136
129916-01800	2	25	129928-51390	13	25	129961-59310	16	8	22217-180000	13	113
129916-21610	9	7	129928-51900	13	11	129974-39600	11	24	22252-000300	9	21
129916-49530	12	24	129928-53000	15	2	129978-03030	4	57	22312-050140	13	114
129927-13810	6	12	129928-79700	12	56	129988-77330	18	28	22351-030010	11	36
	20	22	129930-39050	11	20	144626-51090	13	13	22351-050010	13	115
129927-13910	6	20	129933-01500	2	3	158552-51571	13	59	22351-060012	1	10
	20	23	129933-11310	4	60	158552-51580	13	62	22512-070140	7	7
129927-13920	6	21			20	158552-51670	13	130		9	6
	20	24	129940-77011	17	1	158552-51781	13	101	22857-500100	4	64
129927-22050	9	16	129940-77100	17	2	158552-52100	13	132			65
129927-39060	11	11	129940-77130	17	5	158552-52311	13	110	22877-500080	19	14
129927-42000	12	1	129940-77140	17	6	158552-52400	13	111			23
129927-42140	2	7 A	129940-77150	17	7	158552-52500	13	133	23000-025000	10	12
129927-44900	12	19	129940-77160	17	8	158553-51670	13	67		11	27
129927-49610	12	39	129940-77171	17	9	158553-51680	13	79	23000-054000	5	15

Parts No. Index

Parts No.	Fig. No.	Ref. No.
23000-070000	5	16
23080-012000	12	42
		46
23414-080000	12	34
	20	36
23414-100000	11	9
	20	29
23857-030000	11	7
		17
23875-030000	12	22
		31
23876-020000	4	8
23876-030000	1	11
		12
		13
		29
	4	9
24311-000070	2	8
	13	116
	20	5
24311-000120	4	28
		67
		14
24311-000160	16	31
24311-000320	2	15
	4	68
	20	7
24321-000600	10	13
	20	27
24321-000750	16	32
24321-000850	2	21
	20	8
24341-000480	14	22
24351-030750	2	9
	20	6
24356-190200	13	70
		117
24356-240210	13	118
24372-000150	13	71
25132-004150	12	15
26014-080252	18	30
26106-060102	13	119
26106-060122	4	66
	13	137
26106-060162	11	28
	14	23
26106-060202	5	7
		8
	12	32
26106-060252	14	29

Parts No.	Fig. No.	Ref. No.
26106-060302	12	12
26106-060352	13	120
26106-080122	3	12
	10	23
	11	10
		19
	12	35
		57
26106-080162	2	10
		28
	4	71
	7	8
	10	24
26106-080202	2	11
		17
	4	72
	13	142
26106-080252	14	24
26106-080302	13	143
	16	3
26106-080352	6	14
26106-080402	2	29
	4	45
	5	21
26106-080452	2	12
		18
	5	10
	6	15
26106-080552	6	16
	7	13
	12	13
		17
26106-080602	4	46
		47
	12	36
26106-080702	2	30
26106-080752	2	19
26106-080802	5	11
26106-080902	5	22
26106-100202	2	22
26106-100252	6	17
26106-100402	6	22
26106-101052	6	23
26106-120252	17	31
26206-100352	3	5
26206-100702	3	6
26216-060202	5	9
26216-100302	2	5
26226-080222	4	44
26306-080002	4	48

Parts No.	Fig. No.	Ref. No.
26306-080002	6	18
	8	3
26306-100002	2	13
	18	27
26366-060002	15	51
26450-100452	13	121
26587-050102	4	59
26716-050002	13	138
26776-180002	13	122
27241-160000	13	139
27241-300000	1	14
27241-400000	4	10
27310-070001	4	22
729900-02801	1	30
729907-01559	2	23
729927-22950	9	33
729928-01560	1	1
729928-22900	9	31
729928-53100	15	1
729928-92660	20	1
729948-51410	13	1
977770-1207F	20	40
X2240610100	17	23
X9490561001	18	3

Parts No.	Fig. No.	Ref. No.
-----------	----------	----------