

0CD50-M04010EN

# P R E F A C E

This parts catalog is the 1st edition of 4TNV98T-ZCSLY1 for Liugong.

Published : July, 2018

## Contents

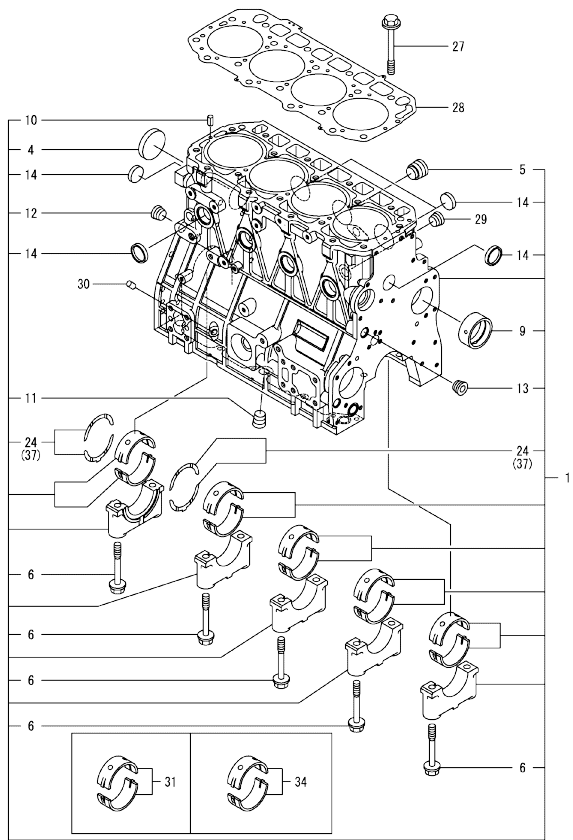
0CD50-M04010

Fig. No.	Fig. Name	Fig. No.	Fig. Name
ENGINE			
1.	CYLINDER BLOCK		
2.	GEAR HOUSING		
3.	FLYWHEEL HOUSING & OIL SUMP		
4.	CYLINDER HEAD & BONNET		
5.	SUCTION MANIFOLD		
6.	EXHAUST MANIFOLD		
7.	CAMSHAFT & DRIVING GEAR		
8.	TURBINE		
9.	CRANKSHAFT & PISTON		
10.	LUB. OIL SYSTEM		
11.	LUB. OIL PIPE		
12.	COOLING WATER SYSTEM		
13.	FUEL INJECTION PUMP		
14.	GOVERNOR		
15.	FUEL INJECTION VALVE		
16.	FUEL PIPE		
17.	STARTER MOTOR		
18.	GENERATOR		
19.	ELECTRONIC CONTROL UNIT(ECU)		
20.	ACCESSORY		
21.	GASKET SET		

Fig.1. CYLINDER BLOCK

(A)=4TNV98T-ZCSLY1  
(B)=  
(C)=

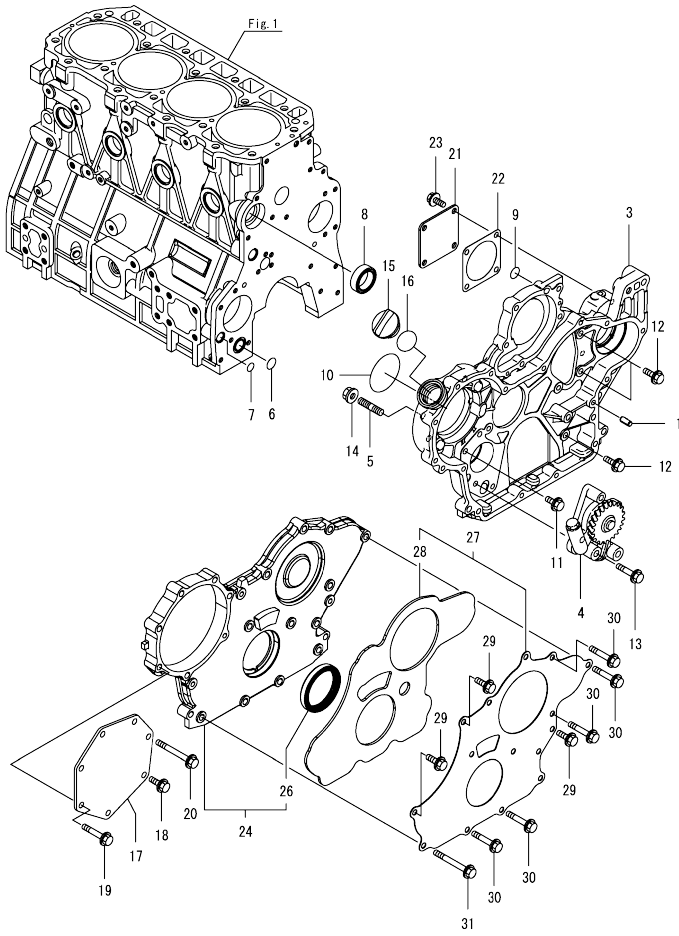
(D)=  
(E)=  
(F)=



No.	Lev.	Parts No.	Description	Q'ty						I	R
				(A)	(B)	(C)	(D)	(E)	(F)		
1	1	729928-01560	BLOCK ASSY, CYLINDER	1							
4	2	129900-01250	PLUG, 55	1							
5	2	171051-01921	PLUG, NPTF1	1							
6	2	129900-02020	BOLT, METAL CAP	10							
9	2	129900-02410	BUSH, CAMSHAFT	1							
10	2	22351-060012	PIN, SPRING 6.0X12	2							
11	2	23876-030000	PLUG, R03	1							
12	2	23876-030000	PLUG, R03	1							
13	2	23876-030000	PLUG, R03	1							
14	2	27241-300000	PLUG 30	8							
24	2	129927-02930	BEARING ASSY, THRUST	2							
27	1	129900-01200	BOLT, CYLINDER HEAD	18							
28	1	129907-01331	GASKET, HEAD	1							
29	1	23876-030000	PLUG, R03	1							
30	1	119309-01810	PLUG	1							
31	1	729927-02800	BEARING ASSY, MAIN	5							1
34	1	129927-02340	BEARING ASSY, MAIN US	5							2
37	1	129927-02940	BEARING, THRUST0.25OS	2							3

Remarks  
(1)Spare parts.  
(2)Under-sized(U.S.=0.25) parts.  
(3)Over-sized(O.S.=0.25) parts.

Fig.2. GEAR HOUSING



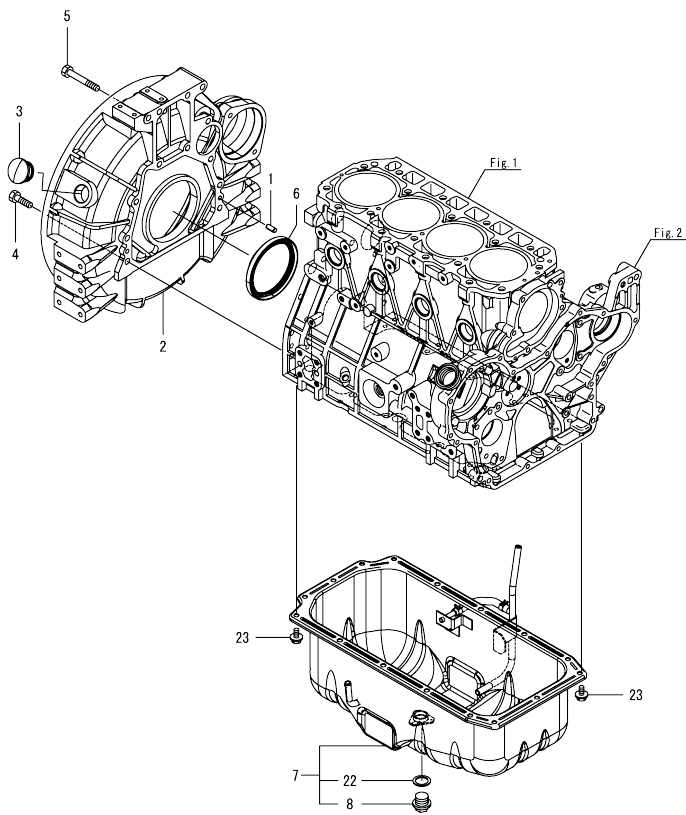
(A)=4TNV98T-ZCSLY1  
(B)=  
(C)=

(D)=  
(E)=  
(F)=

No.	Lev.	Parts No.	Description	Qty						I	R
				(A)	(B)	(C)	(D)	(E)	(F)		
1	1	129100-01580	PIN, PARALLEL 8X16	4							
3	1	129948-01500	CASE ASSY, GEAR	1							
4	1	129908-32060	PUMP ASSY, OIL	1							
5	1	26216-100302	STUD, M10X 30	4							
6	1	129900-32030	O-RING, P20	1							
7	1	129900-32040	O-RING, P14	1							
8	1	129927-42140	GASKET, PUMP OUTLET	1							
9	1	24311-000070	O-RING, 1AP7.0	1							
10	1	24351-030750	O-RING, 1A3075	1							
11	1	26106-080162	BOLT, M8X 16 PLATED	1							
12	1	26106-080202	BOLT, M8X 20 PLATED	3							
13	1	26106-080452	BOLT, M8X 45 PLATED	3							
14	1	26306-100002	NUT, M10	4							
15	1	124160-01751	CAP, FILLER	1							
16	1	24311-000320	O-RING, 1AP32.0	1							
17	1	129951-01740	COVER, PUMP TIMING	1							
18	1	26106-080202	BOLT, M8X 20 PLATED	1							
19	1	26106-080452	BOLT, M8X 45 PLATED	5							
20	1	26106-080752	BOLT, M8X 75 PLATED	1							
21	1	124240-01871	COVER, HYDRAULIC PUMP	1							
22	1	129C26-01890	GASKET, PUMP	1							
23	1	26106-080162	BOLT, M8X 16 PLATED	4							
24	1	729907-01559	COVER ASSY, CASE	1							
26	2	129916-01800	SEAL, OIL	1							
27	1	129900-01850	COVER ASSY, CASE	1							
28	2	129900-01870	SPONGE, COVER	1							
29	1	26106-080162	BOLT, M8X 16 PLATED	3							
30	1	26106-080402	BOLT, M8X 40 PLATED	5							
31	1	26106-080702	BOLT, M8X 70 PLATED	6							

N:Old  $\frac{100}{100}$  New, Q:Old  $\frac{100}{100}$  New, R:Old  $\frac{100}{100}$  New, S:Old  $\frac{100}{100}$  New, W:Add, Z:Discontinued, F:Interchangeable by set, K:Qty Change  
Copyright (C) 2018 YANMAR GLOBAL CS CO., LTD. All Rights Reserved.

Fig.3. FLYWHEEL HOUSING & OIL SUMP

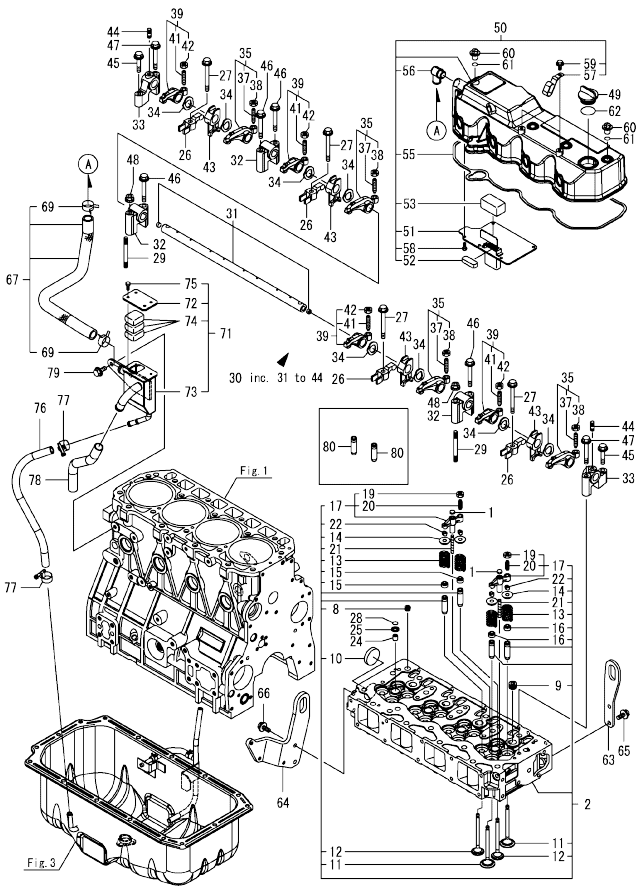


(A)=4TNV98T-ZCSLY1  
(B)=  
(C)=

(D)=  
(E)=  
(F)=

No.	Lev.	Parts No.	Description	Q'ty						I	R
				(A)	(B)	(C)	(D)	(E)	(F)		
1	1	129100-01580	PIN, PARALLEL 8X16	2							
2	1	129981-01600	HOUSING, FLYWHEEL	1							
3	1	119620-01750	CAP, WHEEL COVER	1							
4	1	26206-100352	BOLT, M10X 35 PLATED	9							
5	1	26206-100702	BOLT, M10X 70 PLATED	4							
6	1	129916-01790	SEAL, D115/95XT11	1							
7	1	129925-01720	OIL PAN ASSY	1							
8	2	119640-01640	PLUG, DRAIN M22	1							
22	2	22190-220002	WASHER, SEAL 22	1							
23	1	26106-080122	BOLT, M8X 12 PLATED	16							

Fig.4. CYLINDER HEAD & BONNET



(A)=4TNV98T-ZCSLY1  
(B)=  
(C)=

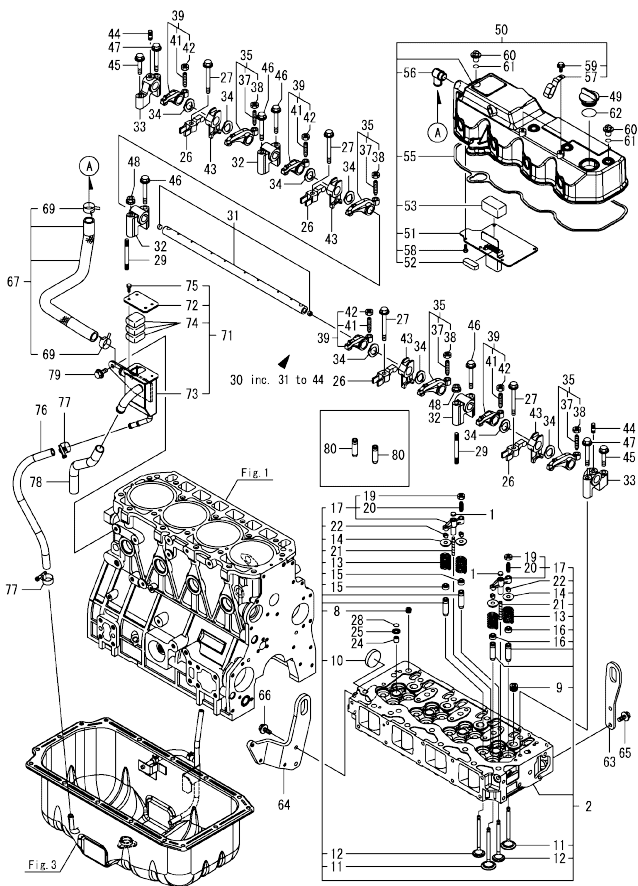
(D)=  
(E)=  
(F)=

No.	Lev.	Parts No.	Description	Q'ty						I	R
				(A)	(B)	(C)	(D)	(E)	(F)		
1	1	123907-11550	SEAT, VALVE BRIDGE	8							
2	1	129928-11710	HEAD ASSY, CYLINDER	1							
8	2	23876-020000	PLUG, R02	1							
9	2	23876-030000	PLUG, R03	4							
10	2	27241-400000	PLUG, 40	1							
11	2	129985-11100	VALVE, INTAKE	8							
12	2	129907-11110	VALVE, EXHAUST	8							
13	2	129907-11120	SPRING, VALVE	16							
14	2	119620-11180	RETAINER, SPRING	16							
15	2	119803-11340	SEAL, VALVE STEM	8							
16	2	124160-11340	SEAL, VALVE STEM	8							
17	2	129907-11510	BRIDGE ASSY, VALVE	8							
19	3	129150-11750	NUT, M8XP1.0	8							
20	3	123907-11830	ADJUSTER, BRIDGE	8							
21	2	123907-11820	GUIDE, BRIDGE	8							
22	2	27310-070001	COTTER, 7	16							
24	1	119802-11870	PROTECTOR, NOZZLE	4							
25	1	119625-11880	SEAT, NOZZLE	4							
26	1	129907-11960	RETAINER, NOZZLE	4							
27	1	129907-11950	BOLT, VALVE HOLDER	4							
28	1	24311-000120	O-RING, 1AP12.0	4							
29	1	119593-11301	STUD, M8X80	2							
30	1	129907-11341	SUPPORT ASSY, ROCKER	1							
31	2	129907-11250	SHAFT, ROCKER ARM	1							
32	2	129907-11260	SUPPORT, ROCKER A	3							
33	2	129907-11270	SUPPORT, ROCKER B	2							
34	2	123907-11280	WASHER, WAVE	8							
35	2	129907-11650	ARM ASSY, ROCKER INT	4							
37	3	129150-11230	SCREW, VALVE ADJUST	4							
38	3	129150-11750	NUT, M8XP1.0	4							
39	2	129907-11660	ARM ASSY, ROCKER EXH	4							
41	3	129150-11230	SCREW, VALVE ADJUST	4							
42	3	129150-11750	NUT, M8XP1.0	4							
43	2	129907-11920	RETAINER, NOZZLE	4							
44	2	26226-080222	STUD, M8X 22	2							
45	1	26106-080402	BOLT, M8X 40 PLATED	2							
46	1	26106-080602	BOLT, M8X 60 PLATED	4							
47	1	26106-080602	BOLT, M8X 60 PLATED	2							
48	1	26306-080002	NUT, M8	2							
49	1	124160-01751	CAP, FILLER	1							
50	1	129948-11300	BONNET ASSY, HEAD	1							
51	2	129907-03011	PLATE, BAFFLE	1							
52	2	129907-03061	BAFFLE, BREATHER	1							
53	2	129907-03070	BAFFLE, BREATHER	1							
55	2	129933-11310	GASKET, BONNET	1							
56	2	119100-11330	ELBOW, BREATHER	1							
57	2	129509-79700	CLAMP, 140-M6	2							
58	2	22857-500100	SCREW, 5X10	6							
59	2	26106-060122	BOLT, M6X 12 PLATED	2							
60	1	124160-11360	KNOB, BONNET	4							
61	1	24311-000120	O-RING, 1AP12.0	4							

Remarks  
(1)Spare parts.

N:Old  $\frac{100}{100}$  New, Q:Old  $\frac{100}{100}$  New, R:Old  $\frac{100}{100}$  New, S:Old  $\frac{100}{100}$  New, W:Add, Z:Discontinued, F:Interchangeable by set, K:Q'ty Change  
 ++ CONTINUE ++  
 Copyright (C) 2018 YANMAR GLOBAL CS CO., LTD. All Rights Reserved.

Fig.4. CYLINDER HEAD & BONNET



(A)=4TNV98T-ZCSLY1  
(B)=  
(C)=

(D)=  
(E)=  
(F)=

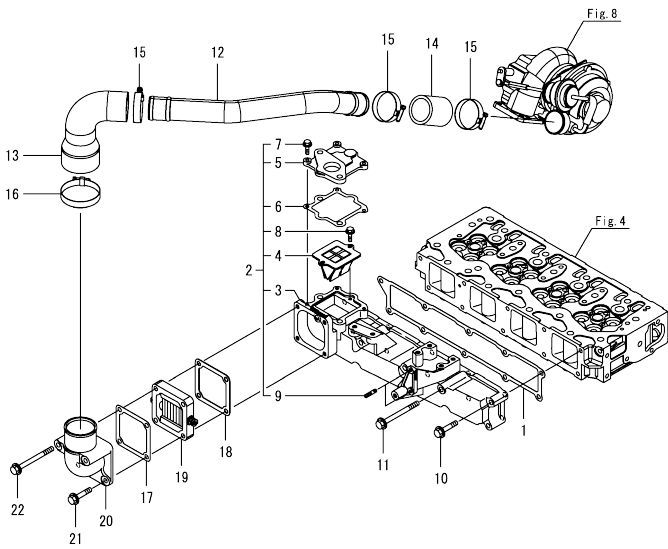
No.	Lev.	Parts No.	Description	Q'ty						I	R
				(A)	(B)	(C)	(D)	(E)	(F)		
62	1	24311-000320	O-RING, 1AP32.0	1							
63	1	129907-07900	LIFTER, ENGINE	1							
64	1	129948-07900	LIFTER, ENGINE	1							
65	1	26106-080162	BOLT, M8X 16 PLATED	2							
66	1	26106-080202	BOLT, M8X 20 PLATED	2							
67	1	129948-03080	HOSE ASSY, BREATHER	1							
69	2	129410-03990	CLAMP, HOSE 21.5	2							
71	1	129972-03240	SEPARATOR ASSY, MIST	1							
72	2	129972-03220	COVER, SEPARATOR	1							
73	2	129972-03230	SEPARATOR, MIST	1							
74	2	123901-03240	FILTER	3							
75	2	26116-050102	BOLT, M5X 10 PLATED	4							
76	1	129948-03310	HOSE, RETURN	1							
77	1	23000-022000	CLAMP, 22	2							
78	1	23065-160250	PIPE, 16X 250	1							
79	1	26106-080142	BOLT, M8X 14 PLATED	2							
80	1	129907-11800	GUIDE, VALVE	16							1

Remarks

(1) Spare parts.



Fig.5. SUCTION MANIFOLD



(A)=4TNV98T-ZCSLY1  
(B)=  
(C)=

(D)=  
(E)=  
(F)=

No.	Lev.	Parts No.	Description	Q'ty						I	R
				(A)	(B)	(C)	(D)	(E)	(F)		
1	1	129907-12110	GASKET, MANIFOLD	1							
2	1	129928-12150	MANIFOLD ASSY,INTAKE	1							
3	2	129928-12100	MANIFOLD, INTAKE	1							
4	2	129928-13700	VALVE, REED	1							
5	2	129928-13710	SPACER, EGR VALVE	1							
6	2	129928-13720	GASKET, EGR-V SPACER	1							
7	2	26106-060202	BOLT, M6X 20 PLATED	3							
8	2	26106-060202	BOLT, M6X 20 PLATED	2							
9	2	26216-060202	STUD, M6X 20	2							
10	1	26106-080452	BOLT, M8X 45 PLATED	6							
11	1	26106-080802	BOLT, M8X 80 PLATED	4							
12	1	129949-18200	DUCT, AIR	1							
13	1	129949-18210	JOINT, RUBBER	1							
14	1	123951-18220	JOINT, RUBBER B	1							
15	1	23000-054000	CLAMP, 54	3							
16	1	23000-070000	CLAMP, 70	1							
17	1	119129-77020	GASKET, AIR HEATER	1							
18	1	121850-77021	GASKET, AIR HEATER	1							
19	1	119005-77051	HEATER, AIR	1							
20	1	119129-77520	BEND, INLET	1							
21	1	26106-080402	BOLT, M8X 40 PLATED	2							
22	1	26106-080902	BOLT, M8X 90 PLATED	2							

Fig.6. EXHAUST MANIFOLD

(A)=4TNV98T-ZCSLY1  
(B)=  
(C)=

(D)=  
(E)=  
(F)=

No.	Lev.	Parts No.	Description	Q'ty						I	R
				(A)	(B)	(C)	(D)	(E)	(F)		
1	1	129948-13150	MANIFOLD ASSY	1							
2	2	129948-13100	MANIFOLD, EXHAUST	1							
3	2	119131-18320	STUD, M8X22	4							
4	2	129418-18320	STUD, M8X20	2							
5	1	129900-13251	GASKET, MANIFOLD	1							
6	1	129E00-13640	BOLT, M8X80 10.9T	8							
7	1	129928-13400	COOLER ASSY, EGR	1							
8	1	129928-13410	GASKET, EGR COOLER	1							
9	1	129928-13410	GASKET, EGR COOLER	1							
10	1	119802-13791	BOLT, M8X25 10.9T	2							
11	1	129948-13800	PIPE, EGR INLET	1							
12	1	129927-13810	GASKET, EGR PIPE	1							
13	1	129948-13810	PIPE, EGR INLET	1							
14	1	26106-080352	BOLT, M8X 35 PLATED	1							
15	1	26106-080452	BOLT, M8X 45 PLATED	1							
16	1	26106-080552	BOLT, M8X 55 PLATED	2							
17	1	26106-100252	BOLT, M10X 25 PLATED	2							
18	1	26306-080002	NUT, M8	2							
19	1	129928-13900	VALVE, EGR	1							
20	1	129927-13910	GASKET, EGR	1							
21	1	129927-13920	GASKET, EGR	1							
22	1	26106-100402	BOLT, M10X 40 PLATED	1							
23	1	26106-101052	BOLT, M10X105 PLATED	1							

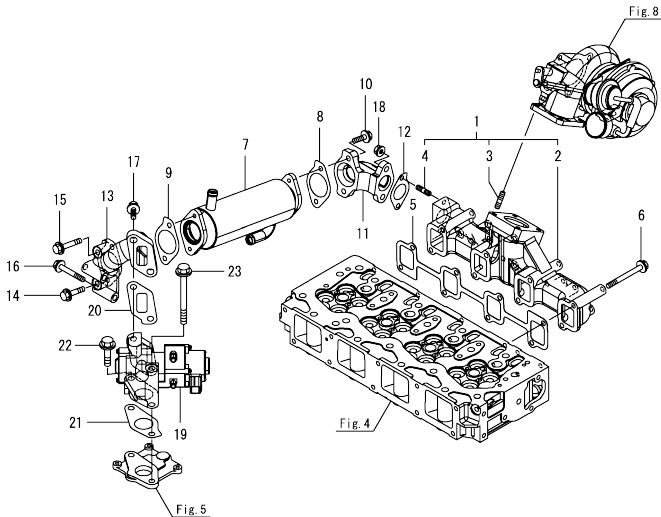
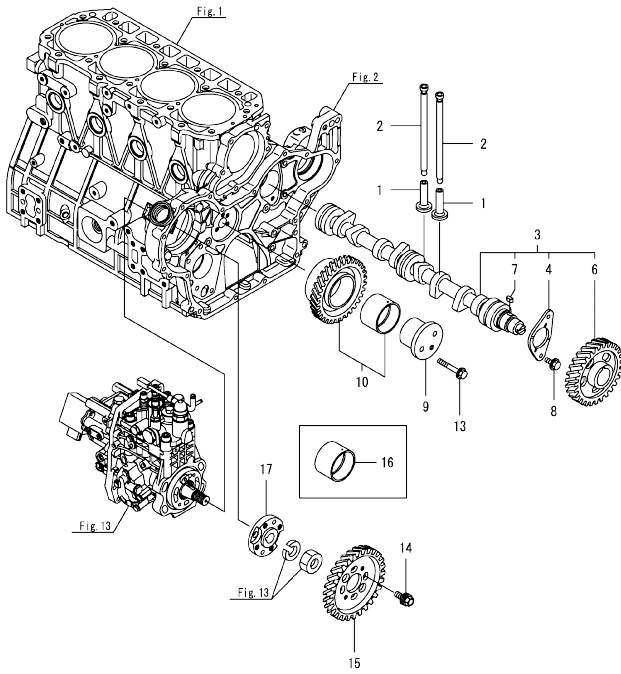


Fig.7. CAMSHAFT & DRIVING GEAR



(A)=4TNV98T-ZCSLY1  
(B)=  
(C)=

(D)=  
(E)=  
(F)=

No.	Lev.	Parts No.	Description	Q'ty						I	R
				(A)	(B)	(C)	(D)	(E)	(F)		
1	1	129150-14200	TAPPET	8							
2	1	129907-14400	ROD, PUSH	8							
3	1	129908-14581	CAMSHAFT ASSY	1							
4	2	129150-02450	METAL, THRUST	1							
6	2	129900-14100	GEAR, CAMSHAFT	1							
7	2	22512-070140	KEY, 7X 14	1							
8	1	26106-080142	BOLT, M8X 14 PLATED	2							
9	1	123900-25060	SHAFT, IDLE GEAR	1							
10	1	129927-25100	GEAR ASSY, IDLE	1							
13	1	26106-080552	BOLT, M8X 55 PLATED	3							
14	1	129953-25300	BOLT, PUMP BODY	4							
15	1	129907-25900	GEAR, PUMP	1							
16	1	129927-25920	BUSH, IDLE GEAR	1							1
17	1	158563-51150	FLANGE	1							

Remarks

(1)Spare parts.

OCD50-M04010 ENGINE  
 Fig.8. TURBINE

OCD50-M04010 Fig.8

(A)=4TNV98T-ZCSLY1  
 (B)=  
 (C)=

(D)=  
 (E)=  
 (F)=

No.	Lev.	Parts No.	Description	Q'ty					
				(A)	(B)	(C)	(D)	(E)	(F)
1	1	129948-18011	TURBOCHARGER, RHF5	1					
2	1	129472-18090	GASKET, TURBINE IN	1					
3	1	119131-18320	STUD, M8X22	4					
4	1	26306-080002	NUT, M8	4					

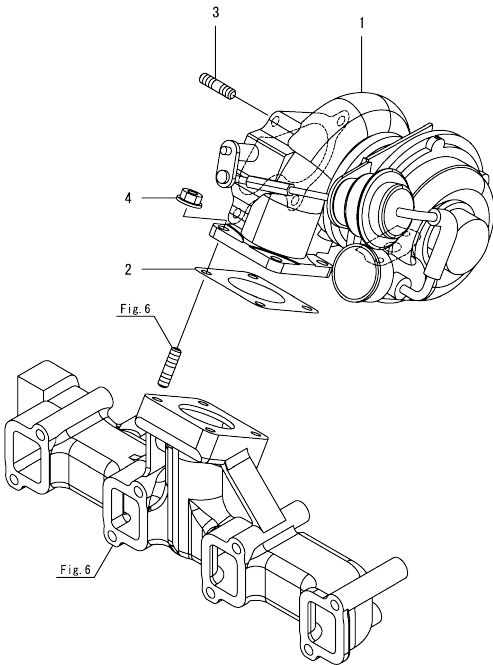
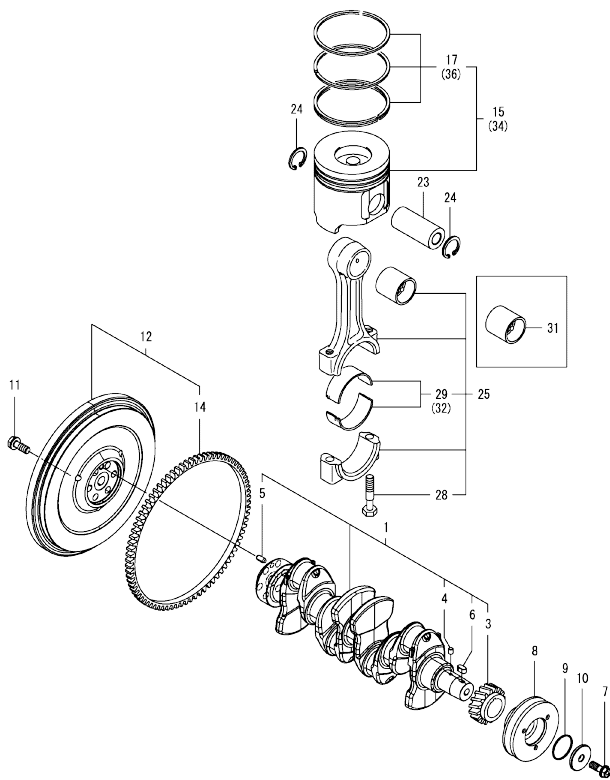


Fig.9. CRANKSHAFT & PISTON



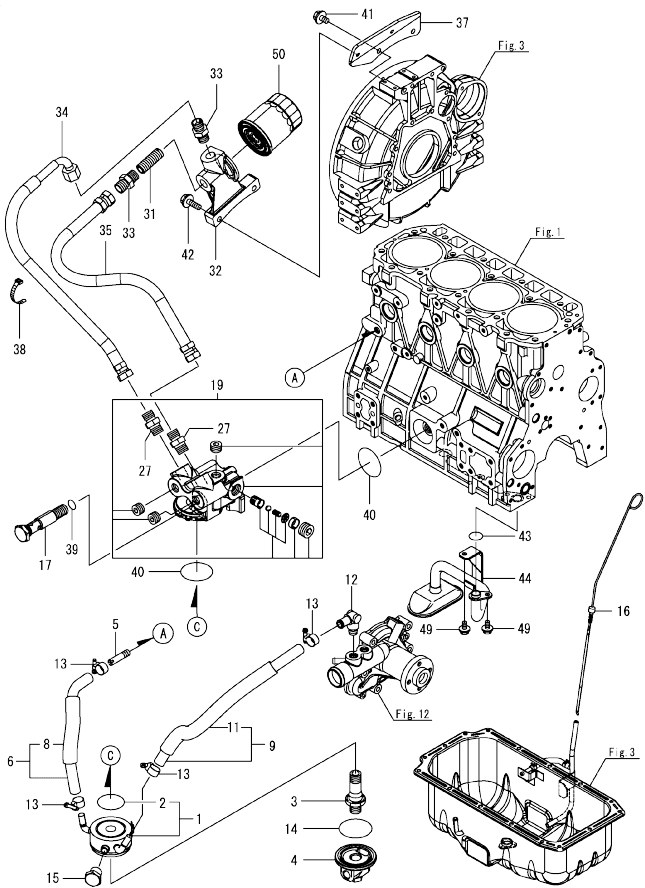
(A)=4TNV98T-ZCSLY1  
(B)=  
(C)=

(D)=  
(E)=  
(F)=

No.	Lev.	Parts No.	Description	Q'ty						I	R
				(A)	(B)	(C)	(D)	(E)	(F)		
1	1	129908-21000	CRANKSHAFT ASSY	1							
3	2	129900-21200	GEAR, CRANKSHAFT	1							
4	2	121850-21290	PIN, CRANK GEAR	1							
5	2	121850-21920	PIN, PARALLEL 10X22	1							
6	2	22512-070140	KEY, 7X 14	1							
7	1	129916-21610	BOLT, V-PULLEY	1							
8	1	129944-21650	V-PULLEY, CRANKSHAFT	1							
9	1	129960-21930	GASKET, WASHER	1							
10	1	129960-21940	WASHER, V-PULLEY	1							
11	1	121850-21130	BOLT, FLYWHEEL	6							
12	1	129916-21590	FLYWHEEL ASSY	1							
14	2	129900-21600	GEAR, RING	1							
15	1	129924-22080	PISTON ASSY	4							
17	2	129E00-22050	RING SET, PISTON	4							
23	1	120130-22301	PIN, PISTON	4							
24	1	22252-000300	RING, 30	8							
25	1	129900-23001	ROD ASSY, CONNECTING	4							
28	2	129900-23200	BOLT, CONNECTING ROD	8							
29	2	129927-23600	BEARING ASSY, PIN	4							
31	1	129900-23911	METAL, PISTON PIN	4							1
32	1	129927-23610	BEARING ASSY, PIN US	4							2
34	1	729928-22900	PISTON ASSY, 0.25 OS	4							3
36	2	729927-22950	RING SET, PISTON 25	4							3

Remarks  
(1) Spare parts.  
(2) Under-sized (U.S.=0.25) parts.  
(3) Over-sized (O.S.=0.25) parts.

Fig.10. LUB. OIL SYSTEM



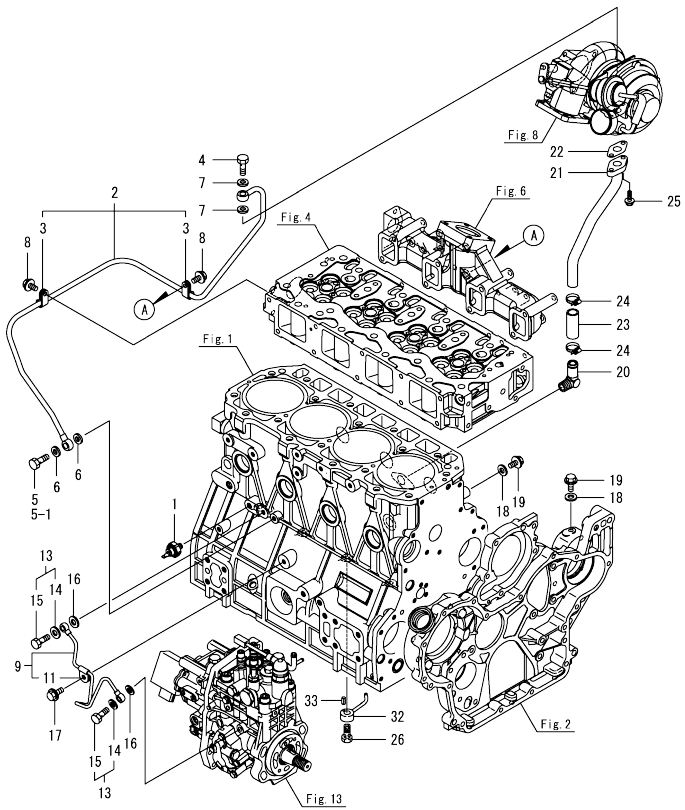
(A)=4TNV98T-ZCSLY1  
(B)=  
(C)=

(D)=  
(E)=  
(F)=

No.	Lev.	Parts No.	Description	Q'ty						I	R
				(A)	(B)	(C)	(D)	(E)	(F)		
1	1	129949-33010	COOLER ASSY, OIL	1							
2	2	123912-33050	O-RING	1							
3	1	123910-33100	BOLT, CENTER	1							
4	1	129238-35111	PLUG	1							
5	1	129122-44480	JOINT, PT1/4	1							
6	1	129949-49110	PIPE ASSY, WATER	1							
8	2	129956-49190	TUBE, CORRUGATED	1							
9	1	129956-49210	PIPE ASSY, WATER	1							
11	2	129956-49230	TUBE, CORRUGATED	1							
12	1	129466-49300	ELBOW, PT3/8	1							
13	1	23000-025000	CLAMP, 25	4							
14	1	24321-000600	O-RING, 1AG60.0	1							
15	1	171056-49120	PLUG, DRAIN R1/4	1							
16	1	129E20-34871	DIPSTICK, OIL	1							
17	1	129956-33110	BOLT	1							
19	1	129E23-35130	BRACKET ASSY, L	1							
27	2	129953-39500	ADAPTER, R-G1/2	2							
27-1	2	129953-39501	ADAPTER	2							N
(A=E143573)											
31	1	119000-35140	BOLT, FILTER	1							
32	1	129949-35200	BRACKET, LUB.OIL	1							
33	1	129953-39500	ADAPTER, R-G1/2	2							
33-1	1	129953-39501	ADAPTER	2							N
(A=E143573)											
34	1	129238-39100	PIPE, FILTER	1							
35	1	129E23-39100	PIPE, LO	1							
37	1	129925-35220	BRACKET, LO FILTER	1							
38	1	198220-51870	BAND, NYLON 200	1							
39	1	24314-000200	O-RING, 4CP20.0	1							
40	1	24321-000600	O-RING, 1AG60.0	2							
41	1	26106-100162	BOLT, M10X 16 PLATED	2							
42	1	26106-100302	BOLT, M10X 30 PLATED	2							
43	1	129900-32030	O-RING, P20	1							
44	1	129953-35000	PIPE ASSY, OIL INLET	1							
49	1	26106-080122	BOLT, M8X 12 PLATED	2							
50	1	119005-35151	FILTER, OIL D80X100	1							1

Remarks  
(1)Spare parts.

Fig.11. LUB. OIL PIPE

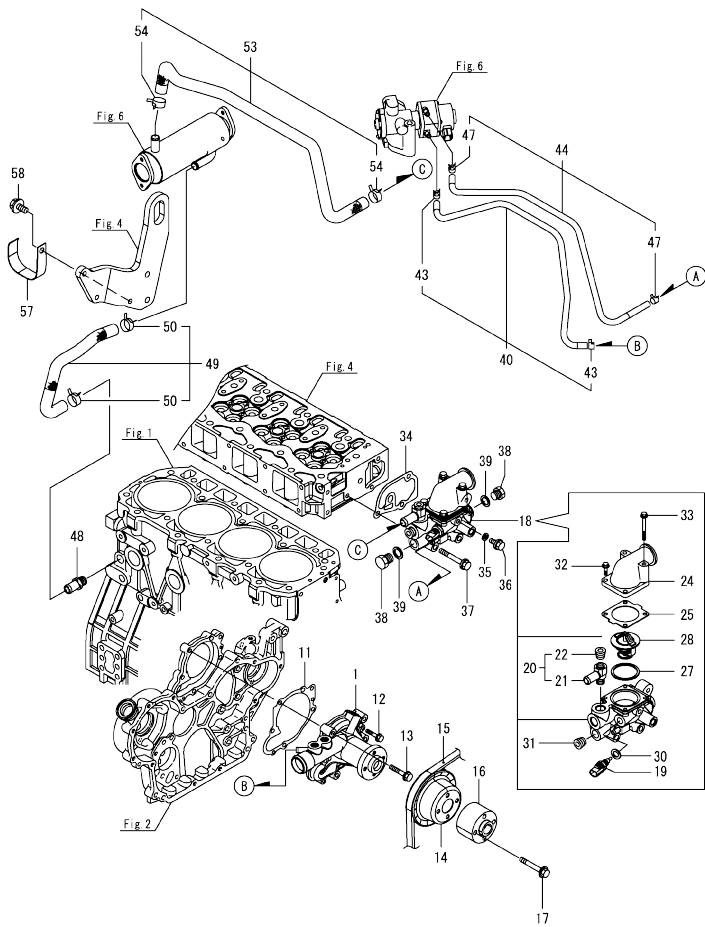


(A)=4TNV98T-ZCSLY1  
(B)=  
(C)=

(D)=  
(E)=  
(F)=

No.	Lev.	Parts No.	Description	Q'ty						I	R
				(A)	(B)	(C)	(D)	(E)	(F)		
1	1	114250-39450	SWITCH, HYDRAULIC	1							
2	1	129972-39080	PIPE ASSY, OIL	1							
3	2	124223-39900	RETAINER	2							
4	1	121252-39150	BOLT, JOINT M10X1.5	1							
5	1	105010-39140	BOLT, PIPE JOINT M8	1							
5-1	1	129198-59540	BOLT, PIPE JOINT M8	1							S
(A)=2020.06)											
6	1	22190-080002	WASHER, SEAL 8	2							
7	1	23414-100000	GASKET, 10X1.0	2							
8	1	26106-080122	BOLT, M8X 12 PLATED	2							
9	1	129927-39060	PIPE ASSY, OIL	1							
11	2	123907-39500	RETAINER, PIPE	1							
13	1	129005-59830	BOLT ASSY, JOINT M8	2							
14	2	22190-080002	WASHER, SEAL 8	2							
15	2	23857-030000	BOLT, JOINT 3	2							
16	1	22190-080002	WASHER, SEAL 8	2							
17	1	26106-080122	BOLT, M8X 12 PLATED	1							
18	1	22190-080002	WASHER, SEAL 8	2							
19	1	26106-080122	BOLT, M8X 12 PLATED	2							
20	1	124070-13300	ELBOW, PT3/8	1							
21	1	129908-39610	PIPE, OIL RETURN	1							
22	1	129908-39690	GASKET, RETURN PIPE	1							
23	1	123901-39820	HOSE, OIL RETURN	1							
24	1	23000-025000	CLAMP, 25	2							
25	1	26106-060162	BOLT, M6X 16 PLATED	2							
26	1	129908-39410	VALVE ASSY, CHECK	4							
32	1	119000-39650	NOZZLE, COOLING	4							
33	1	22351-030010	PIN, SPRING 3.0X10	4							

Fig.12. COOLING WATER SYSTEM



(A)=4TNV98T-ZCSLY1  
(B)=  
(C)=

(D)=  
(E)=  
(F)=

No.	Lev.	Parts No.	Description	Qty						I	R
				(A)	(B)	(C)	(D)	(E)	(F)		
1	1	129948-42110	PUMP ASSY, WATER	1							
11	1	129900-42020	GASKET, WATER PUMP	1							
12	1	26106-060302	BOLT, M6X 30 PLATED	2							
13	1	26106-080552	BOLT, M8X 55 PLATED	5							
14	1	123957-42451	V-PULLEY, PUMP	1							
15	1	129C20-42290	V-BELT, B42.5	1							
16	1	123910-44780	SPACER, FAN 65MM	1							
17	1	26106-100852	BOLT, M10X 85 PLATED	4							
18	1	129949-49820	CASE ASSY, THERMOSTAT	1							
19	2	129927-44900	SENSOR, TEMPERATURE	1							
20	2	129928-49400	JOINT ASSY	1							
21	3	129928-49410	JOINT	1							
22	3	23875-030000	PLUG, R03	1							
24	2	129980-49530	COVER, THERMOSTAT	1							
25	2	121850-49540	GASKET, THERMOSTAT	1							
27	2	121850-49550	GASKET, THERMOSTAT	1							
28	2	121850-49811	THERMOSTAT, 71C	1							
30	2	22190-120002	WASHER, SEAL 12	1							
31	2	23875-030000	PLUG, R03	1							
32	2	26106-060202	BOLT, M6X 20 PLATED	2							
33	2	26106-060552	BOLT, M6X 55 PLATED	2							
34	1	129900-49870	GASKET, THERMOSTAT	1							
35	1	23414-080000	GASKET, 8X1.0	1							
36	1	26106-080122	BOLT, M8X 12 PLATED	1							
37	1	26106-080602	BOLT, M8X 60 PLATED	3							
38	1	121450-42450	PLUG, M16	2							
39	1	124465-44950	GASKET, 16	2							
40	1	129927-49610	HOSE ASSY, WATER A	1							
43	2	23080-012000	CLAMP, 12	2							
44	1	129927-49620	HOSE ASSY, WATER B	1							
47	2	23080-012000	CLAMP, 12	2							
48	1	129928-49420	JOINT	1							
49	1	129948-49610	HOSE, COOLER INLET	1							
50	2	129960-03990	CLAMP, HOSE 19.8	2							
53	1	129948-49620	HOSE, COOLER OUTLET	1							
54	2	129960-03990	CLAMP, HOSE 19.8	2							
57	1	129928-79700	CLAMP, 150-M8	1							
58	1	26106-080122	BOLT, M8X 12 PLATED	1							

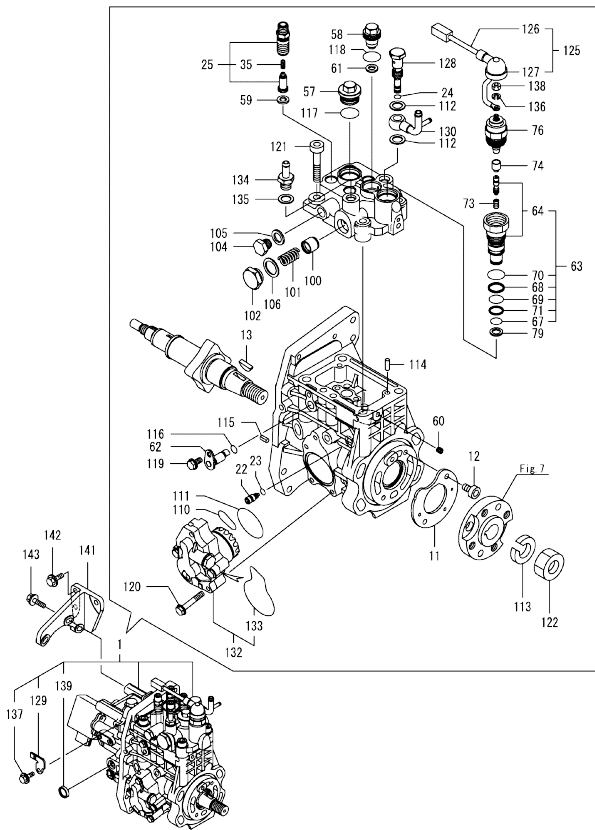
N:Old  $\frac{100}{100}$  New, Q:Old  $\frac{100}{100}$  New, R:Old  $\frac{100}{100}$  New, S:Old  $\frac{100}{100}$  New, W:Add, Z:Discontinued, F:Interchangeable by set, K:Qty Change  
Copyright (C) 2018 YANMAR GLOBAL CS CO., LTD. All Rights Reserved.



Fig.13. FUEL INJECTION PUMP

(A)=4TNV98T-ZCSLY1  
(B)=  
(C)=

(D)=  
(E)=  
(F)=



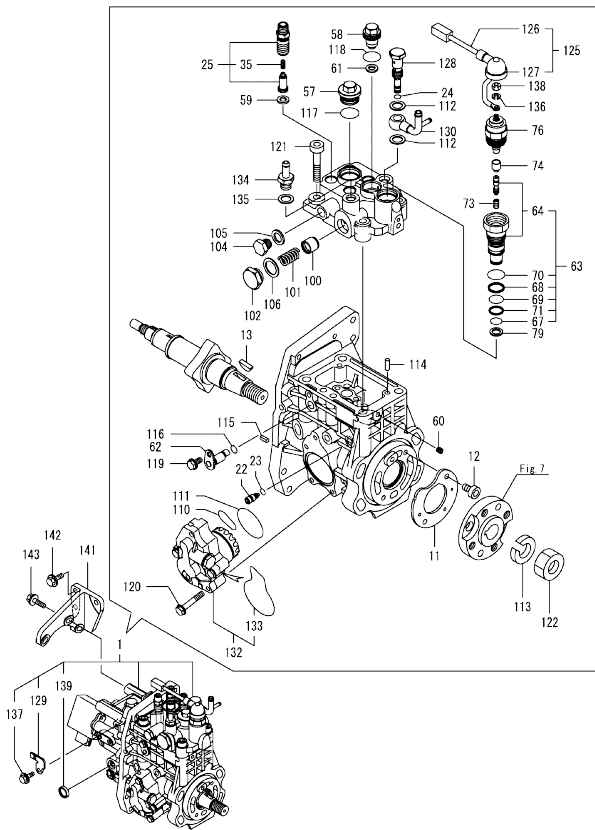
No.	Lev.	Parts No.	Description	Q'ty						I	R	
				(A)	(B)	(C)	(D)	(E)	(F)			
1	1	729925-51300	FIE ASSY	1							1	
11	2	129928-51900	COVER, OIL	1								
12	2	129008-51920	BOLT, M6X10	2								
13	2	144626-51090	KEY, FEATHER 5X19	1								
22	2	158600-51270	STOPPER, TAPPET	1								
23	2	158563-51281	O-RING, 4D S6	1								
24	2	158563-51281	O-RING, 4D S6	1								
25	2	129928-51390	VALVE ASSY, DELIVERY	4								
35	3	158563-51330	SPRING, DELIVERY	4								
57	2	158601-51550	PLUG, M22	1								
58	2	129907-51560	PLUG, M16	1								
59	2	158552-51571	GASKET, BARREL PLUG	4								
60	2	158557-51570	PLUG, RACK	1								
61	2	129906-51580	GASKET, BARREL PLUG	1								
62	2	158552-51580	LIFTER, LINK	1								
63	2	129657-51590	TIMER ASSY	1								
64	3	129657-51600	TIMER ASSY	1								
67	3	158553-51670	O-RING, PUMP TIMER	1								
68	3	119802-51680	RING, BACKUP	1								
69	3	119802-51690	O-RING, 1016	1								
70	3	24356-190200	O-RING, 4D19020	1								
71	3	24372-000150	RING, BACK UP T2P15	1								
73	2	119852-51630	SPRING, TIMER	1								
74	2	119852-51640	CAP, TIMER	1								
76	2	119852-51650	VALVE ASSY, SOLENOID	1								
79	2	158553-51680	GASKET, TIMER	1								
100	2	158601-51770	PISTON, ACCUMULATOR	1								
101	2	158552-51781	SPRING, ACCUMULATOR	1								
102	2	158601-51790	PLUG, ACCUMULATOR	1								
104	2	158553-51930	PLUG, M12	1								
105	2	22190-120002	WASHER, SEAL 12	1								
106	2	22190-180002	WASHER, SEAL 18	1								
110	2	158552-52311	O-RING, FEED PUMP	1								
111	2	158552-52400	O-RING, 4E S42	1								
112	2	22190-120002	WASHER, SEAL 12	2								
113	2	22217-180000	WASHER, SPRING 18	1								
114	2	22312-050140	PIN, PARALLEL 5X14	2								
115	2	22351-050010	PIN, SPRING 5.0X10	2								
116	2	24311-000070	O-RING, 1AP7.0	1								
117	2	24356-190200	O-RING, 4D19020	1								
118	2	24356-240210	O-RING, 4D24021	1								
119	2	26106-060102	BOLT, M6X 10 PLATED	1								
120	2	26106-060352	BOLT, M6X 35 PLATED	4								
121	2	26450-100452	BOLT, M10X 45	4								
122	2	26776-180002	NUT, LOCK M18	1								
125	2	129927-51650	HARNESS ASSY, WIRE	1								
126	3	129927-51660	HARNESS	1								
127	3	129263-77941	CAP, RUBBER	1								
128	2	158601-51650	JOINT, OVERFLOW	1								
129	2	129927-51670	BRACKET	1								
130	2	158552-51670	JOINT, OVERFLOW	1								

Remarks  
 (1)Governor(Fig.14) is incorporated in this Fuel Injection Pump(No.1).  
 (1)Eco pump  
 Make sure to update the engines ECU information when replacing the Eco pump.  
 Failing to do so will result in engine malfunction.

Fig.13. FUEL INJECTION PUMP

(A)=4TNV98T-ZCSLY1  
(B)=  
(C)=

(D)=  
(E)=  
(F)=

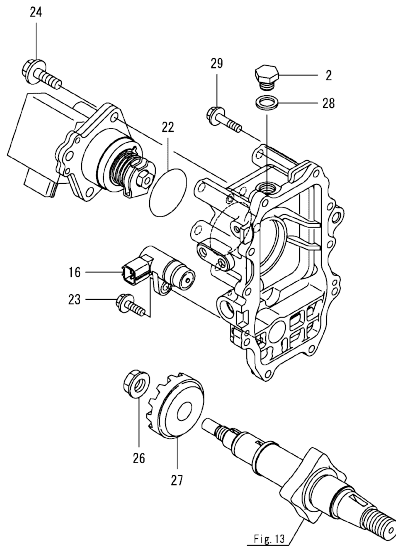


No.	Lev.	Parts No.	Description	Q'ty						I	R
				(A)	(B)	(C)	(D)	(E)	(F)		
132	2	158552-52100	PUMP ASSY, FUEL FEED	1							
133	3	158552-52500	O-RING, PUMP INNER	1							
134	2	119934-69910	JOINT, PIPE	1							
135	2	22190-120002	WASHER, SEAL 12	1							
136	2	22217-050000	WASHER, SPRING 5	1							
137	2	26106-060122	BOLT, M6X 12 PLATED	1							
138	2	26716-050002	NUT, M5	1							
139	2	27241-160000	PLUG, 16	1							
141	1	129927-51250	RETAINER, FUEL PUMP	1							
142	1	26106-080202	BOLT, M8X 20 PLATED	3							
143	1	26106-080302	BOLT, M8X 30 PLATED	3							

Remarks  
 (1)Governor(Fig.14) is incorporated in this Fuel Injection Pump(No.1).  
 (1)Eco pump  
 Make sure to update the engines ECU information when replacing the Eco pump.  
 Failing to do so will result in engine malfunction.

OCD50-M04010 ENGINE  
 Fig.14. GOVERNOR

OCD50-M04010 Fig.14



(A)=4TNV98T-ZCSLY1  
 (B)=  
 (C)=

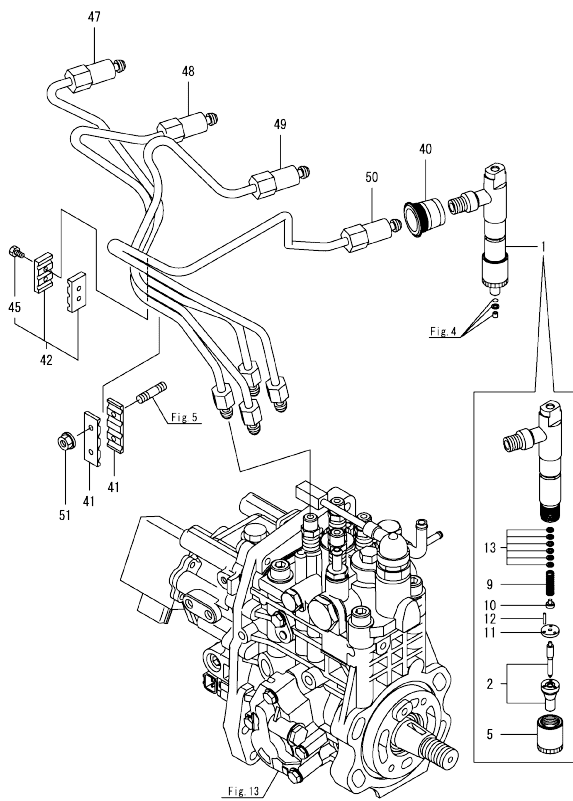
(D)=  
 (E)=  
 (F)=

No.	Lev.	Parts No.	Description	Q'ty						I	R
				(A)	(B)	(C)	(D)	(E)	(F)		
2	2	158553-51930	PLUG, M12	1							
16	2	158557-61720	SENSOR, ROTATION	1							
22	2	24341-000480	O-RING, 1AS48.0	1							
23	2	26106-060162	BOLT, M6X 16 PLATED	1							
24	2	26106-080252	BOLT, M8X 25 PLATED	3							
26	2	129008-61301	NUT, SUPPORT	1							
27	2	158553-61780	GEAR, SENSOR	1							
28	2	22190-120002	WASHER, SEAL 12	1							
29	2	26106-060252	BOLT, M6X 25 PLATED	10							

Remarks  
 \* This figure(Governor) is incorporated in the Fuel Injection Pump(Fig.13).

N:Old  $\frac{100}{100}$  New, Q:Old  $\frac{100}{100}$  New, R:Old  $\frac{100}{100}$  New, S:Old  $\frac{100}{100}$  New, W:Add, Z:Discontinued, F:Interchangeable by set, K:Q'ty Change  
 Copyright (C) 2018 YANMAR GLOBAL CS CO., LTD. All Rights Reserved.

Fig.15. FUEL INJECTION VALVE



(A)=4TNV98T-ZCSLY1  
(B)=  
(C)=

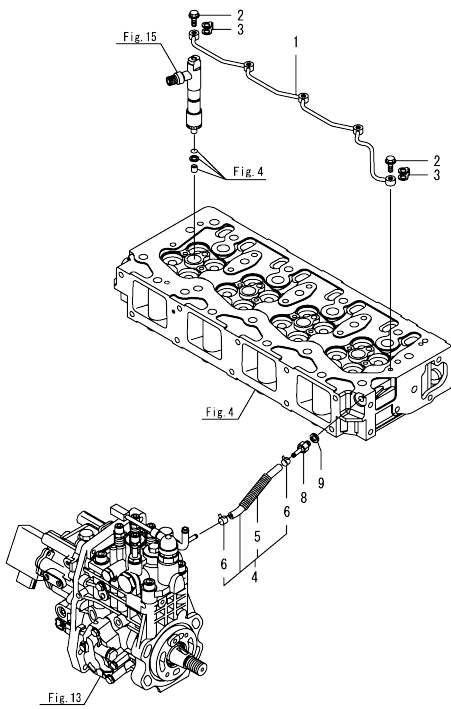
(D)=  
(E)=  
(F)=

No.	Lev.	Parts No.	Description	Q'ty						I	R
				(A)	(B)	(C)	(D)	(E)	(F)		
1	1	729928-53300	VALVE ASSY,INJECTION	4							
2	2	129672-53010	VALVE ASSY,INJECTION	4							
5	2	114250-53080	NUT, NOZZLE	4							
9	2	114250-53120	SPRING, NOZZLE	4							
10	2	114250-53130	SEAT, SPRING	4							
11	2	114250-53140	SPACER, VALVE STOP	4							
12	2	114250-53210	PIN, POSITIONING	8							
13	2	119803-53400	SHIM SET	4							1
40	1	123907-11601	SEAL, PIPE	4							
41	1	123472-59120	RETAINER, PIPE	2							
42	1	129150-59120	RETAINER, PIPE	1							
45	2	129150-59131	BOLT, M4X14	2							
47	1	129927-59810	PIPE ASSY, INJECTION	1							
48	1	129927-59820	PIPE ASSY, INJECTION	1							
49	1	129927-59830	PIPE ASSY, INJECTION	1							
50	1	129927-59840	PIPE ASSY, INJECTION	1							
51	1	26366-060002	NUT, M6	2							

Remarks

(1)Spare parts.

Fig.16. FUEL PIPE



(A)=4TNV98T-ZCSLY1  
(B)=  
(C)=

(D)=  
(E)=  
(F)=

No.	Lev.	Parts No.	Description	Q'ty					
				(A)	(B)	(C)	(D)	(E)	(F)
1	1	129907-59140	PIPE ASSY, RETURN	1					
2	1	123907-59540	BOLT, PIPE JOINT M6	5					
3	1	123907-59550	GASKET, FUEL RETURN	5					
4	1	129927-59550	HOSE ASSY, RETURN	1					
5	2	129263-49750	TUBE, CORRUGATED	1					
6	2	124722-59050	CLAMP, HOSE 9	2					
8	1	123907-59560	JOINT, HOSE	1					
9	1	22190-080002	WASHER, SEAL 8	1					

OCD50-M04010 ENGINE

Fig.17. STARTER MOTOR

OCD50-M04010 Fig.17

(A)=4TNV98T-ZCSLY1  
(B)=  
(C)=

(D)=  
(E)=  
(F)=

No.	Lev.	Parts No.	Description	Q'ty					
				(A)	(B)	(C)	(D)	(E)	(F)
1	1	129908-77010	STARTER,12V-3.0KW	1					
2	1	26106-120252	BOLT, M12X 25 PLATED	2					

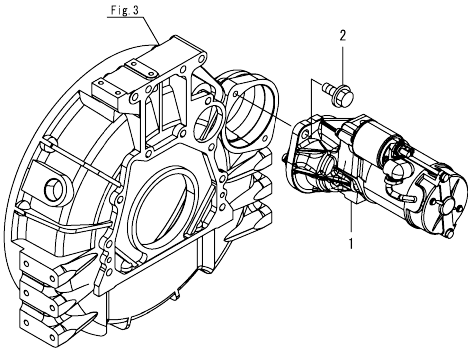
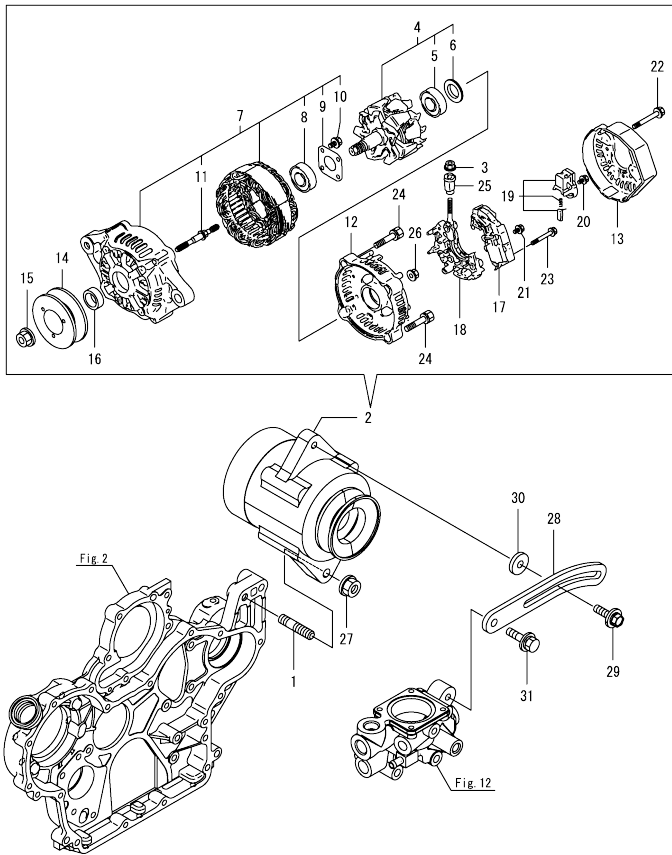


Fig.18. GENERATOR

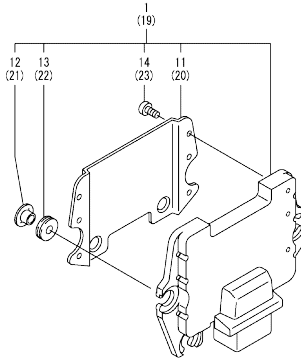


(A)=4TNV98T-ZCSLY1  
(B)=  
(C)=

(D)=  
(E)=  
(F)=

No.	Lev.	Parts No.	Description	Q'ty						I	R
				(A)	(B)	(C)	(D)	(E)	(F)		
1	1	129795-01900	BOLT, M10X30	1							
2	1	123951-77210	ALTERNATOR, 12V-55A	1							
3	2	X9490561001	NUT	1							
4	2	129052-77380	ROTOR ASSY	1							
5	3	123501-79240	BEARING, BALL	1							
6	3	119620-79250	COVER, BEARING	1							
7	2	129052-77422	FRAME ASSY	1							
8	3	119620-79200	BEARING, BALL	1							
9	3	119620-79210	PLATE, RETAINER	1							
10	3	119620-79220	SCREW	4							
11	3	119620-79230	STUD	2							
12	2	128401-77440	COVER, END	1							
13	2	119626-77450	COVER, END	1							
14	2	123950-77450	V-PULLEY	1							
15	2	119620-77470	NUT	1							
16	2	119620-77490	COLLAR	1							
17	2	129423-77720	REGULATOR ASSY	1							
18	2	129052-79260	HOLDER ASSY	1							
19	2	129052-79270	HOLDER ASSY, BRUSH	1							
20	2	119620-79290	SCREW	6							
21	2	119620-79300	SCREW	1							
22	2	119620-79310	BOLT	3							
23	2	119620-79320	SCREW, W/WASHER	2							
24	2	119620-79330	BOLT	2							
25	2	119620-79340	BUSH, INSULATION	1							
26	2	119620-79350	NUT	2							
27	1	26306-100002	NUT, M10	1							
28	1	129916-77300	ADJUSTER, BELT	1							
29	1	119810-77340	BOLT, ADJUSTER L=30	1							
30	1	121236-77340	SPACER, ADJUSTER	1							
31	1	26014-080302	BOLT, M8X 30	1							

Fig.19. ELECTRONIC CONTROL UNIT(ECU)



(A)=4TNV98T-ZCSLY1  
(B)=  
(C)=

(D)=  
(E)=  
(F)=

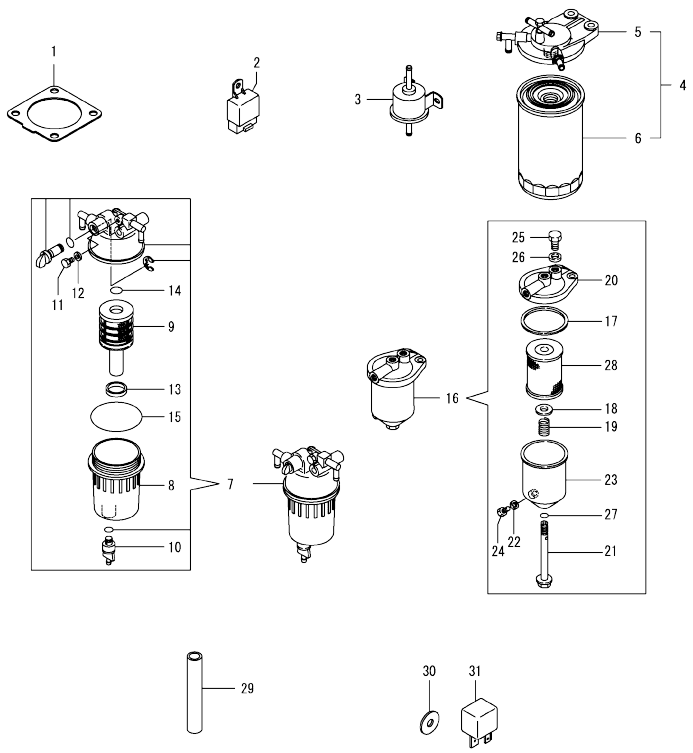
No.	Lev.	Parts No.	Description	Q'ty						I	R
				(A)	(B)	(C)	(D)	(E)	(F)		
1	1	129925-75050	ECU ASSY,98T-ZCSLY1	1							1
11	2	129927-77600	SHIELD, ECU	1							
12	2	129927-77680	COLLAR, CONTROLLER	3							
13	2	119578-91351	RUBBER, CONTROLLER	3							
14	2	22877-500080	SCREW, 5X 8	6							
19	1	129927-75901	ECU ASSY, SERVICE	1							2
20	2	129927-77600	SHIELD, ECU	1							
21	2	129927-77680	COLLAR, CONTROLLER	3							
22	2	119578-91351	RUBBER, CONTROLLER	3							
23	2	22877-500080	SCREW, 5X 8	6							

Remarks  
(1)Eco ECU  
This part cannot be ordered.  
Replace the part using a Service ECU with the proper engine information installed.  
(2)Service ECU  
If the proper information is not installed, the engine will not operate.  
To install proper information, go to an authorized distributor.



OCD50-M04010 ENGINE  
 Fig.20. ACCESSORY

OCD50-M04010 Fig.20



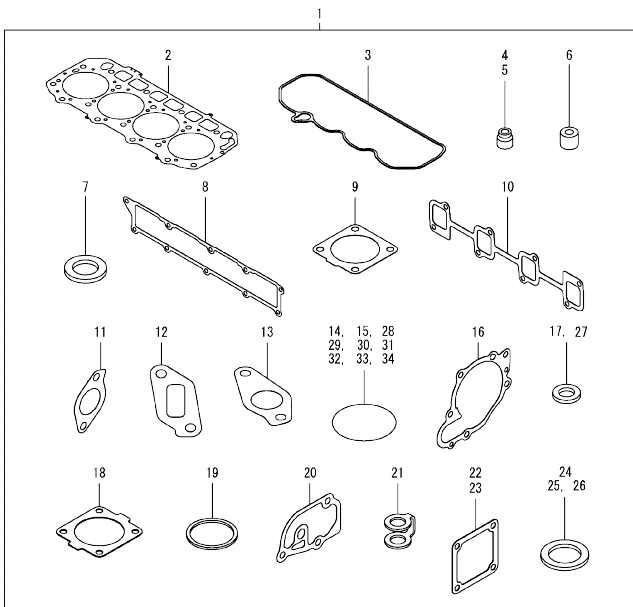
(A)=4TNV98T-ZCSLY1  
 (B)=  
 (C)=

(D)=  
 (E)=  
 (F)=

No.	Lev.	Parts No.	Description	Q'ty						I	R
				(A)	(B)	(C)	(D)	(E)	(F)		
1	1	129930-13201	GASKET, SILENCER	1							
1-1	1	123901-18080 (A=E140914)	GASKET, TURBINE OUT	1							N
2	1	172B02-17150	RELAY, CA TYPE C	2							
3	1	129612-52100	PUMP, FUEL FEED	1							
4	1	129940-55610	FILTER ASSY, FUEL	1							
5	2	129004-55612	BRACKET, FILTER	1							
6	2	129907-55801	FILTER, FUEL	1							
7	1	129242-55711	SEPARATOR ASSY,WATER	1							
8	2	129242-55720	CUP, SEPARATOR	1							
9	2	129242-55730	ELEMENT, FUEL FILTER	1							
10	2	129242-55740	PLUG, DRAIN	1							
11	2	129242-55750	VALVE, AIR VENT	1							
12	2	129242-55760	GASKET, PLUG	1							
13	2	129242-55770	FLOAT	1							
14	2	24311-000160	O-RING, 1AP16.0	1							
15	2	24321-000750	O-RING, 1AG75.0	1							
16	1	129065-55750	SEPARATOR ASSY,WATER	1							
17	2	123325-35140	GASKET, COVER	1							
18	2	123325-35160	SEAT, SPRING	1							
19	2	129065-55170	SPRING, FILTER	1							
20	2	129495-55610	BODY, STRAINER	1							
21	2	129495-55620	BOLT, CENTER	1							
22	2	123672-55760	GASKET	1							
23	2	129065-55760	CASE, SEPARATOR	1							
24	2	129065-55770	PLUG, DRAIN M8	1							
25	2	129065-55800	PLUG, M14	1							
26	2	123678-55890	GASKET, PLUG	1							
27	2	24311-000120	O-RING, 1AP12.0	1							
28	2	41650-550800	ELEMENT, FUEL	1							
29	1	119595-59300	PROTECTOR	2							
30	1	129927-77690	WASHER, ECU	3							
31	1	129927-77920	RELAY, ISO 70A	2							

N:Old  $\frac{100}{100}$  New, Q:Old  $\frac{100}{100}$  New, R:Old  $\frac{100}{100}$  New, S:Old  $\frac{100}{100}$  New, W:Add, Z:Discontinued, F:Interchangeable by set, K:Qty Change  
 Copyright (C) 2018 YANMAR GLOBAL CS CO., LTD. All Rights Reserved.

Fig.21. GASKET SET



(A)=4TNV98T-ZCSLY1  
(B)=  
(C)=

(D)=  
(E)=  
(F)=

No.	Lev.	Parts No.	Description	Q'ty						I	R
				(A)	(B)	(C)	(D)	(E)	(F)		
1	1	129922-92610	GASKET SET	1							1
2	2	129907-01331	GASKET, HEAD	1							
3	2	129933-11310	GASKET, BONNET	1							
4	2	119803-11340	SEAL, VALVE STEM	8							
5	2	124160-11340	SEAL, VALVE STEM	8							
6	2	119802-11870	PROTECTOR, NOZZLE	4							
7	2	119625-11880	SEAT, NOZZLE	4							
8	2	129907-12110	GASKET, MANIFOLD	1							
9	2	129930-13201	GASKET, SILENCER	2							
10	2	129900-13251	GASKET, MANIFOLD	1							
11	2	129927-13810	GASKET, EGR PIPE	1							
12	2	129927-13910	GASKET, EGR	1							
13	2	129927-13920	GASKET, EGR	1							
14	2	129900-32030	O-RING, P20	2							
15	2	129900-32040	O-RING, P14	1							
16	2	129900-42020	GASKET, WATER PUMP	1							
17	2	124465-44950	GASKET, 16	2							
18	2	121850-49540	GASKET, THERMOSTAT	1							
19	2	121850-49550	GASKET, THERMOSTAT	1							
20	2	129900-49870	GASKET, THERMOSTAT	1							
21	2	123907-59550	GASKET, FUEL RETURN	5							
22	2	119129-77020	GASKET, AIR HEATER	2							
23	2	121850-77021	GASKET, AIR HEATER	1							
24	2	22190-080002	WASHER, SEAL 8	7							
25	2	22190-120002	WASHER, SEAL 12	1							
26	2	22190-220002	WASHER, SEAL 22	1							
27	2	23414-080000	GASKET, 8X1.0	1							
28	2	24311-000070	O-RING, 1AP7.0	1							
29	2	24311-000120	O-RING, 1AP12.0	8							
30	2	24311-000320	O-RING, 1AP32.0	2							
31	2	24321-000600	O-RING, 1AG60.0	1							
32	2	24341-000240	O-RING, 1AS24.0	1							
33	2	24341-000530	O-RING, 1AS53.0	1							
34	2	24351-030750	O-RING, 1A3075	1							

Remarks  
(1)Optional parts.

## Parts No. Index

Parts No.	Fig. No.	Ref. No.	Parts No.	Fig. No.	Ref. No.	Parts No.	Fig. No.	Ref. No.	Parts No.	Fig. No.	Ref. No.	
105010-39140	11	5	119810-77340	18	29	124160-11340	21	5	129495-55610	20	20	
114250-39450	11	1	119852-51630	13	73	124160-11360	4	60	129495-55620	20	21	
114250-53080	15	5	119852-51640	13	74	124223-39900	11	3	129509-79700	4	57	
114250-53120	15	9	119852-51650	13	76	124240-01871	2	21	129612-52100	20	3	
114250-53130	15	10	119934-59910	13	134	124465-44950	12	39	129657-51590	13	63	
114250-53140	15	11	120130-22301	9	23		21	17	129657-51600	13	64	
114250-53210	15	12	121236-77340	18	30	124722-59050	16	6	129672-53010	15	2	
119000-35140	10	31	121252-39150	11	4	128401-77440	18	12	129795-01900	18	1	
119000-39650	11	32	121450-42450	12	38	129004-55612	20	5	129900-01200	1	27	
119005-35151	10	50	121850-21130	9	11	129005-59830	11	13	129900-01250	1	4	
119005-77051	5	19	121850-21290	9	4	129008-51920	13	12	129900-01850	2	27	
119100-11330	4	56	121850-21920	9	5	129008-61301	14	26	129900-01870	2	28	
119129-77020	5	17	121850-49540	12	25	129052-77380	18	4	129900-02020	1	6	
	21	22		21	18	129052-77422	18	7	129900-02410	1	9	
119129-77520	5	20	121850-49550	12	27	129052-79260	18	18	129900-13251	6	5	
119131-18320	6	3		21	19	129052-79270	18	19		21	10	
	8	3	121850-49811	12	28	129065-55170	20	19	129900-14100	7	6	
119309-01810	1	30	121850-77021	5	18	129065-55750	20	16	129900-21200	9	3	
119578-91351	19	13		21	23	129065-55760	20	23	129900-21600	9	14	
		22	123325-35140	20	17	129065-55770	20	24	129900-23001	9	25	
119593-11301	4	29	123325-35160	20	18	129065-55800	20	25	129900-23200	9	28	
119595-59300	20	29	123472-59120	15	41	129100-01580	2	1	129900-23911	9	31	
119620-01750	3	3	123501-79240	18	5		3	1	129900-32030	2	6	
119620-11180	4	14	123672-55760	20	22	129122-44480	10	5		10	43	
119620-77470	18	15	123678-55890	20	26	129150-02450	7	4		21	14	
119620-77490	18	16	123900-25060	7	9	129150-11230	4	37	129900-32040	2	7	
119620-79200	18	8	123901-03240	4	74			41		21	15	
119620-79210	18	9	123901-18080	20	1	-1	129150-11750	4	19	129900-42020	12	11
119620-79220	18	10	123901-39820	11	23			38		21	16	
119620-79230	18	11	123907-11280	4	34			42	129900-49870	12	34	
119620-79250	18	6	123907-11550	4	1	129150-14200	7	1		21	20	
119620-79290	18	20	123907-11601	15	40	129150-59120	15	42	129906-51580	13	61	
119620-79300	18	21	123907-11820	4	21	129150-59131	15	45	129907-01331	1	28	
119620-79310	18	22	123907-11830	4	20	129198-59540	11	5	-1	21	2	
119620-79320	18	23	123907-39500	11	11	129238-35111	10	4	129907-03011	4	51	
119620-79330	18	24	123907-59540	16	2	129238-39100	10	34	129907-03061	4	52	
119620-79340	18	25	123907-59550	16	3	129242-55711	20	7	129907-03070	4	53	
119620-79350	18	26		21	21	129242-55720	20	8	129907-07900	4	63	
119625-11880	4	25	123907-59560	16	8	129242-55730	20	9	129907-11110	4	12	
	21	7	123910-33100	10	3	129242-55740	20	10	129907-11120	4	13	
119626-77450	18	13	123910-44780	12	16	129242-55750	20	11	129907-11250	4	31	
119640-01640	3	8	123912-33050	10	2	129242-55760	20	12	129907-11260	4	32	
119802-11870	4	24	123950-77450	18	14	129242-55770	20	13	129907-11270	4	33	
	21	6	123951-18220	5	14	129263-49750	16	5	129907-11341	4	30	
119802-13791	6	10	123951-77210	18	2	129263-77941	13	127	129907-11510	4	17	
119802-51680	13	68	123957-42451	12	14	129410-03990	4	69	129907-11650	4	35	
119802-51690	13	69	124070-13300	11	20	129418-18320	6	4	129907-11660	4	39	
119803-11340	4	15	124160-01751	2	15	129423-77720	18	17	129907-11800	4	80	
	21	4		4	49	129466-49300	10	12	129907-11920	4	43	
119803-53400	15	13	124160-11340	4	16	129472-18090	8	2	129907-11950	4	27	

## Parts No. Index

Parts No.	Fig. No.	Ref. No.
129907-11960	4	26
129907-12110	5	1
	21	8
129907-14400	7	2
129907-25900	7	15
129907-51560	13	58
129907-55801	20	6
129907-59140	16	1
129908-14581	7	3
129908-21000	9	1
129908-32060	2	4
129908-39410	11	26
129908-39610	11	21
129908-39690	11	22
129908-77010	17	1
129916-01790	3	6
129916-01800	2	26
129916-21590	9	12
129916-21610	9	7
129916-77300	18	28
129922-92610	21	1
129924-22080	9	15
129925-01720	3	7
129925-35220	10	37
129925-75050	19	1
129927-02340	1	34
129927-02930	1	24
129927-02940	1	37
129927-13810	6	12
	21	11
129927-13910	6	20
	21	12
129927-13920	6	21
	21	13
129927-23600	9	29
129927-23610	9	32
129927-25100	7	10
129927-25920	7	16
129927-39060	11	9
129927-42140	2	8
129927-44900	12	19
129927-49610	12	40
129927-49620	12	44
129927-51250	13	141
129927-51650	13	125
129927-51660	13	126
129927-51670	13	129
129927-59550	16	4
129927-59810	15	47
129927-59820	15	48

Parts No.	Fig. No.	Ref. No.
129927-59830	15	49
129927-59840	15	50
129927-75901	19	19
129927-77600	19	11
		20
129927-77680	19	12
		21
129927-77690	20	30
129927-77920	20	31
129928-11710	4	2
129928-12100	5	3
129928-12150	5	2
129928-13400	6	7
129928-13410	6	8
		9
129928-13700	5	4
129928-13710	5	5
129928-13720	5	6
129928-13900	6	19
129928-49400	12	20
129928-49410	12	21
129928-49420	12	48
129928-51390	13	25
129928-51900	13	11
129928-79700	12	57
129930-13201	20	1
	21	9
129933-11310	4	55
	21	3
129940-55610	20	4
129944-21650	9	8
129948-01500	2	3
129948-03080	4	67
129948-03310	4	76
129948-07900	4	64
129948-11300	4	50
129948-13100	6	2
129948-13150	6	1
129948-13800	6	11
129948-13810	6	13
129948-18011	8	1
129948-42110	12	1
129948-49610	12	49
129948-49620	12	53
129949-18200	5	12
129949-18210	5	13
129949-33010	10	1
129949-35200	10	32
129949-49110	10	6
129949-49820	12	18

Parts No.	Fig. No.	Ref. No.
129951-01740	2	17
129953-25300	7	14
129953-35000	10	44
129953-39500	10	27
		33
129953-39501	10	27 -1
		33 -1
129956-33110	10	17
129956-49190	10	8
129956-49210	10	9
129956-49230	10	11
129960-03990	12	50
		54
129960-21930	9	9
129960-21940	9	10
129972-03220	4	72
129972-03230	4	73
129972-03240	4	71
129972-39080	11	2
129980-49530	12	24
129981-01600	3	2
129985-11100	4	11
129C20-42290	12	15
129C26-01890	2	22
129E00-13640	6	6
129E00-22050	9	17
129E20-34871	10	16
129E23-35130	10	19
129E23-39100	10	35
144626-51090	13	13
158552-51571	13	59
158552-51580	13	62
158552-51670	13	130
158552-51781	13	101
158552-52100	13	132
158552-52311	13	110
158552-52400	13	111
158552-52500	13	133
158553-51670	13	67
158553-51680	13	79
158553-51930	13	104
	14	2
158553-61780	14	27
158557-51570	13	60
158557-61720	14	16
158563-51150	7	17
158563-51281	13	23
		24
158563-51330	13	35
158600-51270	13	22

Parts No.	Fig. No.	Ref. No.
158601-51550	13	57
158601-51650	13	128
158601-51770	13	100
158601-51790	13	102
171051-01921	1	5
171056-49120	10	15
172B02-17150	20	2
198220-51870	10	38
22190-080002	11	6
		14
		16
		18
		16
		9
		21
		24
22190-120002	12	30
	13	105
		112
		135
		28
		21
		25
22190-180002	13	106
22190-220002	3	22
		21
		26
22217-050000	13	136
22217-180000	13	113
22252-000300	9	24
22312-050140	13	114
22351-030010	11	33
22351-050010	13	115
22351-060012	1	10
22512-070140	7	7
		9
		6
22857-500100	4	58
22877-500080	19	14
		23
23000-022000	4	77
23000-025000	10	13
	11	24
23000-054000	5	15
23000-070000	5	16
23065-160250	4	78
23080-012000	12	43
		47
23414-080000	12	35
	21	27
23414-100000	11	7
23857-030000	11	15
23875-030000	12	22
		31
23876-020000	4	8

## Parts No. Index

Parts No.	Fig. No.	Ref. No.
23876-030000	1	11
		12
		13
		29
24311-000070	4	9
		2
		9
24311-000120	4	28
		61
		27
24311-000160	20	29
		14
		16
24311-000320	4	62
		30
		39
24314-000200	10	14
		40
		31
24321-000750	20	15
		32
		22
24341-000240	21	33
		10
		34
24341-000480	14	22
		33
		10
24341-000530	21	34
		70
		117
24351-030750	2	10
		34
		70
24356-190200	13	118
		71
		31
24356-240210	13	119
		59
		137
24372-000150	18	25
		23
		7
26014-080302	13	8
		32
		12
26106-060102	4	29
		12
		120
26106-060122	13	33
		23
		49
26106-060162	11	8
		17
		19
26106-060202	5	36
		58
		12

Parts No.	Fig. No.	Ref. No.
26106-080142	4	79
		8
		11
26106-080162	2	23
		29
		65
26106-080202	4	12
		18
		66
26106-080252	13	142
		24
		143
26106-080302	14	14
		14
		30
26106-080352	6	45
		21
		13
26106-080402	2	19
		10
		15
26106-080452	5	16
		13
		13
26106-080552	6	16
		13
		13
26106-080602	4	46
		47
		37
26106-080702	2	31
		20
		11
26106-080752	2	22
		11
		22
26106-080802	5	41
		17
		42
26106-080902	10	22
		17
		23
26106-100162	6	2
		75
		4
26106-100252	4	4
		5
		9
26106-100302	3	5
		9
		5
26106-100402	6	44
		48
		18
26106-100452	6	4
		14
		27
26106-100852	12	15
		51
		121
26106-101052	6	23
		2
		4
26106-120252	17	2
		4
		4
26116-050102	4	4
		5
		9
26206-100352	3	5
		9
		5
26206-100702	3	5
		9
		5
26216-060202	5	44
		48
		18
26216-100302	2	4
		48
		18
26226-080222	4	4
		48
		18
26306-080002	4	4
		14
		27
26306-100002	2	15
		51
		121
26366-060002	15	51
		121
		13

Parts No.	Fig. No.	Ref. No.
26716-050002	13	138
		122
		139
26776-180002	13	14
		10
		22
27241-160000	4	28
		24
		31
27241-300000	1	36
		1
		1
27241-400000	4	34
		1
		3
27310-070001	4	1
		31
		31
41650-550800	20	1
		1
		1
729907-01559	2	34
		1
		1
729925-51300	13	1
		31
		36
729927-02800	1	1
		31
		36
729927-22950	9	1
		1
		1
729928-01560	1	34
		1
		1
729928-22900	9	1
		1
		1
729928-53300	15	1
		1
		1
X9490561001	18	3
		3
		3

Parts No.	Fig. No.	Ref. No.
-----------	----------	----------