

0CW10-M85901EN

P R E F A C E

This parts catalog is the 2nd edition of 4TNV98T-ZNKTC and 4TNV98T-ZCNKTC for Tong Yang Moolsan Co., Ltd.

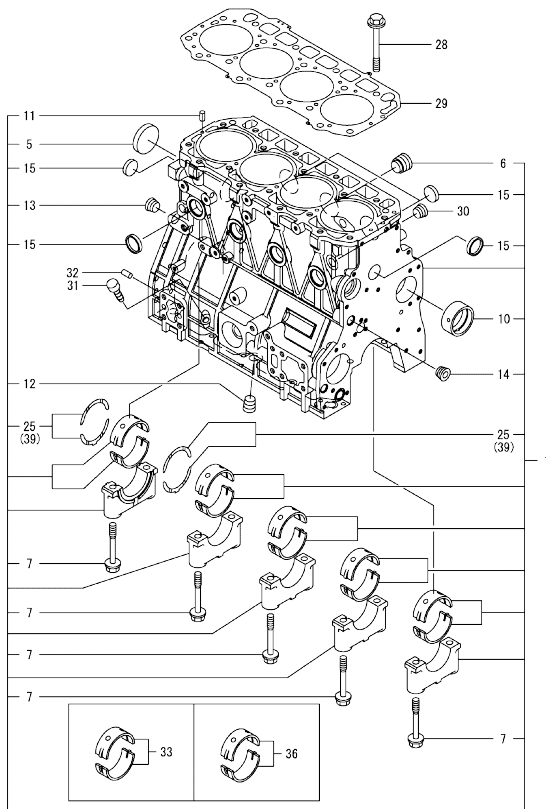
Published : June, 2017

Contents

0CW10-M85901

Fig. No.	Fig. Name	Fig. No.	Fig. Name
ENGINE			
1.	CYLINDER BLOCK		
2.	GEAR HOUSING		
3.	OIL SUMP		
4.	CYLINDER HEAD & BONNET		
5.	SUCTION MANIFOLD		
6.	EXHAUST MANIFOLD		
7.	CAMSHAFT & DRIVING GEAR		
8.	TURBINE		
9.	CRANKSHAFT & PISTON		
10.	LUB. OIL SYSTEM		
11.	LUB. OIL PIPE		
12.	COOLING WATER SYSTEM		
13.	FUEL INJECTION PUMP		
14.	GOVERNOR		
15.	FUEL INJECTION VALVE		
16.	FUEL PIPE		
17.	STARTER BRACKET		
18.	ELECTRONIC CONTROL UNIT(ECU)		
19.	ACCESSORY		
20.	GASKET SET		

Fig.1. CYLINDER BLOCK



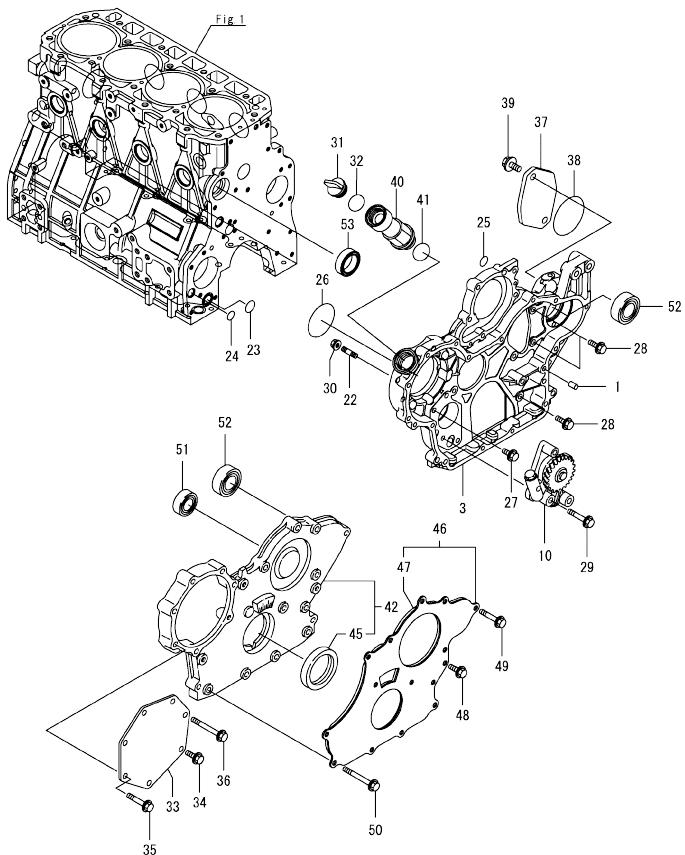
(A)=4TNV98T-ZNKTC
(B)=4TNV98T-ZCNKTC
(C)=

(D)=
(E)=
(F)=

No.	Lev.	Parts No.	Description	Q'ty						I	R
				(A)	(B)	(C)	(D)	(E)	(F)		
1	1	729928-01560	BLOCK ASSY, CYLINDER	1	1						
5	2	129900-01250	PLUG, DISH TYPE 55	1	1						
6	2	171051-01921	PLUG, NPTF1	1	1						
7	2	129900-02020	BOLT, METAL CAP	10	10						
10	2	129900-02410	BUSH, CAMSHAFT	1	1						
11	2	22351-060012	PIN, SPRING 6.0X12	2	2						
12	2	23876-030000	PLUG, R03	1	1						
13	2	23876-030000	PLUG, R03	1	1						
14	2	23876-030000	PLUG, R03	1	1						
15	2	27241-300000	PLUG 30	8	8						
25	2	129900-02931	BEARING ASSY, THRUST	2	2						
28	1	129900-01200	BOLT, CYLINDER HEAD	18	18						
29	1	129907-01331	GASKET, HEAD	1	1						
30	1	23876-030000	PLUG, R03	1	1						
31	1	124976-34850	PLUG	1	1						
32	1	129100-01580	PIN, PARALLEL 8X16	2	2						
33	1	729900-02801	BEARING, MAIN	5	5						1
36	1	129900-02341	BEARING ASSY, MAIN	5	5						2
39	1	129900-02941	BEARING, THRUST 0.25	2	2						3

Remarks
(1)Spare parts.
(2)Under-sized(U.S.=0.25) parts.
(3)Over-sized(O.S.=0.25) parts.

Fig.2. GEAR HOUSING



(A)=4TNV98T-ZNKTC
(B)=4TNV98T-ZCNKTC
(C)=

(D)=
(E)=
(F)=

No.	Lev.	Parts No.	Description	Qty						I	R
				(A)	(B)	(C)	(D)	(E)	(F)		
1	1	129100-01580	PIN, PARALLEL 8X16	4	4						
3	1	129933-01500	CASE, GEAR	1	1						
10	1	129908-32060	PUMP ASSY, OIL	1	1						
22	1	26216-100302	STUD, M10X 30	4	4						
23	1	129900-32030	O-RING, P20	1	1						
24	1	129900-32040	O-RING, P14	1	1						
25	1	24311-000070	O-RING, 1AP7.0	1	1						
26	1	24351-030750	O-RING, 1A3075	1	1						
27	1	26106-080162	BOLT, M8X 16 PLATED	1	1						
28	1	26106-080202	BOLT, M8X 20 PLATED	3	3						
29	1	26106-080452	BOLT, M8X 45 PLATED	3	3						
30	1	26306-100002	NUT, M10	4	4						
31	1	124160-01751	CAP, FILLER	1	1						
32	1	24311-000320	O-RING, 1AP32.0	1	1						
33	1	129951-01740	COVER	1	1						
34	1	26106-080202	BOLT, M8X 20 PLATED	1	1						
35	1	26106-080452	BOLT, M8X 45 PLATED	5	5						
36	1	26106-080752	BOLT, M8X 75 PLATED	1	1						
37	1	121023-26071	COVER, PUMP	1	1						
38	1	24321-000850	O-RING, 1AG85.0	1	1						
39	1	26106-100202	BOLT, M10X 20 PLATED	2	2						
40	1	171031-11741	PIPE	1	1						
41	1	24311-000320	O-RING, 1AP32.0	1	1						
42	1	729907-01559	COVER ASSY,GEAR CASE	1	1						
45	2	129916-01800	SEAL, OIL	1	1						
46	1	129900-01850	COVER ASSY,GEAR CASE	1	1						
47	2	129900-01870	SPONGE, GEAR CASE	1	1						
48	1	26106-080162	BOLT, M8X 16 PLATED	3	3						
49	1	26106-080402	BOLT, M8X 40 PLATED	5	5						
50	1	26106-080702	BOLT, M8X 70 PLATED	6	6						
51	1	129900-14140	BEARING, BALL 6205	1	1						
52	1	129900-26250	BEARING, BALL 6206C3	2	2						
53	1	129927-42140	GASKET, CW-P OUT	1	1						W

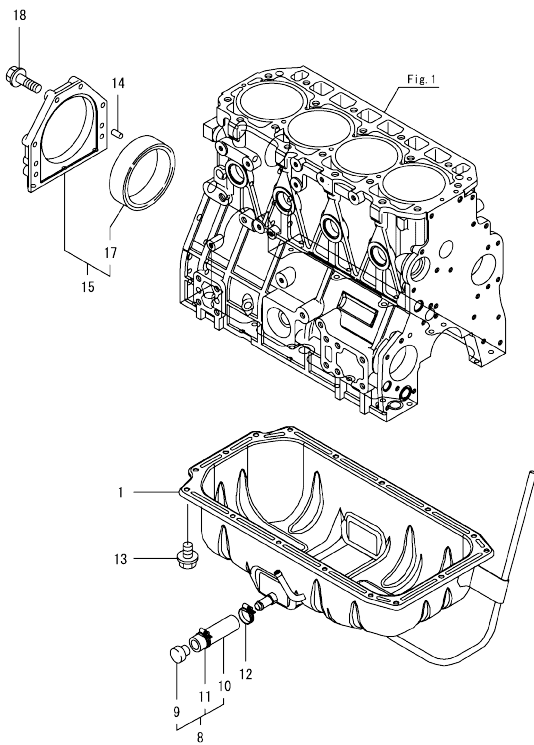
(A)=EU2969)

0CW10-M85901 ENGINE
 Fig.3. OIL SUMP

0CW10-M85901 Fig.3

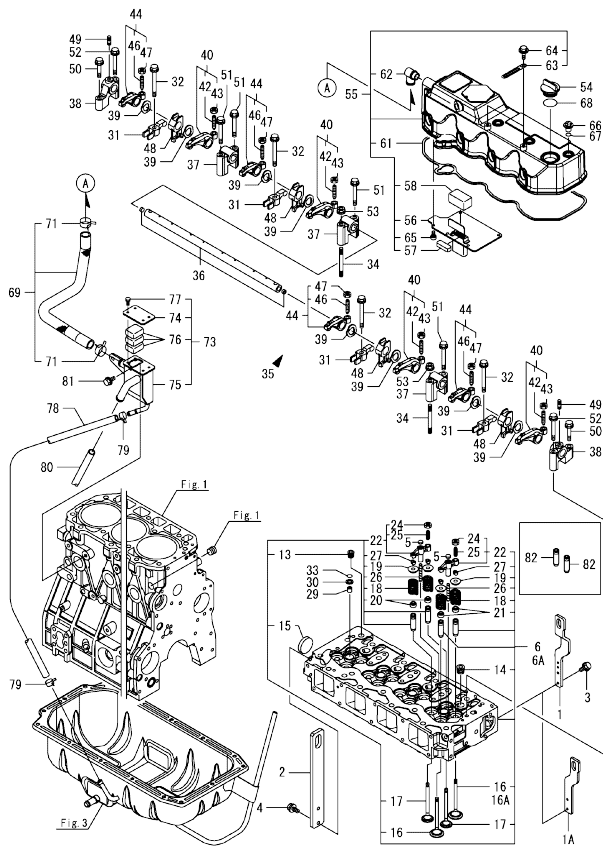
(A)=4TNV98T-ZNKTC
 (B)=4TNV98T-ZCNKTC
 (C)=

(D)=
 (E)=
 (F)=



No.	Lev.	Parts No.	Description	Q'ty					
				(A)	(B)	(C)	(D)	(E)	(F)
1	1	129974-01880	OIL PAN ASSY	1	1				
8	1	119540-39950	HOSE ASSY, OIL DRAIN	1	1				
9	2	119656-39931	PLUG	1	1				
10	2	119540-39960	HOSE, DRAIN	1	1				
11	2	23001-022000	CLAMP, HOSE 22	1	1				
12	1	23001-022000	CLAMP, HOSE 22	1	1				
13	1	26106-080122	BOLT, M8X 12 PLATED	16	16				
14	1	129100-01580	PIN, PARALLEL 8X16	2	2				
15	1	129966-01650	CASE ASSY, OIL SEAL	1	1				
17	2	129916-01790	SEAL, D115/95XT11	1	1				
18	1	129486-01670	BOLT, M8X30	6	6				

Fig.4. CYLINDER HEAD & BONNET



(A)=4TNV98T-ZNKTC
(B)=4TNV98T-ZCNKTC
(C)=

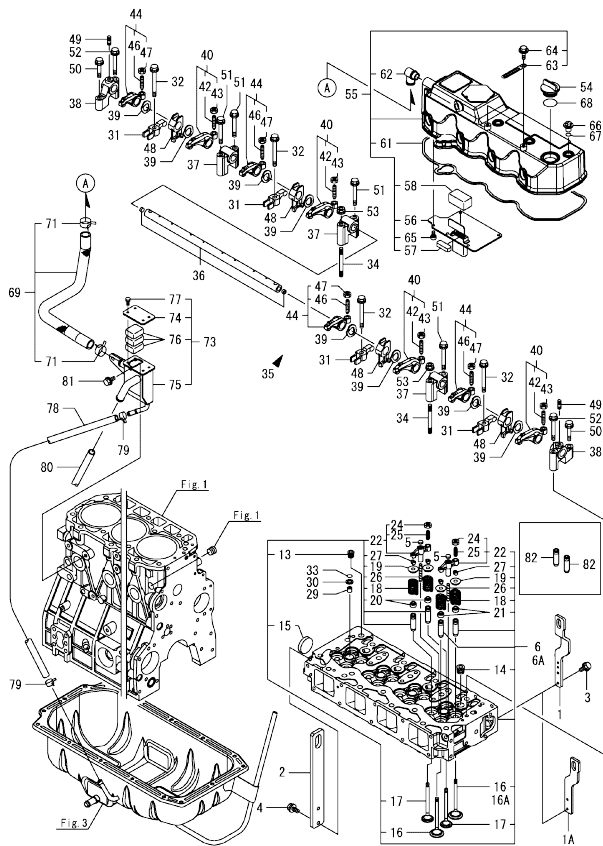
(D)=
(E)=
(F)=

No.	Lev.	Parts No.	Description	Q'ty						I	R	
				(A)	(B)	(C)	(D)	(E)	(F)			
1	1	129973-07901	LIFTER		1							
1A	1	129974-07950	LIFTER			1						
2	1	129973-07910	LIFTER		1							
3	1	26106-080202	BOLT, M8X 20 PLATED		2	2						
4	1	26106-080202	BOLT, M8X 20 PLATED		2	2						
5	1	123907-11550	SEAT, VALVE BRIDGE		8	8						
6	1	129928-11700	HEAD ASSY, CYLINDER		1							
6A	1	129928-11710	HEAD ASSY, CYLINDER				1					
13	2	23876-020000	PLUG, R02		1	1						
14	2	23876-030000	PLUG, R03		4	4						
15	2	27241-400000	PLUG, 40		1	1						
16	2	129907-11100	VALVE, SUCTION		8							
16A	2	129985-11100	VALVE, INTAKE				8					
17	2	129907-11110	VALVE, EXHAUST		8	8						
18	2	129907-11120	SPRING, VALVE		16	16						
19	2	119620-11180	RETAINER, SPRING		16	16						
20	2	119803-11340	SEAL, VALVE STEM		8	8						
21	2	124160-11340	SEAL, VALVE STEM		8	8						
22	2	129907-11510	BRIDGE ASSY, VALVE		8	8						
24	3	129150-11750	NUT, M8		8	8						
25	3	123907-11830	ADJUSTER		8	8						
26	2	123907-11820	GUIDE, BRIDGE		8	8						
27	2	27310-070001	COTTER, 7		16	16						
29	1	119802-11870	PROTECTOR, NOZZLE		4	4						
30	1	119625-11880	SEAT, NOZZLE		4	4						
31	1	129907-11910	RETAINER, NOZZLE		4	4						
32	1	129907-11950	BOLT, M8X75		4	4						
33	1	24311-000120	O-RING, 1AP12.0		4	4						
34	1	119593-11301	BOLT, STUD M8X80		2	2						
35	1	129907-11341	SHAFT ASSY, ROCKER		1	1						1
36	2	129907-11250	SHAFT, ROCKER ARM		1	1						
37	2	129907-11260	SUPPORT, ROCKER ARM		3	3						
38	2	129907-11270	SUPPORT, ROCKER ARM		2	2						
39	2	123907-11280	WASHER		8	8						
40	2	129907-11650	ARM ASSY, ROCKER		4	4						
42	3	129150-11230	SCREW, VALVE ADJUST		4	4						
43	3	129150-11750	NUT, M8		4	4						
44	2	129907-11660	ARM ASSY, ROCKER		4	4						
46	3	129150-11230	SCREW, VALVE ADJUST		4	4						
47	3	129150-11750	NUT, M8		4	4						
48	2	129907-11920	RETAINER, NOZZLE		4	4						
49	2	26226-080222	STUD, M8X 22		2	2						
50	1	26106-080402	BOLT, M8X 40 PLATED		2	2						
51	1	26106-080602	BOLT, M8X 60 PLATED		4	4						
52	1	26106-080602	BOLT, M8X 60 PLATED		2	2						
53	1	26306-080002	NUT, M8		2	2						
54	1	124160-01751	CAP, FILLER		1	1						
55	1	129948-11300	BONNET ASSY, HEAD		1	1						
56	2	129907-03011	PLATE, BAFFLE		1	1						
57	2	129907-03061	BAFFLE, BREATHER		1	1						
58	2	129907-03070	BAFFLE, BREATHER		1	1						

Remarks

- (1)Include No.36 to No.49.
- (2)Spare parts.

Fig.4. CYLINDER HEAD & BONNET



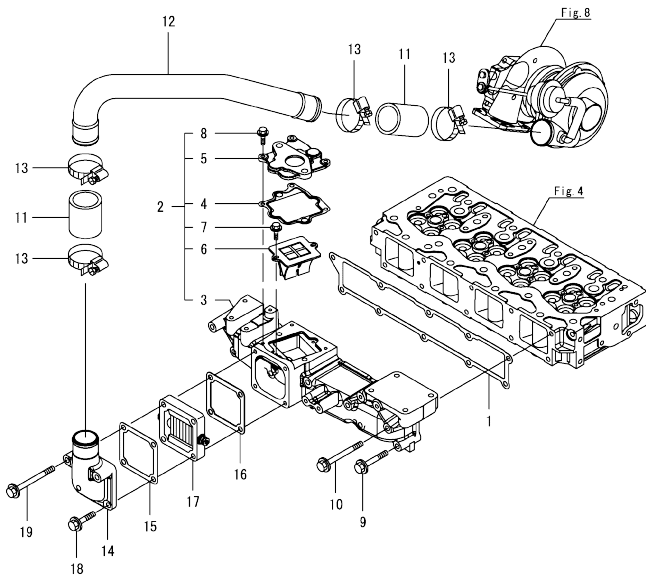
(A)=4TNV98T-ZNKTC
 (B)=4TNV98T-ZCNKTC
 (C)=

(D)=
 (E)=
 (F)=

No.	Lev.	Parts No.	Description	Q'ty						I	R
				(A)	(B)	(C)	(D)	(E)	(F)		
61	2	129933-11310	GASKET, BONNET	1	1						
62	2	119100-11330	ELBOW, BREATHER	1	1						
63	2	129509-79700	CLAMP, 140-M6	2	2						
64	2	22857-500100	SCREW, 5X10	6	6						
65	2	26106-060122	BOLT, M6X 12 PLATED	2	2						
66	1	124160-11360	KNOB	4	4						
67	1	24311-000120	O-RING, 1AP12.0	4	4						
68	1	24311-000320	O-RING, 1AP32.0	1	1						
69	1	129948-03080	HOSE ASSY, BREATHER	1	1						
71	2	129410-03990	CLAMP, HOSE 21.5	2	2						
73	1	129972-03240	SEPARATOR ASSY, MIST	1	1						
74	2	129972-03220	COVER, SEPARATOR	1	1						
75	2	129972-03230	SEPARATOR, MIST	1	1						
76	2	123901-03240	FILTER	3	3						
77	2	26116-050102	BOLT, M5X 10 PLATED	4	4						
78	1	123912-03250	HOSE	1	1						
79	1	23000-022000	CLAMP, 22	2	2						
80	1	23065-160250	PIPE, 16X 250	1	1						
81	1	26106-080142	BOLT, M8X 14 PLATED	2	2						
82	1	129907-11800	GUIDE, VALVE	16	16						2

Remarks
 (1)Include No.36 to No.49.
 (2)Spare parts.

Fig.5. SUCTION MANIFOLD

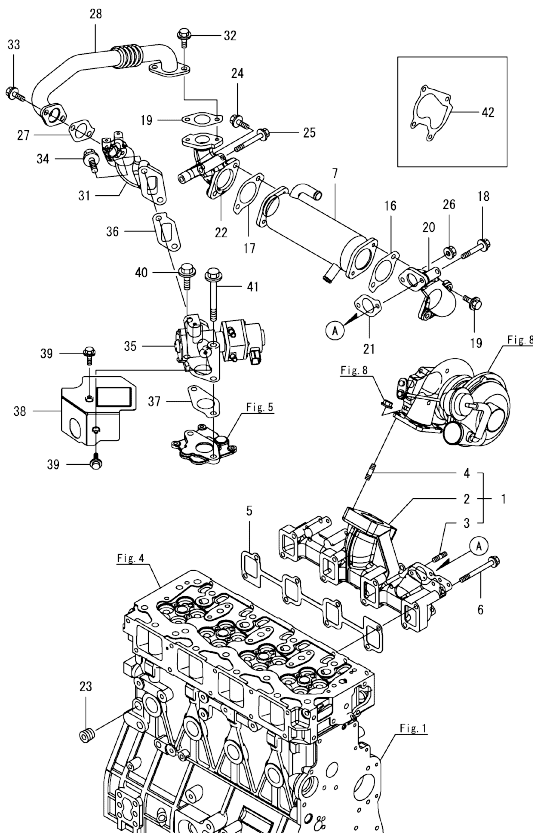


(A)=4TNV98T-ZNKTC
(B)=4TNV98T-ZCNKTC
(C)=

(D)=
(E)=
(F)=

No.	Lev.	Parts No.	Description	Q'ty						I	R
				(A)	(B)	(C)	(D)	(E)	(F)		
1	1	129907-12110	GASKET, MANIFOLD	1	1						
2	1	129973-12160	MANIFOLD ASSY,INTAKE	1							
2-1	1	129973-12161	MANIFOLD CMP,INTAKE	1	1						N
(A=2013.09.)											
3	2	129973-12101	MANIFOLD,INTAKE	1							
3-1	2	129973-12102	MANIFOLD,INTAKE	1	1						N
(A=2013.09.)											
4	2	129973-12110	GASKET	1	1						
5	2	129973-12200	SPACER	1	1						
6	2	129928-13700	VALVE, LEAD	1	1						
7	2	26106-060142	BOLT, M6X 14 PLATED	2	2						
8	2	26106-060182	BOLT, M6X 18 PLATED	3	3						
9	1	26106-080552	BOLT, M8X 55 PLATED	5	5						
10	1	26106-080852	BOLT, M8X 85 PLATED	5	5						
11	1	123951-18220	JOINT, RUBBER	2	2						
12	1	129973-18250	DUCT, AIR	1	1						
13	1	23000-054000	CLAMP, 54	4	4						
14	1	129973-12850	BEND, INTAKE	1	1						
15	1	119129-77020	GASKET	1	1						
16	1	121850-77021	GASKET, AIR HEATER	1	1						
17	1	119005-77051	HEATER, AIR	1	1						
18	1	26106-080402	BOLT, M8X 40 PLATED	2	2						
19	1	26106-080702	BOLT, M8X 70 PLATED	2	2						

Fig.6. EXHAUST MANIFOLD



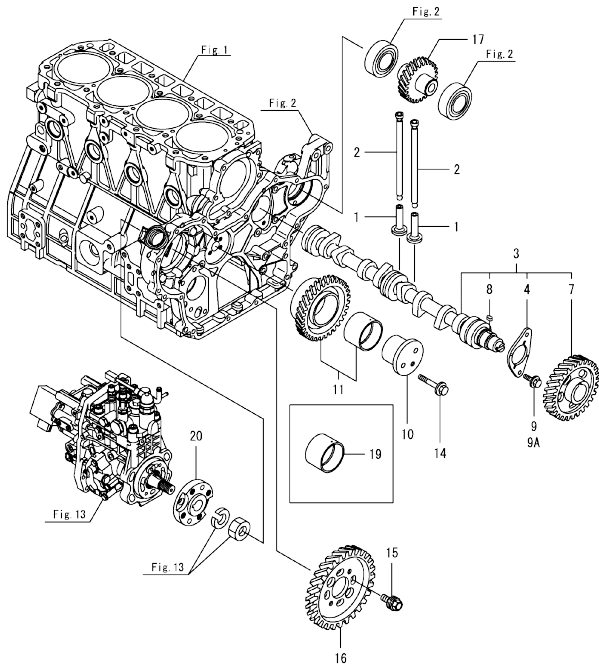
(A)=4TNV98T-ZNKTC
(B)=4TNV98T-ZCNKTC
(C)=

(D)=
(E)=
(F)=

No.	Lev.	Parts No.	Description	Q'ty						I	R
				(A)	(B)	(C)	(D)	(E)	(F)		
1	1	129973-13160	MANIFOLD ASSY,EXH	1	1						
2	2	129973-13110	MANIFOLD, EXHAUST	1	1						
3	2	129418-18320	BOLT, STUD M8X20	1	1						
4	2	129418-18320	BOLT, STUD M8X20	4	4						
5	1	129900-13251	GASKET, EXH.MANIFOLD	1	1						
6	1	123900-13630	BOLT, M8X80	8							
6-1	1	129E00-13640	BOLT, M8X80 10.9T	8	8						N
		(A=EU2969)									
7	1	129973-13400	COOLER, EGR	1	1						
16	1	129928-13410	GASKET	1	1						
17	1	129928-13410	GASKET	1	1						
18	1	119802-13620	BOLT, M8X50	1							
18-1	1	129E00-13610	BOLT, M8X50 10.9	1	1						N
		(A=EU2969)									
19	1	119802-13790	BOLT, M8X25 10.9T	2							
19-1	1	119802-13791	BOLT, M8X25 10.9T	2	2						N
		(A=EU2969)									
20	1	129973-13801	BEND,EGR COOLER IN	1	1						
21	1	129927-13810	GASKET	1	1						
22	1	129973-13811	BEND,EGR COOLER OUT	1	1						
23	1	23876-030000	PLUG, R03	1	1						
24	1	26106-080222	BOLT, M8X 22 PLATED	2	2						
25	1	26106-080652	BOLT, M8X 65 PLATED	2	2						
26	1	26306-080002	NUT, M8	1	1						
27	1	129927-13810	GASKET	2	2						
28	1	129973-13820	PIPE ASSY	1	1						
31	1	129973-13840	PIPE	1	1						
32	1	26106-080162	BOLT, M8X 16 PLATED	2	2						
33	1	26106-080162	BOLT, M8X 16 PLATED	2	2						
34	1	26106-100302	BOLT, M10X 30 PLATED	2	2						
35	1	129927-13900	VALVE, EGR	1	1						
36	1	129927-13910	GASKET, EGR	1	1						
37	1	129927-13920	GASKET, EGR	1	1						
38	1	129973-13961	COVER	1	1						
39	1	26106-060162	BOLT, M6X 16 PLATED	2	2						
40	1	26106-100402	BOLT, M10X 40 PLATED	1	1						
41	1	26106-101052	BOLT, M10X105 PLATED	1	1						
42	1	123901-18080	GASKET	1	1						1

Remarks
(1)Loose parts.

Fig.7. CAMSHAFT & DRIVING GEAR



(A)=4TNV98T-ZNKTC
(B)=4TNV98T-ZCNKTC
(C)=

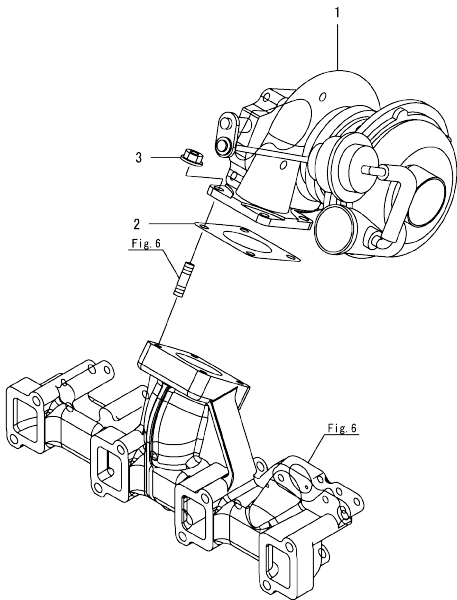
(D)=
(E)=
(F)=

No.	Lev.	Parts No.	Description	Q'ty						I	R
				(A)	(B)	(C)	(D)	(E)	(F)		
1	1	129150-14200	TAPPET	8	8						
2	1	129907-14400	PUSH-ROD	8	8						
3	1	129908-14581	CAMSHAFT ASSY	1	1						
4	2	129150-02450	BEARING, THRUST	1	1						
7	2	129900-14100	GEAR, CAMSHAFT	1	1						
8	2	22512-070140	KEY, 7X 14	1	1						
9	1	26106-080162	BOLT, M8X 16 PLATED	2							Z
9A	1	26106-080142	BOLT, M8X 14 PLATED	2	2						W
10	1	123900-25060	SHAFT, IDLE GEAR	1	1						
11	1	129900-25100	GEAR ASSY, IDLE	1	1						
14	1	26106-080552	BOLT, M8X 55 PLATED	3	3						
15	1	129953-25300	BOLT	4	4						
16	1	129907-25900	GEAR, PUMP	1	1						
17	1	129900-26000	GEAR ASSY, PUMP	1	1						
19	1	129150-25920	BUSH, IDLE GEAR	1	1						1
20	1	158563-51150	FLANGE	1	1						

Remarks

(1)Spare parts.

0CW10-M85901 ENGINE
 Fig.8. TURBINE

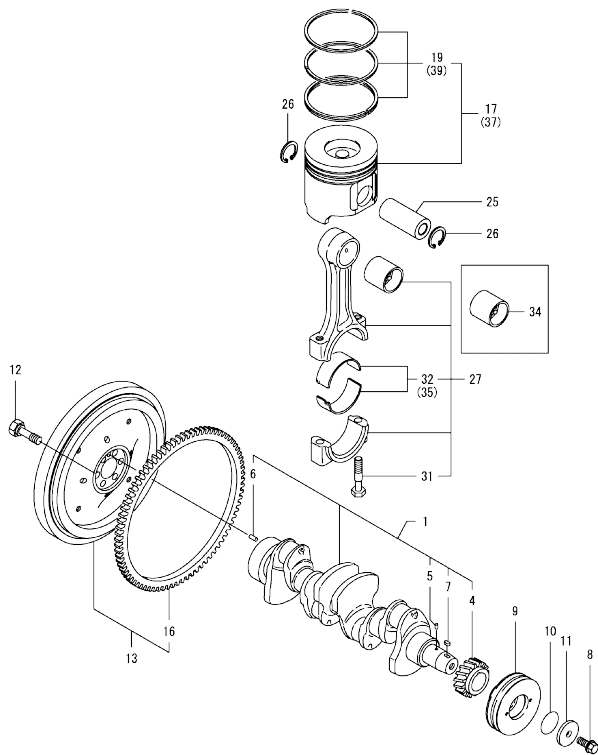


(A)=4TNV98T-ZNKTC
 (B)=4TNV98T-ZCNKTC
 (C)=

(D)=
 (E)=
 (F)=

No.	Lev.	Parts No.	Description	Q'ty						
				(A)	(B)	(C)	(D)	(E)	(F)	
1	1	129908-18011	TURBOCHARGER, RHF5	1	1					
2	1	129472-18090	GASKET	1	1					
3	1	26306-080002	NUT, M8	4	4					

Fig.9. CRANKSHAFT & PISTON



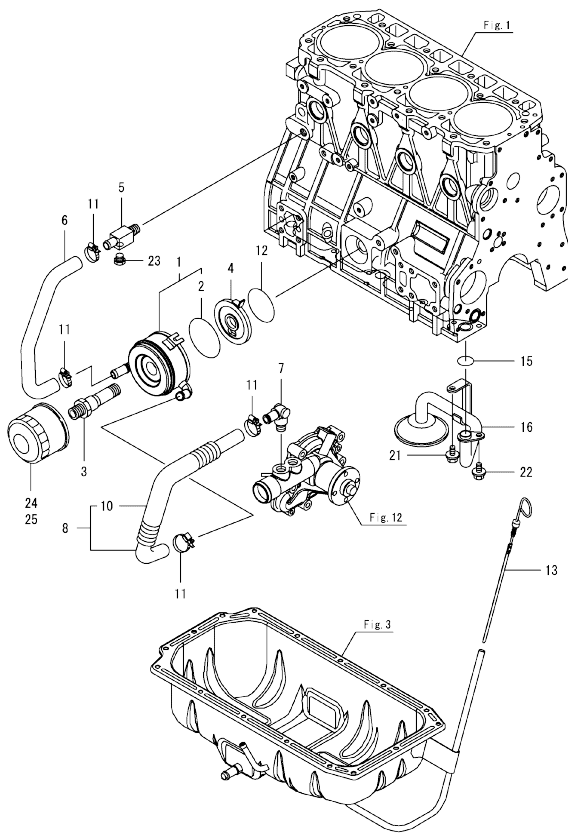
(A)=4TNV98T-ZNKTC
(B)=4TNV98T-ZCNKTC
(C)=

(D)=
(E)=
(F)=

No.	Lev.	Parts No.	Description	Q'ty						I	R
				(A)	(B)	(C)	(D)	(E)	(F)		
1	1	129908-21000	CRANKSHAFT ASSY	1	1						
4	2	129900-21200	GEAR, CRANKSHAFT	1	1						
5	2	121850-21290	PIN	1	1						
6	2	121850-21920	PIN, PARALLEL 10X22	1	1						
7	2	22512-070140	KEY, 7X 14	1	1						
8	1	129916-21610	BOLT	1	1						
9	1	129972-21660	V-PULLEY, CRANKSHAFT	1							
9-1	1	129974-21660 (A=EQ0373)	V-PULLEY, 150	1	1						N
10	1	129960-21930	GASKET, WASHER	1	1						
11	1	129960-21940	WASHER, V-PULLEY	1	1						
12	1	121850-21130	BOLT, FLYWHEEL	6	6						
13	1	129960-21590	FLYWHEEL ASSY	1	1						
16	2	129900-21600	GEAR, RING	1	1						
17	1	129928-22080	PISTON ASSY	4	4						
19	2	129927-22050	RING SET, PISTON	4	4						
25	1	120130-22301	PIN, PISTON	4	4						
26	1	22252-000300	RING, 30	8	8						
27	1	129900-23001	ROD ASSY, CONNECTING	4	4						
31	2	129900-23200	BOLT, CONNECTING ROD	8	8						
32	1	129900-23601	BEARING, CRANK PIN	4	4						
34	1	129900-23911	BEARING, PISTON PIN	4	4						1
35	1	129900-23611	BEARING ASSY, 0.25US	4	4						2
37	1	729928-22900	PISTON ASSY, 0.25 OS	4	4						3
39	2	729927-22950	RING SET, 0.25 OS	4	4						3

Remarks
(1)Spare parts.
(2)Under-sized(U.S.=0.25) parts.
(3)Over-sized(O.S.=0.25) parts.

Fig.10. LUB. OIL SYSTEM



(A)=4TNV98T-ZNKTC
(B)=4TNV98T-ZCNKTC
(C)=

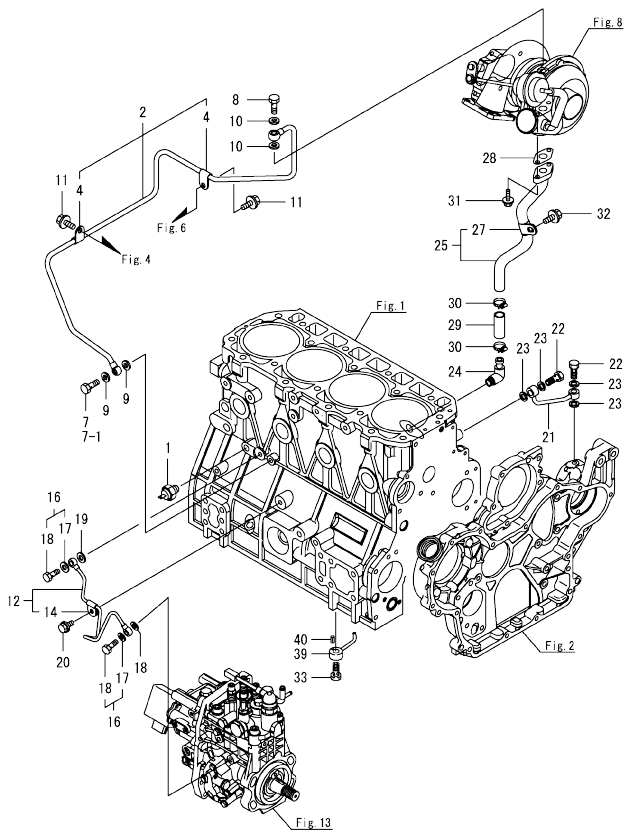
(D)=
(E)=
(F)=

No.	Lev.	Parts No.	Description	Q'ty						I	R
				(A)	(B)	(C)	(D)	(E)	(F)		
1	1	129908-33010	COOLER ASSY, OIL	1	1						
2	2	123912-33050	O-RING	1	1						
3	1	123912-33100	BOLT, COOLER	1	1						
4	1	129908-33101	BRACKET, OIL COOLER	1	1						
5	1	129006-44480	JOINT	1	1						
6	1	129908-49060	HOSE, WATER	1	1						
7	1	129466-49300	ELBOW, PT3/8	1	1						
8	1	123910-49600	HOSE ASSY WATER	1	1						
10	2	123910-49610	TUBE, CORRUGATED	1	1						
11	1	23000-025000	CLAMP, 25	4	4						
12	1	24321-000600	O-RING, 1AG60.0	1	1						
13	1	129974-34810	DIPSTICK, OIL	1	1						
15	1	129900-32030	O-RING, P20	1	1						
16	1	129930-35000	PIPE ASSY, OIL INLET	1	1						
21	1	26106-080122	BOLT, M8X 12 PLATED	1	1						
22	1	26106-080122	BOLT, M8X 12 PLATED	1	1						
23	1	171056-49120	PLUG, DRAIN R1/4	1	1						
24	1	129150-35153	FILTER ASSY, D80X80L	1							1
25	1	119005-35151	FILTER, D80X100		1						1

Remarks

(1)Spare parts.

Fig.11. LUB. OIL PIPE

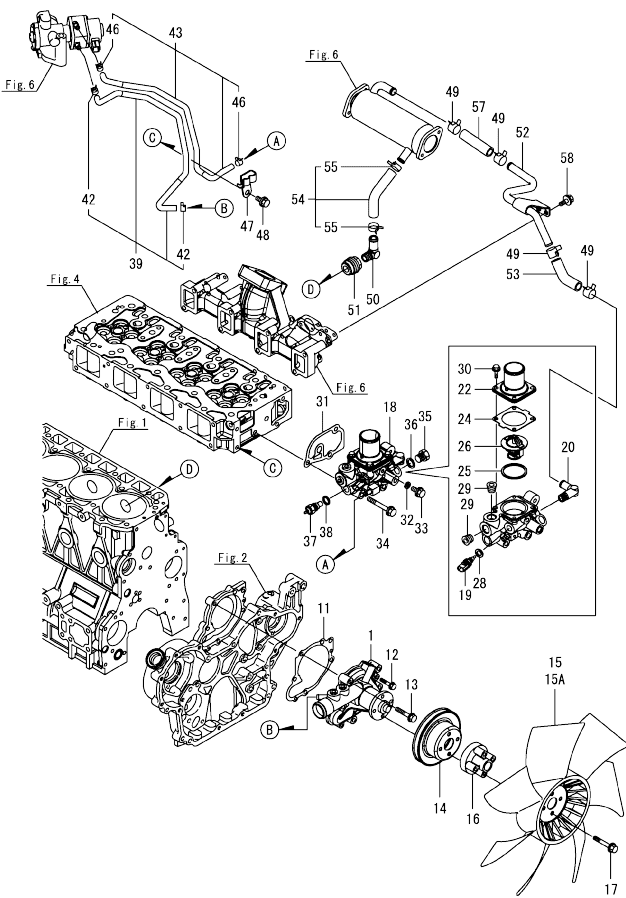


(A)=4TNV98T-ZNKTC
(B)=4TNV98T-ZCNKTC
(C)=

(D)=
(E)=
(F)=

No.	Lev.	Parts No.	Description	Q'ty						I	R
				(A)	(B)	(C)	(D)	(E)	(F)		
1	1	119761-39450	SWITCH, HYDRAULIC	1	1						
2	1	129973-39070	PIPE ASSY, OIL	1	1						
4	2	124223-39900	RETAINER	2	2						
7	1	105010-39140	BOLT, PIPE JOINT	1	1						
7-1	1	129198-59540	BOLT, PIPE JOINT M8	1	1						S
				(A=*2020.06)		(B=*2020.06)					
8	1	121252-39150	BOLT, JOINT M10X1.5	1	1						
9	1	22190-080002	WASHER, SEAL 8	2	2						
10	1	23414-100000	GASKET, 10X1.0	2	2						
11	1	26106-080122	BOLT, M8X 12 PLATED	2	2						
12	1	129927-39060	PIPE ASSY, OIL	1	1						
14	2	123907-39500	RETAINER, PIPE	1	1						
16	1	129005-59830	BOLT ASSY, JOINT M8	2	2						
17	2	22190-080002	WASHER, SEAL 8	2	2						
18	2	23857-030000	BOLT, JOINT 3	2	2						
19	1	22190-080002	WASHER, SEAL 8	2	2						
20	1	26106-080122	BOLT, M8X 12 PLATED	1	1						
21	1	129930-39050	PIPE, OIL	1	1						
22	1	105010-39140	BOLT, PIPE JOINT	2	2						
23	1	22190-080002	WASHER, SEAL 8	4	4						
24	1	124070-13300	ELBOW, PT3/8	1	1						
25	1	129973-39670	PIPE ASSY, OIL	1	1						
27	2	123910-39850	RETAINER	1	1						
28	1	129908-39690	GASKET	1	1						
29	1	129974-39820	HOSE, LO RETURN	1	1						
30	1	23000-025000	CLAMP, 25	2	2						
31	1	26106-060162	BOLT, M6X 16 PLATED	2	2						
32	1	26106-080122	BOLT, M8X 12 PLATED	1	1						
33	1	129908-39410	VALVE ASSY, CHECK	4	4						
39	1	119000-39650	NOZZLE, COOLING	4	4						
40	1	22351-030010	PIN, SPRING 3.0X10	4	4						

Fig.12. COOLING WATER SYSTEM



(A)=4TNV98T-ZNKTC
(B)=4TNV98T-ZCNKTC
(C)=

(D)=
(E)=
(F)=

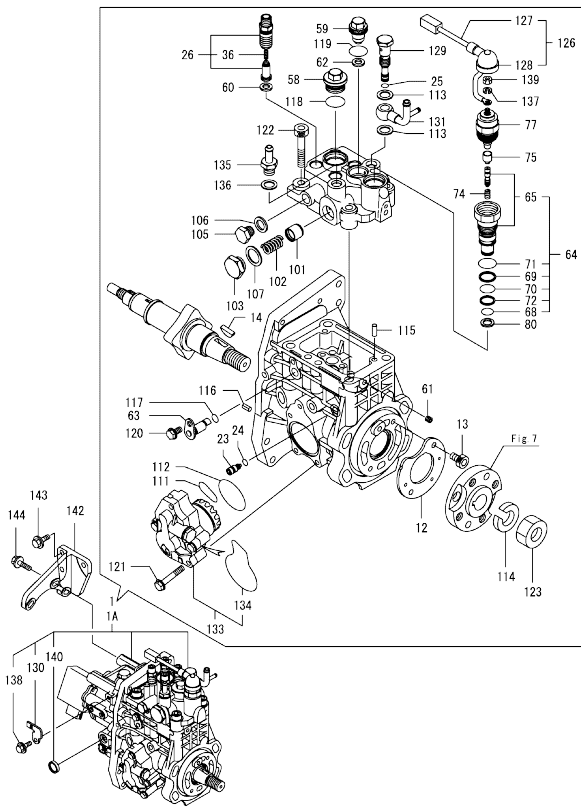
No.	Lev.	Parts No.	Description	Q'ty						I	R
				(A)	(B)	(C)	(D)	(E)	(F)		
1	1	129927-42000	PUMP ASSY, WATER	1							
1-1	1	129927-42001 (A=E96626)	PUMP ASSY, WATER	1	1						R
11	1	129900-42020	GASKET, WATER PUMP	1	1						
12	1	26106-060302	BOLT, M6X 30 PLATED	2	2						
13	1	26106-080552	BOLT, M8X 55 PLATED	5	5						
14	1	129930-42450	V-PULLEY, C.W.PUMP	1	1						
15	1	129907-44740	FAN, COOLING D430X7	1							
15A	1	129631-44740	FAN, 430X7	1							
16	1	119141-44760	SPACER, FAN	1	1						
17	1	26106-080552	BOLT, M8X 55 PLATED	4	4						
18	1	129949-49850	CASE ASSY.THERMOSTAT	1	1						
19	2	129927-44900	SENSOR, WATER TEMP.	1	1						
20	2	129973-49400	ELBOW, R3/8	1	1						
22	2	129916-49530	COVER, THERMOSTAT	1	1						
24	2	121850-49540	GASKET, THERMOSTAT	1	1						
25	2	121850-49550	GASKET, THERMOSTAT	1	1						
26	2	121850-49811	THERMOSTAT, 71C	1	1						
28	2	22190-120002	WASHER, SEAL 12	1	1						
29	2	23875-030000	PLUG, R03	2	2						
30	2	26106-060202	BOLT, M6X 20 PLATED	4	4						
31	1	129900-49870	GASKET, THERMOSTAT	1	1						
32	1	23414-080000	GASKET, 8X1.0	1	1						
33	1	26106-080122	BOLT, M8X 12 PLATED	1	1						
34	1	26106-080602	BOLT, M8X 60 PLATED	3	3						
35	1	121450-42450	PLUG, M16	1	1						
36	1	124465-44950	GASKET, 16	1	1						
37	1	124250-49351	SENSOR, WATER TEMP.	1	1						
38	1	129150-49360	GASKET	1	1						
39	1	129968-49610	PIPE, WATER	1	1						
42	2	23080-012000	CLAMP, 12	2	2						
43	1	129968-49620	PIPE, WATER	1	1						
46	2	23080-012000	CLAMP, 12	2	2						
47	1	129968-49850	RETAINER, PIPE	1	1						
48	1	26106-080142	BOLT, M8X 14 PLATED	1	1						
49	1	23000-022000	CLAMP, 22	4	4						
50	1	124070-13300	ELBOW, PT3/8	1	1						
51	1	129973-49110	JOINT	1	1						
52	1	129973-49640	PIPE, WATER	1	1						
53	1	129973-49680	PIPE, WATER	1	1						
54	1	129973-49740	PIPE ASSY, WATER	1	1						
55	2	129960-03990	CLAMP, HOSE 19.8	2	2						
57	1	129973-49780	JOINT	1	1						
58	1	26106-080162	BOLT, M8X 16 PLATED	2	2						

Fig.13. FUEL INJECTION PUMP

(A)=4TNV98T-ZNKTC
(B)=4TNV98T-ZCNKTC
(C)=

(D)=
(E)=
(F)=

No.	Lev.	Parts No.	Description	Q'ty						I	R	
				(A)	(B)	(C)	(D)	(E)	(F)			
1	1	729974-51410	FIE ASSY	1							1	
1A	1	729975-51330	FIE ASSY		1							1
12	2	129928-51900	COVER	1	1							
13	2	129008-51920	BOLT, SOCKET M6X10		2	2						
14	2	144626-51090	FEATHER KEY, 5X19		1	1						
23	2	158600-51270	STOPPER, TAPPET		1	1						
24	2	158563-51281	O-RING, 4D S6		1	1						
25	2	158563-51281	O-RING, 4D S6		1	1						
26	2	129928-51390	VALVE ASSY, DELIVERY	4	4							
36	3	158563-51330	SPRING, DELIVERY	4	4							
58	2	158601-51550	PLUG, M22		1	1						
59	2	129907-51560	PLUG, M16		1	1						
60	2	158552-51571	GASKET, PLUG	4	4							
61	2	158557-51570	PLUG, RACK		1	1						
62	2	129906-51580	GASKET, PLUG		1	1						
63	2	158552-51580	LIFTER, LINK		1	1						
64	2	129657-51590	TIMER ASSY		1	1						
65	3	129657-51600	TIMER ASSY		1	1						
68	3	158553-51670	O-RING		1	1						
69	3	119802-51680	RING, BACKUP		1	1						
70	3	119802-51690	O-RING		1	1						
71	3	24356-190200	O-RING, 4D19020		1	1						
72	3	24372-000150	RING, BACK UP T2P15		1	1						
74	2	119852-51630	SPRING, TIMER		1	1						
75	2	119852-51640	CAP, TIMER		1	1						
77	2	119852-51650	VALVE ASSY, SOLENOID		1	1						
80	2	158553-51680	GASKET, TIMER		1	1						
101	2	158601-51770	PISTON, ACCUMULATOR		1	1						
102	2	158552-51781	SPRING, ACCUMULATOR		1	1						
103	2	158601-51790	PLUG		1	1						
105	2	158553-51930	PLUG, M12		1	1						
106	2	22190-120002	WASHER, SEAL 12		1	1						
107	2	22190-180002	WASHER, SEAL 18		1	1						
111	2	158552-52311	O-RING		1	1						
112	2	158552-52400	O-RING, 4E S42		1	1						
113	2	22190-120002	WASHER, SEAL 12		2	2						
114	2	22217-180000	WASHER, SPRING 18		1	1						
115	2	22312-050140	PIN, PARALLEL 5X14		2	2						
116	2	22351-050010	PIN, SPRING 5.0X10		2	2						
117	2	24311-000070	O-RING, 1AP7.0		1	1						
118	2	24356-190200	O-RING, 4D19020		1	1						
119	2	24356-240210	O-RING, 4D24021		1	1						
120	2	26106-060102	BOLT, M6X 10 PLATED		1	1						
121	2	26106-060352	BOLT, M6X 35 PLATED		4	4						
122	2	26450-100452	BOLT, M10X 45		4	4						
123	2	26776-180002	NUT, LOCK M18		1	1						
126	2	129927-51650	HARNES ASSY, WIRE		1	1						
127	3	129927-51660	HARNES		1	1						
128	3	129263-77941	CAP, RUBBER		1	1						
129	2	158601-51650	JOINT, OVER FLOW		1	1						
130	2	129927-51670	BRACKET		1	1						



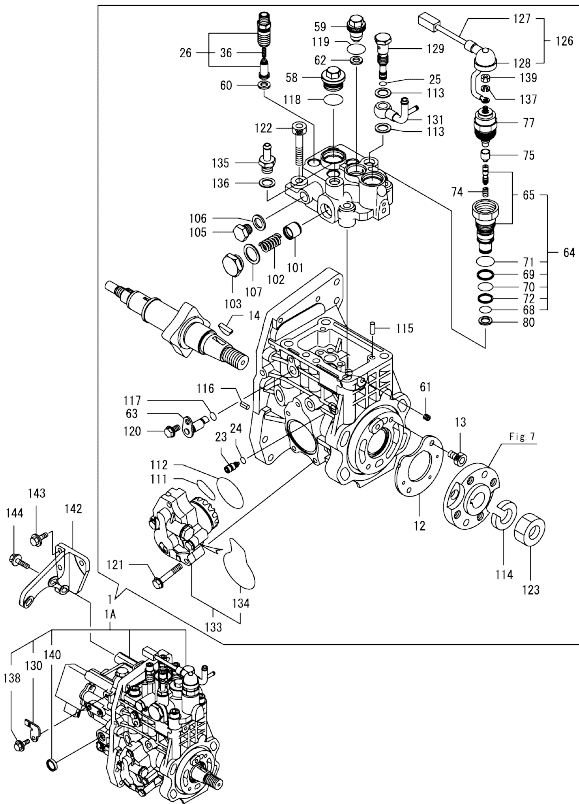
Remarks
(1)Governor(Fig.14) is incorporated in this Fuel Injection Pump(No.1).
* Eco pump
Make sure to update the engines ECU information when replacing the Eco pump.
Failing to do so will result in engine malfunction.

Fig.13. FUEL INJECTION PUMP

(A)=4TNV98T-ZNKTC
 (B)=4TNV98T-ZCNKTC
 (C)=

(D)=
 (E)=
 (F)=

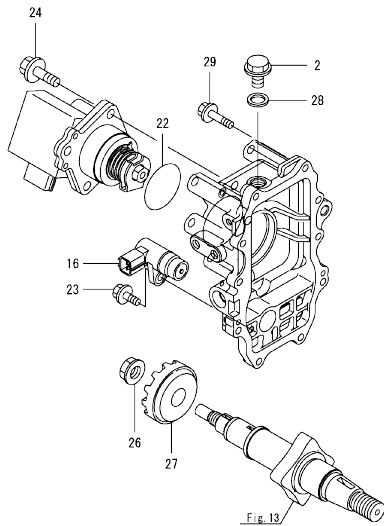
No.	Lev.	Parts No.	Description	Q'ty					
				(A)	(B)	(C)	(D)	(E)	(F)
131	2	158552-51670	JOINT, OVER FLOW	1	1				
133	2	158552-52100	PUMP ASSY, FUEL FEED	1	1				
134	3	158552-52500	O-RING	1	1				
135	2	119934-59910	JOINT, PIPE	1	1				
136	2	22190-120002	WASHER, SEAL 12	1	1				
137	2	22217-050000	WASHER, SPRING 5	1	1				
138	2	26106-060122	BOLT, M6X 12 PLATED	1	1				
139	2	26716-050002	NUT, M5	1	1				
140	2	27241-160000	PLUG, 16	1	1				
142	1	129927-51250	RETAINER, PUMP	1	1				
143	1	26106-080202	BOLT, M8X 20 PLATED	3	3				
144	1	26106-080302	BOLT, M8X 30 PLATED	3	3				



Remarks
 (1)Governor(Fig.14) is incorporated in this Fuel Injection Pump(No.1).
 * Eco pump
 Make sure to update the engines ECU information when replacing the Eco pump.
 Failing to do so will result in engine malfunction.

0CW10-M85901 ENGINE
 Fig.14. GOVERNOR

0CW10-M85901 Fig.14



(A)=4TNV98T-ZNKTC
 (B)=4TNV98T-ZCNKTC
 (C)=

(D)=
 (E)=
 (F)=

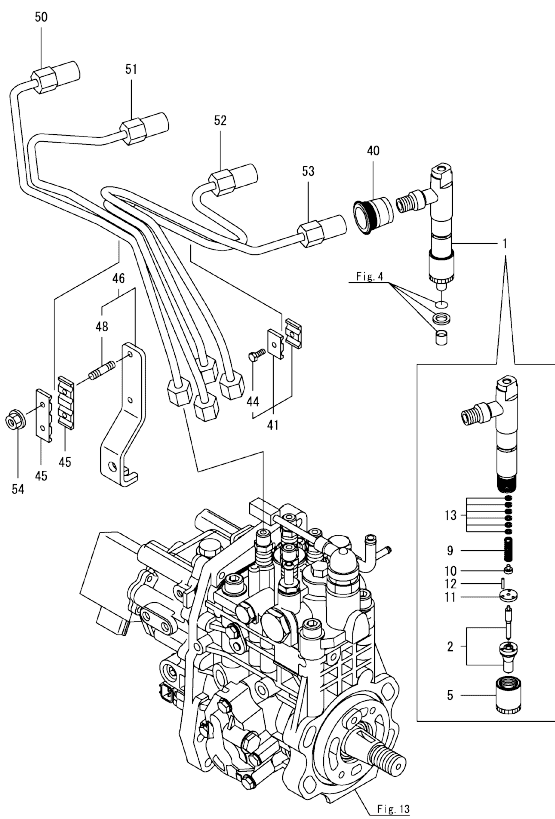
No.	Lev.	Parts No.	Description	Q'ty						I	R
				(A)	(B)	(C)	(D)	(E)	(F)		
2	2	158553-51930	PLUG, M12	1	1						
16	2	158557-61720	SENSOR	1	1						
22	2	24341-000480	O-RING, 1AS48.0	1	1						
23	2	26106-060162	BOLT, M6X 16 PLATED	1	1						
24	2	26106-080252	BOLT, M8X 25 PLATED	3	3						
26	2	129008-61301	NUT	1	1						
27	2	158553-61780	GEAR, SENSOR	1	1						
28	2	22190-120002	WASHER, SEAL 12	1	1						
29	2	26106-060252	BOLT, M6X 25 PLATED	10	10						

Remarks

* This figure(Governor) is incorporated in the Fuel Injection Pump(Fig.13).

N:Old $\frac{100}{100}$ New, Q:Old $\frac{100}{100}$ New, R:Old $\frac{100}{100}$ New, S:Old $\frac{100}{100}$ New, W:Add, Z:Discontinued, F:Interchangeable by set, K:Q'ty Change
 Copyright (C) 2017 YANMAR GLOBAL CS CO., LTD. All Rights Reserved.

Fig.15. FUEL INJECTION VALVE



(A)=4TNV98T-ZNKTC
(B)=4TNV98T-ZCNKTC
(C)=

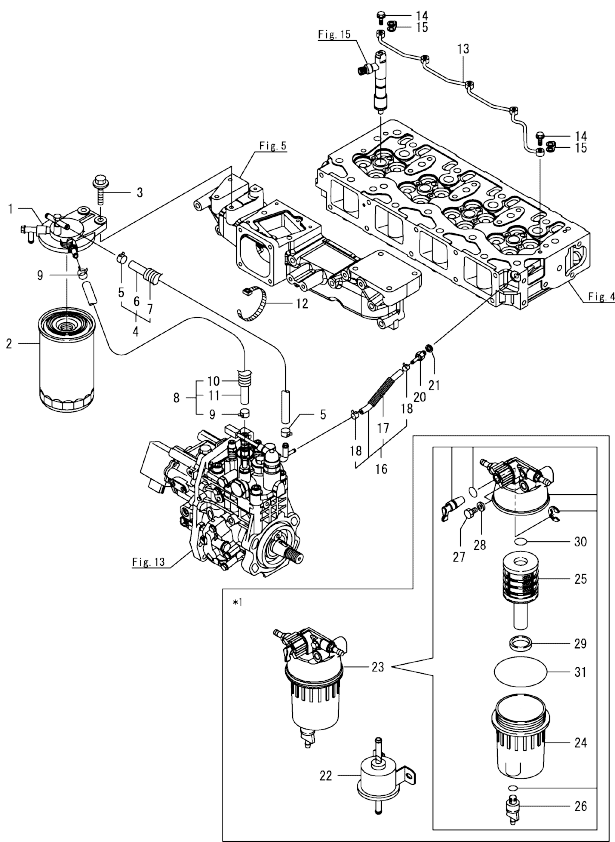
(D)=
(E)=
(F)=

No.	Lev.	Parts No.	Description	Q'ty						I	R
				(A)	(B)	(C)	(D)	(E)	(F)		
1	1	729928-53100	FUEL INJECTOR ASSY	4	4						
2	2	129928-53000	NOZZLE ASSY, F.I.	4	4						
5	2	114250-53080	NUT, NOZZLE	4	4						
9	2	114250-53120	SPRING, NOZZLE	4	4						
10	2	114250-53130	SEAT, SPRING	4	4						
11	2	114250-53140	SPACER	4	4						
12	2	114250-53210	PIN	8	8						
13	2	119803-53400	SHIM SET	4	4						1
40	1	123907-11601	SEAL, PIPE	4	4						
41	1	119305-59120	RETAINER, PIPE	1	1						
44	2	129150-59131	BOLT, M4X14	1	1						
45	1	123472-59120	RETAINER, PIPE	2	2						
46	1	129973-59700	SUPPORT ASSY	1	1						
48	2	26216-060202	STUD, M6X 20	2	2						
50	1	129973-59810	PIPE ASSY, INJECTION	1	1						
51	1	129973-59820	PIPE ASSY, INJECTION	1	1						
52	1	129973-59830	PIPE ASSY, INJECTION	1	1						
53	1	129973-59840	PIPE ASSY, INJECTION	1	1						
54	1	26366-060002	NUT, M6	2	2						

Remarks

(1)Spare parts.

Fig.16. FUEL PIPE



(A)=4TNV98T-ZNKTC
(B)=4TNV98T-ZCNKTC
(C)=

(D)=
(E)=
(F)=

No.	Lev.	Parts No.	Description	Qty						I	R
				(A)	(B)	(C)	(D)	(E)	(F)		
1	1	129004-55612	BRACKET, FILTER	1	1						
2	1	123907-55801	FILTER, FUEL	1	1						
3	1	26106-080302	BOLT, M8X 30 PLATED	2	2						
4	1	129467-59010	HOSE ASSY, FUEL	1	1						
5	2	124766-59050	CLAMP, HOSE 11.5	2	2						
6	2	129335-59090	HOSE, FUEL D13X500	1	1						
7	2	119560-59110	TUBE, CORRUGATED 15	1	1						
8	1	129950-59211	HOSE ASSY, FUEL	1	1						
9	2	124766-59050	CLAMP, HOSE 11.5	2	2						
10	2	129950-59221	TUBE, CORRUGATED 15	1	1						
11	2	105025-59530	HOSE, FUEL D13X400	1	1						
12	1	121750-59890	BAND, NYLON	1	1						
13	1	129907-59140	PIPE ASSY, RETURN	1	1						
14	1	123907-59540	BOLT, PIPE JOINT M6	5	5						
15	1	123907-59550	GASKET	5	5						
16	1	129927-59550	HOSE ASSY RETURN	1	1						
17	2	129263-49750	TUBE, CORRUGATED	1	1						
18	2	124722-59050	CLAMP, HOSE 9	2	2						
20	1	123907-59560	JOINT, HOSE	1	1						
21	1	22190-080002	WASHER, SEAL 8	1	1						
22	1	119225-52102	PUMP, FUEL FEED	1	1						
23	1	129242-55701	SEPARATOR ASSY,WATER	1	1						
24	2	129242-55720	CUP, SEPARATOR	1	1						
25	2	129242-55730	ELEMENT, FUEL	1	1						
26	2	129242-55740	PLUG, DRAIN	1	1						
27	2	129242-55750	VALVE, AIR VENT	1	1						
28	2	129242-55760	GASKET, PLUG	1	1						
29	2	129242-55770	FLOAT	1	1						
30	2	24311-000160	O-RING, 1AP16.0	1	1						
31	2	24321-000750	O-RING, 1AG75.0	1	1						

Remarks

*1. Loose parts.

Fig.17. STARTER BRACKET

(A)=4TNV98T-ZNKTC
(B)=4TNV98T-ZCNKTC
(C)=

(D)=
(E)=
(F)=

No.	Lev.	Parts No.	Description	Q'ty						
				(A)	(B)	(C)	(D)	(E)	(F)	
1	1	129100-01580	PIN, PARALLEL 8X16	1	1					
2	1	129960-77410	BRACKET, STARTER	1	1					
3	1	26206-100202	BOLT, M10X 20 PLATED	5	5					

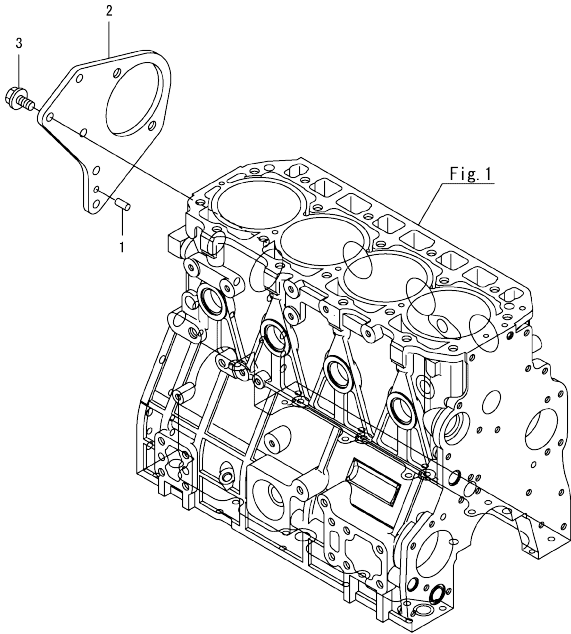
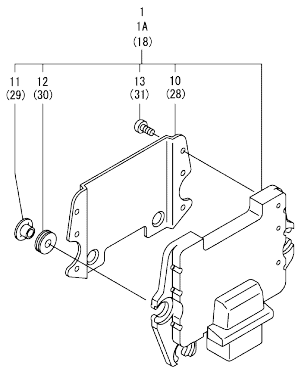


Fig.18. ELECTRONIC CONTROL UNIT(ECU)



(A)=4TNV98T-ZNKTC
(B)=4TNV98T-ZCNKTC
(C)=

(D)=
(E)=
(F)=

No.	Lev.	Parts No.	Description	Q'ty						I	R	
				(A)	(B)	(C)	(D)	(E)	(F)			
1	1	129974-75070	ECU ASSY,4-98T-ZNKTC								1	
1A	1	129975-75060	ECU ASSY,498T-ZCNKTC									1
10	2	129927-77600	SHIELD, ECU	1	1							
11	2	129927-77680	COLLAR, CONTROL			3	3					
12	2	119578-91351	RUBBER, CUSHION			3	3					
13	2	22877-500080	SCREW, 5X 8			6	6					
18	1	129927-75900	ECU ASSY, SERVICE			1						2
18-1	1	129927-75901	ECU ASSY, SERVICE			1	1					N 2
(A=2015.08.)												
28	2	129927-77600	SHIELD, ECU	1	1							
29	2	129927-77680	COLLAR, CONTROL			3	3					
30	2	119578-91351	RUBBER, CUSHION			3	3					
31	2	22877-500080	SCREW, 5X 8			6	6					

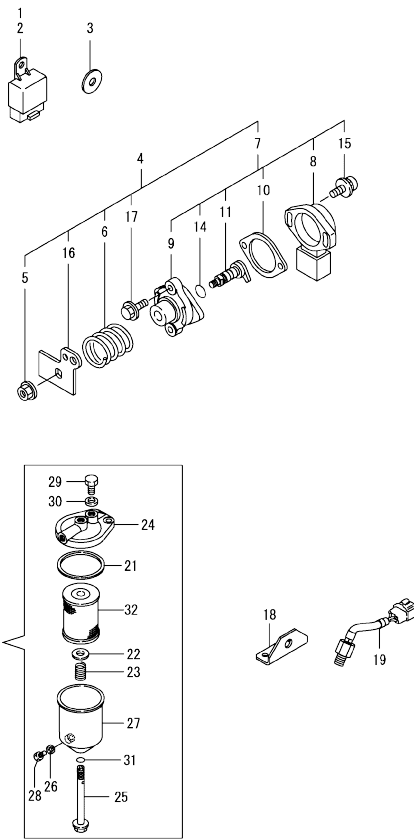
Remarks

- (1)Eco ECU
- This part cannot be ordered.
- Replace the part using a Service ECU with the proper engine information installed.
- (2)Service ECU
- If the proper information is not installed, the engine will not operate.
- To install proper information, go to an authorized distributor.

Fig.19. ACCESSORY

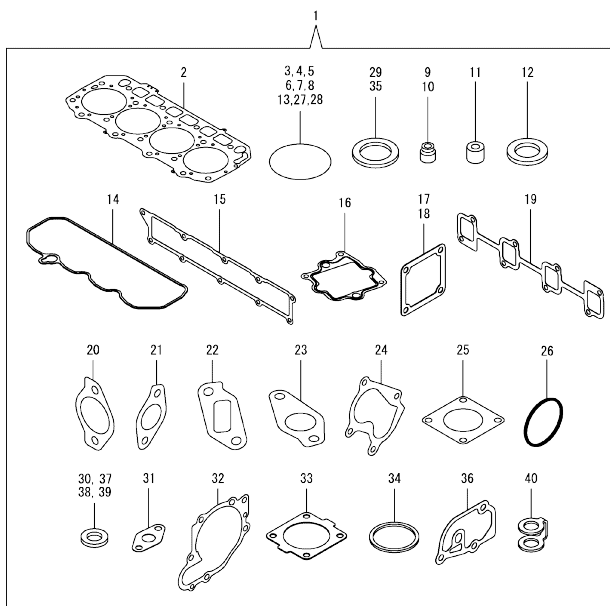
(A)=4TNV98T-ZNKTC
(B)=4TNV98T-ZCNKTC
(C)=

(D)=
(E)=
(F)=



No.	Lev.	Parts No.	Description	Q'ty						I	R
				(A)	(B)	(C)	(D)	(E)	(F)		
1	1	198461-52950	RELAY, CA TYPE C	1							
1-1	1	172B02-17150 (A=EU8161)	RELAY,CA C TYPE	1	1						R
2	1	198461-52950	RELAY, CA TYPE C	1							
2-1	1	172B02-17150 (A=EU8161)	RELAY,CA C TYPE	1	1						R
3	1	129927-77690	WASHER, ECU	3	3						
4	1	129938-77800	SENSOR ASSY, ACCEL	1	1						
5	2	194990-22130	NUT, M6	1	1						
6	2	119060-61990	SPRING, RETURN	1	1						
7	2	129054-77800	SENSOR ASSY, ACCEL	1	1						
8	3	185100-50070	BODY	1	1						
9	3	129054-77811	SUPPORT, SENSOR	1	1						
10	3	129054-77820	GASKET	1	1						
11	3	129054-77830	SHAFT ASSY	1	1						
14	3	24311-000070	O-RING, 1AP7.0	1	1						
15	3	26023-040202	SCREW, M4X20	2	2						
16	2	129938-77810	LEVER, SENSOR	1	1						
17	2	26106-060122	BOLT, M6X 12 PLATED	2	2						
18	1	129974-91120 (A=EU2969)	BRACKET	1	1						W
19	1	129974-91500 (A=EU2969)	SENSOR	1	1						W
20	1	129065-55750	SEPARATOR ASSY,WATER			1					
21	2	123325-35140	GASKET	1							
22	2	123325-35160	WASHER	1							
23	2	129065-55170	SPRING, FILTER	1							
24	2	129495-55610	BODY, STRAINER	1							
25	2	129495-55620	BOLT	1							
26	2	123672-55760	GASKET	1							
27	2	129065-55760	CASE, SEPARATOR	1							
28	2	129065-55770	PLUG, DRAIN M8	1							
29	2	129065-55800	PLUG, M14	1							
30	2	123678-55890	GASKET, PLUG	1							
31	2	24311-000120	O-RING, 1AP12.0	1							
32	2	41650-550800	ELEMENT, FUEL	1							
33	1	121855-59880	JOINT, PIPE	2							
34	1	22190-140002	WASHER, SEAL 14	4							
35	1	23857-080000	BOLT, JOINT 8	2							

Fig.20. GASKET SET



(A)=4TNV98T-ZNKTC
(B)=4TNV98T-ZCNKTC
(C)=

(D)=
(E)=
(F)=

No.	Lev.	Parts No.	Description	Qty						I	R	
				(A)	(B)	(C)	(D)	(E)	(F)			
1	1	129974-92600	GASKET SET	1	1						1	
2	2	129907-01331	GASKET, HEAD	1	1							
3	2	129900-32030	O-RING, P20	2	2							
4	2	129900-32040	O-RING, P14	1	1							
5	2	24311-000070	O-RING, 1AP7.0	1	1							
6	2	24351-030750	O-RING, 1A3075	1	1							
7	2	24311-000320	O-RING, 1AP32.0	3	3							
8	2	24321-000850	O-RING, 1AG85.0	1	1							
9	2	119803-11340	SEAL, VALVE STEM	8	8							
10	2	124160-11340	SEAL, VALVE STEM	8	8							
11	2	119802-11870	PROTECTOR, NOZZLE	4	4							
12	2	119625-11880	SEAT, NOZZLE	4	4							
13	2	24311-000120	O-RING, 1AP12.0	8	8							
14	2	129933-11310	GASKET, BONNET	1	1							
15	2	129907-12110	GASKET, MANIFOLD	1	1							
16	2	129973-12110	GASKET	1	1							
17	2	119129-77020	GASKET	1	1							
18	2	121850-77021	GASKET, AIR HEATER	1	1							
19	2	129900-13251	GASKET, EXH.MANIFOLD	1	1							
20	2	129928-13410	GASKET	2	2							
21	2	129927-13810	GASKET	3	3							
22	2	129927-13910	GASKET, EGR	1	1							
23	2	129927-13920	GASKET, EGR	1	1							
24	2	123901-18080	GASKET	1	1							
25	2	129472-18090	GASKET	1	1							
26	2	129960-21930	GASKET, WASHER	1	1							
27	2	123912-33050	O-RING	1	1							
28	2	24321-000600	O-RING, 1AG60.0	1	1							
29	2	22190-080002	WASHER, SEAL 8	11	11							
30	2	23414-100000	GASKET, 10X1.0	2	2							
31	2	129908-39690	GASKET	1	1							
32	2	129900-42020	GASKET, WATER PUMP	1	1							
33	2	121850-49540	GASKET, THERMOSTAT	1	1							
34	2	121850-49550	GASKET, THERMOSTAT	1	1							
35	2	22190-120002	WASHER, SEAL 12	1	1							
36	2	129900-49870	GASKET, THERMOSTAT	1	1							
37	2	23414-080000	GASKET, 8X1.0	1	1							
38	2	124465-44950	GASKET, 16	1	1							
39	2	129150-49360	GASKET	1	1							
40	2	123907-59550	GASKET	5	5							

Remarks

(1)Optional parts.

Parts No. Index

Parts No.	Fig. No.	Ref. No.
105010-39140	11	7
		22
105025-59530	16	11
114250-53080	15	5
114250-53120	15	9
114250-53130	15	10
114250-53140	15	11
114250-53210	15	12
119000-39650	11	39
119005-35151	10	25
119005-77051	5	17
119060-61990	19	6
119100-11330	4	62
119129-77020	5	15
	20	17
119141-44760	12	16
119225-52102	16	22
119305-59120	15	41
119540-39950	3	8
119540-39960	3	10
119560-59110	16	7
119578-91351	18	12
		30
119593-11301	4	34
119620-11180	4	19
119625-11880	4	30
	20	12
119656-39931	3	9
119761-39450	11	1
119802-11870	4	29
	20	11
119802-13620	6	18
119802-13790	6	19
119802-13791	6	19 -1
119802-51680	13	69
119802-51690	13	70
119803-11340	4	20
	20	9
119803-53400	15	13
119852-51630	13	74
119852-51640	13	75
119852-51650	13	77
119934-59910	13	135
120130-22301	9	25
121023-26071	2	37
121252-39150	11	8
121450-42450	12	35
121750-59890	16	12
121850-21130	9	12
121850-21290	9	5

Parts No.	Fig. No.	Ref. No.
121850-21920	9	6
121850-49540	12	24
	20	33
121850-49550	12	25
	20	34
121850-49811	12	26
121850-77021	5	16
	20	18
121855-59880	19	33
123325-35140	19	21
123325-35160	19	22
123472-59120	15	45
123672-55760	19	26
123678-55890	19	30
123900-13630	6	6
123900-25060	7	10
123901-03240	4	76
123901-18080	6	42
	20	24
123907-11280	4	39
123907-11550	4	5
123907-11601	15	40
123907-11820	4	26
123907-11830	4	25
123907-39500	11	14
123907-55801	16	2
123907-59540	16	14
123907-59550	16	15
	20	40
123907-59560	16	20
123910-39850	11	27
123910-49600	10	8
123910-49610	10	10
123912-03250	4	78
123912-33050	10	2
	20	27
123912-33100	10	3
123951-18220	5	11
124070-13300	11	24
	12	50
124160-01751	2	31
	4	54
124160-11340	4	21
	20	10
124160-11360	4	66
124223-39900	11	4
124250-49351	12	37
124465-44950	12	36
	20	38
124722-59050	16	18

Parts No.	Fig. No.	Ref. No.
124766-59050	16	5
		9
124976-34850	1	31
129004-55612	16	1
129005-59830	11	16
129006-44480	10	5
129008-51920	13	13
129008-61301	14	26
129054-77800	19	7
129054-77811	19	9
129054-77820	19	10
129054-77830	19	11
129065-55170	19	23
129065-55750	19	20
129065-55760	19	27
129065-55770	19	28
129065-55800	19	29
129100-01580	1	32
	2	1
	3	14
	17	1
129150-02450	7	4
129150-11230	4	42
		46
129150-11750	4	24
		43
		47
129150-14200	7	1
129150-25920	7	19
129150-35153	10	24
129150-49360	12	38
	20	39
129150-59131	15	44
129198-59540	11	7 -1
129242-55701	16	23
129242-55720	16	24
129242-55730	16	25
129242-55740	16	26
129242-55750	16	27
129242-55760	16	28
129242-55770	16	29
129263-49750	16	17
129263-77941	13	128
129335-59090	16	6
129410-03990	4	71
129418-18320	6	3
		4
129466-49300	10	7
129467-59010	16	4
129472-18090	8	2

Parts No.	Fig. No.	Ref. No.
129472-18090	20	25
129486-01670	3	18
129495-55610	19	24
129495-55620	19	25
129509-79700	4	63
129631-44740	12	15 A
129657-51590	13	64
129657-51600	13	65
129900-01200	1	28
129900-01250	1	5
129900-01850	2	46
129900-01870	2	47
129900-02020	1	7
129900-02341	1	36
129900-02410	1	10
129900-02931	1	25
129900-02941	1	39
129900-13251	6	5
	20	19
129900-14100	7	7
129900-14140	2	51
129900-21200	9	4
129900-21600	9	16
129900-23001	9	27
129900-23200	9	31
129900-23601	9	32
129900-23611	9	35
129900-23911	9	34
129900-25100	7	11
129900-26000	7	17
129900-26250	2	52
129900-32030	2	23
	10	15
	20	3
129900-32040	2	24
	20	4
129900-42020	12	11
	20	32
129900-49870	12	31
	20	36
129906-51580	13	62
129907-01331	1	29
	20	2
129907-03011	4	56
129907-03061	4	57
129907-03070	4	58
129907-11100	4	16
129907-11110	4	17
129907-11120	4	18
129907-11250	4	36

Parts No. Index

Parts No.	Fig. No.	Ref. No.	Parts No.	Fig. No.	Ref. No.	Parts No.	Fig. No.	Ref. No.	Parts No.	Fig. No.	Ref. No.
129907-11260	4	37	129927-75900	18	18	129973-12110	5	4	158553-51670	13	68
129907-11270	4	38	129927-75901	18	18 -1		20	16	158553-51680	13	80
129907-11341	4	35	129927-77600	18	10	129973-12160	5	2	158553-51930	13	105
129907-11510	4	22		28		129973-12161	5	2 -1		14	2
129907-11650	4	40	129927-77680	18	11	129973-12200	5	5	158553-61780	14	27
129907-11660	4	44		29		129973-12850	5	14	158557-51570	13	61
129907-11800	4	82	129927-77690	19	3	129973-13110	6	2	158557-61720	14	16
129907-11910	4	31	129928-11700	4	6	129973-13160	6	1	158563-51150	7	20
129907-11920	4	48	129928-11710	4	6 A	129973-13400	6	7	158563-51281	13	24
129907-11950	4	32	129928-13410	6	16	129973-13801	6	20		25	
129907-12110	5	1		17		129973-13811	6	22	158563-51330	13	36
	20	15		20	20	129973-13820	6	28	158600-51270	13	23
129907-14400	7	2	129928-13700	5	6	129973-13840	6	31	158601-51550	13	58
129907-25900	7	16	129928-22080	9	17	129973-13961	6	38	158601-51650	13	129
129907-44740	12	15	129928-51390	13	26	129973-18250	5	12	158601-51770	13	101
129907-51560	13	59	129928-51900	13	12	129973-39070	11	2	158601-51790	13	103
129907-59140	16	13	129928-53000	15	2	129973-39670	11	25	171031-11741	2	40
129908-14581	7	3	129930-35000	10	16	129973-49110	12	51	171051-01921	1	6
129908-18011	8	1	129930-39050	11	21	129973-49400	12	20	171056-49120	10	23
129908-21000	9	1	129930-42450	12	14	129973-49640	12	52	172B02-17150	19	1 -1
129908-32060	2	10	129933-01500	2	3	129973-49680	12	53		2	-1
129908-33010	10	1	129933-11310	4	61	129973-49740	12	54	185100-50070	19	8
129908-33101	10	4		20	14	129973-49780	12	57	194990-22130	19	5
129908-39410	11	33	129938-77800	19	4	129973-59700	15	46	198461-52950	19	1
129908-39690	11	28	129938-77810	19	16	129973-59810	15	50		2	
	20	31	129948-03080	4	69	129973-59820	15	51	22190-080002	11	9
129908-49060	10	6	129948-11300	4	55	129973-59830	15	52		17	
129916-01790	3	17	129949-49850	12	18	129973-59840	15	53		19	
129916-01800	2	45	129950-59211	16	8	129974-01880	3	1		23	
129916-21610	9	8	129950-59221	16	10	129974-07950	4	1 A		16	21
129916-49530	12	22	129951-01740	2	33	129974-21660	9	9 -1		20	29
129927-13810	6	21	129953-25300	7	15	129974-34810	10	13		12	28
	27		129960-03990	12	55	129974-39820	11	29	22190-120002	13	106
	20	21	129960-21590	9	13	129974-75070	18	1		14	28
129927-13900	6	35	129960-21930	9	10	129974-91120	19	18		20	35
129927-13910	6	36		20	26	129974-91500	19	19		19	34
	20	22	129960-21940	9	11	129974-92600	20	1	22190-140002	13	107
129927-13920	6	37	129960-77410	17	2	129975-75060	18	1 A	2217-050000	13	137
	20	23	129966-01650	3	15	129985-11100	4	16 A	22217-180000	13	114
129927-22050	9	19	129968-49610	12	39	129E00-13610	6	18 -1	22252-000300	9	26
129927-39060	11	12	129968-49620	12	43	129E00-13640	6	6 -1	22312-050140	13	115
129927-42000	12	1	129968-49850	12	47	144626-51090	13	14	22351-030010	11	40
129927-42001	12	1 -1	129972-03220	4	74	158552-51571	13	60	22351-050010	13	116
129927-42140	2	53	129972-03230	4	75	158552-51580	13	63	22351-060012	1	11
129927-44900	12	19	129972-03240	4	73	158552-51670	13	131	22512-070140	7	8
129927-51250	13	142	129972-21660	9	9	158552-51781	13	102		9	7
129927-51650	13	126	129973-07901	4	1	158552-52100	13	133	22857-500100	4	64
129927-51660	13	127	129973-07910	4	2	158552-52311	13	111	22877-500080	18	13
129927-51670	13	130	129973-12101	5	3	158552-52400	13	112			
129927-59550	16	16	129973-12102	5	3 -1	158552-52500	13	134			

Parts No. Index

Parts No.	Fig. No.	Ref. No.
22877-500080	18	31
23000-022000	4	79
	12	49
23000-025000	10	11
	11	30
23000-054000	5	13
23001-022000	3	11
		12
23065-160250	4	80
23080-012000	12	42
		46
23414-080000	12	32
	20	37
23414-100000	11	10
	20	30
23857-030000	11	18
23857-080000	19	35
23875-030000	12	29
23876-020000	4	13
23876-030000	1	12
		13
		14
		30
	4	14
	6	23
24311-000070	2	25
	13	117
	19	14
	20	5
24311-000120	4	33
		67
	19	31
	20	13
24311-000160	16	30
24311-000320	2	32
		41
	4	68
	20	7
24321-000600	10	12
	20	28
24321-000750	16	31
24321-000850	2	38
	20	8
24341-000480	14	22
24351-030750	2	26
	20	6
24356-190200	13	71
		118
24356-240210	13	119
24372-000150	13	72

Parts No.	Fig. No.	Ref. No.
26023-040202	19	15
26106-060102	13	120
26106-060122	4	65
	13	138
	19	17
26106-060142	5	7
26106-060162	6	39
	11	31
	14	23
26106-060182	5	8
26106-060202	12	30
26106-060252	14	29
26106-060302	12	12
26106-060352	13	121
26106-080122	3	13
	10	21
		22
		11
		11
		20
		32
	12	33
26106-080142	4	81
	7	9 A
	12	48
26106-080162	2	27
		48
	6	32
		33
	7	9
	12	58
26106-080202	2	28
		34
	4	3
		4
	13	143
26106-080222	6	24
26106-080252	14	24
26106-080302	13	144
	16	3
26106-080402	2	49
	4	50
	5	18
26106-080452	2	29
		35
26106-080552	5	9
	7	14
	12	13
		17
26106-080602	4	51
		52

Parts No.	Fig. No.	Ref. No.
26106-080602	12	34
26106-080652	6	25
26106-080702	2	50
	5	19
26106-080752	2	36
26106-080852	5	10
26106-100202	2	39
26106-100302	6	34
26106-100402	6	40
26106-101052	6	41
26116-050102	4	77
26206-100202	17	3
26216-060202	15	48
26216-100302	2	22
26226-080222	4	49
26306-080002	4	53
	6	26
	8	3
26306-100002	2	30
26366-060002	15	54
26450-100452	13	122
26716-050002	13	139
26776-180002	13	123
27241-160000	13	140
27241-300000	1	15
27241-400000	4	15
27310-070001	4	27
41650-550800	19	32
729900-02801	1	33
729907-01559	2	42
729927-22950	9	39
729928-01560	1	1
729928-22900	9	37
729928-53100	15	1
729974-51410	13	1
729975-51330	13	1 A

Parts No.	Fig. No.	Ref. No.
-----------	----------	----------