

0CW10-M73200EN

P R E F A C E

1. This parts catalog is the 1st edition of 4TNV98T-ZNIME for IHIMER.

Pub.No. : 0CW10-G73200

Published : February, 2012

2. Model name

Engine model	Vehicle	Vehicle made by
4TNV98T-ZNIME	SSL	IHIMER

Directions for the Parts Catalog.

1. This Parts Catalog shows both standard and optional parts.
2. Parts may change without prior notice.
3. The following is an example of the Parts Catalog format.

REF.	LEV.	PARTS NO.	DESCRIPTION	Q'TY						I	R
				(A)	(B)	(C)	(D)	(E)	(F)		
1	1	729595-51390	FUEL INJECTION PUMP	1	1	1	1	1			1
1-1	1	729595-51391	FUEL INJECTION PUMP	1	1	1	1	1		N	1
		(A=E00185) (B=E00200)									
3	2	26022-060162	SCREW M 6X 16	9	9	9	9	9			
3-1	2	26022-060162	SCREW M 6X 16	4	4	4	4	4		K	
		(A=E00156) (B=E00156) (C=E00156) (D=E00156) (E=E00156)									
4	2	129470-51040	CAMSHAFT	1	1	1	1	1			
5	2	122710-51050	BEARING, ROLLER	2	2	2	2	2			
6	2	129470-51060	RETAINER	1	1	1	1	1			

Remarks
(1) BOOST COMPEMSATOR TYPE. OPTIONAL PART, TO E00155,(4JH-DT, 4JH-DTZ

① Ref. No.

The Ref. No. listed may not be in accordance with the illustration Ref. No.

(Ex.) Illustration No. List Ref No.

1 1 (Before change) → 1-1 (After change)

For interchangeable symbols N, R and K, illustrations for new parts may be abbreviated.

② Lev. (Level)

Level indication

The numbers below indicate the level of relativity towards the main part.

1 ---- Main parts (Assembly parts)

2 ---- Sub component included in " 1 ".

3 ---- Sub component included in " 2 ".

Note) Parts that are not for sale are partially illustrated but not listed.

③ Interchangeability Symbol

When a part change takes place, one of the following interchangeability symbols is indicated beside the part.

Symbol	Interchangeability	Contents note
N	Old $\begin{matrix} \leftarrow \text{Yes} \\ \text{No} \rightarrow \end{matrix}$ New	New Part is interchangeable for Old Part but Old Part is not interchangeable for New Part.
Q	Old $\begin{matrix} \leftarrow \text{No} \\ \text{Yes} \rightarrow \end{matrix}$ New	New Part is not interchangeable for Old Part but Old Part is interchangeable for New Part.
R	Old $\begin{matrix} \leftarrow \text{Yes} \\ \text{Yes} \rightarrow \end{matrix}$ New	New/ Old Parts are both interchangeable.
S	Old $\begin{matrix} \leftarrow \text{No} \\ \text{No} \rightarrow \end{matrix}$ New	New/ Old Parts are both not interchangeable.
W		Part newly added.
Z		Part discontinued.
F		Not interchangeable by a single part but interchangeable together with related parts.
K		Changes only for used parts quantities.

④ Effective Machine No.

When a part changes, the effective Machine No. will be indicated in the (A)-(F) column.

Product Symbol	Product No.	Product Symbol	Product No.
C	Clutch No. Compressor No.	F	Machine No. (Agricultural Equip.)
D	Drive No.	M	Machine No.
E	Engine No.		

Note 1) A date may follow the symbol. (Ex.) 1996.01

Note 2) "XXXXX" and "ZZZZZ" are for parts that could not be predicted or for engine models that could not be identified.

Note 3) (A=E00185) is the E (Engine Serial Number) for the column (A) model (in this case 4JH-DT) after the parts design change.

⑤ Remarks

Figures or alphabets (symbols) are entered in the remarks column.

The comments (remarks) on parts that are indicated at the bottom of the illustration are the same symbols as those stated above.

Contents

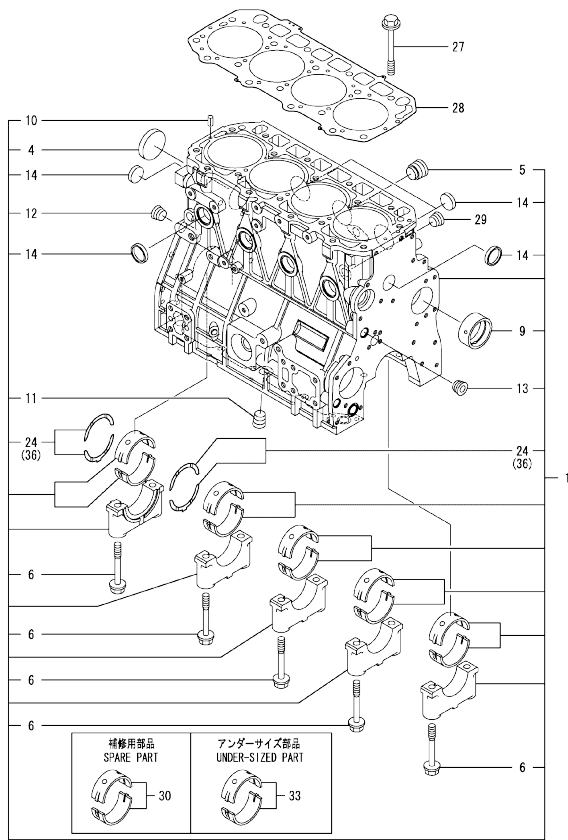
0CW10-M73200

Fig. No.	Fig. Name	Fig. No.	Fig. Name
4	TNV98T-ZNIME		
1.	CYLINDER BLOCK		
2.	GEAR HOUSING		
3.	FLYWHEEL HOUSING & OIL SUMP		
4.	CYLINDER HEAD & BONNET		
5.	SUCTION MANIFOLD		
6.	EXHAUST MANIFOLD & SILENCER		
7.	CAMSHAFT & DRIVING GEAR		
8.	TURBINE		
9.	CRANKSHAFT & PISTON		
10.	LUB.OIL SYSTEM		
11.	LUB.OIL LINE		
12.	COOLING WATER SYSTEM		
13.	FUEL INJECTION PUMP		
14.	GOVERNOR		
15.	FUEL INJECTION VALVE		
16.	FUEL LINE		
17.	STARTING MOTOR		
18.	GENERATOR		
19.	ELECTRONIC CONTROL UNIT (ECU)		
20.	GASKET SET		
21.	GENERATOR		

Fig.1. CYLINDER BLOCK

(A)=4TNV98T-ZNIME
(B)=
(C)=

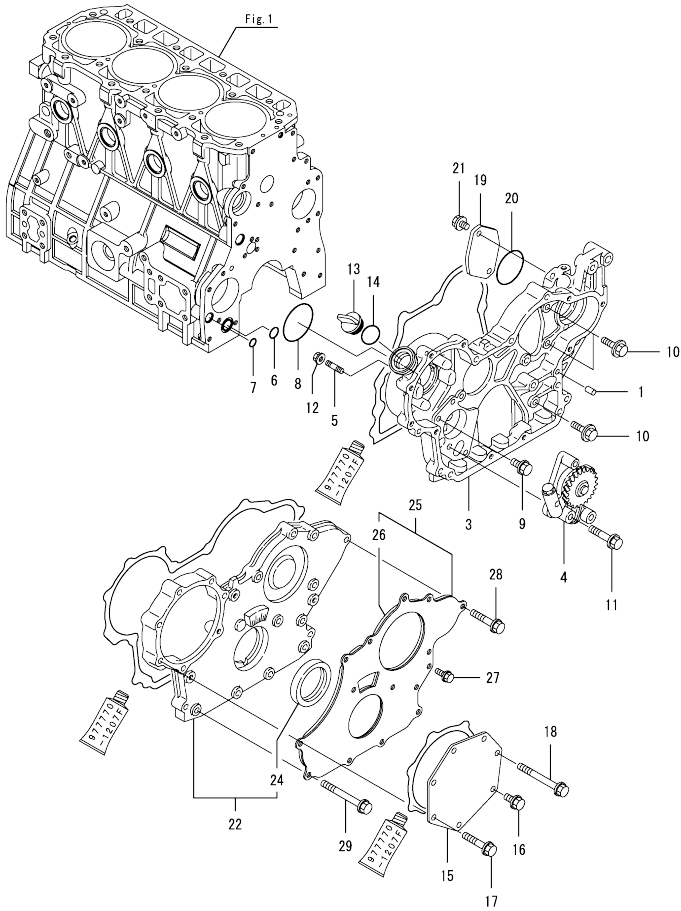
(D)=
(E)=
(F)=



No.	Lev.	Parts No.	Description	Q'ty						I	R
				(A)	(B)	(C)	(D)	(E)	(F)		
1	1	729928-01560	BLOCK ASSY, CYLINDER	1							
4	2	129900-01250	PLUG, DISH TYPE 55	1							
5	2	171051-01921	PLUG, NPTF1	1							
6	2	129900-02020	BOLT, METAL CAP	10							
9	2	129900-02410	BUSH, CAMSHAFT	1							
10	2	22351-060012	PIN, SPRING 6.0X12	2							
11	2	23876-030000	PLUG, R03	1							
12	2	23876-030000	PLUG, R03	1							
13	2	23876-030000	PLUG, R03	1							
14	2	27241-300000	PLUG 30	8							
24	2	129900-02931	BEARING ASSY, THRUST	2							
27	1	129900-01200	BOLT, CYLINDER HEAD	18							
28	1	129907-01331	GASKET, HEAD	1							
29	1	23876-030000	PLUG, R03	1							
30	1	729900-02801	BEARING, MAIN	5							1
33	1	129900-02341	BEARING ASSY, MAIN	5							2
36	1	129900-02941	BEARING, THRUST 0.25	2							3

Remarks
(1)Spare part.
(2)Under-sized(U.S.=0.25)part.
(3)Over-sized(O.S.=0.25)part.

Fig.2. GEAR HOUSING



(A)=4TNV98T-ZNIME
(B)=
(C)=

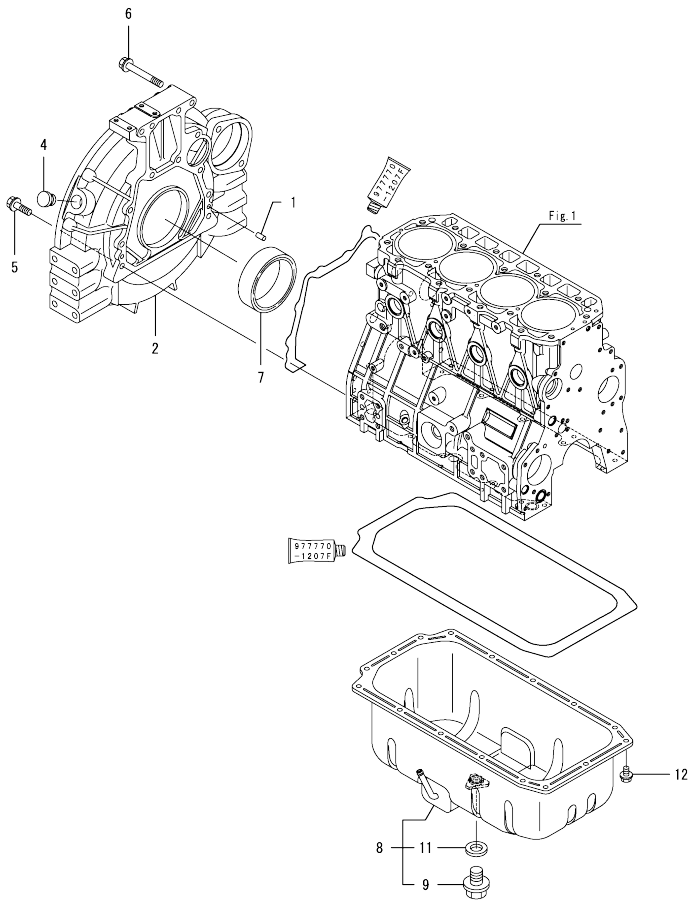
(D)=
(E)=
(F)=

No.	Lev.	Parts No.	Description	Qty						I	R	
				(A)	(B)	(C)	(D)	(E)	(F)			
1	1	129100-01580	PIN, PARALLEL 8X16	4								
3	1	129972-01500	CASE, GEAR	1								
4	1	129908-32060	PUMP ASSY, OIL	1								
5	1	26216-100302	STUD, M10X 30	4								
6	1	129900-32030	O-RING, P20	1								
7	1	129900-32040	O-RING, P14	1								
8	1	24351-030750	O-RING, 1A3075	1								
9	1	26106-080162	BOLT, M8X 16 PLATED	1								
10	1	26106-080202	BOLT, M8X 20 PLATED	3								
11	1	26106-080452	BOLT, M8X 45 PLATED	3								
12	1	26306-100002	NUT, M10	4								
13	1	124160-01751	CAP, FILLER	1								
14	1	24311-000320	O-RING, 1AP32.0	1								
15	1	129951-01740	COVER	1								
16	1	26106-080202	BOLT, M8X 20 PLATED	1								
17	1	26106-080452	BOLT, M8X 45 PLATED	5								
18	1	26106-080752	BOLT, M8X 75 PLATED	1								
19	1	129930-01870	COVER	1								
20	1	24321-000850	O-RING, 1AG85.0	1								
21	1	26106-100202	BOLT, M10X 20 PLATED	2								
22	1	729907-01559	COVER ASSY,GEAR CASE	1								
24	2	129916-01800	SEAL, OIL	1								
25	1	129900-01850	COVER ASSY,GEAR CASE	1								
26	2	129900-01870	SPONGE, GEAR CASE	1								
27	1	26106-080162	BOLT, M8X 16 PLATED	3								
28	1	26106-080402	BOLT, M8X 40 PLATED	5								
29	1	26106-080702	BOLT, M8X 70 PLATED	6								

0CW10-M73200 4TNV98T-ZNIME

Fig.3. FLYWHEEL HOUSING & OIL SUMP

0CW10-M73200 Fig.3

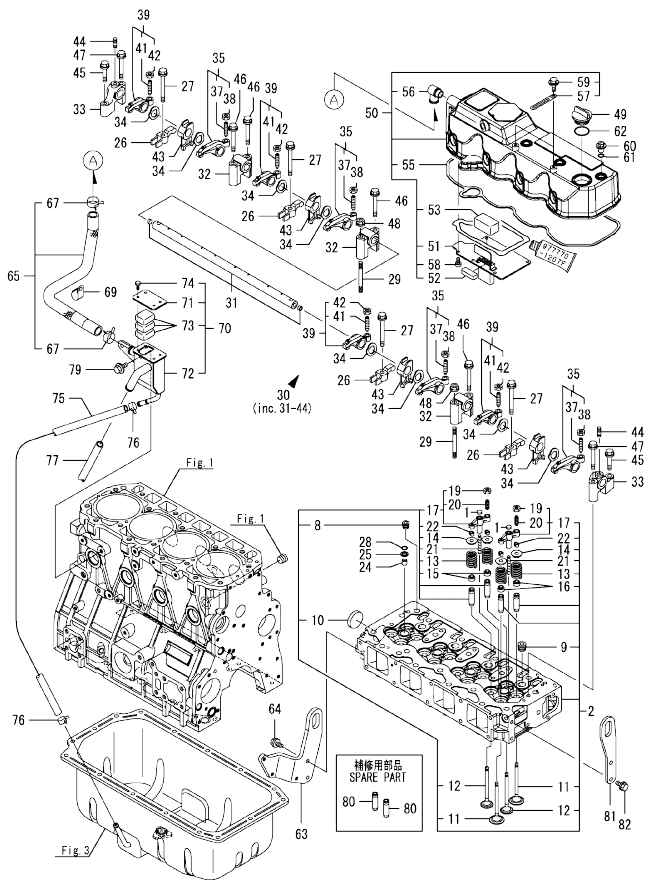


(A)=4TNV98T-ZNIME
(B)=
(C)=

(D)=
(E)=
(F)=

No.	Lev.	Parts No.	Description	Q'ty						I	R
				(A)	(B)	(C)	(D)	(E)	(F)		
1	1	129100-01580	PIN, PARALLEL 8X16	2							
2	1	129900-01620	HOUSING, FLYWHEEL	1							
4	1	119620-01750	CAP	1							
5	1	26206-100352	BOLT, M10X 35 PLATED	9							
6	1	26206-100702	BOLT, M10X 70 PLATED	4							
7	1	129916-01790	SEAL, D115/95XT11	1							
8	1	129948-01740	OIL PAN ASSY	1							
9	2	119640-01640	PLUG, DRAIN M22	1							
11	2	22190-220002	WASHER, SEAL 22	1							
12	1	26106-080122	BOLT, M8X 12 PLATED	16							

Fig.4. CYLINDER HEAD & BONNET



(A)=4TNV98T-ZNIME
(B)=
(C)=

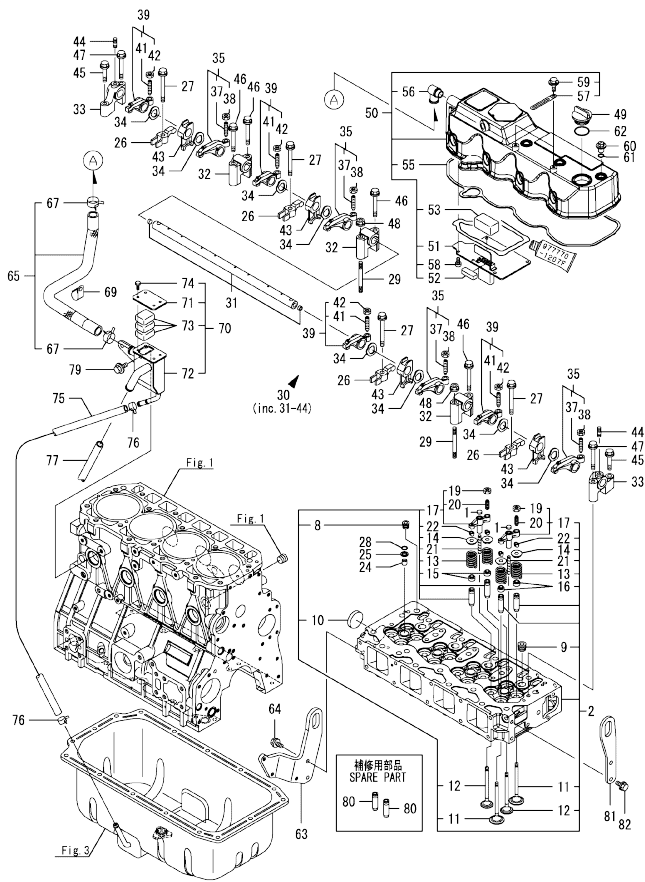
(D)=
(E)=
(F)=

No.	Lev.	Parts No.	Description	Q'ty						I	R
				(A)	(B)	(C)	(D)	(E)	(F)		
1	1	123907-11550	SEAT, VALVE BRIDGE	8							
2	1	129928-11700	HEAD ASSY, CYLINDER	1							
8	2	23876-020000	PLUG, R02	1							
9	2	23876-030000	PLUG, R03	4							
10	2	27241-400000	PLUG, 40	1							
11	2	129907-11100	VALVE, SUCTION	8							
12	2	129907-11110	VALVE, EXHAUST	8							
13	2	129907-11120	SPRING, VALVE	16							
14	2	119620-11180	RETAINER, SPRING	16							
15	2	119803-11340	SEAL, VALVE STEM	8							
16	2	124160-11340	SEAL, VALVE STEM	8							
17	2	129907-11510	BRIDGE ASSY, VALVE	8							
19	3	129150-11750	NUT, M8	8							
20	3	123907-11830	ADJUSTER	8							
21	2	123907-11820	GUIDE, BRIDGE	8							
22	2	27310-070001	COTTER, 7	16							
24	1	119802-11870	PROTECTOR, NOZZLE	4							
25	1	119625-11880	SEAT, NOZZLE	4							
26	1	129907-11910	RETAINER, NOZZLE	4							
27	1	129907-11950	BOLT, M8X75	4							
28	1	24311-000120	O-RING, 1AP12.0	4							
29	1	119593-11301	BOLT, STUD M8X80	2							
30	1	129907-11341	SHAFT ASSY, ROCKER	1							
31	2	129907-11250	SHAFT, ROCKER ARM	1							
32	2	129907-11260	SUPPORT, ROCKER ARM	3							
33	2	129907-11270	SUPPORT, ROCKER ARM	2							
34	2	123907-11280	WASHER	8							
35	2	129907-11650	ARM ASSY, ROCKER	4							
37	3	129150-11230	SCREW, VALVE ADJUST	4							
38	3	129150-11750	NUT, M8	4							
39	2	129907-11660	ARM ASSY, ROCKER	4							
41	3	129150-11230	SCREW, VALVE ADJUST	4							
42	3	129150-11750	NUT, M8	4							
43	2	129907-11920	RETAINER, NOZZLE	4							
44	2	26226-080222	STUD, M8X 22	2							
45	1	26106-080402	BOLT, M8X 40 PLATED	2							
46	1	26106-080602	BOLT, M8X 60 PLATED	4							
47	1	26106-080602	BOLT, M8X 60 PLATED	2							
48	1	26306-080002	NUT, M8	2							
49	1	124160-01751	CAP, FILLER	1							
50	1	129948-11300	BONNET ASSY, HEAD	1							
51	2	129907-03011	PLATE, BAFFLE	1							
52	2	129907-03061	BAFFLE, BREATHER	1							
53	2	129907-03070	BAFFLE, BREATHER	1							
55	2	129933-11310	GASKET, BONNET	1							
56	2	119100-11330	ELBOW, BREATHER	1							
57	2	129509-79700	CLAMP, 140-M6	2							
58	2	22857-500100	SCREW, 5X10	6							
59	2	26106-060122	BOLT, M6X 12 PLATED	2							
60	1	124160-11360	KNOB	4							
61	1	24311-000120	O-RING, 1AP12.0	4							

Remarks
(1) Spare part.

N:Old $\frac{New}{Old}$ New, Q:Old $\frac{New}{Old}$ New, R:Old $\frac{New}{Old}$ New, S:Old $\frac{New}{Old}$ New, W:Add, Z:Discontinued, F:Interchangeable by set, K:Q'ty Change
++ CONTINUE ++
Copyright (C) YANMAR GLOBAL CS CO., LTD. All Rights Reserved.

Fig.4. CYLINDER HEAD & BONNET



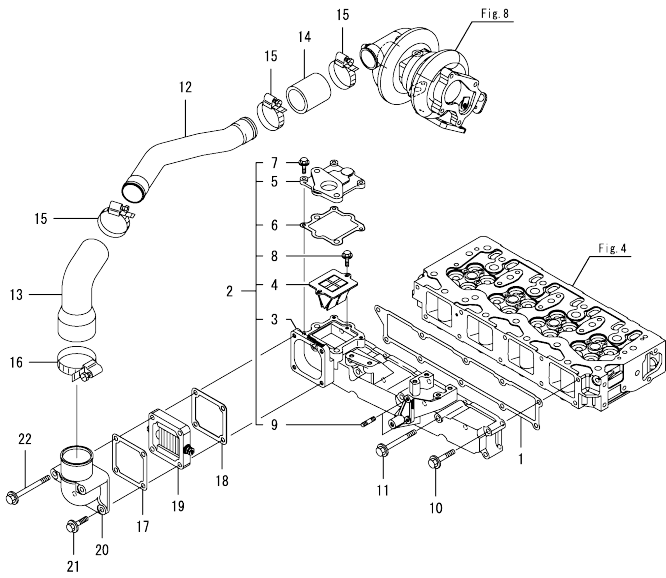
(A)=4TNV98T-ZNIME
(B)=
(C)=

(D)=
(E)=
(F)=

No.	Lev.	Parts No.	Description	Q'ty						I	R
				(A)	(B)	(C)	(D)	(E)	(F)		
62	1	24311-000320	O-RING, 1AP32.0	1							
63	1	129948-07900	LIFTER, ENGINE	1							
64	1	26106-080202	BOLT, M8X 20 PLATED	2							
65	1	129948-03080	HOSE ASSY, BREATHER	1							
67	2	129410-03990	CLAMP, HOSE 21.5	2							
69	1	129150-03100	RETAINER, PIPE	1							
70	1	129972-03240	SEPARATOR ASSY, MIST	1							
71	2	129972-03220	COVER, SEPARATOR	1							
72	2	129972-03230	SEPARATOR, MIST	1							
73	2	123901-03240	FILTER	3							
74	2	26116-050102	BOLT, M5X 10 PLATED	4							
75	1	123912-03250	HOSE	1							
76	1	23000-022000	CLAMP, 22	2							
77	1	23065-160250	PIPE, 16X 250	1							
79	1	26106-080142	BOLT, M8X 14 PLATED	2							
80	1	129907-11800	GUIDE, VALVE	16							1
81	1	129907-07900	LIFTER, ENGINE	1							W
(A=ES7783)											
82	1	26106-080162	BOLT, M8X 16 PLATED	2							W
(A=ES7783)											

Remarks
(1)Spare part.

Fig.5. SUCTION MANIFOLD

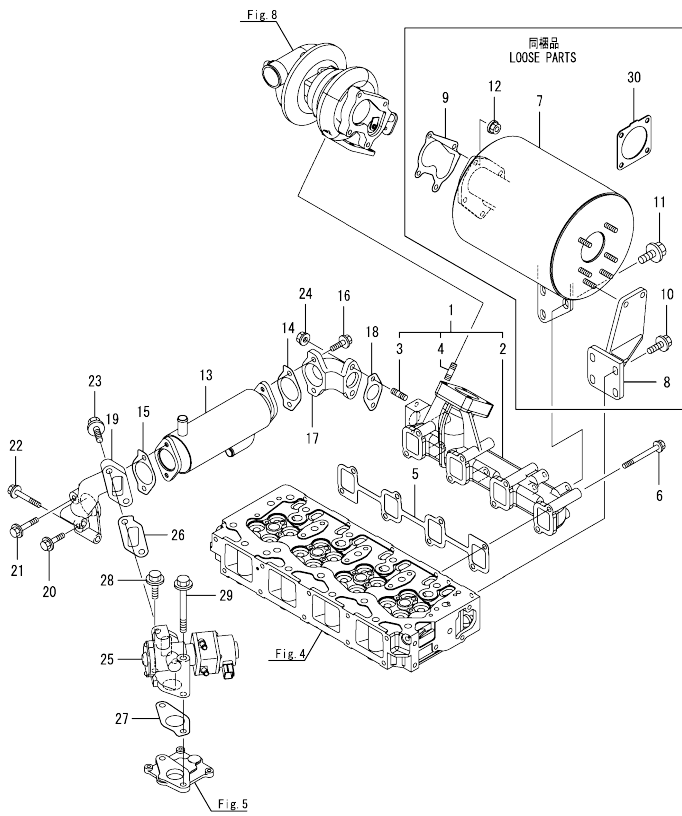


(A)=4TNV98T-ZNIME
(B)=
(C)=

(D)=
(E)=
(F)=

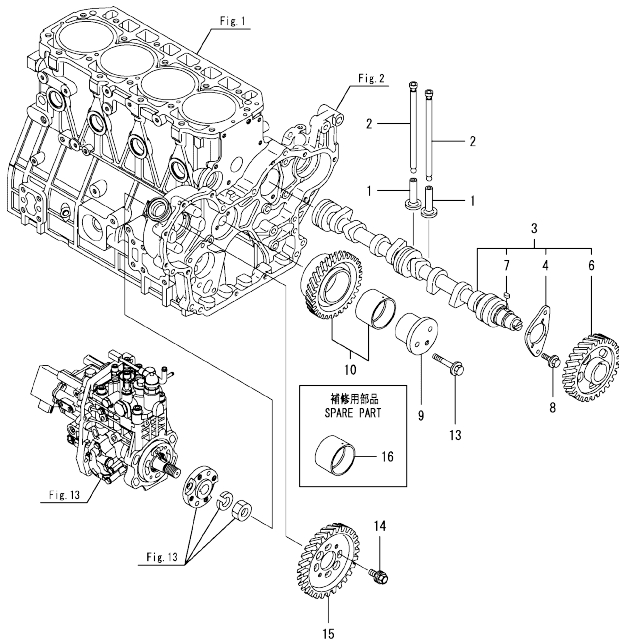
No.	Lev.	Parts No.	Description	Q'ty						I	R
				(A)	(B)	(C)	(D)	(E)	(F)		
1	1	129907-12110	GASKET, MANIFOLD	1							
2	1	129928-12150	MANIFOLD ASSY,INTAKE	1							
3	2	129928-12100	MANIFOLD, AIR INTAKE	1							
4	2	129928-13700	VALVE, LEAD	1							
5	2	129928-13710	SPACER, EGR VALVE	1							
6	2	129928-13720	GASKET	1							
7	2	26106-060202	BOLT, M6X 20 PLATED	3							
8	2	26106-060202	BOLT, M6X 20 PLATED	2							
9	2	26216-060202	STUD, M6X 20	2							
10	1	26106-080452	BOLT, M8X 45 PLATED	6							
11	1	26106-080802	BOLT, M8X 80 PLATED	4							
12	1	129928-18200	DUCT, AIR	1							
13	1	129974-18210	JOINT, RUBBER	1							
14	1	123951-18220	JOINT, RUBBER	1							
15	1	23000-054000	CLAMP, 54	3							
16	1	23000-080000	CLAMP, 80	1							
16-1	1	23000-070000	CLAMP, 70	1							N
17	1	119129-77020	GASKET	1							
18	1	121850-77021	GASKET, AIR HEATER	1							
19	1	119005-77051	HEATER, AIR	1							
20	1	119129-77520	BEND	1							
21	1	26106-080402	BOLT, M8X 40 PLATED	2							
22	1	26106-080902	BOLT, M8X 90 PLATED	2							

Fig.6. EXHAUST MANIFOLD & SILENCER



No.	Lev.	Parts No.	Description	Q'ty						I	R
				(A)	(B)	(C)	(D)	(E)	(F)		
1	1	129928-13150	MANIFOLD ASSY, EXH.	1							
2	2	129928-13100	MANIFOLD, EXHAUST	1							
3	2	129418-18320	BOLT, STUD M8X20	2							
4	2	129418-18320	BOLT, STUD M8X20	4							
5	1	129900-13251	GASKET, EXH.MANIFOLD	1							
6	1	123900-13630	BOLT, M8X80	8							
7	1	129949-13510	SILENCER	1							
8	1	129949-13520	STAY, SILENCER	1							
9	1	123901-18080	GASKET	1							
10	1	26106-080202	BOLT, M8X 20 PLATED	4							
11	1	26106-100202	BOLT, M10X 20 PLATED	3							
12	1	26306-080002	NUT, M8	4							
13	1	129928-13400	COOLER ASSY, EGR	1							
14	1	129928-13410	GASKET	1							
15	1	129928-13410	GASKET	1							
16	1	119802-13790	BOLT, M8X25 10.9T	2							
17	1	129948-13800	PIPE, EGR IN	1							
18	1	129927-13810	GASKET	1							
19	1	129948-13810	PIPE, EGR IN	1							
20	1	26106-080352	BOLT, M8X 35 PLATED	1							
21	1	26106-080452	BOLT, M8X 45 PLATED	1							
22	1	26106-080552	BOLT, M8X 55 PLATED	2							
23	1	26106-100252	BOLT, M10X 25 PLATED	2							
24	1	26306-080002	NUT, M8	2							
25	1	129928-13900	VALVE, EGR	1							
26	1	129927-13910	GASKET, EGR	1							
27	1	129927-13920	GASKET, EGR	1							
28	1	26106-100402	BOLT, M10X 40 PLATED	1							
29	1	26106-101052	BOLT, M10X105 PLATED	1							
30	1	129930-13201	GASKET, SILENCER	1							

Fig.7. CAMSHAFT & DRIVING GEAR



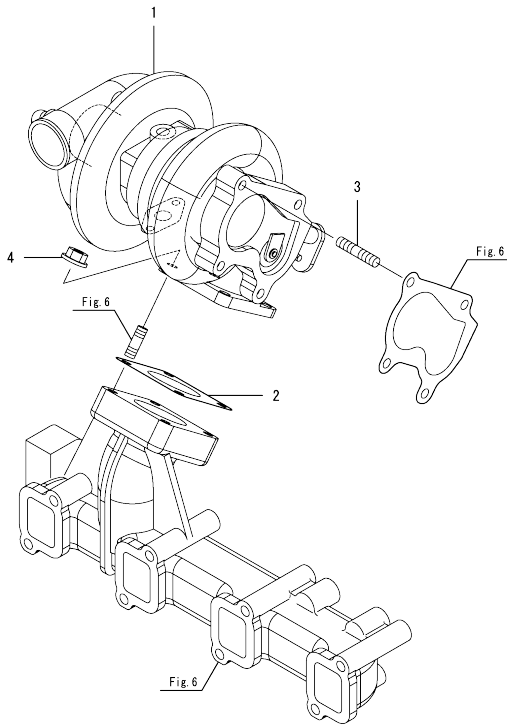
(A)=4TNV98T-ZNIME
(B)=
(C)=

(D)=
(E)=
(F)=

No.	Lev.	Parts No.	Description	Q'ty						I	R
				(A)	(B)	(C)	(D)	(E)	(F)		
1	1	129150-14200	TAPPET	8							
2	1	129907-14400	PUSH-ROD	8							
3	1	129908-14581	CAMSHAFT ASSY	1							
4	2	129150-02450	BEARING, THRUST	1							
6	2	129900-14100	GEAR, CAMSHAFT	1							
7	2	22512-070140	KEY, 7X 14	1							
8	1	26106-080162	BOLT, M8X 16 PLATED	2							
9	1	123900-25060	SHAFT, IDLE GEAR	1							
10	1	129900-25100	GEAR ASSY, IDLE	1							
13	1	26106-080552	BOLT, M8X 55 PLATED	3							
14	1	129953-25300	BOLT	4							
15	1	129907-25900	GEAR, PUMP	1							
16	1	129150-25920	BUSH, IDLE GEAR	1							1

Remarks
(1)Spare part.

Fig.8. TURBINE

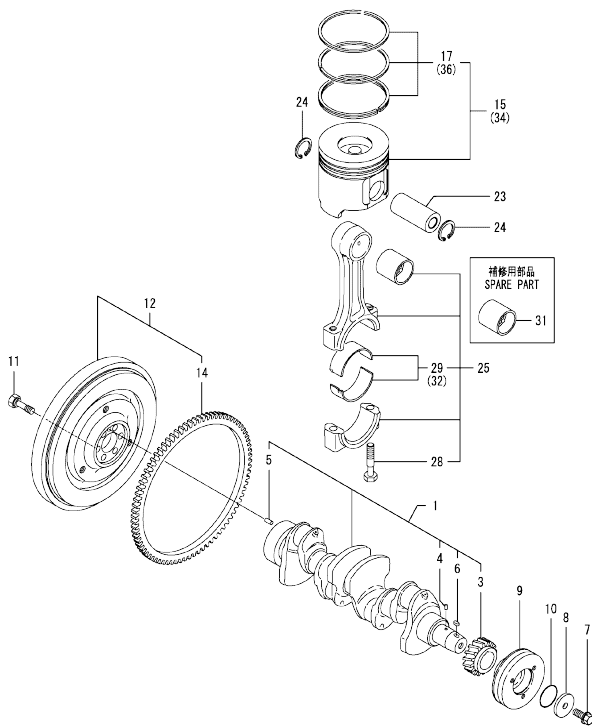


(A)=4TNV98T-ZNIME
(B)=
(C)=

(D)=
(E)=
(F)=

No.	Lev.	Parts No.	Description	Q'ty						I	R
				(A)	(B)	(C)	(D)	(E)	(F)		
1	1	129935-18010	TURBOCHARGER, RHF5	1							
2	1	129472-18090	GASKET	1							
3	1	119131-18320	BOLT, STUD M8X22	4							
4	1	26306-080002	NUT, M8	4							

Fig.9. CRANKSHAFT & PISTON



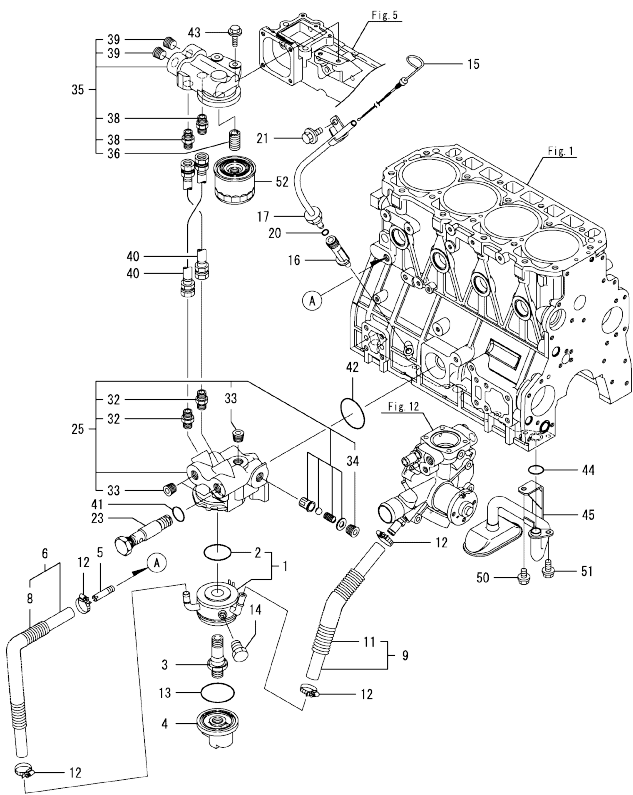
(A)=4TNV98T-ZNIME
(B)=
(C)=

(D)=
(E)=
(F)=

No.	Lev.	Parts No.	Description	Q'ty						I	R
				(A)	(B)	(C)	(D)	(E)	(F)		
1	1	129908-21000	CRANKSHAFT ASSY	1							
3	2	129900-21200	GEAR, CRANKSHAFT	1							
4	2	121850-21290	PIN	1							
5	2	121850-21920	PIN, PARALLEL 10X22	1							
6	2	22512-070140	KEY, 7X 14	1							
7	1	129916-21610	BOLT	1							
8	1	129960-21640	WASHER	1							
9	1	129907-21650	V-PULLEY, CRANK 130	1							
10	1	24341-000530	O-RING, 1AS53.0	1							
11	1	121850-21130	BOLT, FLYWHEEL	6							
12	1	129953-21570	FLYWHEEL ASSY	1							
14	2	129900-21600	GEAR, RING	1							
15	1	129928-22080	PISTON ASSY	4							
17	2	129927-22050	RING SET, PISTON	4							
23	1	120130-22301	PIN, PISTON	4							
24	1	22252-000300	RING, 30	8							
25	1	129900-23001	ROD ASSY, CONNECTING	4							
28	2	129900-23200	BOLT, CONNECTING ROD	8							
29	2	129900-23601	BEARING, CRANK PIN	4							
31	1	129900-23911	BEARING, PISTON PIN	4							1
32	1	129900-23611	BEARING ASSY, 0.25US	4							2
34	1	729928-22900	PISTON ASSY, 0.25 OS	4							3
36	2	729927-22950	RING SET, 0.25 OS	4							3

Remarks
(1)Spare part.
(2)Under-sized(U.S.=0.25)part.
(3)Over-sized(O.S.=0.25)part.

Fig.10. LUB.OIL SYSTEM



(A)=4TNV98T-ZNIME
(B)=
(C)=

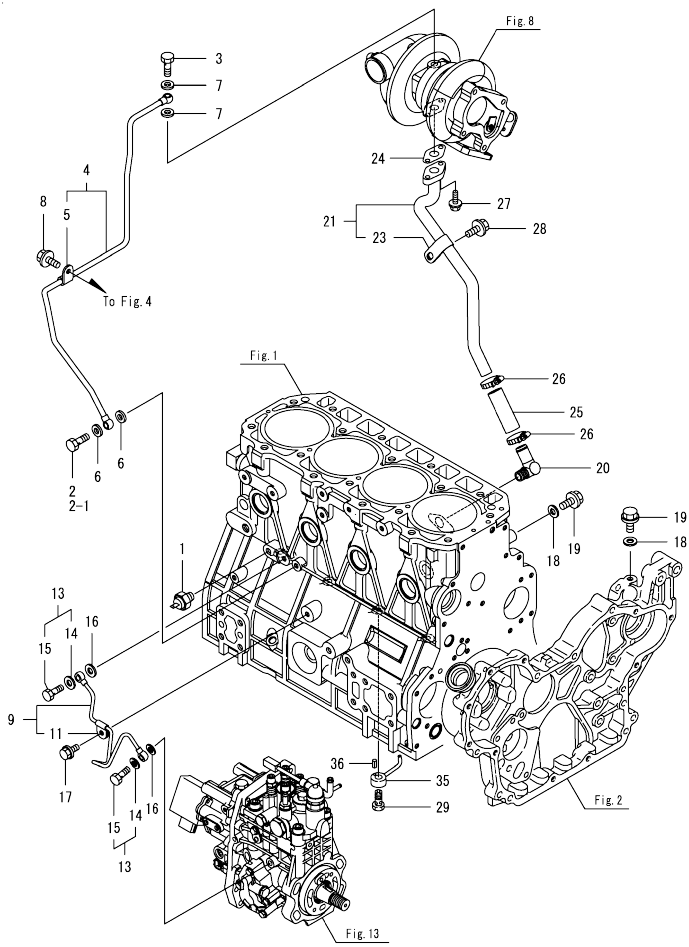
(D)=
(E)=
(F)=

No.	Lev.	Parts No.	Description	Qty						I	R
				(A)	(B)	(C)	(D)	(E)	(F)		
1	1	129949-33010	COOLER ASSY, OIL	1							
2	2	123912-33050	O-RING	1							
3	1	123910-33100	BOLT	1							
4	1	129238-35110	PLUG	1							
5	1	129122-44480	JOINT	1							
6	1	129949-49110	PIPE, WATER	1							
8	2	129956-49190	TUBE, CORRUGATED	1							
9	1	129956-49210	PIPE, WATER	1							
11	2	129956-49230	TUBE, CORRUGATED	1							
12	1	23000-025000	CLAMP, 25	4							
13	1	24321-000600	O-RING, 1AG60.0	1							
14	1	171056-49120	PLUG, DRAIN R1/4	1							
15	1	129907-34811	DIPSTICK	1							
16	1	129939-34864	GUIDE, DIPSTICK	1							
17	1	129939-34960	GUIDE, DIPSTICK	1							
20	1	24316-240100	O-RING, 4DP10A	1							
21	1	26106-080162	BOLT, M8X 16 PLATED	1							
23	1	129956-33110	BOLT	1							
25	1	129949-35110	BRACKET ASSY, FILTER	1							
32	2	129953-39500	ADAPTER, R-G1/2	2							
32-1	2	129953-39501	ADAPTER	2							N
(A=E132430)											
33	2	23876-040000	PLUG, R04	3							
34	2	23876-060000	PLUG, R06	1							
35	1	129949-35130	BRACKET ASSY, FILTER	1							
36	2	129100-35140	BOLT, STUD	1							
38	2	129953-39500	ADAPTER, R-G1/2	2							
38-1	2	129953-39501	ADAPTER	2							N
(A=E132430)											
39	2	23876-040000	PLUG, R04	2							
40	1	129949-39100	PIPE, OIL	2							
41	1	24314-000200	O-RING, 4CP20.0	1							
42	1	24321-000600	O-RING, 1AG60.0	1							
43	1	26106-080352	BOLT, M8X 35 PLATED	2							
44	1	129900-32030	O-RING, P20	1							
45	1	129953-35000	PIPE ASSY, OIL INLET	1							
50	1	26106-080122	BOLT, M8X 12 PLATED	1							
51	1	26106-080162	BOLT, M8X 16 PLATED	1							
52	1	129150-35153	FILTER ASSY, D80X80L	1							1

Remarks

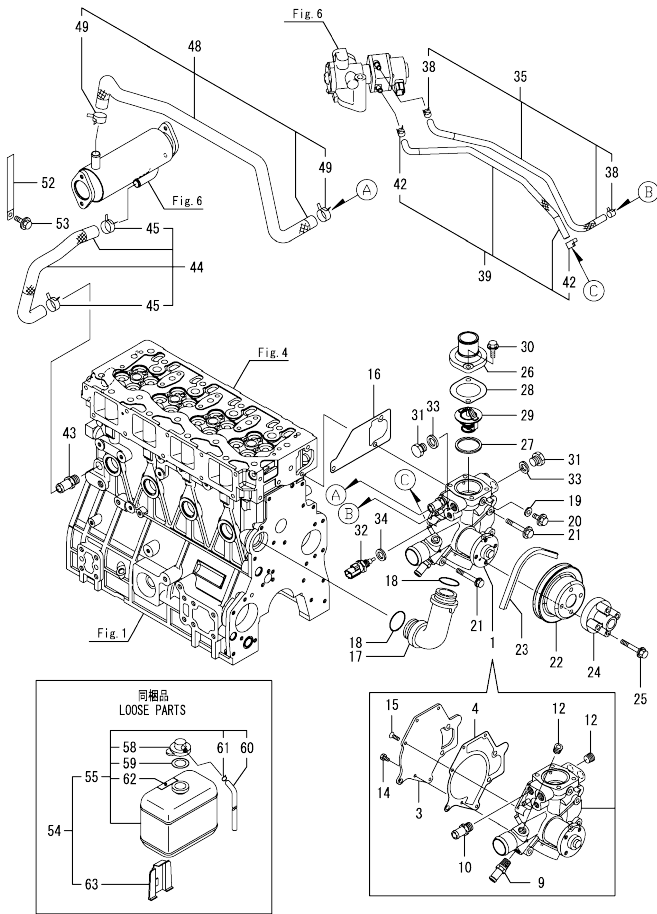
(1)Spare parts.

Fig.11. LUB.OIL LINE



No.	Lev.	Parts No.	Description	Q'ty						I	R
				(A)	(B)	(C)	(D)	(E)	(F)		
1	1	119761-39450	SWITCH, HYDRAULIC	1							
2	1	105010-39140	BOLT, PIPE JOINT	1							
2-1	1	129198-59540	BOLT, PIPE JOINT M8	1							S
(A=2020.06)											
3	1	121252-39150	BOLT, JOINT M10X1.5	1							
4	1	129928-39450	PIPE ASSY, OIL	1							
5	2	124223-39900	RETAINER	1							
6	1	22190-080002	WASHER, SEAL 8	2							
7	1	23414-100000	GASKET, 10X1.0	2							
8	1	26106-080122	BOLT, M8X 12 PLATED	1							
9	1	129927-39060	PIPE ASSY, OIL	1							
11	2	123907-39500	RETAINER, PIPE	1							
13	1	129005-59830	BOLT ASSY, JOINT M8	2							
14	2	22190-080002	WASHER, SEAL 8	2							
15	2	23857-030000	BOLT, JOINT 3	2							
16	1	22190-080002	WASHER, SEAL 8	2							
17	1	26106-080122	BOLT, M8X 12 PLATED	1							
18	1	22190-080002	WASHER, SEAL 8	2							
19	1	26106-080122	BOLT, M8X 12 PLATED	2							
20	1	124070-13300	ELBOW, PT3/8	1							
21	1	129935-39610	PIPE, OIL	1							
23	2	123910-39850	RETAINER	1							
24	1	129908-39690	GASKET	1							
25	1	123901-39820	HOSE, LO RETURN	1							
26	1	23000-025000	CLAMP, 25	2							
27	1	26106-060162	BOLT, M6X 16 PLATED	2							
28	1	26106-080122	BOLT, M8X 12 PLATED	1							
29	1	129908-39410	VALVE ASSY, CHECK	4							
35	1	119000-39650	NOZZLE, COOLING	4							
36	1	22351-030010	PIN, SPRING 3.0X10	4							

Fig.12. COOLING WATER SYSTEM



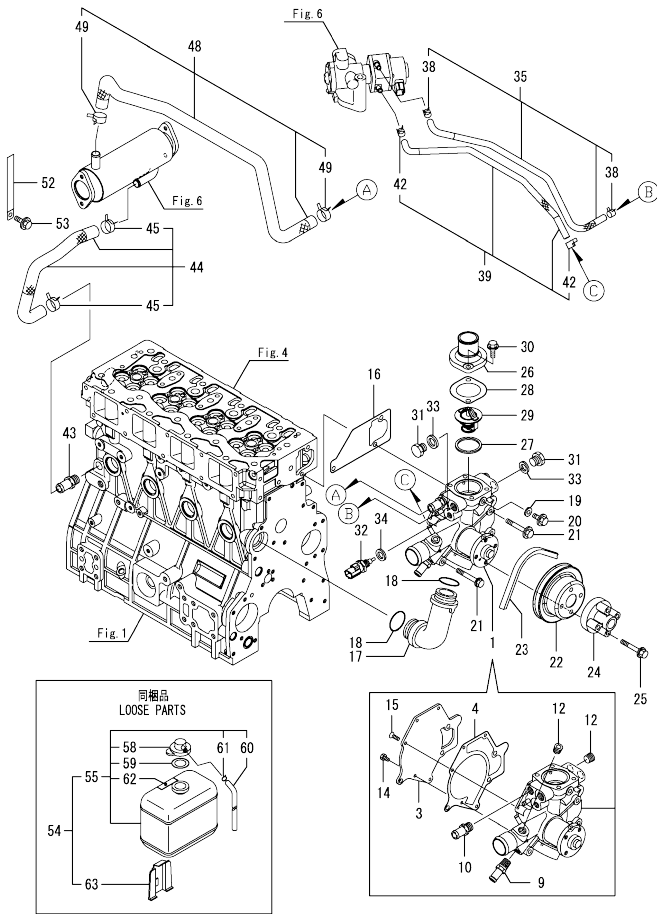
(A)=4TNV98T-ZNIME
(B)=
(C)=

(D)=
(E)=
(F)=

No.	Lev.	Parts No.	Description	(A)	(B)	(C)	(D)	(E)	(F)	I	R
1	1	129949-42011	PUMP ASSY, WATER	1							
3	2	129900-42161	COVER	1							
4	2	129900-42170	GASKET	1							
9	2	129963-49300	JOINT, D14	1							
10	2	129928-49420	JOINT	1							
12	2	129916-49740	PLUG, R3/8	2							
14	2	26116-060162	BOLT, M6X 16 PLATED	2							
15	2	26577-060162	SCREW, M6X16	3							
16	1	129900-42061	GASKET, WATER PUMP	1							
17	1	129900-42070	PIPE, WATER	1							
18	1	129900-42140	O-RING, P36	2							
19	1	23414-080000	GASKET, 8X1.0	1							
20	1	26106-080122	BOLT, M8X 12 PLATED	1							
21	1	26106-080552	BOLT, M8X 55 PLATED	3							
22	1	129900-42462	V-PULLEY, PUMP	1							
22-1	1	129930-42400	V-PULLEY, PUMP	1							N
		(A=ES7783)									
23	1	25152-004600	V-BELT, A46	1							
23-1	1	123658-42290	BELT, A48	1							N
		(A=ES7783)									
24	1	119141-44760	SPACER, FAN	1							
25	1	26106-080552	BOLT, M8X 55 PLATED	4							
25-1	1	26106-080502	BOLT, M8X 50 PLATED	4							N
		(A=ES7783)									
26	1	129981-49531	COVER, THERMOSTAT	1							
27	1	121850-49550	GASKET, THERMOSTAT	1							
28	1	129900-49560	GASKET	1							
29	1	121850-49801	THERMOSTAT, 82C	1							
30	1	26106-080252	BOLT, M8X 25 PLATED	2							
31	1	121450-42450	PLUG, M16	2							
32	1	129927-44900	SENSOR, WATER TEMP.	1							
33	1	124465-44950	GASKET, 16	2							
34	1	22190-120002	WASHER, SEAL 12	1							
35	1	129938-49650	PIPE ASSY, WATER	1							
38	2	23080-012000	CLAMP, 12	2							
39	1	129938-49660	PIPE ASSY, WATER	1							
42	2	23080-012000	CLAMP, 12	2							
43	1	129928-49420	JOINT	1							
44	1	129948-49610	HOSE ASSY, WATER	1							
45	2	129960-03990	CLAMP, HOSE 19.8	2							
48	1	129948-49620	HOSE ASSY, WATER	1							
49	2	129960-03990	CLAMP, HOSE 19.8	2							
52	1	129928-79700	CLAMP, 150-M8	1							
53	1	26106-080122	BOLT, M8X 12 PLATED	1							
54	1	120147-44800	TANK ASSY, SUB	1							W
		(A=ES7783)									
55	2	121857-44800	TANK ASSY, RESERVE	1							W
		(A=ES7783)									
58	3	121850-44850	CAP	1							W
		(A=ES7783)									
59	3	121850-44860	GASKET	1							W

N:Old $\frac{New}{Old}$ New, Q:Old $\frac{New}{Old}$ New, R:Old $\frac{New}{Old}$ New, S:Old $\frac{New}{Old}$ New, W:Add, Z:Discontinued, F:Interchangeable by set, K:Qty Change
 ++ CONTINUE ++
 Copyright (C) YANMAR GLOBAL CS CO., LTD. All Rights Reserved.

Fig.12. COOLING WATER SYSTEM

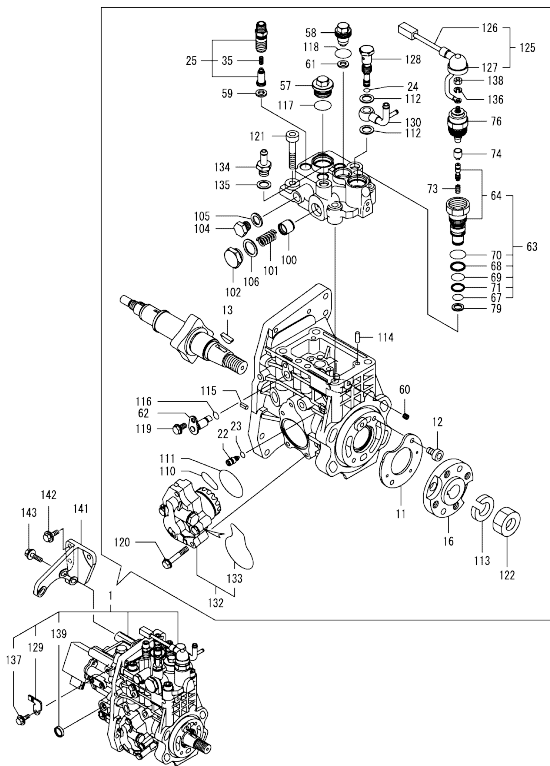


(A)=4TNV98T-ZNIME
(B)=
(C)=

(D)=
(E)=
(F)=

No.	Lev.	Parts No.	Description	Q'ty						I	R	
				(A)	(B)	(C)	(D)	(E)	(F)			
		(A=ES7783)										
60	3	121850-44870	HOSE		1							W
		(A=ES7783)										
61	3	121850-44880	CLAMP, HOSE		1							W
		(A=ES7783)										
62	3	121850-44830	LABEL, RESERVE TANK		1							W
		(A=ES7783)										
63	2	120147-44810	BRACKET		1							W
		(A=ES7783)										

Fig.13. FUEL INJECTION PUMP



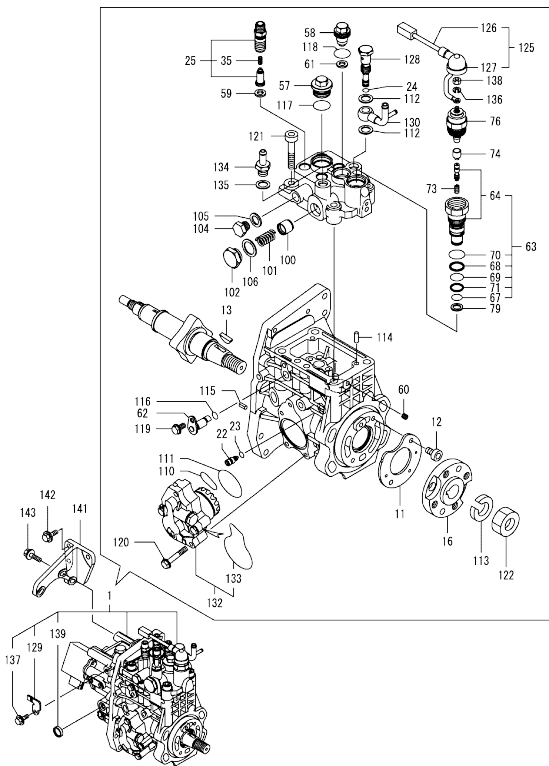
Remarks

(1)Governor(Fig.14)is incorporated in this Fuel Injection Pump (Ref.1).
 (1)Eco Pump
 Make sure to update the engines ECU information when replacing the Eco Pump.
 Failing to do so will result in engine malfunction.

No.	Lev.	Parts No.	Description	Q'ty						I	R
				(A)	(B)	(C)	(D)	(E)	(F)		
1	1	729949-51320	FIE ASSY	1							1
11	2	129928-51900	COVER	1							
12	2	129008-51920	BOLT, SOCKET M6X10	2							
13	2	144626-51090	FEATHER KEY, 5X19	1							
16	2	158563-51150	FLANGE	1							
22	2	158600-51270	STOPPER, TAPPET	1							
23	2	158563-51281	O-RING, 4D S6	1							
24	2	158563-51281	O-RING, 4D S6	1							
25	2	129928-51390	VALVE ASSY, DELIVERY	4							
35	3	158563-51330	SPRING, DELIVERY	4							
57	2	158601-51550	PLUG, M22	1							
58	2	129907-51560	PLUG, M16	1							
59	2	158552-51571	GASKET, PLUG	4							
60	2	158557-51570	PLUG, RACK	1							
61	2	129906-51580	GASKET, PLUG	1							
62	2	158552-51580	LIFTER, LINK	1							
63	2	129657-51590	TIMER ASSY	1							
64	3	129657-51600	TIMER ASSY	1							
67	3	158553-51670	O-RING	1							
68	3	119802-51680	RING, BACKUP	1							
69	3	119802-51690	O-RING	1							
70	3	24356-190200	O-RING, 4D19020	1							
71	3	24372-000150	RING, BACK UP T2P15	1							
73	2	119852-51630	SPRING, TIMER	1							
74	2	119852-51640	CAP, TIMER	1							
76	2	119852-51650	VALVE ASSY, SOLENOID	1							
79	2	158553-51680	GASKET, TIMER	1							
100	2	158601-51770	PISTON, ACCUMULATOR	1							
101	2	158552-51781	SPRING, ACCUMULATOR	1							
102	2	158601-51790	PLUG	1							
104	2	158553-51930	PLUG, M12	1							
105	2	22190-120002	WASHER, SEAL 12	1							
106	2	22190-180002	WASHER, SEAL 18	1							
110	2	158552-52311	O-RING	1							
111	2	158552-52400	O-RING, 4E S42	1							
112	2	22190-120002	WASHER, SEAL 12	2							
113	2	22217-180000	WASHER, SPRING 18	1							
114	2	22312-050140	PIN, PARALLEL 5X14	2							
115	2	22351-050010	PIN, SPRING 5.0X10	2							
116	2	24311-000070	O-RING, 1AP7.0	1							
117	2	24356-190200	O-RING, 4D19020	1							
118	2	24356-240210	O-RING, 4D24021	1							
119	2	26106-060102	BOLT, M6X 10 PLATED	1							
120	2	26106-060352	BOLT, M6X 35 PLATED	4							
121	2	26450-100452	BOLT, M10X 45	4							
122	2	26776-180002	NUT, LOCK M18	1							
125	2	129927-51650	HARNESS ASSY, WIRE	1							
126	3	129927-51660	HARNESS	1							
127	3	129263-77941	CAP, RUBBER	1							
128	2	158601-51650	JOINT, OVER FLOW	1							
129	2	129927-51670	BRACKET	1							

N:Old $\frac{New}{Old}$ New, Q:Old $\frac{New}{Old}$ New, R:Old $\frac{New}{Old}$ New, S:Old $\frac{New}{Old}$ New, W:Add, Z:Discontinued, F:Interchangeable by set, K:Q'ty Change
 ++ CONTINUE ++
 Copyright (C) YANMAR GLOBAL CS CO., LTD. All Rights Reserved.

Fig.13. FUEL INJECTION PUMP



(A)=4TNV98T-ZNIME
(B)=
(C)=

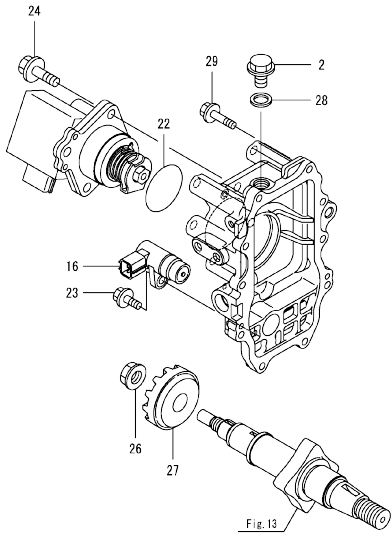
(D)=
(E)=
(F)=

No.	Lev.	Parts No.	Description	Q'ty						I	R
				(A)	(B)	(C)	(D)	(E)	(F)		
130	2	158552-51670	JOINT, OVER FLOW	1							
132	2	158552-52100	PUMP ASSY, FUEL FEED	1							
133	3	158552-52500	O-RING	1							
134	2	119934-59910	JOINT, PIPE	1							
135	2	22190-120002	WASHER, SEAL 12	1							
136	2	22217-050000	WASHER, SPRING 5	1							
137	2	26106-060122	BOLT, M6X 12 PLATED	1							
138	2	26716-050002	NUT, M5	1							
139	2	27241-160000	PLUG, 16	1							
141	1	129927-51250	RETAINER, PUMP	1							
142	1	26106-080202	BOLT, M8X 20 PLATED	3							
143	1	26106-080302	BOLT, M8X 30 PLATED	3							

Remarks

(1)Governor(Fig.14)is incorporated in this Fuel Injection Pump (Ref.1).
(1)Eco Pump
Make sure to update the engines ECU information when replacing the Eco Pump.
Failing to do so will result in engine malfunction.

Fig.14. GOVERNOR



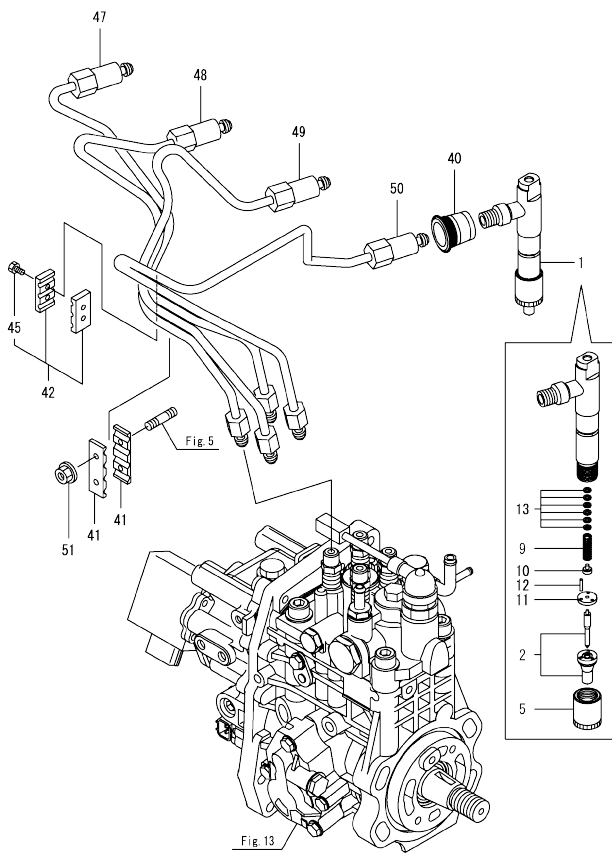
(A)=4TNV98T-ZNIME
(B)=
(C)=

(D)=
(E)=
(F)=

No.	Lev.	Parts No.	Description	Q'ty					
				(A)	(B)	(C)	(D)	(E)	(F)
2	2	158553-51930	PLUG, M12	1					
16	2	158557-61720	SENSOR	1					
22	2	24341-000480	O-RING, 1AS48.0	1					
23	2	26106-060162	BOLT, M6X 16 PLATED	1					
24	2	26106-080252	BOLT, M8X 25 PLATED	3					
26	2	129008-61301	NUT	1					
27	2	158553-61780	GEAR, SENSOR	1					
28	2	22190-120002	WASHER, SEAL 12	1					
29	2	26106-060252	BOLT, M6X 25 PLATED	10					

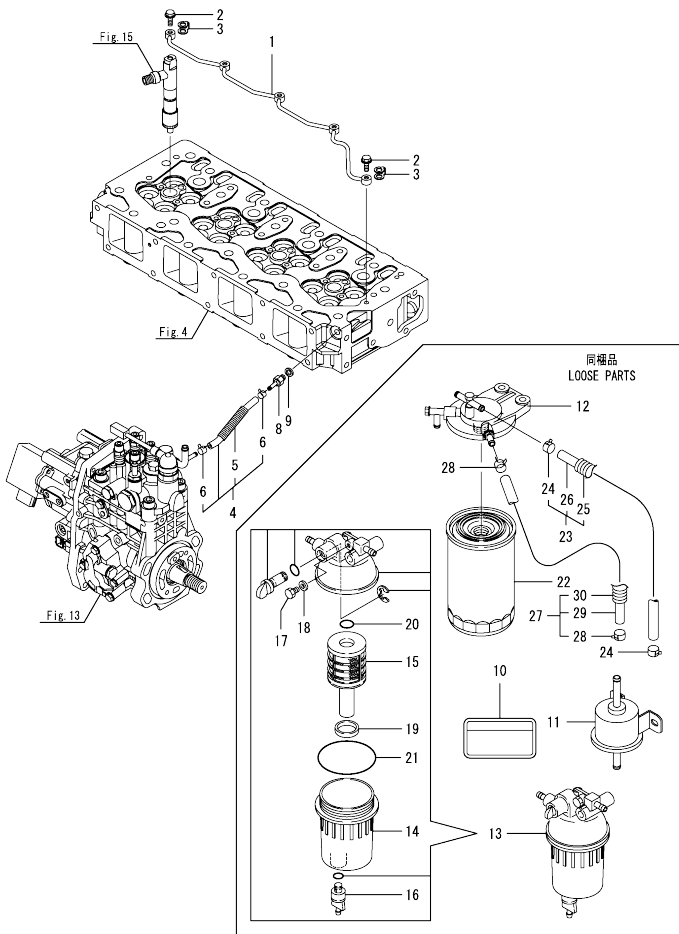
Remarks
*This figure(Governor)is incorporated
in the Fuel Injection Pump (Fig.13).

Fig.15. FUEL INJECTION VALVE



No.	Lev.	Parts No.	Description	Q'ty					
				(A)	(B)	(C)	(D)	(E)	(F)
1	1	729928-53100	FUEL INJECTOR ASSY	4					
2	2	129928-53000	NOZZLE ASSY, F.I.	4					
5	2	114250-53080	NUT, NOZZLE	4					
9	2	114250-53120	SPRING, NOZZLE	4					
10	2	114250-53130	SEAT, SPRING	4					
11	2	114250-53140	SPACER	4					
12	2	114250-53210	PIN	8					
13	2	119803-53400	SHIM SET	4					
40	1	123907-11601	SEAL, PIPE	4					
41	1	123472-59120	RETAINER, PIPE	2					
42	1	129150-59120	RETAINER, PIPE	1					
45	2	129150-59131	BOLT, M4X14	2					
47	1	129927-59810	PIPE ASSY, INJECTION	1					
48	1	129927-59820	PIPE ASSY, INJECTION	1					
49	1	129927-59830	PIPE ASSY, INJECTION	1					
50	1	129927-59840	PIPE ASSY, INJECTION	1					
51	1	26366-060002	NUT, M6	2					

Fig.16. FUEL LINE



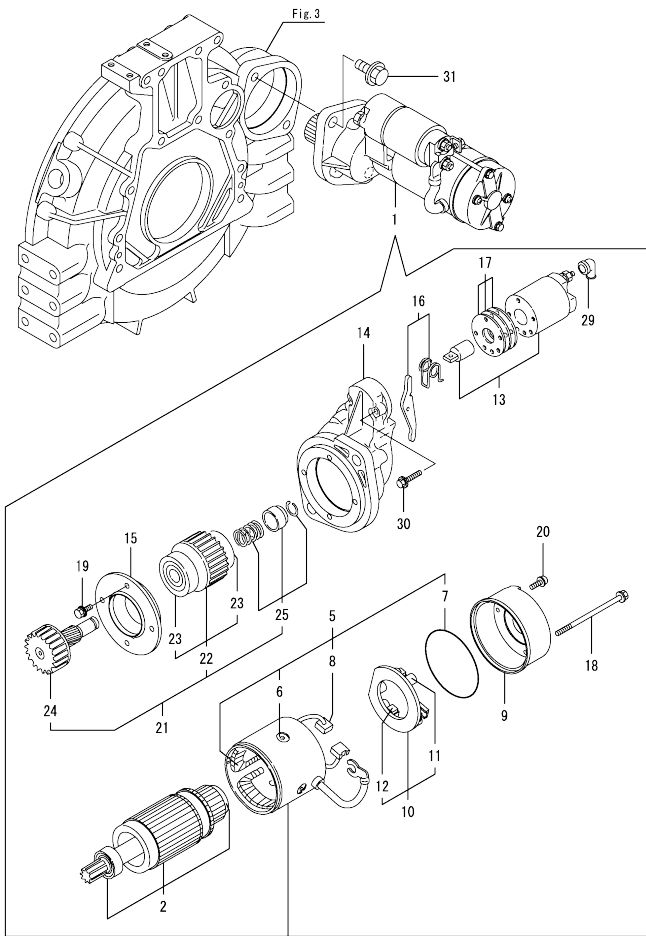
(A)=4TNV98T-ZNIME
(B)=
(C)=

(D)=
(E)=
(F)=

No.	Lev.	Parts No.	Description	Q'ty						I	R
				(A)	(B)	(C)	(D)	(E)	(F)		
1	1	129907-59140	PIPE ASSY, RETURN	1							
2	1	123907-59540	BOLT, PIPE JOINT M6	5							
3	1	123907-59550	GASKET	5							
4	1	129927-59550	HOSE ASSY, RETURN	1							
5	2	129263-49750	TUBE, CORRUGATED	1							
6	2	124722-59050	CLAMP, HOSE 9	2							
8	1	123907-59560	JOINT, HOSE	1							
9	1	22190-080002	WASHER, SEAL 8	1							
10	1	114110-07761	LABEL, FUEL OIL CAUT	1							
11	1	129612-52100	PUMP, FUEL FEED	1							
12	1	129004-55612	BRACKET, FILTER	1							
13	1	129242-55701	SEPARATOR ASSY,WATER	1							
14	2	129242-55720	CUP, SEPARATOR	1							
15	2	129242-55730	ELEMENT, FUEL	1							
16	2	129242-55740	PLUG, DRAIN	1							
17	2	129242-55750	VALVE, AIR VENT	1							
18	2	129242-55760	GASKET, PLUG	1							
19	2	129242-55770	FLOAT	1							
20	2	24311-000160	O-RING, 1AP16.0	1							
21	2	24321-000750	O-RING, 1AG75.0	1							
22	1	123907-55801	FILTER, FUEL	1							
23	1	129457-59010	HOSE ASSY, FUEL	1							
24	2	124766-59050	CLAMP, HOSE 11.5	2							
25	2	129957-59120	TUBE, CORRUGATED 15	1							
26	2	105025-59750	HOSE, FUEL	1							
27	1	129961-59310	HOSE ASSY, FUEL	1							
28	2	124766-59050	CLAMP, HOSE 11.5	2							
29	2	129136-59110	HOSE, D13/7.5X270	1							
30	2	129961-59110	TUBE, CORRUGATED 15	1							

N:Old $\frac{100}{100}$ New, Q:Old $\frac{100}{100}$ New, R:Old $\frac{100}{100}$ New, S:Old $\frac{100}{100}$ New, W:Add, Z:Discontinued, F:Interchangeable by set, K:Q'ty Change
Copyright (C) YANMAR GLOBAL CS CO., LTD. All Rights Reserved.

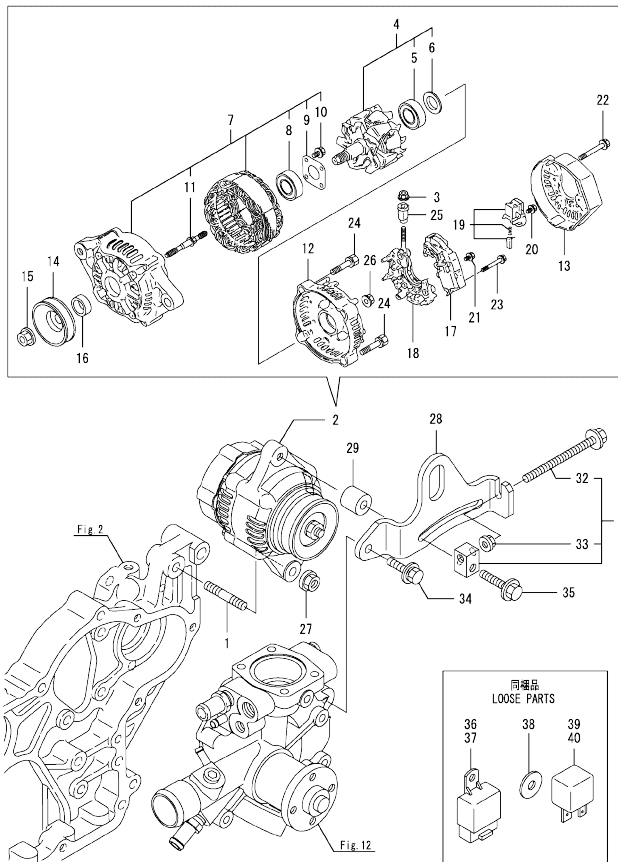
Fig.17. STARTING MOTOR



No.	Lev.	Parts No.	Description	Q'ty						I	R
				(A)	(B)	(C)	(D)	(E)	(F)		
1	1	129940-77011	STARTER ASSY	1							
2	2	129940-77100	ARMATURE ASSY	1							
5	2	129940-77130	COIL ASSY, FIELD	1							
6	3	129940-77140	SCREW, CORE SET	4							
7	3	129940-77150	O-RING	1							
8	3	129940-77160	BRUSH	2							
9	2	129940-77171	COVER	1							
10	2	129940-77181	HOLDER ASSY, BRUSH	1							
11	3	129940-77190	SPRING, BRUSH	1							
12	3	129940-77200	BRUSH	2							
13	2	129940-77210	SWITCH ASSY, MAGNET	1							
14	2	129940-77221	CASE, GEAR	1							
15	2	129940-77230	RETAINER, BEARING	1							
16	2	129940-77240	LEVER SET	1							
17	2	129940-77250	COVER KIT, DUST	1							
18	2	129940-77260	BOLT, THROUGH	2							
19	2	129940-77270	BOLT	4							
20	2	129940-77280	SCREW	2							
21	2	123900-77510	PINION ASSY	1							
22	3	123900-77520	CLUTCH ASSY	1							
23	4	X2240610100	BEARING, BALL	2							
24	3	123900-77540	SHAFT, PINION	1							
25	3	119131-77550	STOPPER SET, PINION	1							
29	2	121254-77810	COVER, TERMINAL	1							
30	2	114371-79070	BOLT	2							
31	1	26106-120252	BOLT, M12X 25 PLATED	2							

N:Old $\frac{100}{100}$ New, Q:Old $\frac{100}{100}$ New, R:Old $\frac{100}{100}$ New, S:Old $\frac{100}{100}$ New, W:Add, Z:Discontinued, F:Interchangeable by set, K:Q'ty Change
 Copyright (C) YANMAR GLOBAL CS CO., LTD. All Rights Reserved.

Fig.18. GENERATOR



(A)=4TNV98T-ZNIME
(B)=
(C)=

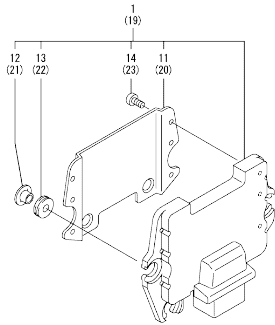
(D)=
(E)=
(F)=

No.	Lev.	Parts No.	Description	Q'ty						I	R
				(A)	(B)	(C)	(D)	(E)	(F)		
1	1	129795-01900	BOLT, STUD M10X33	1							
2	1	119626-77210	ALTERNATOR, 12V-55A	1							
3	2	X9490561001	NUT	1							
4	2	129052-77380	ROTOR ASSY	1							
5	3	123501-79240	BEARING, BALL	1							
6	3	119620-79250	COVER, BEARING	1							
7	2	129052-77422	FRAME ASSY	1							
8	3	119620-79200	BEARING, BALL	1							
9	3	119620-79210	RETAINER	1							
10	3	119620-79220	SCREW	4							
11	3	119620-79230	BOLT, STUD	2							
12	2	128401-77440	COVER	1							
13	2	119626-77450	FRAME	1							
14	2	119620-77461	PULLEY, GENERATOR	1							
15	2	119620-77471	NUT	1							
16	2	119620-77490	COLLAR	1							
17	2	119626-77710	REGULATOR ASSY	1							
18	2	129052-79260	HOLDER	1							
19	2	129052-79270	HOLDER, BRUSH	1							
20	2	119620-79290	SCREW	6							
21	2	119620-79300	SCREW	1							
22	2	119620-79310	BOLT	3							
23	2	119620-79320	SCREW	2							
24	2	119620-79330	BOLT	2							
25	2	119620-79340	BUSH, INSULATION	1							
26	2	119620-79350	NUT	2							
27	1	26306-100002	NUT, M10	1							
28	1	129953-77310	ADJUSTER	1							
29	1	124732-77340	SPACER	1							
30	1	119624-77351	BLOCK ASSY, ADJUSTER	1							
32	2	26106-081004	BOLT, M8X100 PLATED	1							
33	2	26306-080002	NUT, M8	1							
34	1	26014-080252	BOLT, M8X 25	1							
35	1	26106-080652	BOLT, M8X 65 PLATED	1							
36	1	198461-52950	RELAY, CA TYPE C	1							
37	1	198461-52950	RELAY, CA TYPE C	1							
38	1	129927-77690	WASHER, ECU	3							
39	1	129927-77920	RELAY, ISO 70A	1							
40	1	129927-77920	RELAY, ISO 70A	1							

Remarks
* This figure is applicable to [(A)=ES7782] or previous machines.

N:Old $\frac{100}{100}$ New, Q:Old $\frac{100}{100}$ New, R:Old $\frac{100}{100}$ New, S:Old $\frac{100}{100}$ New, W:Add, Z:Discontinued, F:Interchangeable by set, K:Q'ty Change
Copyright (C) YANMAR GLOBAL CS CO., LTD. All Rights Reserved.

Fig.19. ELECTRONIC CONTROL UNIT (ECU)



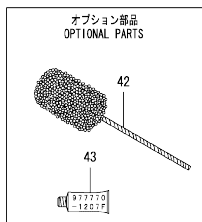
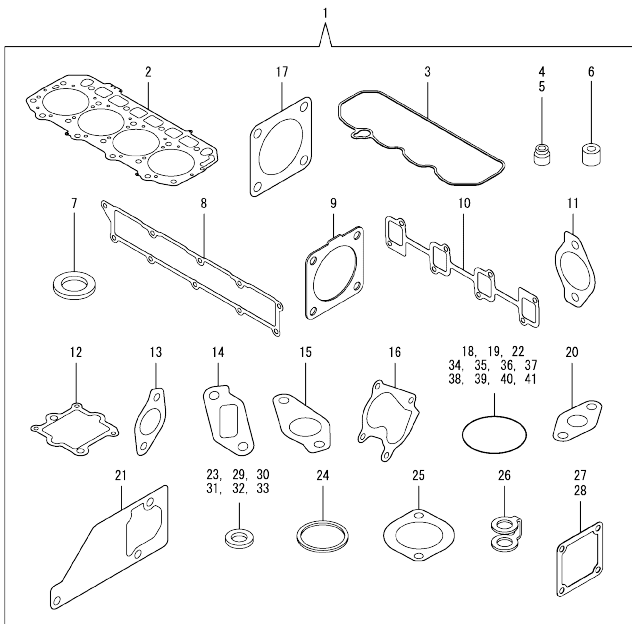
(A)=4TNV98T-ZNIME
(B)=
(C)=

(D)=
(E)=
(F)=

No.	Lev.	Parts No.	Description	Q'ty						I	R
				(A)	(B)	(C)	(D)	(E)	(F)		
1	1	129949-75150	ECU ASSY,98T-ZNIME	1							1
11	2	129927-77600	SHIELD, ECU	1							
12	2	129927-77680	COLLAR, CONTROL	3							
13	2	119578-91351	ABSORBER	3							
14	2	22877-500080	SCREW, 5X 8	6							
19	1	129927-75900	ECU ASSY, SERVICE	1							2
20	2	129927-77600	SHIELD, ECU	1							
21	2	129927-77680	COLLAR, CONTROL	3							
22	2	119578-91351	ABSORBER	3							
23	2	22877-500080	SCREW, 5X 8	6							

Remarks
(1)Eco ECU
This part cannot be ordered.
Replace the part using a Service ECU with the proper engine information installed.
(2)Service ECU
If the proper information is not installed, the engine will not operate.
To install proper information, go to an authorized Distributor.

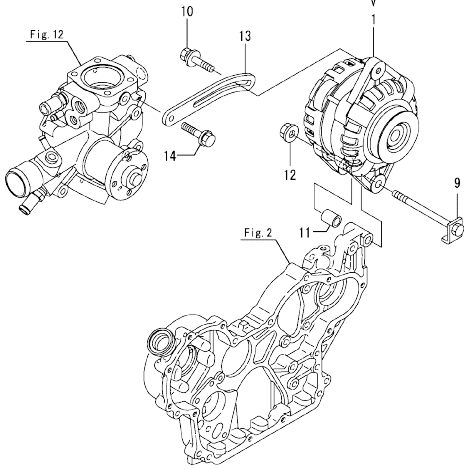
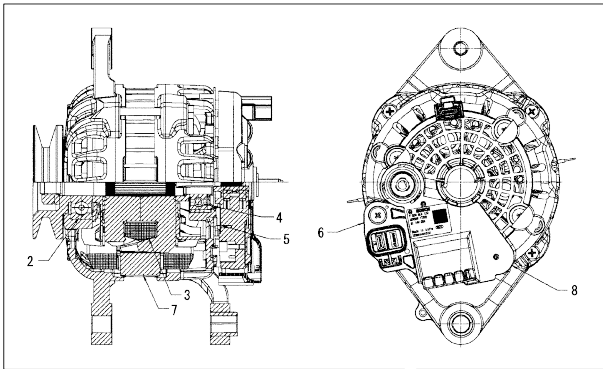
Fig.20. GASKET SET



Remarks
(1)Optional parts.

No.	Lev.	Parts No.	Description	Qty						I	R
				(A)	(B)	(C)	(D)	(E)	(F)		
1	1	129949-92620	GASKET SET	1							1
2	2	129907-01331	GASKET, HEAD	1							
3	2	129933-11310	GASKET, BONNET	1							
4	2	119803-11340	SEAL, VALVE STEM	8							
5	2	124160-11340	SEAL, VALVE STEM	8							
6	2	119802-11870	PROTECTOR, NOZZLE	4							
7	2	119625-11880	SEAT, NOZZLE	4							
8	2	129907-12110	GASKET, MANIFOLD	1							
9	2	129930-13201	GASKET, SILENCER	1							
10	2	129900-13251	GASKET, EXH.MANIFOLD	1							
11	2	129928-13410	GASKET	2							
12	2	129928-13720	GASKET	1							
13	2	129927-13810	GASKET	1							
14	2	129927-13910	GASKET, EGR	1							
15	2	129927-13920	GASKET, EGR	1							
16	2	123901-18080	GASKET	1							
17	2	129472-18090	GASKET	1							
18	2	129900-32030	O-RING, P20	2							
19	2	129900-32040	O-RING, P14	1							
20	2	129908-39690	GASKET	1							
21	2	129900-42061	GASKET, WATER PUMP	1							
22	2	129900-42140	O-RING, P36	2							
23	2	124465-44950	GASKET, 16	2							
24	2	121850-49550	GASKET, THERMOSTAT	1							
25	2	129900-49560	GASKET	1							
26	2	123907-59550	GASKET	5							
27	2	119129-77020	GASKET	1							
28	2	121850-77021	GASKET, AIR HEATER	1							
29	2	22190-080002	WASHER, SEAL 8	9							
30	2	22190-120002	WASHER, SEAL 12	1							
31	2	22190-220002	WASHER, SEAL 22	1							
32	2	23414-080000	GASKET, 8X1.0	1							
33	2	23414-100000	GASKET, 10X1.0	2							
34	2	24311-000120	O-RING, 1AP12.0	8							
35	2	24311-000320	O-RING, 1AP32.0	2							
36	2	24314-000200	O-RING, 4CP20.0	1							
37	2	24316-240100	O-RING, 4DP10A	1							
38	2	24321-000600	O-RING, 1AG60.0	2							
39	2	24321-000850	O-RING, 1AG85.0	1							
40	2	24341-000530	O-RING, 1AS53.0	1							
41	2	24351-030750	O-RING, 1A3075	1							
42	1	129400-92450	HONE, FLEX	1							1
43	1	977770-1207F	GASKET,LIQUID	1							1

Fig.21. GENERATOR



(A)=4TNV98T-ZNIME
(B)=
(C)=

(D)=
(E)=
(F)=

No.	Lev.	Parts No.	Description	Q'ty						I	R
				(A)	(B)	(C)	(D)	(E)	(F)		
1	1	129908-77200	ALTERNATOR 12V	1							
2	2	129908-77710	BEARING, BALL FR	1							
3	2	129908-77720	ROTOR	1							
4	2	129908-77730	BEARING, BALL RR	1							
5	2	129908-77740	RECTIFIER	1							
6	2	129908-77750	REGULATOR	1							
7	2	129908-77760	STATOR	1							
8	2	129908-77770	PROTECTOR	1							
9	1	129908-77220	BOLT, STOPPER M10	1							
10	1	119810-77340	BOLT, ADJUST L=30	1							
11	1	129908-77360	PIECE, DISTANCE	1							
12	1	26306-100002	NUT, M10	1							
13	1	129916-77300	ADJUSTER, BELT	1							
14	1	119810-77340	BOLT, ADJUST L=30	1							

Remarks
* This figure is applicable to [(A)=ES7783] or following machines.

Parts No. Index

Parts No.	Fig. No.	Ref. No.	Parts No.	Fig. No.	Ref. No.	Parts No.	Fig. No.	Ref. No.	Parts No.	Fig. No.	Ref. No.	
105010-39140	11	2	119802-51690	13	69	123907-59550	16	3	129242-55720	16	14	
105025-59750	16	26	119803-11340	4	15		20	26	129242-55730	16	15	
114110-07761	16	10		20	4	123907-59560	16	8	129242-55740	16	16	
114250-53080	15	5	119803-53400	15	13	123910-33100	10	3	129242-55750	16	17	
114250-53120	15	9	119810-77340	21	10	123910-39850	11	23	129242-55760	16	18	
114250-53130	15	10			14	123912-03250	4	75	129242-55770	16	19	
114250-53140	15	11	119852-51630	13	73	123912-33050	10	2	129263-49750	16	5	
114250-53210	15	12	119852-51640	13	74	123951-18220	5	14	129263-77941	13	127	
114371-79070	17	30	119852-51650	13	76	124070-13300	11	20	129400-92450	20	42	
119000-39650	11	35	119934-59910	13	134	124160-01751	2	13	129410-03990	4	67	
119005-77051	5	19	120130-22301	9	23		4	49	129418-18320	6	3	
119100-11330	4	56	120147-44800	12	54	124160-11340	4	16			4	
119129-77020	5	17	120147-44810	12	63		20	5	129457-59010	16	23	
	20	27	121252-39150	11	3	124160-11360	4	60	129472-18090	8	2	
119129-77520	5	20	121254-77810	17	29	124223-39900	11	5		20	17	
119131-18320	8	3	121450-42450	12	31	124465-44950	12	33	129509-79700	4	57	
119131-77550	17	25	121850-21130	9	11		20	23	129612-52100	16	11	
119141-44760	12	24	121850-21290	9	4	124722-59050	16	6	129657-51590	13	63	
119578-91351	19	13	121850-21920	9	5	124732-77340	18	29	129657-51600	13	64	
		22	121850-44830	12	62	124766-59050	16	24	129795-01900	18	1	
119593-11301	4	29	121850-44850	12	58			28	129900-01200	1	27	
119620-01750	3	4	121850-44860	12	59	128401-77440	18	12	129900-01250	1	4	
119620-11180	4	14	121850-44870	12	60	129004-55612	16	12	129900-01620	3	2	
119620-77461	18	14	121850-44880	12	61	129005-59830	11	13	129900-01850	2	25	
119620-77471	18	15	121850-49550	12	27	129008-51920	13	12	129900-01870	2	26	
119620-77490	18	16		20	24	129008-61301	14	26	129900-02020	1	6	
119620-79200	18	8	121850-49801	12	29	129052-77380	18	4	129900-02341	1	33	
119620-79210	18	9	121850-77021	5	18	129052-77422	18	7	129900-02410	1	9	
119620-79220	18	10		20	28	129052-79260	18	18	129900-02931	1	24	
119620-79230	18	11	121857-44800	12	55	129052-79270	18	19	129900-02941	1	36	
119620-79250	18	6	123472-59120	15	41	129100-01580	2	1	129900-13251	6	5	
119620-79290	18	20	123501-79240	18	5		3	1		20	10	
119620-79300	18	21	123658-42290	12	23	-1	129100-35140	10	36	129900-14100	7	6
119620-79310	18	22	123900-13630	6	6	129122-44480	10	5	129900-21200	9	3	
119620-79320	18	23	123900-25060	7	9	129136-59110	16	29	129900-21600	9	14	
119620-79330	18	24	123900-77510	17	21	129150-02450	7	4	129900-23001	9	25	
119620-79340	18	25	123900-77520	17	22	129150-03100	4	69	129900-23200	9	28	
119620-79350	18	26	123900-77540	17	24	129150-11230	4	37	129900-23601	9	29	
119624-77351	18	30	123901-03240	4	73			41	129900-23611	9	32	
119625-11880	4	25	123901-18080	6	9	129150-11750	4	19	129900-23911	9	31	
	20	7		20	16			38	129900-25100	7	10	
119626-77210	18	2	123901-39820	11	25			42	129900-32030	2	6	
119626-77450	18	13	123907-11280	4	34	129150-14200	7	1		10	44	
119626-77710	18	17	123907-11550	4	1	129150-25920	7	16		20	18	
119640-01640	3	9	123907-11601	15	40	129150-35153	10	52	129900-32040	2	7	
119761-39450	11	1	123907-11820	4	21	129150-59120	15	42		20	19	
119802-11870	4	24	123907-11830	4	20	129150-59131	15	45	129900-42061	12	16	
	20	6	123907-39500	11	11	129198-59540	11	2	-1	20	21	
119802-13790	6	16	123907-55801	16	22	129238-35110	10	4	129900-42070	12	17	
119802-51680	13	68	123907-59540	16	2	129242-55701	16	13	129900-42140	12	18	

Parts No. Index

Parts No.	Fig. No.	Ref. No.	Parts No.	Fig. No.	Ref. No.	Parts No.	Fig. No.	Ref. No.	Parts No.	Fig. No.	Ref. No.	
129900-42140	20	22	129908-77770	21	8	129928-49420	12	43	129949-49110	10	6	
129900-42161	12	3	129916-01790	3	7	129928-51390	13	25	129949-75150	19	1	
129900-42170	12	4	129916-01800	2	24	129928-51900	13	11	129949-92620	20	1	
129900-42462	12	22	129916-21610	9	7	129928-53000	15	2	129951-01740	2	15	
129900-49560	12	28	129916-49740	12	12	129928-79700	12	52	129953-21570	9	12	
	20	25	129916-77300	21	13	129930-01870	2	19	129953-25300	7	14	
129906-51580	13	61	129927-13810	6	18	129930-13201	6	30	129953-35000	10	45	
129907-01331	1	28		20	13		20	9	129953-39500	10	32	
	20	2	129927-13910	6	26	129930-42400	12	22 -1			38	
129907-03011	4	51		20	14	129933-11310	4	55	129953-39501	10	32 -1	
129907-03061	4	52	129927-13920	6	27		20	3			38 -1	
129907-03070	4	53		20	15	129935-18010	8	1	129953-77310	18	28	
129907-07900	4	81	129927-22050	9	17	129935-39610	11	21	129956-33110	10	23	
129907-11100	4	11	129927-39060	11	9	129938-49650	12	35	129956-49190	10	8	
129907-11110	4	12	129927-44900	12	32	129938-49660	12	39	129956-49210	10	9	
129907-11120	4	13	129927-51250	13	141	129939-34864	10	16	129956-49230	10	11	
129907-11250	4	31	129927-51650	13	125	129939-34960	10	17	129957-59120	16	25	
129907-11260	4	32	129927-51660	13	126	129940-77011	17	1	129960-03990	12	45	
129907-11270	4	33	129927-51670	13	129	129940-77100	17	2			49	
129907-11341	4	30	129927-59550	16	4	129940-77130	17	5	129960-21640	9	8	
129907-11510	4	17	129927-59810	15	47	129940-77140	17	6	129961-59110	16	30	
129907-11650	4	35	129927-59820	15	48	129940-77150	17	7	129961-59310	16	27	
129907-11660	4	39	129927-59830	15	49	129940-77160	17	8	129963-49300	12	9	
129907-11800	4	80	129927-59840	15	50	129940-77171	17	9	129972-01500	2	3	
129907-11910	4	26	129927-75900	19	19	129940-77181	17	10	129972-03220	4	71	
129907-11920	4	43	129927-77600	19	11	129940-77190	17	11	129972-03230	4	72	
129907-11950	4	27		20	20	129940-77200	17	12	129972-03240	4	70	
129907-12110	5	1	129927-77680	19	12	129940-77210	17	13	129974-18210	5	13	
	20	8		21	21	129940-77221	17	14	129981-49531	12	26	
129907-14400	7	2	129927-77690	18	38	129940-77230	17	15	144626-51090	13	13	
129907-21650	9	9	129927-77920	18	39	129940-77240	17	16	158552-51571	13	59	
129907-25900	7	15		40	40	129940-77250	17	17	158552-51580	13	62	
129907-34811	10	15	129928-11700	4	2	129940-77260	17	18	158552-51670	13	130	
129907-51560	13	58	129928-12100	5	3	129940-77270	17	19	158552-51781	13	101	
129907-59140	16	1	129928-12150	5	2	129940-77280	17	20	158552-52100	13	132	
129908-14581	7	3	129928-13100	6	2	129948-01740	3	8	158552-52311	13	110	
129908-21000	9	1	129928-13150	6	1	129948-03080	4	65	158552-52400	13	111	
129908-32060	2	4	129928-13400	6	13	129948-07900	4	63	158552-52500	13	133	
129908-39410	11	29	129928-13410	6	14	129948-11300	4	50	158553-51670	13	67	
129908-39690	11	24		15	15	129948-13800	6	17	158553-51680	13	79	
	20	20		20	11	129948-13810	6	19	158553-51930	13	104	
129908-77200	21	1	129928-13700	5	4	129948-49610	12	44			14	2
129908-77220	21	9	129928-13710	5	5	129948-49620	12	48	158553-61780	14	27	
129908-77360	21	11	129928-13720	5	6	129949-13510	6	7	158557-51570	13	60	
129908-77710	21	2		20	12	129949-13520	6	8	158557-61720	14	16	
129908-77720	21	3	129928-13900	6	25	129949-33010	10	1	158563-51150	13	16	
129908-77730	21	4	129928-18200	5	12	129949-35110	10	25	158563-51281	13	23	
129908-77740	21	5	129928-22080	9	15	129949-35130	10	35			24	24
129908-77750	21	6	129928-39450	11	4	129949-39100	10	40	158563-51330	13	35	
129908-77760	21	7	129928-49420	12	10	129949-42011	12	1	158600-51270	13	22	

Parts No. Index

Parts No.	Fig. No.	Ref. No.
158601-51550	13	57
158601-51650	13	128
158601-51770	13	100
158601-51790	13	102
171051-01921	1	5
171056-49120	10	14
198461-52950	18	36
		37
22190-080002	11	6
		14
		16
		18
	16	9
	20	29
22190-120002	12	34
	13	105
		112
		135
	14	28
	20	30
22190-180002	13	106
22190-220002	3	11
	20	31
22217-050000	13	136
22217-180000	13	113
22252-000300	9	24
22312-050140	13	114
22351-030010	11	36
22351-050010	13	115
22351-060012	1	10
22512-070140	7	7
	9	6
22857-500100	4	58
22877-500080	19	14
		23
23000-022000	4	76
23000-025000	10	12
	11	26
23000-054000	5	15
23000-070000	5	16
23000-080000	5	16
23065-160250	4	77
23080-012000	12	38
		42
23414-080000	12	19
	20	32
23414-100000	11	7
	20	33
23857-030000	11	15
23876-020000	4	8

Parts No.	Fig. No.	Ref. No.
23876-030000	1	11
		12
		13
		29
	4	9
23876-040000	10	33
		39
23876-060000	10	34
24311-000070	13	116
24311-000120	4	28
		61
	20	34
24311-000160	16	20
24311-000320	2	14
	4	62
	20	35
24314-000200	10	41
	20	36
24316-240100	10	20
	20	37
24321-000600	10	13
		42
	20	38
24321-000750	16	21
24321-000850	2	20
	20	39
24341-000480	14	22
24341-000530	9	10
	20	40
24351-030750	2	8
	20	41
24356-190200	13	70
		117
24356-240210	13	118
24372-000150	13	71
25152-004600	12	23
26014-080252	18	34
26106-060102	13	119
26106-060122	4	59
	13	137
26106-060162	11	27
	14	23
26106-060202	5	7
		8
26106-060252	14	29
26106-060352	13	120
26106-080122	3	12
	10	50
	11	8
		17

Parts No.	Fig. No.	Ref. No.
26106-080122	11	19
		28
	12	20
		53
26106-080142	4	79
26106-080162	2	9
		27
	4	82
	7	8
	10	21
		51
26106-080202	2	10
		16
	4	64
	6	10
	13	142
26106-080252	12	30
	14	24
26106-080302	13	143
26106-080352	6	20
	10	43
26106-080402	2	28
	4	45
	5	21
26106-080452	2	11
		17
	5	10
	6	21
26106-080502	12	25
26106-080552	6	22
	7	13
	12	21
		25
26106-080602	4	46
		47
26106-080652	18	35
26106-080702	2	29
26106-080752	2	18
26106-080802	5	11
26106-080902	5	22
26106-081004	18	32
26106-100202	2	21
	6	11
26106-100252	6	23
26106-100402	6	28
26106-101052	6	29
26106-120252	17	31
26116-050102	4	74
26116-060162	12	14
26206-100352	3	5

Parts No.	Fig. No.	Ref. No.
26206-100702	3	6
26216-060202	5	9
26216-100302	2	5
26226-080222	4	44
26306-080002	4	48
	6	12
		24
	8	4
	18	33
26306-100002	2	12
	18	27
	21	12
26366-060002	15	51
26450-100452	13	121
26577-060162	12	15
26716-050002	13	138
26776-180002	13	122
27241-160000	13	139
27241-300000	1	14
27241-400000	4	10
27310-070001	4	22
729900-02801	1	30
729907-01559	2	22
729927-22950	9	36
729928-01560	1	1
729928-22900	9	34
729928-53100	15	1
729949-51320	13	1
977770-1207F	20	43
X2240610100	17	23
X9490561001	18	3